

















Steering & Suspension Car Applications



INDICE - CONTENTS

	PAGINA - PAGE
DESCRIZIONE DEI PARTICOLARI - <i>ITEMS DESCRIPTION</i>	III
INDICE: MARCA - MODELLO – CONTENTS: <i>MAKE - MODEL</i>	V
ALFA ROMEO	1
AUDI	31
AUTOBIANCHI	125
BMW	128
CHEVROLET - DAEWOO	218
CHRYSLER	236
CITROEN	242
DACIA	316
DAIHATSU	320
FERRARI	338
FIAT	339
FORD	420
GENERAL MOTORS	500
HONDA	502
HYUNDAI	539
INNOCENTI	576
ISUZU	578
IVECO	587
JAGUAR	592
JEEP	603
KIA	614
LADA	645
LAMBORGHINI	651
LANCIA	652
LAND ROVER	675
LDV	697
LEXUS	698
MAN	705
MASERATI	706
MAZDA	708
MERCEDES	748
MINI	856
MITSUBISHI	866
NISSAN	922
OPEL	1008
PEUGEOT	1071
PIAGGIO	1156
PORSCHE	1158
RENAULT	1178
ROVER GROUP	1274
SAAB	1295
SEAT	1307
SKODA	1358
SMART	1399
SSANGYONG	1404
SUBARU	1410
SUZUKI	1423
TALBOT	1442
TESLA	1452
TOYOTA	1455
VAUXHALL	1538
VOLKSWAGEN	1571
VOLVO	1716
ZASTAVA	1746
CORRISPONDENZE CODICI - <i>CROSS REFERENCES:</i>	
CODICE ORIGINALE > CODICE OCAP - <i>ORIGINAL REFERENCE > OCAP REFERENCE</i>	1747
CODICE OCAP > CODICE ORIGINALE - <i>OCAP REFERENCE > ORIGINAL REFERENCE</i>	1926

DESCRIZIONE PARTICOLARI - ITEMS DESCRIPTION

CODICE - CODE	IMMAGINE - PICTURE	DESCRIZIONE - DESCRIPTION
01...		Testa sterzo Tie rod end
02...		Testa sterzo Tie rod end
03...		Leva sterzo, Braccio sterzo Idler arm, Pitman arm
03...		Braccio oscillante Track control arm
04...		Snodo sospensione Ball joint
05...		Barra sterzo Tie rod, Drag link
05...		Stabilizzatore Stabilizer link
06...		Snodo assiale Axial joint
07...		Braccio oscillante, lamiera Sheet metal control arm
09...		Kit di riparazione Repairing kit
-K		Kit pezzo completo Complete kit
1211...		Cuffia sterzo Steering gaiter
1214/15/16		Silent block Bushing
1249...		Staffa Bracket

MARCA / MODELLO MAKE / MODEL	PAG.
ALFA ROMEO	
ALFA 145 - 146	1-6
ALFA 147	9-11
ALFA 155	7-8
ALFA 156	9-11
ALFA 159	12-13
ALFA 164	14-15
ALFA 166	16-17
ALFA 33	18-19
ALFA 33 - ARNA	18-19
ALFA 6	20
ALFA 75 - 90	21
ALFA GT	9-11
ALFASUD	18-19
ALFETTA - GIULIETTA - GTV	21
AR 8 - 30 - 32 - 35 - 40	22
BRERA	12-13
GIULIA	23-24
GIULIETTA	25
GTV - SPIDER	26-27
MITO	28
SPIDER	12-13
STELVIO	29-30
AUDI	
100 - 100 AVANT - 100 QUATTRO	123-124
100 - 100 AVANT - 200	119-120
100 - 100 AVANT - 200 - 5000S USA	121-122
100 (CH. 51 000 051 >)	118
100 ALL MODEL (> CH. 41 131 612)	117
100 COUPE' S (> CH. 41 131 612)	117
100 QUATTRO - 200 QUATTRO	121-122
50	102-103
60 - 75 - 80 - S90	104
80 - 80 QUATTRO - 4000 USA	108-109
80 - 90	106-107
80 - 90 - 4000 (USA)	110-112
80 - FOX (USA)	105
80 QUATTRO - 90 QUATTRO	113-114
80/AVANT/QUATTRO	115-116
90 - 90 QUATTRO	108-109
A 1	31-33
A 1 SPORTBACK	31-35
A 2	36-38
A 3	39-48
A 3 SPORTBACK	42-48
A 4 / A4 AVANT / A4 QUATTRO	49-60
A 4 / AVANT / ALLROAD / QUATTRO	61-63
A 6 - A 6 AVANT - A 6 QUATTRO	64-71
A 6 - A 6 QUATTRO	72-75
A 6 ALLROAD	72-75
A 6 AVANT	72-75
A 7	76-77
A 8	78-85
A5 / A5 CABRIOLET / A5 SPORTBACK	57-60
A5 / CABRIOLET / SPORTBACK	61-63
CABRIOLET	115-116
COUPE'	87-88, 108-109
COUPE' QUATTRO	86
COUPE' QUATTRO - S2	87-88
Q3	89-90
Q5	91-93
Q7	94-96
TT	97-100
TT ROADSTER	99-100

MARCA / MODELLO MAKE / MODEL	PAG.
V 8	101
AUTOBIANCHI	
A 112	125-126
Y 10	127
BMW	
1	133-134
1.502 > 2.002	129
116 i > 120 i	130-132
118 i > 123 d	130-132
2 ACTIVE TOURER	135-136
2 CABRIOLET	133-134
2 COUPE'	133-134
2 GRAN TOURER	135-136
2.000 > 3.0 COUPE'	128
2.500 > 3.3	128
3	150-155
3 CABRIOLET	150-153
3 CABRIOLET M3	148-149
3 COUPE'	150-153
3 COUPE' M3	148-149
3 GT	154-155
3 TOURING	150-155
316 > M3	139-141
316 i > M3	142-147
318 > 323 i	137-138
4 CABRIOLET	156-157
4 COUPE'	156-157
5	174-175
5 TOURING	174-175
518 i > M 5	159-160
518 i > M 535 i	158
518 i > M5	161-163
520 i > 545 i	168-170
520 i/d > 530 i/d	164-165
520d > 550i	171-173
520Li > 535Li	171-173
525 d > 545 i	168-170
535 i - 540 i	166-167
6 CABRIOLET (640 i > 650 i)	181-183
6 COUPE' (640 i > 650 i)	181-183
6 GRAN COUPE' (640 i > 650 i)	181-183
628 CSi > 635 CSi	158
628 CSi > M 635 CSi	159-160
630 i > 650 i	179-180
728 i/S > 745 i	184-185
730 d > 760 i	191-192
730 i - 740 i - 750 i	188-190
730 i > 750 i	186-187
730 i > 760 i	193-195
730 Li > 760 Li	191-192
840 Ci - 850 i/Ci/CSi	196
CABRIO	129
GRAN TURISMO - 535i > 550i	176-178
M 5	166-167
TOURING	129
520 i/d > 530 i/d	164-165
540 i	166-167
X1	199-200
X1 - sDrive 18 i > xDrive 28 i	197-198
X2	199-200
X3 2.5 i > 3.0 d	201-202
X3 xDrive 20 i > 35 d	203-204
X4 xDrive 20 i > 35 d	203-204

MARCA / MODELLO MAKE / MODEL	PAG.	MARCA / MODELLO MAKE / MODEL	PAG.
X5	208-210	C4 GRAND PICASSO	268-270
X5 3.0 i > 4.8 is	205-207	C-CROSSER	285
X6	208-210	C-ELYSEE	286
Z1	211	CX 2000/2200/2400 - (NORMAL TRACK)	282-283
Z3 1.8 > M 3.2	212-213	CX 2000/2200/2400 - (WIDE TRACK)	284
Z3 Coupé - 2.8 > M	212-213	DS3	258
Z4 2.2 i - 3.0 i	214-215	DS4	264
Z4 Coupé - 3.0 Si > M	214-215	EVASION	292
Z4 II - sDrive 18 i > 35 is	216-217	GS - GSA	287
CHEVROLET - DAEWOO		JUMPER	290-291
AVEO	218-219	JUMPER - C 25	288-289
CAPTIVA	220	JUMPY	292-293
CRUZE	221	LNA 11 E - 11 RE	294
CRUZE 2	221	NEMO	295
CRUZE SW	221	SAXO	296-298
EPICA	222	VISA (652 - 1219 - 1360)	299
ESPERO - NEXIA	223	VISA (652 - 1224 - 1360 - 1719 - DIESEL)	300-301
EVANDA	226	VISA GTI (1580 cc)	302
KALOS	224	XANTIA	303-304
KORANDO	225	XM	305-306
LACETTI	230	XSARA	307-308
LANOS	223	XSARA (EXCEPT PICASSO)	309-310
LEGANZA	226	XSARA PICASSO	311-312
MATIZ	227-228	ZX	313-315
MUSSO	225	DACIA	
NUBIRA	229-230	DOKKER	316
ORLANDO	231	DOKKER EXPRESS	316
SPARK	228, 232	DUSTER	317
TACUMA - REZZO	233	LODGY	316
TICO	234	LOGAN	318-319
TRAX	235	LOGAN MCV	318-319
CHRYSLER		SANDERO	318-319
300 C	240-241	DAIHATSU	
GRAND VOYAGER V	239	APPLAUSE I	320
PT CRUISER	236	APPLAUSE II	320
PT CRUISER CABRIOLET'	236	CHARADE I	321
VOYAGER III	237	CHARADE II	322
VOYAGER IV	238	CHARADE III	323
CITROEN		CHARADE IV	323
AX	242-243	CHARMANT	324-325
AX GTI	244-245	CUORE I	326
AXEL - OLTCIT (RUMENIAN VERSION)	246	CUORE II	327
BERLINGO	247-248, 253	CUORE III	327
BERLINGO (EXCEPT 2000 HDI TD)	249-250	CUORE IV	328
BERLINGO 2000 HDI TD	251-252	CUORE V	329
BX	254	CUORE VI	329
C 1	255-256	CUORE VII	329
C 15	277-278	GRAN MOVE 1,5 16V	330
C 2 - C 3	257	GRAN MOVE 1.6 16V	330
C 25	279-280	HIJET	331
C 3 II	258	HIJET I	332
C 3 III	259-260	HIJET II	332
C 3 PICASSO	261	MOVE	328
C 35	281	ROCKY - RUGGER	333
C 4	262-264	SIRION	334-335
C 4 AIRCROSS	265-266	TERIOS	336-337
C 4 PICASSO	268-270	FERRARI	
C 5	271-273	328-348-MONDIAL-412-TESTA ROSSA	338
C 5 BREAK	272-273	F355-456-F512-F50	338
C 6	274-275	FIAT	
C 8	276	1100 TN/TN1/T4 - 217 D	412
C4 CACTUS	267		

MARCA / MODELLO MAKE / MODEL	PAG.	MARCA / MODELLO MAKE / MODEL	PAG.
124 /S/ST - 124 FAM. - SEAT	403	COUGAR	422-423
124 SPORT COUPE'/SPYDER - SEAT	403	ECOSPORT	424-425
125/SPECIAL - SEAT	409	ESCORT	427-431
126 - 126 PERSONAL - 126 BIS	404	ESCORT - CAPRI II	426
127 - 127 PANORAMA - SEAT - 147	405-406	FIESTA	432-435, 440-443
128 /C/CL/PANORAMA - SEAT	407-408	FIESTA - COURIER	436-439
128 FAMILIARE	407-408	FIESTA VAN	440-442
1300 - 1500 - SEAT	409	FOCUS	444-450
131 - SEAT	410	FOCUS C-MAX	446-448
132 - 132 DIESEL - SEAT	411	FUSION	440
238	413	GALAXY I	451-452
241 - 241 TN	412	GALAXY II	453-454
242	412	GALAXY III	455-456
500	414-415	GRANADA - NOUVELLE GRANADA	420
500 L	416	GRAND C-MAX	449-450
500 X	417-418	GRAND TOURNEO CONNECT	486
600 D/E - SEAT	419	KA	457-459
600 T - 850 FAMIL. - 900 T	419	KUGA	460-462
850 SPECIAL/COUPE'/SPYDER/SPORT	419	MAVERICK	463
ARGENTA - ARGENTA DIESEL - SEAT	411	MONDEO I	464-465
BARCETTA	339	MONDEO II	466-467
BRAVO	343	MONDEO III	468-469
BRAVO - BRAVA	340-342	MONDEO IV	470-471
CAMPAGNOLA (NUOVA CAMPAGNOLA)	344	MONDEO V	472
CINQUECENTO	345	ORION	428-431
COUPE'	346-347	PAMPA - VAN - DEL REI - SCALA	421
CROMA	348-352	PUMA	473
DOBLO'	353-356	RANGER I	474-475
DUCATO	359-362	RANGER II	476
DUCATO - TALENTO	357-358	SCORPIO - SCORPIO 4WD	477-478
DUNA - UNO CS - PREMIO	363	SCORPIO - SCORPIO SW	479
FIORINO	363-365	SIERRA - SIERRA 4WD	480-481
FREEMONT	366	S-MAX I	453-454
GRANDE PUNTO	383	S-MAX II	455-456
IDEA	367	STREET KA	482
LINEA	368	TAUNUS L/LX/GT/GXL	483
MAREA - MARENGO	369	TOPAZ - MERCURI TOPAZ	484
MULTIPLA	370	TOURNEO CONNECT	485-486
PALIO 2V - WEEKEND - RESTYLING	373-374	TOURNEO COURIER	487
PALIO 2V - WEEKEND - SIENA	371-372	TOURNEO CUSTOM	498-499
PANDA	375-379	TRANSIT	488-497
PUNTO	380-383	TRANSIT CONNECT	485-486
PUNTO EVO	383	TRANSIT COURIER	487
QUBO	365	TRANSIT V363	498-499
RAYTON FISSORE MAGNUM	384		
RITMO - REGATA	385-386	GENERAL MOTORS	
SCUDO	387-389	CHEVETTE - HATCH - MARAJO'	500
SEDICI	390-391	MONZA	501
SEICENTO	345		
SIENA	373-374	HONDA	
STILO	392-393	ACCORD I	502
STILO MULTI WAGON	392-393	ACCORD II	502
STRADA	394	ACCORD III	503
TIPO - EGEEA (AEGEA)	397	ACCORD IV	504
TIPO - TEMPRA	395-396	ACCORD V	505
ULYSSE	398-399	ACCORD VI	506
UNO	400-401	ACCORD VII	507-508
UNO MONDO	400-401	ACCORD VII TOURER	507-508
X 1/9	402	ACCORD VIII	509
		BALLADE	510
FORD		CIVIC ATCHBACK (BALLADE) - SHUTTLE	511
B-MAX	441-442	CIVIC I	510
C-MAX	446-450	CIVIC II	510
CONSUL	420	CIVIC III	511
CORCEL I-II - BERLINA I-II	421	CIVIC IV	512
CORTINA MH III/MK IV	483		

MARCA / MODELLO MAKE / MODEL	PAG.
CIVIC SHUTTLE	512
CIVIC V	513
CIVIC VI	514-515
CIVIC VII	516
CIVIC VIII	517-518
CONCERTO	519
CR-V I	520
CR-V II	521
CR-V III	522
CR-V IV	523
CRX I	511
CRX II	512
CRX III	513
HR-V	524
INTEGRA	536
JAZZ I	525
JAZZ II	526
JAZZ III	527
LEGEND - ACURA - REGEND	528
LEGEND II	529
LEGEND II COUPE'	529
LEGEND III	530
LOGO	531
PRELUDE	532-535
QUINTET	536
S2000	538
SHUTTLE	505
STREAM	537

HYUNDAI

ACCENT	539-541
ATOS	542
ATOS PRIME	542
COUPE	544, 560
CRETA	543
ELANTRA	544
GALLOPER II	545
GETZ	546
H-1	547-548
H100	549
i10	550-551
i20	552-553
i30	554-555
i30 COUPE'	555
i30 CW	554-555
i40	556
i40 CW	556
ix20	557
ix35	558
LANTRA I	559
LANTRA II	560
MATRIX	561
PONY	562
PONY - EXCEL I	562
PONY - EXCEL II	563
S COUPE	563
SANTA FE' I	564
SANTA FE' II	565
SONATA II - SONICA II	566
SONATA III - SONICA III	567
SONATA IV	568-570
SONATA V	571-572
STAREX	547
TERRACAN	573
TRAJET	574
TUCSON	575

MARCA / MODELLO MAKE / MODEL	PAG.
XG (25 - 30)	568-569

INNOCENTI

ELBA	576
JM3 - J4 - J5	577
MINIMINOR - 90 - 120 DE TOMASO	577
NEW MINI 3 CILINDER	577

ISUZU

AMIGO	578
BIGHORN	583-584
BUS	579
CAMPO	578
D-MAX	580
ELF - ELF ROUTE VAN	579
FASTER	581
FASTER 4WD	581
PANEL TRUCK	582
PICK-UP FASTER - LUV	583-584
PICK-UP FASTER 4WD - LUV 4WD	583-584
TROOPER I	585
TROOPER II	586
TROOPER III	586

IVECO

DAILY	588-591
DAILY - 30.8 > 59.12	587

JAGUAR

S-TYPE	592-595
XF	598-599
XJ	602
XJ12	600-601
XJ6	600-601
XJ8	601
XK CABRIOLET	602
XK COUPE'	602
XK8 CONVERTIBLE - XK8 COUPE	601
X-TYPE	596-597

JEEP

CHEROKEE	603-605
COMPASS	606
GRAND CHEROKEE I	607
GRAND CHEROKEE II	608
GRAND CHEROKEE III	609
PATRIOT	606
RENEGADE	610-611
WRANGLER	612-613

KIA

BESTA	614
CARENS I	615
CARENS II	615
CARENS III	616
CARNIVAL I	617
CARNIVAL II	617
CARNIVAL III	618
CEE'D	619-620
CERATO	621
CLARUS	622
CLARUS SW	622
K2500	623
K2700	623

MARCA / MODELLO MAKE / MODEL	PAG.	MARCA / MODELLO MAKE / MODEL	PAG.
MAGENTIS	624-626	RANGE ROVER EVOQUE CABRIOLET	692
OPIRUS	624-625	RANGE ROVER I	687
PICANTO	627-629	RANGE ROVER II	688
PREGIO	630	RANGE ROVER III	689
PRIDE	631	RANGE ROVER IV	690-691
PRO CEE'D	619-620	RANGE ROVER SPORT	693-696
RETONA	641	LDV	
RIO I	632	MAXUS	697
RIO II	633	LEXUS	
RIO III	634	ES 350	698
SEPHIA	635	GS	702
SHUMA I	636	GS 300-430	699
SHUMA II	636	IS I	700-701
SORENTO I	637-638	IS II	702
SORENTO II	639	IS SPORTCROSS	700-701
SOUL	640	RX 300	703
SPORTAGE	641-643	RX 300-350-400	704
VENGA	644	MAN	
LADA		TGE	705
110 - 111 - 112	650	MASERATI	
GRANTA	645	3200 GT	707
KALINA	645	BITURBO /S	706
NIVA	646	GHIBLI	706
NIVA II	646	QUATTROPORTE	706
PRIORA	647	SPYDER COUPE'	707
PRIORA SW	647	SPYDER GT CABRIOLET	707
SAMARA	648	MAZDA	
ZIGULI 1200/1300/1500/1600	649	121 I	708
LAMBORGHINI		121 II	708
400 GT	651	121 III	709
LANCIA		2	710-711
DEDRA	652-653	3	712-713
DELTA	660	323 I	714
DELTA - PRISMA	654-656	323 I - FAMILIA	715
DELTA 1.4/1.6/1.8/2.0 16V	658	323 II - FAMILIA	716
DELTA HF EVO INTEGRALE	657	323 III - FAMILIA	717
DELTA HF INTEGRALE	657	323 IV	718
DELTA TURBO DIESEL - 2.0 16V TURBO	659	323 V	719
FULVIA	661	323 VI	720
GAMMA	661	5	712-713
KAPPA	662-663	6	721-722
LYBRA	664	6 SPORT	722
MUSA	665	6 SPORT KOMBI	722
PHEDRA	666	626	727
THEMA	667-668	626 - CAPELLA	723, 726
THESIS	669	626 - CAPELLA - TELSTAR (FORD)	724-725
Y	670-671	929 - LUCE - RX4 - RX9	728-729
YPSILON	672-673	B 2.5 - 2.6	731
ZETA	674	B1600 > B2600 (PICK-UP)	731
LAND ROVER		BONGO	730
DEFENDER	675	BT-50	732
DISCOVERY I	676-677	CX-7	733
DISCOVERY II	678-679	DEMIO	734
DISCOVERY III	680-681	E2000 - E 2200	730
DISCOVERY IV	680-681	FAMILIA - PRESTO	714
DISCOVERY SPORT	682	GRAND FAMILIA - STC	735
FREELANDER	683-684	LASER (FORD)	715-717
FREELANDER II	685	MPV I	736
LANDROVER 88 - 109	686	MPV II	736
LANDROVER 90 - 110	686	MX-3	737
RANGE ROVER EVOQUE	692		

MARCA / MODELLO MAKE / MODEL	PAG.	MARCA / MODELLO MAKE / MODEL	PAG.
MX-5 I	738	SL CLASS (300 SL > 600 SL)	828-830
MX-5 II	739-740	SL CLASS (SL 350 > SL 65 AMG)	831-833
MX-5 III	741	SLC CLASS	838
MX-6	742	SLK CLASS	834-838
PREMACY	743	SPRINTER	840-843
PROCED - COURIER - B 1600 > B 2200	744	VANEO	844
RX7 I	745	VARIO	
RX7 II	745	512 D > 818 D	852
RX7 III	745	V-CLASS	849-850
TRIBUTE	746	VITO	845-846, 849-850
XEDOS 6	747	VITO - VIANO	847-848
		VITO / MIXTO	847-848
MERCEDES		MINI	
190 (E 1.8 - E 2.6)	761-764	CABRIO (ONE - COOPER - COOPER S)	856-858
190 > 230	748	CABRIOLET	861-862
200 > 300	752-754	CABRIOLET ONE - COOPER	859-860
200 D > 230.4	750-751	CLUBMAN	865
207 D - 210 D	853-854	CLUBMAN ONE - COOPER	859-860
220 B > 3.5 SE	748	COOPER S	856-858
230 SL > 280 SL	749	COUNTRYMAN	863-865
230.6 > 280 CE	750-751	COUPE' - ROADSTER	859-860
250 S > 300 SEL	748	ONE - COOPER	859-862
307 D - 310 D	853-854	ONE - ONE D - COOPER	856-858
407 D - 410 D	853-854	PACEMAN	863-864
507 D > 510	852		
A CLASS	757-760	MITSUBISHI	
A CLASS (A 140 > A 210)	755-756	ASX	866-867
B CLASS	757-760	CANTER	868
C CLASS	768-776	CARISMA	869-872
C CLASS (C 180 - C 280)	765-767	COLT I - MIRAGE	886
C CLASS CABRIOLET	774-776	COLT II	873
C CLASS COUPE'	774-776	COLT III	874
C CLASS T-MODEL	768-776	COLT IV	875
CITAN	839	COLT V	876
CLA CLASS	777-778	COLT VI	877
CLA SHOOTING BRAKE	777-778	COLT VII	877
CLK CABRIOLET CLASS	779-780	CORDIA - TREDIA	918
CLK CLASS	768-770, 779-780	ECLIPSE I	882
CLS CLASS	781, 791-793	ECLIPSE II	882
E 4 MATIC CLASS	789-790	GALANT - ETERNA	881
E 4 MATIC CLASS T-MODEL	789-790	GALANT - SAPPORO - ETERNA	878-880
E CLASS	782-788, 791-797	GALANT V	882
E CLASS T-MODEL	782-788, 791-797	GALANT VI	883
G CLASS (230G > 300GD)	798	L100	890
G CLASS (230GE > G290TD)	799	L200 - FORTE	891
G CLASS (230GE > G400CDI)	799	L200 (2WD)	892-893
GL CLASS (GL 320 > GL 500)	806-808	L200 4WD	895-896
GL CLASS (GL 350 > GL 63 AMG)	809-811	L200 4WD - FORTE 4WD	894
GLA CLASS	777-778	L300 - DELICA	897-899
GLC CLASS	800-801	L300 4WD - DELICA	900
GLC COUPE' CLASS	800-801	LANCER	884
GLK CLASS (GLK 200 - GLK 350)	802-803	LANCER - EX (MK III) - COLT	885
L 406 D/DG > L 410 D/DG	851	LANCER - FIORE	886
L 508 DG > 608 D	851	LANCER - VAN	884
M CLASS (ML 230 > ML 430)	804-805	LANCER CELESTE	884
M CLASS (ML 280 > ML 500)	806-808	LANCER III - LANCER III SW - MIRAGE	873
M CLASS (ML 300 > ML 63 AMG)	809-811	LANCER IV - LANCER IV SW - MIRAGE	874
MB 100 - MB 120 - MB 140	855	LANCER V - LANCER V SW - MIRAGE	875
MB 160 - MB 180	855	LANCER VI - LANCER VI SW	876
R CLASS (R 350 > R 500)	812-813	LANCER VII	887
S CLASS (260 SE > 560 SEC)	816-817	LANCER VIII	888-889
S CLASS (280 S > 450 SEL 6.9)	814-815	LANCER VIII SPORTBACK	888-889
S CLASS (300 SE > 600 SEC)	818-820	MINICAR - PICK-UP-WAGON	900
S CLASS (S 280 > S 600)	821-823	OUTLANDER	901
S CLASS (S 350 > S 600)	824-826		
SL CLASS (280 > 500)	827		

MARCA / MODELLO MAKE / MODEL	PAG.	MARCA / MODELLO MAKE / MODEL	PAG.
OUTLANDER II	902	TSURU I - SENTRA I	996
OUTLANDER III	903-904	TSURU II - SENTRA II	996
PAJERO I	905	TSURU III - SENTRA III	997
PAJERO II - MONTERO II	906-907	URVAN	998-1000
PAJERO III	908-909	VANETTE	1001-1002
PAJERO IV	910-911	VANETTE CARGO	985
PAJERO PININ	912	VIOLET	1003-1004
PAJERO SPORT III	896	X-TRAIL	1005-1007
SIGMA	913		
SIGMA SW	913		
SPACE RUNNER	914-915		
SPACE STAR	916-917		
SPACE WAGON	919-920		
SPACE WAGON - CHARIOT	918		
STARION	921		
NISSAN		OPEL	
100 NX	922	ADAM	1008
280 ZX	923	AGILA	1009
300ZX	923	AGILA II	1010
ALMERA I	924	ANTARA	1011
ALMERA II	925	ASCONA	1013-1014
ALMERA TINO	926	ASCONA - MANTA	1012
ATLEON	927	ASTRA	1015-1024
AUSTER	928-929	ASTRA SPORTS TOURER	1022-1024
BLUEBIRD	930-933	BEDFORD BLITZ	1025
CABSTAR	935-936	CALIBRA	1015-1017
CABSTAR - HOMER	934	CAMPO	1034
CHERRY	937	COMBO	1031-1032
CUBE	938	COMMODORE	1059-1060
INTERSTAR	939	COMMODORE - G.M. OPALA	1058
JUKE	940	CORSA	1026-1033
KUBISTAR	941	FRONTERA - MONTEREY	1034-1035
LAUREL	942-943	GRANDLAND X	1036
MAXIMA	945	INSIGNIA	1037-1038
MAXIMA 810	944	INSIGNIA SPORTS TOURER	1037-1038
MAXIMA QX	946	KADETT	1039, 1043
MICRA	947-950	KADETT - > CH. 2500000	1041
MICRA L-LX-SLX	947-948	KADETT - > CH. 5000090	1041
MURANO	951-952	KADETT - 1.0 - 1.2 - CITY	1040
NAVARA	958-959	KADETT - CH. 2500001 >	1042
NOTE	949-950	KADETT - CH. 5000091 >	1042
NV200 - EVALIA	953	KADETT - OLIMPIA	1039
NV300	954	MANTA	1013
NV400	955-956	MERIVA	1044-1046
PATHFINDER	957-959	MOKKA - MOKKA X	1047-1048
PATROL	960-962	MOVANO	1049-1052
PICK UP	963-968	OMEGA	1053-1056
PIXO	969	REKORD	1057-1060
PLATINA	970	SENATOR	1053-1054
PRAIRIE	971	SENATOR - MONZA	1060
PRIMASTAR	972	SIGNUM	1063-1064
PRIMERA	973-977	TIGRA	1027-1032
PULSAR - LANGLEY - LIBERTA	978-980	VECTRA	1015-1017, 1061-1064
QASHQAI	981-982	VIVARO	1065-1067
QASHQAI II	983-984	ZAFIRA	1018-1019
SERENA	985	ZAFIRA B	1068-1069
SILVIA - GAZELLE	986	ZAFIRA TOURER C	1070
SKYLINE	931		
STANZA	928-929		
SUNNY	987-992		
SUNNY TRUCK	987		
TERRANO I	993		
TERRANO II	994		
TIIDA 2 VOLUMI (HATCHBACK)	995		
TIIDA 3 VOLUMI (SALOON)	995		
		PEUGEOT	
		1007	1086
		104	1087-1088
		106	1089-1091
		107	1092
		108	1093
		2008	1104
		204	1094
		204 - 304	1094
		205	1095-1096
		205 GTI - RALLYE	1095-1096
		206	1097-1099
		207	1100-1101

MARCA / MODELLO MAKE / MODEL	PAG.	MARCA / MODELLO MAKE / MODEL	PAG.
208	1102-1103	AVANTIME	1179
3008	1121-1122	CAPTUR	1181
3008 SUV	1152	CLIO	1182-1189
301	1105	CLIO GRANDTOUR	1189
304	1106	ESPACE	1190-1194
305	1108-1109	FLUENCE	1195
305 (EXCEPT XU ENGINE)	1110-1111	FUEGO - R20	1238-1239
305 (XU ENGINE)	1112-1113	GRAND MODUS	1188
305 (MANUAL STEERING)	1107	GRAND SCENIC IV	1258
306	1114-1118	KADJAR	1196-1197
307	1119-1120	KANGOO	1198-1200
308	1121-1124	KANGOO / GRAND KANGOO	1201
308 SW	1123-1124	KANGOO BE BOP	1201
309	1125-1126	KANGOO EXPRESS	1201
309 GTI (130 CV)	1125-1126	KANGOO RAPID	1198-1200
4007	1153	KOLEOS	1202
4008	1154-1155	LAGUNA	1203-1206
404	1127	LATITUDE	1207
405	1128-1131	MASTER	1208-1212
406	1132-1133	MEGAN GRANDTOUR	1217-1221
407	1134-1136	MEGANE	1213-1221
5008	1121-1122	MEGANE CLASSIC - SCENIC	1213-1216
5008 II	1152	MEGANE SW	1213-1216
504	1137	MODUS	1188
504 - 505 - 604	1138-1139	R 12 - R 15 - R 17	1231
508	1140-1143	R 14	1232-1234
508 SW	1140-1143	R 16	1235
605	1144-1147	R 18	1236-1239
607	1148-1149	R 19	1240-1241
806	1150	R 19 - 16 V	1242-1243
807	1151	R 20	1244
BIPPER	1071	R 20 TD - R 30 TURBO DIESEL	1248
BOXER	1072-1075	R 20 TL	1245
EXPERT	1076, 1150	R 20 TS	1246
J5	1077-1078	R 20 TX	1247
J7	1079	R 21	1249-1250
J9	1079	R 21 DIESEL	1251
PARTNER	1085	R 25	1252
PARTNER - RANCH	1080-1084	R 30 TS/TX	1247
PIAGGIO		R 4 - R 6	1222-1225
POKER	1156	R 5	1226-1228
PORTER	1157	R 9 - R 11	1229-1230
PORSCHE		RAPID (VAN) - RODEO	1260-1261
901 - 911	1158	SAFRANE	1253
911	1162-1163	SCENIC I	1254-1255
911 - 911 CABRIO - 911 TARGA	1158	SCENIC II	1256
911 - CARRERA - TURBO - CABRIOLET	1160	SCENIC III - GRAND SCENIC III	1257
911 - TARGA - CABRIO	1161	SCENIC IV	1258
911 3.3 TURBO	1159	SG2 - SG4	1259
914	1164	SUPER 5 - EXPRESS - EXTRA	1260-1261
924 - 924 TURBO	1165	TALISMAN	1194
928	1166	TALISMAN GRANTOUR	1194
944 - 944 CABRIO	1167	THALIA I - SYMBOL I	1262-1263
968	1167	THALIA II - SYMBOL II	1262-1263
BOXSTER	1168-1169	THALIA III - SYMBOL III	1264
CAYENNE	1170-1173	TRAFIC	1265-1269
CAYMAN	1169	TWINGO	1270-1271
MACAN	1174-1175	TWINGO II	1272
PANAMERA	1176-1177	TWINGO III	1273
RENAULT		VEL SATIS	1179
A21.1 - A31.1 - A21T - A31T	1180	ROVER GROUP	
ALIANCE	1178	111 - 112 - 114	1284-1285
		2000 > 3500	1286
		213 SE - 216/VITESSE EFi	1287
		214 > 220	1288

MARCA / MODELLO MAKE / MODEL	PAG.	MARCA / MODELLO MAKE / MODEL	PAG.
25	1289	FABIA STATION WAGON	1366
414 > 420	1288, 1290-1291	FELICIA	1367-1368
45	1290-1291	KAROQ	1369-1370
618 > 623	1292	KODIAQ	1371-1372
75	1293	OCTAVIA	1373-1382
820 > 827	1294	RAPID	1383-1384
ALLEGRO - REGENT	1274	ROOMSTER	1385-1387
FAIRWAY	1275	SUPERB	1388-1395
FAIRWAY DRIVER	1275	SUPERB SW	1391-1395
FX4 - > CH. 66662	1275	YETI	1391-1393
FX4 - CH. 66663 >	1275		
MAESTRO	1277	SMART	
METRO	1278-1279	CABRIO	1399
MINI	1280	CITY COUPE'	1399
MONTEGO	1277	FORFOUR	1402-1403
SHERPA	1281	FORTWO	1399
TAXI	1276	FORTWO CABRIO	1400
TOURER	1282-1283	FORTWO COUPE'	1400-1401
		ROADSTER	1399
SAAB		SSANGYONG	
90	1296	ACTYON	1404
900	1296-1298	KORANDO	1405
9000	1305-1306	KYRON	1406-1407
9-3	1298-1300	MUSSO	1405
93 - 95 - 96	1295	REXTON	1408-1409
9-5	1301-1304		
99	1295-1296	SUBARU	
SEAT		FORESTER	1413
133	1357	FORESTER I	1410-1411
ALHAMBRA	1307-1310	FORESTER II	1412
ALTEA	1343-1346	IMPREZA 2V	1419
ALTEA XL	1343-1346	IMPREZA I	1410-1411
ARONA	1311-1312	IMPREZA II	1412
AROSA	1313-1317	IMPREZA III	1419
ATECA	1318-1320	JUSTY	1414-1417
CORDOBA	1326-1328, 1331-1334	LEGACY I	1410-1411
CORDOBA VARIO	1329-1330	LEGACY II	1412
EXEO	1321-1322	LEGACY III	1418
EXEO ST	1321-1322	LEGACY IV	1418
FURA	1323	LEGACY V	1419
IBIZA I - MALAGA I	1324-1325	LEONE	1420
IBIZA II	1326-1330	LEONE I	1420
IBIZA III	1331-1334	LEONE II	1421
IBIZA IV	1335-1337	MV PICKUP 4WD	1421
IBIZA SPORTCOUPE' IV	1335-1337	OUTBACK	1418, 1422
IBIZA ST IV	1335-1337	SHIFTER PICKUP 2WD	1421
IBIZA V	1338-1339		
LEON	1340-1349	SUZUKI	
LEON SC	1347-1349	ALTO I-II	1423
MARBELLA - TERRA	1350-1351	ALTO III	1423
Mii	1352-1353	ALTO IV-V	1423
RONDA	1354	ALTO VI	1423
TOLEDO	1340-1346	ALTO VII	1424
TOLEDO 2.0 - 16 V	1355-1356	BALENO	1425
TOLEDO I (EXC. 2.0-16V)	1326-1328	CARRY	1426-1427
TOLEDO IV	1335-1337	GRAND VITARA	1428-1429
SKODA		IGNIS	1430
100 - 105 - 110 - 120	1396	IGNIS II	1430
130 L	1396	JIMNY	1431
135 FAVORIT	1397-1398	LIANA	1432
135 FORMAN	1397-1398	SAMURAI	1433
CITIGO	1358-1359	SPLASH	1436
FABIA	1360-1366	SUPER CARRY	1426
		SWIFT I	1434

MARCA / MODELLO MAKE / MODEL	PAG.	MARCA / MODELLO MAKE / MODEL	PAG.
SWIFT II	1435	LAND CRUISER 100	1512
SWIFT III	1436	LAND CRUISER 120	1513-1514
SWIFT IV	1437	LAND CRUISER 80	1510
SX4	1438	LAND CRUISER 90	1511
VITARA	1439	LITEACE	1516
VITARA V6	1440	LITEACE VAN - LITEACE WAGON	1515
WAGON R+	1441	MR 2	1517-1518
TALBOT		PASEO	1519
1300 - 1500	1450	PICNIC	1520
1301 - 1501	1450	PREVIA	1521-1522
1307 - 1308 - 1510	1451	PRIUS	1523
AVENGER	1442	RAV 4 I	1524
CRYSLER160-180	1442	RAV 4 II	1525
HORIZON	1443	RAV 4 III	1526
HUNTER - MINX - SCEPTRE - GAZELLE	1444	RAV 4 IV	1527
MATRA-BAGHEERA-RANCHO	1445	SPACE CRUISER 2WD	1528
SAMBA	1446	STARLET	1529-1530
SIMCA 1000	1447	SUPRA	1531
SIMCA 1000 - 1005 - 1006	1447	TERCEL	1532-1533
SIMCA 1100	1448	URBAN CRUISER	1534
SIMCA COUPE' 1200	1447	VERSO	1535
SIMCA SUNBEAM	1442	YARIS	1536
SOLARA	1451	YARIS II	1537
TAGORA	1449	YARIS III	1537
VOGUE - RAPIER - ALPINE - PAYKAN	1444	YARIS VERSO	1536
TESLA		VAUXHALL	
MODEL S	1452-1453	AGILA	1538
MODEL X	1454	AGILA II	1539
TOYOTA		ASTRA	1540-1545
4 RUNNER	1455-1456	BEDFORD BLITZ	1546
AURIS	1457	CALIBRA	1542
AVENSIS I	1458	CARLTON	1547-1549
AVENSIS II	1459	CAVALIER	1542, 1550-1551
AVENSIS III	1460	CHEVETTE	1552
AVENSIS VERSO	1461	COMBO	1557
AYGO	1462-1463	CORSA	1553-1554, 1557
CAMRY	1466-1467	CORSA - TIGRA	1555-1556
CAMRY - VISTA	1464-1465	FIRENZA	1569
CARINA	1470	FRONTERA - MONTEREY	1558-1559
CARINA E	1471	MAGNUM	1569
CARINA I	1468	MERIVA	1560
CARINA II	1468-1469	MOVANO	1561
CELICA	1468, 1472-1473	NOVA	1562
C-HR	1474	OMEGA	1563-1564
COROLLA	1481-1484	SIGNUM	1567-1568
COROLLA - SPRINTER	1475-1478, 1480	TIGRA	1553-1554
COROLLA II - CORSA - TERCEL	1479	VECTRA	1565-1568
COROLLA VERSO	1483, 1485	VIVA	1569
CORONA	1486-1492	VIVARO	1570
CROWN	1493-1495	ZAFIRA	1543
HIACE	1496	VOLKSWAGEN	
HIACE III	1498	> CH. 70-S-002 791	1701-1704
HIACE IV	1499	1200 - 1300 - 1500	1710
HIACE TRUCK	1496-1497	1200 A - 1300 A	1710
HIACE VAN - VAGON - COMMUTER	1497	1200 EXPORT/GHIA	1709
HILUX I-II	1500	1200 STANDARD/EXPORT	1709
HILUX III PICK-UP	1501	1302 - 1302 S	1711
HILUX IV-V-VI PICK-UP	1502-1503	1303 / A / S	1712-1713
HILUX IV-V-VI PICK-UP 4WD	1504	1600 L - TL - VARIANT	1714-1715
HILUX VII PICK-UP	1505-1506	AMAROK	1571-1572
HILUX VIII PICK-UP	1507	BEETLE	1573-1574
LAND CRUISER	1508-1509	BORA	1575-1577
		CADDY	1578-1579

MARCA / MODELLO MAKE / MODEL	PAG.	MARCA / MODELLO MAKE / MODEL	PAG.
CADDY I	1591-1592	VENTO	1599-1600
CADDY III	1605-1609	VOLVO	
CADDY IV	1605-1609	142 - 144 - 145 - 146	1735
CC	1580-1582	242 - 244 - 245 - 264 - 265	1736-1738
CORRADO	1593-1595	343 - 344 - 345	1739
CRAFTER	1583-1585	440 - 460	1740-1741
FOX	1586-1589	480	1740-1741
GOL	1590	66 - 66 STATION WAGON	1742
GOLF ALLTRACK	1613-1615	740 - 760	1743-1744
GOLF I - CARIBE	1591-1592	780 COUPE'	1743-1744
GOLF II	1593-1595	850 - 850 STATION WAGON	1745
GOLF III	1596-1598	940 - 960	1743-1744
GOLF III CABRIOLET	1596-1598	C30	1716-1717
GOLF III GTI/ GTI 16V/VR6	1599-1600	C70	1721-1723, 1728-1729
GOLF III VARIANT	1596-1598	S40 I - V40	1718-1720
GOLF IV	1601-1604	S40 II	1721-1723
GOLF IV CABRIOLET	1601-1604	S60	1724-1727
GOLF IV VARIANT	1601-1604	S70	1728-1729
GOLF PLUS	1610-1612	S80 I	1724-1725
GOLF SPORTSVAN	1613-1615	S80 II	1726-1727
GOLF V	1605-1609	S90 - V90	1730
GOLF V VARIANT	1605-1609	V50	1721-1723
GOLF VI	1610-1612	V60	1726-1727
GOLF VI CABRIOLET	1610-1612	V70	1728-1729
GOLF VI VARIANT VI	1610-1612	V70 II	1724-1725
GOLF VII	1613-1615	V70 III	1726-1727
GOLF VII VARIANT	1613-1615	XC60	1732-1733
JETTA I	1591-1592	XC70	1731-1733
JETTA II	1593-1595	XC90	1734
JETTA III	1616-1618	ZASTAVA	
JETTA IV	1619-1620	101	1746
LT 28 - 35 - 46	1624-1625	750 - 750 L	1746
LT 28 > 35	1621-1622	YUGO	1746
LT 40 > 55	1623		
LUPO	1626-1628		
MULTIVAN V	1705-1706		
NEW BEETLE	1629-1631		
PASSAT	1636-1638, 1641-1653		
PASSAT - PASSAT VARIANT	1647-1651		
PASSAT - SANTANA	1633-1634		
PASSAT - SANTANA - CORSAR	1632		
PASSAT (EXCEPT 16 V - VR6)	1639-1640		
PASSAT CC	1647-1651		
PASSAT VARIANT	1641-1653		
PASSAT VARIANT (EXCEPT 16 V - VR6)	1639-1640		
PASSAT VARIANT SYNCRO	1635		
PHAETON	1654-1655		
POLO	1658-1662, 1665-1672		
POLO - DERBY	1656-1657		
POLO CLASSIC	1663-1664		
POLO VARIANT	1663-1664		
SCIROCCO I-II	1591-1592		
SCIROCCO III	1673-1675		
SHARAN	1676-1679		
SYNCRO I (4WD)	1700		
TIGUAN	1680-1684		
TOUAREG	1685-1689		
TOURAN I	1690-1693		
TOURAN II	1694-1695		
TOURAN III	1696-1697		
TRANSPORTER I - KOMBI I	1698		
TRANSPORTER II - KOMBI II	1699		
TRANSPORTER III - KOMBI III	1700		
TRANSPORTER IV - SYNCRO II(4WD)	1701-1704		
TRANSPORTER V	1705-1706		
UP	1707-1708		

MARCA / MODELLO MAKE / MODEL	PAG.	MARCA / MODELLO MAKE / MODEL	PAG.
---------------------------------	------	---------------------------------	------

DESTRO
RIGHT

 SINISTRO
LEFT

ALFA 145 - 146

1.3 - 1.6 - 1.7

1994 > 1996

Asse Anteriore

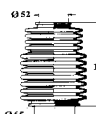
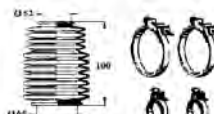
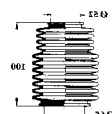


Front Axle

0580330
0590330

0280330
0900330
0280396
0290396
0900330
0290330

1215149

1211322

0901359

1211322

1215149


OCAP	O.E.		i	
0280330	-	TESTA STERZO TIE ROD END		LHT M 14x1,5
0280396	-	TESTA STERZO TIE ROD END		RHT M 14x1,5
0290330	-	TESTA STERZO TIE ROD END		RHT M 14x1,5
0290396	-	TESTA STERZO TIE ROD END		LHT M 14x1,5
0580330	60608980	BARRA STERZO TIE ROD		
0590330	60608979	BARRA STERZO TIE ROD		
0900330	-	GIUNTO COLLEGAMENTO JOINT		RHT - LHT M 14x1,5
0901359	9947534	KIT CUFFIE STERZO STEERING GAITER KIT		
1211322	-	CUFFIA STERZO STEERING GAITER		
1215149	-	SILENTBLOCK BUSHING		

DESTRO
RIGHT



SINISTRO
LEFT

ALFA 145 - 146

1.3 - 1.6 - 1.7

1994 > 1996

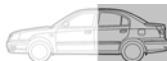
Asse Anteriore



Front Axle



Asse Posteriore



Rear Axle



OCAP	O.E.			
0181142	60570627	PUNTONE BARRA STABILIZZATRICE STABILIZER LINK		
0380386	46474557	BRACCIO OSCILLANTE TRACK CONTROL ARM		DIAM. 17 mm.
0390386	46474556	BRACCIO OSCILLANTE TRACK CONTROL ARM		DIAM. 17 mm.
0901911	46459723 *	KIT RIPARAZIONE BRACCIO REPAIRING KIT TRACK CONTROL ARM		
1215027	7601068	SILENTBLOCK ESTREMO OUTER BUSHING		
1215028	7601065	SILENTBLOCK ESTREMO OUTER BUSHING		
1215264	-	SILENTBLOCK CENTRALE CENTRAL BUSHING		
1215265	-	SILENTBLOCK CENTRALE CENTRAL BUSHING		
0181142-K	60570627 *	KIT PUNTONE BARRA STABILIZZATRICE STABILIZER LINK KIT		

DESTRO
RIGHT

 SINISTRO
LEFT

ALFA 145 - 146

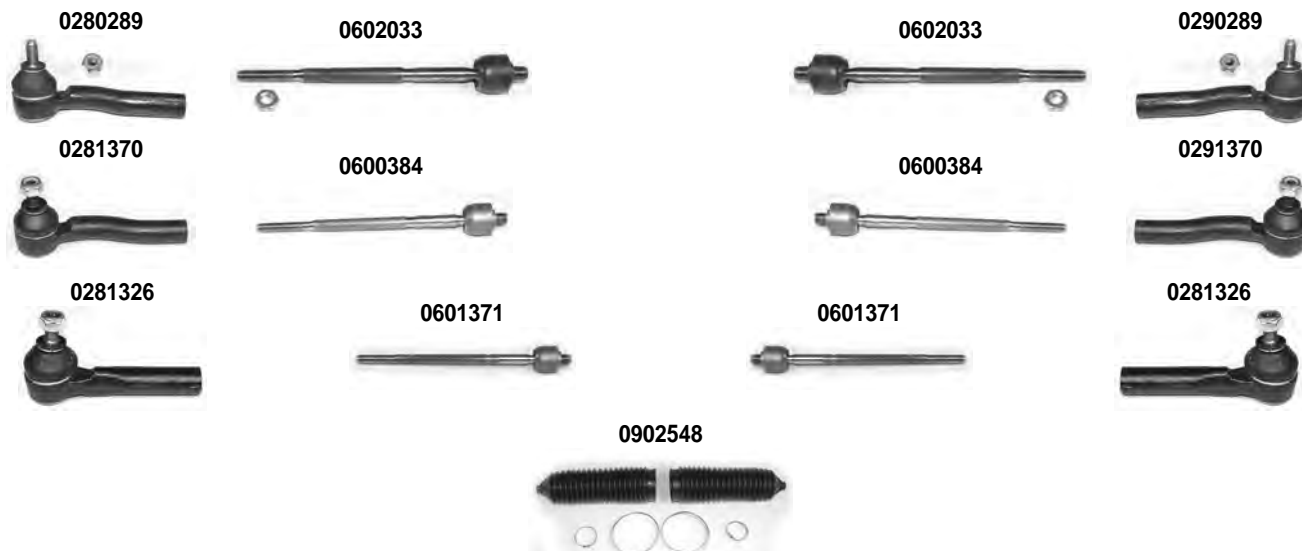
2.0 T. SPARK - TURBODIESEL

1994 > 1996

Asse Anteriore



Front Axle



i	1) MOD. 2.0 T. SPARK - > 03/1995 - MOD. TURBODIESEL	2) MOD. 2.0 T. SPARK - 03/1995 > 05/1995
	3) MOD. TURBODIESEL	4) MOD. 2.0 T. SPARK - 05/1995 >

OCAP	O.E.		i	
0280289	9947438	TESTA STERZO TIE ROD END	1)	RHT M12x1,5
0281326	9947719	TESTA STERZO TIE ROD END	4)	RHT M 14x1,5
0281370	9947764	TESTA STERZO TIE ROD END	2)	RHT M12x1,5
0290289	9947437	TESTA STERZO TIE ROD END	1)	RHT M12x1,5
0291370	9947765	TESTA STERZO TIE ROD END	2)	RHT M12x1,5
0600384	9944452	SNODO ASSIALE AXIAL JOINT	3)	RHT M12x1,5
0601371	9947718	SNODO ASSIALE AXIAL JOINT	4)	RHT M 14x1,5
0602033	9947361	SNODO ASSIALE AXIAL JOINT	1)	RHT M12x1,5
0902548	9950650	KIT CUFFIE STERZO STEERING GAITER KIT	1)	

DESTRO
RIGHT



SINISTRO
LEFT

ALFA 145 - 146

2.0 T. SPARK - TURBODIESEL

1994 > 1996

Asse Anteriore



Front Axle



Asse Posteriore



Rear Axle



OCAP	O.E.			
0181142	60570627	PUNTONE BARRA STABILIZZATRICE STABILIZER LINK		
0380386	46474557	BRACCIO OSCILLANTE TRACK CONTROL ARM		DIAM. 17 mm.
0390386	46474556	BRACCIO OSCILLANTE TRACK CONTROL ARM		DIAM. 17 mm.
0901911	46459723 *	KIT RIPARAZIONE BRACCIO REPAIRING KIT TRACK CONTROL ARM		
1215027	7601068	SILENTBLOCK ESTREMO OUTER BUSHING		
1215028	7601065	SILENTBLOCK ESTREMO OUTER BUSHING		
1215264	-	SILENTBLOCK CENTRALE CENTRAL BUSHING		
1215265	-	SILENTBLOCK CENTRALE CENTRAL BUSHING		
0181142-K	60570627 *	KIT PUNTONE BARRA STABILIZZATRICE STABILIZER LINK KIT		

DESTRO
RIGHT

 SINISTRO
LEFT

ALFA 145 - 146

1997 >

Asse Anteriore



Front Axle


 1) MOD. 1.4 TS 16V (1.4-1.4L) - 1.6 TS 16V - 1930 TDS
 3) MOD. 1910 JTD

 2) MOD. JUNIOR 1.4 TS 16V-1.6 TS 16V - 1.8 TS-2.0 TS - 1.8 TS 16V-2.0 TS 16V
 4) MOD. JUNIOR 1.4 TS 16V-1.6 TS 16V - 1.8 TS-2.0 TS - 1.8 TS 16V-2.0 TS 16V - 1910 JTD

OCAP	O.E.		i	
0280289	9947438	TESTA STERZO TIE ROD END	1)	RHT M12x1,5
0281326	9947719	TESTA STERZO TIE ROD END	2)	RHT M14x1,5
0281375	9947720	TESTA STERZO TIE ROD END	3)	RHT M14x1,5
0290289	9947437	TESTA STERZO TIE ROD END	1)	RHT M12x1,5
0380386	46474557	BRACCIO OSCILLANTE TRACK CONTROL ARM		DIAM. 17 mm.
0390386	46474556	BRACCIO OSCILLANTE TRACK CONTROL ARM		DIAM. 17 mm.
0600384	9944452	SNODO ASSIALE AXIAL JOINT	1)	RHT M12x1,5
0601371	9947718	SNODO ASSIALE AXIAL JOINT	4)	RHT M14x1,5
0902548	9950650	KIT CUFFIE STERZO STEERING GAITER KIT	1)	
1215027	7601068	SILENTBLOCK ESTREMO OUTER BUSHING		
1215028	7601065	SILENTBLOCK ESTREMO OUTER BUSHING		
1215264	-	SILENTBLOCK CENTRALE CENTRAL BUSHING		
1215265	-	SILENTBLOCK CENTRALE CENTRAL BUSHING		

DESTRO
RIGHT



SINISTRO
LEFT

ALFA 145 - 146

1997 >

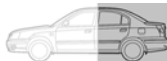
Asse Anteriore



Front Axle



Asse Posteriore



Rear Axle



OCAP	O.E.		i	
0181142	60570627	PUNTONE BARRA STABILIZZATRICE STABILIZER LINK		
0901911	46459723 *	KIT RIPARAZIONE BRACCIO POSTERIORE REPAIRING KIT REAR TRACK CONTROL ARM		
0181142-K	60570627 *	KIT PUNTONE BARRA STABILIZZATRICE STABILIZER LINK KIT		

DESTRO
RIGHT

 SINISTRO
LEFT

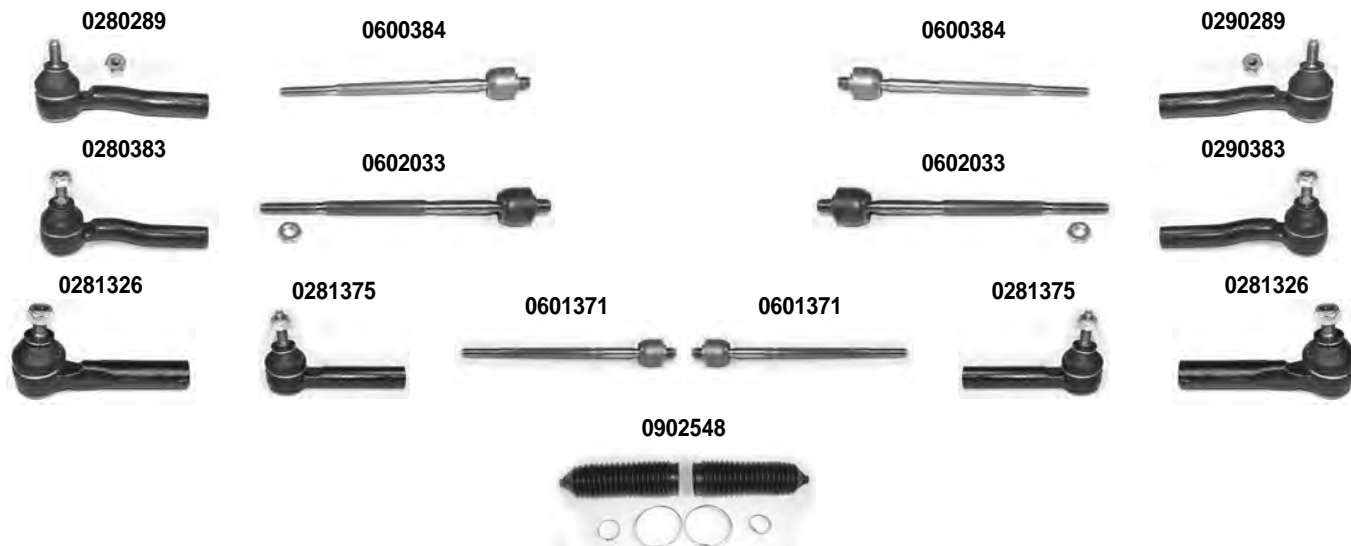
ALFA 155

1992 >

Asse Anteriore



Front Axle



1) MOD: 1.6 TS/1.7 TS/1.8 TS/2.0 TS - 1930 TD 3) MOD: 1.6 TS 16V/1.8 TS 16V/2.0 TS 16V 5) MOD: 1.6 TS 16V/1.8 TS 16V/2.0 TS 16V 2.0 TB - 2.5 V6/ TD/TDS - 03/1995 >	2) MOD. 2.0 TB - 2.5 V6/TD/TDS > 03/1995 4) MOD: 2.0 TB - 2.5 V6/TD/TDS - 05/1995 > 6) 1.6 TS 16V/ 1.7 TS/ 1.8 TS/ 2.0 TS ALTRI MOD. - ALL THE OTHER MOD. > 03/1995
--	--

OCAP	O.E.		
0280289	9947438	TESTA STERZO TIE ROD END	1) RHT M12x1,5
0280383	9947436	TESTA STERZO TIE ROD END	2) RHT M12x1,5
0281326	9947719	TESTA STERZO TIE ROD END	3) RHT M14x1,5
0281375	9947720	TESTA STERZO TIE ROD END	4) RHT M14x1,5
0290289	9947437	TESTA STERZO TIE ROD END	1) RHT M12x1,5
0290383	9947435	TESTA STERZO TIE ROD END	2) RHT M12x1,5
0600384	9944452	SNODO ASSIALE AXIAL JOINT	1) RHT M12x1,5
0601371	9947371	SNODO ASSIALE AXIAL JOINT	5) RHT M14x1,5
0602033	9947361	SNODO ASSIALE AXIAL JOINT	2) RHT M12x1,5
0902548	9950650	KIT CUFFIE STERZO STEERING GAITER KIT	6)

DESTRO
RIGHT



SINISTRO
LEFT

ALFA 155

1992 >

Asse Anteriore

Front Axle



OCAP	O.E.			
0181142	60570627	PUNTOLE BARRA STABILIZZATRICE STABILIZER LINK		
0380386	46474557	BRACCIO OSCILLANTE TRACK CONTROL ARM		DIAM. 17 mm.
0390386	46474556	BRACCIO OSCILLANTE TRACK CONTROL ARM		DIAM. 17 mm.
1215027	7601068	SILENTBLOCK ESTREMO OUTER BUSHING		
1215028	7601065	SILENTBLOCK ESTREMO OUTER BUSHING		
1215264	-	SILENTBLOCK CENTRALE CENTRAL BUSHING		
1215265	-	SILENTBLOCK CENTRALE CENTRAL BUSHING		
0181142-K	60570627 *	KIT PUNTOLE BARRA STABILIZZATRICE STABILIZER LINK KIT		

DESTRO
RIGHT

 SINISTRO
LEFT

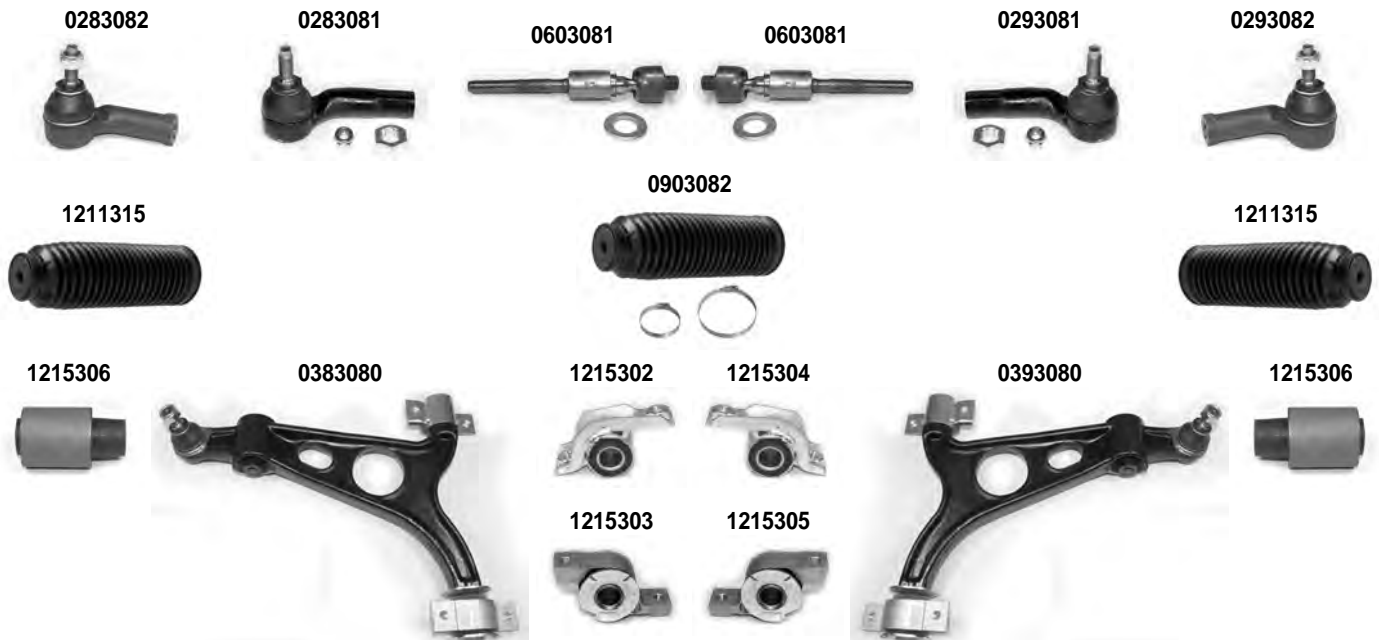
 ALFA 156
ALFA 147
ALFA GT

 1997 >
2000 >
2003 >

Asse Anteriore



Front Axle



i 1) 03/2007 > - ECCETTO 156 - EXCEPT 156 2) ECCETTO 3200 GTA - EXCEPT 3200 GTA

OCAP	O.E.		
0283081	77364522	TESTA STERZO TIE ROD END	1) RHT M14x1,5
0283082	9947920	TESTA STERZO TIE ROD END	RHT M14x1,5
0293081	77364521	TESTA STERZO TIE ROD END	1) RHT M14x1,5
0293082	9947919	TESTA STERZO TIE ROD END	RHT M14x1,5
0383080	50509339	BRACCIO OSCILLANTE - INFERIORE TRACK CONTROL ARM - LOWER	
0393080	50509340	BRACCIO OSCILLANTE - INFERIORE TRACK CONTROL ARM - LOWER	
0603081	9947923	SNODO ASSIALE AXIAL JOINT	2) RHT M14x1,5
0903082	9951287	KIT CUFFIE STERZO STEERING GAITER KIT	
1211315	-	CUFFIA STERZO STEERING GAITER	
1215302	-	SILENTBLOCK ESTREMO OUTER BUSHING	
1215303	-	SILENTBLOCK ESTREMO OUTER BUSHING	
1215304	-	SILENTBLOCK ESTREMO OUTER BUSHING	
1215305	-	SILENTBLOCK ESTREMO OUTER BUSHING	
1215306	-	SILENTBLOCK CENTRALE CENTRAL BUSHING	

DESTRO
RIGHT



SINISTRO
LEFT

ALFA 156
ALFA 147
ALFA GT

1997 >
2000 >
2003 >

Asse Anteriore



Front Axle

0383078



1215464



1215464



0393078



0503079



0503079



0903080



OCAP	O.E.		
0383078	60657246	BRACCIO OSCILLANTE - ALLUMINIO - SUPERIORE TRACK CONTROL ARM - ALUMINIUM - UPPER	
0393078	60657245	BRACCIO OSCILLANTE - ALLUMINIO - SUPERIORE TRACK CONTROL ARM - ALUMINIUM - UPPER	
0503079	46843389	STABILIZZATORE STABILIZER LINK - FRONT AXLE	
0903080	50509339 *	KIT BRACCI OSCILLANTI CONTROL ARMS KIT	
1215464	-	SILENTBLOCK BRACCIO OSCILLANTE TRACK CONTROL ARM BUSHING	

DESTRO
RIGHT

 SINISTRO
LEFT

 ALFA 156
ALFA 147
ALFA GT

 1997 >
2000 >
2003 >

Asse Posteriore



Rear Axle

0503077

0503077



1215465

0503075

1215465

1215465

0503075

1215465



1215466

0503076

1215466



1215466

0503076

1215466



i 2) ECCEETTO 3200 GTA - EXCEPT 3200 GTA

OCAP	O.E.		i	
0503075	60629903	BARRA SOSPENSIONE - ANTERIORE SUSPENSION BAR - FRONT	2)	
0503076	51749713	BARRA SOSPENSIONE - POSTERIORE SUSPENSION BAR - REAR		
0503077	60613575	STABILIZZATORE STABILIZER LINK		
1215465	-	SILENTBLOCK BARRA SOSPENSIONE - ANTERIORE SUSPENSION BAR BUSHING - FRONT		
1215466	-	SILENTBLOCK BARRA SOSPENSIONE - POSTERIORE SUSPENSION BAR BUSHING - REAR		

DESTRO
RIGHT



SINISTRO
LEFT

ALFA 159
BRERA
SPIDER

2005 >
2006 >
2006 >

Asse Anteriore



Front Axle

0282137



0602137



0602137



0292137



0902137



0902143



0382143



1215782



1215782



0392143



1215783



1215783



0383257



1215782



1215782



0393257



1215783



1215783



i 1) > 2006
3) > 01/2009

2) 2007 >
4) 02/2009 >

OCAP	O.E.		i	
0282137	77363707	TESTA STERZO TIE ROD END		RHT M20x1,5
0292137	77363706	TESTA STERZO TIE ROD END		RHT M20x1,5
0382143	51817624	BRACCIO OSCILLANTE - SUPERIORE - ALLUMINIO TRACK CONTROL ARM - UPPER - ALUMINIUM	3)	
0383257	51835398	BRACCIO OSCILLANTE - SUPERIORE - ALLUMINIO TRACK CONTROL ARM - UPPER - ALUMINIUM	4)	
0392143	51817623	BRACCIO OSCILLANTE - SUPERIORE - ALLUMINIO TRACK CONTROL ARM - UPPER - ALUMINIUM	3)	
0393257	51835397	BRACCIO OSCILLANTE - SUPERIORE - ALLUMINIO TRACK CONTROL ARM - UPPER - ALUMINIUM	4)	
0602137	77363707 *	SNODO ASSIALE STERZO AXIAL JOINT		RHT M20x1,5
0902137	77363705	KIT CUFFIA STERZO STEERING GAITER KIT	1)	
0902143	77364750	KIT CUFFIA STERZO STEERING GAITER KIT	2)	
1215782	-	SILENTBLOCK BUSHING		
1215783	-	SILENTBLOCK BUSHING		

DESTRO
RIGHT

 SINISTRO
LEFT

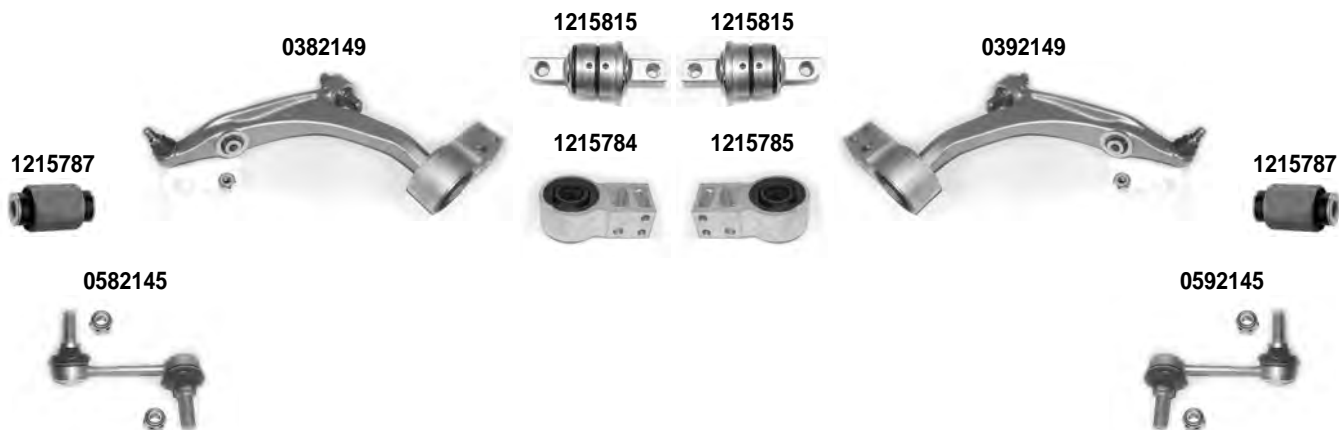
**ALFA 159
BRERA
SPIDER**

 2005 >
2006 >
2006 >

Asse Anteriore



Front Axle



Asse Posteriore



Rear Axle



OCAP	O.E.		
0382149	51842924	BRACCIO OSCILLANTE - INFERIORE - ALLUMINIO TRACK CONTROL ARM - LOWER - ALUMINIUM	
0392149	51842925	BRACCIO OSCILLANTE - INFERIORE - ALLUMINIO TRACK CONTROL ARM - LOWER - ALUMINIUM	
0582145	50706991	STABILIZZATORE STABILIZER LINK	
0582147	51795704	STABILIZZATORE STABILIZER LINK	
0592145	50706990	STABILIZZATORE STABILIZER LINK	
0592147	50705702	STABILIZZATORE STABILIZER LINK	
0702146	50705032	BRACCIO SOSPENSIONE SUSPENSION ARM	
1215784	50706955	SILENTBLOCK - ESTERNO - ALLUMINIO BUSHING - OUTER - ALUMINIUM	
1215785	50706954	SILENTBLOCK - ESTERNO - ALLUMINIO BUSHING - OUTER - ALUMINIUM	
1215786	-	SILENTBLOCK BUSHING	
1215787	-	SILENTBLOCK - LATO SNODO BUSHING - BALL JOINT SIDE	
1215815	51842924 *	SILENTBLOCK - CENTRALE BUSHING - CENTRAL	

DESTRO
RIGHT



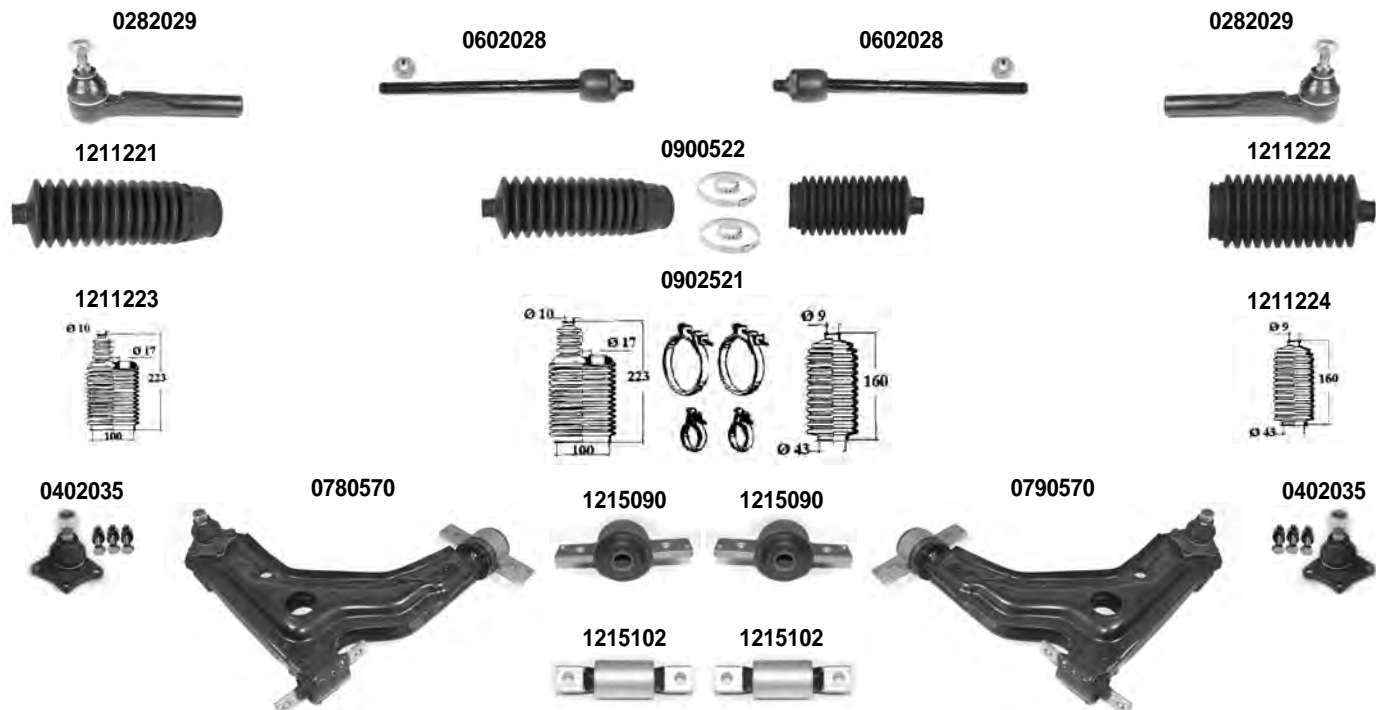
SINISTRO
LEFT

ALFA 164

1987 >

Asse Anteriore

Front Axle



i 1) 4 CILINDRI - 4 CILINDRES 2) 6 CILINDRI - 6 CILINDRES

OCAP	O.E.		
0282029	82387676	TESTA STERZO TIE ROD END	RHT M14x1,5
0402035	60566661	SNODO SOSPENSIONE BALL JOINT	DIAM. 13 mm. RHT M12x1,25
0602028	9040260	SNODO ASSIALE AXIAL JOINT	RHT M14x1,5
0780570	-	BRACCIO OSCILLANTE CON SNODO TRACK CONTROL ARM WITH BALL JOINT	DIAM. 13 mm.
0790570	-	BRACCIO OSCILLANTE CON SNODO TRACK CONTROL ARM WITH BALL JOINT	DIAM. 13 mm.
0900522	9938779	KIT CUFFIE STERZO STEERING GAITER KIT	
0902521	9943835	KIT CUFFIE STERZO STEERING GAITER KIT	2)
1211221	60760026	CUFFIA STERZO STEERING GAITER	1)
1211222	-	CUFFIA STERZO STEERING GAITER	1)
1211223	36020064	CUFFIA STERZO STEERING GAITER	2)
1211224	36020065	CUFFIA STERZO STEERING GAITER	2)
1215090	60510361	SILENTBLOCK ESTREMO OUTER BUSHING	
1215102	-	SILENTBLOCK CENTRALE CENTRAL BUSHING	

DESTRO
RIGHT

 SINISTRO
LEFT

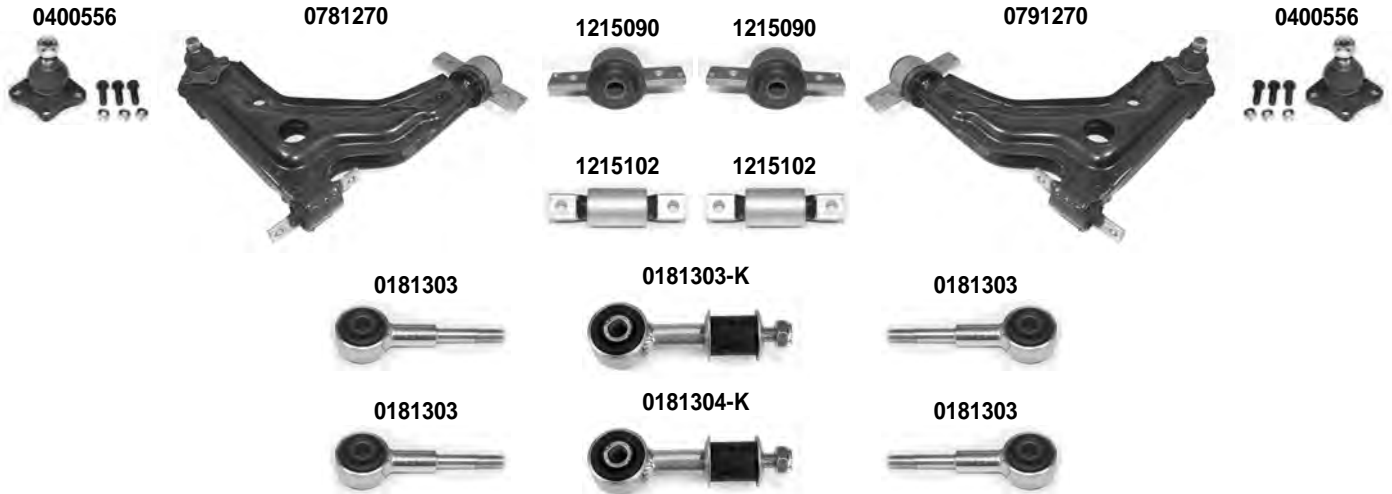
ALFA 164

1987 >

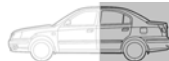
Asse Anteriore



Front Axle



Asse Posteriore



Rear Axle



i 3) 2.0 TWIN SPARK - 2.5 TD - 3.0V6 - > CH. 62550774 - TURBO BZ. > CH. 6256028 - > CH. 6255074 4) 2.0 T.SPARK - 3.0 V6 - 2.5 TD - CH. 6255074 > - TURBO BZ. CH. 6256028 > - 4x4

OCAP	O.E.		i	
0181303	60808278	PUNTOLE BARRA STABILIZZATRICE STABILIZER LINK	3)	
0400556	60510360	SNODO SOSPENSIONE BALL JOINT		DIAM. 15 mm. - RHT M12x1.25
0502523	60801498	BARRA SOSPENSIONE SUSPENSION BAR		
0781270	-	BRACCIO OSCILLANTE CON SNODO TRACK CONTROL ARM WITH BALL JOINT		DIAM. 15 mm.
0791270	-	BRACCIO OSCILLANTE CON SNODO TRACK CONTROL ARM WITH BALL JOINT		DIAM. 15 mm.
1215090	60510361	SILENTBLOCK ESTREMO OUTER BUSHING		
1215102	-	SILENTBLOCK CENTRALE CENTRAL BUSHING		
1215218	60801315	SILENTBLOCK ASTA BARRA DI TORSIONE CROSS ROD BUSHING FOR TORSION BAR		
0181303-K	-	KIT PUNTOLE BARRA STABILIZZ. STABILIZER LINK KIT	3)	
0181304-K	82457524 *	KIT PUNTOLE BARRA STABILIZZATRICE STABILIZER LINK KIT	4)	

DESTRO
RIGHT



SINISTRO
LEFT

ALFA 166

1998 >

Asse Anteriore

Front Axle



OCAP	O.E.			
0283082	9947920	TESTA STERZO TIE ROD END		RHT M14x1,5
0293082	9947919	TESTA STERZO TIE ROD END		RHT M14x1,5
0381351	60695896	BRACCIO OSCILLANTE - ACCIAIO TRACK CONTROL ARM - STEEL		
0391351	60695895	BRACCIO OSCILLANTE - ACCIAIO TRACK CONTROL ARM - STEEL		
0601350	9948297	SNODO ASSIALE AXIAL JOINT		RHT M14x1,5
0903082	9951287	KIT CUFFIE STERZO STEERING GAITER KIT		
1211315	-	CUFFIA STERZO STEERING GAITER		
1215445	-	SILENTBLOCK ESTREMO OUTER BUSHING		
1215446	-	SILENTBLOCK CENTRALE CENTRAL BUSHING		
1215447	-	SILENTBLOCK LATO SNODO BALL JOINT SIDE BUSHING		

DESTRO
RIGHT

 SINISTRO
LEFT

ALFA 166

1998 >

Asse Anteriore



Front Axle

0381352

1215464

1215464

0391352

1215464

1215464

0501353

0501353


Asse Posteriore



Rear Axle

0581357

0581356

0591356



0591357

1215218

0501358

0501358

1215218


OCAP	O.E.		i	
0381352	60666020	BRACCIO SOSPENSIONE - ALLUMINIO CONTROL ARM - ALUMINIUM		
0391352	60666021	BRACCIO SOSPENSIONE - ALLUMINIO CONTROL ARM - ALUMINIUM		
0501353	60630757	STABILIZZATORE STABILIZER LINK - FRONT AXLE		
0501358	60628302	BARRA SOSPENSIONE SUSPENSION CROSS ROD		
0581356	60628295	ASTA SOSPENSIONE SUSPENSION CROSS ROD		
0581357	60628255	STABILIZZATORE STABILIZER LINK		
0591356	60628294	ASTA SOSPENSIONE SUSPENSION CROSS ROD		
0591357	60628284	STABILIZZATORE STABILIZER LINK		
1215218	60801315	SILENTBLOCK ASTA BARRA DI TORSIONE CROSS ROD BUSHING FOR TORSION BAR		
1215464	-	SILENTBLOCK BUSHING		

DESTRO
RIGHT



SINISTRO
LEFT

ALFASUD
ALFA 33 - ARNA
ALFA 33

1971 >
1983 > 1989
1990 >

Asse Anteriore



Front Axle

0180522

0502187

0502187

0180522



0902189

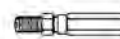
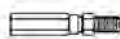
0292190

1215150

1215150

0292190

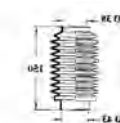
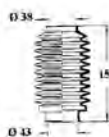
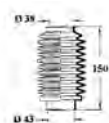
0902189



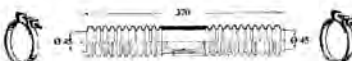
1211055

0902516

1211055



0902547



i 1) STERZO MANUALE - MANUAL STEERING	2) SERVOSTERZO - POWER STEERING - 1990 >
--	--

OCAP	O.E.		i	
0180522	60535946	TESTA STERZO TIE ROD END		RHT M14x1
0292190	-	TESTA STERZO TIE ROD END		LHT M 14x1,5
0502187	60572860	BARRA STERZO TIE ROD		RHT - LHT M14x1
0902189	60572854	GIUNTO COLLEGAMENTO ADJUSTMENT BOLT		RHT - LHT M14x1
0902516	-	KIT CUFFIE STERZO STEERING GAITER KIT	1)	
0902547	-	KIT CUFFIA STERZO STEERING GAITER KIT	2)	
1211055	60502781	CUFFIA STERZO STEERING GAITER	1)	
1215150	60502771	SILENTBLOCK BUSHING		

DESTRO
RIGHT



SINISTRO
LEFT

ALFASUD
ALFA 33 - ARNA
ALFA 33

1971 >
1983 > 1989
1990 >

Asse Anteriore

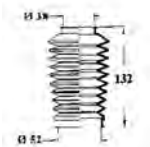


Front Axle

1211186



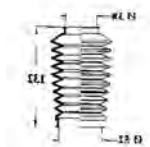
1211217



0902519



1211217



1214033



1214033



0400523



0400524



0400524



0400523



<p>i 2) SERVOSTERZO - POWER STEERING - 1990 > 4) SOLO PER MODELLI ALFASUD - ONLY FOR ALFASUD MODELS</p>	<p>3) SERVOSTERZO SOLO TURBODIESEL - POWER STEERING ONLY TURBODIESEL</p>
---	--

OCAP	O.E.		i	
0400523	60501402 *	SNODO SOSPENSIONE SUSPENSION JOINT		
0400524	60745037 *	SNODO SOSPENSIONE SUSPENSION JOINT	4)	
0902519	-	KIT CUFFIE STERZO STEERING GAITER KIT	3)	
1211186	9943449	CUFFIA STERZO STEERING GAITER	2)	
1211217	36020076	CUFFIA STERZO STEERING GAITER	3)	
1214033	60502779	BOCCOLA SUPPORTO SCATOLA STERZO RUBBER MOUNTING FOR STEERING BOX		

DESTRO
RIGHT



SINISTRO
LEFT

ALFA 6		1979 >
--------	--	--------

Asse Anteriore



Front Axle

0280525



0600526



0600526



0280525



1211058



1211058



0400528



0400528



0401600



0401600



OCAP	O.E.			
0280525	60521320	TESTA STERZO TIE ROD END		RHT M 14x1,5
0400528	60736098 *	SNODO SOSP.SUPERIORE SUSPENSION JOINT - UPPER		
0401600	60701600	SNODO SOSP. INFERIORE SUSPENSION JOINT - LOWER		
0600526	119002403900	SNODO ASSIALE AXIAL JOINT		RHT M 14x1,5
1211058	60724222	CUFFIA STERZO STEERING GAITER		

DESTRO
RIGHT

 SINISTRO
LEFT

ALFETTA - GIULIETTA - GTV
ALFA 75 - 90

 1972 >
 1985 >

Asse Anteriore



Front Axle

0280525

0600526

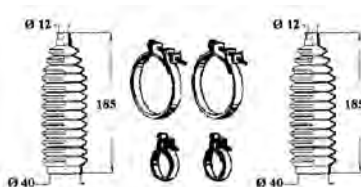
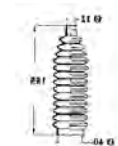
0602507

0602507

0600526

0280525

1211058

0902518

1211058

0400528

0402508

0402508

0400528


Asse Posteriore



Rear Axle

1214045

1214045


i	1) STERZO MANUALE - MANUAL STEERING	2) SERVOSTERZO - POWER STEERING
	3) SOLO PER - ONLI FOR: ALFETTA-GIULIETTA-GTV > 1979	

OCAP	O.E.		i	
0280525	60521320	TESTA STERZO TIE ROD END		RHT M 14x1,5
0400528	60724046	SNODO SOSPENSIONE SUPERIORE SUSPENSION JOINT - UPPER	3)	
0402508	60728428 *	SNODO SOSPENSIONE SUPERIORE SUSPENSION JOINT - UPPER		
0600526	60548925	SNODO ASSIALE - STERZO MANUALE AXIAL JOINT	1)	RHT M 14x1,5
0602507	60734829	SNODO ASSIALE - SERVOSTERZO AXIAL JOINT	2)	RHT M 14x1,5
0902518	-	KIT CUFFIE STERZO - SERVOSTERZO STEERING GAITER KIT	2)	
1211058	9943860	CUFFIA STERZO - SERVOSTERZO STEERING GAITER	2)	
1214045	60724229	BOCCOLA ATTACCO BARRA STABILIZZATRICE STABILIZING BAR BUSHING		

AR 8 - 30 - 32 - 35 - 40

DESTRO
RIGHT



SINISTRO
LEFT

AR 8 - 30 - 32 - 35 - 40

1978 >

Asse Anteriore



Front Axle

0280515



0600516



0600516



0280515



0280517



0280517



0400518



0400518



OCAP	O.E.			
0280515	93800662	TESTA STERZO TIE ROD END		RHT M16x1,5
0280517	93802209	SNODO SOSPENSIONE SUSPENSION JOINT		RHT M20x1,5
0400518	93802242	SNODO SOSPENSIONE - SUPERIORE - INFERIORE SUSPENSION JOINT - UPPER - LOWER		
0600516	9983325	SNODO ASSIALE AXIAL JOINT		RHT M16x1,5

DESTRO
RIGHT



SINISTRO
LEFT

GIULIA

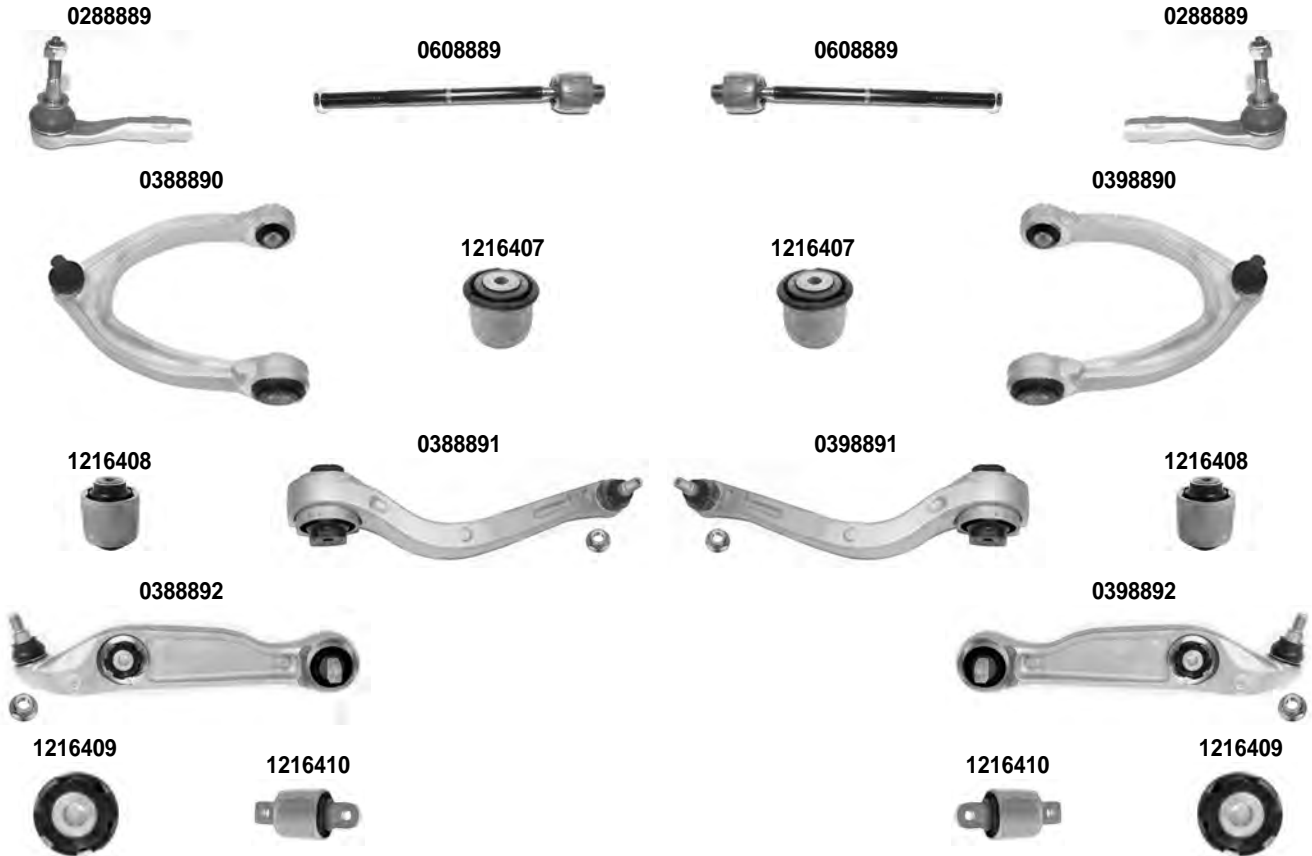
952

10/2015 >

Asse Anteriore



Front Axle



i 1) SERVOSTERZO - POWER STEERING - CH. 44M002674 >2) ECCETTO MOD. QUADRIFOGLIO - EXCEPT QUADRIFOGLIO MODELS

OCAP	O.E.		
0288889	77367925	TESTA STERZO TIE ROD END	RHT M 14x1,5
0388890	50533327	BRACCIO OSCILLANTE - SUPERIORE TRACK CONTROL ARM - UPPER	2)
0388891	50547026	BRACCIO OSCILLANTE - INFERIORE - ANTERIORE TRACK CONTROL ARM - LOWER - FRONT	2)
0388892	50541776	BRACCIO OSCILLANTE - INFERIORE - POSTERIORE TRACK CONTROL ARM - LOWER - REAR	2)
0398890	50533329	BRACCIO OSCILLANTE - SUPERIORE TRACK CONTROL ARM - UPPER	2)
0398891	50547027	BRACCIO OSCILLANTE - INFERIORE - ANTERIORE TRACK CONTROL ARM - LOWER - FRONT	2)
0398892	50541778	BRACCIO OSCILLANTE - INFERIORE - POSTERIORE TRACK CONTROL ARM - LOWER - REAR	2)
0608889	50544042 *	SNODO ASSIALE AXIAL JOINT	1) RHT M 14x1,5
1216407	50533327 *	SILENTBLOCK BUSHING	2)
1216408	50547026 *	SILENTBLOCK BUSHING	2)
1216409	50541776 *	SILENTBLOCK BUSHING	2)
1216410	50541778 *	SILENTBLOCK BUSHING	2)

DESTRO
RIGHT



SINISTRO
LEFT

GIULIA	952	10/2015 >
--------	-----	-----------

Asse Anteriore



Front Axle

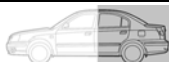
0508890



0508890



Asse Posteriore



Rear Axle

0308895



0308893



0308893



0308895



0308894



0308894



0508893



0508893



OCAP	O.E.			
0308893	50540594	BRACCIO OSCILLANTE - INFERIORE TRACK CONTROL ARM - LOWER		
0308894	50543275	BRACCIO OSCILLANTE - SUPERIORE TRACK CONTROL ARM - UPPER		
0308895	50540592	BRACCIO OSCILLANTE - INFERIORE TRACK CONTROL ARM - LOWER		
0508890	50543482	STABILIZZATORE STABILIZER LINK		L=183 mm.
0508893	50543807	STABILIZZATORE STABILIZER LINK		L=110 mm.

DESTRO
RIGHT



SINISTRO
LEFT

GIULIETTA

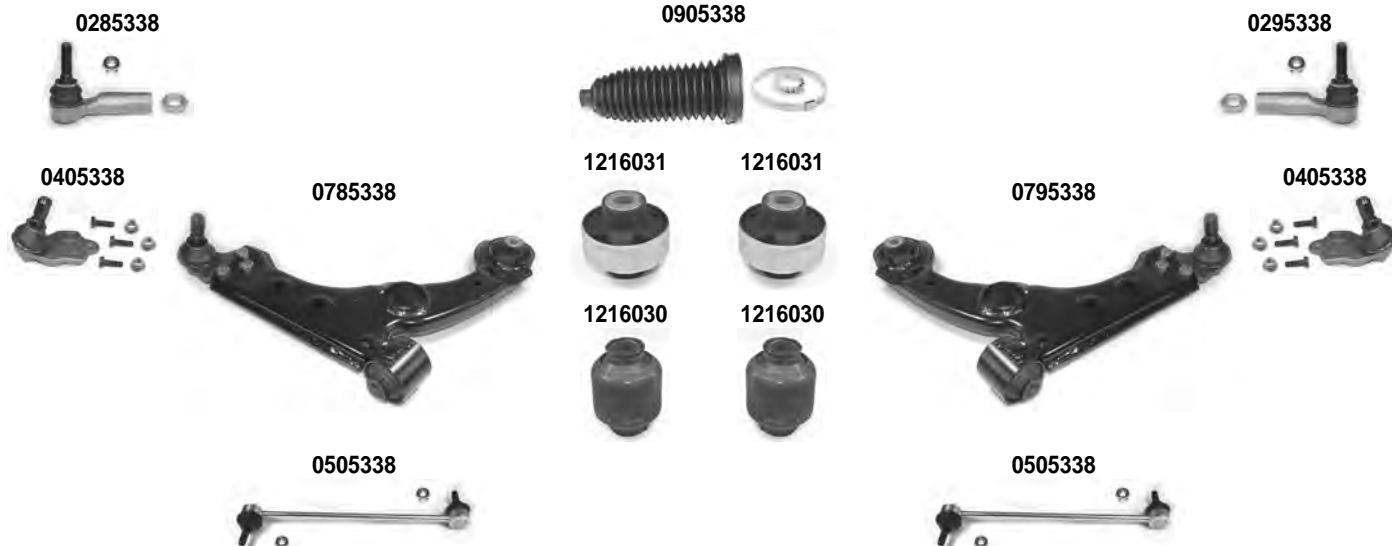
940

04/2010 >

Asse Anteriore



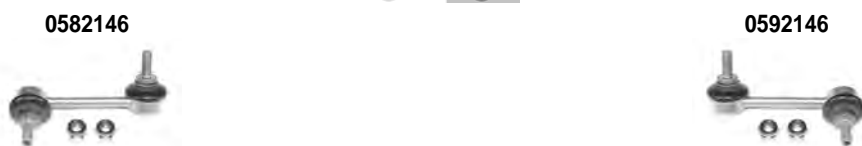
Front Axle



Asse Posteriore



Rear Axle



OCAP	O.E.			
0285338	50520353	TESTA STERZO TIE ROD END		RHT M16x1,5
0295338	50520352	TESTA STERZO TIE ROD END		RHT M16x1,5
0405338	50521045 *	SNODO SOSPENSIONE - INFERIORE BALL JOINT - LOWER		
0505338	50515276	STABILIZZATORE STABILIZER LINK		
0582146	50515275	STABILIZZATORE STABILIZER LINK		
0592146	50515274	STABILIZZATORE STABILIZER LINK		
0785338	50521045	BRACCIO OSCILLANTE - INFERIORE TRACK CONTROL ARM - LOWER		
0795338	50521046	BRACCIO OSCILLANTE - INFERIORE TRACK CONTROL ARM - LOWER		
0905338	50520351	KIT CUFFIA STERZO STEERING GAITER KIT		
1216030	51805862	SILENTBLOCK CENTRALE CENTRAL BUSHING		
1216031	51805863	SILENTBLOCK ESTREMO OUTER BUSHING		

DESTRO
RIGHT



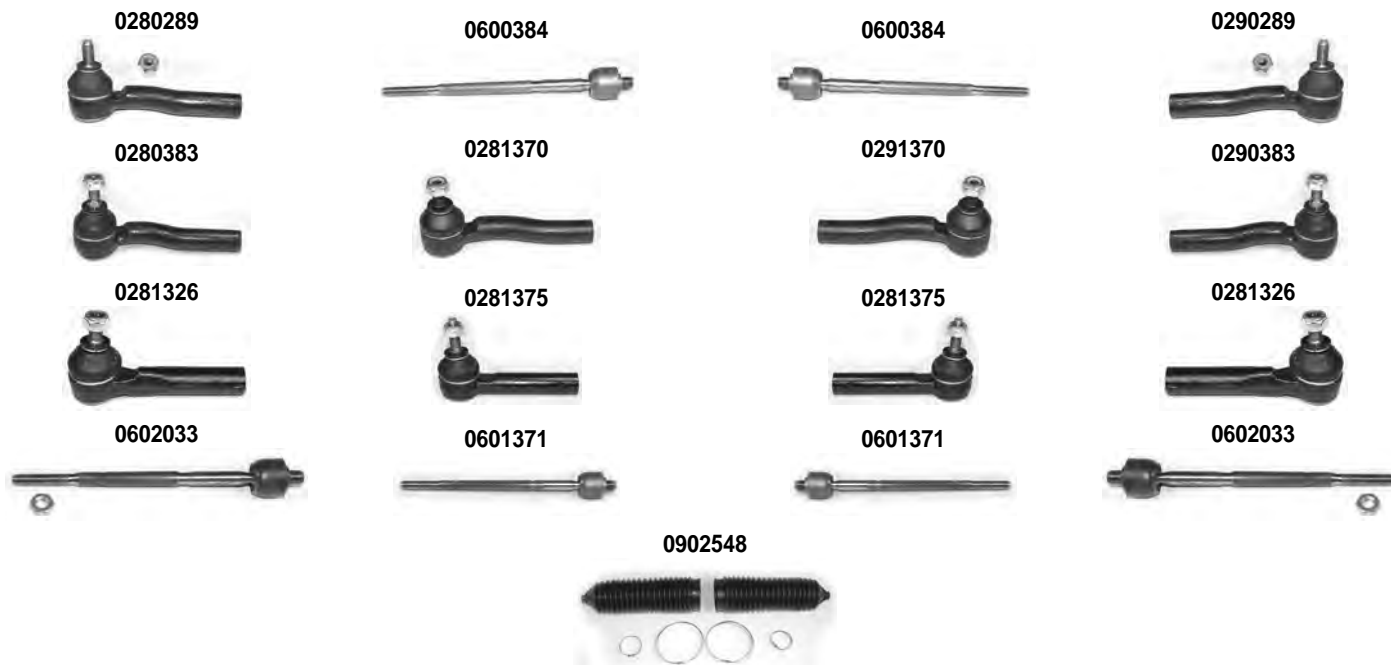
SINISTRO
LEFT

GTV - SPIDER

1995 >

Asse Anteriore

Front Axle



- | | |
|---|---|
| <p>i 1) SOLO PER - ONLY FOR: MOD. 2.0 TS 16V - > 03/1995
 3) SOLO PER - ONLY FOR: MOD. 2.0 TS 16V - 03/1995 > 05/1995
 5) SOLO PER - ONLY FOR: MOD.: 2.0 TS 16V - 2.0 TB V6 - 3.0 V6 12V - > 03/1995
 7) > 03/1995</p> | <p>2) SOLO PER - ONLY FOR: MOD. 2.0 TB V6 - 3.0 V6 12V - > 03/1995
 4) SOLO PER - ONLY FOR: MOD. 1.8/2.0 TS 16V - 2.0 TS - 2.0 JTS - 05/1995 >
 6) TUTTI I MODELLI - ALL MODELS: 2.0 TS 16V/TB V6 - 3.0 V6 12V - 05/1995 ></p> |
|---|---|

OCAP	O.E.		i	
0280289	9947438	TESTA STERZO TIE ROD END	1)	RHT M12x1,5
0280383	9950670	TESTA STERZO TIE ROD END	2)	RHT M12x1,5
0281326	9947719	TESTA STERZO TIE ROD END	4)	RHT M14x1,5
0281370	9947764	TESTA STERZO TIE ROD END	3)	RHT M14x1,5
0281375	9947720	TESTA STERZO TIE ROD END	4)	RHT M14x1,5
0290289	9947437	TESTA STERZO TIE ROD END	1)	RHT M12x1,5
0290383	9947435	TESTA STERZO TIE ROD END	2)	RHT M12x1,5
0291370	9947765	TESTA STERZO TIE ROD END	3)	RHT M14x1,5
0600384	9944452	SNODO ASSIALE AXIAL JOINT	1)	RHT M12x1,5
0601371	9947371	SNODO ASSIALE AXIAL JOINT	6)	RHT M14x1,5
0602033	9947361	SNODO ASSIALE AXIAL JOINT	5)	RHT M12x1,5
0902548	9950650	KIT CUFFIE STERZO STEERING GAITER KIT	7)	

DESTRO
RIGHT



SINISTRO
LEFT

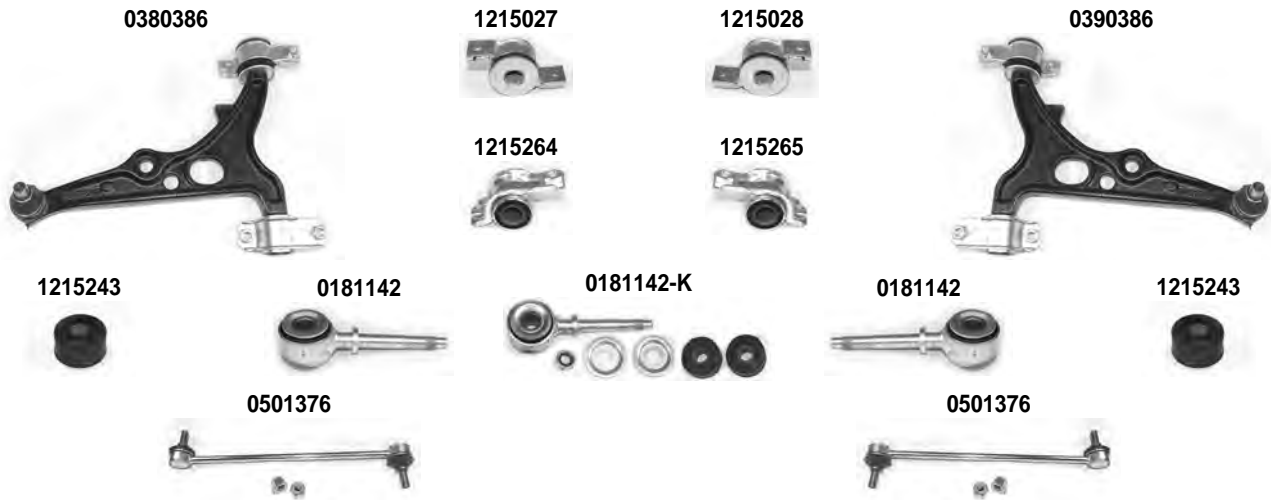
GTV - SPIDER

1995 >

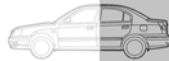
Asse Anteriore



Front Axle



Asse Posteriore



Rear Axle



OCAP	O.E.		
0181142	60570627	PUNTONE BARRA STABILIZZATRICE STABILIZER LINK	
0380386	46474557	BRACCIO OSCILLANTE TRACK CONTROL ARM	DIAM. 17 mm.
0390386	46474556	BRACCIO OSCILLANTE TRACK CONTROL ARM	DIAM. 17 mm.
0501376	60614514	STABILIZZATORE STABILIZER LINK	
0501377	60627480	BARRA SOSPENSIONE SUSPENSION CROSS ROD	
0581281	60612435	STABILIZZATORE STABILIZER LINK	
0591281	60612436	STABILIZZATORE STABILIZER LINK	
1215027	7601068	SILENTBLOCK ESTREMO OUTER BUSHING	
1215028	7601065	SILENTBLOCK ESTREMO OUTER BUSHING	
1215243	7601642	GOMMINO BARRA STABILIZZATRICE RUBBER RING STABILIZING BAR	
1215264	-	SILENTBLOCK CENTRALE CENTRAL BUSHING	
1215265	-	SILENTBLOCK CENTRALE CENTRAL BUSHING	
0181142-K	60570627 *	KIT PUNTONE BARRA STABILIZZATRICE STABILIZER LINK	

DESTRO
RIGHT

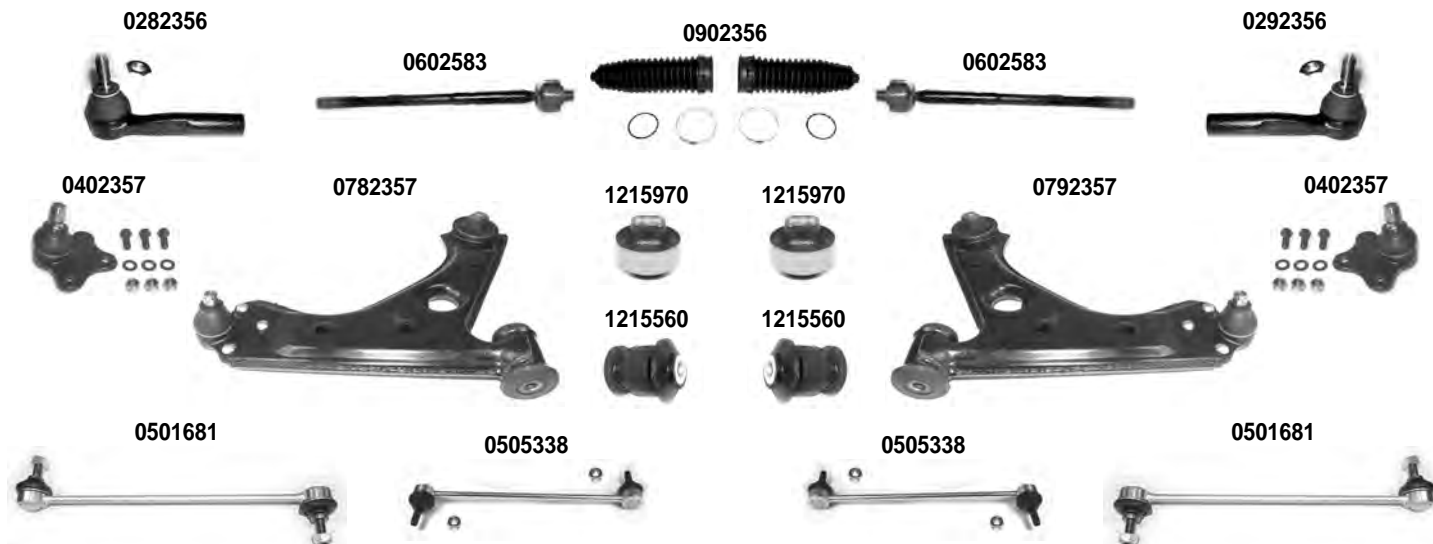


SINISTRO
LEFT

MITO	2008 >
------	--------

Asse Anteriore

Front Axle



i 1) > CH. 1102922	2) CH. 1102922 >
---------------------------	------------------

OCAP	O.E.		
0282356	77363830	TESTA STERZO TIE ROD END	RHT M14x1,5
0292356	77363829	TESTA STERZO TIE ROD END	RHT M14x1,5
0402357	50511650 *	SNODO SOSPENSIONE BALL JOINT	
0501681	55700753	STABILIZZATORE STABILIZER LINK	1)
0505338	50515276	STABILIZZATORE STABILIZER LINK	2)
0602583	51861102 *	SNODO ASSIALE AXIAL JOINT	RHT M14x1,5
0782357	51895366	BRACCIO OSCILLANTE TRACK CONTROL ARM	
0792357	51895367	BRACCIO OSCILLANTE TRACK CONTROL ARM	
0902356	77363828	KIT CUFFIE STERZO STEERING GAITER KIT	
1215560	55703232	SILENTBLOCK CENTRALE CENTRAL BUSHING	
1215880	55700751 *	SILENTBLOCK VECCHIA VERSIONE OUTER BUSHING OLD VERSION	
1215970	55700751	SILENTBLOCK ESTREMO OUTER BUSHING	

DESTRO
RIGHT



SINISTRO
LEFT

STELVIO

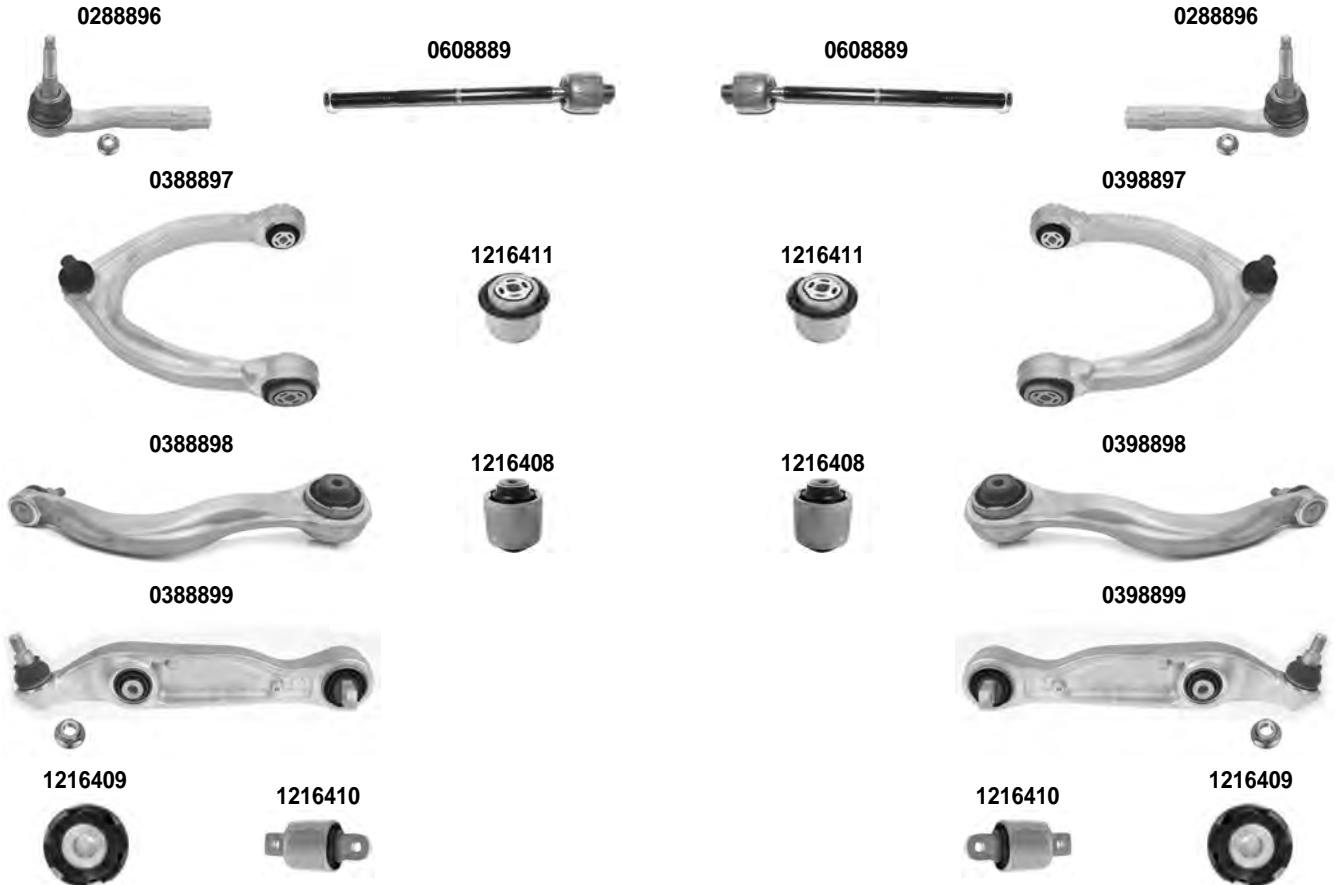
949

12/2016 >

Asse Anteriore



Front Axle



1) 07/2017 >		2) ECCETTO MOD. QUADRIFOGLIO - EXCEPT QUADRIFOGLIO MODELS		
OCAP	O.E.			
0288896	77368151	TESTA STERZO TIE ROD END		RHT M 14x1,5
0388897	50539880	BRACCIO OSCILLANTE - SUPERIORE TRACK CONTROL ARM - UPPER		
0388898	50535567	BRACCIO OSCILLANTE - INFERIORE - ANTERIORE TRACK CONTROL ARM - LOWER - FRONT		
0388899	50552328	BRACCIO OSCILLANTE - INFERIORE - POSTERIORE TRACK CONTROL ARM - LOWER - REAR	2)	
0398897	50539881	BRACCIO OSCILLANTE - SUPERIORE TRACK CONTROL ARM - UPPER		
0398898	50535568	BRACCIO OSCILLANTE - INFERIORE - ANTERIORE TRACK CONTROL ARM - LOWER - FRONT		
0398899	50552330	BRACCIO OSCILLANTE - INFERIORE - POSTERIORE TRACK CONTROL ARM - LOWER - REAR	2)	
0608889	50544042 *	SNODO ASSIALE AXIAL JOINT	1)	RHT M 14x1,5
1216408	50547026 *	SILENTBLOCK BUSHING		
1216409	50541776 *	SILENTBLOCK BUSHING	2)	
1216410	50541778 *	SILENTBLOCK BUSHING	2)	
1216411	50539880 *	SILENTBLOCK BUSHING		

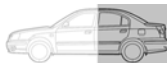
DESTRO
RIGHT



SINISTRO
LEFT

STELVIO	949	12/2016 >
---------	-----	-----------

Asse Posteriore



Rear Axle

1216433



0308893



0308893



1216433



1216434



0308894



0308894



1216434



0308895



0308895



0508890



0508893



0508893



0508890



OCAP	O.E.			
0308893	50540594	BRACCIO OSCILLANTE - INFERIORE TRACK CONTROL ARM - LOWER		
0308894	50543275	BRACCIO OSCILLANTE - SUPERIORE TRACK CONTROL ARM - UPPER		
0308895	50540592	BRACCIO OSCILLANTE - INFERIORE TRACK CONTROL ARM - LOWER		
0508890	50543482	STABILIZZATORE STABILIZER LINK		L=183 mm.
0508893	50543807	STABILIZZATORE STABILIZER LINK		L=110 mm.
1216433	50540594 *	SILENTBLOCK BUSHING		
1216434	50543275 *	SILENTBLOCK BUSHING		

DESTRO
RIGHT



SINISTRO
LEFT

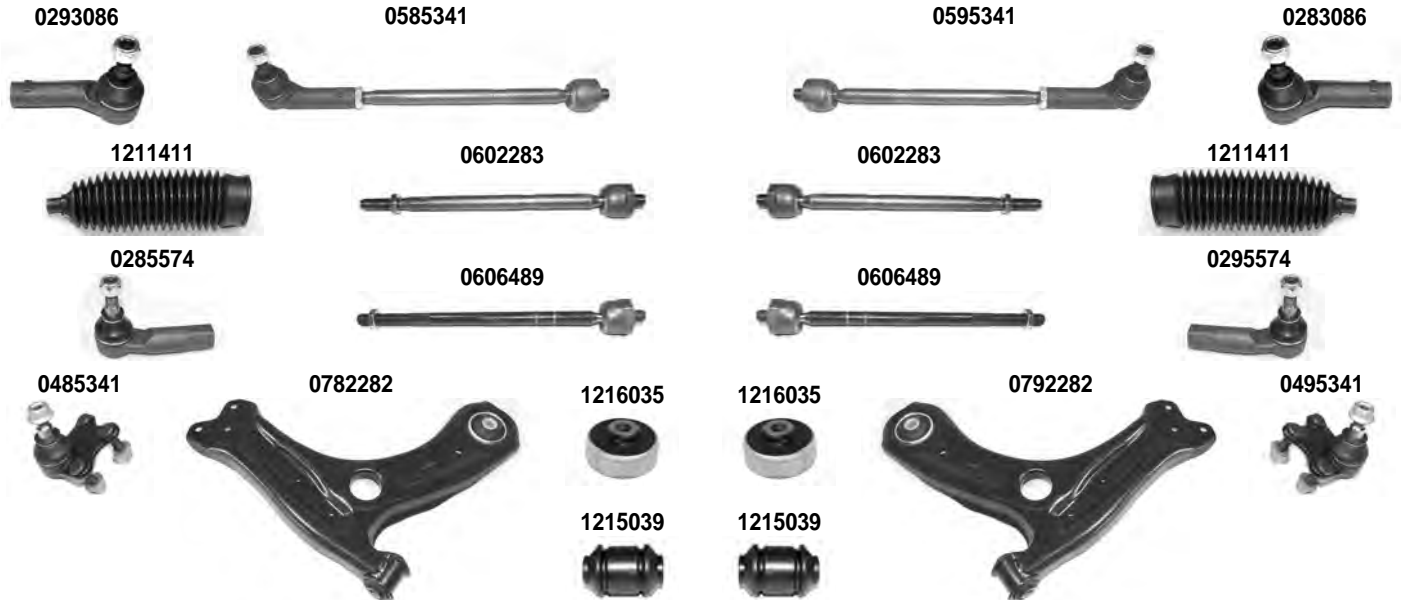
A
1

A 1 A 1 SPORTBACK	8X1 8XA	05/2010 > 11/2011 >
----------------------	------------	------------------------

Asse Anteriore



Front Axle



i 1) > 08/2014 3) > 06/2010 - (MOD. QUATTRO: 2015 >)	2) 09/2014 >
--	--------------

OCAP	O.E.		
0283086	6R0423811A	TESTA STERZO TIE ROD END	1) RHT M14x1,5
0285574	1S0423812A	TESTA STERZO TIE ROD END	2) RHT M14x1,5
0293086	6R0423812A	TESTA STERZO TIE ROD END	1) RHT M14x1,5
0295574	1S0423811A	TESTA STERZO TIE ROD END	2) RHT M14x1,5
0485341	6R0407366	SNODO SOSPENSIONE - INFERIORE BALL JOINT - LOWER	
0495341	6R0407365	SNODO SOSPENSIONE - INFERIORE BALL JOINT - LOWER	
0585341	6R0423804D	BARRA STERZO TIE ROD	1)
0595341	6R0423803D	BARRA STERZO TIE ROD	1)
0602283	6R0423804A *	SNODO ASSIALE AXIAL JOINT	1) RHT M14x1,5
0606489	6C0423810C	SNODO ASSIALE AXIAL JOINT	2) RHT M14x1,5
0782282	6R0407152B	BRACCIO OSCILLANTE - INFERIORE TRACK CONTROL ARM - LOWER	3)
0792282	6R0407151B	BRACCIO OSCILLANTE - INFERIORE TRACK CONTROL ARM - LOWER	3)
1211411	6Q0423831D	CUFFIA STERZO STEERING GAITER	1)
1215039	357407182	SILENTBLOCK - CENTRALE CENTRAL BUSHING	
1216035	8N0407181B	SILENTBLOCK - ESTREMO OUTER BUSHING	3)

A 1

DESTRO
RIGHT



SINISTRO
LEFT

A 1 A 1 SPORTBACK	8X1 8XA	05/2010 > 11/2011 >
----------------------	------------	------------------------

Asse Anteriore



Front Axle



i 3) > 06/2010 - (MOD. QUATTRO: 2015 >)	4) 07/2010 > - (MOD. QUATTRO: > 2014)
--	---------------------------------------

OCAP	O.E.			
0485341	6R0407366	SNODO SOSPENSIONE - INFERIORE BALL JOINT - LOWER		
0495341	6R0407365	SNODO SOSPENSIONE - INFERIORE BALL JOINT - LOWER		
0501390	6Q0411315N	STABILIZZATORE STABILIZER LINK - FRONT AXLE		
0782283	6R0407152B *	BRACCIO OSCILLANTE - INFERIORE - COMPLETO COMPLETE TRACK CONTROL ARM - LOWER	3)	
0785341	6R0407152F	BRACCIO OSCILLANTE - INFERIORE TRACK CONTROL ARM - LOWER	4)	
0786489	6R0407152F *	BRACCIO OSCILLANTE - INFERIORE - COMPLETO COMPLETE TRACK CONTROL ARM - LOWER	4)	
0792283	6R0407151B *	BRACCIO OSCILLANTE - INFERIORE - COMPLETO COMPLETE TRACK CONTROL ARM - LOWER	3)	
0795341	6R0407151F	BRACCIO OSCILLANTE - INFERIORE TRACK CONTROL ARM - LOWER	4)	
0796489	6R0407151F *	BRACCIO OSCILLANTE - INFERIORE - COMPLETO COMPLETE TRACK CONTROL ARM - LOWER	4)	
1214135	6Q0411314Q	SILENTBLOCK BARRA STABILIZZATRICE STABILIZING BAR BUSHING		DIAM.17 mm.
1215039	357407182	SILENTBLOCK - CENTRALE CENTRAL BUSHING		
1215198	1J0407181	SILENTBLOCK - ESTREMO OUTER BUSHING	4)	

DESTRO
RIGHT



SINISTRO
LEFT

A
1

A 1
A 1 SPORTBACK

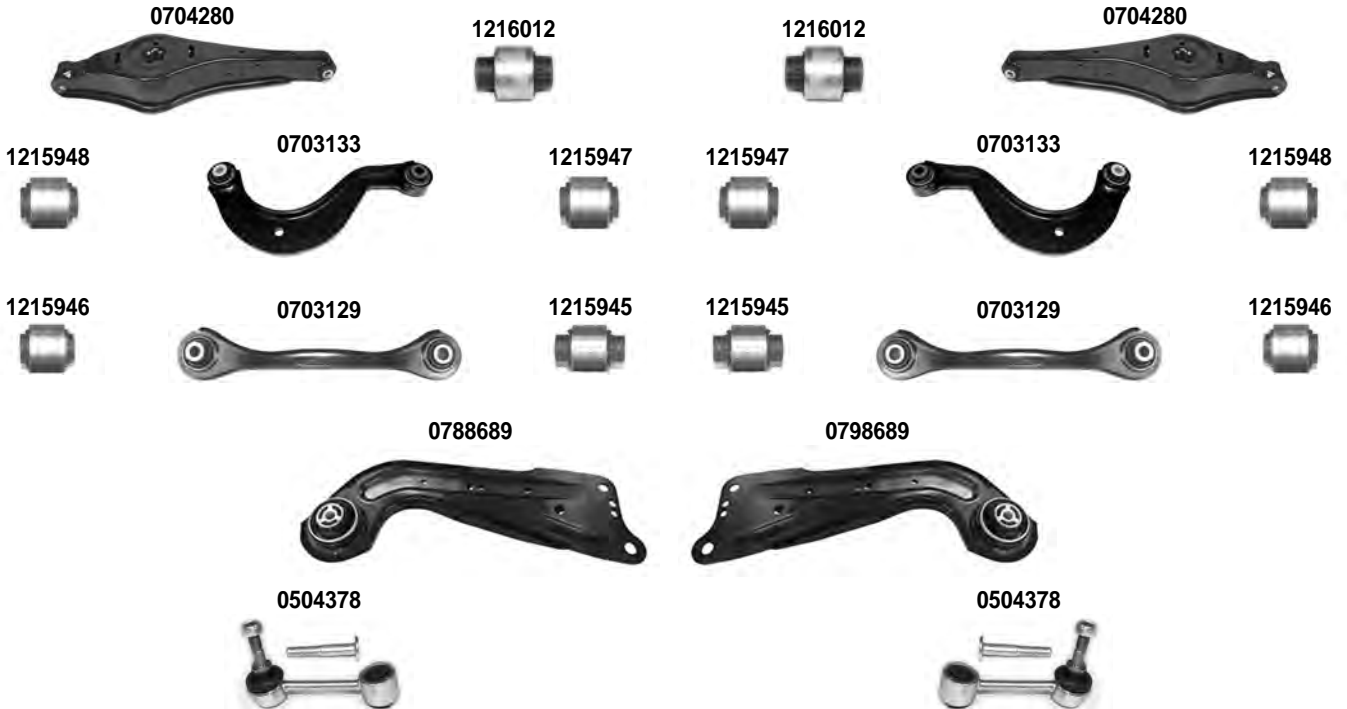
8X1
8XA

05/2010 >
11/2011 >

Asse Posteriore



Rear Axle



i 5) SOLO PER MOD. QUATTRO - ONLY FOR QUATTRO MODEL 6) 11/2014 >

OCAP	O.E.		i	
0504378	1K0505465K	STABILIZZATORE STABILIZER LINK	5)	
0703129	1K0501529J	BRACCIO SOSPENSIONE SUSPENSION ARM	5)	
0703133	1K0505323N	BRACCIO SOSPENSIONE SUSPENSION ARM	5)	
0704280	1K0505311AB	BRACCIO SOSPENSIONE SUSPENSION ARM	5)	
0788689	6R0505224	BRACCIO SOSPENSIONE SUSPENSION ARM	5) 6)	
0798689	6R0505223	BRACCIO SOSPENSIONE SUSPENSION ARM	5) 6)	
1215945	-	SILENTBLOCK BRACCIO SOSPENSIONE - INTERNO CONTROL ARM BUSHING - INNER		DIAM. 12 mm.
1215946	-	SILENTBLOCK BRACCIO SOSPENSIONE - ESTERNO CONTROL ARM BUSHING - OUTER		DIAM. 14 mm.
1215947	1K0505279A	SILENTBLOCK BRACCIO SOSPENSIONE - INTERNO - DIAM. 12 MM. SUSPENSION ARM BUSHING - INNER		DIAM. 12 mm.
1215948	1K0505203A	SILENTBLOCK BRACCIO SOSPENSIONE - ESTERNO SUSPENSION ARM BUSHING - OUTER		DIAM. 14 mm.
1216012	-	SILENTBLOCK BUSHING		

A 1 SPORTBACK

DESTRO
RIGHT



SINISTRO
LEFT

A 1 SPORTBACK

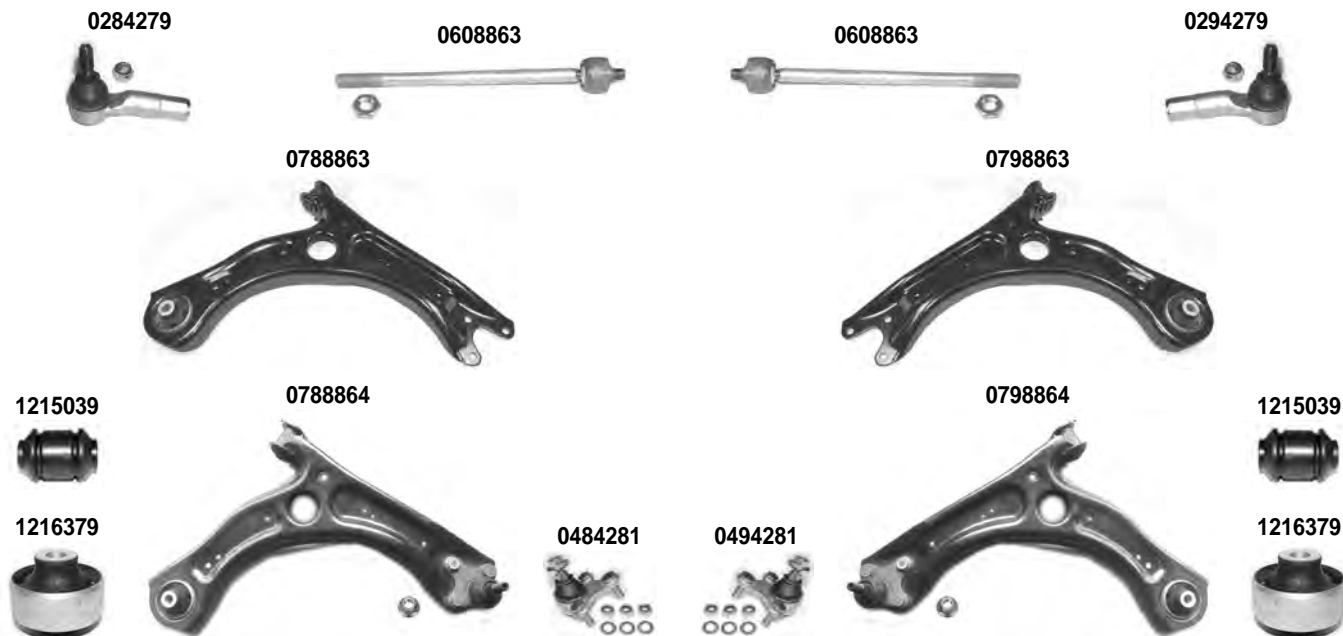
GBA

07/2018 >

Asse Anteriore



Front Axle



i 1) 1.5 TSI - 2.0 TSI

OCAP	O.E.		i	
0284279	1K0423812E	TESTA STERZO TIE ROD END		RHT M16x1,5
0294279	1K0423811E	TESTA STERZO TIE ROD END		RHT M16x1,5
0484281	5Q0407366A	SNODO SOSPENSIONE BALL JOINT		
0494281	5Q0407365A	SNODO SOSPENSIONE BALL JOINT		
0608863	2Q0423810D	SNODO ASSIALE AXIAL JOINT		RHT M16x1,5
0788863	2Q0407152B	BRACCIO OSCILLANTE - INFERIORE TRACK CONTROL ARM - LOWER	1)	
0788864	2Q0407152B *	BRACCIO OSCILLANTE COMPLETO COMPLETE TRACK CONTROL ARM	1)	
0798863	2Q0407151B	BRACCIO OSCILLANTE - INFERIORE TRACK CONTROL ARM - LOWER	1)	
0798864	2Q0407151B *	BRACCIO OSCILLANTE COMPLETO COMPLETE TRACK CONTROL ARM	1)	
1215039	357407182	SILENTBLOCK BUSHING		
1216379	2Q0407152B **	SILENTBLOCK BUSHING	1)	

DESTRO
RIGHT



SINISTRO
LEFT

A 1 SPORTBACK

GBA

07/2018 >

Asse Anteriore



Front Axle



i 2) 1.0 TSI

OCAP	O.E.		i	
0484281	5Q0407366A	SNODO SOSPENSIONE BALL JOINT		
0494281	5Q0407365A	SNODO SOSPENSIONE BALL JOINT		
0501390	6Q0411315G	STABILIZZATORE STABILIZER LINK		
0788865	2Q0407152C	BRACCIO OSCILLANTE - INFERIORE TRACK CONTROL ARM - LOWER	2)	
0788866	2Q0407152C *	BRACCIO OSCILLANTE COMPLETO COMPLETE TRACK CONTROL ARM	2)	
0798865	2Q0407151C	BRACCIO OSCILLANTE - INFERIORE TRACK CONTROL ARM - LOWER	2)	
0798866	2Q0407151C *	BRACCIO OSCILLANTE COMPLETO COMPLETE TRACK CONTROL ARM	2)	
1215039	357407182	SILENTBLOCK BUSHING		
1216229	5Q0407183E	SILENTBLOCK BUSHING	2)	

A 2

DESTRO
RIGHT



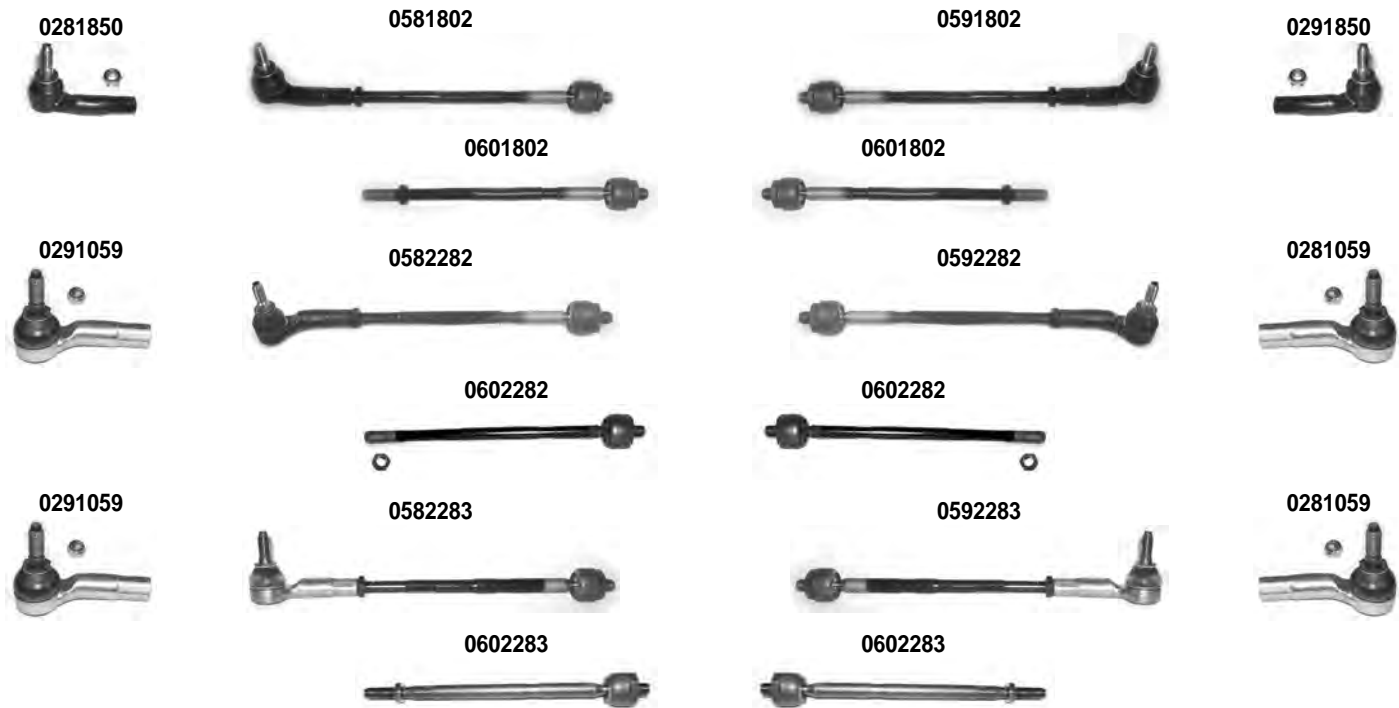
SINISTRO
LEFT

A 2	8Z0	2000 >
-----	-----	--------

Asse Anteriore



Front Axle



<p>i 1) SERVOSTERZO ELETTRICO-IDRAULICO - ECCETTO MOD. 1.2 TDI - POWER STEERING ELECTRIC-HYDRAULIC - EXCEPT MOD. 1.2 TDI</p> <p>3) SERVOSTERZO ELETTRICO-IDRAULICO - SOLO PER MOD. 1.2 TDI - POWER STEERING ELECTRIC-HYDRAULIC - ONLY FOR MOD. 1.2 TDI</p>	<p>2) SOLO MOD. 1.2 TDI - STERZO MANUALEI - ONLY MOD. 1.2 TDI - MANUAL STEERING</p> <p>4) SOLO PER MOD. 1.2 TDI - ONLY FOR MOD. 1.2 TDI</p>
---	---

OCAP	O.E.		i	
0281059	8Z0419811A	TESTA STERZO TIE ROD END	4)	
0281850	6R0423812	TESTA STERZO TIE ROD END	1)	
0291059	8Z0419812A	TESTA STERZO TIE ROD END	4)	
0291850	6R0423811	TESTA STERZO TIE ROD END	1)	
0581802	8Z0423804F	BARRA STERZO TIE ROD	1)	
0582282	8Z0419804A	BARRA STERZO TIE ROD	2)	
0582283	8Z0423804G	BARRA STERZO TIE ROD	3)	
0591802	8Z0423803F	BARRA STERZO TIE ROD	1)	
0592282	8Z0419803A	BARRA STERZO TIE ROD	2)	
0592283	8Z0423803G	BARRA STERZO TIE ROD	3)	
0601802	-	SNODO ASSIALE AXIAL JOINT	1)	
0602282	-	SNODO ASSIALE AXIAL JOINT	2)	
0602283	6R0423804A *	SNODO ASSIALE AXIAL JOINT	3)	

DESTRO
RIGHT

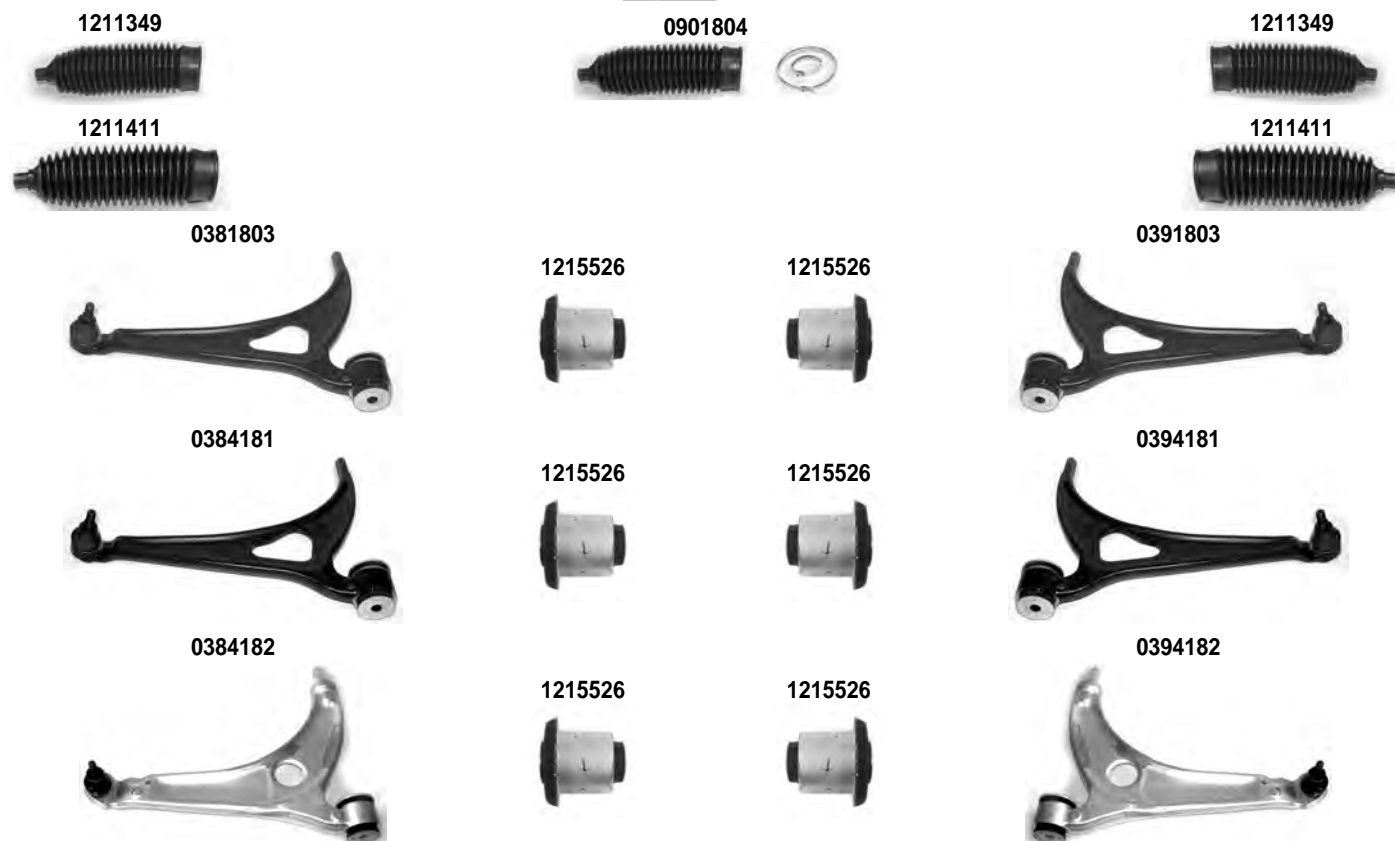
 SINISTRO
LEFT

A 2	8Z0	2000 >
-----	-----	--------

Asse Anteriore



Front Axle



2) SOLO MOD. 1.2 TDI - STERZO MANUALEI - ONLY MOD. 1.2 TDI - MANUAL STEERING 6) PER TUTTI I MOD. DA CH. 8Z-3-027-001 > - ECCEPPO 1.2 TDI - FOR ALL MOD. FROM CH. 8Z-3-027-001 > - EXCEPT MOD. 1.2 TDI 8) SOLO MOD. 1.4 TDI > 10/2002 - > CH. 8Z-3-019 682 - ONLY MOD. 1.4 TDI > 10/2002 - > CH. 8Z-3-019 682	5) PER TUTTI I MOD. 1.2 TDI - ALTRI MOD. > CH. 8Z-3-027-000 - FOR ALL MOD. 1.2 TDI - OTHER MOD. > CH. 8Z-3-027-000 7) TUTTI I MODELLI - MOD. 1.4 - 1.6 FSI > 10/2002 - > CH. 8Z-3-019 682 - ALL MODELS - MOD. 1.4 - 1.6 FSI > 10/2002 - > CH. 8Z-3-019 682 10) PER TUTTI I MODELLI - FOR ALL MODELS
--	---

OCAP	O.E.		i	
0381803	8Z0407152J	BRACCIO OSCILLANTE - ACCIAIO TRACK CONTROL ARM - STEEL	7)	
0384181	8Z0407152L	BRACCIO OSCILLANTE - ACCIAIO TRACK CONTROL ARM	8)	
0384182	8Z0407152R	BRACCIO OSCILLANTE - ALLUMINIO TRACK CONTROL ARM - ALUMINIUM	2)	
0391803	8Z0407151J	BRACCIO OSCILLANTE - ACCIAIO TRACK CONTROL ARM - STEEL	7)	
0394181	8Z0407151L	BRACCIO OSCILLANTE - ACCIAIO TRACK CONTROL ARM - STEEL	8)	
0394182	8Z0407151R	BRACCIO OSCILLANTE - ALLUMINIO TRACK CONTROL ARM - ALUMINIUM	2)	
0901804	6E0419831 *	KIT CUFFIE STERZO STEERING GAITER	5)	
1211349	6E0419831	CUFFIA STERZO STEERING GAITER	5)	
1211411	6Q0423831D	CUFFIA STERZO STEERING GAITER	6)	
1215526	8Z0407182C	SILENTBLOCK CENTRALE CENTRAL BUSHING	10)	

A 2

DESTRO
RIGHT



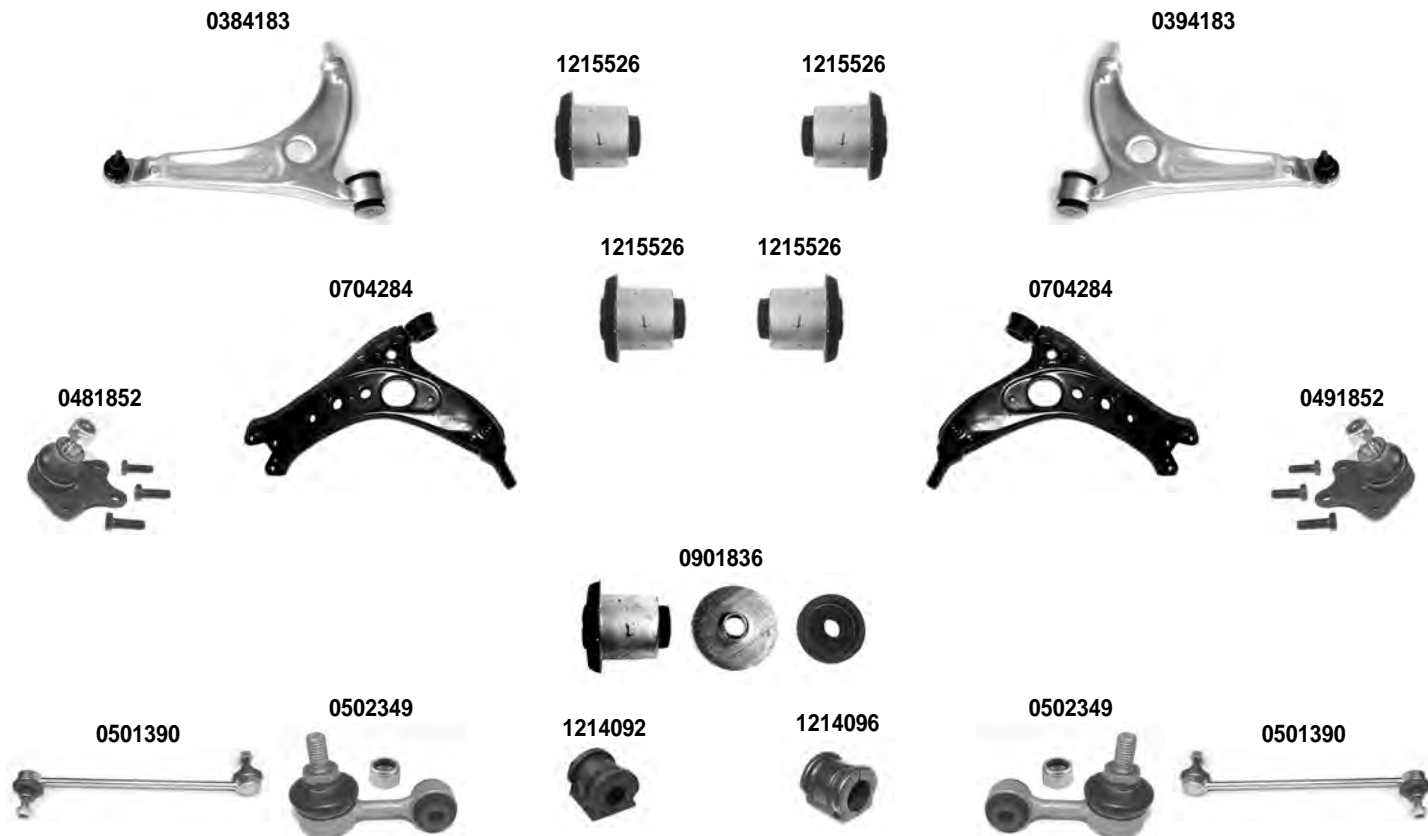
SINISTRO
LEFT

A 2	8Z0	2000 >
-----	-----	--------

Asse Anteriore



Front Axle



<p>i 3) SERVOSTERZO ELETTRICO-IDRAULICO - SOLO PER MOD. 1.2 TDI - POWER STEERING ELECTRIC-HYDRAULIC - ONLY FOR MOD. 1.2 TDI</p> <p>9) ECCEPTE MOD. 1.2 TDI CH. 8Z-3-019 683 > - EXCEPT MOD. 1.2 TDI CH. 8Z-3-019 683 ></p>	<p>4) SOLO PER MOD. 1.2 TDI - ONLY FOR MOD. 1.2 TDI</p> <p>10) PER TUTTI I MODELLI - FOR ALL MODELS</p>
---	---

OCAP	O.E.		i	
0384183	8Z0407152S	BRACCIO OSCILLANTE - ALLUMINIO TRACK CONTROL ARM - ALUMINIUM	3)	
0394183	8Z0407151S	BRACCIO OSCILLANTE - ALLUMINIO TRACK CONTROL ARM - ALUMINIUM	3)	
0481852	8Z0407366A	SNODO SOSPENSIONE BALL JOINT		
0491852	8Z0407365A	SNODO SOSPENSIONE BALL JOINT		
0501390	6Q0411315G	STABILIZZATORE STABILIZER LINK		
0502349	8Z0411315B	STABILIZZATORE STABILIZER LINK	4)	
0704284	8Z0407153L	BRACCIO OSCILLANTE TRACK CONTROL ARM	9)	
0901836	8Z0407182B *	KIT SILENTBLOCK SUSPENSION BUSHING KIT	10)	
1214092	6Q0411314L	SILENTBLOCK BARRA STABILIZZATRICE STABILIZING BAR BUSHING		DIAM. 16 mm.
1214096	8Z0411314B	SILENTBLOCK BARRA STABILIZZATRICE STABILIZING BAR BUSHING		DIAM. 20.8 mm.
1215526	8Z0407182C	SILENTBLOCK CENTRALE CENTRAL BUSHING	10)	

DESTRO
RIGHT

 SINISTRO
LEFT

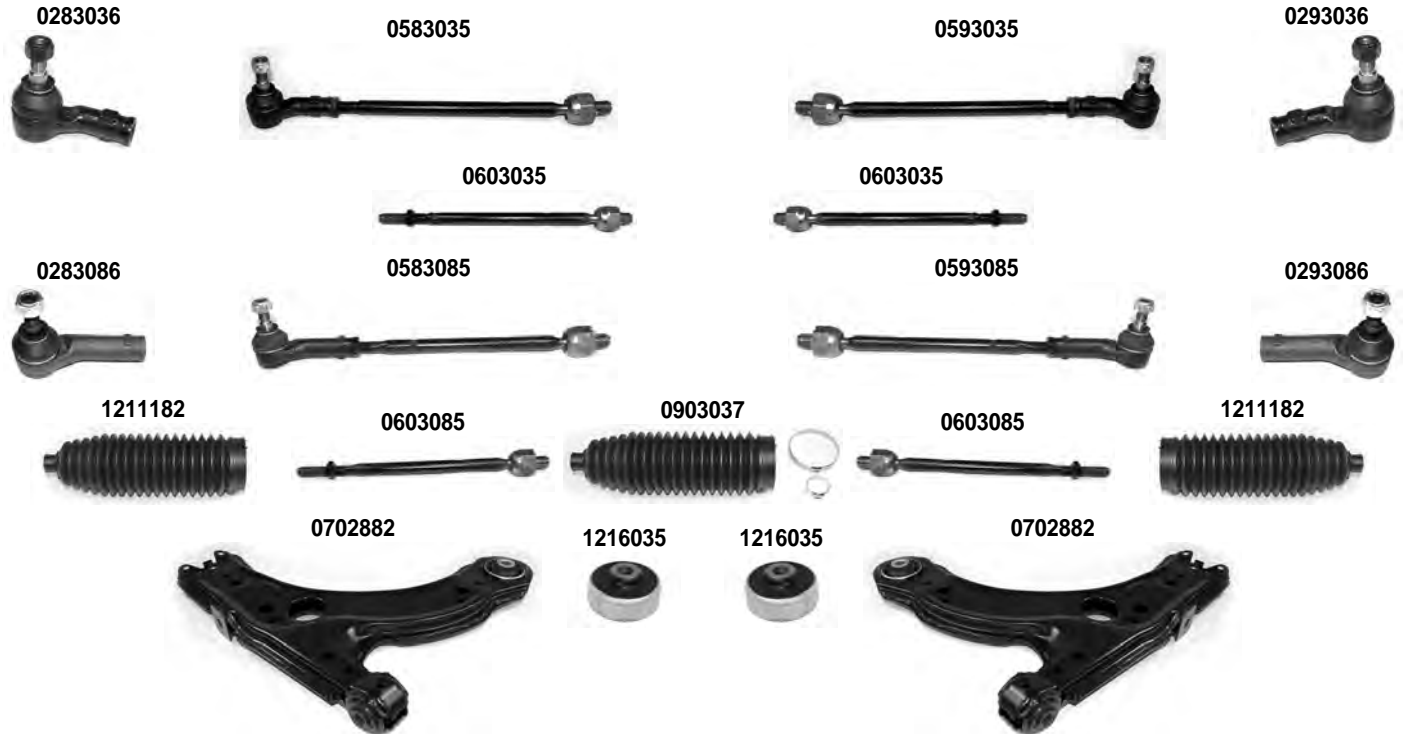
A 3

1996 > 2003

Asse Anteriore



Front Axle



i 1) > CH. 8L-W-050421 7) VERSIONE RINFORZATA - RENFORCED	2) CH. 8L-W-050422 >
---	----------------------

OCAP	O.E.				
0283036	1J0422812A	TESTA STERZO TIE ROD END	i		1) RHT M14x1,5
0283086	1J0422812B	TESTA STERZO TIE ROD END	2)		RHT M14x1,5
0293036	1J0422811	TESTA STERZO TIE ROD END	1)		RHT M14x1,5
0293086	1J0422811B	TESTA STERZO TIE ROD END	2)		RHT M14x1,5
0583035	1J0422804	BARRA STERZO TIE ROD	1)		
0583085	1J0422804B	BARRA STERZO TIE ROD	2)		
0593035	1J0422803	BARRA STERZO TIE ROD	1)		
0593085	1J0422803B	BARRA STERZO TIE ROD	2)		
0603035	1J0422807	SNODO ASSIALE AXIAL JOINT	1)		RHT M14x1,5
0603085	1J0422807B	SNODO ASSIALE AXIAL JOINT	2)		RHT M14x1,5
0702882	1J0407151B	BRACCIO OSCILLANTE CON SILENTBLOCK TRACK CONTROL ARM WITH BUSHING			
0903037	-	KIT CUFFIE STERZO STEERING GAITER KIT			
1211182	1J0422831	CUFFIA STERZO STEERING GAITER			
1216035	8N0407181B	SILENTBLOCK BUSHING	7)		

DESTRO
RIGHT



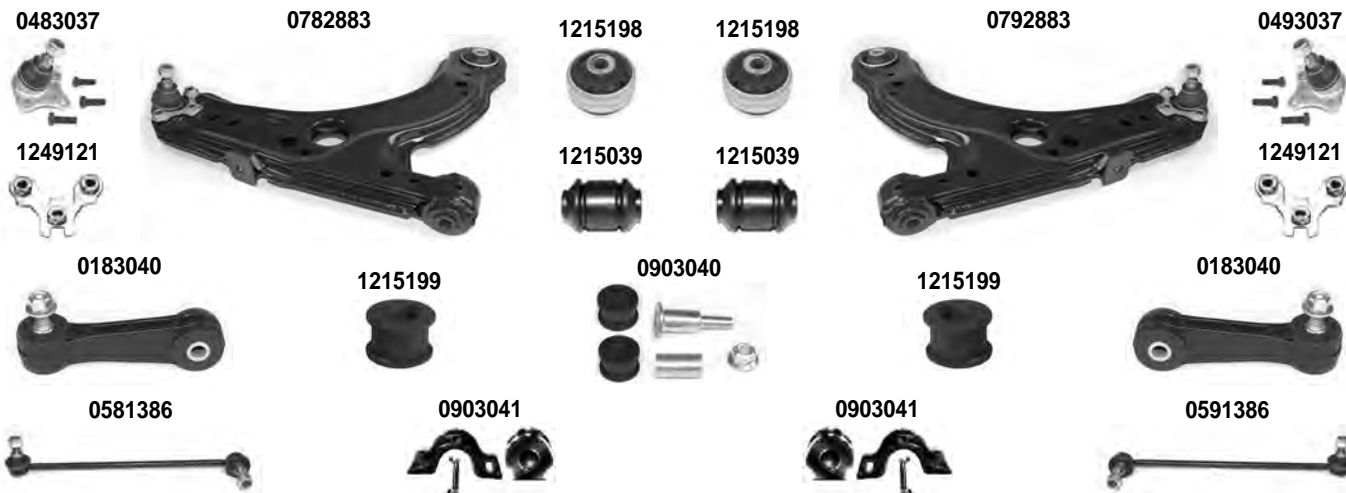
SINISTRO
LEFT

A 3		1996 > 2003
-----	--	-------------

Asse Anteriore



Front Axle



i 3) PER BARRE DIAM. 21 mm. - FOR BAR DIAM. 21 mm.	4) SOLO PER MOD. QUATTRO - ONLY FOR QUATTRO MODELS
---	--

OCAP	O.E.		i	
0183040	1J0411315C	STABILIZZATORE STABILIZER LINK	3)	
0483037	1J0407366C	SNODO SOSPENSIONE SUSPENSION JOINT		DIAM. 15 mm.
0493037	1J0407365C	SNODO SOSPENSIONE SUSPENSION JOINT		DIAM. 15 mm.
0581386	1J0411316D	STABILIZZATORE STABILIZER LINK	4)	
0591386	1J0411315D	STABILIZZATORE STABILIZER LINK	4)	
0782883	-	BRACCIO OSCILLANTE COMPLETO COMPLETE TRACK CONTROL ARM		
0792883	-	BRACCIO OSCILLANTE COMPLETO COMPLETE TRACK CONTROL ARM		
0903040	1J0411323	KIT STABILIZZATORE STABILIZER LINK KIT		
0903041	1J0411336B	KIT SILENTBLOCK BARRA STABILIZZATRICE STABILIZING BAR BUSHING KIT		DIAM. 19 mm.
1215039	357407182	SILENTBLOCK BUSHING		
1215198	1J0407181	SILENTBLOCK BUSHING		
1215199	1J0411327	SILENTBLOCK PER STABILIZZATORE STABILIZER LINK BUSHING		
1249121	1H0407175A	STAFFA STIRRUP		

DESTRO
RIGHT

 SINISTRO
LEFT

A 3

1996 > 2003

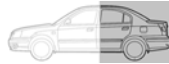
Asse Anteriore



Front Axle



Asse Posteriore



Rear Axle



i 5) SOLO PER MOD. QUATTRO SENZA DOTAZIONE STRADE DISSESTATE - ONLY FOR QUATTRO MODELS WITHOUT OFF-ROAD SUSPENSION	i 6) SOLO PER MOD. QUATTRO CON DOTAZIONE STRADE DISSESTATE - ONLY FOR QUATTRO MODELS WITH OFF-ROAD SUSPENSION
---	--

OCAP	O.E.			
0502118	1J0505466B	STABILIZZATORE STABILIZER LINK	i	
0502119	1J0505466C	STABILIZZATORE STABILIZER LINK	5)	
0903137	6R0501541A *	KIT SILENTBLOCK BUSHING KIT	6)	DIAM. 72 mm.
0905577	1J0501541D *	KIT SILENTBLOCK BUSHING KIT		DIAM. 69 mm.
1214089	1J0411314T	SILENTBLOCK BARRA STABILIZZATRICE STABILIZING BAR BUSHING		DIAM. 21 mm.
1214128	1J0411314P	SILENTBLOCK BARRA STABILIZZATRICE STABILIZING BAR BUSHING		DIAM. 20 mm.
1214133	1J0411314S	SILENTBLOCK BARRA STABILIZZATRICE STABILIZING BAR BUSHING		DIAM. 17 mm.
1214142	1J0411314AC	SILENTBLOCK BARRA STABILIZZATRICE STABILIZING BAR BUSHING		DIAM. 18 mm.
1215200	6R0501541A	SILENTBLOCK BUSHING		DIAM. 72 mm.
1216151	1J0501541D	SILENTBLOCK BUSHING		DIAM. 69 mm.

DESTRO
RIGHT



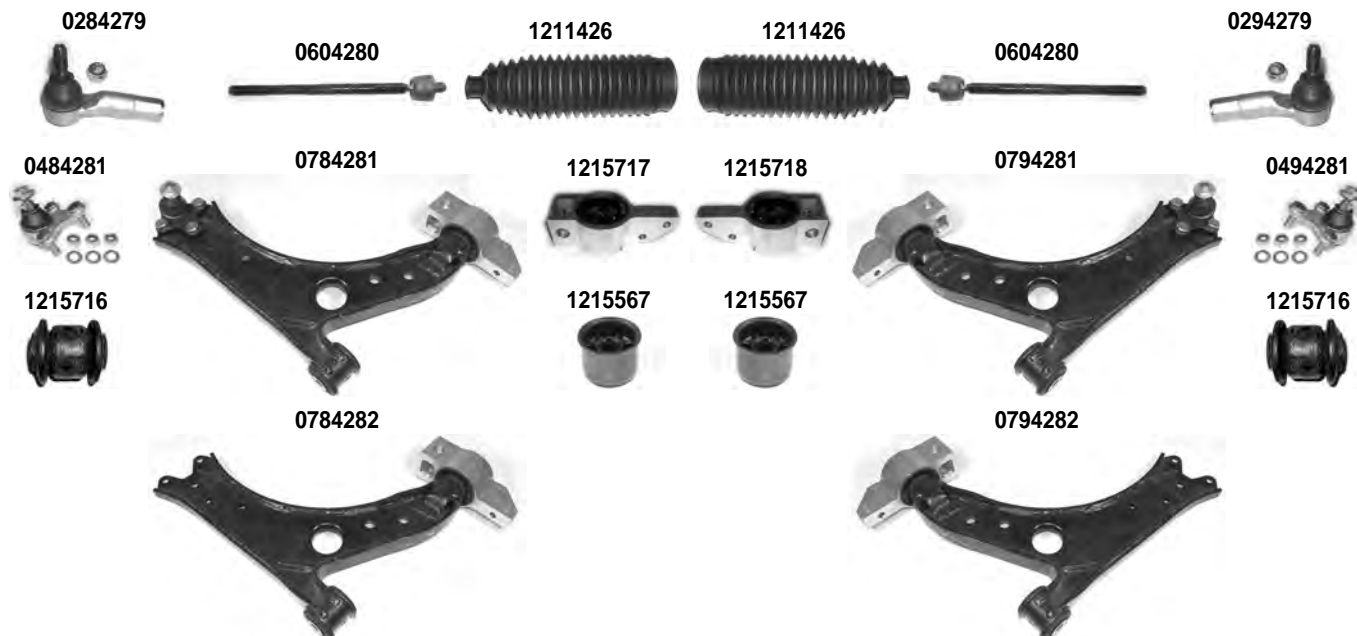
SINISTRO
LEFT

A 3 A 3 SPORTBACK	8P1 8PA	05/2003 > 2012 09/2004 > 2013
----------------------	------------	----------------------------------

Asse Anteriore



Front Axle



i 1) SOLO MOTORI A BENZINA SENZA REGOLAZIONE AUTOMATICA FARI - ONLY FOR GASOLINE ENGINES WITHOUT HEADLAMPS AUTOMATIC ADJUSTMENT

OCAP	O.E.		i	
0284279	1K0423812E	TESTA STERZO TIE ROD END		RHT M16x1,5
0294279	1K0423811E	TESTA STERZO TIE ROD END		RHT M16x1,5
0484281	5Q0407366A	SNODO SOSPENSIONE BALL JOINT		
0494281	5Q0407365A	SNODO SOSPENSIONE BALL JOINT		
0604280	1K0423810A	SNODO ASSIALE AXIAL JOINT - RHT M16x1,5		RHT M16x1,5
0784281	1K0407152AB *	BRACCIO OSCILLANTE COMPLETO COMPLETE TRACK CONTROL ARM	1)	
0784282	1K0407152AB	BRACCIO OSCILLANTE TRACK CONTROL ARM	1)	
0794281	1K0407151AB *	BRACCIO OSCILLANTE COMPLETO COMPLETE TRACK CONTROL ARM	1)	
0794282	1K0407151AB	BRACCIO OSCILLANTE TRACK CONTROL ARM	1)	
1211426	1K0423831A	CUFFIA STERZO STEERING GAITER		
1215567	1K0407183E	SILENTBLOCK BUSHING		
1215716	1K0407182	SILENTBLOCK CENTRALE CENTRAL BUSHING		
1215717	1K0199232J	SILENTBLOCK ESTREMO - ALLUMINIO OUTER BUSHING - ALUMINIUM		
1215718	1K0199231J	SILENTBLOCK ESTREMO - ALLUMINIO OUTER BUSHING - ALUMINIUM		

DESTRO
RIGHT

 SINISTRO
LEFT

A 3
A 3 SPORTBACK

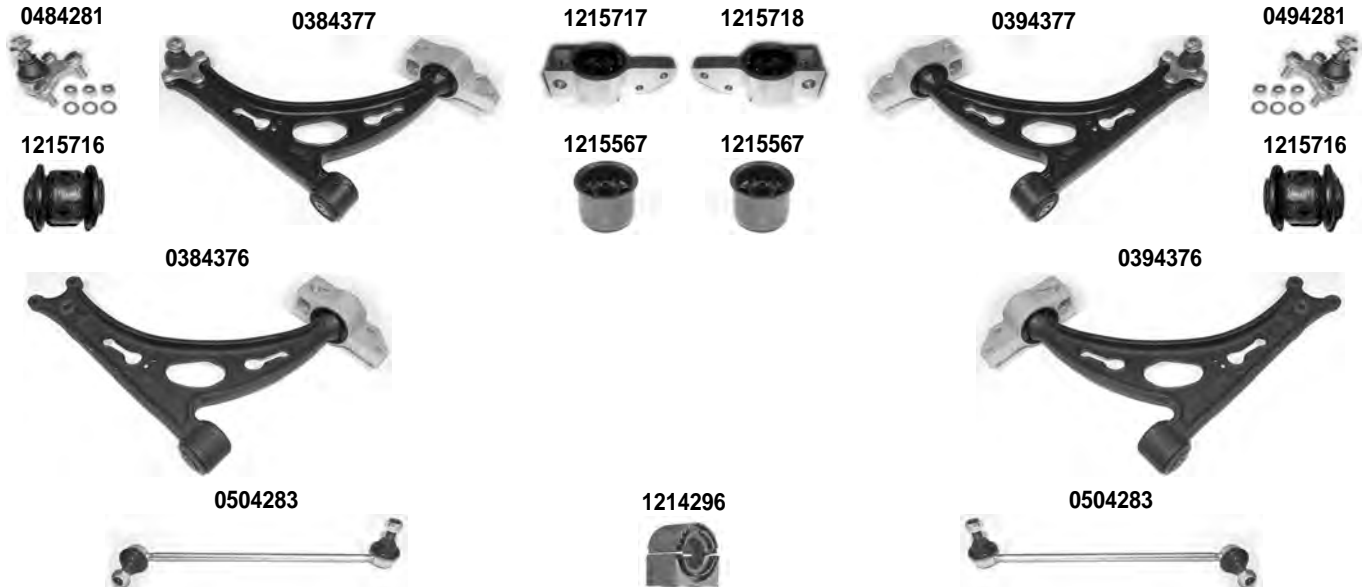
 8P1
8PA

 05/2003 > 2012
09/2004 > 2013

Asse Anteriore



Front Axle



i 2) SOLO MOTORI DIESEL E VEICOLI CON REGOLAZIONE AUTOMATICA FARI - ONLY FOR DIESEL ENGINES AND CARS WITH HEADLAMPS AUTOMATIC ADJUSTMENT

OCAP	O.E.		i	
0384376	1K0407152AC	BRACCIO OSCILLANTE - GHISA TRACK CONTROL ARM - CAST IRON	2)	
0384377	1K0407152AC *	BRACCIO OSCILLANTE COMPLETO - GHISA COMPLETE TRACK CONTROL ARM - CAST IRON	2)	
0394376	1K0407151AC	BRACCIO OSCILLANTE - GHISA TRACK CONTROL ARM - CAST IRON	2)	
0394377	1K0407151AC *	BRACCIO OSCILLANTE COMPLETO - GHISA COMPLETE TRACK CONTROL ARM - CAST IRON	2)	
0484281	5Q0407366A	SNODO SOSPENSIONE BALL JOINT		
0494281	5Q0407365A	SNODO SOSPENSIONE BALL JOINT		
0504283	1K0411315J	STABILIZZATORE STABILIZER LINK		
1214296	1K0411303AM *	SILENTBLOCK BARRA STABILIZZATRICE STABILIZING BAR BUSHING		DIAM. 23 mm.
1215567	1K0407183E	SILENTBLOCK BUSHING		
1215716	1K0407182	SILENTBLOCK CENTRALE CENTRAL BUSHING		
1215717	1K0199232J	SILENTBLOCK ESTREMO - ALLUMINIO OUTER BUSHING - ALUMINIUM		
1215718	1K0199231J	SILENTBLOCK ESTREMO - ALLUMINIO OUTER BUSHING - ALUMINIUM		

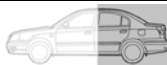
DESTRO
RIGHT



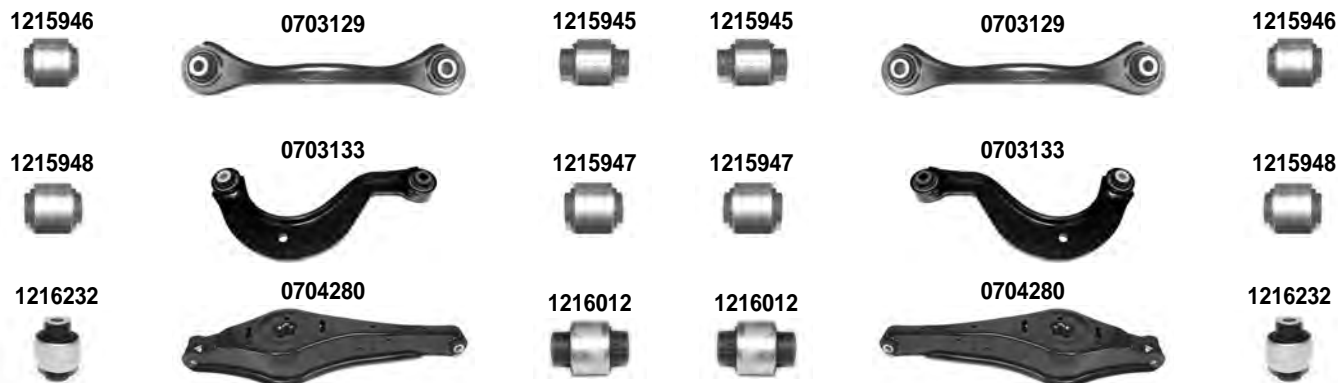
SINISTRO
LEFT

A 3 A 3 SPORTBACK	8P1 8PA	05/2003 > 2012 09/2004 > 2013
----------------------	------------	----------------------------------

Asse Posteriore



Rear Axle



i 3) 06/2009 >

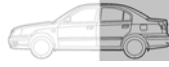
OCAP	O.E.		i	
0703129	1K0501529J	BRACCIO SOSPENSIONE CONTROL ARM	3)	
0703133	1K0505323N	BRACCIO SOSPENSIONE SUSPENSION ARM		
0704280	1K0505311AB	BRACCIO SOSPENSIONE CONTROL ARM		
1215945	-	SILENTBLOCK BRACCIO SOSPENSIONE - INTERNO CONTROL ARM BUSHING - INNER		DIAM. 12 mm.
1215946	-	SILENTBLOCK BRACCIO SOSPENSIONE - ESTERNO CONTROL ARM BUSHING - OUTER		DIAM. 14 mm.
1215947	1K0505279A	SILENTBLOCK BRACCIO SOSPENSIONE - INTERNO SUSPENSION ARM BUSHING - INNER		DIAM. 12 mm.
1215948	1K0505203A	SILENTBLOCK BRACCIO SOSPENSIONE - ESTERNO SUSPENSION ARM BUSHING - OUTER		DIAM. 14 mm.
1216012	-	SILENTBLOCK BUSHING		
1216232	1K0505553A	SILENTBLOCK BUSHING		

DESTRO
RIGHT

 SINISTRO
LEFT

A 3 A 3 SPORTBACK	8P1 8PA	05/2003 > 2012 09/2004 > 2013
----------------------	------------	----------------------------------

Asse Posteriore



Rear Axle

1216070



0788076



0798076



1216070



0504378



1214130



1214131






1214144



0504378



OCAP	O.E.			
0504378	1K0505465K	STABILIZZATORE STABILIZER LINK		
0788076	1K0505224K	BRACCIO SOSPENSIONE CONTROL ARM		
0798076	1K0505223K	BRACCIO SOSPENSIONE CONTROL ARM		
1214130	1K0511327AE	SILENTBLOCK BARRA STABILIZZATRICE STABILIZING BAR BUSHING		DIAM. 18.5 mm.
1214131	1K0511327AR	SILENTBLOCK BARRA STABILIZZATRICE STABILIZING BAR BUSHING		DIAM. 20.7 mm.
1214144	1K0511327AQ	SILENTBLOCK BARRA STABILIZZATRICE STABILIZING BAR BUSHING		DIAM. 17 mm.
1216070	1K0505541C	SILENTBLOCK BUSHING		

DESTRO
RIGHT



SINISTRO
LEFT

A 3 A 3 SPORTBACK	8V1 8VA	04/2012 > 09/2012 >
----------------------	------------	------------------------

Asse Anteriore



Front Axle



i 1) MODELLI RUOTE STANDARD > 15" - > 15" WHEELS STANDARD

OCAP	O.E.		i	
0284279	1K0423812E	TESTA STERZO TIE ROD END		RHT M16X1,5
0294279	1K0423811E	TESTA STERZO TIE ROD END		RHT M16X1,5
0484281	5Q0407366A	SNODO SOSPENSIONE BALL JOINT	1)	
0494281	5Q0407365A	SNODO SOSPENSIONE BALL JOINT	1)	
0604280	1K0423810A	SNODO ASSIALE AXIAL JOINT		RHT M16X1,5
0785748	5Q0407152J	BRACCIO OSCILLANTE TRACK CONTROL ARM		
0785749	5Q0407152J *	BRACCIO OSCILLANTE - COMPLETO COMPLETE TRACK CONTROL ARM	1)	
0795748	5Q0407151J	BRACCIO OSCILLANTE TRACK CONTROL ARM		
0795749	5Q0407151J *	BRACCIO OSCILLANTE - COMPLETO COMPLETE TRACK CONTROL ARM	1)	
1211426	1K0423831A	CUFFIA STERZO STEERING GAITER		
1215716	1K0407182	SILENTBLOCK CENTRALE CENTRAL BUSHING		
1216229	5Q0407183E	SILENTBLOCK ESTREMO OUTER BUSHING		

DESTRO
RIGHT

 SINISTRO
LEFT

A 3
A 3 SPORTBACK

 8V1
8VA



 04/2012 >
09/2012 >

Asse Anteriore



Front Axle


i 2) MODELLI RUOTE 16" > - WHEELS 16" >

OCAP	O.E.		i	
0482117	3C0407366B	SNODO SOSPENSIONE BALL JOINT	2)	
0492117	3C0407365B	SNODO SOSPENSIONE BALL JOINT	2)	
0504283	1K0411315J	STABILIZZATORE STABILIZER LINK		
0785750	3C0407366B *	BRACCIO OSCILLANTE - COMPLETO COMPLETE TRACK CONTROL ARM	2)	
0795750	3C0407365B *	BRACCIO OSCILLANTE - COMPLETO COMPLETE TRACK CONTROL ARM	2)	
1215716	1K0407182	SILENTBLOCK CENTRALE CENTRAL BUSHING		
1216229	5Q0407183E	SILENTBLOCK ESTREMO OUTER BUSHING		

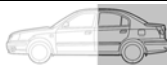
DESTRO
RIGHT



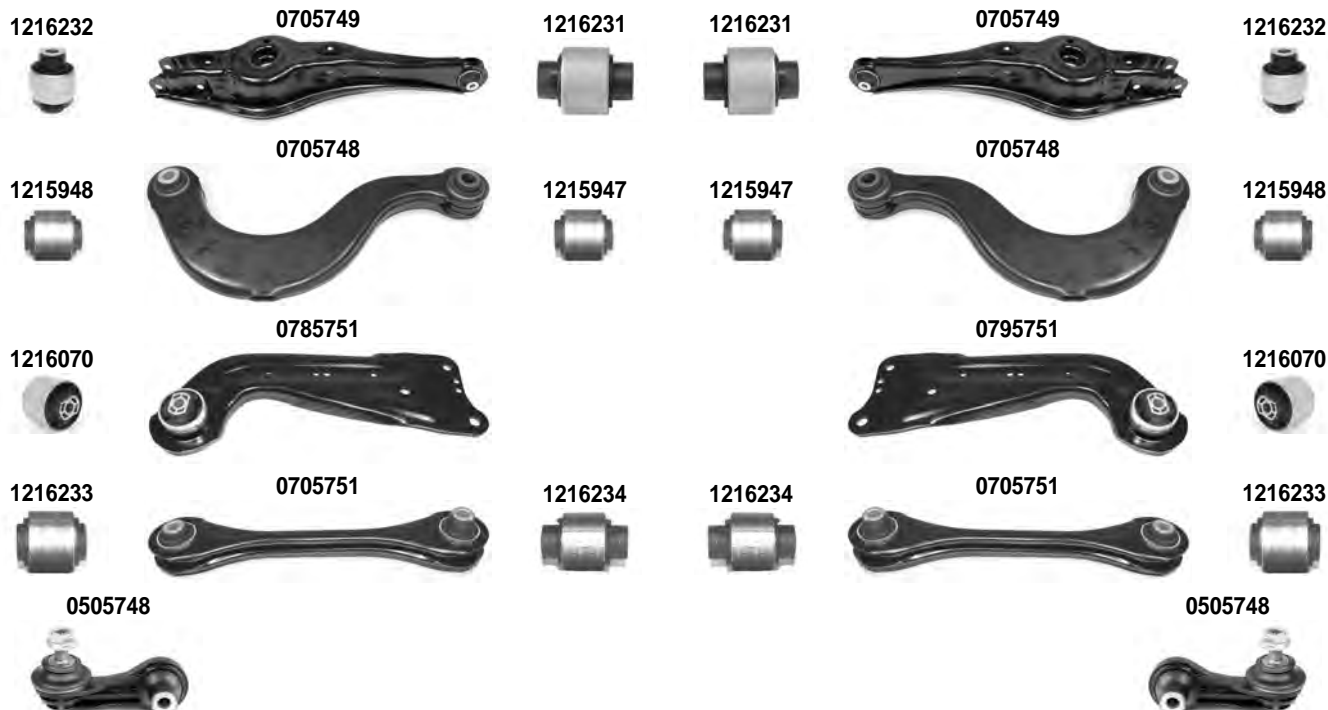
SINISTRO
LEFT

A 3 A 3 SPORTBACK	8V1 8VA	04/2012 > 09/2012 >
----------------------	------------	------------------------

Asse Posteriore



Rear Axle



i 3) SOLO PER SOSPENSIONI MULTILINK - ONLY FOR MULTILINK SUSPENSION

OCAP	O.E.		i	
0505748	5Q0505465C	STABILIZZATORE STABILIZER LINK	3)	
0705748	5Q0505323D	BRACCIO SOSPENSIONE SUSPENSION ARM	3)	
0705749	5Q0505311D	BRACCIO SOSPENSIONE SUSPENSION ARM	3)	
0705751	5Q0501529C	BRACCIO SOSPENSIONE SUSPENSION ARM	3)	
0785751	5Q0505224D	BRACCIO SOSPENSIONE SUSPENSION ARM	3)	
0795751	5Q0505223D	BRACCIO SOSPENSIONE SUSPENSION ARM	3)	
1215947	1K0505279A	SILENTBLOCK BRACCIO SOSPENSIONE - INTERNO CONTROL ARM BUSHING - INNER	3)	DIAM. 12 mm.
1215948	1K0505203A	SILENTBLOCK BRACCIO SOSPENSIONE - ESTERNO CONTROL ARM BUSHING - OUTER	3)	DIAM. 14 mm.
1216070	1K0407541C	SILENTBLOCK BUSHING	3)	
1216231	5Q0505311D *	SILENTBLOCK BUSHING	3)	
1216232	1K0505553A	SILENTBLOCK BUSHING	3)	
1216233	5Q0501529C *	SILENTBLOCK BUSHING	3)	
1216234	5Q0501529C **	SILENTBLOCK BUSHING	3)	

DESTRO
RIGHT

 SINISTRO
LEFT

A 4 / A4 AVANT / A4 QUATTRO

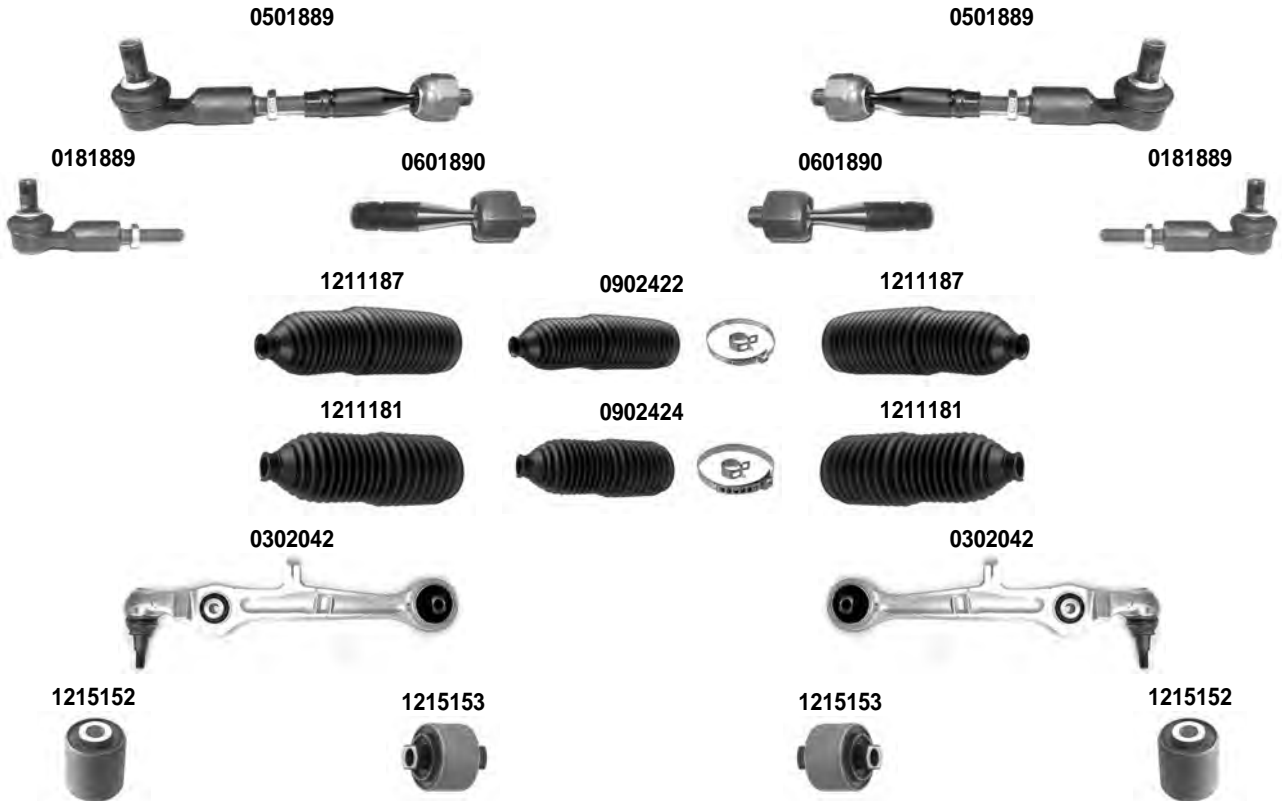
 8D2
8D5

1995 > 2001

Asse Anteriore



Front Axle



i	1) 4 CILINDRI - 4 CILINDRES	2) 6 CILINDRI - 6 CILINDRES
	3) ECCETTO RS4 - EXCEPT RS4	

OCAP	O.E.		
0181889	8E0419811B	TESTA STERZO <i>TIE ROD END</i>	RHT M14x1,5
0302042	4D0407151P	BRACCIO OSCILLANTE - ALLUMINIO <i>TRACK CONTROL ARM - ALUMINIUM</i>	3)
0501889	8E0419801B	BARRA STERZO <i>TIE ROD</i>	
0601890	8E0422821	SNODO ASSIALE <i>AXIAL JOINT</i>	RHT M14x1,5
0902422	-	KIT CUFFIA STERZO <i>STEERING GAITER KIT</i>	1)
0902424	-	KIT CUFFIA STERZO <i>STEERING GAITER KIT</i>	2)
1211181	4D0419831D	CUFFIA STERZO <i>STEERING GAITER</i>	2)
1211187	8D0419831J	CUFFIA STERZO <i>STEERING GAITER</i>	1)
1215152	4D0407181F	SILENTBLOCK CENTRALE <i>CENTRAL BUSHING</i>	
1215153	4D0407182E	SILENTBLOCK ESTREMO <i>OUTER BUSHING</i>	

DESTRO
RIGHT



SINISTRO
LEFT

A 4 / A4 AVANT / A4 QUATTRO

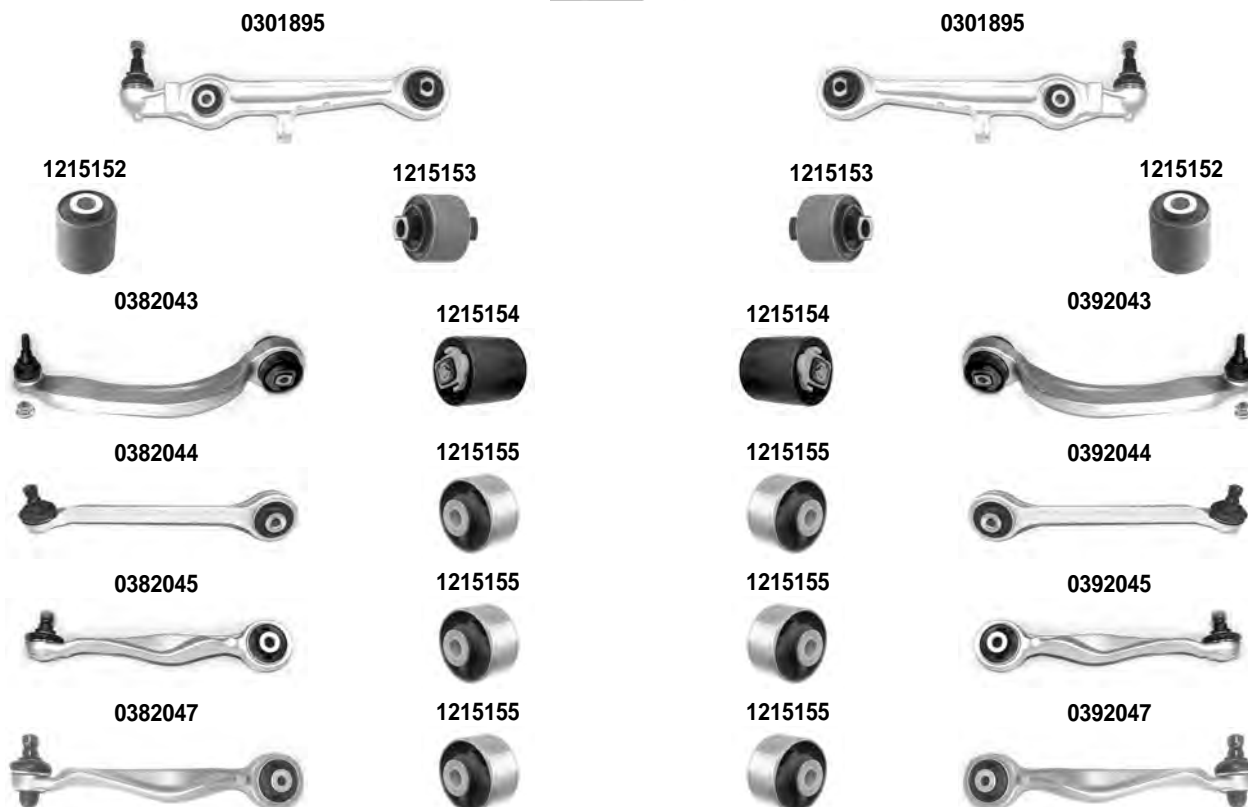
8D2
8D5

1995 > 2001

Asse Anteriore



Front Axle



i 4) SOLO PER RS4 - ONLY FOR RS4
6) CH. 8D-V-152087 >

5) > CH. 8D-V-152087

OCAP	O.E.		i	
0301895	4B3407151F	BRACCIO OSCILLANTE - ALLUMINIO TRACK CONTROL ARM - ALUMINIUM	4)	
0382043	8E0407694Q	BRACCIO OSCILLANTE - ALLUMINIO TRACK CONTROL ARM - ALUMINIUM		
0382044	8D0407506K	BRACCIO OSCILLANTE SUPERIORE - ALLUMINIO UPPER TRACK CONTROL ARM - ALUMINIUM		
0382045	4D0407510K	BRACCIO OSCILLANTE SUPERIORE - ALLUMINIO UPPER TRACK CONTROL ARM - ALUMINIUM	5)	
0382047	8E0407510A	BRACCIO OSCILLANTE SUPERIORE - ALLUMINIO UPPER TRACK CONTROL ARM - ALUMINIUM	6)	
0392043	8E0407693Q	BRACCIO OSCILLANTE - ALLUMINIO TRACK CONTROL ARM - ALUMINIUM		
0392044	8D0407505K	BRACCIO OSCILLANTE SUPERIORE - ALLUMINIO UPPER TRACK CONTROL ARM - ALUMINIUM		
0392045	4D0407509K	BRACCIO OSCILLANTE SUPERIORE - ALLUMINIO UPPER TRACK CONTROL ARM - ALUMINIUM	5)	
0392047	8E0407509A	BRACCIO OSCILLANTE SUPERIORE - ALLUMINIO UPPER TRACK CONTROL ARM - ALUMINIUM	6)	
1215152	4D0407181F	SILENTBLOCK CENTRALE CENTRAL BUSHING		
1215153	4D0407182E	SILENTBLOCK ESTREMO OUTER BUSHING		
1215154	4D0407183Q	SILENTBLOCK IDRAULICO HYDRAULIC BUSHING		
1215155	4B0407515	SILENTBLOCK BUSHING		

DESTRO
RIGHT

 SINISTRO
LEFT

A 4 / A4 AVANT / A4 QUATTRO

 8D2
8D5

1995 > 2001

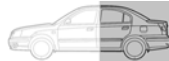
Asse Anteriore



Front Axle



Asse Posteriore



Rear Axle



i 7) > CH. 8D-W-290000 9) MOD. QUATTRO	8) CH. 8D-W-290001 >
--	----------------------

OCAP	O.E.		i	
0502046	4D0411317J	STABILIZZATORE - ALLUMINIO STABILIZER LINK - ALUMINIUM	7)	
0502196	8D0501530	STABILIZZATORE STABILIZER LINK	9)	
0581902	8D0411318D	STABILIZZATORE - ALLUMINIO STABILIZER LINK - ALUMINIUM	8)	
0582099	8A0505466C	STABILIZZATORE STABILIZER LINK	9)	
0591902	8D0411317D	STABILIZZATORE - ALLUMINIO STABILIZER LINK - ALUMINIUM	8)	
0592099	8A0505465C	STABILIZZATORE STABILIZER LINK	9)	
1214125	4D0411327E	SILENTBLOCK BARRA STABILIZZATRICE STABILIZING BAR BUSHING		DIAM. 25 mm.
1214126	4D0411327H	SILENTBLOCK BARRA STABILIZZATRICE STABILIZING BAR BUSHING		DIAM. 27 mm.
1216235	8D0501541A	SILENTBLOCK BUSHING		
0904185-K	8D0498998 *	KIT STERZO E SOSPENSIONI - SENZA STABILIZZATORI STEERING & SUSPENSION KIT - WITHOUT STABILIZER LINK		
0904190-K	4D0498998 *	KIT STERZO E SOSPENSIONI CON STABILIZZATORI STEERING & SUSPENSION KIT WITH STABILIZER LINK		

DESTRO
RIGHT



SINISTRO
LEFT

A 4 / A4 AVANT / A4 QUATTRO

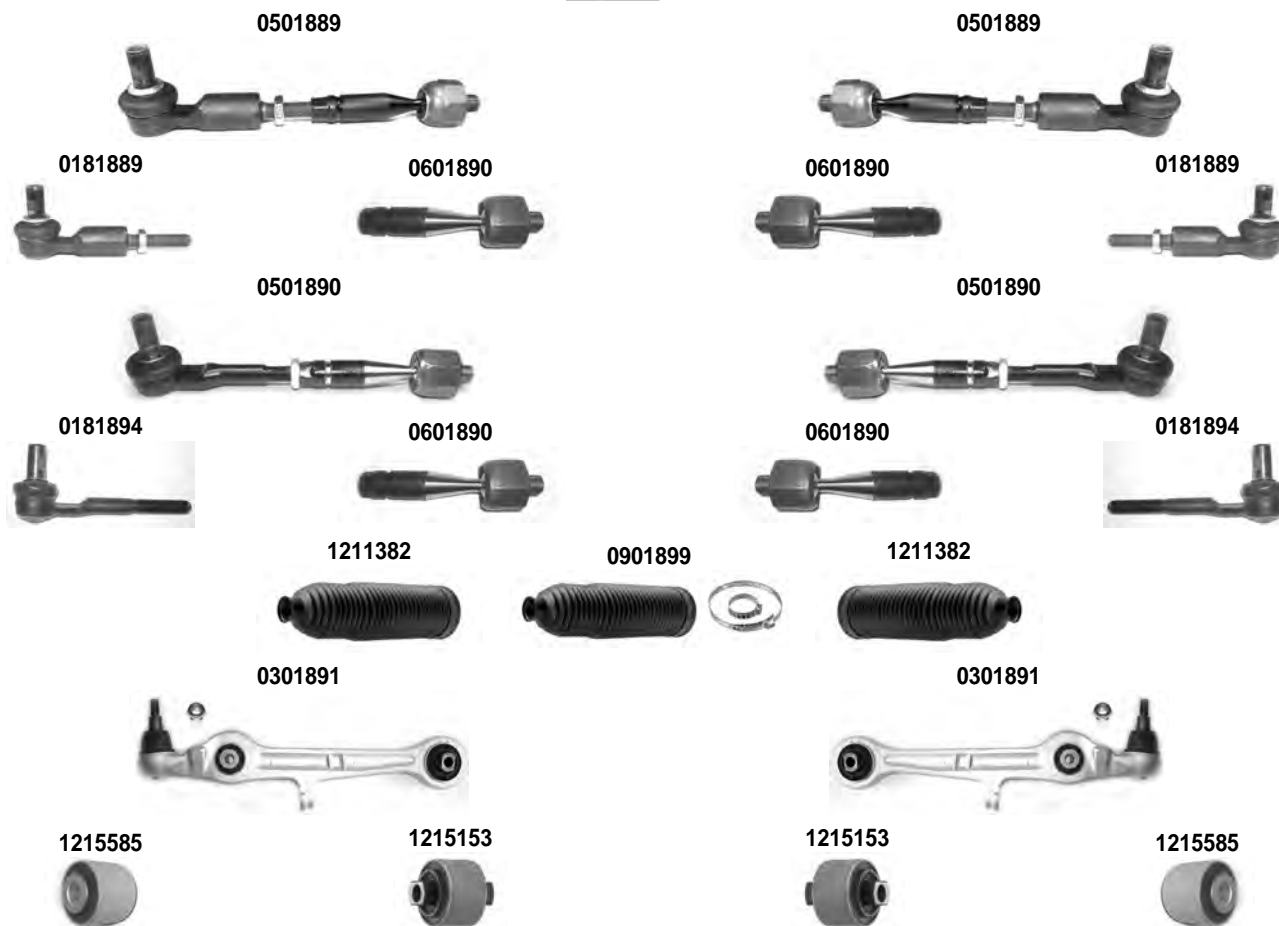
8E2-8E5

2001 > 2004

Asse Anteriore



Front Axle



i 1) SOLO PER MOD. QUATTRO - CHASSIS SPORTIVO - ONLY FOR QUATTRO MODELS - SPORT SUSPENSIONS

OCAP	O.E.		
0181889	8E0419811B	TESTA STERZO TIE ROD END	RHT M14x1,5
0181894	8E0419811	TESTA STERZO TIE ROD END	1) RHT M14x1,5
0301891	8E0407151R	BRACCIO OSCILLANTE - ALLUMINIO TRACK CONTROL ARM - ALUMINIUM	
0501889	8E0419801B	BARRA STERZO TIE ROD	
0501890	8E0419801E	BARRA STERZO TIE ROD	1)
0601890	8E0422821	SNODO ASSIALE AXIAL JOINT	RHT M14x1,5
0901899	8E0419831 *	KIT CUFFIA STERZO STEERING GAITER KIT	
1211382	8E0419831	CUFFIA STERZO STEERING GAITER	
1215153	4D0407182E	SILENTBLOCK ESTREMO OUTER BUSHING	
1215585	8E0407181B	SILENTBLOCK CENTRALE CENTRAL BUSHING	

DESTRO
RIGHT

 SINISTRO
LEFT

A 4 / A4 AVANT / A4 QUATTRO

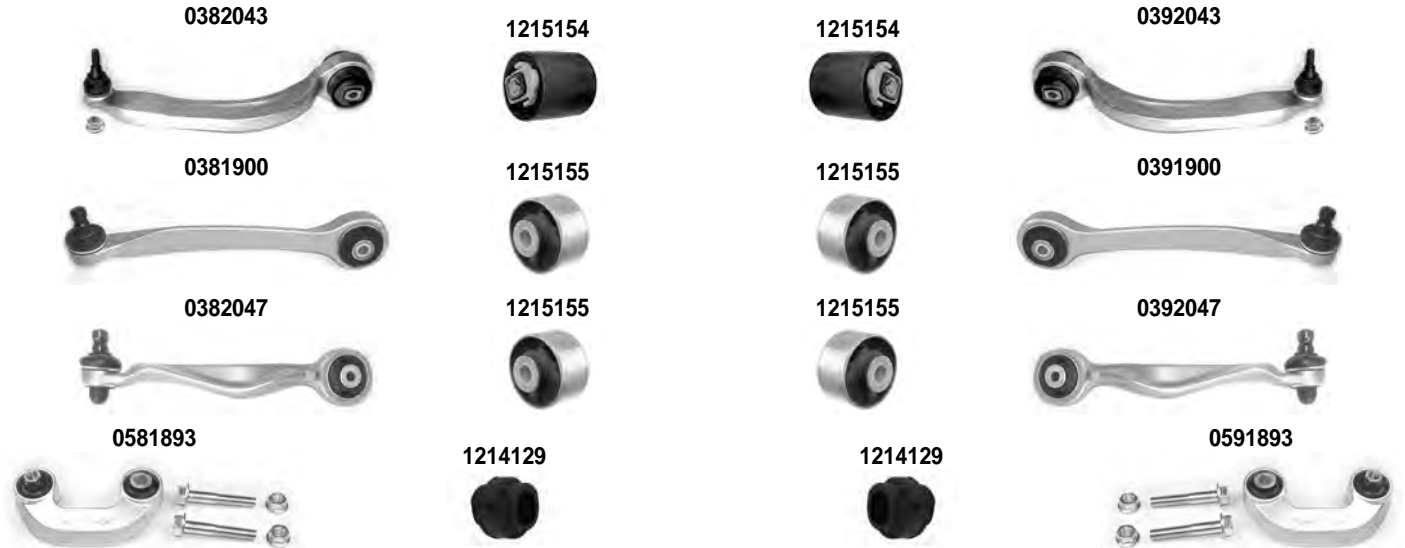
8E2-8E5

2001 > 2004

Asse Anteriore



Front Axle



OCAP	O.E.		i	
0381900	8E0407506C	BRACCIO OSCILLANTE SUPERIORE - ALLUMINIO UPPER TRACK CONTROL ARM - ALUMINIUM		
0382043	8E0407694Q	BRACCIO OSCILLANTE - ALLUMINIO TRACK CONTROL ARM		
0382047	8E0407510A	BRACCIO OSCILLANTE SUPERIORE - ALLUMINIO UPPER TRACK CONTROL ARM - ALUMINIUM		
0391900	8E0407505C	BRACCIO OSCILLANTE SUPERIORE - ALLUMINIO UPPER TRACK CONTROL ARM - ALUMINIUM		
0392043	8E0407693Q	BRACCIO OSCILLANTE - ALLUMINIO TRACK CONTROL ARM		
0392047	8E0407509A	BRACCIO OSCILLANTE SUPERIORE - ALLUMINIO UPPER TRACK CONTROL ARM - ALUMINIUM		
0581893	8E0411318	STABILIZZATORE - ALLUMINIO STABILIZER LINK - ALUMINIUM		
0591893	8E0411317	STABILIZZATORE - ALLUMINIO STABILIZER LINK - ALUMINIUM		
1214129	4D0411327J	SILENTBLOCK BARRA STABILIZZATRICE - DIAM.29mm STABILIZING BAR BUSHING		DIAM. 29 mm.
1215154	4D0407183Q	SILENTBLOCK IDRAULICO HYDRAULIC BUSHING		
1215155	4B0407515	SILENTBLOCK BUSHING		

DESTRO
RIGHT



SINISTRO
LEFT

A 4 / A4 AVANT / A4 QUATTRO

8E2-8E5

2001 > 2004

Asse Anteriore



Front Axle

0904187-K



0904193-K



Asse Posteriore



Rear Axle

0785597



0795597



0501899



0705597



0705597



0501899



OCAP	O.E.			
0501899	8E0505465AF	STABILIZZATORE STABILIZER LINK		
0705597	8E0501529G	BRACCIO SOSPENSIONE SUSPENSION ARM		
0785597	8E0505324M	BRACCIO SOSPENSIONE SUSPENSION ARM		
0795597	8E0505323M	BRACCIO SOSPENSIONE SUSPENSION ARM		
0904187-K	8E0498998 *	KIT STERZO E SOSPENSIONI - SENZA STABILIZZATORI STEERING & SUSPENSION KIT WITHOUT STABILIZER LINK		
0904193-K	8E0498998 **	KIT STERZO E SOSPENSIONI CON STABILIZZATORI STEERING & SUSPENSION KIT WITH STABILIZER LINK		

DESTRO
RIGHT

 SINISTRO
LEFT

A 4 / A4 AVANT / A4 QUATTRO

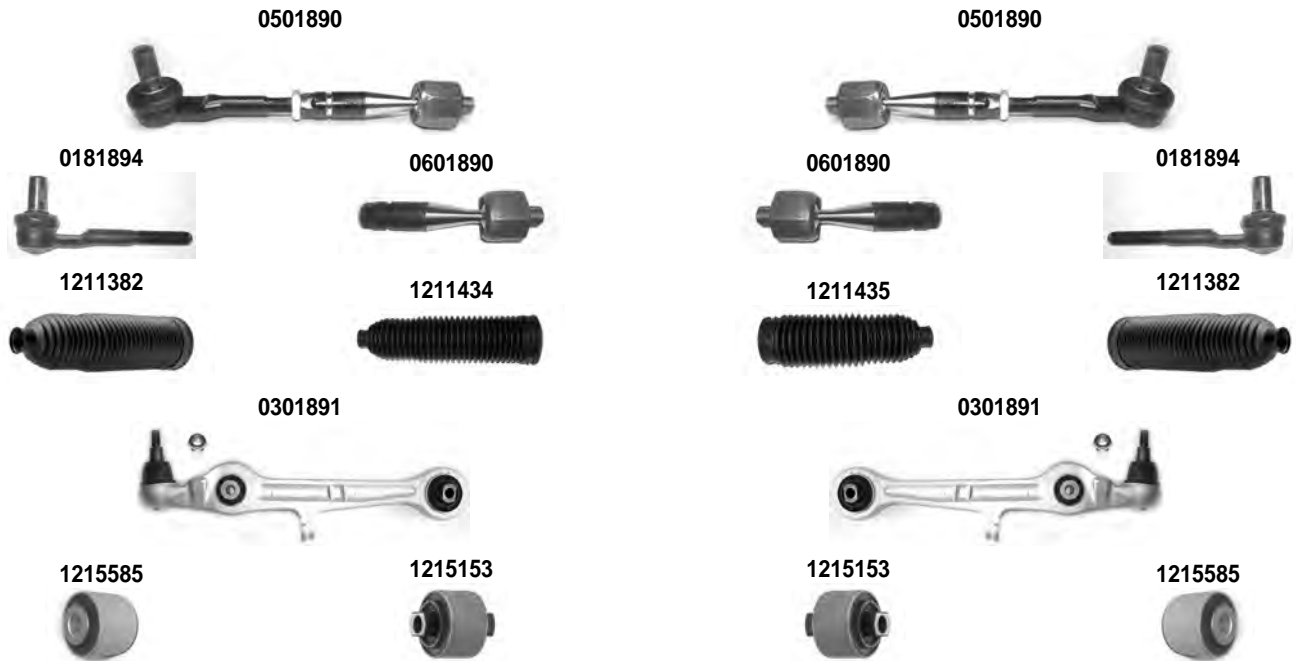
8EC-8ED

2004 > 2007

Asse Anteriore



Front Axle



OCAP	O.E.		
0181894	8E0419811	TESTA STERZO TIE ROD END	RHT M14x1,5
0301891	8E0407151R	BRACCIO OSCILLANTE - INFERIORE - ALLUMINIO TRACK CONTROL ARM - LOWER - ALUMINIUM	
0501890	8E0419801E	BARRA STERZO TIE ROD	
0601890	8E0422821	SNODO ASSIALE STERZO STEERING AXIAL JOINT	RHT M14x1,5
1211382	8E0419831	CUFFIA STERZO - ZF STEERING GAITER - ZF	
1211434	8E0419831B	CUFFIA STERZO - SMI STEERING GAITER - SMI	
1211435	8E0419831A	CUFFIA STERZO - SMI STEERING GAITER - SMI	
1215153	4D0407182E	SILENTBLOCK ESTREMO EXTREME BUSHING	
1215585	8E0407181C	SILENTBLOCK CENTRALE CENTRAL BUSHING	

DESTRO
RIGHT



SINISTRO
LEFT

A 4 / A4 AVANT / A4 QUATTRO

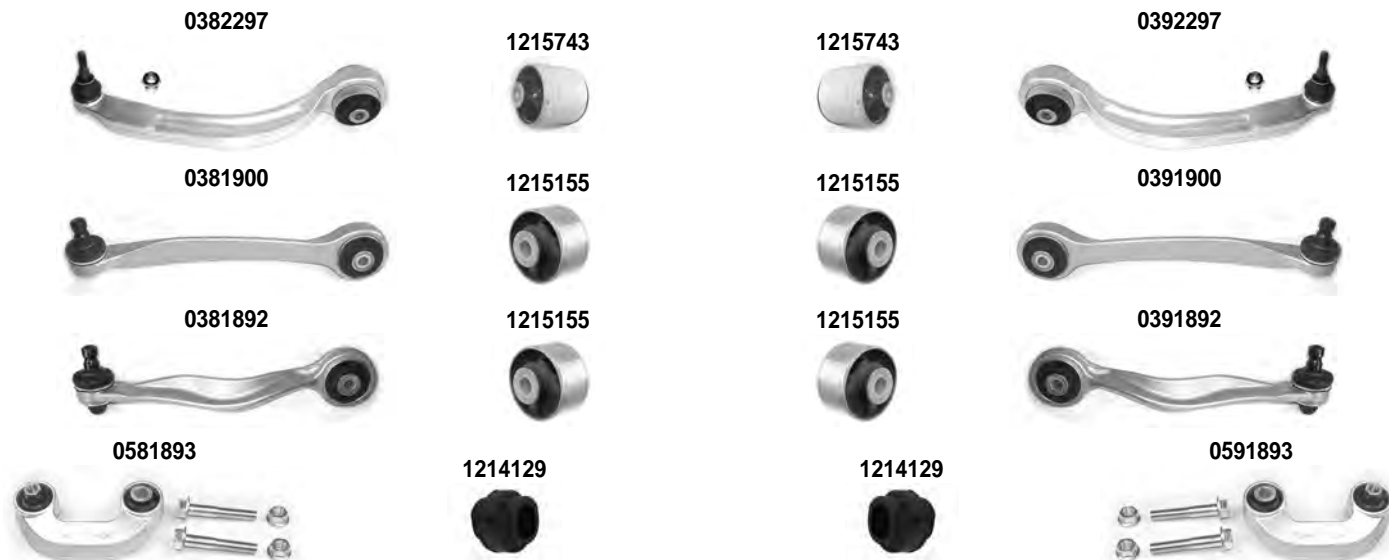
8EC-8ED

2004 > 2007

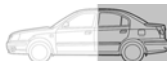
Asse Anteriore



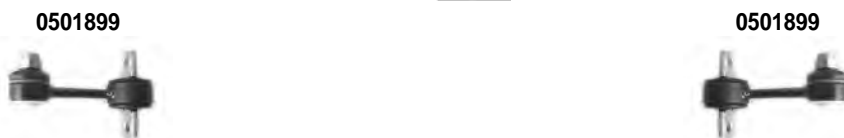
Front Axle



Asse Posteriore



Rear Axle



OCAP	O.E.			
0381892	8E0407510P	BRACCIO OSCILLANTE - SUPERIORE - ALLUMINIO TRACK CONTROL ARM - UPPER - ALUMINIUM		
0381900	8E0407506C	BRACCIO OSCILLANTE - SUPERIORE - ALLUMINIO TRACK CONTROL ARM - UPPER - ALUMINIUM		
0382297	8E0407694AL	BRACCIO OSCILLANTE - INFERIORE - ALLUMINIO TRACK CONTROL - LOWER - ALUMINIUM		
0391892	8E0407509P	BRACCIO OSCILLANTE - SUPERIORE - ALLUMINIO TRACK CONTROL ARM - UPPER - ALUMINIUM		
0391900	8E0407505C	BRACCIO OSCILLANTE - SUPERIORE - ALLUMINIO TRACK CONTROL ARM - UPPER - ALUMINIUM		
0392297	8E0407693AL	BRACCIO OSCILLANTE - INFERIORE - ALLUMINIO TRACK CONTROL - LOWER - ALUMINIUM		
0501899	8E0505465AF	STABILIZZATORE - ALLUMINIO STABILIZER LINK - ALUMINIUM		
0581893	8E0411318	STABILIZZATORE - ALLUMINIO STABILIZER LINK - ALUMINIUM		
0591893	8E0411317	STABILIZZATORE - ALLUMINIO STABILIZER LINK - ALUMINIUM		
1214129	4D0411327J	SILENTBLOCK BARRA STABILIZZATRICE STABILIZING BAR BUSHING		DIAM. 29 mm.
1215155	8D0407515B	SILENTBLOCK PER BRACCI SUPERIORI BUSHING FOR UPPER ARMS		
1215743	4F0407183E	SILENTBLOCK BUSHING		

DESTRO
RIGHT

 SINISTRO
LEFT

A 4 / A4 AVANT / A4 QUATTRO
A5 / A5 CABRIOLET / A5 SPORTBACK

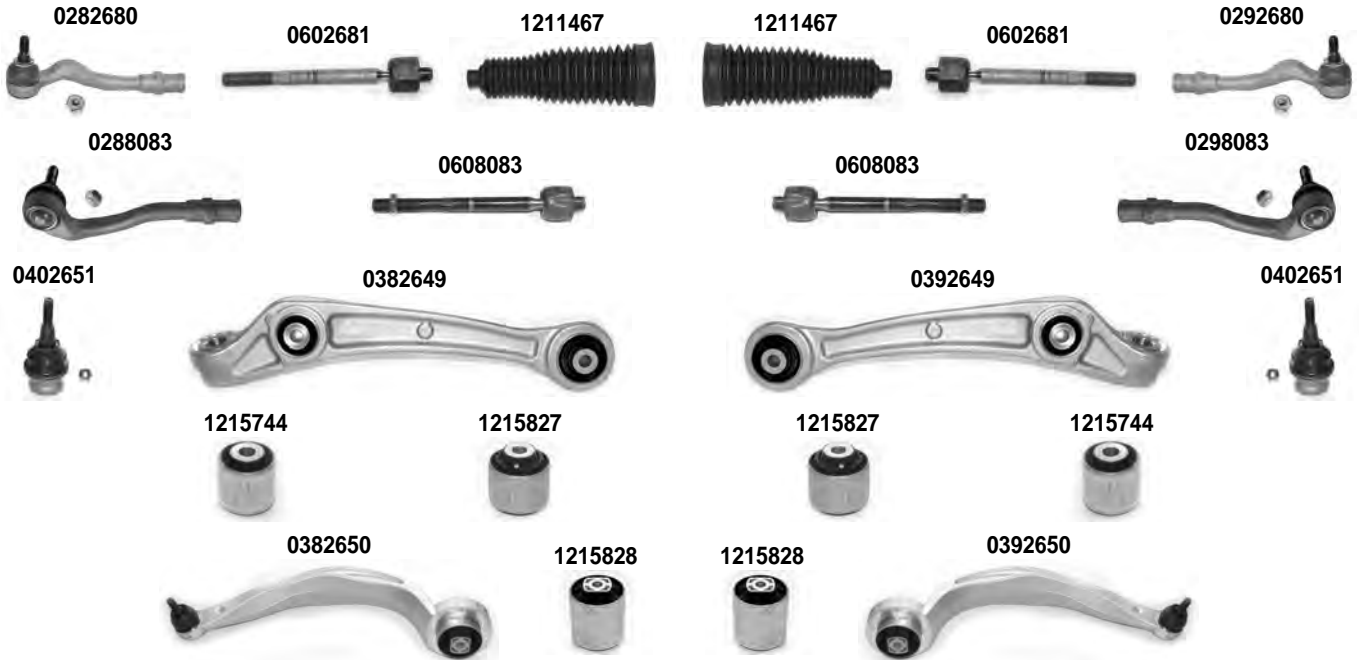
 8K2-8K5
 8T3-8F7-8TA

 11/2007 > 2015
 06/2007 > 2017

Asse Anteriore



Front Axle



i 1) > CH. 8K-CN075 000 - 8K-CY715 000 - SERVOSTERZO IDRAULICO - HYDRAULIC POWER STEERING 3) > 07/2011	2) CH. 8K-D-000 001 > - SERVOSTERZO ELETTRICO - ELECTRIC POWER STEERING 4) > 11/2009
--	---

OCAP	O.E.		i	
0282680	8K0422818B	TESTA STERZO TIE ROD END	1)	RHT M16x1,5
0288083	4G0423812A	TESTA STERZO TIE ROD END	2)	RHT M16x1,5
0292680	8K0422817B	TESTA STERZO TIE ROD END	1)	RHT M16x1,5
0298083	4G0423811A	TESTA STERZO TIE ROD END	2)	RHT M16x1,5
0382649	8K0407152C	BRACCIO OSCILLANTE - INFERIORE - ALLUMINIO TRACK CONTROL ARM - LOWER - ALUMINIUM	3)	
0382650	8K0407694N	BRACCIO OSCILLANTE - INFERIORE - ALLUMINIO TRACK CONTROL ARM - LOWER - ALUMINIUM	4)	
0392649	8K0407151C	BRACCIO OSCILLANTE - INFERIORE - ALLUMINIO TRACK CONTROL ARM - LOWER - ALUMINIUM	3)	
0392650	8K0407693N	BRACCIO OSCILLANTE - INFERIORE - ALLUMINIO TRACK CONTROL ARM - LOWER - ALUMINIUM	4)	
0402651	8K0407689G	SNODO SOSPENSIONE - INFERIORE BALL JOINT - LOWER	3)	
0602681	8J0423810	SNODO ASSIALE AXIAL JOINT	1)	RHT M16x1,5
0608083	4G0423810A	SNODO ASSIALE AXIAL JOINT	2)	RHT M16x1,5
1211467	8K0422831	CUFFIA STERZO STEERING GAITER	1)	
1215744	4E0407181B	SILENTBLOCK CENTRALE CENTRAL BUSHING		
1215827	8K0407182B	SILENTBLOCK ESTREMO OUTER BUSHING		
1215828	8K0407183A	SILENTBLOCK BUSHING	4)	DIAM. 65 mm.

DESTRO
RIGHT



SINISTRO
LEFT

A 4 / A4 AVANT / A4 QUATTRO
A5 / A5 CABRIOLET / A5 SPORTBACK

8K2-8K5
8T3-8F7-8TA

11/2007 > 2015
06/2007 > 2017

Asse Anteriore



Front Axle

0408083



0382680



0392680



0408083



1215744



1215827



1215827



1215744



0384585



1216183



1216183



0394585



0382652



1215829



1215829



0392652



0382653



1215829



1215829



0392653



i 5) 08/2011 >	6) 12/2009 >
-----------------------	------------------------

OCAP	O.E.		i	
0382652	8K0407506A	BRACCIO OSCILLANTE - SUPERIORE - ALLUMINIO TRACK CONTROL ARM - UPPER - ALUMINIUM		
0382653	8K0407510A	BRACCIO OSCILLANTE - SUPERIORE - ALLUMINIO TRACK CONTROL ARM- UPPER - ALUMINIUM		
0382680	8K0407152G	BRACCIO OSCILLANTE - INFERIORE - ALLUMINIO TRACK CONTROL ARM - LOWER - ALUMINIUM	5)	
0384585	8K0407694S	BRACCIO OSCILLANTE - INFERIORE - ALLUMINIO TRACK CONTROL ARM - LOWER - ALUMINIUM	6)	
0392652	8K0407505A	BRACCIO OSCILLANTE - SUPERIORE - ALLUMINIO TRACK CONTROL ARM - UPPER - ALUMINIUM		
0392653	8K0407509A	BRACCIO OSCILLANTE - SUPERIORE - ALLUMINIO TRACK CONTROL ARM- UPPER - ALUMINIUM		
0392680	8K0407151G	BRACCIO OSCILLANTE - INFERIORE - ALLUMINIO TRACK CONTROL ARM- LOWER - ALUMINIUM	5)	
0394585	8K0407693S	BRACCIO OSCILLANTE - INFERIORE - ALLUMINIO TRACK CONTROL ARM - LOWER - ALUMINIUM	6)	
0408083	4G0407689A	SNODO SOSPENSIONE - INFERIORE BALL JOINT - LOWER	5)	
1215744	4E0407181B	SILENTBLOCK CENTRALE CENTRAL BUSHING		
1215827	8K0407182B	SILENTBLOCK ESTREMO OUTER BUSHING		
1215829	8K0407515	SILENTBLOCK BUSHING		
1216183	8K0407183D	SILENTBLOCK BUSHING	6)	DIAM. 75 mm.

DESTRO
RIGHT

 SINISTRO
LEFT

A 4 / A4 AVANT / A4 QUATTRO
A5 / A5 CABRIOLET / A5 SPORTBACK

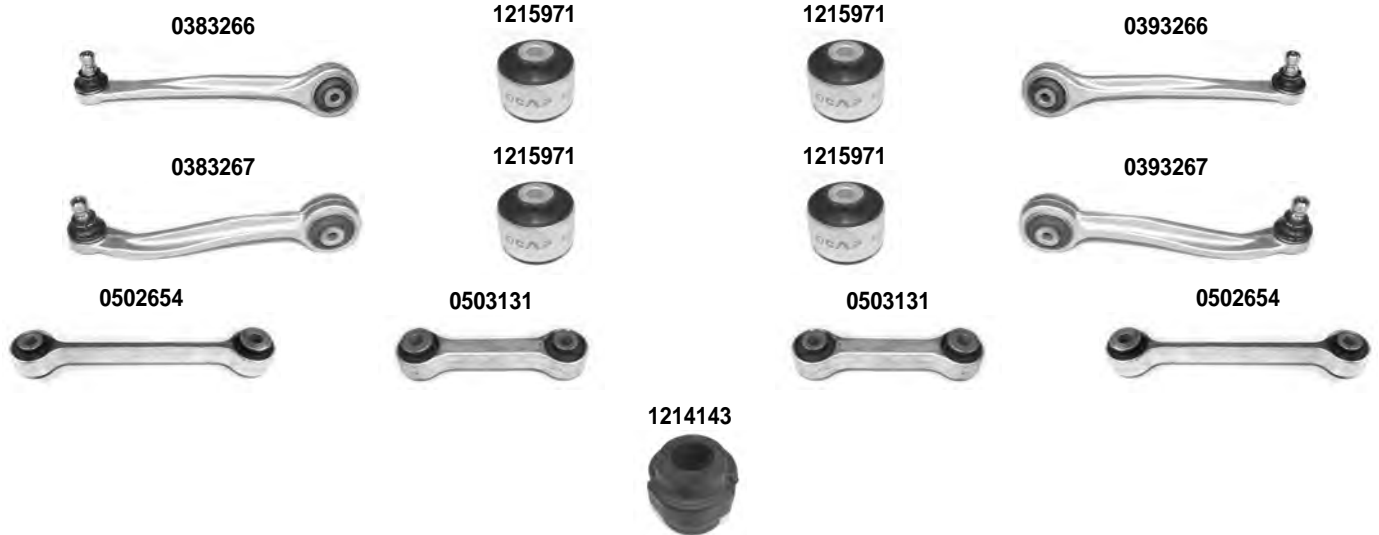
 8K2-8K5
 8T3-8F7-8TA

 11/2007 > 2015
 06/2007 > 2017

Asse Anteriore



Front Axle



i 7) SOLO PER A4 ALLROAD - A5 CABRIOLET - ONLY FOR A4 ALLROAD - A5 CABIOLET 9) SOLO PER A5 - ONLY A5 MODEL	8) SOLO PER A4 - ONLY A4 MODEL
--	--------------------------------

OCAP	O.E.		i	
0383266	8K0407506B	BRACCIO OSCILLANTE - SUPERIORE - ALLUMINIO TRACK CONTROL ARM - UPPER - ALUMINIUM	7)	
0383267	8K0407510M	BRACCIO OSCILLANTE - SUPERIORE - ALLUMINIO TRACK CONTROL ARM - UPPER - ALUMINIUM	7)	
0393266	8K0407505B	BRACCIO OSCILLANTE - SUPERIORE - ALLUMINIO TRACK CONTROL ARM - UPPER - ALUMINIUM	7)	
0393267	8K0407509M	BRACCIO OSCILLANTE - SUPERIORE - ALLUMINIO TRACK CONTROL ARM - UPPER - ALUMINIUM	7)	
0502654	8K0411317E	STABILIZZATORE STABILIZER LINK	8)	
0503131	8K0411317B	STABILIZZATORE STABILIZER LINK	9)	
1214143	8K0411327A	SILENTBLOCK BARRA STABILIZZATRICE STABILIZING BAR BUSHING		DIAM. 24 mm.
1215971	8R0407515	SILENTBLOCK BUSHING	7)	

DESTRO
RIGHT



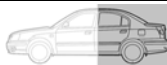
SINISTRO
LEFT

A 4 / A4 AVANT / A4 QUATTRO
A5 / A5 CABRIOLET / A5 SPORTBACK

8K2-8K5
8T3-8F7-8TA

11/2007 > 2015
06/2007 > 2017

Asse Posteriore



Rear Axle



OCAP	O.E.			
0382682	8K0505324F	BRACCIO OSCILLANTE - SUPERIORE - ALLUMINIO TRACK CONTROL ARM - UPPER - ALUMINIUM		
0382683	8K0501530N	BRACCIO OSCILLANTE - INFERIORE - ALLUMINIO TRACK CONTROL ARM- LOWER - ALUMINIUM		
0392682	8K0505323F	BRACCIO OSCILLANTE - SUPERIORE - ALLUMINIO TRACK CONTROL ARM - UPPER - ALUMINIUM		
0392683	8K0501529K	BRACCIO OSCILLANTE - INFERIORE - ALLUMINIO TRACK CONTROL ARM - LOWER - ALUMINIUM		
0402684	8K0505365B	GIUNTO SOSPENSIONE SUSPENSIONE JOINT		
0705780	8K0501529L	BRACCIO OSCILLANTE - INFERIORE TRACK CONTROL ARM- LOWER		
1215844	8K0505324F *	SILENTBLOCK BRACCIO OSCILLANTE - SUPERIORE TRACK CONTROL ARM BUSHING - UPPER		
1215845	8K0501530N *	SILENTBLOCK BRACCIO OSCILLANTE - INFERIORE TRACKCONTROL ARM BUSHING - LOWER		
1215846	8K0505279E	SILENTBLOCK BUSHING		

DESTRO
RIGHT



SINISTRO
LEFT

A 4 / AVANT / ALLROAD / QUATTRO

A 4 / AVANT / ALLROAD / QUATTRO
A5 / CABRIOLET / SPORTBACK

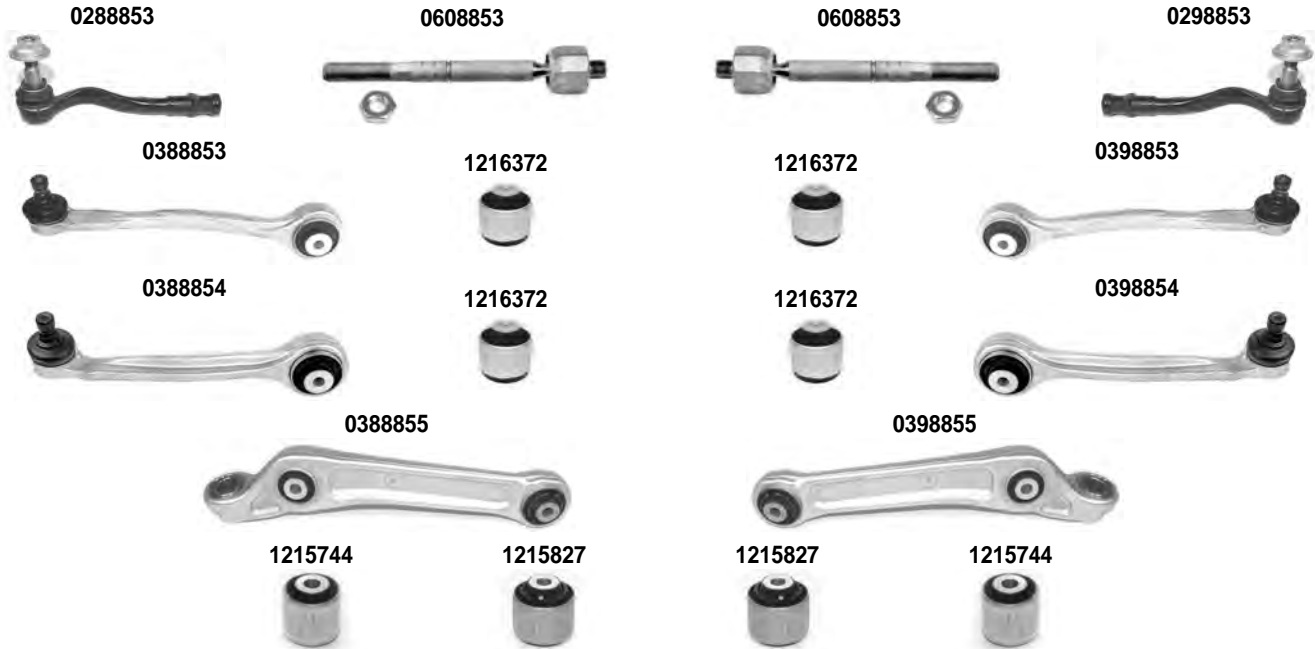
8W2-8W5-8WH-B9
F53-F57-F5A

05/2015 >
07/2016 >

Asse Anteriore



Front Axle



OCAP	O.E.			
0288853	8W0423812B	TESTA STERZO TIE ROD END		RHT M16x1,5
0298853	8W0423811B	TESTA STERZO TIE ROD END		RHT M16x1,5
0388853	8W0407506C	BRACCIO OSCILLANTE - SUPERIORE - ALLUMINIO TRACK CONTROL ARM- UPPER - ALUMINIUM		
0388854	8W0407510B	BRACCIO OSCILLANTE - SUPERIORE - ALLUMINIO TRACK CONTROL ARM- UPPER - ALUMINIUM		
0388855	8W0407152A	BRACCIO OSCILLANTE - INFERIORE - ALLUMINIO TRACK CONTROL ARM - LOWER - ALUMINIUM		
0398853	8W0407505C	BRACCIO OSCILLANTE - SUPERIORE - ALLUMINIO TRACK CONTROL ARM- UPPER - ALUMINIUM		
0398854	8W0407509B	BRACCIO OSCILLANTE - SUPERIORE - ALLUMINIO TRACK CONTROL ARM- UPPER - ALUMINIUM		
0398855	8W0407151A	BRACCIO OSCILLANTE - INFERIORE - ALLUMINIO TRACK CONTROL ARM - LOWER - ALUMINIUM		
0608853	8W0423810	SNODO ASSIALE AXIAL JOINT		RHT M16x1,5
1215744	4E0407181B	SILENTBLOCK CENTRALE CENTRAL BUSHING		
1215827	8K0407182B	SILENTBLOCK ESTREMO OUTER BUSHING		
1216372	8W0407515	SILENTBLOCK BUSHING		

DESTRO
RIGHT



SINISTRO
LEFT

A 4 / AVANT / ALLROAD / QUATTRO
A5 / CABRIOLET / SPORTBACK

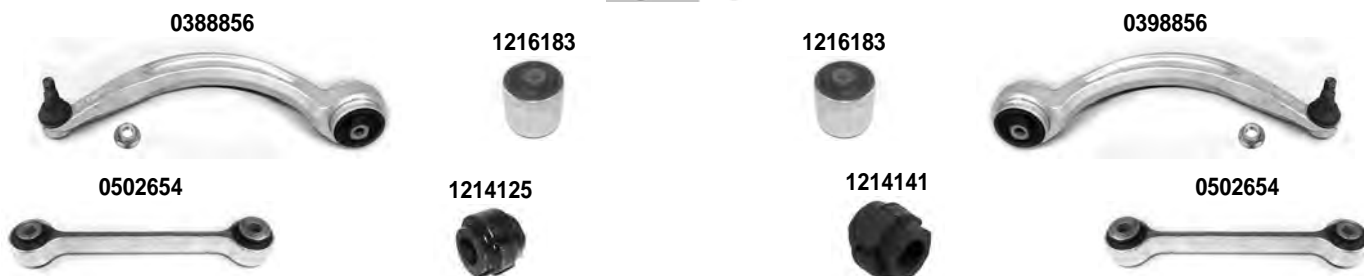
8W2-8W5-8WH-B9
F53-F57-F5A

05/2015 >
07/2016 >

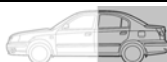
Asse Anteriore



Front Axle



Asse Posteriore



Rear Axle



OCAP	O.E.			
0388856	8W0407694B	BRACCIO OSCILLANTE - INFERIORE - ALLUMINIO TRACK CONTROL ARM - LOWER - ALUMINIUM		
0388857	8W0505324F	BRACCIO OSCILLANTE - SUPERIORE - ALLUMINIO TRACK CONTROL ARM- UPPER - ALUMINIUM		
0398856	8W0407693B	BRACCIO OSCILLANTE - INFERIORE - ALLUMINIO TRACK CONTROL ARM - LOWER - ALUMINIUM		
0398857	8W0505323F	BRACCIO OSCILLANTE - SUPERIORE - ALLUMINIO TRACK CONTROL ARM- UPPER - ALUMINIUM		
0502654	8K0411317E	STABILIZZATORE STABILIZER LINK		
1214125	4D0411327E	SILENTBLOCK BARRA STABILIZZATRICE STABILIZING BAR BUSHING		DIAM. 25 mm.
1214141	8K0411327B	SILENTBLOCK BARRA STABILIZZATRICE STABILIZING BAR BUSHING		DIAM. 26 mm.
1216183	8K0407183D	SILENTBLOCK BUSHING		DIAM. 75 mm.
1216373	8W0505324F *	SILENTBLOCK BUSHING		
1216374	8W0505323F *	SILENTBLOCK BUSHING		
1216375	8W0505323F **	SILENTBLOCK BUSHING		

DESTRO
RIGHT

 SINISTRO
LEFT

A 4 / AVANT / ALLROAD / QUATTRO
A5 / CABRIOLET / SPORTBACK

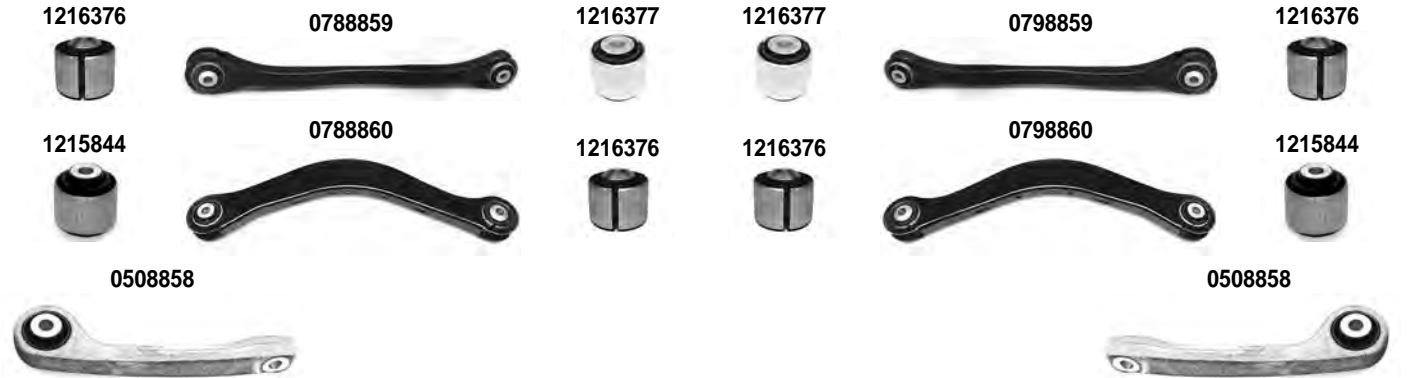
 8W2-8W5-8WH-B9
 F53-F57-F5A

 05/2015 >
 07/2016 >

Asse Posteriore



Rear Axle



OCAP	O.E.			
0508858	8W0505465B	STABILIZZATORE STABILIZER LINK		L=175 mm.
0788859	8W0501530D	BRACCIO SOSPENSIONE SUSPENSION ARM		
0788860	8W0505398C	BRACCIO SOSPENSIONE SUSPENSION ARM		
0798859	8W0501529D	BRACCIO SOSPENSIONE SUSPENSION ARM		
0798860	8W0505397C	BRACCIO SOSPENSIONE SUSPENSION ARM		
1215844	8K0505324F *	SILENTBLOCK BUSHING		
1216376	8W0501530D *	SILENTBLOCK BUSHING		
1216377	8W0501529D *	SILENTBLOCK BUSHING		

DESTRO
RIGHT



SINISTRO
LEFT

A 6 - A 6 AVANT - A 6 QUATTRO

A4-C4

1995 > 1997

Asse Anteriore

Front Axle



0283003



1211185



0293003



0902430



0382064



0392064



1215157



1215156



1215156



1215157



1214139



1214126



1214120



1214120



1214126



1214139



OCAP	O.E.			
0283003	443419812D	TESTA STERZO TIE ROD END		RHT M16x1,5
0293003	443419811D	TESTA STERZO TIE ROD END		RHT M16x1,5
0382064	4A0407152	BRACCIO OSCILLANTE TRACK CONTROL ARM		DIAM. 19 mm.
0392064	4A0407151	BRACCIO OSCILLANTE TRACK CONTROL ARM		DIAM. 19 mm.
0902430	-	KIT CUFFIE STERZO STEERING GAITER KIT		
1211185	431419831	CUFFIA STERZO STEERING GAITER		
1214120	4A0411327A	SILENTBLOCK BARRA STABILIZZATRICE STABILIZING BAR BUSHING		DIAM. 25 mm.
1214126	4D0411327H	SILENTBLOCK BARRA STABILIZZATRICE STABILIZING BAR BUSHING		DIAM. 27 mm.
1214139	4A0411327F	SILENTBLOCK BARRA STABILIZZATRICE STABILIZING BAR BUSHING		DIAM. 24 mm.
1215156	4A0407183D	SILENTBLOCK ESTREMO OUTER BUSHING		
1215157	4A0407181A	SILENTBLOCK CENTRALE CENTRAL BUSHING		

DESTRO
RIGHT

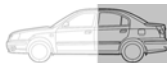
 SINISTRO
LEFT

A 6 - A 6 AVANT - A 6 QUATTRO

A4-C4

1995 > 1997

Asse Posteriore



Rear Axle

0582006

0582006



0182007

0582007

0592007

0192007

i 1) SOLO MODELLI QUATTRO - ONLY FOR QUATTRO MODELS

OCAP	O.E.		i	
0182007	-	TESTA BARRA SOSPENSIONE SUSPENSION JOINT	1)	
0192007	-	TESTA BARRA SOSPENSIONE SUSPENSION JOINT	1)	
0582006	4A0505389	STABILIZZATORE STABILIZER LINK	1)	
0582007	443505352P	BARRA SOSPENSIONE SUSPENSION TIE ROD	1)	
0592007	443505351P	BARRA SOSPENSIONE SUSPENSION TIE ROD	1)	

DESTRO
RIGHT



SINISTRO
LEFT

A 6 - A 6 AVANT - A 6 QUATTRO

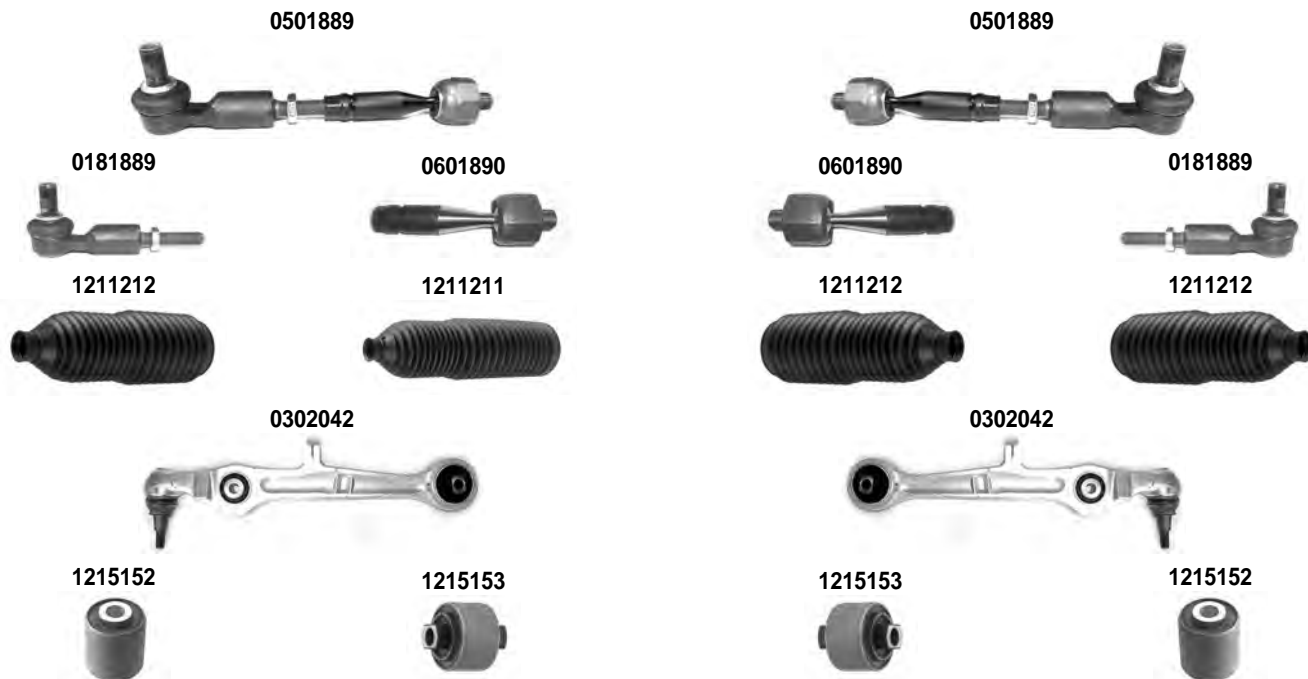
4B2-4B5

1997 > 2001

Asse Anteriore



Front Axle



i 1) 4 CILINDRI: DESTRA - 4 CILINDRES: RIGHT 2) 4 CILINDRI: SINISTRA - 4 CILINDRES: LEFT - 6 CILINDRI: DESTRA-SINISTRA - 6 CILINDRES: RIGHT-LEFT

OCAP	O.E.		i	
0181889	8E0419811B	TESTA STERZO TIE ROD END		RHT M14x1,5
0302042	4D0407151P	BRACCIO OSCILLANTE - ALLUMINIO TRACK CONTROL ARM - ALUMINIUM		
0501889	8E0419801B	BARRA STERZO TIE ROD		
0601890	8E0422821	SNODO ASSIALE AXIAL JOINT		RHT M14x1,5
1211211	8D0419831K	CUFFIA STERZO STEERING GAITER	1)	
1211212	4D0419831E	CUFFIA STERZO STEERING GAITER	2)	
1215152	4D0407181H	SILENTBLOCK CENTRALE CENTRAL BUSHING		
1215153	4D0407182E	SILENTBLOCK ESTREMO OUTER BUSHING		

DESTRO
RIGHT

 SINISTRO
LEFT

A 6 - A 6 AVANT - A 6 QUATTRO

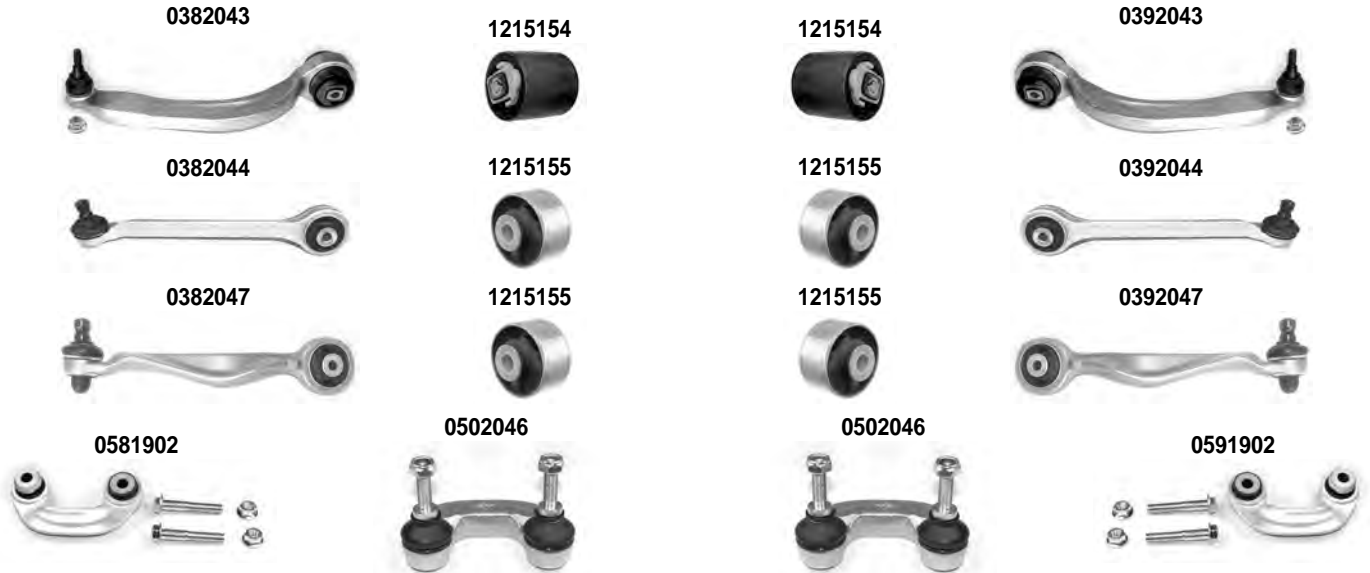
4B2-4B5

1997 > 2001

Asse Anteriore



Front Axle



i 3) > CH. 4B-W-100000	4) CH. 4B-W-100001 >
-------------------------------	----------------------

OCAP	O.E.		i	
0382043	8E0407694Q	BRACCIO OSCILLANTE - ALLUMINIO TRACK CONTROL ARM - ALUMINIUM		
0382044	8D0407506K	BRACCIO OSCILLANTE SUPERIORE - ALLUMINIO UPPER TRACK CONTROL ARM - ALUMINIUM		
0382047	8E0407510A	BRACCIO OSCILLANTE SUPERIORE - ALLUMINIO UPPER TRACK CONTROL ARM - ALUMINIUM		
0392043	8E0407693Q	BRACCIO OSCILLANTE - ALLUMINIO TRACK CONTROL ARM - ALUMINIUM		
0392044	8D0407505K	BRACCIO OSCILLANTE SUPERIORE - ALLUMINIO UPPER TRACK CONTROL ARM - ALUMINIUM		
0392047	8E0407509A	BRACCIO OSCILLANTE SUPERIORE - ALLUMINIO UPPER TRACK CONTROL ARM - ALUMINIUM		
0502046	4D0411317J	STABILIZZATORE - ALLUMINIO STABILIZER LINK - ALUMINIUM	3)	
0581902	8D0411318D	STABILIZZATORE - ALLUMINIO STABILIZER LINK - ALUMINIUM	4)	
0591902	8D0411317D	STABILIZZATORE - ALLUMINIO STABILIZER LINK - ALUMINIUM	4)	
1215154	4D0407183Q	SILENTBLOCK IDRAULICO HYDRAULIC BUSHING		
1215155	4B0407515	SILENTBLOCK BUSHING		

DESTRO
RIGHT



SINISTRO
LEFT

A 6 - A 6 AVANT - A 6 QUATTRO

4B2-4B5

1997 > 2001

Asse Anteriore



Front Axle

1214126



0904190-K



0904185-K



1214126



Asse Posteriore



Rear Axle

0503071



1249594



1249595



0503071



OCAP	O.E.			
0503071	8E0505465D	STABILIZZATORE STABILIZER LINK		
1214126	4D0411327H	SILENTBLOCK BARRA STABILIZZATRICE STABILIZING BAR BUSHING		DIAM. 27 mm.
1249594	4B0501522E	SUPPORTO SOSPENSIONE - ALLUMINIO SUSPENSION SUPPORT - ALUMINIUM		
1249595	4B0501521E	SUPPORTO SOSPENSIONE - ALLUMINIO SUSPENSION SUPPORT - ALUMINIUM		
0904185-K	8D0498998 *	KIT STERZO E SOSPENSIONI - SENZA STABILIZZATORI STEERING & SUSPENSION KIT - WITHOUT STABILIZER LINK		
0904190-K	4D0498998 *	KIT STERZO E SOSPENSIONI CON STABILIZZATORI STEERING & SUSPENSION KIT WITH STABILIZER LINK		

DESTRO
RIGHT

 SINISTRO
LEFT

A 6 - A 6 AVANT - A 6 QUATTRO

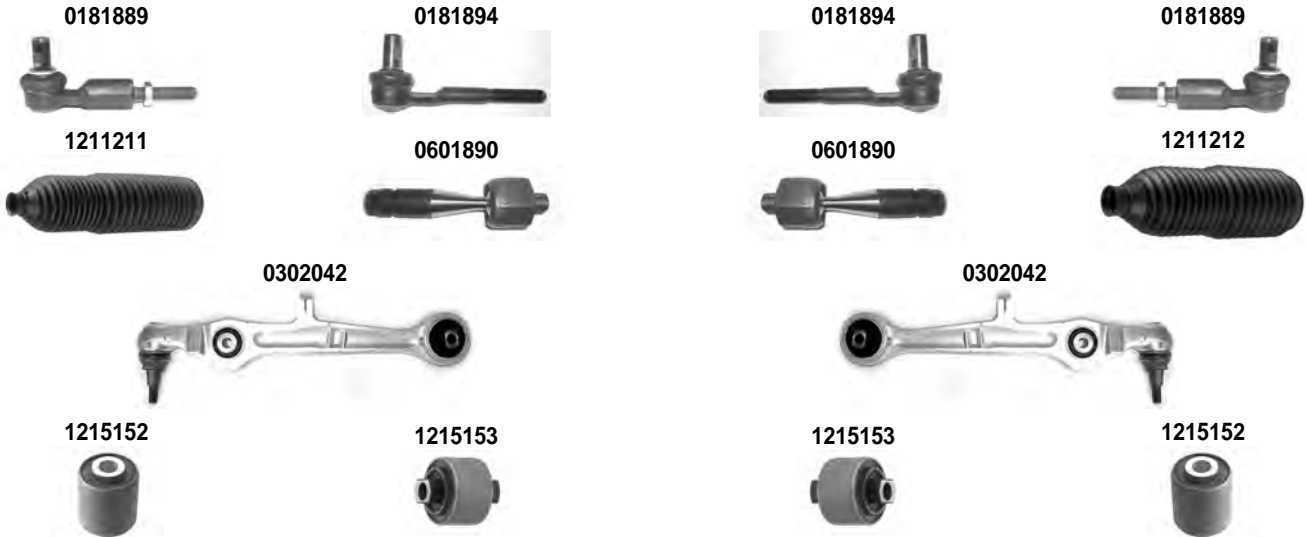
4B2-4B5

2001 > 2004

Asse Anteriore



Front Axle



i	1) > 07/2002 -> CH. 4B-3-011 544	i
	3) > 09/2001 -> CH. 4B-2-031 500	
	2) 07/2002 > - CH. 4B-3-011 545 >	

OCAP	O.E.		
0181889	8E0419811B	TESTA STERZO TIE ROD END	1) RHT M14x1,5
0181894	8E0419811	TESTA STERZO TIE ROD END	2) RHT M14x1,5
0302042	4D0407151P	BRACCIO OSCILLANTE - ALLUMINIO TRACK CONTROL ARM - ALUMINIUM	3)
0601890	8E0422821	SNODO ASSIALE AXIAL JOINT	RHT M14x1,5
1211211	8D0419831K	CUFFIA STERZO STEERING GAITER	
1211212	4D0419831E	CUFFIA STERZO STEERING GAITER	
1215152	4D0407181H	SILENTBLOCK CENTRALE CENTRAL BUSHING	
1215153	4D0407182E	SILENTBLOCK ESTREMO OUTER BUSHING	

DESTRO
RIGHT



SINISTRO
LEFT

A 6 - A 6 AVANT - A 6 QUATTRO

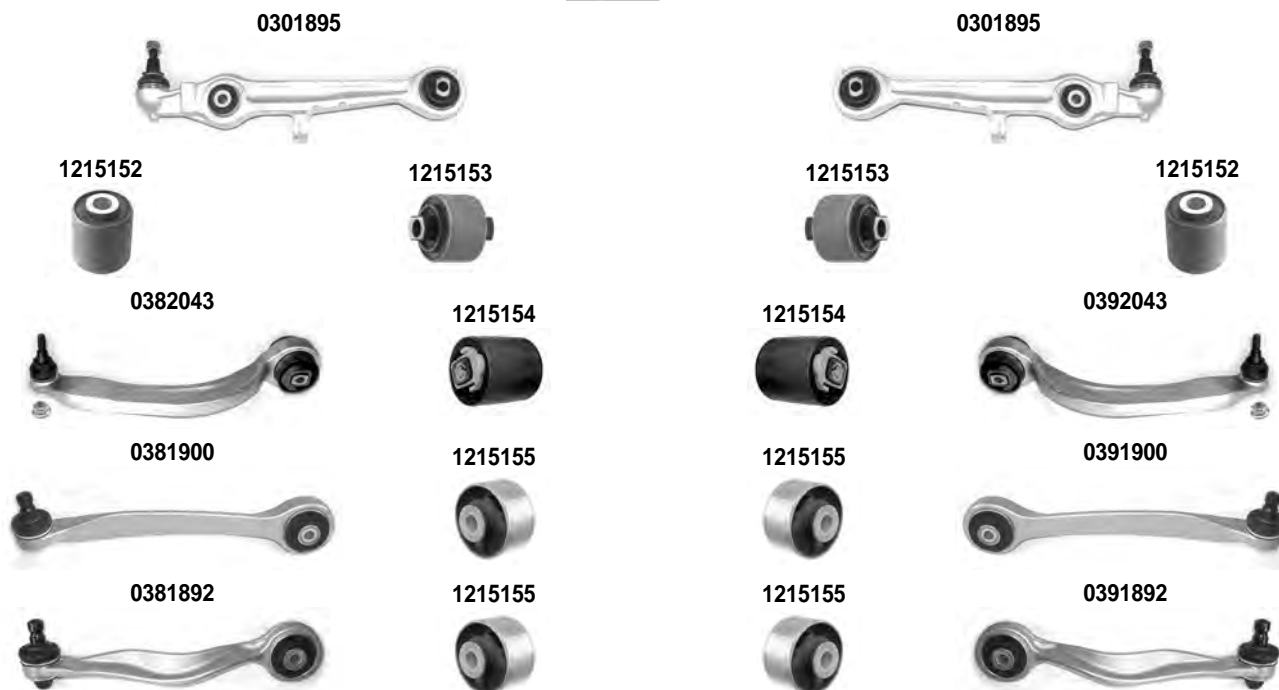
4B2-4B5

2001 > 2004

Asse Anteriore



Front Axle



i 4) 09/2001 > - CH. 4B-2-031 501 > 5) ECCEITTO S6 - EXCEPT S6

OCAP	O.E.		i	
0301895	4B3407151F	BRACCIO OSCILLANTE - ALLUMINIO TRACK CONTROL ARM - ALUMINIUM	4)	
0381892	8E0407510P	BRACCIO OSCILLANTE SUPERIORE - ALLUMINIO UPPER TRACK CONTROL ARM - ALUMINIUM	5)	
0381900	8E0407506C	BRACCIO OSCILLANTE SUPERIORE - ALLUMINIO UPPER TRACK CONTROL ARM - ALUMINIUM	5)	
0382043	8E0407694Q	BRACCIO OSCILLANTE - ALLUMINIO TRACK CONTROL ARM - ALUMINIUM		
0391892	8E0407509P	BRACCIO OSCILLANTE SUPERIORE - ALLUMINIO UPPER TRACK CONTROL ARM - ALUMINIUM	5)	
0391900	8E0407505C	BRACCIO OSCILLANTE SUPERIORE - ALLUMINIO UPPER TRACK CONTROL ARM - ALUMINIUM	5)	
0392043	8E0407693Q	BRACCIO OSCILLANTE - ALLUMINIO TRACK CONTROL ARM - ALUMINIUM		
1215152	4D0407181H	SILENTBLOCK CENTRALE CENTRAL BUSHING		
1215153	4D0407182E	SILENTBLOCK ESTREMO OUTER BUSHING		
1215154	4D0407183Q	SILENTBLOCK IDRAULICO HYDRAULIC BUSHING		
1215155	4B0407515	SILENTBLOCK BRACCI SUPERIORI UPPER CONTROL ARMS BUSHING		

DESTRO
RIGHT

 SINISTRO
LEFT

A 6 - A 6 AVANT - A 6 QUATTRO

4B2-4B5

2001 > 2004

Asse Anteriore



Front Axle

0904508-K

0904509-K

1214126

0581902

0591902

1214126


Asse Posteriore



Rear Axle

0503071

1249594

1249595

0503071

i 6) 07/2002 >

OCAP	O.E.		i	
0503071	8E0505465D	STABILIZZATORE STABILIZER LINK		
0581902	8D0411318D	STABILIZZATORE - ALLUMINIO STABILIZER LINK - ALUMINIUM		
0591902	8D0411317D	STABILIZZATORE - ALLUMINIO STABILIZER LINK - ALUMINIUM		
1214126	4D0411327H	SILENTBLOCK BARRA STABILIZZATRICE STABILIZING BAR BUSHING		DIAM. 27 mm.
1249594	4B0501522E	SUPPORTO SOSPENSIONE - ALLUMINIO SUSPENSION SUPPORT - ALUMINIUM		
1249595	4B0501521E	SUPPORTO SOSPENSIONE - ALLUMINIO SUSPENSION SUPPORT - ALUMINIUM		
0904508-K	4B3498998	KIT STERZO E SOSPENSIONI CON STABILIZZATORI STEERING & SUSPENSION KIT WITH STABILIZER LINK	6)	
0904509-K	4B3498998 *	KIT STERZO E SOSPENSIONI SENZA STABILIZZATORI STEERING & SUSPENSION KIT WITHOUT STABILIZER LINK	6)	

DESTRO
RIGHT



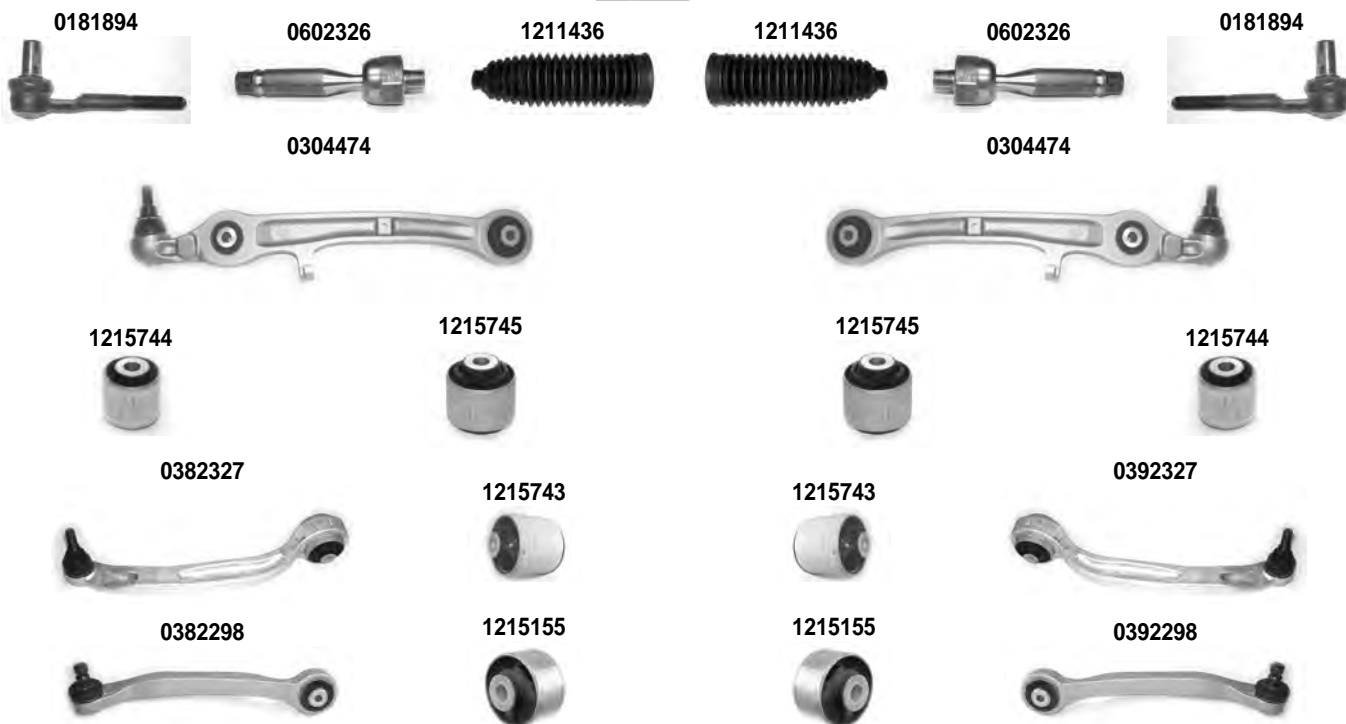
SINISTRO
LEFT

A 6 - A 6 QUATTRO A 6 AVANT A 6 ALLROAD	4F2 4F5 4FH	2004 > 2011 03/2005 > 2011 05/2006 > 2011
---	-------------------	---

Asse Anteriore



Front Axle



i 1) CH. 4F-5-034 001 >

OCAP	O.E.		i	
0181894	8E0419811	TESTA STERZO TIE ROD END		RHT M14x1,5
0304474	4F0407151	BRACCIO OSCILLANTE - INFERIORE - ALLUMINIO TRACK CONTROL ARM - LOWER - ALUMINIUM		
0382298	4E0407506B	BRACCIO OSCILLANTE - SUPERIORE - ALLUMINIO TRACK CONTROL ARM - UPPER - ALUMINIUM		
0382327	4F0407694B	BRACCIO OSCILLANTE - ALLUMINIO TRACK CONTROL ARM - ALUMINIUM	1)	
0392298	4E0407505B	BRACCIO OSCILLANTE - SUPERIORE - ALLUMINIO TRACK CONTROL ARM - UPPER - ALUMINIUM		
0392327	4F0407693B	BRACCIO OSCILLANTE - ALLUMINIO TRACK CONTROL ARM - ALUMINIUM	1)	
0602326	4F0422821	SNODO ASSIALE AXIAL JOINT		RHT M14x1,5
1211436	4F0422831	CUFFIA STERZO STEERING GAITER		
1215155	8D0407515A	SILENTBLOCK BRACCI SUPERIORI UPPER ARMS BUSHING		
1215743	4F0407183E	SILENTBLOCK BUSHING		
1215744	4E0407181B	SILENTBLOCK CENTRALE CENTRAL BUSHING		
1215745	4E0407182C	SILENTBLOCK ESTREMO OUTER BUSHING		

DESTRO
RIGHT



SINISTRO
LEFT

A 6 - A 6 QUATTRO
A 6 AVANT
A 6 ALLROAD

4F2
4F5
4FH

2004 > 2011
03/2005 > 2011
05/2006 > 2011

Asse Anteriore



Front Axle

0382299



1215155



1215155



0392299



0502300



1214129



1214129



0502300



Asse Posteriore



Rear Axle

1249594



1249595



0502299



0503261



0503261



0502299



i 2) ECCETTO ALLROAD - EXCEPT ALLROAD
4) MODELLI CON SOSPENSIONI PNEUMATICHE - PNEUMATIC SUSPENSION VEHICLES

3) MODELLI SENZA SOSPENSIONI PNEUMATICHE - VEHICLES WITHOUT PNEUMATIC SUSPENSION

OCAP	O.E.		
0382299	4E0407510B	BRACCIO OSCILLANTE - SUPERIORE - ALLUMINIO TRACK CONTROL ARM - UPPER - ALUMINIUM	
0392299	4E0407509B	BRACCIO OSCILLANTE - SUPERIORE - ALLUMINIO TRACK CONTROL ARM - UPPER - ALUMINIUM	
0502299	4F0505465N	STABILIZZATORE STABILIZER LINK	3)
0502300	4E0411317E	STABILIZZATORE STABILIZER LINK	
0503261	4F0505465P	STABILIZZATORE STABILIZER LINK	4)
1214129	4D0411327J	SILENTBLOCK BARRA STABILIZZATRICE STABILIZING BAR BUSHING	DIAM. 29 mm.
1215155	8D0407515A	SILENTBLOCK BRACCI SUPERIORI UPPER ARMS BUSHING	
1249594	4B0501522E	SUPPORTO SOSPENSIONE - ALLUMINIO SUSPENSION SUPPORT - ALUMINIUM	2)
1249595	4B0501521E	SUPPORTO SOSPENSIONE - ALLUMINIO SUSPENSION SUPPORT - ALUMINIUM	2)

DESTRO
RIGHT



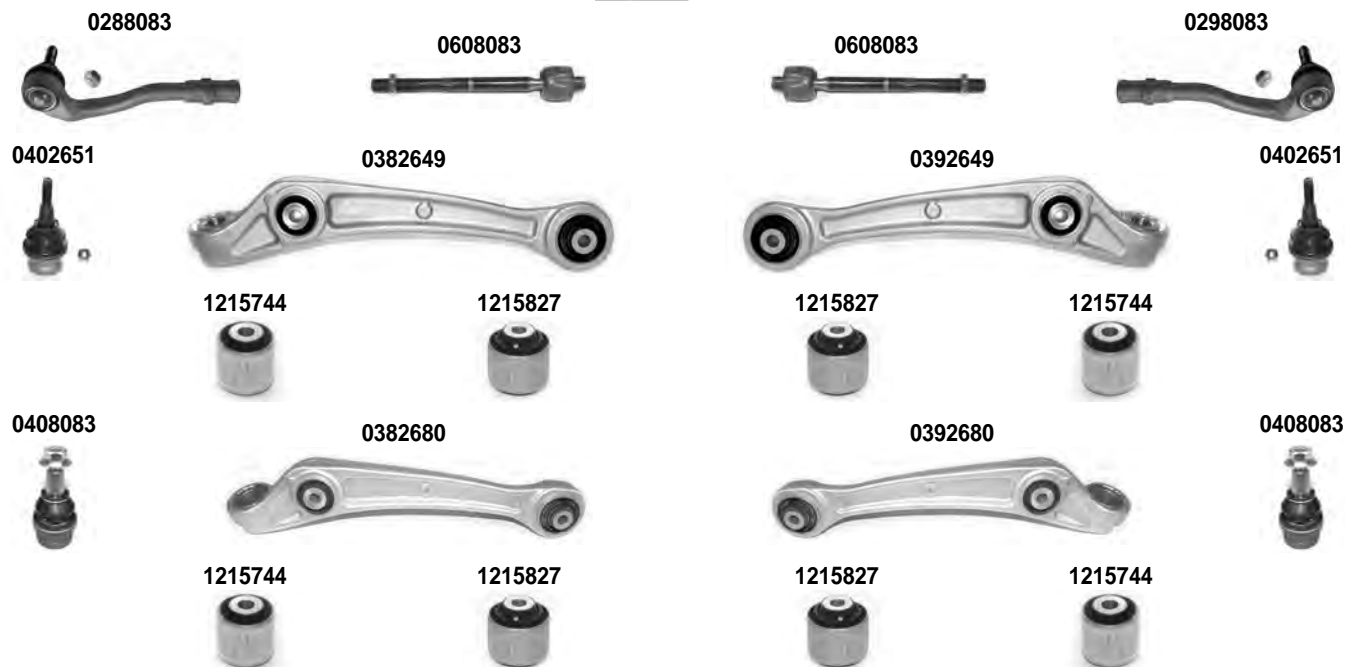
SINISTRO
LEFT

A 6 - A 6 QUATTRO A 6 AVANT A 6 ALLROAD	4G2-C7 4G5-C7 4GH	11/2010 > 05/2011 > 11/2010 >
---	-------------------------	-------------------------------------

Asse Anteriore



Front Axle



i 1) > 07/2011	2) 08/2011 >
-----------------------	--------------

OCAP	O.E.		i	
0288083	4G0423812A	TESTA STERZO TIE ROD END		RHT M16x1,5
0298083	4G0423811A	TESTA STERZO TIE ROD END		RHT M16x1,5
0382649	8K0407152C	BRACCIO OSCILLANTE - INFERIORE - ALLUMINIO TRACK CONTROL ARM - LOWER - ALUMINIUM	1)	
0382680	8K0407152G	BRACCIO OSCILLANTE - INFERIORE - ALLUMINIO TRACK CONTROL ARM - LOWER - ALUMINIUM	2)	
0392649	8K0407151C	BRACCIO OSCILLANTE - INFERIORE - ALLUMINIO TRACK CONTROL ARM - LOWER - ALUMINIUM	1)	
0392680	8K0407151G	BRACCIO OSCILLANTE - INFERIORE - ALLUMINIO TRACK CONTROL ARM - LOWER - ALUMINIUM	2)	
0402651	8K0407689G	SNODO SOSPENSIONE - INFERIORE BALL JOINT - LOWER	1)	
0408083	4G0407689A	SNODO SOSPENSIONE - INFERIORE BALL JOINT - LOWER	2)	
0608083	4G0423810A	SNODO ASSIALE AXIAL JOINT		RHT M16x1,5
1215744	4E0407181B	SILENTBLOCK CENTRALE CENTRAL BUSHING		
1215827	8K0407182B	SILENTBLOCK ESTREMO OUTER BUSHING		

DESTRO
RIGHT

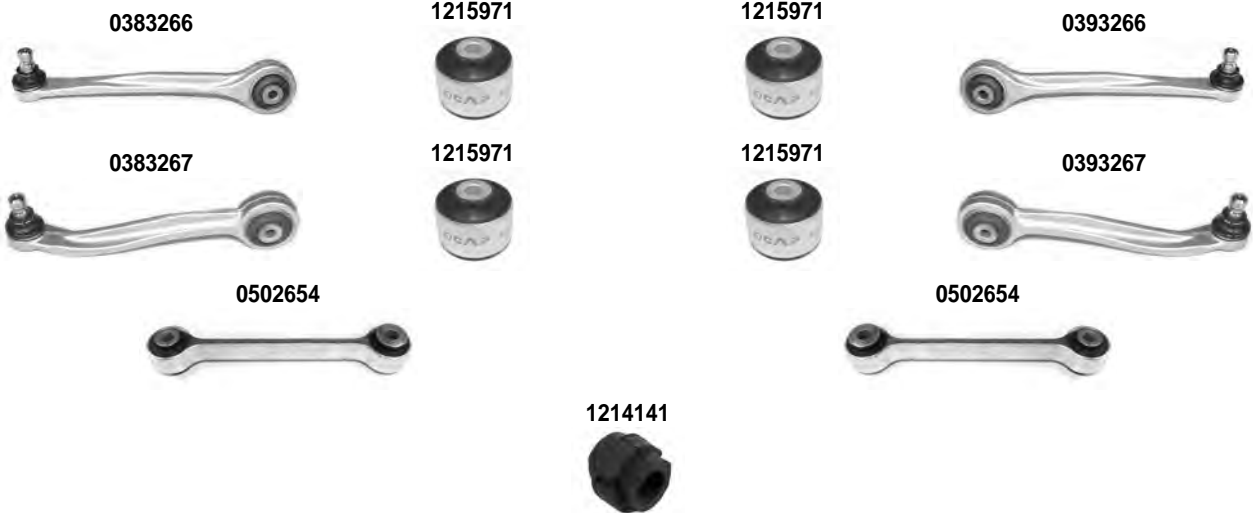
 SINISTRO
LEFT

A 6 - A 6 QUATTRO A 6 AVANT A 6 ALLROAD	4G2-C7 4G5-C7 4GH	11/2010 > 05/2011 > 11/2010 >
---	-------------------------	-------------------------------------

Asse Anteriore



Front Axle



Asse Posteriore



Rear Axle



OCAP	O.E.		i	
0383266	8K0407506M	BRACCIO OSCDILLANTE - SUPERIORE - ALLUMINIO TRACK CONTROL ARM - UPPER - ALUMINIUM		
0383267	8K0407510M	BRACCIO OSCDILLANTE - SUPERIORE - ALLUMINIO TRACK CONTROL ARM - UPPER - ALUMINIUM		
0393266	8K0407505M	BRACCIO OSCDILLANTE - SUPERIORE - ALLUMINIO TRACK CONTROL ARM - UPPER - ALUMINIUM		
0393267	8K0407509M	BRACCIO OSCDILLANTE - SUPERIORE - ALLUMINIO TRACK CONTROL ARM - UPPER - ALUMINIUM		
0502654	8K0411317E	STABILIZZATORE - ALLUMINIO STABILIZER LINK - ALUMINIUM		
0508083	8K0505465E	STABILIZZATORE STABILIZER LINK		
0705780	8K0501529L	BRACCIO OSCILLANTE - INFERIORE TRACK CONTROL ARM- LOWER		
1214141	8K0411327B	SILENTBLOCK BARRA STABILIZZATRICE STABILIZING BAR BUSHING		DIAM. 26 mm.
1215845	8K0501530N *	SILENTBLOCK BRACCIO OSCILLANTE - INFERIORE TRACKCONTROL ARM BUSHING - LOWER		
1215971	8R0407515	SILENTBLOCK BUSHING		

A 7

DESTRO
RIGHT



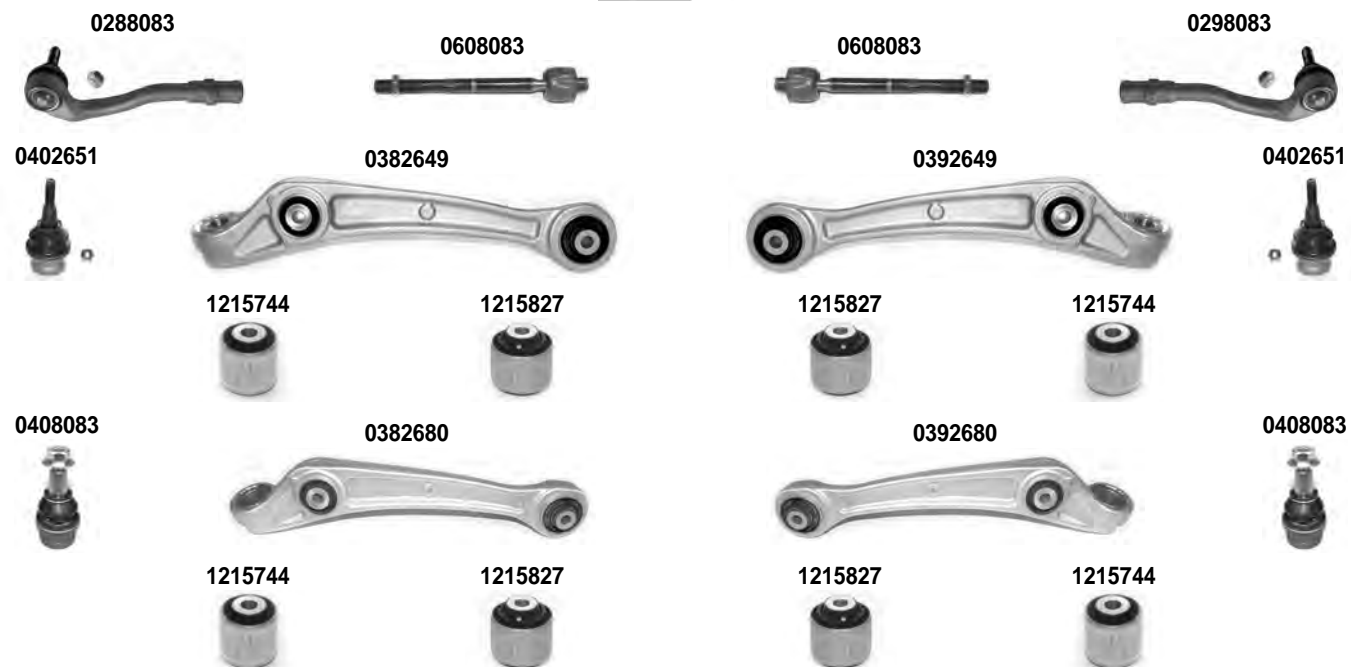
SINISTRO
LEFT

A 7	4GA	10/2010 >
-----	-----	-----------

Asse Anteriore



Front Axle



i 1) > 07/2011	2) 08/2011 >
-----------------------	--------------

OCAP	O.E.		i	
0288083	4G0423812A	TESTA STERZO TIE ROD END		RHT M16x1,5
0298083	4G0423811A	TESTA STERZO TIE ROD END		RHT M16x1,5
0382649	8K0407152C	BRACCIO OSCILLANTE - INFERIORE - ALLUMINIO TRACK CONTROL ARM - LOWER - ALUMINIUM	1)	
0382680	8K0407152G	BRACCIO OSCILLANTE - INFERIORE - ALLUMINIO TRACK CONTROL ARM - LOWER - ALUMINIUM	2)	
0392649	8K0407151C	BRACCIO OSCILLANTE - INFERIORE - ALLUMINIO TRACK CONTROL ARM - LOWER - ALUMINIUM	1)	
0392680	8K0407151G	BRACCIO OSCILLANTE - INFERIORE - ALLUMINIO TRACK CONTROL ARM - LOWER - ALUMINIUM	2)	
0402651	8K0407689G	SNODO SOSPENSIONE - INFERIORE BALL JOINT - LOWER	1)	
0408083	4G0407689A	SNODO SOSPENSIONE - INFERIORE BALL JOINT - LOWER	2)	
0608083	4G0423810A	SNODO ASSIALE AXIAL JOINT		RHT M16x1,5
1215744	4E0407181B	SILENTBLOCK CENTRALE CENTRAL BUSHING		
1215827	8K0407182B	SILENTBLOCK ESTREMO OUTER BUSHING		

DESTRO
RIGHT

 SINISTRO
LEFT

A 7

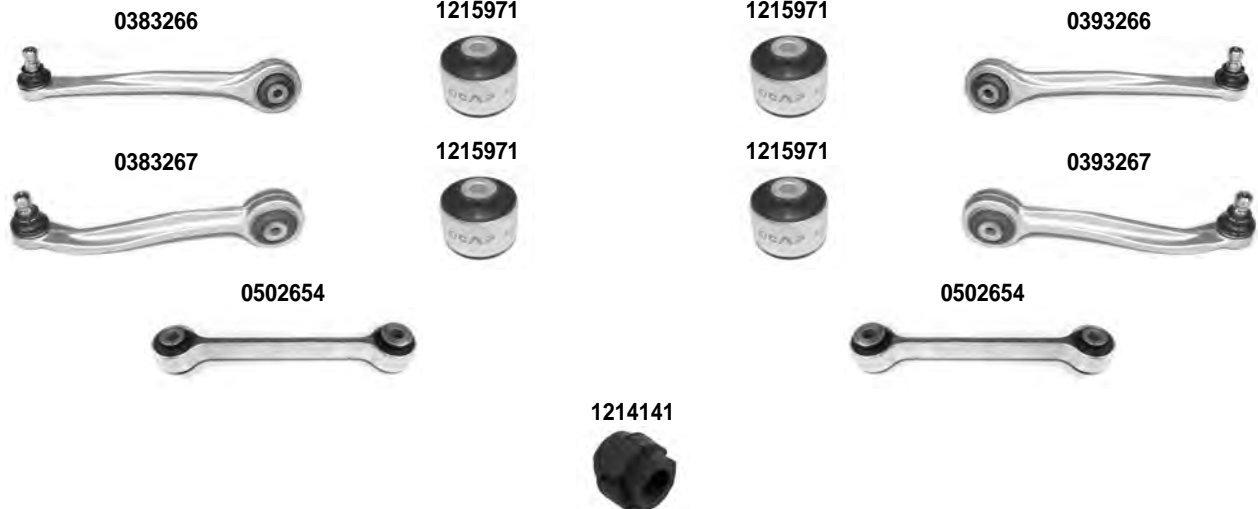
4GA

10/2010 >

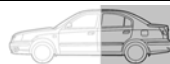
Asse Anteriore



Front Axle



Asse Posteriore



Rear Axle



OCAP	O.E.		
0383266	8K0407506M	BRACCIO OSCILLANTE - SUPERIORE - ALLUMINIO TRACK CONTROL ARM - UPPER - ALUMINIUM	
0383267	8K0407510M	BRACCIO OSCILLANTE - SUPERIORE - ALLUMINIO TRACK CONTROL ARM - UPPER - ALUMINIUM	
0393266	8K0407505M	BRACCIO OSCILLANTE - SUPERIORE - ALLUMINIO TRACK CONTROL ARM - UPPER - ALUMINIUM	
0393267	8K0407509M	BRACCIO OSCILLANTE - SUPERIORE - ALLUMINIO TRACK CONTROL ARM - UPPER - ALUMINIUM	
0502654	8K0411317E	STABILIZZATORE - ALLUMINIO STABILIZER LINK - ALUMINIUM	
0508083	8K0505465E	STABILIZZATORE STABILIZER LINK	
0705780	8K0501529L	BRACCIO OSCILLANTE - INFERIORE TRACK CONTROL ARM - LOWER	
1214141	8K0411327B	SILENTBLOCK BARRA STABILIZZATRICE STABILIZING BAR BUSHING	DIAM. 26 mm.
1215845	8K0501530N *	SILENTBLOCK BRACCIO OSCILLANTE - INFERIORE TRACKCONTROL ARM BUSHING - LOWER	
1215971	8R0407515	SILENTBLOCK BUSHING	

DESTRO
RIGHT



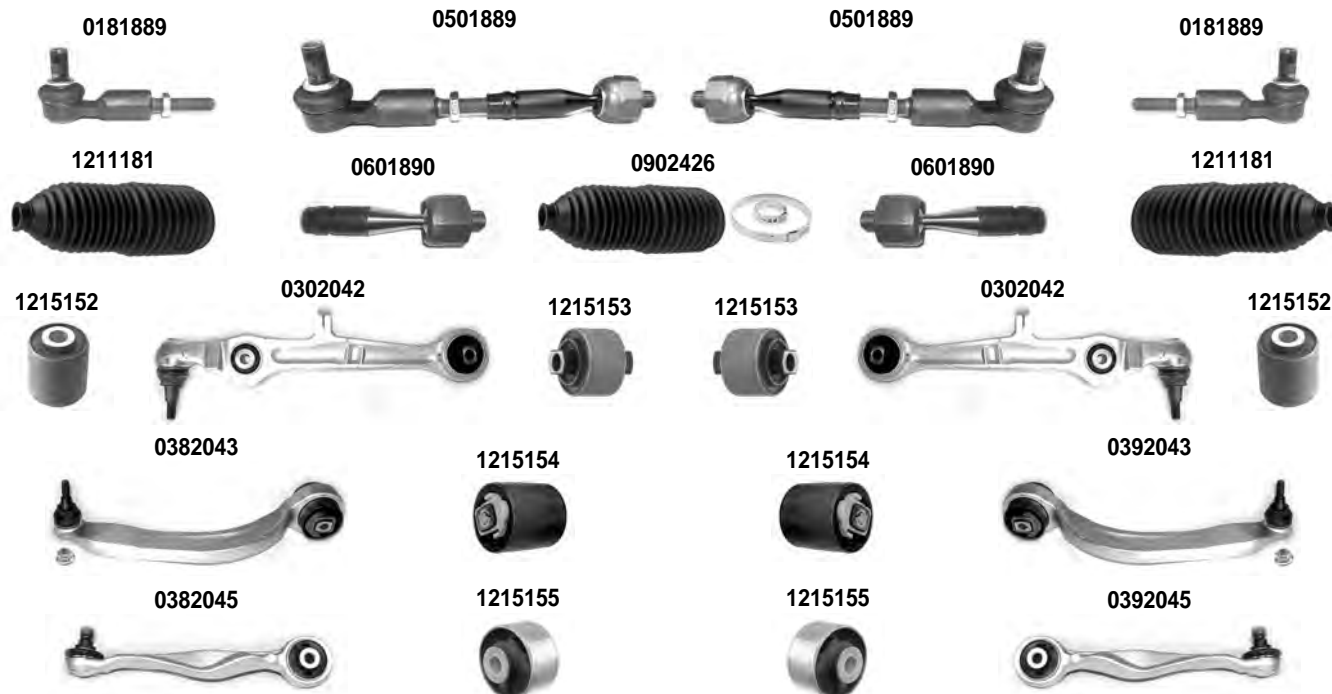
SINISTRO
LEFT

A 8	4D2-4D8	1994 > 1999
-----	---------	-------------

Asse Anteriore



Front Axle



i 1) > CH. 4D-V-004000

OCAP	O.E.		i	
0181889	8E0419811B	TESTA STERZO TIE ROD END		RHT M14x1,5
0302042	4D0407151P	BRACCIO OSCILLANTE - ALLUMINIO TRACK CONTROL ARM - ALUMINIUM		
0382043	8E0407694Q	BRACCIO OSCILLANTE - ALLUMINIO TRACK CONTROL ARM - ALUMINIUM		
0382045	4D0407510K	BRACCIO OSCILLANTE SUPERIORE - ALLUMINIO UPPER TRACK CONTROL ARM - ALUMINIUM	1)	
0392043	8E0407693Q	BRACCIO OSCILLANTE - ALLUMINIO TRACK CONTROL ARM - ALUMINIUM		
0392045	4D0407509K	BRACCIO OSCILLANTE SUPERIORE - ALLUMINIO UPPER TRACK CONTROL ARM - ALUMINIUM	1)	
0501889	8E0419801B	BARRA STERZO TIE ROD		
0601890	8E0422821	SNODO ASSIALE AXIAL JOINT		RHT M14x1,5
0902426	-	KIT CUFFIA STERZO STEERING GAITER KIT		
1211181	4D0419831D	CUFFIE STERZO STEERING GAITER		
1215152	4D0407181F	SILENTBLOCK CENTRALE CENTRAL BUSHING		
1215153	4D0407182E	SILENTBLOCK ESTREMO OUTER BUSHING		
1215154	4D0407183Q	SILENTBLOCK IDRAULICO HYDRAULIC BUSHING		
1215155	4B0407515	SILENTBLOCK BUSHING		

DESTRO
RIGHT

 SINISTRO
LEFT

A 8

4D2-4D8

1994 > 1999

Asse Anteriore



Front Axle

0382047

1215155

1215155

0392047

0302083

1215207

1215207

0302083

0501903

1214126

1214125

1214125

1214126

0501903


Asse Posteriore



Rear Axle

0502085

0502084



0582086

0592086

0502084

0502085

i 2) CH. 4D-V-004001 >

OCAP	O.E.		i	
0302083	4D0407505H	BRACCIO OSCILLANTE SUPERIORE - ALLUMINIO TRACK CONTROL ARM UPPER - ALUMINIUM		
0382047	8E0407510A	BRACCIO OSCILLANTE SUPERIORE - ALLUMINIO UPPER TRACK CONTROL ARM - ALUMINIUM	2)	
0392047	8E0407509A	BRACCIO OSCILLANTE SUPERIORE - ALLUMINIO UPPER TRACK CONTROL ARM - ALUMINIUM	2)	
0501903	4D0411317K	STABILIZZATORE - ALLUMINIO STABILIZER LINK - ALUMINIUM		
0502084	4D0505465D	STABILIZZATORE STABILIZER LINK		
0502085	4D0501529F	STABILIZZATORE - ALLUMINIO STABILIZER LINK - ALUMINIUM		
0582086	4D0505548C	STABILIZZATORE STABILIZER LINK		
0592086	4D0505547C	STABILIZZATORE STABILIZER LINK		
1214125	4D0411327E	SILENTBLOCK BARRA STABILIZZATRICE STABILIZING BAR BUSHING		DIAM. 25 mm.
1214126	4D0411327H	SILENTBLOCK BARRA STABILIZZATRICE STABILIZING BAR BUSHING		DIAM. 27 mm.
1215155	4B0407515	SILENTBLOCK BUSHING		
1215207	4D0407516A	SILENTBLOCK BUSHING		

DESTRO
RIGHT



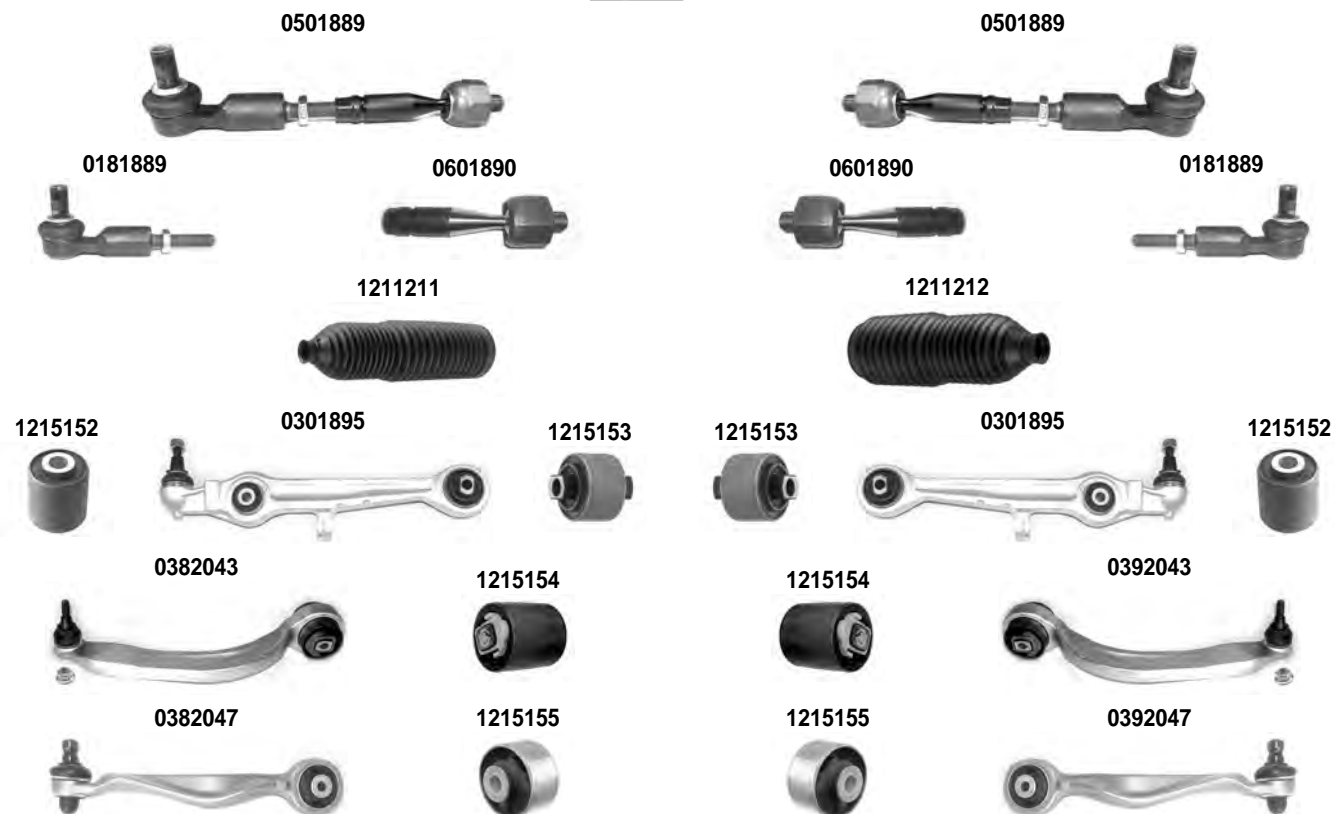
SINISTRO
LEFT

A 8	4D2-4D8	1999 > 09/2002
-----	---------	----------------

Asse Anteriore



Front Axle



OCAP	O.E.		i	
0181889	8E0419811B	TESTA STERZO TIE ROD END		RHT M14x1,5
0301895	4B3407151F	BRACCIO OSCILLANTE - ALLUMINIO TRACK CONTROL ARM - ALUMINIUM		
0382043	8E0407694Q	BRACCIO OSCILLANTE - ALLUMINIO TRACK CONTROL ARM - ALUMINIUM		
0382047	8E0407510A	BRACCIO OSCILLANTE SUPERIORE - ALLUMINIO UPPER TRACK CONTROL ARM - ALUMINIUM		
0392043	8E0407693Q	BRACCIO OSCILLANTE - ALLUMINIO TRACK CONTROL ARM - ALUMINIUM		
0392047	8E0407509A	BRACCIO OSCILLANTE SUPERIORE - ALLUMINIO UPPER TRACK CONTROL ARM - ALUMINIUM		
0501889	8E0419801B	BARRA STERZO TIE ROD		
0601890	8E0422821	SNODO ASSIALE AXIAL JOINT		RHT M14x1,5
1211211	8D0419831K	CUFFIA STERZO STEERING GAITER		
1211212	4D0419831E	CUFFIA STERZO STEERING GAITER		
1215152	4D0407181H	SILENTBLOCK CENTRALE CENTRAL BUSHING		
1215153	4D0407182E	SILENTBLOCK ESTREMO OUTER BUSHING		
1215154	4D0407183Q	SILENTBLOCK IDRAULICO HYDRAULIC BUSHING		
1215155	4D0407515C	SILENTBLOCK BUSHING		

DESTRO
RIGHT

 SINISTRO
LEFT

A 8

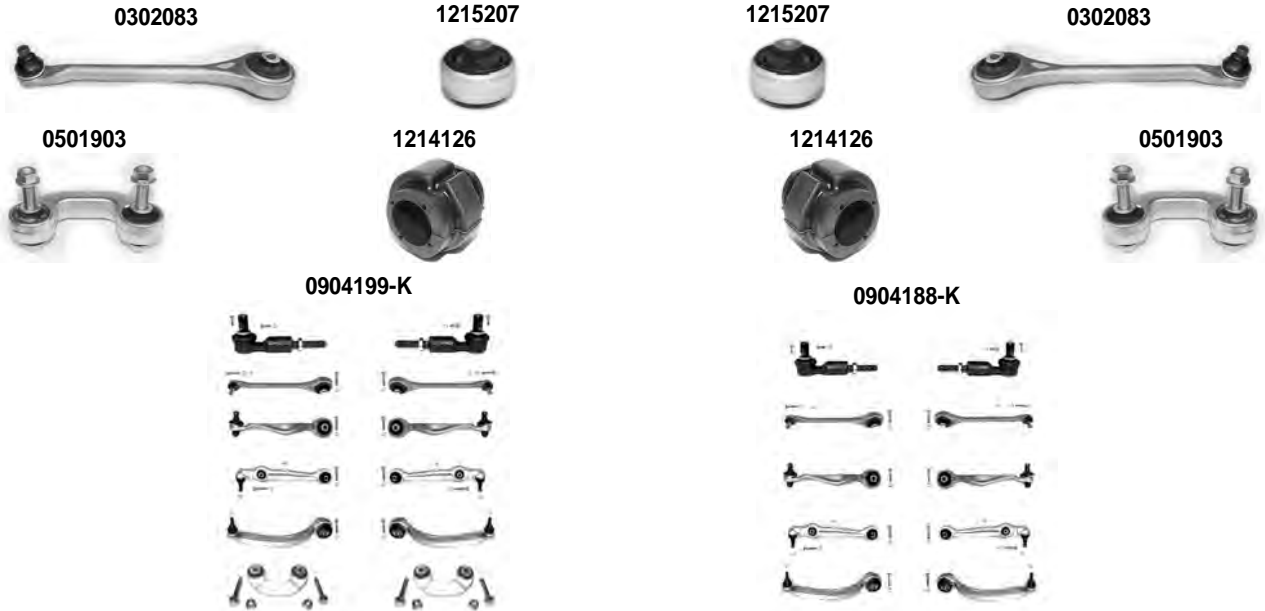
4D2-4D8

1999 > 09/2002

Asse Anteriore



Front Axle



Asse Posteriore



Rear Axle



OCAP	O.E.		i	
0302083	4D0407505H	BRACCIO OSCILLANTE SUPERIORE - ALLUMINIO TRACK CONTROL ARM UPPER - ALUMINIUM		
0501903	4D0411317K	STABILIZZATORE - ALLUMINIO STABILIZER LINK - ALUMINIUM		
0502084	4D0505465D	STABILIZZATORE STABILIZER LINK		
0502085	4D0501529F	STABILIZZATORE - ALLUMINIO STABILIZER LINK - ALUMINIUM		
0582086	4D0505548C	STABILIZZATORE STABILIZER LINK		
0592086	4D0505547C	STABILIZZATORE STABILIZER LINK		
1214126	4D0411327H	SILENTBLOCK BARRA STABILIZZATRICE STABILIZING BAR BUSHING		DIAM. 27 mm.
1215207	4D0407516C	SILENTBLOCK BUSHING		
0904188-K	-	KIT STERZO E SOSPENSIONI - SENZA STABILIZZATORI STEERING & SUSPENSION KIT WITHOUT STABILIZER LINK		
0904199-K	-	KIT STERZO E SOSPENSIONI CON STABILIZZATORI STEERING & SUSPENSION KIT WITH STABILIZER LINK		

DESTRO
RIGHT



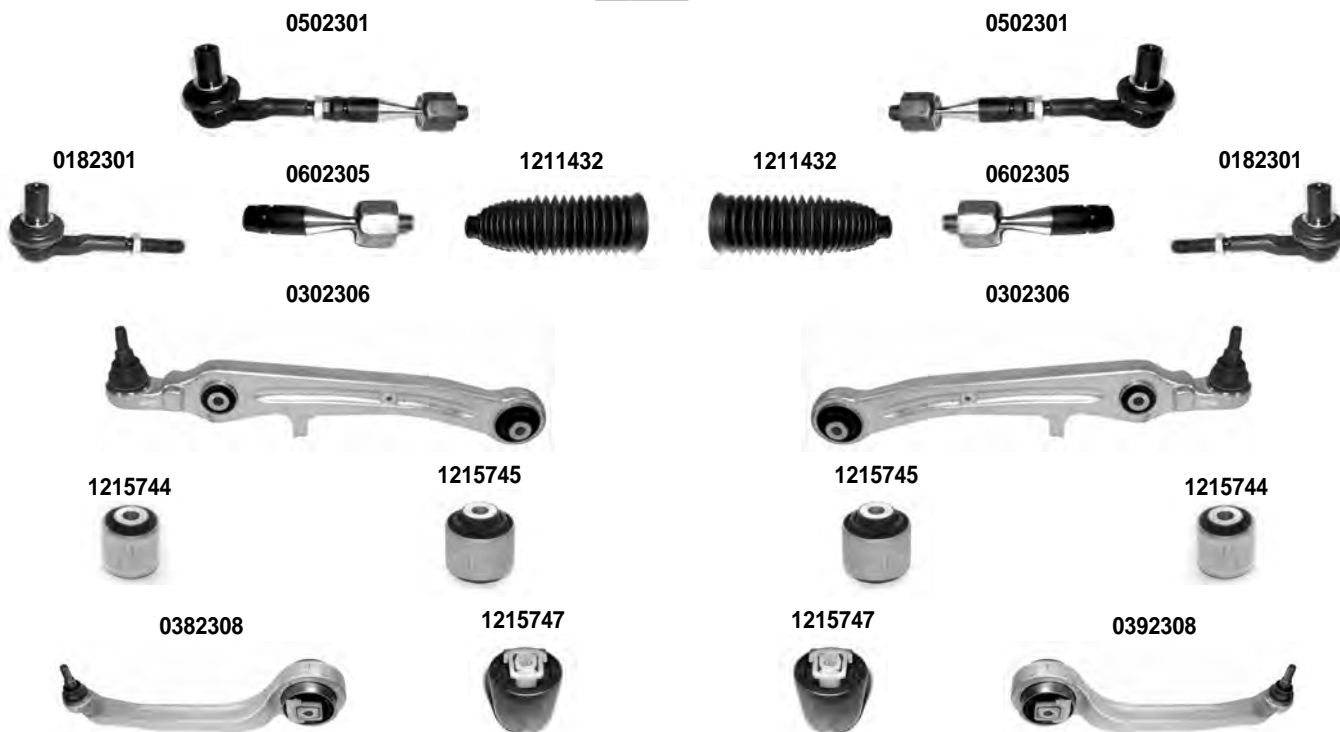
SINISTRO
LEFT

A 8	4E	09/2002 > 12/2010
-----	----	-------------------

Asse Anteriore



Front Axle



OCAP	O.E.			
0182301	4E0419811E	TESTA STERZO TIE ROD END		RHT M16x1,5
0302306	4E0407151G	BRACCIO OSCILLANTE - INFERIORE - ALLUMINIO TRACK CONTROL ARM - LOWER - ALUMINIUM		
0382308	4E0407694N	BRACCIO OSCILLANTE - INFERIORE - ALLUMINIO TRACK CONTROL ARM - LOWER - ALUMINIUM		
0392308	4E0407693N	BRACCIO OSCILLANTE - INFERIORE - ALLUMINIO TRACK CONTROL ARM - LOWER - ALUMINIUM		
0502301	4E0419801D	BARRA STERZO TIE ROD		
0602305	4E0419821	SNODO ASSIALE AXIAL JOINT		RHT M16x1,5
1211432	4E0419831	CUFFIA STERZO STEERING GAITER		
1215744	4E0407181B	SILENTBLOCK CENTRALE CENTRAL BUSHING		
1215745	4E0407182C	SILENTBLOCK ESTREMO OUTER BUSHING		
1215747	4E0407183A	SILENTBLOCK BUSHING		

DESTRO
RIGHT

 SINISTRO
LEFT

A 8

4E

09/2002 > 12/2010

Asse Anteriore



Front Axle


0382298

1215155

1215155

0392298

0382299

1215155

1215155

0392299

0502300

0502300

Asse Posteriore



Rear Axle


0302328

1215796

1215796

0302328

0502330

0582086

0592086

0502330

OCAP	O.E.		
0302328	4E0501529D	BRACCIO SOSPENSIONE - ALLUMINIO TRACK CONTROL - ALUMINIUM	
0382298	4E0407506B	BRACCIO OSCILLANTE - SUPERIORE - ALLUMINIO TRACK CONTROL ARM - UPPER - ALUMINIUM	
0382299	4E0407510B	BRACCIO OSCILLANTE - SUPERIORE - ALLUMINIO TRACK CONTROL ARM - UPPER - ALUMINIUM	
0392298	4E0407505B	BRACCIO OSCILLANTE - SUPERIORE - ALLUMINIO TRACK CONTROL ARM - UPPER - ALUMINIUM	
0392299	4E0407509B	BRACCIO OSCILLANTE - SUPERIORE - ALLUMINIO TRACK CONTROL ARM - UPPER - ALUMINIUM	
0502300	4E0411317E	STABILIZZATORE - ALLUMINIO STABILIZER LINK - ALUMINIUM	
0502330	4E0505465G	STABILIZZATORE STABILIZER LINK	
0582086	4D0505548C	STABILIZZATORE STABILIZER LINK	
0592086	4D0505547C	STABILIZZATORE STABILIZER LINK	
1215155	8D0407515A	SILENTBLOCK BRACCI SUPERIORI UPPER CONTROL ARM BUSHING	
1215796	-	SILENTBLOCK BRACCIO SOSPENSIONE TRACK CONTROL ARM BUSHING	

DESTRO
RIGHT



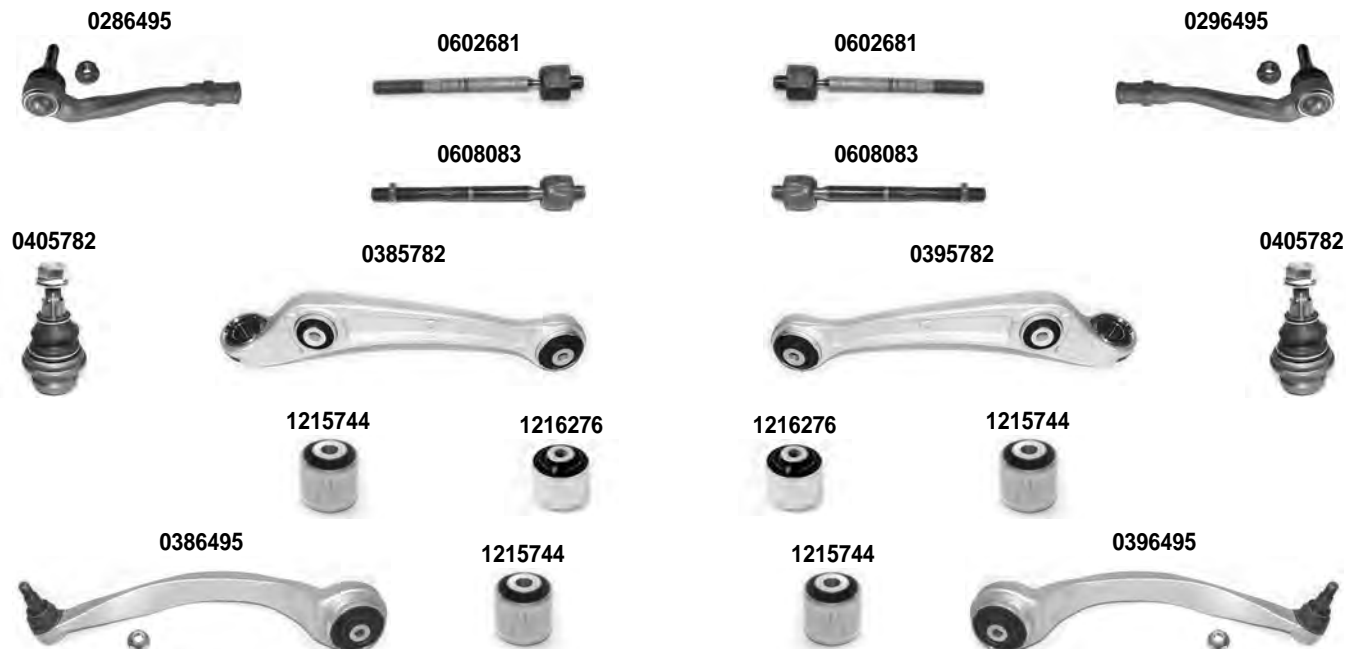
SINISTRO
LEFT

A 8	4H	11/2009 > 01/2018
-----	----	-------------------

Asse Anteriore



Front Axle



i 1) MODELLI CON SERVOSTERZO ELETTRICO - FOR MODELS WITH ELECTRIC POWER STEERING

OCAP	O.E.		
0286495	4H0422818A	TESTA STERZO TIE ROD END	RHT M16x1,5
0296495	4H0422817A	TESTA STERZO TIE ROD END	RHT M16x1,5
0385782	4H0407152B	BRACCIO OSCILLANTE - INFERIORE - ALLUMINIO TRACK CONTROL ARM - LOWER - ALUMINIUM	
0386495	4H0407694G	BRACCIO OSCILLANTE - INFERIORE - ALLUMINIO TRACK CONTROL ARM - LOWER - ALUMINIUM	
0395782	4H0407151B	BRACCIO OSCILLANTE - INFERIORE - ALLUMINIO TRACK CONTROL ARM - LOWER - ALUMINIUM	
0396495	4H0407693G	BRACCIO OSCILLANTE - INFERIORE - ALLUMINIO TRACK CONTROL ARM - LOWER - ALUMINIUM	
0405782	4H0407689A	SNODO SOSPENSIONE - INFERIORE SUSPENSION JOINT - LOWER	
0602681	8J0423810	SNODO ASSIALE AXIAL JOINT	RHT M16x1,5
0608083	4G0423810A	SNODO ASSIALE AXIAL JOINT	1) RHT M16x1,5
1215744	4E0407181B	SILENTBLOCK CENTRALE - ALLUMINIO CENTRAL BUSHING - ALUMINIUM	
1216276	4H0407182B	SILENTBLOCK ESTREMO - ALLUMINIO OUTER BUSHING - ALUMINIUM	

DESTRO
RIGHT

 SINISTRO
LEFT

A 8

4H

11/2009 > 01/2018

Asse Anteriore



Front Axle



Asse Posteriore



Rear Axle



OCAP	O.E.			
0386496	4H0407506E	BRACCIO OSCILLANTE - SUPERIORE - ALLUMINIO TRACK CONTROL ARM - UPPER - ALUMINIUM		
0386497	4H0407510E	BRACCIO OSCILLANTE - SUPERIORE - ALLUMINIO TRACK CONTROL ARM - UPPER - ALUMINIUM		
0396496	4H0407505E	BRACCIO OSCILLANTE - SUPERIORE - ALLUMINIO TRACK CONTROL ARM - UPPER - ALUMINIUM		
0396497	4H0407509E	BRACCIO OSCILLANTE - SUPERIORE - ALLUMINIO TRACK CONTROL ARM - UPPER - ALUMINIUM		
0502654	8K0411317E	STABILIZZATORE STABILIZER LINK		
0508083	8K0505465E	STABILIZZATORE STABILIZER LINK		
0705780	8K0501529L	BRACCIO OSCILLANTE - INFERIORE TRACK CONTROL ARM- LOWER		
1214145	1K0511327AS	SILENTBLOCK BARRA STABILIZZATRICE STABILIZING BAR BUSHING		DIAM. 17 mm.
1215845	8K0501530N *	SILENTBLOCK BRACCIO OSCILLANTE - INFERIORE TRACKCONTROL ARM BUSHING - LOWER		
1215971	8R0407515	SILENTBLOCK BUSHING		

DESTRO
RIGHT



SINISTRO
LEFT

COUPE' QUATTRO

1980 > 1988

Asse Anteriore



Front Axle

0282012



0282012



1211086



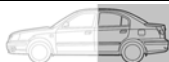
0902425



1211086



Asse Posteriore



Rear Axle

0402068



0502092



0502092



0402068



i 1) CH. 85-D-900 001 >

OCAP	O.E.		i	
0282012	811419812A	TESTA STERZO TIE ROD END		RHT M14x1,5
0402068	857505365	SNODO SOSPENSIONE SUSPENSION JOINT	1)	DIAM. 16 mm.
0502092	857501499C	BARRA SOSPENSIONE CROSS ROD		
0902425	-	KIT CUFFIE STERZO STEERING GAITER KIT		
1211086	811419831B	CUFFIA STERZO STEERING GAITER		

DESTRO
RIGHT



SINISTRO
LEFT

COUPE'
COUPE' QUATTRO - S2

1988 >
1990 >

Asse Anteriore



Front Axle



i 1) LHD 2) > CH. 8B-L-003791
3) CH. 8B-L-003792 >

OCAP	O.E.		i	
0282012	811419812A	TESTA STERZO TIE ROD END		RHT M14x1,5
0482004	893407366F	SNODO SOSPENSIONE SUSPENSION JOINT	2)	DIAM. 19 mm.
0482005	8A0407366	SNODO SOSPENSIONE SUSPENSION JOINT	3)	DIAM. 19 mm.
0492004	893407365F	SNODO SOSPENSIONE SUSPENSION JOINT	2)	DIAM. 19 mm.
0492005	8A0407365	SNODO SOSPENSIONE SUSPENSION JOINT	3)	DIAM. 19 mm.
0582008	893419802	BARRA STERZO TIE ROD	1)	
0592016	811419801E	BARRA STERZO TIE ROD	1)	
0902425	-	KIT CUFFIE STERZO STEERING GAITER KIT		
1211086	811419831B	CUFFIA STERZO STEERING GAITER		
1214137	893411327E	SILENTBLOCK BARRA STABILIZZATRICE STABILIZING BAR BUSHING		DIAM. 23,5 mm.

COUPE

DESTRO
RIGHT

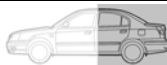


SINISTRO
LEFT

COUPE'
COUPE' QUATTRO - S2

1988 >
1990 >

Asse Posteriore



Rear Axle

0582099



0592099



0480451



0502096



0502096



0490451



5) MOD. QUATTRO		6) MOD. COUPE' QUATTRO		
OCAP	O.E.			
0480451	893505366C	SNODO SOSPENSIONE SUSPENSION JOINT	6)	
0490451	893505365C	SNODO SOSPENSIONE SUSPENSION JOINT	6)	
0502096	895505389	STABILIZZATORE ESTERNO STABILIZER LINK OUTER	5)	
0582099	8A0505466C	STABILIZZATORE STABILIZER LINK	5)	
0592099	8A0505465C	STABILIZZATORE STABILIZER LINK	5)	

DESTRO
RIGHT



SINISTRO
LEFT

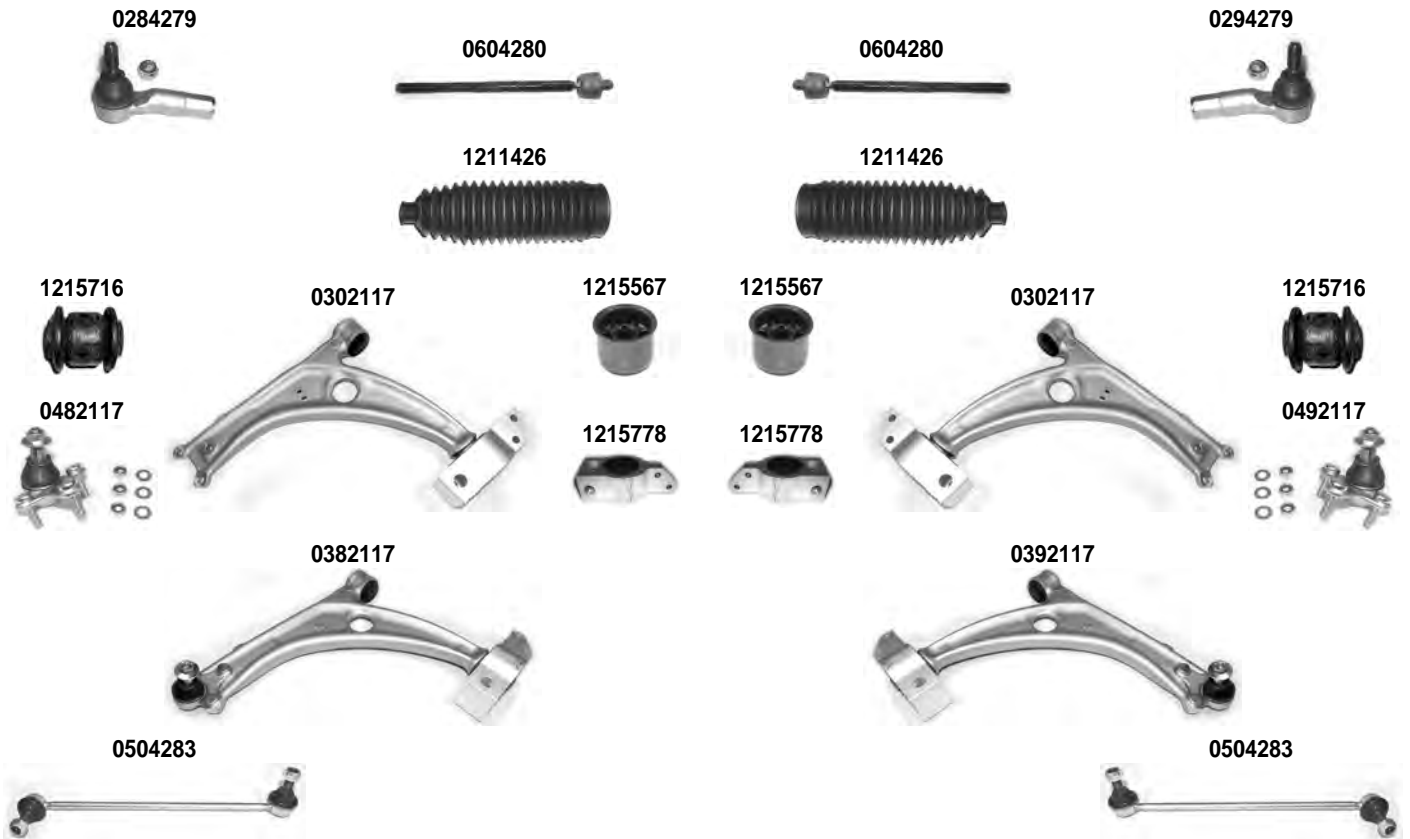
03

Q3	8U	06/2011 >
----	----	-----------

Asse Anteriore



Front Axle



OCAP	O.E.		
0284279	1K0423812E	TESTA STERZO TIE ROD END	RHT M16x1,5
0294279	1K0423811E	TESTA STERZO TIE ROD END	RHT M16x1,5
0302117	3C0407151A	BRACCIO OSCILLANTE - INFERIORE - ALLUMINIO TRACK CONTROL ARM - LOWER - ALUMINIUM	
0382117	-	BRACCIO OSCILLANTE - INFERIORE - ALLUMINIO - COMPLETO TRACK CONTROL ARM - LOWER - ALUMINIUM - COMPLETE	
0392117	-	BRACCIO OSCILLANTE - INFERIORE - ALLUMINIO - COMPLETO TRACK CONTROL ARM - LOWER - ALUMINIUM - COMPLETE	
0482117	3C0407366B	SNODO SOSPENSIONE - INFERIORE BALL JOINT - LOWER	
0492117	3C0407365B	SNODO SOSPENSIONE - INFERIORE BALL JOINT - LOWER	
0504283	1K0411315J	STABILIZZATORE STABILIZER LINK	
0604280	1K0423810A	SNODO ASSIALE AXIAL JOINT	RHT M16x1,5
1211426	1K0423831A	CUFFIA STERZO STEERING GAITER	
1215567	1K0407183E	SILENTBLOCK BUSHING	
1215716	1K0407182	SILENTBLOCK CENTRALE CENTRAL BUSHING	
1215778	3C0199231A	SILENTBLOCK ESTREMO - ALLUMINIO OUTER BUSHING - ALUMINIUM	

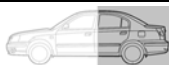
DESTRO
RIGHT



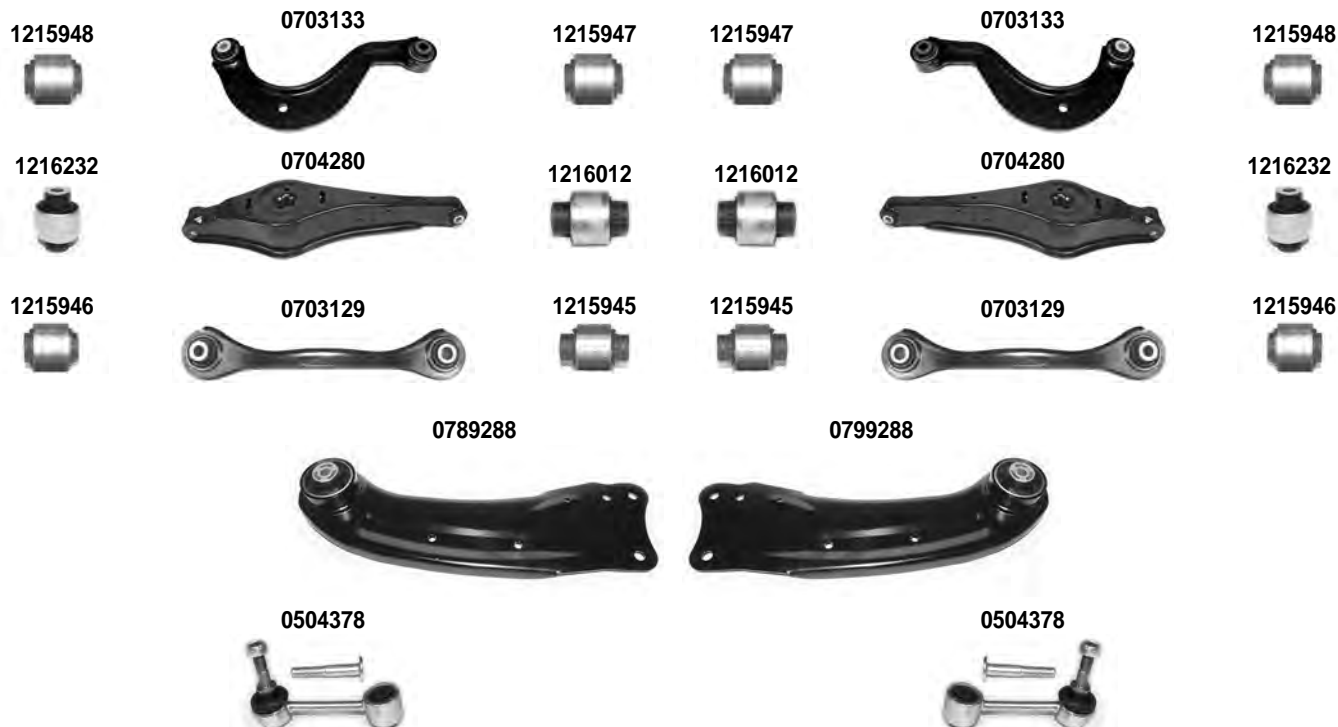
SINISTRO
LEFT

Q3	8U	06/2011 >
----	----	-----------

Asse Posteriore



Rear Axle



OCAP	O.E.			
0504378	1K0505465K	STABILIZZATORE STABILIZER LINK		
0703129	1K0501529J	BRACCIO SOSPENSIONE SUSPENSION ARM		
0703133	1K0505323N	BRACCIO SOSPENSIONE CONTROL ARM		
0704280	1K0505311AB	BRACCIO SOSPENSIONE SUSPENSION ARM		
0789288	3C0505224D	BRACCIO SOSPENSIONE SUSPENSION ARM		
0799288	3C0505223D	BRACCIO SOSPENSIONE SUSPENSION ARM		
1215945	-	SILENTBLOCK BRACCIO SOSPENSIONE - INTERNO CONTROL ARM BUSHING - INNER		DIAM. 12 mm.
1215946	-	SILENTBLOCK BRACCIO SOSPENSIONE - ESTERNO CONTROL ARM BUSHING - OUTER		DIAM. 14 mm.
1215947	1K0505279A	SILENTBLOCK BRACCIO SOSPENSIONE SUSPENSION ARM BUSHING - INNER		DIAM. 12 mm.
1215948	1K0505203A	SILENTBLOCK BRACCIO SOSPENSIONE - ESTERNO SUSPENSION ARM BUSHING - OUTER		DIAM. 14 mm.
1216012	1K0505311AB *	SILENTBLOCK BUSHING		
1216232	1K0505553A	SILENTBLOCK BUSHING		

DESTRO
RIGHT



SINISTRO
LEFT

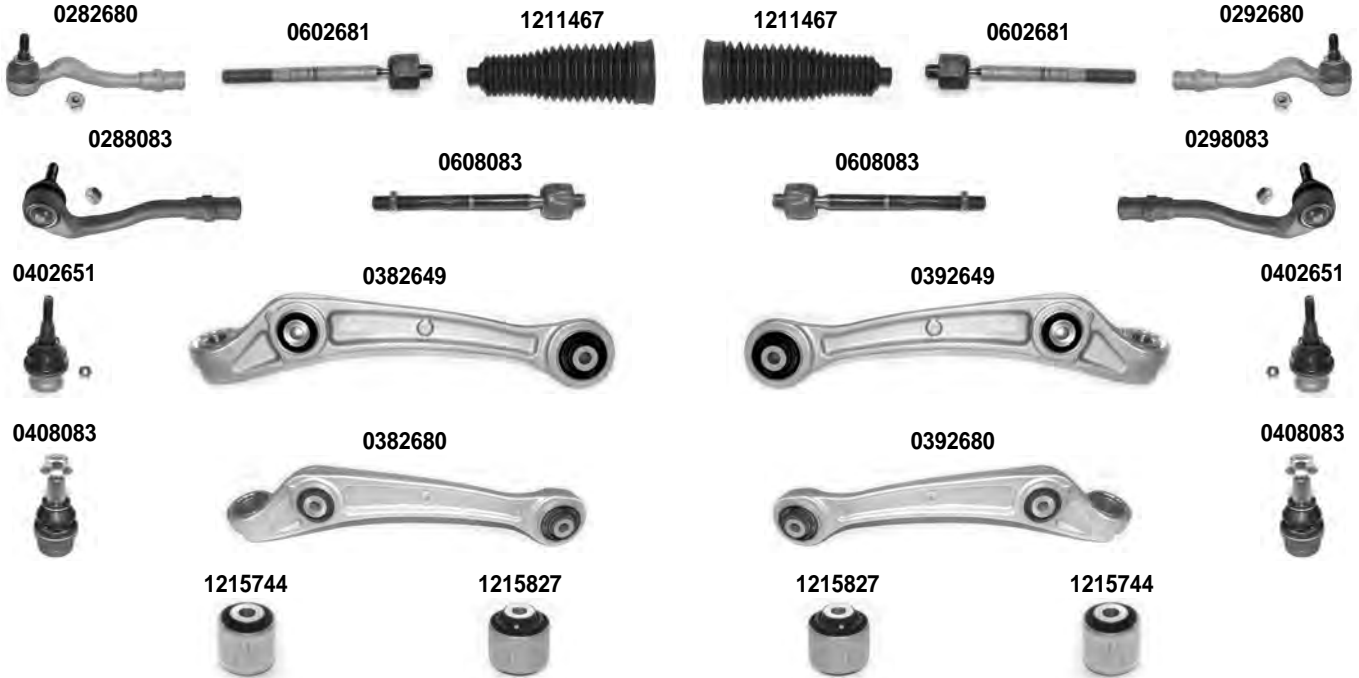
09

Q5	8R	11/2008 >
----	----	-----------

Asse Anteriore



Front Axle



i 1) SERVOSTERZO IDRAULICO - HYDRAULIC POWER STEERING 3) > 07/2011	2) SERVOSTERZO ELETTRICO - ELECTRIC POWER STEERING 4) 08/2011 >
---	---

OCAP	O.E.		i	
0282680	8K0422818B	TESTA STERZO TIE ROD END	1)	RHT M16x1,5
0288083	4G0423812A	TESTA STERZO TIE ROD END	2)	RHT M16x1,5
0292680	8K0422817B	TESTA STERZO TIE ROD END	1)	RHT M16x1,5
0298083	4G0423811A	TESTA STERZO TIE ROD END	2)	RHT M16x1,5
0382649	8K0407152C	BRACCIO OSCILLANTE - INFERIORE - ALLUMINIO TRACK CONTROL ARM - LOWER - ALUMINIUM	3)	
0382680	8K0407152G	BRACCIO OSCILLANTE - INFERIORE - ALLUMINIO TRACK CONTROL ARM - LOWER - ALUMINIUM	4)	
0392649	8K0407151C	BRACCIO OSCILLANTE - INFERIORE - ALLUMINIO TRACK CONTROL ARM - LOWER - ALUMINIUM	3)	
0392680	8K0407151G	BRACCIO OSCILLANTE - INFERIORE - ALLUMINIO TRACK CONTROL ARM - LOWER - ALUMINIUM	4)	
0402651	8K0407689G	SNODO SOSPENSIONE - INFERIORE BALL JOINT - LOWER	3)	
0408083	4G0407689A	SNODO SOSPENSIONE - INFERIORE BALL JOINT - LOWER	4)	
0602681	8J0423810	SNODO ASSIALE AXIAL JOINT	1)	RHT M16x1,5
0608083	4G0423810A	SNODO ASSIALE AXIAL JOINT	2)	RHT M16x1,5
1211467	8K0422831	CUFFIA STERZO STEERING GAITER	1)	
1215744	4E0407181B	SILENTBLOCK CENTRALE CENTRAL BUSHING		
1215827	8K0407182B	SILENTBLOCK ESTREMO OUTER BUSHING		

DESTRO
RIGHT



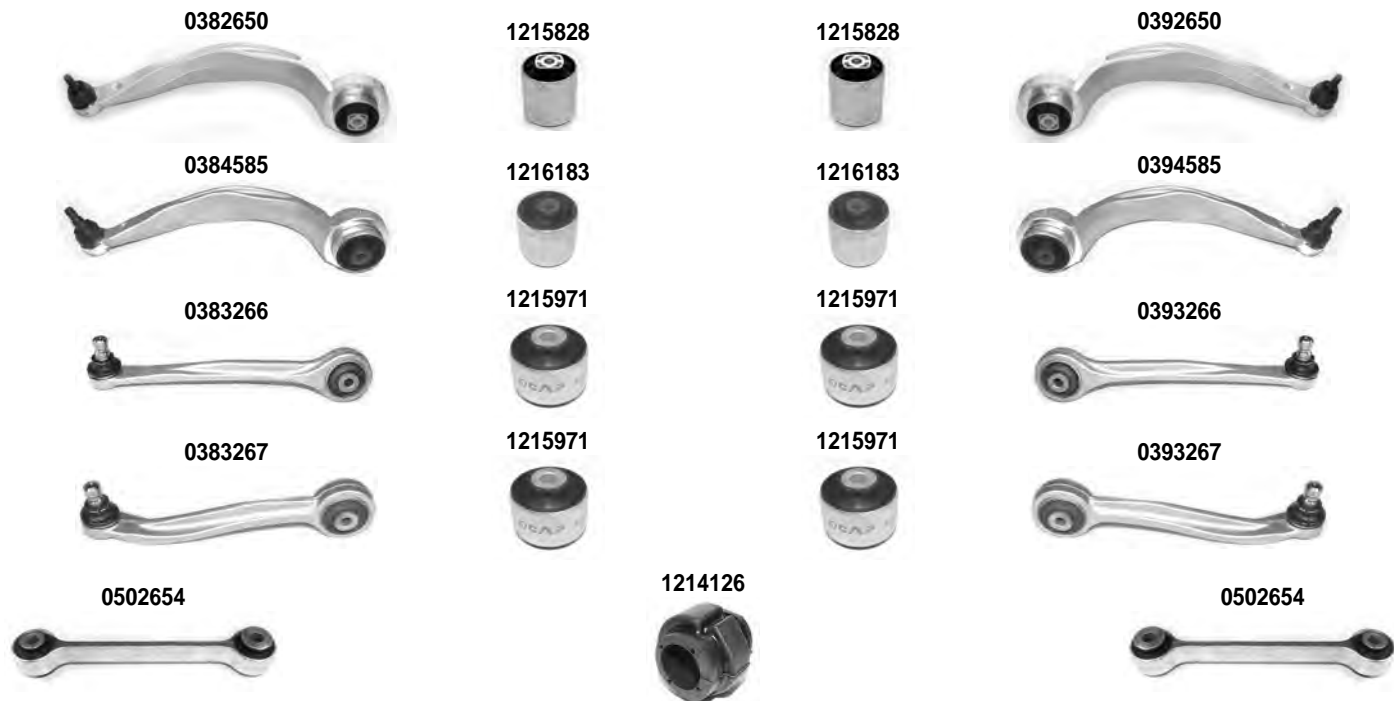
SINISTRO
LEFT

Q5	8R	11/2008 >
----	----	-----------

Asse Anteriore



Front Axle



i 3) > 07/2011	4) 08/2011 >
-----------------------	--------------

OCAP	O.E.		i	
0382650	8K0407694N	BRACCIO OSCILLANTE - INFERIORE - ALLUMINIO TRACK CONTROL ARM - FRONT AXLE - LOWER - ALUMINIUM	3)	
0383266	8K0407506B	BRACCIO OSCILLANTE - SUPERIORE - ALLUMINIO TRACK CONTROL ARM - UPPER - ALUMINIUM		
0383267	8K0407510M	BRACCIO OSCILLANTE - SUPERIORE - ALLUMINIO TRACK CONTROL ARM - UPPER - ALUMINIUM		
0384585	8K0407694S	BRACCIO OSCILLANTE - INFERIORE - ALLUMINIO TRACK CONTROL ARM - LOWER - ALUMINIUM	4)	
0392650	8K0407693N	BRACCIO OSCILLANTE - INFERIORE - ALLUMINIO TRACK CONTROL ARM - FRONT AXLE - LOWER - ALUMINIUM	3)	
0393266	8K0407505B	BRACCIO OSCILLANTE - SUPERIORE - ALLUMINIO TRACK CONTROL ARM - UPPER - ALUMINIUM		
0393267	8K0407509M	BRACCIO OSCILLANTE - SUPERIORE - ALLUMINIO TRACK CONTROL ARM - UPPER - ALUMINIUM		
0394585	8K0407693S	BRACCIO OSCILLANTE - INFERIORE - ALLUMINIO TRACK CONTROL ARM - LOWER - ALUMINIUM	4)	
0502654	8K0411317E	STABILIZZATORE STABILIZER LINK		
1214126	4D0411327H	SILENTBLOCK BARRA STABILIZZATRICE STABILIZING BAR BUSHING		DIAM. 27 mm.
1215828	8K0407183A	SILENTBLOCK BUSHING	3)	DIAM. 65 mm.
1215971	8R0407515	SILENTBLOCK BUSHING		
1216183	8K0407183D	SILENTBLOCK BUSHING	4)	DIAM. 75 mm.

DESTRO
RIGHT



SINISTRO
LEFT

09

Q5

8R

11/2008 >

Asse Posteriore



Rear Axle

1215844

0382682

1215844

1215844

0392682

1215844



1215845

0382683

1215845

1215845

0392683

1215845



1215845

0705780

1215845

1215845

0705780

1215845






0508083



0508083



OCAP	O.E.			
0382682	8K0505324F	BRACCIO OSCILLANTE - SUPERIORE - ALLUMINIO TRACK CONTROL ARM - UPPER - ALUMINIUM		
0382683	8K0501530N	BRACCIO OSCILLANTE - INFERIORE - ALLUMINIO TRACK CONTROL ARM - LOWER - ALUMINIUM		
0392682	8K0505323F	BRACCIO OSCILLANTE - SUPERIORE - ALLUMINIO TRACK CONTROL ARM - UPPER - ALUMINIUM		
0392683	8K0501529N	BRACCIO OSCILLANTE - INFERIORE - ALLUMINIO TRACK CONTROL ARM - LOWER - ALUMINIUM		
0508083	8K0505465E	STABILIZZATORE STABILIZER LINK		
0705780	8K0501529L	BRACCIO OSCILLANTE - INFERIORE TRACK CONTROL ARM - LOWER		
1215844	8K0505324F *	SILENTBLOCK BUSHING		
1215845	8K0501530N *	SILENTBLOCK BUSHING		

Q7

DESTRO
RIGHT



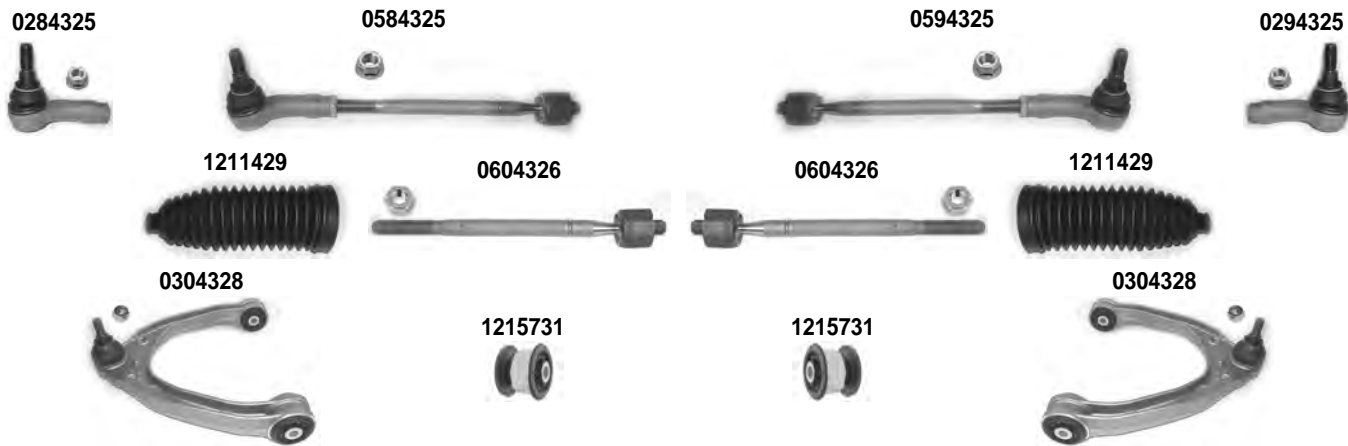
SINISTRO
LEFT

Q7	4L	2006 > 08/2015
----	----	----------------

Asse Anteriore



Front Axle



OCAP	O.E.		
0284325	7L0422818D	TESTA STERZO TIE ROD END	RHT M16x1,5
0294325	7L0422817D	TESTA STERZO TIE ROD END	RHT M16x1,5
0304328	7L0407021B	BRACCIO OSCILLANTE - SUPERIORE - ALLUMINIO TRACK CONTROL ARM - UPPER - ALUMINIUM	
0584325	7L0422804D	BARRA STERZO TIE ROD	
0594325	7L0422803D	BARRA STERZO TIE ROD	
0604326	7L0422821	SNODO ASSIALE AXIAL JOINT	RHT M16x1,5
1211429	7L0422831A	CUFFIA STERZO STEERING GAITER	
1215731	7L0407077	SILENTBLOCK BUSHING	

DESTRO
RIGHT



SINISTRO
LEFT

Q7

Q7	4L	2006 > 08/2015
----	----	----------------

Asse Anteriore



Front Axle



i 1) 06/2010 > 3) > 04/2010 - VERSIONE RUSSIA - RUSSIAN VERSION	2) > CH. 4L-8-053 604
---	-----------------------

OCAP	O.E.		
0384332	7L0407152K	BRACCIO OSCILLANTE - INFERIORE - GHISA TRACK CONTROL ARM- LOWER - CAST IRON	3)
0384593	7P0407152E	BRACCIO OSCILLANTE - INFERIORE - ALLUMINIO TRACK CONTROL ARM - LOWER - ALUMINIUM	1)
0394332	7L0407151K	BRACCIO OSCILLANTE - INFERIORE - GHISA TRACK CONTROL ARM- LOWER - CAST IRON	3)
0394593	7P0407151E	BRACCIO OSCILLANTE - INFERIORE - ALLUMINIO TRACK CONTROL ARM - LOWER - ALUMINIUM	1)
0504329	7L0411317	STABILIZZATORE STABILIZER LINK	
1215732	7L0407183A	SILENTBLOCK CENTRALE CENTRAL BUSHING	
1215733	7L0412333A	SILENTBLOCK CENTRALE LATO SNODO - N. 1 PEZZO CENTRAL BUSHING BALL JOINT SIDE - N. 1 PIECE	
1215734	7L0407182E	SILENTBLOCK ESTREMO OUTER BUSHING	2) DIAM. 60,2 mm.
1215735	7L0411317 *	SILENTBLOCK BUSHING	
1215882	7L0407182F	SILENTBLOCK ESTREMO OUTER BUSHING	1) DIAM. 72 mm.

Q7

DESTRO
RIGHT



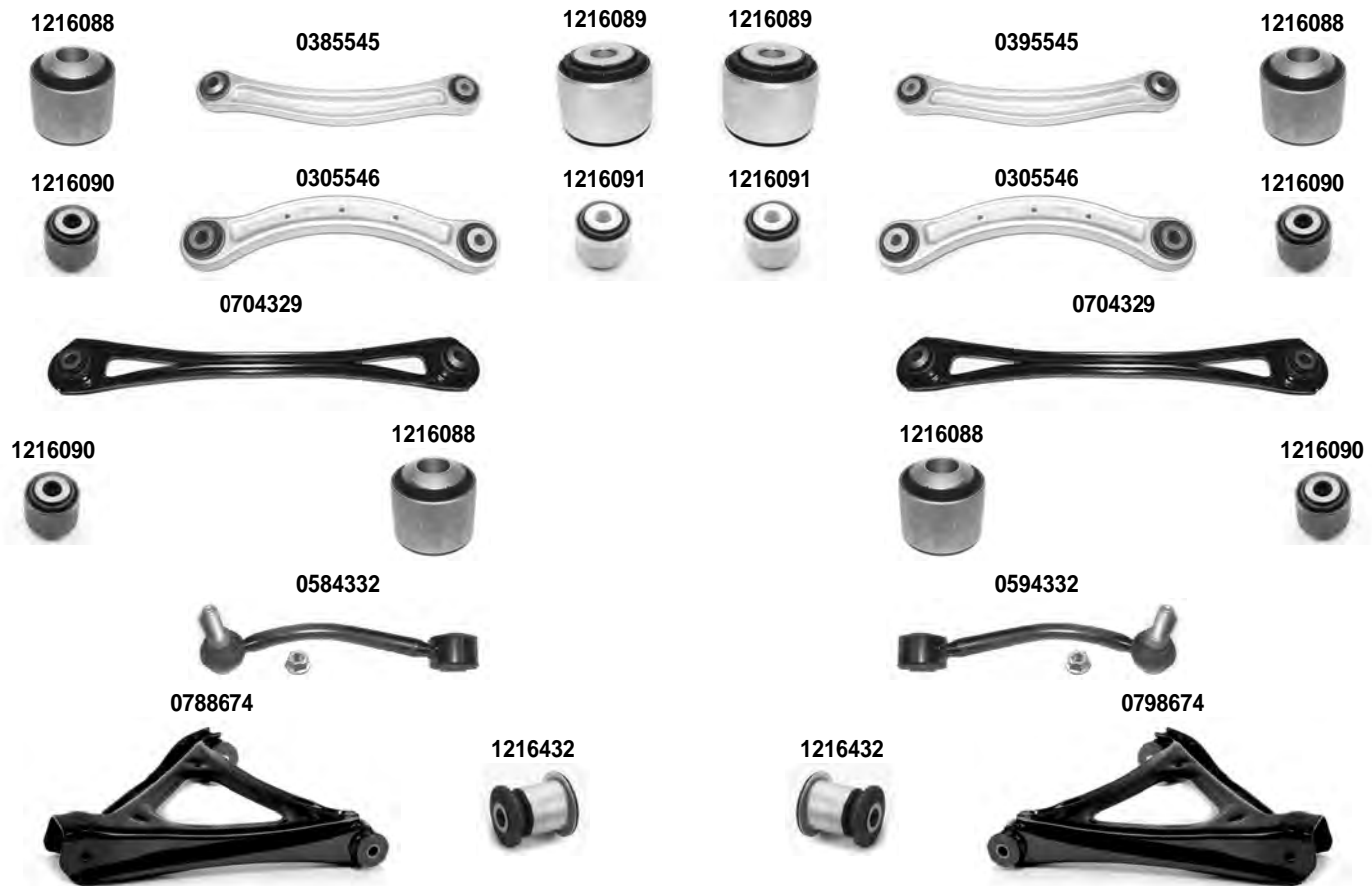
SINISTRO
LEFT

Q7	4L	2006 > 08/2015
----	----	----------------

Asse Posteriore



Rear Axle



OCAP	O.E.			
0305546	7L0505323A	BRACCIO OSCILLANTE - ALLUMINIO TRACK CONTROL ARM - ALUMINIUM		
0385545	7L0505398	BRACCIO OSCILLANTE - ALLUMINIO TRACK CONTROL ARM - ALUMINIUM		
0395545	7L0505397	BRACCIO OSCILLANTE - ALLUMINIO TRACK CONTROL ARM - ALUMINIUM		
0584332	7L0505466C	STABILIZZATORE STABILIZER LINK		
0594332	7L0505465C	STABILIZZATORE STABILIZER LINK		
0704329	7L0501529D	BRACCIO OSCILLANTE TRACK CONTROL ARM		
0788674	7L0505312B	BRACCIO OSCILLANTE - INFERIORE TRACK CONTROL ARM - LOWER		
0798674	7L0505311B	BRACCIO OSCILLANTE - INFERIORE TRACK CONTROL ARM - LOWER		
1216088	7L0505398 *	SILENTBLOCK BUSHING		
1216089	7L0505397 *	SILENTBLOCK BUSHING		
1216090	7L0505323A *	SILENTBLOCK BUSHING		
1216091	7L0505375A *	SILENTBLOCK BUSHING		
1216432	7L0505311B *	SILENTBLOCK BUSHING		

DESTRO
RIGHT



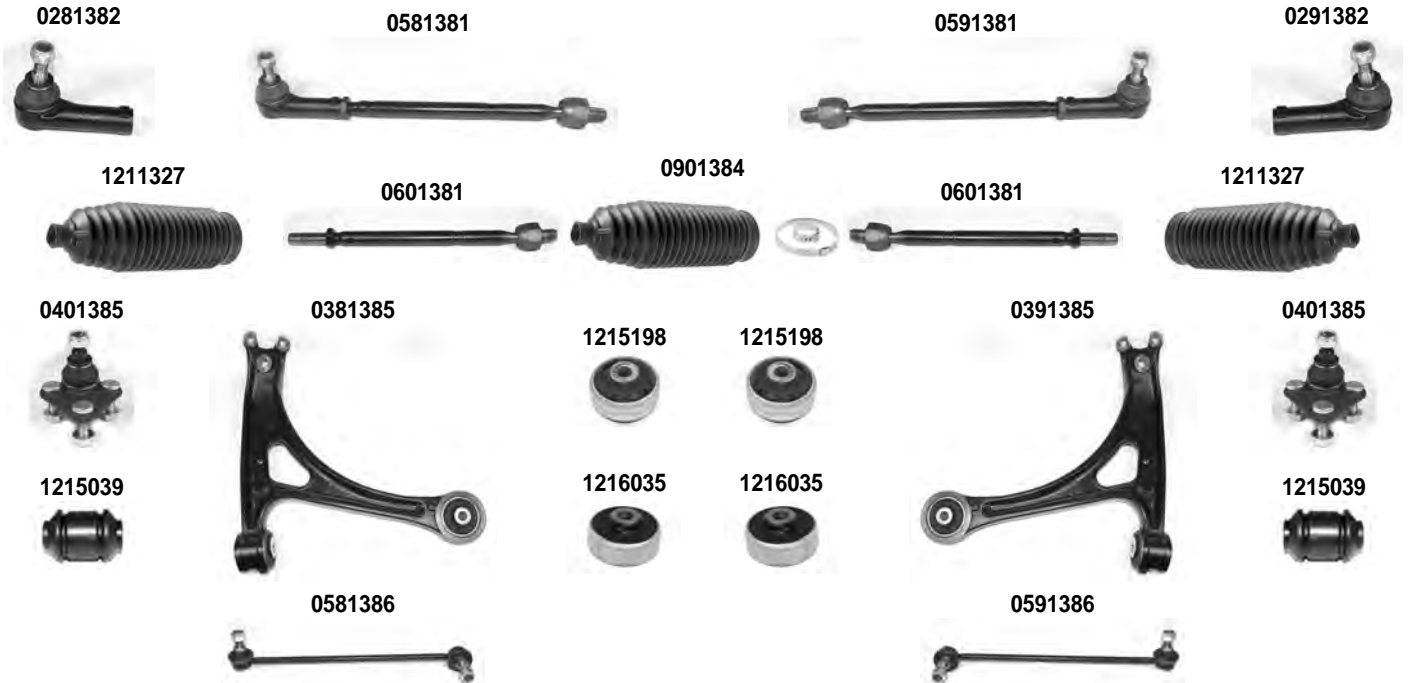
SINISTRO
LEFT

TT	8N3	10/1998 > 06/2006
----	-----	-------------------

Asse Anteriore



Front Axle



i 1) ECCEETTO SOSPENSIONI SPORTIVE - EXCEPT SPORTS SUSPENSIONS 2) VERSIONE RINFORZATA - RENFORCED

OCAP	O.E.		i	
0281382	8N0422812A	TESTA STERZO TIE ROD END		RHT M16x1,5
0291382	8N0422811A	TESTA STERZO TIE ROD END		RHT M16x1,5
0381385	8N0407152D	BRACCIO OSCILLANTE TRACK CONTROL ARM		
0391385	8N0407151D	BRACCIO OSCILLANTE TRACK CONTROL ARM		
0401385	8N0407365C	SNODO SOSPENSIONE - CON KIT VITI E DADI SUSPENSION JOINT - WITH KIT		
0581381	8N0422804C	BARRA STERZO TIE ROD	1)	
0581386	1J0411316D	STABILIZZATORE STABILIZER LINK		
0591381	8N0422803C	BARRA STERZO TIE ROD	1)	
0591386	1J0411315D	STABILIZZATORE STABILIZER LINK		
0601381	8N0422807D	SNODO ASSIALE AXIAL JOINT	1)	RHT M16x1,5
0901384	-	KIT CUFFIE STERZO STEERING GAITER KIT		
1211327	8N0422831	CUFFIA STERZO STEERING GAITER		
1215039	357407182	SILENTBLOCK BUSHING		
1215198	1J0407181	SILENTBLOCK BUSHING		
1216035	8N0407181B	SILENTBLOCK BUSHING	2)	

TT

DESTRO
RIGHT



SINISTRO
LEFT

TT	8N3	10/1998 > 06/2006
----	-----	-------------------

Asse Anteriore



Front Axle



Asse Posteriore



Rear Axle



i 3) SOLO PER MOD. QUATTRO SENZA DOTAZIONE STRADE DISSESTATE - ONLY FOR MOD. QUATTRO WITHOUT OFF-ROAD SUSPENSION	4) SOLO PER MOD. QUATTRO CON DOTAZIONE STRADE DISSESTATE - ONLY FOR MOD. QUATTRO WITH OFF-ROAD SUSPENSION
---	---

OCAP	O.E.		i	
0502118	1J0505466B	STABILIZZATORE STABILIZER LINK	3)	
0502119	1J0505466C	STABILIZZATORE STABILIZER LINK	4)	
0903137	6R0501541A *	KIT SILENTBLOCK BUSHING KIT		DIAM. 72 mm.
0905577	1J0501541D *	KIT SILENTBLOCK BUSHING KIT		DIAM. 69 mm.
1214051	1J0411314R	SILENTBLOCK BARRA STABILIZZATRICE STABILIZING BAR BUSHING		DIAM. 17 mm.
1214089	1J0411314T	SILENTBLOCK BARRA STABILIZZATRICE STABILIZING BAR BUSHING		DIAM. 21 mm.
1214128	1J0411314P	SILENTBLOCK BARRA STABILIZZATRICE STABILIZING BAR BUSHING		DIAM. 20 mm.
1214133	1J0411314S	SILENTBLOCK BARRA STABILIZZATRICE STABILIZING BAR BUSHING		DIAM. 17 mm.
1214142	1J0411314AC	SILENTBLOCK BARRA STABILIZZATRICE STABILIZING BAR BUSHING		DIAM. 18 mm.
1215200	6R0501541A	SILENTBLOCK BUSHING		DIAM. 72 mm.
1216151	1J0501541D	SILENTBLOCK BUSHING		DIAM. 69 mm.

DESTRO
RIGHT



SINISTRO
LEFT

TT
TT ROADSTER

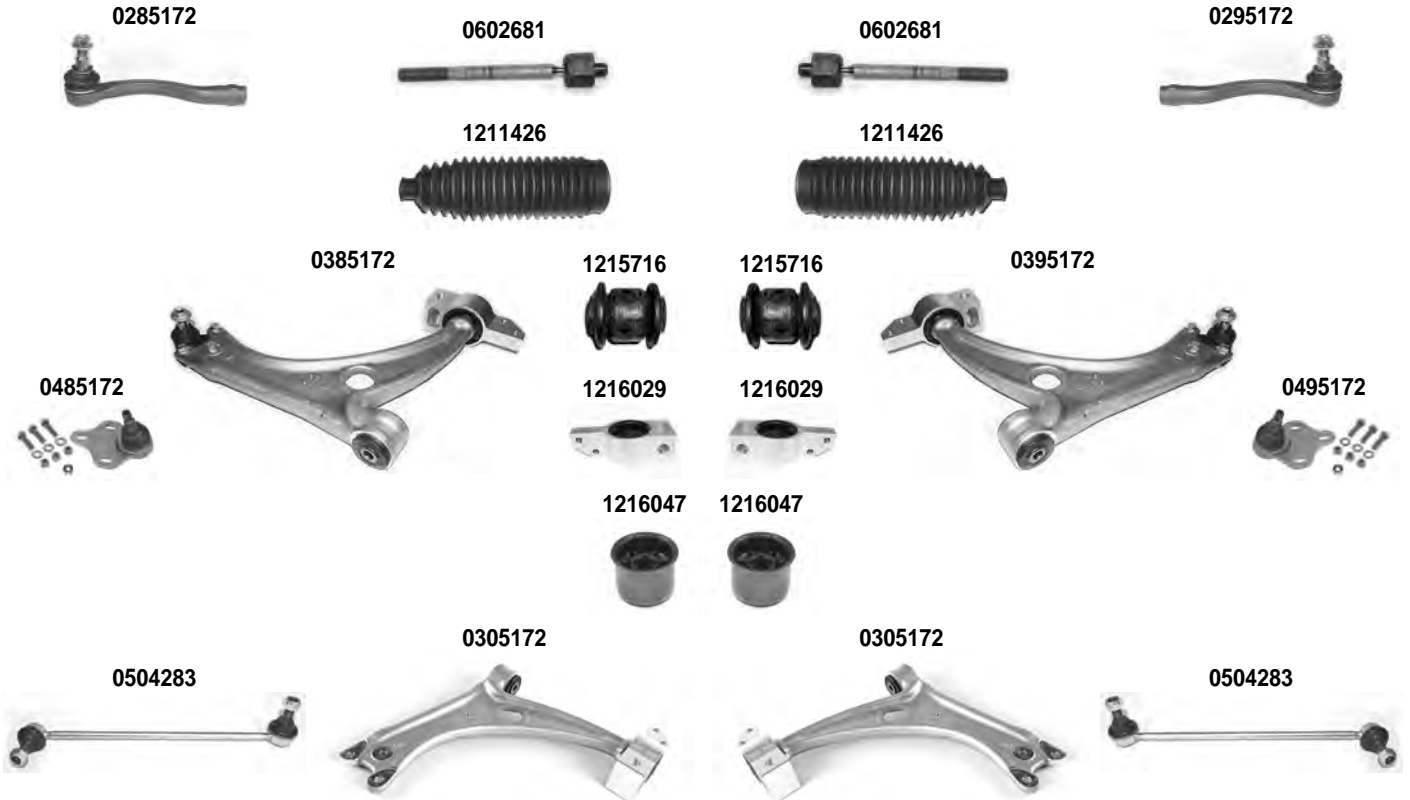
8J3
8J9

10/2006 > 2014
02/2007 > 2014

Asse Anteriore



Front Axle



OCAP	O.E.		i	
0285172	8J0423812	TESTA STERZO TIE ROD END		RHT M16x1,5
0295172	8J0423811	TESTA STERZO TIE ROD END		RHT M16x1,5
0305172	8J0407151D	BRACCIO OSCILLANTE - INFERIORE - ALLUMINIO TRACK CONTROL ARM - LOWER - ALUMINIUM		
0385172	8J0407151D *	BRACCIO OSCILLANTE - INFERIORE - ALLUMINIO - COMPLETO TRACK CONTROL ARM - LOWER - ALUMINIUM - COMPLETE		
0395172	8J0407151D **	BRACCIO OSCILLANTE - INFERIORE - ALLUMINIO - COMPLETO TRACK CONTROL ARM - LOWER - ALUMINIUM - COMPLETE		
0485172	8J0407366	SNODO SOSPENSIONE - INFERIORE BALL JOINT - LOWER		
0495172	8J0407365	SNODO SOSPENSIONE - INFERIORE BALL JOINT - LOWER		
0504283	1K0411315J	STABILIZZATORE STABILIZER LINK		
0602681	8J0423810	SNODO ASSIALE AXIAL JOINT		RHT M16x1,5
1211426	1K0423831A	CUFFIA STERZO STEERING GAITER		
1215716	1K0407182	SILENTBLOCK CENTRALE CENTRAL BUSHING		
1216029	8J0199231	SILENTBLOCK ESTREMO - ALLUMINIO OUTER BUSHING - ALUMINIUM		
1216047	8J0199231 *	SILENTBLOCK BUSHING		

TT

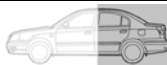
DESTRO
RIGHT



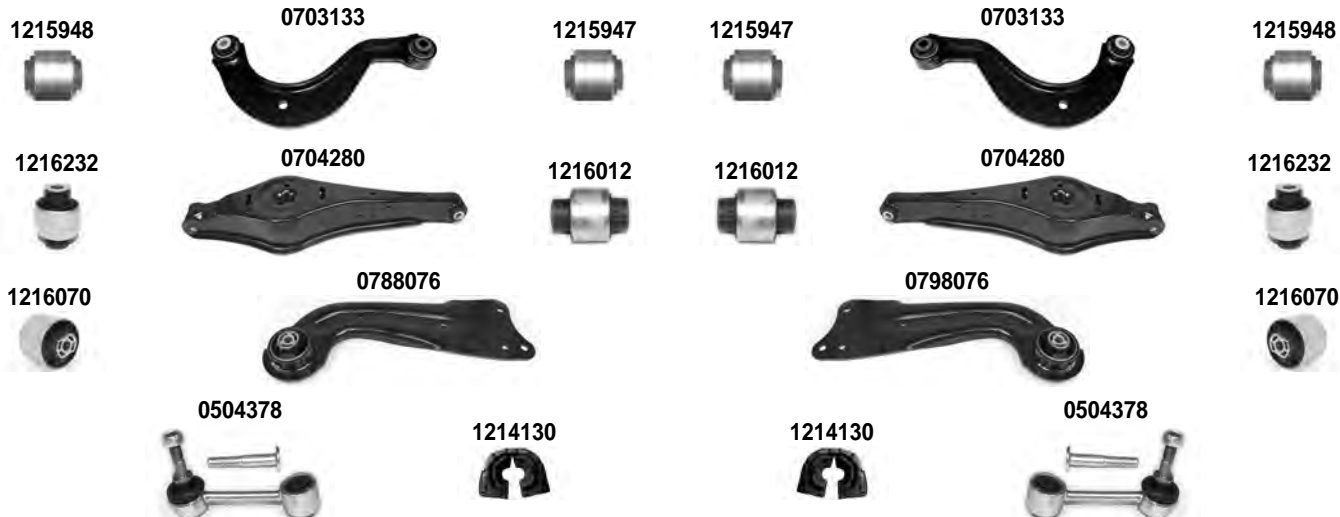
SINISTRO
LEFT

TT TT ROADSTER	8J3 8J9	10/2006 > 2014 02/2007 > 2014
-------------------	------------	----------------------------------

Asse Posteriore



Rear Axle



OCAP	O.E.			
0504378	1K0505465K	STABILIZZATORE STABILIZER LINK		
0703133	1K0505323N	BRACCIO SOSPENSIONE SUSPENSION ARM		
0704280	1K0505311AB	BRACCIO SOSPENSIONE SUSPENSION ARM		
0788076	1K0505224K	BRACCIO SOSPENSIONE SUSPENSION ARM		
0798076	1K0505223K	BRACCIO SOSPENSIONE SUSPENSION ARM		
1214130	1K0511327AE	SILENTBLOCK BARRA STABILIZZATRICE STABILIZING BAR BUSHING		DIAM. 18,5 mm.
1215947	1K0505279A	SILENTBLOCK - INTERNO BUSHING - INNER		DIAM. 12 mm.
1215948	1K0505203A	SILENTBLOCK - ESTERNO BUSHING - OUTER		DIAM. 14 mm.
1216012	1K0505311AB *	SILENTBLOCK BUSHING		
1216070	1K0505541C	SILENTBLOCK BUSHING		
1216232	1K0505553A	SILENTBLOCK BUSHING		

DESTRO
RIGHT



SINISTRO
LEFT

V8

1989 >

Asse Anteriore



Front Axle

0283003



1211185



0293003



0902430



0383007



0393007



1215110



1215108



1215108



1215110



Asse Posteriore



Rear Axle

0182007



0582007



0592007



0192007



1) SERVOSTERZO - POWER STEERING - CH. 44M002674 > 2) MOD. QUATTRO

OCAP	O.E.		i	
0182007	-	TESTA BARRA SOSPENSIONE REAR SUSPENSION TIE ROD END	2)	
0192007	-	TESTA BARRA SOSPENSIONE REAR SUSPENSION TIE ROD END	2)	
0283003	443419812D	TESTA STERZO TIE ROD END		RHT M16x1,5
0293003	443419811D	TESTA STERZO TIE ROD END		RHT M16x1,5
0383007	441407152C	BRACCIO OSCILLANTE TRACK CONTROL ARM - POWER STEERING	1)	DIAM. 19 mm.
0393007	441407151C	BRACCIO OSCILLANTE TRACK CONTROL ARM - POWER STEERING	1)	DIAM. 19 mm.
0582007	443505352P	BARRA SOSPENSIONE SUSPENSION TIE ROD	2)	
0592007	443505351P	BARRA SOSPENSIONE SUSPENSION TIE ROD	2)	
0902430	-	KIT CUFFIE STERZO STEERING GAITER KIT		
1211185	431419831	CUFFIA STERZO STEERING GAITER		
1215108	431407183A	SILENTBLOCK ESTREMO OUTER BUSHING		
1215110	431407181F	SILENTBLOCK CENTRALE CENTRAL BUSHING		

DESTRO
RIGHT



SINISTRO
LEFT

50	50	> 1982
----	----	--------

Asse Anteriore



Front Axle

0580530



0590530



0190532



0580531



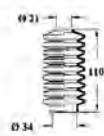
1211083



1211225



1211084



1211225



i 1) L H D 3) > 08/1979	2) R H D 4) 09/1979 >
-----------------------------------	--------------------------

OCAP	O.E.		i	
0190532	861419826A	TESTA STERZO TIE ROD END		RHT M 14x1,5
0580530	861419802A	BARRA STERZO TIE ROD		
0580531	862419802	BARRA STERZO TIE ROD	2)	
0590530	861419801D	BARRA STERZO TIE ROD	1)	
1211083	861419831A	CUFFIA STERZO STEERING GAITER	3)	
1211084	861419831B	CUFFIA STERZO STEERING GAITER	4)	
1211225	861419832	CUFFIA STERZO STEERING GAITER	3)	

DESTRO
RIGHT

 SINISTRO
LEFT

50

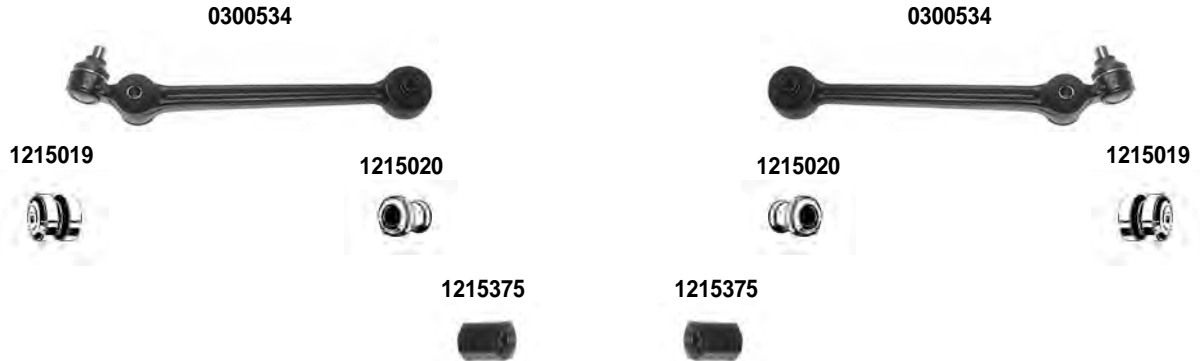
50

> 1982

Asse Anteriore



Front Axle


i 5) 10/1978 >

OCAP	O.E.		i	
0300534	861407151B	BRACCIO OSCILLANTE TRACK CONTROLARM	5)	
1215019	-	SILENTBLOCK CENTRALE CENTRAL BUSHING		
1215020	-	SILENTBLOCK ESTREMO OUTER BUSHING		
1215375	867411313	BOCCOLA BARRA STABILIZZATRICE STABILIZING BAR BUSHING		DIAM. 16,5 mm.

60 - 75 - 80 - S90

DESTRO
RIGHT



SINISTRO
LEFT

60 - 75 - 80 - S90

60-75-80

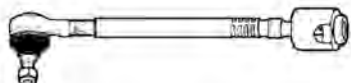
1965 > 1972

Asse Anteriore

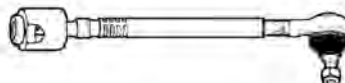


Front Axle

0500535



0500535



0600536



0600536



0400538



0400538



OCAP	O.E.			
0400538	68420200700	SNODO SOSPENSIONE - INFERIORE SUSPENSION JOINT - LOWER		
0500535	68421606100	BARRA STERZO TIE ROD		
0600536	-	SNODO ASSIALE AXIAL JOINT		RHT M14x1,5

DESTRO
RIGHT



SINISTRO
LEFT

80 - FOX (USA)

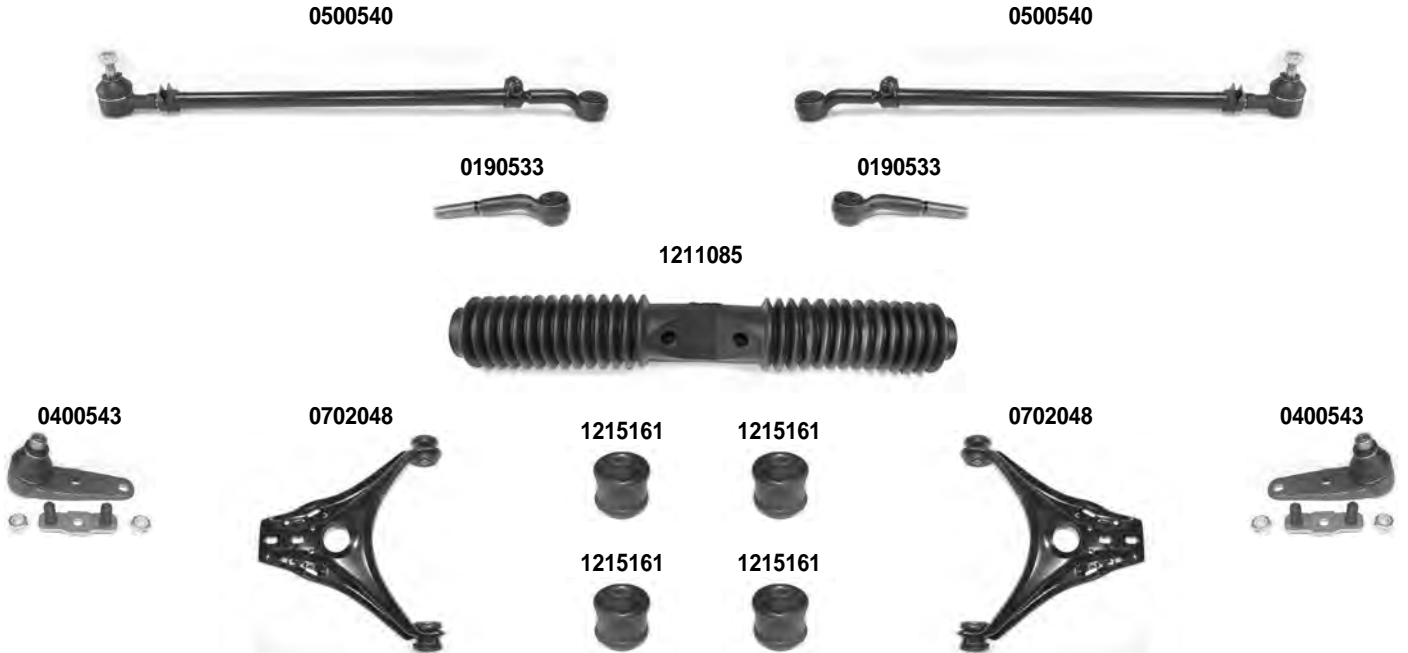
80

> 1978

Asse Anteriore



Front Axle



OCAP	O.E.		
0190533	321419805	TESTA STERZO TIE ROD END	RHT M 14x1,5
0400543	823407365C	SNODO SOSPENSIONE SUSPENSION JOINT	DIAM. 15 mm.
0500540	823419801F	BARRA STERZO TIE ROD	
0702048	823407147	BRACCIO OSCILLANTE TRACK CONTROL ARM	
1211085	823419831	CUFFIA STERZO STEERING GAITER	
1215161	823407181	SILENTBLOCK BUSHING	

DESTRO
RIGHT



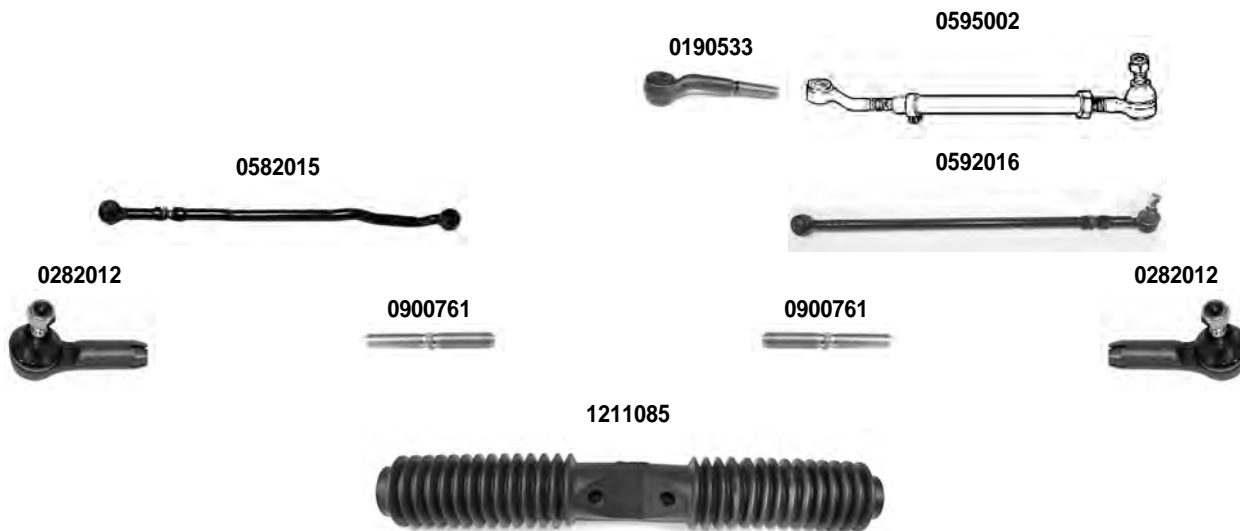
SINISTRO
LEFT

80 - 90	80	1978 > 1981
---------	----	-------------

Asse Anteriore



Front Axle



i 1) > CH. 81-A0-173-588	2) CH. 81-A-173-589 >
---------------------------------	-----------------------

OCAP	O.E.		i	
0190533	321419805	TESTA STERZO TIE ROD END		LHT M14x1,5
0282012	811419812A	TESTA STERZO TIE ROD END		RHT M 14x1,5
0582015	811419802J	BARRA STERZO TIE ROD	2)	
0592016	811419801E	BARRA STERZO TIE ROD	2)	
0595002	811419801B	BARRA STERZO TIE ROD	1)	
0900761	-	GIUNTO COLLEGAMENTO ADJUSTMENT BOLT		
1211085	823419831	CUFFIA STERZO STEERING GAITER		

DESTRO
RIGHT

 SINISTRO
LEFT

80 - 90

80

1978 > 1981

Asse Anteriore



Front Axle

0400544



0700463



0400544-K



0400544-K

0700463



0400544



1215160



1215160



1215160



1215160



1214065



1215387



3) > CH. 81-D-077973

4) CH. 81-F-150000 > CH. 8A-L-038757

OCAP	O.E.			
0400544	823407365E	SNODO SOSPENSIONE SUSPENSION JOINT		DIAM. 17 mm.
0700463	893407147G	BRACCIO OSCILLANTE TRACK CONTROL ARM		
1214065	823411327B	SILENTBLOCK BARRA STABILIZZATRICE STABILIZING BAR BUSHING	3)	DIAM. 19 mm.
1215160	811407181A	SILENTBLOCK BUSHING		
1215387	811411327A	SILENTBLOCK BARRA STABILIZZATRICE STABILIZING BAR BUSHING	4)	DIAM. 20 mm.
0400544-K	823407365E *	KIT SNODO SOSPENSIONE SUSPENSION JOINT KIT		DIAM. 17 mm.

DESTRO
RIGHT



SINISTRO
LEFT

80 - 80 QUATTRO - 4000 USA 90 - 90 QUATTRO COUPE'	80 90	1982 > 1986 1984 > 1986 1980 > 1988
---	----------	---

Asse Anteriore



Front Axle



i	1) PER TUTTI I MODELLI - FOR ALL MODELS - MOD. 90 > CH. 81G160000	2) L H D
	4) STERZO MANUALE - MANUAL STEERING - MOD. COUPE' - 90 T.D. 5 CILINDRI - CILINDRES 2.0 L	5) STERZO MANUALE - ESCLUSO MOD. QUATTRO - MANUAL STEERING - EXCEPT MOD. QUATTRO

OCAP	O.E.		i	
0282012	811419812A	TESTA STERZO TIE ROD END		RHT M14x1,5
0400544	823407365E	SNODO SOSPENSIONE SUSPENSION JOINT		DIAM. 17 mm.
0402016	853407365	SNODO SOSPENSIONE SUSPENSION JOINT	4)	DIAM. 17 mm.
0582015	811419802J	BARRA STERZO TIE ROD	1) 2)	
0592016	811419801E	BARRA STERZO TIE ROD	2)	
0700463	893407147G	BRACCIO OSCILLANTE TRACK CONTROL ARM	5)	
0900761	-	GIUNTO COLLEGAMENTO ADJUSTMENT BOLT		
0902425	-	KIT CUFFIE STERZO STEERING GAITER KIT		
1211086	811419831B	CUFFIA STERZO STEERING GAITER		
1215160	811407181A	SILENTBLOCK BUSHING		
0400544-K	823407365E *	KIT SNODO SOSPENSIONE SUSPENSION JOINT KIT		DIAM. 17 mm.

DESTRO
RIGHT

 SINISTRO
LEFT

 80 - 80 QUATTRO - 4000 USA
90 - 90 QUATTRO
COUPE'

 80
90

 1982 > 1986
1984 > 1986
1980 > 1988

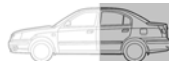
Asse Anteriore



Front Axle



Asse Posteriore



Rear Axle



i 6) SERVOSTERZO - POWER STEERING - COUPE' CH. 85D094984 > 8) > 81-D-077973 10) MOD. QUATTRO	7) MOD. SERVOSTERZO - 5 CILINDRI - TURBODIESEL - POWER STEERING - 5 CILINDRES - TURBODIESEL MODELS 9) CH. 81-F-150000 > CH. 8A-L-038757
--	--

OCAP	O.E.		i	
0402068	857505365	SNODO SOSPENSIONE BALL JOINT	10)	DIAM. 16 mm.
0482016	855407366B	SNODO SOSPENSIONE SUSPENSION JOINT	6)	DIAM. 17 mm.
0492016	855407365B	SNODO SOSPENSIONE SUSPENSION JOINT	6)	DIAM. 17 mm.
0502092	857501499C	BARRA SOSPENSIONE CROSS ROD	10)	
0782055	893407148C	BRACCIO OSCILLANTE TRACK CONTROL ARM	7)	
0792055	893407147C	BRACCIO OSCILLANTE TRACK CONTROL ARM	7)	
1214065	823411327B	SILENTBLOCK BARRA STABILIZZATRICE STABILIZING BAR BUSHING	8)	DIAM. 19 mm
1215162	857407181	SILENTBLOCK BUSHING		
1215387	811411327A	SILENTBLOCK BARRA STABILIZZATRICE STABILIZING BAR BUSHING	9)	DIAM. 20 mm.

80 - 90 - 4000 (USA)

DESTRO
RIGHT



SINISTRO
LEFT

80 - 90 - 4000 (USA)

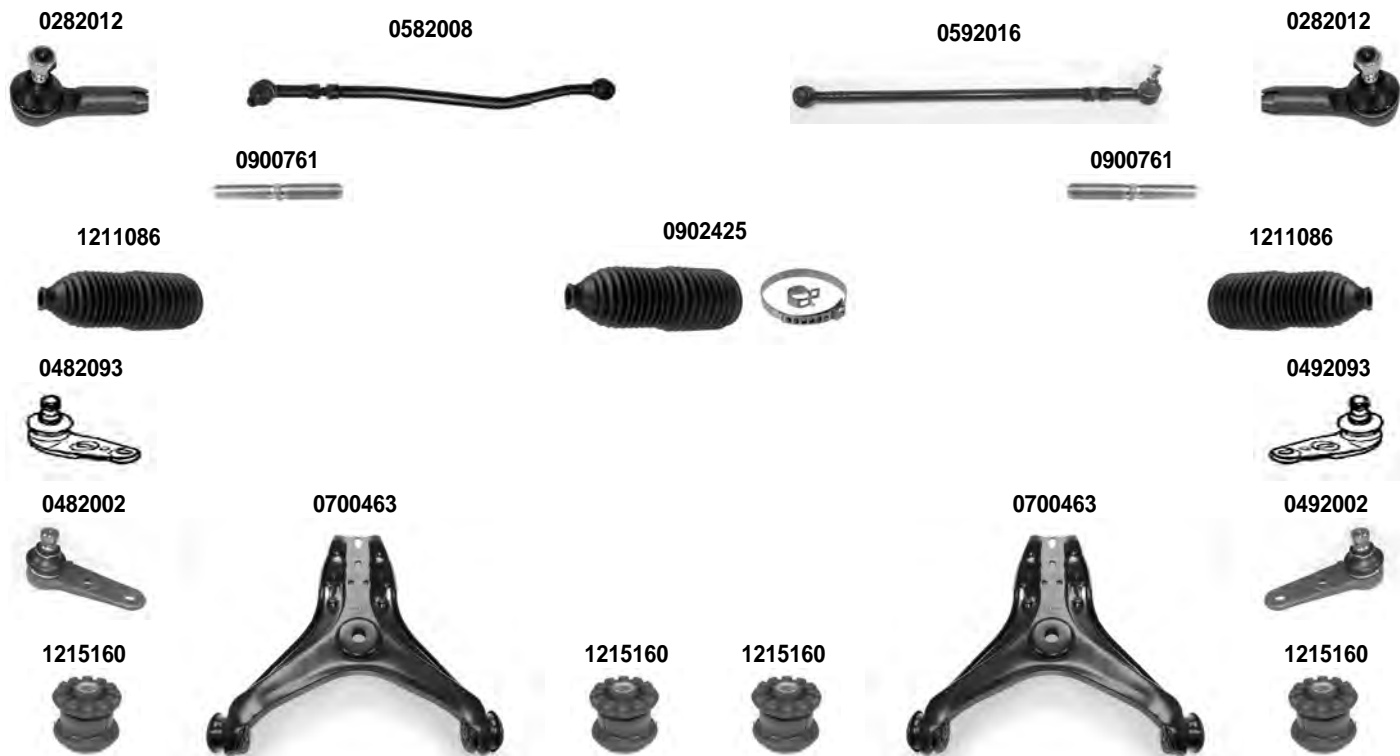
80 - 90

1986 > 1992

Asse Anteriore



Front Axle



<p>i 1) L H D 3) SERVOSTERZO - POWER STEERING 5) ECCETTO MODELLI - EXCEPT MODELS: 90 - 2.2-2.3 - CH. 89-J-373 599 > -</p>	<p>2) STERZO MANUALE - MANUAL STEERING 4) ECCETTO MODELLI - EXCEPT MODELS: 90 - 2.2-2.3 - > CH. 89-J-373 598 6) ECCETTO MODELLI - EXCEPT MODELS: QUATTRO - 90 - 2.2-2.3</p>
---	--

OCAP	O.E.		i	
0282012	811419812A	TESTA STERZO TIE ROD END		RHT M14x1,5
0482002	893407366A	SNODO SOSPENSIONE BALL JOINT	2) 5)	DIAM. 19 mm.
0482093	855407366	SNODO SOSPENSIONE BALL JOINT	2) 4)	DIAM. 17 mm.
0492002	893407365A	SNODO SOSPENSIONE BALL JOINT	2) 5)	DIAM. 19 mm.
0492093	855407365	SNODO SOSPENSIONE BALL JOINT	2) 4)	DIAM. 17 mm.
0582008	893419802	BARRA STERZO TIE ROD	1)	
0592016	811419801E	BARRA STERZO TIE ROD	1)	
0700463	893407147G	BRACCIO OSCILLANTE TRACK CONTROL ARM	2) 6)	
0900761	-	GIUNTO COLLEGAMENTO ADJUSTMENT BOLT		
0902425	-	KIT CUFFIE STERZO STEERING GAITER KIT		
1211086	811419831B	CUFFIA STERZO STEERING GAITER		
1215160	811407181A	SILENTBLOCK BUSHING		

DESTRO
RIGHT

 SINISTRO
LEFT

80 - 90 - 4000 (USA)

80 - 90

1986 > 1992

Asse Anteriore



Front Axle



i	3) SERVOSTERZO - POWER STEERING	7) > 1990 - ECCEPPO MODELLI - EXCEPT MODELS: 90 - 2.2-2.3
	8) 1990 > - ECCEPPO MODELLI - EXCEPT MODELS: 90 - 2.2-2.3	9) > 1992 - ECCEPPO MODELLI - EXCEPT MODELS: 90 - 2.2-2.3
	10) SOLO PER - ONLY FOR: MOD. 90 - 2.2 - 2.3	

OCAP	O.E.		i	
0482004	893407366F	SNODO SOSPENSIONE <i>BALL JOINT</i>	3) 8)	DIAM. 19 mm.
0482016	855407366B	SNODO SOSPENSIONE <i>BALL JOINT</i>	3) 7)	DIAM. 17 mm.
0482061	893407366E	SNODO SOSPENSIONE <i>BALL JOINT</i>	10)	DIAM. 19 mm.
0492004	893407365F	SNODO SOSPENSIONE <i>BALL JOINT</i>	3) 8)	DIAM. 19 mm.
0492016	855407365B	SNODO SOSPENSIONE <i>BALL JOINT</i>	3) 7)	DIAM. 17 mm.
0492061	893407365E	SNODO SOSPENSIONE <i>BALL JOINT</i>	10)	DIAM. 19 mm.
0782055	893407148C	BRACCIO OSCILLANTE <i>TRACK CONTROL ARM</i>	3) 9)	
0792055	893407147C	BRACCIO OSCILLANTE <i>TRACK CONTROL ARM</i>	3) 9)	
1215162	857407181	SILENTBLOCK <i>BUSHING</i>		

80 - 90 - 4000 (USA)

DESTRO
RIGHT



SINISTRO
LEFT

80 - 90 - 4000 (USA)

80 - 90

1986 > 1992

Asse Anteriore



Front Axle

0902069

0182069



0182069



1214065

1215387

1214137



i 11) > 81-D-077973	12) CH. 81-F-150000 > CH. 8A-L-038757
----------------------------	---------------------------------------

OCAP	O.E.		i	
0182069	857407479A	STABILIZZATORE COMPLETO STABILIZER LINK COMPLETE		
0902069	-	KIT STABILIZZATORE STABILIZER LINK KIT		
1214065	823411327B	SILENTBLOCK BARRA STABILIZZATRICE STABILIZING BAR BUSHING	11)	DIAM. 19 mm.
1214137	893411327E	SILENTBLOCK BARRA STABILIZZATRICE STABILIZING BAR BUSHING		DIAM. 23,5mm
1215387	811411327A	SILENTBLOCK BARRA STABILIZZATRICE STABILIZING BAR BUSHING	12)	DIAM. 20 mm

DESTRO
RIGHT

 SINISTRO
LEFT

80 QUATTRO - 90 QUATTRO

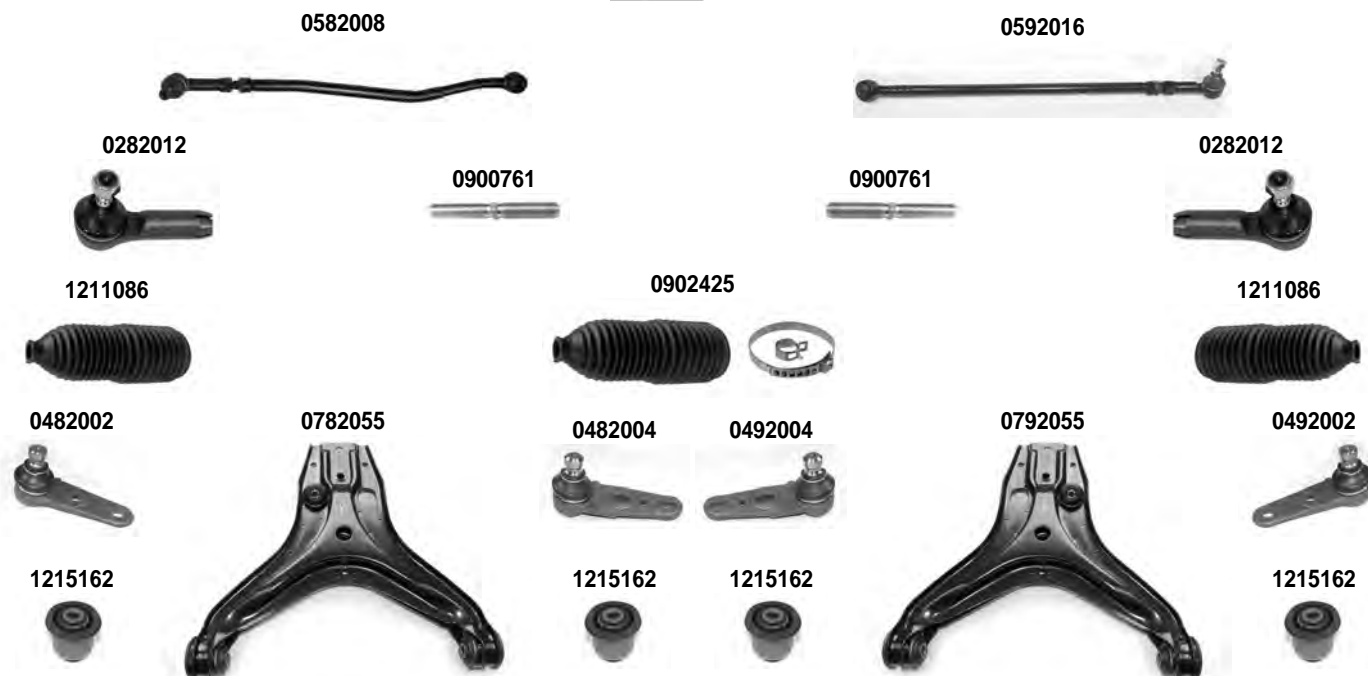
80 - 90

1986 > 1992

Asse Anteriore



Front Axle



i	1) L H D	2) STERZO MANUALE - MANUAL STEERING
	3) SERVOSTERZO - ECCEPPO 2.3 L - POWER STEERING - EXCEPT 2.3 L	4) MOD. SERVOSTERZO - 5 CILINDRI - TURBODIESEL - MOD. POWER STEERING - 5 CILINDRES - TURBO DIESEL

OCAP	O.E.		i	
0282012	811419812A	TESTA STERZO TIE ROD END		RHT M14x1,5
0482002	893407366A	SNODO SOSPENSIONE SUSPENSION JOINT	2)	DIAM. 19 mm.
0482004	893407366F	SNODO SOSPENSIONE SUSPENSION JOINT	3)	
0492002	893407365A	SNODO SOSPENSIONE SUSPENSION JOINT	2)	DIAM. 19 mm.
0492004	893407365F	SNODO SOSPENSIONE SUSPENSION JOINT	3)	
0582008	893419802	BARRA STERZO TIE ROD	1)	
0592016	811419801E	BARRA STERZO TIE ROD	1)	
0782055	893407148C	BRACCIO OSCILLANTE TRACK CONTROL ARM	4)	
0792055	893407147C	BRACCIO OSCILLANTE TRACK CONTROL ARM	4)	
0900761	-	GIUNTO COLLEGAMENTO ADJUSTMENT BOLT		
0902425	-	KIT CUFFIE STERZO STEERING GAITER KIT		
1211086	811419831B	CUFFIA STERZO STEERING GAITER		
1215162	857407181	SILENTBLOCK BUSHING		

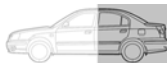
DESTRO
RIGHT



SINISTRO
LEFT

80 QUATTRO - 90 QUATTRO	80 - 90	1986 > 1992
-------------------------	---------	-------------

Asse Posteriore



Rear Axle

0480451



0402068



0402068



0490451



0502096



0502096



i 5) > CH. 89-J-351 000	6) CH. 89-J-351 001 >
--------------------------------	-----------------------

OCAP	O.E.		i	
0402068	857505365	SNODO SOSPENSIONE SUSPENSION JOINT	5)	DIAM. 16 mm.
0480451	893505366C	SNODO SOSPENSIONE SUSPENSION JOINT	6)	
0490451	893505365C	SNODO SOSPENSIONE SUSPENSION JOINT	6)	
0502096	895505389	STABILIZZATORE STABILIZER LINK		

DESTRO
RIGHT

 SINISTRO
LEFT

**80/AVANT/QUATTRO
CABRIOLET**

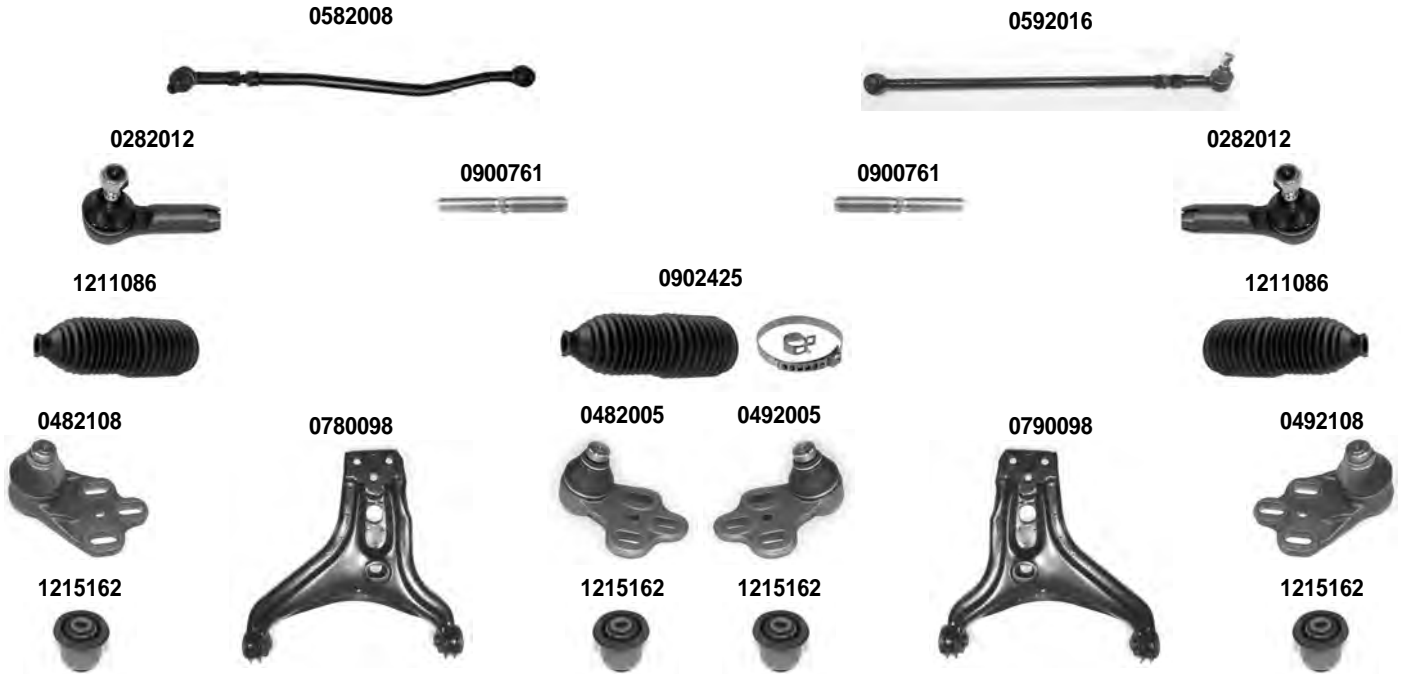
80

 1992 >
1991 >

Asse Anteriore



Front Axle



i 1) L H D 3) TUTTI I MODELLI - ALL MODELS - MOD. CABRIOLET CH. 8G-N-001 534 >	2) MOD. CABRIOLET - > CH. 8G-N-001 533
---	--

OCAP	O.E.			
0282012	811419812A	TESTA STERZO TIE ROD END		
0482005	8A0407366	SNODO SOSPENSIONE SUSPENSION JOINT	3)	DIAM. 19 mm.
0482108	895407366A	SNODO SOSPENSIONE SUSPENSION JOINT	2)	
0492005	8A0407365	SNODO SOSPENSIONE SUSPENSION JOINT	3)	DIAM. 19 mm.
0492108	895407365A	SNODO SOSPENSIONE SUSPENSION JOINT	2)	
0582008	893419802	BARRA STERZO TIE ROD	1)	
0592016	811419801E	BARRA STERZO TIE ROD	1)	
0780098	895407148A	BRACCIO OSCILLANTE TRACK CONTROL ARM		
0790098	895407147A	BRACCIO OSCILLANTE TRACK CONTROL ARM		
0900761	-	GIUNTO COLLEGAMENTO ADJUSTMENT BOLT		
0902425	-	KIT CUFFIE STERZO STEERING GAITER KIT		
1211086	811419831B	CUFFIA STERZO STEERING GAITER		
1215162	857407181	SILENTBLOCK BUSHING		

DESTRO
RIGHT



SINISTRO
LEFT

80/AVANT/QUATTRO
CABRIOLET

80

1992 >
1991 >

Asse Anteriore



Front Axle

0502097



0502097



Asse Posteriore



Rear Axle

0582099



0502098



0502098



0592099



i 4) MOD. QUATTRO

OCAP	O.E.		i	
0502097	8A0407465C	STABILIZZATORE STABILIZER LINK	4)	
0502098	8A0501530C	BARRA SOSPENSIONE CROSS ROD	4)	
0582099	8A0505466C	STABILIZZATORE STABILIZER LINK	4)	
0592099	8A0505465C	STABILIZZATORE STABILIZER LINK	4)	

DESTRO
RIGHT

 SINISTRO
LEFT

 100 ALL MODEL (> CH. 41 131 612)
100 COUPE' S (> CH. 41 131 612)

 100
100

 1968 > 1974
1971 > 1974

Asse Anteriore





Front Axle

0600546

0600546

0400548

0400548


OCAP	O.E.		
0400548	803407365	SNODO SOSPENSIONE - INFERIORE SUSPENSION JOINT - LOWER	DIAM. 17 mm.
0600546	-	SNODO ASSIALE AXIAL JOINT	RHT M 14x1,5

100 (CH. 51 000 051 >)

DESTRO
RIGHT



SINISTRO
LEFT

100 (CH. 51 000 051 >)

100

1974 > 1977

Asse Anteriore



Front Axle

0180549



0600550



0600550



0180549



OCAP	O.E.			
0180549	803419811A	TESTA STERZO TIE ROD END		RHT M16x1,5
0600550	-	SNODO ASSIALE AXIAL JOINT		RHT M16x1,5

DESTRO
RIGHT

 SINISTRO
LEFT

100 - 100 AVANT - 200

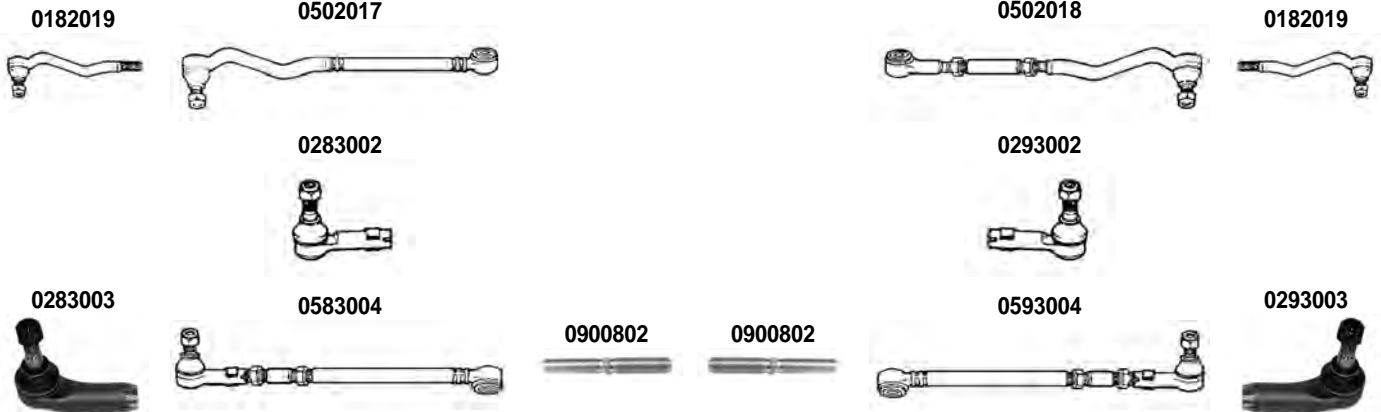
100

1977 > 1982

Asse Anteriore



Front Axle



i 1) 100 TUTTI I MODELLI - ALL MODELS - 100 AVANT > CH. 43C100000
 2) MOD. 100 AVANT - > CH. 44D068500
 3) MOD. 100 AVANT CH. 43C100001 >

OCAP	O.E.		
0182019	431419811A	TESTA STERZO TIE ROD END	1) RHT M14x1,5
0283002	443419812C	TESTA STERZO TIE ROD END	2) RHT M14x1,5
0283003	443419812D	TESTA STERZO TIE ROD END	3) RHT M16x1,5
0293002	443419811C	TESTA STERZO TIE ROD END	2) RHT M14x1,5
0293003	443419811D	TESTA STERZO TIE ROD END	3) RHT M16x1,5
0502017	431419802G	BARRA STERZO TIE ROD	1)
0502018	431419801G	BARRA STERZO TIE ROD	1)
0583004	443419802E	BARRA STERZO TIE ROD	3)
0593004	443419801E	BARRA STERZO TIE ROD	3)
0900802	-	GIUNTO COLLEGAMENTO ADJUSTMENT BOLT	3)

DESTRO
RIGHT



SINISTRO
LEFT

100 - 100 AVANT - 200	100	1977 > 1982
-----------------------	-----	-------------

Asse Anteriore



Front Axle



i 4) > CH. 43-C-007 000	5) SERVOSTERZO - POWER STEERING - CH. 43-C-022-303 >
--------------------------------	--

OCAP	O.E.		i	
030202	431407151F	BRACCIO OSCILLANTE TRACK CONTROL ARM	4)	DIAM. 18 mm.
0380301	443407152A	BRACCIO OSCILLANTE TRACK CONTROL ARM	5)	DIAM. 18 mm.
0390301	443407151A	BRACCIO OSCILLANTE TRACK CONTROL ARM	5)	DIAM. 18 mm.
1215108	431407183A	SILENTBLOCK ESTREMO OUTER BUSHING		
1215110	431407181F	SILENTBLOCK CENTRALE CENTRAL BUSHING		
1215259	-	SILENTBLOCK CENTRALE CENTRAL BUSHING		

DESTRO
RIGHT

 SINISTRO
LEFT

 100 - 100 AVANT - 200 - 5000S USA
100 QUATTRO - 200 QUATTRO

 100-200
100-200

 1983 > 1991
1985 > 1990

Asse Anteriore



Front Axle

0283002

0583004

0900802

0900802

0593004

0293002

0283003

1211185

0293003

0902430

 1) CH. 44-D-068-501 > CH. 44-M-050-000
3) CH. 44-D-068-501 >

2) > CH. 44-D-068-500

OCAP	O.E.			
0283002	443419812C	TESTA STERZO TIE ROD END	2)	RHT- M14x1,5
0283003	443419812D	TESTA STERZO TIE ROD END	3)	RHT M16x1,5
0293002	443419811C	TESTA STERZO TIE ROD END	2)	LHT - M14x1,5
0293003	443419811D	TESTA STERZO TIE ROD END	3)	RHT M16x1,5
0583004	443419802E	BARRA STERZO TIE ROD	1)	
0593004	443419801E	BARRA STERZO TIE ROD	1)	
0900802	-	GIUNTO COLLEGAMENTO ADJUSTMENT BOLT	2)	
0902430	-	KIT CUFFIA STERZO STEERING GAITER KIT		
1211185	431419831	CUFFIA STERZO STEERING GAITER		

DESTRO
RIGHT



SINISTRO
LEFT

100 - 100 AVANT - 200 - 5000S USA 100 QUATTRO - 200 QUATTRO	100-200 100-200	1983 > 1991 1985 > 1990
--	--------------------	----------------------------

Asse Anteriore



Front Axle



Asse Posteriore



Rear Axle



i 4) SERVOSTERZO - POWER STEERING - > CH. 44M002673 5) SERVOSTERZO - POWER STEERING - CH. 44M002674 >
6) MOD. QUATTRO

OCAP	O.E.		
0182007	-	TESTA BARRA SOSPENSIONE POSTERIORE TIE ROD END FOR SUSPENSION BAR	6)
0192007	-	TESTA BARRA SOSPENSIONE POSTERIORE TIE ROD END FOR SUSPENSION BAR	6)
0380301	437407152A	BRACCIO OSCILLANTE TRACK CONTROL ARM	4) DIAM. 18 mm.
0383007	441407152C	BRACCIO OSCILLANTE TRACK CONTROL ARM	5) DIAM. 19 mm.
0390301	437407151A	BRACCIO OSCILLANTE TRACK CONTROL ARM	4) DIAM. 18 mm.
0393007	441407151C	BRACCIO OSCILLANTE TRACK CONTROL ARM	5) DIAM. 19 mm.
0582007	443505352P	BARRA SOSPENSIONE SUSPENSION BAR	6)
0592007	443505351P	BARRA SOSPENSIONE SUSPENSION BAR	6)
1214121	443411327	SILENTBLOCK BARRA STABILIZZATRICE STABILIZING BAR BUSHING	DIAM. 21 mm.
1215108	431407183A	SILENTBLOCK ESTREMO OUTER BUSHING	
1215110	431407181F	SILENTBLOCK CENTRALE CENTRAL BUSHING	

DESTRO
RIGHT

 SINISTRO
LEFT

100 - 100 AVANT - 100 QUATTRO

100

1991 >

Asse Anteriore



Front Axle



i 1) > CH. 4A-P-001983	2) CH. 4A-P-001984 >
-------------------------------	----------------------

OCAP	O.E.		i	
0282066	4A0419812A	TESTA STERZO <i>TIE ROD END</i>	1)	RHT M20x1,5
0283003	443419812D	TESTA STERZO <i>TIE ROD END</i>	2)	RHT M16x1,5
0292066	4A0419811A	TESTA STERZO <i>TIE ROD END</i>	1)	RHT M20x1,5
0293003	443419811D	TESTA STERZO <i>TIE ROD END</i>	2)	RHT M16x1,5
0382064	4A0407152	BRACCIO OSCILLANTE <i>TRACK CONTROL ARM</i>		DIAM. 19 mm.
0392064	4A0407151	BRACCIO OSCILLANTE <i>TRACK CONTROL ARM</i>		DIAM. 19 mm.
0902430	-	KIT CUFFIE STERZO <i>STEERING GAITER KIT</i>		
1211185	431419831	CUFFIA STERZO <i>STEERING GAITER</i>		
1214120	4A0411327A	SILENTBLOCK BARRA STABILIZZATRICE <i>STABILIZING BAR BUSHING</i>		DIAM. 25 mm.
1214139	4A0411327F	SILENTBLOCK BARRA STABILIZZATRICE <i>STABILIZING BAR BUSHING</i>		DIAM. 24 mm.
1215156	4A0407183D	SILENTBLOCK ESTREMO <i>OUTER BUSHING</i>		
1215157	4A0407181A	SILENTBLOCK CENTRALE <i>CENTRAL BUSHING</i>		

100 - 100 AVANT - 100 QUATTRO

DESTRO
RIGHT



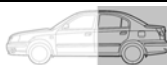
SINISTRO
LEFT

100 - 100 AVANT - 100 QUATTRO

100

1991 >

Asse Posteriore



Rear Axle

0182007



0582007



0592007



0192007



0582006



0582006



i 3) MOD. QUATTRO

OCAP	O.E.		i	
0182007	-	TESTA BARRA SOSPENSIONE TIE ROD END FOR SUSPENSION BAR	3)	
0192007	-	TESTA BARRA SOSPENSIONE TIE ROD END FOR SUSPENSION BAR	3)	
0582006	4A0404389	STABILIZZATORE STABILIZER LINK	3)	
0582007	443505352P	BARRA SOSPENSIONE SUSPENSION BAR	3)	
0592007	443505351P	BARRA SOSPENSIONE SUSPENSION BAR	3)	

DESTRO
RIGHT

 SINISTRO
LEFT

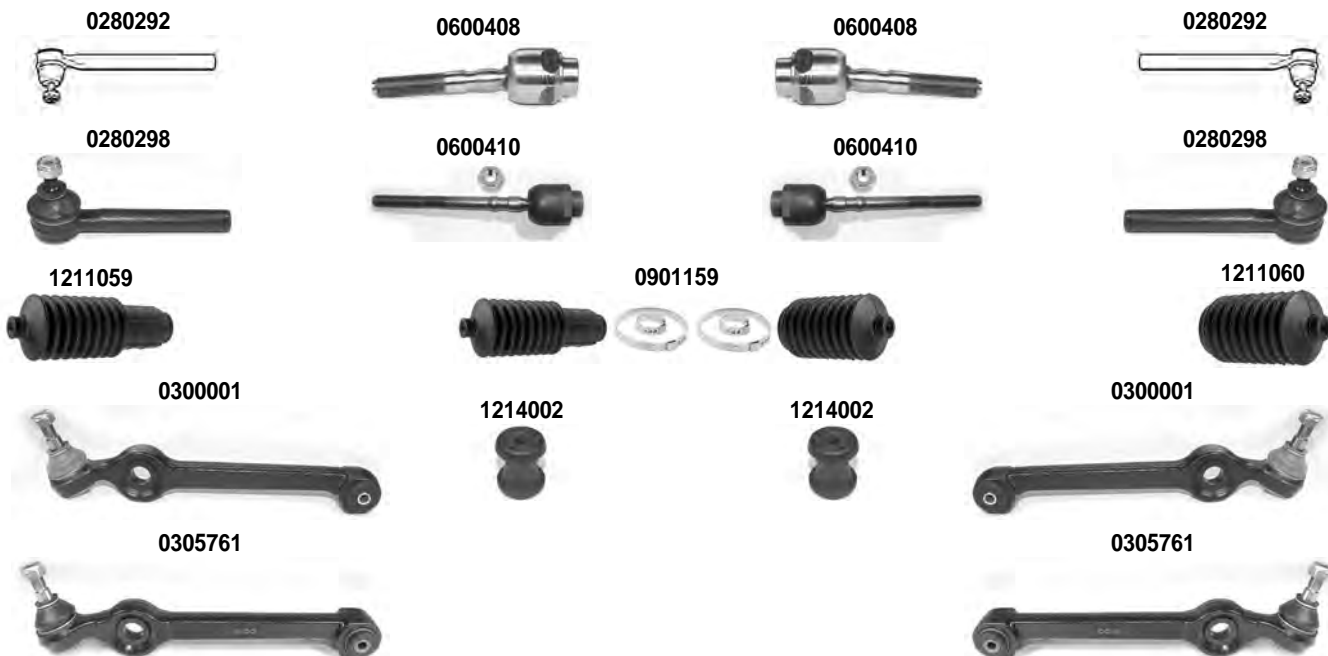
A 112

1970 >

Asse Anteriore



Front Axle



i 1) > 1983 3) VERSIONE RINFORZATA - REINFORCED VERSION	2) 1984 >
---	-----------

OCAP	O.E.		i	
0280292	4254523	TESTA STERZO TIE ROD END	1)	RHT M14x1
0280298	5983404	TESTA STERZO TIE ROD END	2)	RHT M12x1,5
0300001	4364095	BRACCIO OSCILLANTE TRACK CONTROL ARM		
0305761	4364095 *	BRACCIO OSCILLANTE TRACK CONTROL ARM	3)	
0600408	4318655	SNODO ASSIALE AXIAL JOINT	1)	RHT M14x1
0600410	5960321	SNODO ASSIALE AXIAL JOINT	2)	RHT M12x1,5
0901159	9939574	KIT CUFFIE STERZO STEERING GAITER KIT		
1211059	4371156	CUFFIA STERZO STEERING GAITER		
1211060	4371155	CUFFIA STERZO STEERING GAITER		
1214002	4292059	SILENTBLOCK BUSHING		

DESTRO
RIGHT



SINISTRO
LEFT

A 112

1970 >

Asse Anteriore



Front Axle

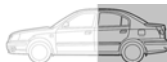
1214013



1249265



Asse Posteriore



Rear Axle

1215092



1215092



OCAP	O.E.			
1214013	4240587	BOCCOLA BARRA STABILIZZATRICE STABILIZING BAR BUSHING		DIAM. 17 mm.
1215092	4434652	SILENTBLOCK BRACCIO OSCILLANTE TRACK CONTROL ARM BUSHING		
1249265	4233064	STAFFA BARRA STABILIZZATRICE SUPERIORE BRACKET FOR STABILIZING BAR UPPER		

DESTRO
RIGHT



SINISTRO
LEFT

Y 10

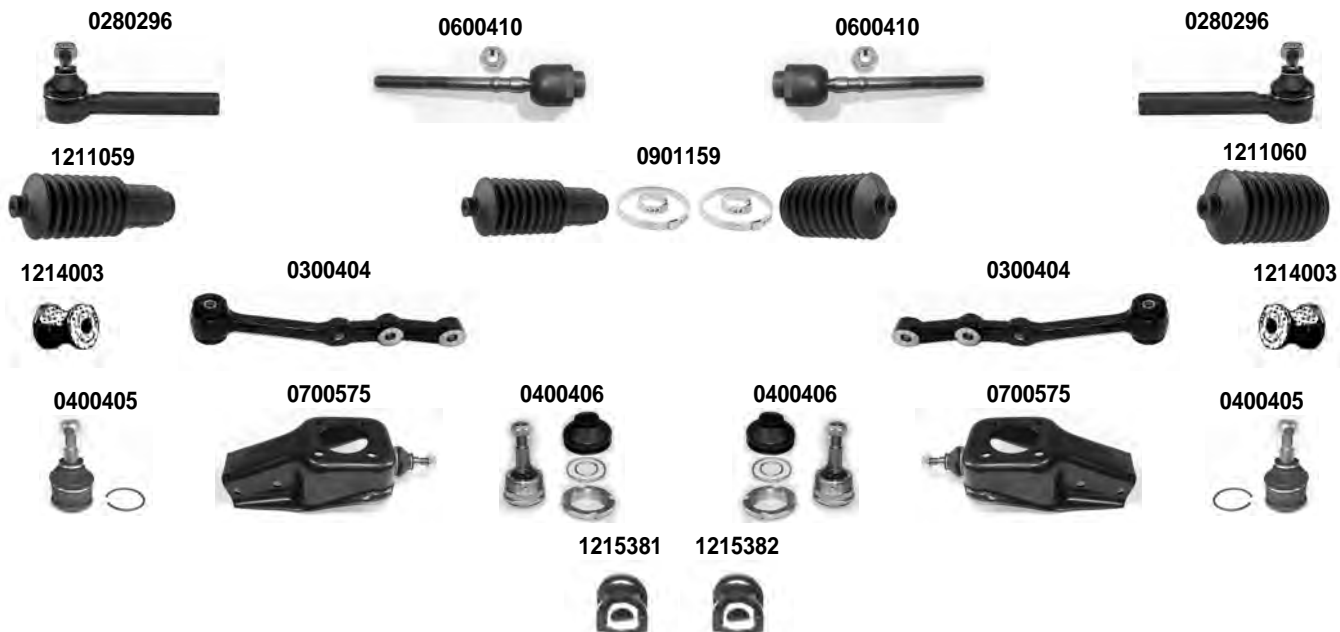
Y 10

1985 >

Asse Anteriore



Front Axle



OCAP	O.E.		
0280296	5958246	TESTA STERZO TIE ROD END	RHT M12x1,5
0300404	7601261	BRACCIO OSCILLANTE TRACK CONTROL ARM	
0400405	4402649	SNODO SOSPENSIONE SUSPENSION JOINT	
0400406	4402649 *	SNODO SOSPENSIONE MODIFICATO MODIFIED SUSPENSION JOINT	
0600410	5960321	SNODO ASSIALE AXIAL JOINT	RHT M12x1,5
0700575	7585137	BRACCIO SOSPENSIONE ARM BRACKET	
0901159	9939574	KIT CUFFIE STERZO STEERING GAITER KIT	
1211059	4371156	CUFFIA STERZO STEERING GAITER	
1211060	4371155	CUFFIA STERZO STEERING GAITER	
1214003	4288726	SILENTBLOCK BUSHING	
1215381	7592476	BOCCOLA BARRA STABILIZZATRICE STABILIZING BAR BUSHING	DIAM. 17 mm.
1215382	7548992	BOCCOLA BARRA STABILIZZATRICE STABILIZING BAR BUSHING	DIAM. 15 mm.

DESTRO
RIGHT



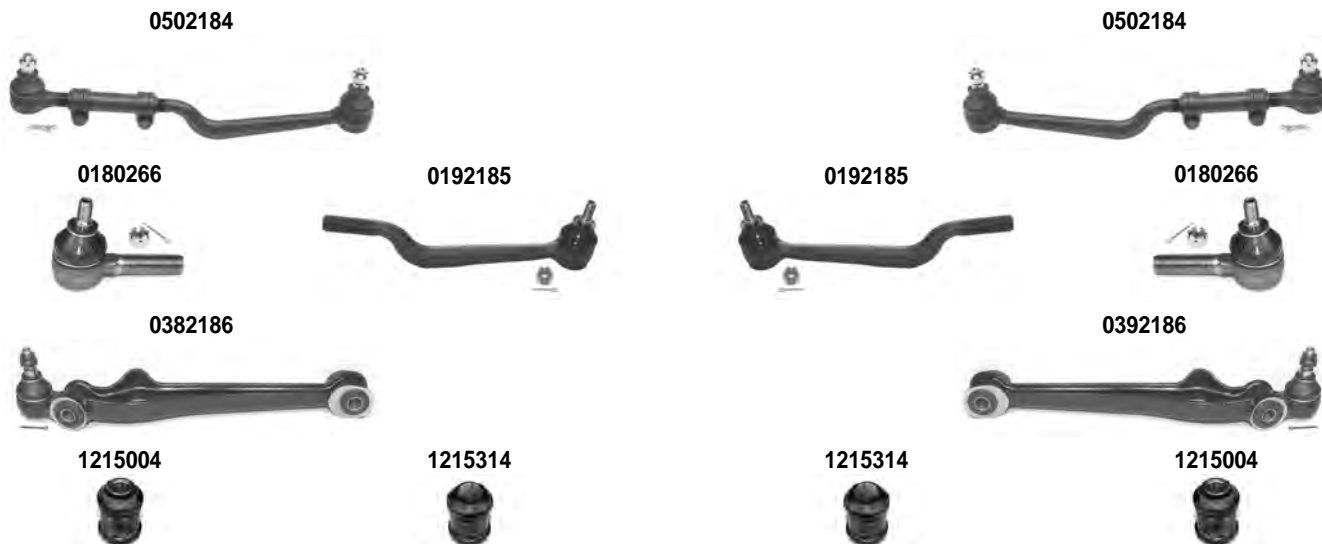
SINISTRO
LEFT

2.000 > 3.0 COUPE' 2.500 > 3.3	E 9 E 3	1969 > 1976 1968 > 1977
-----------------------------------	------------	----------------------------

Asse Anteriore



Front Axle



i 1) > 09/1973

OCAP	O.E.		i	
0180266	32211114843	TESTA STERZO - ESTERNA TI ROD END - OUTER		RHT M16x1,5
0192185	32211114845	TESTA STERZO - INTERNA TI ROD END - INNER		LHT M16x1,5
0382186	31121104388	BRACCIO OSCILLANTE TRACK CONTROL ARM	1)	
0392186	31121104387	BRACCIO OSCILLANTE TRACK CONTROL ARM	1)	
0502184	32211104015	BARRA STERZO TIE ROD		
1215004	31121112902	SILENTBLOCK CENTRALE CENTRAL BUSHING		
1215314	31121104388 *	SILENTBLOCK ESTREMO OUTER BUSHING		

DESTRO
RIGHT



SINISTRO
LEFT

1.502 > 2.002
CABRIO
TOURING

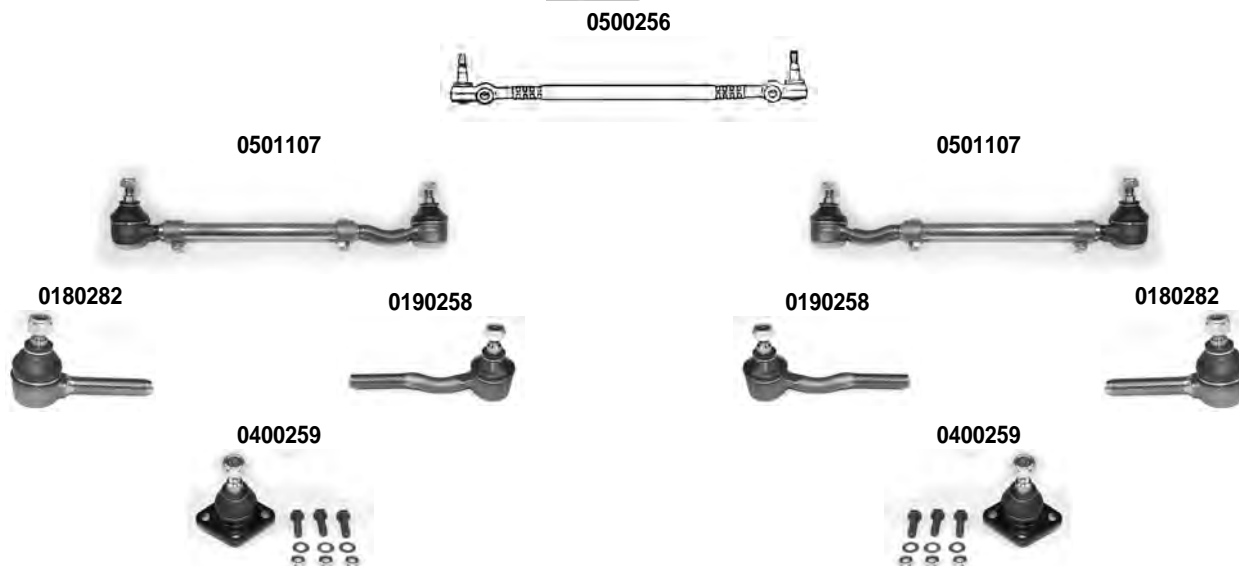
E 10
E 10
E 6

1962 > 1977
1967 > 1975
1971 > 1975

Asse Anteriore



Front Axle



OCAP	O.E.		
0180282	32211114842	TESTA STERZO TIE ROD END	RHT M14x1,5
0190258	32211114844	TESTA STERZO TIE ROD END	LHT M14x1,5
0400259	31131103834	SNODO SOSPENSIONE - INFERIORE SUSPENSION JOINT - LOWER	
0500256	32211103077	BARRA STERZO TIE ROD	
0501107	32211103076	BARRA STERZO TIE ROD	

116i > 120i

DESTRO
RIGHT



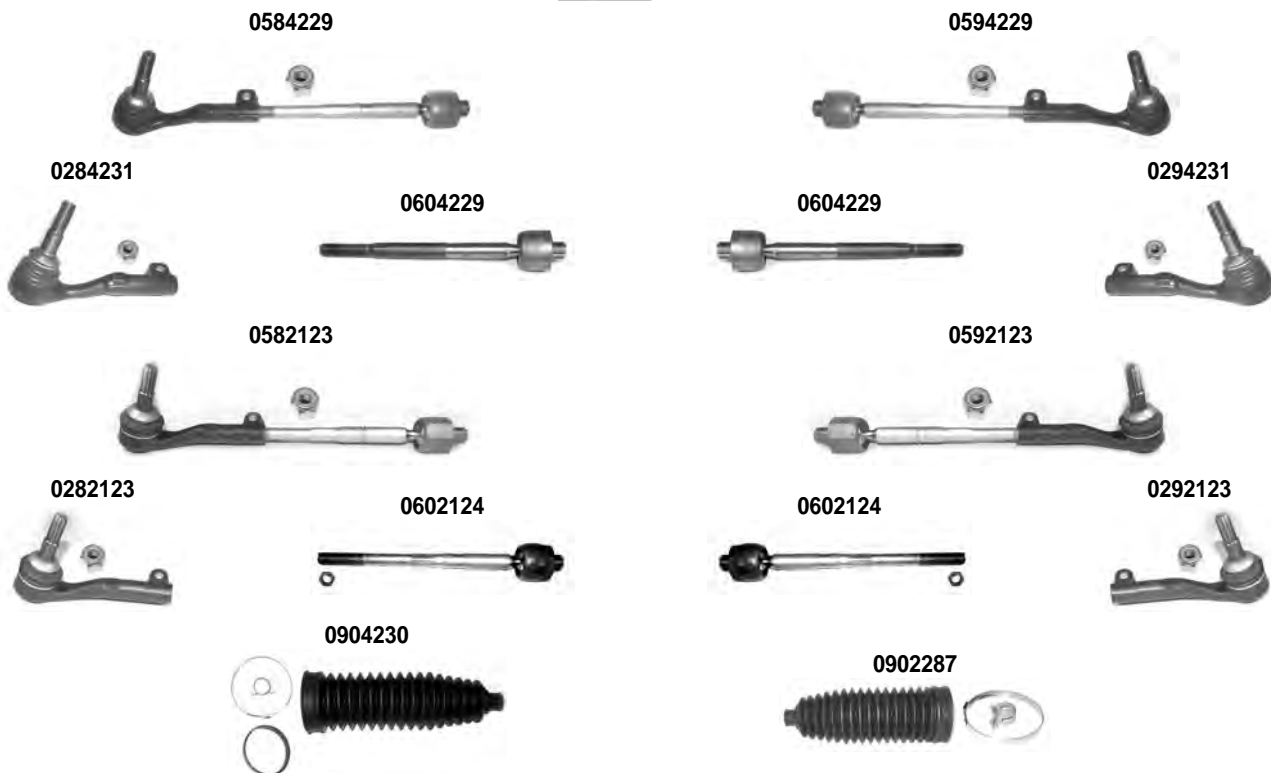
SINISTRO
LEFT

116 i > 120 i 118 i > 123 d 118 i > 123 d	E 87 E 82 E 88	2003 > 2007 > 2008 >
---	----------------------	----------------------------

Asse Anteriore



Front Axle



i 1) TRW		2) ZF		
OCAP	O.E.		i	
0282123	32106767782	TESTA STERZO TIE ROD END	2)	RHT M14x1,5
0284231	32106765090	TESTA STERZO TIE ROD END	1)	RHT M14x1,5
0292123	32106767781	TESTA STERZO TIE ROD END	2)	RHT M14x1,5
0294231	32106765089	TESTA STERZO TIE ROD END	1)	RHT M14x1,5
0582123	32106765236	BARRA STERZO TIE ROD	2)	
0584229	32216762244	BARRA STERZO TIE ROD	1)	
0592123	32106765235	BARRA STERZO TIE ROD	2)	
0594229	32216762243	BARRA STERZO TIE ROD	1)	
0602124	32106765235 *	SNODO ASSIALE AXIAL JOINT	2)	RHT M14x1,5
0604229	-	SNODO ASSIALE AXIAL JOINT	1)	RHT M14x1,5
0902287	32106765234	KIT CUFFIA STERZO STEERING GAITER KIT	2)	
0904230	32106765079	KIT CUFFIA STERZO STEERING GAITER KIT	1)	

DESTRO
RIGHT



SINISTRO
LEFT

116 i > 120 i 118 i > 123 d 118 i > 123 d	E 87 E 82 E 88	2003 > 2007 > 2008 >
---	----------------------	----------------------------

Asse Anteriore



Front Axle



i 3) N. 2 SILENTBLOCK - N. 2 BUSHING

OCAP	O.E.		
0384232	31126769798	BRACCIO OSCILLANTE - ALLUMINIO TRACK CONTROL ARM - ALUMINIUM	
0384235	31126770850	BRACCIO OSCILLANTE - ALLUMINIO TRACK CONTROL ARM - ALUMINIUM	
0394232	31126769797	BRACCIO OSCILLANTE - ALLUMINIO TRACK CONTROL ARM - ALUMINIUM	
0394235	31126770849	BRACCIO OSCILLANTE - ALLUMINIO TRACK CONTROL ARM - ALUMINIUM	
0584236	31356765934	STABILIZZATORE - ALLUMINIO STABILIZER LINK - ALUMINIUM	
0594236	31356765933	STABILIZZATORE - ALLUMINIO STABILIZER LINK - ALUMINIUM	
0904232	31120393540	KIT KIT	3)
1214156	31356765574	SILENTBLOCK BARRA STABILIZZATRICE STABILIZING BAR BUSHING	DIAM. 26.5 mm.
1215700	31126770850 *	SILENTBLOCK BUSHING	
1215789	31126763719	SILENTBLOCK BUSHING	

DESTRO
RIGHT



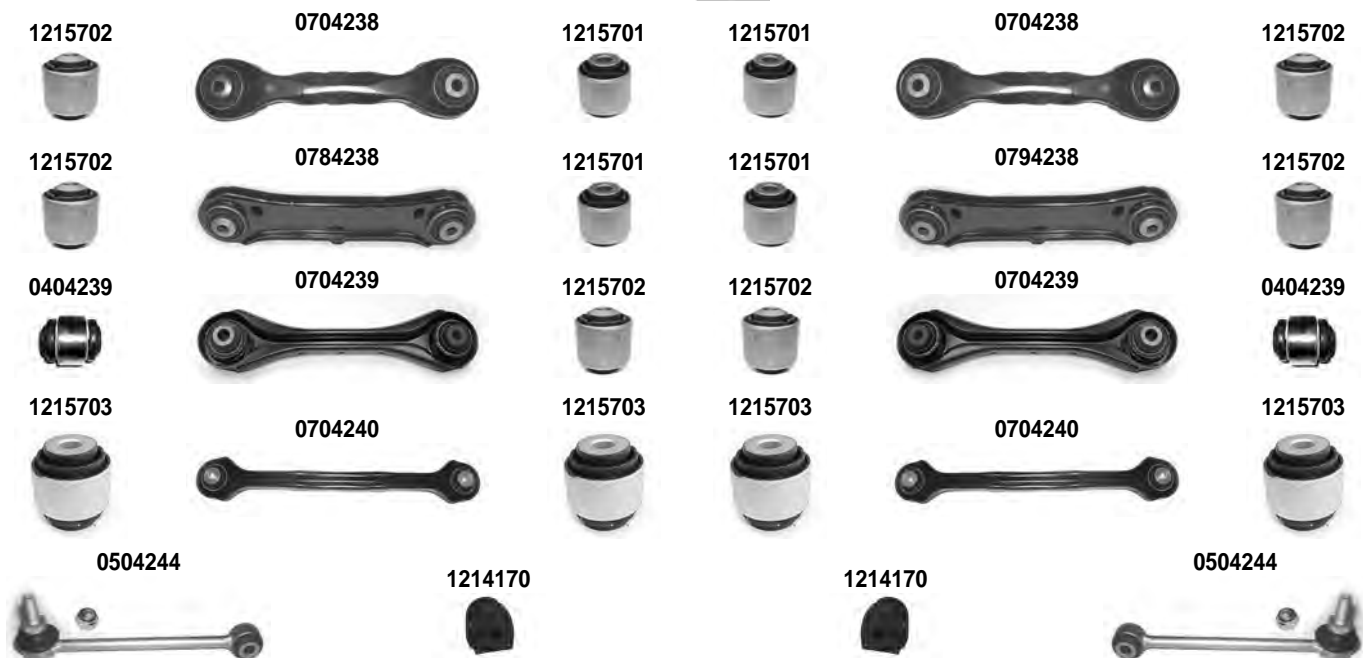
SINISTRO
LEFT

116 i > 120 i 118 i > 123 d 118 i > 123 d	E 87 E 82 E 88	2003 > 2007 > 2008 >
---	----------------------	----------------------------

Asse Posteriore



Rear Axle



i 4) > 11/2009	5) 12/2009 >
-----------------------	--------------

OCAP	O.E.		i	
0404239	-	SILENTBLOCK BRACCIO SOSPENSIONE CONTROL ARM BUSHING		
0504244	33556764428	STABILIZZATORE STABILIZER LINK		
0704238	33326765425	BRACCIO SOSPENSIONE - ANTERIORE SUSPENSION CONTROL ARM - FRONT	4)	
0704239	33326763473	BRACCIO SOSPENSIONE - CENTRALE SUSPENSION CONTROL ARM - CENTRAL		
0704240	33326763471	BRACCIO SOSPENSIONE - POSTERIORE SUSPENSION CONTROL ARM - REAR		
0784238	33326782238	BRACCIO SOSPENSIONE - ANTERIORE SUSPENSION CONTROL ARM - FRONT	5)	
0794238	33326782237	BRACCIO SOSPENSIONE - ANTERIORE SUSPENSION CONTROL ARM - FRONT	5)	
1214170	33536765584	SILENTBLOCK BARRA STABILIZZATRICE STABILIZING BAR BUSHING		DIAM. 11 mm.
1215701	33326765425*	SILENTBLOCK BUSHING		
1215702	33326765425**	SILENTBLOCK BUSHING		
1215703	-	SILENTBLOCK BUSHING		

DESTRO
RIGHT



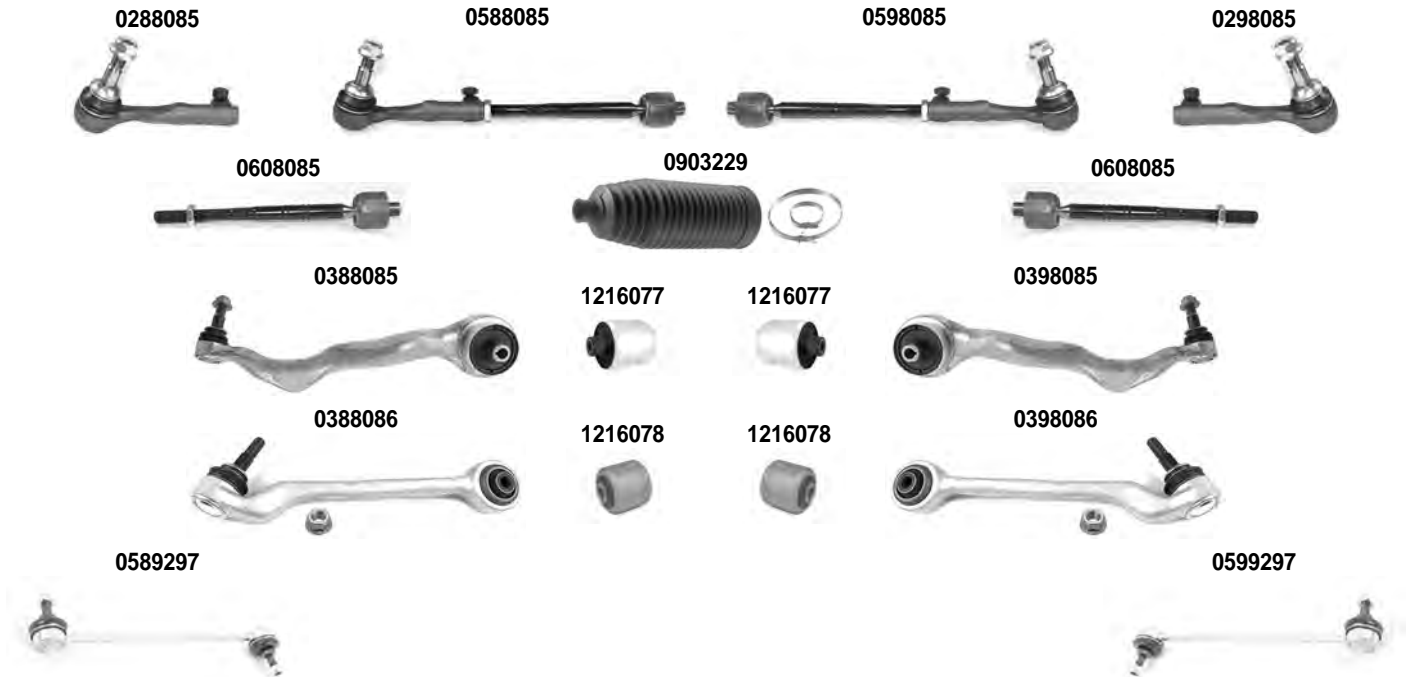
SINISTRO
LEFT

1	F 20	12/2010 >
1	F 21	12/2011 >
2 COUPE'	F 22	10/2013 >
2 CABRIOLET	F 23	11/2014 >

Asse Anteriore



Front Axle



i 1) ECCETTO - EXCEPT: MOD. X	2) SOLO PER - ONLY FOR: MOD. F22 M2 (F87)
--------------------------------------	---

OCAP	O.E.		
0288085	32106799967	TESTA STERZO TIE ROD END	1) RHT M14x1,5
0298085	32106799966	TESTA STERZO TIE ROD END	1) RHT M14x1,5
0388085	31126855742	BRACCIO OSCILLANTE - INFERIORE - ALLUMINIO TRACK CONTROL ARM - LOWER - ALUMINIUM	1)
0388086	31126852992	BRACCIO OSCILLANTE - INFERIORE - ALLUMINIO TRACK CONTROL ARM - LOWER - ALUMINIUM	1)
0398085	31126855741	BRACCIO OSCILLANTE - INFERIORE - ALLUMINIO TRACK CONTROL ARM - LOWER - ALUMINIUM	1)
0398086	31126852991	BRACCIO OSCILLANTE - INFERIORE - ALLUMINIO TRACK CONTROL ARM - LOWER - ALUMINIUM	1)
0588085	32106799965	BARRA STERZO TIE ROD	1)
0589297	31302284644	STABILIZZATORE STABILIZER LINK	2)
0598085	32106799960	BARRA STERZO TIE ROD	1)
0599297	31302284643	STABILIZZATORE STABILIZER LINK	2)
0608085	32106799965 *	SNODO ASSIALE AXIAL JOINT	1) RHT M14x1,5
0903229	32106870519	KIT CUFFIE STERZO - ECCETTO ZF STEERING GAITER KIT - EXCEPT ZF	1)
1216077	31126855743	SILENTBLOCK BUSHING	1)
1216078	31126852992 *	SILENTBLOCK BUSHING	1)

DESTRO
RIGHT



SINISTRO
LEFT

1	F 20	12/2010 >
1	F 21	12/2011 >
2 COUPE'	F 22	10/2013 >
2 CABRIOLET	F 23	11/2014 >

Asse Anteriore



Front Axle



Asse Posteriore



Rear Axle



i 1) ECCEPPO MOD. X - PER VEICOLI SENZA ADAPTIVE DRIVE - EXCEPT X MODELS - FOR VEHICLES WITHOUT ADAPTIVE DRIVE	3) PER MOD. X E PER VEICOLI CON ADAPTIVE DRIVE - FOR X MODELS AND VEHICLES WITH ADAPTIVE DRIVE
---	--

OCAP	O.E.		i	
0404243	33326792553	GIUNTO SUPPORTO RUOTA SUPPORT WHEEL JOINT		
0508085	31306792211	STABILIZZATORE STABILIZER LINK	1)	
0583274	33506785608	STABILIZZATORE STABILIZER LINK		
0588086	31306792212	STABILIZZATORE STABILIZER LINK	3)	
0593274	33506785607	STABILIZZATORE STABILIZER LINK		
0708085	33326792525	BRACCIO OSCILLANTE - INFERIORE TRACK CONTROL ARM - LOWER		
0708086	33326792533	BRACCIO OSCILLANTE - SUPERIORE TRACK CONTROL ARM - UPPER		
0788087	33326792544	BRACCIO OSCILLANTE - SUPERIORE TRACK CONTROL ARM - UPPER		
0788088	33326792540	BRACCIO OSCILLANTE - SUPERIORE TRACK CONTROL ARM - UPPER		
0798087	33326792543	BRACCIO OSCILLANTE - SUPERIORE TRACK CONTROL ARM - UPPER		
0798088	33326792539	BRACCIO OSCILLANTE - SUPERIORE TRACK CONTROL ARM - UPPER		
1216081	33326792551	SILENTBLOCK SUPPORTO RUOTA SUPPORT WHEEL BUSHING		
1216082	33326792525 *	SILENTBLOCK BRACCIO OSCILLANTE INFERIORE LOWER CONTROL ARM BUSHING - LOWER		

DESTRO
RIGHT



SINISTRO
LEFT

2 ACTIVE TOURER
2 GRAN TOURER

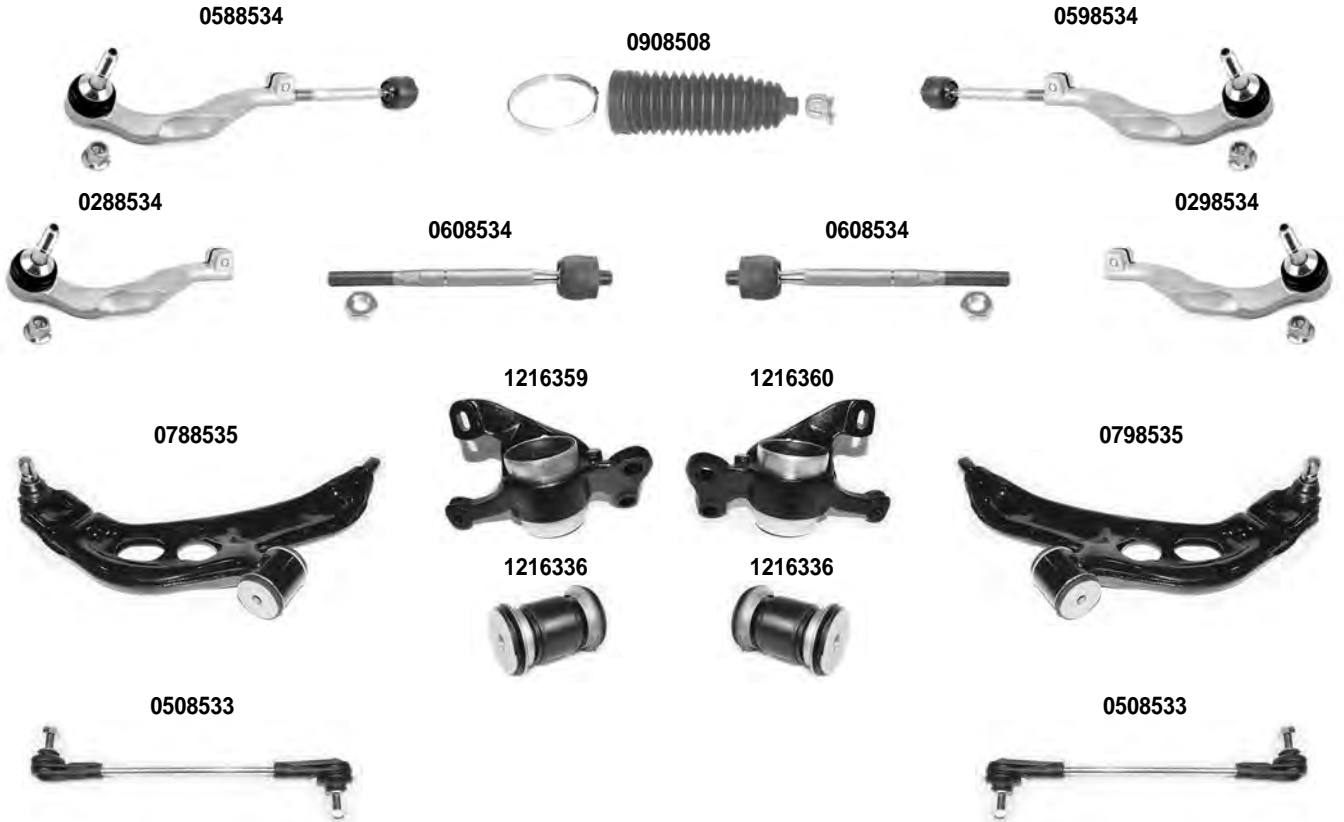
F 45
F 46

11/2013 >
07/2014 >

Asse Anteriore



Front Axle



OCAP	O.E.		i	
0288534	32106869425	TESTA STERZO TIE ROD END		RHT M14x1,5
0298534	32106869424	TESTA STERZO TIE ROD END		RHT M14x1,5
0508533	31306862864	STABILIZZATORE STABILIZER LINK		
0588534	32106867405	BARRA STERZO TIE ROD		
0598534	32106867404	BARRA STERZO TIE ROD		
0608534	32106867405 *	SNODO ASSIALE AXIAL JOINT		RHT M14x1,5
0788535	31126871302	BRACCIO OSCILLANTE TRACK CONTROL ARM		
0798535	31126871301	BRACCIO OSCILLANTE TRACK CONTROL ARM		
0908508	32106865380	KIT CUFFIA STERZO STEERING GAITER KIT		
1216336	31126850398 *	SILENTBLOCK BUSHING		
1216359	31126850404	SILENTBLOCK BUSHING		
1216360	31126850403	SILENTBLOCK BUSHING		

DESTRO
RIGHT



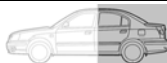
SINISTRO
LEFT

2 ACTIVE TOURER
2 GRAN TOURER

F 45
F 46

11/2013 >
07/2014 >

Asse Posteriore



Rear Axle

0508511



0708536



0708537



0508511



0708536



0708537



OCAP	O.E.			
0508511	33506862865	STABILIZZATORE STABILIZER LINK		
0708536	33326851563	BRACCIO OSCILLANTE TRACK CONTROL ARM		
0708537	33326851569	BRACCIO OSCILLANTE TRACK CONTROL ARM		

DESTRO
RIGHT



SINISTRO
LEFT

318 > 323 i

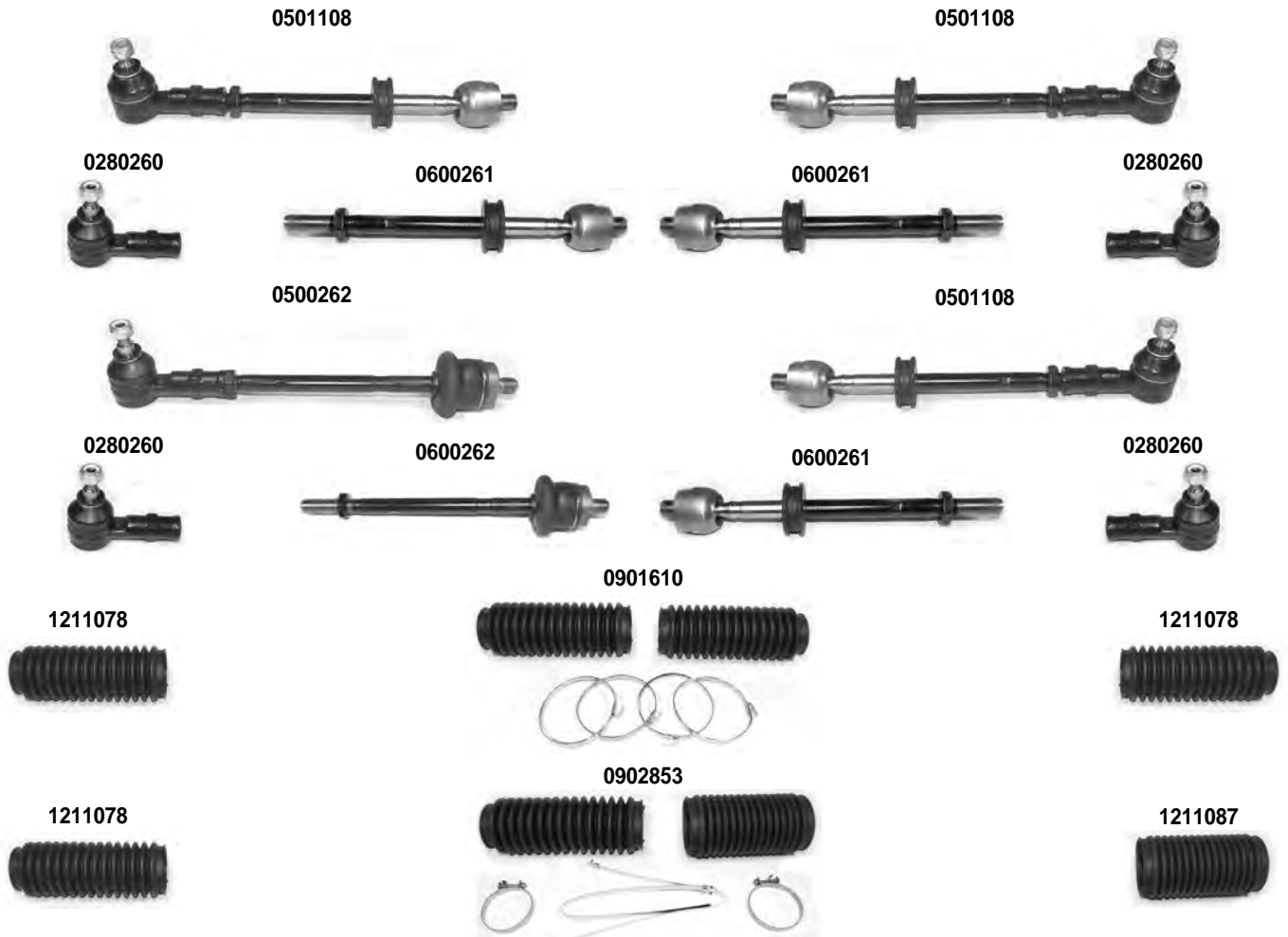
E 21

1975 > 1983

Asse Anteriore



Front Axle



i 1) SENZA AMMORTIZZATORE STERZO - WITHOUT STEERING DAMPER 2) CON AMMORTIZZATORE STERZO - WITH STEERING DAMPER

OCAP	O.E.		
0280260	32111116463	TESTA STERZO TIE ROD END	RHT M14x1,5
0500262	32111115241	BARRA STERZO TIE ROD	2)
0501108	32111115229	BARRA STERZO TIE ROD	1)
0600261	32111116709	SNODO ASSIALE AXIAL JOINT	RHT M14x1,5
0600262	32111116710	SNODO ASSIALE AXIAL JOINT	2)
0901610	-	KIT CUFFIE STERZO STEERING GAITER KIT	1)
0902853	-	KIT CUFFIE STERZO STEERING GAITER KIT	2)
1211078	32111125131	CUFFIA STERZO STEERING GAITER	1)
1211087	32111117426	CUFFIA STERZO STEERING GAITER	2)

DESTRO
RIGHT



SINISTRO
LEFT

318 > 323 i	E 21	1975 > 1983
-------------	------	-------------

Asse Anteriore



Front Axle



i 3) -> 09/1978	4) 10/1978>
------------------------	-------------

OCAP	O.E.		i	
0380263	31121114701	BRACCIO OSCILLANTE TRACK CONTROL ARM	3)	
0380264	31121123026	BRACCIO OSCILLANTE TRACK CONTROL ARM	4)	
0390263	31121114700	BRACCIO OSCILLANTE TRACK CONTROL ARM	3)	
0390264	31121123025	BRACCIO OSCILLANTE TRACK CONTROL ARM	4)	
1215002	31121116493	SILENTBLOCK ESTREMO OUTER BUSHING		
1215003	31121123037	SILENTBLOCK CENTRALE CENTRAL BUSHING		

DESTRO
RIGHT



SINISTRO
LEFT

316 > M3

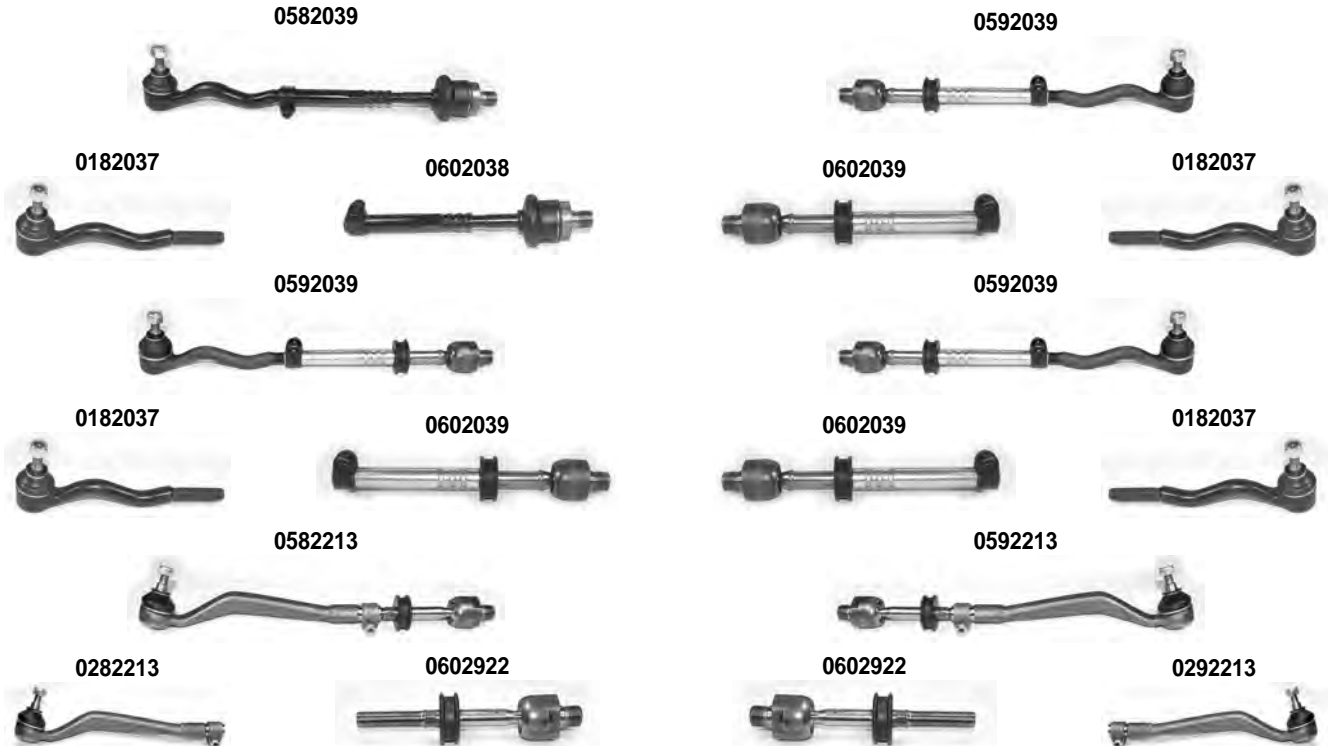
E 30

1982 > 1994

Asse Anteriore



Front Axle



i 1) STERZO MANUALE - MANUAL STEERING 3) MOD. iX	2) SERVOSTERZO - POWER STEERING
--	---------------------------------

OCAP	O.E.		i	
0182037	32111126757	TESTA STERZO TIE ROD END		RHT M14x1,5
0282213	32211701038	TESTA STERZO TIE ROD END	3)	RHT M14x1,5
0292213	32211701037	TESTA STERZO TIE ROD END	3)	RHT M14x1,5
0582039	32111125187	BARRA STERZO TIE ROD	1)	
0582213	32211701040	BARRA STERZO TIE ROD	3)	
0592039	32111125186	BARRA STERZO TIE ROD	1)2)	
0592213	32211701039	BARRA STERZO TIE ROD	3)	
0602038	32111126620	SNODO ASSIALE AXIAL JOINT	1)	RHT M14x1,5
0602039	32111701040	SNODO ASSIALE AXIAL JOINT	1)2)	RHT M14x1,5
0602922	-	SNODO ASSIALE AXIAL JOINT	3)	RHT M14x1,5

DESTRO
RIGHT



SINISTRO
LEFT

316 > M3

E 30

1982 > 1994

Asse Anteriore



Front Axle

0902038



0902854



0402039

0402039



0402038

0402038



0380378



0390378



1211088



1211087



1211088



1211088



1215165



1215165



i 1) STERZO MANUALE - MANUAL STEERING
4) ESCLUSI - EXCEPT: 325 i 09/1988 > - M3

2) SERVOSTERZO - POWER STEERING

OCAP	O.E.		i	
0380378	31121127726	BRACCIO OSCILLANTE - ACCIAIO TRACK CONTROL ARM - STEEL	4)	
0390378	31121127725	BRACCIO OSCILLANTE - ACCIAIO TRACK CONTROL ARM - STEEL	4)	
0402038	31121126254	SNODO SOSPENSIONE - ESTREMO BALL JOINT - OUTER		
0402039	31121126253	SNODO SOSPENSIONE - CENTRALE BALL JOINT - CENTRAL		
0902038	-	KIT CUFFIE STERZO STEERING GAITER KIT	1)	
0902854	-	KIT CUFFIE STERZO STEERING GAITER KIT	2)	
1211087	32111117426	CUFFIA STERZO STEERING GAITER	1)	
1211088	32111127104	CUFFIA STERZO STEERING GAITER	1)	
1215165	31129058814	SILENTBLOCK BUSHING		

DESTRO
RIGHT

 SINISTRO
LEFT

316 > M3

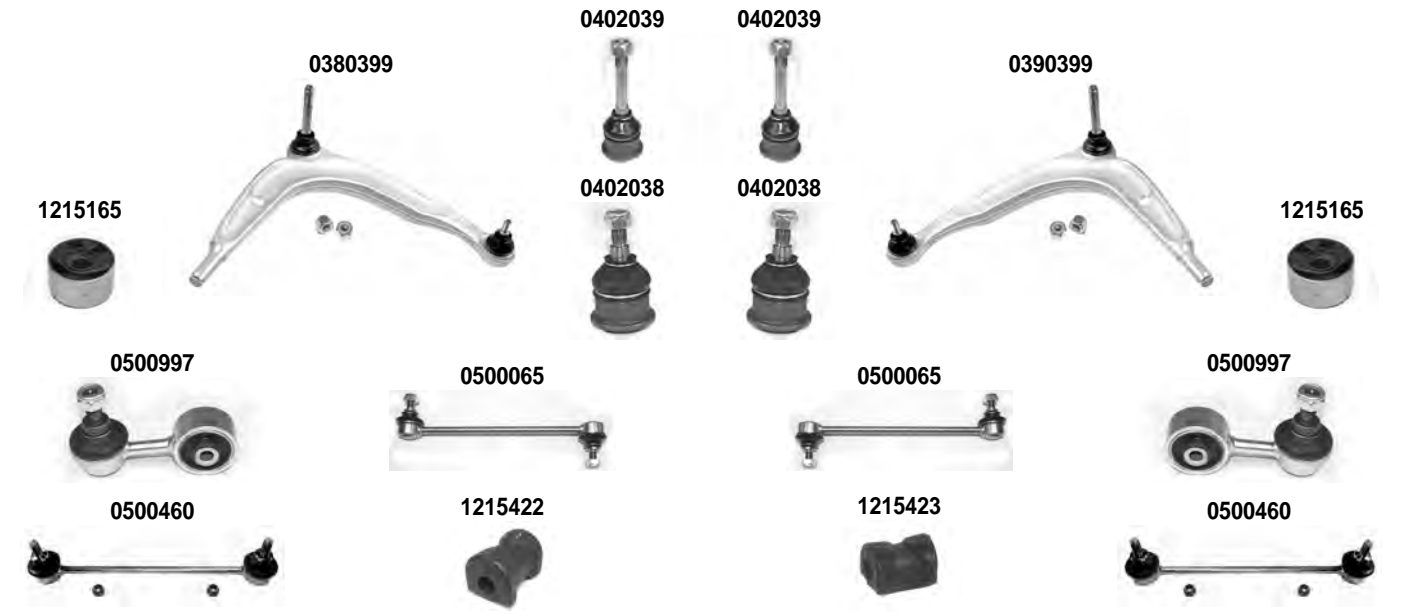
E 30

1982 > 1994

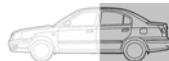
Asse Anteriore



Front Axle



Asse Posteriore



Rear Axle



i 5) MOD. 325 i 09/1988 > - M3 7) MOD. M3	6) ESCLUSO - EXCEPT: MOD. M3 - iX 8) MOD. iX
---	---

OCAP	O.E.		i	
0380399	31121130824	BRACCIO OSCILLANTE - ALLUMINIO TRACK CONTROL ARM - ALUMINIUM	5)	
0390399	31121130823	BRACCIO OSCILLANTE - ALLUMINIO TRACK CONTROL ARM - ALUMINIUM	5)	
0402038	31121126254	SNODO SOSPENSIONE - ESTREMO BALL JOINT - OUTER		
0402039	31121126253	SNODO SOSPENSIONE - CENTRALE BALL JOINT - CENTRAL		
0500065	31351134582	STABILIZZATORE STABILIZER LINK	7)	
0500377	33551126932	STABILIZZATORE - ALLUMINIO STABILIZER LINK - ALUMINIUM		
0500460	31351701066	STABILIZZATORE STABILIZER LINK	8)	
0500997	31351091764	STABILIZZATORE STABILIZER LINK	6)	
1215165	31129058814	SILENTBLOCK BUSHING		
1215422	31351127414	BOCCOLA BARRA STABILIZZATRICE STABILIZING BAR BUSHING		DIAM. 18,5 mm.
1215423	31351129139	BOCCOLA BARRA STABILIZZATRICE STABILIZING BAR BUSHING		DIAM. 20 mm.
1215613	33311129144	SILENTBLOCK BUSHING		

DESTRO
RIGHT



SINISTRO
LEFT

316 i > M3

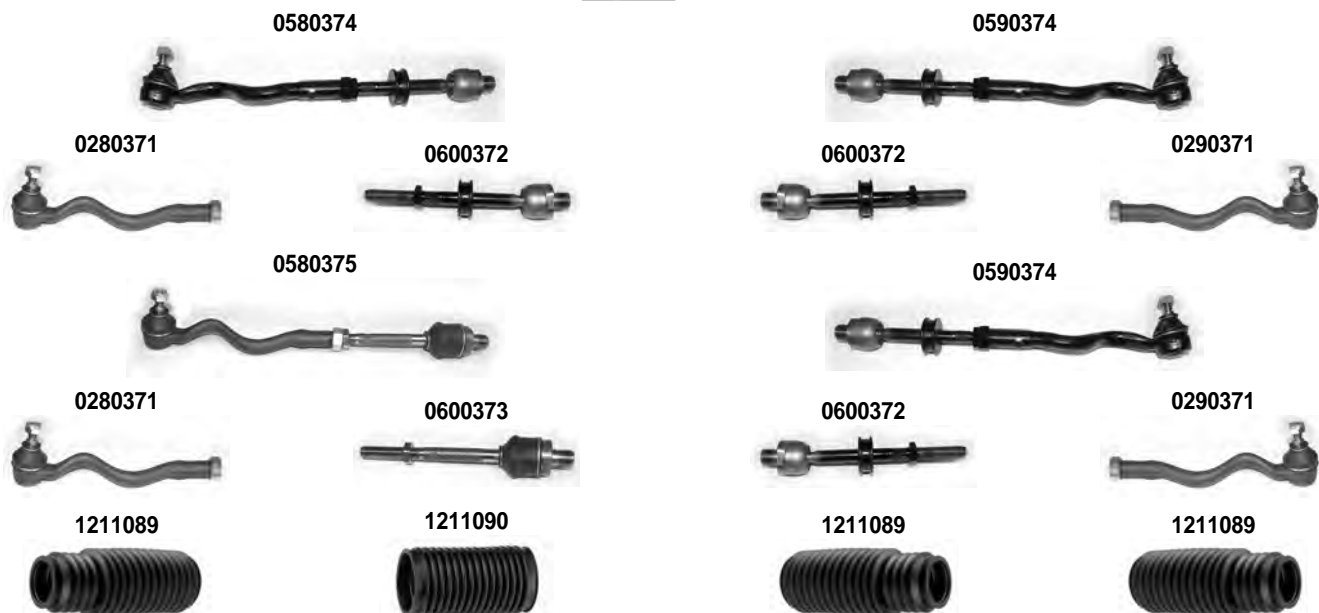
E 36

1989 > 2000

Asse Anteriore



Front Axle



i	1) MOD. 316 STERZO MANUALE O AMMORTIZZATORE STERZO - MOD. 316 MANUAL STEERING OR STEERING DAMPER	2) MOD. 316 M40 CON AMMORTIZZATORE STERZO - MOD. 316 M40 WITH STEERING DAMPER
	3) SERVOSTERZO - POWER STEERING	4) STERZO MANUALE - MANUAL STEERING

OCAP	O.E.		
0280371	32111139314	TESTA STERZO <i>TIE ROD END</i>	RHT M14x1,5
0290371	32111139313	TESTA STERZO <i>TIE ROD END</i>	RHT M14x1,5
0580374	32111139316	BARRA STERZO <i>TIE ROD</i>	3)4)
0580375	32111139318	BARRA STERZO <i>TIE ROD</i>	1)
0590374	32111139315	BARRA STERZO <i>TIE ROD</i>	3)4)
0600372	32111139316 *	SNODO ASSIALE <i>AXIAL JOINT</i>	3)4) RHT M14x1,5
0600373	32111139318 *	SNODO ASSIALE <i>AXIAL JOINT</i>	1) RHT M14x1,5
1211089	32211139786	CUFFIA STERZO <i>STEERING GAITER</i>	
1211090	32111137071	CUFFIA STERZO <i>STEERING GAITER</i>	2)

DESTRO
RIGHT



SINISTRO
LEFT

316 i > M3

E 36

1989 > 2000

Asse Anteriore



Front Axle



i 5) ESCLUSO M3 - EXCEPT M3
7) SOLO PER - ONLY FOR: MOD. M3

6) 10/1991 >

OCAP	O.E.		i	
0380376	31126758514	BRACCIO OSCILLANTE - ACCIAIO TRACK CONTROL ARM - STEEL	5)	
0390376	31126758513	BRACCIO OSCILLANTE - ACCIAIO TRACK CONTROL ARM - STEEL	5)	
0400326	31126758510	SNODO SOSPENSIONE - ESTREMO BALL JOINT - OUTER		RHT M12x1,5 - L = 89 mm.
0402039	31121126253	SNODO SOSPENSIONE - CENTRALE BALL JOINT - CENTRAL		RHT M14x1,5 - L = 137 mm.
0500065	31351134582	STABILIZZATORE STABILIZER LINK		
0500997	31351091764	STABILIZZATORE STABILIZER LINK	6)	
0503852	31352227203	STABILIZZATORE STABILIZER LINK	7)	
0980376	31121136532	SUPPORTO BRACCIO OSCILLANTE - COMPLETO TRACK CONTROL ARM RETAINER - COMPLETE		
0990376	31121136531	SUPPORTO BRACCIO OSCILLANTE - COMPLETO TRACK CONTROL ARM RETAINER - COMPLETE		
1215165	31129059288	SILENTBLOCK BRACCIO OSCILLANTE TRACK CONTROL ARM BUSHING		
1249514	31121139790	SUPPORTO BRACCIO OSCILLANTE TRACK CONTROL ARM RETAINER		
1249515	31121139789	SUPPORTO BRACCIO OSCILLANTE TRACK CONTROL ARM RETAINER		

DESTRO
RIGHT



SINISTRO
LEFT

316 i > M3

E 36

1989 > 2000

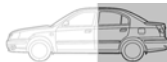
Asse Anteriore



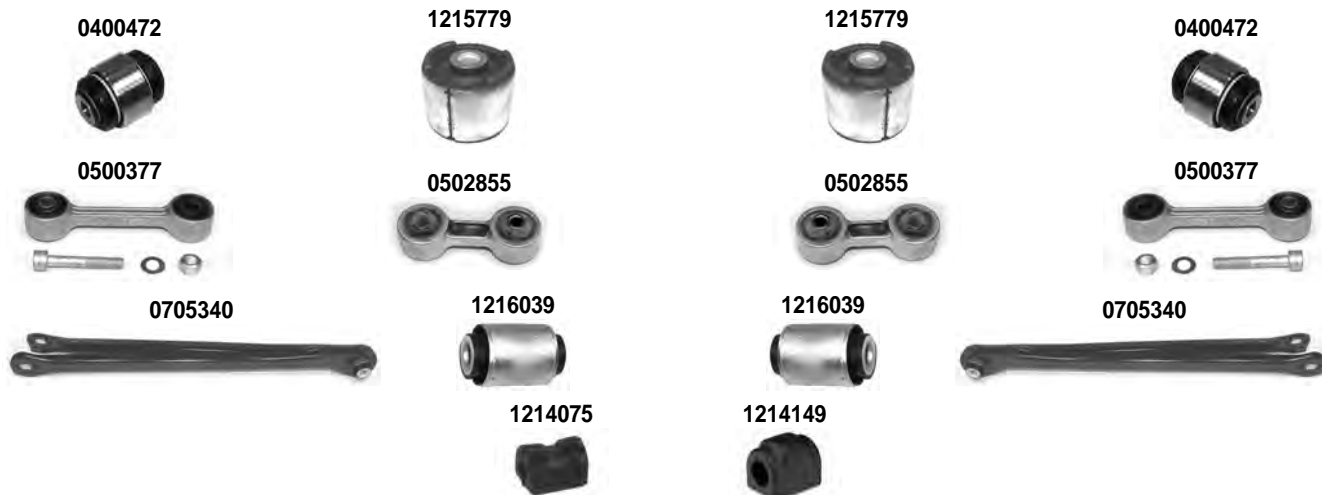
Front Axle



Asse Posteriore



Rear Axle



i 8)SOLO PER - ONLY FOR: MOD. COMPACT 9) 06/1992 >

OCAP	O.E.		i	
0400472	33321138722	GIUNTO SOSPENSIONE SUSPENSION JOINT		
0500377	33551126932	STABILIZZATORE - ALLUMINIO STABILIZER LINK - ALUMINIUM		
0502855	33551135307	STABILIZZATORE - ALLUMINIO STABILIZER LINK - ALUMINIUM	8)	
0705340	33326770813	BRACCIO OSCILLANTE TRACK CONTROL ARM		
1214075	33551131155	SILENTBLOCK BARRA STABILIZZATRICE STABILIZING BAR BUSHING	9)	DIAM. 15 mm.
1214149	33551138104	SILENTBLOCK BARRA STABILIZZATRICE STABILIZING BAR BUSHING		DIAM. 18 mm.
1214165	31351090860	SILENTBLOCK BARRA STABILIZZATRICE STABILIZING BAR BUSHING		DIAM. 23.5 mm.
1214166	31351090268	SILENTBLOCK BARRA STABILIZZATRICE STABILIZING BAR BUSHING		DIAM. 25.5 mm.
1214167	31351090186	SILENTBLOCK BARRA STABILIZZATRICE STABILIZING BAR BUSHING		DIAM. 25.5 mm.
1214168	31351090263	SILENTBLOCK BARRA STABILIZZATRICE STABILIZING BAR BUSHING		DIAM. 24 mm.
1214169	31351090300	SILENTBLOCK BARRA STABILIZZATRICE STABILIZING BAR BUSHING		DIAM. 22.5 mm.
1215779	33326770786	SILENTBLOCK BUSHING		
1216039	33326770824	SILENTBLOCK BUSHING		

DESTRO
RIGHT



SINISTRO
LEFT

316 i > M3

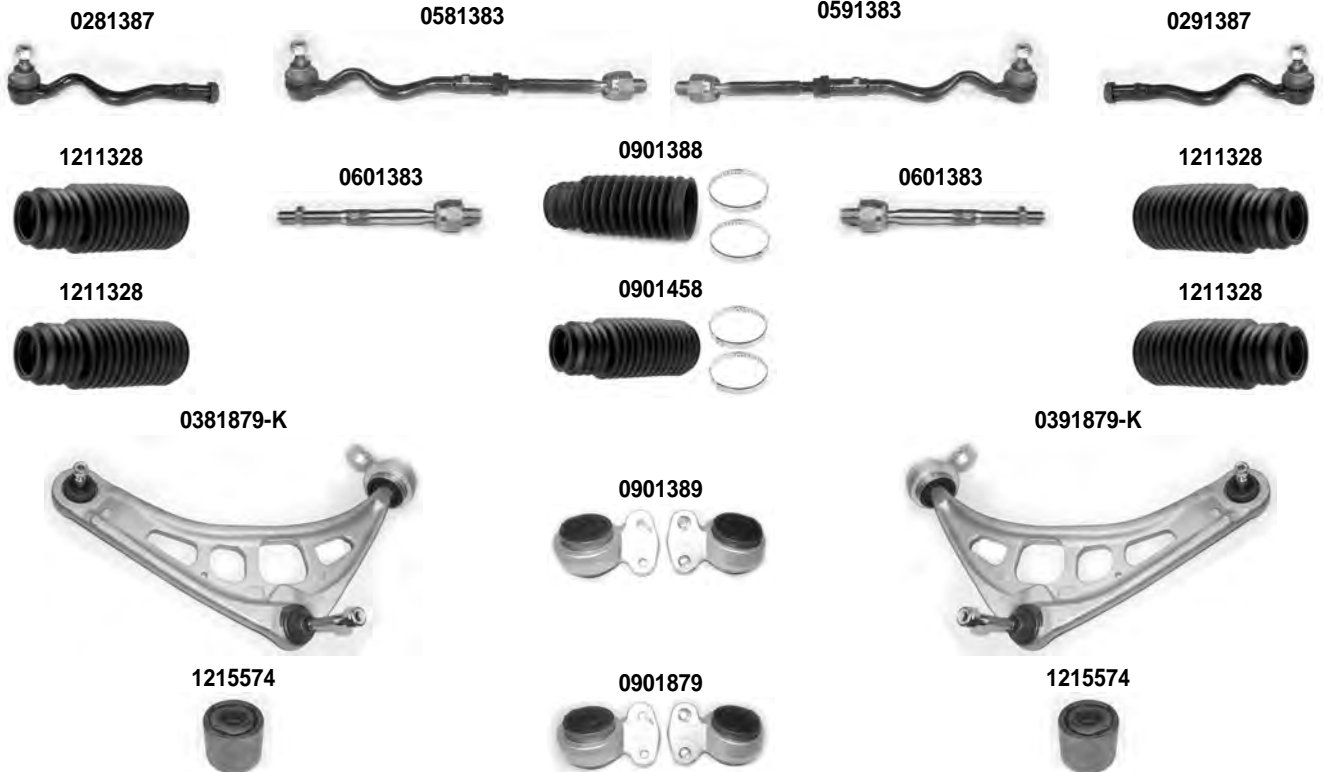
E 46

1997 > 2005

Asse Anteriore



Front Axle



i 1) ECCETTO - EXCEPT: MOD. X - M3
 2) 09/1998 > ECCETTO - EXCEPT: MOD. X
 3) > 09/1998 - ECCETTO - EXCEPT: MOD. 330 - M3 - X
 4) > 07/1999 - ECCETTO - EXCEPT: MOD. X - M3
 5) 07/1999 > - ECCETTO - EXCEPT: MOD. X - M3

OCAP	O.E.		
0281387	32106774221	TESTA STERZO TIE ROD END	1)
0291387	32211095957	TESTA STERZO TIE ROD END	1)
0581383	32211096898	BARRA STERZO TIE ROD	1)
0591383	32111096897	BARRA STERZO TIE ROD	1)
0601383	32211096898 *	SNODO ASSIALE AXIAL JOINT	1)
0901388	32131096910	KIT CUFFIE STERZO STEERING GAITER KIT	2)
0901389	31126757622	KIT SUPPORTO BRACCIO ALLUMINIO CONTROL ARM SUPPORT KIT - ALUMINIUM	4)
0901458	32131096465	KIT CUFFIE STERZO STEERING GAITER KIT	3)
0901879	31126757623	KIT SUPPORTO BRACCIO ALLUMINIO CONTROL ARM SUPPORT KIT - ALUMINIUM	5)
1211328	-	CUFFIA STERZO STEERING GAITER	
1215574	-	SILENTBLOCK SUPPORTO BRACCIO CONTROL ARM SUPPORT BUSHING	
0381879-K	31126774820 *	BRACCIO OSCILLANTE ALLUMINIO - COMPLETO TRACK CONTROL ARM ALUMINIUM - COMPLETE	1)
0391879-K	31126774819 *	BRACCIO OSCILLANTE ALLUMINIO - COMPLETO TRACK CONTROL ARM ALUMINIUM - COMPLETE	1)

DESTRO
RIGHT



SINISTRO
LEFT

316 i > M3

E 46

1997 > 2005

Asse Anteriore



Front Axle

0381879

0391879

0501390

0501390

0582463

0592463

1214150

1214152

1214153

1214154

1214155

i	1) ECCETTO - EXCEPT: MOD. X - M3	6) ECCETTO - EXCEPT: MOD. X
	7) SOLO PER - ONLY FOR: MOD. X	

OCAP	O.E.		i	
0381879	31126774820	BRACCIO OSCILLANTE ALLUMINIO TRACK CONTROL ARM ALUMINIUM	1)	
0391879	31126774819	BRACCIO OSCILLANTE ALLUMINIO TRACK CONTROL ARM ALUMINIUM	1)	
0501390	31351095694	STABILIZZATORE STABILIZER LINK	6)	
0582463	31356751080	STABILIZZATORE STABILIZER LINK	7)	
0592463	31356751079	STABILIZZATORE STABILIZER LINK	7)	
1214150	31351095271	SILENTBLOCK BARRA STABILIZZATRICE STABILIZING BAR BUSHING		DIAM. 24.6 mm.
1214152	31351094556	SILENTBLOCK BARRA STABILIZZATRICE STABILIZING BAR BUSHING		DIAM. 24. mm.
1214153	31351094554	SILENTBLOCK BARRA STABILIZZATRICE STABILIZING BAR BUSHING		DIAM. 21,5 mm.
1214154	31351097179	SILENTBLOCK BARRA STABILIZZATRICE STABILIZING BAR BUSHING		DIAM. 23 mm.
1214155	31351094555	SILENTBLOCK BARRA STABILIZZATRICE STABILIZING BAR BUSHING		DIAM. 22.5 mm.

DESTRO
RIGHT



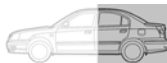
SINISTRO
LEFT

316 i > M3

E 46

1997 > 2005

Asse Posteriore



Rear Axle

1215779



1215779



0705340



1216039



1216039



0705340



0501391



1214149



1214149



0501391



OCAP	O.E.		i	
0501391	33551094619	STABILIZZATORE STABILIZER LINK		
0705340	33326770813	BRACCIO OSCILLANTE TRACK CONTROL ARM		
1214149	33551138104	SILENTBLOCK BARRA STABILIZZATRICE STABILIZING BAR BUSHING		DIAM. 18 mm.
1215779	33326770786	SILENTBLOCK BUSHING		
1216039	33326770824	SILENTBLOCK BUSHING		

DESTRO
RIGHT



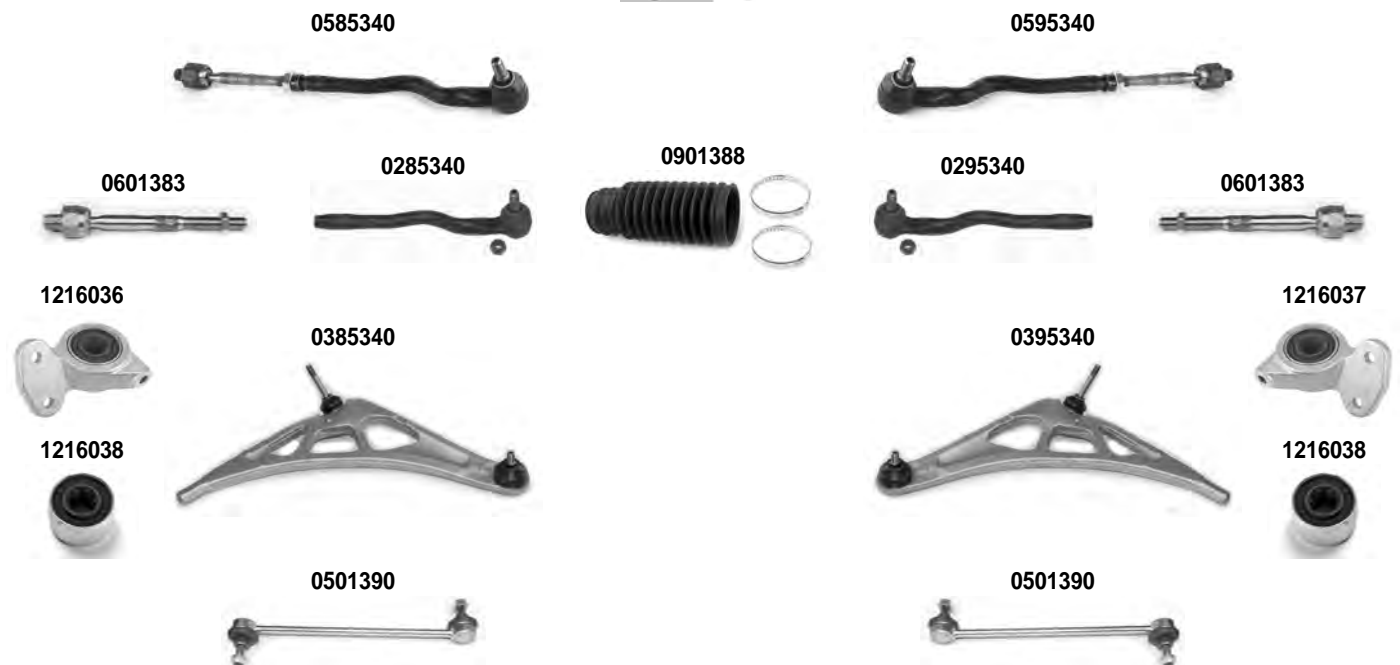
SINISTRO
LEFT

3 COUPE' M3 3 CABRIOLET M3	E 46 E 46	2000 > 2001 >
-------------------------------	--------------	------------------

Asse Anteriore



Front Axle



OCAP	O.E.			
0285340	32212229368	TESTA STERZO TIE ROD END		RHT M14x1,5
0295340	32212229367	TESTA STERZO TIE ROD END		RHT M14x1,5
0385340	31122229454	BRACCIO OSCILLANTE - INFERIORE - ALLUMINIO TRACK CONTROL ARM - LOWER - ALUMINIUM		
0395340	31122229453	BRACCIO OSCILLANTE - INFERIORE - ALLUMINIO TRACK CONTROL ARM - LOWER - ALUMINIUM		
0501390	31356780847	STABILIZZATORE STABILIZER LINK		
0585340	32112228786	BARRA STERZO TIE ROD		
0595340	32112228785	BARRA STERZO TIE ROD		
0601383	32211096898 *	SNODO ASSIALE AXIAL JOINT		RHT M14x1,5
0901388	32131096910	KIT CUFFIA STERZO STEERING GAITER KIT		
1216036	31122229624	SILENTBLOCK BUSHING		
1216037	31122229623	SILENTBLOCK BUSHING		
1216038	31122229857	SILENTBLOCK BUSHING		

DESTRO
RIGHT



SINISTRO
LEFT

3 COUPE' M3 3 CABRIOLET M3	E 46 E 46	2000 > 2001 >
-------------------------------	--------------	------------------

Asse Posteriore



Rear Axle



OCAP	O.E.			
0503853	33552283743	STABILIZZATORE STABILIZER LINK		
0705340	33326770813	BRACCIO OSCILLANTE TRACK CONTROL ARM		
1216039	33326770824	SILENTBLOCK BUSHING		
1216040	33326770817	SILENTBLOCK BUSHING		

3

DESTRO
RIGHT



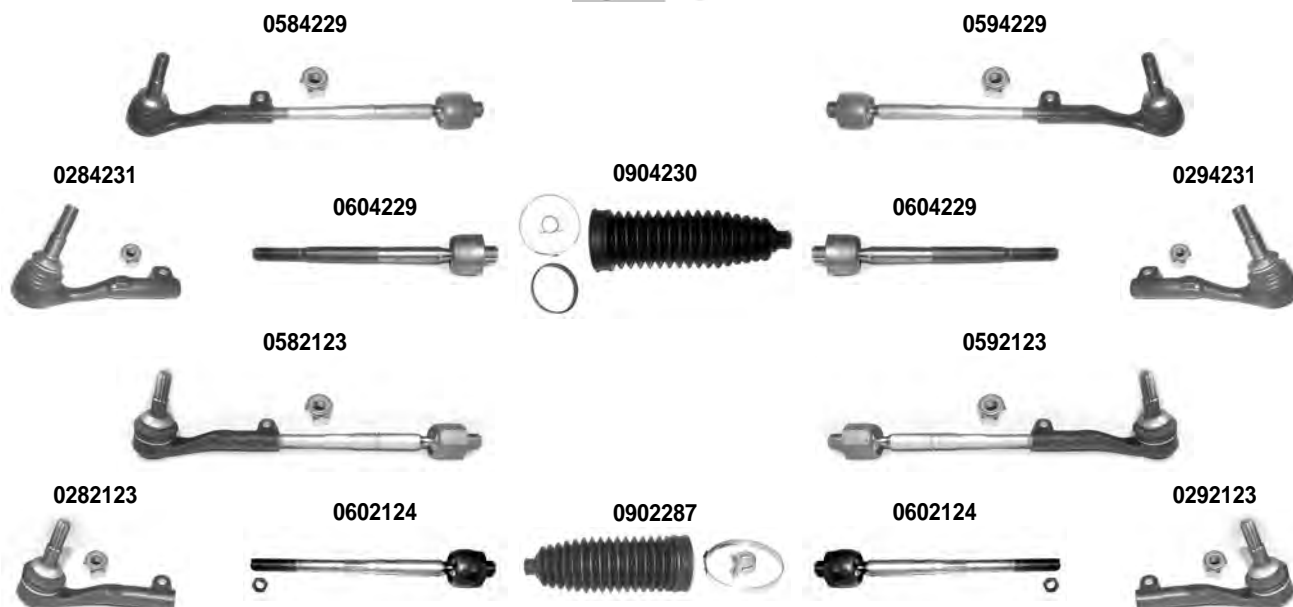
SINISTRO
LEFT

3 3 TOURING 3 COUPE' 3 CABRIOLET	E 90 E 91 E 92 E 93	01/2005 > 2011 01/2005 > 2012 06/2006 > 2013 05/2006 > 2013
---	------------------------------	--

Asse Anteriore



Front Axle



i 1) TRW - ECCETTO - EXCEPT: MOD. X 3) ZF - SOLO PER - ONLY FOR: MOD. X	2) ZF - ECCETTO - EXCEPT: MOD. X
---	----------------------------------

OCAP	O.E.		i	
0282123	32106767782	TESTA STERZO TIE ROD END	2)	RHT M14x1,5
0284231	32106765090	TESTA STERZO TIE ROD END	1)	RHT M14x1,5
0292123	32106767781	TESTA STERZO TIE ROD END	2)	RHT M14x1,5
0294231	32106765089	TESTA STERZO TIE ROD END	1)	RHT M14x1,5
0582123	32106765236	BARRA STERZO TIE ROD	2)	
0584229	32216762244	BARRA STERZO TIE ROD	1)	
0592123	32106765235	BARRA STERZO TIE ROD	2)	
0594229	32216762243	BARRA STERZO TIE ROD	1)	
0602124	32106765235 *	SNODO ASSIALE AXIAL JOINT	2)	RHT M14x1,5
0604229	-	SNODO ASSIALE AXIAL JOINT	1)	RHT M14x1,5
0902287	32106765234	KIT CUFFIA STERZO STEERING GAITER KIT	3)	
0904230	32106765079	KIT CUFFIA STERZO STEERING GAITER KIT	1)	

DESTRO
RIGHT

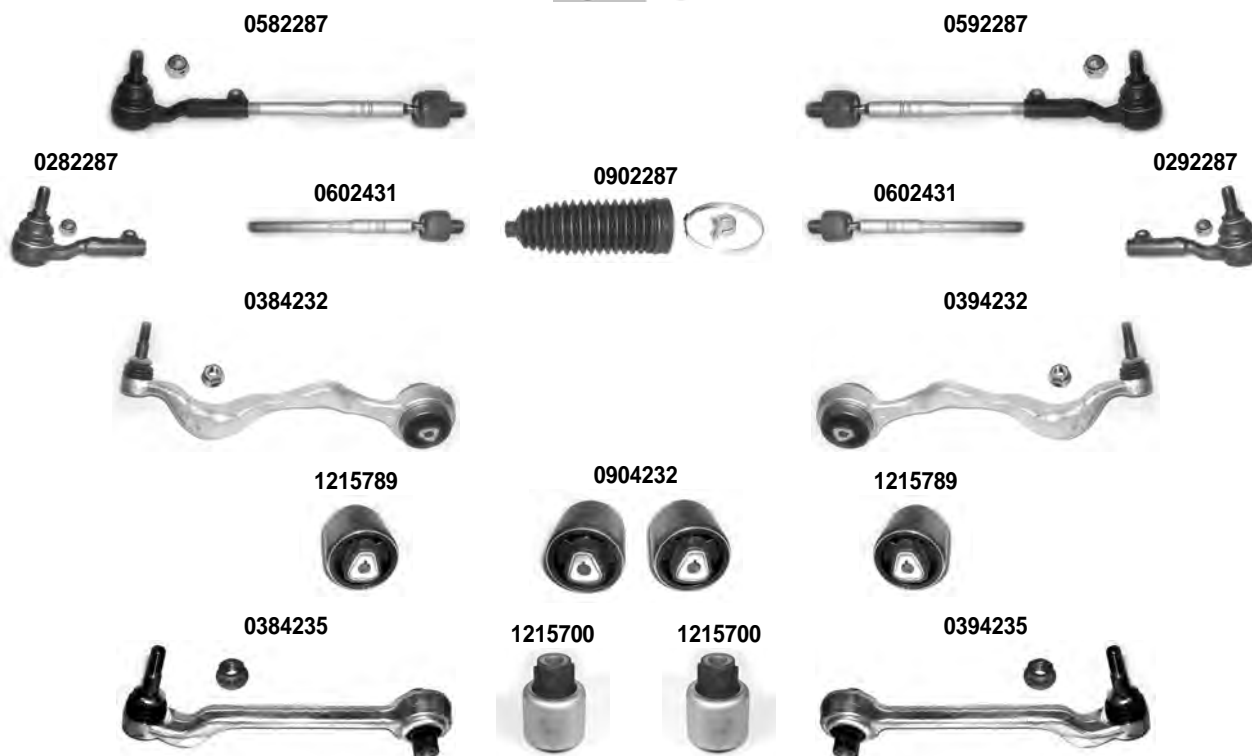
 SINISTRO
LEFT

3 3 TOURING 3 COUPE' 3 CABRIOLET	E 90 E 91 E 92 E 93	01/2005 > 2011 01/2005 > 2012 06/2006 > 2013 05/2006 > 2013
---	------------------------------	--

Asse Anteriore



Front Axle



i 3) ZF - SOLO PER - ONLY FOR: MOD. X	4) ECCETTO - EXCEPT: MOD. X
--	-----------------------------

OCAP	O.E.		i	
0282287	32106793624	TESTA STERZO TIE ROD END	3)	RHT M14x1,5
0292287	32106793623	TESTA STERZO TIE ROD END	3)	RHT M14x1,5
0384232	31126769798	BRACCIO OSCILLANTE - ALLUMINIO TRACK CONTROL ARM - ALUMINIUM	4)	
0384235	31126770850	BRACCIO OSCILLANTE - ALLUMINIO TRACK CONTROL ARM - ALUMINIUM	4)	
0394232	31126769797	BRACCIO OSCILLANTE - ALLUMINIO TRACK CONTROL ARM - ALUMINIUM	4)	
0394235	31126770849	BRACCIO OSCILLANTE - ALLUMINIO TRACK CONTROL ARM - ALUMINIUM	4)	
0582287	32106768880	BARRA STERZO TIE ROD	3)	
0592287	32106768879	BARRA STERZO TIE ROD	3)	
0602431	-	SNODO ASSIALE AXIAL JOINT	3)	RHT M14x1,5
0902287	32106765234	KIT CUFFIA STERZO STEERING GAITER KIT	3)	
0904232	31120393540	KIT SILENTBLOCK BUSHING KIT		
1215700	31126770850 *	SILENTBLOCK BUSHING	4)	
1215789	31126763719	SILENTBLOCK BUSHING		

3

DESTRO
RIGHT



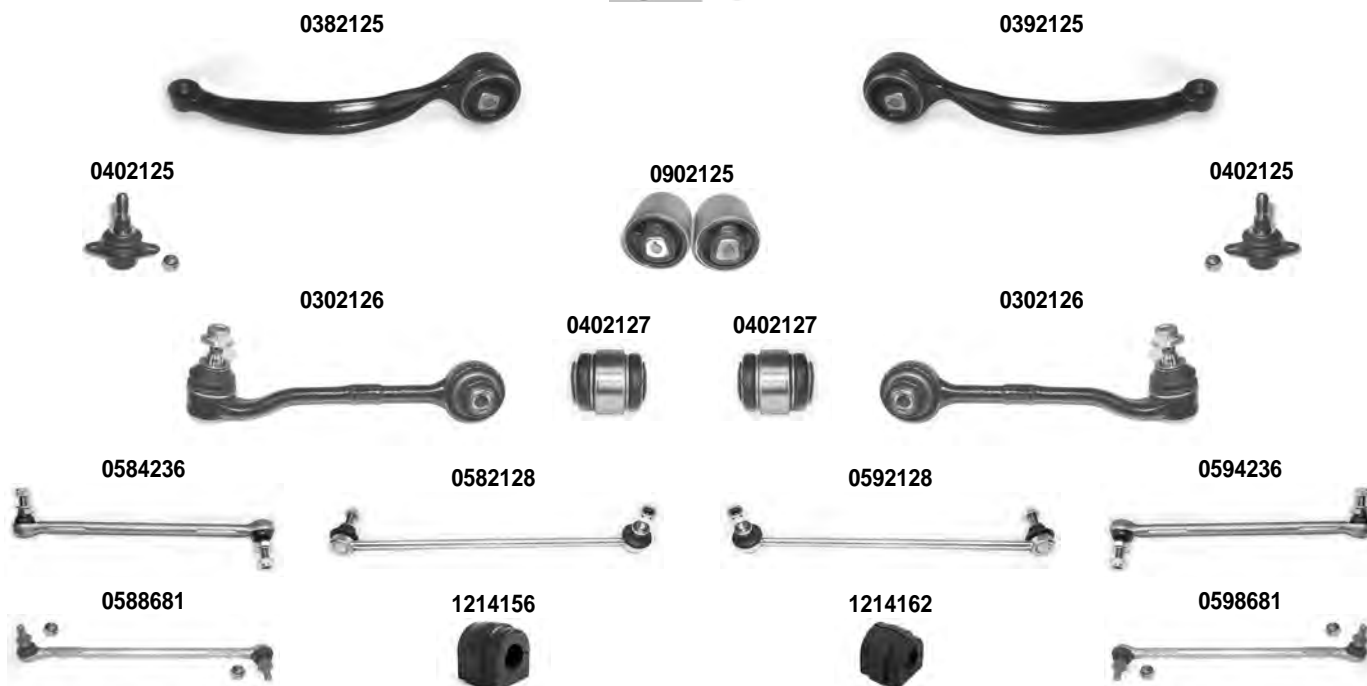
SINISTRO
LEFT

3 3 TOURING 3 COUPE' 3 CABRIOLET	E 90 E 91 E 92 E 93	01/2005 > 2011 01/2005 > 2012 06/2006 > 2013 05/2006 > 2013
---	------------------------------	--

Asse Anteriore



Front Axle



i 4) ECCETTO - EXCEPT: MOD. X 5) SOLO PER - ONLY FOR: MOD. X	5) SOLO PER - ONLY FOR: MOD. X
--	--------------------------------

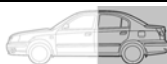
OCAP	O.E.		i	
0302126	31126768989	BRACCIO OSCILLANTE - ACCIAIO TRACK CONTROL ARM - STEEL	5)	
0382125	31126768984	BRACCIO OSCILLANTE - ACCIAIO TRACK CONTROL ARM - STEEL	5)	
0392125	31126768983	BRACCIO OSCILLANTE - ACCIAIO TRACK CONTROL ARM - STEEL	5)	
0402125	31126768988	SNODO SOSPENSIONE BALL JOINT	5)	
0402127	-	SILENTBLOCK BUSHING	5)	
0582128	31356768772	STABILIZZATORE - ACCIAIO STABILIZER LINK - STEEL	5)	
0584236	31356765934	STABILIZZATORE - ALLUMINIO STABILIZER LINK - ALUMINIUM	4)	
0588681	31356768772 *	STABILIZZATORE - ALLUMINIO STABILIZER LINK - ALUMINIUM	5)	
0592128	31356768771	STABILIZZATORE - ACCIAIO STABILIZER LINK - STEEL	5)	
0594236	31356765933	STABILIZZATORE - ALLUMINIO STABILIZER LINK - ALUMINIUM	4)	
0598681	31356768771 *	STABILIZZATORE - ALLUMINIO STABILIZER LINK - ALUMINIUM	5)	
0902125	31120410791	KIT SILENTBLOCK BUSHING KIT	5)	
1214156	31356765574	SILENTBLOCK BARRA STABILIZZATRICE STABILIZING BAR BUSHING		DIAM. 26.5 mm.
1214162	31356773512	SILENTBLOCK BARRA STABILIZZATRICE STABILIZING BAR BUSHING		DIAM. 26.2 mm.

DESTRO
RIGHT

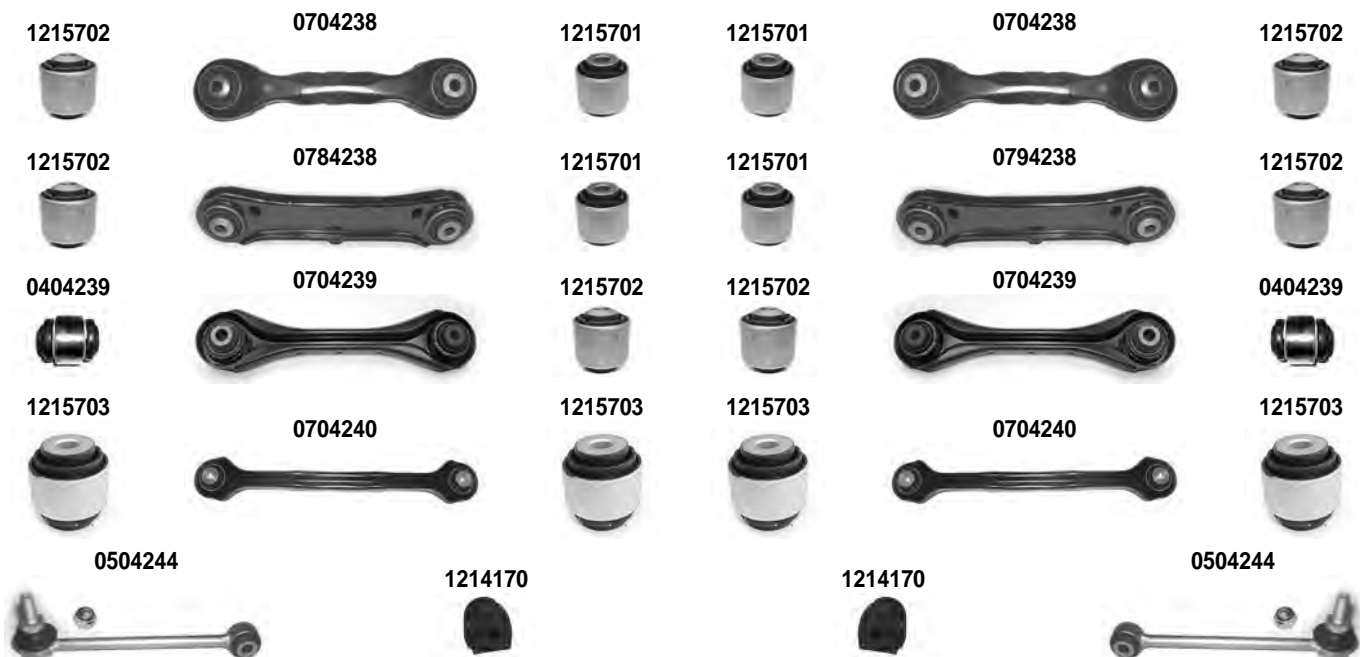
 SINISTRO
LEFT

3 3 TOURING 3 COUPE' 3 CABRIOLET	E 90 E 91 E 92 E 93	01/2005 > 2011 01/2005 > 2012 06/2006 > 2013 05/2006 > 2013
---	------------------------------	--

Asse Posteriore



Rear Axle



i 6) > 11/2009	7) 12/2009 >
-----------------------	--------------

OCAP	O.E.		i	
0404239	-	SILENTBLOCK BRACCIO SOSPENSIONE CONTROL ARM BUSHING		
0504244	33556764428	STABILIZZATORE STABILIZER LINK		
0704238	33326765425	BRACCIO SOSPENSIONE - ANTERIORE SUSPENSION CONTROL ARM - FRONT	6)	
0704239	33326763473	BRACCIO SOSPENSIONE - CENTRALE SUSPENSION CONTROL ARM - CENTRAL		
0704240	33326763471	BRACCIO SOSPENSIONE - POSTERIORE SUSPENSION CONTROL ARM - REAR		
0784238	33326782238	BRACCIO SOSPENSIONE - ANTERIORE SUSPENSION CONTROL ARM - FRONT	7)	
0794238	33326782237	BRACCIO SOSPENSIONE - ANTERIORE SUSPENSION CONTROL ARM - FRONT	7)	
1214170	33536765584	SILENTBLOCK BARRA STABILIZZATRICE STABILIZING BAR BUSHING		DIAM. 11 mm.
1215701	33326765425*	SILENTBLOCK BUSHING		
1215702	33326765425**	SILENTBLOCK BUSHING		
1215703	-	SILENTBLOCK BUSHING		

3

DESTRO
RIGHT

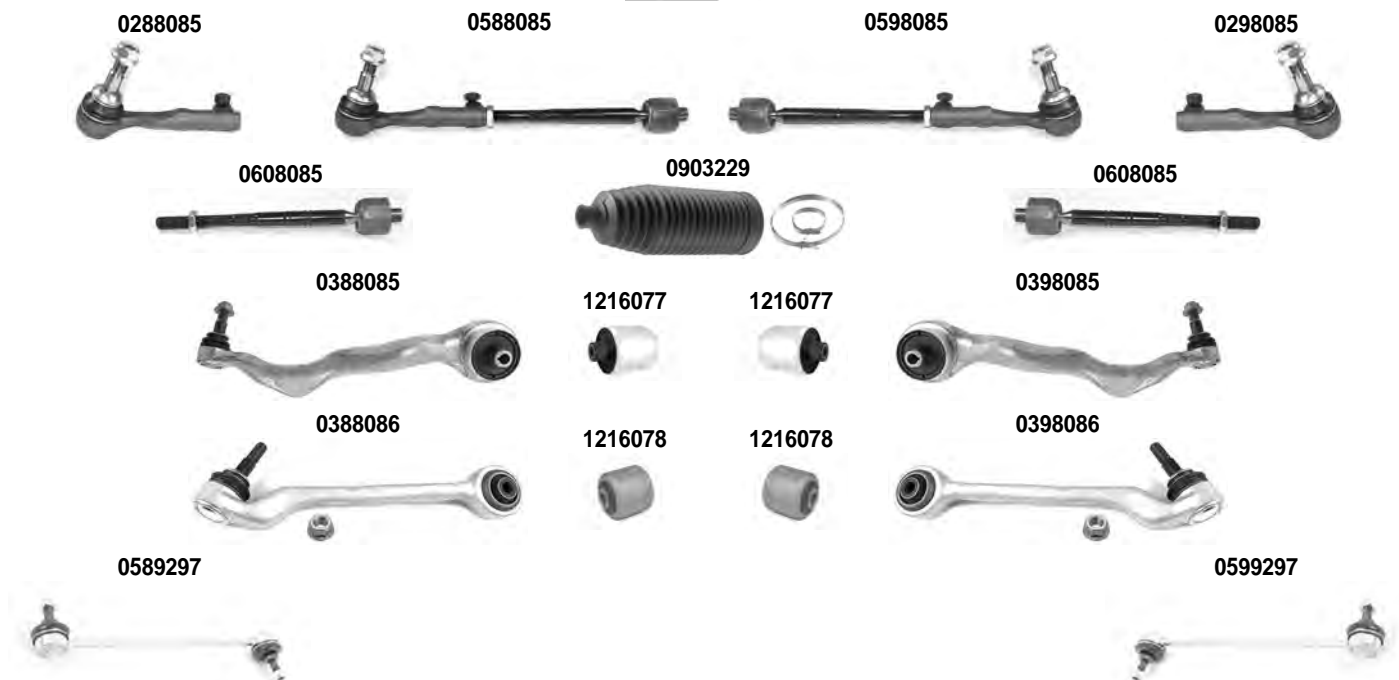


SINISTRO
LEFT

3 3 TOURING 3 GT	F 30 F 31 F 34	10/2011 > 10/2011 > 03/2013 >
------------------------	----------------------	-------------------------------------

Asse Anteriore

Front Axle



i 1) ECCETTO - EXCEPT: MOD. X 3) SOLO PER - ONLY FOR: MOD. F30 M3 (F80)	2) ECCETTO - EXCEPT: ZF
---	-------------------------

OCAP	O.E.		i	
0288085	32106799967	TESTA STERZO TIE ROD END	1)	RHT M14x1,5
0298085	32106799966	TESTA STERZO TIE ROD END	1)	RHT M14x1,5
0388085	31126855742	BRACCIO OSCILLANTE - INFERIORE - ALLUMINIO TRACK CONTROL ARM - LOWER - ALUMINIUM	1)	
0388086	31126852992	BRACCIO OSCILLANTE - INFERIORE - ALLUMINIO TRACK CONTROL ARM - LOWER - ALUMINIUM	1)	
0398085	31126855741	BRACCIO OSCILLANTE - INFERIORE - ALLUMINIO TRACK CONTROL ARM - LOWER - ALUMINIUM	1)	
0398086	31126852991	BRACCIO OSCILLANTE - INFERIORE - ALLUMINIO TRACK CONTROL ARM - LOWER - ALUMINIUM	1)	
0588085	32106799965	BARRA STERZO TIE ROD	1)	
0589297	31302284644	STABILIZZATORE STABILIZER LINK	3)	
0598085	32106799960	BARRA STERZO TIE ROD	1)	
0599297	31302284643	STABILIZZATORE STABILIZER LINK	3)	
0608085	32106799965 *	SNODO ASSIALE AXIAL JOINT	1)	RHT M14x1,5
0903229	32106870519	KIT CUFFIE STERZO STEERING GAITER KIT	2)	
1216077	31126855743	SILENTBLOCK BUSHING	1)	
1216078	31126852992 *	SILENTBLOCK BUSHING		

DESTRO
RIGHT

 SINISTRO
LEFT

3 3 TOURING 3 GT	F 30 F 31 F 34	10/2011 > 10/2011 > 03/2013 >
------------------------	----------------------	-------------------------------------

Asse Anteriore



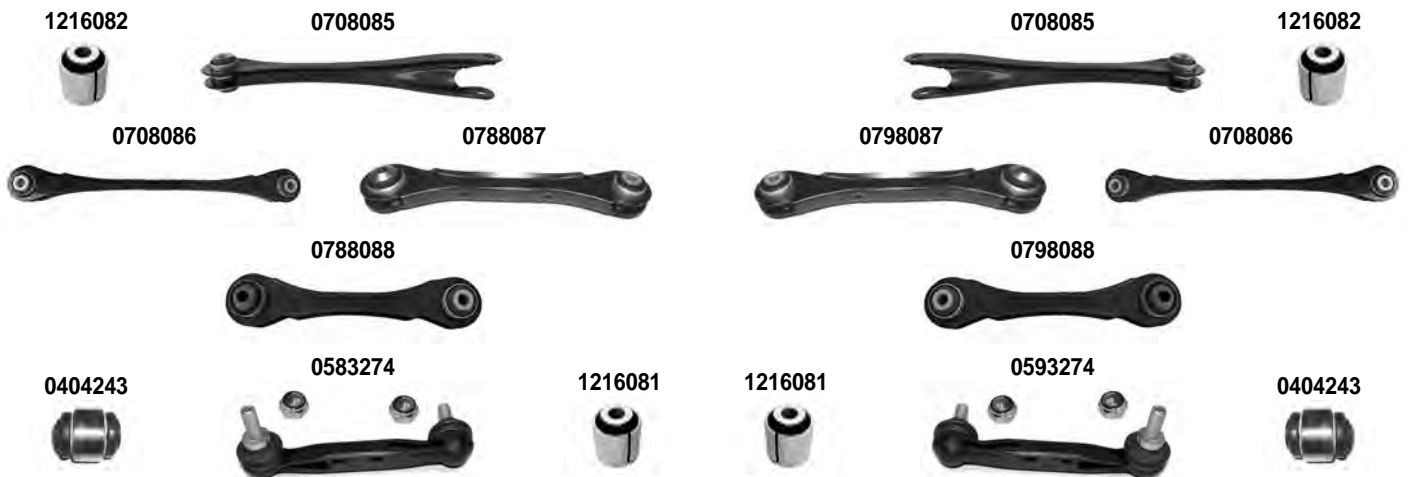
Front Axle



Asse Posteriore



Rear Axle



i 4) ECCETTO MOD. X - PER VEICOLI SENZA ADAPTIVE DRIVE - EXCEPT X MODELS - FOR VEHICLES WITHOUT ADAPTIVE DRIVE	5) PER MOD. X E PER VEICOLI CON ADAPTIVE DRIVE - FOR X MODELS - FOR VEHICLES WITH ADAPTIVE DRIVE
---	--

OCAP	O.E.		i	
0404243	33326792553	GIUNTO SUPPORTO RUOTA SUPPORT WHEEL JOINT		
0508085	31306792211	STABILIZZATORE STABILIZER LINK	4)	
0583274	33506785608	STABILIZZATORE STABILIZER LINK		
0588086	31306792212	STABILIZZATORE STABILIZER LINK	5)	
0593274	33506785607	STABILIZZATORE STABILIZER LINK		
0708085	33326792525	BRACCIO OSCILLANTE - INFERIORE TRACK CONTROL ARM - LOWER		
0708086	33326792533	BRACCIO OSCILLANTE - SUPERIORE TRACK CONTROL ARM - UPPER		
0788087	33326792544	BRACCIO OSCILLANTE - SUPERIORE TRACK CONTROL ARM - UPPER		
0788088	33326792540	BRACCIO OSCILLANTE - SUPERIORE TRACK CONTROL ARM - UPPER		
0798087	33326792543	BRACCIO OSCILLANTE - SUPERIORE TRACK CONTROL ARM - UPPER		
0798088	33326792539	BRACCIO OSCILLANTE - SUPERIORE TRACK CONTROL ARM - UPPER		
1216081	33326792551	SILENTBLOCK SUPPORTO RUOTA SUPPORT WHEEL BUSHING		
1216082	33326792525 *	SILENTBLOCK BRACCIO OSCILLANTE INFERIORE - ANTERIORE LOWER CONTROL ARM BUSHING - FRONT		

DESTRO
RIGHT



SINISTRO
LEFT

4 COUPE'
4 CABRIOLET

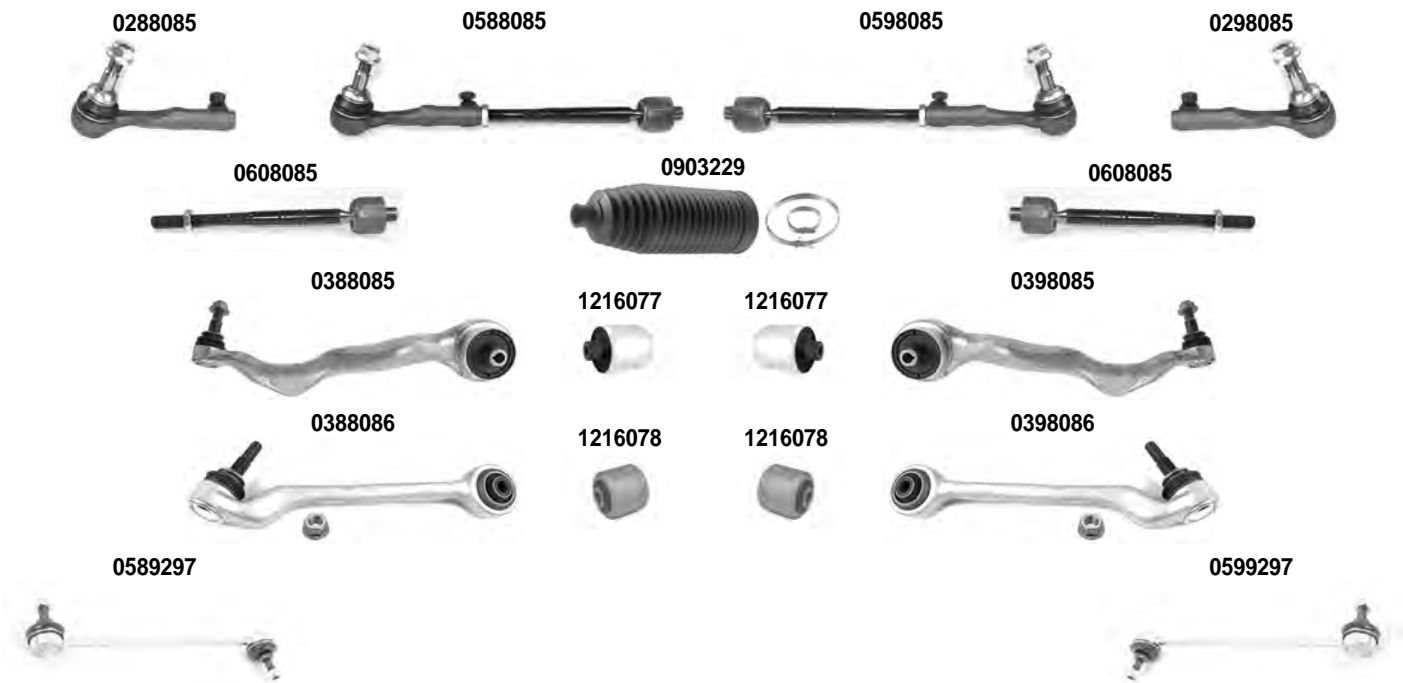
F 32
F 33

07/2013 >
10/2013

Asse Anteriore



Front Axle



i 1) ECCEPPO - EXCEPT: MOD. X
3) SOLO PER - ONLY FOR: MOD. F32-F33 M4 (F82-F83) 2) ECCEPPO - EXCEPT: ZF

OCAP	O.E.		i	
0288085	32106799967	TESTA STERZO TIE ROD END	1)	RHT M14x1,5
0298085	32106799966	TESTA STERZO TIE ROD END	1)	RHT M14x1,5
0388085	31126855742	BRACCIO OSCILLANTE - INFERIORE - ALLUMINIO TRACK CONTROL ARM - LOWER - ALUMINIUM	1)	
0388086	31126852992	BRACCIO OSCILLANTE - INFERIORE - ALLUMINIO TRACK CONTROL ARM - LOWER - ALUMINIUM	1)	
0398085	31126855741	BRACCIO OSCILLANTE - INFERIORE - ALLUMINIO TRACK CONTROL ARM - LOWER - ALUMINIUM	1)	
0398086	31126852991	BRACCIO OSCILLANTE - INFERIORE - ALLUMINIO TRACK CONTROL ARM - LOWER - ALUMINIUM	1)	
0588085	32106799965	BARRA STERZO TIE ROD	1)	
0589297	31302284644	STABILIZZATORE STABILIZER LINK	3)	
0598085	32106799960	BARRA STERZO TIE ROD	1)	
0599297	31302284643	STABILIZZATORE STABILIZER LINK	3)	
0608085	32106799965 *	SNODO ASSIALE AXIAL JOINT	1)	RHT M14x1,5
0903229	32106870519	KIT CUFFIE STERZO STEERING GAITER KIT	2)	
1216077	31126855743	SILENTBLOCK BUSHING	1)	
1216078	31126852992 *	SILENTBLOCK BUSHING		

DESTRO
RIGHT



SINISTRO
LEFT

4 COUPE'
4 CABRIOLET

F 32
F 33

07/2013 >
10/2013

Asse Anteriore



Front Axle



Asse Posteriore



Rear Axle



i 4) ECCETTO MOD. X - PER VEICOLI SENZA ADAPTIVE DRIVE - EXCEPT X MODELS - FOR VEHICLES WITHOUT ADAPTIVE DRIVE

5) PER MOD. X E PER VEICOLI CON ADAPTIVE DRIVE - FOR X MODELS - FOR VEHICLES WITH ADAPTIVE DRIVE

OCAP	O.E.		i	
0404243	33326792553	GIUNTO SUPPORTO RUOTA SUPPORT WHEEL JOINT		
0508085	31306792211	STABILIZZATORE STABILIZER LINK	4)	
0583274	33506785608	STABILIZZATORE STABILIZER LINK		
0588086	31306792212	STABILIZZATORE STABILIZER LINK	5)	
0593274	33506785607	STABILIZZATORE STABILIZER LINK		
0708085	33326792525	BRACCIO OSCILLANTE - INFERIORE TRACK CONTROL ARM - LOWER		
0708086	33326792533	BRACCIO OSCILLANTE - SUPERIORE TRACK CONTROL ARM - UPPER		
0788087	33326792544	BRACCIO OSCILLANTE - SUPERIORE TRACK CONTROL ARM - UPPER		
0788088	33326792540	BRACCIO OSCILLANTE - SUPERIORE TRACK CONTROL ARM - UPPER		
0798087	33326792543	BRACCIO OSCILLANTE - SUPERIORE TRACK CONTROL ARM - UPPER		
0798088	33326792539	BRACCIO OSCILLANTE - SUPERIORE TRACK CONTROL ARM - UPPER		
1216081	33326792551	SILENTBLOCK SUPPORTO RUOTA SUPPORT WHEEL BUSHING		
1216082	33326792525 *	SILENTBLOCK BRACCIO OSCILLANTE INFERIORE - ANTERIORE LOWER CONTROL ARM BUSHING - FRONT		

DESTRO
RIGHT



SINISTRO
LEFT

518 i > M 535 i
628 CSi > 635 Csi

E 12
E 24

1972 > 1981
> 1982

Asse Anteriore



Front Axle

0500265

0500267

0500267

0180266

0190267

0190267

0180266

0380268

0390268

1215004

1215002

1215002

1215004

1215424

1215424

OCAP	O.E.			
0180266	32211114843	TESTA STERZO TIE ROD END		RHT M16x1,5
0190267	32211114846	TESTA STERZO TIE ROD END		RHT M16x1,5
0380268	31121108385	BRACCIO OSCILLANTE TRACK CONTROL ARM		
0390268	31121108384	BRACCIO OSCILLANTE TRACK CONTROL ARM		
0500265	32211108081	BARRA STERZO TIE ROD		
0500267	32211124475	BARRA STERZO TIE ROD		
1215002	31121119260	SILENTBLOCK ESTREMO OUTER BUSHING		
1215004	31121112902	SILENTBLOCK CENTRALE CENTRAL BUSHING		
1215424	31351127390	BOCCOLA BARRA STABILIZZATRICE STABILIZING BAR BUSHING		DIAM. 19 mm.

DESTRO
RIGHT

 SINISTRO
LEFT

 518 i > M 5
628 CSi > M 635 CSi

 E 28
E 24

 1981 > 1988
1982 > 1990

Asse Anteriore



Front Axle

0500269



0500251



0180273



1215185



0500273



0300062



0190273



0190273



0500273



0300062



0180273



1215185


i 1) L H D
3) 09/86 >

2) R H D

OCAP	O.E.		i	
0180273	32211135820	TESTA STERZO TIE ROD END		RHT M14x1,5
0190273	32211135819	TESTA STERZO TIE ROD END		LHT M14x1,5
0300062	32211136450	BRACCIO STERZO STEERING ARM	3)	
0500251	32211129017	BARRA STERZO TIE ROD	2)	
0500269	32211129014	BARRA STERZO TIE ROD	1)	
0500273	32211135666	BARRA STERZO TIE ROD		
1215185	32211136452	SILENTBLOCK BRACCIO STERZO STEERING ARM BUSHING	3)	

DESTRO
RIGHT



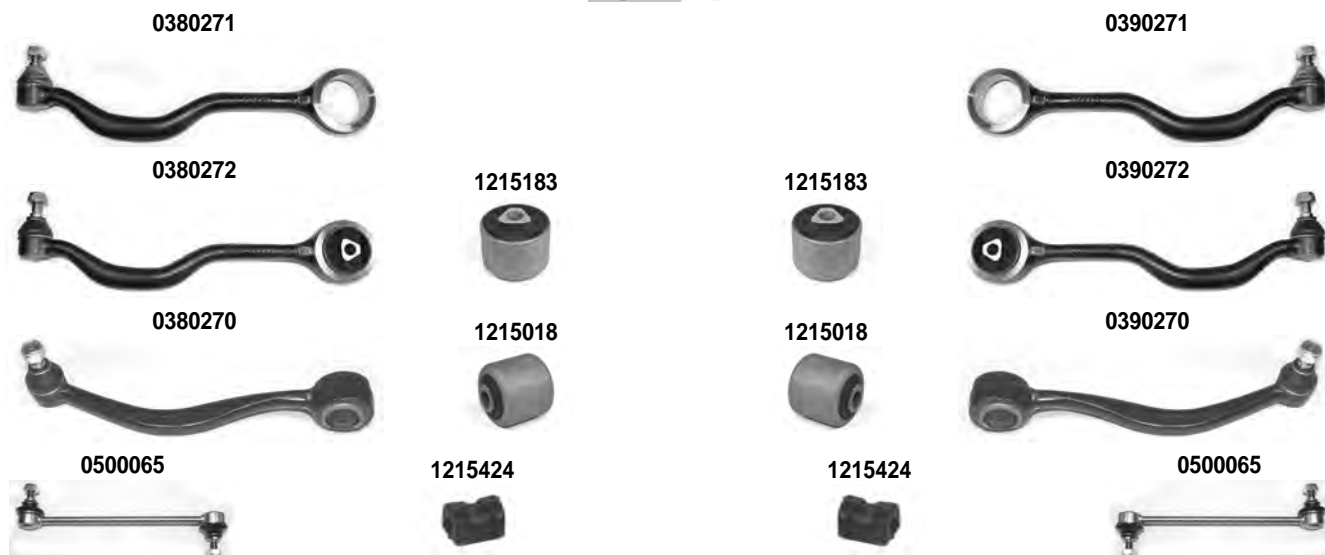
SINISTRO
LEFT

518 i > M5 628 CSi > M 635 Csi	E 28 E 24	1981 > 1988 1982 > 1990
-----------------------------------	--------------	----------------------------

Asse Anteriore



Front Axle



Asse Posteriore



Rear Axle



OCAP	O.E.			
0380270	31121139992	BRACCIO OSCILLANTE INFERIORE CON SILENTBLOCK TRACK CONTROL ARM - LOWER - WITH BUSHING		
0380271	31121125550	BRACCIO OSCILLANTE SUPERIORE SENZA SILENTBLOCK TRACK CONTROL ARM - UPPER - WITHOUT BUSHING		
0380272	31121125550 *	BRACCIO OSCILLANTE SUPERIORE - CON SILENBLOCK TRACK CONTROL ARM - UPPER - WITH BUSHING		
0390270	31121139991	BRACCIO OSCILLANTE INFERIORE CON SILENTBLOCK TRACK CONTROL ARM - LOWER - WITH BUSHING		
0390271	31121125551	BRACCIO OSCILLANTE SUPERIORE SENZA SILENTBLOCK TRACK CONTROL ARM - UPPER - WITHOUT BUSHING		
0390272	31121125551 *	BRACCIO OSCILLANTE SUPERIORE - CON SILENBLOCK TRACK CONTROL ARM - UPPER - WITH BUSHING		
0500065	31351134582	STABILIZZATORE STABILIZER LINK		
0500094	33321126476	STABILIZZATORE STABILIZER LINK		
0500377	33551126932	STABILIZZATORE - ALLUMINIO STABILIZER LINK - ALUMINIUM		
1215018	31121124622	SILENTBLOCK BUSHING		
1215183	31129058816	SILENTBLOCK BUSHING		
1215424	31351127390	BOCCOLA BARRA STABILIZZATRICE STABILIZING BAR BUSHING		DIAM. 19 mm.

DESTRO
RIGHT

 SINISTRO
LEFT

518 i > M5

E 34

1988 > 1995

Asse Anteriore



Front Axle

0502865



0502866



0502867



0502868



0180273



0500273



0190273



0190273



0500273



0180273



1215185



0300062



0300062



1215185


 1) L H D - ECETTO -EXCEPT: MOD iX
 3) L H D - SOLO PER - ONLY FOR: MOD. 518 i
 5) ECETTO - EXCEPT: MOD iX

 2) R H D - ECETTO -EXCEPT: MOD iX
 4) R H D - SOLO PER - ONLY FOR: MOD. 518 i

OCAP	O.E.			
0180273	32211135820	TESTA STERZO TIE ROD END	5)	RHT M14x1,5
0190273	32211135819	TESTA STERZO TIE ROD END	5)	LHT M14x1,5
0300062	32211136450	BRACCIO STERZO STEERING ARM		
0500273	32211135666	BARRA STERZO TIE ROD	5)	
0502865	32211138854	BARRA STERZO TIE ROD	1)	
0502866	32211138855	BARRA STERZO TIE ROD	2)	
0502867	32211138852	BARRA STERZO TIE ROD	3)	
0502868	32211138853	BARRA STERZO TIE ROD	4)	
1215185	32211136452	SILENTBLOCK BRACCIO STERZO STEERING ARM BUSHING		

DESTRO
RIGHT



SINISTRO
LEFT

518 i > M5

E 34

1988 > 1995

Asse Anteriore



Front Axle



OCAP	O.E.			
0380270	31121139992	BRACCIO OSCILLANTE INFERIORE CON SILENTBLOCK <i>LOWER TRACK CONTROL ARM WITH BUSHING</i>		
0382065	31121139988	BRACCIO OSCILLANTE CON SILENTBLOCK - ALLUMINIO <i>TRACK CONTROL ARM WITH BUSHING - ALUMINIUM</i>		
0382857	31121141098	BRACCIO OSCILLANTE SUPERIORE SENZA SILENTBLOCK <i>UPPER TRACK CONTROL ARM WITHOUT BUSHING</i>		
0382858	31121141098 *	BRACCIO OSCILLANTE SUPERIORE CON SILENTBLOCK <i>UPPER TRACK CONTROL ARM WITH BUSHING</i>		
0390270	31121139991	BRACCIO OSCILLANTE INFERIORE CON SILENTBLOCK <i>LOWER TRACK CONTROL ARM WITH BUSHING</i>		
0392065	31121139987	BRACCIO OSCILLANTE CON SILENTBLOCK - ALLUMINIO <i>TRACK CONTROL ARM WITH BUSHING - ALUMINIUM</i>		
0392857	31121141097	BRACCIO OSCILLANTE SUPERIORE SENZA SILENTBLOCK <i>UPPER TRACK CONTROL ARM WITHOUT BUSHING</i>		
0392858	31121141097 *	BRACCIO OSCILLANTE SUPERIORE CON SILENTBLOCK <i>UPPER TRACK CONTROL ARM WITH BUSHING</i>		
1215018	31121124622	SILENTBLOCK <i>BUSHING</i>		
1215250	31121136605	SILENTBLOCK <i>BUSHING</i>		
1215253	31121092019	SILENTBLOCK <i>BUSHING</i>		

DESTRO
RIGHT

 SINISTRO
LEFT

518 i > M5

E 34

1988 > 1995

Asse Anteriore



Front Axle

0500065



1215425



1214074



1214146



0500065



Asse Posteriore



Rear Axle

1215614



0502855



0500094



0500094



0502855



1215614



1214075



1214149


i 6)SOLO PER - ONLY FOR: MOD. 525 iX

OCAP	O.E.		i	
0500065	31351134582	STABILIZZATORE STABILIZER LINK		
0500094	33321126476	STABILIZZATORE STABILIZER LINK		
0502855	33551135307	STABILIZZATORE - ALLUMINIO STABILIZER LINK - ALUMINIUM		
1214074	31351132786	SILENTBLOCK BARRA STABILIZZATRICE STABILIZING BAR BUSHING	6)	DIAM. 24 mm.
1214075	33551131155	SILENTBLOCK BARRA STABILIZZATRICE STABILIZING BAR BUSHING		DIAM. 15 mm.
1214146	31351133738	SILENTBLOCK BARRA STABILIZZATRICE STABILIZING BAR BUSHING		DIAM. 24 mm.
1214149	33551138104	SILENTBLOCK BARRA STABILIZZATRICE STABILIZING BAR BUSHING		DIAM. 18 mm.
1215425	31351135805	SILENTBLOCK BARRA STABILIZZATRICE STABILIZING BAR BUSHING		DIAM. 23 mm.
1215614	33311129760	SILENTBLOCK BUSHING		

DESTRO
RIGHT



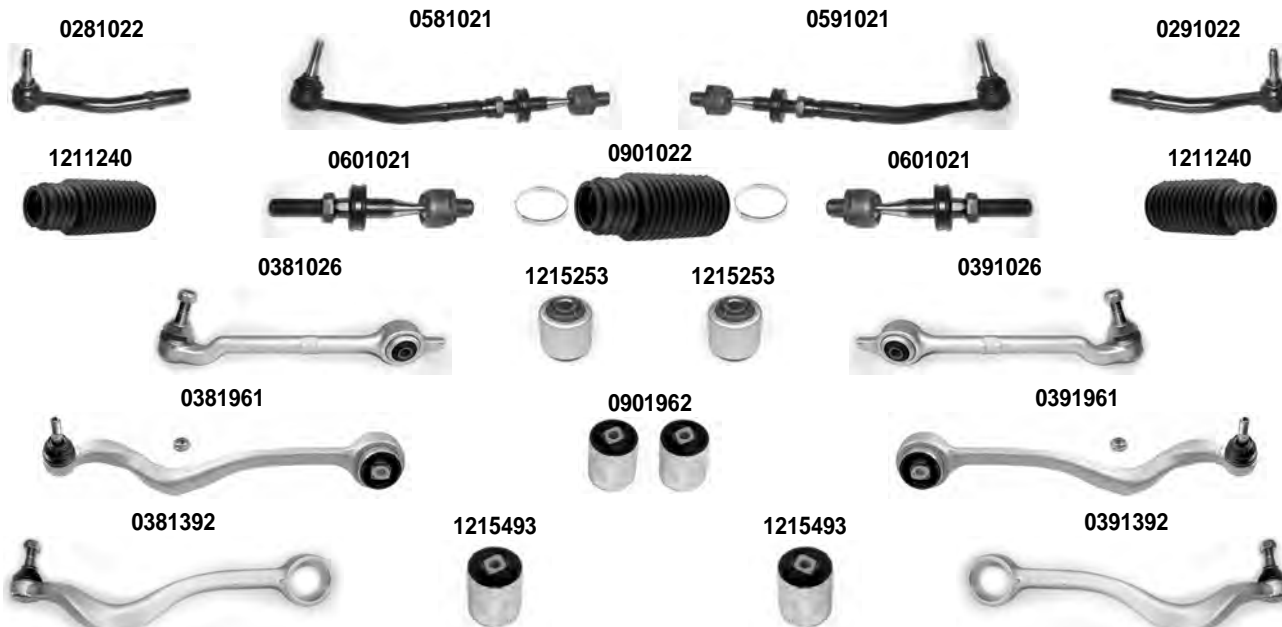
SINISTRO
LEFT

520 i/d > 530 i/d TOURING: 520 i/d > 530 i/d	E 39 E 39	1995 > 2002 1997 > 2004
---	--------------	----------------------------

Asse Anteriore



Front Axle



i 1) > 12/1996	2) 01/1997 >
-----------------------	--------------

OCAP	O.E.		i	
0281022	32111091770	TESTA STERZO TIE ROD END		RHT M16x1
0291022	32111091769	TESTA STERZO TIE ROD END		RHT M16x1
0381026	31121094234	BRACCIO OSCILLANTE - ALLUMINIO TRACK CONTROL ARM - ALUMINIUM		
0381392	31121141718	BRACCIO OSCILLANTE INFERIORE - ALLUMINIO TRACK CONTROL ARM - ALUMINIUM	2)	
0381961	31121092024	BRACCIO OSCILLANTE INFERIORE - ALLUMINIO TRACK CONTROL ARM - ALUMINIUM	1)	
0391026	31121094233	BRACCIO OSCILLANTE - ALLUMINIO TRACK CONTROL ARM - ALUMINIUM		
0391392	31121141717	BRACCIO OSCILLANTE INFERIORE - ALLUMINIO TRACK CONTROL ARM - ALUMINIUM	2)	
0391961	31121092023	BRACCIO OSCILLANTE INFERIORE - ALLUMINIO TRACK CONTROL ARM - ALUMINIUM	1)	
0581021	32111094674	BARRA STERZO TIE ROD		
0591021	32111094673	BARRA STERZO TIE ROD		
0601021	32111094674 *	SNODO ASSIALE AXIAL JOINT		RHT M16x1
0901022	-	KIT CUFFIA STERZO STEERING GAITER KIT		
0901962	31129068753	KIT SILENTBLOCK BUSHING KIT		
1211240	32131092876	CUFFIA STERZO STEERING GAITER		
1215253	31121092019	SILENTBLOCK BUSHING		
1215493	31129068753 *	SILENTBLOCK BUSHING		

DESTRO
RIGHT

 SINISTRO
LEFT

 520 i/d > 530 i/d
TOURING: 520 i/d > 530 i/d

 E 39
E 39

 1995 > 2002
1997 > 2004

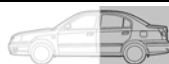
Asse Anteriore



Front Axle



Asse Posteriore



Rear Axle



3) > 12/2001		4) 12/2001 >		
OCAP	O.E.			
0381025	33326767832	BRACCIO SOSPENSIONE - ALLUMINIO CONTROL ARM - ALUMINIUM		
0391025	33326767831	BRACCIO SOSPENSIONE - ALLUMINIO CONTROL ARM - ALUMINIUM		
0501024	33551092292	STABILIZZATORE STABILIZER LINK		
0501034	33326768791	BRACCIO SOSPENSIONE - ALLUMINIO CONTROL ARM - ALUMINIUM	3)	
0501519	33326774795	BRACCIO SOSPENSIONE - ALLUMINIO CONTROL ARM - ALUMINIUM	4)	
0581023	31351095662	STABILIZZATORE STABILIZER LINK		
0591023	31351095661	STABILIZZATORE STABILIZER LINK		
0702348	33326770749	BRACCIO OSCILLANTE TRACK CONTROL ARM		
1214148	31351093108	SILENTBLOCK BARRA STABILIZZATRICE STABILIZING BAR BUSHING		DIAM. 22,5 mm.
1214151	33551093663	SILENTBLOCK BARRA STABILIZZATRICE STABILIZING BAR BUSHING		DIAM. 13 mm.
1214159	31351093263	SILENTBLOCK BARRA STABILIZZATRICE STABILIZING BAR BUSHING		DIAM. 24 mm.
1215209	-	SILENTBLOCK BUSHING		

DESTRO
RIGHT



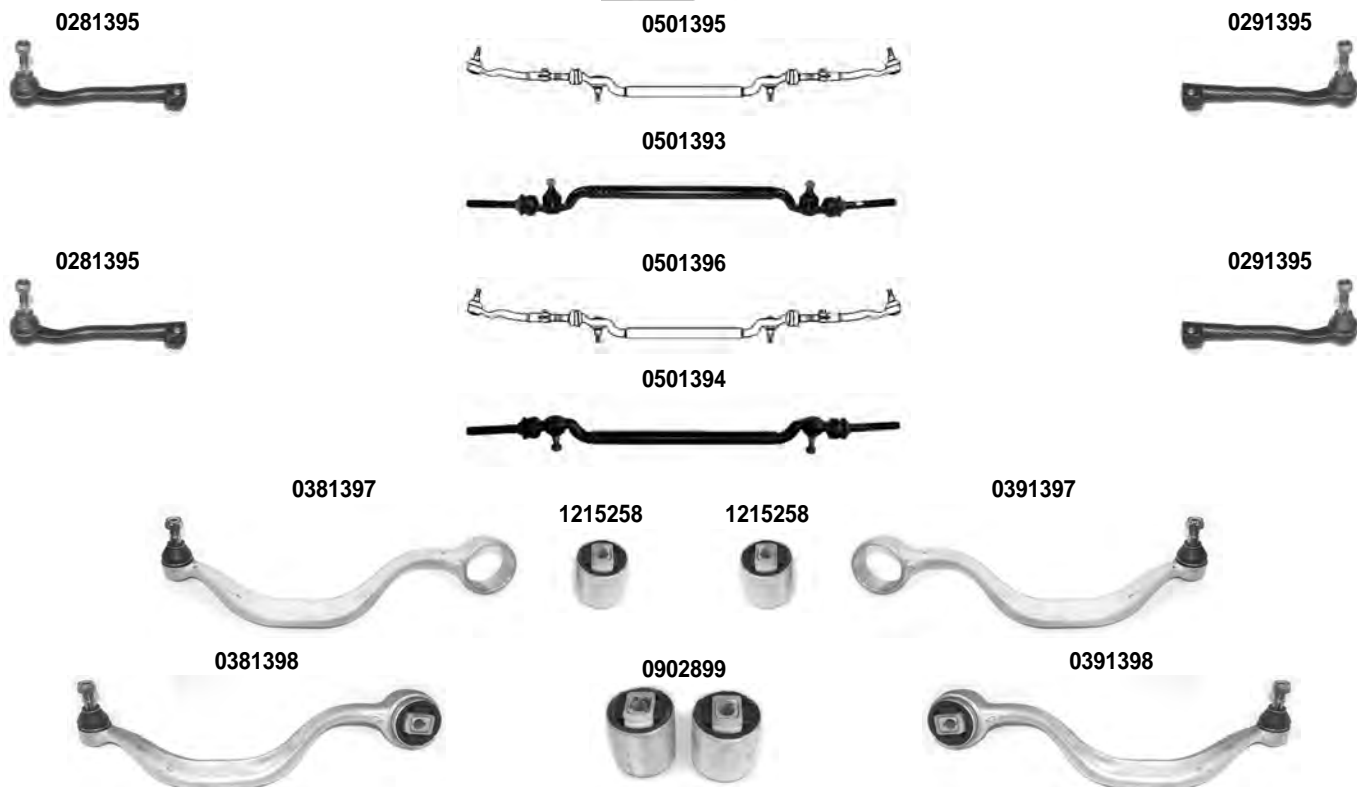
SINISTRO
LEFT

535 i - 540 i M 5 TOURING: 540 i	E 39 E 39 E 39	1995 > 2002 1997 > 2003 1997 > 2004
--	----------------------	---

Asse Anteriore



Front Axle



i 1) L H D	2) R H D
-------------------	----------

OCAP	O.E.		i	
0281395	32211091724	TESTA STERZO TIE ROD END		RHT M16x1,5
0291395	32211091723	TESTA STERZO TIE ROD END		RHT M16x1,5
0381397	31121092610	BRACCIO OSCILLANTE - SENZA SILENTBLOCK - ALLUMINIO TRACK CONTROL ARM - WITHOUT BUSHING - ALUMINIUM		
0381398	31121092610 *	BRACCIO OSCILLANTE - COMPLETO - ALLUMINIO COMPLETE TRACK CONTROL ARM - ALUMINIUM		
0391397	31121092609	BRACCIO OSCILLANTE - SENZA SILENTBLOCK - ALLUMINIO TRACK CONTROL ARM - WITHOUT BUSHING - ALUMINIUM		
0391398	31121092609 *	BRACCIO OSCILLANTE - COMPLETO - ALLUMINIO COMPLETE TRACK CONTROL ARM - ALUMINIUM		
0501393	32211096059	BARRA STERZO TIE ROD	1)	
0501394	32211096060	BARRA STERZO TIE ROD	2)	
0501395	-	BARRA STERZO CON TESTE STERZO TIE ROD WITH TIE ROD END	1)	
0501396	-	BARRA STERZO CON TESTE STERZO TIE ROD WITH TIE ROD END	2)	
0902899	31120006482	KIT SILENTBLOCK BUSHING KIT		
1215258	31129071085	SILENTBLOCK BUSHING		

DESTRO
RIGHT

 SINISTRO
LEFT

 535 i - 540 i
M 5
TOURING: 540 i

 E 39
E 39
E 39

 1995 > 2002
1997 > 2003
1997 > 2004

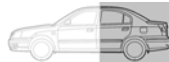
Asse Anteriore



Front Axle



Asse Posteriore



Rear Axle



3) > 12/2001		4) 12/2001 >		
OCAP	O.E.			
0381025	33326767832	BRACCIO SOSPENSIONE - ALLUMINIO CONTROL ARM - ALUMINIUM		
0382877	31121141962	BRACCIO SOSPENSIONE - ALLUMINIO CONTROL ARM - ALUMINIUM		
0391025	33326767831	BRACCIO SOSPENSIONE - ALLUMINIO CONTROL ARM - ALUMINIUM		
0392877	31121141961	BRACCIO SOSPENSIONE - ALLUMINIO CONTROL ARM - ALUMINIUM		
0501024	33551095532	STABILIZZATORE STABILIZER LINK		
0501034	33326768791	BRACCETTO SOSPENSIONE - ALLUMINIO CONTROL ARM - ALUMINIUM	3)	
0501519	33326774795	BRACCETTO SOSPENSIONE - ALLUMINIO CONTROL ARM - ALUMINIUM	4)	
0502878	31351095664	STABILIZZATORE STABILIZER LINK		
0702348	33326770749	STABILIZZATORE STABILIZER LINK		
1215209	-	SILENTBLOCK BUSHING		
1215253	31121092019	SILENTBLOCK BUSHING		

520 i > 545 i

DESTRO
RIGHT



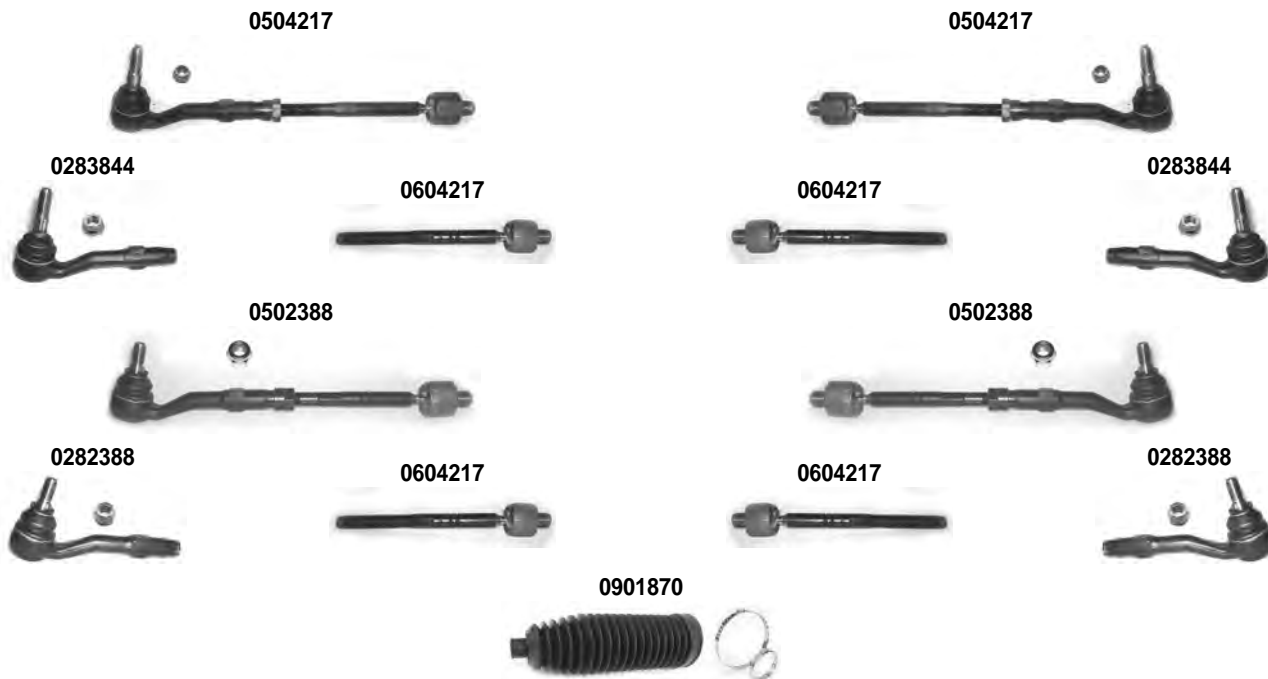
SINISTRO
LEFT

520 i > 545 i 525 d > 545 i	E 60 E 61	2002 > 2004 >
--------------------------------	--------------	------------------

Asse Anteriore



Front Axle



i	1) ECETTO - EXCEPT: MOD. X	2) SOLO PER - ONLY FOR: MOD. X
	3) SOLO MOD. X - SCATOLE STERZO ZF - ONLY FOR MOD. X - ZF STEERING BOXES	

OCAP	O.E.		i	
0282388	32216767860	TESTA STERZO TIE ROD END	2)	RHT M15x1,5
0283844	32106774361	TESTA STERZO TIE ROD END	1)	RHT M15x1,5
0502388	32216767861	BARRA STERZO TIE ROD	2)	
0504217	32106774347	BARRA STERZO TIE ROD	1)	
0604217	32106774347 *	SNODO ASSIALE AXIAL JOINT		RHT M15x1,5
0901870	32136751026	KIT CUFFIE STERZO STEERING GAITER KIT	3)	

DESTRO
RIGHT

 SINISTRO
LEFT

 520 i > 545 i
525 d > 545 i

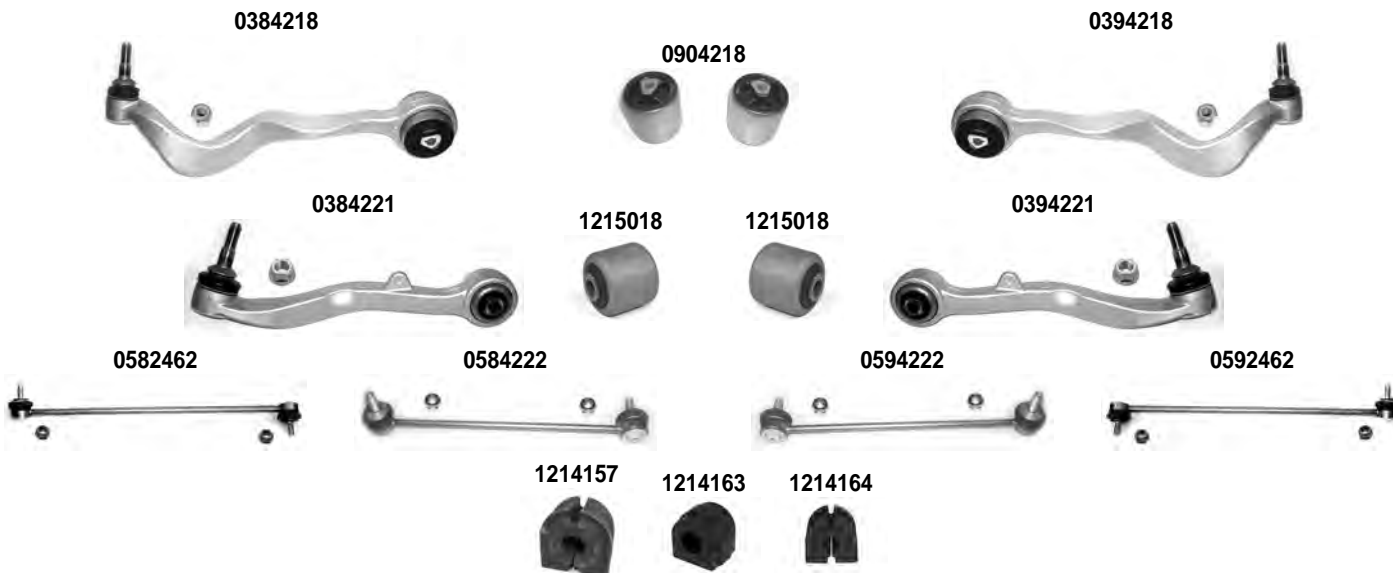
 E 60
E 61

 2002 >
2004 >

Asse Anteriore



Front Axle



i 1) ECCEPPO - EXCEPT: MOD. X	2) SOLO PER - ONLY FOR: MOD. X
--------------------------------------	--------------------------------

OCAP	O.E.		i	
0384218	31126765996	BRACCIO OSCILLANTE - ALLUMINIO TRACK CONTROL ARM - ALUMINIUM	1)	
0384221	31126768298	BRACCIO SOSPENSIONE - ALLUMINIO CONTROL ARM - ALUMINIUM	1)	
0394218	31126765995	BRACCIO OSCILLANTE - ALLUMINIO TRACK CONTROL ARM - ALUMINIUM	1)	
0394221	31126768297	BRACCIO SOSPENSIONE - ALLUMINIO CONTROL ARM - ALUMINIUM	1)	
0582462	31306781550	STABILIZZATORE STABILIZER LINK	2)	
0584222	31306781548	STABILIZZATORE STABILIZER LINK		
0592462	31306781549	STABILIZZATORE STABILIZER LINK	2)	
0594222	31306781547	STABILIZZATORE STABILIZER LINK		
0904218	31120305612	KIT SILENTBLOCK BUSHING KIT	1)	
1214157	31356761591	SILENTBLOCK BARRA STABILIZZATRICE STABILIZING BAR BUSHING		DIAM. 24.6 mm.
1214163	31356770003	SILENTBLOCK BARRA STABILIZZATRICE STABILIZING BAR BUSHING		DIAM. 25.2 mm.
1214164	31356764113	SILENTBLOCK BARRA STABILIZZATRICE STABILIZING BAR BUSHING		DIAM. 25 mm.
1215018	31121124622	SILENTBLOCK BRACCIO CONTROL ARM BUSHING		

520 i > 545 i

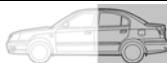
DESTRO
RIGHT



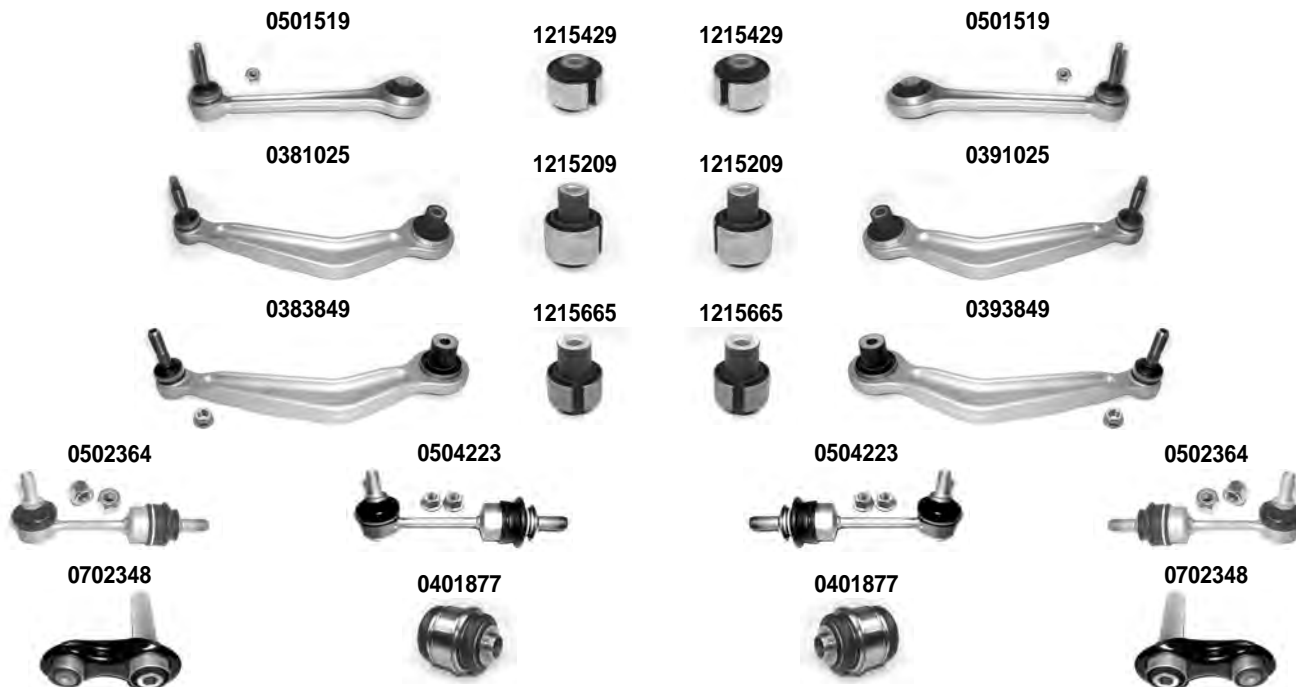
SINISTRO
LEFT

520 i > 545 i 525 d > 545 i	E 60 E 61	2002 > 2004 >
--------------------------------	--------------	------------------

Asse Posteriore



Rear Axle



i 4) 12/2003 > 02/2005 6) MODELLI SENZA DYNAMIC DRIVE - EXCEPT DYNAMIC DRIVE MODELS	5) 02/2005 > 7) MODELLI CON DYNAMIC DRIVE - DYNAMIC DRIVE MODELS
---	---

OCAP	O.E.		i	
0381025	33326767832	BRACCIO SOSPENSIONE - ALLUMINIO CONTROL ARM - ALUMINIUM	4)	
0383849	33306772242	BRACCIO SOSPENSIONE - ALLUMINIO CONTROL ARM - ALUMINIUM	5)	
0391025	33326767831	BRACCIO SOSPENSIONE - ALLUMINIO CONTROL ARM - ALUMINIUM	4)	
0393849	33306772241	BRACCIO SOSPENSIONE - ALLUMINIO CONTROL ARM - ALUMINIUM	5)	
0401877	33321095631	GIUNTO SOSPENSIONE SWING ARM JOINT		
0501519	33326774795	STABILIZZATORE STABILIZER LINK		
0502364	33506781537	STABILIZZATORE STABILIZER LINK	7)	
0504223	33506781540	STABILIZZATORE STABILIZER LINK	6)	
0702348	33326770749	BRACCIO OSCILLANTE TRACK CONTROL ARM		
1215209	-	SILENTBLOCK BUSHING		
1215429	-	SILENTBLOCK BUSHING		
1215665	-	SILENTBLOCK BUSHING	5)	

DESTRO
RIGHT

 SINISTRO
LEFT

 520d > 550i
520Li > 535Li

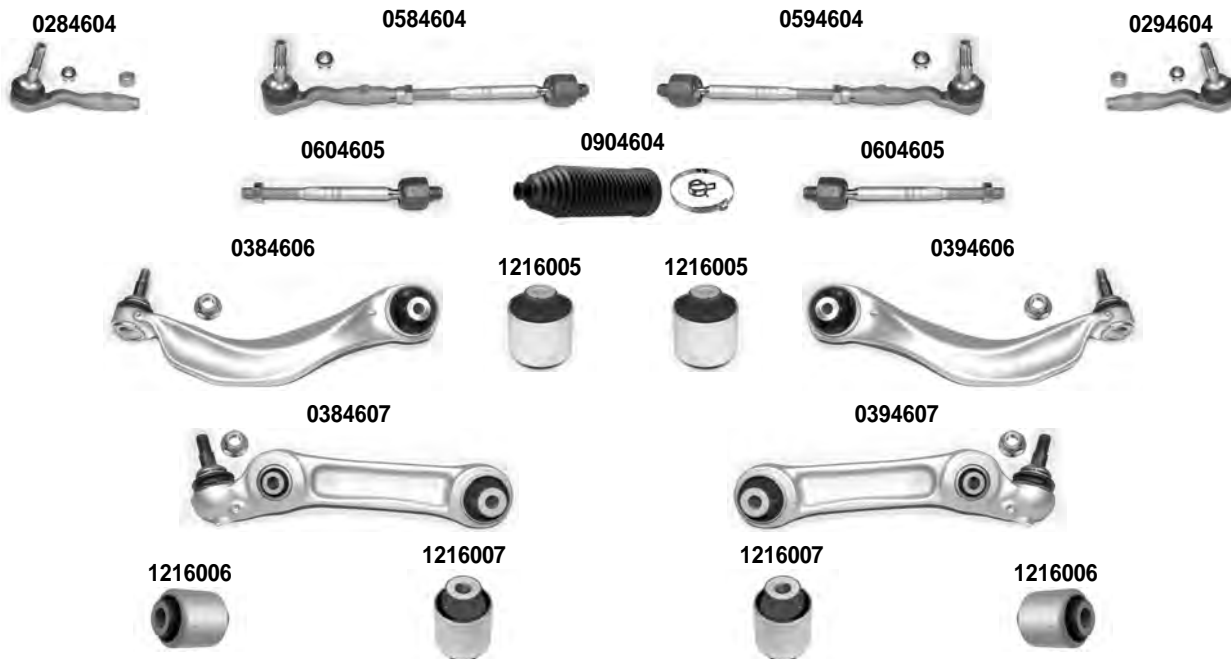
 F 10
F 18

 03/2010 > 2016
2010 > 2016

Asse Anteriore



Front Axle



1) ZF		2) ECCETTO - EXCEPT: MOD. X		
OCAP	O.E.			
0284604	32106784796	TESTA STERZO TIE ROD END		RHT M14x1,5
0294604	32106784790	TESTA STERZO TIE ROD END		RHT M14x1,5
0384606	31126775972	BRACCIO OSCILLANTE - INFERIORE - ALLUMINIO TRACK CONTROL ARM - LOWER - ALUMINIUM	2)	
0384607	31126794204	BRACCIO OSCILLANTE - INFERIORE - ALLUMINIO TRACK CONTROL ARM - LOWER - ALUMINIUM	2)	
0394606	31126775971	BRACCIO OSCILLANTE - INFERIORE - ALLUMINIO TRACK CONTROL ARM - LOWER - ALUMINIUM	2)	
0394607	31126794203	BRACCIO OSCILLANTE - INFERIORE - ALLUMINIO TRACK CONTROL ARM - LOWER - ALUMINIUM	2)	
0584604	32106784719	BARRA STERZO TIE ROD		
0594604	32106784716	BARRA STERZO TIE ROD		
0604605	32106784719 *	SNODO ASSIALE AXIAL JOINT		RHT M14x1,5
0904604	32106791561	KIT CUFFIA STERZO STEERING GAITER KIT	1)	
1216005	31126775972 *	SILENTBLOCK BUSHING	2)	
1216006	31126784569	SILENTBLOCK - CENTRALE CENTRAL BUSHING		
1216007	31126791455	SILENTBLOCK - ESTREMO OUTER BUSHING		

520d > 550i

DESTRO
RIGHT



SINISTRO
LEFT

520d > 550i
520Li > 535Li

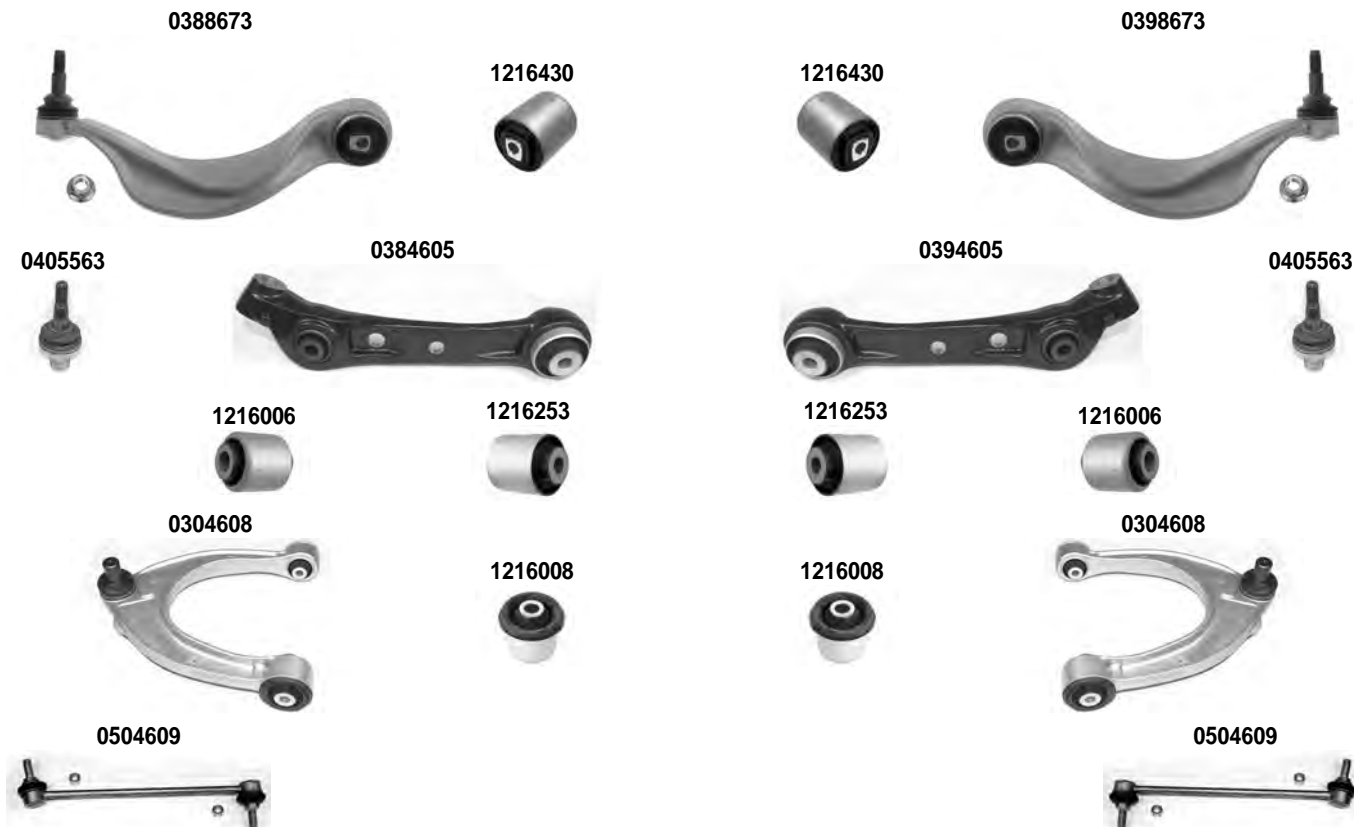
F 10
F 18

03/2010 > 2016
2010 > 2016

Asse Anteriore



Front Axle



i 3) SOLO PER - ONLY FOR: MOD. X 3) SOLO PER - ONLY FOR: MOD. X
3) SOLO PER - ONLY FOR: MOD. X 3) SOLO PER - ONLY FOR: MOD. X

OCAP	O.E.		i	
0304608	31126775967	BRACCIO OSCILLANTE - SUPERIORE - ALLUMINIO TRACK CONTROL ARM - UPPER - ALUMINIUM		
0384605	31126777744	BRACCIO OSCILLANTE - INFERIORE - ACCIAIO TRACK CONTROL ARM - LOWER - STEEL	3)	
0388673	31126777734	BRACCIO OSCILLANTE - INFERIORE - ALLUMINIO TRACK CONTROL ARM - LOWER - ALUMINIUM	3)	
0394605	31126777743	BRACCIO OSCILLANTE - INFERIORE - ACCIAIO TRACK CONTROL ARM - LOWER - STEEL	3)	
0398673	31126777733	BRACCIO OSCILLANTE - INFERIORE - ALLUMINIO TRACK CONTROL ARM - LOWER - ALUMINIUM	3)	
0405563	32126777753	SNODO SOSPENSIONE BALL JOINT	3)	
0504609	31356777319	STABILIZZATORE STABILIZER LINK		
1216006	31126784569	SILENTBLOCK - CENTRALE CENTRAL BUSHING		
1216008	31126775967 *	SILENTBLOCK BUSHING		
1216253	31126850607	SILENTBLOCK - ESTREMO OUTER BUSHING	3)	
1216430	31126777653	SILENTBLOCK BUSHING	3)	

DESTRO
RIGHT

 SINISTRO
LEFT

 520d > 550i
520Li > 535Li

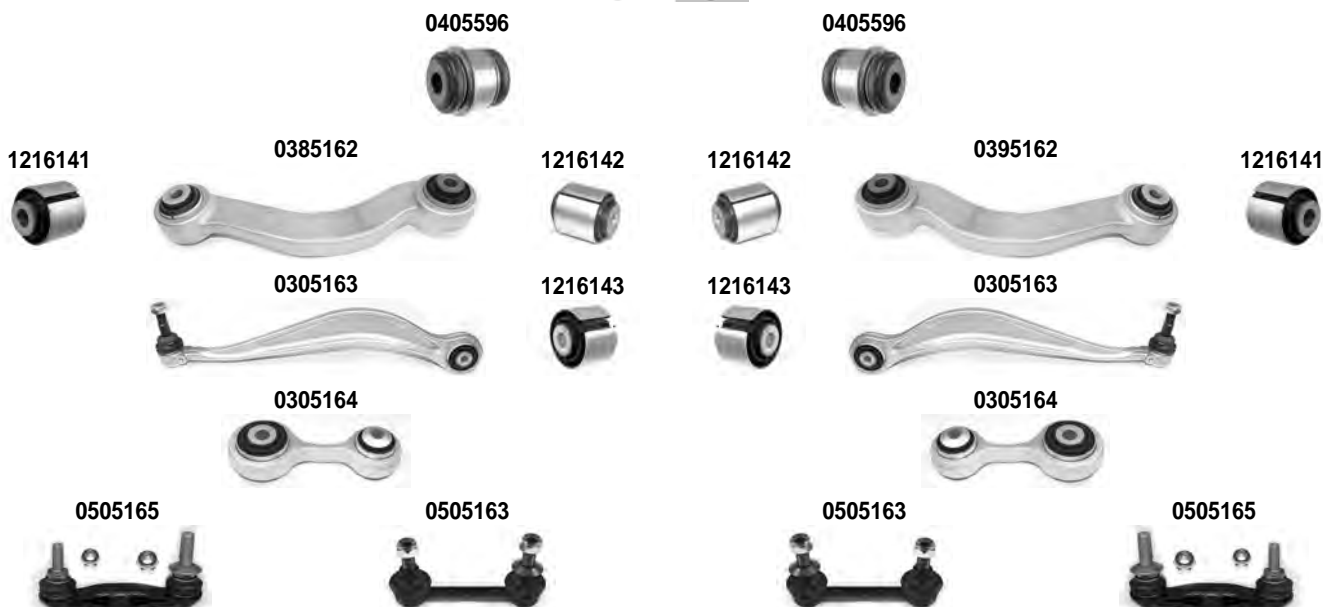
 F 10
F 18

 03/2010 > 2016
2010 > 2016

Asse Posteriore



Rear Axle



i 2) ECCETTO - EXCEPT: MOD. X
 5) SOLO PER - ONLY FOR : MOD. DINAMIC DRIVE

4) ECCETTO - EXCEPT: MOD. DINAMIC DRIVE

OCAP	O.E.		i	
0305163	33326775902	BRACCIO OSCILLANTE - ALLUMINIO TRACK CONTROL ARM - ALUMINIUM	2)	
0305164	33326775683	BRACCIO OSCILLANTE - ALLUMINIO TRACK CONTROL ARM - ALUMINIUM		
0385162	33326782136	BRACCIO OSCILLANTE - ALLUMINIO TRACK CONTROL ARM - ALUMINIUM		
0395162	33326782135	BRACCIO OSCILLANTE - ALLUMINIO TRACK CONTROL ARM - ALUMINIUM		
0405596	33326780438	GIUNTO SOSPENSIONE SWING ARM JOINT		
0505163	37106775189	STABILIZZATORE STABILIZER LINK	5)	
0505165	33556777635	STABILIZZATORE - RESINA STABILIZER LINK - RESIN	4)	
1216141	33326782136 *	SILENTBLOCK ESTERNO OUTER BUSHING		
1216142	33326782136 **	SILENTBLOCK INTERNO INNER BUSHING		
1216143	33326775680	SILENTBLOCK BUSHING		

5

DESTRO
RIGHT



SINISTRO
LEFT

5
5 TOURING

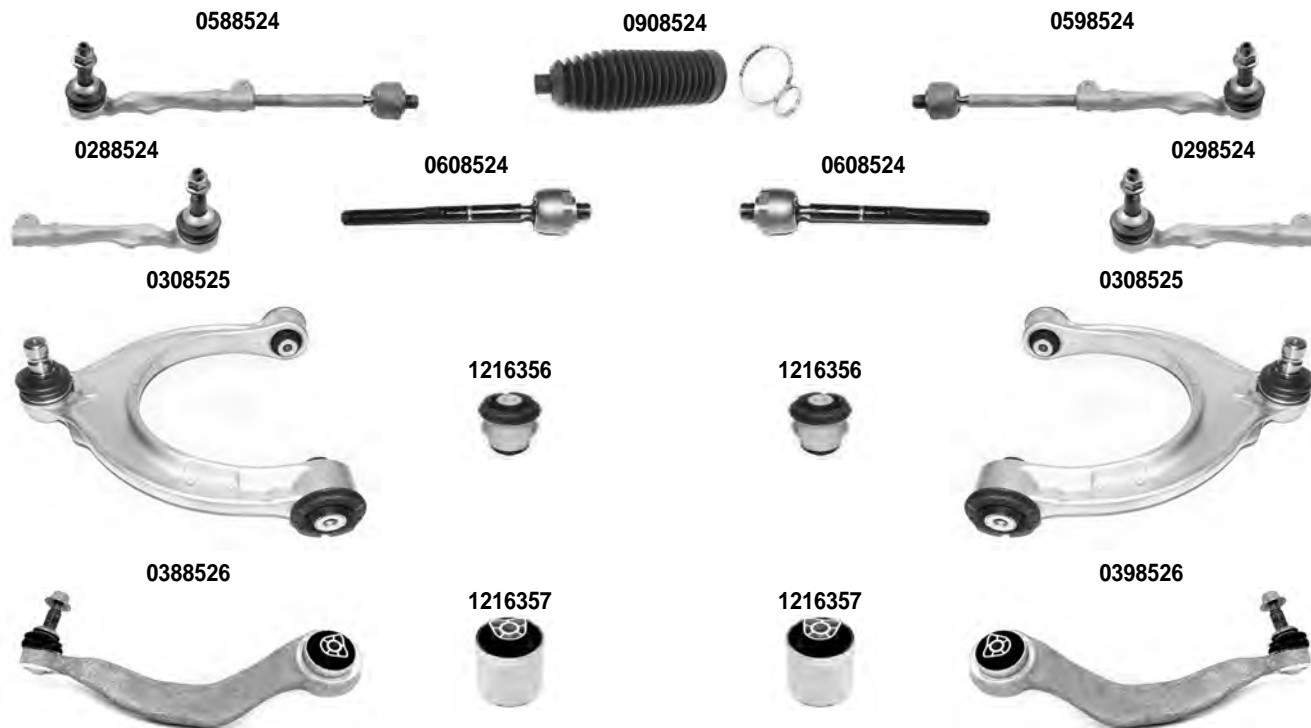
G30-F90
G31

09/2016 >
03/2017 >

Asse Anteriore



Front Axle



i 1) ECCEETTO - EXCEPT: X-DRIVE

OCAP	O.E.		i	
0288524	32106868687	TESTA STERZO TIE ROD END		RHT M14x1,5
0298524	32106868685	TESTA STERZO TIE ROD END		RHT M14x1,5
0308525	31106861185	BRACCIO OSCILLANTE - ALLUMINIO TRACK CONTROL ARM - ALUMINIUM		
0388526	31106861162	BRACCIO OSCILLANTE - ALLUMINIO TRACK CONTROL ARM - ALUMINIUM	1)	
0398526	31106861161	BRACCIO OSCILLANTE - ALLUMINIO TRACK CONTROL ARM - ALUMINIUM	1)	
0588524	32106868689	BARRA STERZO TIE ROD		
0598524	32106868688	BARRA STERZO TIE ROD		
0608524	32106868689 *	SNODO ASSIALE AXIAL JOINT		RHT M14x1,5
0908524	32106876979	KIT CUFFIA STERZO STEERING GAITER KIT		
1216356	31106864374	SILENTBLOCK BUSHING		
1216357	31126861187	SILENTBLOCK BUSHING	1)	

DESTRO
RIGHT



SINISTRO
LEFT

5
5 TOURING

G30-F90
G31

09/2016 >
03/2017 >

Asse Anteriore



Front Axle



Asse Posteriore



Rear Axle



i 1) ECCETTO - EXCEPT: X-DRIVE

OCAP	O.E.		i	
0388527	31106861178	BRACCIO OSCILLANTE - ALLUMINIO TRACK CONTROL ARM - ALUMINIUM	1)	
0388529	33326870536	BRACCIO OSCILLANTE - ALLUMINIO TRACK CONTROL ARM - ALUMINIUM	1)	
0398527	31106861177	BRACCIO OSCILLANTE - ALLUMINIO TRACK CONTROL ARM - ALUMINIUM	1)	
0398529	33326870535	BRACCIO OSCILLANTE - ALLUMINIO TRACK CONTROL ARM - ALUMINIUM	1)	
0508528	31306861483	STABILIZZATORE STABILIZER LINK	1)	
0508532	33506861482	STABILIZZATORE STABILIZER LINK		
0708531	33326861114	BRACCIO OSCILLANTE - ALLUMINIO TRACK CONTROL ARM - ALUMINIUM		
0788530	33326861126	BRACCIO OSCILLANTE - ALLUMINIO TRACK CONTROL ARM - ALUMINIUM		
0798530	33326861125	BRACCIO OSCILLANTE - ALLUMINIO TRACK CONTROL ARM - ALUMINIUM		
1216006	31126784569	SILENTBLOCK - CENTRALE CENTRAL BUSHING	1)	
1216358	31126861156	SILENTBLOCK - ESTREMO OUTER BUSHING	1)	

DESTRO
RIGHT



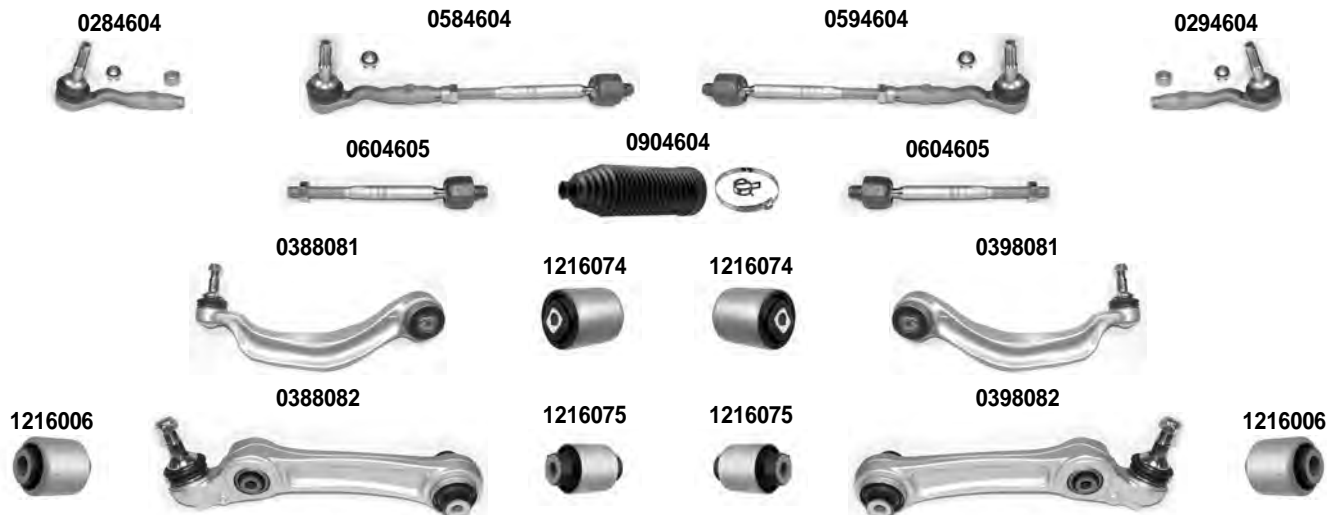
SINISTRO
LEFT

GRAN TURISMO - 535i > 550i	F 07	10/2009 > 2017
----------------------------	------	----------------

Asse Anteriore



Front Axle



i 1) ZF	2) ECETTO - EXCEPT: MOD. X
----------------	----------------------------

OCAP	O.E.		i	
0284604	32106784796	TESTA STERZO TIE ROD END		RHT M14x1,5
0294604	32106784790	TESTA STERZO TIE ROD END		RHT M14x1,5
0388081	31126775960	BRACCIO OSCILLANTE - INFERIORE - ALLUMINIO TRACK CONTROL ARM - LOWER - ALUMINIUM	2)	
0388082	31126798108	BRACCIO OSCILLANTE - INFERIORE - ALLUMINIO TRACK CONTROL ARM - LOWER - ALUMINIUM	2)	
0398081	31126775959	BRACCIO OSCILLANTE - INFERIORE - ALLUMINIO TRACK CONTROL ARM - LOWER - ALUMINIUM	2)	
0398082	31126798107	BRACCIO OSCILLANTE - INFERIORE - ALLUMINIO TRACK CONTROL ARM - LOWER - ALUMINIUM	2)	
0584604	32106784719	BARRA STERZO TIE ROD		
0594604	32106784716	BARRA STERZO TIE ROD		
0604605	32106784719 *	SNODO ASSIALE AXIAL JOINT		RHT M14x1,5
0904604	32106791561	KIT CUFFIA STERZO STEERING GAITER KIT	1)	
1216006	31126784569	SILENTBLOCK CENTRALE CENTRAL BUSHING		
1216074	31126775145	SILENTBLOCK BUSHING		
1216075	-	SILENTBLOCK ESTREMO OUTER BUSHING		

DESTRO
RIGHT



SINISTRO
LEFT

GRAN TURISMO - 535i > 550i

F 07

10/2009 > 2017

Asse Anteriore



Front Axle

0405563



0385563



0395563



0405563



1216006



1216253



1216253



1216006



0304608



1216008



1216008



0304608



0504609



0504609



i 3) SOLO PER - ONLY FOR: MOD. X

OCAP	O.E.		i	
0304608	32106775967	BRACCIO OSCILLANTE - SUPERIORE - ALLUMINIO TRACK CONTROL ARM - UPPER - ALUMINIUM		
0385563	31126777740	BRACCIO OSCILLANTE - INFERIORE - ALLUMINIO TRACK CONTROL ARM - LOWER - ALUMINIUM	3)	
0395563	31126777739	BRACCIO OSCILLANTE - INFERIORE - ALLUMINIO TRACK CONTROL ARM - LOWER - ALUMINIUM	3)	
0405563	31126777753	SNODO SOSPENSIONE BALL JOINT	3)	
0504609	31356777319	STABILIZZATORE STABILIZER LINK		
1216006	31126784569	SILENTBLOCK - CENTRALE CENTRAL BUSHING		
1216008	32106775967 *	SILENTBLOCK BUSHING		
1216253	31126850607	SILENTBLOCK - ESTREMO OUTER BUSHING		

GRAN TURISMO - 535i > 550i

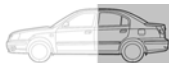
DESTRO
RIGHT



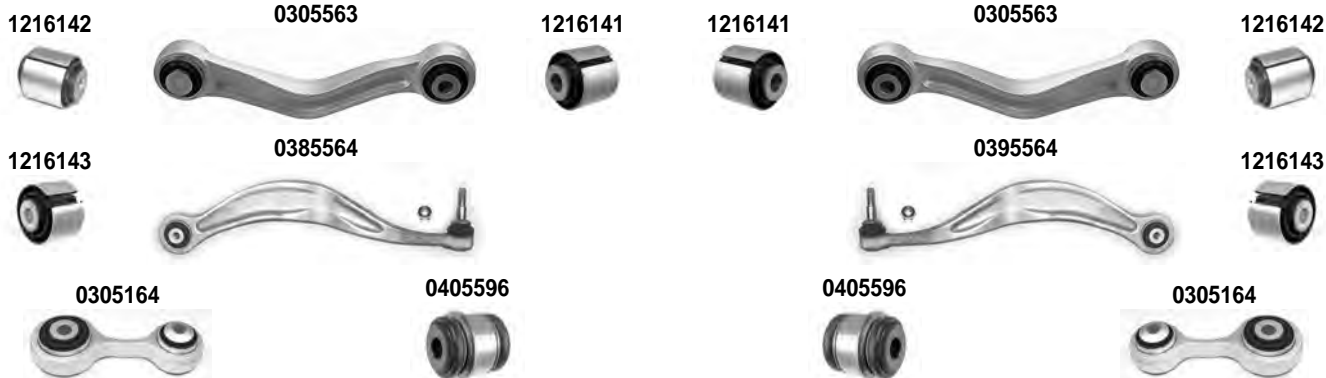
SINISTRO
LEFT

GRAN TURISMO - 535i > 550i	F 07	10/2009 > 2017
----------------------------	------	----------------

Asse Posteriore



Rear Axle



OCAP	O.E.		
0305164	33326775683	BRACCIO OSCILLANTE - INFERIORE - ALLUMINIO <i>TRACK CONTROL ARM - LOWER - ALUMINIUM</i>	
0305563	33326779851	BRACCIO OSCILLANTE - SUPERIORE - ALLUMINIO <i>TRACK CONTROL ARM - UPPER - ALUMINIUM</i>	
0385564	33326779848	BRACCIO OSCILLANTE - SUPERIORE - ALLUMINIO <i>TRACK CONTROL ARM - UPPER - ALUMINIUM</i>	
0395564	33326779847	BRACCIO OSCILLANTE - SUPERIORE - ALLUMINIO <i>TRACK CONTROL ARM - UPPER - ALUMINIUM</i>	
0405596	33326780438	GIUNTO SNODATO - BRACCIO SOSPENSIONE <i>SWING ARM JOINT - CONTROL ARM</i>	
1216141	33326779851 *	SILENTBLOCK ESTERNO <i>OUTER BUSHING</i>	
1216142	33326779851 **	SILENTBLOCK INTERNO <i>INNER BUSHING</i>	
1216143	33326775680	SILENTBLOCK <i>BUSHING</i>	

DESTRO
RIGHT

 SINISTRO
LEFT

630 i > 650 i

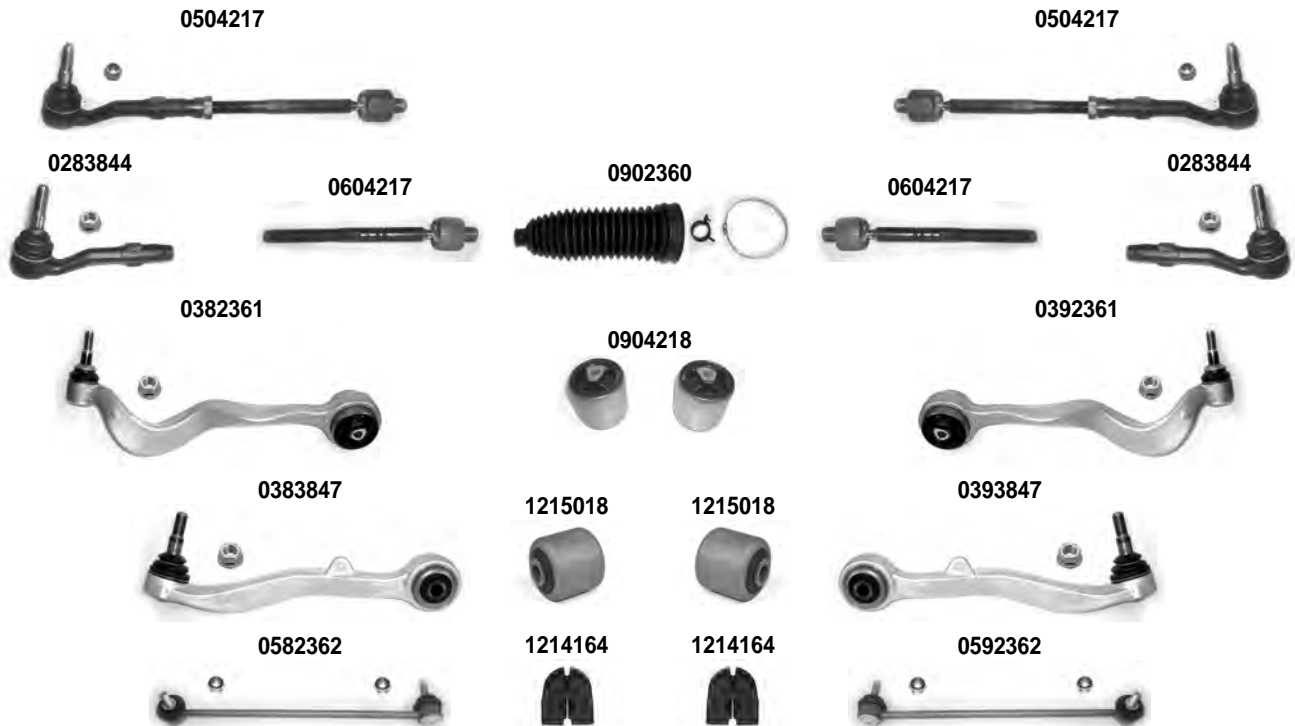
E 63 - E 64

2004 >

Asse Anteriore



Front Axle



OCAP	O.E.		i	
0283844	32106774361	TESTA STERZO TIE ROD END		RHT M15x1,5
0382361	31126765998	BRACCIO OSCILLANTE - ANTERIORE - ALLUMINIO TRACK CONTROL ARM - FRONT - ALUMINIUM		
0383847	31126755836	BRACCIO OSCILLANTE - POSTERIORE - ALLUMINIO TRACK CONTROL ARM - REAR - ALUMINIUM		
0392361	31126765997	BRACCIO OSCILLANTE - ANTERIORE - ALLUMINIO TRACK CONTROL ARM - FRONT - ALUMINIUM		
0393847	31126755835	BRACCIO OSCILLANTE - POSTERIORE - ALLUMINIO TRACK CONTROL ARM - REAR - ALUMINIUM		
0504217	32106774347	BARRA STERZO TIE ROD		
0582362	31356769664	STABILIZZATORE STABILIZER LINK		
0592362	31356769663	STABILIZZATORE STABILIZER LINK		
0604217	32106774347 *	SNODO ASSIALE AXIAL JOINT		RHT M15x1,5
0902360	32106765782	KIT CUFFIE STERZO STEERING GAITER KIT		
0904218	31120305612	KIT SILENTBLOCK BUSHING KIT		
1214164	31356764113	SILENTBLOCK BARRA STABILIZZATRICE STABILIZING BAR BUSHING		DIAM. 25 mm.
1215018	31121124622	SILENTBLOCK BUSHING		

630 i > 650 i

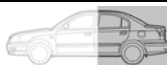
DESTRO
RIGHT



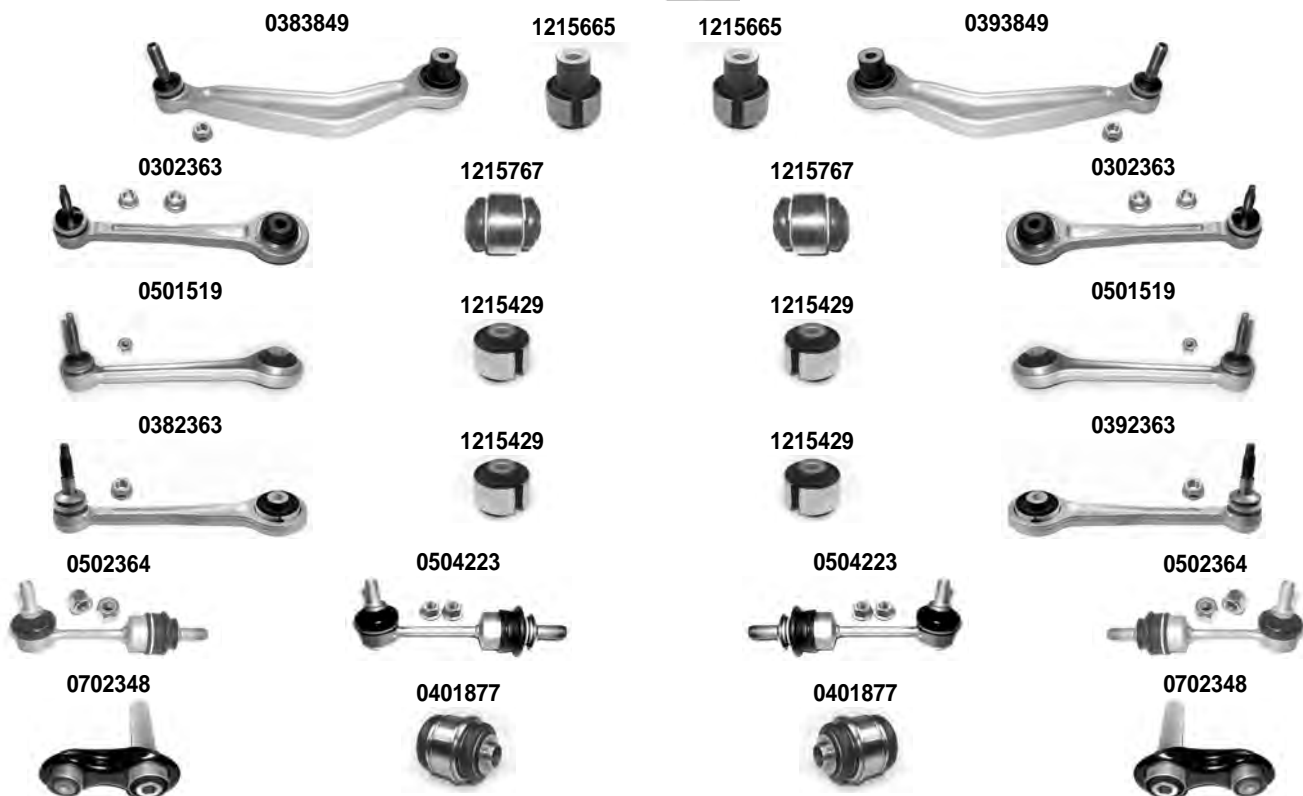
SINISTRO
LEFT

630 i > 650 i	E 63 - E 64	2004 >
---------------	-------------	--------

Asse Posteriore



Rear Axle



i	1) > 06/2006	2) 06/2006 > 10/2006
	3) 09/2006 > 5) CON DYNAMIC DRIVE - WITH DYNAMIC DRIVE	4) SENZA DYNAMIC DRIVE - WITHOUT DYNAMIC DRIVE

OCAP	O.E.		i	
0302363	33326768770	BRACCIO SOSPENSIONE - ALLUMINIO CONTROL ARM - ALUMINIUM	1)	
0382363	33326775084	BRACCIO SOSPENSIONE - ALLUMINIO CONTROL ARM - ALUMINIUM	3)	
0383849	33306772242	BRACCIO SOSPENSIONE - ALLUMINIO CONTROL ARM - ALUMINIUM		
0392363	33326775083	BRACCIO SOSPENSIONE - ALLUMINIO CONTROL ARM - ALUMINIUM	3)	
0393849	33306772241	BRACCIO SOSPENSIONE - ALLUMINIO CONTROL ARM - ALUMINIUM		
0401877	33321095631	GIUNTO SNODATO SWING ARM JOINT		
0501519	33326774795	BRACCIO SOSPENSIONE - ALLUMINIO CONTROL ARM - ALUMINIUM	2)	
0502364	33506781537	STABILIZZATORE STABILIZER LINK	5)	
0504223	33506781540	STABILIZZATORE STABILIZER LINK	4)	
0702348	33326770749	BRACCIO OSCILLANTE TRACK CONTROL ARM		
1215429	-	SILENTBLOCK BUSHING	2)	
1215665	-	SILENTBLOCK BUSHING		
1215767	33326758141	SILENTBLOCK BUSHING	1)	

DESTRO
RIGHT



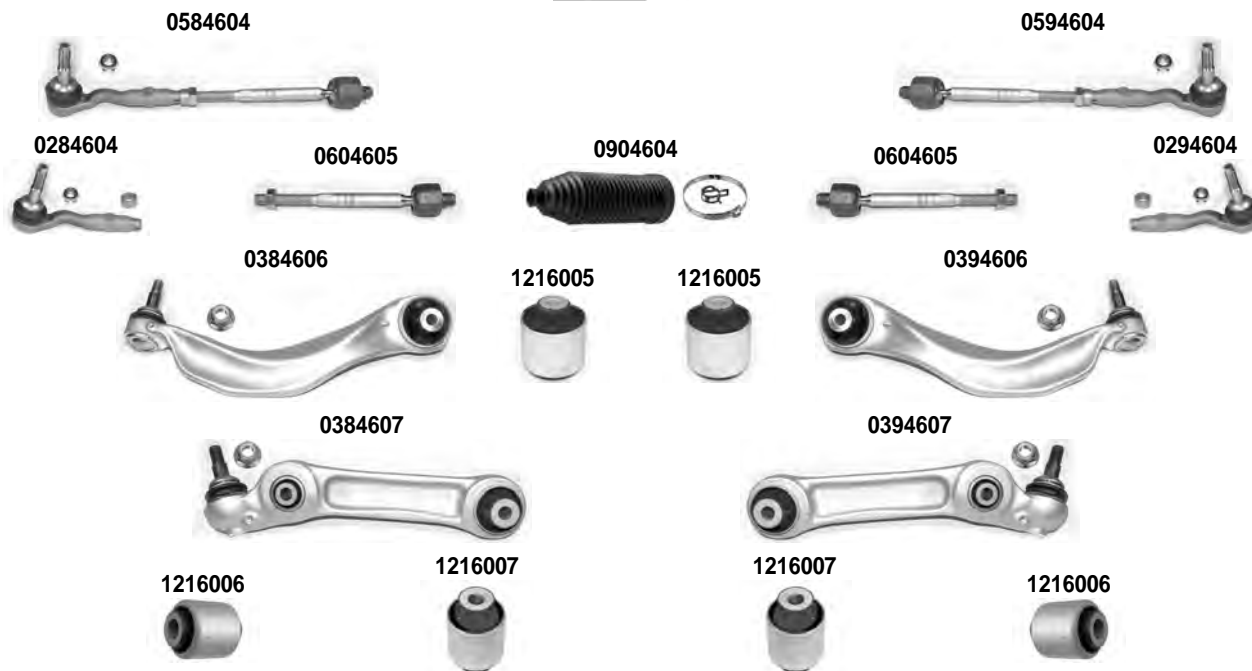
SINISTRO
LEFT

6 COUPE' (640 i > 650 i)	F 13	11/2010 >
6 CABRIOLET (640 i > 650 i)	F 12	03/2011 >
6 GRAN COUPE' (640 i > 650 i)	F 06	09/2011 >

Asse Anteriore



Front Axle



i 1) ZF	2) ECCETTO - EXCEPT: MOD. X - M6
----------------	----------------------------------

OCAP	O.E.		i	
0284604	32106784796	TESTA STERZO TIE ROD END		RHT M14x1,5
0294604	32106784790	TESTA STERZO TIE ROD END		RHT M14x1,5
0384606	31126775972	BRACCIO OSCILLANTE - INFERIORE - ALLUMINIO TRACK CONTROL ARM - LOWER - ALUMINIUM	2)	
0384607	31126794204	BRACCIO OSCILLANTE - INFERIORE - ALLUMINIO TRACK CONTROL ARM - LOWER - ALUMINIUM	2)	
0394606	31126775971	BRACCIO OSCILLANTE - INFERIORE - ALLUMINIO TRACK CONTROL ARM - LOWER - ALUMINIUM	2)	
0394607	31126794203	BRACCIO OSCILLANTE - INFERIORE - ALLUMINIO TRACK CONTROL ARM - LOWER - ALUMINIUM	2)	
0584604	32106784719	BARRA STERZO TIE ROD		
0594604	32106784716	BARRA STERZO TIE ROD		
0604605	32106784719 *	SNODO ASSIALE AXIAL JOINT		RHT M14x1,5
0904604	32106791561	KIT CUFFIA STERZO STEERING GAITER KIT	1)	
1216005	31126775972 *	SILENTBLOCK BUSHING	2)	
1216006	31126784569	SILENTBLOCK - CENTRALE CENTRAL BUSHING		
1216007	31126791455	SILENTBLOCK - ESTREMO OUTER BUSHING		

DESTRO
RIGHT



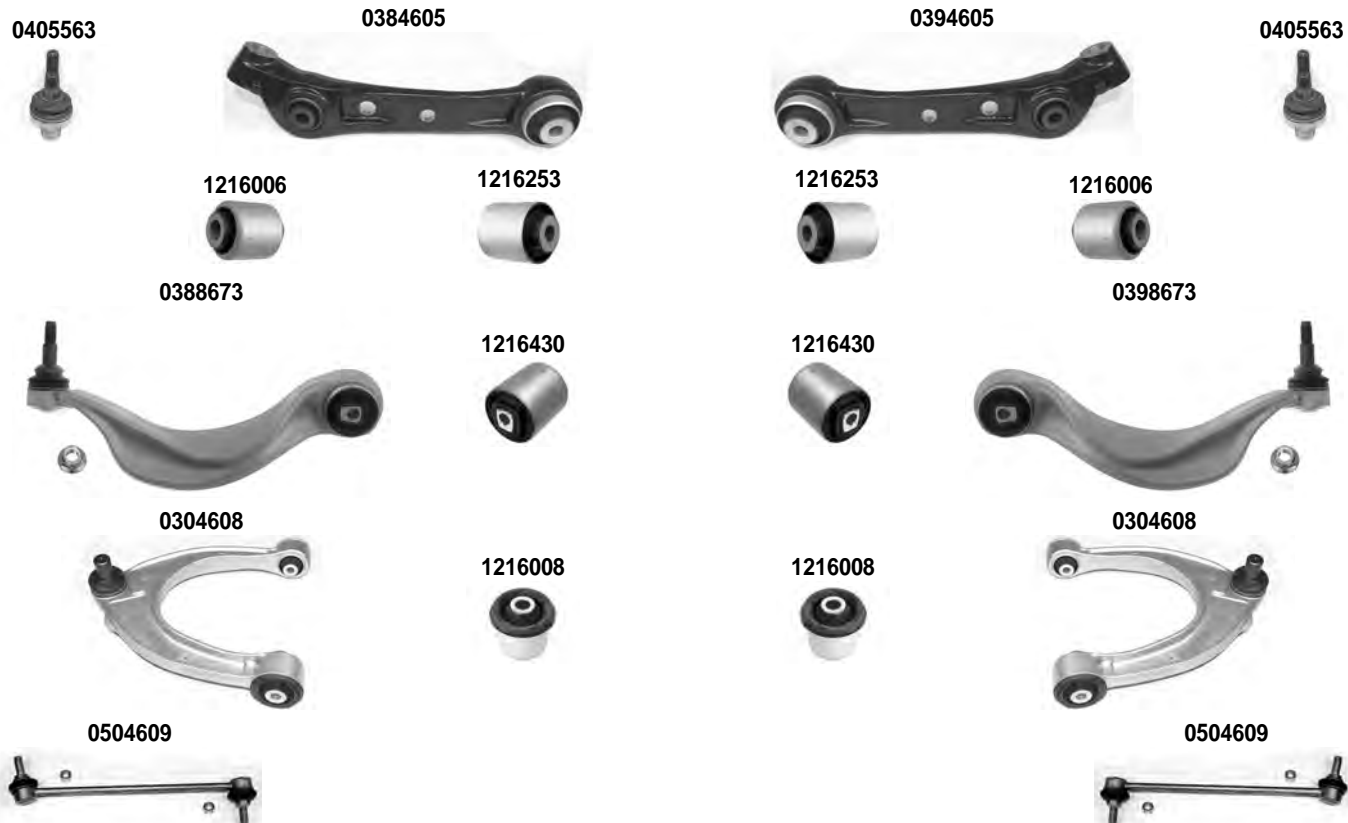
SINISTRO
LEFT

6 COUPE' (640 i > 650 i)	F 13	11/2010 >
6 CABRIOLET (640 i > 650 i)	F 12	03/2011 >
6 GRAN COUPE' (640 i > 650 i)	F 06	09/2011 >

Asse Anteriore



Front Axle



i 3) SOLO PER - ONLY FOR: MOD. X - M6	3) SOLO PER - ONLY FOR: MOD. X
3) SOLO PER - ONLY FOR: MOD. X	3) SOLO PER - ONLY FOR: MOD. X

OCAP	O.E.		i	
0304608	31126775967	BRACCIO OSCILLANTE - SUPERIORE - ALLUMINIO TRACK CONTROL ARM - UPPER - ALUMINIUM		
0384605	31126777744	BRACCIO OSCILLANTE - INFERIORE - ACCIAIO TRACK CONTROL ARM - LOWER - STEEL	3)	
0388673	31126777734	BRACCIO OSCILLANTE - INFERIORE - ALLUMINIO TRACK CONTROL ARM - LOWER - ALUMINIUM	3)	
0394605	31126777743	BRACCIO OSCILLANTE - INFERIORE - ACCIAIO TRACK CONTROL ARM - LOWER - STEEL	3)	
0398673	31126777733	BRACCIO OSCILLANTE - INFERIORE - ALLUMINIO TRACK CONTROL ARM - LOWER - ALUMINIUM	3)	
0405563	32126777753	SNODO SOSPENSIONE BALL JOINT	3)	
0504609	31356777319	STABILIZZATORE STABILIZER LINK		
1216006	31126784569	SILENTBLOCK - CENTRALE CENTRAL BUSHING		
1216008	31126775967 *	SILENTBLOCK BUSHING		
1216253	31126850607	SILENTBLOCK - ESTREMO OUTER BUSHING	3)	
1216430	31126777653	SILENTBLOCK BUSHING	3)	

DESTRO
RIGHT



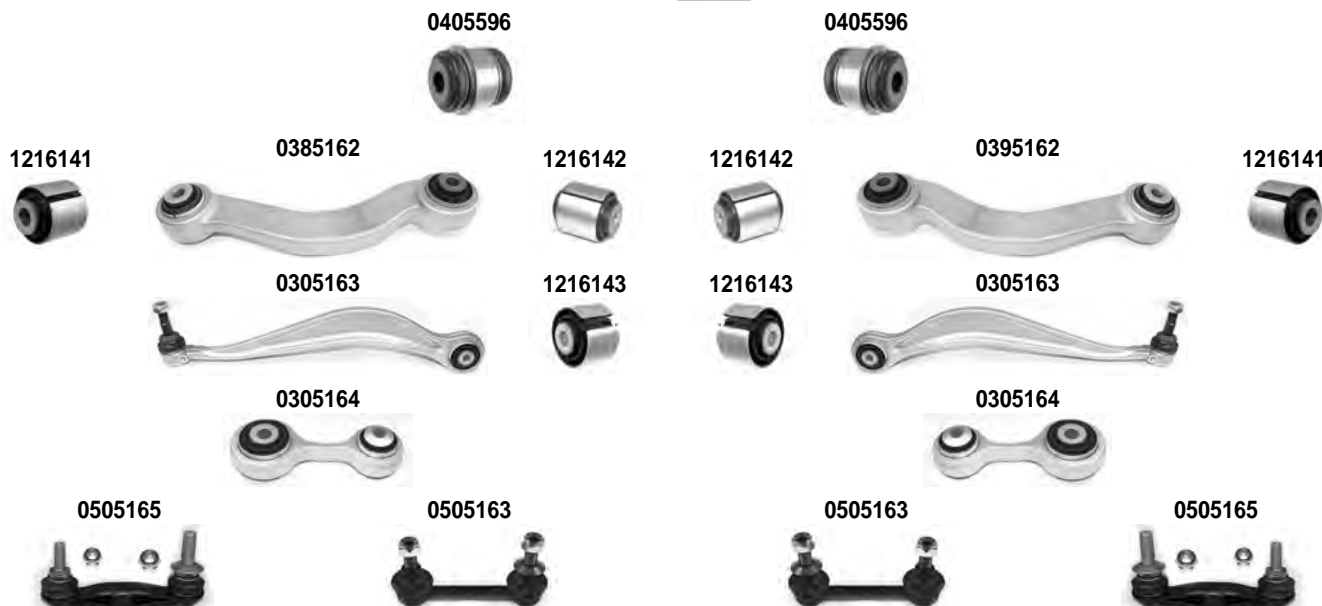
SINISTRO
LEFT

6 COUPE' (640 i > 650 i)	F 13	11/2010 >
6 CABRIOLET (640 i > 650 i)	F 12	03/2011 >
6 GRAN COUPE' (640 i > 650 i)	F 06	09/2011 >

Asse Posteriore



Rear Axle



i 2) ECCETTO - EXCEPT: MOD. X - M6	3) SOLO PER - ONLY FOR: MOD. X - M6
4) ECCETTO - EXCEPT: MOD. DINAMIC DRIVE	5) SOLO PER - ONLY FOR : MOD. DINAMIC DRIVE

OCAP	O.E.		i	
0305163	33326775902	BRACCIO OSCILLANTE - ALLUMINIO TRACK CONTROL ARM - ALUMINIUM	2)	
0305164	33326775683	BRACCIO OSCILLANTE - ALLUMINIO TRACK CONTROL ARM - ALUMINIUM		
0385162	33326782136	BRACCIO OSCILLANTE - ALLUMINIO TRACK CONTROL ARM - ALUMINIUM		
0395162	33326782135	BRACCIO OSCILLANTE - ALLUMINIO TRACK CONTROL ARM - ALUMINIUM		
0405596	33326780438	GIUNTO SOSPENSIONE SWING ARM JOINT		
0505163	37106775189	STABILIZZATORE STABILIZER LINK	5)	
0505165	33556777635	STABILIZZATORE - RESINA STABILIZER LINK - RESIN	4)	
1216141	33326782136 *	SILENTBLOCK ESTERNO OUTER BUSHING		
1216142	33326782136 **	SILENTBLOCK INTERNO INNER BUSHING		
1216143	33326775680	SILENTBLOCK BUSHING		

728 i/S > 745 i

DESTRO
RIGHT



SINISTRO
LEFT

728 i/S > 745 i

E 23

> 1986

Asse Anteriore



Front Axle

0500275



0502858



0501302



0501302



0180266



0191302



0191302



0180266



1215101



0380276



1215111



1215111



0390276



1215101



0380277



1215084



1215084



0390277



i 1) L H D	2) R H D
-------------------	----------

OCAP	O.E.		i	
0180266	32121114843	TESTA STERZO TIE ROD END		RHT M16x1,5
0191302	32211118619	TESTA STERZO TIE ROD END		LHT M16x1,5
0380276	31121129363	BRACCIO OSCILLANTE TRACK CONTROL ARM		
0380277	31121118356	BRACCIO SOSPENSIONE THRUST ROD		
0390276	31121129362	BRACCIO OSCILLANTE TRACK CONTROL ARM		
0390277	31121118355	BRACCIO SOSPENSIONE THRUST ROD		
0500275	32211128365	BARRA STERZO TIE ROD	1)	
0501302	32211117212	BARRA STERZO TIE ROD		
0502858	32211128368	BARRA STERZO TIE ROD	2)	
1215084	31129058820	SILENTBLOCK BUSHING		
1215101	31121117025	SILENTBLOCK CENTRALE CENTRAL BUSHING		
1215111	31121127385	SILENTBLOCK ESTREMO OUTER BUSHING		

DESTRO
RIGHT



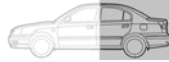
SINISTRO
LEFT

728 i/S > 745 i

E 23

> 1986

Asse Posteriore



Rear Axle

0500377



0500094



0500094



0500377



OCAP	O.E.			
0500094	33321126476	STABILIZZATORE STABILIZER LINK		
0500377	33551126932	STABILIZZATORE STABILIZER LINK		

DESTRO
RIGHT



SINISTRO
LEFT

730 i > 750 i	E 32	1986 > 1994
---------------	------	-------------

Asse Anteriore



Front Axle

0502859



0502860



0180273



0500273



0190273



0190273



0500273



0180273



1215185



0300062



0300062



1215185



0380270



1215018



1215018



0390270



0382065



1215253



1215253



0392065



i 1) L H D 3) 09/86 >	2) R H D 4) CON SILENTBLOCK - WITH BUSHING
---------------------------------	---

OCAP	O.E.		i	
0180273	32211135820	TESTA STERZO TIE ROD END		RHT M14x1,5
0190273	32211135819	TESTA STERZO TIE ROD END		LHT M14x1,5
0300062	32211136450	BRACCIO STERZO STEERING ARM	3)	
0380270	31121139992	BRACCIO OSCILLANTE - INFERIORE TRACK CONTROL ARM - LOWER	4)	
0382065	31121139988	BRACCIO OSCILLANTE - ALLUMINIO - INFERIORE TRACK CONTROL ARM - ALUMINIUM - LOWER	4)	
0390270	31121139991	BRACCIO OSCILLANTE - INFERIORE TRACK CONTROL ARM - LOWER	4)	
0392065	31121139987	BRACCIO OSCILLANTE - ALLUMINIO - INFERIORE TRACK CONTROL ARM - ALUMINIUM - LOWER	4)	
0500273	32211135666	BARRA STERZO TIE ROD		
0502859	32211138850	BARRA STERZO TIE ROD	1)	
0502860	32211138851	BARRA STERZO TIE ROD	2)	
1215018	31121124622	SILENTBLOCK BUSHING		
1215185	32211136452	SILENTBLOCK BRACCIO STERZO STEERING ARM BUSHING	3)	
1215253	31121092019	SILENTBLOCK BUSHING		

DESTRO
RIGHT



SINISTRO
LEFT

730 i > 750 i

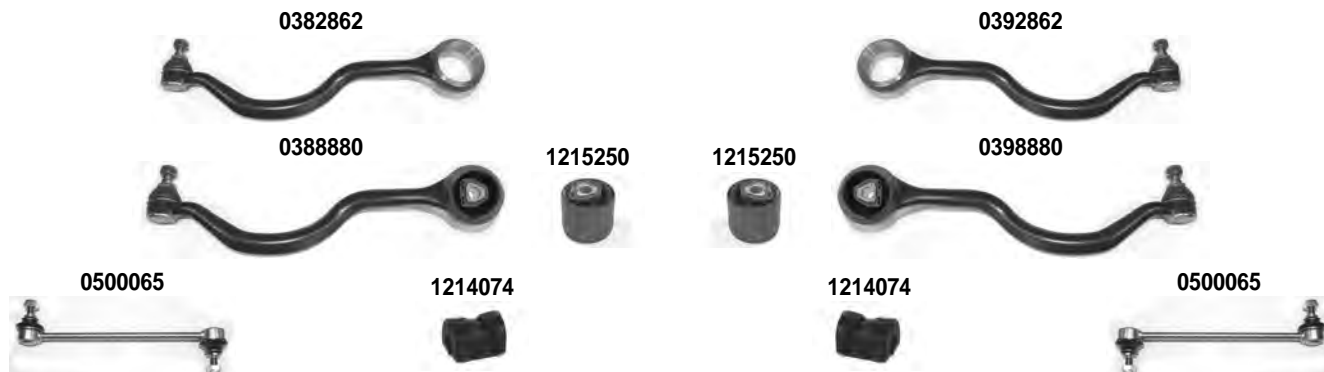
E 32

1986 > 1994

Asse Anteriore



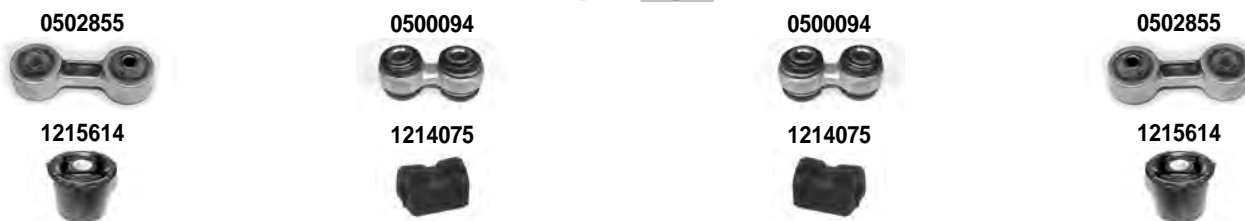
Front Axle



Asse Posteriore



Rear Axle



4) CON SILENTBLOCK - WITH BUSHING

5) ESCLUSO - EXCEPT: MOD. 750i - iL - 12/89 >

OCAP	O.E.			
0382862	31121140000	BRACCIO OSCILLANTE SUPERIORE TORQUE BAR UPPER		
0388880	31121140000 *	BRACCIO OSCILLANTE SUPERIORE TORQUE BAR UPPER	4)	
0392862	31121139999	BRACCIO OSCILLANTE SUPERIORE TORQUE BAR UPPER		
0398880	31121139999 *	BRACCIO OSCILLANTE SUPERIORE TORQUE BAR UPPER	4)	
0500065	31351134582	STABILIZZATORE STABILIZER LINK	5)	
0500094	33321126476	STABILIZZATORE STABILIZER LINK		
0502855	33551135307	STABILIZZATORE STABILIZER LINK		
1214074	31351132786	BOCCOLA BARRA STABILIZZATRICE STABILIZING BAR BUSHING		DIAM. 24 mm.
1214075	33551131155	BOCCOLA BARRA STABILIZZATRICE STABILIZING BAR BUSHING		DIAM. 15 mm.
1215250	31121136605	SILENTBLOCK BUSHING		
1215614	33311129760	SILENTBLOCK BUSHING		

730 i - 740 i - 750 i

DESTRO
RIGHT



SINISTRO
LEFT

730 i - 740 i - 750 i

E 38

1994 > 2001

Asse Anteriore



Front Axle

0501027



0501029



0501028



0501030



0281031



0291031



0281031



0291031



0381032



1215253



1215253



0391032



0381033



1215258



1215258



0391033



i	1) L H D	2) R H D
	3) COMPLETO - COMPLETE: > 12/96	

OCAP	O.E.		i	
0281031	32211141346	TESTA STERZO TIE ROD END		RHT M16x1,5
0291031	32211141345	TESTA STERZO TIE ROD END		RHT M16x1,5
0381032	31121142088	BRACCIO OSCILLANTE INFERIORE - ALLUMINIO CONTROL ARM LOWER - ALUMINIUM		
0381033	31121141724	BRACCIO SOSPENSIONE - SUPERIORE TORQUE BAR - UPPER	3)	
0391032	31121142087	BRACCIO OSCILLANTE INFERIORE - ALLUMINIO CONTROL ARM LOWER - ALUMINIUM		
0391033	31121141723	BRACCIO SOSPENSIONE - SUPERIORE TORQUE BAR - UPPER	3)	
0501027	32211096057	BARRA STERZO SENZA TESTE STERZO TIE ROD WITHOUT TIE ROD ENDS	1)	
0501028	32211096058	BARRA STERZO SENZA TESTE STERZO TIE ROD WITHOUT TIE ROD ENDS	2)	
0501029	32211091917	BARRA STERZO COMPLETA TIE ROD COMPLETE	1)	
0501030	32211091918	BARRA STERZO COMPLETA TIE ROD COMPLETE	2)	
1215253	31121092019	SILENTBLOCK BUSHING		
1215258	31129071085	SILENTBLOCK BUSHING		

DESTRO
RIGHT

 SINISTRO
LEFT

730 i - 740 i - 750 i

E 38

1994 > 2001

Asse Anteriore



Front Axle



Asse Posteriore



Rear Axle


i 4) SENZA SILENTBLOCK - WITHOUT BUSHING: 01/97 >

OCAP	O.E.		i	
0381044	31121141722	BRACCIO SOSPENSIONE - SUPERIORE TORQUE BAR - UPPER	4)	
0391044	31121141721	BRACCIO SOSPENSIONE - SUPERIORE TORQUE BAR - UPPER	4)	
0402919	-	SNODO SOSPENSIONE BALL JOINT		
0501034	33326768791	BRACCIO SOSPENSIONE - ALLUMINIO CONTROL ARM - ALUMINIUM		
0501035	31351095695	STABILIZZATORE STABILIZER LINK		
0782919	33321090906	BRACCIO SOSPENSIONE CONTROL ARM		
0792919	33321090905	BRACCIO SOSPENSIONE CONTROL ARM		
0902899	31120006482	KIT SILENTBLOCK BUSHING KIT		
1214160	31351091555	SILENTBLOCK BARRA STABILIZZATRICE STABILIZING BAR BUSHING		DIAM. 20,5 mm.
1215429	-	SILENTBLOCK BUSHING		
1215615	-	SILENTBLOCK BUSHING		

730 i - 740 i - 750 i

DESTRO
RIGHT



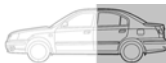
SINISTRO
LEFT

730 i - 740 i - 750 i

E 38

1994 > 2001

Asse Posteriore



Rear Axle



1216221



1216222



1216221



OCAP	O.E.			
0401877	33321095631	GIUNTO SNODATO SWING ARM JOINT		
0501036	33551095696	STABILIZZATORE STABILIZER LINK		
0702348	33326770749	BRACCIO OSCILLANTE TRACK CONTROL ARM		
1216221	33171090089	SILENTBLOCK ASSE - POSTERIORE AXLE BUSHING - REAR		
1216222	33171090389	SILENTBLOCK ASSE - ANTERIORE AXLE BUSHING - FRONT		

DESTRO
RIGHT

 SINISTRO
LEFT

 730 d > 760 i
730 Li > 760 Li

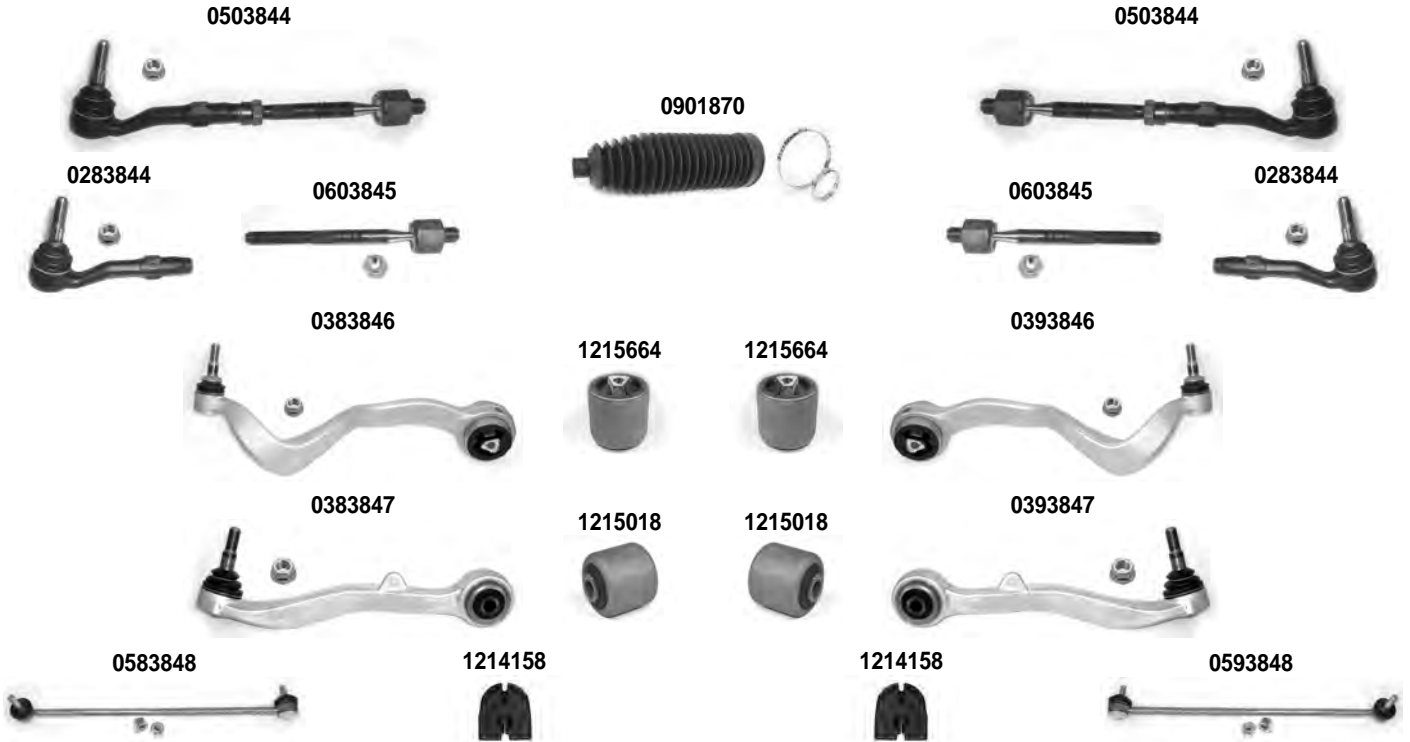
 E 65
E 66

 2001 >
2001 >

Asse Anteriore



Front Axle



OCAP	O.E.			
0283844	32106774361	TESTA STERZO TIE ROD END		RHT M15x1,5
0383846	31126765994	BRACCIO OSCILLANTE - ALLUMINIO TRACK CONTROL ARM - ALUMINIUM		
0383847	31126755836	BRACCIO OSCILLANTE - ALLUMINIO TRACK CONTROL ARM - ALUMINIUM		
0393846	31126765993	BRACCIO OSCILLANTE - ALLUMINIO TRACK CONTROL ARM - ALUMINIUM		
0393847	31126755835	BRACCIO OSCILLANTE - ALLUMINIO TRACK CONTROL ARM - ALUMINIUM		
0503844	32106774360	BARRA STERZO TIE ROD		
0583848	31356778070	STABILIZZATORE STABILIZER LINK		
0593848	31356778069	STABILIZZATORE STABILIZER LINK		
0603845	-	SNODO ASSIALE AXIAL JOINT		RHT M15x1,5
0901870	32136751026	KIT CUFFIE STERZO STEERING GAITER KIT		
1214158	31356763267	SILENTBLOCK BARRA STABILIZZATRICE STABILIZING BAR BUSHING		DIAM. 25,5 mm.
1215018	31121124622	SILENTBLOCK BUSHING		
1215664	31126765991	SILENTBLOCK BUSHING		

730 d > 760 i

DESTRO
RIGHT



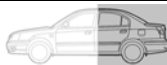
SINISTRO
LEFT

730 d > 760 i
730 Li > 760 Li

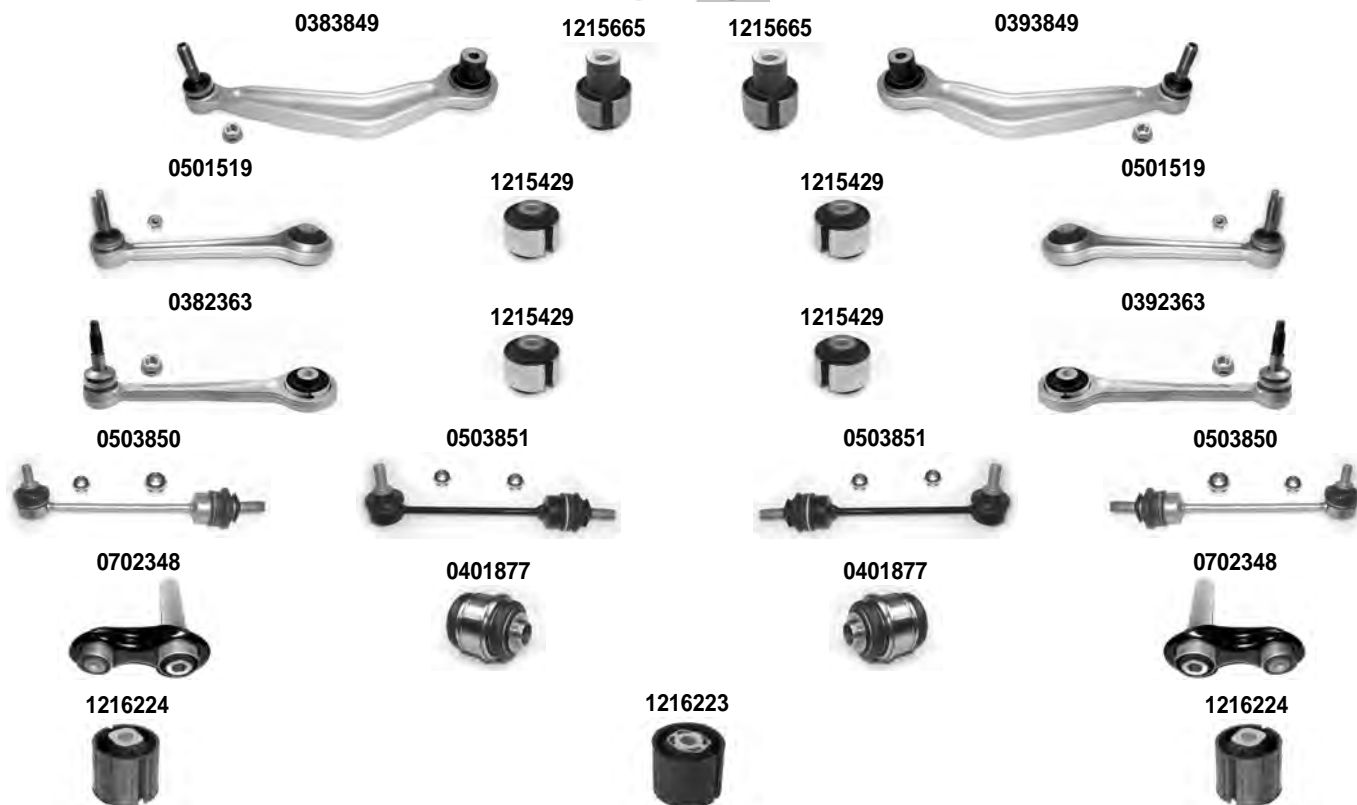
E 65
E 66

2001 >
2001 >

Asse Posteriore



Rear Axle



i 1) > 10/2006 3) ESCLUSI - EXCEPT: MOD. DYNAMIC DRIVE	2) 09/2006 > 4) SOLO PER - ONLY FOR: MOD. DYNAMIC DRIVE
--	--

OCAP	O.E.		i	
0382363	33326775084	BRACCIO SOSPENSIONE - ALLUMINIO CONTROL ARM - ALUMINIUM	2)	
0383849	33306772242	BRACCIO SOSPENSIONE - ALLUMINIO CONTROL ARM - ALUMINIUM		
0392363	33326775083	BRACCIO SOSPENSIONE - ALLUMINIO CONTROL ARM - ALUMINIUM	2)	
0393849	33306772241	BRACCIO SOSPENSIONE - ALLUMINIO CONTROL ARM - ALUMINIUM		
0401877	33321095631	SILENTBLOCK A SNODO SWING ARM JOINT		
0501519	33326774795	BRACCIO SOSPENSIONE - ALLUMINIO CONTROL ARM - ALUMINIUM	1)	
0503850	33556757460	STABILIZZATORE STABILIZER LINK	3)	
0503851	33506781539	STABILIZZATORE STABILIZER LINK	4)	
0702348	33326770749	BRACCIO OSCILLANTE TRACK CONTROL ARM		
1215429	-	SILENTBLOCK BUSHING		
1215665	-	SILENTBLOCK BUSHING		
1216223	33176770763	SILENTBLOCK ASSE - POSTERIORE AXLE BUSHING - REAR		
1216224	33176770764	SILENTBLOCK ASSE - ANTERIORE AXLE BUSHING - FRONT		

DESTRO
RIGHT

 SINISTRO
LEFT

730 i > 760 i

F 01 > F 04

06/2008 > 2015

Asse Anteriore



Front Axle



i 1) ZF	2) ECCETTO - EXCEPT: MOD. X
----------------	-----------------------------

OCAP	O.E.		i	
0284604	32106784796	TESTA STERZO <i>TIE ROD END</i>		RHT M14x1,5
0294604	32106784790	TESTA STERZO <i>TIE ROD END</i>		RHT M14x1,5
0388081	31126775960	BRACCIO OSCILLANTE - INFERIORE - ALLUMINIO <i>TRACK CONTROL ARM - LOWER - ALUMINIUM</i>	2)	
0388082	31126798108	BRACCIO OSCILLANTE - INFERIORE - ALLUMINIO <i>TRACK CONTROL ARM - LOWER - ALUMINIUM</i>	2)	
0398081	31126775959	BRACCIO OSCILLANTE - INFERIORE - ALLUMINIO <i>TRACK CONTROL ARM - LOWER - ALUMINIUM</i>	2)	
0398082	31126798107	BRACCIO OSCILLANTE - INFERIORE - ALLUMINIO <i>TRACK CONTROL ARM - LOWER - ALUMINIUM</i>	2)	
0584604	32106784719	BARRA STERZO <i>TIE ROD</i>		
0594604	32106784716	BARRA STERZO <i>TIE ROD</i>		
0604605	32106784719 *	SNODO ASSIALE <i>AXIAL JOINT</i>		RHT M14x1,5
0904604	32106791561	KIT CUFFIA STERZO <i>STEERING GAITER KIT</i>	1)	
1216006	31126784569	SILENTBLOCK CENTRALE <i>CENTRAL BUSHING</i>		
1216074	31126775145	SILENTBLOCK <i>BUSHING</i>		
1216075	-	SILENTBLOCK ESTREMO <i>OUTER BUSHING</i>		

730 i > 760 i

DESTRO
RIGHT



SINISTRO
LEFT

730 i > 760 i	F 01 > F 04	06/2008 > 2015
---------------	-------------	----------------

Asse Anteriore



Front Axle

0405563



0385563



0395563



0405563



1216006



1216253



1216253



1216006



0304608



1216008



1216008



0304608



0504609



0504609



i 3) SOLO PER - ONLY FOR: MOD. X	4) ECCETTO - EXCEPT: MOD. LCI
---	-------------------------------

OCAP	O.E.		i	
0304608	32106775967	BRACCIO OSCILLANTE - SUPERIORE - ALLUMINIO TRACK CONTROL ARM - UPPER - ALUMINIUM	4)	
0385563	31126777740	BRACCIO OSCILLANTE - INFERIORE - ALLUMINIO TRACK CONTROL ARM - LOWER - ALUMINIUM	3)	
0395563	31126777739	BRACCIO OSCILLANTE - INFERIORE - ALLUMINIO TRACK CONTROL ARM - LOWER - ALUMINIUM	3)	
0405563	31126777753	SNODO SOSPENSIONE BALL JOINT	3)	
0504609	31356777319	STABILIZZATORE STABILIZER LINK		
1216006	31126784569	SILENTBLOCK - CENTRALE CENTRAL BUSHING		
1216008	32106775967 *	SILENTBLOCK BUSHING		
1216253	31126850607	SILENTBLOCK - ESTREMO OUTER BUSHING		

DESTRO
RIGHT

 SINISTRO
LEFT

730 i > 760 i

F 01 > F 04

06/2008 > 2015

Asse Posteriore



Rear Axle



i 4) ECCETTO - EXCEPT: MOD. LCI 6) RESINA - ECCETTO - RESIN - EXCEPT: MOD. DINAMIC DRIVE	5) SOLO PER - ONLY FOR: MOD. LCI 7) SOLO PER - ONLY FOR: MOD. DINAMIC DRIVE
--	--

OCAP	O.E.		i	
0305163	33326775902	BRACCIO OSCILLANTE - SUPERIORE - ALLUMINIO TRACK CONTROL ARM - UPPER - ALUMINIUM		
0305164	33326775683	BRACCIO OSCILLANTE - INFERIORE - ALLUMINIO TRACK CONTROL ARM - LOWER - ALUMINIUM		
0384608	33326782132	BRACCIO OSCILLANTE - SUPERIORE - ALLUMINIO TRACK CONTROL ARM - UPPER - ALUMINIUM	4)	
0385162	33326782136	BRACCIO OSCILLANTE - SUPERIORE - ALLUMINIO TRACK CONTROL ARM - UPPER - ALUMINIUM	5)	
0394608	33326782131	BRACCIO OSCILLANTE - SUPERIORE - ALLUMINIO TRACK CONTROL ARM - UPPER - ALUMINIUM	4)	
0395162	33326782135	BRACCIO OSCILLANTE - SUPERIORE - ALLUMINIO TRACK CONTROL ARM - UPPER - ALUMINIUM	5)	
0405596	33326780438	GIUNTO SOSPENSIONE SWING ARM JOINT		
0505163	37106775189	STABILIZZATORE STABILIZER LINK	7)	
0505165	33556777635	STABILIZZATORE - RESINA STABILIZER LINK- RESIN	6)	
1216141	33326782136 *	SILENTBLOCK ESTERNO OUTER BUSHING		
1216142	33326782136 **	SILENTBLOCK INTERNO INNER BUSHING		
1216143	33326775680	SILENTBLOCK BUSHING		

DESTRO
RIGHT



SINISTRO
LEFT

840 Ci - 850 i/Ci/CSi

E 31

1990 >

Asse Anteriore



Front Axle

0180273



0500273



0190273



0190273



0500273



0180273



1215185



0300062



0300062



1215185



0380229



0390229



0382862



0392862



0388880



1215250



1215250



0398880



0500065



1214074



1214074



0500065



i 1) CON SILENTBLOCK - WITH BUSHING

OCAP	O.E.		i	
0180273	32211135820	TESTA STERZO TIE ROD END		RHT M14x1,5
0190273	32211135819	TESTA STERZO TIE ROD END		LHT M14x1,5
0300062	32211136450	BRACCIO STERZO STEERING ARM		
0380229	31121138478	BRACCIO OSCILLANTE - ALLUMINIO TRACK CONTROL ARM - ALUMINIUM		
0382862	31121140000	BRACCIO OSCILLANTE SUPERIORE TORQUE BAR UPPER		
0388880	31121140000 *	BRACCIO OSCILLANTE SUPERIORE TORQUE BAR UPPER	1)	
0390229	31121138477	BRACCIO OSCILLANTE - ALLUMINIO TRACK CONTROL ARM - ALUMINIUM		
0392862	31121139999	BRACCIO OSCILLANTE SUPERIORE TORQUE BAR UPPER		
0398880	31121139999 *	BRACCIO OSCILLANTE SUPERIORE TORQUE BAR UPPER	1)	
0500065	31351134582	STABILIZZATORE STABILIZER LINK		
0500273	32211135666	BARRA STERZO TIE ROD		
1214074	31351132786	BOCCOLA BARRA STABILIZZATRICE STABILIZING BAR BUSHING		DIAM. 24 mm.
1215185	32211136452	SILENTBLOCK BRACCIO STERZO BUSHING FOR STEERING ARM		
1215250	31121136605	SILENTBLOCK BUSHING		

DESTRO
RIGHT



SINISTRO
LEFT

X1 - sDrive 18 i > xDrive 28 i

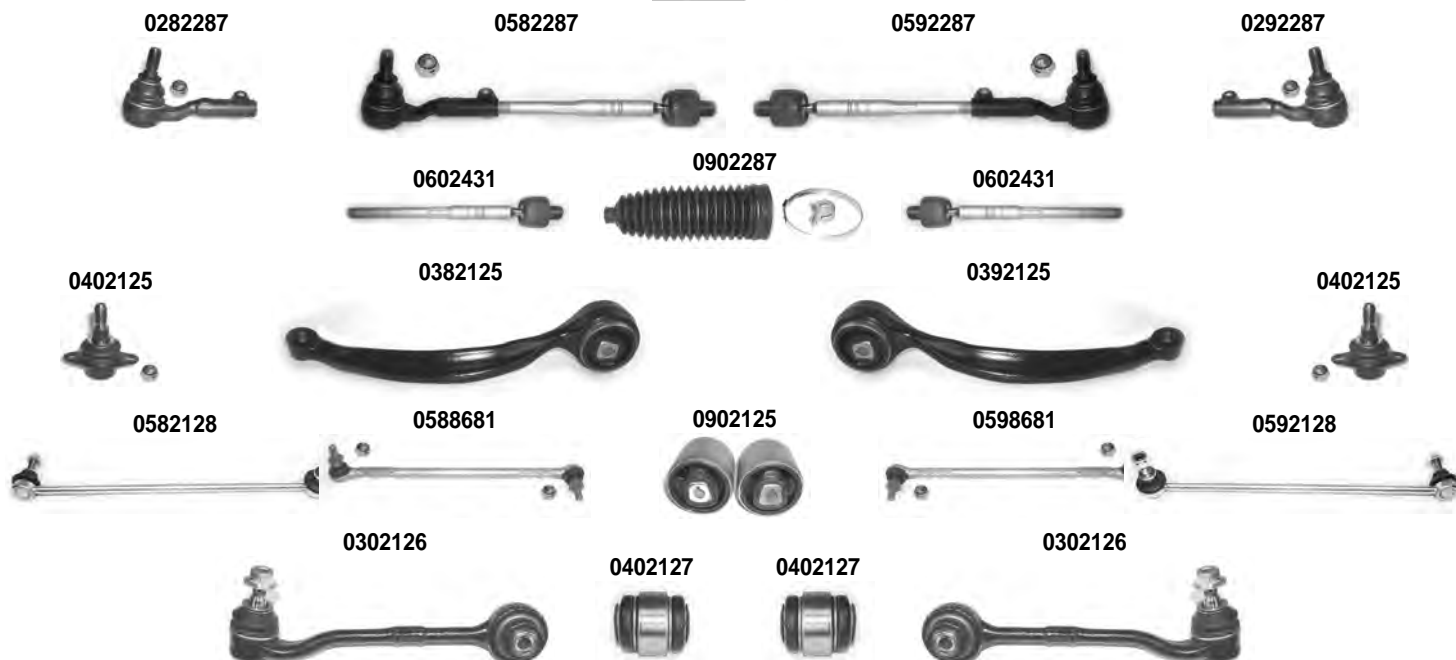
E 84

10/2009 > 2015

Asse Anteriore



Front Axle



X1 - sDrive 18 i > xDrive 28 i

i 1) ZF				
OCAP	O.E.		i	
0282287	32106793624	TESTA STERZO TIE ROD END		RHT M14x1,5
0292287	32106793623	TESTA STERZO TIE ROD END		RHT M14x1,5
0302126	31126768989	BRACCIO OSCILLANTE - INFERIORE - ANTERIORE - ACCIAIO TRACK CONTROL ARM - LOWER - FRONT - STEEL		
0382125	31126768984	BRACCIO OSCILLANTE - INFERIORE - POSTERIORE - ACCIAIO TRACK CONTROL ARM - LOWER - REAR - STEEL		
0392125	31126768983	BRACCIO OSCILLANTE - INFERIORE - POSTERIORE - ACCIAIO TRACK CONTROL ARM - LOWER - REAR - STEEL		
0402125	31126768988	SNODO SOSPENSIONE BALL JOINT		
0402127	-	SILENTBLOCK BUSHING		
0582128	31356768772	STABILIZZATORE - ACCIAIO STABILIZER LINK - STEEL		
0582287	32106768880	BARRA STERZO TIE ROD	1)	
0588681	31356768772 *	STABILIZZATORE - ALLUMINIO STABILIZER LINK - ALUMINIUM		
0592128	31356768771	STABILIZZATORE - ACCIAIO STABILIZER LINK - STEEL		
0592287	32106768879	BARRA STERZO TIE ROD	1)	
0598681	31356768771 *	STABILIZZATORE - ALLUMINIO STABILIZER LINK - ALUMINIUM		
0602431	-	SNODO ASSIALE AXIAL JOINT		RHT M14x1,5
0902125	31120410791	KIT SILENTBLOCK BUSHING KIT		
0902287	32106765234	KIT CUFFIA STERZO STEERING GAITER KIT		

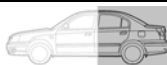
DESTRO
RIGHT



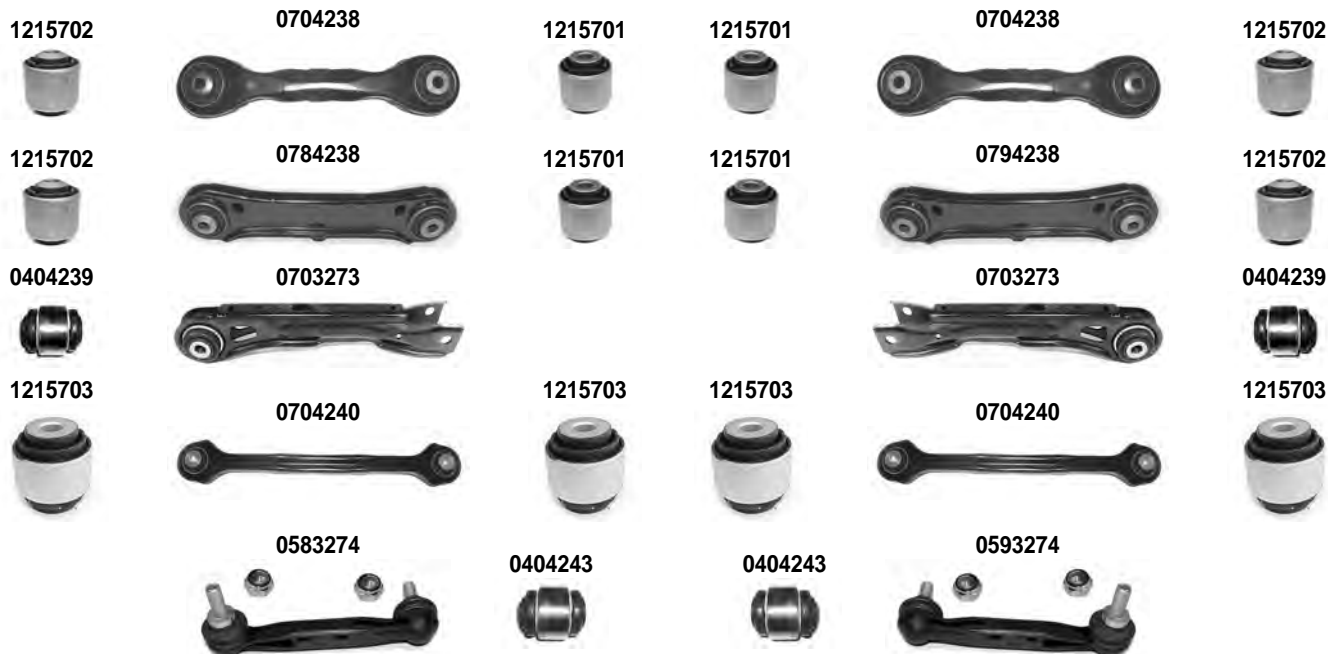
SINISTRO
LEFT

X1 - sDrive 18 i > xDrive 28 i	E 84	10/2009 > 2015
--------------------------------	------	----------------

Asse Posteriore



Rear Axle



i 2) > 11/2009	3) 11/2009 >
-----------------------	--------------

OCAP	O.E.		i	
0404239	-	SILENTBLOCK A SNODO BUSHING		
0404243	33326775552	GIUNTO SOSPENSIONE - INFERIORE SUSPENSION JOINT - LOWER		
0583274	33506785608	STABILIZZATORE STABILIZER LINK		
0593274	33506785607	STABILIZZATORE STABILIZER LINK		
0703273	33326782168	BRACCIO SOSPENSIONE - CENTRALE - SUPERIORE SUSPENSION CONTROL ARM - CENTRAL - UPPER		
0704238	33326765425	BRACCIO SOSPENSIONE - ANTERIORE - SUPERIORE SUSPENSION CONTROL ARM - FRONT - UPPER	2)	
0704240	33326763471	BRACCIO SOSPENSIONE - POSTERIORE SUSPENSION CONTROL ARM - REAR		
0784238	33326782238	BRACCIO SOSPENSIONE - ANTERIORE - SUPERIORE SUSPENSION CONTROL ARM - FRONT - UPPER	3)	
0794238	33326782237	BRACCIO SOSPENSIONE - ANTERIORE - SUPERIORE SUSPENSION CONTROL ARM - FRONT - UPPER	3)	
1215701	33326765425*	SILENTBLOCK BUSHING		
1215702	33326765425**	SILENTBLOCK BUSHING		
1215703	-	SILENTBLOCK BUSHING		

DESTRO
RIGHT



SINISTRO
LEFT

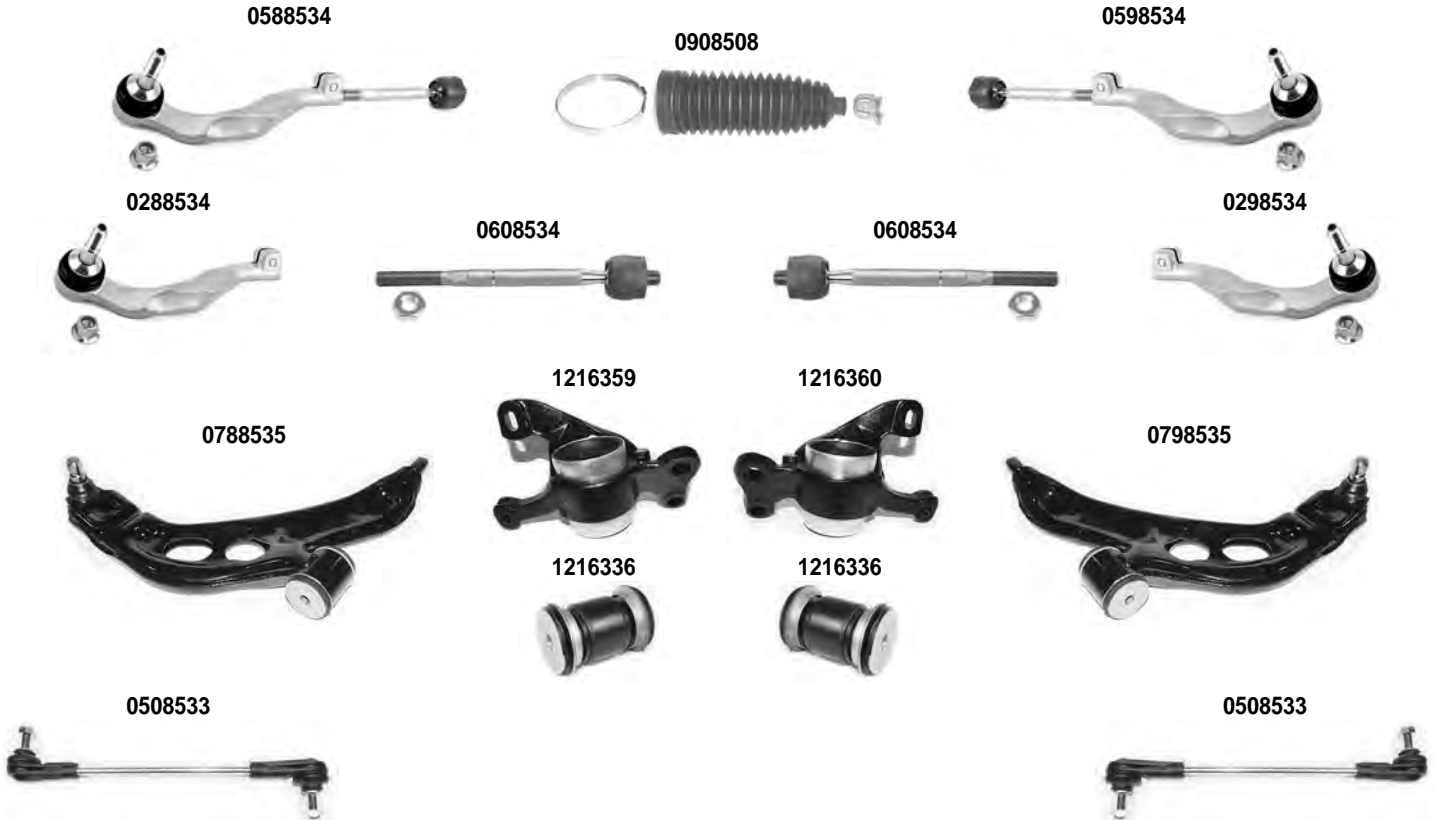
X1

X1 X2	F 48 F 39	01/2014 > 11/2017 >
----------	--------------	------------------------

Asse Anteriore



Front Axle



OCAP	O.E.		
0288534	32106869425	TESTA STERZO TIE ROD END	RHT M14x1,5
0298534	32106869424	TESTA STERZO TIE ROD END	RHT M14x1,5
0508533	31306862864	STABILIZZATORE STABILIZER LINK	
0588534	32106867405	BARRA STERZO TIE ROD	
0598534	32106867404	BARRA STERZO TIE ROD	
0608534	32106867405 *	SNODO ASSIALE AXIAL JOINT	RHT M14x1,5
0788535	31126871302	BRACCIO OSCILLANTE TRACK CONTROL ARM	
0798535	31126871301	BRACCIO OSCILLANTE TRACK CONTROL ARM	
0908508	32106865380	KIT CUFFIA STERZO STEERING GAITER KIT	
1216336	31126850398 *	SILENTBLOCK BUSHING	
1216359	31126850404	SILENTBLOCK BUSHING	
1216360	31126850403	SILENTBLOCK BUSHING	

X1

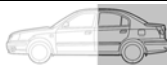
DESTRO
RIGHT



SINISTRO
LEFT

X1 X2	F 48 F 39	01/2014 > 11/2017 >
----------	--------------	------------------------

Asse Posteriore



Rear Axle

0508511



0708536



0708537



0508511



0708536



0708537



OCAP	O.E.			
0508511	33506862865	STABILIZZATORE STABILIZER LINK		
0708536	33326851563	BRACCIO OSCILLANTE TRACK CONTROL ARM		
0708537	33326851569	BRACCIO OSCILLANTE TRACK CONTROL ARM		

DESTRO
RIGHT

 SINISTRO
LEFT

X3 2.5 i > 3.0 d

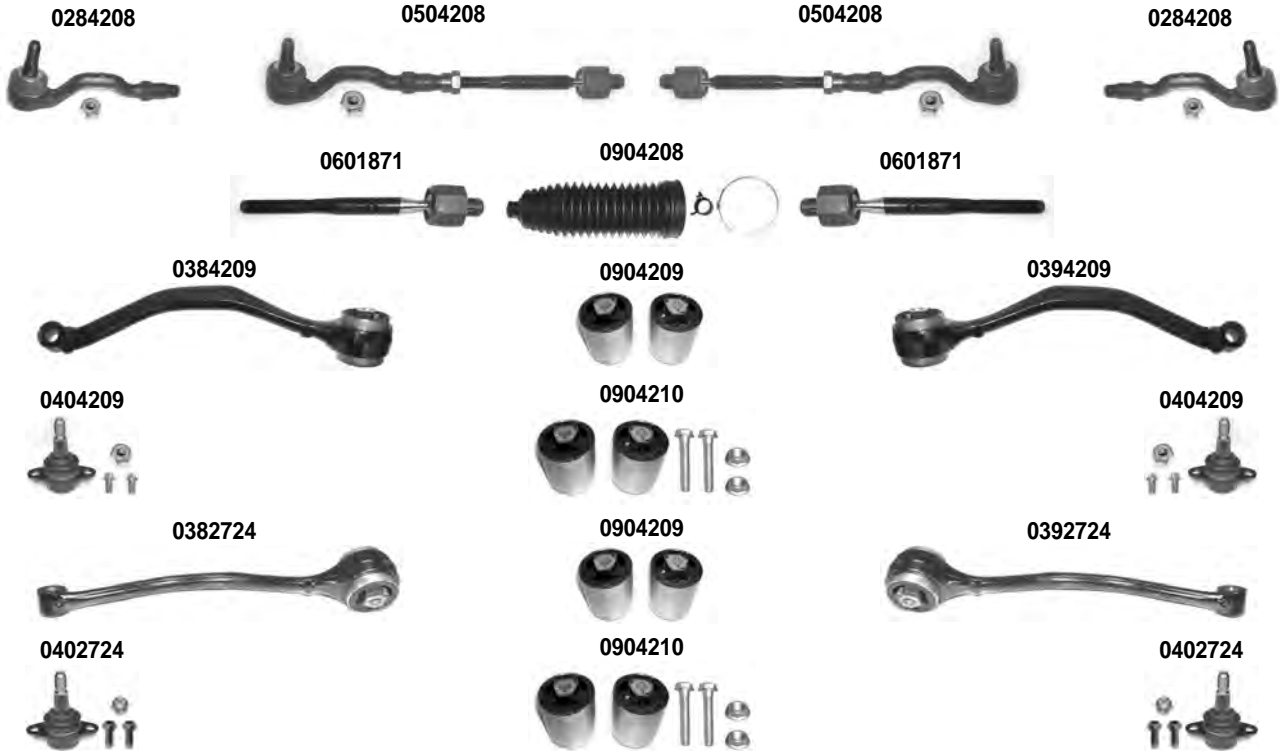
E 83

2003 >

Asse Anteriore



Front Axle



i 1) > 12/2006	2) 01/2007 >
-----------------------	--------------

OCAP	O.E.		i	
0284208	32303418202	TESTA STERZO TIE ROD END		RHT M14x1,5
0382724	31103443128	BRACCIO OSCILLANTE TRACK CONTROL ARM	2)	
0384209	31103412138	BRACCIO OSCILLANTE TRACK CONTROL ARM	1)	
0392724	31103443127	BRACCIO OSCILLANTE TRACK CONTROL ARM	2)	
0394209	31103412137	BRACCIO OSCILLANTE TRACK CONTROL ARM	1)	
0402724	31103438623	SNODO SOSPENSIONE BALL JOINT	2)	
0404209	31103418341	SNODO SOSPENSIONE BALL JOINT	1)	
0504208	32103444999	BARRA STERZO TIE ROD		
0601871	32103444999 *	SNODO ASSIALE AXIAL JOINT		RHT M14x1,5
0904208	32136751026	KIT CUFFIA STERZO STEERING GAITER KIT		
0904209	31120307882	KIT SILENTBLOCK BUSHINGS KIT		
0904210	31120307882 *	KIT SILENTBLOCK CON KIT VITI BUSHINGS KIT WITH BOLTS AND NUT KIT		

DESTRO
RIGHT



SINISTRO
LEFT

X3 2.5 i > 3.0 d

E 83

2003 >

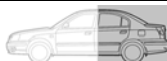
Asse Anteriore



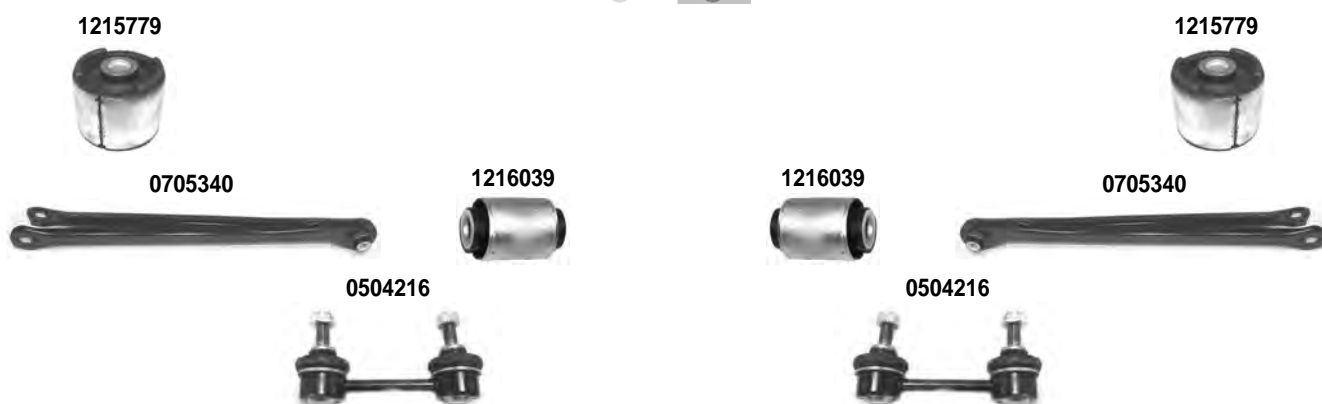
Front Axle



Asse Posteriore



Rear Axle



OCAP	O.E.			
0384214	31103451882	BRACCIO OSCILLANTE - ACCIAIO TRACK CONTROL ARM - STEEL		
0394214	31103451881	BRACCIO OSCILLANTE - ACCIAIO TRACK CONTROL ARM - STEEL		
0504216	33503414297	STABILIZZATORE STABILIZER LINK		
0584215	31303414300	STABILIZZATORE STABILIZER LINK		
0594215	31303414299	STABILIZZATORE STABILIZER LINK		
0705340	33326770813	BRACCIO OSCILLANTE TRACK CONTROL ARM		
1215018	31121124622	SILENTBLOCK BUSHING		
1215779	33326770786	SILENTBLOCK BUSHING		
1216039	33326770824	SILENTBLOCK BUSHING		

DESTRO
RIGHT

 SINISTRO
LEFT

 X3 xDrive 20 i > 35 d
X4 xDrive 20 i > 35 d

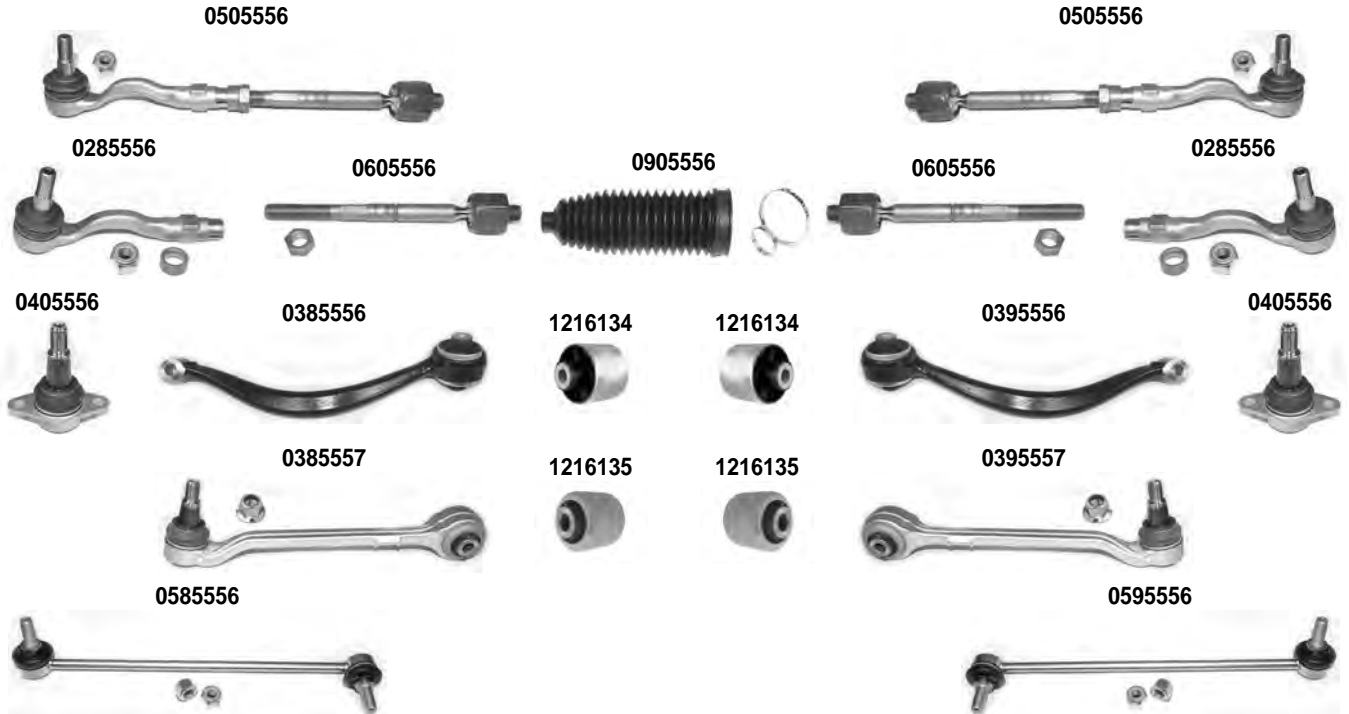
 F 25
F 26

 09/2010 > 2017
04/2014 > 2018

Asse Anteriore



Front Axle



OCAP	O.E.		
0285556	32106792674	TESTA STERZO TIE ROD END	RHT M16x1,5
0385556	31106787674	BRACCIO OSCILLANTE - INFERIORE TRACK CONTROL ARM - LOWER	
0385557	31126787670	BRACCIO OSCILLANTE - INFERIORE - POSTERIORE TRACK CONTROL ARM - LOWER - REAR	
0395556	31106787673	BRACCIO OSCILLANTE - INFERIORE TRACK CONTROL ARM - LOWER	
0395557	31126787669	BRACCIO OSCILLANTE - INFERIORE - POSTERIORE TRACK CONTROL ARM - LOWER - REAR	
0405556	31106787665	SNODO SOSPENSIONE - INFERIORE BALL JOINT - LOWER	
0505556	32106787472	BARRA STERZO TIE ROD	
0585556	31306787164	STABILIZZATORE STABILIZER LINK	
0595556	31306787163	STABILIZZATORE STABILIZER LINK	
0605556	32106787472 *	SNODO ASSIALE STERZO AXIAL JOINT	RHT M16x1,5
0905556	32106795845	KIT CUFFIA STERZO STEERING GAITER KIT	
1216134	31106786951	SILENTBLOCK BUSHING	
1216135	31106786959	SILENTBLOCK BUSHING	

X3 xDrive 20 i > 35 d

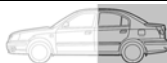
DESTRO
RIGHT



SINISTRO
LEFT

X3 xDrive 20 i > 35 d X4 xDrive 20 i > 35 d	F 25 F 26	09/2010 > 2017 04/2014 > 2018
--	--------------	----------------------------------

Asse Posteriore



Rear Axle

0705556

0705556






0505557



0505557



OCAP	O.E.			
0505557	33556790324	STABILIZZATORE STABILIZER LINK		
0705556	33326786978	BRACCIO OSCILLANTE - INFERIORE TRACK CONTROL ARM - LOWER		

DESTRO
RIGHT



SINISTRO
LEFT

X5 3.0 i > 4.8 is

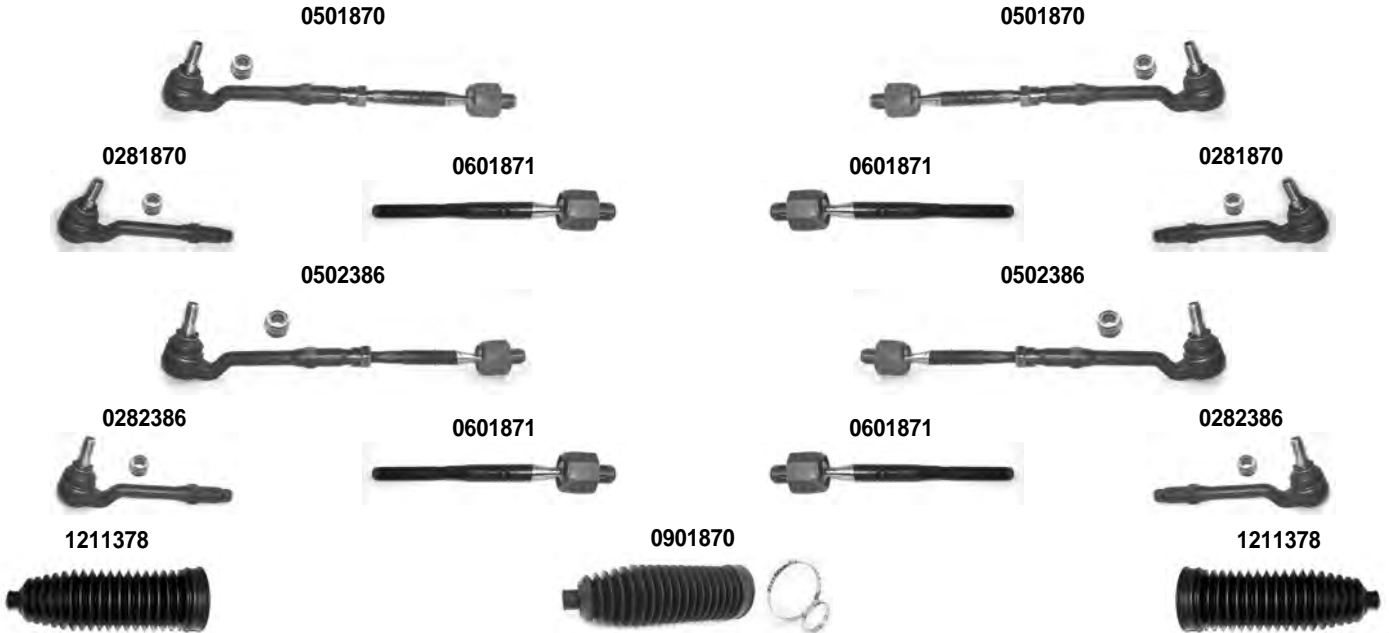
E 53

2000 > 2007

Asse Anteriore



Front Axle



i 1) > 10/2003 - ECCETTO -EXCEPT: MOD. 4.8is 2) 11/2003 > - TUTTI I MODELLI - ALL MODELS

OCAP	O.E.		
0281870	32211096327	TESTA STERZO TIE ROD END	1)
0282386	32106774335	TESTA STERZO TIE ROD END	2)
0501870	32216751277	BARRA STERZO TIE ROD	1)
0502386	32106774336	BARRA STERZO TIE ROD	2)
0601871	32103444999 *	SNODO ASSIALE AXIAL JOINT	
0901870	32136751026	KIT CUFFIE STERZO STEERING GAITER KIT	
1211378	32136751026 *	CUFFIA STERZO STEERING GAITER	

X5 3.0 i > 4.8 is

DESTRO
RIGHT



SINISTRO
LEFT

X5 3.0 i > 4.8 is

E 53

2000 > 2007

Asse Anteriore



Front Axle



OCAP	O.E.			
0381872	31126769718	BRACCIO OSCILLANTE - ACCIAIO TRACK CONTROL ARM		
0381873	31126760276	BRACCIO OSCILLANTE - ACCIAIO TRACK CONTROL ARM		
0391872	31126769717	BRACCIO OSCILLANTE - ACCIAIO TRACK CONTROL ARM		
0391873	31126760275	BRACCIO OSCILLANTE - ACCIAIO TRACK CONTROL ARM		
0401872	31126756491	SNODO SOSPENSIONE BALL JOINT		
0581874	31356750704	STABILIZZATORE STABILIZER LINK		
0591874	31356750703	STABILIZZATORE STABILIZER LINK		
1214147	31351097021	SILENTBLOCK BARRA STABILIZZATRICE STABILIZING BAR BUSHING		DIAM. 29 mm.
1215018	31121124622	SILENTBLOCK BUSHING		
1215568	31126769715	SILENTBLOCK BUSHING		

DESTRO
RIGHT



SINISTRO
LEFT

X5 3.0 i > 4.8 is

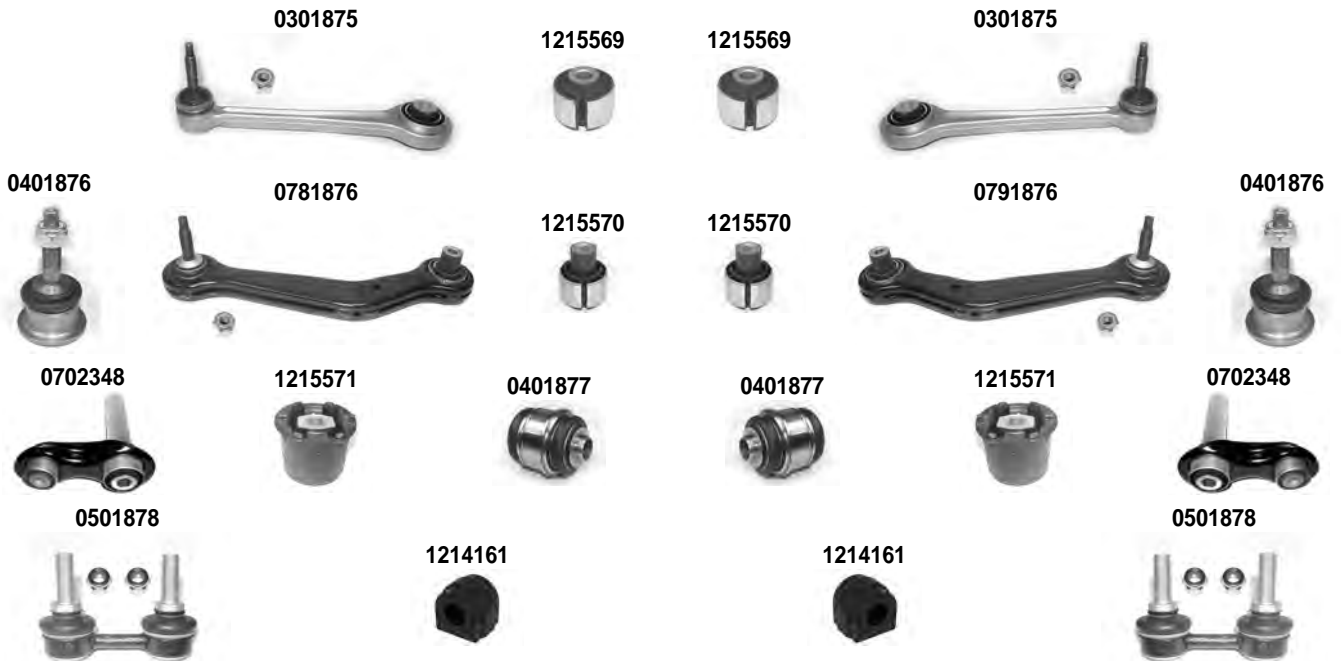
E 53


2000 > 2007

Asse Posteriore



Rear Axle



OCAP	O.E.		
0301875	33326774796	BRACCIO SOSPENSIONE - ALLUMINIO CONTROL ARM - ALUMINIUM	
0401876	-	SNODO SOSPENSIONE BALL JOINT	
0401877	33321095631	GIUNTO SOSPENSIONE SWING ARM JOINT	
0501878	33551096735	STABILIZZATORE STABILIZER LINK	
0702348	33326770749	BRACCIO OSCILLANTE TRACK CONTROL ARM	
0781876	33326770748	BRACCIO SOSPENSIONE CONTROL ARM	
0791876	33326770747	BRACCIO SOSPENSIONE CONTROL ARM	
1214161	33551096893	SILENTBLOCK BARRA STABILIZZATRICE STABILIZING BAR BUSHING	DIAM. 22 mm.
1215569	-	SILENTBLOCK BUSHING	
1215570	-	SILENTBLOCK BUSHING	
1215571	33311093662	SILENTBLOCK BUSHING	

DESTRO
RIGHT



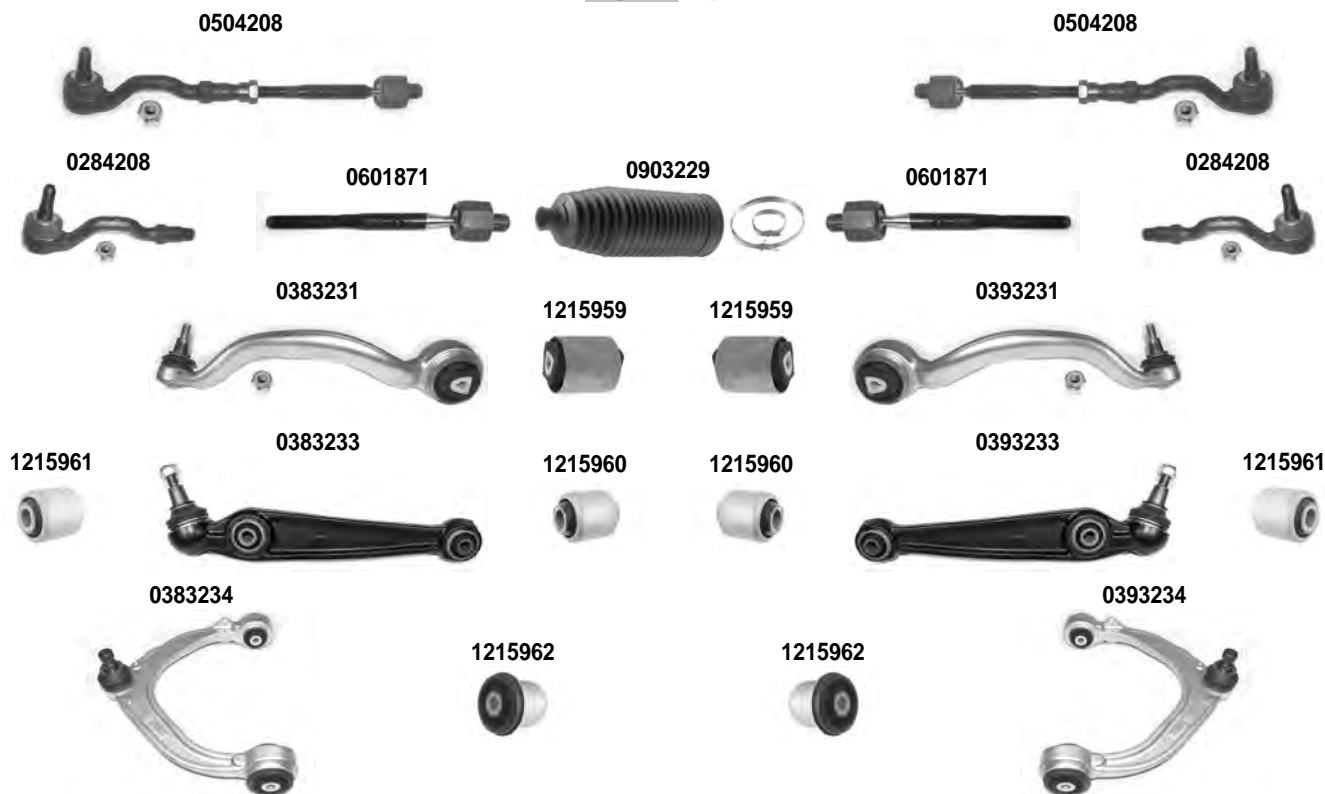
SINISTRO
LEFT

X5 X6	E 70 E 71 -E 72	2007 > 2013 2008 > 2014
----------	--------------------	----------------------------

Asse Anteriore



Front Axle



OCAP	O.E.			
0284208	32303418202	TESTA STERZO TIE ROD END		RHT M14x1,5
0383231	31126773950	BRACCIO OSCILLANTE - INFERIORE - ANTERIORE - ACCIAIO TRACK CONTROL ARM - LOWER - FRONT - STEEL		
0383233	31126771894	BRACCIO OSCILLANTE - INFERIORE - POSTERIORE - ACCIAIO TRACK CONTROL ARM - LOWER - REAR - STEEL		
0383234	31126776418	BRACCIO OSCILLANTE - SUPERIORE - ALLUMINIO TRACK CONTROL ARM - UPPER - ALUMINIUM		
0393231	31126773949	BRACCIO OSCILLANTE - INFERIORE - ANTERIORE - ACCIAIO TRACK CONTROL ARM - LOWER - FRONT - STEEL		
0393233	31126771893	BRACCIO OSCILLANTE - INFERIORE - POSTERIORE - ACCIAIO TRACK CONTROL ARM - LOWER - REAR - STEEL		
0393234	31126776417	BRACCIO OSCILLANTE - SUPERIORE - ALLUMINIO TRACK CONTROL ARM - UPPER - ALUMINIUM		
0504208	32103444999	BARRA STERZO TIE ROD		
0601871	32103444999 *	SNODO ASSIALE AXIAL JOINT		RHT M14x1,5
0903229	32106870519	KIT CUFFIA STERZO STEERING GAITER KIT		
1215959	31106778015	SILENTBLOCK BUSHING		
1215960	31106771194	SILENTBLOCK - ESTREMO OUTER BUSHING		
1215961	31106771897	SILENTBLOCK - CENTRALE CENTRAL BUSHING		
1215962	-	SILENTBLOCK BUSHING		

DESTRO
RIGHT

 SINISTRO
LEFT

X5 X6	E 70 E 71 -E 72	2007 > 2013 2008 > 2014
----------	--------------------	----------------------------

Asse Anteriore



Front Axle

0583235



0593235



Asse Posteriore



Rear Axle

0383237



1215963



1215963



0393237



0383238



1215964



1215964



0393238



0503239



0703236



0703236



0503239



OCAP	O.E.			
0383237	33326795048	BRACCIO OSCILLANTE - SUPERIORE TRACK CONTROL ARM - UPPER		
0383238	33326796002	BRACCIO OSCILLANTE - SUPERIORE - ALLUMINIO TRACK CONTROL ARM - UPPER - ALUMINIUM		
0393237	33326795047	BRACCIO OSCILLANTE - SUPERIORE TRACK CONTROL ARM - UPPER		
0393238	33326796001	BRACCIO OSCILLANTE - SUPERIORE - ALLUMINIO TRACK CONTROL ARM - UPPER - ALUMINIUM		
0503239	33556857626	STABILIZZATORE STABILIZER LINK		
0583235	31356859652	STABILIZZATORE STABILIZER LINK		
0593235	31356859651	STABILIZZATORE STABILIZER LINK		
0703236	33326774476	BRACCIO OSCILLANTE - INFERIORE TRACK CONTROL ARM - LOWER		
1215963	-	SILENTBLOCK BUSHING		
1215964	-	SILENTBLOCK BUSHING		

X5

DESTRO
RIGHT



SINISTRO
LEFT

X5 X6	F 15 - F 85 F 16 - F 86	08/2013 > 07/2018 08/2014 > 07/2019
----------	----------------------------	--

Asse Anteriore



Front Axle

0388672



1216431



1216431



0398672



OCAP	O.E.			
0388672	31126851692	BRACCIO OSCILLANTE - INFERIORE - ANTERIORE - ACCIAIO TRACK CONTROL ARM - LOWER - FRONT - STEEL		
0398672	31126851691	BRACCIO OSCILLANTE - INFERIORE - ANTERIORE - ACCIAIO TRACK CONTROL ARM - LOWER - FRONT - STEEL		
1216431	31126851693	SILENTBLOCK BUSHING		

DESTRO
RIGHT



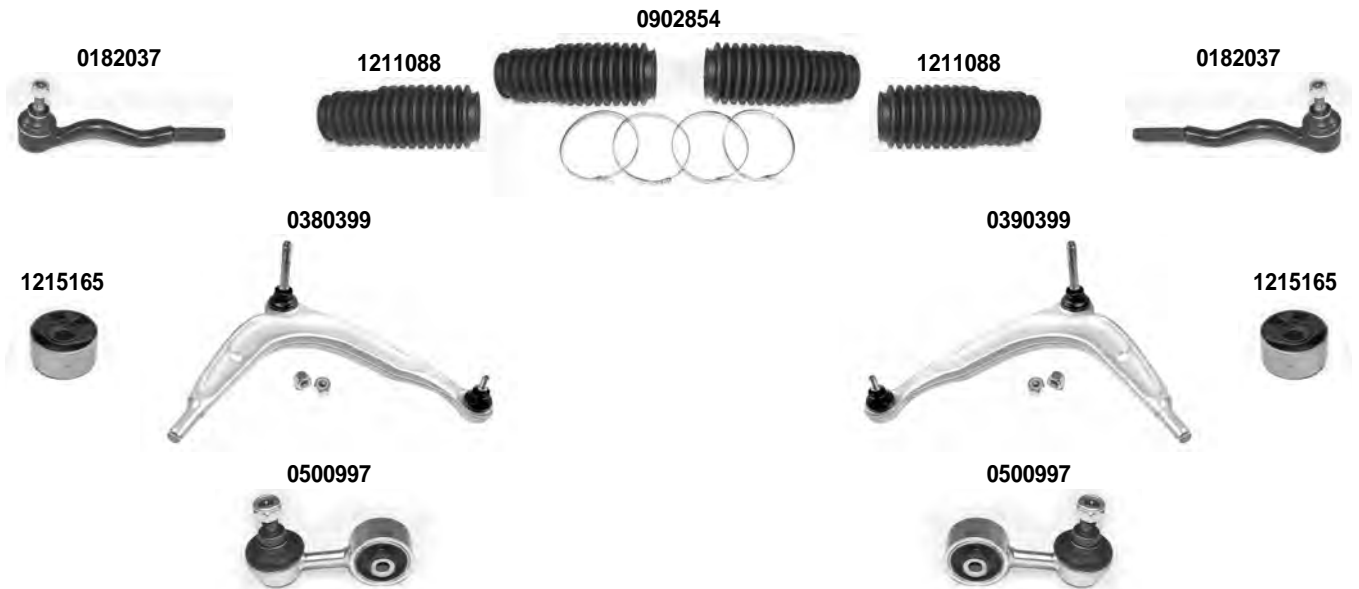
SINISTRO
LEFT

Z1	Z 1	1988 > 1991
----	-----	-------------

Asse Anteriore



Front Axle



i 1) ESCLUSO - EXCEPT: MOD. M3

OCAP	O.E.		
0182037	32111126757	TESTA STERZO TIE ROD END	RHT M14x1,5
0380399	31121130824	BRACCIO OSCILLANTE - ALLUMINIO TRACK CONTROL ARM - ALUMINIUM	
0390399	31121130823	BRACCIO OSCILLANTE - ALLUMINIO TRACK CONTROL ARM - ALUMINIUM	
0500997	31351091764	STABILIZZATORE STABILIZER LINK	1)
0902854	-	KIT CUFFIA STERZO STEERING GAITER KIT	
1211088	32111127104	CUFFIA STERZO STEERING GAITER	
1215165	31129058814	SILENTBLOCK BUSHING	

DESTRO
RIGHT



SINISTRO
LEFT

Z3 1.8 > M 3.2
Z3 Coupé - 2.8 > M

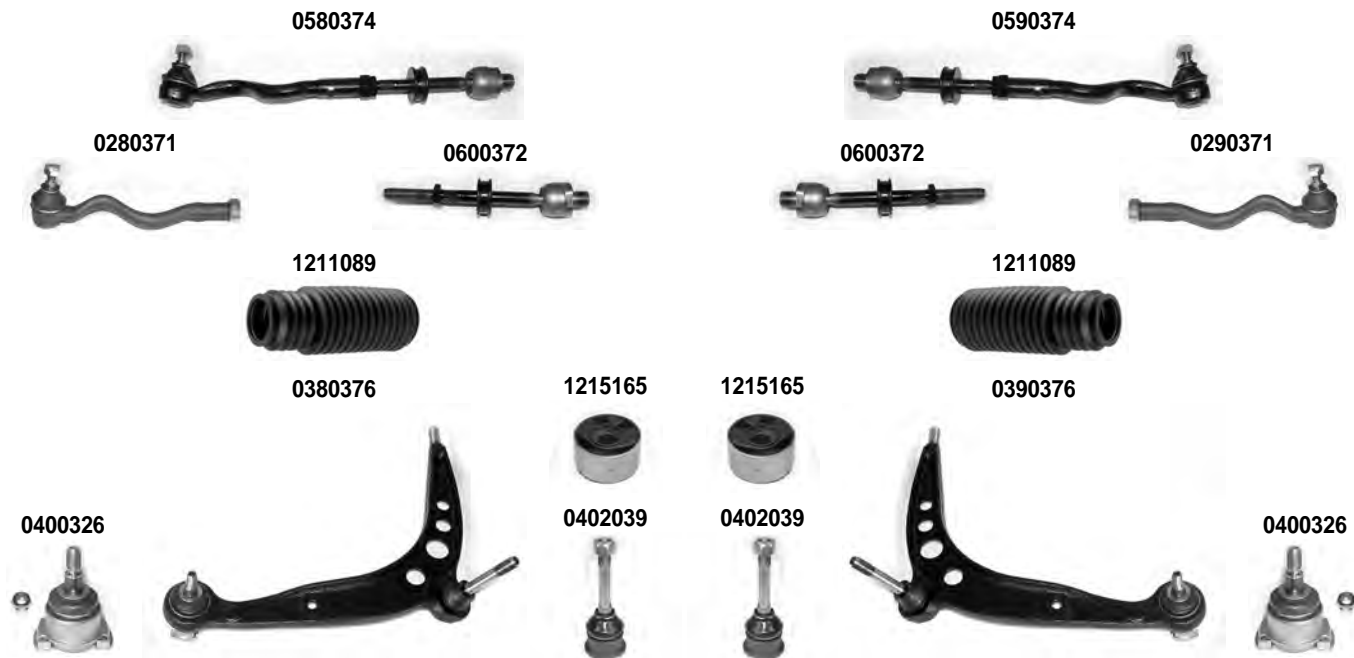
E 36
E 36

1996 > 2003
1997 > 2003

Asse Anteriore



Front Axle



i 1) ECCETTO - EXCEPT: MOD. M

OCAP	O.E.		i	
0280371	32111139314	TESTA STERZO TIE ROD END		RHT M14x1,5
0290371	32111139313	TESTA STERZO TIE ROD END		RHT M14x1,5
0380376	31126758516	BRACCIO OSCILLANTE - ACCIAIO TRACK CONTROL ARM - STEEL	1)	
0390376	31126758515	BRACCIO OSCILLANTE - ACCIAIO TRACK CONTROL ARM - STEEL	1)	
0400326	31126758510	SNODO SOSPENSIONE ESTREMO BALL JOINT OUTER	1)	
0402039	31121126253	SNODO SOSPENSIONE CENTRALE BALL JOINT CENTRAL	1)	
0580374	32111139316	BARRA STERZO TIE ROD		
0590374	32111139315	BARRA STERZO TIE ROD		
0600372	32111139316 *	SNODO ASSIALE AXIAL JOINT		RHT M14x1,5
1211089	32211139786	CUFFIA STERZO STEERING GAITER		
1215165	31129059288	SILENTBLOCK BUSHING	1)	

DESTRO
RIGHT



SINISTRO
LEFT

Z3 1.8 > M 3.2 Z3 Coupé - 2.8 > M	E 36 E 36	1996 > 2003 1997 > 2003
--------------------------------------	--------------	----------------------------

Asse Anteriore



Front Axle



i 1) ECCETTO - EXCEPT: MOD. M	2) SOLO PER - ONLY FOR: MOD. M
--------------------------------------	--------------------------------

OCAP	O.E.		i	
0500997	31351091764	STABILIZZATORE STABILIZER LINK	1)	
0503852	31352227203	STABILIZZATORE STABILIZER LINK	2)	
1214165	31351090860	SILENTBLOCK BARRA STABILIZZATRICE STABILIZING BAR BUSHING		DIAM. 23,5 mm.
1214166	31351090268	SILENTBLOCK BARRA STABILIZZATRICE STABILIZING BAR BUSHING		DIAM. 25,5 mm.
1214167	31351090186	SILENTBLOCK BARRA STABILIZZATRICE STABILIZING BAR BUSHING		DIAM. 25,5 mm.
1214168	31351090263	SILENTBLOCK BARRA STABILIZZATRICE STABILIZING BAR BUSHING		DIAM. 24 mm.
1214169	31351090300	SILENTBLOCK BARRA STABILIZZATRICE STABILIZING BAR BUSHING		DIAM. 22,5 mm.

DESTRO
RIGHT



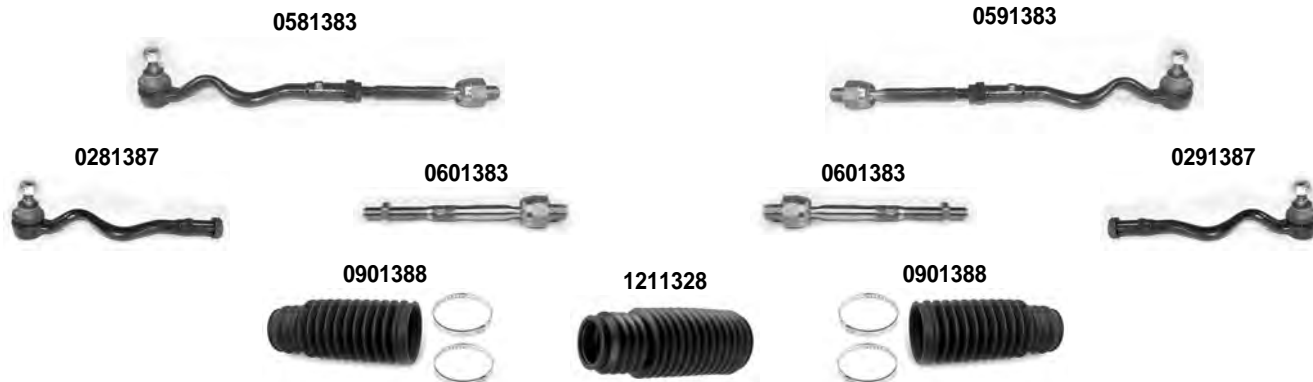
SINISTRO
LEFT

Z4 2.2 i - 3.0 i Z4 Coupé - 3.0 Si > M	E 85 E 86	2003 > 2006 >
---	--------------	------------------

Asse Anteriore



Front Axle



OCAP	O.E.			
0281387	32106774221	TESTA STERZO TIE ROD END		RHT M14x1,5
0291387	32106774220	TESTA STERZO TIE ROD END		RHT M14x1,5
0581383	32211096898	BARRA STERZO TIE ROD		
0591383	32111096897	BARRA STERZO TIE ROD		
0601383	32211096898 *	SNODO ASSIALE AXIAL JOINT		RHT M14x1,5
0901388	32131096910	KIT CUFFIA STERZO STEERING GAITER KIT		
1211328	-	CUFFIA STERZO STEERING GAITER		

DESTRO
RIGHT

 SINISTRO
LEFT

 Z4 2.2 i - 3.0 i
Z4 Coupé - 3.0 Si > M

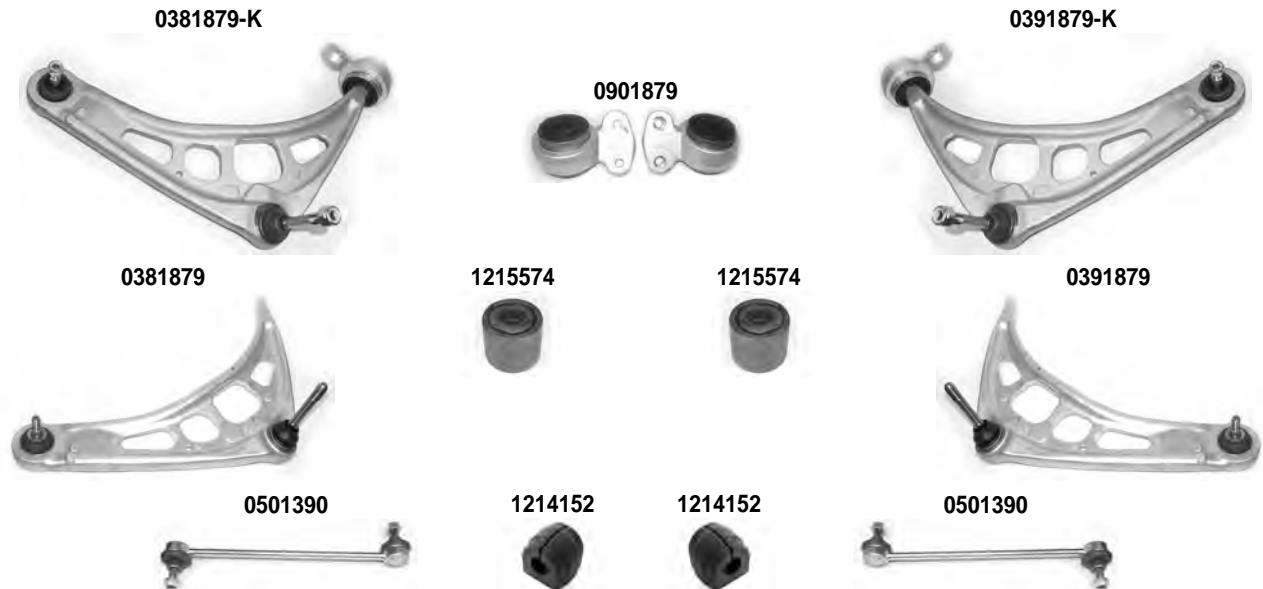
 E 85
E 86

 2003 >
2006 >

Asse Anteriore



Front Axle



Asse Posteriore



Rear Axle



OCAP	O.E.			
0381879	31126774820	BRACCIO OSCILLANTE - ALLUMINIO TRACK CONTROL ARM - ALUMINIUM		
0391879	31126774819	BRACCIO OSCILLANTE - ALLUMINIO TRACK CONTROL ARM - ALUMINIUM		
0501390	31351095694	STABILIZZATORE STABILIZER LINK		
0503853	33552282182	STABILIZZATORE STABILIZER LINK		
0901879	31126757623	KIT SUPPORTO BRACCIO ALLUMINIO CONTROL ARM SUPPORT KIT ALUMINIUM		
1214149	33551138104	SILENTBLOCK BARRA STABILIZZATRICE STABILIZING BAR BUSHING		DIAM. 18 mm.
1214152	31351094556	SILENTBLOCK BARRA STABILIZZATRICE STABILIZING BAR BUSHING		DIAM. 24 mm.
1215574	-	SILENTBLOCK SUPPORTO BRACCIO CONTROL ARM SUPPORT BUSHING		
0381879-K	31126774820 *	BRACCIO OSCILLANTE - ALLUMINIO - COMPLETO TRACK CONTROL ARM - ALUMINIUM - COMPLETE		
0391879-K	31126774819 *	BRACCIO OSCILLANTE - ALLUMINIO - COMPLETO TRACK CONTROL ARM - ALUMINIUM - COMPLETE		

Z4 II - sDrive 18 i > 35 is

DESTRO
RIGHT



SINISTRO
LEFT

Z4 II - sDrive 18 i > 35 is

E 89

05/2009 >

Asse Anteriore



Front Axle



OCAP	O.E.			
0282123	32106767782	TESTA STERZO TIE ROD END		RHT M14x1,5
0292123	32106767781	TESTA STERZO TIE ROD END		RHT M14x1,5
0384232	31126769798	BRACCIO OSCILLANTE - ALLUMINIO TRACK CONTROL ARM - ALUMINIUM		
0394232	31126769797	BRACCIO OSCILLANTE - ALLUMINIO TRACK CONTROL ARM - ALUMINIUM		
0582123	32106765236	BARRA STERZO TIE ROD		
0584236	31356765934	STABILIZZATORE - ALLUMINIO STABILIZER LINK - ALUMINIUM		
0592123	32106765235	BARRA STERZO TIE ROD		
0594236	31356765933	STABILIZZATORE - ALLUMINIO STABILIZER LINK - ALUMINIUM		
0602124	32106765235 *	SNODO ASSIALE AXIAL JOINT		RHT M14x1,5
0902287	32106765234	KIT CUFFIA STERZO STEERING GAITER KIT		
0904232	31120393540	KIT SILENTBLOCK BUSHINGS KIT		
1214156	31356765574	SILENTBLOCK BARRA STABILIZZATRICE STABILIZING BAR BUSHING		DIAM. 26,5 mm.
1215789	31126763719	SILENTBLOCK BUSHING		

DESTRO
RIGHT



SINISTRO
LEFT

Z4 II - sDrive 18 i > 35 is

E 89

05/2009 >

Asse Posteriore



Rear Axle

0705340



1216039



1216039



0705340



0503853



0503853



OCAP	O.E.			
0503853	33552283743	STABILIZZATORE STABILIZER LINK		
0705340	33326770813	BRACCIO OSCILLANTE TRACK CONTROL ARM		
1216039	33326770824	SILENTBLOCK BUSHING		

DESTRO
RIGHT



SINISTRO
LEFT

AVEO	T200 - T250	2005 >
------	-------------	--------

Asse Anteriore



Front Axle



i 1) SERVOSTERZO - POWER STEERING

OCAP	O.E.		i	
0284258	93740723	TESTA STERZO TIE ROD END	1)	RHT M12x1,5
0294258	93740722	TESTA STERZO TIE ROD END	1)	RHT M12x1,5
0404259	96535089	SNODO SOSPENSIONE - INFERIORE BALL JOINT - LOWER		
0504227	96275798	STABILIZZATORE STABILIZER LINK		
0602454	96535300	SNODO ASSIALE AXIAL JOINT		RHT M12x1,5
0784259	96535082	BRACCIO OSCILLANTE - INFERIORE TRACK CONTROL ARM - LOWER		
0794259	96535081	BRACCIO OSCILLANTE - INFERIORE TRACK CONTROL ARM - LOWER		
1216158	96535087	SILENTBLOCK CENTRALE CENTRAL BUSHING		
1216159	96653381	SILENTBLOCK ESTREMO OUTER BUSHING		

DESTRO
RIGHT

 SINISTRO
LEFT

AVEO

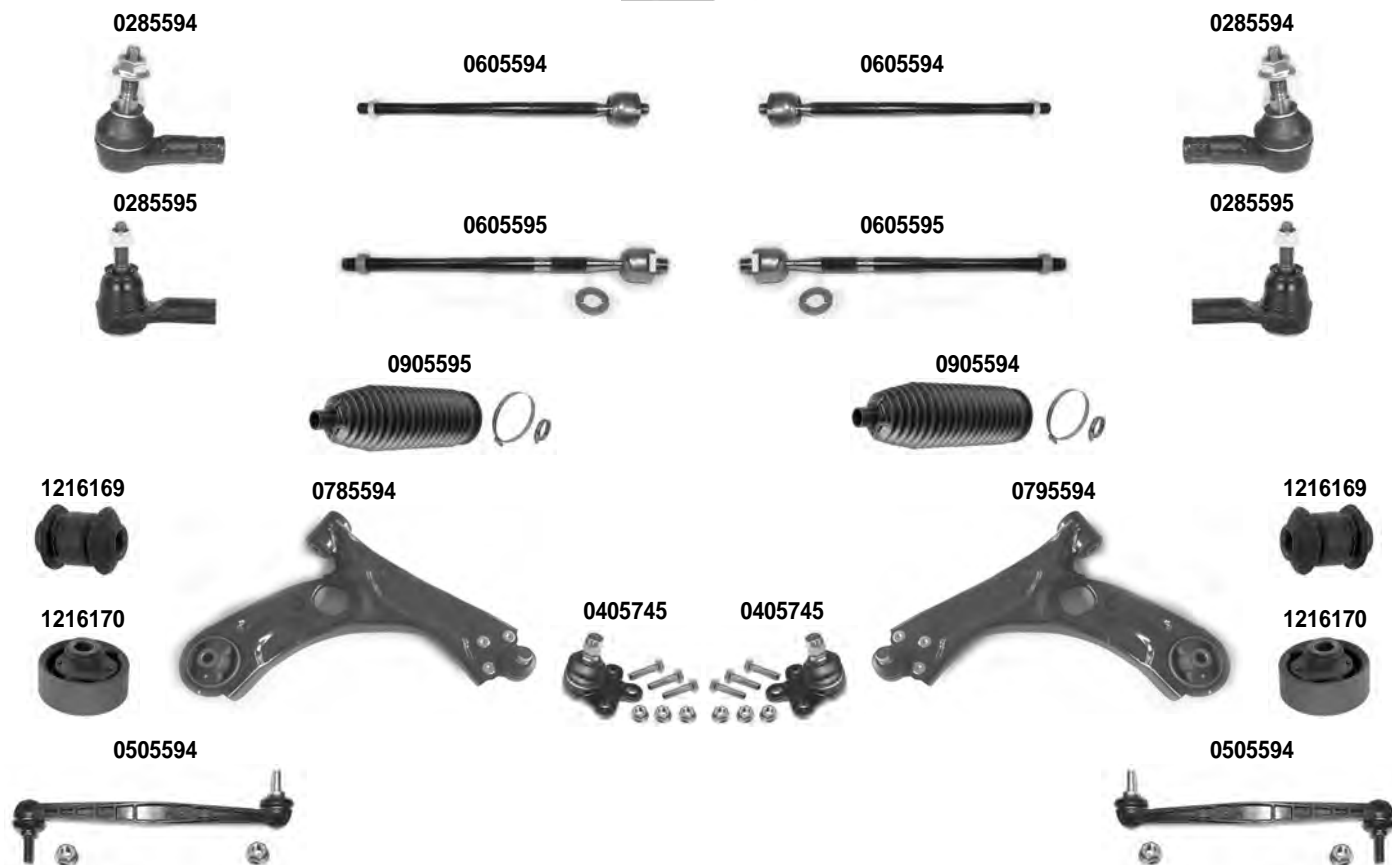
T300

03/2011 >

Asse Anteriore



Front Axle



i 1) MODELLI CON SERVOSTERZO ELETTRICO - ELECTRIC POWER STEERING MODELS
 2) ECCETTO MODELLI CON SERVOSTERZO ELETTRICO - XCEPT ELECTRIC POWER STEERING MODELS

OCAP	O.E.		i	
0285594	95952930	TESTA STERZO TIE ROD END	1)	RHT M14x1,5
0285595	95218393	TESTA STERZO TIE ROD END	2)	RHT M14x1,5
0405745	95916024	SNODO SOSPENSIONE - INFERIORE BALL JOINT - LOWER		
0505594	42342547	STABILIZZATORE STABILIZER LINK		
0605594	95952929	SNODO ASSIALE AXIAL JOINT	1)	RHT M14x1,5
0605595	95218372	SNODO ASSIALE AXIAL JOINT	2)	RHT M14x1,5
0785594	95017036	BRACCIO OSCILLANTE - INFERIORE TRACK CONTROL ARM - LOWER		
0795594	95017035	BRACCIO OSCILLANTE - INFERIORE TRACK CONTROL ARM - LOWER		
0905594	95952928	KIT CUFFIA STERZO STEERING BOOT KIT	1)	
0905595	95218371	KIT CUFFIA STERZO STEERING BOOT KIT	2)	
1216169	95017035 *	SILENTBLOCK CENTRALE CENTRAL BUSHING		
1216170	95017034 *	SILENTBLOCK ESTREMO OUTER BUSHING		

DESTRO
RIGHT



SINISTRO
LEFT

CAPTIVA

06/2006 >

Asse Anteriore



Front Axle



Asse Posteriore



Rear Axle



OCAP	O.E.			
0285337	96626667	TESTA STERZO TIE ROD END		RHT M14x1,5
0405337	4806301 *	SNODO SOSPENSIONE - INFERIORE BALL JOINT - LOWER		
0505169	96626150	STABILIZZATORE STABILIZER LINK		
0585337	4806305	STABILIZZATORE STABILIZER LINK		
0595337	4806304	STABILIZZATORE STABILIZER LINK		
0605337	4808602 *	SNODO ASSIALE AXIAL JOINT		RHT M14x1,5
0785337	4806301	BRACCIO OSCILLANTE - INFERIORE TRACK CONTROL ARM - LOWER		
0795337	4806300	BRACCIO OSCILLANTE - INFERIORE TRACK CONTROL ARM - LOWER		
1216024	4812870 **	SILENTBLOCK - CENTRALE CENTRAL BUSHING		
1216025	4817869	SILENTBLOCK - ESTREMO OUTER BUSHING		

DESTRO
RIGHT



SINISTRO
LEFT

CRUZE CRUZE 2 CRUZE SW	J300 J305 J308	05/2009 > 06/2011 08/2012 >
------------------------------	----------------------	-----------------------------------

Asse Anteriore



Front Axle



Asse Posteriore



Rear Axle



OCAP	O.E.			
0288080	13278359	TESTA STERZO TIE ROD END		RHT M16x1,5
0385167	13272606	BRACCIO OSCILLANTE - INFERIORE TRACK CONTROL ARM - LOWER		
0395167	13272605	BRACCIO OSCILLANTE - INFERIORE TRACK CONTROL ARM - LOWER		
0505168	13219141	STABILIZZATORE STABILIZER LINK		
0608080	13278358	SNODO ASSIALE AXIAL JOINT		RHT M16x1,5
1216010	13219090	SILENTBLOCK CENTRALE CENTRAL BUSHING		
1216011	13230774	SILENTBLOCK ESTREMO OUTER BUSHING		
1216325	402071	SILENTBLOCK BUSHING		

DESTRO
RIGHT



SINISTRO
LEFT

EPICA

06/2006 >

Asse Anteriore



Front Axle



Asse Posteriore



Rear Axle



i 1) 01/2007 >

OCAP	O.E.		i	
0282892	96205809	TESTA STERZO TIE ROD END		RHT M14x1,5
0405493	96639918	SNODO SOSPENSIONE BALL JOINT		
0505493	96639910	STABILIZZATORE STABILIZER LINK		
0584529	96225859	STABILIZZATORE STABILIZER LINK		
0594529	96225858	STABILIZZATORE STABILIZER LINK		
0602895	520808	SNODO ASSIALE AXIAL JOINT		RHT M14x1,5
0785493	96970077	BRACCIO OSCILLANTE TRACK CONTROL ARM	1)	
0795493	96970076	BRACCIO OSCILLANTE TRACK CONTROL ARM	1)	
1216174	96328434	SILENTBLOCK CENTRALE CENTRAL BUSHING		
1216175	96970075	SILENTBLOCK ESTREMO OUTER BUSHING		
1216176	96970074	SILENTBLOCK ESTREMO OUTER BUSHING		

DESTRO
RIGHT

 SINISTRO
LEFT

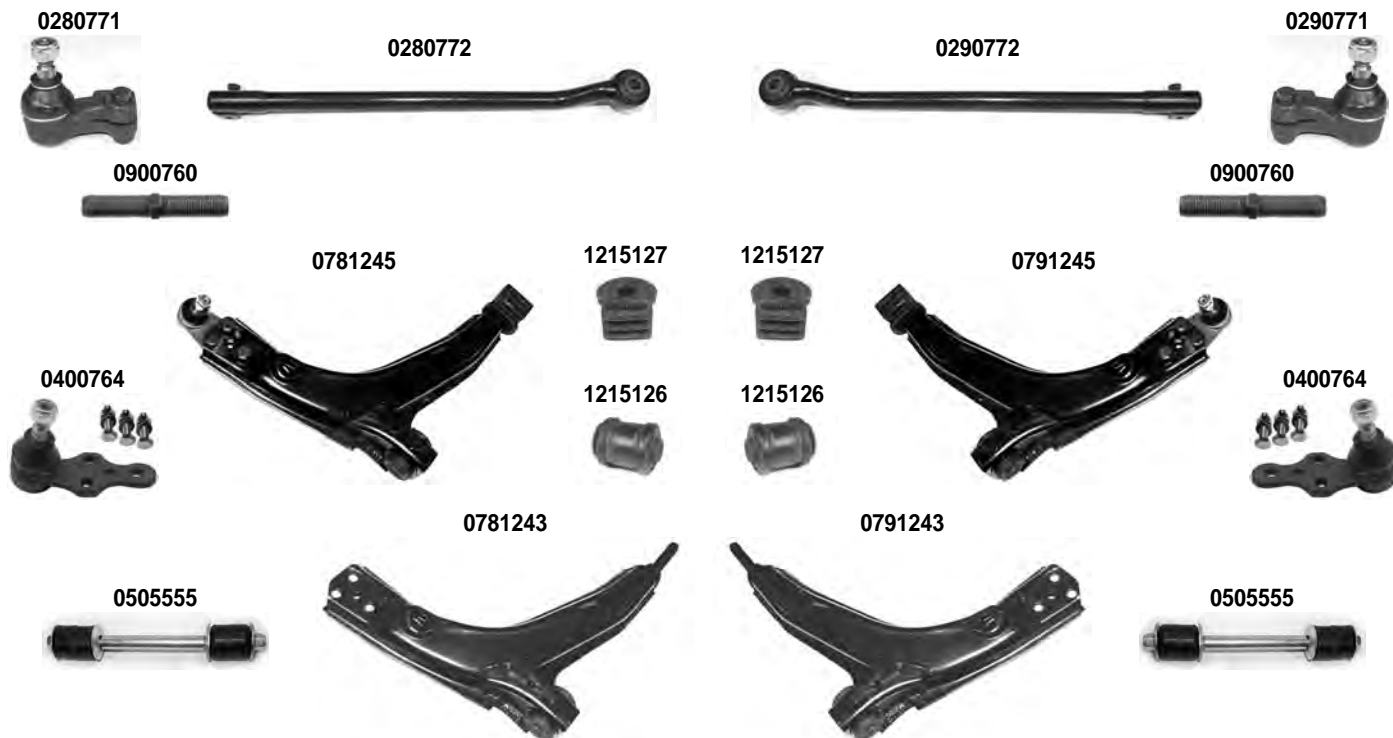
**ESPERO - NEXIA
LANOS**

 1991 >
1997 >

Asse Anteriore



Front Axle



OCAP	O.E.		i	
0280771	96275019	TESTA STERZO - ESTERNA TIE ROD END - OUTER		LHT M16x1,5
0280772	07848282	TESTA STERZO - INTERNA TIE ROD END - INNER		RHT M16x1,5
0290771	96275018	TESTA STERZO - ESTERNA TIE ROD END - OUTER		RHT M16x1,5
0290772	07848281	TESTA STERZO - INTERNA TIE ROD END - INNER		LHT M16x1,5
0400764	90375505	SNODO SOSPENSIONE INFERIORE BALL JOINT LOWER		
0505555	1603148	STABILIZZATORE STABILIZER LINK		
0781243	352124 **	BRACCIO OSCILLANTE - SENZA SNODO TRACK CONTROL ARM - WITHOUT BALL JOINT		
0781245	96218398	BRACCIO OSCILLANTE TRACK CONTROL ARM		
0791243	352123 **	BRACCIO OSCILLANTE - SENZA SNODO TRACK CONTROL ARM - WITHOUT BALL JOINT		
0791245	96218397	BRACCIO OSCILLANTE TRACK CONTROL ARM		
0900760	07846696	GIUNTO COLLEGAMENTO ADJUSTMENT BOLT		RHT M16x1,5 - LHT M16x1,5
1215126	352334	SILENTBLOCK CENTRALE CENTRAL BUSHING		
1215127	352338	SILENTBLOCK ESTREMO OUTER BUSHING		

DESTRO
RIGHT

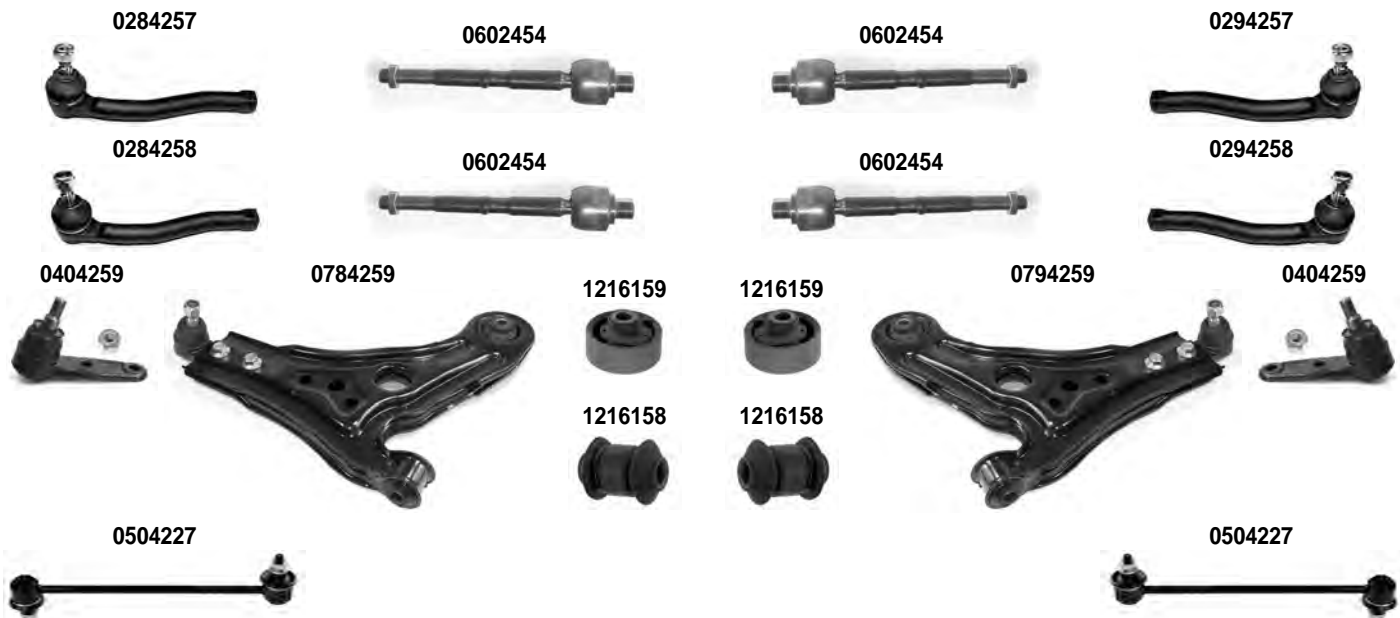


SINISTRO
LEFT

KALOS		2002 >
--------------	--	--------

Asse Anteriore

Front Axle



i 1) STERZO MANUALE - MANUAL STEERING	2) SERVOSTERZO - POWER STEERING
--	--

OCAP	O.E.		i	
0284257	93740623	TESTA STERZO TIE ROD END	1)	RHT M12x1,5
0284258	93740723	TESTA STERZO TIE ROD END	2)	RHT M12x1,5
0294257	93740622	TESTA STERZO TIE ROD END	1)	RHT M12x1,5
0294258	93740722	TESTA STERZO TIE ROD END	2)	RHT M12x1,5
0404259	96535089	SNODO SOSPENSIONE BALL JOINT		
0504227	96275798	STABILIZZATORE STABILIZER LINK		
0602454	96535300	SNODO ASSIALE AXIAL JOINT		RHT M12x1,5
0784259	96535082	BRACCIO OSCILLANTE TRACK CONTROL ARM		
0794259	96535081	BRACCIO OSCILLANTE TRACK CONTROL ARM		
1216158	96535087	SILENTBLOCK CENTRALE CENTRAL BUSHING		
1216159	96653381	SILENTBLOCK ESTREMO OUTER BUSHING		

DESTRO
RIGHT



SINISTRO
LEFT



KORANDO MUSSO	KJ	1999 >
	FJ	1999 >

Asse Anteriore



Front Axle



OCAP	O.E.		
0282443	4666005501	TESTA STERZO TIE ROD END	RHT M14x 1,5
0402445	4450505001	SNODO SOSPENSIONE - INFERIORE BALL JOINT - LOWER	
0402446	4443003011	SNODO SOSPENSIONE - SUPERIORE BALL JOINT - UPPER	
0502447	4475005001	STABILIZZATORE STABILIZER LINK	
0603276	-	SNODO ASSIALE AXIAL JOINT	RHT M14x 1,5

DESTRO
RIGHT



SINISTRO
LEFT

LEGANZA
EVANDA

1997 > 2002
08/2002 >

Asse Anteriore



Front Axle

0282892



0602895



0602895



0282892



0782894



0402894



0402894



0792894



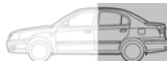
0584529



0594529



Asse Posteriore



Rear Axle

0504530



0504530



i 1) SOLO PER - ONLY FOR: MOD. LEGANZA

OCAP	O.E.		i	
0282892	96205809	TESTA STERZO TIE ROD END		RHT M14x1,5
0402894	96213119	SNODO SOSPENSIONE BALL JOINT	1)	
0504530	96207628	STABILIZZATORE STABILIZER LINK	1)	
0584529	96225859	STABILIZZATORE STABILIZER LINK		
0594529	96225858	STABILIZZATORE STABILIZER LINK		
0602895	520808	SNODO ASSIALE AXIAL JOINT		RHT M14x1,5
0782894	96213118	BRACCIO OSCILLANTE TRACK CONTROL ARM	1)	
0792894	96213117	BRACCIO OSCILLANTE TRACK CONTROL ARM	1)	

DESTRO
RIGHT

 SINISTRO
LEFT

MATIZ

1998 > 2000

Asse Anteriore



Front Axle

0282914

0282914

0602915

0602915

0604211

0604211

0604212

0604212

0701946

0701946


i 1) STERZO MANUALE - DIM. RUOTE 145/155 - MANUAL STEERING - WHEELS 145/155 3) SERVOSTERZO - POWER STEERING	2) STERZO MANUALE - DIM. RUOTE 175 - MANUAL STEERING - WHEELS 175
---	---

OCAP	O.E.			
0282914	48810-A78B00	TESTA STERZO <i>TIE ROD END</i>		
0602915	521255	SNODO ASSIALE <i>AXIAL JOINT</i>		RHT M12x1,5 L = 273 mm.
0604211	521257	SNODO ASSIALE <i>AXIAL JOINT</i>	1)	RHT M12x1,5 L = 273 mm.
0604212	KBJR45	SNODO ASSIALE <i>AXIAL JOINT</i>	2)	RHT M12x1,5 L = 268 mm.
0701946	96316765	BRACCIO OSCILLANTE <i>TRACK CONTROL ARM</i>	3)	L = 284 mm.

DESTRO
RIGHT



SINISTRO
LEFT

**MATIZ
SPARK**

2000 >
05/2005 >

Asse Anteriore



Front Axle

0282914



0604264



0604264



0282914



0604266



0604266



0701946



0701946



i 1) STERZO MANUALE - MANUAL STEERING	2) SERVOSTERZO - POWER STEERING
--	---------------------------------

OCAP	O.E.		i	
0282914	48810-A78B00	TESTA STERZO TIE ROD END		RHT M12x1,5
0604264	93741074	SNODO ASSIALE AXIAL JOINT	1)	RHT M12x1,5
0604266	93741092	SNODO ASSIALE AXIAL JOINT	2)	RHT M12x1,5
0701946	96316765	BRACCIO OSCILLANTE TRACK CONTROL ARM		L = 284 mm.

DESTRO
RIGHT



SINISTRO
LEFT

NUBIRA

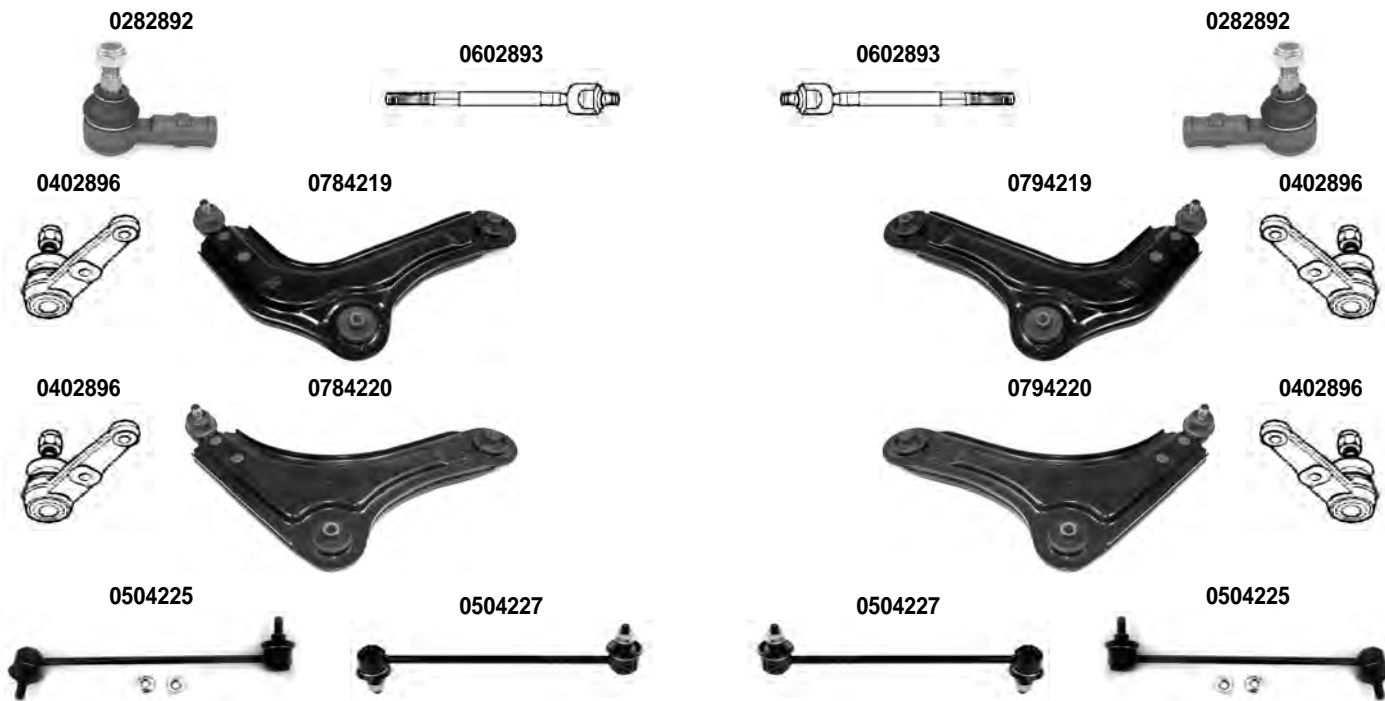
J100
J150

1997 > 1999
1999 > 2002

Asse Anteriore



Front Axle



Asse Posteriore




Rear Axle



i 1) SOLO PER - ONLY FOR: SERIE - SERIES J100
3) > CH. 698544

2) SOLO PER - ONLY FOR: SERIE - SERIES J150
4) CH. 698545 >

OCAP	O.E.		i	
0282892	96205809	TESTA STERZO TIE ROD END		RHT M14x1,5
0402896	96300648	SNODO SOSPENSIONE BALL JOINT		
0504225	96300627	STABILIZZATORE STABILIZER LINK	1)	
0504226	96300222	STABILIZZATORE STABILIZER LINK	3)	
0504227	96275798	STABILIZZATORE STABILIZER LINK		
0504245	96391876	STABILIZZATORE STABILIZER LINK	4)	
0602893	520838	SNODO ASSIALE AXIAL JOINT		RHT M14x1,5
0784219	96268440	BRACCIO OSCILLANTE - INFERIORE TRACK CONTROL ARM - LOWER	1)	
0784220	96268455	BRACCIO OSCILLANTE - INFERIORE TRACK CONTROL ARM - LOWER	2)	
0794219	96268439	BRACCIO OSCILLANTE - INFERIORE TRACK CONTROL ARM - LOWER	1)	
0794220	96268454	BRACCIO OSCILLANTE - INFERIORE TRACK CONTROL ARM - LOWER	2)	

DESTRO
RIGHT



SINISTRO
LEFT

NUBIRA
LACETTI

J200
J200

2002 >
04/2004 >

Asse Anteriore



Front Axle

0284247



0294247



0404248

0784248



0794248

0404248



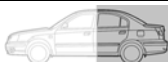
0584251



0594251



Asse Posteriore



Rear Axle

0508684



0508684



0508685



0508685



OCAP	O.E.			
0284247	96407486	TESTA STERZO TIE ROD END		RHT M14x1,5
0294247	96407485	TESTA STERZO TIE ROD END		RHT M14x1,5
0404248	96490218	SNODO SOSPENSIONE BALL JOINT		
0508684	96561754	STABILIZZATORE - PLASTICA STABILIZER LINK - PLASTIC		L=217 mm.
0508685	96561754	STABILIZZATORE - ACCIAIO STABILIZER LINK - STEEL		L=217 mm.
0584251	96403100	STABILIZZATORE STABILIZER LINK		
0594251	96403099	STABILIZZATORE STABILIZER LINK		
0784248	96391851	BRACCIO OSCILLANTE - INFERIORE TRACK CONTROL ARM - LOWER		
0794248	96391850	BRACCIO OSCILLANTE - INFERIORE TRACK CONTROL ARM - LOWER		

DESTRO
RIGHT



SINISTRO
LEFT

ORLANDO

J309

02/2011 >

Asse Anteriore



Front Axle

0288080



0608098



0608098



0288080



1211610



0905168



1211610



1211629



0905167



1211629




0505168



0505168



i 1) SERVOSTERZO ELETTRICO - ELECTRIC POWER STEERING	2) SERVOSTERZO IDRAULICO - HYDRAULIC POWER STEERING
---	---

OCAP	O.E.		i	
0288080	13278359	TESTA STERZO TIE ROD END		RHT M16x1,5
0505168	13219141	STABILIZZATORE STABILIZER LINK		
0608098	13286688	SNODO ASSIALE AXIAL JOINT		RHT M16x1,5
0905167	13278357	KIT CUFFIA STERZO STEERING GAITER KIT	2)	
0905168	13354440	KIT CUFFIA STERZO STEERING GAITER KIT	1)	
1211610	13354440 *	CUFFIA STERZO STEERING GAITER	1)	
1211629	13278357 *	CUFFIA STERZO STEERING GAITER	2)	

DESTRO
RIGHT



SINISTRO
LEFT

SPARK	M300	03/2010 >
-------	------	-----------

Asse Anteriore



Front Axle



OCAP	O.E.			
0285593	95967285	TESTA STERZO TIE ROD END		RHT M12x1,25
0405593	95032441 *	SNODO SOSPENSIONE BALL JOINT - LOWER		
0505593	95947829	STABILIZZATORE STABILIZER LINK		
0605593	95967294	SNODO ASSIALE AXIAL JOINT		RHT M12x1,25
0785593	95032441	BRACCIO OSCILLANTE - INFERIORE TRACK CONTROL ARM - LOWER		
0795593	95032440	BRACCIO OSCILLANTE - INFERIORE TRACK CONTROL ARM - LOWER		
1216167	95952783 *	SILENTBLOCK CENTRALE CENTRAL BUSHING		
1216168	95952782 *	SILENTBLOCK ESTREMO OUTER BUSHING		

DESTRO
RIGHT

 SINISTRO
LEFT

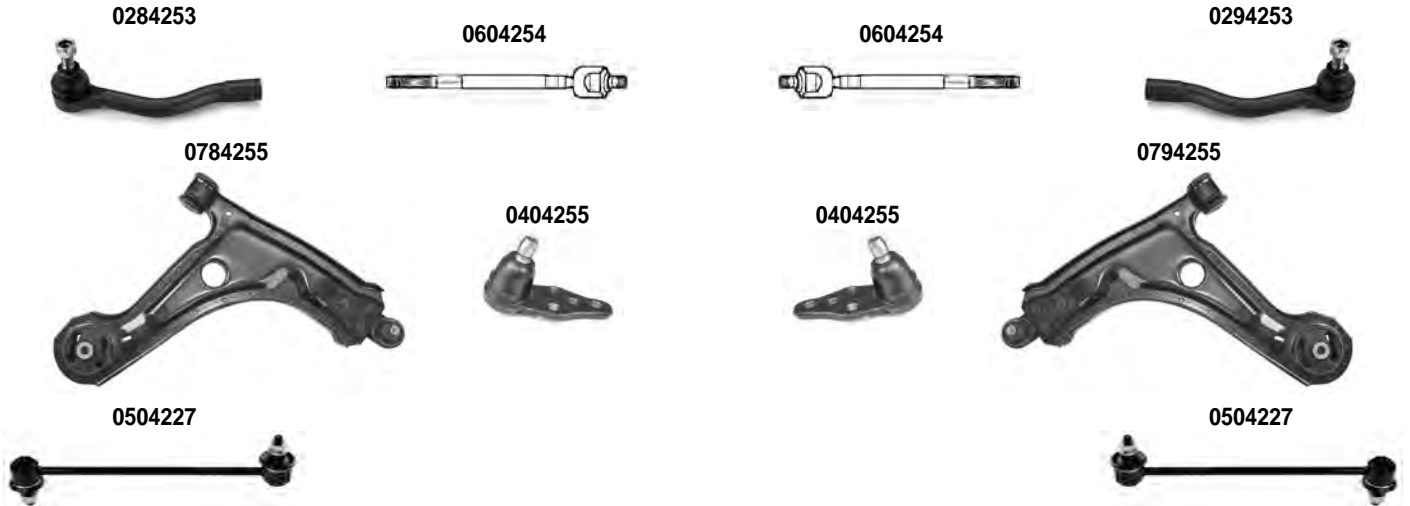
TACUMA - REZZO



2000 >

Asse Anteriore



Front Axle



OCAP	O.E.		i	
0284253	96261379	TESTA STERZO TIE ROD END		RHT M14x1,5
0294253	96261378	TESTA STERZO TIE ROD END		RHT M14x1,5
0404255	96261108	SNODO SOSPENSIONE BALL JOINT - LOWER		
0504227	96275798	STABILIZZATORE STABILIZER LINK		
0604254	93740621	SNODO ASSIALE AXIAL JOINT		RHT M14x1,5
0784255	96378348	BRACCIO OSCILLANTE - INFERIORE TRACK CONTROL ARM - LOWER		
0794255	96378347	BRACCIO OSCILLANTE - INFERIORE TRACK CONTROL ARM - LOWER		

TICO

DESTRO
RIGHT



SINISTRO
LEFT

TICO	1991 >
------	--------

Asse Anteriore



Front Axle

0282914



0604293



0604293



0282914



0701946



0701946



OCAP	O.E.			
0282914	48810-A78B00	TESTA STERZO TIE ROD END		RHT M12x1,5
0604293	48830A78B00	SNODO ASSIALE AXIAL JOINT		RHT M12x1,5
0701946	96316765	BRACCIO OSCILLANTE TRACK CONTROL ARM		L = 284 mm.

DESTRO
RIGHT

 SINISTRO
LEFT

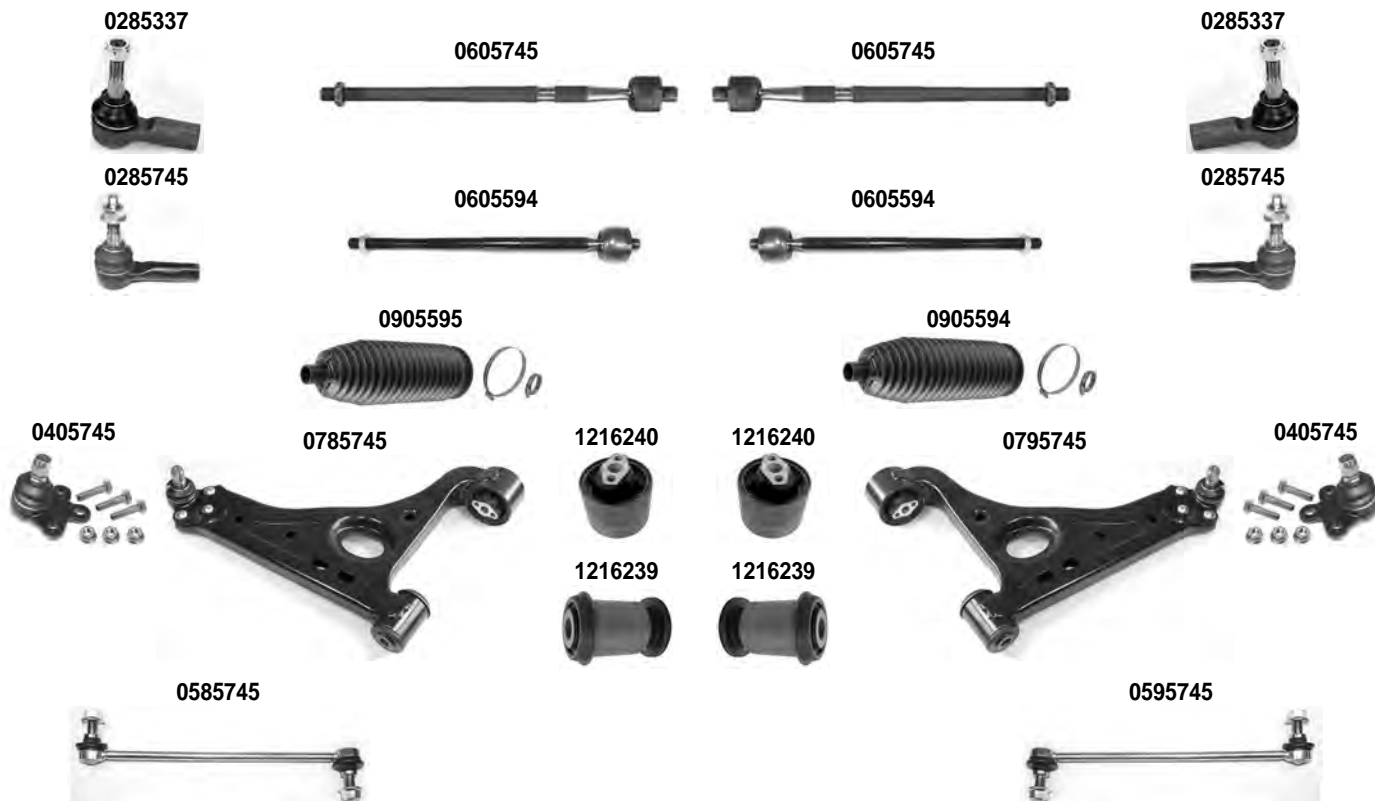
TRAX

12/2012 >

Asse Anteriore



Front Axle



i 1) MOD.: CON SERVOSTERZO IDRAULICO - WITH HYDRAULIC POWER STEERING		2) MOD.: CON SERVOSTERZO ELETTRICO - WITH ELECTRIC POWER STEERING		
OCAP	O.E.		i	
0285337	96626667	TESTA STERZO TIE ROD END	1)	RHT M14x1,5
0285745	95915222	TESTA STERZO TIE ROD END	2)	RHT M14x1,5
0405745	95916024	SNODO SOSPENSIONE - INFERIORE BALL JOINT - LOWER		
0585745	95942520	STABILIZZATORE STABILIZER LINK		
0595745	95942519	STABILIZZATORE STABILIZER LINK		
0605594	95952929	SNODO ASSIALE AXIAL JOINT	2)	RHT M14x1,5
0605745	95932789	SNODO ASSIALE AXIAL JOINT	1)	RHT M14x1,5
0785745	352552	BRACCIO OSCILLANTE - INFERIORE TRACK CONTROL ARM - LOWER		
0795745	352551	BRACCIO OSCILLANTE - INFERIORE TRACK CONTROL ARM - LOWER		
0905594	95952928	KIT CUFFIA STERZO STEERING BOOT KIT	2)	
0905595	95218371	KIT CUFFIA STERZO STEERING BOOT KIT	1)	
1216239	352523 *	SILENTBLOCK CENTRALE CENTRAL BUSHING		
1216240	352551 *	SILENTBLOCK ESTREMO OUTER BUSHING		

DESTRO
RIGHT



SINISTRO
LEFT

PT CRUISER PT CRUISER CABRIOLET'	PT	2000 > 2000 >
-------------------------------------	----	------------------

Asse Anteriore



Front Axle



Asse Posteriore



Rear Axle



OCAP	O.E.			
0284036	4762861AA	TESTA STERZO TIE ROD END		RHT M14x1,5
0404036	4656010	SNODO SOSPENSIONE - INFERIORE BALL JOINT- LOWER		
0504036	05272324AC	STABILIZZATORE STABILIZER LINK		
0504038	04656934AB	STABILIZZATORE STABILIZER LINK		
0604036	5272500AE	SNODO ASSIALE AXIAL JOINT		RHT M14x1,5
0784036	4656730AH	BRACCIO OSCILLANTE - INFERIORE TRACK CONTROL ARM - LOWER		
0794036	4656731AH	BRACCIO OSCILLANTE - INFERIORE TRACK CONTROL ARM - LOWER		
1216041	4656012AF	SILENTBLOCK - ESTREMO OUTER BUSHING		
1216042	04656731AH	SILENTBLOCK - CENTRALE CENTRAL BUSHING		

DESTRO
RIGHT



SINISTRO
LEFT

VOYAGER III

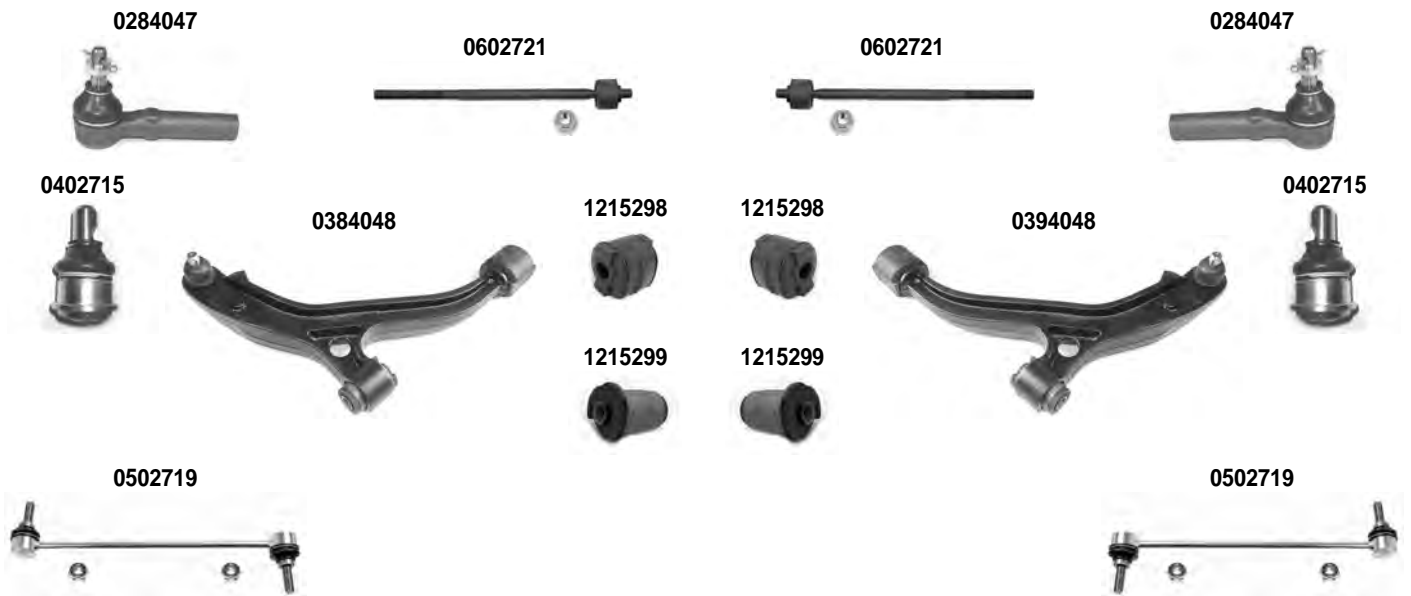
GS

1995 > 03/2001

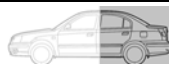
Asse Anteriore



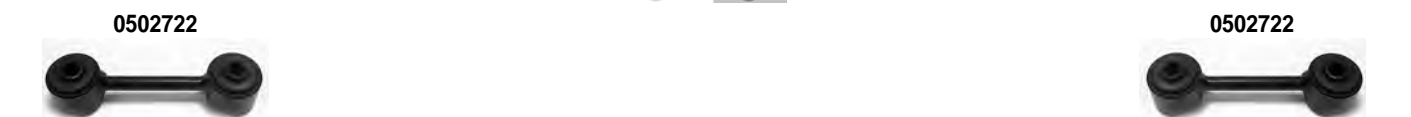
Front Axle



Asse Posteriore



Rear Axle



OCAP	O.E.			
0284047	4797706	TESTA STERZO TIE ROD END		RHT M14x1,5
0384048	4694760AC	BRACCIO OSCILLANTE - INFERIORE TRACK CONTROL ARM - LOWER		
0394048	4694761AC	BRACCIO OSCILLANTE - INFERIORE TRACK CONTROL ARM - LOWER		
0402715	4443405	SNODO SOSPENSIONE - INFERIORE BALL JOINT - LOWER		
0502719	4763669AB	STABILIZZATORE STABILIZER LINK		
0502722	5272190	STABILIZZATORE STABILIZER LINK		
0602721	04743935AD	SNODO ASSIALE AXIAL JOINT		RHT M14x1,5
1215298	4694761AC *	SILENTBLOCK - ESTREMO OUTER BUSHING		
1215299	4694760AC *	SILENTBLOCK - CENTRALE CENTRAL BUSHING		

DESTRO
RIGHT



SINISTRO
LEFT

VOYAGER IV

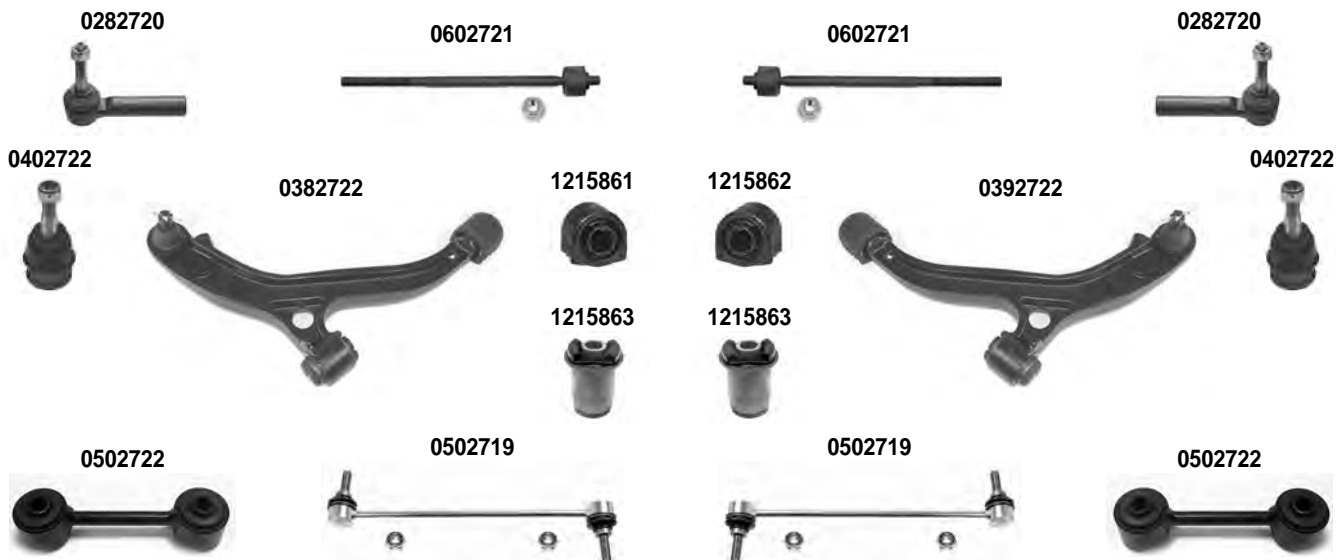
RG

02/2000 >

Asse Anteriore



Front Axle



OCAP	O.E.		
0282720	506637AA	TESTA STERZO TIE ROD END	RHT M14x1,5
0382722	4766542AD	BRACCIO OSCILLANTE - INFERIORE TRACK CONTROL ARM - LOWER	
0392722	4766543AD	BRACCIO OSCILLANTE - INFERIORE TRACK CONTROL ARM - LOWER	
0402722	4766543AA *	SNODO SOSPENSIONE - INFERIORE BALL JOINT - LOWER	
0502719	4743669AB	STABILIZZATORE STABILIZER LINK	
0502722	5272190	STABILIZZATORE STABILIZER LINK	
0602721	04743935AD	SNODO ASSIALE AXIAL JOINT	RHT M14x1,5
1215861	4743094AA	SILENTBLOCK - ESTREMO OUTER BUSHING	
1215862	4743095AA	SILENTBLOCK - ESTREMO OUTER BUSHING	
1215863	4684120	SILENTBLOCK - CENTRALE CENTRAL BUSHING	

DESTRO
RIGHT

 SINISTRO
LEFT

GRAND VOYAGER V

RT



10/2007 >

Asse Anteriore



Front Axle



OCAP	O.E.		
0285744	68033171AB	TESTA STERZO TIE ROD END	RHT M14x1,5
0405744	4766910AG *	SNODO SOSPENSIONE - INFERIORE BALL JOINT - LOWER	
0502719	4763669AB	STABILIZZATORE STABILIZER LINK	
0785744	4766910AE	BRACCIO OSCILLANTE - INFERIORE TRACK CONTROL ARM - LOWER	
0795744	4766911AE	BRACCIO OSCILLANTE - INFERIORE TRACK CONTROL ARM - LOWER	
1216213	5273731AB	SILENTBLOCK - CENTRALE CENTRAL BUSHING	
1216214	4766910AG **	SILENTBLOCK - ESTREMO OUTER BUSHING	

DESTRO
RIGHT

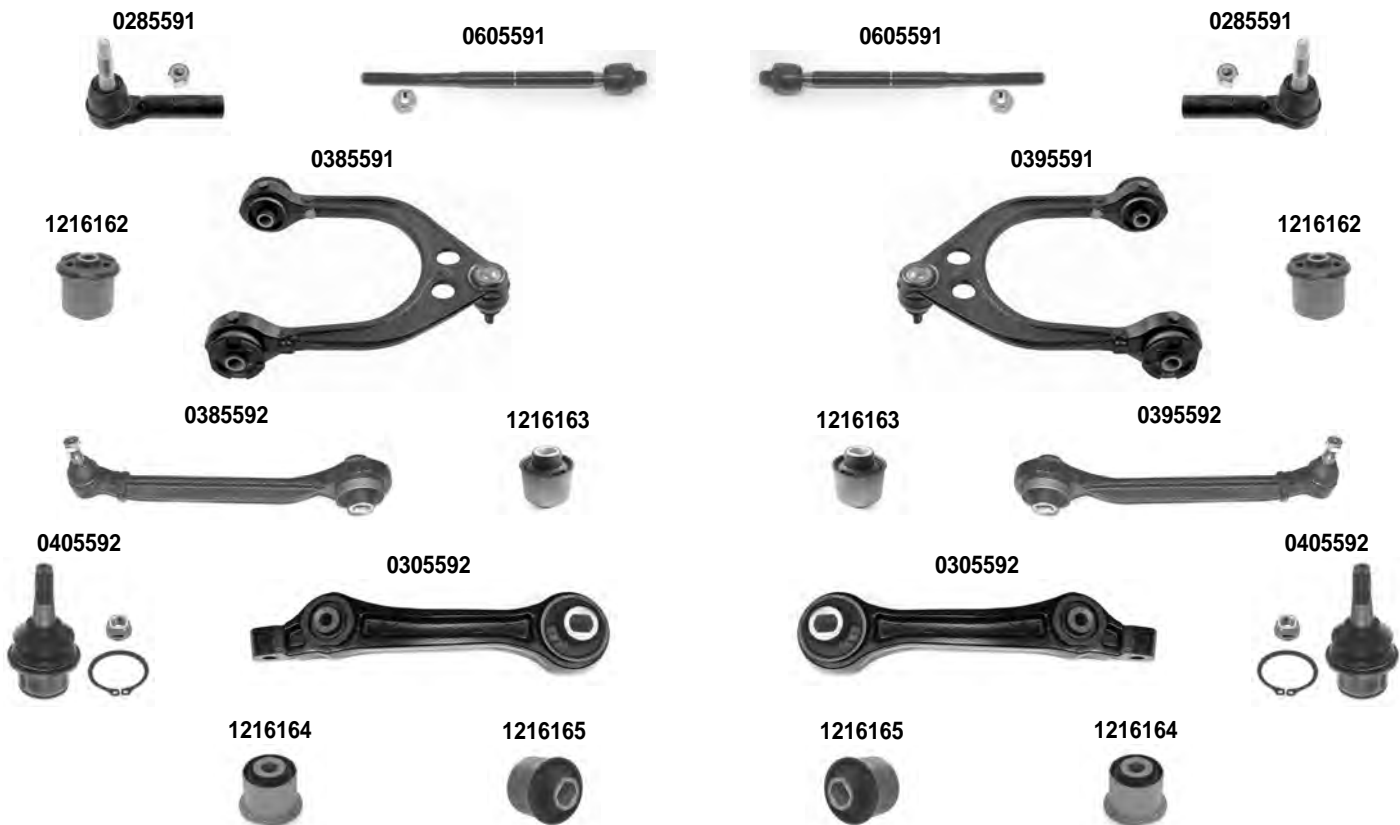


SINISTRO
LEFT

300 C	LX	09/2004 > 2012
-------	----	----------------

Asse Anteriore

Front Axle



OCAP	O.E.		
0285591	52013468AD	TESTA STERZO TIE ROD END	RHT M15x1,5
0305592	4782561AE	BRACCIO OSCILLANTE - INFERIORE TRACK CONTROL ARM - LOWER	
0385591	4782666AE	BRACCIO OSCILLANTE - SUPERIORE TRACK CONTROL ARM - UPPER	
0385592	4782612AD	BRACCIO OSCILLANTE - INFERIORE TRACK CONTROL ARM - LOWER	
0395591	4782665AE	BRACCIO OSCILLANTE - SUPERIORE TRACK CONTROL ARM - UPPER	
0395592	4782613AC	BRACCIO OSCILLANTE - INFERIORE TRACK CONTROL ARM - LOWER	
0405592	68159271AA	SNODO SOSPENSIONE - INFERIORE BALL JOINT - LOWER	
0605591	68028831AC	SNODO ASSIALE AXIAL JOINT	RHT M15x1,5
1216162	4782666AE *	SILENTBLOCK BUSHING	
1216163	4782612AC *	SILENTBLOCK BUSHING	
1216164	4782561AE *	SILENTBLOCK CENTRALE CENTRAL BUSHING	
1216165	4782561AE **	SILENTBLOCK ESTREMO OUTER BUSHING	

DESTRO
RIGHT

 SINISTRO
LEFT

300 C

LX

09/2004 > 2012

Asse Anteriore



Front Axle

0589279

0599279



Asse Posteriore



Rear Axle

0309274

0309274



0309275

0309275



0505592

0505592



OCAP	O.E.			
0309274	DA782745AB	BRACCIO OSCILLANTE - SUPERIORE TRACK CONTROL ARM - UPPER		
0309275	DA782836AB	BRACCIO OSCILLANTE - INFERIORE TRACK CONTROL ARM - LOWER		
0505592	4766866AA	STABILIZZATORE STABILIZER LINK		
0589279	4895482AB	STABILIZZATORE STABILIZER LINK		
0599279	4895483AB	STABILIZZATORE STABILIZER LINK		

AX

DESTRO
RIGHT



SINISTRO
LEFT

AX	1986 >
----	--------

Asse Anteriore

Front Axle



i 1) STERZO MANUALE - MANUAL STEERING 3) > 07/1991	2) SERVOSTERZO - POWER STEERING
--	---------------------------------

OCAP	O.E.		
0180558	96091568	TESTA STERZO TIE ROD END	LHT M14x1,5
0184101	381742	TESTA STERZO TIE ROD END	RHT M14x1,5
0194101	381741	TESTA STERZO TIE ROD END	RHT M14x1,5
0380175	96133609	BRACCIO OSCILLANTE TRACK CONTROL ARM	3)
0390175	96133608	BRACCIO OSCILLANTE TRACK CONTROL ARM	3)
0400559	95603309	SNODO SOSPENSIONE INFERIORE SUSPENSION JOINT - LOWER	3) DIAM. 14 mm.
0900801	95609129	GIUNTO COLLEGAMENTO ADJUSTMENT BOLT	RHT-LHT M14x1,5
1211170	406632	CUFFIA STERZO STEERING GAITER	
1211228	406634	CUFFIA STERZO STEERING GAITER	1)
1211294	406636	CUFFIA STERZO STEERING GAITER	2)
1215147	96133255	SILENTBLOCK ESTREMO OUTER BUSHING	
1215275	96603308	SILENTBLOCK CENTRALE CENTRAL BUSHING	

DESTRO
RIGHT



SINISTRO
LEFT

AX

AX		1986 >
----	--	--------

Asse Anteriore



Front Axle

1215275



0380313



0390313



1215275



1215058



0400199



0400199



1215058



1249276



1215368



1215366



1215367



1215392



1214113



i 4) 08/1991 >

OCAP	O.E.		i	
0380313	352079	BRACCIO OSCILLANTE TRACK CONTROL ARM	4)	
0390313	352078	BRACCIO OSCILLANTE TRACK CONTROL ARM	4)	
0400199	96093233	SNODO SOSPENSIONE INFERIORE SUSPENSION JOINT - LOWER	4)	DIAM. 16 mm.
1214113	509459	SILENTBLOCK BARRA STABILIZZATRICE STABILIZING BAR BUSHING		DIAM. 19 mm.
1215058	352351	SILENTBLOCK ESTREMO OUTER BUSHING		
1215275	96603308	SILENTBLOCK CENTRALE CENTRAL BUSHING		
1215366	509437	BOCCOLA BARRA STABILIZZATRICE STABILIZING BAR BUSHING		DIAM. 22 mm.
1215367	509440	BOCCOLA BARRA STABILIZZATRICE STABILIZING BAR BUSHING		DIAM. 23 mm.
1215368	509436	BOCCOLA BARRA STABILIZZATRICE STABILIZING BAR BUSHING		DIAM. 20 mm.
1215392	96064491	BOCCOLA LATERALE BARRA STABILIZZATRICE LATERAL STABILIZING BAR BUSHING		DIAM. 21 mm.
1249276	96054485	STAFFA BARRA STABILIZZATRICE BRACKET FOR STABILIZING BAR		

DESTRO
RIGHT



SINISTRO
LEFT

AX GTI	1991 >
--------	--------

Asse Anteriore

Front Axle



OCAP	O.E.			
0180558	96091568	TESTA STERZO TIE ROD END		LHT M14x1,5
0184101	381742	TESTA STERZO TIE ROD END		RHT M14x1,5
0194101	381741	TESTA STERZO TIE ROD END		RHT M14x1,5
0380211	352093	BRACCIO OSCILLANTE - GHISA TRACK CONTROL ARM - CAST IRON		
0390211	352092	BRACCIO OSCILLANTE - GHISA TRACK CONTROL ARM - CAST IRON		
0900801	95609129	GIUNTO COLLEGAMENTO ADJUSTMENT BOLT		RHT-LHT M14x1,5
1211170	406632	CUFFIA STERZO STEERING GAITER		
1211295	406650	CUFFIA STERZO STEERING GAITER		
1215112	352353	SILENTBLOCK ESTREMO OUTER BUSHING		DIAM. 16,6 mm.
1215210	352352	SILENTBLOCK CENTRALE CENTRAL BUSHING		

DESTRO
RIGHT

 SINISTRO
LEFT

AX GTI

1991 >

Asse Anteriore



Front Axle

0384101



1215112



1215112



0394101



1215210



1215210





0901081



1215393



OCAP	O.E.		
0384101	352093	BRACCIO OSCILLANTE - ACCIAIO TRACK CONTROL ARM - STEEL	
0394101	352092	BRACCIO OSCILLANTE - ACCIAIO TRACK CONTROL ARM - STEEL	
0901081	-	KIT BOCCOLA LATERALE BARRA STABILIZZATRICE KIT LATERAL RING FOR STABILIZING BAR	
1215112	352353	SILENTBLOCK ESTREMO OUTER BUSHING	DIAM. 16,6 mm.
1215210	352352	SILENTBLOCK CENTRALE CENTRAL BUSHING	
1215393	96064489	BOCCOLA LATERALE BARRA STABILIZZATRICE LATERAL STABILIZING BAR BUSHING	

DESTRO
RIGHT



SINISTRO
LEFT

AXEL - OLTCIT (RUMENIAN VERSION)

1981 >

Asse Anteriore



Front Axle

0180561



0600922



0600922



0180561



0400563



0400563



0400564



0400564



OCAP	O.E.			
0180561	-	TESTA STERZO TIE ROD END		RHT M14x1,5
0400563	75492489	SNODO SOSPENSIONE SUPERIORE BALL JOINT UPPER		
0400564	75492458	SNODO SOSPENSIONE INFERIORE BALL JOINT LOWER		
0600922	7700656318	SNODO ASSIALE AXIAL JOINT		RHT M14x1,5

DESTRO
RIGHT

 SINISTRO
LEFT

BERLINGO

1997 > 1999

Asse Anteriore



Front Axle



i 1) STERZO MANUALE - MANUAL STEERING			2) SERVOSTERZO - POWER STEERING	
OCAP	O.E.		i	
0180950	9471000965	TESTA STERZO TIE ROD END		RHT M14x1,5
0400641	364039	SNODO SOSPENSIONE - INFERIORE BALL JOINT - LOWER	1)	
0500639	3812E4 *	BARRA STERZO TIE ROD		
0600639	3812E4	SNODO ASSIALE AXIAL JOINT		RHT M14x1,5
0780072	3521A8	BRACCIO OSCILLANTE COMPLETO COMPLETE TRACK CONTROL ARM	1)	
0790072	3520F8	BRACCIO OSCILLANTE COMPLETO COMPLETE TRACK CONTROL ARM	1)	
1211114	406622	CUFFIA STERZO STEERING GAITER	2)	
1211208	406644	CUFFIA STERZO STEERING GAITER	1)	
1211209	406643	CUFFIA STERZO STEERING GAITER	1)	
1215144	352375	SILENTBLOCK ESTREMO OUTER BUSHING		
1215145	96110483	SILENTBLOCK CENTRALE CENTRAL BUSHING		

DESTRO
RIGHT



SINISTRO
LEFT

BERLINGO

1997 > 1999

Asse Anteriore

Front Axle



i 2) SERVOSTERZO - POWER STEERING
4) VERSIONE RINFORZATA - REINFORCED VERSION

3) SOLO PER - ONLY FOR: MOD. TURBODIESEL

OCAP	O.E.		i	
0400642	364042	SNODO SOSPENSIONE - INFERIORE BALL JOINT - LOWER	2) 3)	
0501548	508746	STABILIZZATORE STABILIZER LINK		
0505737	508746 *	STABILIZZATORE STABILIZER LINK	4)	
0780073	3521A7	BRACCIO OSCILLANTE COMPLETO COMPLETE TRACK CONTROL ARM	2) 3)	
0790073	3520F7	BRACCIO OSCILLANTE COMPLETO COMPLETE TRACK CONTROL ARM	2) 3)	
1214172	509477	SILENTBLOCK BARRA STABILIZZATRICE STABILIZING BAR BUSHING		DIAM. 22 mm.
1215144	352375	SILENTBLOCK ESTREMO OUTER BUSHING		
1215145	96110483	SILENTBLOCK CENTRALE CENTRAL BUSHING		

DESTRO
RIGHT



SINISTRO
LEFT

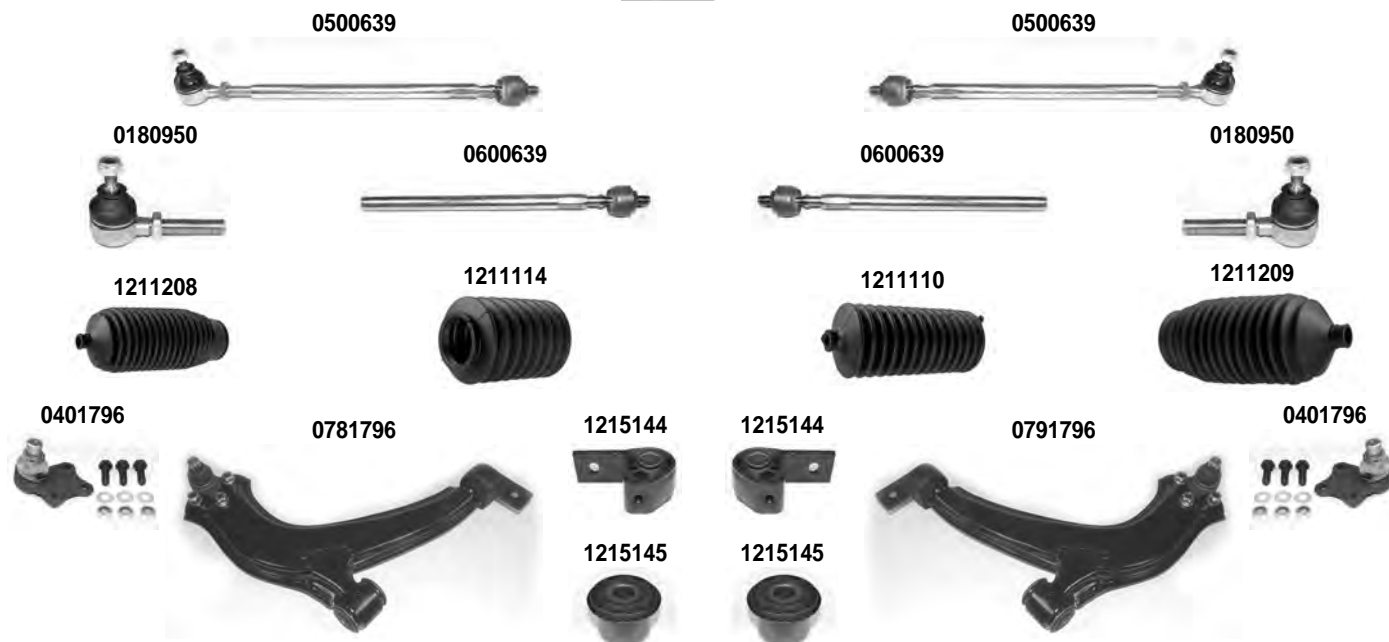
BERLINGO (EXCEPT 2000 HDI TD)

2000 > 03/2008

Asse Anteriore



Front Axle



i 1) STERZO MANUALE - MANUAL STEERING 3) 7973 >	2) SERVOSTERZO - POWER STEERING
---	---------------------------------

OCAP	O.E.		
0180950	9471000965	TESTA STERZO TIE ROD END	RHT M14x1,5
0401796	364050	SNODO SOSPENSIONE BALL JOINT	1) 3) DIAM. 18 mm.
0500639	3812E4 *	BARRA STERZO TIE ROD	
0600639	3812E4	SNODO ASSIALE AXIAL JOINT	RHT M14x1,5
0781796	-	BRACCIO OSCILLANTE - CON SNODO COMPLETE TRACK CONTROL ARM	1) 3)
0791796	-	BRACCIO OSCILLANTE - CON SNODO COMPLETE TRACK CONTROL ARM	1) 3)
1211110	406620	CUFFIA STERZO STEERING GAITER	2)
1211114	406622	CUFFIA STERZO STEERING GAITER	2)
1211208	406644	CUFFIA STERZO STEERING GAITER	1)
1211209	406643	CUFFIA STERZO STEERING GAITER	1)
1215144	352375	SILENTBLOCK ESTREMO OUTER BUSHING	
1215145	96110483	SILENTBLOCK CENTRALE CENTRAL BUSHING	

BERLINGO (EXCEPT 2000 HDI TD)

BERLINGO (EXCEPT 2000 HDI TD)

DESTRO
RIGHT



SINISTRO
LEFT

BERLINGO (EXCEPT 2000 HDI TD)

2000 > 03/2008

Asse Anteriore



Front Axle



i 2) SERVOSTERZO - POWER STEERING
4) VERSIONE RINFORZATA - REINFORCED VERSION 3) 7973 >

OCAP	O.E.		i	
0401797	364051	SNODO SOSPENSIONE BALL JOINT	2) 3)	DIAM. 18 mm.
0501548	508746	STABILIZZATORE STABILIZER LINK		
0505737	508746 *	STABILIZZATORE STABILIZER LINK	4)	
0781797	-	BRACCIO OSCILLANTE COMPLETO - INFERIORE COMPLETE TRACK CONTROL ARM - LOWER	2) 3)	
0781827	3521E8	BRACCIO OSCILLANTE - SENZA SNODO TRACK CONTROL ARM - WITHOUT BALL JOINT	3)	
0791797	-	BRACCIO OSCILLANTE COMPLETO - INFERIORE COMPLETE TRACK CONTROL ARM - LOWER	2) 3)	
0791827	3520H8	BRACCIO OSCILLANTE - SENZA SNODO TRACK CONTROL ARM - WITHOUT BALL JOINT	3)	
1215144	352375	SILENTBLOCK ESTREMO OUTER BUSHING		
1215145	96110483	SILENTBLOCK CENTRALE CENTRAL BUSHING		

DESTRO
RIGHT

 SINISTRO
LEFT

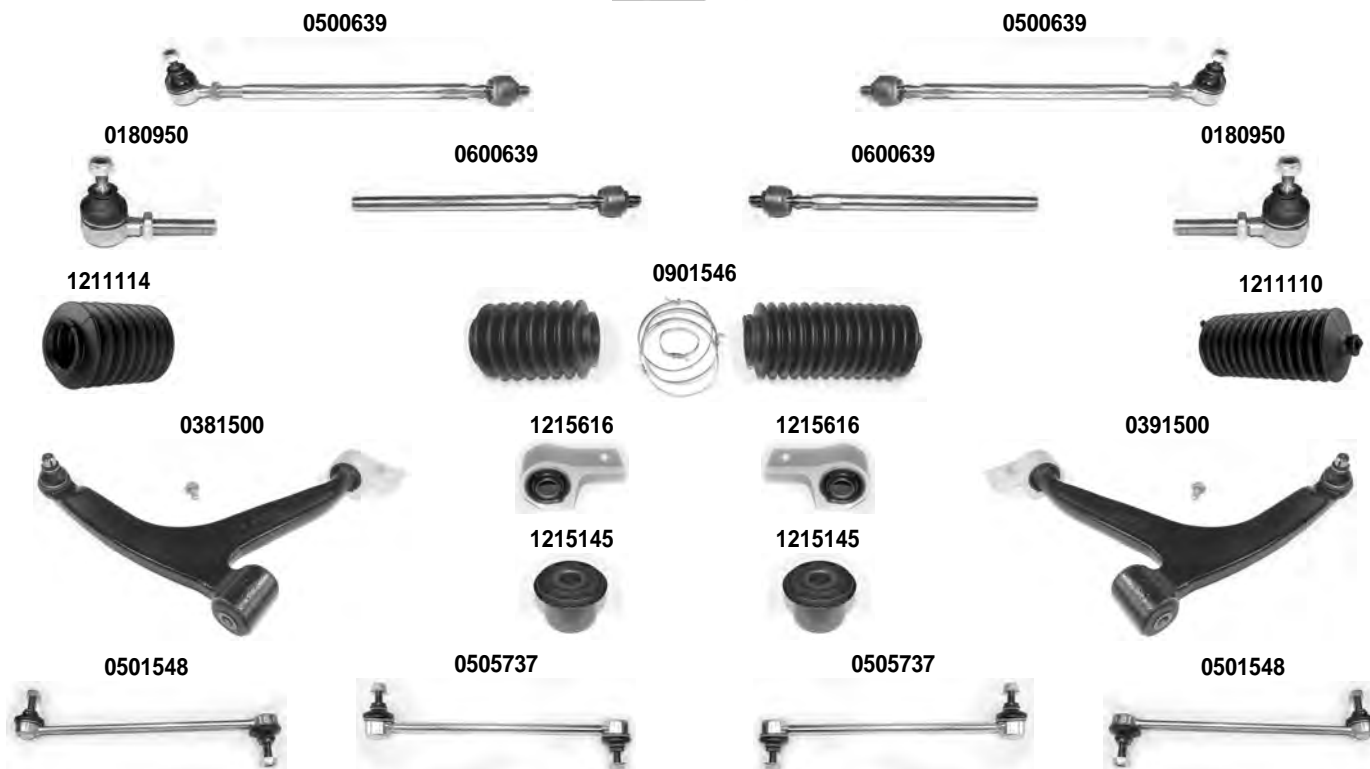
BERLINGO 2000 HDI TD

2000 > 03/2008

Asse Anteriore



Front Axle



i 1) SERVOSTERZO - POWER STEERING 3) VERSIONE RINFORZATA - REINFORCED VERSION	2) TUTTI I MODELLI - ALL MODELS
---	---------------------------------

OCAP	O.E.		i	
0180950	9471000965	TESTA STERZO TIE ROD END		RHT M14x1,5
0381500	3521R4	BRACCIO OSCILLANTE TRACK CONTROL ARM	2)	
0391500	3520V3	BRACCIO OSCILLANTE TRACK CONTROL ARM	2)	
0500639	3812E4 *	BARRA STERZO TIE ROD		
0501548	508746	STABILIZZATORE STABILIZER LINK		
0505737	508746 *	STABILIZZATORE STABILIZER LINK	3)	
0600639	3812E4	SNODO ASSIALE AXIAL JOINT		RHT M14x1,5
0901546	406622 *	KIT CUFFIE STERZO STEERING GAITER KIT	1)	
1211110	406020	CUFFIA STERZO STEERING GAITER	1)	
1211114	406022	CUFFIA STERZO STEERING GAITER	1)	
1215145	96110483	SILENTBLOCK CENTRALE CENTRAL BUSHING		
1215616	352383	SILENTBLOCK ESTREMO OUTER BUSHING		

DESTRO
RIGHT



SINISTRO
LEFT

BERLINGO 2000 HDI TD

2000 > 03/2008

Asse Anteriore



Front Axle



i 4) STERZO MANUALE - MANUAL STEERING
6) TUTTI I MODELLI - ALL MODELS - 09064FV >

5) SERVOSTERZO - POWER STEERING - ALL MODELS

OCAP	O.E.		
0401796	364050	SNODO SOSPENSIONE BALL JOINT	4) DIAM. 18 mm.
0401797	364051	SNODO SOSPENSIONE BALL JOINT	5) DIAM. 18 mm.
0781796	-	BRACCIO OSCILLANTE - CON SNODO COMPLETE TRACK CONTROL ARM	4)
0781797	-	BRACCIO OSCILLANTE COMPLETO - INFERIORE COMPLETE TRACK CONTROL ARM - LOWER	5)
0781827	3521E8	BRACCIO OSCILLANTE - SENZA SNODO TRACK CONTROL ARM - WITHOUT BALL JOINT	6)
0791796	-	BRACCIO OSCILLANTE - CON SNODO COMPLETE TRACK CONTROL ARM	4)
0791797	-	BRACCIO OSCILLANTE COMPLETO - INFERIORE COMPLETE TRACK CONTROL ARM - LOWER	5)
0791827	3520H8	BRACCIO OSCILLANTE - SENZA SNODO TRACK CONTROL ARM - WITHOUT BALL JOINT	6)
1215144	352375	SILENTBLOCK ESTREMO OUTER BUSHING	
1215145	96110483	SILENTBLOCK CENTRALE CENTRAL BUSHING	

DESTRO
RIGHT

 SINISTRO
LEFT

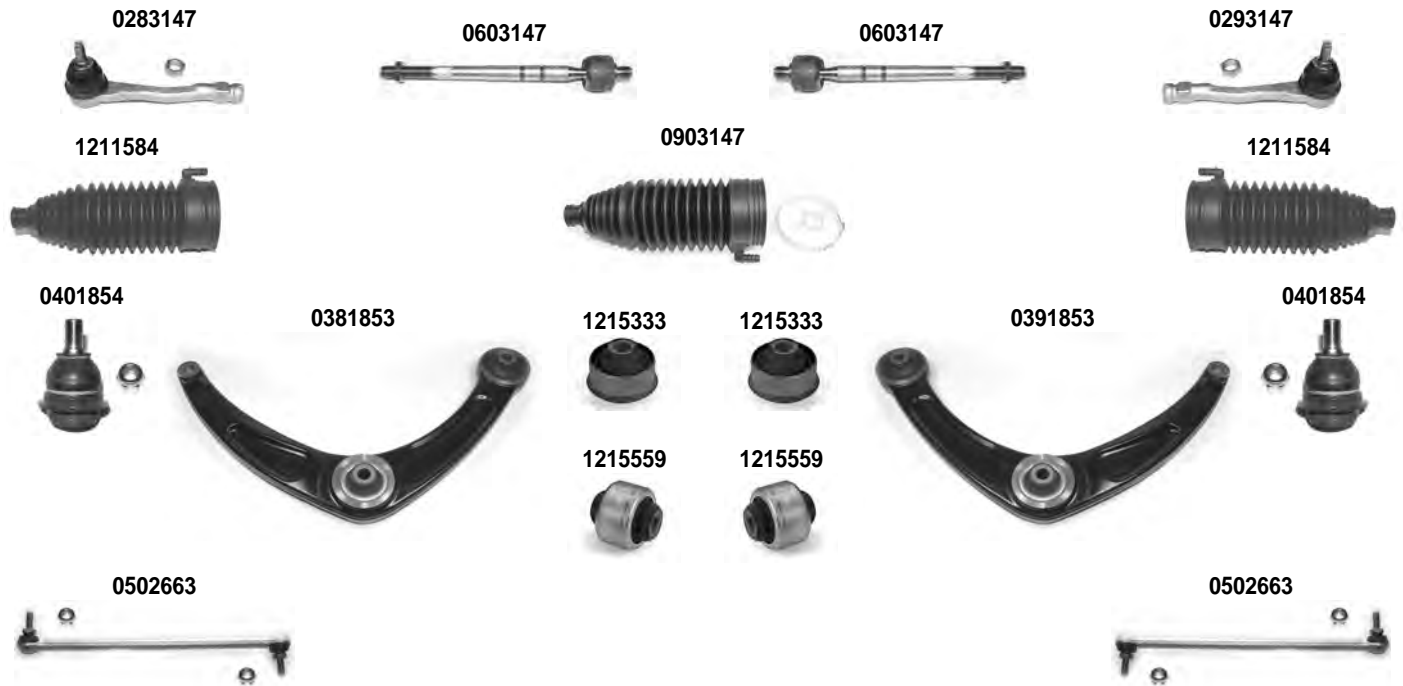
BERLINGO

04/2008 >

Asse Anteriore



Front Axle



OCAP	O.E.		
0283147	381775	TESTA STERZO TIE ROD END	RHT M14x1,5
0293147	381776	TESTA STERZO TIE ROD END	RHT M14x1,5
0381853	3521P3	BRACCIO OSCILLANTE - INFERIORE - ACCIAIO TRACK CONTROL ARM - LOWER - STEEL	
0391853	3520S2	BRACCIO OSCILLANTE - INFERIORE - ACCIAIO TRACK CONTROL ARM - LOWER - STEEL	
0401854	364073	SNODO SOSPENSIONE - INFERIORE BALL JOINT - LOWER	
0502663	508757	STABILIZZATORE STABILIZER LINK	
0603147	3812F4	SNODO ASSIALE AXIAL JOINT	RHT M14x1,5
0903147	406685	KIT CUFFIE STERZO STEERING GAITER KIT	
1211584	406685 *	CUFFIA STERZO STEERING GAITER	
1215333	352392	SILENTBLOCK ESTREMO OUTER BUSHING	
1215559	352391	SILENTBLOCK CENTRALE CENTRAL BUSHING	

BX

DESTRO
RIGHT



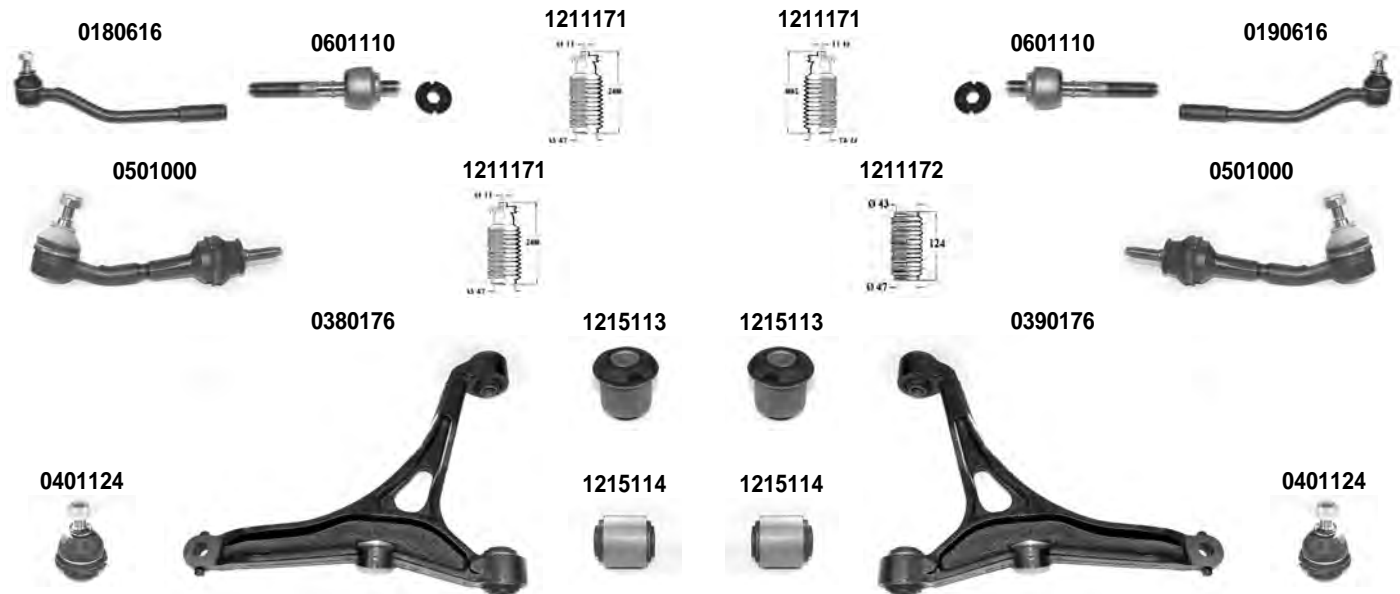
SINISTRO
LEFT

BX	1982 >
----	--------

Asse Anteriore



Front Axle



Asse Posteriore



Rear Axle



i 1) SOLO PER - ONLY FOR: MOD.1.6 - 1.9

OCAP	O.E.		i	
0180616	95496045	TESTA STERZO TIE ROD END		RHT M14x1,5
0190616	95496044	TESTA STERZO TIE ROD END		RHT M14x1,5
0380176	95602970	BRACCIO OSCILLANTE TRACK CONTROL ARM		
0390176	95602969	BRACCIO OSCILLANTE TRACK CONTROL ARM		
0401124	96041652	SNODO SOSPENSIONE - INFERIORE BALL JOINT - LOWER		
0501000	95597955	STABILIZZATORE STABILIZER LINK		
0601110	95495440	SNODO ASSIALE AXIAL JOINT		RHT M14x1,5
0902332	95619159	KIT RIPARAZIONE BRACCIO OSCILLANTE REPAIRING KIT CONTROL ARM		
1211171	95604346	CUFFIA STERZO STEERING GAITER		
1211172	95496072	CUFFIA STERZO STEERING GAITER	1)	
1215113	95563797	SILENTBLOCK ESTREMO OUTER BUSHING		
1215114	95563798	SILENTBLOCK CENTRALE CENTRAL BUSHING		

DESTRO
RIGHT



SINISTRO
LEFT

C 1

C 1	PM-PN	06/2005 > 2014
-----	-------	----------------

Asse Anteriore



Front Axle



OCAP	O.E.			
0282130	381764	TESTA STERZO TIE ROD END		RHT M12x1,25
0292130	381763	TESTA STERZO TIE ROD END		RHT M12x1,25
0402354	3521L3 *	SNODO SOSPENSIONE BALL JOINT		
0602130	4001.33 *	SNODO ASSIALE AXIAL JOINT		RHT M12x1,25
0782354	3521L3	BRACCIO OSCILLANTE TRACK CONTROL ARM		
0792354	3520Q2	BRACCIO OSCILLANTE TRACK CONTROL ARM		
0902131	509110	KIT PUNTONE STABILIZER LINK KIT		
1214179	5094A8	SILENTBLOCK BARRA STABILIZZATRICE STABILIZING BAR BUSHING		DIAM. 22 mm.
1215762	-	SILENTBLOCK ESTREMO OUTER BUSHING		
1215763	-	SILENTBLOCK CENTRALE CENTRAL BUSHING		

C1

DESTRO
RIGHT



SINISTRO
LEFT

C 1		04/2014 >
-----	--	-----------

Asse Anteriore



Front Axle



OCAP	O.E.			
0282130	381764	TESTA STERZO TIE ROD END		RHT M12x1,25
0292130	381763	TESTA STERZO TIE ROD END		RHT M12x1,25
0402354	3521L3 *	SNODO SOSPENSIONE BALL JOINT		
0602130	4001.33 *	SNODO ASSIALE AXIAL JOINT		RHT M12x1,25
0782131	B000770180	BRACCIO OSCILLANTE TRACK CONTROL ARM		
0792131	B000770280	BRACCIO OSCILLANTE TRACK CONTROL ARM		
0902131	509110	KIT PUNZONE STABILIZER LINK KIT		
1215762	48655-0H010	SILENTBLOCK ESTREMO OUTER BUSHING		
1215763	48654-0H010	SILENTBLOCK CENTRALE CENTRAL BUSHING		

DESTRO
RIGHT

 SINISTRO
LEFT

C 2 - C 3

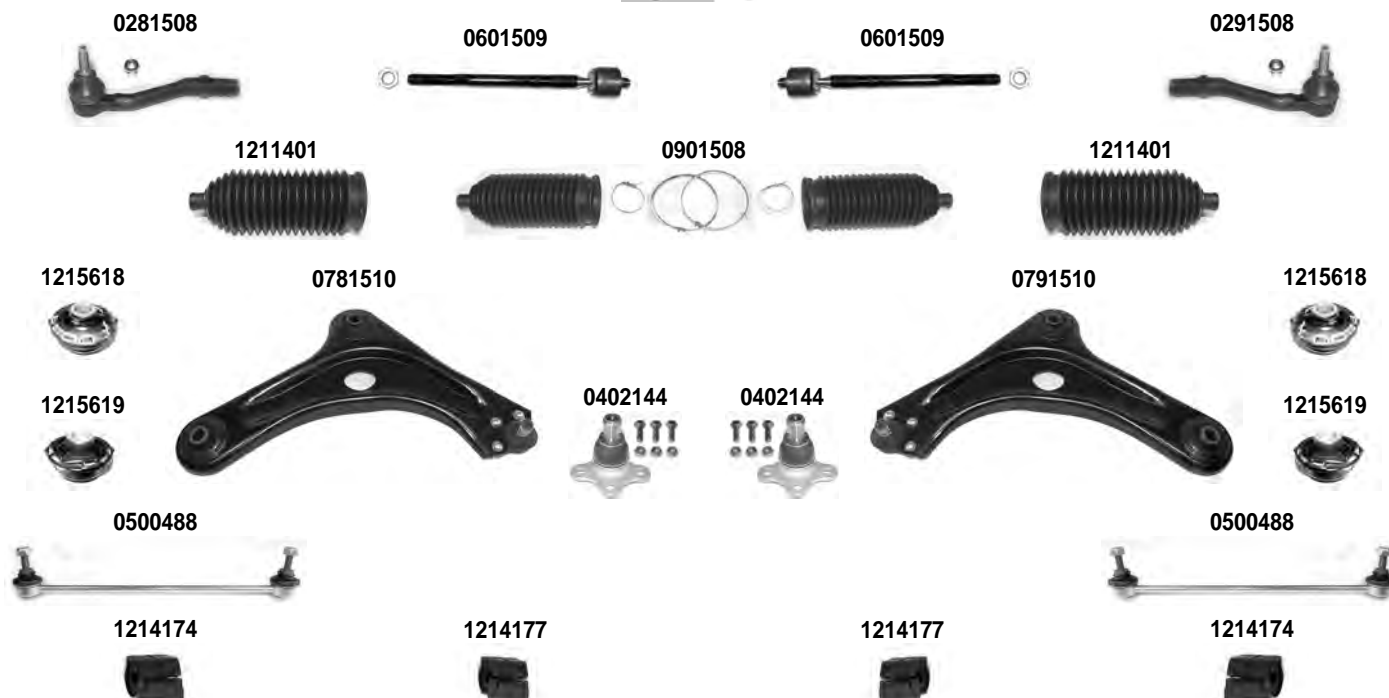
 JM
FC-FN

 2003 >
2002 >

Asse Anteriore



Front Axle



OCAP	O.E.		
0281508	381756	TESTA STERZO TIE ROD END	RHT M14x1,5
0291508	381755	TESTA STERZO TIE ROD END	RHT M14x1,5
0402144	364056	SNODO SOSPENSIONE - INFERIORE - CON KIT VITI SUSPENSION JOINT - LOWER - WITH BOLT KIT	M10
0500488	508745	STABILIZZATORE STABILIZER LINK	
0601509	3812E1	SNODO ASSIALE AXIAL JOINT	RHT M14x1,5
0781510	3521N6	BRACCIO OSCILLANTE - INFERIORE TRACK CONTROL ARM - LOWER	
0791510	3520R5	BRACCIO OSCILLANTE - INFERIORE TRACK CONTROL ARM - LOWER	
0901508	406669	KIT CUFFIE STERZO STEERING GAITER KIT	
1211401	-	CUFFIA STERZO STEERING GAITER	
1214174	509497	SILENTBLOCK BARRA STABILIZZATRICE STABILIZING BAR BUSHING	DIAM. 18 mm.
1214177	509496	SILENTBLOCK BARRA STABILIZZATRICE STABILIZING BAR BUSHING	DIAM. 20 mm.
1215618	352398	SILENTBLOCK CENTRALE CENTRAL BUSHING	
1215619	3523AA	SILENTBLOCK ESTREMO OUTER BUSHING	

DESTRO
RIGHT



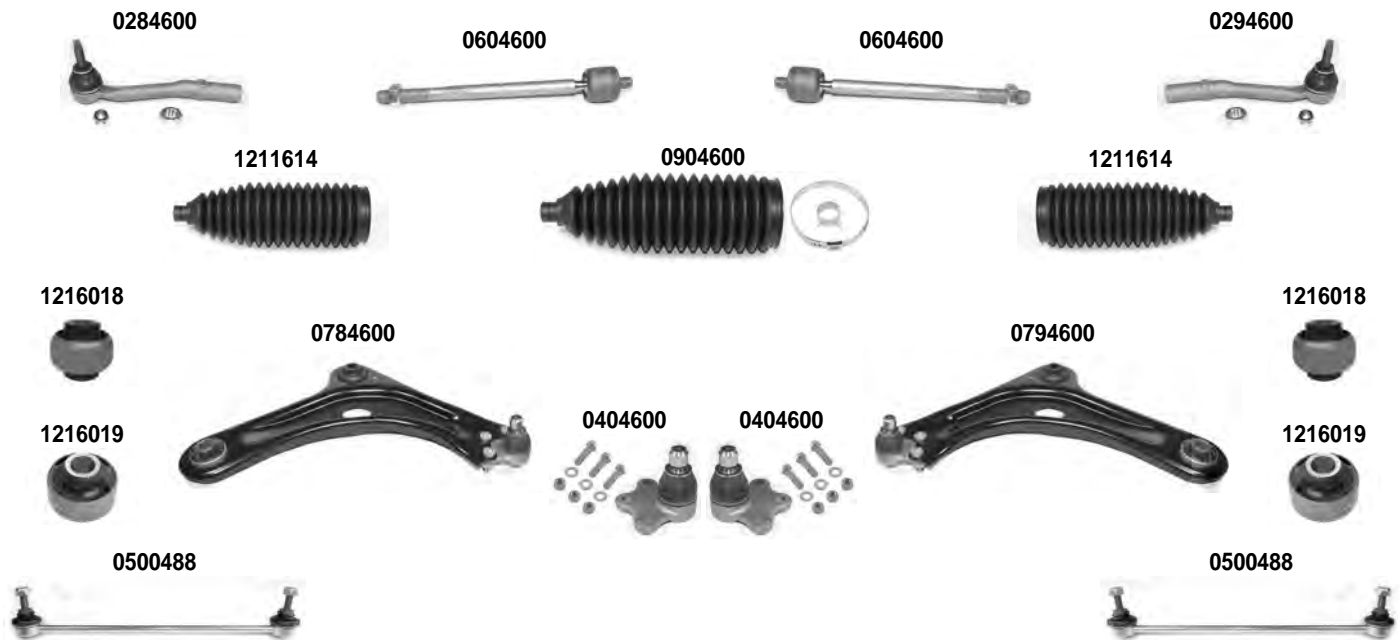
SINISTRO
LEFT

C 3 II DS3	SC	11/2009 > 2016 04/2010 > 2015
---------------	----	----------------------------------

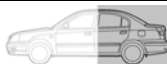
Asse Anteriore



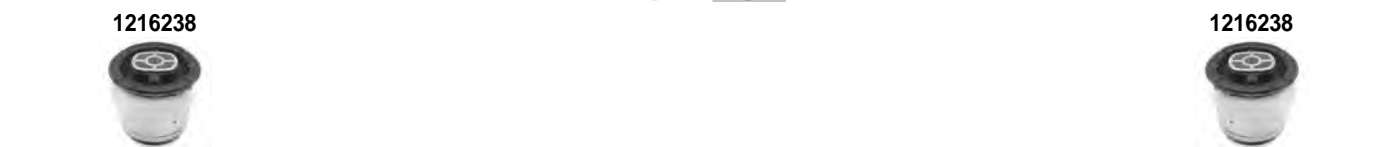
Front Axle



Asse Posteriore



Rear Axle



OCAP	O.E.			
0284600	381791	TESTA STERZO TIE ROD END		RHT M14x1,5
0294600	381792	TESTA STERZO TIE ROD END		RHT M14x1,5
0404600	364077	SNODO SOSPENSIONE - INFERIORE BALL JOINT - LOWER		
0500488	508745	STABILIZZATORE STABILIZER LINK		
0604600	3812F6	SNODO ASSIALE AXIAL JOINT		RHT M14x1,5
0784600	3521S9	BRACCIO OSCILLANTE - INFERIORE TRACK CONTROL ARM - LOWER		
0794600	3520W7	BRACCIO OSCILLANTE - INFERIORE TRACK CONTROL ARM - LOWER		
0904600	406697	KIT CUFFIA STERZO STEERING GAITER KIT		
1211614	406697 *	CUFFIA STERZO STEERING GAITER		
1216018	3521S9 *	SILENTBLOCK CENTRALE CENTRAL BUSHING		
1216019	3520W7 *	SILENTBLOCK ESTREMO OUTER BUSHING		
1216238	5131H4	SILENTBLOCK BUSHING		

DESTRO
RIGHT

 SINISTRO
LEFT

C 3 III

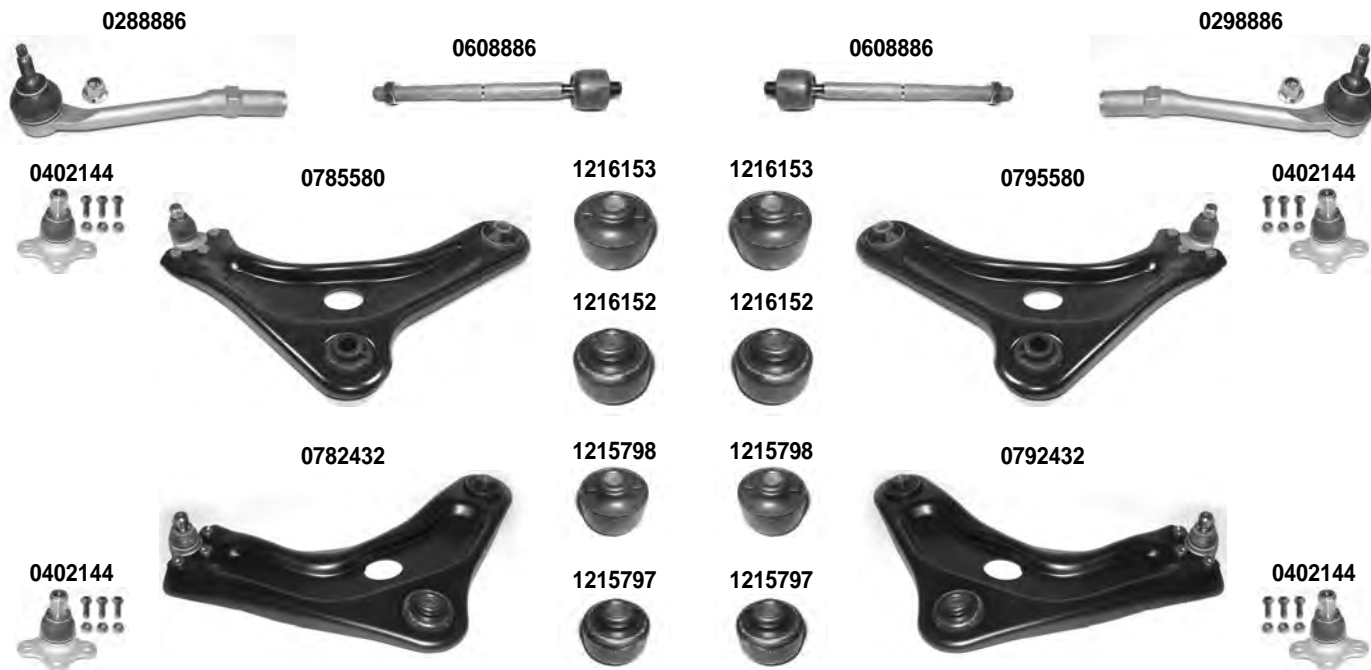
SX

07/2016 >

Asse Anteriore



Front Axle


i 1) SOSPENSIONI STANDARD - STANDARD SUSPENSION

OCAP	O.E.		i	
0288886	1623141180	TESTA STERZO TIE ROD END		RHT M14x1,5
0298886	1623141080	TESTA STERZO TIE ROD END		RHT M14x1,5
0402144	364056	SNODO SOSPENSIONE BALL JOINT	1)	
0608886	1623140880	SNODO ASSIALE AXIAL JOINT		RHT M14x1,5
0782432	3521N8	BRACCIO OSCILLANTE - INFERIORE TRACK CONTROL ARM - LOWER	2)	
0785580	9670771480	BRACCIO OSCILLANTE TRACK CONTROL ARM	1)	
0792432	3520R7	BRACCIO OSCILLANTE - INFERIORE TRACK CONTROL ARM - LOWER	2)	
0795580	9670772080	BRACCIO OSCILLANTE TRACK CONTROL ARM	1)	
1215797	3523EC	SILENTBLOCK CENTRALE CENTRAL BUSHING	2)	
1215798	3523CC	SILENTBLOCK ESTREMO OUTER BUSHING	2)	
1216152	9670771480 *	SILENTBLOCK CENTRALE CENTRAL BUSHING	1)	
1216153	9670772080 *	SILENTBLOCK ESTREMO OUTER BUSHING	1)	

DESTRO
RIGHT



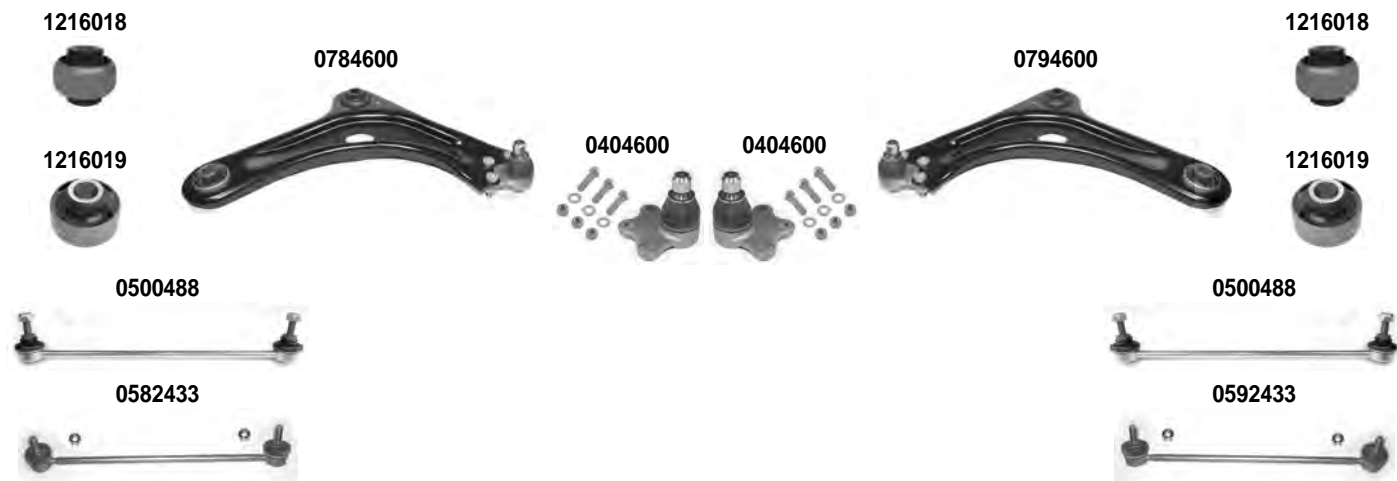
SINISTRO
LEFT

C 3 III	SX	07/2016 >
---------	----	-----------

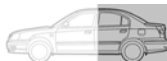
Asse Anteriore



Front Axle



Asse Posteriore



Rear Axle

1216238



1216238



i 2) SOSPENSIONI TIPO 3 - TYPE 3 SUSPENSION 4) SOSPENSIONI TIPO 1/2 - TYPE 1/2 SUSPENSION	3) SOSPENSIONI RIALZATE-RINFORZATE - RAISED-REINFORCED SUSPENSION
---	---

OCAP	O.E.		i	
0404600	364077	SNODO SOSPENSIONE - INFERIORE BALL JOINT - LOWER	3)	
0500488	508745	STABILIZZATORE STABILIZER LINK	4)	
0582433	508768	STABILIZZATORE STABILIZER LINK	2)	
0592433	508769	STABILIZZATORE STABILIZER LINK	2)	
0784600	3521S9	BRACCIO OSCILLANTE - INFERIORE TRACK CONTROL ARM - LOWER	3)	
0794600	3520W7	BRACCIO OSCILLANTE - INFERIORE TRACK CONTROL ARM - LOWER	3)	
1216018	3521S9 *	SILENTBLOCK CENTRALE CENTRAL BUSHING	3)	
1216019	3520W7 *	SILENTBLOCK ESTREMO OUTER BUSHING	3)	
1216238	5131H4	SILENTBLOCK BUSHING		

DESTRO
RIGHT



SINISTRO
LEFT

C 3 PICASSO

02/2009 >

Asse Anteriore



Front Axle



Asse Posteriore



Rear Axle

1216238



1216238



OCAP	O.E.		
0282393	381768	TESTA STERZO TIE ROD END	RHT M16x1,5
0292393	381767	TESTA STERZO TIE ROD END	RHT M16x1,5
0402144	364056	SNODO SOSPENSIONE - INFERIORE BALL JOINT - LOWER	
0582433	508768	STABILIZZATORE STABILIZER LINK	
0592433	508769	STABILIZZATORE STABILIZER LINK	
0602394	3812E8	SNODO ASSIALE AXIAL JOINT	RHT M16x1,5
0782432	3521N8	BRACCIO OSCILLANTE - INFERIORE TRACK CONTROL ARM - LOWER	
0792432	3520R7	BRACCIO OSCILLANTE - INFERIORE TRACK CONTROL ARM - LOWER	
0902394	406680	KIT CUFFIA STERZO STEERING GAITER KIT	
1211606	406680 *	CUFFIA STERZO STEERING GAITER	
1215797	3523EC	SILENTBLOCK CENTRALE CENTRAL BUSHING	
1215798	3523CC	SILENTBLOCK ESTREMO OUTER BUSHING	
1216238	5131H4	SILENTBLOCK BUSHING	

C 4

DESTRO
RIGHT

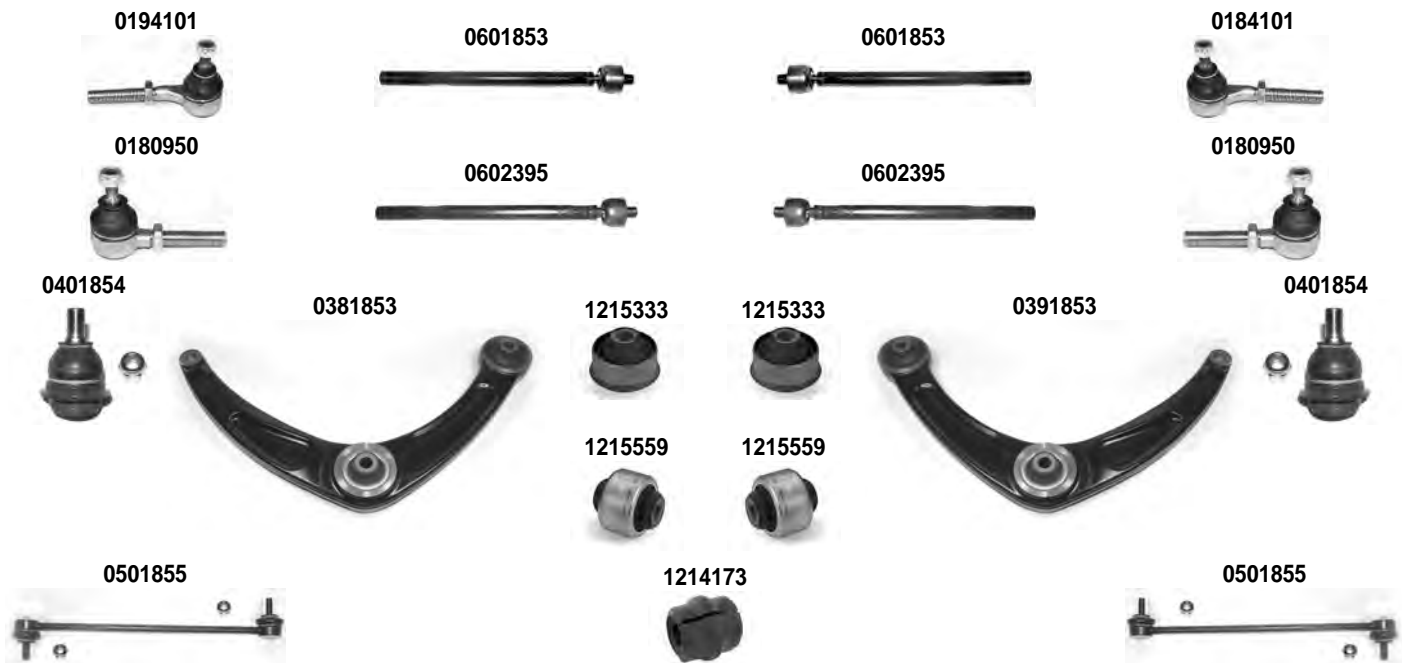


SINISTRO
LEFT

C 4	2005 >
-----	--------

Asse Anteriore

Front Axle



i 1) > CH. 10310	2) CH. 10311 >
-------------------------	----------------

OCAP	O.E.		i	
0180950	381750	TESTA STERZO TIE ROD END	2)	
0184101	381742	TESTA STERZO TIE ROD END	1)	RHT M14x1,5
0194101	381741	TESTA STERZO TIE ROD END	1)	RHT M14x1,5
0381853	3521P3	BRACCIO OSCILLANTE - INFERIORE TRACK CONTROL ARM - LOWER		
0391853	3520S2	BRACCIO OSCILLANTE - INFERIORE TRACK CONTROL ARM - LOWER		
0401854	364073	SNODO SOSPENSIONE - INFERIORE BALL JOINT - LOWER		
0501855	508750	STABILIZZATORE STABILIZER LINK		
0601853	3812E0	SNODO ASSIALE AXIAL JOINT	1)	RHT M14x1,5
0602395	3812E5	SNODO ASSIALE AXIAL JOINT	2)	
1214173	509488	SILENTBLOCK BARRA STABILIZZATRICE STABILIZING BAR BUSHING		DIAM. 22 mm.
1215333	352392	SILENTBLOCK ESTREMO OUTER BUSHING		
1215559	352391	SILENTBLOCK CENTRALE CENTRAL BUSHING		

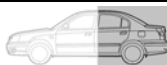
DESTRO
RIGHT



SINISTRO
LEFT

C 4		2005 >
-----	--	--------

Asse Posteriore




Rear Axle

1216393



1216393



OCAP	O.E.			
1216393	5131A4	SILENTBLOCK BUSHING		

C 4

DESTRO
RIGHT



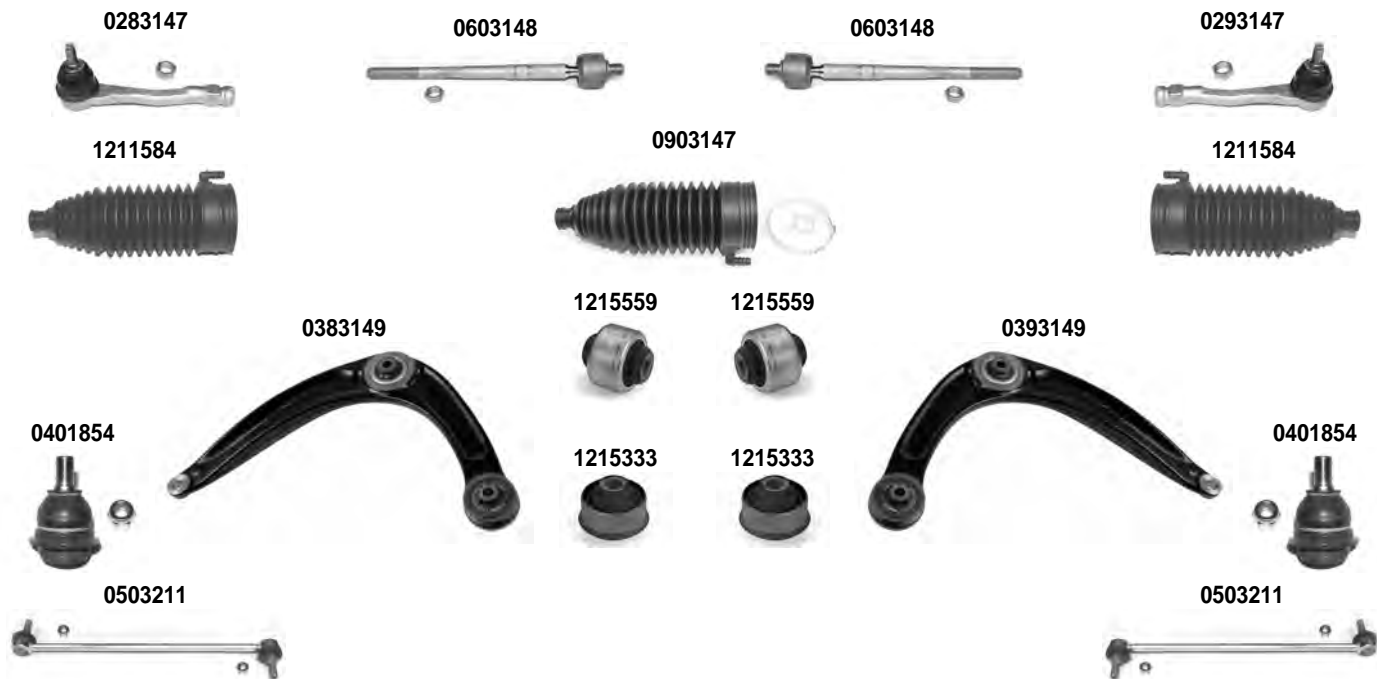
SINISTRO
LEFT

C 4 DS4	 	11/2009 > 04/2011 >
------------	------	------------------------

Asse Anteriore



Front Axle



Asse Posteriore



Rear Axle

1216394



1216394



OCAP	O.E.		i	
0283147	381775	TESTA STERZO TIE ROD END		RHT M14x1,5
0293147	381776	TESTA STERZO TIE ROD END		RHT M14x1,5
0383149	3521R3	BRACCIO OSCILLANTE - INFERIORE TRACK CONTROL ARM - LOWER		
0393149	3520V2	BRACCIO OSCILLANTE - INFERIORE TRACK CONTROL ARM - LOWER		
0401854	364073	SNODO SOSPENSIONE - INFERIORE BALL JOINT - LOWER		
0503211	508764	STABILIZZATORE STABILIZER LINK		
0603148	3812F2	SNODO ASSIALE AXIAL JOINT		RHT M14x1,5
0903147	406685	KIT CUFFIA STERZO STEERING GAITER KIT		
1211584	406685 *	CUFFIA STERZO STEERING GAITER		
1215333	352392	SILENTBLOCK - ESTREMO OUTER BUSHING		
1215559	352391	SILENTBLOCK - CENTRALE CENTRAL BUSHING		
1216394	5131G4	SILENTBLOCK BUSHING		

DESTRO
RIGHT



SINISTRO
LEFT

C 4 AIRCROSS

08/2010 >

Asse Anteriore



Front Axle



i 1) > 05/2014	2) 05/2014 >
-----------------------	--------------

OCAP	O.E.			
0288077	381774	TESTA STERZO TIE ROD END		RHT M14x1,5
0408077	3521V0 *	SNODO SOSPENSIONE - INFERIORE BALL JOINT - LOWER		
0604134	4422A076	SNODO ASSIALE AXIAL JOINT		RHT M14x1,5 L=339
0788077	3521V0	BRACCIO OSCILLANTE - INFERIORE TRACK CONTROL ARM - LOWER	1)	
0788669	1612753580	BRACCIO OSCILLANTE - INFERIORE TRACK CONTROL ARM - LOWER	2)	
0798077	3520V0	BRACCIO OSCILLANTE - INFERIORE TRACK CONTROL ARM - LOWER	1)	
0798669	1612753380	BRACCIO OSCILLANTE - INFERIORE TRACK CONTROL ARM - LOWER	2)	
0908669	1607502280 *	KIT CUFFIA STERZO STEERING GAITER KIT		
1216071	-	SILENTBLOCK - CENTRALE CENTRAL BUSHING		
1216072	3523CS	SILENTBLOCK - ESTREMO OUTER BUSHING		

DESTRO
RIGHT



SINISTRO
LEFT

C 4 AIRCROSS

08/2010 >

Asse Anteriore



Front Axle

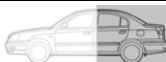
0508077



0508077



Asse Posteriore



Rear Axle

0708839



0708670



0708670



0708839



0588077



0598077



i 3) > 10/2012 4) 10/2012 >

OCAP	O.E.		i	
0508077	508758	STABILIZZATORE STABILIZER LINK		
0588077	517849	STABILIZZATORE STABILIZER LINK		
0598077	517848	STABILIZZATORE STABILIZER LINK		
0708670	1612754780	BRACCIO OSCILLANTE TRACK CONTROL ARM	4)	L=245
0708839	4117A007	BRACCIO OSCILLANTE TRACK CONTROL ARM	3)	L=165

DESTRO
RIGHT



SINISTRO
LEFT

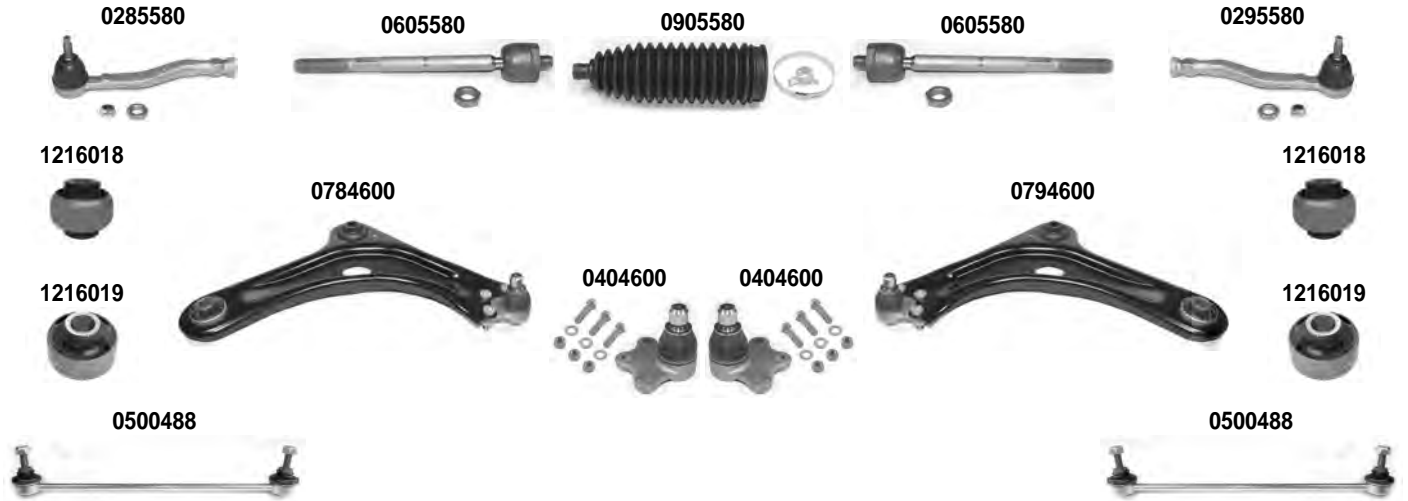
C4 CACTUS



09/2014 >

Asse Anteriore



Front Axle



OCAP	O.E.		
0285580	1608025280	TESTA STERZO TIE ROD END	RHT M14x1,5
0295580	1608025180	TESTA STERZO TIE ROD END	RHT M14x1,5
0404600	364077	SNODO SOSPENSIONE - INFERIORE BALL JOINT - LOWER	
0500488	508745	STABILIZZATORE STABILIZER LINK	
0605580	1608025380	SNODO ASSIALE AXIAL JOINT	RHT M14 x1,5
0784600	3521S9	BRACCIO OSCILLANTE - INFERIORE TRACK CONTROL ARM - LOWER	
0794600	3520W7	BRACCIO OSCILLANTE - INFERIORE TRACK CONTROL ARM - LOWER	
0905580	1608025480	KIT CUFFIA STERZO STEERING GAITER KIT	
1216018	3521S9 *	SILENTBLOCK CENTRALE CENTRAL BUSHING	
1216019	3520W7 *	SILENTBLOCK ESTREMO OUTER BUSHING	

DESTRO
RIGHT



SINISTRO
LEFT

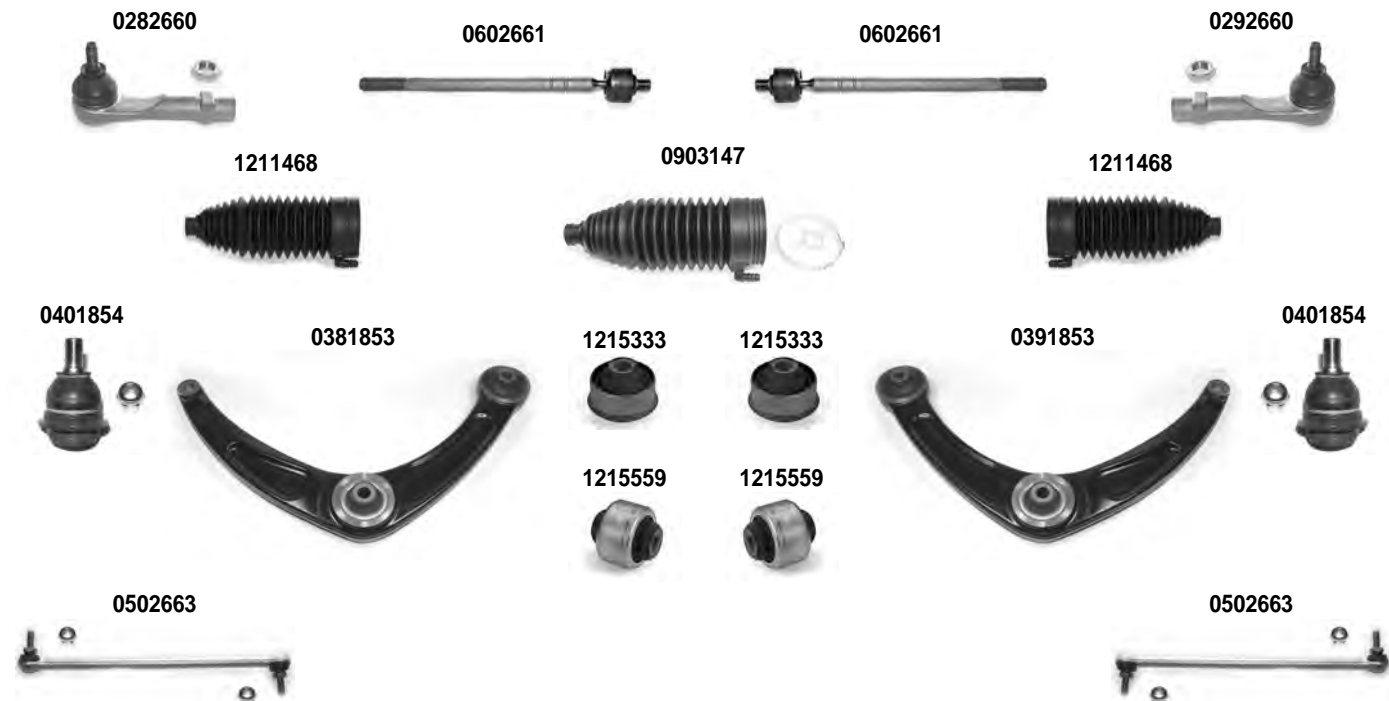
C 4 PICASSO
C4 GRAND PICASSO

02/2007 > 2013
10/2006 > 2013

Asse Anteriore



Front Axle



OCAP	O.E.		
0282660	381772	TESTA STERZO TIE ROD END	RHT M16x1,5
0292660	381771	TESTA STERZO TIE ROD END	RHT M16x1,5
0381853	3521P3	BRACCIO OSCILLANTE - INFERIORE TRACK CONTROL ARM - LOWER	
0391853	3520S2	BRACCIO OSCILLANTE - INFERIORE TRACK CONTROL ARM - LOWER	
0401854	364073	SNODO SOSPENSIONE - INFERIORE BALL JOINT - LOWER	
0502663	508757	STABILIZZATORE - ALLUMINIO STABILIZER LINK - ALUMINIUM	
0602661	3812E9	SNODO ASSIALE AXIAL JOINT	RHT M16x1,5
0903147	406685	KIT CUFFIA STERZO STEERING GAITER KIT	
1211468	-	CUFFIA STERZO STEERING GAITER	
1215333	352392	SILENTBLOCK - ESTREMO OUTER BUSHING	
1215559	352391	SILENTBLOCK - CENTRALE CENTRAL BUSHING	

DESTRO
RIGHT



SINISTRO
LEFT

C 4 PICASSO
C4 GRAND PICASSO

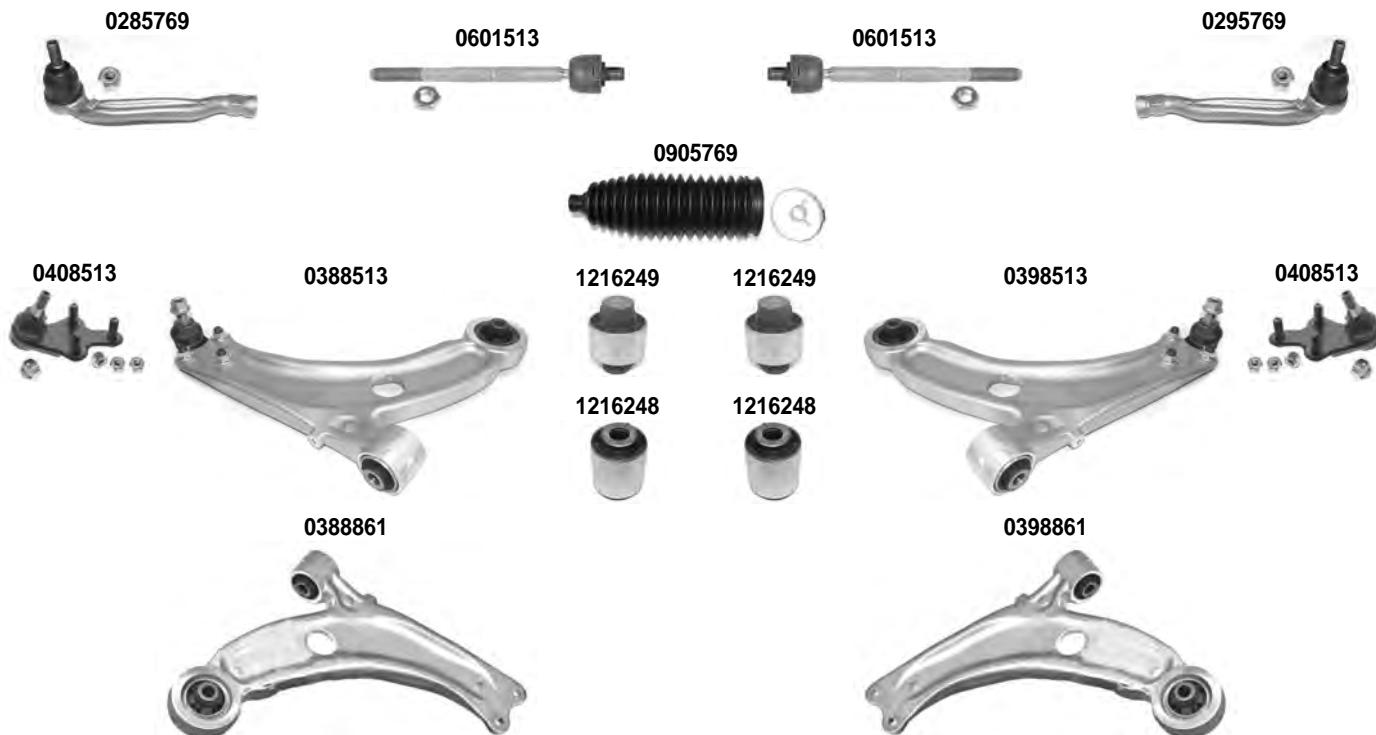
||
||

02/2013 >
09/2013 >

Asse Anteriore



Front Axle



i 1) BRACCIO OSCILLANTE COMPLETO - COMPLETE CONTROL ARM 2) BRACCIO OSCILLANTE SENZA SNODO - TRACK CONTROL ARM WITHOUT BALL JOINT

OCAP	O.E.		
0285769	1610817880	TESTA STERZO TIE ROD END	RHT M14x1,5
0295769	1610817780	TESTA STERZO TIE ROD END	RHT M14x1,5
0388513	9800596580 *	BRACCIO OSCILLANTE - INFERIORE - ALLUMINIO TRACK CONTROL ARM - LOWER - ALUMIUM	1)
0388861	9800596580	BRACCIO OSCILLANTE - INFERIORE - ALLUMINIO TRACK CONTROL ARM - LOWER - ALUMIUM	2)
0398513	9800596680 *	BRACCIO OSCILLANTE - INFERIORE - ALLUMINIO TRACK CONTROL ARM - LOWER - ALUMIUM	1)
0398861	9800596680	BRACCIO OSCILLANTE - INFERIORE - ALLUMINIO TRACK CONTROL ARM - LOWER - ALUMIUM	2)
0408513	9803434080	SNODO SOSPENSIONE - INFERIORE BALL JOINT - LOWER	
0601513	1610817680	SNODO ASSIALE AXIAL JOINT	RHT M14x1,5
0905769	1610817580	KIT CUFFIE STERZO STEERING GAITER KIT	
1216248	9676032180	SILENTBLOCK CENTRALE CENTRAL BUSHING	
1216249	9676035280	SILENTBLOCK ESTREMO OUTER BUSHING	

DESTRO
RIGHT



SINISTRO
LEFT

C 4 PICASSO
C4 GRAND PICASSO

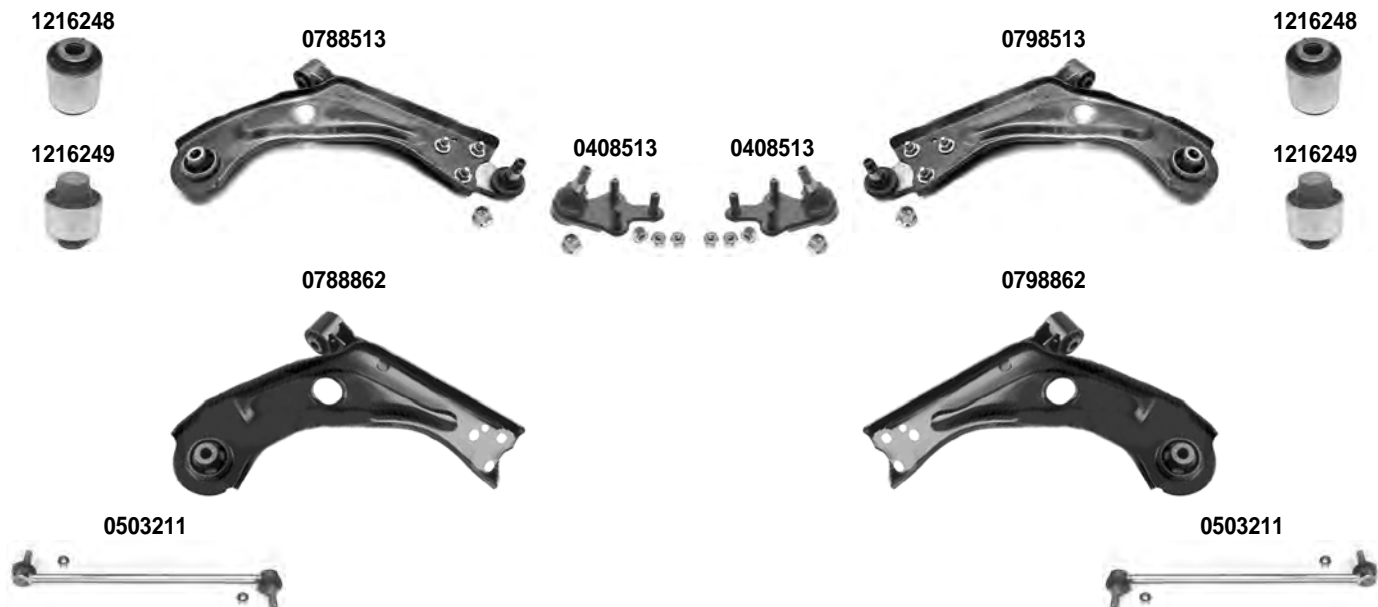
||
||

02/2013 >
09/2013 >

Asse Anteriore



Front Axle



Asse Posteriore



Rear Axle



i 1) BRACCIO OSCILLANTE COMPLETO - COMPLETE CONTROL ARM 2) BRACCIO OSCILLANTE SENZA SNODO - TRACK CONTROL ARM WITHOUT BALL JOINT

OCAP	O.E.		i	
0408513	9803434080	SNODO SOSPENSIONE - INFERIORE BALL JOINT - LOWER		
0503211	508764	STABILIZZATORE STABILIZER LINK		
0788513	9678311280 *	BRACCIO OSCILLANTE - INFERIORE - LAMIERA TRACK CONTROL ARM - LOWER - STEEL PLATE	1)	
0788862	9678311280	BRACCIO OSCILLANTE - INFERIORE - LAMIERA TRACK CONTROL ARM - LOWER - STEEL PLATE	2)	
0798513	9678311380 *	BRACCIO OSCILLANTE - INFERIORE - LAMIERA TRACK CONTROL ARM - LOWER - STEEL PLATE	1)	
0798862	9678311380	BRACCIO OSCILLANTE - INFERIORE - LAMIERA TRACK CONTROL ARM - LOWER - STEEL PLATE	2)	
1216248	9676032180	SILENTBLOCK CENTRALE CENTRAL BUSHING		
1216249	9676035280	SILENTBLOCK ESTREMO OUTER BUSHING		
1216250	9803481180	SILENTBLOCK BUSHING		

DESTRO
RIGHT

 SINISTRO
LEFT

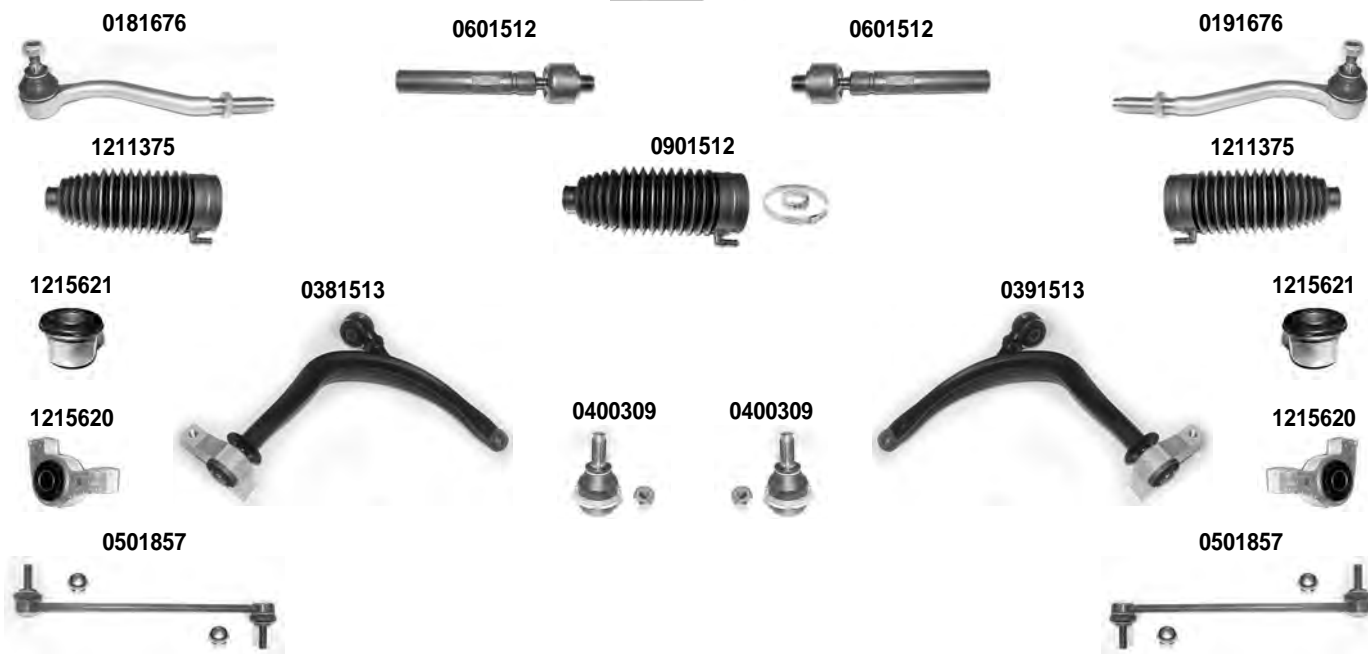
C 5

2001 >

Asse Anteriore



Front Axle



Asse Posteriore



Rear Axle



OCAP	O.E.		
0181676	381754	TESTA STERZO TIE ROD END	RHT M16x1,5
0191676	381753	TESTA STERZO TIE ROD END	RHT M16x1,5
0381513	3521G3	BRACCIO OSCILLANTE - INFERIORE TRACK CONTROL ARM - LOWER	
0391513	3520K3	BRACCIO OSCILLANTE - INFERIORE TRACK CONTROL ARM - LOWER	
0400309	364034	SNODO SOSPENSIONE - INFERIORE BALL JOINT - LOWER	
0501857	508748	STABILIZZATORE STABILIZER LINK	
0601512	3812C8	SNODO ASSIALE AXIAL JOINT	RHT M16x1,5
0901512	406664 *	KIT CUFFIA STERZO STEERING GAITER KIT	
0905343	513267 *	KIT RIPARAZIONE BRACCIO REPAIRING KIT CONTROL ARM	
1211375	406664	CUFFIA STERZO STEERING GAITER	
1215620	352395	SILENTBLOCK - ESTREMO OUTER BUSHING	
1215621	352384	SILENTBLOCK - CENTRALE CENTRAL BUSHING	

DESTRO
RIGHT

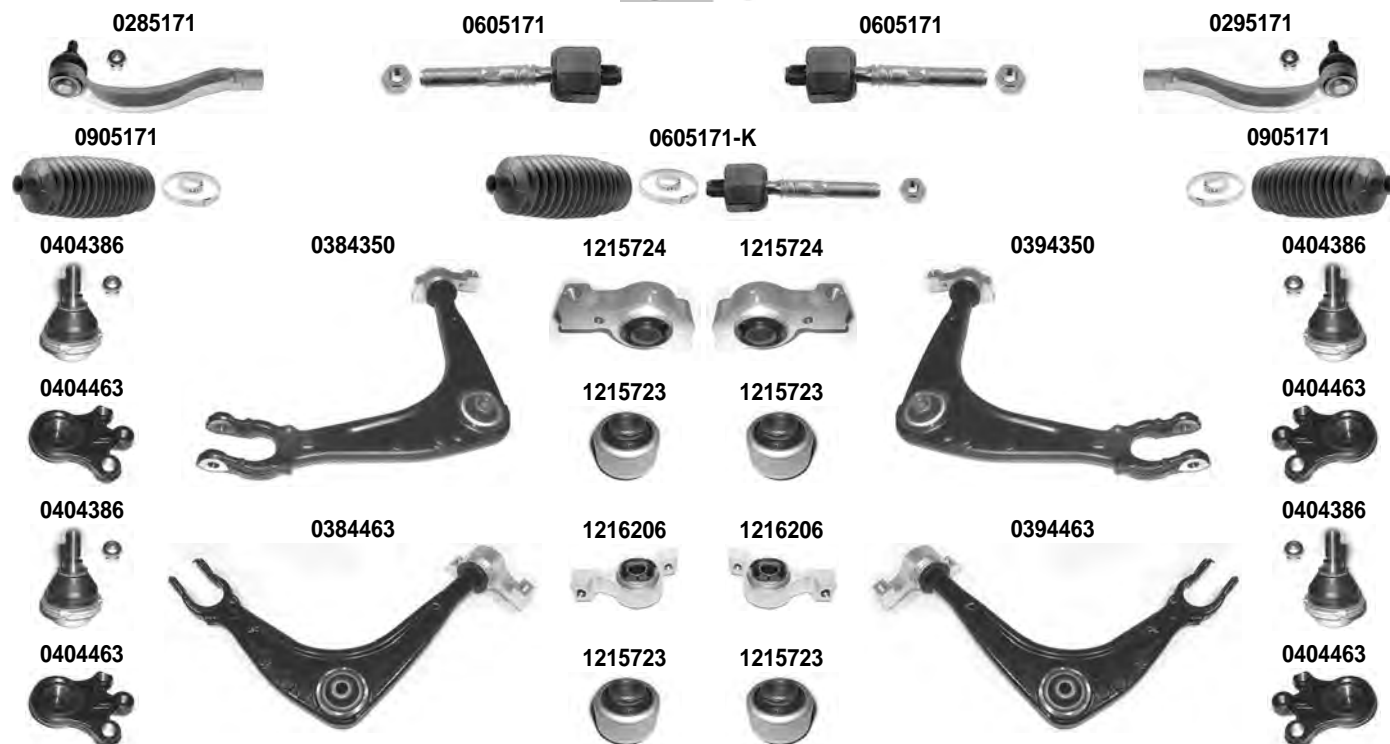


SINISTRO
LEFT

C 5 C 5 BREAK	RD TD	02/2008 > 02/2008 >
------------------	----------	------------------------

Asse Anteriore

Front Axle



i 1) > CH. 11983	2) CH. 11984 >
-------------------------	----------------

OCAP	O.E.		i	
0285171	381781	TESTA STERZO TIE ROD END		RHT M14x1,5
0295171	381780	TESTA STERZO TIE ROD END		RHT M14x1,5
0384350	3521J6	BRACCIO OSCILLANTE - INFERIORE TRACK CONTROL ARM - LOWER	1)	
0384463	3521T7	BRACCIO OSCILLANTE - INFERIORE TRACK CONTROL ARM - LOWER	2)	
0394350	3520N6	BRACCIO OSCILLANTE - INFERIORE TRACK CONTROL ARM - LOWER	1)	
0394463	3520X6	BRACCIO OSCILLANTE - INFERIORE TRACK CONTROL ARM - LOWER	2)	
0404386	364074	SNODO SOSPENSIONE - SUPERIORE BALL JOINTS - UPPER		
0404463	364072	SNODO SOSPENSIONE - INFERIORE BALL JOINTS - LOWER		
0605171	3812F3 *	SNODO ASSIALE AXIAL JOINT		RHT M14x1,5
0905171	406688	KIT CUFFIA STERZO STEERING GAITER KIT		
1215723	3523AQ	SILENTBLOCK - CENTRALE CENTRAL BUSHING		
1215724	3521J6 *	SILENTBLOCK - ESTREMO OUTER BUSHING	1)	
1216206	3521T7 *	SILENTBLOCK - ESTREMO OUTER BUSHING	2)	
0605171-K	3812F3	KIT SNODO ASSIALE AXIAL JOINT KIT		RHT M14x1,5

DESTRO
RIGHT



SINISTRO
LEFT

C5

C 5
C 5 BREAK

RD
TD

02/2008 >
02/2008 >

Asse Anteriore



Front Axle



Asse Posteriore



Rear Axle



OCAP	O.E.		
0385171	9801145780	BRACCIO OSCILLANTE - ALLUMINIO TRACK CONTROL ARM - ALUMINIUM	
0395171	5175CC	BRACCIO OSCILLANTE - ALLUMINIO TRACK CONTROL ARM - ALUMINIUM	
0584389	508753	STABILIZZATORE STABILIZER LINK	
0594389	508752	STABILIZZATORE STABILIZER LINK	
0704382	517847	BRACCIO OSCILLANTE SUSPENSION ARM	
0705171	5175CF	BRACCIO OSCILLANTE SUSPENSION ARM	
0902286	364074 *	KIT SNODI SOSPENSIONE - SUPERIORE + INFERIORE BALL JOINTS KIT - UPPER + LOWER	
1214175	5094A1	SILENTBLOCK BARRA STABILIZZATRICE STABILIZING BAR BUSHING	DIAM. 25 mm.
1214176	509499	SILENTBLOCK BARRA STABILIZZATRICE STABILIZING BAR BUSHING	DIAM. 24 mm.
1214180	5094A0	SILENTBLOCK BARRA STABILIZZATRICE STABILIZING BAR BUSHING	DIAM. 24,5 mm.
1216027	5131C3	SILENTBLOCK BUSHING	
1216028	5131C4	SILENTBLOCK BUSHING	

DESTRO
RIGHT



SINISTRO
LEFT

C 6	TD	09/2005 >
-----	----	-----------

Asse Anteriore

Front Axle



i 1) ESCLUSO MOD. CON SOSPENSIONI VARIABILI - EXCEPT ADJUSTABLE SUSPENSION MODELS 2) SOLO PER MOD. CON SOSPENSIONI VARIABILI - ONLY FOR ADJUSTABLE SUSPENSION MODELS

OCAP	O.E.		i	
0184382	381766	TESTA STERZO TIE ROD END		RHT M14x1,5 RHT M12X1,5
0194382	381765	TESTA STERZO TIE ROD END		RHT M14x1,5 RHT M12X1,5
0382593	3521P9	BRACCIO OSCILLANTE - INFERIORE TRACK CONTROL ARM - LOWER	2)	
0384350	3521J6	BRACCIO OSCILLANTE - INFERIORE TRACK CONTROL ARM - LOWER	1)	
0392593	3520S8	BRACCIO OSCILLANTE - INFERIORE TRACK CONTROL ARM - LOWER	2)	
0394350	3520N6	BRACCIO OSCILLANTE - INFERIORE TRACK CONTROL ARM - LOWER	1)	
0404386	364074	SNODO SOSPENSIONE - SUPERIORE BALL JOINT - UPPER		
0404463	364072	SNODO SOSPENSIONE - INFERIORE BALL JOINT - LOWER		
0604382	3812E7	SNODO ASSIALE AXIAL JOINT		RHT M14x1,5
0994383	406671	KIT CUFFIA STERZO KIT CUFFIA STERZO		
1215723	3523AQ	SILENTBLOCK CENTRALE CENTRAL BUSHING		
1215724	3521J6 *	SILENTBLOCK ESTREMO - ALLUMINIO OUTER BUSHING - ALUMINIUM		
1215811	3521P9 *	SILENTBLOCK ESTREMO - ALLUMINIO OUTER BUSHING - ALUMINIUM		

DESTRO
RIGHT



SINISTRO
LEFT

C
6

C 6	TD	09/2005 >
-----	----	-----------

Asse Anteriore



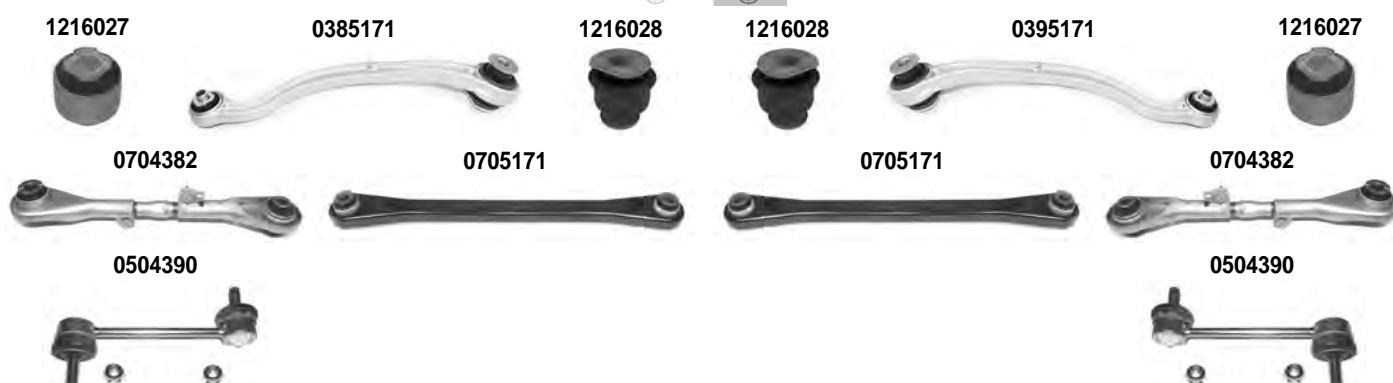
Front Axle



Asse Posteriore



Rear Axle



OCAP	O.E.		
0385171	9801145780	BRACCIO OSCILLANTE - ALLUMINIO TRACK CONTROL ARM - ALUMINIUM	
0395171	5175CC	BRACCIO OSCILLANTE - ALLUMINIO TRACK CONTROL ARM - ALUMINIUM	
0504390	517846	STABILIZZATORE STABILIZER LINK	
0584389	508753	STABILIZZATORE STABILIZER LINK	
0594389	508752	STABILIZZATORE STABILIZER LINK	
0704382	517847	BRACCIO OSCILLANTE SUSPENSION ARM	
0705171	5175CF	BRACCIO OSCILLANTE SUSPENSION ARM	
0902286	364074 *	KIT SNODI SOSPENSIONE - SUPERIORE + INFERIORE BALL JOINTS KIT - UPPER + LOWER	
1214176	509499	SILENTBLOCK BARRA STABILIZZATRICE STABILIZING BAR BUSHING	DIAM. 24 mm.
1216027	5131C3	SILENTBLOCK BUSHING	
1216028	5131C4	SILENTBLOCK BUSHING	

C8

DESTRO
RIGHT

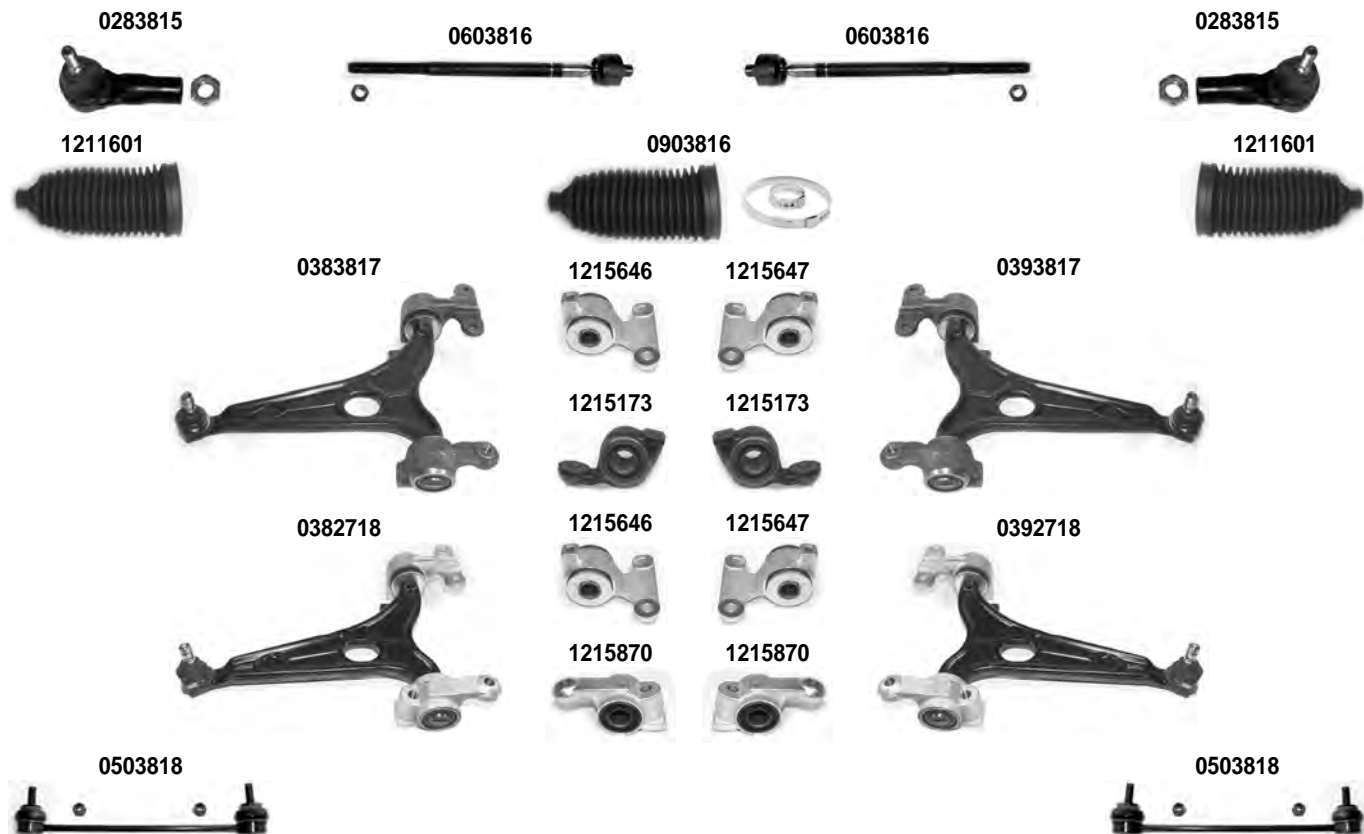


SINISTRO
LEFT

C 8	EA - EB	2002 >
-----	---------	--------

Asse Anteriore

Front Axle



i 1) > 06/2006 - FINO A - TO PR. > 10823	2) 07/2006 > - DA - FROM PR. 10824 >
---	--------------------------------------

OCAP	O.E.		i	
0283815	405912	TESTA STERZO TIE ROD END		RHT M14x1,5
0382718	1356061080	BRACCIO OSCILLANTE - ACCIAIO TRACK CONTROL ARM - STEEL	2)	
0383817	3521K6	BRACCIO OSCILLANTE - ACCIAIO TRACK CONTROL ARM - STEEL	1)	
0392718	1356060080	BRACCIO OSCILLANTE - ACCIAIO TRACK CONTROL ARM - STEEL	2)	
0393817	3520P6	BRACCIO OSCILLANTE - ACCIAIO TRACK CONTROL ARM - STEEL	1)	
0503818	508751	STABILIZZATORE STABILIZER LINK		
0603816	3812E2	SNODO ASSIALE AXIAL JOINT		RHT M14x1,5
0903816	406670	KIT CUFFIA STERZO STEERING GAITER KIT		
1211601	406670 *	CUFFIA STERZO STEERING GAITER		
1215173	3521H1	SILENTBLOCK CENTRALE CENTRAL BUSHING		
1215646	3521K6 *	SILENTBLOCK ESTREMO OUTER BUSHING		
1215647	3520P6 *	SILENTBLOCK ESTREMO OUTER BUSHING		
1215870	3521N9 *	SILENTBLOCK CENTRALE CENTRAL BUSHING		

DESTRO
RIGHT



SINISTRO
LEFT

C
15

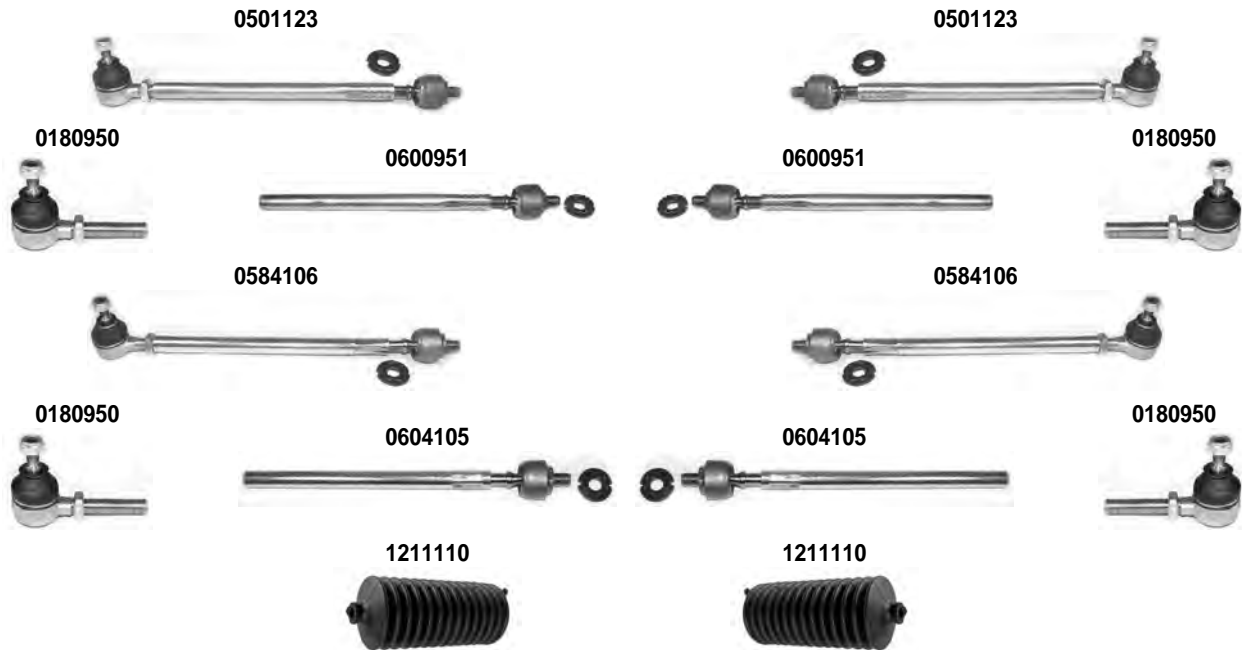
C 15

1984 >



Asse Anteriore



Front Axle



i 1) SOLO PER - ONLY FOR: MOD. DIESEL

OCAP	O.E.		i	
0180950	381718	TESTA STERZO TIE ROD END		RHT M14x1,5
0501123	381232 *	BARRA STERZO TIE ROD		
0584106	381237	BARRA STERZO - MOD. DIESEL TIE ROD		
0600951	381225	SNODO ASSIALE CON KIT AXIAL JOINT WITH KIT		RHT M14x1,5
0604105	381297	SNODO ASSIALE AXIAL JOINT	1)	RHT M14x1,5
1211110	406620	CUFFIA STERZO STEERING GAITER		

DESTRO
RIGHT



SINISTRO
LEFT

C 15	1984 >
------	--------

Asse Anteriore



Front Axle

0400604



0380605



0390605



0400604



1215010



1215009



1215009



1215010



0381605



0391605



1215012



1215009



1215009



1215012



1215389



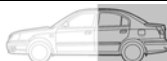
1215390



1215367



Asse Posteriore



Rear Axle

0902332



i 1) SOLO PER - ONLY FOR: MOD. DIESEL 3) SOLO PER MOTORE - ONLY FOR ENGINE: 1.400 cc.	2) SOLO PER MOTORE - ONLY FOR ENGINE: 1.100 cc.
---	---

OCAP	O.E.		i	
0380605	91504359	BRACCIO OSCILLANTE INFERIORE LOWER TRACK CONTROL ARM		
0381605	352134	BRACCIO OSCILLANTE INFERIORE LOWER TRACK CONTROL ARM	1)	
0390605	91504358	BRACCIO OSCILLANTE INFERIORE LOWER TRACK CONTROL ARM		
0391605	352051	BRACCIO OSCILLANTE INFERIORE LOWER TRACK CONTROL ARM	1)	
0400604	91504248	SNODO SOSPENSIONE - INFERIORE BALL JOINT - LOWER		
0902332	95619159	KIT RIPARAZIONE BRACCIO OSCILLANTE REPAIRING KIT CONTROL ARM		
1215009	352320	SILENTBLOCK ESTREMO OUTER BUSHING		
1215010	352314	SILENTBLOCK CENTRALE CENTRAL BUSHING		
1215012	352349	SILENTBLOCK CENTRALE CENTRAL BUSHING		
1215367	509440	BOCCOLA BARRA STABILIZZATRICE RUBBER RING FOR STABILIZING		DIAM. 23 mm.
1215389	7910014619	BOCCOLA BARRA STABILIZZATRICE RUBBER RING FOR STABILIZING	2)	DIAM. 20 mm.
1215390	91500679	BOCCOLA BARRA STABILIZZATRICE RUBBER RING FOR STABILIZING	3)	DIAM. 19 mm.

DESTRO
RIGHT

 SINISTRO
LEFT

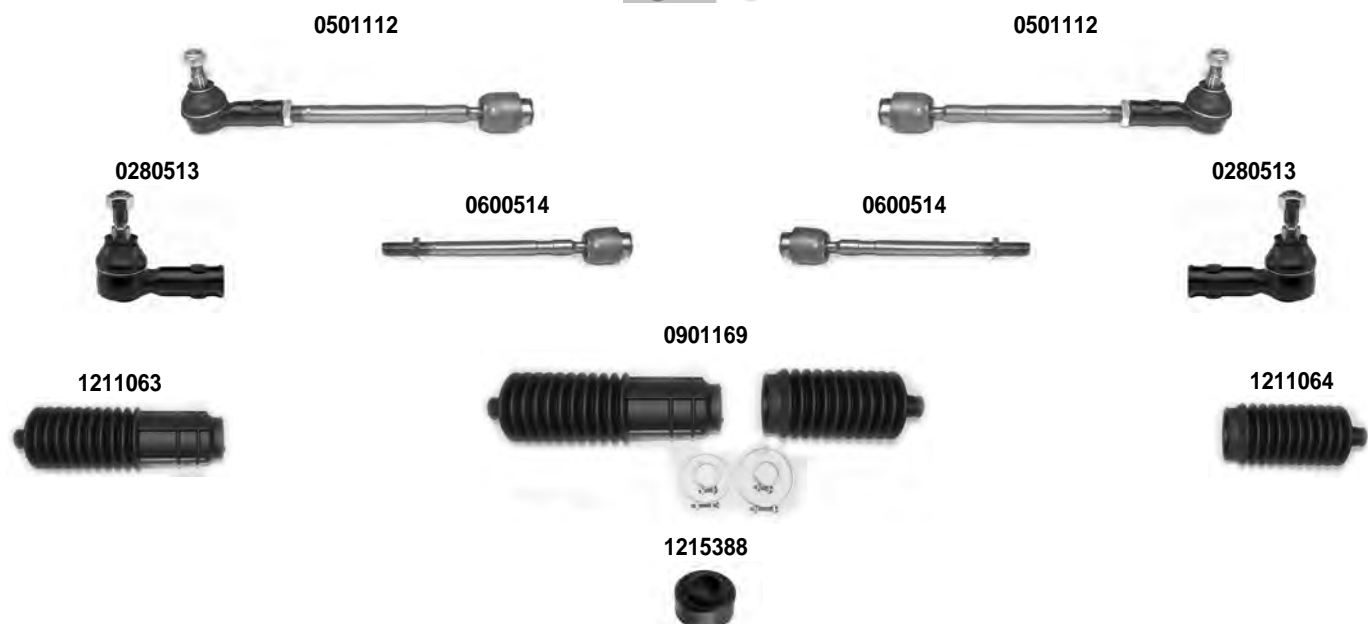
C 25



1981 > 03/1994

Asse Anteriore



Front Axle



OCAP	O.E.		
0280513	9750079800	TESTA STERZO TIE ROD END	RHT M16x1,5
0501112	9790002680 *	BARRA STERZO TIE ROD	
0600514	9750390080	SNODO ASSIALE AXIAL JOINT	RHT M16x1,5
0901169	9750000280 *	KIT CUFFIE STERZO STEERING GAITER KIT	
1211063	9750000380	CUFFIA STERZO STEERING GAITER	
1211064	9750000280	CUFFIA STERZO STEERING GAITER	
1215388	4339248	BOCCOLA BARRA STABILIZZATRICE STABILIZING BAR BUSHING	

DESTRO
RIGHT



SINISTRO
LEFT

C 25	1981 > 03/1994
------	----------------

Asse Anteriore



Front Axle

0400097



0380405



1214001



1214001



0390405



0400097



0901527



0901527



0400096



0380406



1214001



1214001



0390406



0400096



0901527



0901527



0400096



0380565



1214022



1214022



0390565



0400096



0901528



0901528



i 1) > 10/1985 3) SOLO PER - ONLY FOR: MOD.1.8 t	2) 10/1985 >
--	--------------

OCAP	O.E.		i	
0380405	4391813	BRACCIO OSCILLANTE TRACK CONTROL ARM	1)	
0380406	7695190	BRACCIO OSCILLANTE TRACK CONTROL ARM	2)	
0380565	7695185	BRACCIO OSCILLANTE TRACK CONTROL ARM	3)	
0390405	4391814	BRACCIO OSCILLANTE TRACK CONTROL ARM	1)	
0390406	7695191	BRACCIO OSCILLANTE TRACK CONTROL ARM	2)	
0390565	7695186	BRACCIO OSCILLANTE TRACK CONTROL ARM	3)	
0400096	7567284	SNODO SOSPENSIONE INFERIORE BALL JOINT LOWER	2)	
0400097	4388159	SNODO SOSPENSIONE INFERIORE BALL JOINT LOWER	1)	
0901527	4331968 *	KIT SILENTBLOCK BUSHING KIT		
0901528	7567284 *	KIT SILENTBLOCK BUSHING KIT	3)	
1214001	4331968	SILENTBLOCK ESTREMO OUTER BUSHING		
1214022	7695185 *	SILENTBLOCK ESTREMO OUTER BUSHING	3)	

DESTRO
RIGHT

SINISTRO
LEFT



C 35

1973 >

Asse Anteriore

Front Axle



0500510




0500511



0400512

0400512



OCAP	O.E.			
0400512	5412669	SNODO SOSPENSIONE - SUPERIORE E INFERIORE BALL JOINT - UPPER AND LOWER		
0500510	5413937	BARRA STERZO TIE ROD		
0500511	5413938	BARRA STERZO TIE ROD		

CX 2000/2200/2400 - (NORMAL TRACK)

DESTRO
RIGHT



SINISTRO
LEFT

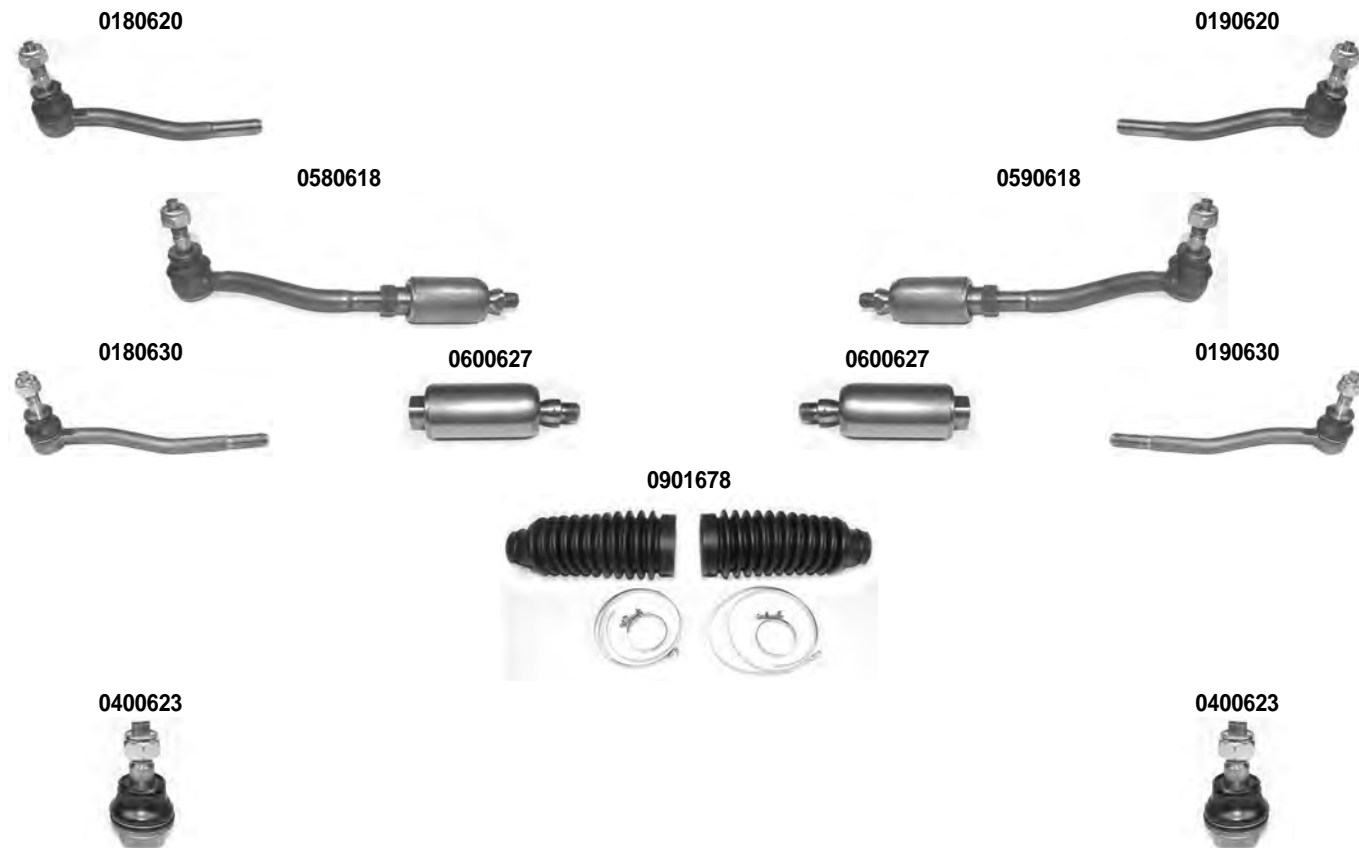
CX 2000/2200/2400 - (NORMAL TRACK)

1974 > 1980

Asse Anteriore



Front Axle



i 1) > 1978		2) 1979 > 1980		
OCAP	O.E.		i	
0180620	95585251 *	TESTA STERZO TIE ROD END	1)	RHT M16x1,5
0180630	2L5462708A *	TESTA STERZO TIE ROD END	2)	RHT M16x1,5
0190620	95585250 *	TESTA STERZO TIE ROD END	1)	RHT M16x1,5
0190630	2L5462707A *	TESTA STERZO TIE ROD END	2)	RHT M16x1,5
0400623	5429314	SNODO SOSPENSIONE - SUPERIORE BALL JOINT - UPPER		
0580618	2L5462708A	BARRA STERZO TIE ROD	2)	
0590618	2L5462707A	BARRA STERZO TIE ROD	2)	
0600627	2L5462707A **	SNODO ASSIALE AXIAL JOINT	2)	RHT M16x1,5
0901678	75517078 *	KIT CUFFIE STERZO STEERING GAITER KIT		

DESTRO
RIGHT



SINISTRO
LEFT

CX 2000/2200/2400 - (NORMAL TRACK)

1974 > 1980

Asse Anteriore



Front Axle

0402068



0580624



0400622



0580625



0400622



0590625



0402068



0590624



i 1) > 1978		2) 1979 > 1980		
OCAP	O.E.		i	
0400622	95558213	SNODO SOSPENSIONE - INFERIORE BALL JOINT - LOWER	2)	
0402068	3L5429430U	SNODO SOSPENSIONE - INFERIORE BALL JOINT - LOWER	1)	
0580624	3L5429404L	STABILIZZATORE STABILIZER LINK	1)	
0580625	75492570	STABILIZZATORE STABILIZER LINK	2)	
0590624	3L5429403A	STABILIZZATORE STABILIZER LINK	1)	
0590625	75492569	STABILIZZATORE STABILIZER LINK	2)	

CX 2000/2200/2400 - (NORMAL TRACK)

CX 2000/2200/2400 - (WIDE TRACK)

DESTRO
RIGHT



SINISTRO
LEFT

CX 2000/2200/2400 - (WIDE TRACK)

1980 >

Asse Anteriore



Front Axle

0180628



0190628



0901678



0400623



0400623



0400622



0400622-K



0400622-K



0400622



0580625



0590625



i 1) SERVOSTERZO - POWER STEERING

OCAP	O.E.		i	
0180628	95606880 *	TESTA STERZO TIE ROD END	1)	RHT M16x1,5
0190628	95606879 *	TESTA STERZO TIE ROD END	1)	RHT M16x1,5
0400622	95558213	SNODO SOSPENSIONE - INFERIORE BALL JOINT - LOWER		
0400623	5429314	SNODO SOSPENSIONE - SUPERIORE BALL JOINT - UPPER		
0580625	75492570	STABILIZZATORE STABILIZER LINK		
0590625	75492569	STABILIZZATORE STABILIZER LINK		
0901678	75517078 *	KIT CUFFIE STERZO STEERING GAITER KIT		
0400622-K	95558213 *	SNODO SOSPENSIONE CON KIT BALL JOINT KIT		

DESTRO
RIGHT



SINISTRO
LEFT

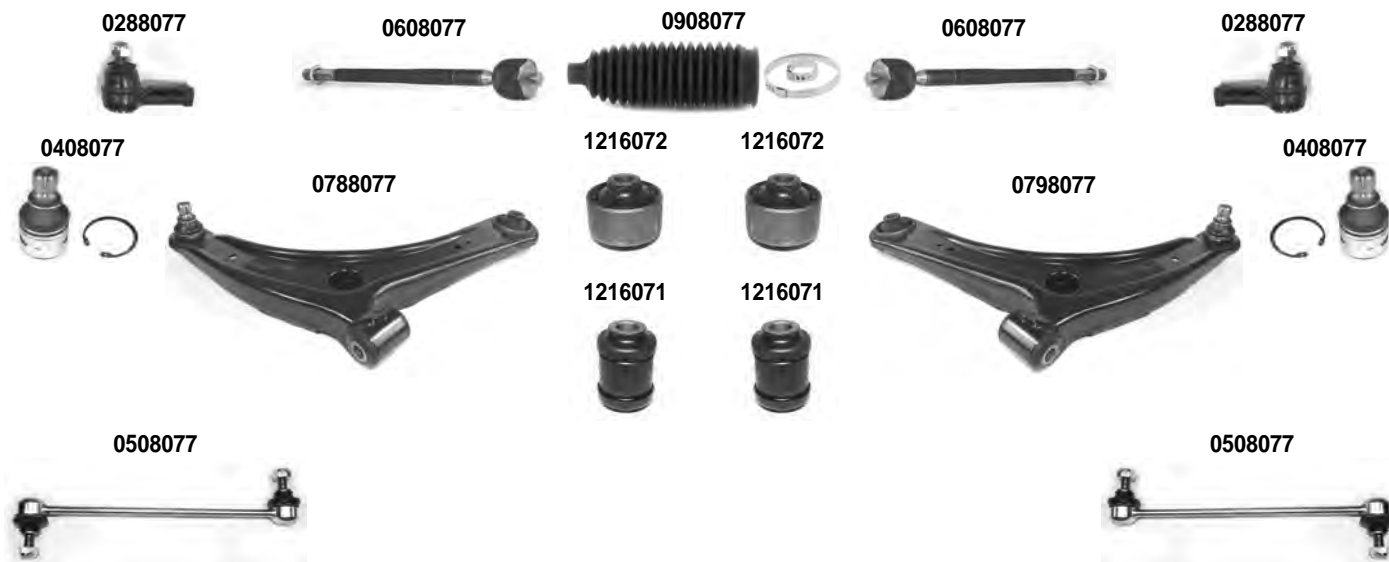
C-CROSSER

02/2007 >

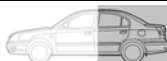
Asse Anteriore



Front Axle



Asse Posteriore



Rear Axle



OCAP	O.E.		
0288077	381774	TESTA STERZO TIE ROD END	RHT M14x1,5
0408077	3521V0 *	SNODO SOSPENSIONE - INFERIORE BALL JOINT - LOWER	
0508077	508758	STABILIZZATORE STABILIZER LINK	
0588077	517849	STABILIZZATORE STABILIZER LINK	
0598077	517848	STABILIZZATORE STABILIZER LINK	
0608077	3812F1	SNODO ASSIALE AXIAL JOINT	RHT M14x1,5
0708839	4117A007	BRACCIO OSCILLANTE TRACK CONTROL ARM	L=165
0788077	3521V0	BRACCIO OSCILLANTE - INFERIORE TRACK CONTROL ARM - LOWER	
0798077	3520V0	BRACCIO OSCILLANTE - INFERIORE TRACK CONTROL ARM - LOWER	
0908077	406684	KIT CUFFIA STERZO STEERING GAITER KIT	
1216071	-	SILENTBLOCK - CENTRALE CENTRAL BUSHING	
1216072	3523CS	SILENTBLOCK - ESTREMO OUTER BUSHING	

DESTRO
RIGHT



SINISTRO
LEFT

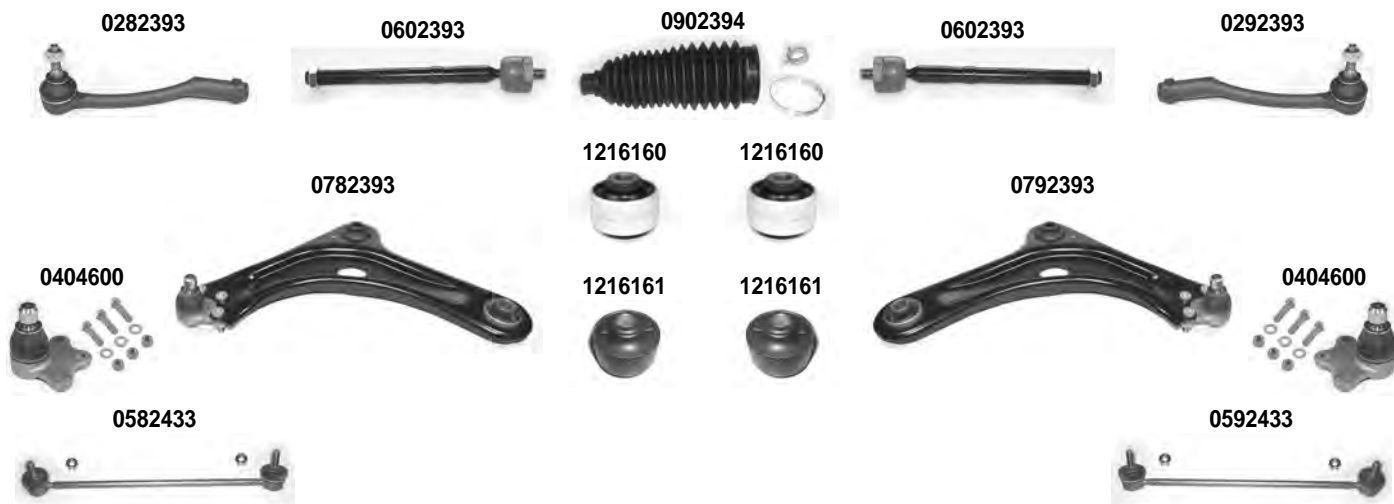
C-ELYSEE

11/2012 >

Asse Anteriore



Front Axle



Asse Posteriore



Rear Axle

1216238



1216238



OCAP	O.E.			
0282393	381768	TESTA STERZO TIE ROD END		RHT M16 x1,5
0292393	381767	TESTA STERZO TIE ROD END		RHT M16 x1,5
0404600	364077	SNODO SOSPENSIONE - INFERIORE BALL JOINT - LOWER		
0582433	508768	STABILIZZATORE STABILIZER LINK		
0592433	508769	STABILIZZATORE STABILIZER LINK		
0602393	1608652180	SNODO ASSIALE AXIAL JOINT		RHT M16 x1,5
0782393	9675028880	BRACCIO OSCILLANTE - INFERIORE TRACK CONTROL ARM - LOWER		
0792393	9675031880	BRACCIO OSCILLANTE - INFERIORE TRACK CONTROL ARM - LOWER		
0902394	406680	KIT CUFFIA STERZO STEERING GAITER KIT		
1216160	9677040580	SILENTBLOCK CENTRALE CENTRAL BUSHING		
1216161	9677041080	SILENTBLOCK ESTREMO OUTER BUSHING		
1216238	5131H4	SILENTBLOCK BUSHING		

DESTRO
RIGHT

 SINISTRO
LEFT

GS - GSA

1971 >

Asse Anteriore

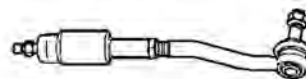


Front Axle

0580612



0590612



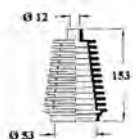
0180610



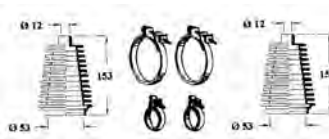
0190610



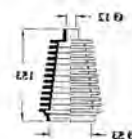
1211173



0901677



1211173



0400615



0400615


i 1) SOLO PER - ONLY FOR: MOD. 1.1 - 1.4

OCAP	O.E.		i	
0180610	5445860 *	TESTA STERZO TIE ROD END		RHT M14x1,5
0190610	5445861 *	TESTA STERZO TIE ROD END		RHT M14x1,5
0400615	75522015	SNODO SOSPENSIONE INFERIORE BALL JOINT LOWER		
0580612	5445860	BARRA STERZO TIE ROD		
0590612	5445861	BARRA STERZO TIE ROD		
0901677	GX2411301A *	KIT CUFFIE STERZO STEERING GAITER KIT		
1211173	GX2411301A	CUFFIA STERZO STEERING GAITER	1)	

DESTRO
RIGHT



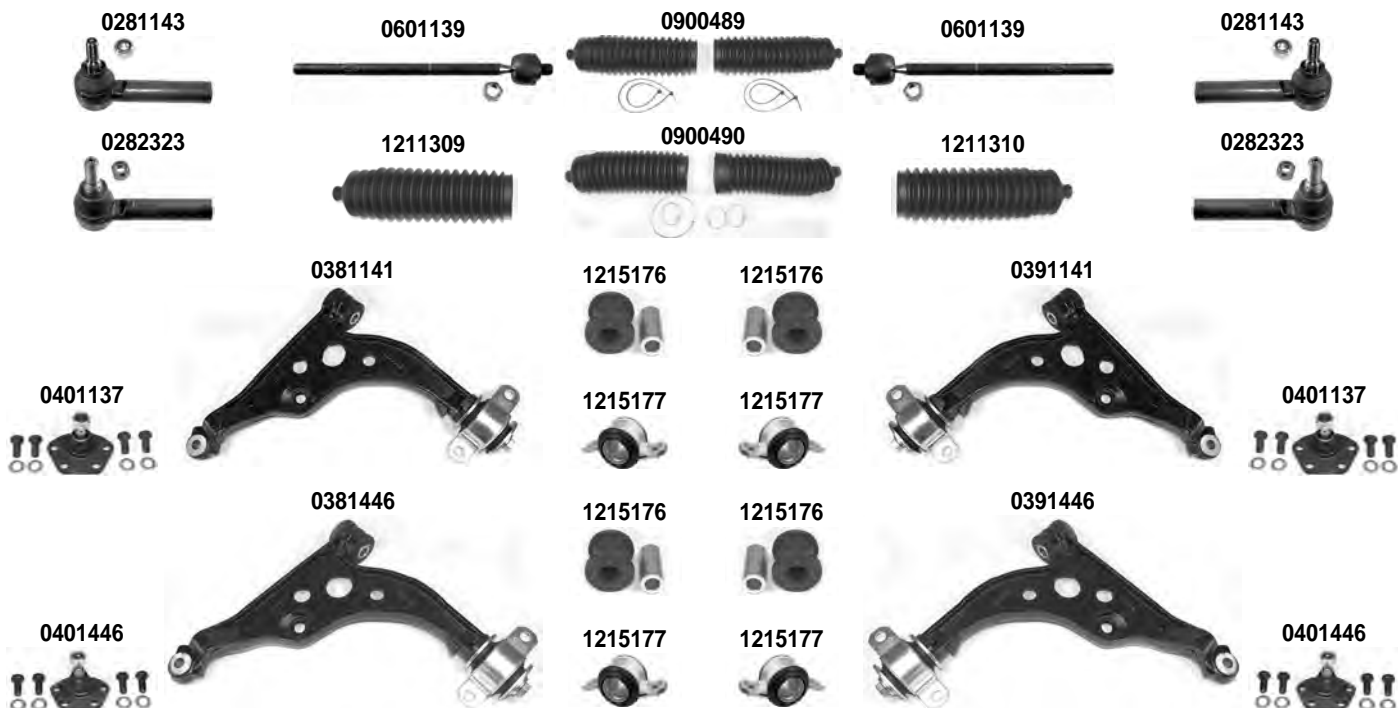
SINISTRO
LEFT

JUMPER - C 25

03/1994 > 2006

Asse Anteriore

Front Axle



i 1) > 12/2002
 3) 01/2003 >
 5) MOD. 1.0 -1.4 t > 01/2001

2) STERZO MANUALE - MANUAL STEERING
 4) SERVOSTERZO - POWER STEERING
 6) MOD. 1.0 -1.4 t 02/2001 >

OCAP	O.E.		i	
0281143	4018A3	TESTA STERZO TIE ROD END	1)	RHT M16x1,5
0282323	4018E0	TESTA STERZO TIE ROD END	3)	
0381141	352165	BRACCIO OSCILLANTE TRACK CONTROL ARM	5)	
0381446	3521J3	BRACCIO OSCILLANTE TRACK CONTROL ARM	6)	
0391141	352095	BRACCIO OSCILLANTE TRACK CONTROL ARM	5)	
0391446	3520N3	BRACCIO OSCILLANTE TRACK CONTROL ARM	6)	
0401137	364032	SNODO SOSPENSIONE SUSPENSION JOINT - LOWER	5)	
0401446	364055	SNODO SOSPENSIONE SUSPENSION JOINT - LOWER	6)	
0601139	4018A4	SNODO ASSIALE AXIAL JOINT		
0900489	9946982	KIT CUFFIA STERZO STEERING GAITER KIT	2)	
0900490	400622	KIT CUFFIA STERZO STEERING GAITER KIT	4)	
1211309	400622 *	CUFFIA STERZO STEERING GAITER	4)	
1211310	4018A5	CUFFIA STERZO STEERING GAITER	4)	
1215176	352393	SILENTBLOCK CENTRALE CENTRAL BUSHING		
1215177	3523AP	SILENTBLOCK ESTREMO OUTER BUSHING		

DESTRO
RIGHT



SINISTRO
LEFT

JUMPER - C 25

03/1994 > 2006

Asse Anteriore



Front Axle



i 7) MOD. 1.8 t > 01/2001 8) MOD. 1.8 t 02/2001 >

OCAP	O.E.		
0181602	508737	PUNTONE BARRA STABILIZZATRICE STABILIZER LINK	
0381140	352166	BRACCIO OSCILLANTE TRACK CONTROL ARM	7)
0381451	3521J4	BRACCIO OSCILLANTE TRACK CONTROL ARM	8)
0391140	352096	BRACCIO OSCILLANTE TRACK CONTROL ARM	7)
0391451	3520N4	BRACCIO OSCILLANTE TRACK CONTROL ARM	8)
0401138	364033	SNODO SOSPENSIONE SUSPENSION JOINT - LOWER	7)
0401451	364054	SNODO SOSPENSIONE SUSPENSION JOINT - LOWER	8)
1215176	352393	SILENTBLOCK CENTRALE CENTRAL BUSHING	
1215177	3523AP	SILENTBLOCK ESTREMO OUTER BUSHING	
1215491	1300720080	GOMMINO PUNTONE BARRA STABILIZZATRICE RUBBER RING STABILIZER LINK	
0181602-K	1300716080 *	KIT PUNTONE BARRA STABILIZZATRICE STABILIZER LINK KIT	

DESTRO
RIGHT



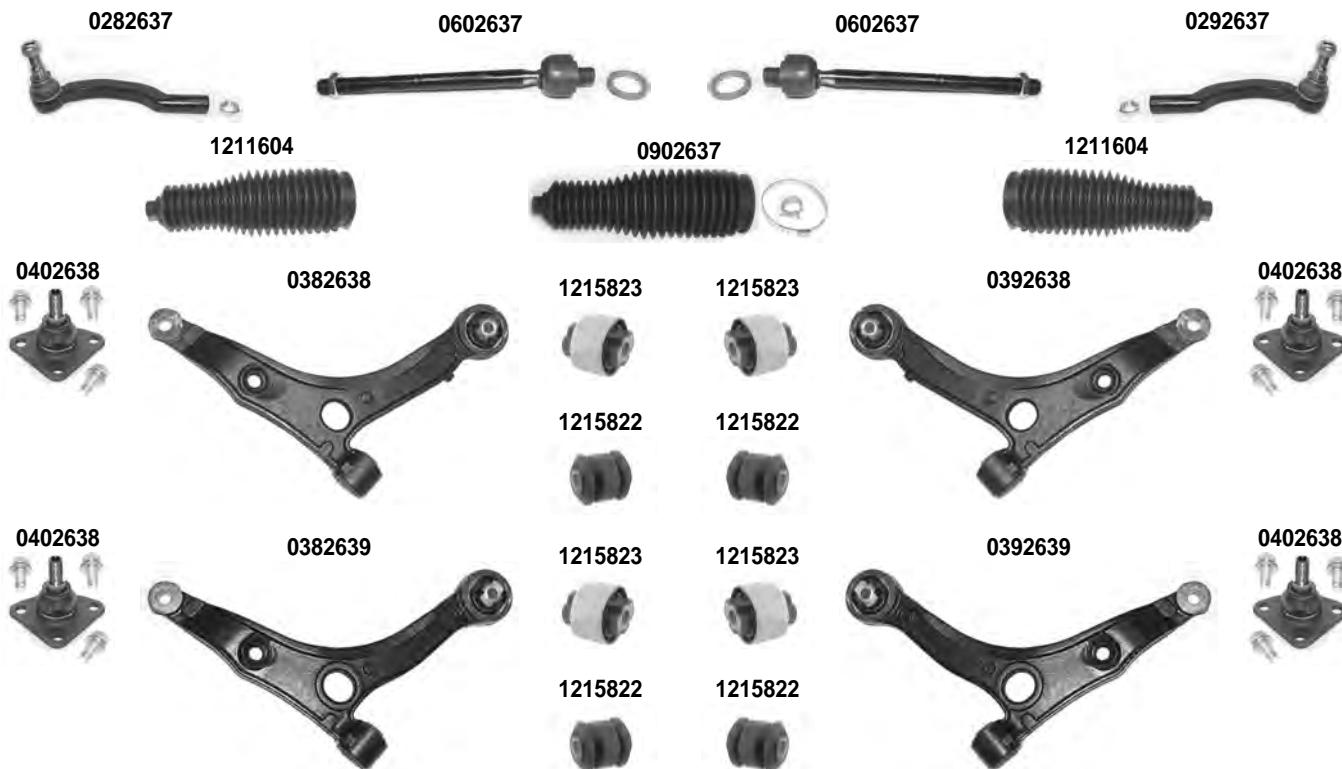
SINISTRO
LEFT

JUMPER

04/2006 >

Asse Anteriore

Front Axle



i 1) MOD. Q11 - Q15 - Q17L
3) > 05/2014

2) MOD. Q17H - Q20

OCAP	O.E.		i	
0282637	77364009	TESTA STERZO TIE ROD END		RHT M16x1,5
0292637	77364253	TESTA STERZO TIE ROD END		RHT M16x1,5
0382638	1352225080	BRACCIO OSCILLANTE TRACK CONTROL ARM	1) 3)	
0382639	1352226080	BRACCIO OSCILLANTE TRACK CONTROL ARM	2) 3)	
0392638	1352227080	BRACCIO OSCILLANTE TRACK CONTROL ARM	1) 3)	
0392639	1352228080	BRACCIO OSCILLANTE TRACK CONTROL ARM	2) 3)	
0402638	50705629	SNODO SOSPENSIONE BALL JOINT		
0602637	4000SF*	SNODO ASSIALE AXIAL JOINT		RHT M16x1,5
0902637	77364254	KIT CUFFIA STERZO STEERING GAITER KIT		
1211604	77364254 *	CUFFIA STERZO STEERING GAITER		
1215822	1374222080 *	SILENTBLOCK CENTRALE CENTRAL BUSHING		
1215823	3520S0	SILENTBLOCK ESTREMO OUTER BUSHING		

DESTRO
RIGHT



SINISTRO
LEFT

JUMPER

04/2006 >

Asse Anteriore



Front Axle





Asse Posteriore



Rear Axle



i 4) 05/2014 >

OCAP	O.E.		i	
0182638	1357572080 *	STABILIZZATORE STABILIZER LINK		
0388667	1374222080	BRACCIO OSCILLANTE TRACK CONTROL ARM	4)	
0398667	1374223080	BRACCIO OSCILLANTE TRACK CONTROL ARM	4)	
0402638	50705629	SNODO SOSPENSIONE BALL JOINT		
0503520	1355449080 *	STABILIZZATORE STABILIZER LINK		
1215822	1374222080 *	SILENTBLOCK CENTRALE CENTRAL BUSHING		
1215823	3520S0	SILENTBLOCK ESTREMO OUTER BUSHING		

DESTRO
RIGHT



SINISTRO
LEFT

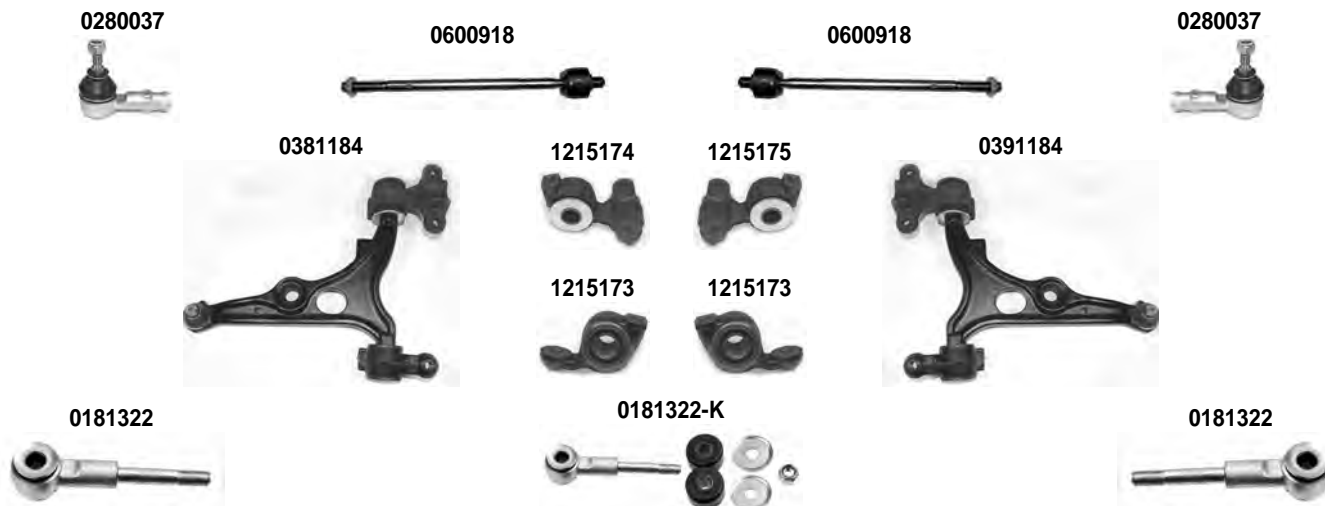
**JUMPY
EVASION**

1995 > 2006
1994 > 2002

Asse Anteriore



Front Axle



Asse Posteriore



Rear Axle

1216436



1216436



OCAP	O.E.			
0181322	508735	PUNTONE BARRA STABILIZZATRICE STABILIZER LINK		
0280037	405909	TESTA STERZO TIE ROD END		RHT M14x1,5
0381184	352164	BRACCIO OSCILLANTE - INFERIORE TRACK CONTROL ARM - LOWER		
0391184	352094	BRACCIO OSCILLANTE - INFERIORE TRACK CONTROL ARM - LOWER		
0600918	3812A4	SNODO ASSIALE AXIAL JOINT		RHT M14x1,5
1215173	3521H1	SILENTBLOCK CENTRALE CENTRAL BUSHING		
1215174	-	SILENTBLOCK ESTREMO OUTER BUSHING		
1215175	-	SILENTBLOCK ESTREMO OUTER BUSHING		
1216436	515261	SILENTBLOCK BUSHING		
0181322-K	1308664080 *	KIT PUNTONE BARRA STABILIZZATRICE STABILIZER LINK KIT		

DESTRO
RIGHT



SINISTRO
LEFT

JUMPY

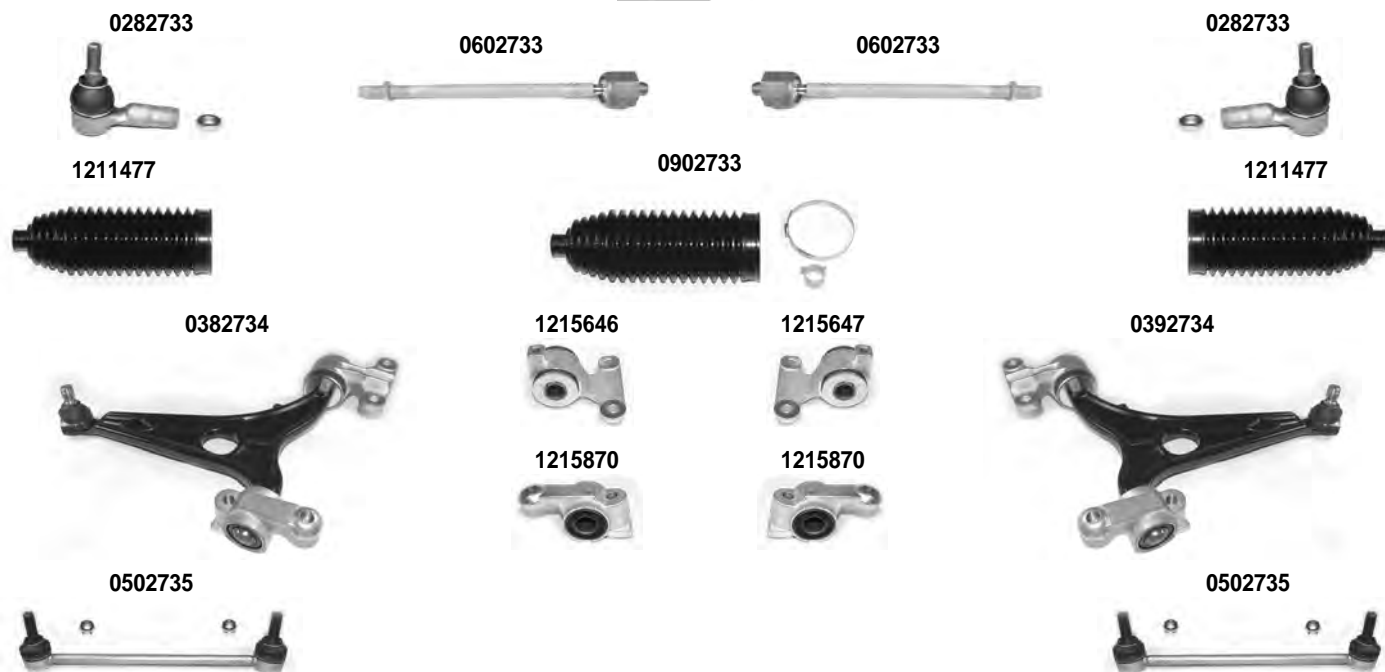
VF7

01/2007 >

Asse Anteriore



Front Axle



OCAP	O.E.		
0282733	381773	TESTA STERZO TIE ROD END	RHT M14x1,5
0382734	3521N9	BRACCIO OSCILLANTE - INFERIORE - ACCIAIO TRACK CONTROL ARM - LOWER - STEEL	
0392734	3520R8	BRACCIO OSCILLANTE - INFERIORE - ACCIAIO TRACK CONTROL ARM - LOWER - STEEL	
0502735	508756	STABILIZZATORE STABILIZER LINK	
0602733	3812F0	SNODO ASSIALE AXIAL JOINT	RHT M14x1,5
0902733	406683	KIT CUFFIE STERZO STEERING GAITER KIT	
1211477	406683 *	CUFFIA STERZO STEERING GAITER	
1215646	3521K6 *	SILENTBLOCK ESTREMO OUTER BUSHING	
1215647	3520P6 *	SILENTBLOCK ESTREMO OUTER BUSHING	
1215870	3521N9 *	SILENTBLOCK CENTRALE CENTRAL BUSHING	

DESTRO
RIGHT



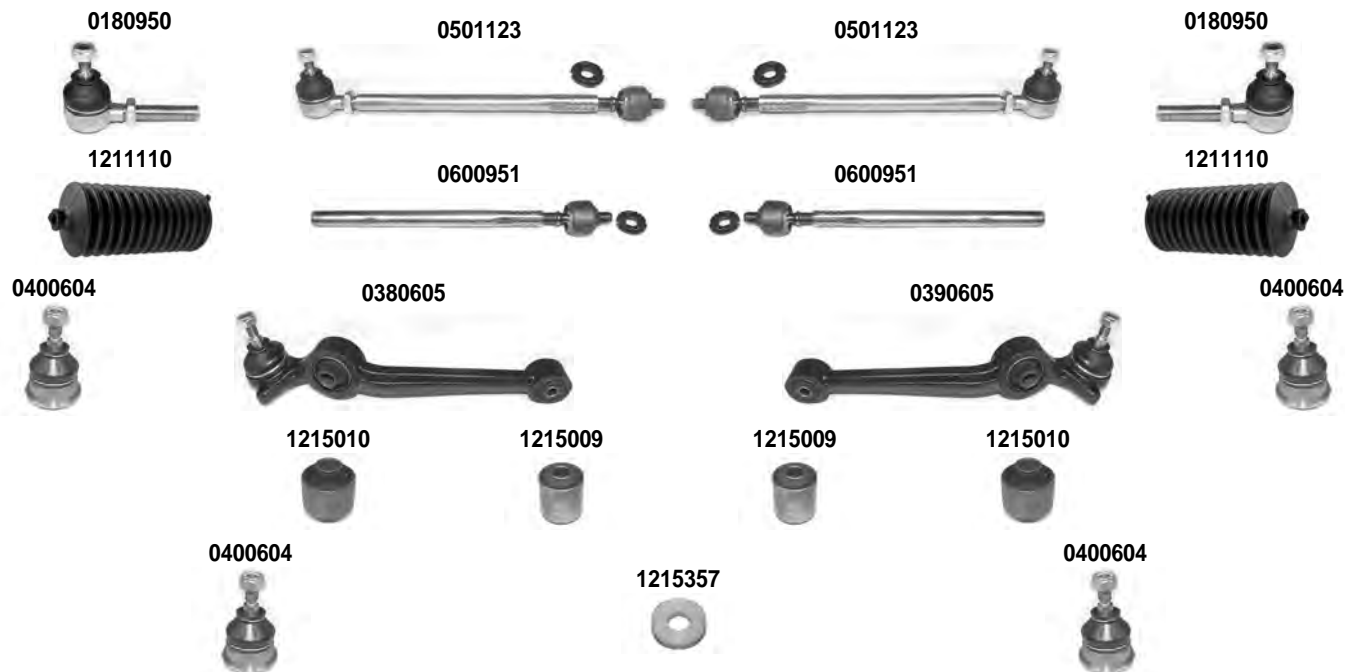
SINISTRO
LEFT

LNA 11 E - 11 RE

1982 >

Asse Anteriore

Front Axle



OCAP	O.E.			
0180950	9471000965	TESTA STERZO TIE ROD END		RHT M14x1,5
0380605	91504359	BRACCIO OSCILLANTE TRACK CONTROL ARM		
0390605	91504358	BRACCIO OSCILLANTE TRACK CONTROL ARM		
0400604	91504248	SNODO SOSPENSIONE - INFERIORE BALL JOINT - LOWER		
0501123	381232 *	BARRA STERZO TIE ROD		
0600951	381225	SNODO ASSIALE AXIAL JOINT		RHT M14x1,5
1211110	406620	CUFFIA STERZO STEERING GAITER		
1215009	352320	SILENTBLOCK ESTREMO OUTER BUSHING		
1215010	352314	SILENTBLOCK CENTRALE CENTRAL BUSHING		
1215357	915001890	BOCCOLA BARRA STABILIZZATRICE STABILIZING BAR BUSHING		

DESTRO
RIGHT



SINISTRO
LEFT

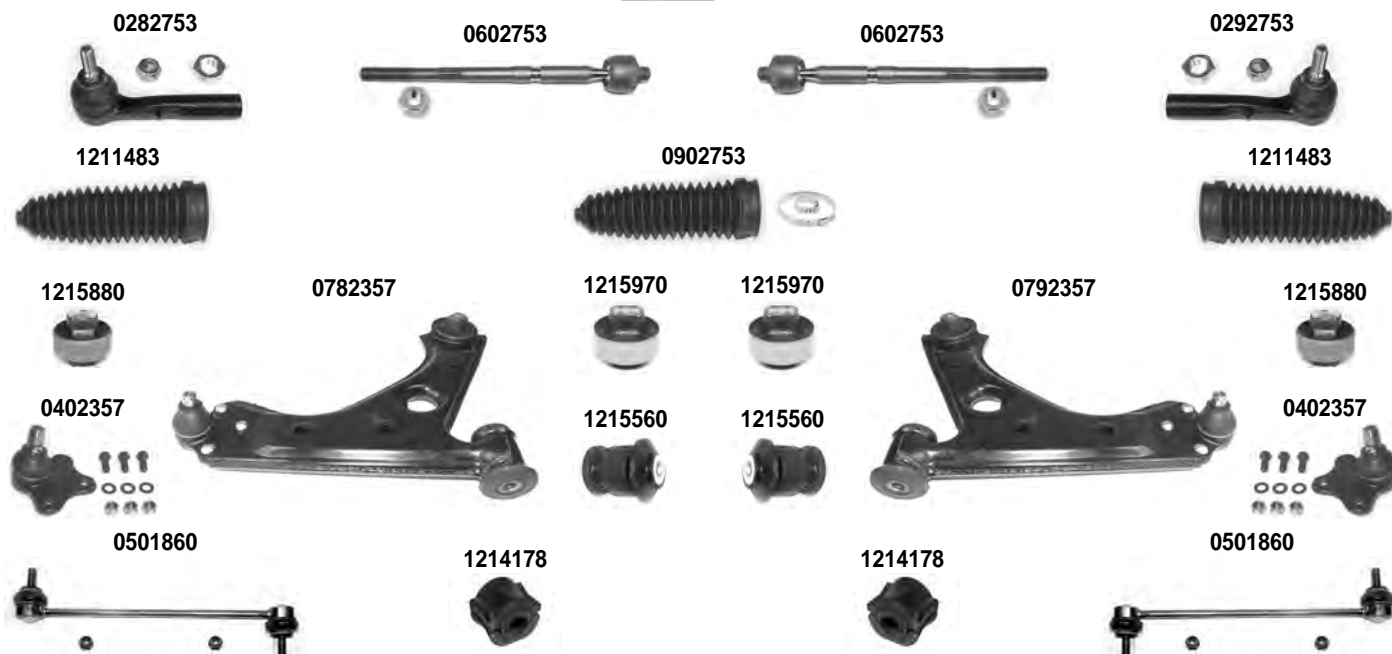
NEMO

2008 >

Asse Anteriore



Front Axle



OCAP	O.E.		
0282753	381787	TESTA STERZO TIE ROD END	RHT M14x1,5
0292753	381786	TESTA STERZO TIE ROD END	RHT M14x1,5
0402357	3521S6 *	SNODO SOSPENSIONE BALL JOINT	
0501860	508779	STABILIZZATORE STABILIZER LINK	
0602753	400177	SNODO ASSIALE AXIAL JOINT	RHT M14x1,5
0782357	3521S6	BRACCIO OSCILLANTE TRACK CONTROL ARM	
0792357	3520W3	BRACCIO OSCILLANTE TRACK CONTROL ARM	
0902753	406691	KIT CUFFIA STERZO STEERING GAITER KIT	
1211483	77364571 *	CUFFIA STERZO STEERING GAITER	
1214178	5094E5	SILENTBLOCK BARRA STABILIZZATRICE STABILIZING BAR BUSHING	DIAM. 21 mm.
1215560	352380	SILENTBLOCK CENTRALE CENTRAL BUSHING	
1215880	55700751 *	SILENTBLOCK VECCHIA VERSIONE OUTER BUSHING OLD VERSION	
1215970	55700751	SILENTBLOCK ESTREMO OUTER BUSHING	

DESTRO
RIGHT



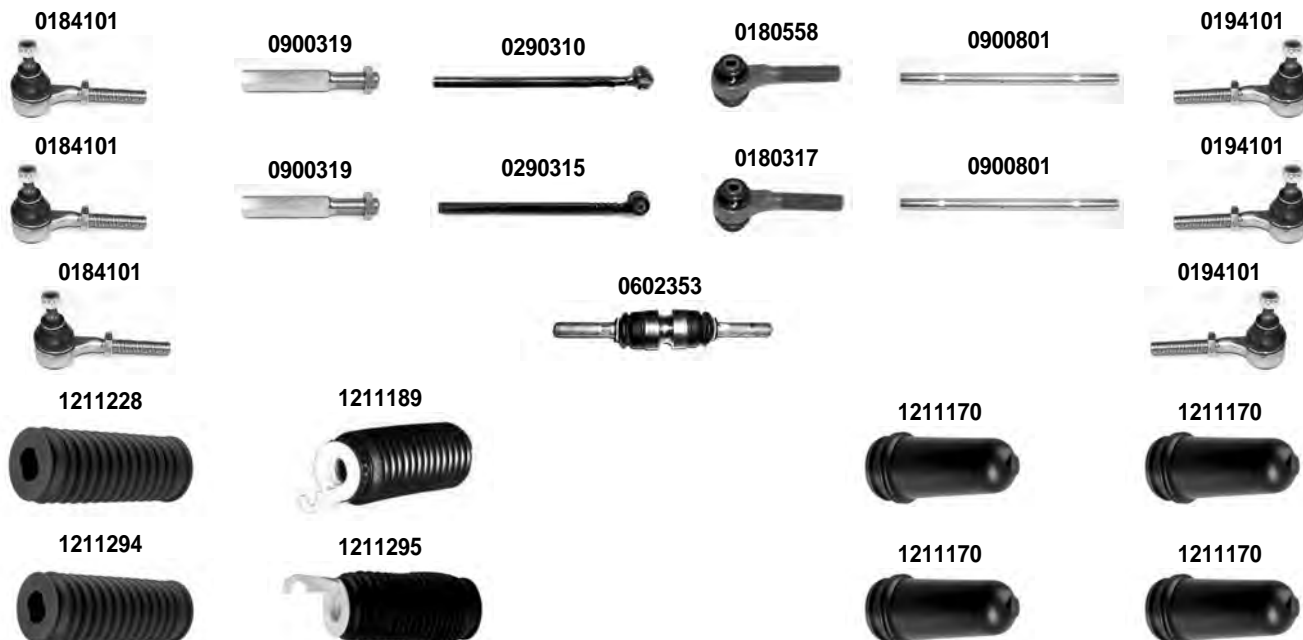
SINISTRO
LEFT

SAXO	1996 >
------	--------

Asse Anteriore



Front Axle



<p>i 1) STERZO MANUALE - MANUAL STEERING: > RP. 07251 - > 09/1996</p> <p>3) RP. 07252 > - 09/1996 ></p> <p>5) STERZO MANUALE - MANUAL STEERING: 7244 ></p> <p>7) SERVOSTERZO - POWER STEERING: 7083 ></p>	<p>2) SERVOSTERZO - POWER STEERING: > RP. 07251 - > 09/1996</p> <p>4) STERZO MANUALE - MANUAL STEERING: > 7244</p> <p>6) SERVOSTERZO - POWER STEERING: > 7083</p>
--	---

OCAP	O.E.		i	
0180317	381733	TESTA STERZO TIE ROD END	2)	
0180558	381732	TESTA STERZO TIE ROD END	1)	
0184101	381742	TESTA STERZO TIE ROD END		RHT M14x1,5
0194101	381741	TESTA STERZO TIE ROD END		RHT M14x1,5
0290310	381735	TESTA STERZO - STERZO MANUALE TIE ROD END	1)	
0290315	381736	TESTA STERZO - SERVOSTERZO TIE ROD END - POWER STEERING	2)	
0602353	381747	SNODO ASSIALE AXIAL JOINT	3)	
0900319	381734	GIUNTO COLLEGAMENTO ADJUSTMENT BOLT		
0900801	3812A0	GIUNTO COLLEGAMENTO ADJUSTMENT BOLT		
1211170	406632	CUFFIA STERZO STEERING GAITER		
1211189	406648	CUFFIA STERZO STEERING GAITER	5)	
1211228	406634	CUFFIA STERZO STEERING GAITER	4)	
1211294	406636	CUFFIA STERZO STEERING GAITER	6)	
1211295	406650	CUFFIA STERZO STEERING GAITER	7)	

DESTRO
RIGHT

 SINISTRO
LEFT

SAXO

1996 >

Asse Anteriore



Front Axle

1215275

0380313

0390313

1215275

1215058

0400199

0400199

1215058

0380211

1215112



1215112

0390211

1215210

1215210

i 8) MOD. MOTORE - ENGINE TU5JP

OCAP	O.E.		i	
0380211	352093	BRACCIO OSCILLANTE - GHISA TRACK CONTROL ARM - CAST IRON	8)	
0380313	352079	BRACCIO OSCILLANTE TRACK CONTROL ARM		
0390211	352092	BRACCIO OSCILLANTE - GHISA TRACK CONTROL ARM - CAST IRON	8)	
0390313	352078	BRACCIO OSCILLANTE TRACK CONTROL ARM		
0400199	364036	SNODO SOSPENSIONE BALL JOINT		DIAM. 16 mm.
1215058	352351	SILENTBLOCK ESTREMO OUTER BUSHING		DIAM. 16,8 mm.
1215112	352353	SILENTBLOCK ESTREMO OUTER BUSHING		DIAM. 16,6 mm.
1215210	352352	SILENTBLOCK CENTRALE CENTRAL BUSHING		
1215275	352350	SILENTBLOCK CENTRALE CENTRAL BUSHING		

DESTRO
RIGHT



SINISTRO
LEFT

SAXO	1996 >
------	--------

Asse Anteriore



Front Axle



i 8) MOD. MOTORE - ENGINE TU5JP

OCAP	O.E.		i	
0384101	352093	BRACCIO OSCILLANTE - ACCIAIO TRACK CONTROL ARM - STEEL	8)	
0394101	352092	BRACCIO OSCILLANTE - ACCIAIO TRACK CONTROL ARM - STEEL	8)	
0501553	508740	STABILIZZATORE STABILIZER LINK	8)	
1214113	509459	SILENTBLOCK BARRA STABILIZZATRICE STABILIZING BAR BUSHING		DIAM. 19 mm.
1215112	352353	SILENTBLOCK ESTREMO OUTER BUSHING		DIAM. 16,6 mm.
1215210	352352	SILENTBLOCK CENTRALE CENTRAL BUSHING		
1215406	509457	BOCCOLA BARRA STABILIZZATRICE STABILIZING BAR BUSHING		DIAM. 21 mm.

DESTRO
RIGHT



SINISTRO
LEFT

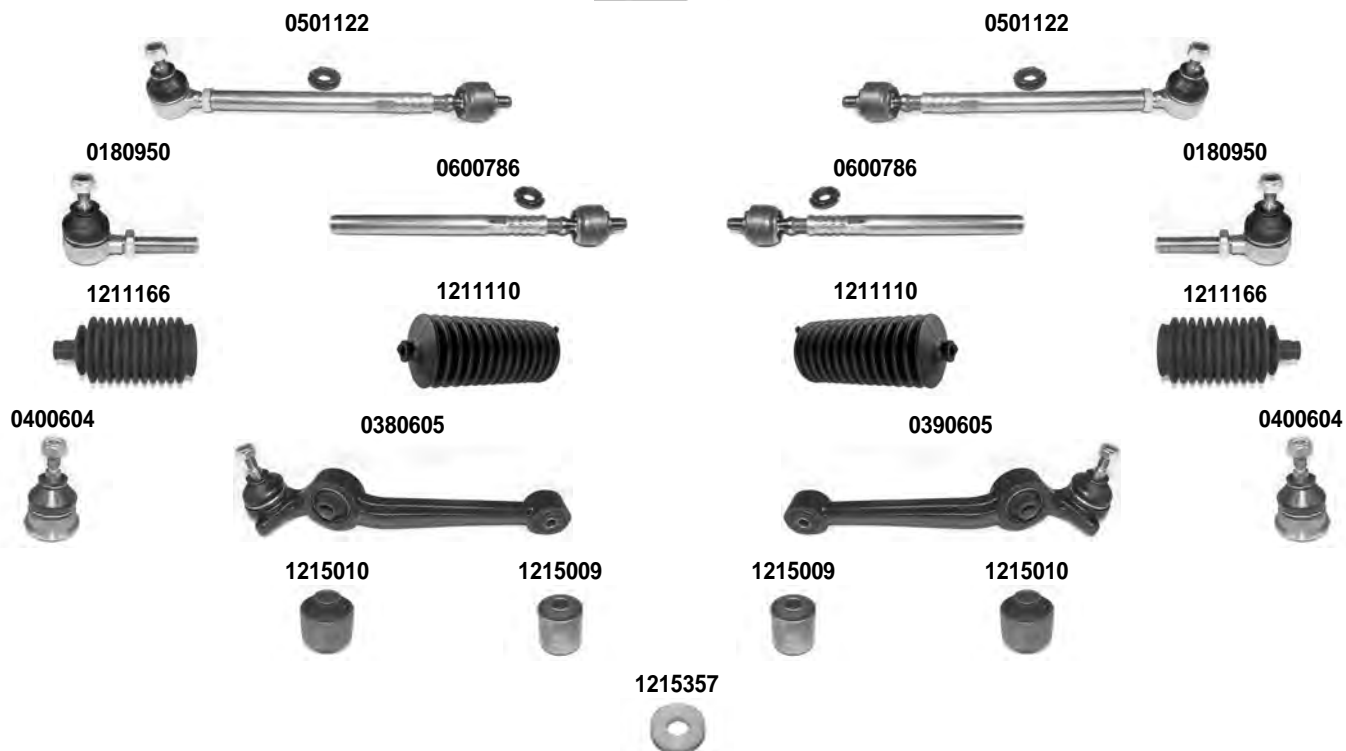
VISA (652 - 1219 - 1360)

1978 > 1982

Asse Anteriore



Front Axle



1) > 10/1979		2) 10/1979 >	
OCAP	O.E.		
0180950	9471000965	TESTA STERZO TIE ROD END	RHT M14x1,5
0380605	91504359	BRACCIO OSCILLANTE TRACK CONTROL ARM	
0390605	91504358	BRACCIO OSCILLANTE TRACK CONTROL ARM	
0400604	91504248	SNODO SOSPENSIONE - INFERIORE BALL JOINT - LOWER	
0501122	381215 *	BARRA STERZO TIE ROD	
0600786	381215 **	SNODO ASSIALE AXIAL JOINT	RHT M14x1,5
1211110	406620	CUFFIA STERZO STEERING GAITER	2)
1211166	5503495	CUFFIA STERZO STEERING GAITER	1)
1215009	352320	SILENTBLOCK ESTREMO OUTER BUSHING	
1215010	352314	SILENTBLOCK CENTRALE CENTRAL BUSHING	
1215357	915001890	BOCCOLA BARRA STABILIZZATRICE STABILIZING BAR BUSHING	

VISA (652 - 1219 - 1360)

VISA (652 - 1224 - 1360 - 1719 - DIESEL)

DESTRO
RIGHT



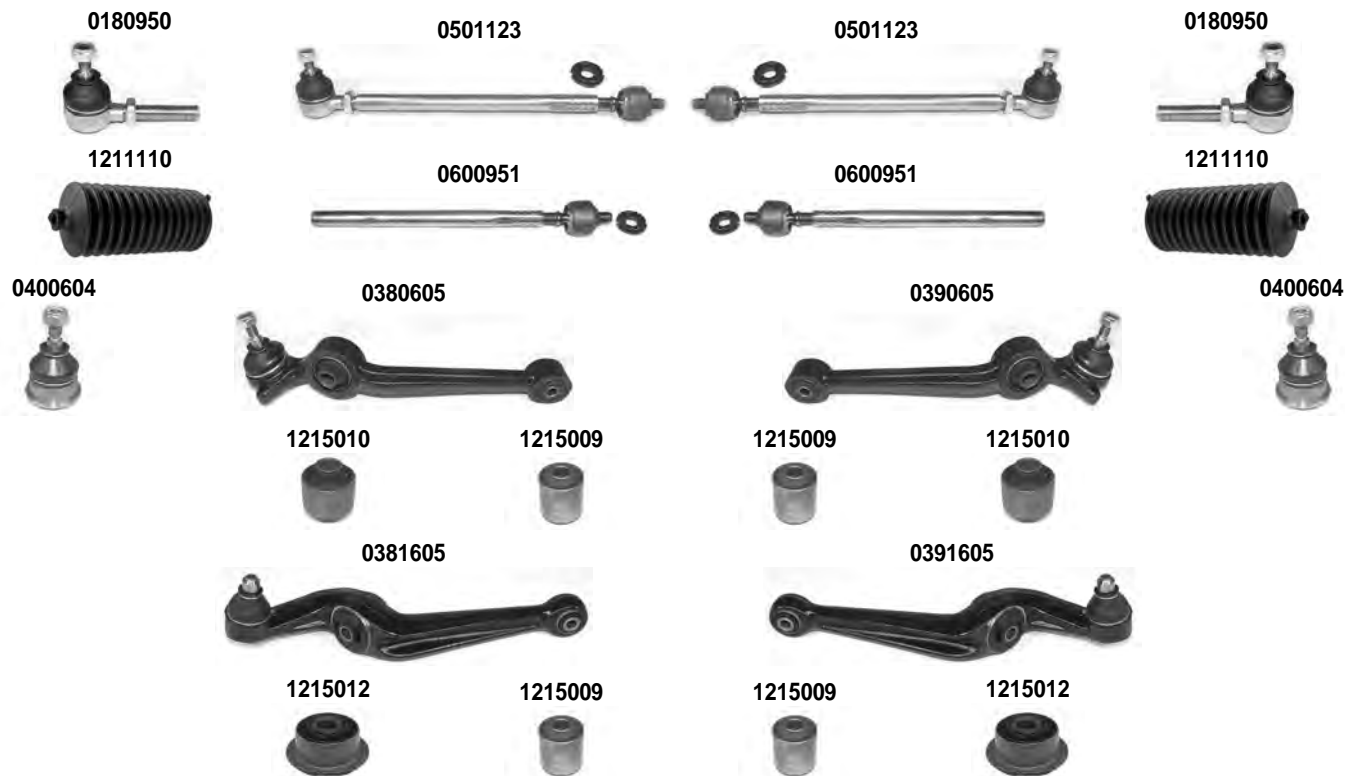
SINISTRO
LEFT

VISA (652 - 1224 - 1360 - 1719 - DIESEL)

1982 >

Asse Anteriore

Front Axle



i 1) MOD. DIESEL - 07/1985 >

OCAP	O.E.		i	
0180950	9471000965	TESTA STERZO TIE ROD END		RHT M14x1,5
0380605	91504359	BRACCIO OSCILLANTE TRACK CONTROL ARM		
0381605	352134	BRACCIO OSCILLANTE TRACK CONTROL ARM	1)	
0390605	91504358	BRACCIO OSCILLANTE TRACK CONTROL ARM		
0391605	352051	BRACCIO OSCILLANTE TRACK CONTROL ARM	1)	
0400604	91504248	SNODO SOSPENSIONE - INFERIORE BALL JOINT - LOWER		
0501123	381232 *	BARRA STERZO TIE ROD		
0600951	381225	SNODO ASSIALE AXIAL JOINT		RHT M14x1,5
1211110	406620	CUFFIA STERZO STEERING GAITER		
1215009	352320	SILENTBLOCK ESTREMO OUTER BUSHING		
1215010	352314	SILENTBLOCK CENTRALE CENTRAL BUSHING		
1215012	352349	SILENTBLOCK CENTRALE CENTRAL BUSHING		

DESTRO
RIGHT

 SINISTRO
LEFT

VISA (652 - 1224 - 1360 - 1719 - DIESEL)

1982 >

Asse Anteriore



Front Axle

1215430

0901098

1215367

1215389

1215357

1215390


i 2) MOD. 1.400 cc. 4) MOD. DIESEL	3) MOD. 1.100 cc.
--	-------------------

OCAP	O.E.		i	
0901098	5099440 *	KIT BARRA STABILIZZATRICE <i>STABILIZING BAR KIT</i>	4)	DIAM. 23 mm.
1215357	915001890	BOCCOLA BARRA STABILIZZATRICE <i>STABILIZING BAR BUSHING</i>		DIAM. 20 mm.
1215367	509440	BOCCOLA BARRA STABILIZZATRICE <i>STABILIZING BAR BUSHING</i>	4)	DIAM. 23 mm.
1215389	7910014619	BOCCOLA BARRA STABILIZZATRICE <i>STABILIZING BAR BUSHING</i>	3)	DIAM. 20 mm.
1215390	91500679	BOCCOLA BARRA STABILIZZATRICE <i>STABILIZING BAR BUSHING</i>	2)	DIAM. 19 mm.
1215430	404014	GIUNTO SCATOLA STERZO <i>RUBBER JOINT STEERING BOX</i>		

VISA GTI (1580 cc)

DESTRO
RIGHT



SINISTRO
LEFT

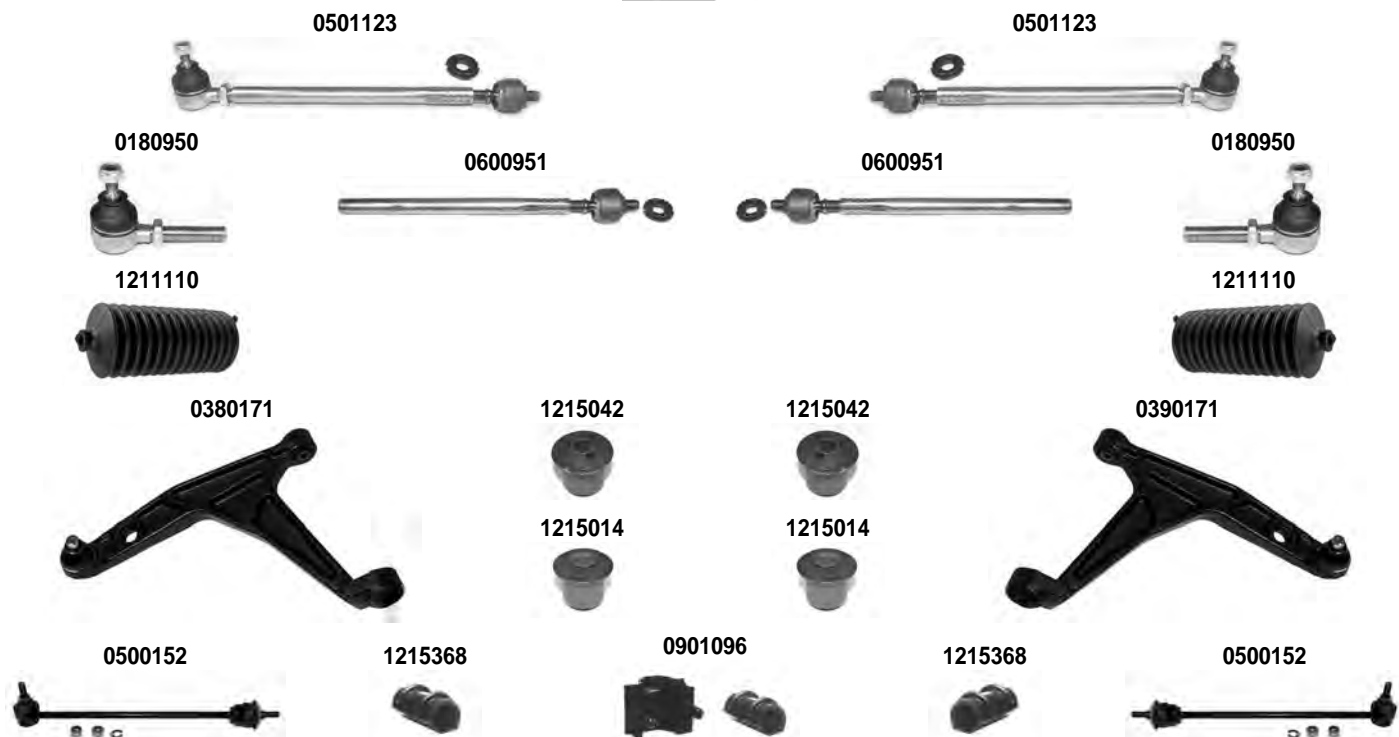
VISA GTI (1580 cc)

1982 >

Asse Anteriore



Front Axle



OCAP	O.E.			
0180950	9471000965	TESTA STERZO TIE ROD END		RHT M14x1,5
0380171	91519408	BRACCIO OSCILLANTE TRACK CONTROL ARM		
0390171	91519409	BRACCIO OSCILLANTE TRACK CONTROL ARM		
0500152	508732	STABILIZZATORE STABILIZER LINK		
0501123	381232 *	BARRA STERZO TIE ROD		
0600951	381225	SNODO ASSIALE AXIAL JOINT		RHT M14x1,5
0901096	-	KIT BARRA STABILIZZATRICE STABILIZING BAR KIT		
1211110	406620	CUFFIA STERZO STEERING GAITER		
1215014	352331	SILENTBLOCK ESTREMO OUTER BUSHING		
1215042	352323	SILENTBLOCK CENTRALE CENTRAL BUSHING		
1215368	509436	BOCCOLA BARRA STABILIZZATRICE STABILIZING BAR BUSHING		

DESTRO
RIGHT



SINISTRO
LEFT

XANTIA

1993 >

Asse Anteriore



Front Axle



i 1) SOLO PER - ONLY FOR: 2.0 TURBO - 2.1 TURBO - 3.0 24V - 2.0 HDI
 2) STERZO MANUALE - MANUAL STEERING
 3) SERVOSTERZO - POWER STEERING: > CH. 6778
 4) SERVOSTERZO - POWER STEERING: CH. 6779 >

OCAP	O.E.		i	
0181538	381744	TESTA STERZO TIE ROD END	1)	RHT M16x1,5
0184101	381742	TESTA STERZO TIE ROD END		RHT M14x1,5
0191538	381743	TESTA STERZO TIE ROD END	1)	RHT M16x1,5
0194101	381741	TESTA STERZO TIE ROD END		RHT M14x1,5
0601550	3812A9	SNODO ASSIALE AXIAL JOINT	1)	RHT M16x1,5
0604105	381297	SNODO ASSIALE AXIAL JOINT		RHT M14x1,5
0900323	-	KIT CUFFIE STERZO STEERING GAITER KIT	3)	
0900324	-	KIT CUFFIE STERZO STEERING GAITER KIT	4)	
0901680	-	KIT CUFFIE STERZO STEERING GAITER KIT	2)	
1211177	406637	CUFFIA STERZO STEERING GAITER	2)	
1211227	406630	CUFFIA STERZO STEERING GAITER	3)	

DESTRO
RIGHT



SINISTRO
LEFT

XANTIA

1993 >

Asse Anteriore



Front Axle



Asse Posteriore



Rear Axle



<p>i 5) > 1996 7) VEICOLI SENZA IMPIANTO CORREZIONE ALTEZZA - SOLO DA CH. O 08851 > - FOR VEHICLES WITHOUT RIDE HEIGHT ADJUSTMENT - FROM CH. O 08851 ></p>	<p>6) PER TUTTI I VEICOLI CON IMPIANTO CORREZIONE ALTEZZA - VEICOLI SENZA IMPIANTO CORREZIONE ALTEZZA SOLO FINO A > CH. O 08850 - FOR ALL VEHICLES WITH RIDE HEIGHT ADJUSTMENT - FOR VEHICLES WITHOUT RIDE HEIGHT ADJUSTMENT TO CH. O 08850</p>
--	---

OCAP	O.E.		i	
0380398	352182	BRACCIO OSCILLANTE TRACK CONTROL ARM		
0390398	3520C2	BRACCIO OSCILLANTE TRACK CONTROL ARM		
0400309	95028039	SNODO SOSPENSIONE INFERIORE BALL JOINT LOWER		
0501553	508740	STABILIZZATORE STABILIZER LINK	6)	
0501642	96145457	STABILIZZATORE STABILIZER LINK	5)	
0501857	508748	STABILIZZATORE STABILIZER LINK	7)	
0902332	95619159	KIT RIPARAZIONE BRACCIO OSCILLANTE REPAIRING KIT CONTROL ARM		
1215324	96083570	SILENTBLOCK CENTRALE CENTRAL BUSHING		
1215325	352382	SILENTBLOCK ESTREMO OUTER BUSHING		
1215326	352381	SILENTBLOCK ESTREMO OUTER BUSHING		

DESTRO
RIGHT



SINISTRO
LEFT

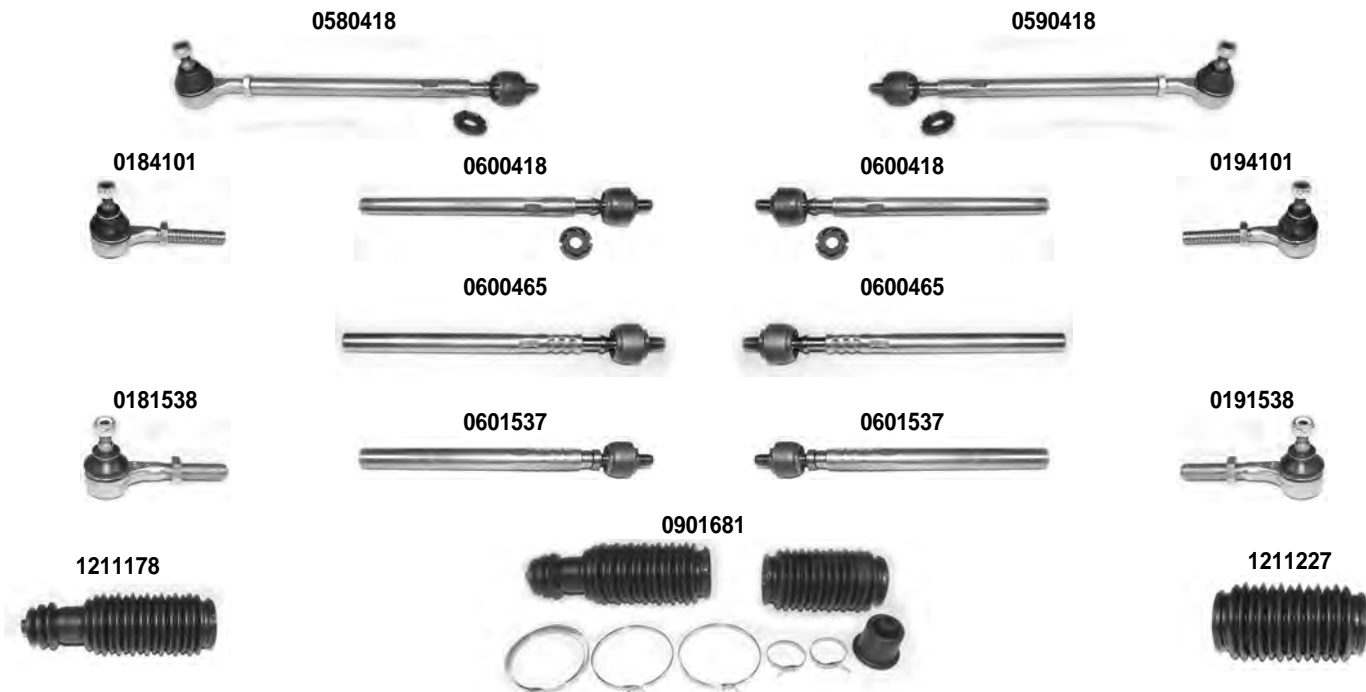
XM

XM	Y3 Y4	1989 > 06/1994 06/1994 > 2000
----	----------	----------------------------------

Asse Anteriore



Front Axle



i 1) SOLO PER SERIE - ONLY FOR SERIES: Y3	2) SOLO PER SERIE - ONLY FOR SERIES: Y4
--	---

OCAP	O.E.		i	
0181538	381744	TESTA STERZO TIE ROD END	2)	RHT M16x1,5
0184101	381742	TESTA STERZO TIE ROD END		RHT M14x1,5
0191538	381743	TESTA STERZO TIE ROD END	2)	RHT M16x1,5
0194101	381741	TESTA STERZO TIE ROD END		RHT M14x1,5
0580418	381280	BARRA STERZO TIE ROD	1)	
0590418	381281	BARRA STERZO TIE ROD	1)	
0600418	96032460	SNODO ASSIALE AXIAL JOINT	1)	RHT M14x1,5
0600465	3812A8	SNODO ASSIALE AXIAL JOINT	2)	RHT M14x1,5
0601537	3812A6	SNODO ASSIALE AXIAL JOINT	2)	RHT M16x1,5
0901681	406629 *	KIT CUFFIE STERZO STEERING GAITER KIT		
1211178	406629	CUFFIA STERZO STEERING GAITER		
1211227	406630	CUFFIA STERZO STEERING GAITER		

XM

DESTRO
RIGHT



SINISTRO
LEFT

XM	Y3 Y4	1989 > 06/1994 06/1994 > 2000
----	----------	----------------------------------

Asse Anteriore



Front Axle



0400309



0400309



OCAP	O.E.			
0400309	95028039	SNODO SOSPENSIONE - INFERIORE BALL JOINT - LOWER		
0501555	508741	STABILIZZATORE STABILIZER LINK		

DESTRO
RIGHT

 SINISTRO
LEFT

XSARA

1996 > 1999

Asse Anteriore



Front Axle



i 1) STERZO MANUALE - MANUAL STEERING	2) SERVOSTERZO - POWER STEERING
--	---------------------------------

OCAP	O.E.		i	
0180950	9471000965	TESTA STERZO TIE ROD END		RHT M14x1,5
0400641	364039	SNODO SOSPENSIONE - INFERIORE BALL JOINT - LOWER	1)	
0500639	3812E4 *	BARRA STERZO TIE ROD		
0600639	3812E4	SNODO ASSIALE AXIAL JOINT		RHT M14x1,5
0780072	3521A8	BRACCIO OSCILLANTE COMPLETO COMPLETE TRACK CONTROL ARM	1)	
0790072	3520F8	BRACCIO OSCILLANTE COMPLETO COMPLETE TRACK CONTROL ARM	1)	
1211114	406622	CUFFIA STERZO STEERING GAITER	2)	
1211208	406644	CUFFIA STERZO STEERING GAITER	1)	
1211209	406643	CUFFIA STERZO STEERING GAITER	1)	
1215144	352375	SILENTBLOCK ESTREMO OUTER BUSHING		
1215145	96110483	SILENTBLOCK CENTRALE CENTRAL BUSHING		

DESTRO
RIGHT



SINISTRO
LEFT

XSARA	1996 > 1999
-------	-------------

Asse Anteriore

Front Axle



i 2) SERVOSTERZO - POWER STEERING 4) VERSIONE RINFORZATA - REINFORCED VERSION	3) SOLO PER - ONLY FOR: MOD. TURBODIESEL
---	--

OCAP	O.E.	 DESCRIPTION	i	
0400642	364042	SNODO SOSPENSIONE - INFERIORE BALL JOINT - LOWER	2) 3)	
0501548	508746	STABILIZZATORE STABILIZER LINK		
0505737	508746 *	STABILIZZATORE STABILIZER LINK	4)	
0780073	3521A7	BRACCIO OSCILLANTE COMPLETO COMPLETE TRACK CONTROL ARM	2) 3)	
0790073	3520F7	BRACCIO OSCILLANTE COMPLETO COMPLETE TRACK CONTROL ARM	2) 3)	
1214172	509477	SILENTBLOCK BARRA STABILIZZATRICE STABILIZING BAR BUSHING		DIAM. 22 mm.
1215144	352375	SILENTBLOCK ESTREMO OUTER BUSHING		
1215145	96110483	SILENTBLOCK CENTRALE CENTRAL BUSHING		

DESTRO
RIGHT

 SINISTRO
LEFT

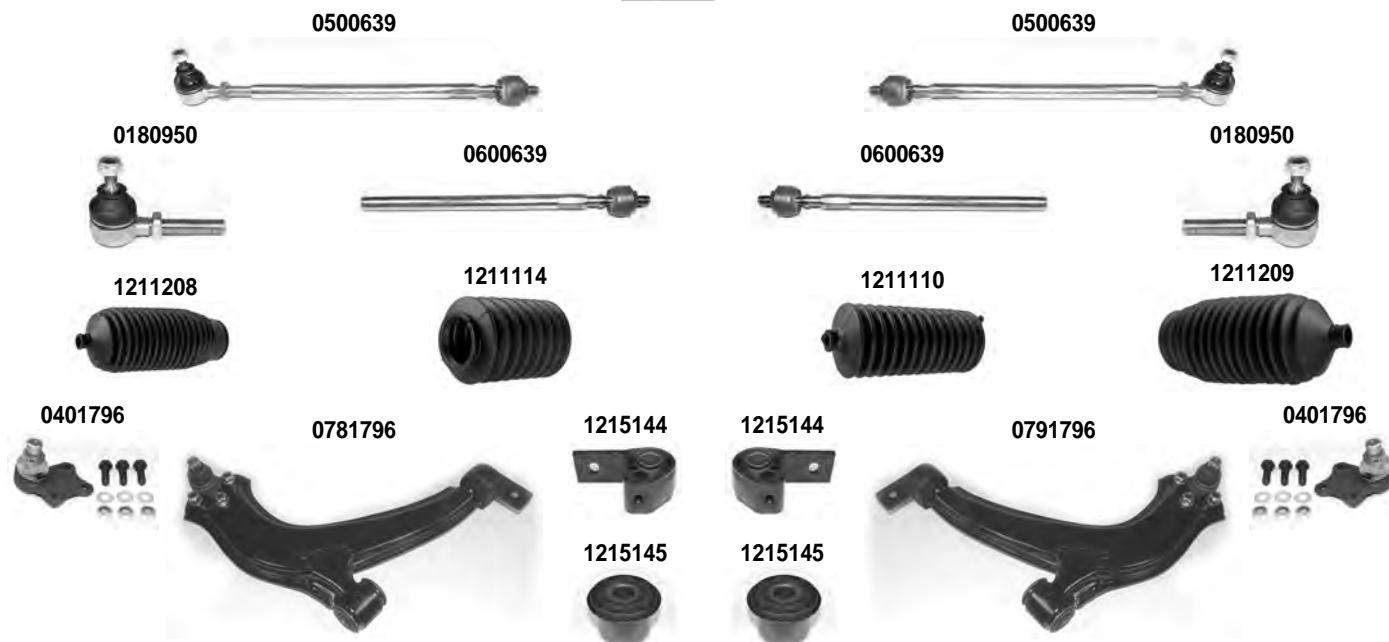
XSARA (EXCEPT PICASSO)

2000 >

Asse Anteriore



Front Axle



i 1) STERZO MANUALE - MANUAL STEERING 3) 7973 >	2) SERVOSTERZO - POWER STEERING
---	---------------------------------

OCAP	O.E.			
0180950	9471000965	TESTA STERZO TIE ROD END		RHT M14x1,5
0401796	364050	SNODO SOSPENSIONE BALL JOINT	1) 3)	DIAM. 18 mm.
0500639	3812E4 *	BARRA STERZO TIE ROD		
0600639	3812E4	SNODO ASSIALE AXIAL JOINT		RHT M14x1,5
0781796	-	BRACCIO OSCILLANTE - CON SNODO COMPLETE TRACK CONTROL ARM	1) 3)	
0791796	-	BRACCIO OSCILLANTE - CON SNODO COMPLETE TRACK CONTROL ARM	1) 3)	
1211110	406620	CUFFIA STERZO STEERING GAITER	2)	
1211114	406622	CUFFIA STERZO STEERING GAITER	2)	
1211208	406644	CUFFIA STERZO STEERING GAITER	1)	
1211209	406643	CUFFIA STERZO STEERING GAITER	1)	
1215144	352375	SILENTBLOCK ESTREMO OUTER BUSHING		
1215145	96110483	SILENTBLOCK CENTRALE CENTRAL BUSHING		

DESTRO
RIGHT



SINISTRO
LEFT

XSARA (EXCEPT PICASSO)

2000 >

Asse Anteriore



Front Axle



i 2) SERVOSTERZO - POWER STEERING
4) VERSIONE RINFORZATA - REINFORCED VERSION 3) 7973 >

OCAP	O.E.		i	
0401797	364051	SNODO SOSPENSIONE BALL JOINT	2) 3)	DIAM. 18 mm.
0501548	508746	STABILIZZATORE STABILIZER LINK		
0505737	508746 *	STABILIZZATORE STABILIZER LINK	4)	
0781797	-	BRACCIO OSCILLANTE COMPLETO - INFERIORE COMPLETE TRACK CONTROL ARM - LOWER	2) 3)	
0781827	3521E8	BRACCIO OSCILLANTE - SENZA SNODO TRACK CONTROL ARM - WITHOUT BALL JOINT	3)	
0791797	-	BRACCIO OSCILLANTE COMPLETO - INFERIORE COMPLETE TRACK CONTROL ARM - LOWER	2) 3)	
0791827	3520H8	BRACCIO OSCILLANTE - SENZA SNODO TRACK CONTROL ARM - WITHOUT BALL JOINT	3)	
1215144	352375	SILENTBLOCK ESTREMO OUTER BUSHING		
1215145	96110483	SILENTBLOCK CENTRALE CENTRAL BUSHING		

DESTRO
RIGHT



SINISTRO
LEFT

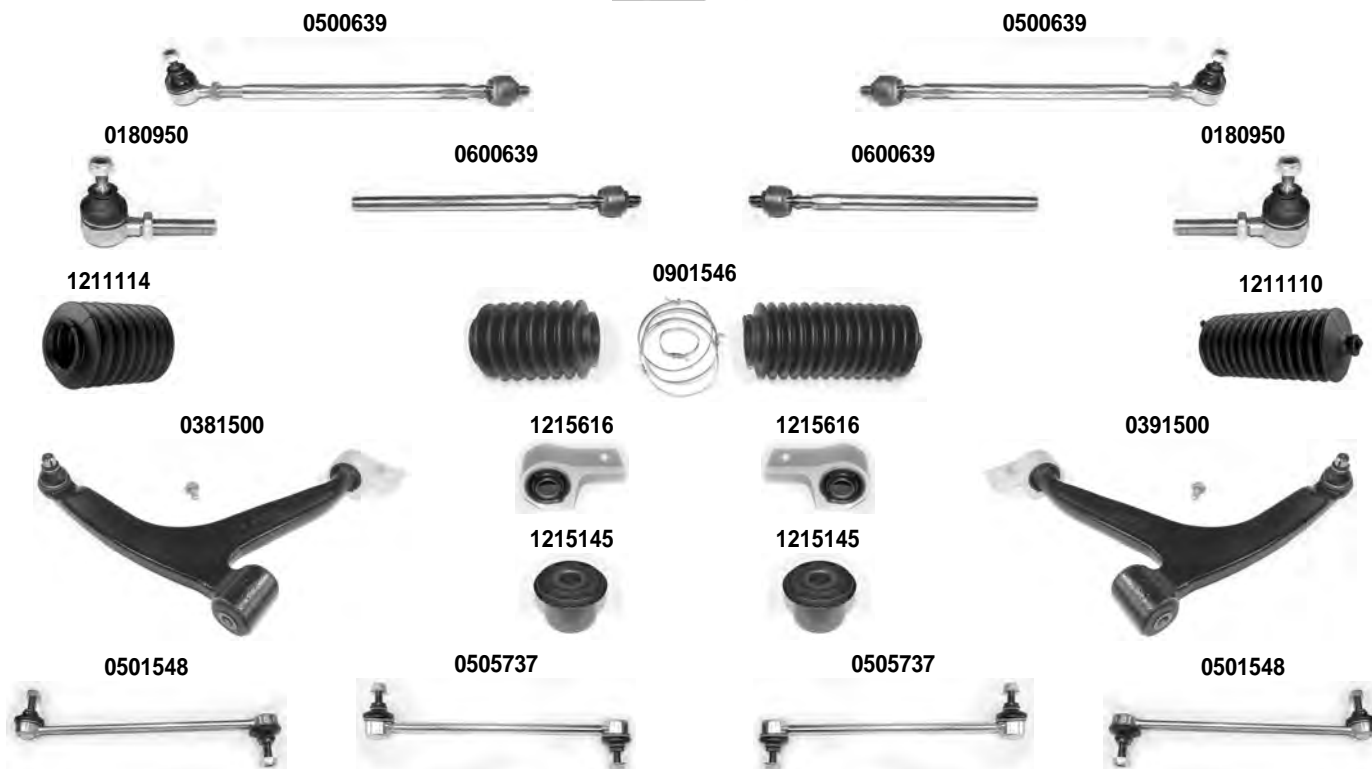
XSARA PICASSO

2000 >

Asse Anteriore



Front Axle



i 1) SERVOSTERZO - POWER STEERING
 3) VERSIONE RINFORZATA - REINFORCED VERSION

2) TUTTI I MODELLI - XSARA PICASSO MOTORI 1.6 - 1.8
 16V BENZINA - ALL MODELS - XSARA PICASSO 1.6 - 1.8
 16V GASOLINE ENGINE - > 09064FV

OCAP	O.E.		i	
0180950	9471000965	TESTA STERZO TIE ROD END		RHT M14x1,5
0381500	3521R4	BRACCIO OSCILLANTE TRACK CONTROL ARM	2)	
0391500	3520V3	BRACCIO OSCILLANTE TRACK CONTROL ARM	2)	
0500639	3812E4 *	BARRA STERZO TIE ROD		
0501548	508746	STABILIZZATORE STABILIZER LINK		
0505737	508746 *	STABILIZZATORE STABILIZER LINK	3)	
0600639	3812E4	SNODO ASSIALE AXIAL JOINT		RHT M14x1,5
0901546	406622 *	KIT CUFFIE STERZO STEERING GAITER KIT	1)	
1211110	406020	CUFFIA STERZO STEERING GAITER	1)	
1211114	406022	CUFFIA STERZO STEERING GAITER	1)	
1215145	96110483	SILENTBLOCK CENTRALE CENTRAL BUSHING		
1215616	352383	SILENTBLOCK ESTREMO OUTER BUSHING		

DESTRO
RIGHT



SINISTRO
LEFT

XSARA PICASSO

2000 >

Asse Anteriore

Front Axle



<p>i 4) TUTTI I MODELLI - STERZO MANUALE - XSARA PICASSO 1.6-1.8 16V BENZINA - MANUAL STEERING - ALL MODELS - ONLY XSARA PICASSO 1.6-1.8 16V GASOLINE ENGINE - 09064FV ></p> <p>6) TUTTI I MODELLI - XSARA PICASSO 1.6-1.8 16V BENZINA - ALL MODELS - XSARA PICASSO 1.6-1.8 16V GASOLINE ENGINE - 09064FV ></p>	<p>5) SERVOSTERZO - TUTTI I MODELLI - XSARA PICASSO 1.6-1.8 16V BENZINA - POWER STEERING - ALL MODELS - XSARA PICASSO 1.6-1.8 16V GASOLINE ENGINE - 09064FV ></p>
--	--

OCAP	O.E.		i	
0401796	364050	SNODO SOSPENSIONE <i>BALL JOINT</i>	4)	DIAM. 18 mm.
0401797	364051	SNODO SOSPENSIONE <i>BALL JOINT</i>	5)	DIAM. 18 mm.
0781796	-	BRACCIO OSCILLANTE - CON SNODO <i>COMPLETE TRACK CONTROL ARM</i>	4)	
0781797	-	BRACCIO OSCILLANTE COMPLETO - INFERIORE <i>COMPLETE TRACK CONTROL ARM - LOWER</i>	5)	
0781827	3521E8	BRACCIO OSCILLANTE - SENZA SNODO <i>TRACK CONTROL ARM - WITHOUT BALL JOINT</i>	6)	
0791796	-	BRACCIO OSCILLANTE - CON SNODO <i>COMPLETE TRACK CONTROL ARM</i>	4)	
0791797	-	BRACCIO OSCILLANTE COMPLETO - INFERIORE <i>COMPLETE TRACK CONTROL ARM - LOWER</i>	5)	
0791827	3520H8	BRACCIO OSCILLANTE - SENZA SNODO <i>TRACK CONTROL ARM - WITHOUT BALL JOINT</i>	6)	
1215144	352375	SILENTBLOCK ESTREMO <i>OUTER BUSHING</i>		
1215145	96110483	SILENTBLOCK CENTRALE <i>CENTRAL BUSHING</i>		

DESTRO
RIGHT

 SINISTRO
LEFT

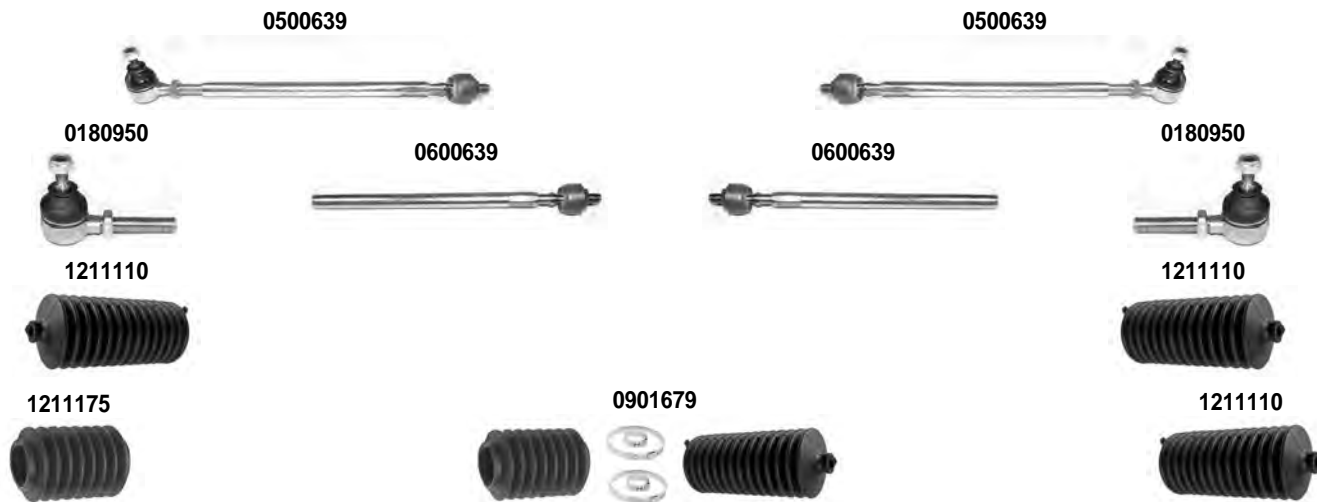
ZX

1991 >

Asse Anteriore



Front Axle



i 1) STERZO MANUALE - MANUAL STEERING			2) SERVOSTERZO - POWER STEERING	
OCAP	O.E.		i	
0180950	9471000965	TESTA STERZO TIE ROD END		RHT M14x1,5
0500639	3812E4 *	BARRA STERZO TIE ROD		
0600639	3812E4	SNODO ASSIALE AXIAL JOINT		RHT M14x1,5
0901679	91510864 *	KIT CUFFIE STERZO STEERING GAITER KIT	2)	
1211110	406620	CUFFIA STERZO STEERING GAITER	1)	
1211175	91510864	CUFFIA STERZO STEERING GAITER	2)	

ZX

DESTRO
RIGHT



SINISTRO
LEFT

ZX	1991 >
----	--------

Asse Anteriore



Front Axle



i 1) STERZO MANUALE - MANUAL STEERING	2) SERVOSTERZO - POWER STEERING
--	---------------------------------

OCAP	O.E.		i	
0400641	96087507	SNODO SOSPENSIONE - INFERIORE BALL JOINT - LOWER	1)	
0400642	364042	SNODO SOSPENSIONE - INFERIORE BALL JOINT - LOWER	2)	
0780072	3521A8	BRACCIO OSCILLANTE CON SNODO TRACK CONTROL ARM WITH BALL JOINT	1)	
0780073	3521A7	BRACCIO OSCILLANTE CON SNODO TRACK CONTROL ARM WITH BALL JOINT	2)	
0790072	3520F8	BRACCIO OSCILLANTE CON SNODO TRACK CONTROL ARM WITH BALL JOINT	1)	
0790073	3520F7	BRACCIO OSCILLANTE CON SNODO TRACK CONTROL ARM WITH BALL JOINT	2)	
1215144	352375	SILENTBLOCK ESTREMO OUTER BUSHING		
1215145	96110483	SILENTBLOCK CENTRALE CENTRAL BUSHING		

DESTRO
RIGHT

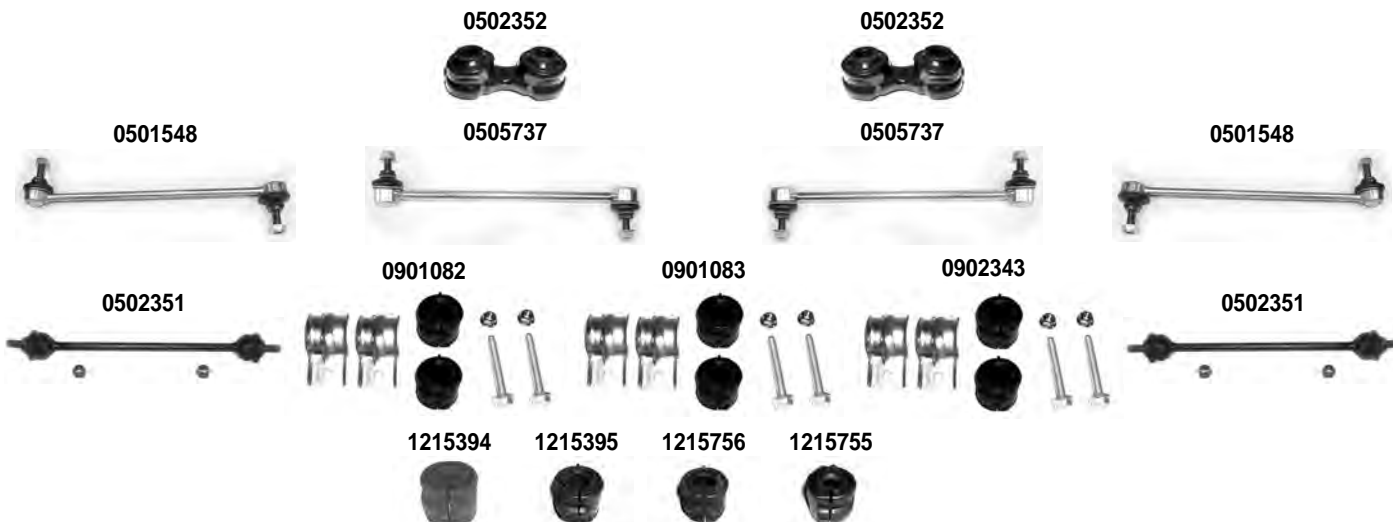
 SINISTRO
LEFT

ZX		1991 >
----	--	--------

Asse Anteriore



Front Axle



i	3) TUTTI I MODELLI - FINO A OPR > 05683 - ECCETTO MOTORE 1.9 (XU9JA) - ALL MODEL - TO OPR > 05683 - EXCEPT ENGINE 1.9 (XU9JA)	4) TUTTI I MODELLI DA OPR 05683 > - ECCETTO MOTORE 1.9 (XU9JA) - ALL MODEL FROM OPR 05683 > - EXCEPT ENGINE 1.9 (XU9JA)
	5) VERSIONE RINFORZATA - REINFORCED VERSION	6) SOLO PER MOTORE 1.9 (XU9JA) - ONLY FOR ENGINE 1.9 (XU9JA)

OCAP	O.E.		i	
0501548	508746	STABILIZZATORE STABILIZER LINK	4)	
0502351	96111480	STABILIZZATORE STABILIZER LINK	6)	
0502352	96052007	STABILIZZATORE STABILIZER LINK	3)	
0505737	508746 *	STABILIZZATORE STABILIZER LINK	5)	
0901082	-	KIT BARRA STABILIZZATRICE KIT FOR STABILIZING BAR		DIAM. 19 mm.
0901083	-	KIT BARRA STABILIZZATRICE KIT FOR STABILIZING BAR		DIAM. 21 mm.
0902343	-	KIT BARRA STABILIZZATRICE KIT FOR STABILIZING BAR		DIAM. 24 mm.
1215394	509466	BOCCOLA BARRA STABILIZZATRICE STABILIZING BAR BUSHING		DIAM. 19 mm.
1215395	509465	BOCCOLA BARRA STABILIZZATRICE STABILIZING BAR BUSHING		DIAM. 21 mm.
1215755	96158745	BOCCOLA BARRA STABILIZZATRICE STABILIZING BAR BUSHING		DIAM. 18 mm.
1215756	96051398	BOCCOLA BARRA STABILIZZATRICE STABILIZING BAR BUSHING		DIAM. 24 mm.

DESTRO
RIGHT



SINISTRO
LEFT

DOKKER
DOKKER EXPRESS
LODGY

11/2012 >
12/2012 >
03/2012 >

Asse Anteriore



Front Axle



OCAP	O.E.			
0282450	6001550443	TESTA STERZO TIE ROD END		RHT M14x1,5
0292450	6001547610	TESTA STERZO TIE ROD END		RHT M14x1,5
0408099	545004529R *	SNODO SOSPENSIONE - INFERIORE BALL JOINT - LOWER		
0608099	485213172R	SNODO ASSIALE AXIAL JOINT		RHT M14x1,5
0788099	545001064R	BRACCIO OSCILLANTE - INFERIORE TRACK CONTROL ARM - LOWER		
0798099	545017081R	BRACCIO OSCILLANTE - INFERIORE TRACK CONTROL ARM - LOWER		
0902453	8200277960	STABILIZZATORE STABILIZER LINK		
0908099	485213172R *	KIT CUFFIA STERZO STEERING GAITER KIT		RHT M14x1,5
1215800	6040002245	SILENTBLOCK BUSHING		

DESTRO
RIGHT



SINISTRO
LEFT

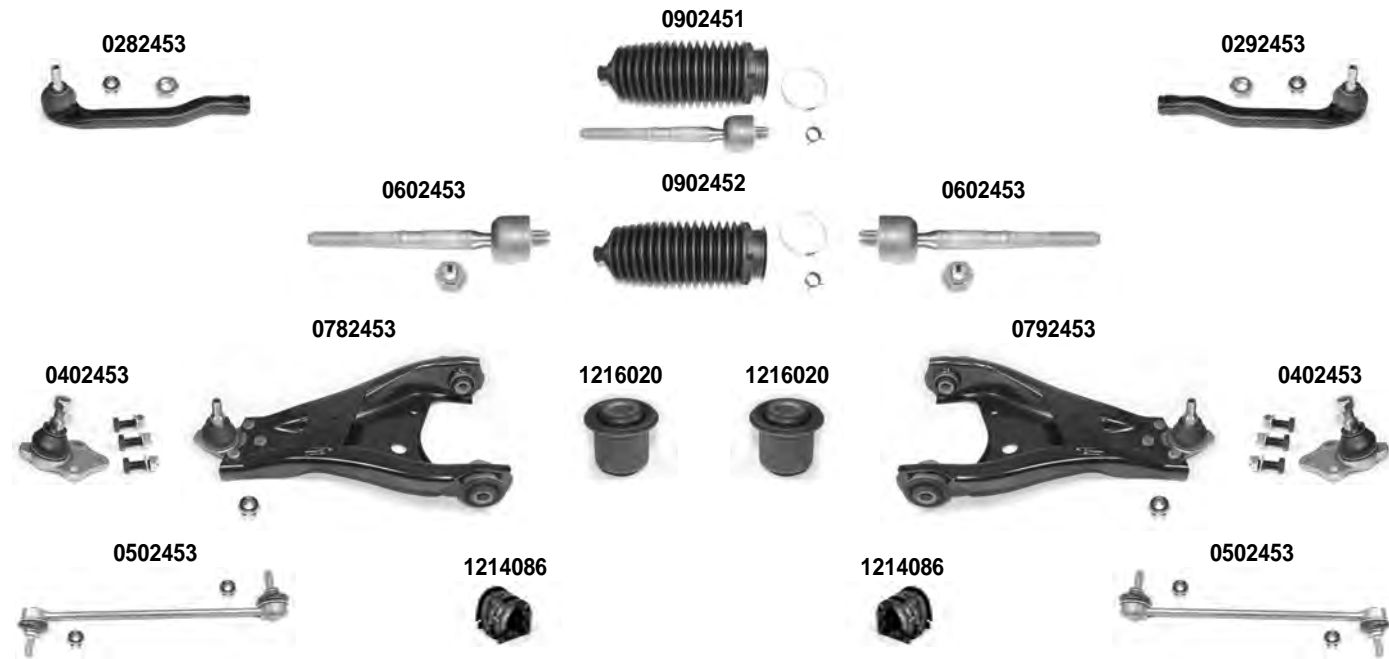
DUSTER

04/2010 >

Asse Anteriore



Front Axle



Asse Posteriore



Rear Axle

1216021



1216021



OCAP	O.E.		
0282453	8201108332	TESTA STERZO TIE ROD END	RHT M14x1,5
0292453	8201108339	TESTA STERZO TIE ROD END	RHT M14x1,5
0402453	401602308R	SNODO SOSPENSIONE - INFERIORE BALL JOINT - LOWER	
0502453	546180001R	STABILIZZATORE STABILIZER LINK	
0602453	8201108350 *	SNODO ASSIALE AXIAL JOINT	RHT M14x1,5
0782453	545006542R	BRACCIO OSCILLANTE - INFERIORE TRACK CONTROL ARM - LOWER	
0792453	545016746R	BRACCIO OSCILLANTE - INFERIORE TRACK CONTROL ARM - LOWER	
0902451	8201108350	KIT SNODO ASSIALE AXIAL JOINT KIT	
0902452	8201108358	KIT CUFFIA STERZO STEERING GAITER KIT	
1214086	8200852550	GOMMINO BARRA STABILIZZATRICE STABILIZING BAR BUSHING	DIAM. 18 mm.
1216020	545006542R *	SILENTBLOCK BUSHING	
1216021	6001549988	SILENTBLOCK BUSHING	

DESTRO
RIGHT



SINISTRO
LEFT

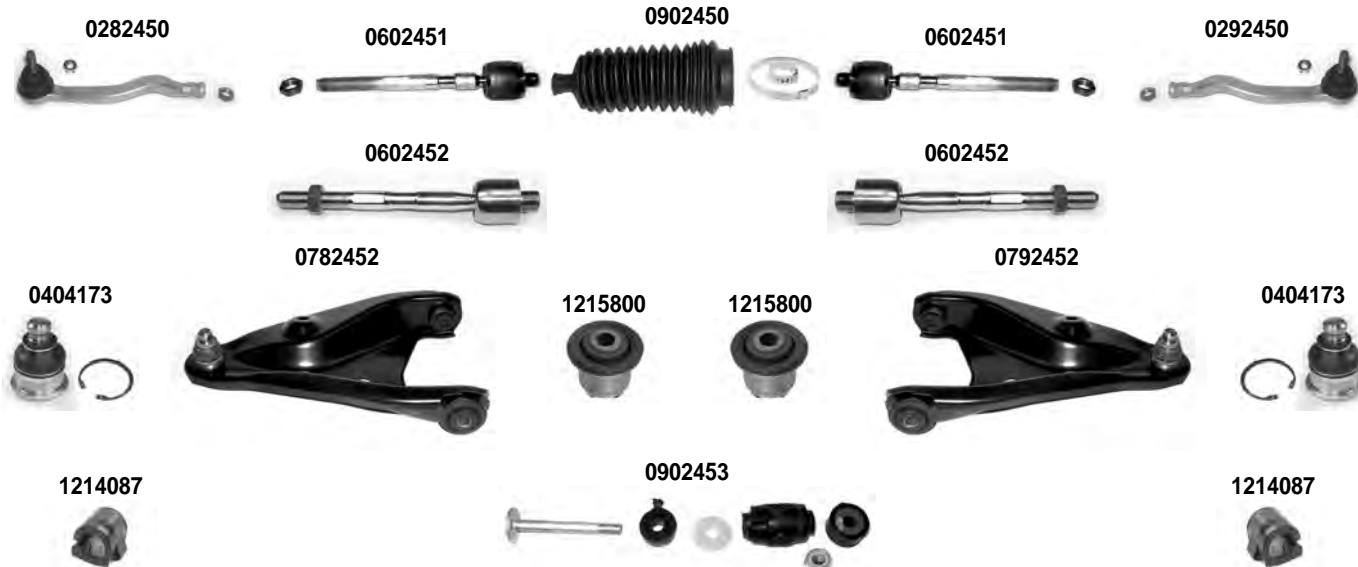
LOGAN
LOGAN MCV
SANDERO

2004 > 2012
02/2007 > 2013
2008 > 2013

Asse Anteriore



Front Axle



Asse Posteriore



Rear Axle



i 1)SOLO PER - ONLY FOR: MOD. LOGAN 16V - TRW - BRASILE - BRASIL

OCAP	O.E.		i	
0282450	6001550443	TESTA STERZO TIE ROD END		RHT M14x1,5
0292450	6001547610	TESTA STERZO TIE ROD END		RHT M14x1,5
0404173	401604793R	SNODO SOSPENSIONE BALL JOINT		
0602451	6001550441	SNODO ASSIALE AXIAL JOINT		RHT M14x1,5
0602452	-	SNODO ASSIALE AXIAL JOINT	1)	RHT M14x1,5
0782452	545004269R	BRACCIO OSCILLANTE TRACK CONTROL ARM		
0792452	545011362R	BRACCIO OSCILLANTE TRACK CONTROL ARM		
0902450	6001547607	KIT CUFFIA STERZO STEERING GAITER KIT		
0902453	8200277960	STABILIZZATORE STABILIZER LINK		
1214087	6001547140	GOMMINO BARRA STABILIZZATRICE STABILIZING BAR BUSHING		
1215800	6040002245	SILENTBLOCK BUSHING		
1216021	6001549988	SILENTBLOCK BUSHING		

DESTRO
RIGHT

 SINISTRO
LEFT

 LOGAN
LOGAN MCV
SANDERO

 10/2012 >
02/2013 >
01/2013 >

Asse Anteriore



Front Axle



OCAP	O.E.		i	
0282450	6001550443	TESTA STERZO TIE ROD END		RHT M14x1,5
0292450	6001547610	TESTA STERZO TIE ROD END		RHT M14x1,5
0408099	545004529R *	SNODO SOSPENSIONE - INFERIORE BALL JOINT - LOWER		
0608099	485213172R	SNODO ASSIALE AXIAL JOINT		RHT M14x1,5
0788099	545001064R	BRACCIO OSCILLANTE - INFERIORE TRACK CONTROL ARM - LOWER		
0798099	545017081R	BRACCIO OSCILLANTE - INFERIORE TRACK CONTROL ARM - LOWER		
0902453	8200277960	STABILIZZATORE STABILIZER LINK		
0908099	485213172R *	KIT CUFFIA STERZO STEERING GAITER KIT		RHT M14x1,5
1215800	6040002245	SILENTBLOCK BUSHING		

APPLAUSE I

DESTRO
RIGHT



SINISTRO
LEFT

APPLAUSE I
APPLAUSE II

A101-A111
A101

1989 > 1997
1997 > 2000

Asse Anteriore





Front Axle

0283307



0293307



OCAP	O.E.		i	
0283307	45046-87784	TESTA STERZO - ESTERNA TIE ROD END - OUTER		RHT M12x1,25
0293307	45047-87784	TESTA STERZO - ESTERNA TIE ROD END - OUTER		RHT M12x1,25

DESTRO
RIGHT



SINISTRO
LEFT

CHARADE I

G10

1977 > 1981

Asse Anteriore



Front Axle

0283303



0603317



0603317



0283303



0783324



0793324



OCAP	O.E.		
0283303	45046-87701	TESTA STERZO TIE ROD END	RHT M12x1,25
0603317	45503-87702	SNODO ASSIALE AXIAL JOINT	RHT M12x1,25
0783324	48068-87704	BRACCIO OSCILLANTE - INFERIORE TRACK CONTROL ARM - LOWER	
0793324	48069-87704	BRACCIO OSCILLANTE - INFERIORE TRACK CONTROL ARM - LOWER	

DESTRO
RIGHT



SINISTRO
LEFT

CHARADE II	G11-G26-G30	1983 > 1987
-------------------	-------------	-------------

Asse Anteriore



Front Axle



OCAP	O.E.			
0383306	48068-87705	BRACCIO OSCILLANTE - INFERIORE TRACK CONTROL ARM - LOWER		
0393306	48069-87705	BRACCIO OSCILLANTE - INFERIORE TRACK CONTROL ARM - LOWER		
0603305	45503-87703	SNODO ASSIALE AXIAL JOINT		RHT M12x1,25

DESTRO
RIGHT

 SINISTRO
LEFT

CHARADE III
CHARADE IV

 G100-G101-G102-G112
G200-G201-G203-G213

 1987 > 1993
1993 >

Asse Anteriore



Front Axle

0283307

0293307

0603308

0603308

0602955

0602955

0602444

0602444

0383325

0393325


i	1) STERZO MANUALE - MANUAL STEERING: > 1988	2) STERZO MANUALE - MANUAL STEERING: 1989 >
	3) SERVOSTERZO - SOLO CHARADE IV - POWER STEERING - ONLY CHARADE IV	4) > 1993

OCAP	O.E.		i	
0283307	45046-87784	TESTA STERZO <i>TIE ROD END</i>		RHT M12x1,25
0293307	45047-87784	TESTA STERZO <i>TIE ROD END</i>		RHT M12x1,25
0383325	48068-87706	BRACCIO OSCILLANTE - INFERIORE <i>TRACK CONTROL ARM - LOWER</i>	4)	
0393325	48069-87706	BRACCIO OSCILLANTE - INFERIORE <i>TRACK CONTROL ARM - LOWER</i>	4)	
0602444	45503-87710	SNODO ASSIALE <i>AXIAL JOINT</i>	3)	RHT M12x1,25
0602955	45503-87708	SNODO ASSIALE <i>AXIAL JOINT</i>	2)	RHT M12x1,25
0603308	45503-87705	SNODO ASSIALE <i>AXIAL JOINT</i>	1)	RHT M12x1,25

DESTRO
RIGHT



SINISTRO
LEFT

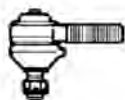
CHARMANT	A10-A20-A30-A40-A45	1974 > 1983
----------	---------------------	-------------

Asse Anteriore



Front Axle

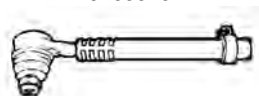
0193312



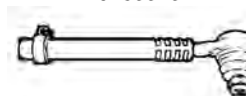
0193312






0283313



0283313



OCAP	O.E.			
0193312	45046-19065	TESTA STERZO TIE ROD END		LHT M14x1,5
0283313	45460-19135	TESTA STERZO TIE ROD END		

DESTRO
RIGHT



SINISTRO
LEFT

CHARMANT

A35-A55-A60

1981 >

Asse Anteriore



Front Axle

0283658



0283658






0400963



0400963



OCAP	O.E.			
0283658	45460-19125	TESTA STERZO TIE ROD END		
0400963	43308-12030	SNODO SOSPENSIONE - INFERIORE SUSPENSION JOINT - LOWER		

DESTRO
RIGHT



SINISTRO
LEFT

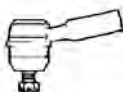
CUORE I	L40-L55-L60	1977 > 1985
---------	-------------	-------------

Asse Anteriore

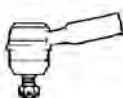


Front Axle

0283309



0283310



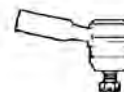
0783326



0793326



0283309



0283310



i 1) SERIE - SERIES: L40-L45 - > 1980	2) SERIE - SERIES: L55-L56-L55V-L56V - 1980 > 1985
--	--

OCAP	O.E.		i	
0283309	45046-87203	TESTA STERZO - ESTERNA TIE ROD END - OUTER	1)	RHT M12x1,5
0283310	45046-87280	TESTA STERZO - ESTERNA TIE ROD END - OUTER	2)	RHT M12x1,5
0783326	48068-87205	BRACCIO OSCILLANTE - INFERIORE TRACK CONTROL ARM - LOWER		
0793326	48069-87205	BRACCIO OSCILLANTE - INFERIORE TRACK CONTROL ARM - LOWER		

DESTRO
RIGHT



SINISTRO
LEFT

CUORE II
CUORE III

L80
L201

1985 > 1990
1990 > 1994

Asse Anteriore



Front Axle



i 1) SOLO PER - ONLY FOR: MOD. CUORE III

OCAP	O.E.		i	
0303328	48068-87208	BRACCIO OSCILLANTE - INFERIORE TRACK CONTROL ARM - LOWER	1)	
0602466	45503-87215	SNODO ASSIALE AXIAL JOINT		

DESTRO
RIGHT



SINISTRO
LEFT

CUORE IV
MOVE

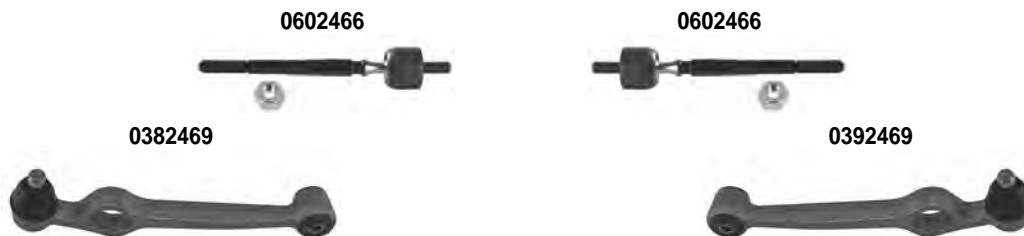
L501
L6 - L9

1995 > 1996
1996 >

Asse Anteriore



Front Axle



Asse Posteriore



Rear Axle



i 1) SOLO PER - ONLY FOR: MOD. MOVE

OCAP	O.E.		i	
0382469	48068-87209	BRACCIO OSCILLANTE INFERIORE TRACK CONTROL ARM LOWER		
0392469	48069-87209	BRACCIO OSCILLANTE INFERIORE TRACK CONTROL ARM LOWER		
0502448	48802-87703	STABILIZZATORE STABILIZER LINK REAR	1)	
0602466	45503-87215	SNODO ASSIALE AXIAL JOINT	1)	

DESTRO
RIGHT



SINISTRO
LEFT

CUORE V
CUORE VI
CUORE VII

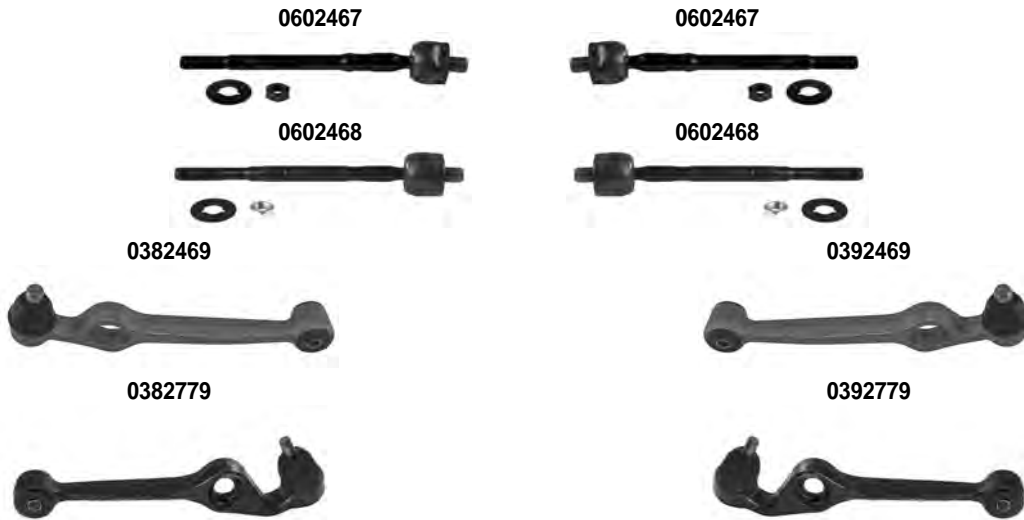
L5
L7
L251

1996 > 1998
10/1998 > 05/2003
03/2003 >

Asse Anteriore



Front Axle



i	1) STERZO MANUALE - MANUAL STEERING	2) SERVOSTERZO - POWER STEERING
	3) SOLO PER - ONLY FOR: MOD. CUORE V	4) SOLO PER - ONLY FOR: MOD. CUORE VI - VII

OCAP	O.E.		i	
0382469	48068-87209	BRACCIO OSCILLANTE - INFERIORE TRACK CONTROL ARM - LOWER	3)	
0382779	48068-97202	BRACCIO OSCILLANTE - INFERIORE TRACK CONTROL ARM - LOWER	4)	
0392469	48069-87209	BRACCIO OSCILLANTE - INFERIORE TRACK CONTROL ARM - LOWER	3)	
0392779	48069-97202	BRACCIO OSCILLANTE - INFERIORE TRACK CONTROL ARM - LOWER	4)	
0602467	45503-97203	SNODO ASSIALE AXIAL JOINT	1)	RHT M14x1,5
0602468	45503-97204	SNODO ASSIALE AXIAL JOINT	2)	RHT M14x1,5

DESTRO
RIGHT



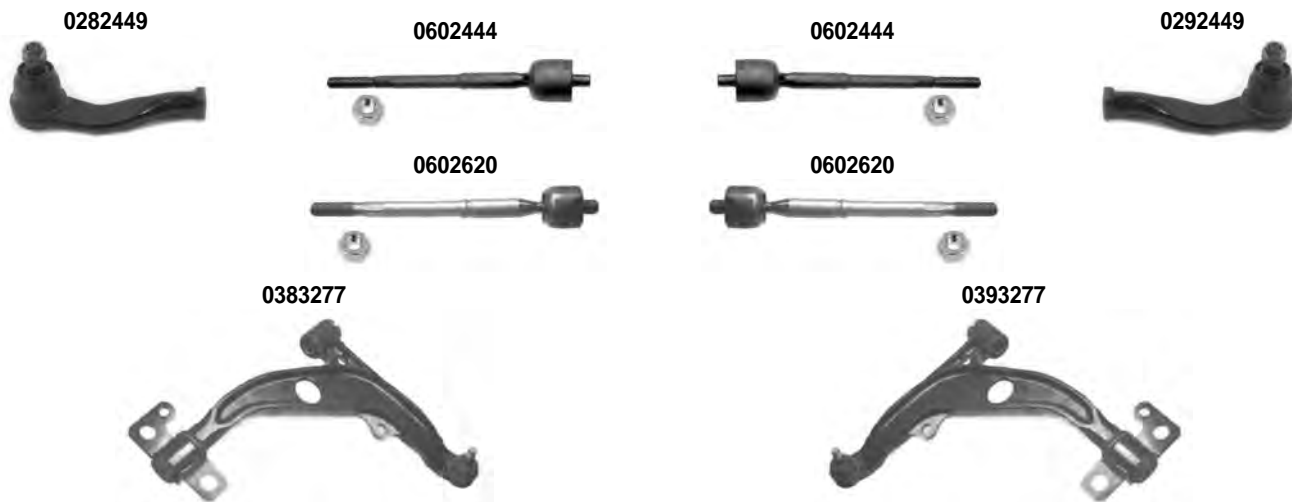
SINISTRO
LEFT

GRAN MOVE 1,5 16V GRAN MOVE 1.6 16V	G 303 G 301	1996 > 1998 1998 >
--	----------------	-----------------------

Asse Anteriore



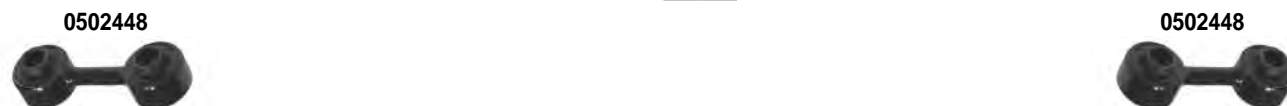
Front Axle



Asse Posteriore



Rear Axle



i 1) SERVOSTERZO - POWER STEERING: MOD. 1,5 16V	2) MOD. 1.6 16V
--	-----------------

OCAP	O.E.		i	
0282449	45046-87707	TESTA STERZO TIE ROD END		RHT M12x1,25
0292449	45047-87706	TESTA STERZO TIE ROD END		RHT M12x1,25
0383277	48068-87711	BRACCIO OSCILLANTE TRACK CONTROL ARM		
0393277	48068-87710	BRACCIO OSCILLANTE TRACK CONTROL ARM		
0502448	48802-87703	STABILIZZATORE STABILIZER LINK		
0602444	45503-87710	SNODO ASSIALE AXIAL JOINT	1)	RHT M12x1,25
0602620	45503-87714	SNODO ASSIALE AXIAL JOINT	2)	RHT M12x1,25

DESTRO
RIGHT

 SINISTRO
LEFT

HIJET

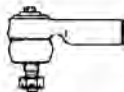
S37-L37-S38-S40-S60-S10-S70

1968 > 1985

Asse Anteriore



Front Axle

0283311

0293311

0483318

0493318

0483319

0493319

0483320

0493320


i 1) SOLO PER SERIE - ONLY FOR SERIE: S37-L37-S38-S40 - > 1976 2) SOLO PER SERIE - ONLY FOR SERIE: S38-S40-S60 - 1976 > 1981

OCAP	O.E.		i	
0283311	45047-87502	TESTA STERZO - INTERNA - ESTERNA TIE ROD END - INNER - OUTER		RHT M14x1,5
0293311	45057-87502	TESTA STERZO - INTERNA - ESTERNA TIE ROD END - INNER - OUTER		RHT M14x1,5
0483318	43350-87501	SNODO SOSPENSIONE - SUPERIORE BALL JOINT - UPPER		
0483319	43330-87501	SNODO SOSPENSIONE - INFERIORE BALL JOINT - LOWER	1)	
0483320	43330-87581	SNODO SOSPENSIONE - INFERIORE BALL JOINT - LOWER	2)	
0493318	43360-87501	SNODO SOSPENSIONE - SUPERIORE BALL JOINT - UPPER		
0493319	43340-87501	SNODO SOSPENSIONE - INFERIORE BALL JOINT - LOWER	1)	
0493320	43340-87581	SNODO SOSPENSIONE - INFERIORE BALL JOINT - LOWER	2)	

DESTRO
RIGHT



SINISTRO
LEFT

HIJET I HIJET II	Autobus - Furgonato S 85	1986 > 1989 1992 >
---------------------	-----------------------------	-----------------------

Asse Anteriore



Front Axle

0283321



0503321



0293321



0783327



0793327



i 1) > 04/1995

OCAP	O.E.		i	
0283321	45046-87580	TESTA STERZO TIE ROD END	1)	RHT M14x1,5
0293321	45047-87580	TESTA STERZO TIE ROD END	1)	LHT M14x1,5
0503321	45460-87587	BARRA STERZO TIE ROD	1)	
0783327	48068-87507	BRACCIO OSCILLANTE - INFERIORE TRACK CONTROL ARM - LOWER		
0793327	48069-87507	BRACCIO OSCILLANTE - INFERIORE TRACK CONTROL ARM - LOWER		

DESTRO
RIGHT



SINISTRO
LEFT

ROCKY - RUGGER

F7 - F8

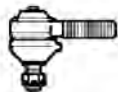
1985 > 1993

Asse Anteriore

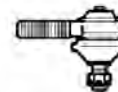


Front Axle

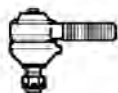
0193323



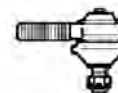
0193323



0183323



0183323



i 1) L H D		2) R H D		
OCAP	O.E.		i	
0183323	45046-87680	TESTA STERZO TIE ROD END	2)	RHT M20x1,5
0193323	45047-87380	TESTA STERZO TIE ROD END	1)	LHT M20x1,5

DESTRO
RIGHT



SINISTRO
LEFT

SIRION	M1	1998 > 2005
--------	----	-------------

Asse Anteriore



Front Axle



i 1) SOLO PER ONLY FOR: MOD. 1.0 4WD - 1.3 SPORT 4WD

OCAP	O.E.			
0282449	45046-87707	TESTA STERZO - ESTERNA TIE ROD END - OUTER		RHT M12x1,25
0292449	45047-87706	TESTA STERZO - ESTERNA TIE ROD END - OUTER		RHT M12x1,25
0602455	45503-97201	SNODO ASSIALE AXIAL JOINT	1)	RHT M12x1,25
0602456	45503-97401	SNODO ASSIALE AXIAL JOINT		RHT M12x1,25

DESTRO
RIGHT



SINISTRO
LEFT

SIRION

M3

2005 >

Asse Anteriore



Front Axle



OCAP	O.E.		
0282449	45046-87707	TESTA STERZO - ESTERNA TIE ROD END - OUTER	RHT M12x1,25
0292449	45047-87706	TESTA STERZO - ESTERNA TIE ROD END - OUTER	RHT M12x1,25
0582457	48821-B1010	STABILIZZATORE STABILIZER LINK	
0592457	48831-B1010	STABILIZZATORE STABILIZER LINK	
0602780	45503-B1020	SNODO ASSIALE AXIAL JOINT	RHT M12x1,25
0782781	48068-B1020	BRACCIO OSCILLANTE TRACK CONTROL ARM	
0792781	48069-B1020	BRACCIO OSCILLANTE TRACK CONTROL ARM	
1216274	48654-B2010	SILENTBLOCK CENTRALE CENTRAL BUSHING	
1216275	48655-B1010	SILENTBLOCK ESTREMO OUTER BUSHING	

DESTRO
RIGHT



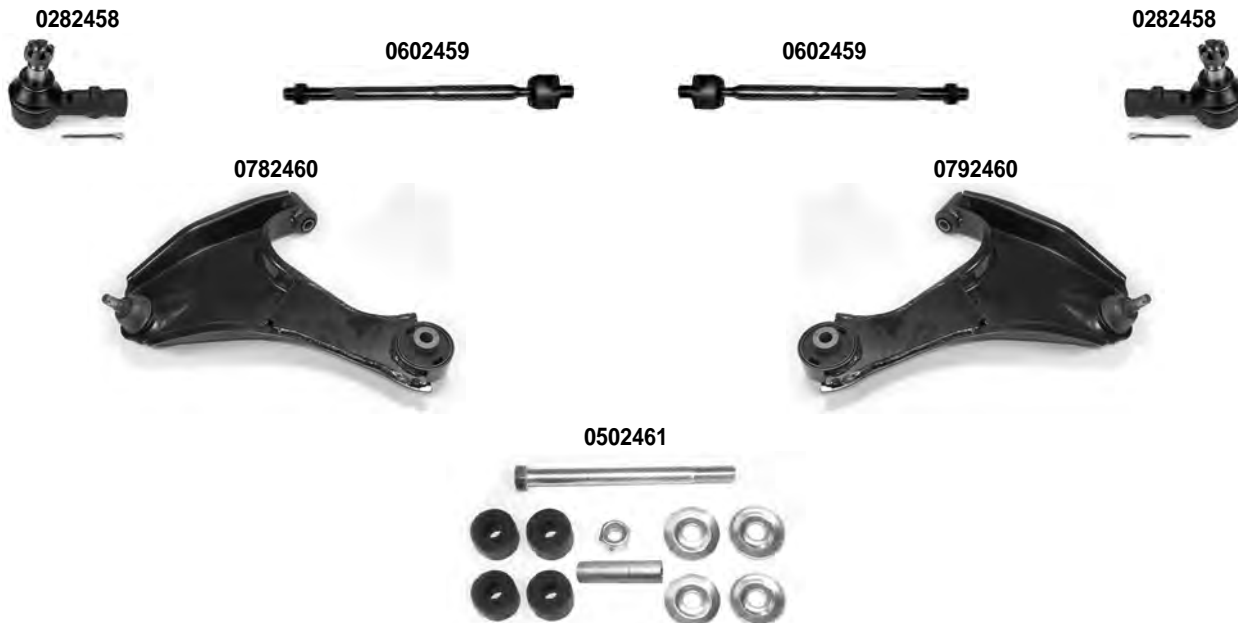
SINISTRO
LEFT

TERIOS	J1	05/1997 > 10/2005
--------	----	-------------------

Asse Anteriore



Front Axle



OCAP	O.E.		
0282458	45046-87402	TESTA STERZO - ESTERNA TIE ROD END - OUTER	RHT M14x1,5
0502461	48822-87401	STABILIZZATORE STABILIZER LINK	
0602459	45503-87401	SNODO ASSIALE AXIAL JOINT	RHT M14x1,5
0782460	43068-87401	BRACCIO OSCILLANTE - INFERIORE TRACK CONTROL ARM - LOWER	
0792460	43069-87401	BRACCIO OSCILLANTE - INFERIORE TRACK CONTROL ARM - LOWER	

DESTRO
RIGHT



SINISTRO
LEFT

TERIOS

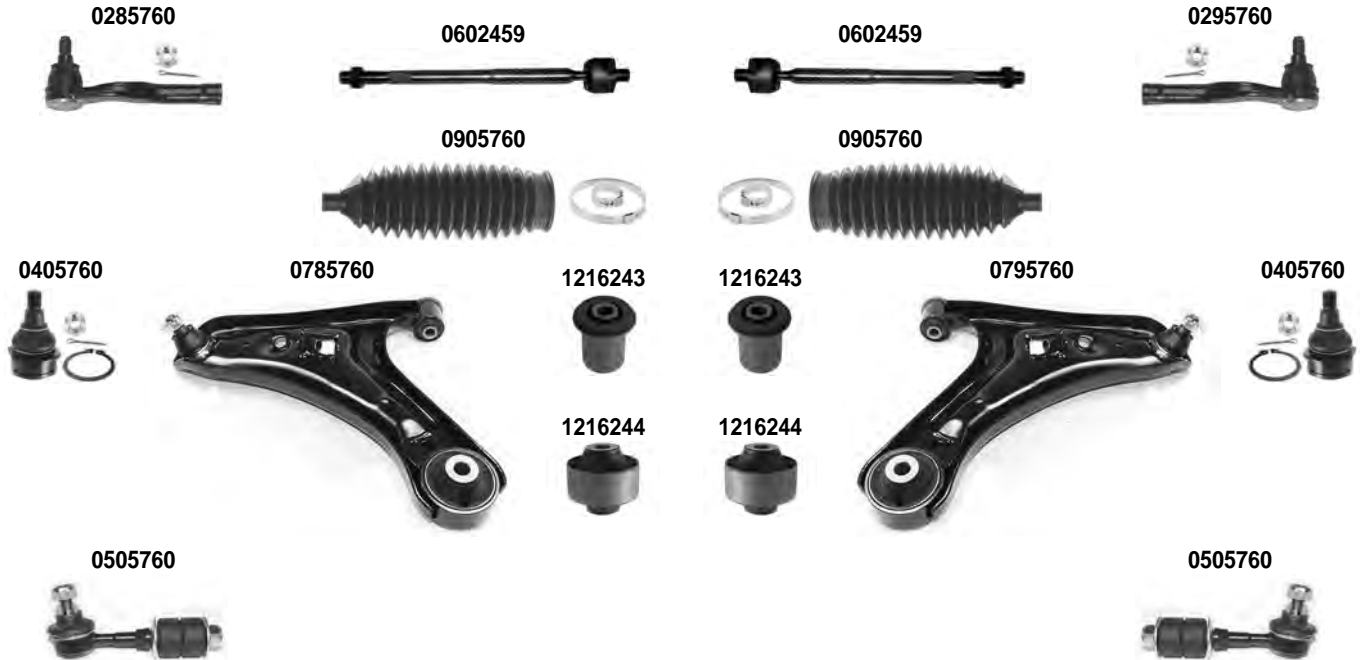
J2

11/2005 >

Asse Anteriore



Front Axle



i 1) 01/2006 >

OCAP	O.E.		i	
0285760	45046-B9080	TESTA STERZO TIE ROD END	1)	RHT M14x1,5
0295760	45047-B9070	TESTA STERZO TIE ROD END	1)	RHT M14x1,5
0405760	48068-B4011 *	SNODO SOSPENSIONE - INFERIORE BALL JOINT - LOWER	1)	
0505760	48822-97503	STABILIZZATORE STABILIZER LINK	1)	
0602459	45503-87401	SNODO ASSIALE AXIAL JOINT	1)	RHT M14x1,5
0785760	48068-B4011	BRACCIO OSCILLANTE - INFERIORE TRACK CONTROL ARM - LOWER	1)	
0795760	48069-B4011	BRACCIO OSCILLANTE - INFERIORE TRACK CONTROL ARM - LOWER	1)	
0905760	45535-87401	KIT CUFFIA STERZO STEERING BOOT KIT	1)	
1216243	48069-B4011 *	SILENTBLOCK BUSHING	1)	
1216244	48068-B4010 *	SILENTBLOCK BUSHING	1)	

DESTRO
RIGHT



SINISTRO
LEFT

328-348-MONDIAL-412-TESTA ROSSA
F355-456-F512-F50

Asse Anteriore



Front Axle

0283899



0283899



0405009



0405014



0405014



0405009



0405010



0405012



0405011



0405011



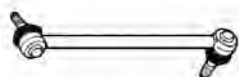
0405012



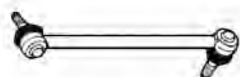
0405010



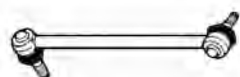
0585006



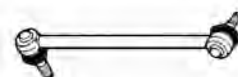
0585007



0595007



0595006



0585008



0595008



i 1) VECCHIO MODELLO - OLD MODEL	2) NUOVO MODELLO - NEW MODEL
---	------------------------------

OCAP	O.E.		i	
0283899	103592	TESTA STERZO - ECCETTO F50 TIE ROD END - EXCEPT F50		
0405009	116280	SNODO SOSPENSIONE - SUPERIORE BALL JOINT - UPPER	1)	
0405010	133944	SNODO SOSPENSIONE - INFERIORE BALL JOINT - LOWER	1)	DIAM. 18 mm.
0405011	502165	SNODO SOSPENSIONE BALL JOINT		
0405012	589122	SNODO SOSPENSIONE - INFERIORE BALL JOINT - LOWER	2)	
0405014	132776	SNODO SOSPENSIONE - SUPERIORE BALL JOINT - UPPER	2)	
0585006	503509	STABILIZZATORE STABILIZER LINK		
0585007	505051	STABILIZZATORE STABILIZER LINK		
0585008	505800	STABILIZZATORE STABILIZER LINK		
0595006	503508	STABILIZZATORE STABILIZER LINK		
0595007	505050	STABILIZZATORE STABILIZER LINK		
0595008	505799	STABILIZZATORE STABILIZER LINK		

DESTRO
RIGHT



SINISTRO
LEFT

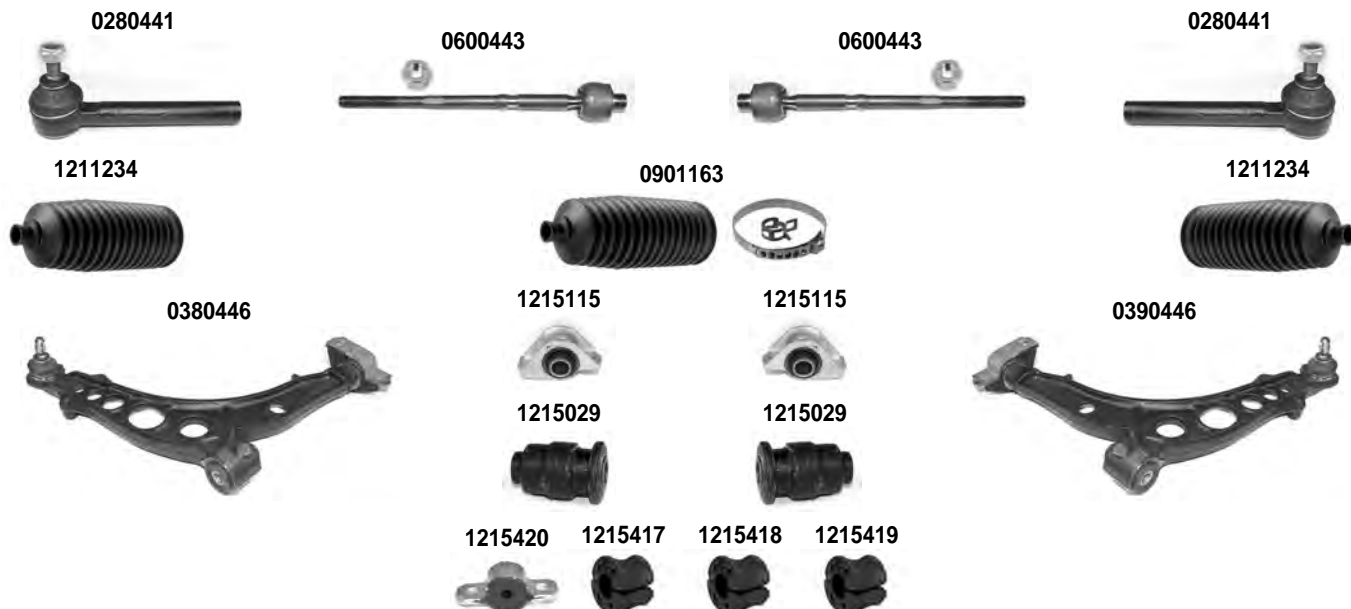
BARCETTA

1995 >

Asse Anteriore



Front Axle



i 1) SERVOSTERZO - POWER STEERING

OCAP	O.E.		i	
0280441	9946949	TESTA STERZO TIE ROD END		RHT M12x1,5
0380446	46430003	BRACCIO OSCILLANTE TRACK CONTROL ARM		
0390446	46430002	BRACCIO OSCILLANTE TRACK CONTROL ARM		
0600443	9945562	SNODO ASSIALE AXIAL JOINT	1)	RHT M12x1,5
0901163	9945564	KIT CUFFIE STERZO STEERING GAITER KIT	1)	
1211234	9945564 *	CUFFIA STERZO STEERING GAITER	1)	
1215029	7673581	SILENTBLOCK CENTRALE CENTRAL BUSHING		
1215115	-	SILENTBLOCK ESTREMO OUTER BUSHING		
1215417	7780450	BOCCOLA BARRA STABILIZZATRICE STABILIZING BAR BUSHING		DIAM. 19 mm.
1215418	7750982	BOCCOLA BARRA STABILIZZATRICE STABILIZING BAR BUSHING		DIAM. 21 mm.
1215419	7750983	BOCCOLA BARRA STABILIZZATRICE STABILIZING BAR BUSHING		DIAM. 22 mm.
1215420	7750990	SUPPORTO BARRA STABILIZZATRICE STABILIZING BAR SUPPORT		DIAM. 10 mm.

DESTRO
RIGHT



SINISTRO
LEFT

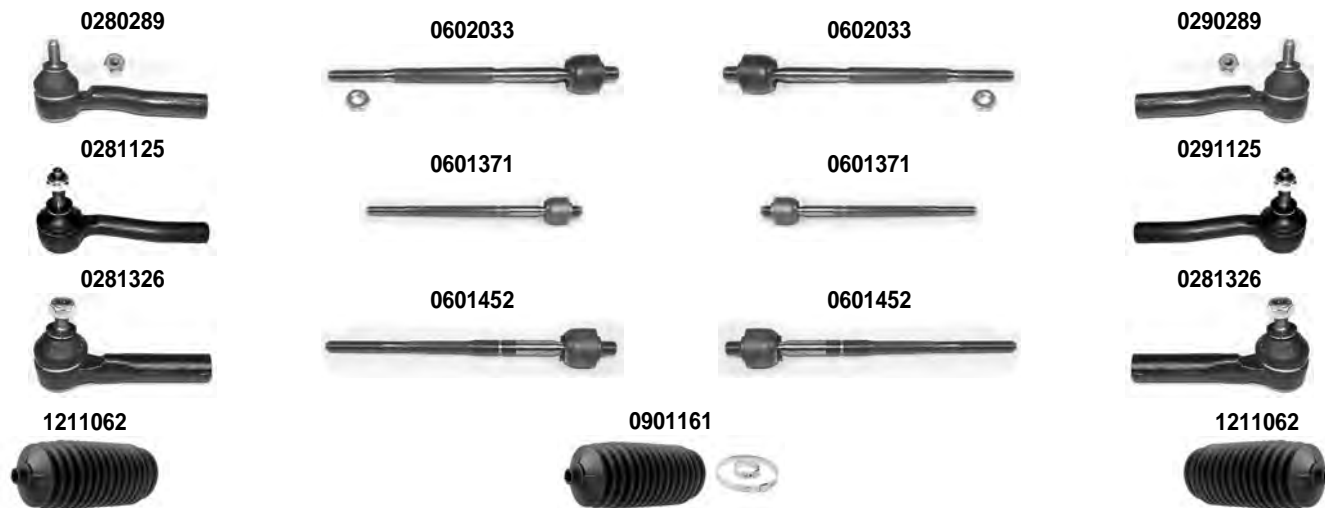
BRAVO - BRAVA

1995 > 2001

Asse Anteriore



Front Axle



i 1) MOD. 2.0
3) SOLO PER - ONLY FOR: MOD. BRAVO 2.0 20V PACK SPORT

2) SOLO PER - ONLY FOR: MOD: BRAVO 2.0 20V SUD-AMERICA BRAVA 1.6 16V EM-04

OCAP	O.E.		i	
0280289	9947438	TESTA STERZO TIE ROD END		RHT M12x1,5
0281125	9947441	TESTA STERZO TIE ROD END	1)	RHT M12x1,5
0281326	9947719	TESTA STERZO TIE ROD END	2)	RHT M14x1,5
0290289	9947437	TESTA STERZO TIE ROD END		RHT M12x1,5
0291125	9947440	TESTA STERZO TIE ROD END	1)	RHT M12x1,5
0601371	9947371	SNODO ASSIALE AXIAL JOINT	2)	RHT M14x1,5
0601452	9948263	SNODO ASSIALE AXIAL JOINT	3)	RHT M12x1,5
0602033	9941625	SNODO ASSIALE AXIAL JOINT		RHT M12x1,5
0901161	9941582	KIT CUFFIE STERZO STEERING GAITER KIT		
1211062	7645160	CUFFIA STERZO STEERING GAITER		

DESTRO
RIGHT



SINISTRO
LEFT

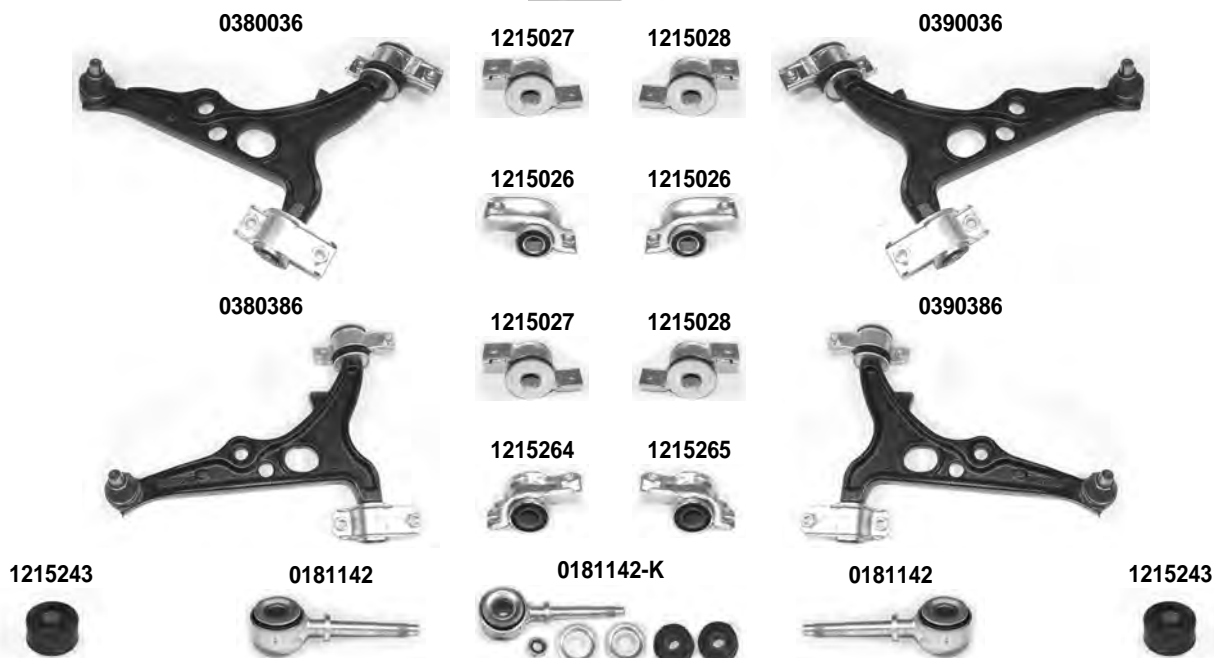
BRAVO - BRAVA

1995 > 2001

Asse Anteriore



Front Axle



i 1) MOD. 2.0

OCAP	O.E.		i	
0181142	60570627	PUNTONE BARRA STABILIZZATRICE STABILIZER LINK		
0380036	7777240	BRACCIO OSCILLANTE TRACK CONTROL ARM		DIAM. 17 mm.
0380386	46474557	BRACCIO OSCILLANTE TRACK CONTROL ARM	1)	DIAM. 17 mm.
0390036	7777239	BRACCIO OSCILLANTE TRACK CONTROL ARM		DIAM. 17 mm.
0390386	46474556	BRACCIO OSCILLANTE TRACK CONTROL ARM	1)	DIAM. 17 mm.
1215026	7601064	SILENTBLOCK CENTRALE CENTRAL BUSHING		
1215027	7601068	SILENTBLOCK ESTREMO OUTER BUSHING		
1215028	7601065	SILENTBLOCK ESTREMO OUTER BUSHING		
1215243	7601642	GOMMINO BARRA STABILIZZATRICE RUBBER RING STABILIZING BAR		
1215264	-	SILENTBLOCK CENTRALE CENTRAL BUSHING		
1215265	-	SILENTBLOCK CENTRALE CENTRAL BUSHING		
0181142-K	60570627 *	KIT PUNTONE BARRA STABILIZZATRICE STABILIZER LINK KIT		

DESTRO
RIGHT

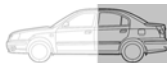


SINISTRO
LEFT

BRAVO - BRAVA

1995 > 2001

Asse Posteriore



Rear Axle

0901911



OCAP	O.E.			
0901911	46459723 *	KIT RIPARAZIONE BRACCIO OSCILLANTE REPAIRING KIT CONTROL ARM		

DESTRO
RIGHT

 SINISTRO
LEFT

BRAVO

04/2007 >

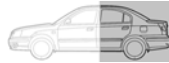
Asse Anteriore



Front Axle



Asse Posteriore



Rear Axle



OCAP	O.E.		
0281858	9949218	TESTA STERZO TIE ROD END	RHT M14x1,5
0402268	51827737 *	SNODO SOSPENSIONE BALL JOINT	
0502686	51801136	STABILIZZATORE STABILIZER LINK	
0782268	51827737	BRACCIO OSCILLANTE - INFERIORE TRACK CONTROL ARM - LOWER	
0792268	51827736	BRACCIO OSCILLANTE - INFERIORE TRACK CONTROL ARM - LOWER	
0902687	77364341	KIT CUFFIE STERZO STEERING GAITER KIT	
1211469	77364341 *	CUFFIA STERZO STEERING GAITER	
1215561	50700778	SILENTBLOCK ESTREMO OUTER BUSHING	
1215562	51840600	SILENTBLOCK BUSHING	
1215794	51983599	SILENTBLOCK CENTRALE CENTRAL BUSHING	

CAMPAGNOLA (NUOVA CAMPAGNOLA)

DESTRO
RIGHT



SINISTRO
LEFT

CAMPAGNOLA (NUOVA CAMPAGNOLA)	1107	1974 > 1987
-------------------------------	------	-------------

Asse Anteriore



Front Axle

0500514



Asse Posteriore



Rear Axle

0301038



0301038



OCAP	O.E.			
0190513	1379708	TESTA STERZO TIE ROD END		LHT M16x1
0301038	1379330	BRACCIO OSCILLANTE TRACK CONTROL ARM		
0381000	1376754	BRACCIO OSCILLANTE TRACK CONTROL ARM		
0391000	1376755	BRACCIO OSCILLANTE TRACK CONTROL ARM		
0500514	1378711	BARRA STERZO TIE ROD		

DESTRO
RIGHT



SINISTRO
LEFT

CINQUECENTO
SEICENTO

1992 >
1998 >

Asse Anteriore



Front Axle



OCAP	O.E.			
0280297	7669756	TESTA STERZO TIE ROD END		RHT M12x1,5
0380177	7636996	BRACCIO OSCILLANTE TRACK CONTROL ARM		
0390177	7636995	BRACCIO OSCILLANTE TRACK CONTROL ARM		
0600179	7658273	SNODO ASSIALE AXIAL JOINT		RHT M12x1,5
0901173	-	KIT CUFFIE STERZO STEERING GAITER KIT		
1211190	7700064	CUFFIA STERZO STEERING GAITER		
1215029	7673581	SILENTBLOCK CENTRALE CENTRAL BUSHING		
1215030	7673582	SILENTBLOCK ESTREMO OUTER BUSHING		

DESTRO
RIGHT



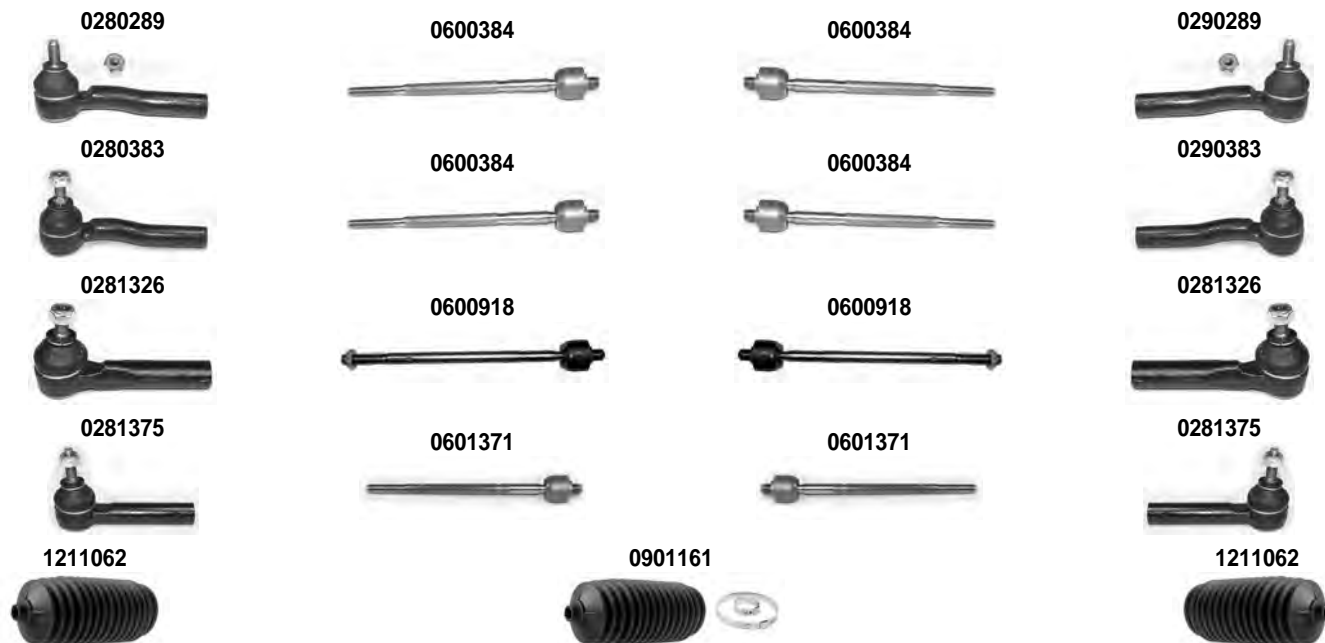
SINISTRO
LEFT

COUPE'	FA/175	1993 > 2000
--------	--------	-------------

Asse Anteriore



Front Axle



i 1) MOD: 2.000 - 1750 16V 3) MOD: 1750 16V - 2.0 20V 5 CIL.	2) MOD. 2.000 TURBO 4) MOD. 2.0 20V 5 CIL. TB
--	--

OCAP	O.E.		i	
0280289	9947438	TESTA STERZO TIE ROD END	1)	RHT M12x1,5
0280383	9947436	TESTA STERZO TIE ROD END	2)	RHT M12x1,5
0281326	9947714	TESTA STERZO TIE ROD END	3)	RHT M14x1,5
0281375	9947720	TESTA STERZO TIE ROD END	4)	RHT M14x1,5
0290289	9947437	TESTA STERZO TIE ROD END	1)	RHT M12x1,5
0290383	9947435	TESTA STERZO TIE ROD END	2)	RHT M12x1,5
0600384	9944452	SNODO ASSIALE AXIAL JOINT	1)	RHT M12x1,5
0600918	9947713	SNODO ASSIALE AXIAL JOINT	3)	RHT M14x1,5
0601371	9947718	SNODO ASSIALE AXIAL JOINT	4)	RHT M14x1,5
0901161	9941582	KIT CUFFIE STERZO STEERING GAITER KIT		
1211062	7645160	CUFFIA STERZO STEERING GAITER		

DESTRO
RIGHT



SINISTRO
LEFT

COUPE'

FA/175

1993 > 2000

Asse Anteriore



Front Axle



OCAP	O.E.			
0181142	60570627	PUNTONE BARRA STABILIZZATRICE STABILIZER LINK		
0380386	46474557	BRACCIO OSCILLANTE TRACK CONTROL ARM		DIAM. 17 mm.
0390386	46474556	BRACCIO OSCILLANTE TRACK CONTROL ARM		DIAM. 17 mm.
1215027	7601068	SILENTBLOCK ESTREMO OUTER BUSHING		
1215028	7601065	SILENTBLOCK ESTREMO OUTER BUSHING		
1215243	7601642	GOMMINO BARRA STABILIZZATRICE RUBBER RING STABILIZING BAR		
1215264	-	SILENTBLOCK CENTRALE CENTRAL BUSHING		
1215265	-	SILENTBLOCK CENTRALE CENTRAL BUSHING		
0181142-K	60570627 *	KIT PUNTONE BARRA STABILIZZATRICE STABILIZER LINK KIT		

DESTRO
RIGHT



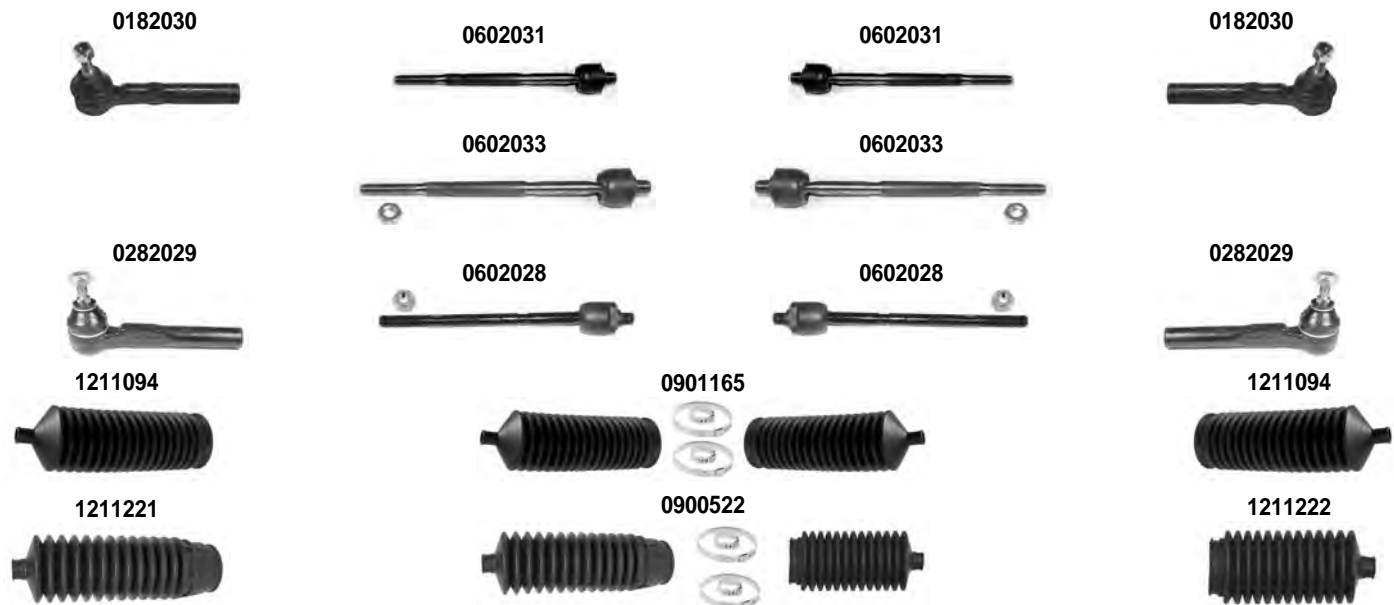
SINISTRO
LEFT

CROMA	154	1986 > 1996
--------------	-----	-------------

Asse Anteriore



Front Axle



i 1) > 1986 3) SERVOSTERZO - POWER STEERING	2) STERZO MANUALE - MANUAL STEERING 4) 1987 >
---	---

OCAP	O.E.		i	
0182030	82392503	TESTA STERZO TIE ROD END	1)	RHT M12x1,5
0282029	82387676	TESTA STERZO TIE ROD END	3) 4)	RHT M14x1,5
0602028	9040260	SNODO ASSIALE AXIAL JOINT	3) 4)	RHT M14x1,5
0602031	9939557	SNODO ASSIALE AXIAL JOINT	2)	RHT M12x1,5
0602033	9939675	SNODO ASSIALE AXIAL JOINT	1) 3)	RHT M12x1,5
0900522	9938779	KIT CUFFIE STERZO STEERING GAITER KIT	3) 4)	
0901165	-	KIT CUFFIE STERZO STEERING GAITER KIT	1)	
1211094	9939555	CUFFIA STERZO STEERING GAITER	1)	
1211221	60760026	CUFFIA STERZO STEERING GAITER	3) 4)	
1211222	-	CUFFIA STERZO STEERING GAITER	3) 4)	

DESTRO
RIGHT



SINISTRO
LEFT

CROMA

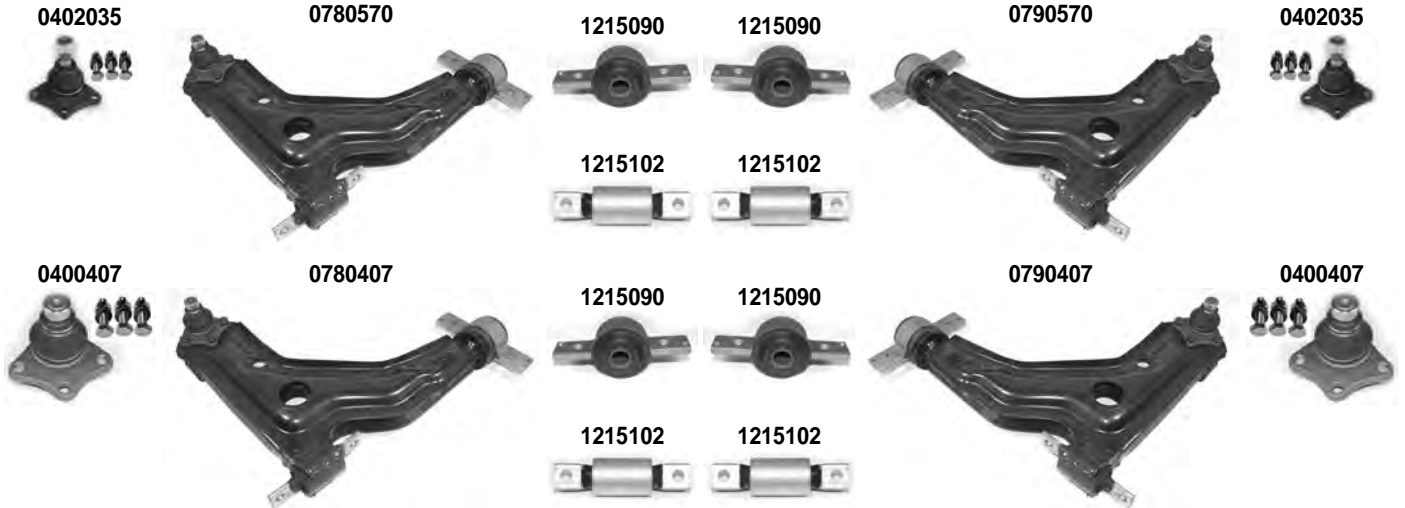
154

1986 > 1996

Asse Anteriore



Front Axle



i 5) FORO BARRA STABILIZZATRICE - STABILIZING BAR HOLE: DIAM.14 mm. 6) FORO BARRA STABILIZZATRICE - STABILIZING BAR HOLE: DIAM. 20 mm.

OCAP	O.E.		i	
0400407	82420623	SNODO SOSPENSIONE BALL JOINT		DIAM. 20 mm.
0402035	82446499	SNODO SOSPENSIONE BALL JOINT		RHT M12x1,5 DIAM. 13 mm.
0780407	-	BRACCIO OSCILLANTE TRACK CONTROL ARM	6)	DIAM. 20 mm.
0780570	-	BRACCIO OSCILLANTE TRACK CONTROL ARM	5)	RHT M12x1,5 DIAM. 13 mm.
0790407	-	BRACCIO OSCILLANTE TRACK CONTROL ARM	6)	DIAM. 20 mm.
0790570	-	BRACCIO OSCILLANTE TRACK CONTROL ARM	5)	RHT M12x1,5 DIAM. 13 mm.
1215090	82388433	SILENTBLOCK ESTREMO OUTER BUSHING		
1215102	-	SILENTBLOCK CENTRALE CENTRAL BUSHING		

DESTRO
RIGHT



SINISTRO
LEFT

CROMA	154	1986 > 1996
--------------	-----	-------------

Asse Anteriore



Front Axle



Asse Posteriore



Rear Axle



i 7) > 12/1991	8) 01/1992 >
-----------------------	---------------------

OCAP	O.E.		i	
0181303	60808278	PUNTORE BARRA STABILIZZATRICE STABILIZER LINK	8)	
0181316	82443635	PUNTORE BARRA STABILIZZATRICE STABILIZER LINK	7)	
0501341	82404618	BARRA SOSPENSIONE SUSPENSION BAR		
1214019	83398688	GOMMINO PUNTORE BARRA STABILIZZATRICE RUBBER RING STABILIZING BAR	7)	
1215243	7601642	GOMMINO PUNTORE BARRA STABILIZZATRICE RUBBER RING STABILIZING BAR	8)	
1215351	82403643	SILENTBLOCK BUSHING		
1215421	82412746	BOCCOLA BARRA STABILIZZATRICE RUBBER RING STABILIZING BAR		DIAM. 19 mm.
0181304-K	82457524 *	KIT PUNTORE BARRA STABILIZZATRICE STABILIZER LINK KIT	8)	
0181316-K	82443635 *	KIT PUNTORE BARRA STABILIZZATRICE STABILIZER LINK KIT	7)	

DESTRO
RIGHT



SINISTRO
LEFT

CROMA

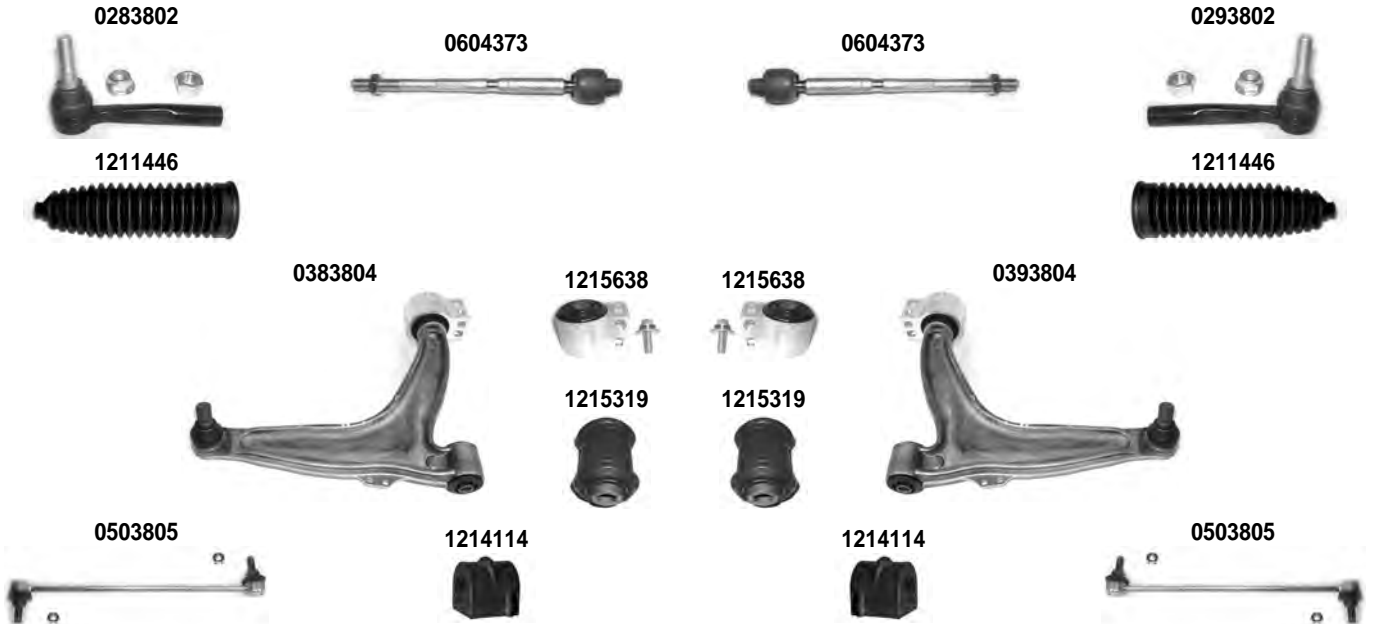
194

2005 >

Asse Anteriore



Front Axle



OCAP	O.E.		
0283802	77363712	TESTA STERZO TIE ROD END	RHT M14x1,5
0293802	77363713	TESTA STERZO TIE ROD END	RHT M14x1,5
0383804	51748652	BRACCIO OSCILLANTE - ALLUMINIO TRACK CONTROL ARM - ALUMINIUM	
0393804	51748653	BRACCIO OSCILLANTE - ALLUMINIO TRACK CONTROL ARM - ALUMINIUM	
0503805	51803183	STABILIZZATORE STABILIZER LINK	
0604373	1609050	SNODO ASSIALE AXIAL JOINT	RHT M14x1,5
1211446	77363710	CUFFIA STERZO STEERING GAITER	
1214114	71746346	SILENTBLOCK BARRA STABILIZZATRICE STABILIZING BAR BUSHING	DIAM. 23,3 mm.
1215319	352364	SILENTBLOCK CENTRALE CENTRAL BUSHING	
1215638	71740107	SILENTBLOCK ESTREMO - ALLUMINIO OUTER BUSHING - ALUMINIUM	

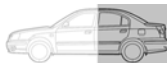
DESTRO
RIGHT



SINISTRO
LEFT

CROMA	194	2005 >
--------------	-----	--------

Asse Posteriore



Rear Axle

0402133

0702133

1215781

1215781

0702133

0402133






0504375

1214247

0504375



OCAP	O.E.			
0402133	51783009 *	GIUNTO SOSPENSIONE SWING ARM JOINT		
0504375	71740112	STABILIZZATORE STABILIZER LINK		
0702133	51783009	BRACCIO OSCILLANTE TRACK CONTROL ARM		
1214247	71740113	SILENTBLOCK BARRA STABILIZZATRICE STABILIZING BAR BUSHING		DIAM. 18 mm.
1215781	51748740 *	SILENTBLOCK BUSHING		

DESTRO
RIGHT

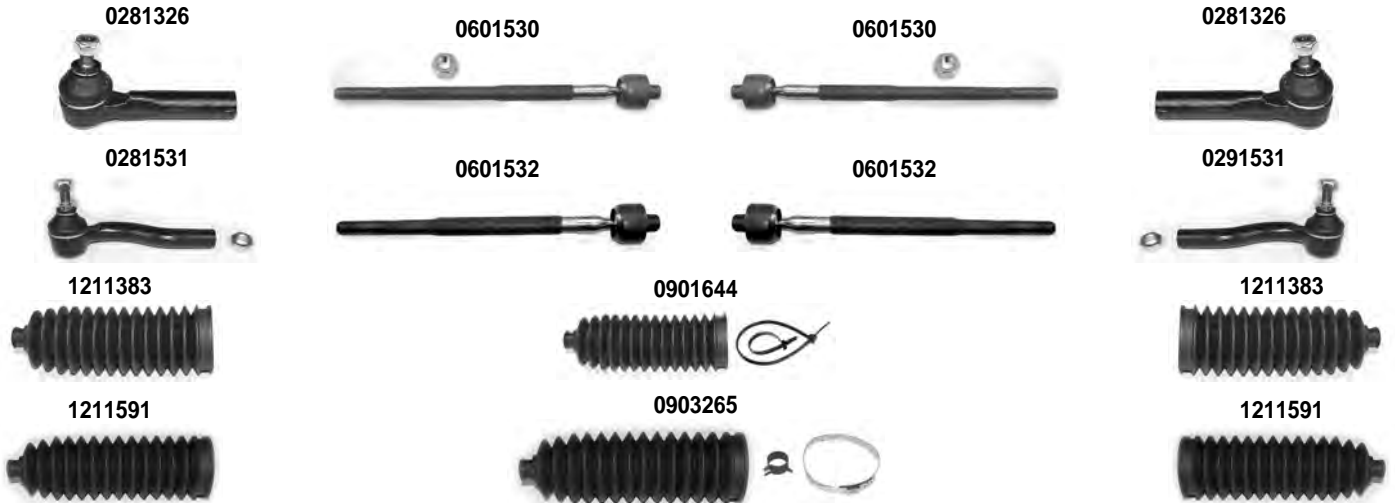
 SINISTRO
LEFT

DOBLO'	119 - 223	2000 > 2009
---------------	-----------	-------------

Asse Anteriore



Front Axle



i 1)STERZO MANUALE - MANUAL STEERING: 2000 > - SERVOSTERZO - POWER STEERING: > 11/2001 3) > 2005	2)SERVOSTERZO - POWER STEERING: 11/2001 > 4) DOBLO' RESTYLING 2005 >
---	---

OCAP	O.E.		i	
0281326	98845030	TESTA STERZO TIE ROD END	1)	RHT M14x1,5
0281531	98845031	TESTA STERZO TIE ROD END	2)	RHT M14x1,5
0291531	98845032	TESTA STERZO TIE ROD END	2)	RHT M14x1,5
0601530	98845025	SNODO ASSIALE AXIAL JOINT	1)	RHT M14x1,5
0601532	98845026	SNODO ASSIALE AXIAL JOINT	2)	RHT M14x1,5
0901644	7081850	KIT CUFFIA STERZO STEERING GAITER KIT	3)	
0903265	98845882	KIT CUFFIA STERZO STEERING GAITER KIT	4)	
1211383	-	CUFFIA STERZO STEERING GAITER	3)	
1211591	-	CUFFIA STERZO STEERING GAITER	4)	

DESTRO
RIGHT



SINISTRO
LEFT

DOBLO'

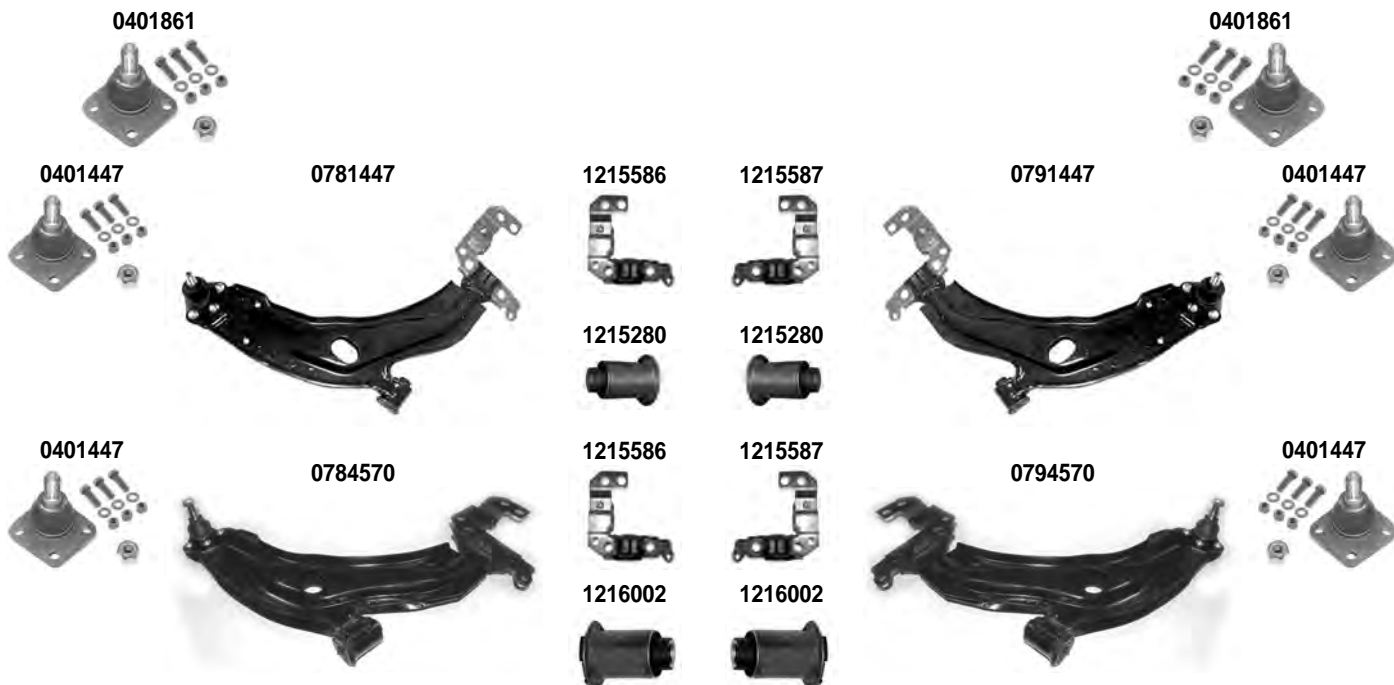
119 - 223

2000 > 2009

Asse Anteriore



Front Axle



i 5) > N. 5023342
7) SOLO PER - ONLY FOR: RESTYLING 2005 >

6) N. 5023343 > - ECETTO EXCEPT: RESTYLING 2005 >

OCAP	O.E.		
0401447	46842581	SNODO SOSPENSIONE BALL JOINT	
0401861	46543045	SNODO SOSPENSIONE BALL JOINT - FRONT AXLE	5)
0781447	51712407	BRACCIO OSCILLANTE TRACK CONTROL ARM	6)
0784570	51772988	BRACCIO OSCILLANTE TRACK CONTROL ARM	7)
0791447	51712408	BRACCIO OSCILLANTE TRACK CONTROL ARM	6)
0794570	51772992	BRACCIO OSCILLANTE TRACK CONTROL ARM	7)
1215280	-	SILENTBLOCK CENTRALE CENTRAL BUSHING	
1215586	-	SILENTBLOCK ESTREMO OUTER BUSHING	
1215587	-	SILENTBLOCK ESTREMO OUTER BUSHING	
1216002	-	SILENTBLOCK CENTRALE CENTRAL BUSHING	

DESTRO
RIGHT

 SINISTRO
LEFT

DOBLO'

119 - 223

2000 > 2009

Asse Anteriore



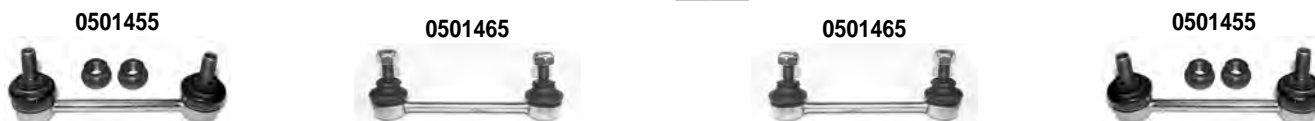
Front Axle



Asse Posteriore



Rear Axle


 5) > N. 5023342
9) > N. 5023342

 8) SOLO PER: CARGO COMBINATO BASE PORTATA
MAGGIORATA - ONLY FOR: CARGO COMBINATO BASE
GREATER CAPACITY
10) SOLO PER: ISRAELE - TROPICO ZONE POLVEROSE -
ONLY FOR: ISRAEL - TROPICS AND DUSTY ROADS

OCAP	O.E.		i	
0401447	46842581	SNODO SOSPENSIONE BALL JOINT		
0501455	46767267	STABILIZZATORE POSTERIORE STABILIZER LINK REAR AXLE		
0501465	46799278	STABILIZZATORE POSTERIORE STABILIZER LINK REAR AXLE	10)	
0783814	51727863	BRACCIO OSCILLANTE TRACK CONTROL ARM	8)	
0793814	51727865	BRACCIO OSCILLANTE TRACK CONTROL ARM	8)	
1214182	46790552	SILENTBLOCK BARRA STABILIZZATRICE STABILIZING BAR BUSHING		DIAM. 23 mm.
1215280	-	SILENTBLOCK CENTRALE CENTRAL BUSHING		
1215420	7750990	SUPPORTO BARRA STABILIZZATRICE STABILIZING BAR SUPPORT	5)	
1215642	-	SILENTBLOCK ESTREMO OUTER BUSHING		
1215643	-	SILENTBLOCK ESTREMO OUTER BUSHING		
1249596	51744226	SUPPORTO BARRA STABILIZZATRICE STABILIZING BAR SUPPORT	9)	

DESTRO
RIGHT



SINISTRO
LEFT

DOBLO'	152 - 263	2010 >
--------	-----------	--------

Asse Anteriore



Front Axle



i 1) > 04/2012	2) 04/2012 >
-----------------------	--------------

OCAP	O.E.		i	
0283262	77365224	TESTA STERZO TIE ROD END		RHT M14x1,5
0293262	77365223	TESTA STERZO TIE ROD END		RHT M14x1,5
0403263	51810664 *	SNODO SOSPENSIONE - INFERIORE BALL JOINT - LOWER		
0503264	51848645	STABILIZZATORE STABILIZER LINK		
0603262	26144989	SNODO ASSIALE AXIAL JOINT		RHT M14x1,5
0785495	52008283	BRACCIO OSCILLANTE - INFERIORE TRACK CONTROL ARM - LOWER		
0795495	52008282	BRACCIO OSCILLANTE - INFERIORE TRACK CONTROL ARM - LOWER		
0903262	77365222	KIT CUFFIA STERZO STEERING GAITER KIT		
1211590	77365222 *	CUFFIA STERZO STEERING GAITER		
1215560	55703232	SILENTBLOCK CENTRALE CENTRAL BUSHING		
1215970	55700751	SILENTBLOCK ESTREMO OUTER BUSHING	1)	
1216179	-	SILENTBLOCK ESTREMO OUTER BUSHING	2)	

DESTRO
RIGHT



SINISTRO
LEFT

DUCATO - TALENTO

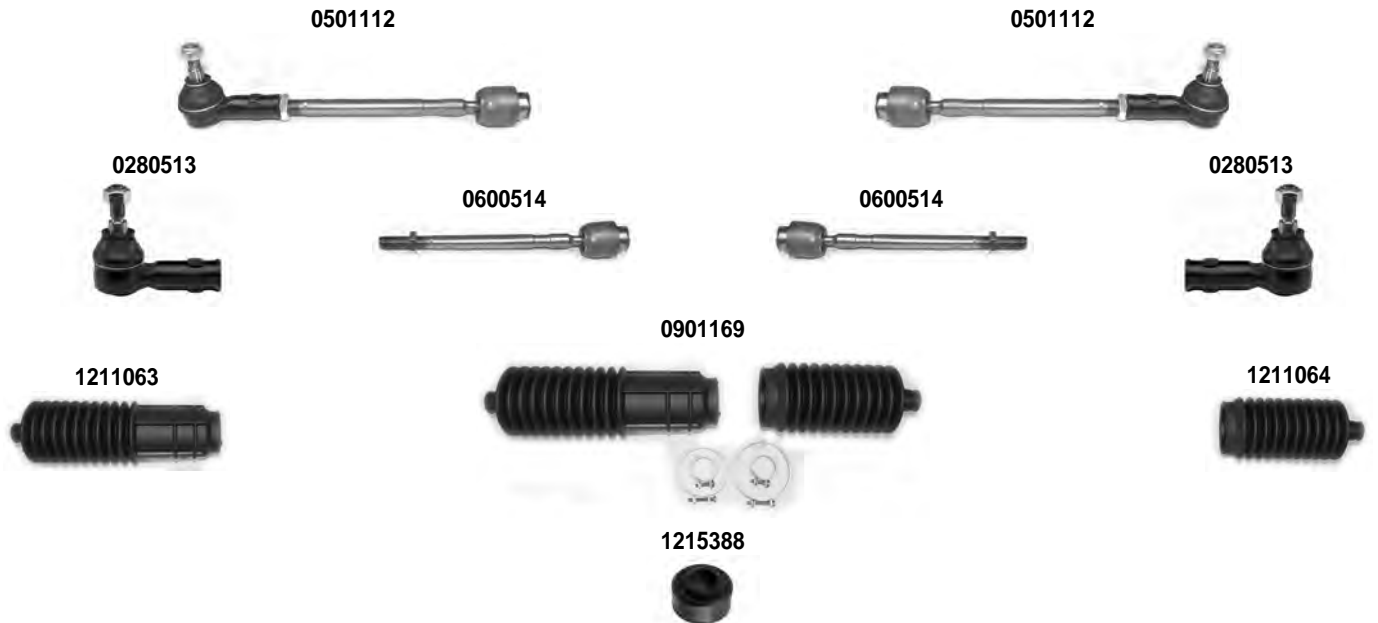
280 - 290

1982 > 03/1994

Asse Anteriore



Front Axle



OCAP	O.E.		
0280513	9750079800	TESTA STERZO TIE ROD END	RHT M16x1,5
0501112	9790002680 *	BARRA STERZO TIE ROD	
0600514	9750390080	SNODO ASSIALE AXIAL JOINT	RHT M16x1,5
0901169	9750000280 *	KIT CUFFIE STERZO STEERING GAITER KIT	
1211063	9750000380	CUFFIA STERZO STEERING GAITER	
1211064	9750000280	CUFFIA STERZO STEERING GAITER	
1215388	4339248	BOCCOLA BARRA STABILIZZATRICE STABILIZING BAR BUSHING	

DESTRO
RIGHT



SINISTRO
LEFT

DUCATO - TALENTO	280 - 290	1982 > 03/1994
------------------	-----------	----------------

Asse Anteriore



Front Axle

0400097



0380405



1214001



1214001



0390405



0400097



0901527



0901527



0400096



0380406



1214001



1214001

0390406



0400096



0901527



0901527



0400096



0380565



1214022



1214022

0390565



0400096



0901528



0901528



i 1) > 09/1985 3) SOLO PER - ONLY FOR: MOD.1.8 t	2) 10/1985 >
--	--------------

OCAP	O.E.		i	
0380405	4391813	BRACCIO OSCILLANTE TRACK CONTROL ARM	1)	
0380406	7695190	BRACCIO OSCILLANTE TRACK CONTROL ARM	2)	
0380565	7695185	BRACCIO OSCILLANTE TRACK CONTROL ARM	2) 3)	
0390405	4391814	BRACCIO OSCILLANTE TRACK CONTROL ARM	1)	
0390406	7695191	BRACCIO OSCILLANTE TRACK CONTROL ARM	2)	
0390565	7695186	BRACCIO OSCILLANTE TRACK CONTROL ARM	2) 3)	
0400096	7567284	SNODO SOSPENSIONE INFERIORE BALL JOINT LOWER	2)	
0400097	4388159	SNODO SOSPENSIONE INFERIORE BALL JOINT LOWER	1)	
0901527	-	KIT SILENTBLOCK BUSHING KIT		
0901528	-	KIT SILENTBLOCK BUSHING KIT	3)	
1214001	4331968	SILENTBLOCK ESTREMO OUTER BUSHING		
1214022	7695185 *	SILENTBLOCK ESTREMO OUTER BUSHING	3)	

DESTRO
RIGHT

 SINISTRO
LEFT

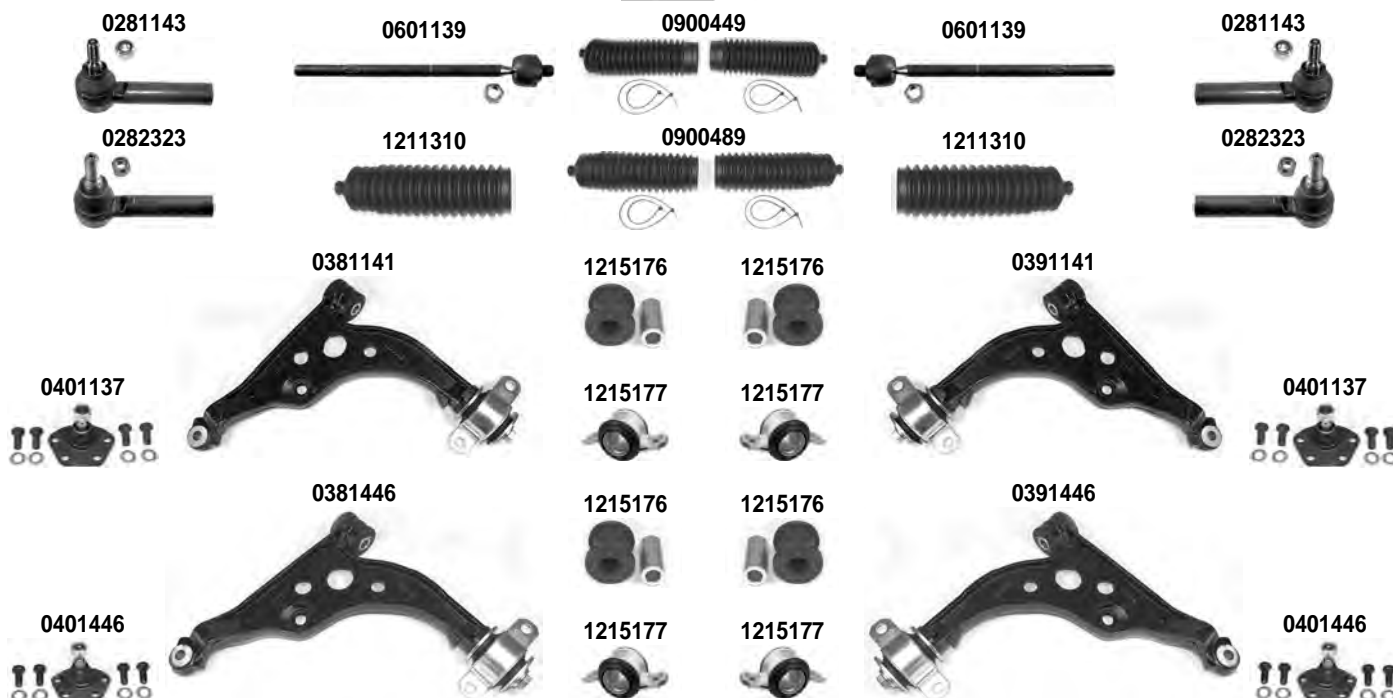
DUCATO

230 - 244

03/1994 > 2006

Asse Anteriore

Front Axle



i	1) > 12/2002	2) 01/2003 >
	3) STERZO MANUALE - MANUAL STEERING	4) SERVOSTERZO - POWER STEERING
	5) MOD. 1.0 - 1.4 t.	6) > CH. 6086766 - 4X4 > CH. 7226521
	7) CH. 6086767 > - 4X4 CH. 7226522 >	

OCAP	O.E.		i	
0281143	1306716080	TESTA STERZO TIE ROD END	1)	RHT M16x1,5
0282323	77362278	TESTA STERZO TIE ROD END	2)	RHT M16x1,5
0381141	1320787080	BRACCIO OSCILLANTE TRACK CONTROL ARM	5) 6)	
0381446	1339467080	BRACCIO OSCILLANTE TRACK CONTROL ARM	5) 7)	
0391141	1320786080	BRACCIO OSCILLANTE TRACK CONTROL ARM	5) 6)	
0391446	1339465080	BRACCIO OSCILLANTE TRACK CONTROL ARM	5) 7)	
0401137	1302368080	SNODO SOSPENSIONE BALL JOINT	5) 6)	
0401446	1331640080	SNODO SOSPENSIONE BALL JOINT	5) 7)	
0601139	1471654080	SNODO ASSIALE AXIAL JOINT		RHT M16x1,5
0900449	9945837	KIT CUFFIA STERZO STEERING GAITER KIT	4)	
0900489	9946982	KIT CUFFIA STERZO STEERING GAITER KIT	3)	
1211310	4018A5	CUFFIA STERZO STEERING GAITER	3)	
1215176	-	SILENTBLOCK CENTRALE CENTRAL BUSHING		
1215177	-	SILENTBLOCK ESTREMO OUTER BUSHING		

DESTRO
RIGHT



SINISTRO
LEFT

DUCATO	230 - 244	03/1994 > 2006
--------	-----------	----------------

Asse Anteriore



Front Axle



i 8) MOD. 1.8 t > 10) CH. 6087207 > - 4X4 CH. 7226522 >	9) > CH. 6087206 - 4X4 > CH. 7226521
---	--------------------------------------

OCAP	O.E.		i	
0181602	508737	PUNTONE BARRA STABILIZZATRICE STABILIZER LINK		
0381140	1320756080	BRACCIO OSCILLANTE TRACK CONTROL ARM	8) 9)	
0381451	1339466080	BRACCIO OSCILLANTE TRACK CONTROL ARM	8) 10)	
0391140	1320755080	BRACCIO OSCILLANTE TRACK CONTROL ARM	8) 9)	
0391451	1339464080	BRACCIO OSCILLANTE TRACK CONTROL ARM	8) 10)	
0401138	1300473080	SNODO SOSPENSIONE BALL JOINT	8) 9)	
0401451	1331641080	SNODO SOSPENSIONE BALL JOINT	8) 10)	
1215176	-	SILENTBLOCK CENTRALE CENTRAL BUSHING		
1215177	-	SILENTBLOCK ESTREMO OUTER BUSHING		
1215491	1300720080	GOMMINO PUNTONE BARRA STABILIZZATRICE RUBBER RING STABILIZER LINK		
0181602-K	1300716080 *	KIT PUNTONE BARRA STABILIZZATRICE STABILIZER LINK KIT		

DESTRO
RIGHT



SINISTRO
LEFT

DUCATO

250

07/2006 >

Asse Anteriore



Front Axle



i 1) MOD. Q11 - Q15 - Q17L
3) > 05/2014

2) MOD. Q17H - Q20

OCAP	O.E.		i	
0282637	77364009	TESTA STERZO TIE ROD END		RHT M16x1,5
0292637	77364253	TESTA STERZO TIE ROD END		RHT M16x1,5
0382638	1352225080	BRACCIO OSCILLANTE TRACK CONTROL ARM	1) 3)	
0382639	1352226080	BRACCIO OSCILLANTE TRACK CONTROL ARM	2) 3)	
0392638	1352227080	BRACCIO OSCILLANTE TRACK CONTROL ARM	1) 3)	
0392639	1352228080	BRACCIO OSCILLANTE TRACK CONTROL ARM	2) 3)	
0402638	50705629	SNODO SOSPENSIONE BALL JOINT		
0602637	1359226080 *	SNODO ASSIALE AXIAL JOINT		RHT M16x1,5
0902637	77364254	KIT CUFFIA STERZO STEERING GAITER KIT		
1211604	77364254 *	CUFFIA STERZO STEERING GAITER		
1215822	1374222080 *	SILENTBLOCK CENTRALE CENTRAL BUSHING		
1215823	50705198	SILENTBLOCK ESTREMO OUTER BUSHING		

DESTRO
RIGHT



SINISTRO
LEFT

DUCATO

250

07/2006 >

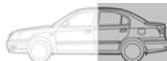
Asse Anteriore



Front Axle



Asse Posteriore



Rear Axle



i 4) 05/2014 >

OCAP	O.E.		i	
0182638	1357572080 *	STABILIZZATORE STABILIZER LINK		
0388667	1374222080	BRACCIO OSCILLANTE TRACK CONTROL ARM	4)	
0398667	1374223080	BRACCIO OSCILLANTE TRACK CONTROL ARM	4)	
0402638	50705629	SNODO SOSPENSIONE BALL JOINT		
0503520	1355449080 *	STABILIZZATORE STABILIZER LINK		
1215822	1374222080 *	SILENTBLOCK CENTRALE CENTRAL BUSHING		
1215823	3520S0	SILENTBLOCK ESTREMO OUTER BUSHING		

DESTRO
RIGHT



SINISTRO
LEFT

**DUNA - UNO CS - PREMIO
FIORINO**

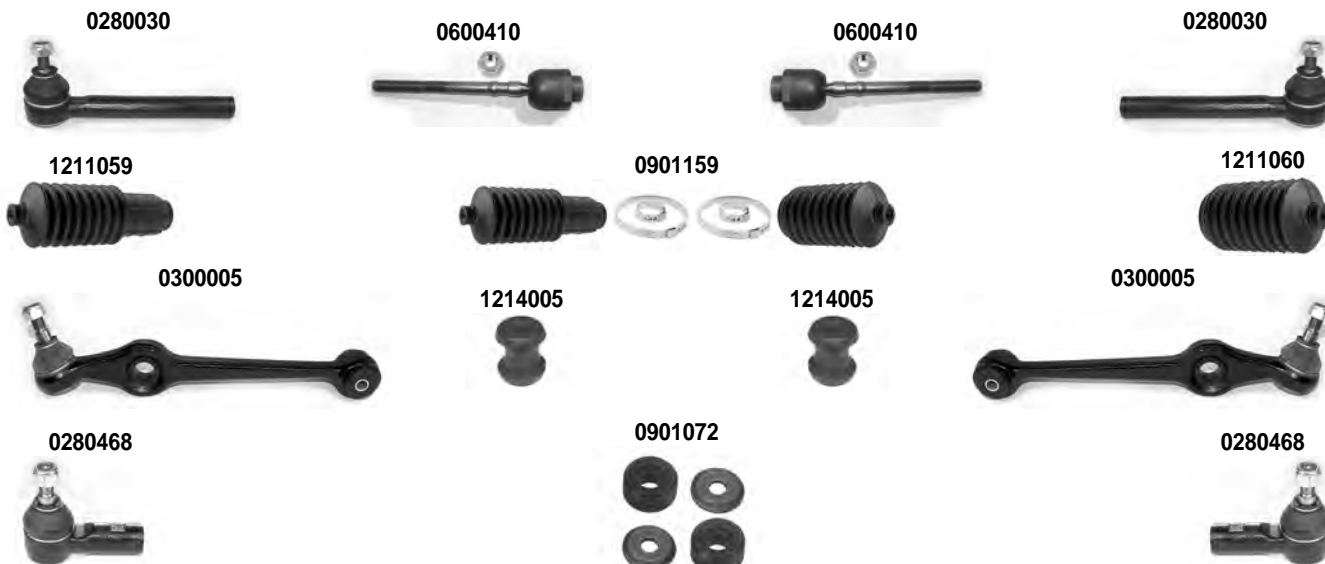
146 B
146

1985 >
1988 > 1993

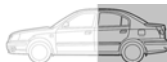
Asse Anteriore



Front Axle



Asse Posteriore



Rear Axle



OCAP	O.E.			
0280030	7543028	TESTA STERZO TIE ROD END		RHT M12x1,5
0280468	7693816	SNODO BARRA STABILIZZATRICE SUSPENSION JOINT STABILIZING BAR		RHT M16x1,5
0300005	7591277	BRACCIO OSCILLANTE TRACK CONTROL ARM		
0600410	5960321	SNODO ASSIALE AXIAL JOINT - RHT M12x1,5		RHT M12x1,5
0901072	7544738 *	KIT BOCCOLE BARRA STABILIZZATRICE STABILIZING BAR BUSHING KIT		DIAM. 14 mm.
0901159	9939574	KIT CUFFIE STERZO STEERING GAITER KIT		
1211059	4371156	CUFFIA STERZO STEERING GAITER		
1211060	4371155	CUFFIA STERZO STEERING GAITER		
1214005	4402362	SILENTBLOCK BUSHING		
1215092	4434652	SILENTBLOCK BRACCIO OSCILLANTE TRACK CONTROL ARM BUSHING		

DESTRO
RIGHT



SINISTRO
LEFT

FIORINO

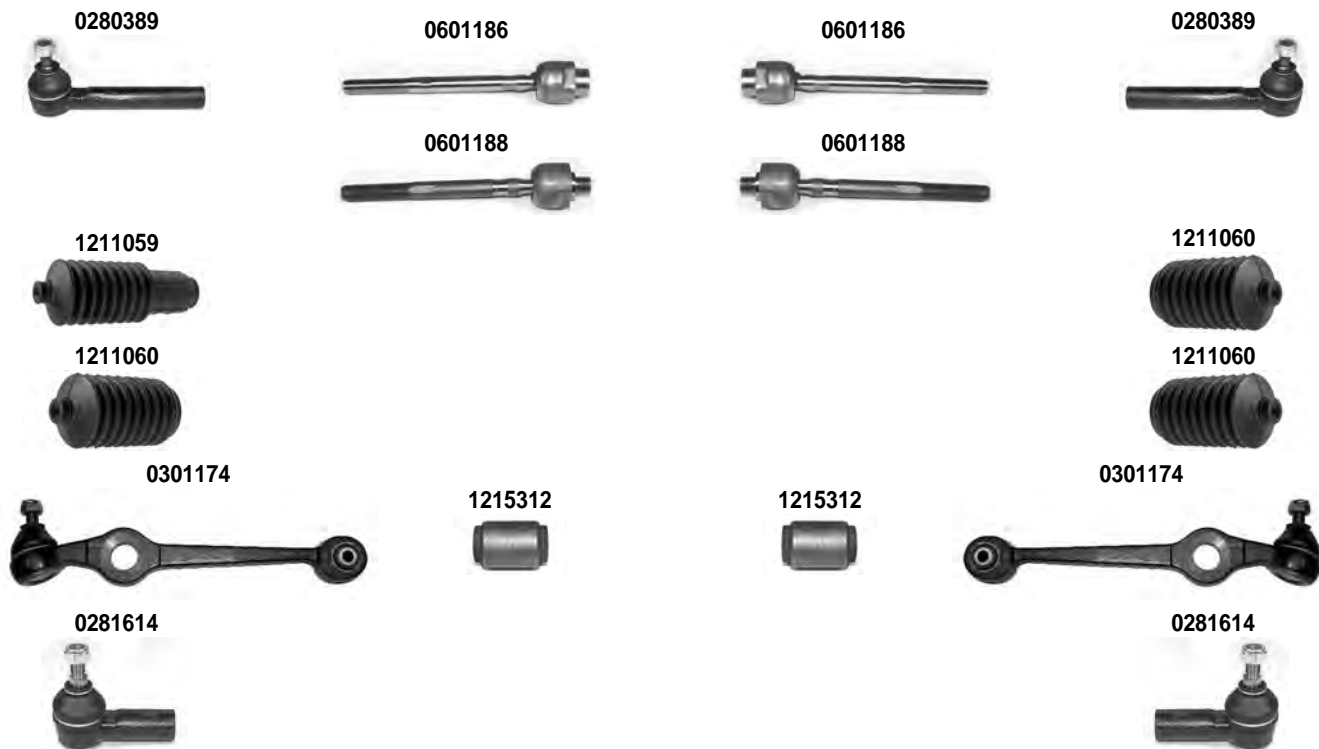
146

1993 > 2007

Asse Anteriore



Front Axle



i 1) STERZO MANUALE - MANUAL STEERING	2) SERVOSTERZO - POWER STEERING
--	---------------------------------

OCAP	O.E.		i	
0280389	50006262	TESTA STERZO TIE ROD END		RHT M14x1,5
0281614	7524715	SNODO BARRA STABILIZZATRICE BALL JOIN STABILIZING BAR		RHT M18x1,5
0301174	7674825	BRACCIO OSCILLANTE TRACK CONTROL ARM		
0601186	7076231	SNODO ASSIALE AXIAL JOINT	1)	RHT M14x1,5
0601188	7077206	SNODO ASSIALE AXIAL JOINT	2)	RHT M14x1,5
1211059	4371156	CUFFIA STERZO STEERING GAITER	1)	
1211060	4371155	CUFFIA STERZO STEERING GAITER		
1215312	7674701	SILENTBLOCK BUSHING		

DESTRO
RIGHT



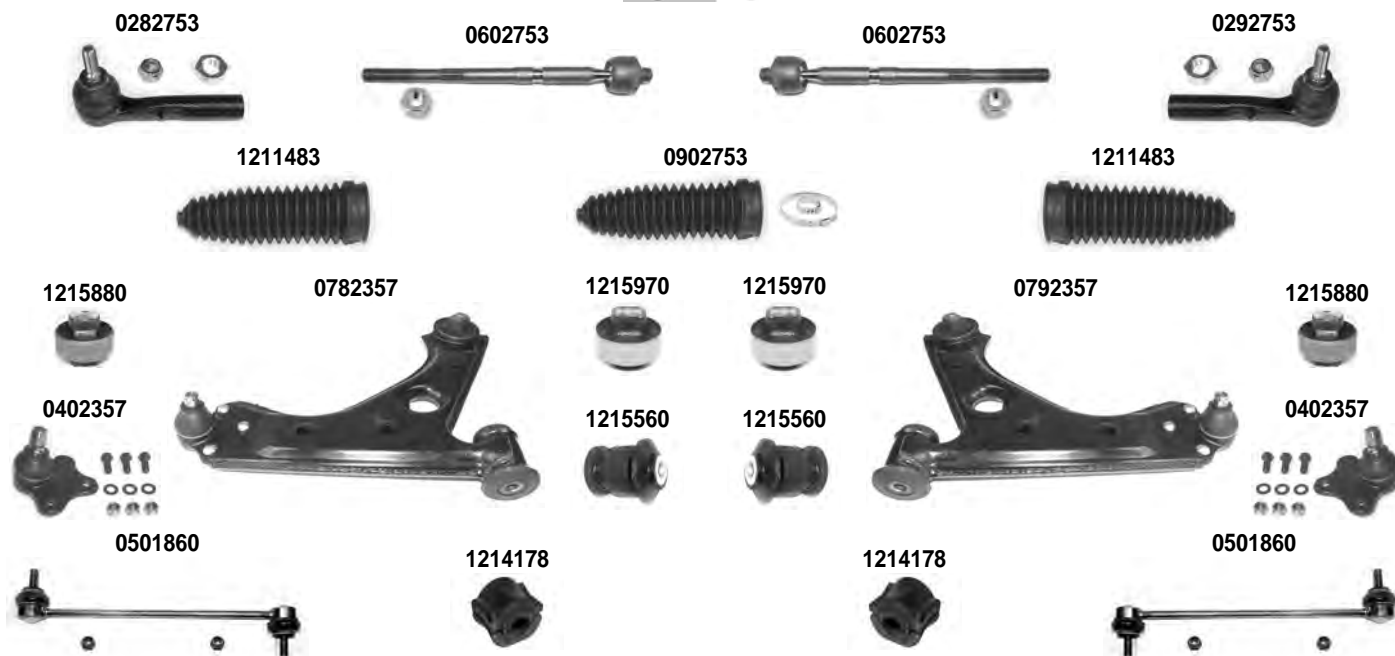
SINISTRO
LEFT

FIORINO QUBO	225 225	2007 > 2008 >
-----------------	------------	------------------

Asse Anteriore



Front Axle



OCAP	O.E.		
0282753	77364569	TESTA STERZO TIE ROD END	RHT M14x1,5
0292753	77364568	TESTA STERZO TIE ROD END	RHT M14x1,5
0402357	-	SNODO SOSPENSIONE BALL JOINT	
0501860	51815480	STABILIZZATORE STABILIZER LINK	
0602753	400177	SNODO ASSIALE AXIAL JOINT	RHT M14x1,5
0782357	51783056	BRACCIO OSCILLANTE TRACK CONTROL ARM	
0792357	51783057	BRACCIO OSCILLANTE TRACK CONTROL ARM	
0902753	77364571	KIT CUFFIA STERZO STEERING GAITER KIT	
1211483	77364571 *	CUFFIA STERZO STEERING GAITER	
1214178	51785488	SILENTBLOCK BARRA STABILIZZATRICE STABILIZING BAR BUSHING	DIAM. 21 mm.
1215560	55703232	SILENTBLOCK CENTRALE CENTRAL BUSHING	
1215880	55700751 *	SILENTBLOCK VECCHIA VERSIONE OUTER BUSHING OLD VERSION	
1215970	55700751	SILENTBLOCK ESTREMO OUTER BUSHING	

DESTRO
RIGHT



SINISTRO
LEFT

FREEMONT

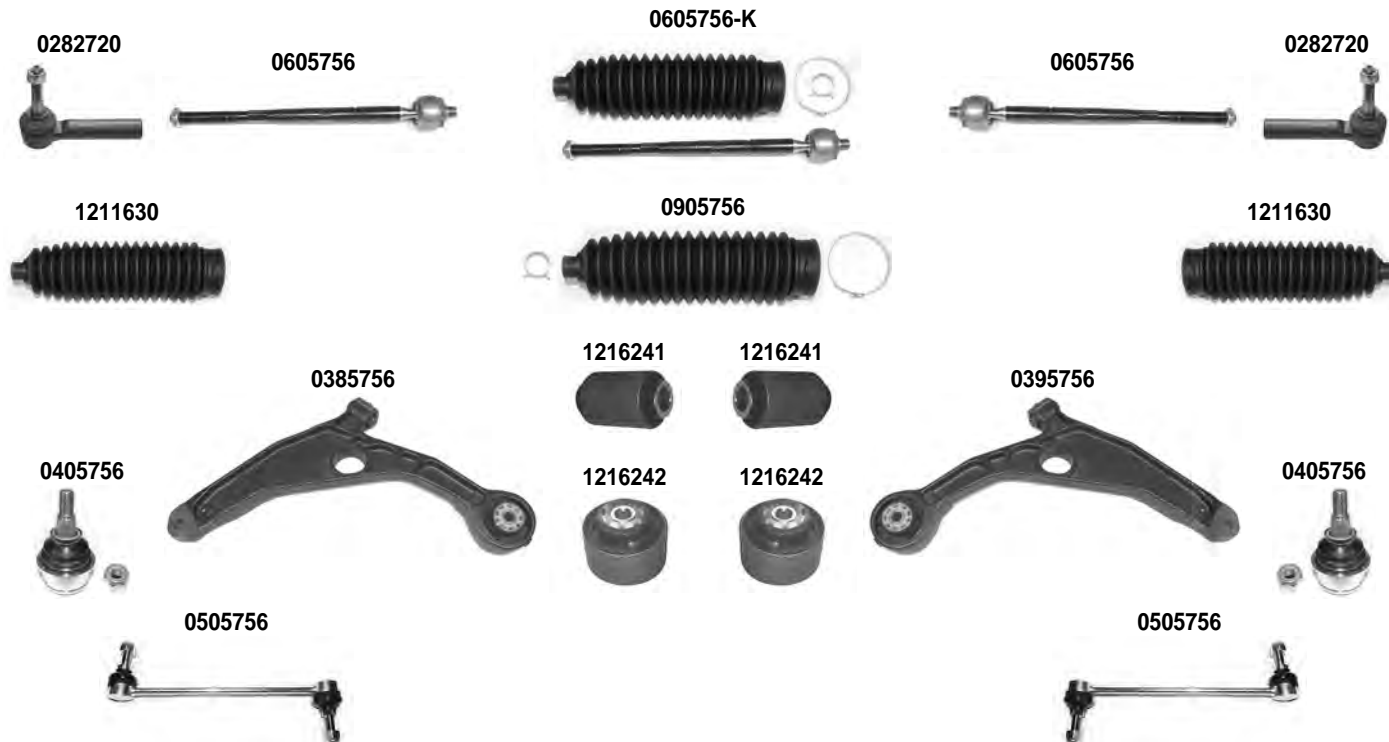
JF

08/2011 >

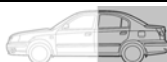
Asse Anteriore



Front Axle



Asse Posteriore



Rear Axle



OCAP	O.E.		i	
0282720	K05183761AD	TESTA STERZO TIE ROD END		RHT M14x1,5
0385756	K04766424AD	BRACCIO OSCILLANTE TRACK CONTROL ARM		
0395756	K04766423AD	BRACCIO OSCILLANTE TRACK CONTROL ARM		
0405756	K05090033AA	SNODO SOSPENSIONE BALL JOINT		
0505756	K04766962AA	STABILIZZATORE STABILIZER LINK		
0505757	K68052655AA	STABILIZZATORE STABILIZER LINK		
0605756	K68040223AE *	SNODO ASSIALE AXIAL JOINT		RHT M14x1,5
0905756	K68040223AE**	KIT CUFFIA STERZO STEERING GAITER KIT		
1211630	-	CUFFIA STERZO STEERING GAITER		
1216241	K05168160AB	SILENTBLOCK CENTRALE CENTRAL BUSHING		
1216242	K04766424AD *	SILENTBLOCK ESTREMO OUTER BUSHING		
0605756-K	K68040223AE	KIT SNODO ASSIALE AXIAL JOINT KIT		RHT M14x1,5

DESTRO
RIGHT

 SINISTRO
LEFT

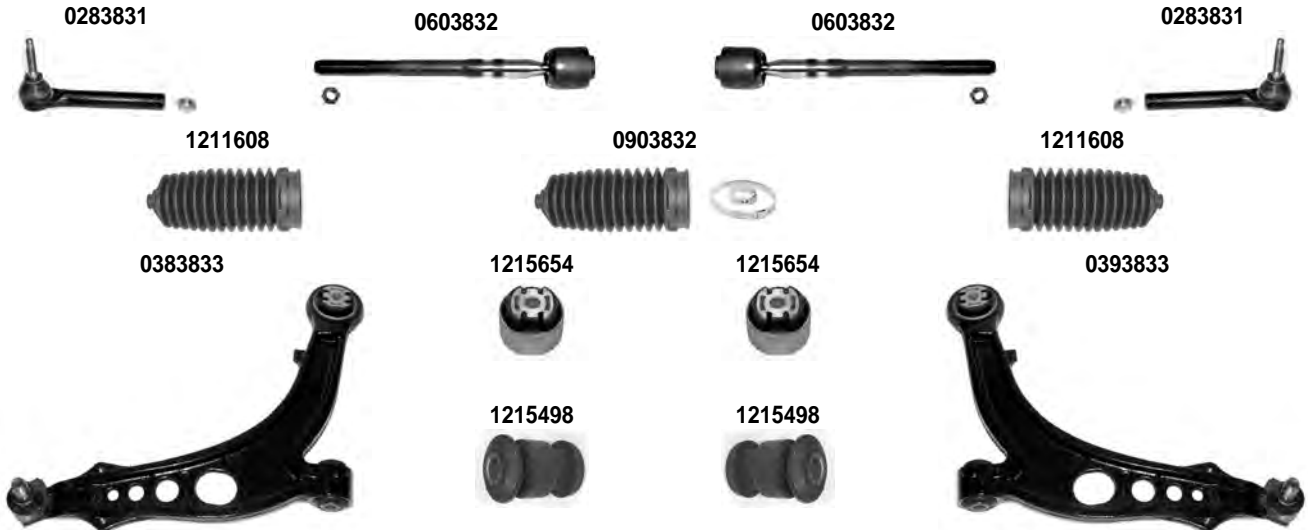
IDEA

2003 >

Asse Anteriore



Front Axle



OCAP	O.E.		i	
0283831	77362503	TESTA STERZO TIE ROD END		RHT M14x1,5
0383833	50703231	BRACCIO OSCILLANTE TRACK CONTROL ARM		
0393833	50703232	BRACCIO OSCILLANTE TRACK CONTROL ARM		
0603832	77362502	SNODO ASSIALE AXIAL JOINT		RHT M14x1,5
0903832	77362504	KIT CUFFIA STERZO STEERING GAITER KIT		
1211608	77362504 *	CUFFIA STERZO STEERING GAITER		
1215498	-	SILENTBLOCK CENTRALE CENTRAL BUSHING		
1215654	-	SILENTBLOCK ESTREMO OUTER BUSHING		

DESTRO
RIGHT



SINISTRO
LEFT

LINEA	323	2007 >
-------	-----	--------

Asse Anteriore



Front Axle



i 1) SOLO PER IL MERCATO INDIANO - ONLY FOR INDIAN MARKET

OCAP	O.E.			
0282753	77364569	TESTA STERZO TIE ROD END - RHT M14x1,5		
0292753	77364568	TESTA STERZO TIE ROD END - RHT M14x1,5		
0402357	50511650 *	SNODO SOSPENSIONE BALL JOINT		
0501860	51815480	STABILIZZATORE STABILIZER LINK		
0782357	51895366	BRACCIO OSCILLANTE TRACK CONTROL ARM		
0785335	51795840	BRACCIO OSCILLANTE TRACK CONTROL ARM	1)	
0792357	51895367	BRACCIO OSCILLANTE TRACK CONTROL ARM		
0795335	51795841	BRACCIO OSCILLANTE TRACK CONTROL ARM	1)	
0902753	77364571	KIT CUFFIA STERZO STEERING GAITER KIT		
1211483	77364571 *	CUFFIA STERZO STEERING GAITER		
1215560	55703232	SILENTBLOCK CENTRALE CENTRAL BUSHING		
1215880	55700751 *	SILENTBLOCK VECCHIA VERSIONE OUTER BUSHING OLD VERSION		
1215970	55700751	SILENTBLOCK ESTREMO OUTER BUSHING		

DESTRO
RIGHT



SINISTRO
LEFT

MAREA - MARENGO

185

1997 >

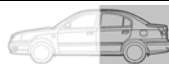
Asse Anteriore



Front Axle



Asse Posteriore



Rear Axle



i 1) SOLO PER MOTORI - ONLY FOR ENGINES: 2.0 - 2.4 TD - 2.4 JTD 1999 >

OCAP	O.E.		i	
0281326	9947719	TESTA STERZO TIE ROD END		RHT M14x1,5
0281375	9947926	TESTA STERZO TIE ROD END	1)	RHT M14x1,5
0380386	46474557	BRACCIO OSCILLANTE TRACK CONTROL ARM		DIAM. 17 mm.
0390386	46474556	BRACCIO OSCILLANTE TRACK CONTROL ARM		DIAM. 17 mm.
0501327	51701045	STABILIZZATORE STABILIZER LINK		
0600918	9947713	SNODO ASSIALE AXIAL JOINT		RHT M14x1,5
0901911	46459723 *	KIT RIPARAZIONE BRACCIO REPAIRING KIT CONTROL ARM		
1215027	7601068	SILENTBLOCK ESTREMO OUTER BUSHING		
1215028	7601065	SILENTBLOCK ESTREMO OUTER BUSHING		
1215264	-	SILENTBLOCK CENTRALE CENTRAL BUSHING		
1215265	-	SILENTBLOCK CENTRALE CENTRAL BUSHING		

DESTRO
RIGHT



SINISTRO
LEFT

MULTIPLA	186	1998 >
----------	-----	--------

Asse Anteriore



Front Axle



OCAP	O.E.			
0281326	9947719	TESTA STERZO TIE ROD END		RHT M14x1,5
0381368	46764747	BRACCIO OSCILLANTE TRACK CONTROL ARM		
0391368	46764746	BRACCIO OSCILLANTE TRACK CONTROL ARM		
0501327	51701045	STABILIZZATORE STABILIZER LINK		
0600918	9947713	SNODO ASSIALE AXIAL JOINT		RHT M14x1,5
0901317	9946816	KIT CUFFIE STERZO STEERING GAITER KIT		
1211312	9946816 *	CUFFIA STERZO STEERING GAITER		
1215455	46764747 *	SILENTBLOCK ESTREMO OUTER BUSHING		
1215456	46764746 *	SILENTBLOCK ESTREMO OUTER BUSHING		
1215457	46522142 *	SILENTBLOCK CENTRALE CENTRAL BUSHING		
1215458	46525407 *	SILENTBLOCK CENTRALE CENTRAL BUSHING		

DESTRO
RIGHT

 SINISTRO
LEFT

PALIO 2V - WEEKEND - SIENA

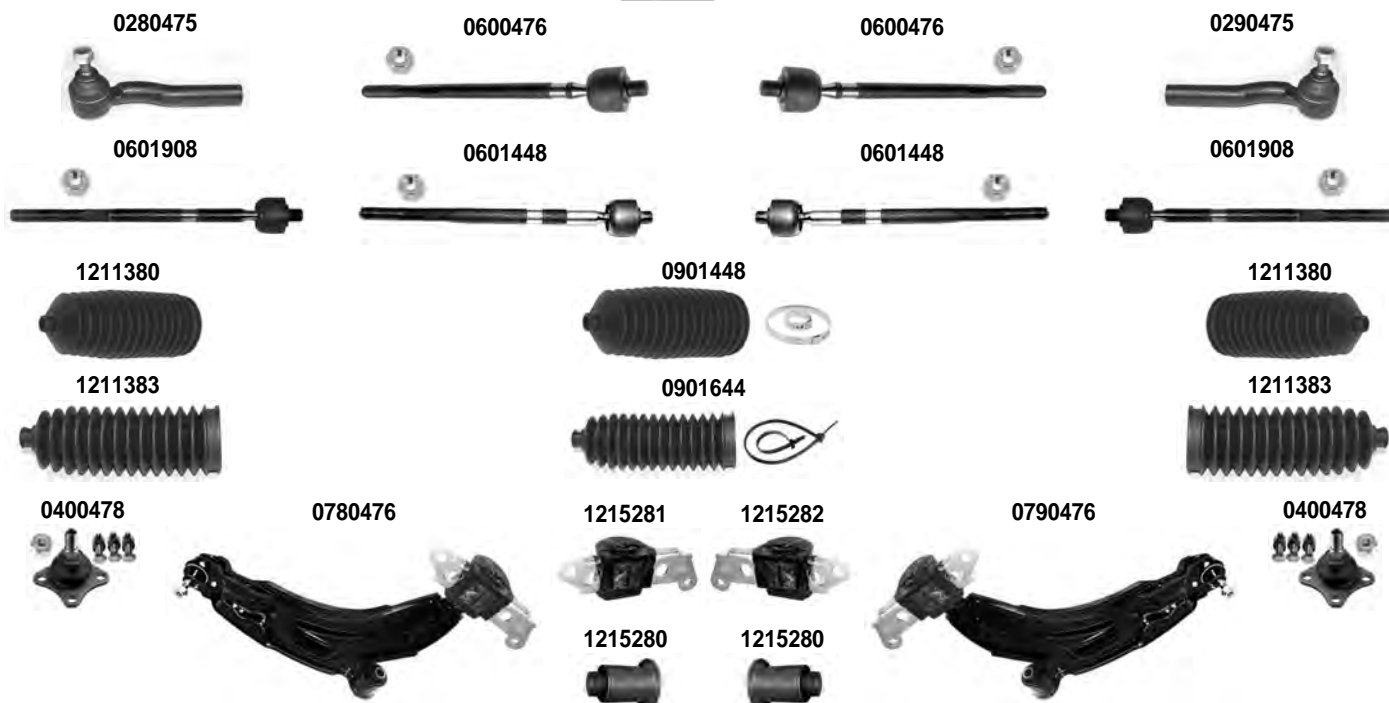
178

1997 >

Asse Anteriore



Front Axle



i 1) STERZO MANUALE - MANUAL STEERING 3) > 09/1999	2) SERVOSTERZO - POWER STEERING 4) 10/1999 >
--	---

OCAP	O.E.			
0280475	46456660	TESTA STERZO TIE ROD END		RHT M14 x 1,5
0290475	46456189	TESTA STERZO TIE ROD END		RHT M14 x 1,5
0400478	46454599	SNODO SOSPENSIONE BALL JOINT		DIAM. 13 mm.
0600476	7079388	SNODO ASSIALE AXIAL JOINT	1)	RHT M14 x 1,5
0601448	9948292	SNODO ASSIALE AXIAL JOINT	2) 4)	RHT M14 x 1,5
0601908	7079382	SNODO ASSIALE AXIAL JOINT	2) 3)	RHT M14 x 1,5
0780476	46454596	BRACCIO OSCILLANTE TRACK CONTROL ARM	1) 3)	
0790476	46454595	BRACCIO OSCILLANTE TRACK CONTROL ARM	1) 3)	
0901448	7079340	KIT CUFFIA STERZO STEERING GAITER KIT	2) 3)	
0901644	7081850	KIT CUFFIA STERZO STEERING GAITER KIT	2) 4)	
1211380	7079340 *	CUFFIA STERZO STEERING GAITER	2) 3)	
1211383	7081850 *	CUFFIA STERZO STEERING GAITER	2) 4)	
1215280	-	SILENTBLOCK CENTRALE CENTRAL BUSHING		
1215281	-	SILENTBLOCK ESTREMO OUTER BUSHING		
1215282	-	SILENTBLOCK ESTREMO OUTER BUSHING		

DESTRO
RIGHT



SINISTRO
LEFT

PALIO 2V - WEEKEND - SIENA

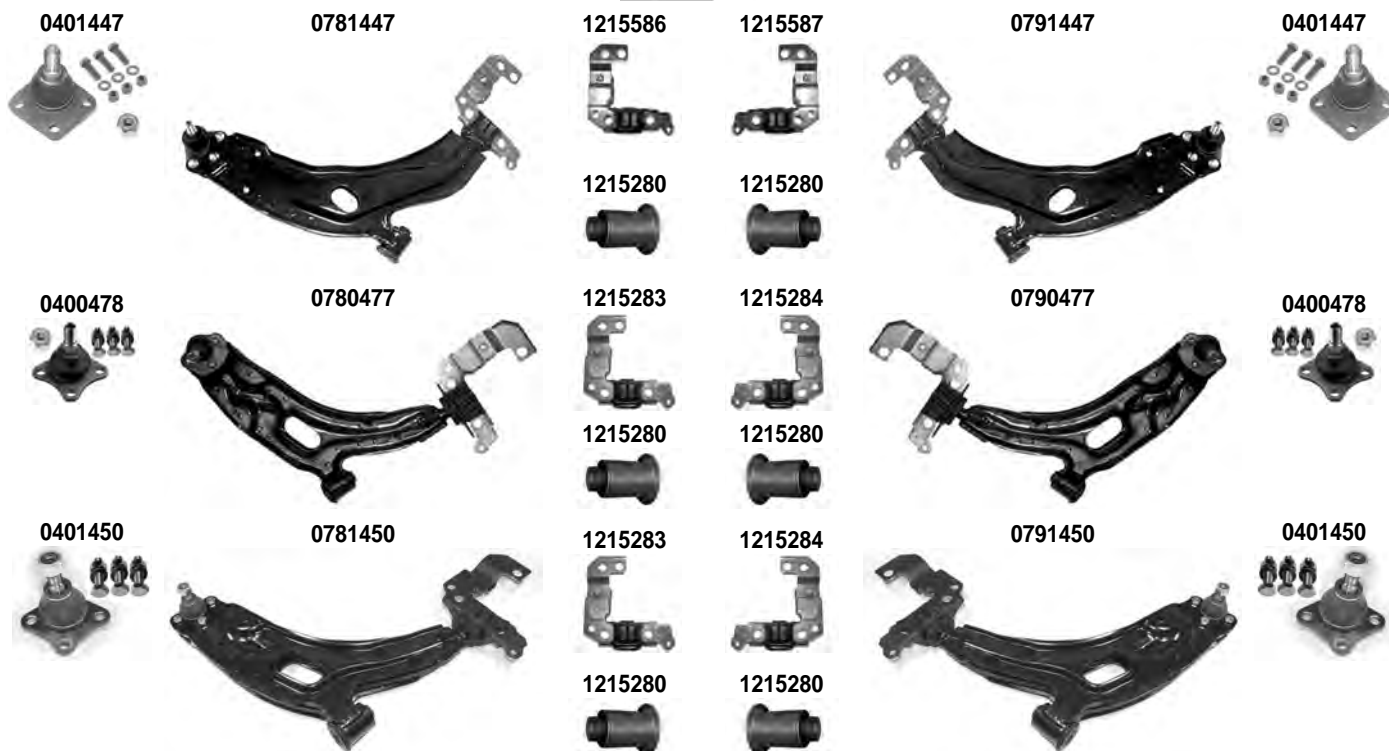
178

1997 >

Asse Anteriore



Front Axle



i 1) STERZO MANUALE - MANUAL STEERING 3) > 09/1999	2) SERVOSTERZO - POWER STEERING 4) 10/1999 >
--	--

OCAP	O.E.		i	
0400478	46454599	SNODO SOSPENSIONE BALL JOINT		DIAM. 13 mm.
0401447	46842581	SNODO SOSPENSIONE BALL JOINT		
0401450	46546776 *	SNODO SOSPENSIONE BALL JOINT		
0780477	46454598	BRACCIO OSCILLANTE TRACK CONTROL ARM	2) 3)	
0781447	51712407	BRACCIO OSCILLANTE TRACK CONTROL ARM	1) 4)	
0781450	46546776	BRACCIO OSCILLANTE TRACK CONTROL ARM	2) 4)	
0790477	46454597	BRACCIO OSCILLANTE TRACK CONTROL ARM	2) 3)	
0791447	51712408	BRACCIO OSCILLANTE TRACK CONTROL ARM	1) 4)	
0791450	46546777	BRACCIO OSCILLANTE TRACK CONTROL ARM	2) 4)	
1215280	-	SILENTBLOCK CENTRALE CENTRAL BUSHING		
1215283	-	SILENTBLOCK ESTREMO OUTER BUSHING		
1215284	-	SILENTBLOCK ESTREMO OUTER BUSHING		
1215586	-	SILENTBLOCK ESTREMO OUTER BUSHING		
1215587	-	SILENTBLOCK ESTREMO OUTER BUSHING		

DESTRO
RIGHT



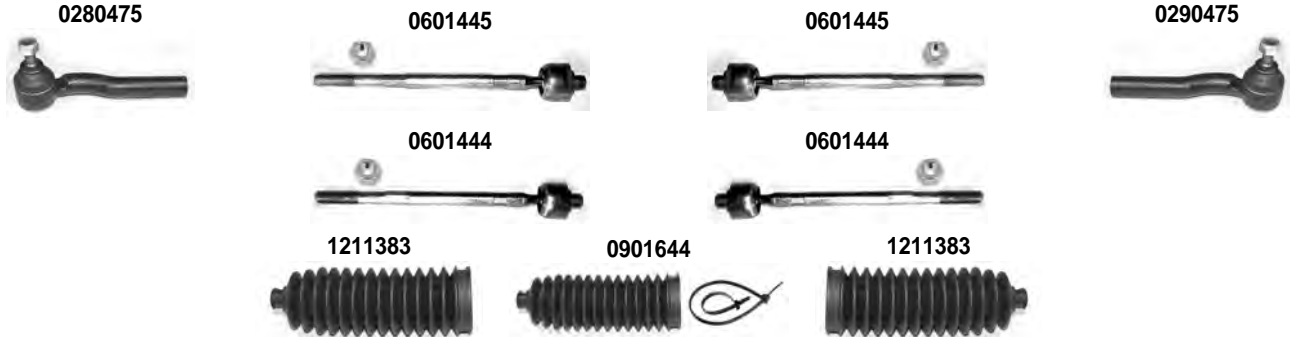
SINISTRO
LEFT

PALIO 2V - WEEKEND - RESTYLING SIENA	178	2002 >
	178	2002 >

Asse Anteriore



Front Axle



i 1) STERZO MANUALE - MANUAL STEERING	2) SERVOSTERZO - POWER STEERING
--	---------------------------------

OCAP	O.E.		i	
0280475	46456660	TESTA STERZO TIE ROD END		RHT M14x1,5
0290475	46456189	TESTA STERZO TIE ROD END		RHT M14x1,5
0601444	7081851	SNODO ASSIALE AXIAL JOINT	2)	RHT M14x1,5
0601445	7081842	SNODO ASSIALE AXIAL JOINT	1)	RHT M14 x 1,5
0901644	7081850	KIT CUFFIA STERZO STEERING GAITER KIT		
1211383	-	CUFFIA STERZO STEERING GAITER		

DESTRO
RIGHT



SINISTRO
LEFT

PALIO 2V - WEEKEND - RESTYLING SIENA	178 178	2002 > 2002 >
---	------------	------------------

Asse Anteriore



Front Axle



i 3) SOLO PER - ONLY FOR: MOD. PALIO 2V 1596 16V CF3

OCAP	O.E.		i	
0400478	46454599	SNODO SOSPENSIONE SUSPENSION JOINT	3)	
0401447	46842581	SNODO SOSPENSIONE SUSPENSION JOINT		
0780477	46454598	BRACCIO OSCILLANTE TRACK CONTROL ARM	3)	
0781447	51712407	BRACCIO OSCILLANTE TRACK CONTROL ARM		
0790477	46454597	BRACCIO OSCILLANTE TRACK CONTROL ARM	3)	
0791447	51712408	BRACCIO OSCILLANTE TRACK CONTROL ARM		
1215280	-	SILENTBLOCK CENTRALE OUTER BUSHING		
1215283	-	SILENTBLOCK ESTREMO OUTER BUSHING		
1215284	-	SILENTBLOCK ESTREMO OUTER BUSHING		
1215586	-	SILENTBLOCK ESTREMO OUTER BUSHING		
1215587	-	SILENTBLOCK ESTREMO OUTER BUSHING		

DESTRO
RIGHT

 SINISTRO
LEFT

PANDA

141

1980 > 2004

Asse Anteriore



Front Axle



i 1) > 10/1982
 3) SOLO PER - ONLY FOR: MOD. 4 x 4

2) 11/1982 >

OCAP	O.E.		i	
0280293	4402277	TESTA STERZO TIE ROD END	1)	RHT M14x1
0280299	5960835	TESTA STERZO TIE ROD END	2)	RHT M12x1,5
0400405	4402649	SNODO SOSPENSIONE BALL JOINT		
0400406	4402649 *	SNODO SOSPENSIONE MODIFICATO MODIFIED BALL JOINT		
0600408	4318655	SNODO ASSIALE AXIAL JOINT	1)	RHT M14x1
0600410	5960321	SNODO ASSIALE AXIAL JOINT	2)	RHT M12x1,5
0700278	5976943	SUPPORTO SOSPENSIONE ARM BRACKET	3)	
0700575	4408138	SUPPORTO SOSPENSIONE ARM BRACKET		
0901159	9939574	KIT CUFFIE STERZO STEERING GAITER KIT		
1211059	4371156	CUFFIA STERZO STEERING GAITER		
1211060	4371155	CUFFIA STERZO STEERING GAITER		

DESTRO
RIGHT



SINISTRO
LEFT

PANDA	141	1980 > 2004
--------------	-----	-------------

Asse Anteriore



Front Axle



Asse Posteriore



Rear Axle



OCAP	O.E.			
0300404	4402672	BRACCIO OSCILLANTE TRACK CONTROL ARM		
0701290	4401813	SUPPORTO BALESTRA LEAF SPRING SUPPORT		
0901291	4401813 *	KIT SUPPORTO BALESTRA KIT LEAF SPRING SUPPORT		
1214003	4288726	SILENTBLOCK BUSHING		
1215343	-	SILENTBLOCK BRACCIO CONTROL ARM BUSHING		
1215354	4448132	BOCCOLA BARRA STABILIZZATRICE STABILIZING BAR BUSHING		DIAM. 17 mm.
1215381	7592476	BOCCOLA BARRA STABILIZZATRICE STABILIZING BAR BUSHING		DIAM. 17 mm.
1215382	7548992	BOCCOLA BARRA STABILIZZATRICE STABILIZING BAR BUSHING		DIAM. 15 mm.
1249278	4402675	MENSOLA BARRA STABILIZZATRICE BRACKET FOR STABILIZING BAR		
1249279	4402674	MENSOLA BARRA STABILIZZATRICE BRACKET FOR STABILIZING BAR		

DESTRO
RIGHT

 SINISTRO
LEFT

PANDA

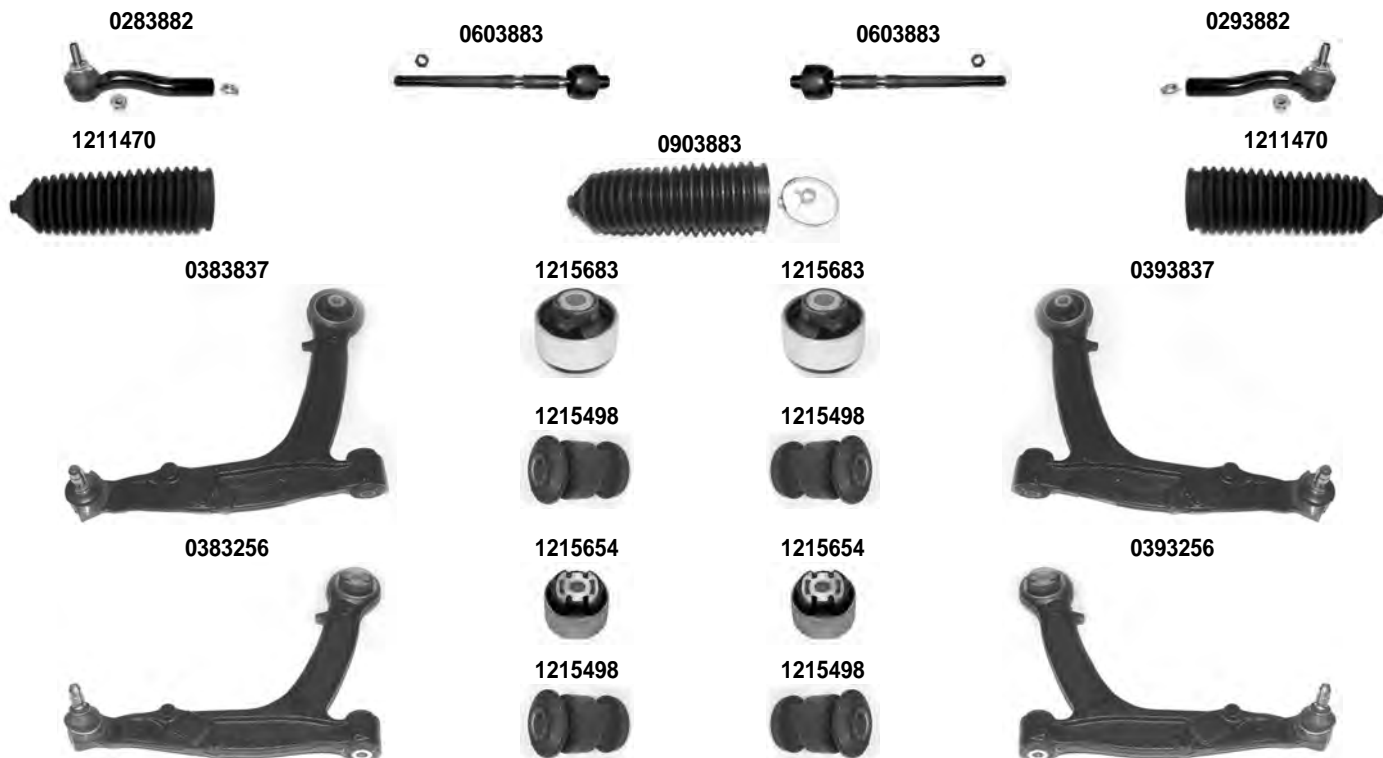
169

2003 > 2011

Asse Anteriore



Front Axle


i 1) ECCEETTO - EXCEPT: MOD. 1.4 16V

2) SOLO PER - ONLY FOR: MOD. 1.4 16V

OCAP	O.E.		
0283882	77362508	TESTA STERZO TIE ROD END	RHT M12x1,5
0293882	77362507	TESTA STERZO TIE ROD END	RHT M12x1,5
0383256	51857136	BRACCIO OSCILLANTE TRACK CONTROL ARM	2)
0383837	51857134	BRACCIO OSCILLANTE TRACK CONTROL ARM	1)
0393256	51857135	BRACCIO OSCILLANTE TRACK CONTROL ARM	2)
0393837	51857133	BRACCIO OSCILLANTE TRACK CONTROL ARM	1)
0603883	77362506	SNODO ASSIALE AXIAL JOINT	RHT M12x1,5
0903883	77362509	KIT CUFFIE STERZO STEERING GAITER KIT	
1211470	77362509 *	CUFFIA STERZO STEERING GAITER	
1215498	-	SILENTBLOCK CENTRALE CENTRAL BUSHING	
1215654	-	SILENTBLOCK ESTREMO OUTER BUSHING	
1215683	-	SILENTBLOCK ESTREMO OUTER BUSHING	

DESTRO
RIGHT



SINISTRO
LEFT

PANDA	169	2003 > 2011
--------------	-----	-------------

Asse Anteriore



Front Axle

0903838

0503838



0503838



Asse Posteriore



Rear Axle

0502740



0502740



i 3) SOLO PER - ONLY FOR: MOD. 4x4

OCAP	O.E.		i	
0502740	51856959	STABILIZZATORE STABILIZER LINK	3)	
0503838	50703296	STABILIZZATORE STABILIZER LINK		
0903838	51857134 *	KIT BRACCI OSCILLANTI CONTROL ARMS KIT		

DESTRO
RIGHT

 SINISTRO
LEFT

PANDA

312 - 319

2012 >

Asse Anteriore



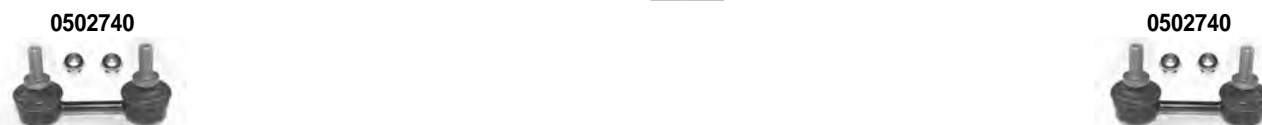
Front Axle



Asse Posteriore



Rear Axle


i 1) SOLO PER - ONLY FOR: MOD. 4x4

OCAP	O.E.		i	
0286493	77365815	TESTA STERZO TIE ROD END		RHT M12x1,5
0406493	51905058 *	SNODO SOSPENSIONE - INFERIORE BALL JOINT - LOWER		
0502686	51801136	STABILIZZATORE STABILIZER LINK		
0502740	51856959	STABILIZZATORE STABILIZER LINK	1)	
0786493	51928527	BRACCIO OSCILLANTE - INFERIORE TRACK CONTROL ARM - LOWER		
0796493	51928536	BRACCIO OSCILLANTE - INFERIORE TRACK CONTROL ARM - LOWER		
0903883	77362509	KIT CUFFIA STERZO STEERING GAITER KIT		
1211470	77362509 *	CUFFIA STERZO STEERING GAITER		
1215498	-	SILENTBLOCK CENTRALE CENTRAL BUSHING		
1216057	-	SILENTBLOCK ESTREMO OUTER BUSHING		

DESTRO
RIGHT



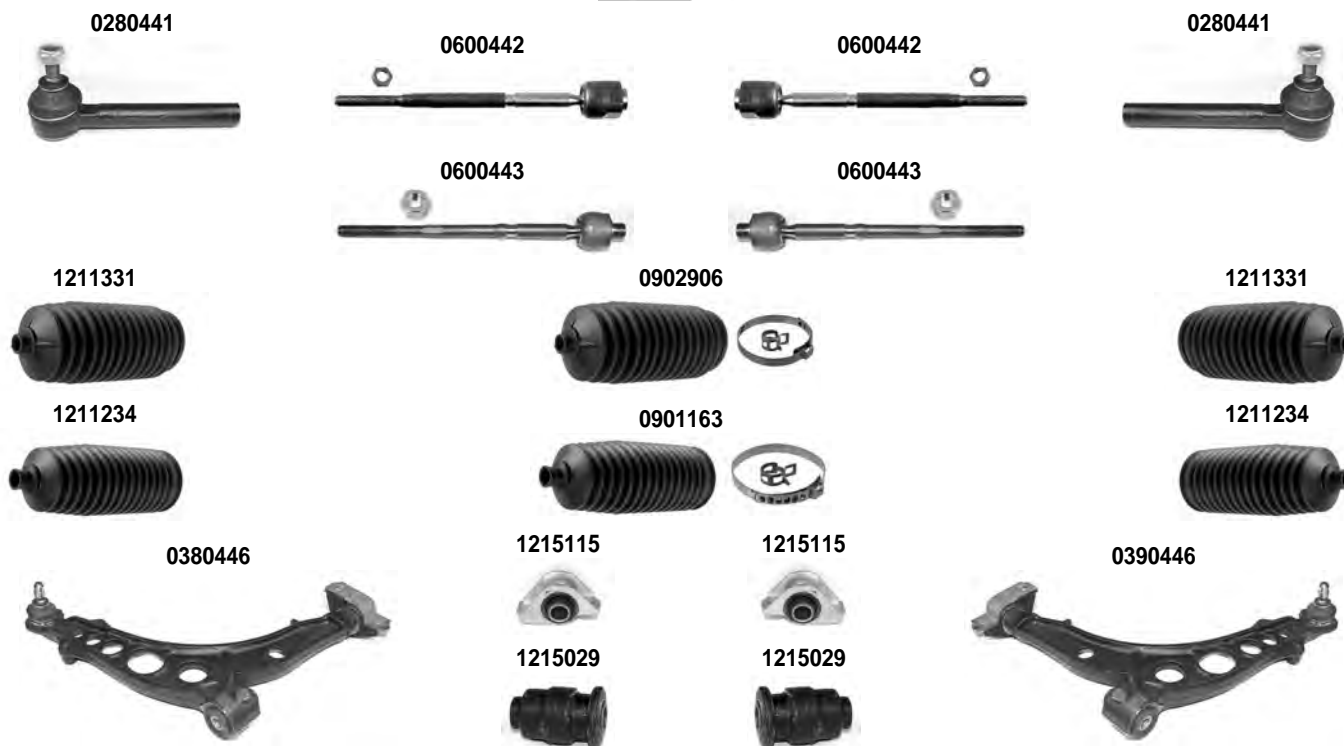
SINISTRO
LEFT

PUNTO	176	1993 > 1999
--------------	-----	-------------

Asse Anteriore



Front Axle



i 1) STERZO MANUALE - MANUAL STEERING	2) SERVOSTERZO - POWER STEERING
--	---------------------------------

OCAP	O.E.		i	
0280441	9946949	TESTA STERZO TIE ROD END		RHT M12x1,5
0380446	46430003	BRACCIO OSCILLANTE TRACK CONTROL ARM		
0390446	46430002	BRACCIO OSCILLANTE TRACK CONTROL ARM		
0600442	9946948	SNODO ASSIALE AXIAL JOINT	1)	RHT M12x1,5
0600443	9945562	SNODO ASSIALE AXIAL JOINT	2)	RHT M12x1,5
0901163	9945564	KIT CUFFIE STERZO STEERING GAITER KIT	2)	
0902906	9946947	KIT CUFFIE STERZO STEERING GAITER KIT	1)	
1211234	9945564 *	CUFFIA STERZO STEERING GAITER	2)	
1211331	9946947 *	CUFFIA STERZO STEERING GAITER	1)	
1215029	7673581	SILENTBLOCK CENTRALE CENTRAL BUSHING		
1215115	-	SILENTBLOCK ESTREMO OUTER BUSHING		

DESTRO
RIGHT



SINISTRO
LEFT

PUNTO	176	1993 > 1999
--------------	-----	-------------

Asse Anteriore

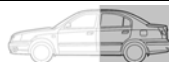


Front Axle

1215417 1215418 1215419



Asse Posteriore



Rear Axle

0382334



0382335



0392335



0392334



0382334-K



0902334



0901910



0392334-K



<p>3) MODELLI SENZA ANTISKID - MODELS WITHOUT ANTISKID</p> <p>3) MODELLI SENZA ANTISKID - MODELS WITHOUT ANTISKID</p>	<p>4) MODELLI CON ANTISKID - MODELS WITH ANTISKID</p>
---	--

OCAP	O.E.		i	
0382334	7736515	BRACCIO OSCILLANTE - GHISA TRACK CONTROL ARM - CAST IRON	3)	
0382335	7769901	BRACCIO OSCILLANTE - GHISA TRACK CONTROL ARM - CAST IRON	4)	
0392334	7736514	BRACCIO OSCILLANTE - GHISA TRACK CONTROL ARM - CAST IRON	3)	
0392335	7769900	BRACCIO OSCILLANTE - GHISA TRACK CONTROL ARM - CAST IRON	4)	
0901910	7736515 *	KIT RIPARAZIONE COMPLETO BRACCIO OSCILLANTE COMPLETE REPAIRING KIT CONTROL ARM		
0902334	7719062 *	KIT RIPARAZIONE BRACCIO OSCILLANTE REPAIRING KIT CONTROL ARM		
1215417	7780450	BOCCOLA BARRA STABILIZZATRICE STABILIZING BAR BUSHING		DIAM. 19 mm.
1215418	7750982	BOCCOLA BARRA STABILIZZATRICE STABILIZING BAR BUSHING		DIAM. 21 mm.
1215419	7750983	BOCCOLA BARRA STABILIZZATRICE STABILIZING BAR BUSHING		DIAM. 22 mm.
0382334-K	7736515 *	BRACCIO OSCILLANTE CON KIT- GHISA TRACK CONTROL ARM WITH KIT - CAST IRON	3)	
0392334-K	7736514 *	BRACCIO OSCILLANTE CON KIT- GHISA TRACK CONTROL ARM WITH KIT - CAST IRON	3)	

DESTRO
RIGHT



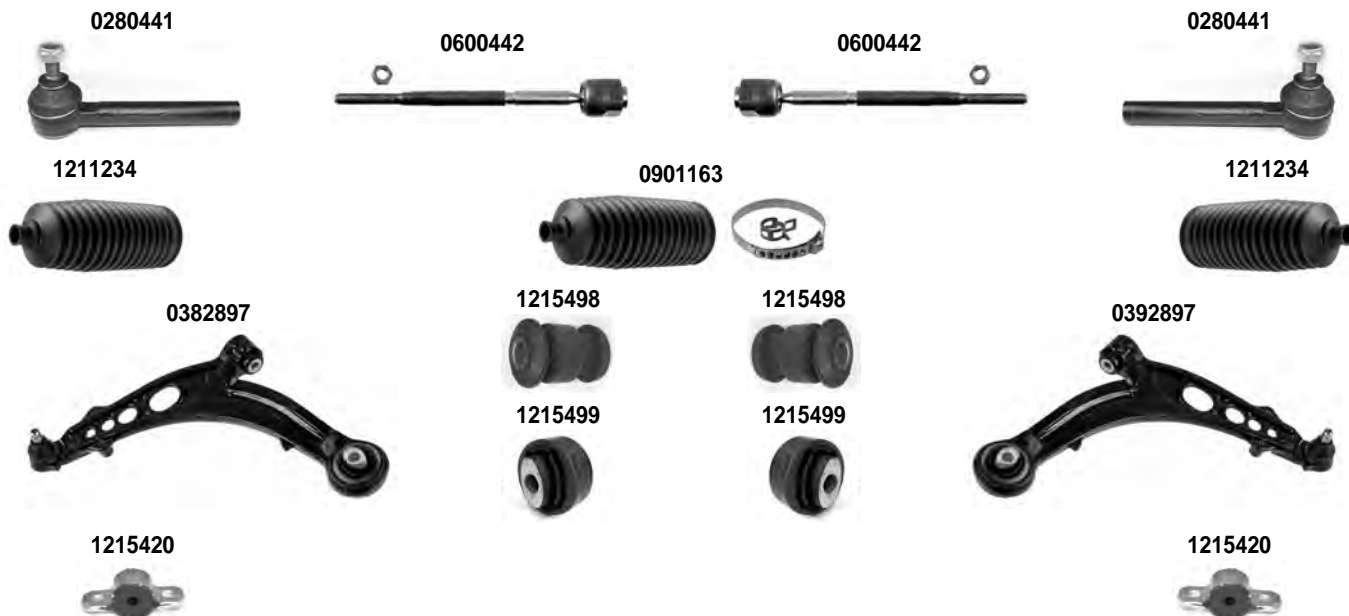
SINISTRO
LEFT

PUNTO	188	1999 > 2012
--------------	-----	-------------

Asse Anteriore



Front Axle



Asse Posteriore



Rear Axle

1216368



1216368



i 1) ESCLUSO - EXCEPT: MOD. 1.2 8V

OCAP	O.E.		i	
0280441	9946949	TESTA STERZO TIE ROD END		RHT M12x1,5
0382897	46545661	BRACCIO OSCILLANTE TRACK CONTROL ARM		
0392897	46545660	BRACCIO OSCILLANTE TRACK CONTROL ARM		
0600442	9946948	SNODO ASSIALE AXIAL JOINT		RHT M12x1,5
0901163	9945564	KIT CUFFIE STERZO STEERING GAITER KIT	1)	
1211234	9945564 *	CUFFIA STERZO STEERING GAITER	1)	
1215420	7750990	SUPPORTO BARRA STABILIZZATRICE STABILIZING BAR SUPPORT		
1215498	-	SILENTBLOCK CENTRALE CENTRAL BUSHING		
1215499	-	SILENTBLOCK ESTREMO OUTER BUSHING		
1216368	46761280	SILENTBLOCK BUSHING		

DESTRO
RIGHT



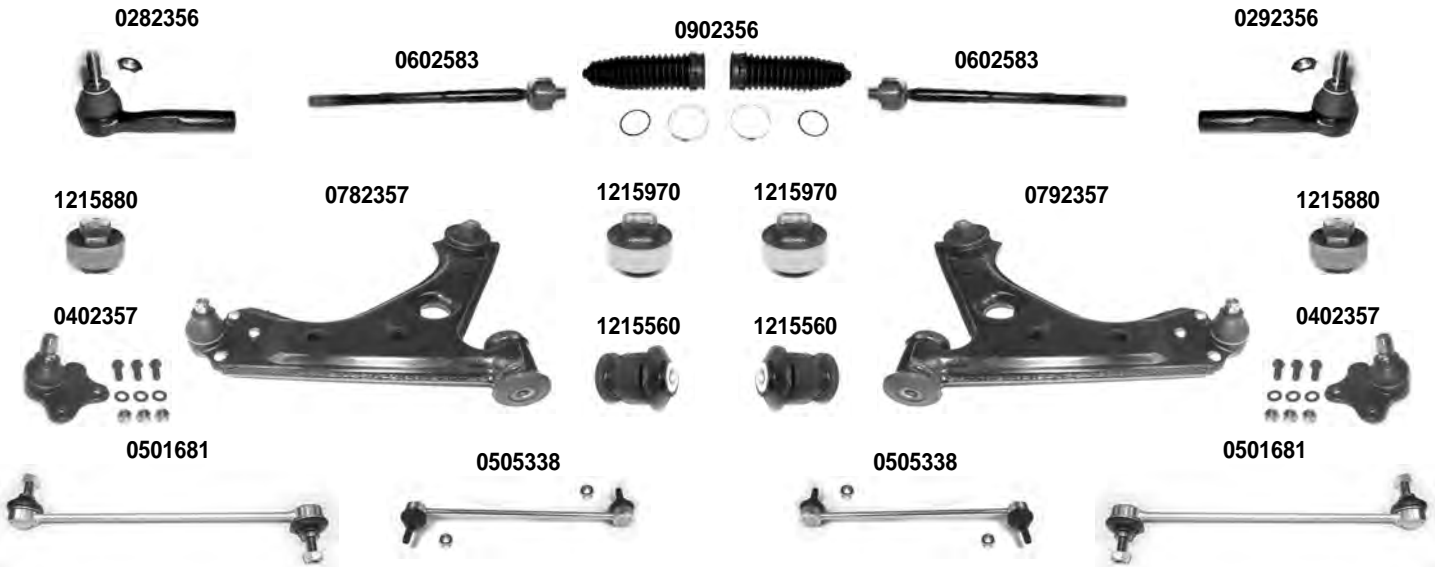
SINISTRO
LEFT

GRANDE PUNTO	199	2005 >
PUNTO EVO	199	2009 > 2012
PUNTO	199	2012 >

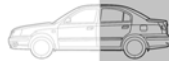
Asse Anteriore



Front Axle



Asse Posteriore



Rear Axle



i 1) > 04/2010	2) 04/2010 >
-----------------------	--------------

OCAP	O.E.		i	
0282356	77363830	TESTA STERZO TIE ROD END		RHT M14x1,5
0292356	77363829	TESTA STERZO TIE ROD END		RHT M14x1,5
0402357	50511650 *	SNODO SOSPENSIONE BALL JOINT		
0501681	55700753	STABILIZZATORE STABILIZER LINK	1)	
0505338	50515276	STABILIZZATORE STABILIZER LINK	2)	
0602583	51861102 *	SNODO ASSIALE AXIAL JOINT		RHT M14x1,5
0782357	51895366	BRACCIO OSCILLANTE TRACK CONTROL ARM		
0792357	51895367	BRACCIO OSCILLANTE TRACK CONTROL ARM		
0902356	77363828	KIT CUFFIE STERZO STEERING GAITER KIT		
1215560	55703232	SILENTBLOCK CENTRALE CENTRAL BUSHING		
1215880	55700751 *	SILENTBLOCK VECCHIA VERSIONE OUTER BUSHING OLD VERSION		
1215970	55700751	SILENTBLOCK ESTREMO OUTER BUSHING		
1216184	51804551	SILENTBLOCK BUSHING		

DESTRO
RIGHT



SINISTRO
LEFT

RAYTON FISSORE MAGNUM

1984 >

Asse Anteriore



Front Axle

0280515



0280515



0280517



0400518






0400518



0280517



OCAP	O.E.			
0280515	8584193	TESTA STERZO TIE ROD END		RHT M16x1,5
0280517	93802209	SNODO SOSPENSIONE SUSPENSION JOINT		RHT M20x1,5
0400518	93802242	SNODO SOSPENSIONE - SUPERIORE - INFERIORE SUSPENSION JOINT - UPPER - LOWER		

DESTRO
RIGHT

 SINISTRO
LEFT

RITMO - REGATA

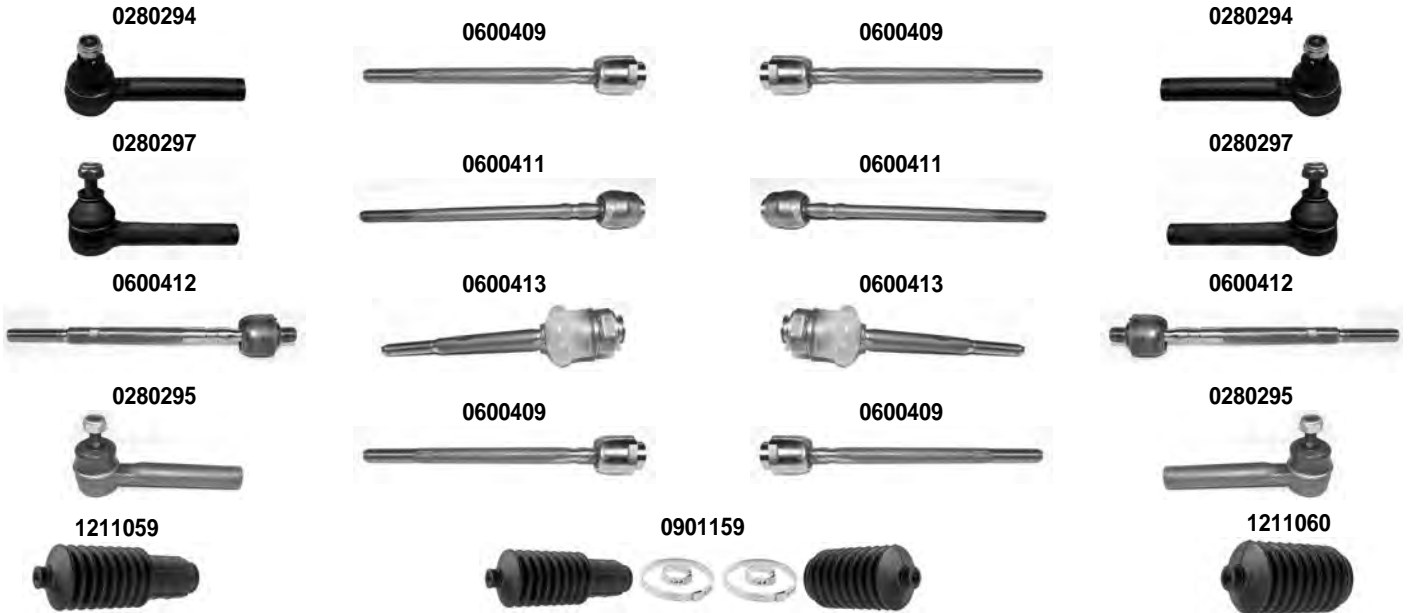
138-149

1978 >

Asse Anteriore



Front Axle



1) > 1983 3) STERZO MANUALE - MANUAL STEERING 5) SOLO PER - ONLY FOR: MOD. SUD AMERICA - SOUTH AMERICA 7) SOLO PER - ONLY FOR: MOD. RITMO	2) 1984 > 4) SERVOSTERZO - POWER STEERING 6) SOLO PER - ONLY FOR: RITMO 125-130 TC
--	--

OCAP	O.E.		i	
0280294	4410415	TESTA STERZO TIE ROD END	1)	RHT M14x1,5
0280295	5938137	TESTA STERZO TIE ROD END	6)	RHT M14x1,5
0280297	5960036	TESTA STERZO TIE ROD END	2)	RHT M12x1,5
0600409	4322913	SNODO ASSIALE AXIAL JOINT	1)	RHT M14x1,5
0600411	5958274	SNODO ASSIALE AXIAL JOINT	2) 3)	RHT M12x1,5
0600412	9939038	SNODO ASSIALE AXIAL JOINT	2) 4)	RHT M12x1,5
0600413	5983313	SNODO ASSIALE AXIAL JOINT	2) 5)	RHT M12x1,5
0901159	9939582	KIT CUFFIE STERZO STEERING GAITER KIT	1) 7)	
1211059	4371156	CUFFIA STERZO STEERING GAITER	1) 7)	
1211060	4371155	CUFFIA STERZO STEERING GAITER	1) 7)	

DESTRO
RIGHT



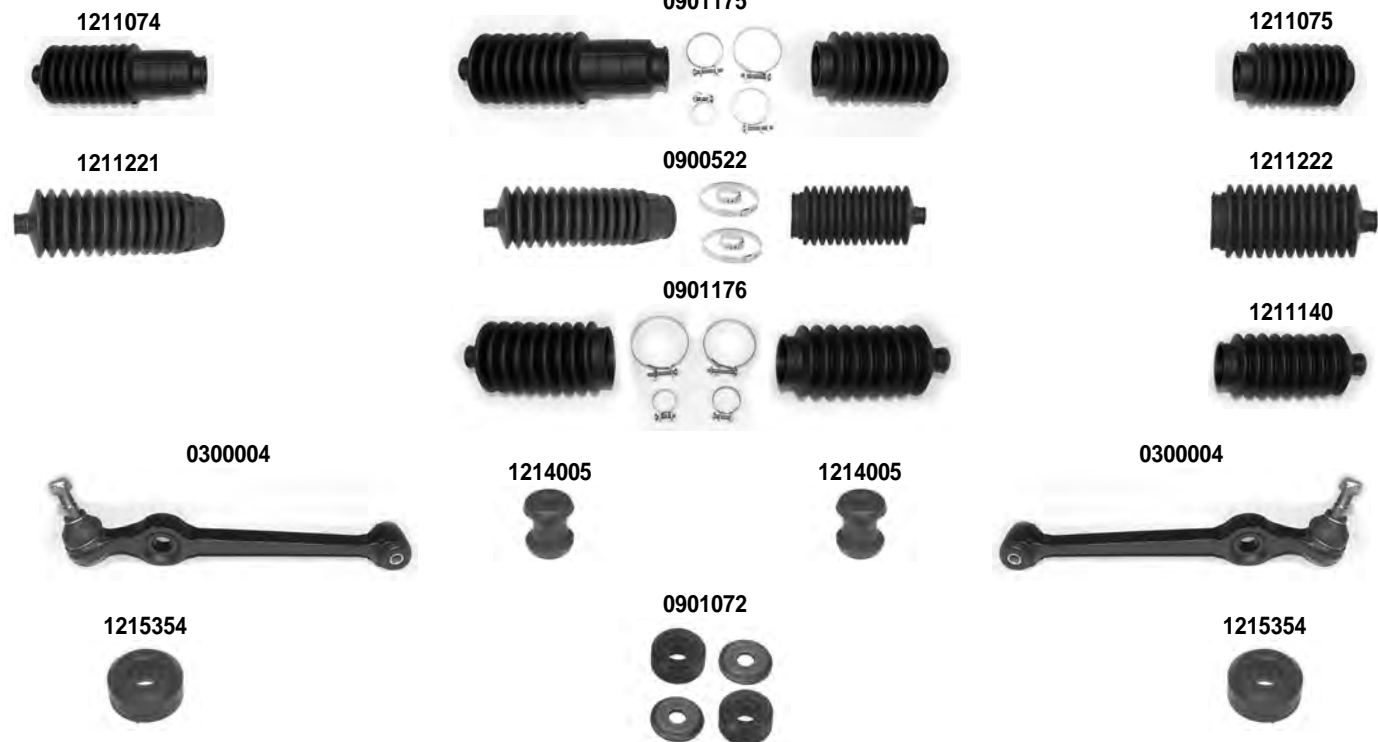
SINISTRO
LEFT

RITMO - REGATA	138-149	1978 >
-----------------------	---------	--------

Asse Anteriore



Front Axle



i 3) STERZO MANUALE - MANUAL STEERING 8) SOLO PER - ONLY FOR: MOD. 1.8 - 2.0	4) SERVOSTERZO - POWER STEERING
--	---------------------------------

OCAP	O.E.		i	
0300004	7535188	BRACCIO OSCILLANTE TRACK CONTROL ARM		
0900522	9938779	KIT CUFFIE STERZO STEERING GAITER KIT	4)	
0901072	7544738 *	KIT BOCCOLE BRACCIO OSCILLANTE REPAIRING KIT CONTROL ARM		DIAM. 14 mm.
0901175	7583243 *	KIT CUFFIE STERZO STEERING GAITER KIT	3)	
0901176	-	KIT CUFFIE STERZO STEERING GAITER KIT	4) 8)	
1211074	7583243	CUFFIA STERZO STEERING GAITER	3)	
1211075	5978637	CUFFIA STERZO STEERING GAITER	3)	
1211140	-	CUFFIA STERZO STEERING GAITER	4) 8)	
1211221	60760026	CUFFIA STERZO STEERING GAITER	4)	
1211222	-	CUFFIA STERZO STEERING GAITER	4)	
1214005	4402362	SILENTBLOCK BUSHING		
1215354	4448132	BOCCOLA BRACCIO OSCILLANTE CONTROL ARM BUSHING		DIAM. 17 mm.

DESTRO
RIGHT



SINISTRO
LEFT

SCUDO

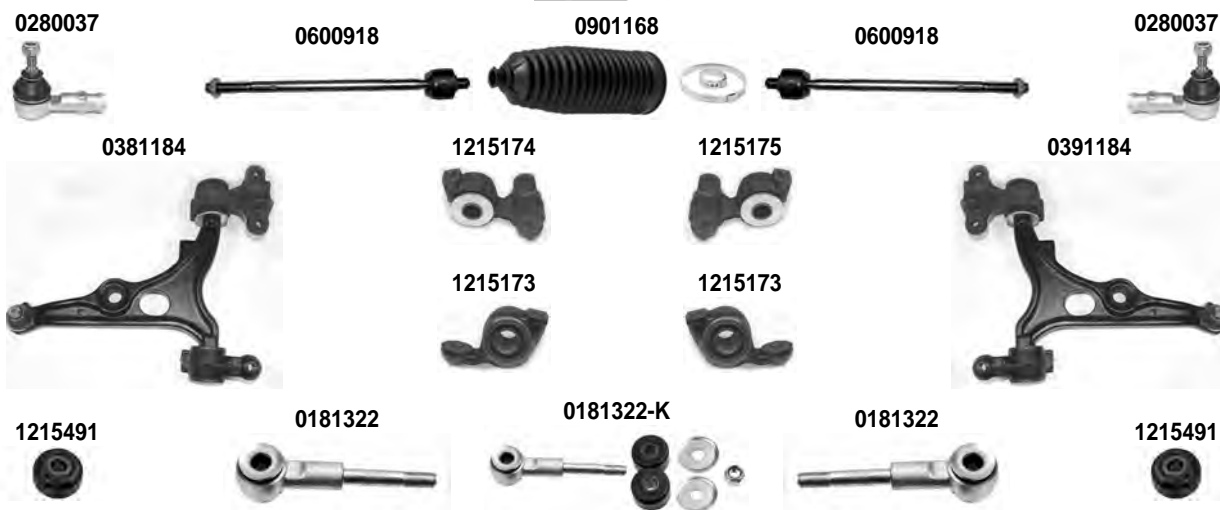
220

1995 > 2003

Asse Anteriore



Front Axle



Asse Posteriore



Rear Axle

1216436



1216436



OCAP	O.E.		
0181322	1317425080	PUNTONE BARRA STABILIZZATRICE STABILIZER LINK	
0280037	1306003080	TESTA STERZO TIE ROD END	RHT M14x1,5
0381184	71737048	BRACCIO OSCILLANTE - INFERIORE TRACK CONTROL ARM - LOWER	
0391184	71737047	BRACCIO OSCILLANTE - INFERIORE TRACK CONTROL ARM - LOWER	
0600918	9947713	SNODO ASSIALE AXIAL JOINT	RHT M14x1,5
0901168	9404066418	KIT CUFFIE STERZO STEERING GAITER KIT	
1215173	3521H1	SILENTBLOCK CENTRALE CENTRAL BUSHING	
1215174	-	SILENTBLOCK ESTREMO OUTER BUSHING	
1215175	-	SILENTBLOCK ESTREMO OUTER BUSHING	
1215491	1313056080	GOMMINO PUNTONE BARRA STABILIZZATRICE RUBBER RING STABILIZER LINK	
1216436	515261	SILENTBLOCK BUSHING	
0181322-K	1317425080 *	KIT PUNTONE BARRA STABILIZZATRICE STABILIZER LINK KIT	

DESTRO
RIGHT



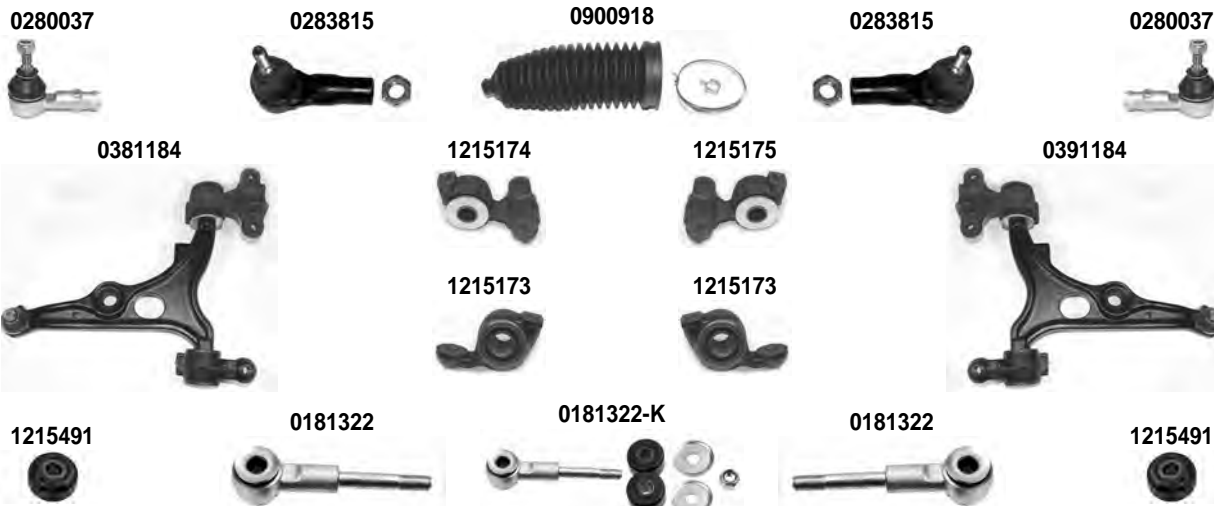
SINISTRO
LEFT

SCUDO	220	2004 > 12/2006
-------	-----	----------------

Asse Anteriore



Front Axle



Asse Posteriore



Rear Axle



i 1)SCATOLE GUIDA - STEERING BOX : 1 315 183 080, 1 318 712 080

OCAP	O.E.		i	
0181322	1317425080	PUNTONE BARRA STABILIZZATRICE STABILIZER LINK		
0280037	1306003080	TESTA STERZO TIE ROD END	1)	RHT M14x1,5
0283815	77362279	TESTA STERZO TIE ROD END		RHT M14x1,5
0381184	71737048	BRACCIO OSCILLANTE - INFERIORE TRACK CONTROL ARM - LOWER		
0391184	71737047	BRACCIO OSCILLANTE - INFERIORE TRACK CONTROL ARM - LOWER		
0900918	77362287	KIT CUFFIE STERZO STEERING GAITER KIT		
1215173	3521H1	SILENTBLOCK CENTRALE CENTRAL BUSHING		
1215174	-	SILENTBLOCK ESTREMO OUTER BUSHING		
1215175	-	SILENTBLOCK ESTREMO OUTER BUSHING		
1215491	1313056080	GOMMINO PUNTONE BARRA STABILIZZATRICE RUBBER RING STABILIZING BAR		
1216436	515261	SILENTBLOCK BUSHING		
0181322-K	1317425080 *	KIT PUNTONE BARRA STABILIZZATRICE STABILIZER LINK KIT		

DESTRO
RIGHT



SINISTRO
LEFT

SCUDO

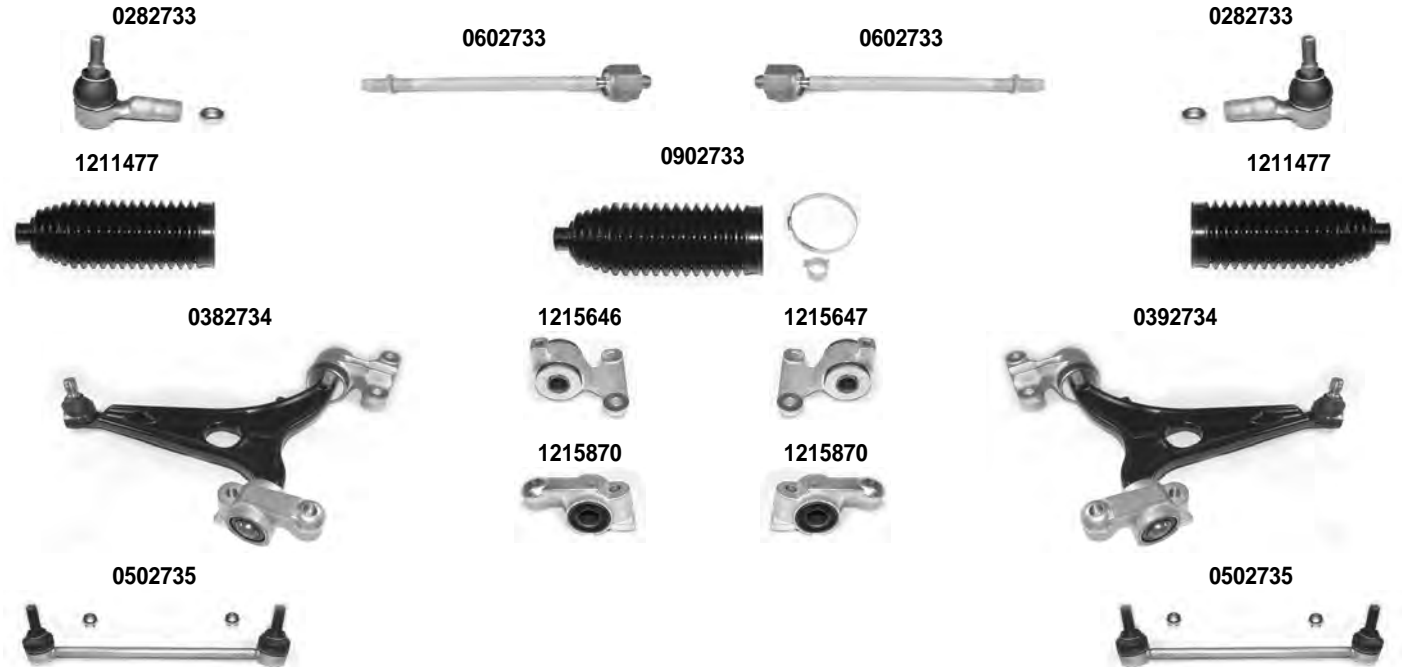
270

01/2007 >

Asse Anteriore



Front Axle



OCAP	O.E.		
0282733	9403817738	TESTA STERZO TIE ROD END	RHT M14x1,5
0382734	1497407080	BRACCIO OSCILLANTE - INFERIORE - ACCIAIO TRACK CONTROL ARM - LOWER - STEEL	
0392734	1497408080	BRACCIO OSCILLANTE - INFERIORE - ACCIAIO TRACK CONTROL ARM - LOWER - STEEL	
0502735	1400099680	STABILIZZATORE STABILIZER LINK	
0602733	1497552080	SNODO ASSIALE AXIAL JOINT	RHT M14x1,5
0902733	9404066838	KIT CUFFIE STERZO STEERING GAITER KIT	
1211477	9404066838 *	CUFFIA STERZO STEERING GAITER	
1215646	1356061080 *	SILENTBLOCK ESTREMO OUTER BUSHING	
1215647	1356060080 *	SILENTBLOCK ESTREMO OUTER BUSHING	
1215870	3521N9 *	SILENTBLOCK CENTRALE CENTRAL BUSHING	

DESTRO
RIGHT



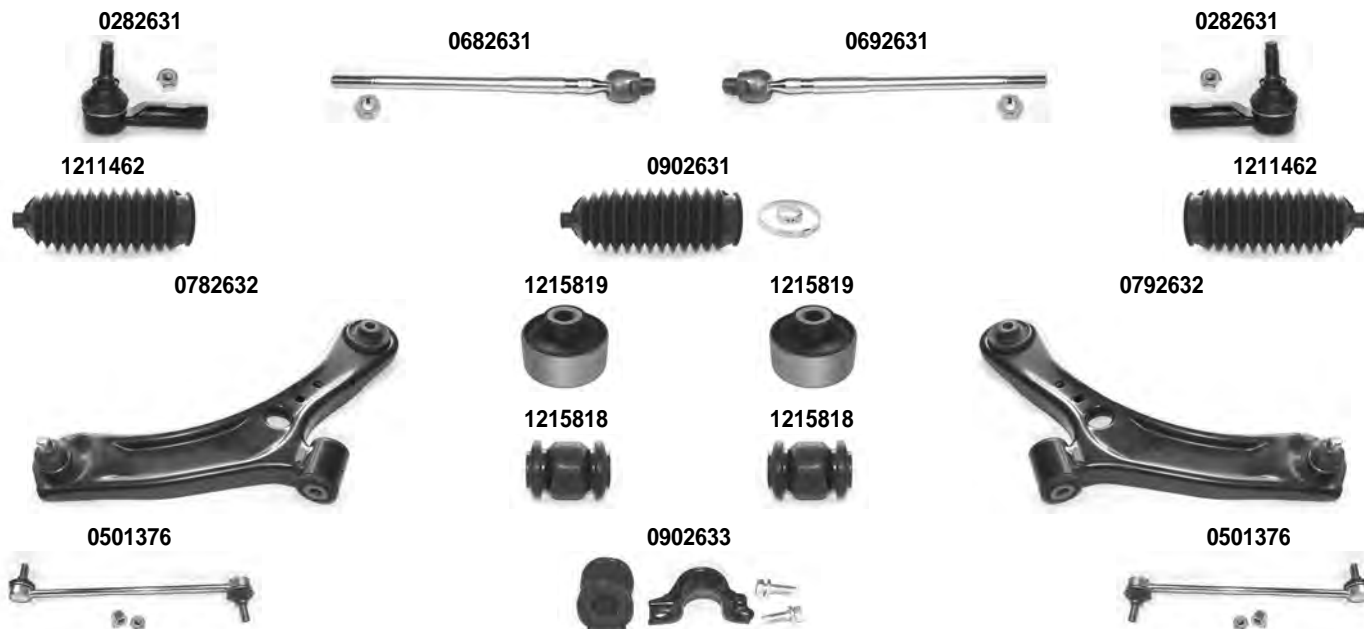
SINISTRO
LEFT

SEDICI	2006 >
--------	--------

Asse Anteriore



Front Axle



OCAP	O.E.		
0282631	71750067	TESTA STERZO TIE ROD END	RHT M14x1,5
0501376	71742688	STABILIZZATORE STABILIZER LINK	
0682631	4883079J00	SNODO ASSIALE AXIAL JOINT	RHT M14x1,5
0692631	4883079J10	SNODO ASSIALE AXIAL JOINT	RHT M14x1,5
0782632	71742731	BRACCIO OSCILLANTE TRACK CONTROL ARM	
0792632	71742732	BRACCIO OSCILLANTE TRACK CONTROL ARM	
0902631	-	KIT CUFFIE STERZO STEERING GAITER KIT	
0902633	71742689 *	KIT BARRA STABILIZZATRICE STABILIZING BAR KIT	
1211462	71742757	CUFFIA STERZO STEERING GAITER	
1215818	71742733	SILENTBLOCK CENTRALE CENTRAL BUSHING	
1215819	-	SILENTBLOCK ESTREMO OUTER BUSHING	

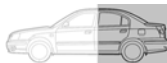
DESTRO
RIGHT



SINISTRO
LEFT

SEDICI		2006 >
--------	--	--------

Asse Posteriore



Rear Axle

1215820



0902634



1215820



1215821



0902635



1215821



OCAP	O.E.		i	
0902634	71746971 *	KIT SILENTBLOCK BUSHING KIT		
0902635	71742291 *	KIT SILENTBLOCK BUSHING KIT		
1215820	71746971	SILENTBLOCK BUSHING		
1215821	71742291	SILENTBLOCK BUSHING		

DESTRO
RIGHT



SINISTRO
LEFT

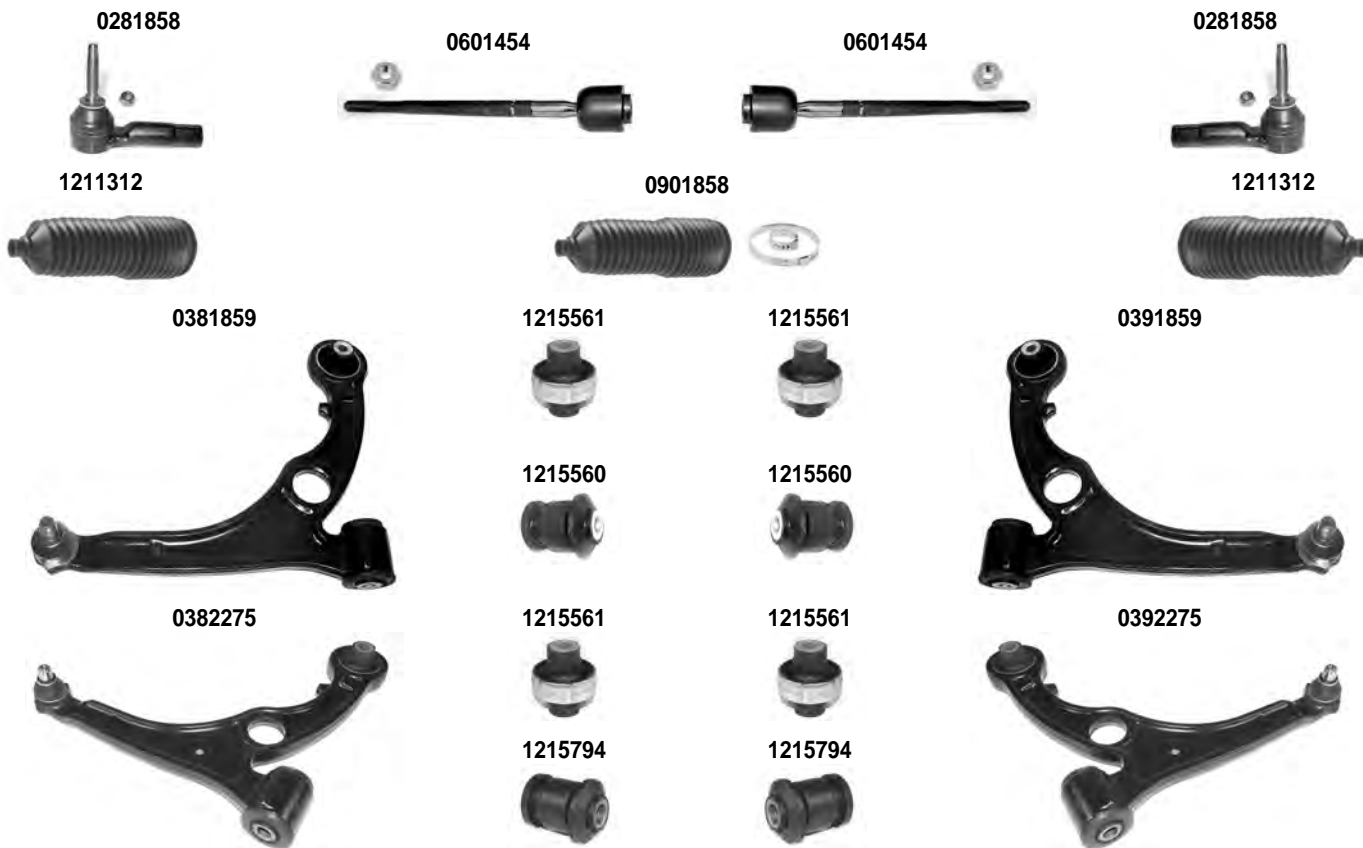
STILO
STILO MULTI WAGON

2001 > 11/2010
01/2003 > 08/2008

Asse Anteriore



Front Axle



i 1) > CH. 495305 - > CH. 495451 2) CH. 495306 > - CH. 495452 > 04/2005

OCAP	O.E.		i	
0281858	9949218	TESTA STERZO TIE ROD END		RHT M14x1,5
0381859	50700779	BRACCIO OSCILLANTE TRACK CONTROL ARM	1)	
0382275	50705084	BRACCIO OSCILLANTE TRACK CONTROL ARM	2)	
0391859	50700797	BRACCIO OSCILLANTE TRACK CONTROL ARM	1)	
0392275	50705083	BRACCIO OSCILLANTE TRACK CONTROL ARM	2)	
0601454	9949217	SNODO ASSIALE AXIAL JOINT		RHT M14x1,5
0901858	9949216	KIT CUFFIE STERZO STEERING GAITER KIT		
1211312	-	CUFFIA STERZO STEERING GAITER		
1215560	55703232	SILENTBLOCK CENTRALE CENTRAL BUSHING		
1215561	50700778	SILENTBLOCK ESTREMO OUTER BUSHING		
1215794	51983599	SILENTBLOCK CENTRALE CENTRAL BUSHING		

DESTRO
RIGHT

 SINISTRO
LEFT

STILO
STILO MULTI WAGON

 2001 > 11/2010
01/2003 > 08/2008

Asse Anteriore



Front Axle



Asse Posteriore



Rear Axle



i 3) 05/2005 >	4) > 12/2007
-----------------------	--------------

OCAP	O.E.		i	
0402268	-	SNODO SOSPENSIONE BALL JOINT		
0502686	51801136	STABILIZZATORE STABILIZER LINK		
0782268	51827737	BRACCIO OSCILLANTE TRACK CONTROL ARM	3)	
0792268	51827736	BRACCIO OSCILLANTE TRACK CONTROL ARM	3)	
1215561	50700778	SILENTBLOCK ESTREMO OUTER BUSHING		
1215562	51840600	SILENTBLOCK BUSHING	4)	
1215794	51983599	SILENTBLOCK CENTRALE CENTRAL BUSHING		

DESTRO
RIGHT



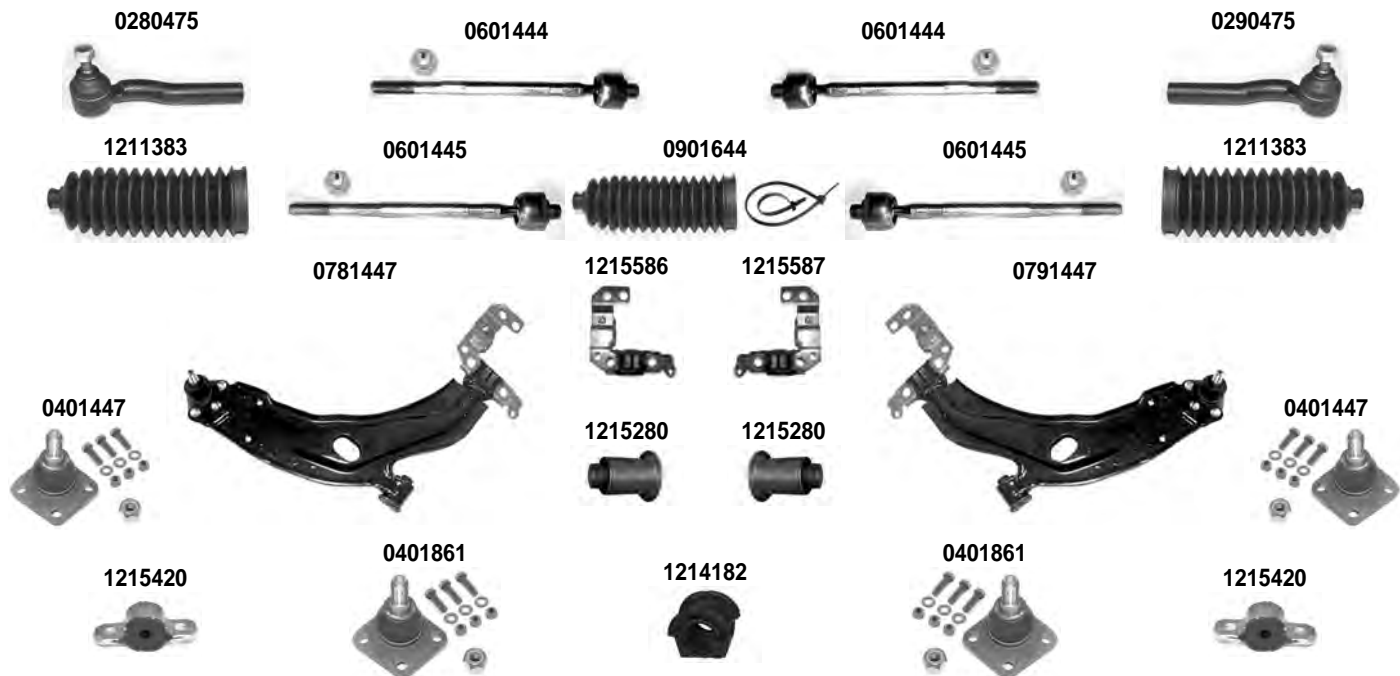
SINISTRO
LEFT

STRADA	1999 >
--------	--------

Asse Anteriore



Front Axle



i 1) SERVOSTERZO - POWER STEERING 3) 07/2001 >	2) STERZO MANUALE - MANUAL STEERING 4) > 07/2001
--	---

OCAP	O.E.		i	
0280475	46456660	TESTA STERZO TIE ROD END		RHT M14 x 1,5
0290475	46456189	TESTA STERZO TIE ROD END		RHT M14 x 1,5
0401447	46842581	SNODO SOSPENSIONE BALL JOINT	3)	
0401861	46543045	SNODO SOSPENSIONE BALL JOINT	4)	
0601444	7081851	SNODO ASSIALE AXIAL JOINT	1)	RHT M14 x 1,5
0601445	7081842	SNODO ASSIALE AXIAL JOINT	2)	RHT M14 x 1,5
0781447	51712407	BRACCIO OSCILLANTE TRACK CONTROL ARM	3)	
0791447	51712408	BRACCIO OSCILLANTE TRACK CONTROL ARM	3)	
0901644	7081850	KIT CUFFIA STERZO STEERING GAITER KIT		
1211383	-	CUFFIA STERZO STEERING GAITER		
1214182	46790552	SILENTBLOCK BARRA STABILIZZATRICE STABILIZING BAR BUSHING		DIAM. 23 mm.
1215280	-	SILENTBLOCK CENTRALE CENTRAL BUSHING		
1215420	7750990	SUPPORTO BARRA STABILIZZATRICE STABILIZING BAR SUPPORT	4)	
1215586	-	SILENTBLOCK ESTREMO OUTER BUSHING		
1215587	-	SILENTBLOCK ESTREMO OUTER BUSHING		

DESTRO
RIGHT

 SINISTRO
LEFT

TIPO - TEMPRA

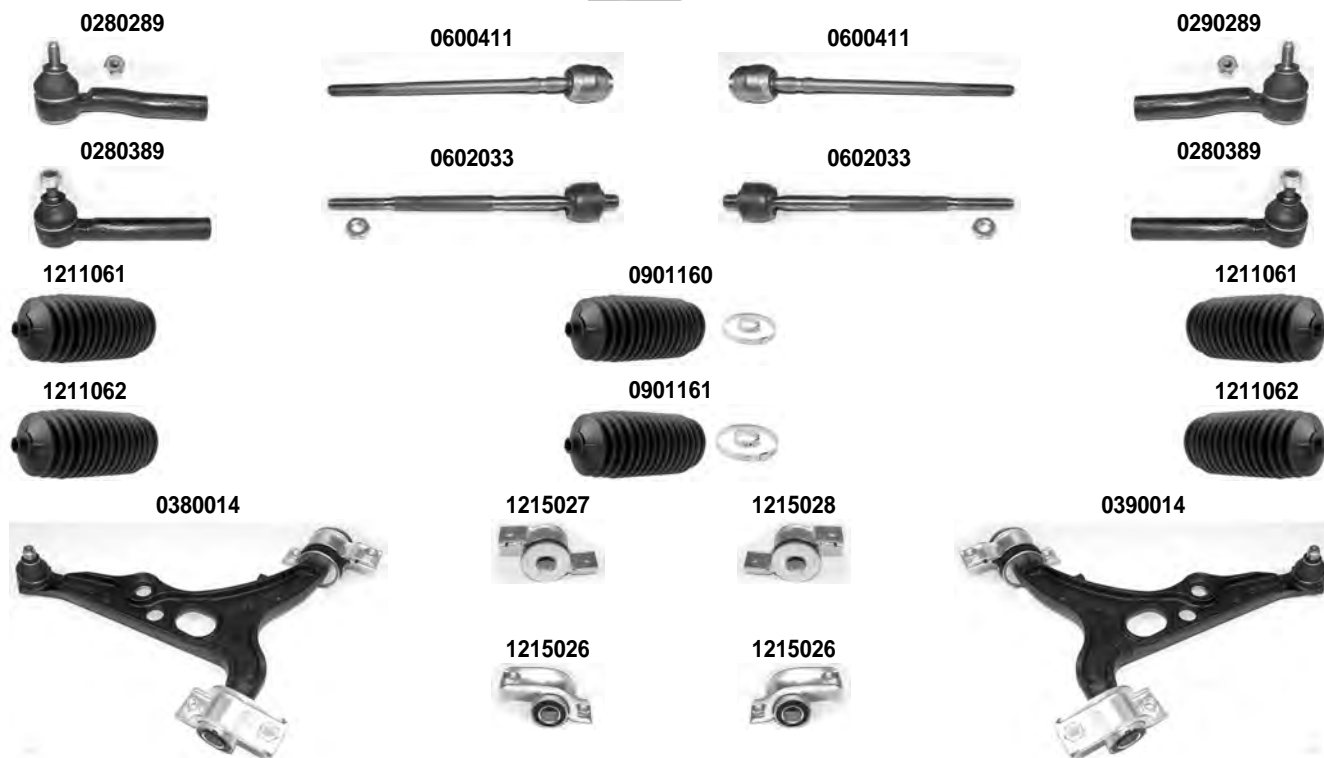
160-159

1988 >

Asse Anteriore



Front Axle



i 1) STERZO MANUALE - MANUAL STEERING 3) SOLO PER - ONLY FOR: MOD. AMERICA	2) SERVOSTERZO - POWER STEERING 4) > 7068090
--	---

OCAP	O.E.		
0280289	9947438	TESTA STERZO TIE ROD END	RHT M12x1,5
0280389	50006262	TESTA STERZO TIE ROD END	3) RHT M12x1,5
0290289	9947437	TESTA STERZO TIE ROD END	RHT M12x1,5
0380014	93501181	BRACCIO OSCILLANTE - GHISA TRACK CONTROL ARM - CAST IRON	4) DIAM. 15 mm.
0390014	93501180	BRACCIO OSCILLANTE - GHISA TRACK CONTROL ARM - CAST IRON	4) DIAM. 15 mm.
0600411	7633721	SNODO ASSIALE AXIAL JOINT	1) RHT M12x1,5
0602033	9941625	SNODO ASSIALE AXIAL JOINT	2) RHT M12x1,5
0901160	-	CUFFIE STERZO STEERING GAITER KIT	1)
0901161	9941582	CUFFIE STERZO STEERING GAITER KIT	2)
1211061	7566840	CUFFIA STERZO STEERING GAITER	1)
1211062	7645160	CUFFIA STERZO STEERING GAITER	2)
1215026	7601064	SILENTBLOCK CENTRALE CENTRAL BUSHING	
1215027	7601068	SILENTBLOCK ESTREMO OUTER BUSHING	
1215028	7601065	SILENTBLOCK ESTREMO OUTER BUSHING	

DESTRO
RIGHT



SINISTRO
LEFT

TIPO - TEMPRA	160-159	1988 >
---------------	---------	--------

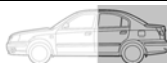
Asse Anteriore



Front Axle



Asse Posteriore



Rear Axle



i 5) 7068090 >

OCAP	O.E.		i	
0181142	60570627	PUNTONE BARRA STABILIZZATRICE STABILIZER LINK		
0380036	7777240	BRACCIO OSCILLANTE TRACK CONTROL ARM	5)	DIAM. 17 mm
0390036	7777239	BRACCIO OSCILLANTE TRACK CONTROL ARM	5)	DIAM. 17 mm
0901911	46459723 *	KIT RIPARAZIONE REPAIRING KIT CONTROL ARM		
1215026	7601064	SILENTBLOCK CENTRALE CENTRAL BUSHING		
1215027	7601068	SILENTBLOCK ESTREMO OUTER BUSHING		
1215028	7601065	SILENTBLOCK ESTREMO OUTER BUSHING		
1215243	7601642	GOMMINO BARRA STABILIZZATRICE RUBBER RING STABILIZING BAR		
0181142-K	60570627 *	KIT PUNTONE BARRA STABILIZZATRICE STABILIZER LINK KIT		

DESTRO
RIGHT



SINISTRO
LEFT

TIPO - EGEA (AEGEA)

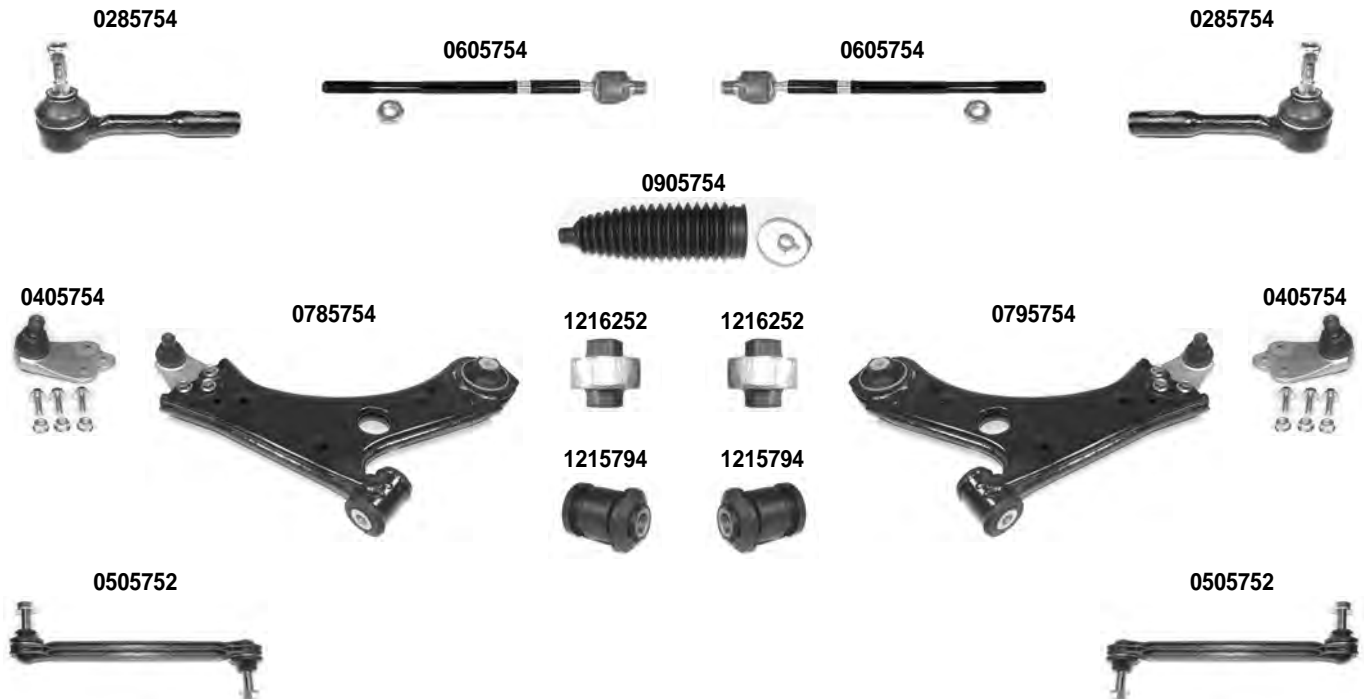
356

10/2015 >

Asse Anteriore



Front Axle



OCAP	O.E.			
0285754	77367379	TESTA STERZO TIE ROD END		RHT M14x1,5
0405754	52026562	SNODO SOSPENSIONE BALL JOINT		
0505752	51939949	STABILIZZATORE STABILIZER LINK		
0605754	77367378 *	SNODO ASSIALE AXIAL JOINT		RHT M14x1,5
0785754	52011612	BRACCIO OSCILLANTE TRACK CONTROL ARM		
0795754	52011614	BRACCIO OSCILLANTE TRACK CONTROL ARM		
0905754	77367380	KIT CUFFIE STERZO STEERING GAITER KIT		
1215794	51983599	SILENTBLOCK CENTRALE CENTRAL BUSHING		
1216252	51983600	SILENTBLOCK ESTREMO OUTER BUSHING		

DESTRO
RIGHT



SINISTRO
LEFT

ULYSSE

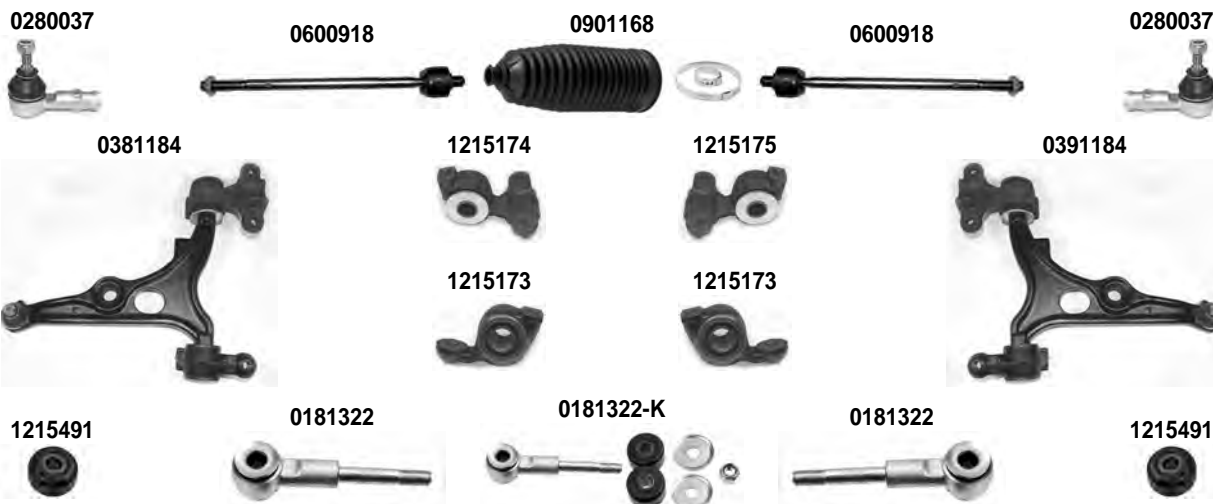
220

1995 > 2002

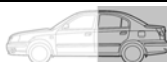
Asse Anteriore



Front Axle



Asse Posteriore



Rear Axle

1216436



1216436



OCAP	O.E.		i	
0181322	1317425080	PUNTONE BARRA STABILIZZATRICE STABILIZER LINK		
0280037	1306003080	TESTA STERZO TIE ROD END		RHT M14x1,5
0381184	71737048	BRACCIO OSCILLANTE - INFERIORE TRACK CONTROL ARM - LOWER		
0391184	71737047	BRACCIO OSCILLANTE - INFERIORE TRACK CONTROL ARM - LOWER		
0600918	9947713	SNODO ASSIALE AXIAL JOINT		RHT M14x1,5
0901168	9404066418	KIT CUFFIE STERZO STEERING GAITER KIT		
1215173	3521H1	SILENTBLOCK CENTRALE CENTRAL BUSHING		
1215174	-	SILENTBLOCK ESTREMO OUTER BUSHING		
1215175	-	SILENTBLOCK ESTREMO OUTER BUSHING		
1215491	1313056080	GOMMINO PUNTONE BARRA STABILIZZATRICE RUBBER RING STABILIZER LINK		
1216436	515261	SILENTBLOCK BUSHING		
0181322-K	1317425080 *	KIT PUNTONE BARRA STABILIZZATRICE STABILIZER LINK KIT		

DESTRO
RIGHT

 SINISTRO
LEFT

ULYSSE

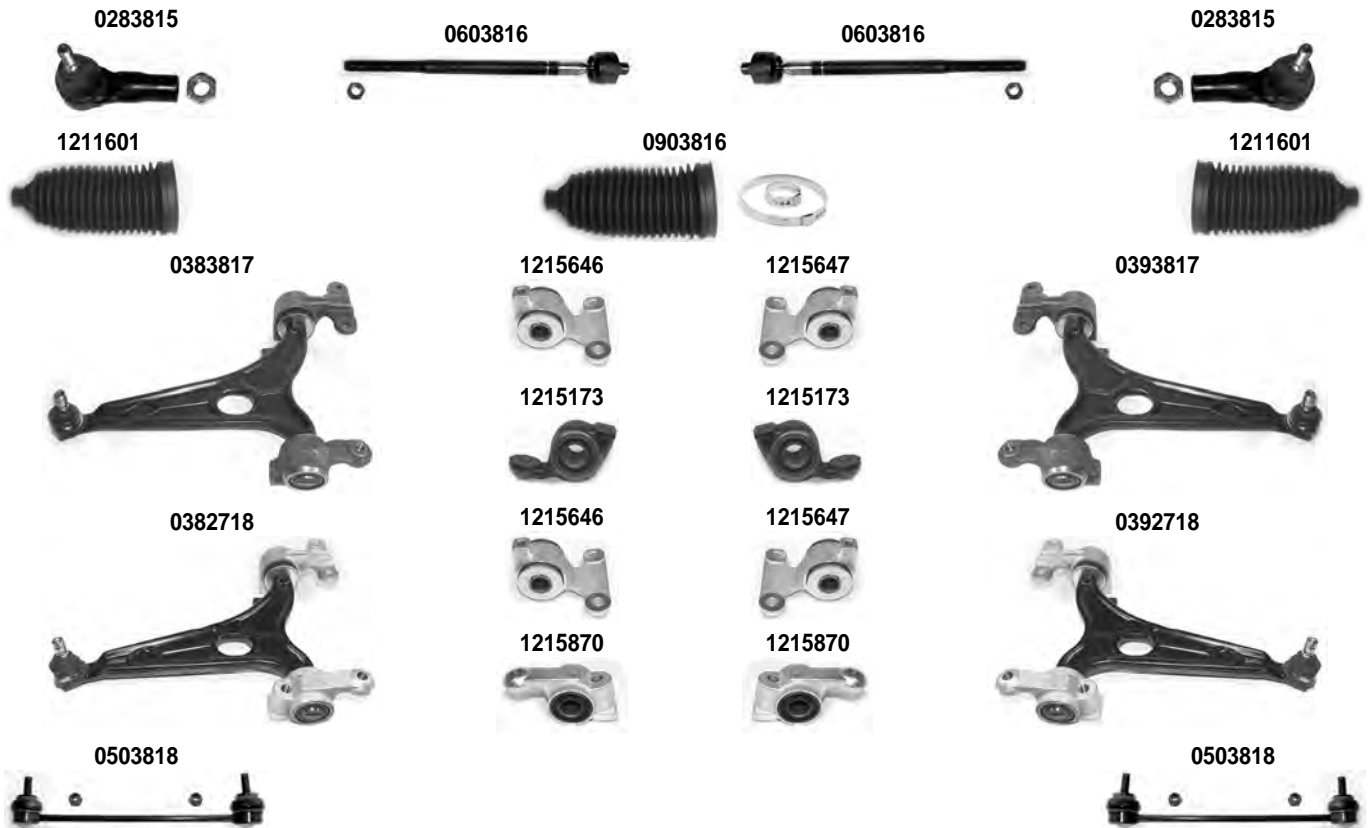
179

2002 >2011

Asse Anteriore



Front Axle



i 1) > 06/2006	2) 07/2006 >
-----------------------	--------------

OCAP	O.E.		i	
0283815	77362279	TESTA STERZO TIE ROD END		RHT M14x1,5
0382718	1356061080	BRACCIO OSCILLANTE - ACCIAIO TRACK CONTROL ARM - STEEL	2)	
0383817	1346385080	BRACCIO OSCILLANTE - ACCIAIO TRACK CONTROL ARM - STEEL	1)	
0392718	1356060080	BRACCIO OSCILLANTE - ACCIAIO TRACK CONTROL ARM - STEEL	2)	
0393817	1346384080	BRACCIO OSCILLANTE - ACCIAIO TRACK CONTROL ARM - STEEL	1)	
0503818	1331209080	STABILIZZATORE STABILIZER LINK		
0603816	77362280	SNODO ASSIALE AXIAL JOINT		RHT M14x1,5
0903816	77362281	KIT CUFFIA STERZO STEERING GAITER KIT		
1211601	77362281 *	CUFFIA STERZO STEERING GAITER		
1215173	3521H1	SILENTBLOCK CENTRALE CENTRAL BUSHING		
1215646	1356061080 *	SILENTBLOCK ESTREMO OUTER BUSHING		
1215647	1356060080 *	SILENTBLOCK ESTREMO OUTER BUSHING		
1215870	3521N9 *	SILENTBLOCK CENTRALE CENTRAL BUSHING		



UNO UNO MONDO	146 158	1983 > 1998 >
--------------------------------	------------	------------------

Asse Anteriore



Front Axle



i 1) SOLO PER - ONLY FOR: MOD. TURBODIESEL	2) SERVOSTERZO - SOLO PER: UNO MONDO - POWER STEERING - ONLY FOR: UNO MONDO
---	---

OCAP	O.E.		i	
0280296	5958246	TESTA STERZO TIE ROD END		RHT M12x1,5
0281326	9947719	TESTA STERZO TIE ROD END	2)	RHT M14x1,5
0600411	5958244	SNODO ASSIALE AXIAL JOINT		RHT M12x1,5
0600413	5983313	SNODO ASSIALE AXIAL JOINT	1)	RHT M12x1,5
0601448	9948292	SNODO ASSIALE AXIAL JOINT	2)	RHT M14x1,5
0901159	9939574	KIT CUFFIE STERZO STEERING GAITER KIT		
1211059	4371156	CUFFIA STERZO STEERING GAITER		
1211060	4371155	CUFFIA STERZO STEERING GAITER		

DESTRO
RIGHT



SINISTRO
LEFT

UNO UNO MONDO	146	1983 >
	158	1998 >

Asse Anteriore



Front Axle



OCAP	O.E.			
0400405	4402649	SNODO SOSPENSIONE <i>BALL JOINT</i>		
0400406	4402649 *	SNODO SOSPENSIONE MODIFICATO <i>MODIFIED BALL JOINT</i>		
0780004	5939685	BRACCIO OSCILLANTE COMPLETO <i>CONTROL ARM COMPLETE</i>		
0790004	5939683	BRACCIO OSCILLANTE COMPLETO <i>CONTROL ARM COMPLETE</i>		
1215029	7673581	SILENTBLOCK CENTRALE <i>CENTRAL BUSHING</i>		
1215030	7673582	SILENTBLOCK ESTREMO <i>OUTER BUSHING</i>		
1215364	7563151	BOCCOLA BARRA STABILIZZATRICE <i>STABILIZING BAR BUSHING</i>		
1215379	7603476	SUPPORTO BARRA STABILIZZATRICE <i>STABILIZING BAR SUPPORT</i>		

DESTRO
RIGHT



SINISTRO
LEFT

X 1/9	128 AS	1972 >
-------	--------	--------

Asse Anteriore



Front Axle



i 1) > 09/1982	2) 10/1982 >
-----------------------	--------------

OCAP	O.E.		i	
0280290	4264735	TESTA STERZO TIE ROD END	1)	RHT M14x1
0280298	7591300	TESTA STERZO TIE ROD END	2)	RHT M12x1,5
0600408	4318655	SNODO ASSIALE AXIAL JOINT	1)	RHT M14x1
0600410	5960321	SNODO ASSIALE AXIAL JOINT	2)	RHT M12x1,5
0901159	9939574	KIT CUFFIE STERZO STEERING GAITER KIT		
1211059	4371156	CUFFIA STERZO STEERING GAITER		
1211060	4371155	CUFFIA STERZO STEERING GAITER		

DESTRO
RIGHT

 SINISTRO
LEFT

 124 /S/ST - 124 FAM. - SEAT
124 SPORT COUPE'/SPYDER - SEAT

 124 B
124 C

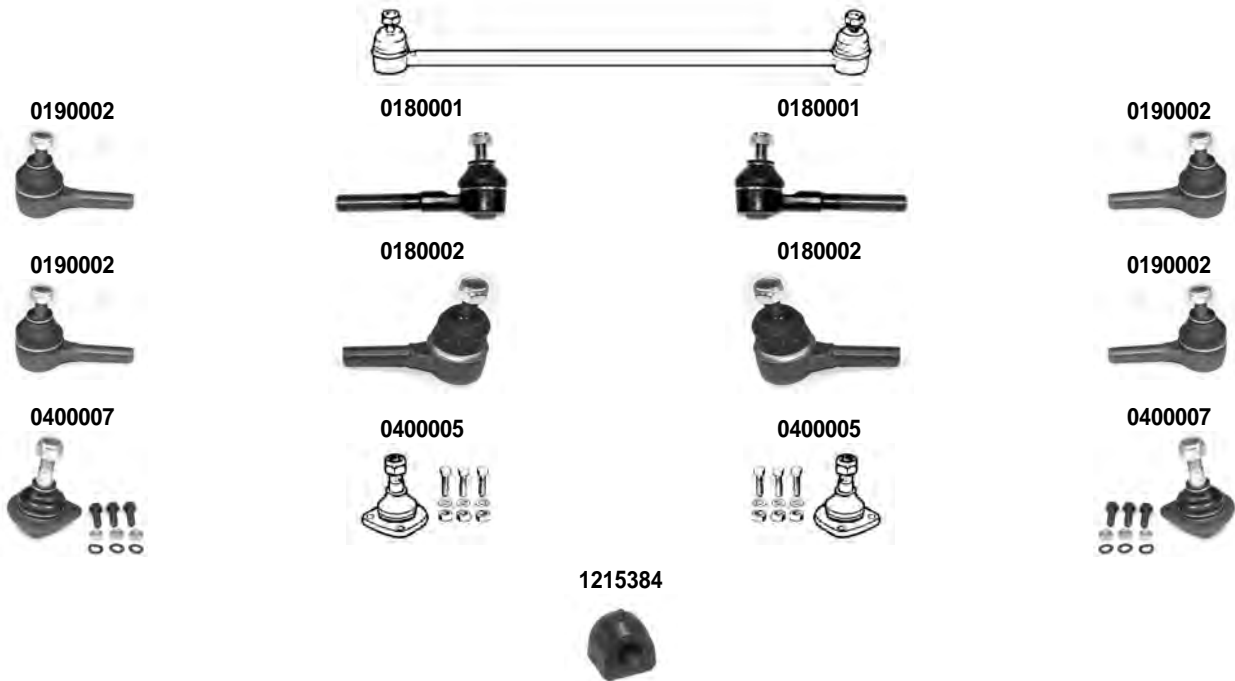
 1966 >
1966 >

Asse Anteriore



Front Axle

0500023



i 1) > 639401		2) 639402 >		
OCAP	O.E.		i	
0180001	4100998	TESTA STERZO - INTERNA TIE ROD END - INNER	1)	RHT M14x1
0180002	4218233	TESTA STERZO - INTERNA TIE ROD END - INNER	2)	RHT M14x1
0190002	4104085	TESTA STERZO - ESTERNA TIE ROD END - OUTER		LHT M14x1
0400005	4355787	SNODO SOSPENSIONE - INFERIORE BALL JOINT - LOWER		
0400007	4365569	SNODO SOSPENSIONE - SUPERIORE BALL JOINT - UPPER		
0500023	4134516	BARRA STERZO TIE ROD		
1215384	4325409	BOCCOLA BARRA STABILIZZATRICE STABILIZING BAR BUSHING		

DESTRO
RIGHT



SINISTRO
LEFT

126 - 126 PERSONAL - 126 BIS

126

1978 >

Asse Anteriore



Front Axle



i 1) SOLO PER - ONLY FOR: MOD. 126 BIS

OCAP	O.E.		i	
0280290	4264735	TESTA STERZO TIE ROD END		RHT M14x1
0280441	7591300	TESTA STERZO TIE ROD END	1)	RHT M12x1,5
0600408	4318655	SNODO ASSIALE AXIAL JOINT		RHT M14x1
0601171	9941127	SNODO ASSIALE AXIAL JOINT	1)	RHT M12x1,5
0901159	9939574	KIT CUFFIE STERZO STEERING GAITER KIT		
1211059	4371156	CUFFIA STERZO STEERING GAITER		
1211060	4371155	CUFFIA STERZO STEERING GAITER		

DESTRO
RIGHT



SINISTRO
LEFT

127 - 127 PANORAMA - SEAT - 147

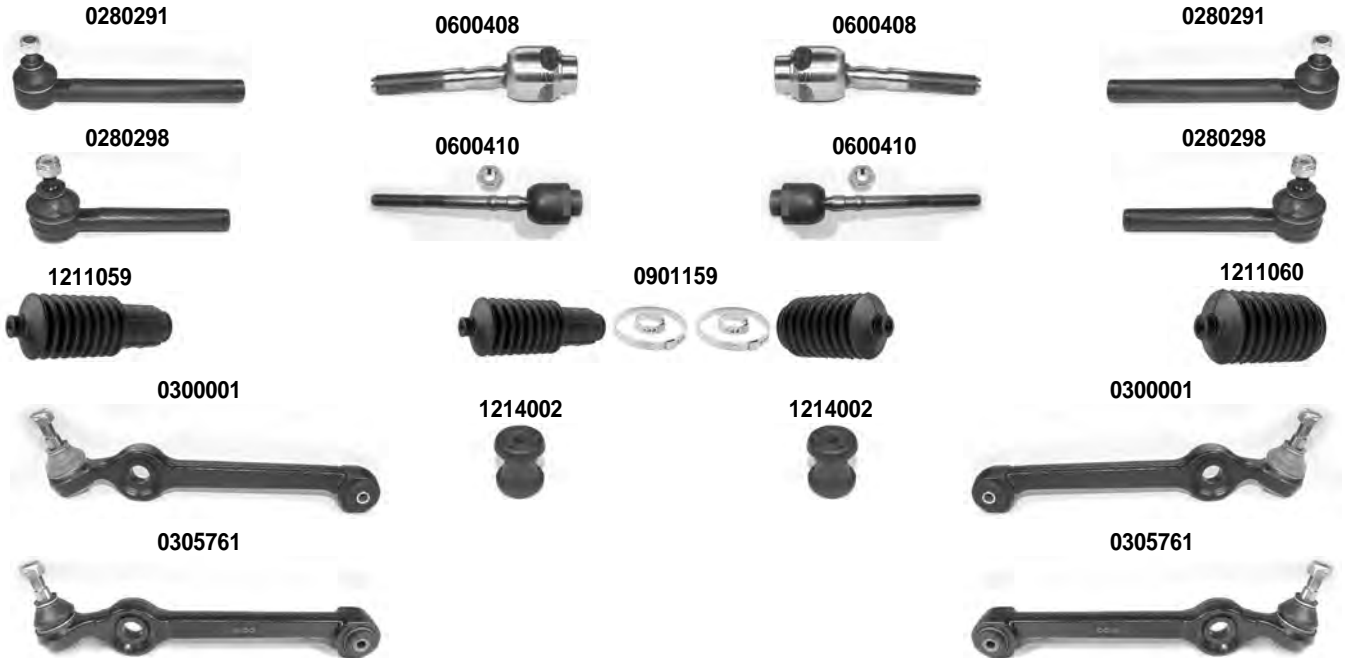
127 A
127

1971 >
1978 > 1988

Asse Anteriore



Front Axle



i 1) > 1984 3) VERSIONE RINFORZATA - REINFORCED VERSION		2) 1984 >	
OCAP	O.E.		i
0280291	4254520	TESTA STERZO TIE ROD END	1) RHT M14x1
0280298	5983404	TESTA STERZO TIE ROD END	2) RHT M12x1,5
0300001	4364095	BRACCIO OSCILLANTE TRACK CONTROL ARM	
0305761	4364095 *	BRACCIO OSCILLANTE TRACK CONTROL ARM	3)
0600408	4318655	SNODO ASSIALE AXIAL JOINT	1) RHT M14x1
0600410	5960321	SNODO ASSIALE AXIAL JOINT	2)
0901159	9939574	KIT CUFFIE STERZO STEERING GAITER KIT	
1211059	4371156	CUFFIA STERZO STEERING GAITER	
1211060	4371155	CUFFIA STERZO STEERING GAITER	
1214002	4292059	SILENTBLOCK BUSHING	

127 - 127 PANORAMA - SEAT - 147

DESTRO
RIGHT



SINISTRO
LEFT

127 - 127 PANORAMA - SEAT - 147

127 A
127

1971 >
1978 > 1988

Asse Anteriore



Front Axle

1214013



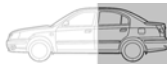
1214013



1249265



Asse Posteriore



Rear Axle

1215092



1215092



OCAP	O.E.		
1214013	4240587	BOCCOLA BARRA STABILIZZATRICE STABILIZING BAR BUSHING	DIAM. 17 mm.
1215092	4434652	SILENTBLOCK BRACCIO OSCILLANTE TRACK CONTROL ARM BUSHING	
1249265	4233064	STAFFA BARRA STABILIZZATRICE - SUPERIORE BRACKET FOR STABILIZING BAR - UPPER	

DESTRO
RIGHT

 SINISTRO
LEFT

128 /C/CL/PANORAMA - SEAT
128 FAMILIARE

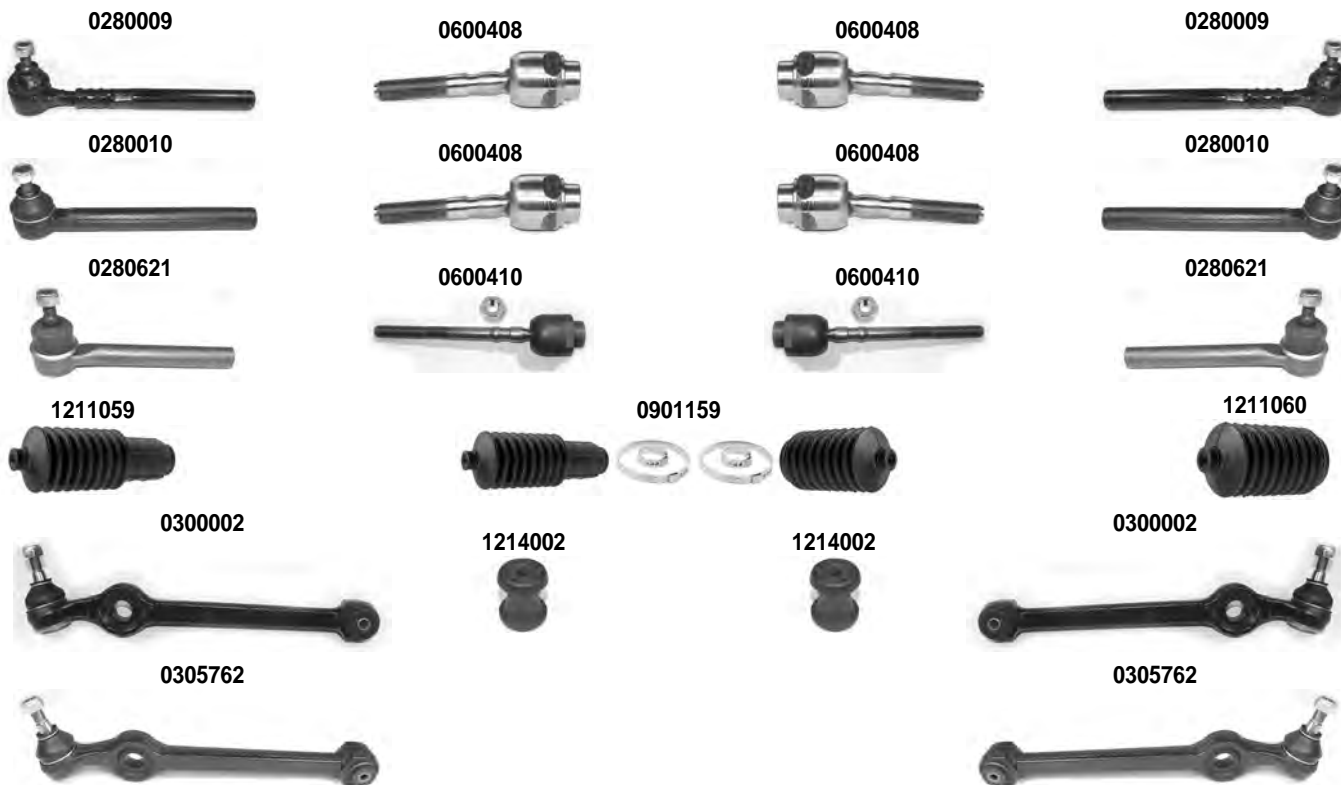
 128
128

 1969 >
1969 >

Asse Anteriore



Front Axle



i	1) > 2511997	2) > 06/1983	
	3) 2511998 >		4) 07/1983 >
	5) VERSIONE RINFORZATA - REINFORCED VERSION		

OCAP	O.E.		i	
0280009	4254278	TESTA STERZO TIE ROD END	1)	RHT M14x1
0280010	4443201	TESTA STERZO TIE ROD END	3)	RHT M14x1
0280621	5962654	TESTA STERZO TIE ROD END	4)	RHT M12x1,5
0300002	4364092	BRACCIO OSCILLANTE TRACK CONTROL ARM		
0305762	4364092 *	BRACCIO OSCILLANTE TRACK CONTROL ARM	5)	
0600408	4318655	SNODO ASSIALE AXIAL JOINT	2)	RHT M14x1
0600410	5960321	SNODO ASSIALE AXIAL JOINT	4)	RHT M12x1,5
0901159	9939574	KIT CUFFIE STERZO STEERING GAITER KIT		
1211059	4371156	CUFFIA STERZO STEERING GAITER		
1211060	4371155	CUFFIA STERZO STEERING GAITER		
1214002	4292059	SILENTBLOCK BUSHING		

DESTRO
RIGHT



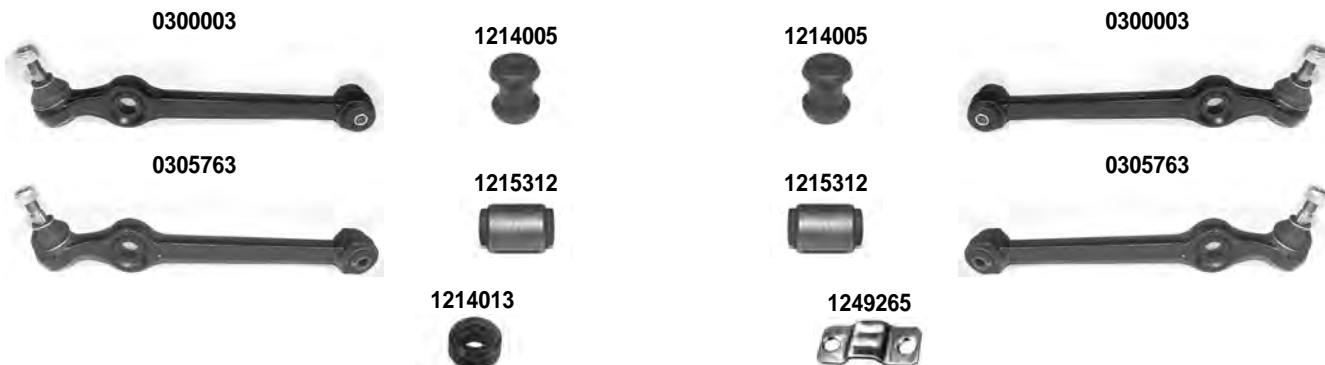
SINISTRO
LEFT

128 /C/CL/PANORAMA - SEAT 128 FAMILIARE	128 128	1969 > 1969 >
--	------------	------------------

Asse Anteriore



Front Axle



i 5) VERSIONE RINFORZATA - REINFORCED VERSION	6) SOLO PER - ONLY FOR: MOD. C-CL-PANORAMA
--	--

OCAP	O.E.		i	
0300003	4402361	BRACCIO OSCILLANTE TRACK CONTROL ARM	6)	
0305763	4402361 *	BRACCIO OSCILLANTE TRACK CONTROL ARM	5)6)	
1214005	4402362	SILENTBLOCK BUSHING	6)	
1214013	4240587	BOCCOLA BARRA STABILIZZATRICE RUBBER RING STABILIZING BAR		DIAM. 17 mm.
1215312	7674701	SILENTBLOCK BUSHING	5)6)	
1249265	4233064	STAFFA SUPERIORE BARRA STABILIZZATRICE BRACKET FOR STABILIZING BAR - UPPER		

DESTRO
RIGHT

 SINISTRO
LEFT

 1300 - 1500 - SEAT
125/SPECIAL - SEAT

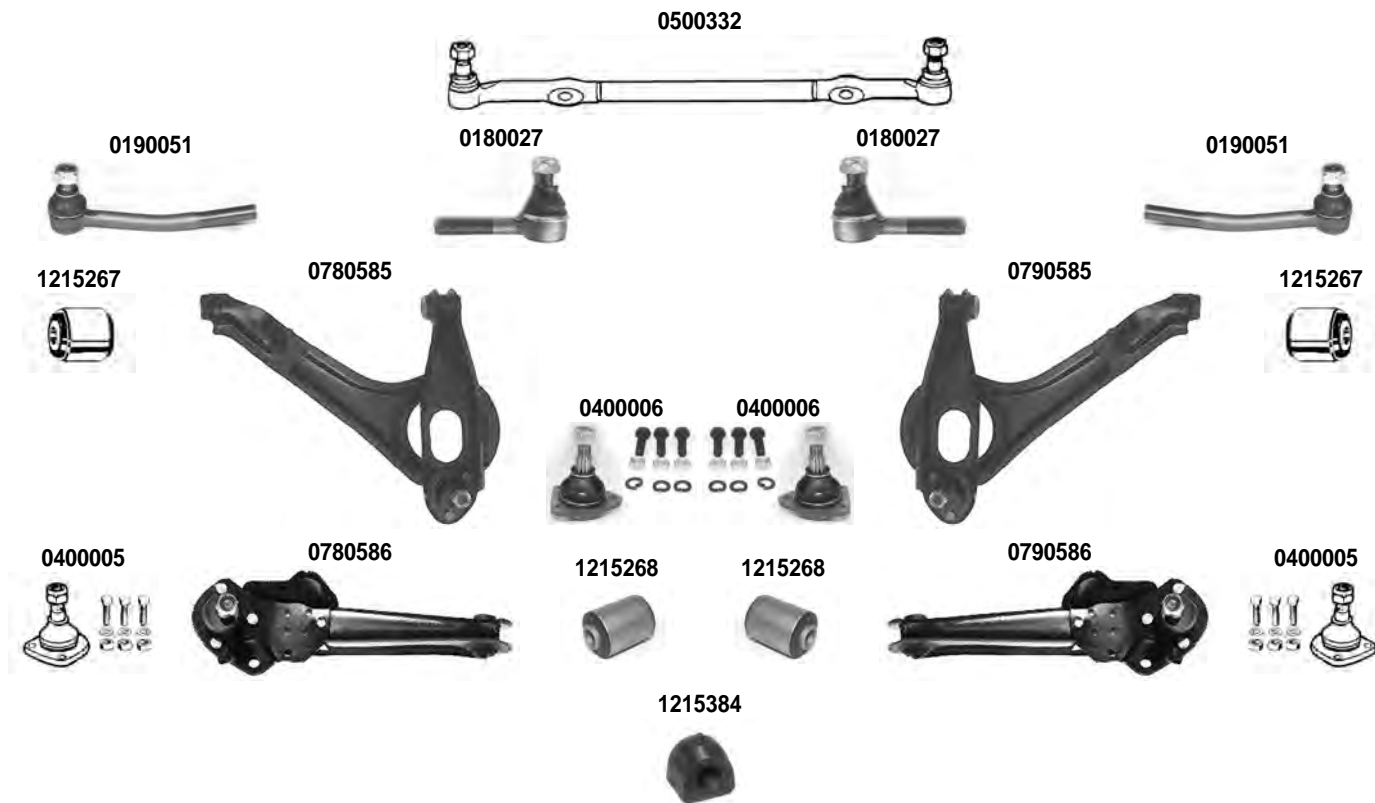
125 B

 1968 >
1968 >

Asse Anteriore



Front Axle



i 1) SOLO PER - ONLY FOR: MOD. 125 - 125 SPECIAL

OCAP	O.E.		i	
0180027	4117875	TESTA STERZO TIE ROD END		RHT M16x1
0190051	4109626	TESTA STERZO TIE ROD END		LHT M16x1
0400005	5880795	SNODO SOSPENSIONE INFERIORE BALL JOINT LOWER		
0400006	5880794	SNODO SOSPENSIONE - SUPERIORE BALL JOINT - UPPER		
0500332	4109610	BARRA STERZO TIE ROD		
0780585	4104852	BRACCIO OSCILLANTE - SUPERIORE TRACK CONTROL ARM - UPPER		
0780586	4302450	BRACCIO OSCILLANTE - INFERIORE TRACK CONTROL ARM - LOWER	1)	
0790585	4104851	BRACCIO OSCILLANTE - SUPERIORE TRACK CONTROL ARM - UPPER		
0790586	4159399	BRACCIO OSCILLANTE - INFERIORE TRACK CONTROL ARM - LOWER	1)	
1215267	-	SILENTBLOCK BUSHING		L = 52 mm.
1215268	-	SILENTBLOCK BUSHING		
1215384	4325409	BOCCOLA BARRA STABILIZZATRICE STABILIZING BAR BUSHING		

DESTRO
RIGHT



SINISTRO
LEFT

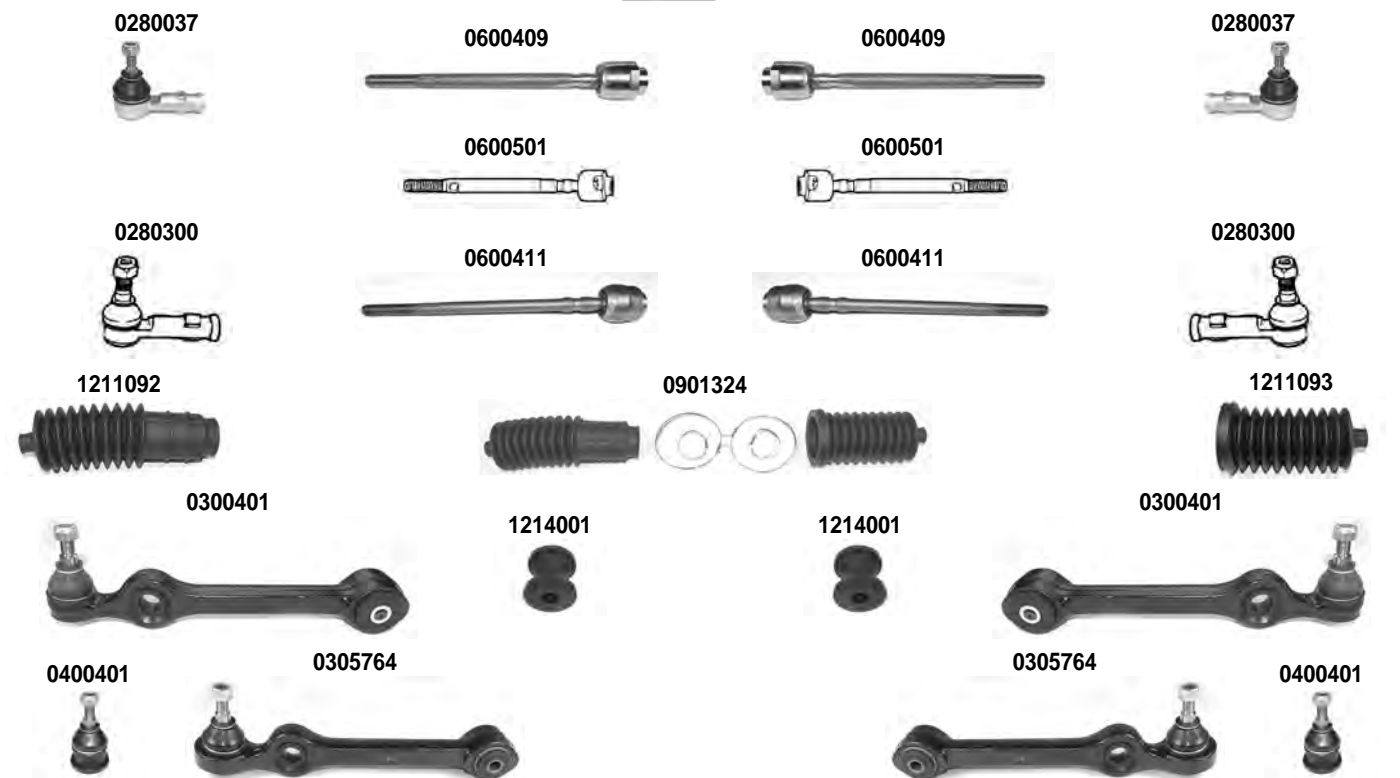
131 - SEAT

131 A

1974 >

Asse Anteriore

Front Axle



i 1) STERZO MANUALE - MANUAL STEERING
 2) > 07/1982
 3) SERVOSTERZO - POWER STEERING
 4) 08/1982 >
 5) VERSIONE RINFORZATA - REINFORCED VERSION

OCAP	O.E.		i	
0280037	4322906	TESTA STERZO TIE ROD END	2)	RHT M14x1,5
0280300	5962773	TESTA STERZO TIE ROD END	4)	RHT M12x1,5
0300401	4469175	BRACCIO OSCILLANTE TRACK CONTROL ARM		
0305764	4469175 *	BRACCIO OSCILLANTE TRACK CONTROL ARM	5)	
0400401	4469175 **	SNODO SOSPENSIONE - INFERIORE BALL JOINT - LOWER	5)	
0600409	4322913	SNODO ASSIALE AXIAL JOINT	1) 2)	RHT M14x1,5
0600411	5958244	SNODO ASSIALE AXIAL JOINT	1) 4)	RHT M12x1,5
0600501	9938028	SNODO ASSIALE AXIAL JOINT	3)	RHT M14x1,5
0901324	-	KIT CUFFIE STERZO STEERING GAITER KIT		
1211092	4373922	CUFFIA STERZO STEERING GAITER		
1211093	4373921	CUFFIA STERZO STEERING GAITER		
1214001	4331968	SILENTBLOCK ESTREMO OUTER BUSHING		

DESTRO
RIGHT

 SINISTRO
LEFT

132 - 132 DIESEL - SEAT
ARGENTA - ARGENTA DIESEL - SEAT

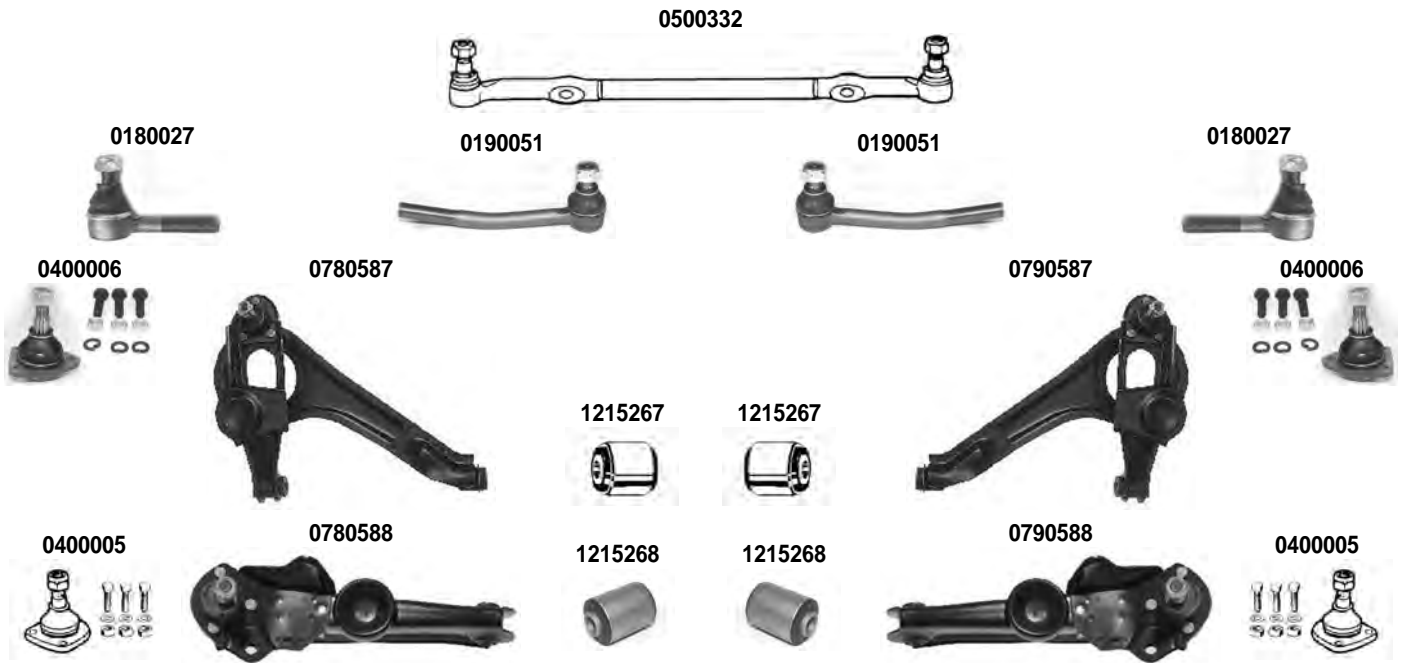
 132
132 P

 1972 >
1981 >

Asse Anteriore



Front Axle


i 1) LHD

OCAP	O.E.		i	
0180027	5995268	TESTA STERZO TIE ROD END		RHT M16x1
0190051	5995267	TESTA STERZO TIE ROD END		LHT M16x1
0400005	5880795	SNODO SOSPENSIONE - INFERIORE BALL JOINT - LOWER		
0400006	5880794	SNODO SOSPENSIONE - SUPERIORE BALL JOINT - UPPER		
0500332	4168857	BARRA STERZO TIE ROD	1)	
0780587	4278320	BRACCIO OSCILLANTE - SUPERIORE TRACK CONTROL ARM - UPPER		
0780588	4355946	BRACCIO OSCILLANTE - INFERIORE TRACK CONTROL ARM - LOWER		
0790587	4278319	BRACCIO OSCILLANTE - SUPERIORE TRACK CONTROL ARM - UPPER		
0790588	4355947	BRACCIO OSCILLANTE - INFERIORE TRACK CONTROL ARM - LOWER		
1215267	-	SILENTBLOCK BUSHING		L = 52 mm.
1215268	4355946 *	SILENTBLOCK BUSHING		

DESTRO
RIGHT



SINISTRO
LEFT

1100 TN/TN1/T4 - 217 D
241 - 241 TN
242

073701 >

1970 > 1982
1975 > 1982

Asse Anteriore



Front Axle

0180027



0190027



0190027



0180027



0500510



0500511



0400512



0400512



i 1) SOLO PER - ONLY FOR: 1100 TN/TN1/T4 - 217 D - 241 - 241 TN 2) SOLO PER - ONLY FOR: 242

OCAP	O.E.		i	
0180027	4117875	TESTA STERZO TIE ROD END	1)	RHT M16x1
0190027	4063812	TESTA STERZO TIE ROD END	1)	LHT M16x1
0400512	5412629	SNODO SOSPENSIONE - INFERIORE - SUPERIORE BALL JOINT - LOWER - UPPER	2)	
0500510	5413937	BARRA STERZO TIE ROD	2)	
0500511	5413938	BARRA STERZO TIE ROD	2)	

DESTRO
RIGHT

 SINISTRO
LEFT

238

1966 > 1982

Asse Anteriore



Front Axle

0180027

0190027

0190027

0180027

0180503

0180504

0180504

0180503

0400506

0400506


OCAP	O.E.		i	
0180027	4117875	TESTA STERZO TIE ROD END		RHT M16x1
0180503	4129667	TESTA STERZO TIE ROD END		RHT M16x1
0180504	4123955	TESTA STERZO TIE ROD END		RHT M16x1
0190027	4113746	TESTA STERZO TIE ROD END		LHT M16x1
0400506	4130528	SNODO SOSPENSIONE INFERIORE BALL JOINT LOWER		

DESTRO
RIGHT



SINISTRO
LEFT

500	F/L/R	1965 > 1975
-----	-------	-------------

Asse Anteriore



Front Axle

0500022



0180001



0190002



0190002



0180001



OCAP	O.E.			
0180001	4100998	TESTA STERZO - INTERNA TIE ROD END - INNER		RHT M14x1
0190002	4104085	TESTA STERZO - ESTERNA TIE ROD END - OUTER		LHT M14x1
0500022	4101815	BARRA STERZO TIE ROD		

DESTRO
RIGHT

 SINISTRO
LEFT

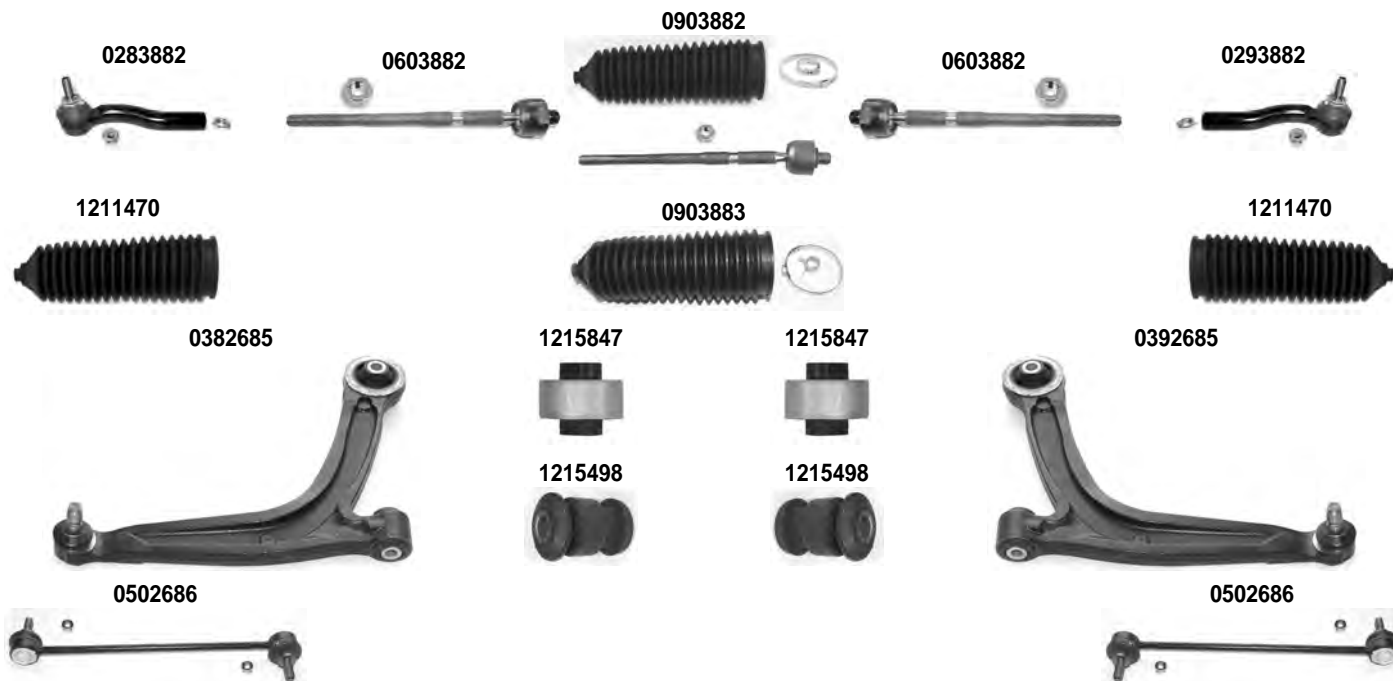
500

10/2007 >

Asse Anteriore



Front Axle



Asse Posteriore



Rear Axle

1216368



1216368


i 1) ECCETTO - EXCEPT: MOD. ABARTH

OCAP	O.E.		i	
0283882	77362508	TESTA STERZO TIE ROD END		RHT M12x1,5
0293882	77362507	TESTA STERZO TIE ROD END		RHT M12x1,5
0382685	51857022	BRACCIO OSCILLANTE - INFERIORE - GHISA TRACK CONTROL ARM - LOWER - CAST IRON	1)	
0392685	51857021	BRACCIO OSCILLANTE - INFERIORE - GHISA TRACK CONTROL ARM - LOWER - CAST IRON	1)	
0502686	51801136	STABILIZZATORE STABILIZER LINK		
0603882	-	SNODO ASSIALE STERZO AXIAL JOINT		RHT M12x1,5
0903882	51875886 *	KIT SNODO ASSIALE STERZO AXIAL JOINT KIT		RHT M12x1,5
0903883	77362509	KIT CUFFIE STERZO STEERING GAITER KIT		
1211470	77362509 *	CUFFIA STERZO STEERING GAITER		
1215498	-	SILENTBLOCK - CENTRALE BUSHING - CENTRAL		
1215847	-	SILENTBLOCK - ESTREMO BUSHING - OUTER		
1216368	46761280	SILENTBLOCK BUSHING		

DESTRO
RIGHT



SINISTRO
LEFT

500 L	2012 >
-------	--------

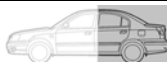
Asse Anteriore



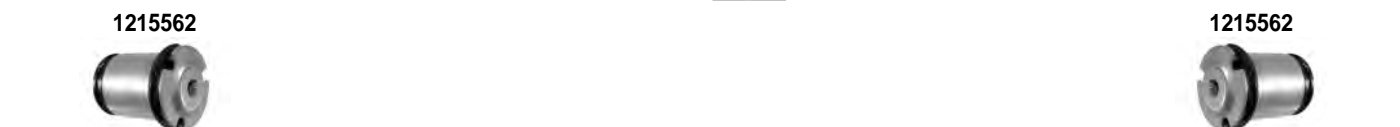
Front Axle



Asse Posteriore



Rear Axle



OCAP	O.E.			
0285495	77366699	TESTA STERZO TIE ROD END		RHT M14x1,5
0295495	77366698	TESTA STERZO TIE ROD END		RHT M14x1,5
0403263	51885660 *	SNODO SOSPENSIONE BALL JOINT		
0505338	50515276	STABILIZZATORE STABILIZER LINK		
0785495	52008283	BRACCIO OSCILLANTE TRACK CONTROL ARM		
0795495	52008282	BRACCIO OSCILLANTE TRACK CONTROL ARM		
0902356	77366164	KIT CUFFIE STERZO STEERING GAITER KIT		
1215560	55703232	SILENTBLOCK CENTRALE CENTRAL BUSHING		
1215562	51840600	SILENTBLOCK BUSHING		
1216179	-	SILENTBLOCK ESTREMO OUTER BUSHING		

DESTRO
RIGHT

 SINISTRO
LEFT

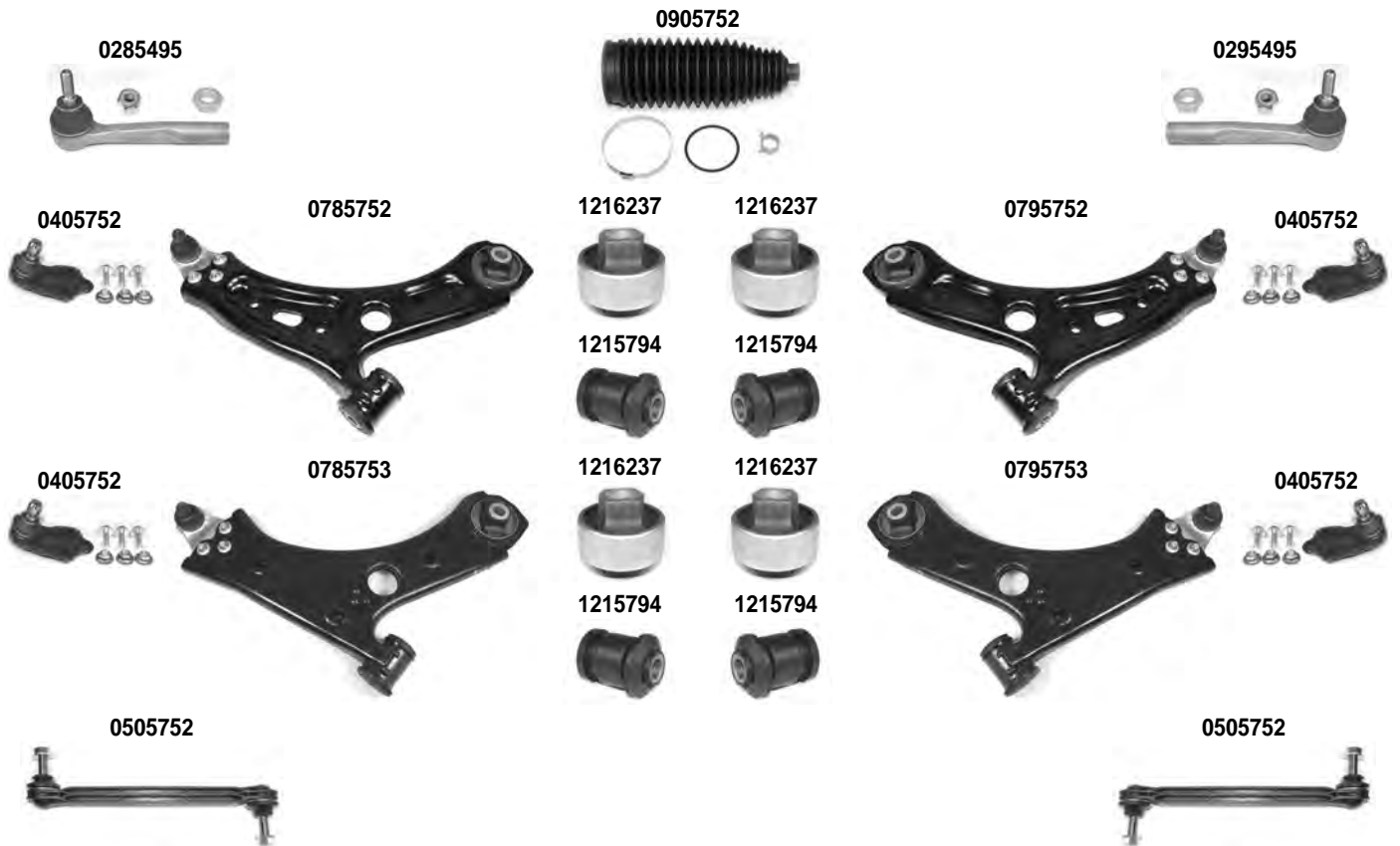
500 X

09/2014 >

Asse Anteriore



Front Axle



1) 2WD		2) 4WD		
OCAP	O.E.			
0285495	77366699	TESTA STERZO TIE ROD END		RHT M14x1,5
0295495	77366698	TESTA STERZO TIE ROD END		RHT M14x1,5
0405752	51945321	SNODO SOSPENSIONE BALL JOINT		
0505752	51939949	STABILIZZATORE STABILIZER LINK		
0785752	51959820	BRACCIO OSCILLANTE TRACK CONTROL ARM	1)	
0785753	51939751	BRACCIO OSCILLANTE TRACK CONTROL ARM	2)	
0795752	51961341	BRACCIO OSCILLANTE TRACK CONTROL ARM	1)	
0795753	51939755	BRACCIO OSCILLANTE TRACK CONTROL ARM	2)	
0905752	77366697	KIT CUFFIA STERZO STEERING GAITER KIT		
1215794	51983599	SILENTBLOCK CENTRALE CENTRAL BUSHING		
1216237	51939751 **	SILENTBLOCK ESTREMO OUTER BUSHING		

500 X

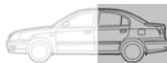
DESTRO
RIGHT



SINISTRO
LEFT

500 X		09/2014 >
-------	--	-----------

Asse Posteriore



Rear Axle

0505754



0505753



0505753



0505754



i 1) 2WD	2) 4WD
-----------------	--------

OCAP	O.E.		i	
0505753	51977024	STABILIZZATORE STABILIZER LINK	1)	
0505754	51942168	STABILIZZATORE STABILIZER LINK	2)	

DESTRO
RIGHT

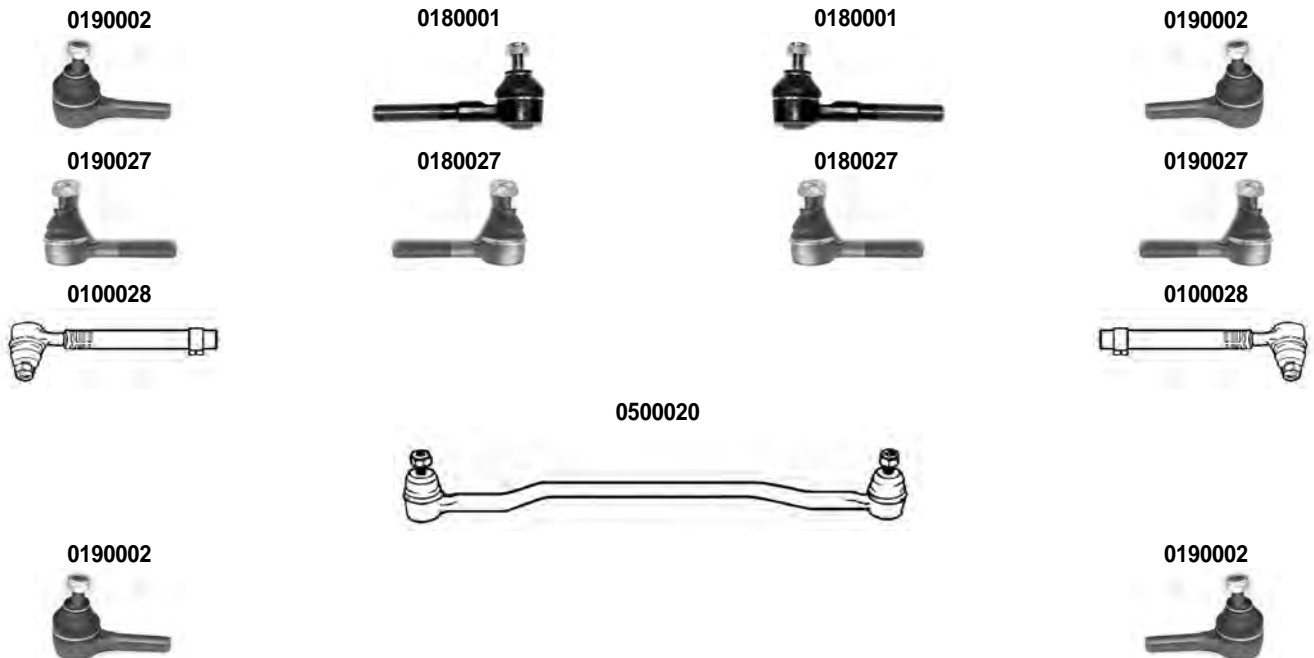
 SINISTRO
LEFT

600 D/E - SEAT 600 T - 850 FAMIL. - 900 T 850 SPECIAL/COUPE'/SPYDER/SPORT	100 100 G	1964 > 1964 > 1964 >
---	--------------	----------------------------

Asse Anteriore



Front Axle



i 1) SOLO PER - ONLY FOR: 600 D/E - SEAT	2) ECCEPPO - EXCEPT: 600 T - 850 FAMIL. - 900 T
3) SOLO PER - ONLY FOR: 600 T - 850 FAMIL. - 900 T	4) SOLO PER - ONLY FOR: 850 SPECIAL/COUPE'/SPYDER/SPORT

OCAP	O.E.		i	
0100028	4328913	TESTA STERZO TIE ROD END	3)	RHT M16x1
0180001	4100998	TESTA STERZO - INTERNA TIE ROD END - INNER	1)	RHT M14x1
0180027	4117875	TESTA STERZO TIE ROD END	3)	RHT M16x1
0190002	4104085	TESTA STERZO - ESTERNA TIE ROD END - OUTER	2)	LHT M14x1
0190027	4113746	TESTA STERZO TIE ROD END	3)	LHT M16x1
0500020	4105084	BARRA STERZO TIE ROD	4)	

DESTRO
RIGHT



SINISTRO
LEFT

**CONSUL
GRANADA - NOUVELLE GRANADA**

1972 >
1977 >

Asse Anteriore

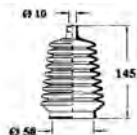


Front Axle

0280655



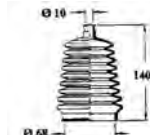
1211101



0402073



1211102



0402073



0280655



i 1) STERZO MANUALE - MANUAL STEERING

OCAP	O.E.		i	
0280655	1476246	TESTA STERZO TIE ROD END		RHT M14x2
0402073	151577	SNODO SOSPENSIONE - INFERIORE BALL JOINT - LOWER		
1211101	1507333	CUFFIA STERZO STEERING GAITER	1)	
1211102	1507336	CUFFIA STERZO STEERING GAITER	1)	

DESTRO
RIGHT

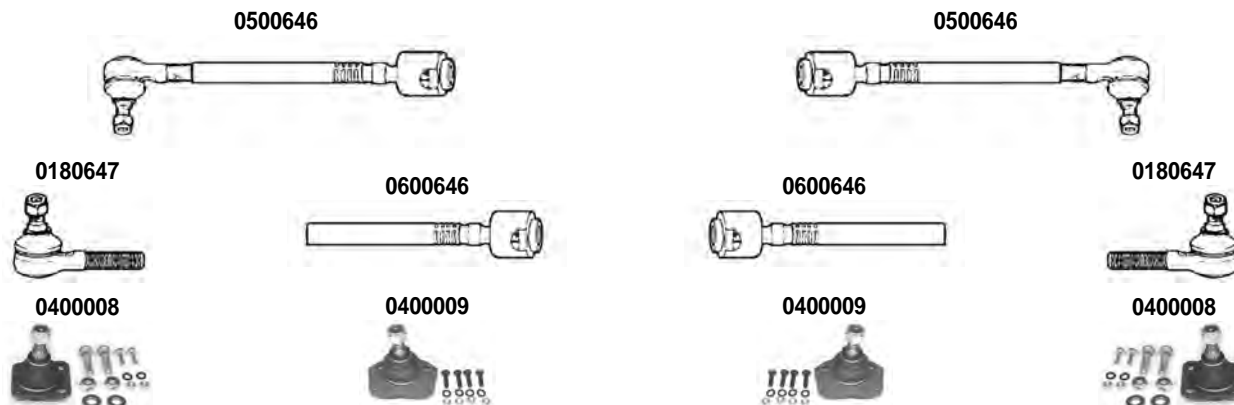
 SINISTRO
LEFT

CORCEL I-II - BERLINA I-II
PAMPA - VAN - DEL REI - SCALA

Asse Anteriore



Front Axle



OCAP	O.E.			
0180647	73666	TESTA STERZO TIE ROD END		RHT M14x1,5
0400008	78MU3263A	SNODO SOSPENSIONE - SUPERIORE BALL JOINT - UPPER		
0400009	81EU3395B	SNODO SOSPENSIONE - INFERIORE BALL JOINT - LOWER		
0500646	81EU3304B	BARRA STERZO TIE ROD		
0600646	73767	SNODO ASSIALE AXIAL JOINT		RHT M14x1,5

DESTRO
RIGHT



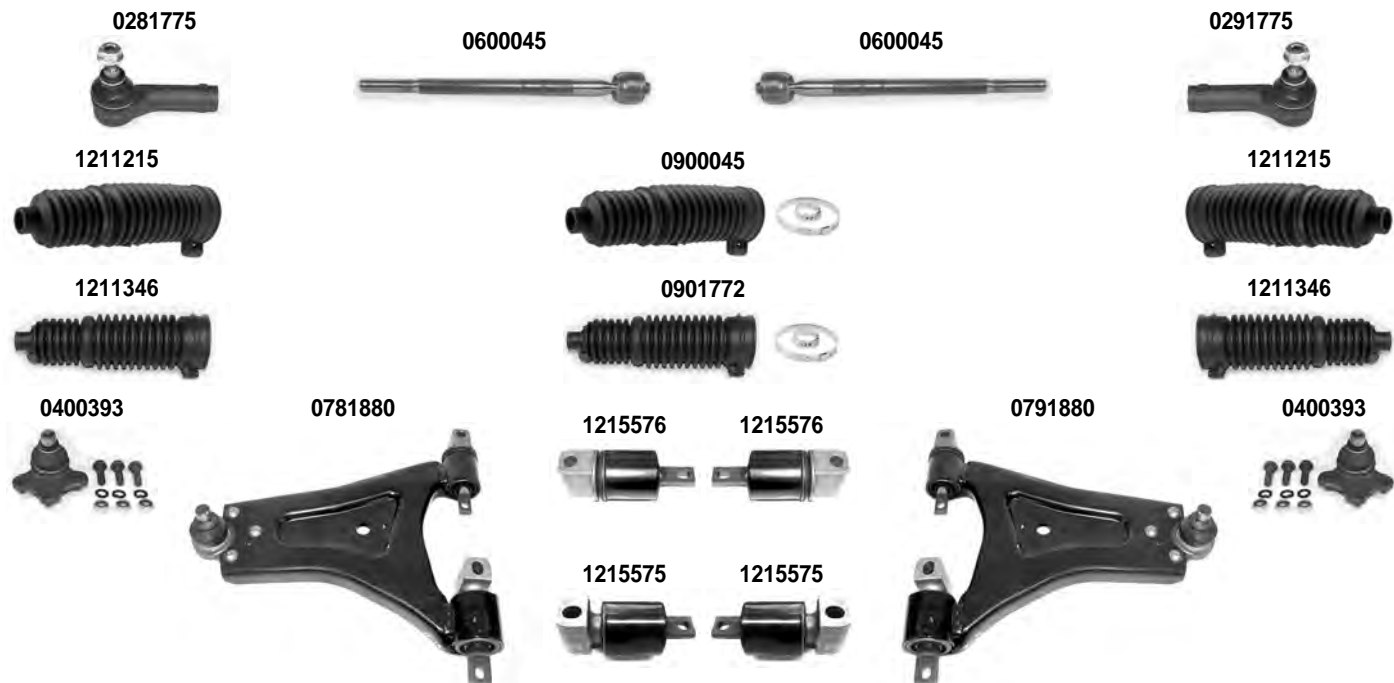
SINISTRO
LEFT

COUGAR	EC	1998 > 2001
--------	----	-------------

Asse Anteriore



Front Axle



i 1) > 02/2001	2) 02/2001 >
-----------------------	--------------

OCAP	O.E.		i	
0281775	1097316	TESTA STERZO TIE ROD END		RHT M16x1,5
0291775	1097323	TESTA STERZO TIE ROD END		RHT M16x1,5
0400393	-	SNODO SOSPENSIONE BALL JOINT		
0600045	3702281	SNODO ASSIALE AXIAL JOINT		RHT M16x1,5
0781880	1130576	BRACCIO OSCILLANTE TRACK CONTROL ARM		
0791880	1130577	BRACCIO OSCILLANTE TRACK CONTROL ARM		
0900045	-	KIT CUFFIE STERZO STEERING GAITER KIT	1)	
0901772	-	KIT CUFFIE STERZO STEERING GAITER KIT	2)	
1211215	3904122	CUFFIA STERZO STEERING GAITER	1)	
1211346	4119193	CUFFIA STERZO STEERING GAITER	2)	
1215575	-	SILENTBLOCK BUSHING		
1215576	-	SILENTBLOCK BUSHING		

DESTRO
RIGHT



SINISTRO
LEFT

COUGAR

EC

1998 > 2001

Asse Anteriore



Front Axle

0500394



0501881



0501881



0500394



1214123



Asse Posteriore



Rear Axle

0181882



0181882-K




0181882



1214104



i 3) VECCHIA VERSIONE - OLD VERSION

OCAP	O.E.		i	
0181882	1054209	PUNTONE BARRA STABILIZZATRICE STABILIZER LINK		
0500394	6960036	STABILIZZATORE - ACCIAIO STABILIZER LINK - STEEL	3)	
0501881	1106269	STABILIZZATORE - ALLUMINIO STABILIZER LINK - ALUMINIUM		
1214104	7144202	SILENTBLOCK BARRA STABILIZZATRICE STABILIZING BAR BUSHING		DIAM. 18 mm.
1214123	6714195	SILENTBLOCK BARRA STABILIZZATRICE STABILIZING BAR BUSHING		DIAM. 19 mm.
0181882-K	1054209 *	KIT PUNTONE BARRA STABILIZZATRICE STABILIZER LINK KIT		

DESTRO
RIGHT



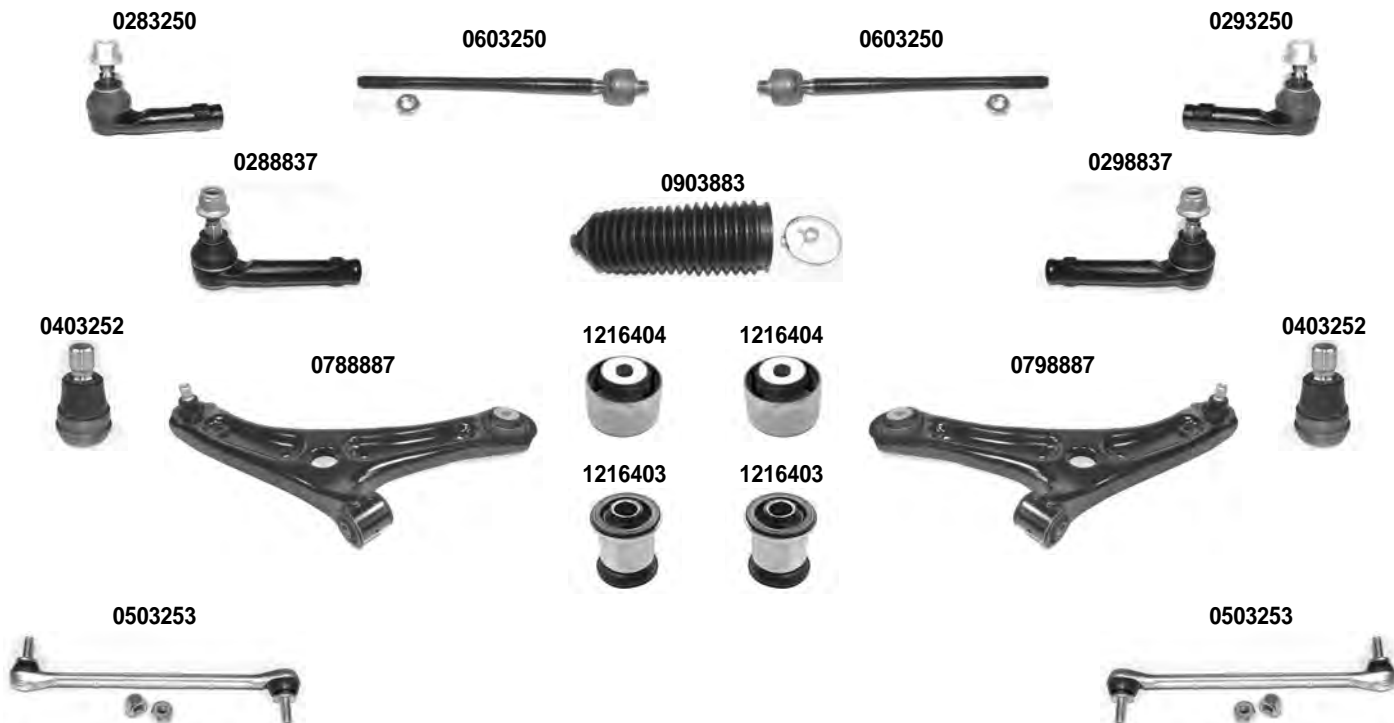
SINISTRO
LEFT

ECOSPORT

09/2011 >

Asse Anteriore

Front Axle



i 1) MODELLI - MODELS: CR6 2) MODELLI - MODELS: CBW

OCAP	O.E.		
0283250	1545338	TESTA STERZO TIE ROD END	2) RHT M14x1,5
0288837	2090579	TESTA STERZO TIE ROD END	1) RHT M14x1,5
0293250	1545339	TESTA STERZO TIE ROD END	2) RHT M14x1,5
0298837	2095043	TESTA STERZO TIE ROD END	1) RHT M14x1,5
0403252	1532433 *	SNODO SOSPENSIONE BALL JOINT	DIAM. 17,5 mm.
0503253	1513343	STABILIZZATORE STABILIZER LINK	
0603250	1785002	SNODO ASSIALE AXIAL JOINT	2) RHT M14x1,5
0788887	1793902	BRACCIO OSCILLANTE TRACK CONTROL ARM	
0798887	1793903	BRACCIO OSCILLANTE TRACK CONTROL ARM	
0903883	77362509	KIT CUFFIA STERZO STEERING GAITER KIT	
1216403	1793902 *	SILENTBLOCK CENTRALE CENTRAL BUSHING	
1216404	1793903 *	SILENTBLOCK ESTREMO OUTER BUSHING	

DESTRO
RIGHT

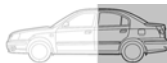


SINISTRO
LEFT

ECOSPORT

09/2011 >

Asse Posteriore






Rear Axle

1216395



1216395



OCAP	O.E.			
1216395	1751679	SILENTBLOCK BUSHING		

DESTRO
RIGHT



SINISTRO
LEFT

ESCORT - CAPRI II

MK I - II

1967 > 1980

Asse Anteriore



Front Axle



i 1) > 1974 2) 1975 >

OCAP	O.E.		i	
0280055	1571221	TESTA STERZO TIE ROD END	1)	RHT 1/2" x20 UNF
0282003	71BB3289AB	TESTA STERZO TIE ROD END	2)	RHT M14x2
0380412	1460179	BRACCIO OSCILLANTE TRACK CONTROL ARM		
0390412	1460180	BRACCIO OSCILLANTE TRACK CONTROL ARM		
0901016	1454203 *	KIT CUFFIE STERZO STEERING GAITER KIT		
1211097	1454203	CUFFIA STERZO STEERING GAITER		
1211098	1454202	CUFFIA STERZO STEERING GAITER		
1214005	1487654	SILENTBLOCK ESTREMO OUTER BUSHING		
1214006	1412951	SILENTBLOCK CENTRALE CENTRAL BUSHING		

DESTRO
RIGHT



SINISTRO
LEFT

ESCORT

MK III



1980 > 1983

Asse Anteriore



Front Axle



OCAP	O.E.		
0280055	5021410	TESTA STERZO <i>TIE ROD END</i>	RHT 1/2"x20 UNF
0400651	6115337	SNODO SOSPENSIONE - INFERIORE <i>BALL JOINT - LOWER</i>	DIAM. 17 mm.
0780666	6100991	BRACCIO OSCILLANTE <i>TRACK CONTROL ARM</i>	
0790666	6100990	BRACCIO OSCILLANTE <i>TRACK CONTROL ARM</i>	
0900955	6047904 *	KIT CUFFIE STERZO <i>STEERING GAITER KIT</i>	
0901076	6110904	KIT BARRA STABILIZZATRICE <i>STABILIZING BAR KIT</i>	
1211065	6047900	CUFFIA STERZO <i>STEERING GAITER</i>	
1211066	6047904	CUFFIA STERZO <i>STEERING GAITER</i>	
1215011	6087890	SILENTBLOCK <i>BUSHING</i>	

DESTRO
RIGHT



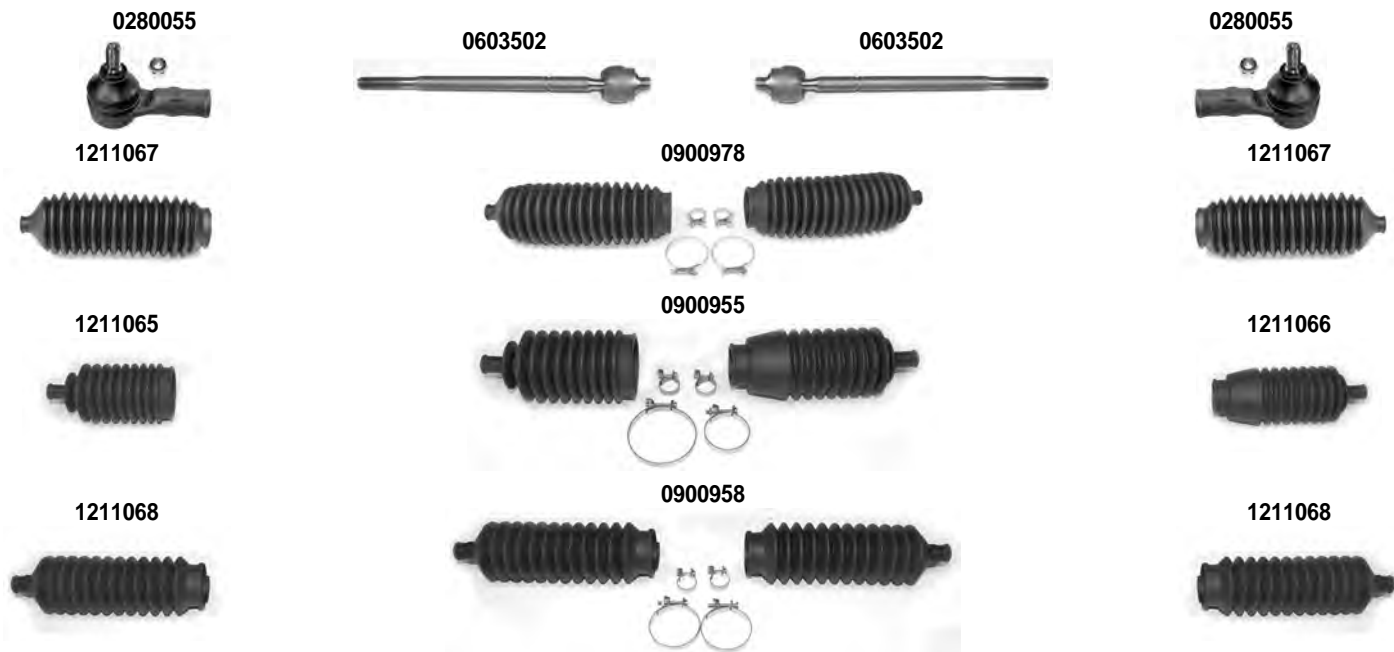
SINISTRO
LEFT

ESCORT ORION	MK III - IV MK I - II	1983 > 1991 1983 > 1991
-----------------	--------------------------	----------------------------

Asse Anteriore



Front Axle



i 1) > 1986 3) 1988 >	2) 1986 > 1988
---------------------------------	----------------

OCAP	O.E.		i	
0280055	6128814	TESTA STERZO TIE ROD END		RHT 1/2"x20 UNF
0603502	6127726	SNODO ASSIALE AXIAL JOINT		RHT 1/2"x20 UNF
0900955	6047904 *	KIT CUFFIE STERZO STEERING GAITER KIT	2)	
0900958	6127744 *	KIT CUFFIE STERZO STEERING GAITER KIT	3)	
0900978	6173476 *	KIT CUFFIE STERZO STEERING GAITER KIT	1)	
1211065	6047900	CUFFIA STERZO STEERING GAITER	2)	
1211066	6047904	CUFFIA STERZO STEERING GAITER	2)	
1211067	6173476	CUFFIA STERZO STEERING GAITER	1)	
1211068	6127744	CUFFIA STERZO STEERING GAITER	3)	

DESTRO
RIGHT



SINISTRO
LEFT

ESCORT
ORION

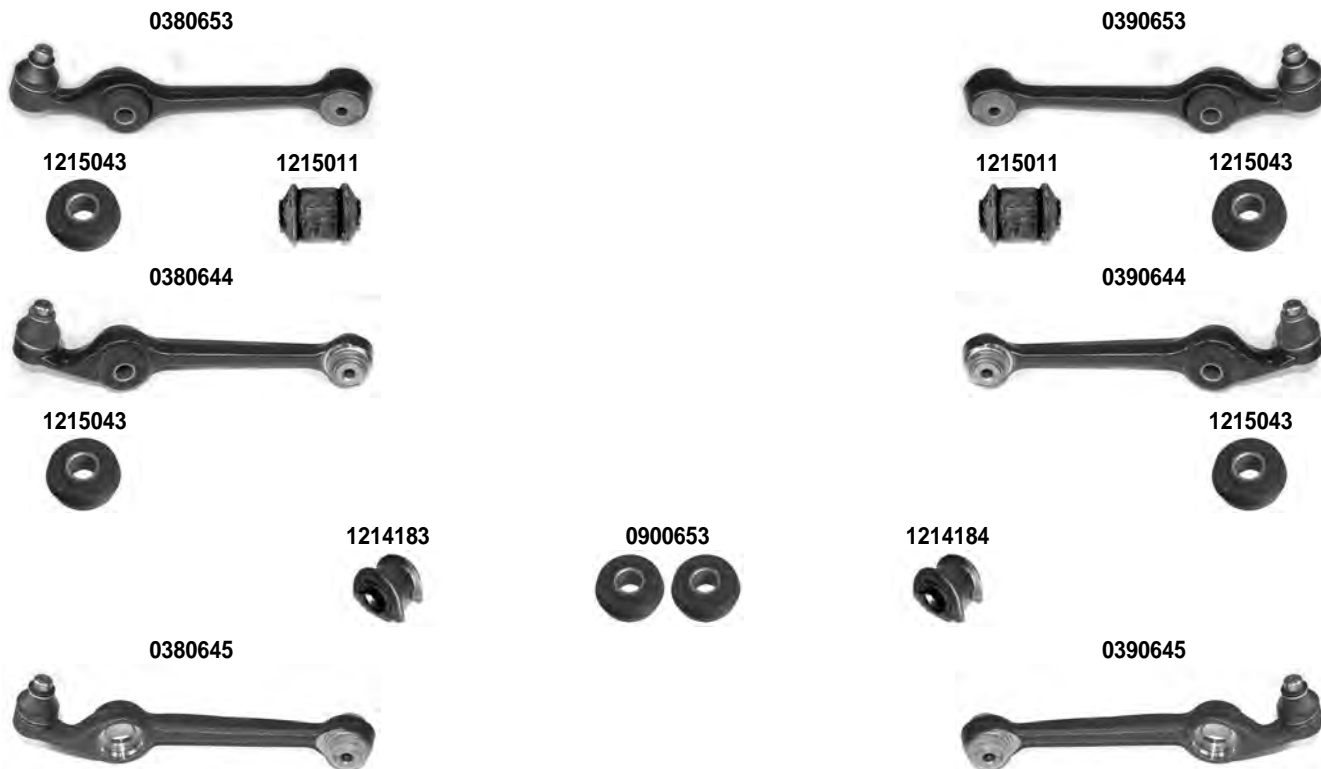
MK III - IV
MK I - II

1983 > 1991
1983 > 1991

Asse Anteriore



Front Axle



i 4) > 01/1986 5) 01/1986 >

OCAP	O.E.		i	
0380644	5021458	BRACCIO OSCILLANTE CON SILENTBLOCK CENTRALE <i>TRACK CONTROL ARM WITH CENTRAL BUSHING</i>	5)	
0380645	1637182	BRACCIO OSCILLANTE SENZA SILENTBLOCK CENTRALE <i>TRACK CONTROL ARM WITHOUT CENTRAL BUSHING</i>	5)	
0380653	6115334	BRACCIO OSCILLANTE <i>TRACK CONTROL ARM</i>	4)	
0390644	5021459	BRACCIO OSCILLANTE CON SILENTBLOCK CENTRALE <i>TRACK CONTROL ARM WITH CENTRAL BUSHING</i>	5)	
0390645	1637184	BRACCIO OSCILLANTE SENZA SILENTBLOCK CENTRALE <i>TRACK CONTROL ARM WITHOUT CENTRAL BUSHING</i>	5)	
0390653	6115336	BRACCIO OSCILLANTE <i>TRACK CONTROL ARM</i>	4)	
0900653	6107025 *	KIT SILENTBLOCK <i>BUSHING KIT</i>		
1214183	1634901	SILENTBLOCK BARRA STABILIZZATRICE <i>STABILIZING BAR BUSHING</i>		DIAM. 24 mm.
1214184	1634900	SILENTBLOCK BARRA STABILIZZATRICE <i>STABILIZING BAR BUSHING</i>		DIAM. 22 mm.
1215011	6087890	SILENTBLOCK ESTREMO <i>BUSHING - OUTER</i>		
1215043	6107025	SILENTBLOCK CENTRALE <i>BUSHING - CENTRAL</i>		

DESTRO
RIGHT



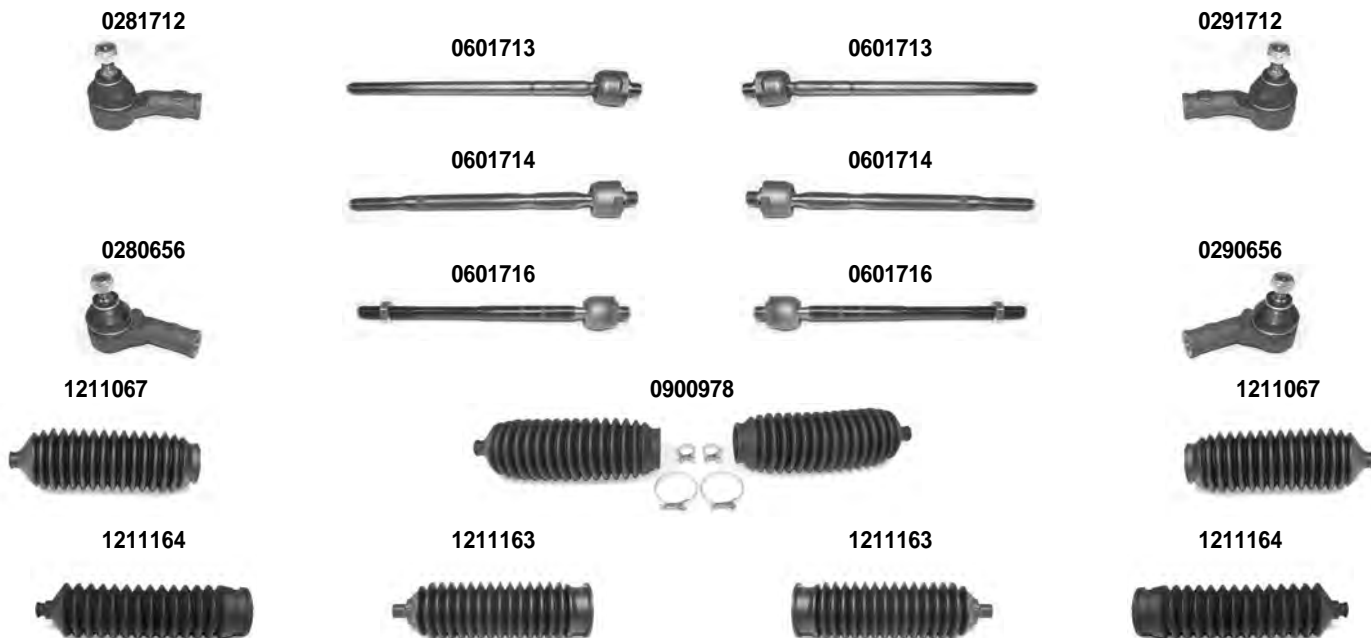
SINISTRO
LEFT

ESCORT ORION	MK V-VI-VII MK III	1991 > 1991 >
-----------------	-----------------------	------------------

Asse Anteriore



Front Axle



i 1) STERZO MANUALE - MANUAL STEERING 3) SERVOSTERZO - POWER STEERING - WUELFRAH - 1995 > 5) SERVOSTERZO - POWER STEERING	2) TRW 4) SOLO PER - ONLY FOR: MOD. RS COSWORTH
--	--

OCAP	O.E.		i	
0280656	5021413	TESTA STERZO TIE ROD END	4)	RHT M14x2
0281712	5024332	TESTA STERZO TIE ROD END		RHT M14x2
0290656	5021414	TESTA STERZO TIE ROD END	4)	RHT M14x2
0291712	5024333	TESTA STERZO TIE ROD END		RHT M14x2
0601713	6180350	SNODO ASSIALE AXIAL JOINT	1) 3)	RHT M14x2
0601714	6197238	SNODO ASSIALE AXIAL JOINT	2) 5)	RHT M14x2
0601716	6185338	SNODO ASSIALE AXIAL JOINT		RHT M14x2
0900978	6173476 *	KIT CUFFIE STERZO STEERING GAITER KIT	1)	
1211067	6173476	CUFFIA STERZO STEERING GAITER	1)	
1211163	6182818	CUFFIA STERZO STEERING GAITER	4)	
1211164	1610365	CUFFIA STERZO STEERING GAITER	5)	

DESTRO
RIGHT



SINISTRO
LEFT

ESCORT
ORION

MK V-VI-VII
MK III

1991 >
1991 >

Asse Anteriore



Front Axle



i 4) SOLO PER - ONLY FOR: MOD. RS COSWORTH

OCAP	O.E.		i	
0380250	5021462	BRACCIO OSCILLANTE TRACK CONTROL ARM	4)	
0390250	5021463	BRACCIO OSCILLANTE TRACK CONTROL ARM	4)	
0400736	6645154 *	SNODO SOSPENSIONE - INFERIORE BALL JOINT - LOWER		DIAM. 17mm.
0501329	1130273	STABILIZZATORE STABILIZER LINK		
0781715	6770224	BRACCIO OSCILLANTE TRACK CONTROL ARM		
0791715	6770225	BRACCIO OSCILLANTE TRACK CONTROL ARM		
1215017	5021729	SILENTBLOCK CENTRALE CENTRAL BUSHING	4)	
1215119	1000445	SILENTBLOCK CENTRALE CENTRAL BUSHING		
1215120	1035929	SILENTBLOCK ESTREMO OUTER BUSHING		
1215399	6788739 *	BOCCOLA BARRA STABILIZZATRICE RUBBER RING STABILIZING BAR		
1215554	6192705	SILENTBLOCK ESTREMO OUTER BUSHING	4)	

DESTRO
RIGHT



SINISTRO
LEFT

FIESTA	I - II	> 1988
---------------	--------	--------

Asse Anteriore



Front Axle



i 1) > 1983	2) 1983 >
--------------------	-----------

OCAP	O.E.		i	
0280055	5021410	TESTA STERZO TIE ROD END		RHT 1/2"x20 UNF
0400102	5021425	SNODO SOSPENSIONE - INFERIORE BALL JOINT - LOWER	1)	DIAM. 15 mm.
0400954	5021426	SNODO SOSPENSIONE - INFERIORE BALL JOINT - LOWER	2)	DIAM. 15 mm.
0600953	6186194	SNODO ASSIALE AXIAL JOINT		RHT 1/2"x20 UNF
0900955	6047904 *	KIT CUFFIE STERZO STEERING GAITER KIT		
0901077	6154160	KIT BOCCOLE BARRA STABILIZZATRICE STABILIZING BAR KIT		
1211065	6047900	CUFFIA STERZO STEERING GAITER		
1211066	6047904	CUFFIA STERZO STEERING GAITER		
1215011	1619120	SILENTBLOCK BUSHING		

DESTRO
RIGHT



SINISTRO
LEFT

FIESTA

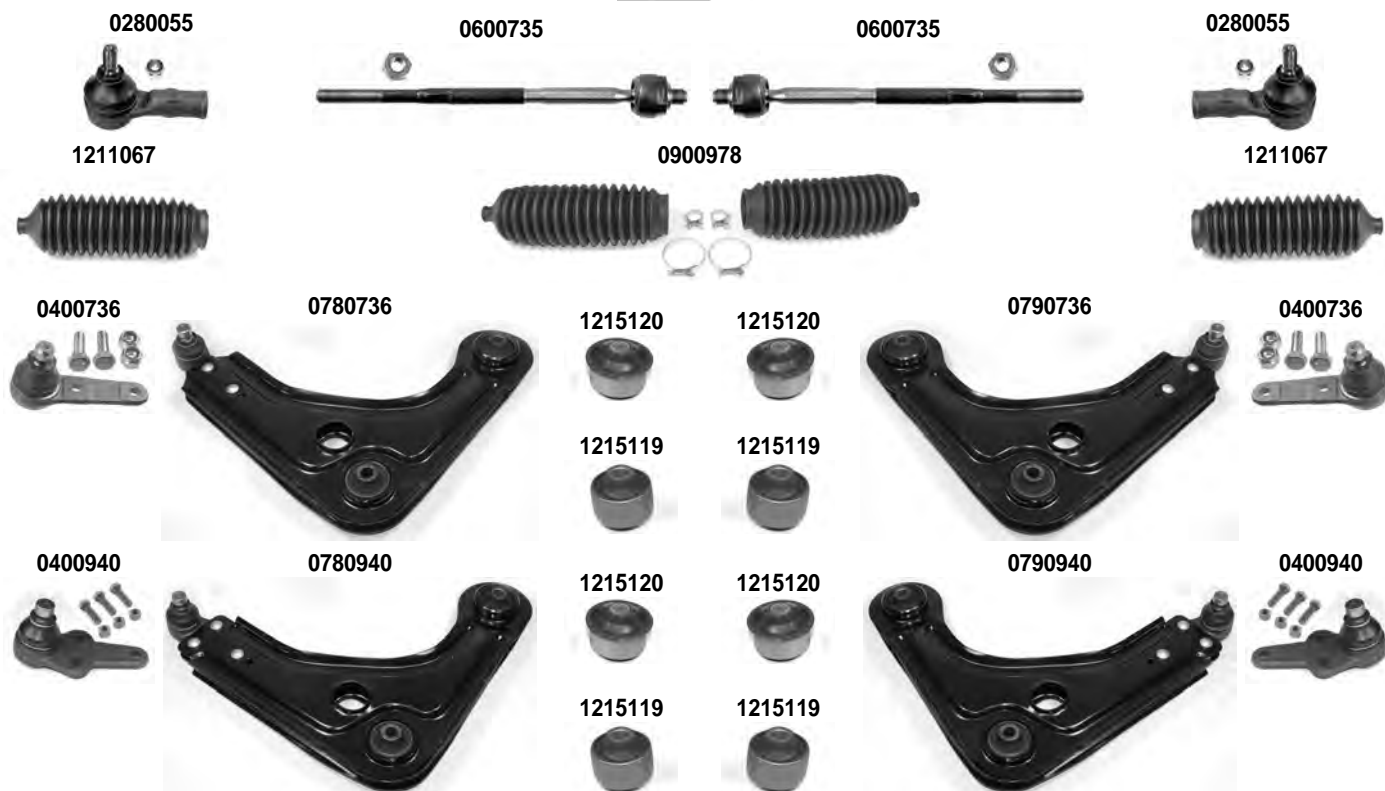
III

1989 > 1993

Asse Anteriore



Front Axle



i 1) > 01/1992 - SOLO PER - ONLY FOR: MOD. 1.0/1.1/1.3/1.4/1.6/1.8D 2) > 12/1993 - SOLO PER - ONLY FOR: MOD. 1.0/1.1/1.3/1.4/1.6/1.8D

OCAP	O.E.		i	
0280055	5021410	TESTA STERZO TIE ROD END		RHT 1/2"x20 UNF.
0400736	6645154 *	SNODO SOSPENSIONE - INFERIORE BALL JOINT - LOWER	1)	DIAM. 17mm.
0400940	1047853	SNODO SOSPENSIONE - INFERIORE BALL JOINT - LOWER		DIAM. 17mm.
0600735	1659374	SNODO ASSIALE AXIAL JOINT		RHT 1/2"x20 UNF.
0780736	6645154	BRACCIO OSCILLANTE TRACK CONTROL ARM	1)	
0780940	1054988	BRACCIO OSCILLANTE TRACK CONTROL ARM	2)	
0790736	6645156	BRACCIO OSCILLANTE TRACK CONTROL ARM	1)	
0790940	1054989	BRACCIO OSCILLANTE TRACK CONTROL ARM	2)	
0900978	6173476 *	KIT CUFFIE STERZO STEERING GAITER KIT		
1211067	6173476	CUFFIA STERZO STEERING GAITER		
1215119	1000445	SILENTBLOCK CENTRALE CENTRAL BUSHING		
1215120	1035929	SILENTBLOCK ESTREMO OUTER BUSHING		

DESTRO
RIGHT



SINISTRO
LEFT

FIESTA		1989 > 1993
---------------	--	-------------

Asse Anteriore



Front Axle



i 3) 10/1990 > 03/1992 - SOLO PER - ONLY FOR: MOD. 1.6	i 4) 03/1992 > 11/1993 - SOLO PER - ONLY FOR: MOD. 1.8 16V ZETEC
---	---

OCAP	O.E.		i	
0400940	1047852	SNODO SOSPENSIONE - INFERIORE <i>BALL JOINT - LOWER</i>		
0400949	6645155 *	SNODO SOSPENSIONE - INFERIORE <i>BALL JOINT - LOWER</i>	3)	DIAM. 17mm.
0780949	7152276	BRACCIO OSCILLANTE <i>TRACK CONTROL ARM</i>	3)	
0780964	7152277	BRACCIO OSCILLANTE <i>TRACK CONTROL ARM</i>	4)	
0790949	7152279	BRACCIO OSCILLANTE <i>TRACK CONTROL ARM</i>	3)	
0790964	7152280	BRACCIO OSCILLANTE <i>TRACK CONTROL ARM</i>	4)	
1215119	1000445	SILENTBLOCK CENTRALE <i>CENTRAL BUSHING</i>		
1215120	1035929	SILENTBLOCK ESTREMO <i>OUTER BUSHING</i>		
1215396	1652936	BOCCOLA BARRA STABILIZZATRICE <i>RUBBER RING STABILIZING BAR</i>		DIAM. 12 mm.

DESTRO
RIGHT



SINISTRO
LEFT

FIESTA

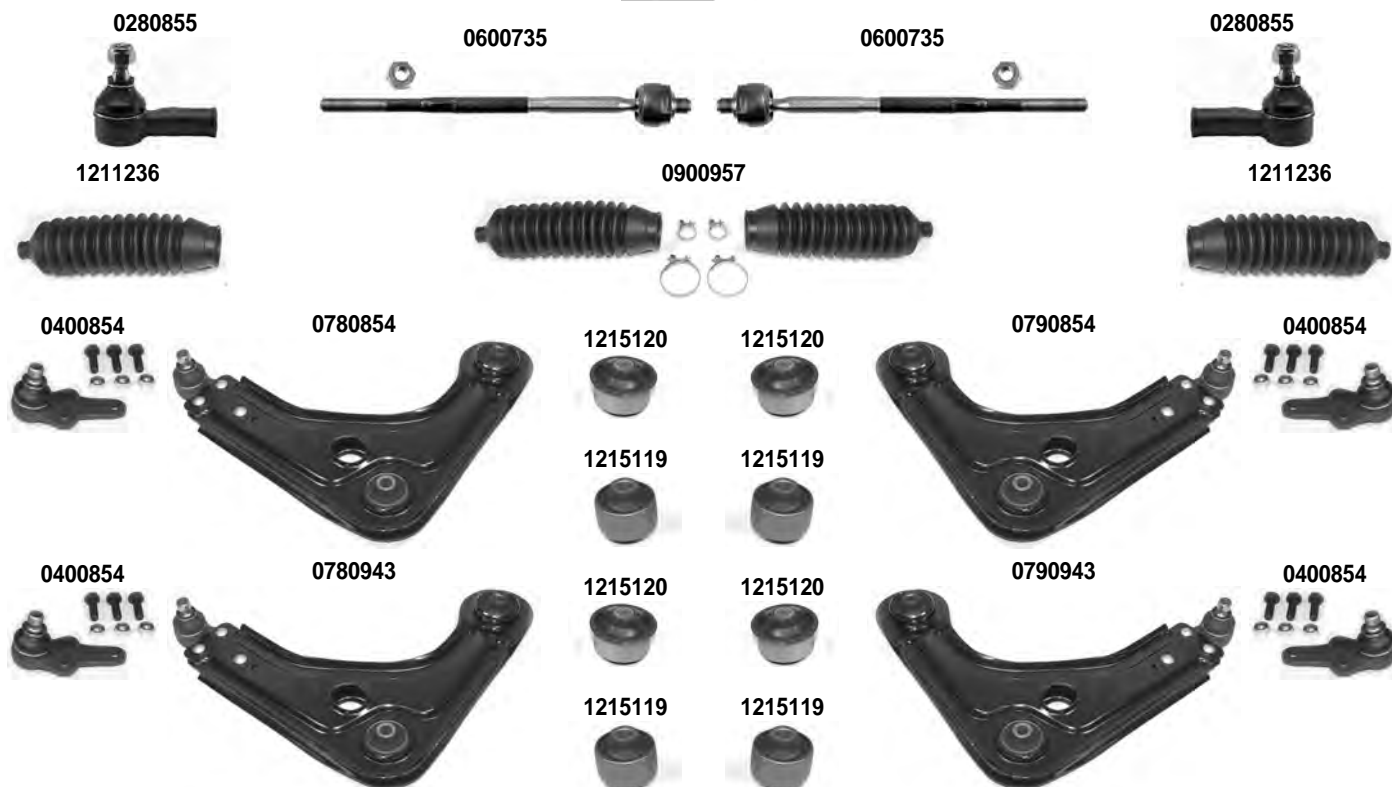
III

1994 > 1995

Asse Anteriore



Front Axle



i 1) STERZO MANUALE - MANUAL STEERING	2) SERVOSTERZO - POWER STEERING
--	---------------------------------

OCAP	O.E.		i	
0280855	6969518	TESTA STERZO TIE ROD END		RHT 1/2"x20 UNF
0400854	1047797	SNODO SOSPENSIONE - INFERIORE BALL JOINT - LOWER		DIAM. 16,5 mm.
0600735	1659374	SNODO ASSIALE AXIAL JOINT		RHT 1/2"x20 UNF
0780854	7152269	BRACCIO OSCILLANTE TRACK CONTROL ARM	1)	
0780943	7152270	BRACCIO OSCILLANTE TRACK CONTROL ARM	2)	
0790854	7152271	BRACCIO OSCILLANTE TRACK CONTROL ARM	1)	
0790943	7152272	BRACCIO OSCILLANTE TRACK CONTROL ARM	2)	
0900957	6177346 *	KIT CUFFIE STERZO STEERING GAITER KIT		
1211236	6177346	CUFFIA STERZO STEERING GAITER		
1215119	1000445	SILENTBLOCK CENTRALE CENTRAL BUSHING		
1215120	1035929	SILENTBLOCK ESTREMO OUTER BUSHING		

DESTRO
RIGHT



SINISTRO
LEFT

FIESTA - COURIER

IV

1995 > 05/1998

Asse Anteriore



Front Axle



i 1) STERZO MANUALE - MANUAL STEERING	2) SERVOSTERZO - POWER STEERING
--	---------------------------------

OCAP	O.E.		
0283963	1011857	TESTA STERZO TIE ROD END	RHT M14X2
0293963	1011858	TESTA STERZO TIE ROD END	RHT M14X2
0400854	1047797	SNODO SOSPENSIONE - INFERIORE SUSPENSION JOINT - LOWER	DIAM. 16,5 mm.
0603964	1044014	SNODO ASSIALE AXIAL JOINT	RHT M14X2
0781839	1071694	BRACCIO OSCILLANTE TRACK CONTROL ARM	2)
0791839	1072279	BRACCIO OSCILLANTE TRACK CONTROL ARM	2)
1211192	1012814	CUFFIA STERZO STEERING GAITER	2)
1211205	6935233	CUFFIA STERZO STEERING GAITER	1)
1215213	1010037	SILENTBLOCK CENTRALE CENTRAL BUSHING	
1215214	1014654	SILENTBLOCK ESTREMO OUTER BUSHING	2)

DESTRO
RIGHT



SINISTRO
LEFT

FIESTA - COURIER

IV

1995 > 05/1998

Asse Anteriore



Front Axle



i 1) STERZO MANUALE - MANUAL STEERING
4) SOLO PER - ONLY FOR: MOD. COURIER

3) SOLO PER - ONLY FOR: MOD. FIESTA

OCAP	O.E.		
0400854	1047797	SNODO SOSPENSIONE - INFERIORE SUSPENSION JOINT - LOWER	DIAM. 16,5 mm.
0501329	1130273	STABILIZZATORE STABILIZER LINK	
0781837	1071683	BRACCIO OSCILLANTE TRACK CONTROL ARM	1) 3)
0781838	1071690	BRACCIO OSCILLANTE TRACK CONTROL ARM	1) 4)
0791837	1071701	BRACCIO OSCILLANTE TRACK CONTROL ARM	1) 3)
0791838	1071702	BRACCIO OSCILLANTE TRACK CONTROL ARM	1) 4)
1214185	1003609	SILENTBLOCK BARRA STABILIZZATRICE STABILIZING BAR BUSHING	DIAM. 15 mm.
1215213	1010037	SILENTBLOCK CENTRALE CENTRAL BUSHING	
1215214	1014654	SILENTBLOCK ESTREMO OUTER BUSHING	

DESTRO
RIGHT



SINISTRO
LEFT

FIESTA - COURIER

IV

05/1998 >2002

Asse Anteriore



Front Axle



i	1) STERZO MANUALE - MANUAL STEERING	2) SERVOSTERZO - POWER STEERING
	3) > 1998	4) 1999 >
	5) SOLO PER - ONLY FOR: MOD. FIESTA	

OCAP	O.E.		i	
0283963	1011857	TESTA STERZO TIE ROD END		RHT M14X2
0293963	1011858	TESTA STERZO TIE ROD END		RHT M14X2
0400854	1047797	SNODO SOSPENSIONE BALL JOINT		DIAM. 16,5 mm.
0603964	1044014	SNODO ASSIALE AXIAL JOINT		RHT M14X2
0781837	1071683	BRACCIO OSCILLANTE TRACK CONTROL ARM	1) 5)	
0791837	1071701	BRACCIO OSCILLANTE TRACK CONTROL ARM	1) 5)	
0901863	-	KIT CUFFIE STERZO STEERING GAITER KIT	2) 4)	
1211192	1012814	CUFFIA STERZO STEERING GAITER	2) 3)	
1211205	6935233	CUFFIA STERZO STEERING GAITER	1)	
1211377	4045250	CUFFIA STERZO STEERING GAITER	2) 4)	
1215213	1010037	SILENTBLOCK CENTRALE CENTRAL BUSHING		
1215214	1014654	SILENTBLOCK ESTREMO OUTER BUSHING		

DESTRO
RIGHT



SINISTRO
LEFT

FIESTA - COURIER

IV

05/1998 >2002

Asse Anteriore



Front Axle



i 1) STERZO MANUALE - MANUAL STEERING
6) SOLO PER - ONLY FOR: MOD. COURIER

2) SERVOSTERZO - POWER STEERING

OCAP	O.E.		i	
0400854	1047797	SNODO SOSPENSIONE BALL JOINT		DIAM. 16,5 mm.
0501329	1130273	STABILIZZATORE STABILIZER LINK		
0781838	1071690	BRACCIO OSCILLANTE TRACK CONTROL ARM	1) 6)	
0781839	1330238	BRACCIO OSCILLANTE TRACK CONTROL ARM	2)	
0791838	1071702	BRACCIO OSCILLANTE TRACK CONTROL ARM	1) 6)	
0791839	1330239	BRACCIO OSCILLANTE TRACK CONTROL ARM	2)	
1214185	1003609	SILENTBLOCK BARRA STABILIZZATRICE STABILIZING BAR BUSHING		DIAM. 15 mm.
1215213	1010037	SILENTBLOCK CENTRALE CENTRAL BUSHING		
1215214	1014654	SILENTBLOCK ESTREMO OUTER BUSHING		

DESTRO
RIGHT



SINISTRO
LEFT

FIESTA
FUSION
FIESTA VAN

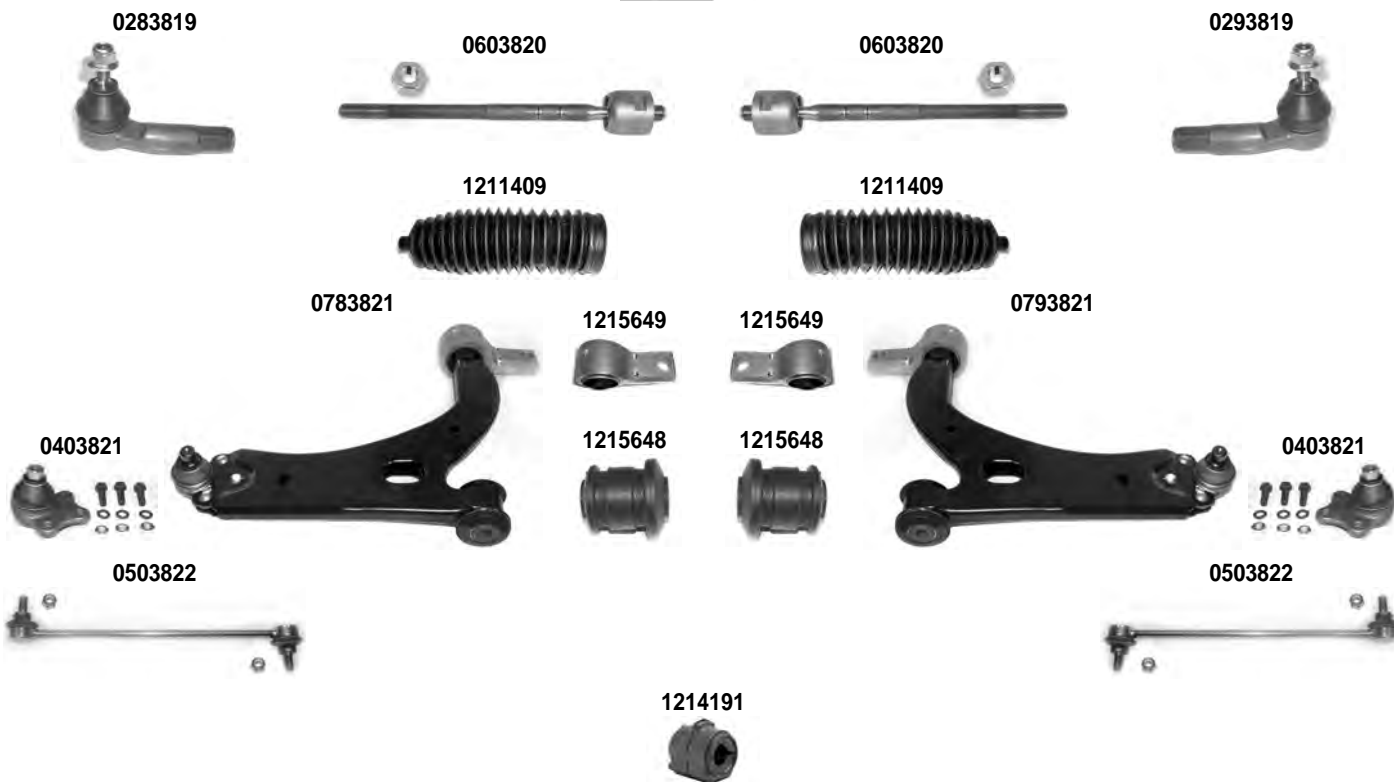
V
JU

2002 > 09/2008
2002 >
10/2003 > 2008

Asse Anteriore



Front Axle



OCAP	O.E.			
0283819	1202548	TESTA STERZO TIE ROD END		RHT M14x1,5
0293819	1202549	TESTA STERZO TIE ROD END		RHT M14x1,5
0403821	1679382	SNODO SOSPENSIONE BALL JOINT		
0503822	1146150	STABILIZZATORE STABILIZER LINK		
0603820	4342539	SNODO ASSIALE AXIAL JOINT		RHT M14x1,5
0783821	1214911	BRACCIO OSCILLANTE TRACK CONTROL ARM		
0793821	1214912	BRACCIO OSCILLANTE TRACK CONTROL ARM		
1211409	4330628	CUFFIA STERZO STEERING GAITER		
1214191	1152852	SILENTBLOCK BARRA STABILIZZATRICE STABILIZING BAR BUSHING		DIAM. 17 mm.
1215648	1212807S1	SILENTBLOCK CENTRALE CENTRAL BUSHING		
1215649	1212807	SILENTBLOCK ESTREMO OUTER BUSHING		

DESTRO
RIGHT



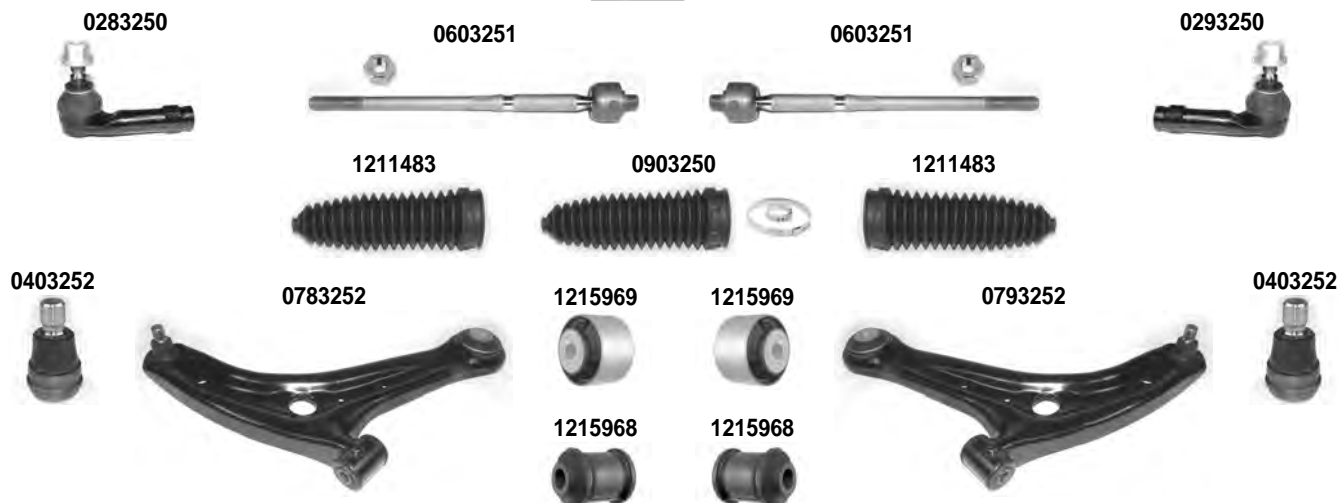
SINISTRO
LEFT

FIESTA FIESTA VAN B-MAX	VI	10/2008 >
	JK	01/2009 > 10/2012 >

Asse Anteriore



Front Axle



i 1) SOLO PER FIESTA - ONLY FOR FIESTA

OCAP	O.E.		i	
0283250	1545338	TESTA STERZO TIE ROD END		RHT M14x1,5
0293250	1545339	TESTA STERZO TIE ROD END		RHT M14x1,5
0403252	1532433 *	SNODO SOSPENSIONE BALL JOINT		DIAM. 17,5 mm.
0603251	1545457	SNODO ASSIALE AXIAL JOINT		RHT M14x1,5
0783252	1540724	BRACCIO OSCILLANTE TRACK CONTROL ARM	1)	
0793252	1540725	BRACCIO OSCILLANTE TRACK CONTROL ARM	1)	
0903250	1545456	KIT CUFFIA STERZO STEERING GAITER KIT		
1211483	77364571 *	CUFFIA STERZO STEERING GAITER		
1215968	1540725 *	SILENTBLOCK CENTRALE CENTRAL BUSHING	1)	
1215969	1540724 *	SILENTBLOCK ESTREMO OUTER BUSHING		

DESTRO
RIGHT



SINISTRO
LEFT

FIESTA FIESTA VAN B-MAX	VI	10/2008 >
	JK	01/2009 > 10/2012 >

Asse Anteriore



Front Axle

0403252



0783251



1215969



1215969



0793251



0403252



1216247



1216247



0503253



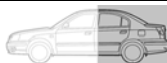
1214193



0503253



Asse Posteriore



Rear Axle

1216427



1216427



i 1) SOLO PER FIESTA - ONLY FOR FIESTA	2) SOLO PER B-MAX - ONLY FOR B-MAX
---	------------------------------------

OCAP	O.E.		i	
0403252	1532433 *	SNODO SOSPENSIONE BALL JOINT		DIAM. 17,5 mm.
0503253	1513343	STABILIZZATORE STABILIZER LINK		
0783251	1834054	BRACCIO OSCILLANTE TRACK CONTROL ARM	2)	
0793251	1834055	BRACCIO OSCILLANTE TRACK CONTROL ARM	2)	
1214193	1528314	SILENTBLOCK BARRA STABILIZZATRICE STABILIZING BAR BUSHING		DIAM. 21 mm.
1215969	1540724 *	SILENTBLOCK ESTREMO OUTER BUSHING		
1216247	AY113063AA	SILENTBLOCK CENTRALE CENTRAL BUSHING	2)	
1216427	1805815	SUPPORTO ASSALE AXLE SUPPORT	1)	

DESTRO
RIGHT



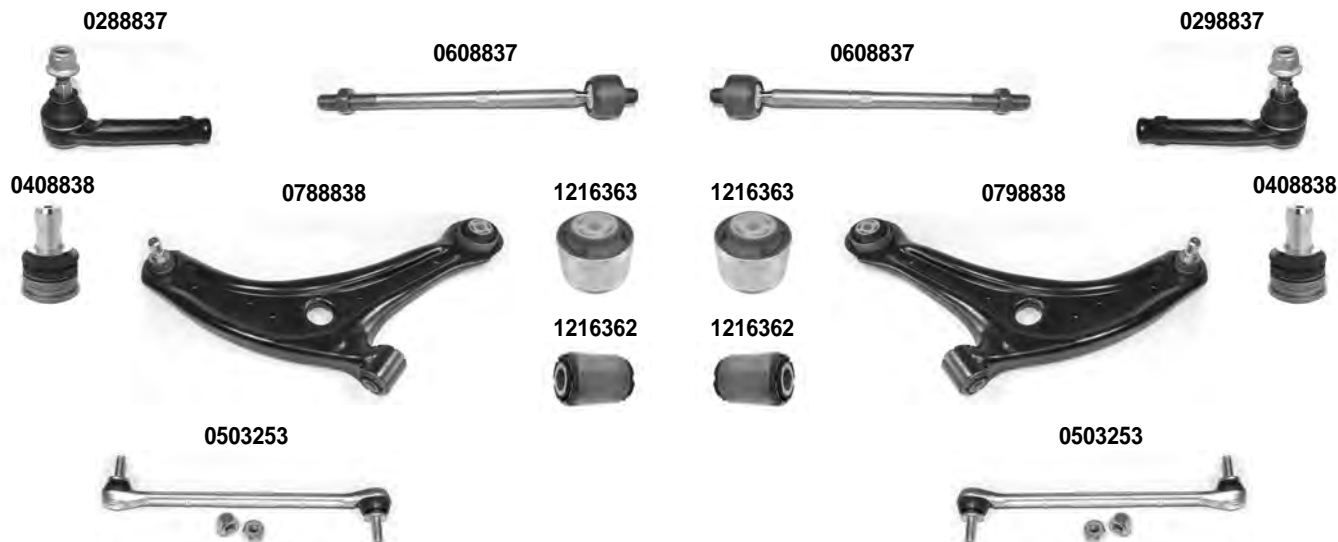
SINISTRO
LEFT

FIESTA	VII	01/2017 >
---------------	-----	-----------

Asse Anteriore



Front Axle



OCAP	O.E.		i	
0288837	2090579	TESTA STERZO TIE ROD END		
0298837	2095043	TESTA STERZO TIE ROD END		
0408838	2112616 *	SNODO SOSPENSIONE - INFERIORE BALL JOINT - LOWER		
0503253	1513343	STABILIZZATORE STABILIZER LINK		
0608837	2090582	SNODO ASSIALE AXIAL JOINT		
0788838	2112616	BRACCIO OSCILLANTE - INFERIORE TRACK CONTROL ARM - LOWER		
0798838	2112614	BRACCIO OSCILLANTE - INFERIORE TRACK CONTROL ARM - LOWER		
1216362	2112616 **	SILENTBLOCK CENTRALE CENTRAL BUSHING		
1216363	2112614 **	SILENTBLOCK ESTREMO OUTER BUSHING		

DESTRO
RIGHT

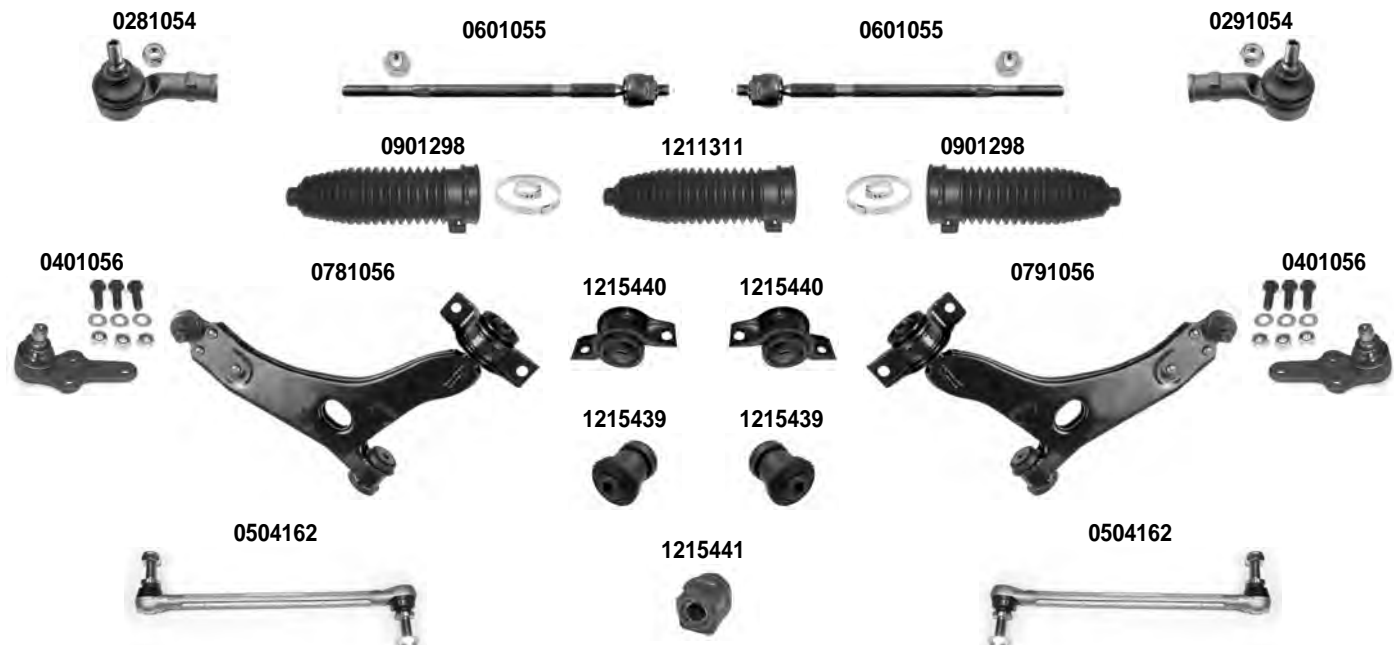


SINISTRO
LEFT

FOCUS		1998 > 2004
-------	--	-------------

Asse Anteriore

Front Axle



i 1) ESCLUSO - EXCEPT: MOD. ST160

OCAP	O.E.		i	
0281054	1107013	TESTA STERZO TIE ROD END		RHT M14x2
0291054	1074306	TESTA STERZO TIE ROD END		RHT M14x2
0401056	1148931	SNODO SOSPENSIONE - INFERIORE BALL JOINT - LOWER		
0504162	1209035	STABILIZZATORE - ALLUMINIO STABILIZER LINK - ALUMINIUM		
0601055	1085520	SNODO ASSIALE AXIAL JOINT	1)	RHT M14x2
0781056	1090730	BRACCIO OSCILLANTE - INFERIORE TRACK CONTROL ARM - LOWER		
0791056	1090738	BRACCIO OSCILLANTE - INFERIORE TRACK CONTROL ARM - LOWER		
0901298	-	KIT CUFFIE STERZO STEERING GAITER KIT		
1211311	3043575	CUFFIA STERZO STEERING GAITER		
1215439	1061570	SILENTBLOCK CENTRALE CENTRAL BUSHING		
1215440	1067918	SILENTBLOCK ESTREMO OUTER BUSHING		
1215441	1073217	BOCCOLA BARRA STABILIZZATRICE STABILIZING BAR BUSHING		DIAM. 18 mm.

DESTRO
RIGHT

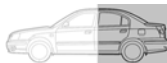


SINISTRO
LEFT

FOCUS

1998 > 2004

Asse Posteriore



Rear Axle



i 2) ECCEETTO - EXCEPT: MOD. SW 3) SOLO PER - ONLY FOR: MOD. SW

OCAP	O.E.		
0702739	1517403	BRACCIO SOSPENSIONE SUSPENSION ARM	2)
0702752	1064128	BRACCIO SOSPENSIONE SUSPENSION ARM	
0704285	1448127	BRACCIO SOSPENSIONE SUSPENSION ARM	3)
0704498	1105524	BRACCIO SOSPENSIONE SUSPENSION ARM	
0904165	1203093	STABILIZZATORE STABILIZER LINK	
1214187	1073249	SILENTBLOCK BARRA STABILIZZATRICE STABILIZING BAR BUSHING	DIAM. 18 mm.
1215883	-	SILENTBLOCK BUSHING	
1216032	1357319 *	SILENTBLOCK BUSHING	
1216060	1105524 *	SILENTBLOCK BUSHING	
1216073	1061670	SILENTBLOCK BUSHING	
1216192	1064128 **	SILENTBLOCK BUSHING	

DESTRO
RIGHT



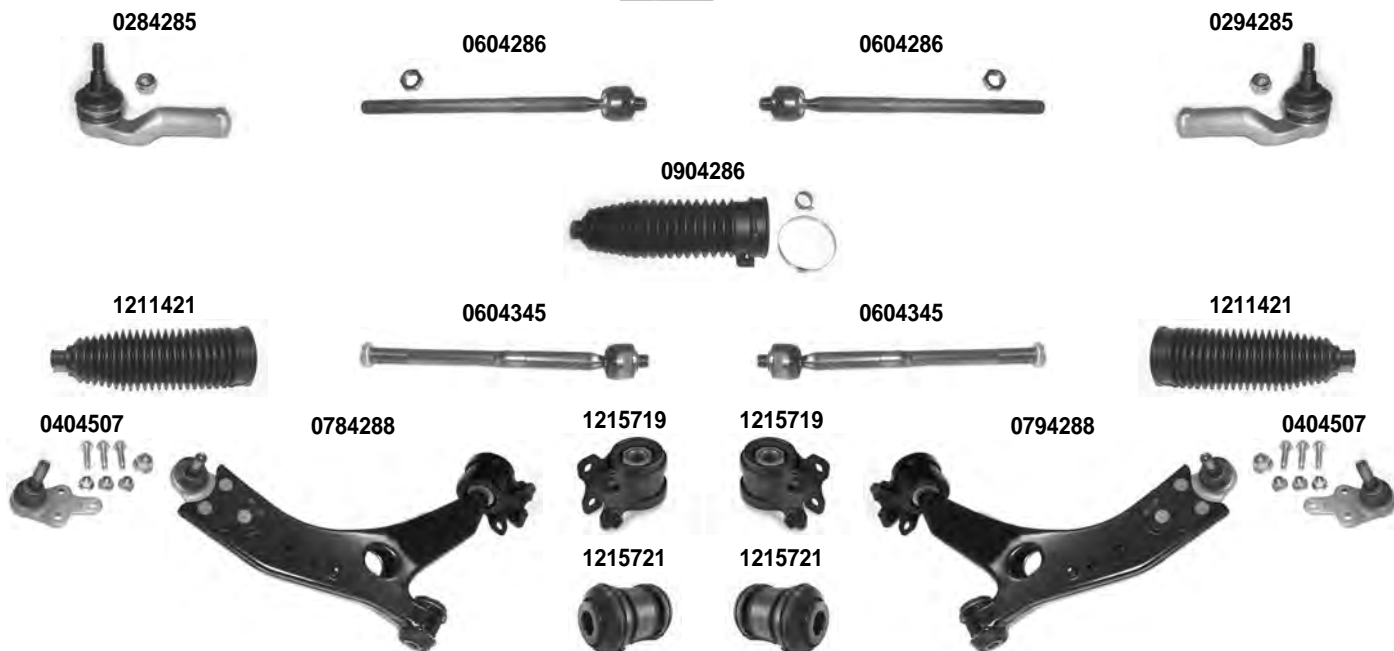
SINISTRO
LEFT

FOCUS
FOCUS C-MAX
C-MAX

2005 > 03/2011
2003 > 03/2007
03/2007 > 11/2010

Asse Anteriore

Front Axle



i 1) SOLO PER - ONLY FOR: MOD. FOCUS
3) > 02/2006

2) SOLO PER - ONLY FOR: MOD. C-MAX

OCAP	O.E.		i	
0284285	1388549	TESTA STERZO TIE ROD END		RHT M16x1,5
0294285	1404785	TESTA STERZO TIE ROD END		RHT M16x1,5
0404507	1234382	SNODO SOSPENSIONE BALL JOINT	3)	DIAM. 18 mm.
0604286	1377655	SNODO ASSIALE AXIAL JOINT	1)	RHT M16x1,5
0604345	1251937	SNODO ASSIALE AXIAL JOINT	2)	
0784288	1332074	BRACCIO OSCILLANTE TRACK CONTROL ARM	3)	
0794288	1332075	BRACCIO OSCILLANTE TRACK CONTROL ARM	3)	
0904286	1377499	KIT CUFFIA STERZO STEERING GAITER KIT	1)	
1211421	1334215	CUFFIA STERZO STEERING GAITER	2)	
1215719	1488110 *	SILENTBLOCK ESTREMO OUTER BUSHING		
1215721	1332074 **	SILENTBLOCK CENTRALE CENTRAL BUSHING		

DESTRO
RIGHT



SINISTRO
LEFT

FOCUS
FOCUS C-MAX
C-MAX

||
|
|

2005 > 03/2011
2003 > 03/2007
03/2007 > 11/2010

Asse Anteriore



Front Axle



Asse Posteriore



Rear Axle



i 4) 03/2006 >
6) SOLO PER - ONLY FOR: MOD. SW

5) ECCETTO - EXCEPT: MOD. SW - CABRIO

OCAP	O.E.		i	
0403135	1470387	SNODO SOSPENSIONE BALL JOINT	4)	DIAM. 21 mm.
0504346	1230909	STABILIZZATORE STABILIZER LINK		
0702739	1517403	BRACCIO SOSPENSIONE SUSPENSION ARM	5)	
0704285	1448127	BRACCIO SOSPENSIONE SUSPENSION ARM	6)	
0783135	1488110	BRACCIO OSCILLANTE TRACK CONTROL ARM	4)	
0793135	1488111	BRACCIO OSCILLANTE TRACK CONTROL ARM	4)	
1214240	1348231	SILENTBLOCK BARRA STABILIZZATRICE STABILIZING BAR BUSHING		DIAM. 15 mm.
1215719	1488110 *	SILENTBLOCK ESTREMO OUTER BUSHING		
1215721	1332074 **	SILENTBLOCK CENTRALE CENTRAL BUSHING		
1215883	-	SILENTBLOCK BUSHING		

DESTRO
RIGHT



SINISTRO
LEFT

FOCUS FOCUS C-MAX C-MAX	 	2005 > 03/2011 2003 > 03/2007 03/2007 > 11/2010
--	-----------	---

Asse Posteriore

Rear Axle



5) ECCETTO - EXCEPT: MOD. SW - CABRIO 7) > 12/2008 9) ECCETTO - EXCEPT: MOD. FOCUS C-MAX 1.6 ZETEC S	6) SOLO PER - ONLY FOR: MOD. SW 8) 01/2009 > 10) SOLO PER - ONLY FOR: MOD. FOCUS C-MAX 1.6 ZETEC S
--	--

OCAP	O.E.		i	
0504290	1734686	STABILIZZATORE STABILIZER LINK	9)	
0704289	1548460	BRACCIO SOSPENSIONE SUSPENSION ARM	5)	
0704290	1357319	BRACCIO SOSPENSIONE SUSPENSION ARM	6)	
0704498	1105524	BRACCIO SOSPENSIONE SUSPENSION ARM	7)	
0784287	1576925	BRACCIO SOSPENSIONE SUSPENSION ARM	8)	
0794287	1576927	BRACCIO SOSPENSIONE SUSPENSION ARM	8)	
0904165	1203093	STABILIZZATORE STABILIZER LINK	10)	
1214241	1345913	SILENTBLOCK BARRA STABILIZZATRICE STABILIZING BAR BUSHING		DIAM. 16 mm.
1216032	1357319 *	SILENTBLOCK BUSHING		
1216060	1105524 *	SILENTBLOCK BUSHING		
1216061	1254368	SILENTBLOCK BUSHING	10)	
1216073	1061670	SILENTBLOCK BUSHING		
1216191	1357319 **	SILENTBLOCK BUSHING		

DESTRO
RIGHT



SINISTRO
LEFT

FOCUS
C-MAX
GRAND C-MAX

III
II
I

04/2011 >
12/2010 >
12/2010 >

Asse Anteriore



Front Axle



i 1) SERVOSTERZO ELETTRICO - ELECTRIC POWER STEERING 2) SOLO PER FOCUS - ONLY FOR FOCUS - SERVOSTERZO IDRAULICO - HYDRAULIC POWER STEERING

OCAP	O.E.		
0288069	1714576	TESTA STERZO TIE ROD END	RHT M16x1,5
0298069	1714700	TESTA STERZO TIE ROD END	RHT M16x1,5
0488069	1702970 *	SNODO SOSPENSIONE - INFERIORE BALL JOINT - LOWER	
0498069	1702983 *	SNODO SOSPENSIONE - INFERIORE BALL JOINT - LOWER	
0504346	1230909	STABILIZZATORE STABILIZER LINK	
0604345	1251937	SNODO ASSIALE AXIAL JOINT	1) RHT M16x1,5
0608069	1899978	SNODO ASSIALE AXIAL JOINT	2) RHT M16x1,5
0788069	1702970	BRACCIO OSCILLANTE - INFERIORE TRACK CONTROL ARM - LOWER	
0798069	1702983	BRACCIO OSCILLANTE - INFERIORE TRACK CONTROL ARM - LOWER	
1211421	1334215	CUFFIA STERZO STEERING GAITER	
1216067	-	SILENTBLOCK - ESTREMO OUTER BUSHING	
1216068	-	SILENTBLOCK - CENTRALE CENTRAL BUSHING	

DESTRO
RIGHT



SINISTRO
LEFT

FOCUS
C-MAX
GRAND C-MAX



04/2011 >
12/2010 >
12/2010 >

Asse Posteriore



Rear Axle



<p>i 3) MOD. CON SOSPENSIONI STANDARD - MODELS WITH STANDARD SUSPENSIONS 5) SOLO PER - ONLY FOR: FOCUS SW - TURNIER (COMBI - ESTATE)</p>	<p>4) ECCETTO MOD. CON SOSPENSIONI STANDARD - EXCEPT MODELS WITH STANDARD SUSPENSIONS</p>
---	---

OCAP	O.E.		i	
0508069	1767896	STABILIZZATORE STABILIZER LINK	4)	
0508070	1719542	STABILIZZATORE STABILIZER LINK	3)	
0702739	1517403	BRACCIO OSCILLANTE TRACK CONTROL ARM		
0704498	1105524	BRACCIO OSCILLANTE TRACK CONTROL ARM		
0708661	1882884	BRACCIO OSCILLANTE TRACK CONTROL ARM	5)	
1215883	-	SILENTBLOCK BUSHING		

DESTRO
RIGHT



SINISTRO
LEFT

GALAXY I

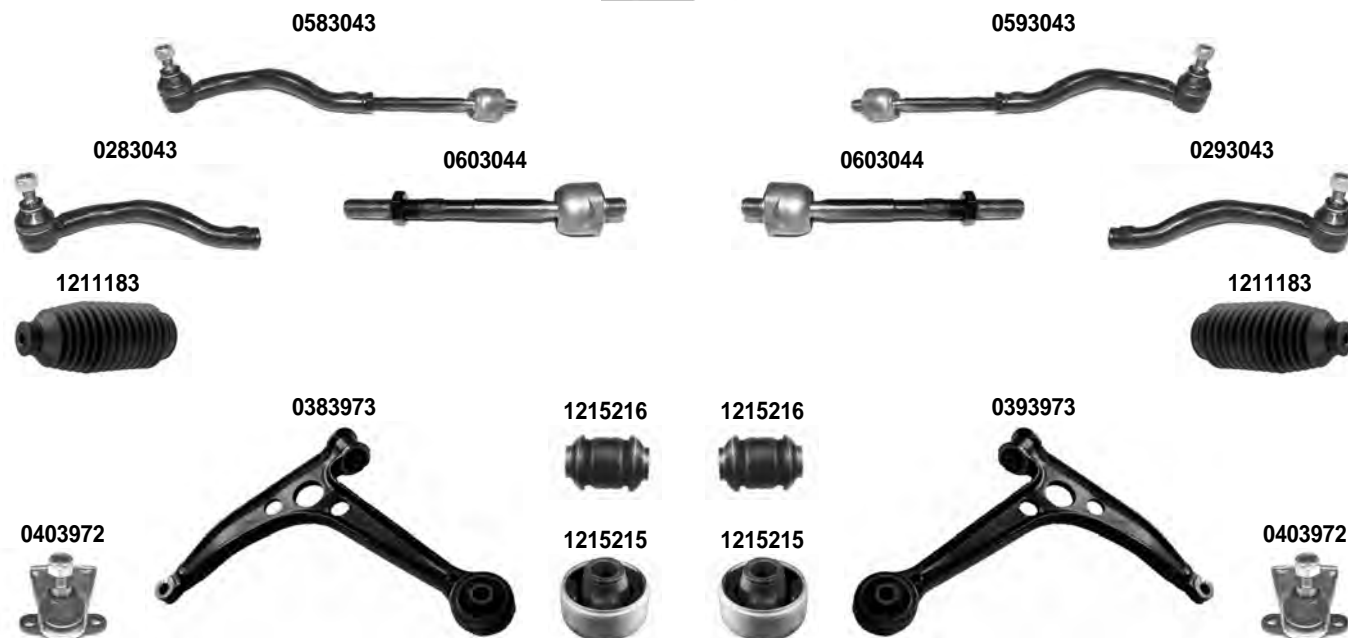
WGR

1995 > 2006

Asse Anteriore



Front Axle



OCAP	O.E.		
0283043	1092377	TESTA STERZO TIE ROD END	RHT M14x1,5
0293043	1092380	TESTA STERZO TIE ROD END	RHT M14x1,5
0383973	1012632	BRACCIO OSCILLANTE TRACK CONTROL ARM	
0393973	1007602	BRACCIO OSCILLANTE TRACK CONTROL ARM	
0403972	7200946	SNODO SOSPENSIONE BALL JOINT	
0583043	1020496	BARRA STERZO TIE ROD	
0593043	1020497	BARRA STERZO TIE ROD	
0603044	1020496 *	SNODO ASSIALE AXIAL JOINT	RHT M14x1,5
1211183	7398680	CUFFIA STERZO STEERING GAITER	
1215215	7396830	SILENTBLOCK ESTREMO OUTER BUSHING	
1215216	7201717	SILENTBLOCK CENTRALE CENTRAL BUSHING	

DESTRO
RIGHT



SINISTRO
LEFT

GALAXY I	WGR	1995 > 2006
-----------------	-----	-------------

Asse Anteriore



Front Axle

0503974



1214094



0503974



Asse Posteriore





Rear Axle

1215216



1214099



OCAP	O.E.		
0503974	7200959	STABILIZZATORE STABILIZER LINK	
1214094	7200957	SILENTBLOCK BARRA STABILIZZATRICE STABILIZING BAR BUSHING	DIAM. 17 mm.
1214099	1001713	SILENTBLOCK BARRA STABILIZZATRICE STABILIZING BAR BUSHING	DIAM. 20.6 mm.
1215216	7201717	SILENTBLOCK BUSHING	

DESTRO
RIGHT

 SINISTRO
LEFT

GALAXY II
S-MAX I

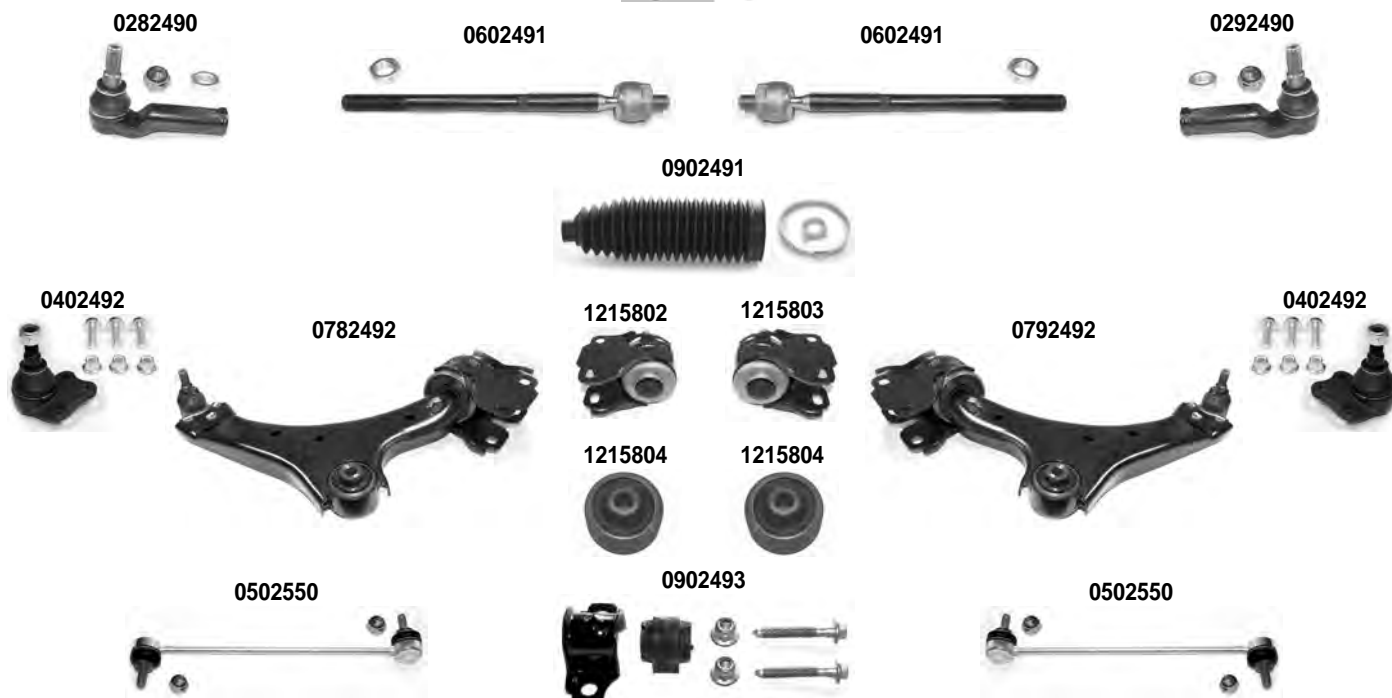
 WA6
WA6

 05/2006 > 2015
05/2006 > 2015

Asse Anteriore



Front Axle



OCAP	O.E.		
0282490	1433273	TESTA STERZO TIE ROD END	RHT M18x1,5
0292490	1433274	TESTA STERZO TIE ROD END	RHT M18x1,5
0402492	-	SNODO SOSPENSIONE BALL JOINT	
0502550	1377849	STABILIZZATORE STABILIZER LINK	
0602491	1596574	SNODO ASSIALE AXIAL JOINT	RHT M18x1,5
0782492	1507181	BRACCIO OSCILLANTE TRACK CONTROL ARM	
0792492	1507182	BRACCIO OSCILLANTE TRACK CONTROL ARM	
0902491	1433372	KIT CUFFIA STERZO STEERING GAITER KIT	
0902493	-	KIT BARRA STABILIZZATRICE STABILIZING BAR KIT	
1215802	-	SILENTBLOCK ESTREMO OUTER BUSHING	
1215803	-	SILENTBLOCK ESTREMO OUTER BUSHING	
1215804	-	SILENTBLOCK CENTRALE CENTRAL BUSHING	

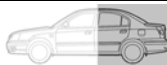
DESTRO
RIGHT



SINISTRO
LEFT

GALAXY II S-MAX I	WA6 WA6	05/2006 > 2015 05/2006 > 2015
------------------------------------	------------	----------------------------------

Asse Posteriore



Rear Axle



OCAP	O.E.			
0301534	1457609	BRACCIO SOSPENSIONE CONTROL ARM		
0502495	1425853	STABILIZZATORE STABILIZER LINK		
0701535	1426770	BRACCIO SOSPENSIONE SUSPENSION ARM		
0708840	1469125	BRACCIO SOSPENSIONE SUSPENSION ARM		
0902494	-	KIT BARRA STABILIZZATRICE STABILIZING BAR KIT		
1216033	1457609 *	SILENTBLOCK BUSHING		
1216034	1426770 *	SILENTBLOCK BUSHING		
1216364	1469125 *	SILENTBLOCK BUSHING		45x40,5x12,1
1216365	1377447 *	SILENTBLOCK BUSHING		54,5x37,5x12,1

DESTRO
RIGHT



SINISTRO
LEFT

GALAXY III
S-MAX II

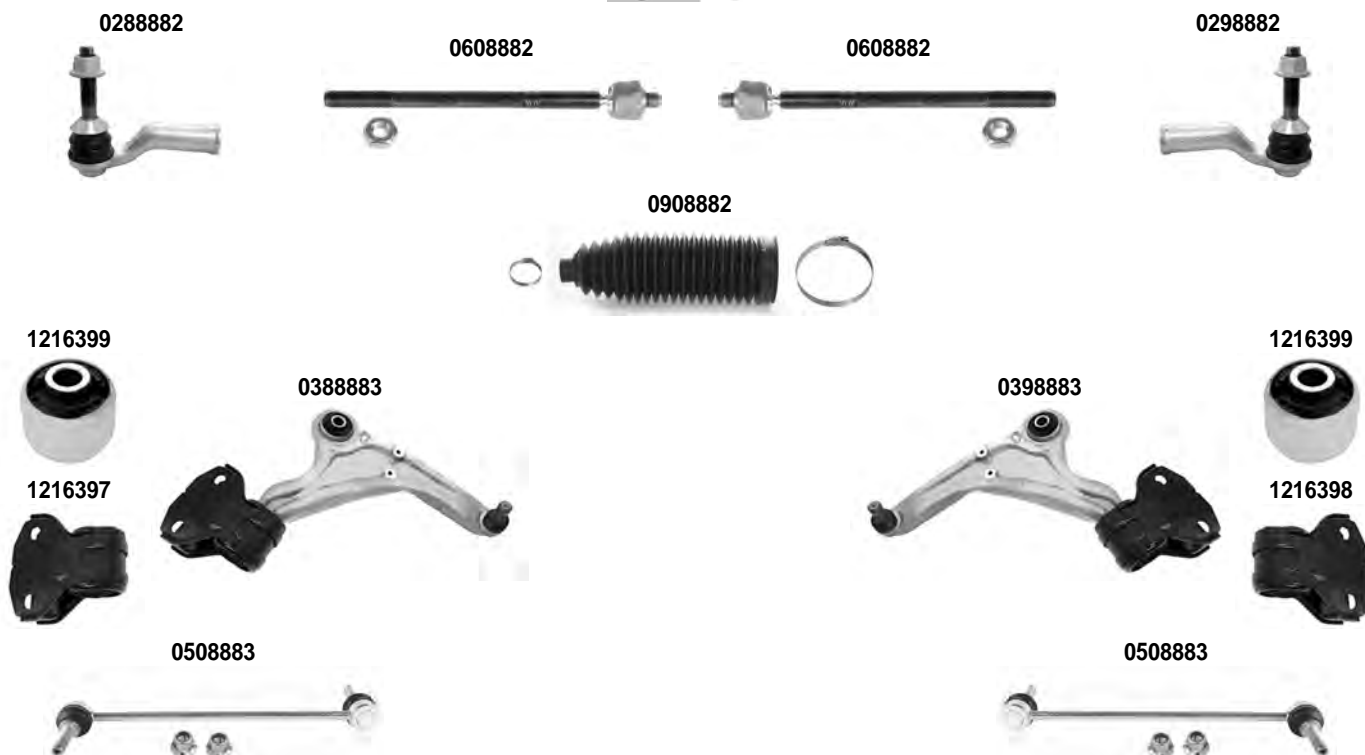
CK
CJ

01/2015 >
02/2015 >

Asse Anteriore



Front Axle



OCAP	O.E.		i	
0288882	1802974	TESTA STERZO TIE ROD END		RHT M18x1,5
0298882	1802977	TESTA STERZO TIE ROD END		RHT M18x1,5
0388883	1877652	BRACCIO OSCILLANTE TRACK CONTROL ARM		
0398883	1877653	BRACCIO OSCILLANTE TRACK CONTROL ARM		
0508883	5182780	STABILIZZATORE STABILIZER LINK		
0608882	1824228	SNODO ASSIALE AXIAL JOINT		RHT M18x1,5
0908882	5253030	KIT CUFFIA STERZO STEERING GAITER KIT		
1216397	1877652*	SILENTBLOCK ESTREMO OUTER BUSHING		
1216398	1877653*	SILENTBLOCK ESTREMO OUTER BUSHING		
1216399	1877652**	SILENTBLOCK CENTRALE CENTRAL BUSHING		

DESTRO
RIGHT



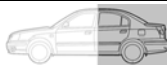
SINISTRO
LEFT

GALAXY III
S-MAX II

CK
CJ

01/2015 >
02/2015 >

Asse Posteriore



Rear Axle

1216425



0508884



1216424



0508884



OCAP	O.E.			
0508884	5295981	STABILIZZATORE STABILIZER LINK		
1216424	2040702	SILENTBLOCK BUSHING		
1216425	2040703	SILENTBLOCK BUSHING		

DESTRO
RIGHT



SINISTRO
LEFT

KA

KA		1997 > 11/2008
----	--	----------------

Asse Anteriore



Front Axle



i 1) STERZO MANUALE - MANUAL STEERING	2) SERVOSTERZO - POWER STEERING
--	---------------------------------

OCAP	O.E.		i	
0280855	6969518	TESTA STERZO TIE ROD END		RHT 1/2" x20 UNF
0400854	1047797	SNODO SOSPENSIONE - INFERIORE BALL JOINT - LOWER		DIAM. 16,5 mm.
0601328	4048739	SNODO ASSIALE AXIAL JOINT		RHT 1/2" x20 UNF
0780943	1063985	BRACCIO OSCILLANTE TRACK CONTROL ARM	2)	
0783830	1063987	BRACCIO OSCILLANTE TRACK CONTROL ARM	1)	
0790943	1063986	BRACCIO OSCILLANTE TRACK CONTROL ARM	2)	
0793830	1063988	BRACCIO OSCILLANTE TRACK CONTROL ARM	1)	
1211192	1012814	CUFFIA STERZO STEERING GAITER	2)	
1211205	6935233	CUFFIA STERZO STEERING GAITER	1)	
1215119	1000445	SILENTBLOCK CENTRALE CENTRAL BUSHING		
1215120	1035929	SILENTBLOCK ESTREMO OUTER BUSHING		

KA

DESTRO
RIGHT



SINISTRO
LEFT

KA		1997 > 11/2008
----	--	----------------

Asse Anteriore



Front Axle



i 3) SOLO PER - ONLY FOR: 1.6i - 04/2003 >

OCAP	O.E.		i	
0400854	1047797	SNODO SOSPENSIONE - INFERIORE BALL JOINT - LOWER		DIAM. 16,5 mm.
0501329	1130273	STABILIZZATORE STABILIZER LINK		
0789225	1448485	BRACCIO OSCILLANTE TRACK CONTROL ARM	3)	
0799225	1448487	BRACCIO OSCILLANTE TRACK CONTROL ARM	3)	
1214185	1003609	SILENTBLOCK BARRA STABILIZZATRICE STABILIZING BAR BUSHING		DIAM. 15 mm.
1215119	1000445	SILENTBLOCK CENTRALE CENTRAL BUSHING		
1215120	1035929	SILENTBLOCK ESTREMO OUTER BUSHING		

DESTRO
RIGHT



SINISTRO
LEFT

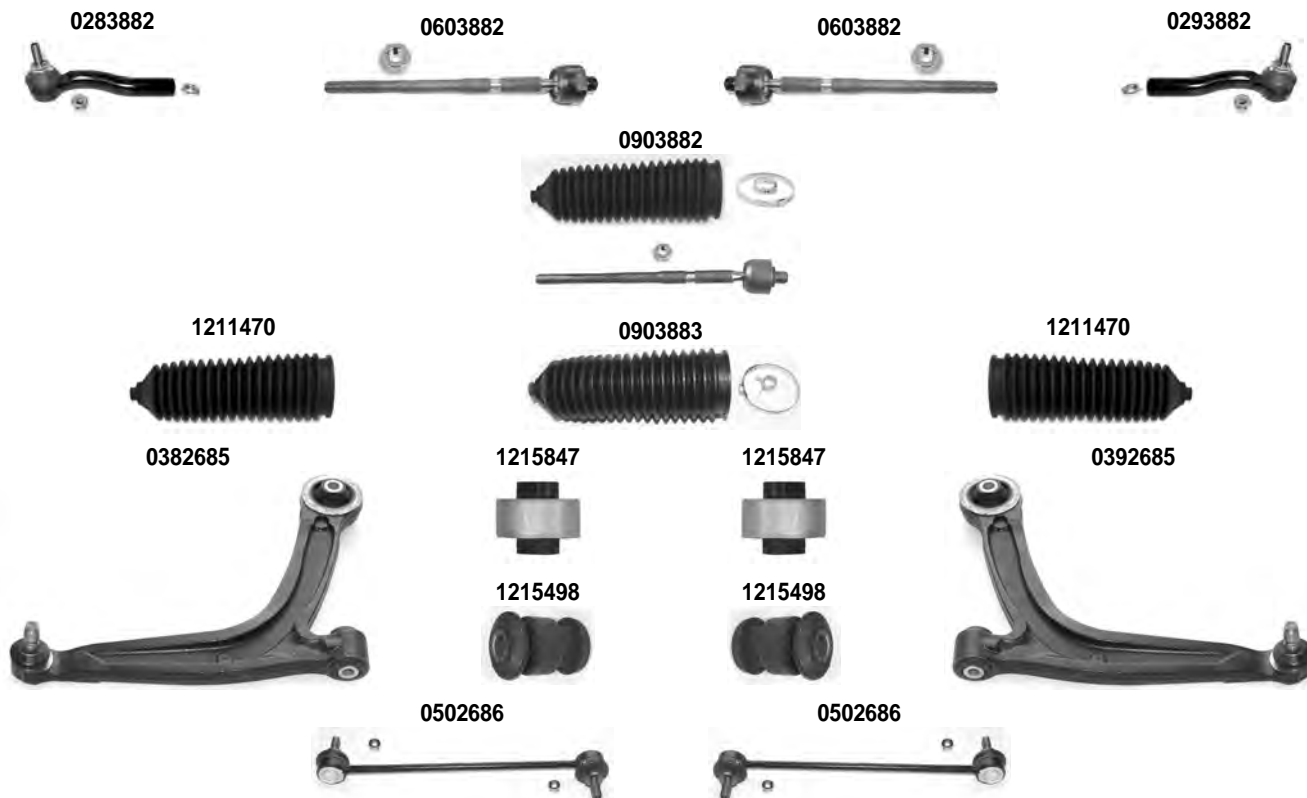
KA

KA	II	10/2008 >
----	----	-----------

Asse Anteriore



Front Axle



OCAP	O.E.		i	
0283882	1546260	TESTA STERZO TIE ROD END		RHT M12X1,5
0293882	1546259	TESTA STERZO TIE ROD END		RHT M12X1,5
0382685	1639575	BRACCIO OSCILLANTE - INFERIORE - GHISA TRACK CONTROL ARM - LOWER - CAST IRON		
0392685	1639574	BRACCIO OSCILLANTE - INFERIORE - GHISA TRACK CONTROL ARM - LOWER - CAST IRON		
0502686	1580517	STABILIZZATORE STABILIZER LINK		
0603882	-	SNODO ASSIALE STERZO AXIAL JOINT		RHT M12X1,5
0903882	1541355 *	KIT SNODO ASSIALE STERZO AXIAL JOINT KIT		RHT M12X1,5
0903883	77362509	KIT CUFFIA STERZO STEERING GAITER KIT		
1211470	77362509 *	CUFFIA STERZO STEERING GAITER		
1215498	-	SILENTBLOCK - CENTRALE CENTRAL SILENTBLOCK		
1215847	-	SILENTBLOCK - ESTREMO OUTER SILENTBLOCK		

DESTRO
RIGHT



SINISTRO
LEFT

KUGA		03/2008 >
-------------	--	-----------

Asse Anteriore



Front Axle



Asse Posteriore



Rear Axle



OCAP	O.E.		
0286494	1501853	TESTA STERZO TIE ROD END	RHT M16X1,5
0296494	1501855	TESTA STERZO TIE ROD END	RHT M16X1,5
0486494	1502086 *	SNODO SOSPENSIONE - INFERIORE BALL JOINT - LOWER	
0496494	1502087 *	SNODO SOSPENSIONE - INFERIORE BALL JOINT - LOWER	
0504346	1230909	STABILIZZATORE STABILIZER LINK	
0604345	1251937	SNODO ASSIALE AXIAL JOINT	RHT M16X1,5
0786494	1502086	BRACCIO OSCILLANTE - INFERIORE TRACK CONTROL ARM - LOWER	
0796494	1502087	BRACCIO OSCILLANTE - INFERIORE TRACK CONTROL ARM - LOWER	
1215719	1488110 *	SILENTBLOCK ESTREMO OUTER BUSHING	
1215721	1332074 **	SILENTBLOCK CENTRALE CENTRAL BUSHING	
1216061	1254368	SILENTBLOCK BUSHING	
0506494-K	1502681	STABILIZZATORE STABILIZER LINK	

DESTRO
RIGHT



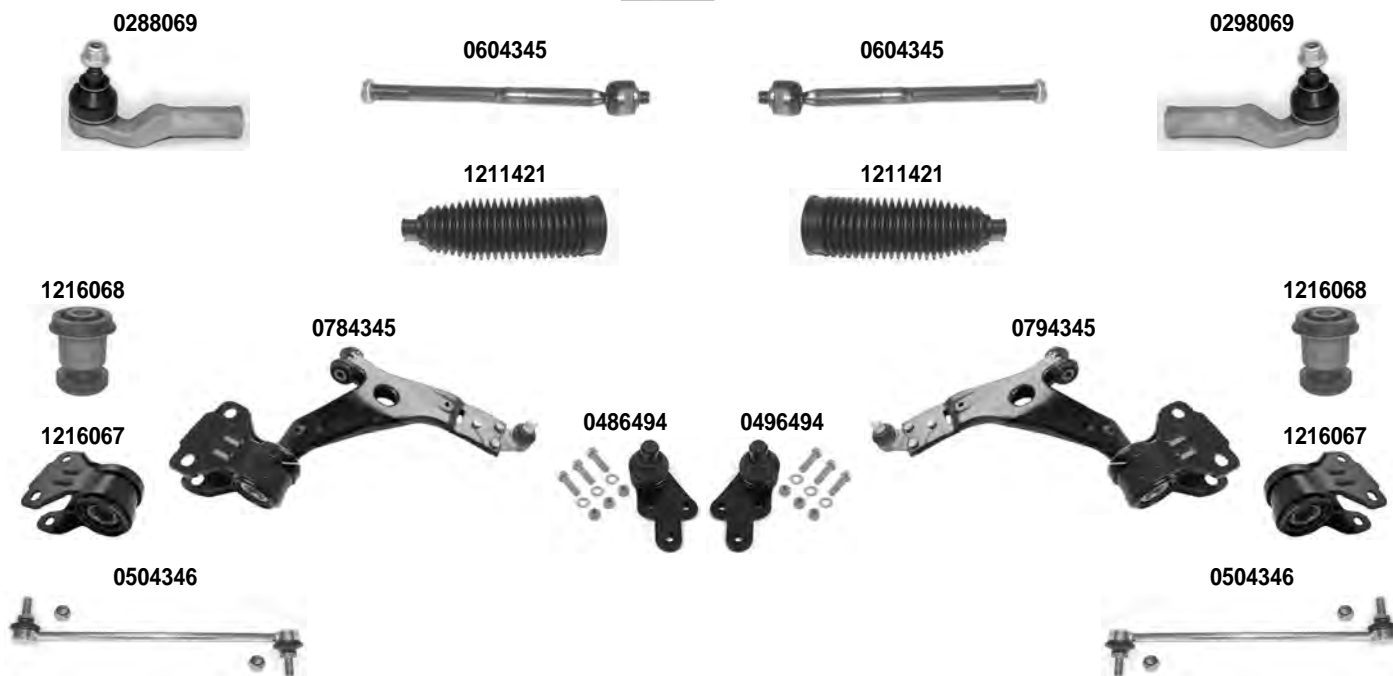
SINISTRO
LEFT

KUGA		03/2013 >
------	--	-----------

Asse Anteriore



Front Axle



OCAP	O.E.		
0288069	1714576	TESTA STERZO TIE ROD END	RHT M16x1,5
0298069	1714700	TESTA STERZO TIE ROD END	RHT M16x1,5
0486494	1502086 *	SNODO SOSPENSIONE - INFERIORE BALL JOINT - LOWER	
0496494	1502087 *	SNODO SOSPENSIONE - INFERIORE BALL JOINT - LOWER	
0504346	1230909	STABILIZZATORE STABILIZER LINK	
0604345	1251937	SNODO ASSIALE AXIAL JOINT	RHT M16x1,5
0784345	1793236	BRACCIO OSCILLANTE - INFERIORE TRACK CONTROL ARM - LOWER	
0794345	1793237	BRACCIO OSCILLANTE - INFERIORE TRACK CONTROL ARM - LOWER	
1211421	1334215	CUFFIA STERZO STEERING GAITER	
1216067	-	SILENTBLOCK - ESTREMO OUTER BUSHING	
1216068	-	SILENTBLOCK - CENTRALE CENTRAL BUSHING	

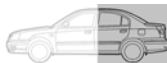
DESTRO
RIGHT



SINISTRO
LEFT

KUGA		03/2013 >
-------------	--	-----------

Asse Posteriore



Rear Axle

1215883

0704285

1215883

1215883

0704285

1215883





0506494-K



0506494-K



OCAP	O.E.			
0704285	1448127	BRACCIO SOSPENSIONE <i>SUSPENSION ARM</i>		
1215883	-	SILENTBLOCK <i>BUSHING</i>		
0506494-K	1502681	STABILIZZATORE <i>STABILIZER LINK</i>		

DESTRO
RIGHT



SINISTRO
LEFT

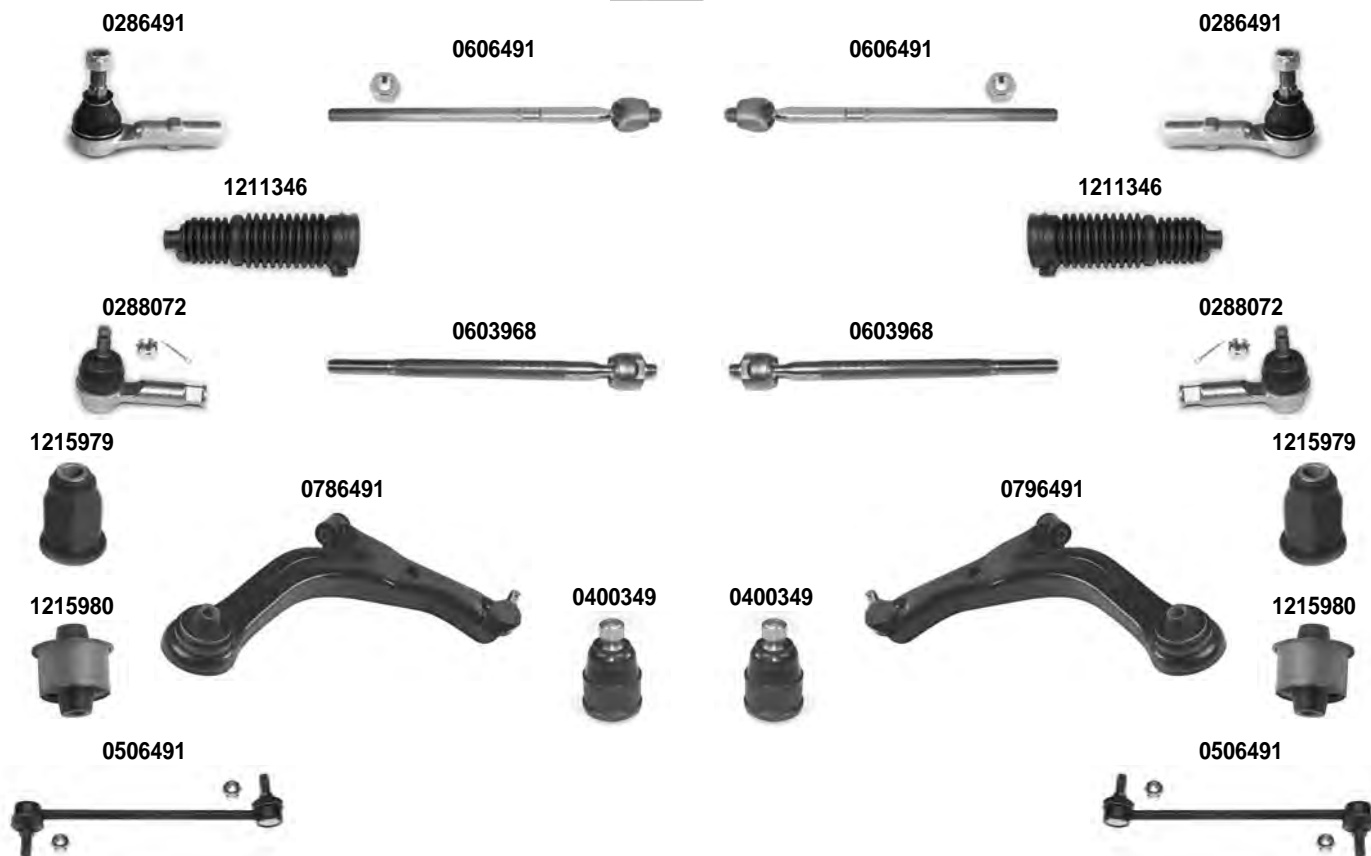
MAVERICK

02/2001 >

Asse Anteriore



Front Axle



i 1) VECCHIO MODELLO - OLD MODEL 3) > 11/2003	2) NUOVO MODELLO - NEW MODEL
---	------------------------------

OCAP	O.E.			
0286491	E112-32-280	TESTA STERZO TIE ROD END	i	
0288072	4546412	TESTA STERZO TIE ROD END	1)	RHT M14x1,5
0400349	EC01-34-300J *	SNODO SOSPENSIONE - INFERIORE BALL JOINT - LOWER	2)	RHT M 16x1,5
0506491	4462153	STABILIZZATORE STABILIZER LINK	3)	
0603968	4097368	SNODO ASSIALE AXIAL JOINT	1)	RHT M14x1,5
0606491	E112-32-240	SNODO ASSIALE AXIAL JOINT	3)	
0786491	4484852	BRACCIO OSCILLANTE - INFERIORE TRACK CONTROL ARM - LOWER	3)	
0796491	4484853	BRACCIO OSCILLANTE - INFERIORE TRACK CONTROL ARM - LOWER	3)	
1211346	4119193	CUFFIA STERZO STEERING GAITER	1)	
1215979	-	SILENTBLOCK CENTRALE CENTRAL BUSHING		
1215980	-	SILENTBLOCK ESTREMO OUTER BUSHING		

DESTRO
RIGHT

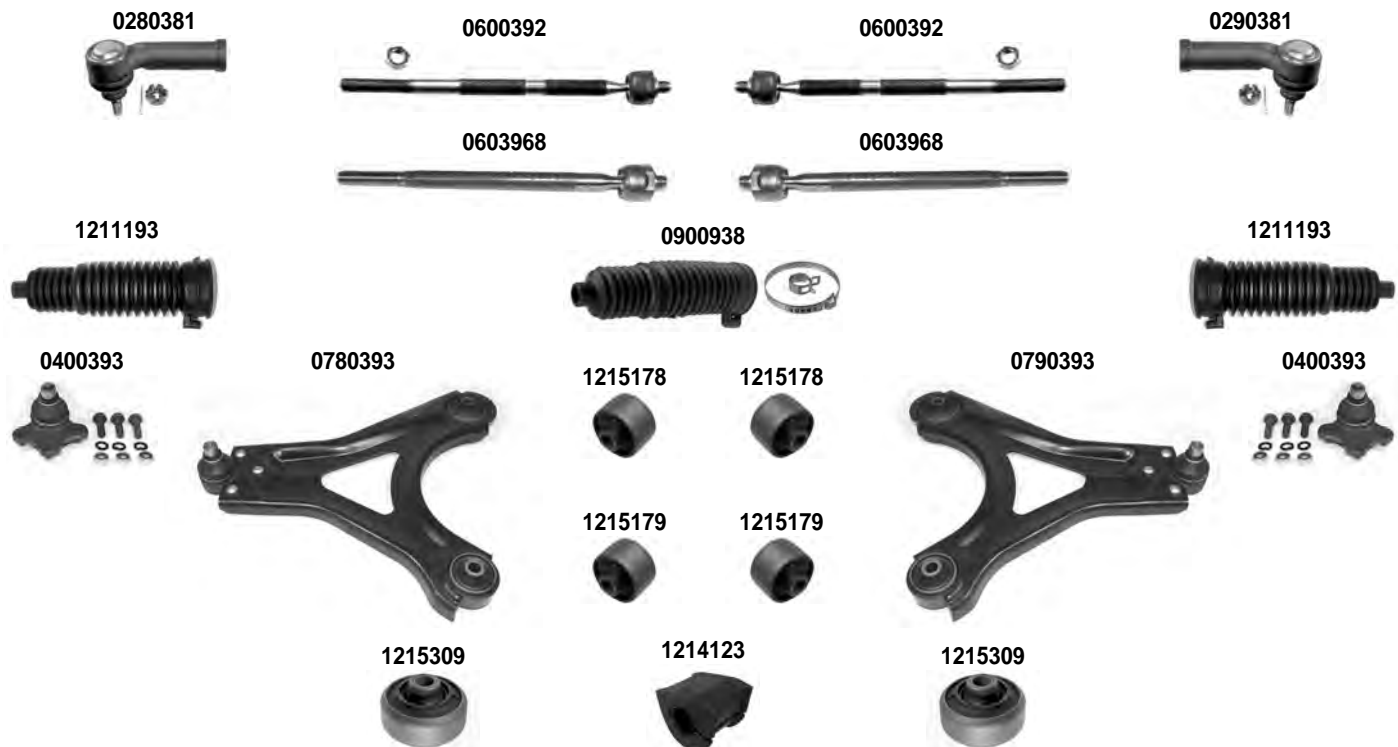


SINISTRO
LEFT

MONDEO I	GBP-BNP	1993 > 1996
----------	---------	-------------

Asse Anteriore

Front Axle



i 1) SOLO PER: MOD. RUOTE DA 14" - ONLY FOR: MOD. 14" WHEEL 3) VECCHIA VERSIONE - OLD VERSION	2) SOLO PER: MOD. RUOTE DA 15" - ONLY FOR: MOD. 15" WHEEL 4) NUOVA VERSIONE - NEW VERSION
---	--

OCAP	O.E.		i	
0280381	5027452	TESTA STERZO TIE ROD END		RHT M16x1,5
0290381	5027451	TESTA STERZO TIE ROD END		RHT M16x1,5
0400393	-	SNODO SOSPENSIONE - INFERIORE BALL JOINT - LOWER		
0600392	6737692	SNODO ASSIALE AXIAL JOINT	1)	RHT M16x1,5
0603968	7294416	SNODO ASSIALE AXIAL JOINT	2)	RHT M16x1,5
0780393	1141293	BRACCIO OSCILLANTE TRACK CONTROL ARM		
0790393	1141294	BRACCIO OSCILLANTE TRACK CONTROL ARM		
0900938	-	KIT CUFFIE STERZO STEERING GAITER KIT		
1211193	6772173	CUFFIA STERZO STEERING GAITER		
1214123	6714195	SILENTBLOCK BARRA STABILIZZATRICE STABILIZING BAR BUSHING		DIAM. 19 mm.
1215178	6790115	SILENTBLOCK ANTERIORE FRONT BUSHING		
1215179	6870549	SILENTBLOCK POSTERIORE REAR BUSHING	3)	DIAM. 46 mm.
1215309	1023058	SILENTBLOCK POSTERIORE REAR BUSHING	4)	

DESTRO
RIGHT



SINISTRO
LEFT

MONDEO I

GBP-BNP

1993 > 1996

Asse Anteriore



Front Axle

0500394



0501881



0501881



0500394



Asse Posteriore



Rear Axle

0181534



0181534-K



0181534



0181882



0181882-K



0181882



0704499



0704499



0708843



1214103



1214104



0708843



i	3) VECCHIA VERSIONE - OLD VERSION	4) NUOVA VERSIONE - NEW VERSION
	5) > 10/1994	6) 10/1994 >
	7) SOLO PER - ONLY FOR: TURNIER	

OCAP	O.E.		i	
0181534	7014210	PUNTONE BARRA STABILIZZATRICE STABILIZER LINK	5)	
0181882	1054209	PUNTONE BARRA STABILIZZATRICE STABILIZER LINK	6)	
0500394	6960036	STABILIZZATORE - ACCIAIO STABILIZER LINK -STEEL	3)	
0501881	1106269	STABILIZZATORE - ALLUMINIO STABILIZER LINK - ALUMINIUM	4)	
0704499	6867577	BRACCIO SOSPENSIONE SUSPENSION ARM		
0708843	1072453	BRACCIO SOSPENSIONE SUSPENSION ARM	7)	
1214103	7144204	SILENTBLOCK BARRA STABILIZZATRICE STABILIZING BAR BUSHING		DIAM. 16 mm.
1214104	7144202	SILENTBLOCK BARRA STABILIZZATRICE STABILIZING BAR BUSHING		DIAM. 18 mm.
0181534-K	7014210 *	KIT PUNTONE BARRA STABILIZZATRICE STABILIZER LINK KIT	5)	
0181882-K	1054209 *	KIT PUNTONE BARRA STABILIZZATRICE STABILIZER LINK KIT	6)	

DESTRO
RIGHT



SINISTRO
LEFT

MONDEO II	BAP-BFP-BNP	1996 > 2000
-----------	-------------	-------------

Asse Anteriore

Front Axle



i 1) > 02/1999 3) SOLO PER: MOD. RUOTE DA 14" - ONLY FOR: MOD. 14" WHEEL	2) 03/1999 > 4) SOLO PER: MOD. RUOTE DA 15" - 16" - ONLY FOR: MOD. 15" - 16" WHEEL
--	---

OCAP	O.E.		i	
0280044	1035690	TESTA STERZO TIE ROD END	1)	RHT M16x1,5
0281775	1097316	TESTA STERZO TIE ROD END	2)	RHT M16x1,5
0290044	1035691	TESTA STERZO TIE ROD END	1)	RHT M16x1,5
0291775	1097323	TESTA STERZO TIE ROD END	2)	RHT M16x1,5
0400393	1141293 *	SNODO SOSPENSIONE - INFERIORE BALL JOINT - LOWER		
0600045	3903149	SNODO ASSIALE AXIAL JOINT	4)	RHT M16x1,5
0603968	3903147	SNODO ASSIALE AXIAL JOINT	3)	RHT M16x1,5
0780393	1141293	BRACCIO OSCILLANTE TRACK CONTROL ARM		
0790393	1141294	BRACCIO OSCILLANTE TRACK CONTROL ARM		
0900045	3904122 *	KIT CUFFIE STERZO STEERING GAITER KIT		
1211215	3904122	CUFFIA STERZO STEERING GAITER		
1215178	6790115	SILENTBLOCK ANTERIORE FRONT BUSHING		
1215309	1023058	SILENTBLOCK POSTERIORE REAR BUSHING		

DESTRO
RIGHT



SINISTRO
LEFT

MONDEO II

BAP-BFP-BNP

1996 > 2000

Asse Anteriore



Front Axle



Asse Posteriore



Rear Axle



i	5) VECCHIA VERSIONE - OLD VERSION	6) NUOVA VERSIONE - NEW VERSION
	7) > 15/07/1998	8) 15/07/1998 >
	9) SOLO PER - ONLY FOR: TURNIER	

OCAP	O.E.		
0181882	1054209	PUNTORE BARRA STABILIZZATRICE STABILIZER LINK	7)
0500394	6960036	STABILIZZATORE - ACCIAIO STABILIZER LINK - STEEL	5)
0501881	1106269	STABILIZZATORE - ALLUMINIO STABILIZER LINK - ALUMINIUM	6)
0503134	1072446	PUNTORE BARRA STABILIZZATRICE STABILIZER LINK	8)
0704499	6867577	BRACCIO SOSPENSIONE SUSPENSION ARM	
0708843	1072453	BRACCIO SOSPENSIONE SUSPENSION ARM	9)
1214103	7144204	SILENTBLOCK BARRA STABILIZZATRICE STABILIZNG BAR BUSHING	DIAM. 16 mm.
1214104	7144202	SILENTBLOCK BARRA STABILIZZATRICE STABILIZNG BAR BUSHING	DIAM. 18 mm.
1214123	6714195	SILENTBLOCK BARRA STABILIZZATRICE STABILIZNG BAR BUSHING	DIAM. 19 mm.
0181882-K	1054209 *	KIT PUNTORE BARRA STABILIZZATRICE STABILIZER LINK KIT	7)
0503134-K	1072446 *	KIT PUNTORE BARRA STABILIZZATRICE STABILIZER LINK KIT	8)

DESTRO
RIGHT



SINISTRO
LEFT

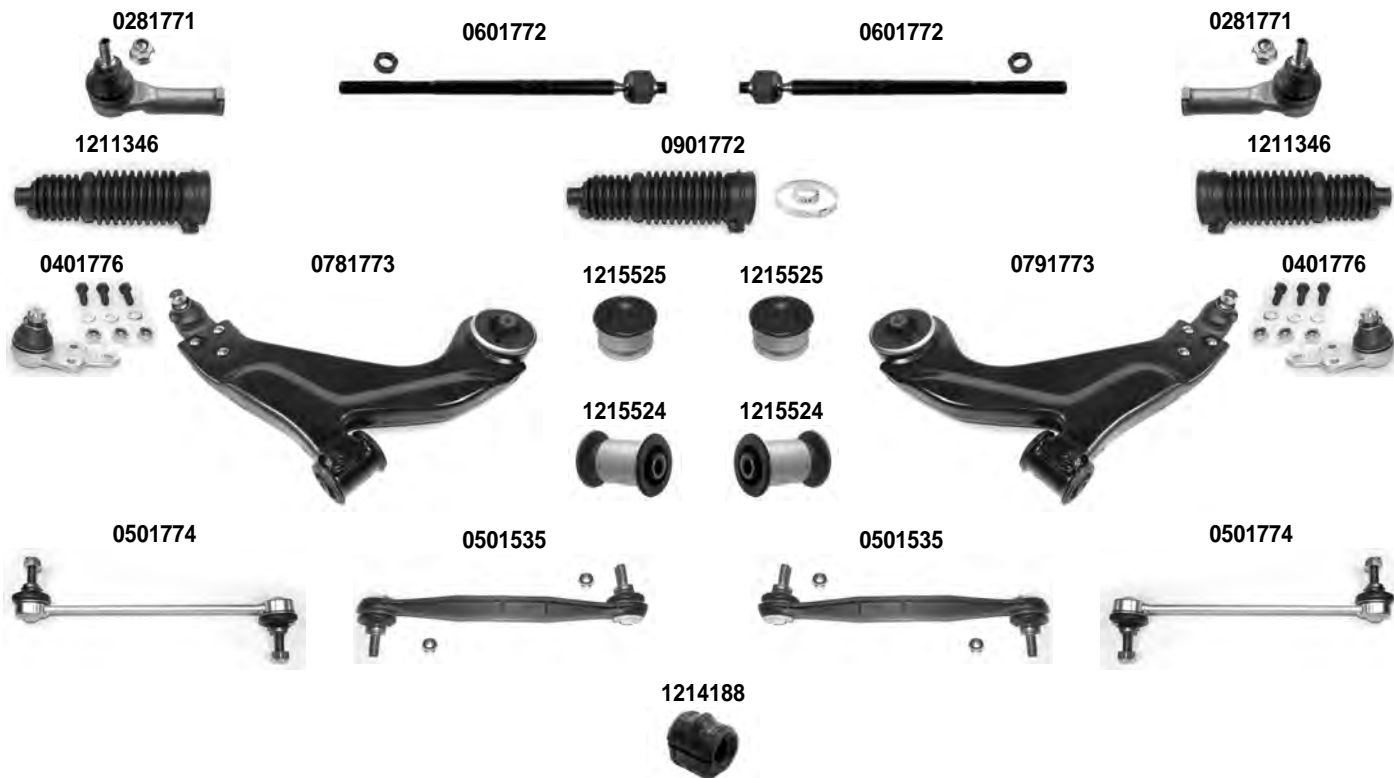
MONDEO III

B5Y-B4Y-BWY

2001 > 02/2007

Asse Anteriore

Front Axle



i 1) > 09/2002 2) 09/2002 >

OCAP	O.E.		i	
0281771	1138313	TESTA STERZO TIE ROD END		RHT M16x1,5
0401776	-	SNODO SOSPENSIONE BALL JOINT		
0501535	1219697	STABILIZZATORE - RESINA STABILIZER LINK - RESIN	2)	
0501774	1127646	STABILIZZATORE STABILIZER LINK	1)	
0601772	4111327	SNODO ASSIALE AXIAL JOINT		RHT M16x1,5
0781773	1311416	BRACCIO OSCILLANTE TRACK CONTROL ARM		
0791773	1311417	BRACCIO OSCILLANTE TRACK CONTROL ARM		
0901772	4119193 *	KIT CUFFIE STERZO STEERING GAITER KIT		
1211346	4119193	CUFFIA STERZO STEERING GAITER		
1214188	1307891	SILENTBLOCK BARRA STABILIZZATRICE STABILIZING BAR BUSHING		DIAM. 19 mm.
1215524	1522130S	SILENTBLOCK CENTRALE CENTRAL BUSHING		
1215525	1522081S	SILENTBLOCK ESTREMO OUTER BUSHING		

DESTRO
RIGHT



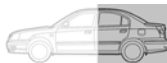
SINISTRO
LEFT

MONDEO III

B5Y-B4Y-BWY

2001 > 02/2007

Asse Posteriore



Rear Axle



i 3) ECCElTO - EXCEPT: MOD. WAGON 4) SOLO PER - ONLY FOR: MOD. WAGON

OCAP	O.E.		
0503855	1127648	STABILIZZATORE STABILIZER LINK	3)
0504176	1130452	STABILIZZATORE STABILIZER LINK	4)
0702272	1118921	BRACCIO SOSPENSIONE - TRASVERSALE CONTROL ARM - TRANSVERSAL	L = 550 mm.
0702273	1118920	BRACCIO SOSPENSIONE - TRASVERSALE CONTROL ARM - TRANSVERSAL	L = 600 mm.
0702285	1206474	BRACCIO SOSPENSIONE - LONGITUDINALE CONTROL ARM - ELONGATE	L = 575 mm.
0704176	1220005	BRACCIO SOSPENSIONE CONTROL ARM	4)
0708663	1214290	BRACCIO SOSPENSIONE CONTROL ARM	4)
1214189	1124418	SILENTBLOCK BARRA STABILIZZATRICE STABILIZING BAR BUSHING	DIAM. 20 mm.
1214190	1119588	SILENTBLOCK BARRA STABILIZZATRICE STABILIZING BAR BUSHING	DIAM. 18,5 mm.
1215793	1118921 *	SILENTBLOCK BUSHING	
1215799	1206474 *	SILENTBLOCK BUSHING	
1216414	6829046	SILENTBLOCK BUSHING	4)

DESTRO
RIGHT

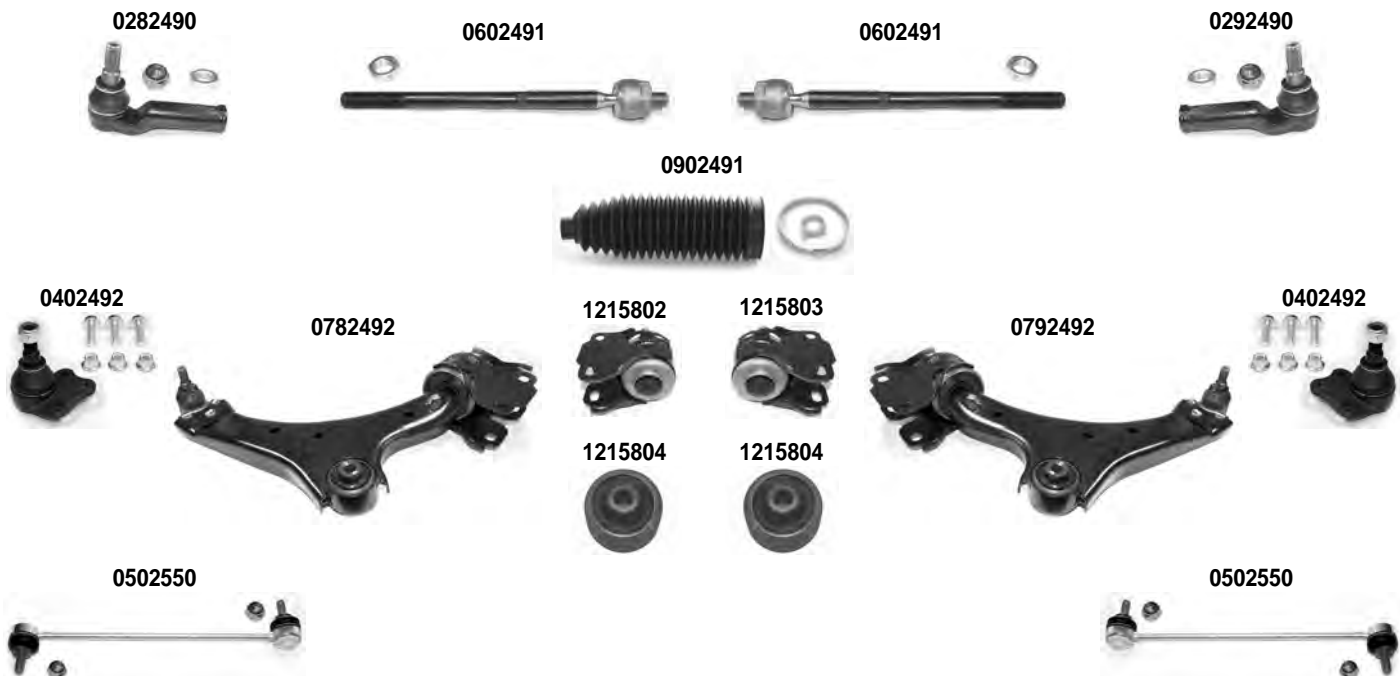


SINISTRO
LEFT

MONDEO IV	BA7	03/2007 > 2014
-----------	-----	----------------

Asse Anteriore

Front Axle



OCAP	O.E.			
0282490	1433273	TESTA STERZO TIE ROD END		RHT M18x1,5
0292490	1433274	TESTA STERZO TIE ROD END		RHT M18x1,5
0402492	-	SNODO SOSPENSIONE BALL JOINT		
0502550	1377849	STABILIZZATORE STABILIZER LINK		
0602491	1433271	SNODO ASSIALE AXIAL JOINT		RHT M18x1,5
0782492	1466186	BRACCIO OSCILLANTE TRACK CONTROL ARM		
0792492	1466188	BRACCIO OSCILLANTE TRACK CONTROL ARM		
0902491	1433372	KIT CUFFIA STERZO STEERING GAITER KIT		
1215802	-	SILENTBLOCK ESTREMO OUTER BUSHING		
1215803	-	SILENTBLOCK ESTREMO OUTER BUSHING		
1215804	-	SILENTBLOCK CENTRALE CENTRAL BUSHING		

DESTRO
RIGHT



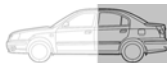
SINISTRO
LEFT

MONDEO IV

BA7

03/2007 > 2014

Asse Posteriore



Rear Axle

1216033



0301534



1216033



1216033



0301534



1216033



1216034



0701535



1216034



1216034



0701535



1216034



1216106



1216107



1216107



1216106



0502495



0502495



1216365



0708840



1216364



1216364



0708840



1216365



1216425



1216424



OCAP	O.E.			
0301534	1457609	BRACCIO SOSPENSIONE CONTROL ARM		
0502495	1425853	STABILIZZATORE STABILIZER LINK		
0701535	1426770	BRACCIO SOSPENSIONE CONTROL ARM		
0708840	1469125	BRACCIO SOSPENSIONE SUSPENSION ARM		
1216033	1457609 *	SILENTBLOCK BUSHING		
1216034	1426770 *	SILENTBLOCK BUSHING		
1216106	1404977	SILENTBLOCK - POSTERIORE BUSHING - REAR		
1216107	1404976	SILENTBLOCK - ANTERIORE BUSHING - FRONT		
1216364	1469125 *	SILENTBLOCK BUSHING		45x40,5x12,1
1216365	1377447 *	SILENTBLOCK BUSHING		54,5x37,5x12,1
1216424	2040702	SILENTBLOCK BUSHING		
1216425	2040703	SILENTBLOCK BUSHING		

DESTRO
RIGHT



SINISTRO
LEFT

MONDEO V

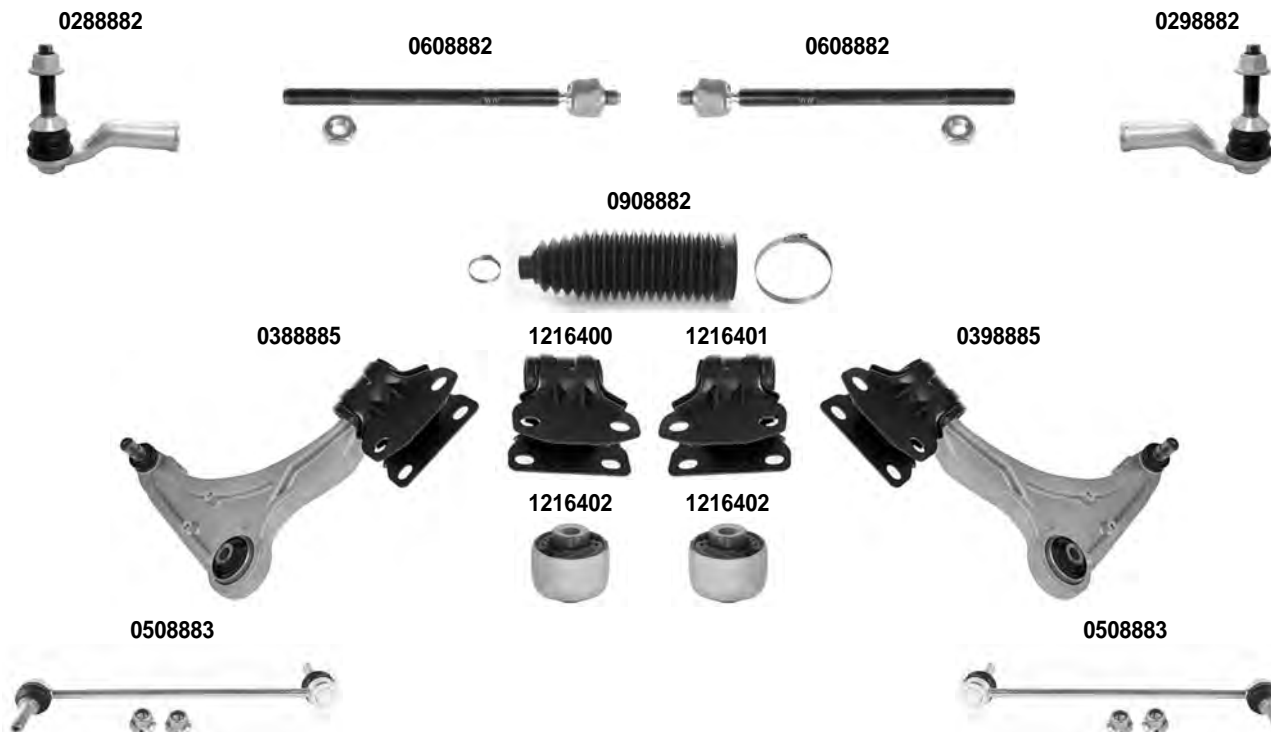
CE-CD-CF

09/2014 >

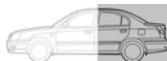
Asse Anteriore



Front Axle



Asse Posteriore



Rear Axle



OCAP	O.E.			
0288882	1802974	TESTA STERZO TIE ROD END		RHT M18x1,5
0298882	1802977	TESTA STERZO TIE ROD END		RHT M18x1,5
0388885	2180767	BRACCIO OSCILLANTE TRACK CONTROL ARM		
0398885	2180769	BRACCIO OSCILLANTE TRACK CONTROL ARM		
0508883	5182780	STABILIZZATORE STABILIZER LINK		
0508885	5182818	STABILIZZATORE STABILIZER LINK		
0608882	1824228	SNODO ASSIALE AXIAL JOINT		RHT M18x1,5
0908882	5253030	KIT CUFFIA STERZO STEERING GAITER KIT		
1216400	2180767 *	SILENTBLOCK CENTRALE OUTER BUSHING		
1216401	2180769 *	SILENTBLOCK ESTREMO OUTER BUSHING		
1216402	5232480 **	SILENTBLOCK CENTRALE CENTRAL BUSHING		

DESTRO
RIGHT

 SINISTRO
LEFT

PUMA

EC




1997 > 2002

Asse Anteriore



Front Axle



OCAP	O.E.			
0283963	1011857	TESTA STERZO TIE ROD END		RHT M14x2
0293963	1011858	TESTA STERZO TIE ROD END		RHT M14x2
0400854	1047797	SNODO SOSPENSIONE - INFERIORE BALL JOINT - LOWER		DIAM. 16,5 mm.
0501329	1130273	STABILIZZATORE STABILIZER LINK		
0603964	1044014	SNODO ASSIALE AXIAL JOINT		RHT M14x2
0781839	1330238	BRACCIO OSCILLANTE TRACK CONTROL ARM		
0791839	1330239	BRACCIO OSCILLANTE TRACK CONTROL ARM		
1211192	1012814	CUFFIA STERZO STEERING GAITER		
1215213	1010037	SILENTBLOCK CENTRALE CENTRAL BUSHING		
1215214	1014654	SILENTBLOCK ESTREMO OUTER BUSHING		

DESTRO
RIGHT



SINISTRO
LEFT

RANGER I

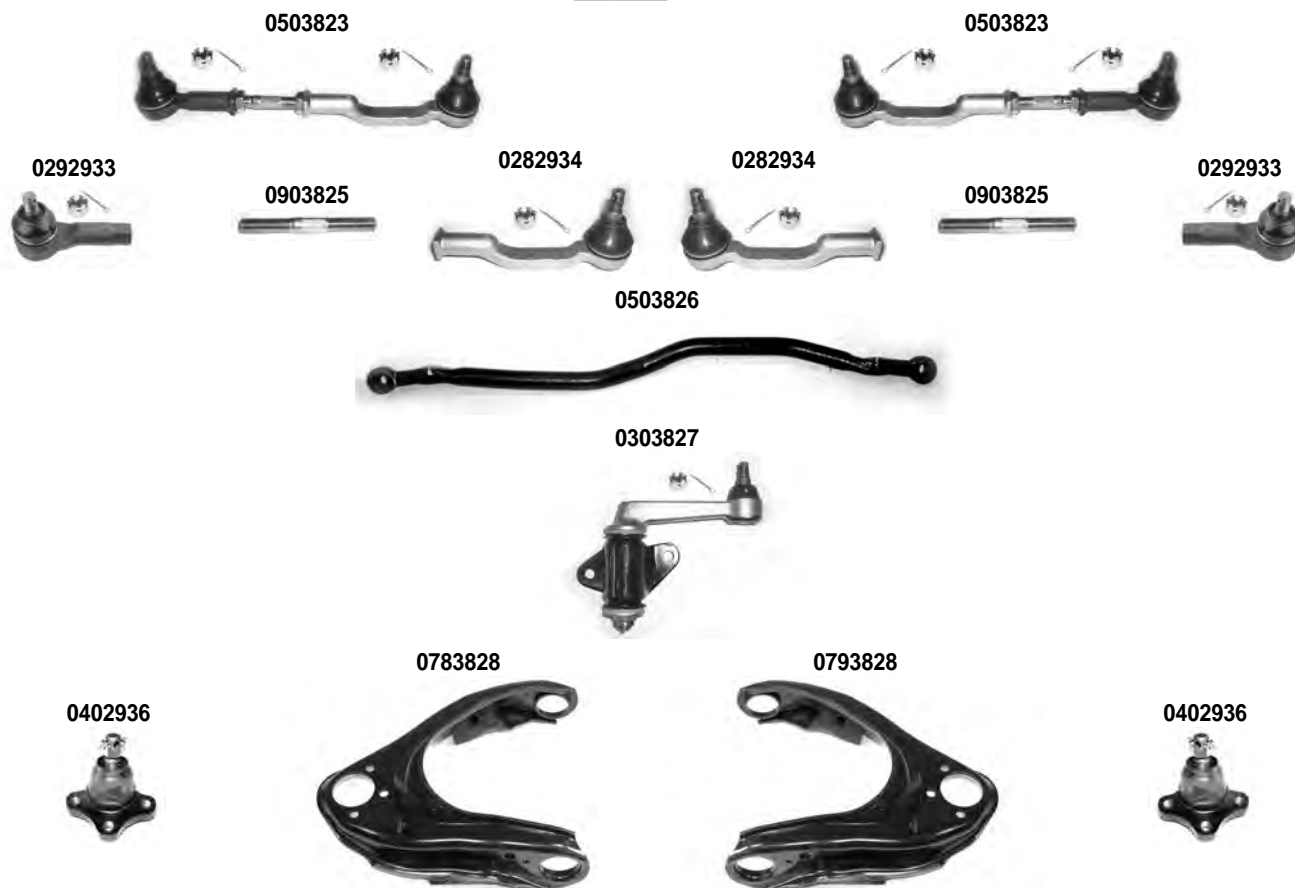
ER-EQ-R

04/1997 >

Asse Anteriore



Front Axle



OCAP	O.E.			
0282934	3665759	TESTA STERZO INTERNA INNER TIE ROD END		RHT M14x1,5
0292933	3669093	TESTA STERZO ESTERNA OUTER TIE ROD END		LHT M14x1,5
0303827	4050675	BRACCIO STERZO IDLER ARM		
0402936	3665732	SNODO SOSPENSIONE - SUPERIORE BALL JOINT - UPPER		
0503823	3669093 *	BARRA STERZO COMPLETA COMPLETE TIE ROD		
0503826	3665762	BARRA STERZO CENTRALE CENTRAL TIE ROD		
0783828	3665719	BRACCIO OSCILLANTE - SUPERIORE TRACK CONTROL ARM - UPPER		
0793828	3665721	BRACCIO OSCILLANTE - SUPERIORE TRACK CONTROL ARM - UPPER		
0903825	4441412	GIUNTO JOINT		RHT-LHT M14x1,5

DESTRO
RIGHT



SINISTRO
LEFT

RANGER I

ER-EQ-R

04/1997 >

Asse Anteriore



Front Axle

0783829

0793829




0403829

1215651

1215651

0403829



OCAP	O.E.			
0403829	3665787	SNODO SOSPENSIONE - INFERIORE BALL JOINT - LOWER		
0783829	3665712	BRACCIO OSCILLANTE INFERIORE TRACK CONTROL ARM - LOWER		
0793829	3665713	BRACCIO OSCILLANTE INFERIORE TRACK CONTROL ARM - LOWER		
1215651	3665627	SILENTBLOCK - INFERIORE BUSHING - LOWER		

DESTRO
RIGHT



SINISTRO
LEFT

RANGER II	ET	01/2005 > 07/2012
------------------	----	-------------------

Asse Anteriore

Front Axle



i 1) SOLO PER - ONLY FOR: MOD. 2WD	2) SOLO PER - ONLY FOR: MOD. 4WD
---	---

OCAP	O.E.		
0285586	1454896	TESTA STERZO - INTERNA TIE ROD END - INNER	RHT M14x1,5
0295586	1454897	TESTA STERZO - ESTERNA TIE ROD END - OUTER	1) LHT M14x1,5
0295587	1454898	TESTA STERZO - ESTERNA TIE ROD END - OUTER	2) LHT M14x1,5
0305586	1454584	BRACCIO STERZO IDLER ARM	
0402936	3665732	SNODO SOSPENSIONE - SUPERIORE BALL JOINT - UPPER	
0405586	1454901	SNODO SOSPENSIONE - INFERIORE BALL JOINT - LOWER	
0505586	3754149 *	STABILIZZATORE STABILIZER LINK	

DESTRO
RIGHT

 SINISTRO
LEFT

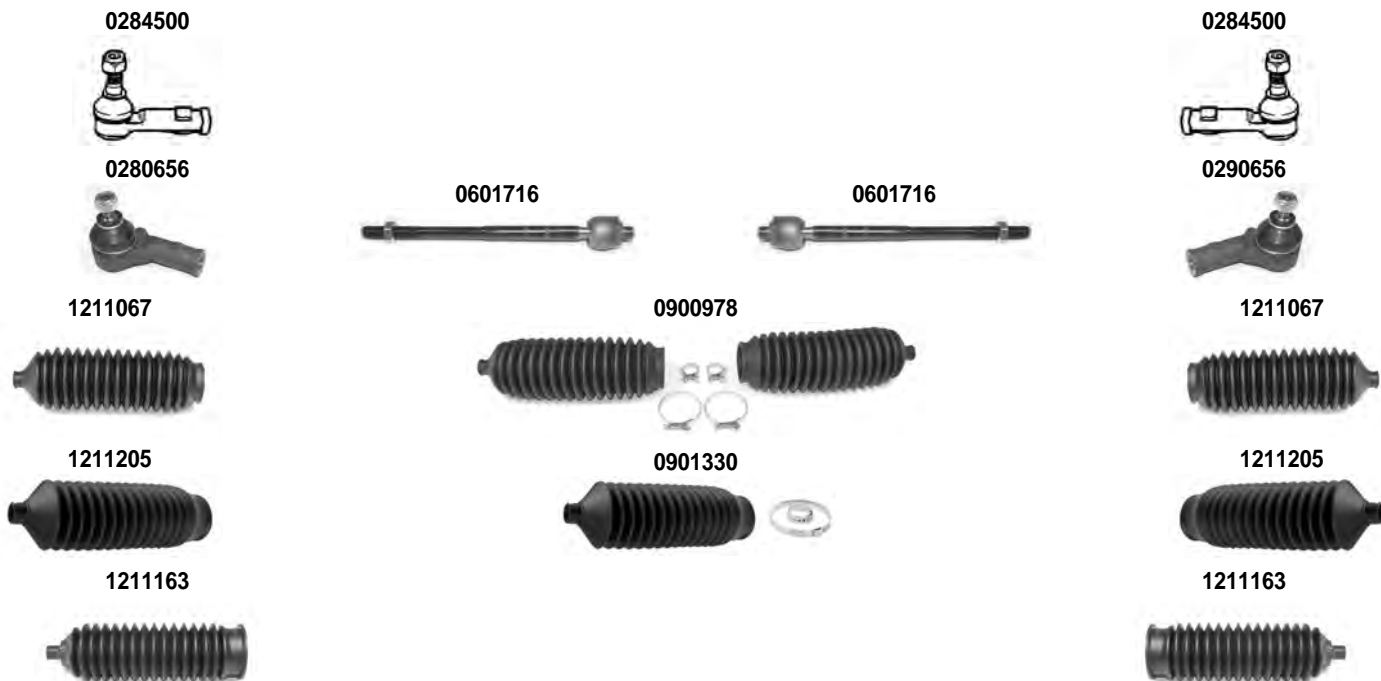
SCORPIO - SCORPIO 4WD

1985 > 1994

Asse Anteriore



Front Axle



i	1) SOLO PER - ONLY FOR: MOD. 4WD	2) SERVOSTERZO - POWER STEERING
	3) STERZO MANUALE - MANUAL STEERING	4) > 10/1988
	5) 10/1988 > 10/1994	

OCAP	O.E.		i	
0280656	5021413	TESTA STERZO TIE ROD END	1)	RHT M14x2
0284500	5021415	TESTA STERZO TIE ROD END		RHT M14x2
0290656	5021414	TESTA STERZO TIE ROD END	1)	RHT M14x2
0601716	6185338	SNODO ASSIALE AXIAL JOINT		RHT M14x2
0900978	1619061 *	KIT CUFFIA STERZO STEERING GAITER KIT	3) 5)	
0901330	-	KIT CUFFIA STERZO STEERING GAITER KIT	3) 5)	
1211067	1619061	CUFFIA STERZO STEERING GAITER	3) 4)	
1211163	6182818	CUFFIA STERZO STEERING GAITER	2)	
1211205	6935233	CUFFIA STERZO STEERING GAITER	3) 5)	

DESTRO
RIGHT



SINISTRO
LEFT

SCORPIO - SCORPIO 4WD

1985 > 1994

Asse Anteriore



Front Axle



i 1) SOLO PER - ONLY FOR: MOD. 4WD

OCAP	O.E.		i	
0380250	5021462	BRACCIO OSCILLANTE TRACK CONTROL ARM	1)	
0384502	5021464	BRACCIO OSCILLANTE TRACK CONTROL ARM		
0390250	5021463	BRACCIO OSCILLANTE TRACK CONTROL ARM	1)	
0394502	5021465	BRACCIO OSCILLANTE TRACK CONTROL ARM		
1215013	6192705	SILENTBLOCK ESTREMO OUTER BUSHING		
1215017	5021729	SILENTBLOCK CENTRALE CENTRAL BUSHING		

DESTRO
RIGHT



SINISTRO
LEFT

SCORPIO - SCORPIO SW

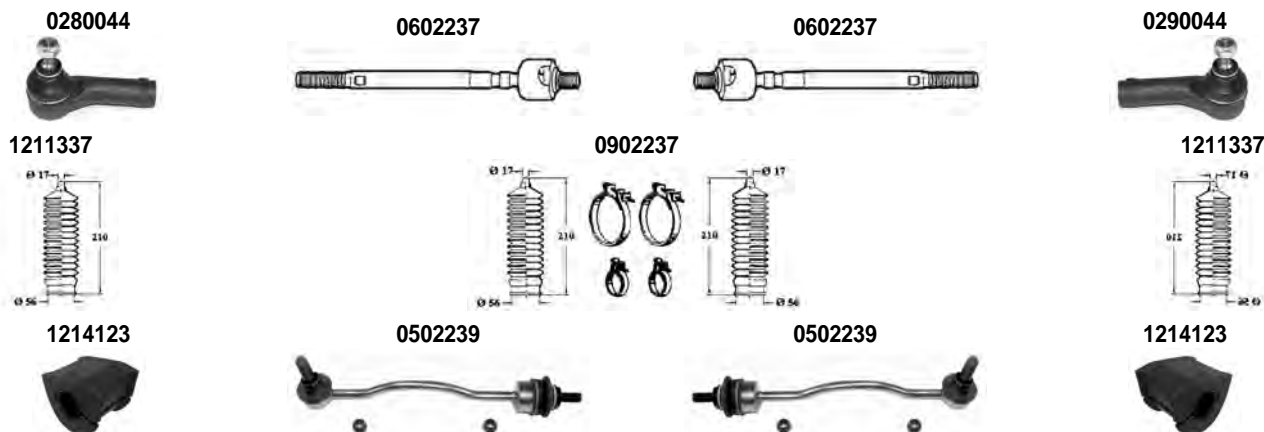
II

1995 > 1998

Asse Anteriore



Front Axle



OCAP	O.E.		i	
0280044	1035690	TESTA STERZO TIE ROD END		RHT M16x1,5
0290044	1035691	TESTA STERZO TIE ROD END		RHT M16x1,5
0502239	1045413	STABILIZZATORE STABILIZER LINK		
0602237	1029836	SNODO ASSIALE AXIAL JOINT		RHT M16x1,5
0902237	1011665 *	KIT CUFFIE STERZO STEERING GAITER KIT		
1211337	1011665	CUFFIA STERZO STEERING GAITER		
1214123	6714195	SILENTBLOCK BARRA STABILIZZATRICE STABILIZING BAR BUSHING		DIAM. 19 mm.

DESTRO
RIGHT



SINISTRO
LEFT

SIERRA - SIERRA 4WD

1982 > 1993

Asse Anteriore



Front Axle

0280656



1211164



1211067



1211293



0601113



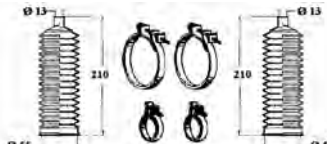
0601113



0900978



0901113



0290656



1211164



1211067



1211293



i 1) STERZO MANUALE - MANUAL STEERING
3) > 1989

2) SERVOSTERZO - POWER STEERING
4) 1989 >

OCAP	O.E.		i	
0280656	5021413	TESTA STERZO TIE ROD END		RHT M14x2
0290656	5021414	TESTA STERZO TIE ROD END		RHT M14x2
0601113	1613106	SNODO ASSIALE AXIAL JOINT		RHT M14x2
0900978	1619061 *	KIT CUFFIA STERZO STEERING GAITER KIT	2) 3)	
0901113	6758090 *	KIT CUFFIA STERZO STEERING GAITER KIT	2) 4)	
1211067	1619061	CUFFIA STERZO STEERING GAITER	2) 3)	
1211164	1610365	CUFFIA STERZO STEERING GAITER	1)	
1211293	6758090	CUFFIA STERZO STEERING GAITER	2) 4)	

DESTRO
RIGHT



SINISTRO
LEFT

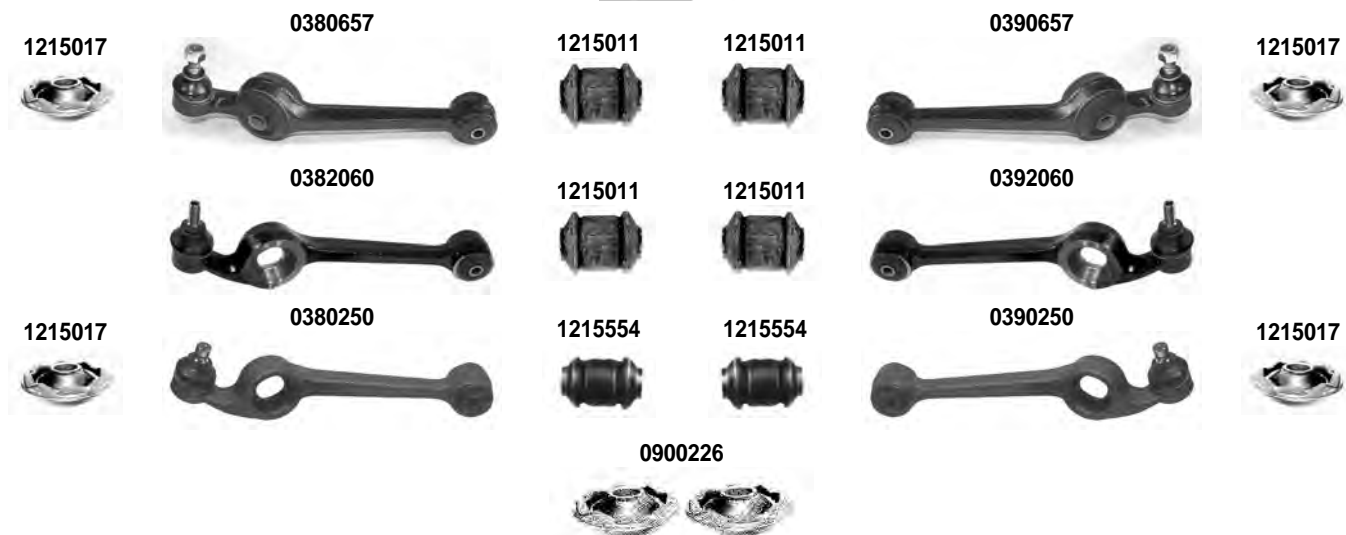
SIERRA - SIERRA 4WD

1982 > 1993

Asse Anteriore



Front Axle



i 5) SOLO PER - ONLY FOR: MOD. 4WD

OCAP	O.E.		i	
0380250	5021462	BRACCIO OSCILLANTE TRACK CONTROL ARM	5)	
0380657	5021460	BRACCIO OSCILLANTE - CON SILENTBLOCK CENTRALE TRACK CONTROL ARM - WITH CENTRAL BUSHING		
0382060	6149939	BRACCIO OSCILLANTE - SENZA SILENTBLOCK CENTRALE TRACK CONTROL ARM - WITHOUT CENTRAL BUSHING		
0390250	5021463	BRACCIO OSCILLANTE TRACK CONTROL ARM	5)	
0390657	5021461	BRACCIO OSCILLANTE - CON SILENTBLOCK CENTRALE TRACK CONTROL ARM - WITH CENTRAL BUSHING		
0392060	6149940	BRACCIO OSCILLANTE - SENZA SILENTBLOCK CENTRALE TRACK CONTROL ARM - WITHOUT CENTRAL BUSHING		
0900226	6129161	KIT SILENTBLOCK BUSHING KIT		
1215011	6087890	SILENTBLOCK ESTREMO OUTER BUSHING		
1215017	5021729	SILENTBLOCK CENTRALE CENTRAL BUSHING		
1215554	6192705	SILENTBLOCK ESTREMO OUTER BUSHING		

DESTRO
RIGHT



SINISTRO
LEFT

STREET KA

05/2003 > 07/2005

Asse Anteriore



Front Axle



OCAP	O.E.			
0280855	6969518	TESTA STERZO TIE ROD END		RHT 1/2" x20 UNF
0400854	1047797	SNODO SOSPENSIONE - INFERIORE BALL JOINT - LOWER		DIAM. 16,5 mm.
0501329	1130273	STABILIZZATORE STABILIZER LINK		
0789225	1448485	BRACCIO OSCILLANTE TRACK CONTROL ARM		
0799225	1448487	BRACCIO OSCILLANTE TRACK CONTROL ARM		
1211192	1012814	CUFFIA STERZO STEERING GAITER		
1214185	1003609	SILENTBLOCK BARRA STABILIZZATRICE STABILIZING BAR BUSHING		DIAM. 15 mm.
1215119	1000445	SILENTBLOCK CENTRALE CENTRAL BUSHING		
1215120	1035929	SILENTBLOCK ESTREMO OUTER BUSHING		

DESTRO
RIGHT

 SINISTRO
LEFT

TAUNUS L/LX/GT/GXL
CORTINA MH III/MK IV

 1970 >
1970 >

Asse Anteriore

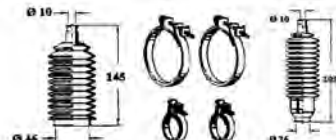


Front Axle

0280655

0280655

1211070

0900596

1211071

0402070

0402071

0402071

0402070

i 1) STERZO MANUALE - MANUAL STEERING

OCAP	O.E.		i	
0280655	1476246	TESTA STERZO TIE ROD END		RHT M14x2
0402070	1494903	SNODO SOSPENSIONE - SUPERIORE BALL JOINT - UPPER		
0402071	1541324	SNODO SOSPENSIONE - INFERIORE BALL JOINT - LOWER		
0900596	-	KIT CUFFIA STERZO STEERING GAITER KIT	1)	
1211070	6060787	CUFFIA STERZO STEERING GAITER	1)	
1211071	6060791	CUFFIA STERZO STEERING GAITER	1)	

DESTRO
RIGHT



SINISTRO
LEFT

TOPAZ - MERCURI TOPAZ

Asse Anteriore



Front Axle

0284019



0684016



0684016



0284019



1214006



0380649



1215013



1215013



0390649



1214006



i 1) RIF. ORIG. - REF.: MOOG

OCAP	O.E.		i	
0284019	ES2153RL	TESTA STERZO TIE ROD END	1)	RHT M12x1,25
0380649	K8421	BRACCIO OSCILLANTE TRACK CONTROL ARM	1)	
0390649	K8423	BRACCIO OSCILLANTE TRACK CONTROL ARM	1)	
0684016	EV118	SNODO ASSIALE AXIAL JOINT	1)	RHT M12x1,25
1214006	1412951	SILENTBLOCK CENTRALE CENTRAL BUSHING	1)	
1215013	6192705	SILENTBLOCK ESTREMO OUTER BUSHING	1)	

DESTRO
RIGHT

 SINISTRO
LEFT

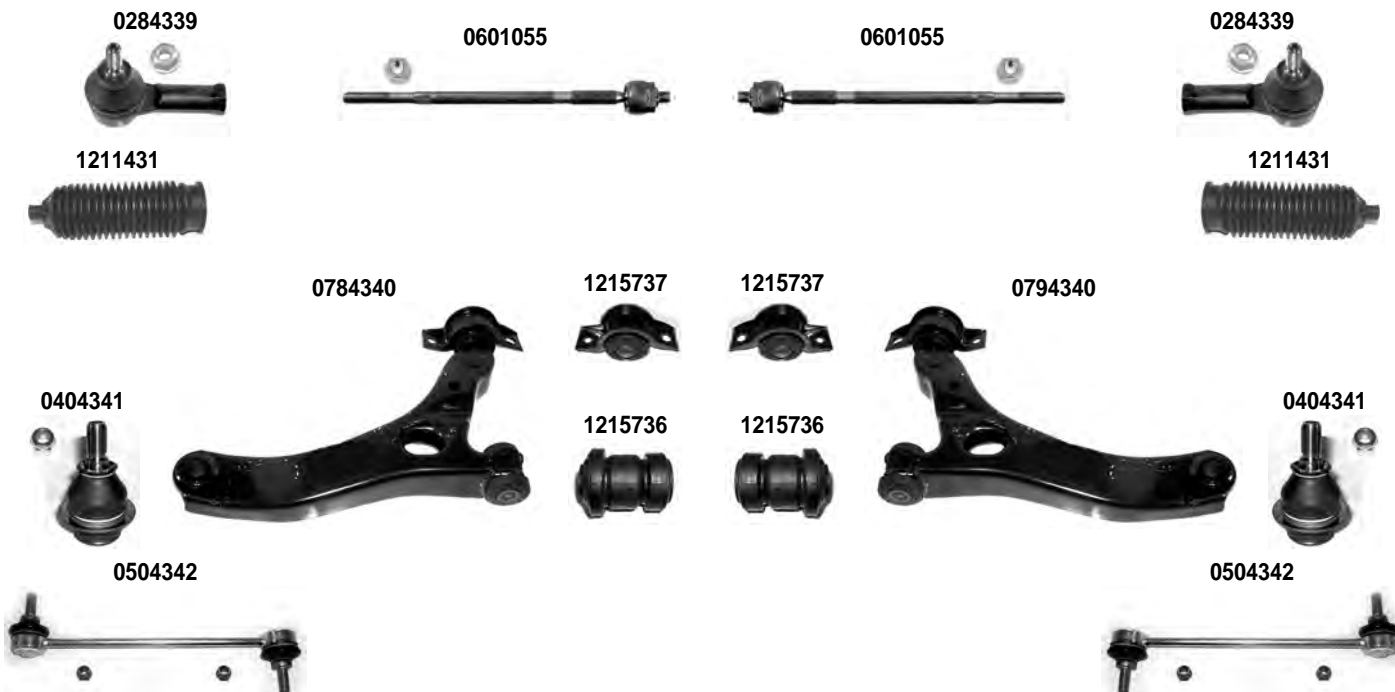
TOURNEO CONNECT
TRANSIT CONNECT

 09/2002 >
09/2002 >

Asse Anteriore



Front Axle



Asse Posteriore



Rear Axle



OCAP	O.E.		i	
0284339	4381840	TESTA STERZO TIE ROD END		RHT M14x2
0404341	4616978	SNODO SOSPENSIONE BALL JOINT		
0504342	1332453	STABILIZZATORE STABILIZER LINK		
0504343	1332463	STABILIZZATORE STABILIZER LINK		
0601055	1085520	SNODO ASSIALE AXIAL JOINT		RHT M14x2
0784340	1355048	BRACCIO OSCILLANTE TRACK CONTROL ARM		
0794340	1355050	BRACCIO OSCILLANTE TRACK CONTROL ARM		
1211431	4381841	CUFFIA STERZO STEERING GAITER		
1215736	4366976	SILENTBLOCK CENTRALE CENTRAL BUSHING		
1215737	-	SILENTBLOCK ESTREMO OUTER BUSHING		

DESTRO
RIGHT



SINISTRO
LEFT

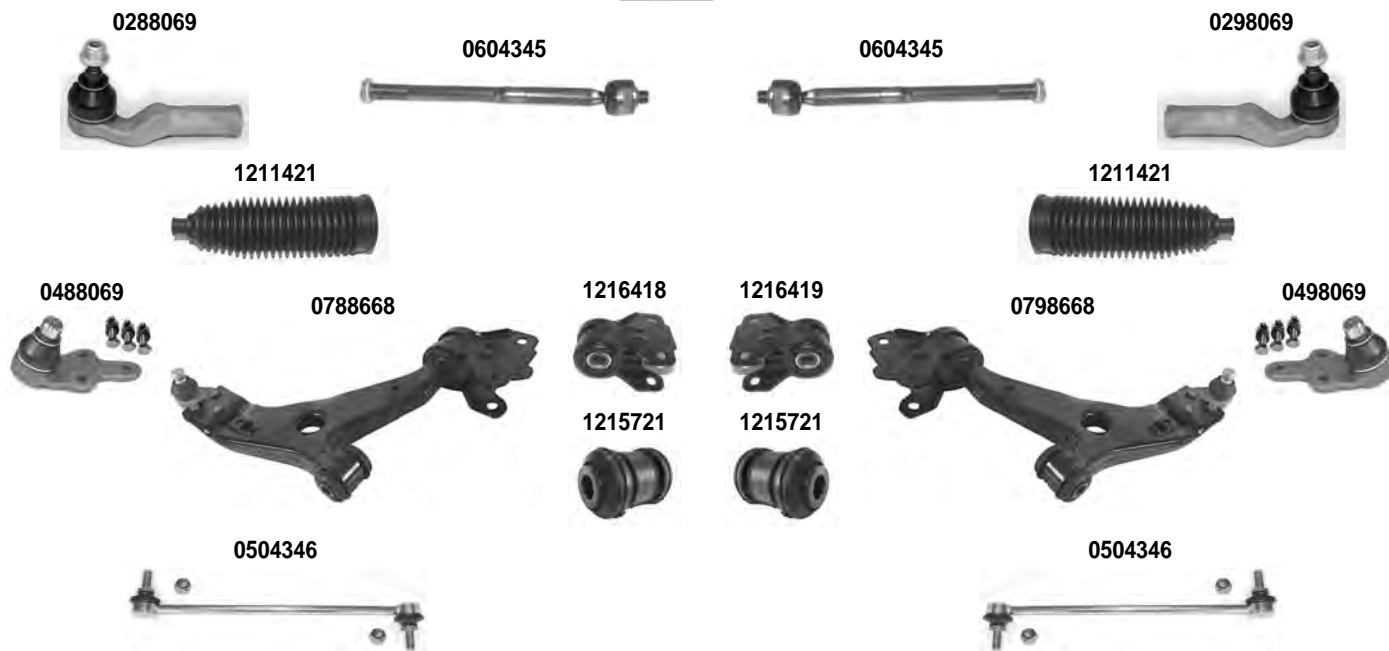
TOURNEO CONNECT
GRAND TOURNEO CONNECT
TRANSIT CONNECT

09/2013 >
09/2013 >
09/2013 >

Asse Anteriore



Front Axle



OCAP	O.E.		i	
0288069	1714576	TESTA STERZO TIE ROD END		RHT M16x1,5
0298069	1714700	TESTA STERZO TIE ROD END		RHT M16x1,5
0488069	1702970 *	SNODO SOSPENSIONE - INFERIORE BALL JOINT - LOWER		
0498069	1702983 *	SNODO SOSPENSIONE - INFERIORE BALL JOINT - LOWER		
0504346	1230909	STABILIZZATORE STABILIZER LINK		
0604345	1251937	SNODO ASSIALE AXIAL JOINT		RHT M16x1,5
0788668	2080389	BRACCIO OSCILLANTE TRACK CONTROL ARM		
0798668	2080391	BRACCIO OSCILLANTE TRACK CONTROL ARM		
1211421	1334215	CUFFIA STERZO STEERING GAITER		
1215721	2080389 *	SILENTBLOCK CENTRALE CENTRAL BUSHING		
1216418	2247271	SILENTBLOCK ESTREMO OUTER BUSHING		
1216419	2246227	SILENTBLOCK ESTREMO OUTER BUSHING		

DESTRO
RIGHT



SINISTRO
LEFT

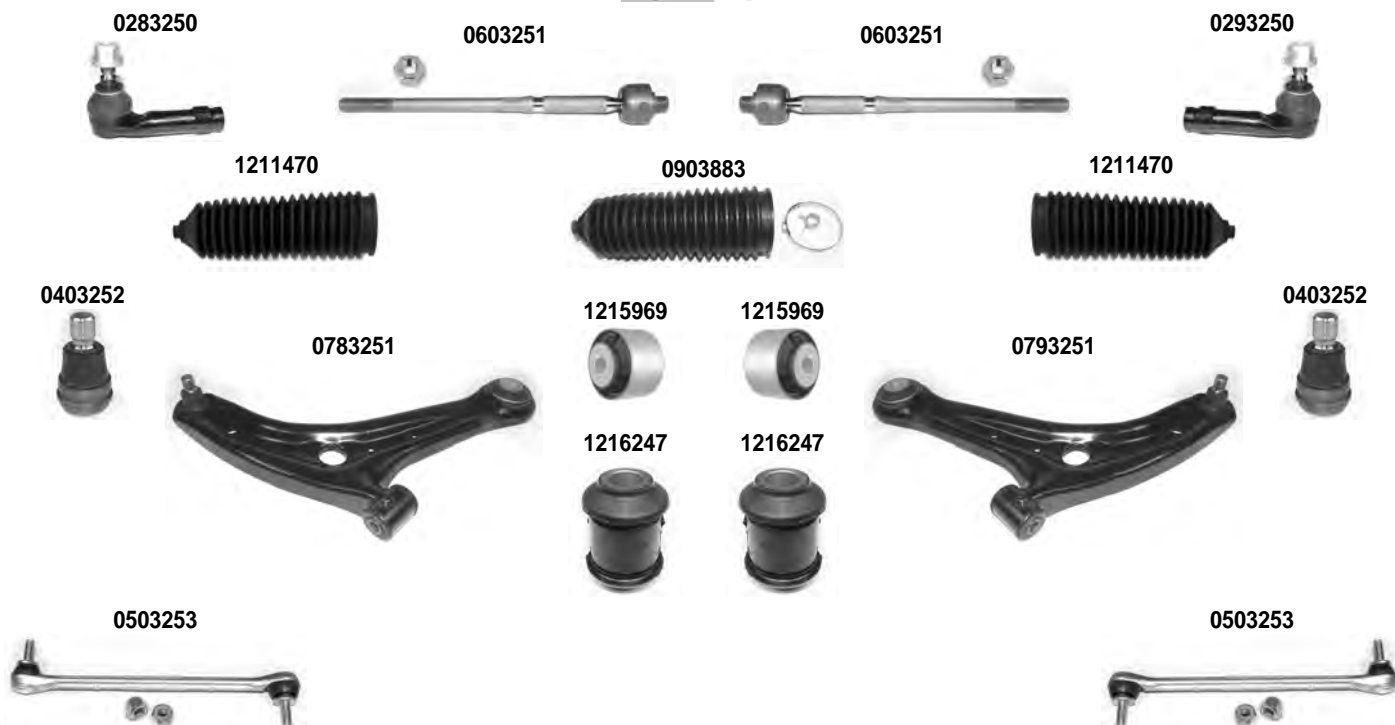
TOURNEO COURIER
TRANSIT COURIER

02/2014 >
02/2014 >

Asse Anteriore



Front Axle



OCAP	O.E.			
0283250	1545338	TESTA STERZO TIE ROD END		RHT M14x1,5
0293250	1545339	TESTA STERZO TIE ROD END		RHT M14x1,5
0403252	1532433 *	SNODO SOSPENSIONE BALL JOINT		DIAM. 17,5 mm.
0503253	1513343	STABILIZZATORE STABILIZER LINK		
0603251	1545457	SNODO ASSIALE AXIAL JOINT		RHT M14x1,5
0783251	1834054	BRACCIO OSCILLANTE TRACK CONTROL ARM		
0793251	1834055	BRACCIO OSCILLANTE TRACK CONTROL ARM		
0903883	77362509	KIT CUFFIA STERZO STEERING GAITER KIT		
1211470	77362509 *	CUFFIA STERZO STEERING GAITER		
1215969	1540724 *	SILENTBLOCK ESTREMO OUTER BUSHING		
1216247	AY113063AA	SILENTBLOCK CENTRALE CENTRAL BUSHING		

DESTRO
RIGHT



SINISTRO
LEFT

TRANSIT		1964 > 1985
---------	--	-------------

Asse Anteriore



Front Axle

0180658



0500086



0190658



0180659



0500087



0190659



1215438



OCAP	O.E.			
0180658	6148436	TESTA STERZO TIE ROD END		RHT M20x1,5
0180659	1796515	TESTA STERZO TIE ROD END		RHT M18x1,5
0190658	6148439	TESTA STERZO TIE ROD END		LHT M20x1,5
0190659	1796516	TESTA STERZO TIE ROD END		LHT M18x1,5
0500086	6148432	BARRA STERZO TIE ROD		
0500087	6051905	BARRA STERZO TIE ROD		
1215438	1521097	BOCCOLA BALESTRA RUBBER RING FOR LEAF SPRING		

DESTRO
RIGHT



SINISTRO
LEFT

TRANSIT

WITH STEERING BOX

1985 > 1986

Asse Anteriore

Front Axle



OCAP	O.E.			
0180085	6148996	TESTA STERZO TIE ROD END		RHT M20x1,5
0190085	6148999	TESTA STERZO TIE ROD END		LHT M20x1,5
0280080	6156450	TESTA STERZO TIE ROD END		RHT M16x1,5
0290080	6156456	TESTA STERZO TIE ROD END		LHT M16x1,5
0400082	6154161	SNODO SOSPENSIONE - INFERIORE BALL JOINT - LOWER		
0782750	6178028	BRACCIO OSCILLANTE - INFERIORE TRACK CONTROL ARM - LOWER		
0792750	6157753	BRACCIO OSCILLANTE - INFERIORE TRACK CONTROL ARM - LOWER		
1214186	6150977	SILENTBLOCK BARRA STABILIZZATRICE STABILIZING BAR BUSHING		DIAM.17mm

TRANSIT

DESTRO
RIGHT



SINISTRO
LEFT

TRANSIT	WITH STEERING BOX	1986 >
---------	-------------------	--------

Asse Anteriore



Front Axle

0181718



0191718



0181719



0501719



0191719



0280080



0501720



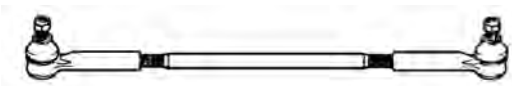
0290080



0281678



0501721



0290080



i	1) > 1987	2) 1987 >
	3) STERZO MANUALE - MANUAL STEERING: 1987 > 1991	

OCAP	O.E.		i	
0181718	5021443	TESTA STERZO TIE ROD END	1)	RHT M20x1,5
0181719	5021446	TESTA STERZO TIE ROD END	2)	RHT M20x1,5
0191718	5021444	TESTA STERZO TIE ROD END	1)	LHT M20x1,5
0191719	5021447	TESTA STERZO TIE ROD END	2)	LHT M20x1,5
0280080	6156450	TESTA STERZO TIE ROD END	1)	RHT M16x1,5
0281678	6589456	TESTA STERZO TIE ROD END	1)	RHT M16x1,5
0290080	5021445	TESTA STERZO TIE ROD END	1)	LHT M16x1,5
0501719	6792899	BARRA STERZO TIE ROD	2)	
0501720	6172645	BARRA STERZO TIE ROD	1)	
0501721	6589459	BARRA STERZO TIE ROD	3)	

DESTRO
RIGHT



SINISTRO
LEFT

TRANSIT	WITH STEERING BOX	1986 >
---------	-------------------	--------

Asse Anteriore



Front Axle

0281678



0501678



0291678



0782750

0792750

0400082



0400082



1215438

1214186



i 1) > 1987	4) SERVOSTERZO - POWER STEERING: 1987 > 1991
--------------------	--

OCAP	O.E.		i	
0281678	6589456	TESTA STERZO TIE ROD END	1)	RHT M16x1,5
0291678	6589457	TESTA STERZO TIE ROD END	1)	LHT M16x1,5
0400082	6154161	SNODO SOSPENSIONE - INFERIORE BALL JOINT - LOWER		
0501678	6589460	BARRA STERZO TIE ROD	4)	
0782750	6178028	BRACCIO OSCILLANTE - INFERIORE TRACK CONTROL ARM - LOWER		
0792750	6157753	BRACCIO OSCILLANTE - INFERIORE TRACK CONTROL ARM - LOWER		
1214186	6150977	SILENTBLOCK BARRA STABILIZZATRICE STABILIZING BAR BUSHING		DIAM. 17 mm.
1215438	1521097	BOCCOLA BALESTRA RUBBER RING FOR LEAF SPRING		

DESTRO
RIGHT



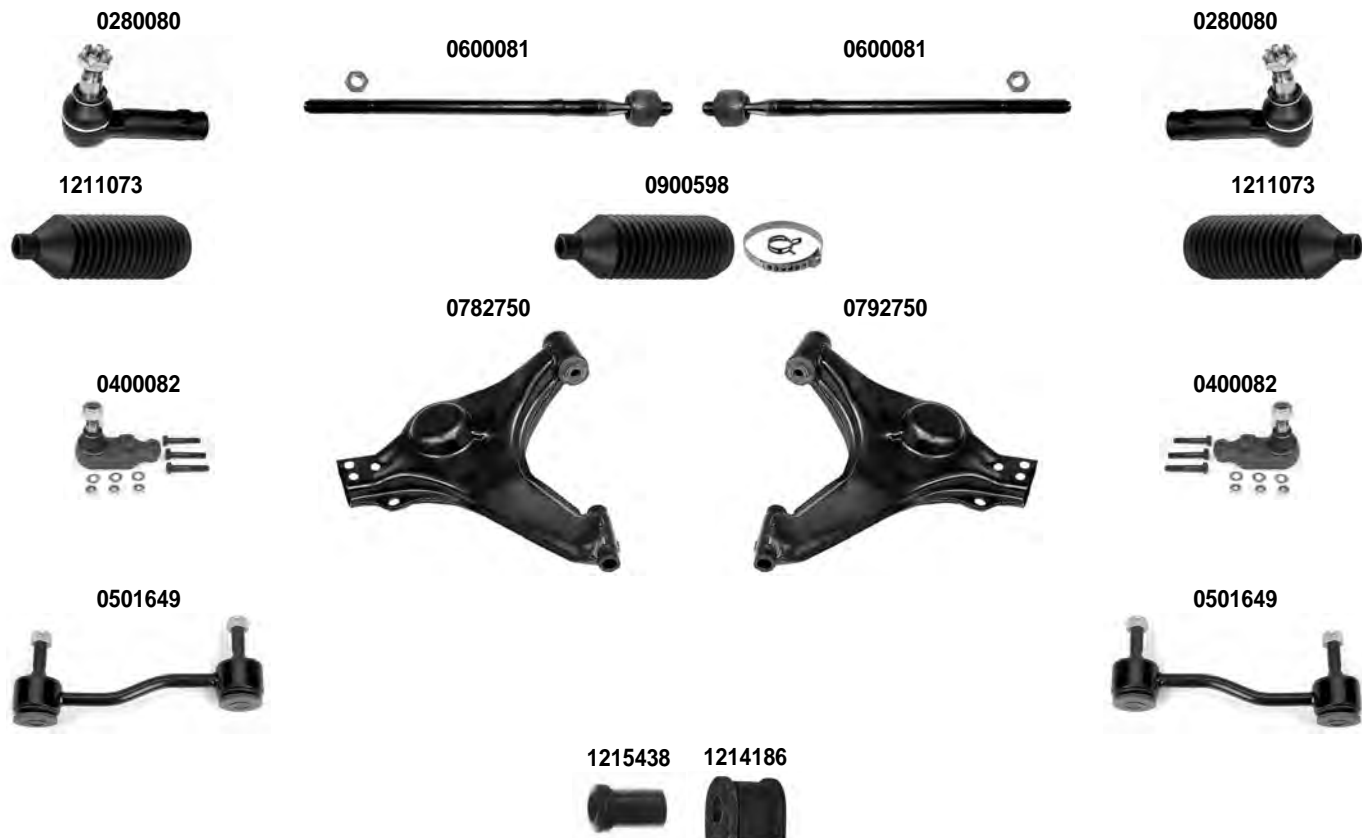
SINISTRO
LEFT

TRANSIT	WITH GEAR-RACK AND PINION STEERING	1985 > 1991
---------	------------------------------------	-------------

Asse Anteriore



Front Axle



OCAP	O.E.		
0280080	5021442	TESTA STERZO TIE ROD END	RHT M16x1,5
0400082	6198474	SNODO SOSPENSIONE - INFERIORE BALL JOINT - LOWER	
0501649	6158242	STABILIZZATORE STABILIZER LINK	
0600081	6869951	SNODO ASSIALE AXIAL JOINT	RHT M16x1,5
0782750	6178028	BRACCIO OSCILLANTE - INFERIORE TRACK CONTROL ARM - LOWER	
0792750	6157753	BRACCIO OSCILLANTE - INFERIORE TRACK CONTROL ARM - LOWER	
0900598	6160070 *	KIT CUFFIE STERZO STEERING GAITER KIT	
1211073	6160070	CUFFIA STERZO STEERING GAITER	
1214186	6150977	SILENTBLOCK BARRA STABILIZZATRICE STABILIZING BAR BUSHING	DIAM. 17 mm.
1215438	1521097	BOCCOLA BALESTRA RUBBER RING FOR LEAF SPRING	

DESTRO
RIGHT



SINISTRO
LEFT

TRANSIT

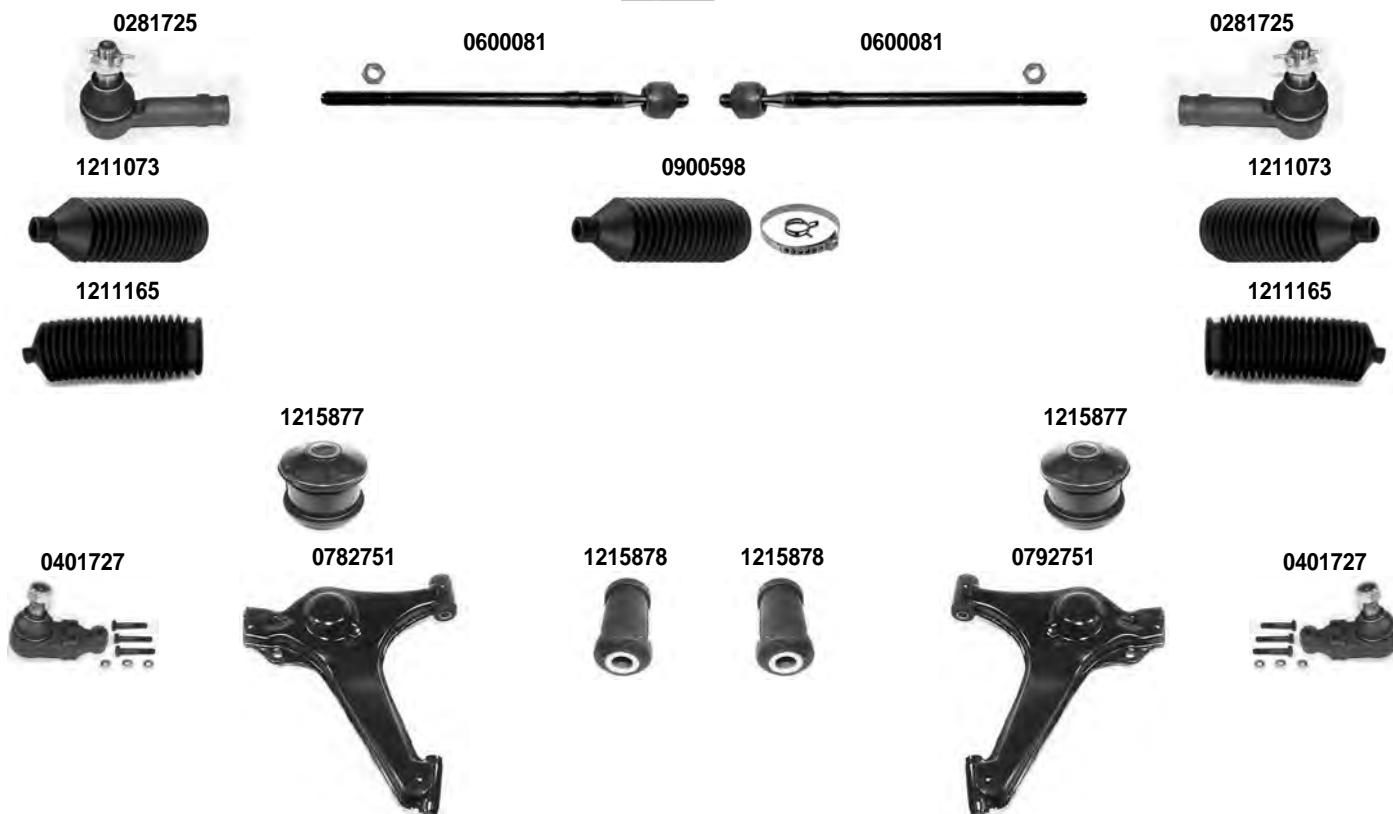
E

1992 > 2000

Asse Anteriore



Front Axle



1) STERZO MANUALE - MANUAL STEERING			2) SERVOSTERZO - POWER STEERING	
OCAP	O.E.			
0281725	6687191	TESTA STERZO TIE ROD END		RHT M16x1,5
0401727	5025676	SNODO SOSPENSIONE - INFERIORE BALL JOINT - LOWER		
0600081	6869951	SNODO ASSIALE AXIAL JOINT		RHT M16x1,5
0782751	6608830	BRACCIO OSCILLANTE - INFERIORE TRACK CONTROL ARM - LOWER		
0792751	6608832	BRACCIO OSCILLANTE - INFERIORE TRACK CONTROL ARM - LOWER		
0900598	6160070 *	KIT CUFFIE STERZO STEERING GAITER KIT	1)	
1211073	6160070	CUFFIA STERZO STEERING GAITER	1)	
1211165	6869950	CUFFIA STERZO STEERING GAITER	2)	
1215877	6608818	SILENTBLOCK BRACCIO OSCILLANTE - CENTRALE - INTERNO TRACK CONTROL ARM BUSHING - CENTRAL - INNER		
1215878	6517356	SILENTBLOCK BRACCIO OSCILLANTE - CENTRALE - ESTERNO TRACK CONTROL ARM BUSHING - CENTRAL - OUTER		

DESTRO
RIGHT



SINISTRO
LEFT

TRANSIT

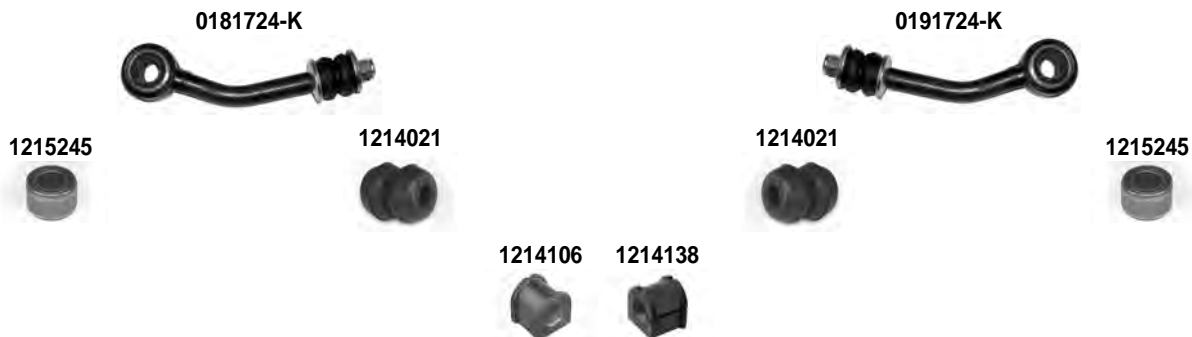
E

1992 > 2000

Asse Anteriore



Front Axle



OCAP	O.E.			
1214021	1631619	GOMMINO PUNTONE BARRA STABILIZZATRICE RUBBER RING STABILIZING BAR		
1214106	6521812	SILENTBLOCK BARRA STABILIZZATRICE STABILIZING BAR BUSHING		DIAM. 20 mm.
1214138	6521811	SILENTBLOCK BARRA STABILIZZATRICE STABILIZING BAR BUSHING		DIAM. 18 mm.
1215245	-	SILENTBLOCK PUNTONE STABILIZER LINK BUSHING		
0181724-K	6150970	PUNTONE BARRA STABILIZZATRICE STABILIZER LINK		
0191724-K	6150971	PUNTONE BARRA STABILIZZATRICE STABILIZER LINK		

DESTRO
RIGHT



SINISTRO
LEFT

TRANSIT
TRANSIT

F
FA-FF-FM-FN



03/2000 > 2006
04/2006 > 2013

Asse Anteriore



Front Axle



OCAP	O.E.		
0283867	1138275	TESTA STERZO TIE ROD END	RHT M16x1,5
0403869	1817752	SNODO SOSPENSIONE BALL JOINT	
0683868	4059924	SNODO ASSIALE AXIAL JOINT	RHT M16x1,5
0693868	4059923	SNODO ASSIALE AXIAL JOINT	RHT M16x1,5
0783869	4540774	BRACCIO OSCILLANTE TRACK CONTROL ARM	
0793869	4540775	BRACCIO OSCILLANTE TRACK CONTROL ARM	
0983868	4059922	KIT CUFFIA STERZO STEERING GAITER KIT	
0993868	4059921	KIT CUFFIA STERZO STEERING GAITER KIT	
1215677	4131788	SILENTBLOCK CENTRALE CENTRAL BUSHING	
1215678	4540787	SILENTBLOCK ESTREMO OUTER BUSHING	

DESTRO
RIGHT



SINISTRO
LEFT

TRANSIT TRANSIT	F FA-FF-FM-FN	03/2000 > 2006 04/2006 > 2013
----------------------------	------------------	----------------------------------

Asse Anteriore



Front Axle



i 1) VEICOLI CARICO MAGGIORATO - FOR VEHICLES WITH INCREASED AXLE LOAD 3) SERIE - SERIES: 260/280/300	2) 04/2006 > 4) SERIE - SERIES: 330/350
---	--

OCAP	O.E.		i	
0403867	1817754	SNODO SOSPENSIONE BALL JOINT	1)	
0503254	4519467	STABILIZZATORE STABILIZER LINK	4)	
0503870	3736028	PUNTOLE STABILIZER LINK	3)	
0783867	1553239	BRACCIO OSCILLANTE TRACK CONTROL ARM	1) 2)	
0793867	1553250	BRACCIO OSCILLANTE TRACK CONTROL ARM	1) 2)	
0903870	3736028 *	KIT STABILIZZATORE STABILIZER LINK KIT	3)	
1214192	4041489	SILENTBLOCK BARRA STABILIZZATRICE STABILIZING BAR BUSHING		DIAM. 23 mm.
1215677	4131788	SILENTBLOCK CENTRALE CENTRAL BUSHING		
1215678	4540787	SILENTBLOCK ESTREMO OUTER BUSHING		

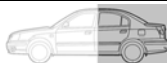
DESTRO
RIGHT



SINISTRO
LEFT

TRANSIT TRANSIT	F	03/2000 > 2006
	FA-FF-FM-FN	04/2006 > 2013

Asse Posteriore



Rear Axle

0503871

0503872

0503872

0503871



i	5) SOLO PER: MOD. RUOTE GEMELLATE	i
	ONLY FOR: MOD. TWIN WHEEL - > 08/2001	
	6) PER TUTTI I MODELLI	
	MOD. RUOTE GEMELLATE - 08/2001 >	
	FOR ALL MODEL - MOD. TWIN WHEEL - 08/2001 >	

OCAP	O.E.		i	
0503871	4042068	STABILIZZATORE STABILIZER LINK	5)	
0503872	4440885	STABILIZZATORE STABILIZER LINK	6)	

DESTRO
RIGHT



SINISTRO
LEFT

TRANSIT V363
TOURNEO CUSTOM

FAD-FBD-FCD-FDD-FED-FFD

08/2013 >
04/2012 >

Asse Anteriore



Front Axle



OCAP	O.E.		
0283867	1138275	TESTA STERZO TIE ROD END	RHT M16x1,5
0403869	1817752	SNODO SOSPENSIONE BALL JOINT	
0603867	1763991	SNODO ASSIALE AXIAL JOINT	RHT M16x1,5
0783868	1877332	BRACCIO OSCILLANTE TRACK CONTROL ARM	
0793868	1877334	BRACCIO OSCILLANTE TRACK CONTROL ARM	
1216245	BK213059A	SILENTBLOCK CENTRALE CENTRAL BUSHING	
1216246	BK213A262AC	SILENTBLOCK ESTREMO OUTER BUSHING	

DESTRO
RIGHT



SINISTRO
LEFT

TRANSIT V363
TOURNEO CUSTOM

FAD-FBD-FCD-FDD-FED-FFD

08/2013 >
04/2012 >

Asse Anteriore



Front Axle

1216245



0783870



0793870



1216245



1216246



0403867



0403867



1216246




0503254



0503254



i 1) VEICOLI CARICO MAGGIORATO - FOR VEHICLES WITH INCREASED AXLE LOAD

OCAP	O.E.		i	
0403867	1817754	SNODO SOSPENSIONE BALL JOINT	1)	
0503254	4519467	STABILIZZATORE STABILIZER LINK		
0783870	1903526	BRACCIO OSCILLANTE TRACK CONTROL ARM	1)	
0793870	1903527	BRACCIO OSCILLANTE TRACK CONTROL ARM	1)	
1216245	BK213059A	SILENTBLOCK CENTRALE CENTRAL BUSHING		
1216246	BK213A262AC	SILENTBLOCK ESTREMO OUTER BUSHING		

DESTRO
RIGHT



SINISTRO
LEFT

CHEVETTE - HATCH - MARAJÓ'

Asse Anteriore



Front Axle

0180302



0600303



0600303



0180302



0400755



0400333



0400333



0400755



OCAP	O.E.			
0180302	7329559	TESTA STERZO TIE ROD END		RHT M14x1,5
0400333	7329482	SNODO SOSPENSIONE - INFERIORE SUSPENSION JOINT - LOWER		
0400755	7329356	SNODO SOSPENSIONE - SUPERIORE SUSPENSION JOINT - UPPER		
0600303	7317075 *	SNODO ASSIALE AXIAL JOINT		RHT M14x1,5

DESTRO
RIGHT



SINISTRO
LEFT

MONZA

Asse Anteriore



Front Axle

0280771



0280772



0290772



0290771



0900760



0900760



0400773



0400773



OCAP	O.E.		
0280771	90135955	TESTA STERZO TIE ROD END	LHT M16x1,5
0280772	90125120	TESTA STERZO TIE ROD END	RHT M16x1,5
0290771	90135954	TESTA STERZO TIE ROD END	RHT M16x1,5
0290772	90125119	TESTA STERZO TIE ROD END	LHT M16x1,5
0400773	1603163	SNODO SOSPENSIONE - INFERIORE BALL JOINT - LOWER	
0900760	90105358	GIUNTO COLLEGAMENTO ADJUSTMENT BOLT	

DESTRO
RIGHT



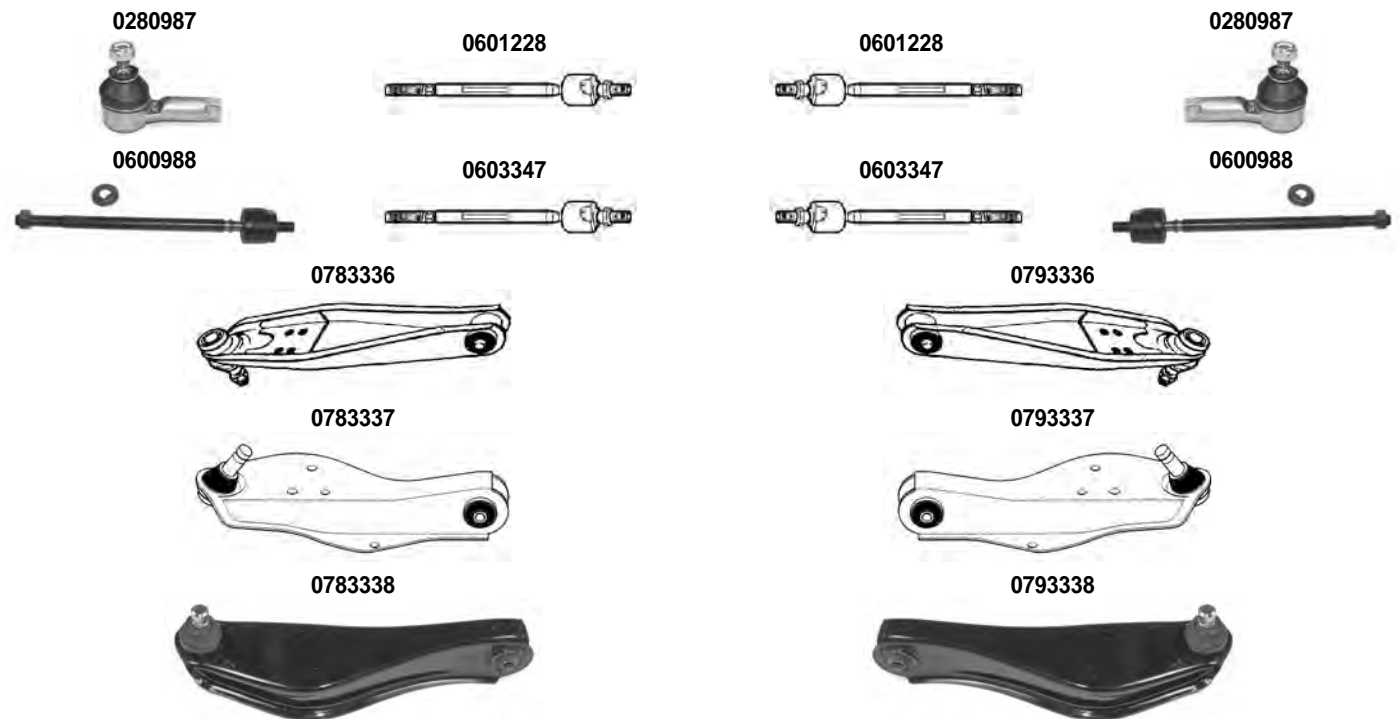
SINISTRO
LEFT

ACCORD I ACCORD II	SJ-SM-SV-SY-SZ AC 1.6-AD 1.8	1976 > 1983 1983 > 1985
-----------------------	---------------------------------	----------------------------

Asse Anteriore



Front Axle



i 1) SOLO PER - ONLY FOR: ACCORD I (SJ-SM-SV) - > 1983 3) SOLO PER - ONLY FOR: ACCORD II (AC 1.6-AD 1.8) - 1983 >	2) SOLO PER - ONLY FOR: ACCORD I (SY-SZ) - > 1983
---	---

OCAP	O.E.		
0280987	53540-SC2-004	TESTA STERZO TIE ROD END	RHT M12x1,5
0600988	53521-SA0-003	SNODO ASSIALE AXIAL JOINT	2) RHT M12x1,5
0601228	53521-689-003	SNODO ASSIALE AXIAL JOINT	1) RHT M12x1,5
0603347	53521-SA5-000	SNODO ASSIALE AXIAL JOINT	3) RHT M12x1,5
0783336	51350-671-003	BRACCIO OSCILLANTE - INFERIORE TRACK CONTROL ARM - LOWER	1)
0783337	51350-SA5-013	BRACCIO OSCILLANTE - INFERIORE TRACK CONTROL ARM - LOWER	2)
0783338	51350-SA5-020	BRACCIO OSCILLANTE - INFERIORE TRACK CONTROL ARM - LOWER	3)
0793336	51360-671-003	BRACCIO OSCILLANTE - INFERIORE TRACK CONTROL ARM - LOWER	1)
0793337	51360-SA5-013	BRACCIO OSCILLANTE - INFERIORE TRACK CONTROL ARM - LOWER	2)
0793338	51360-SA5-020	BRACCIO OSCILLANTE - INFERIORE TRACK CONTROL ARM - LOWER	3)

DESTRO
RIGHT



SINISTRO
LEFT

ACCORD III

CA1-2-3-4-5 - AERODECK (CA5)

1985 > 1989

Asse Anteriore



Front Axle



Asse Posteriore



Rear Axle



OCAP	O.E.		i	
0280987	53540-SC2-004	TESTA STERZO TIE ROD END		RHT M12x1,5
0401679	51220-S04-003	SNODO SOSPENSIONE - INFERIORE BALL JOINT - LOWER		
0504532	90112-SE0-000	STABILIZZATORE STABILIZER LINK		
0600988	53521-SE0-003	SNODO ASSIALE AXIAL JOINT		RHT M12x1,5
0703341	52390-SE0-023	BRACCIO SOSPENSIONE - SUPERIORE CONTROL ARM - UPPER		
0783339	51459-SE0-000	BRACCIO OSCILLANTE - SUPERIORE - CONSILENTBLOCK TRACK CONTROL ARM - UPPER - WITH BUSHING		
0783340	51355-SE0-010	BRACCIO OSCILLANTE - INFERIORE TRACK CONTROL ARM - LOWER		
0793339	51469-SE0-000	BRACCIO OSCILLANTE - SUPERIORE - CONSILENTBLOCK TRACK CONTROL ARM - UPPER - WITH BUSHING		
0793340	51365-SE0-010	BRACCIO OSCILLANTE - INFERIORE TRACK CONTROL ARM - LOWER		

DESTRO
RIGHT



SINISTRO
LEFT

ACCORD IV

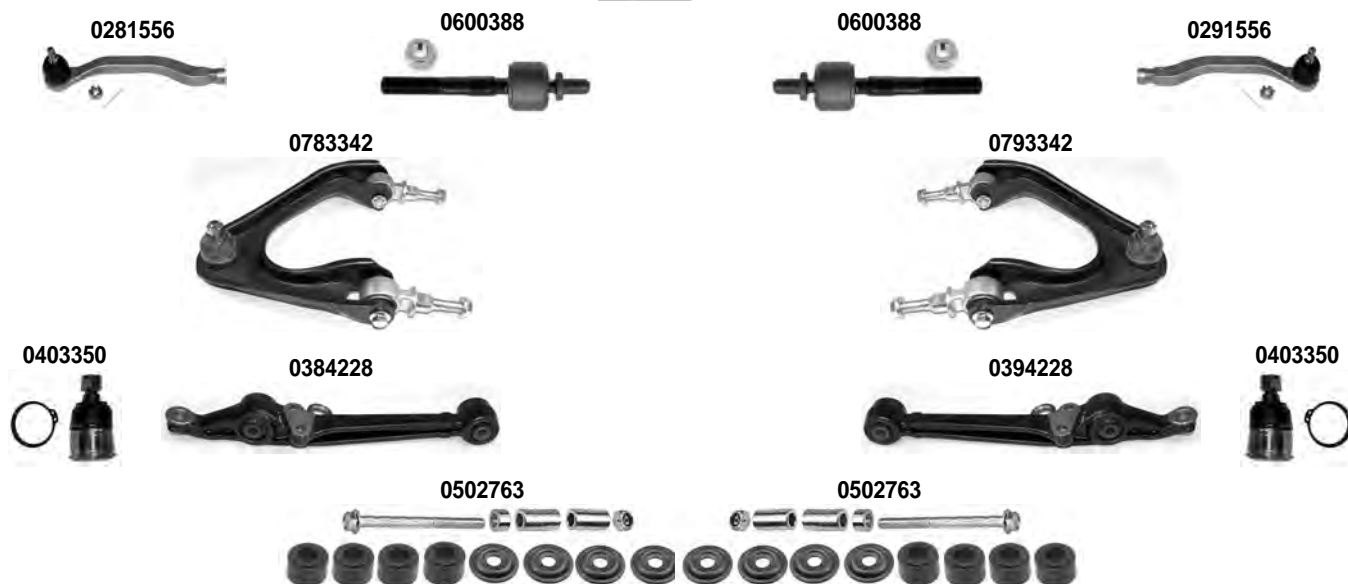
CB - CC - CD
AERODECK (CB8-CC)
COUPE' (CC1)

1990 > 1993
1991 > 1993
1992 > 1993

Asse Anteriore



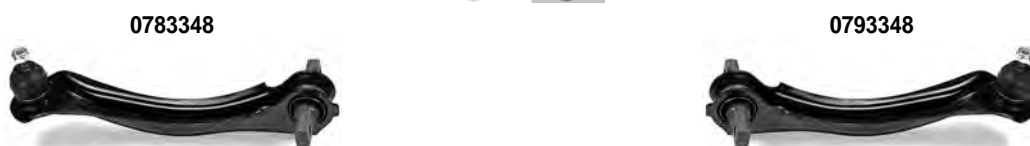
Front Axle



Asse Posteriore



Rear Axle



OCAP	O.E.			
0281556	53540-SM4-003	TESTA STERZO TIE ROD END		RHT M14x1,5
0291556	53560-SM4-003	TESTA STERZO TIE ROD END		RHT M14x1,5
0384228	51355-SM4-040	BRACCIO OSCILLANTE - INFERIORE TRACK CONTROL ARM - LOWER		
0394228	51365-SM4-040	BRACCIO OSCILLANTE - INFERIORE TRACK CONTROL ARM - LOWER		
0403350	51220-SM4-013	SNODO SOSPENSIONE - INFERIORE BALL JOINT - LOWER		
0502763	90112-SM4-020	STABILIZZATORE STABILIZER LINK		
0600388	53521-SM4-013	SNODO ASSIALE AXIAL JOINT		RHT M14x1,5
0783342	51450-SM4-013	BRACCIO OSCILLANTE - SUPERIORE TRACK CONTROL ARM - UPPER		
0783348	52390-SM4-033	BRACCIO SOSPENSIONE SUSPENSION CONTROL ARM		
0793342	51460-SM4-013	BRACCIO OSCILLANTE - SUPERIORE TRACK CONTROL ARM - UPPER		
0793348	52400-SM4-033	BRACCIO SOSPENSIONE SUSPENSION CONTROL ARM		

DESTRO
RIGHT

 SINISTRO
LEFT

ACCORD V
ACCORD V
SHUTTLE

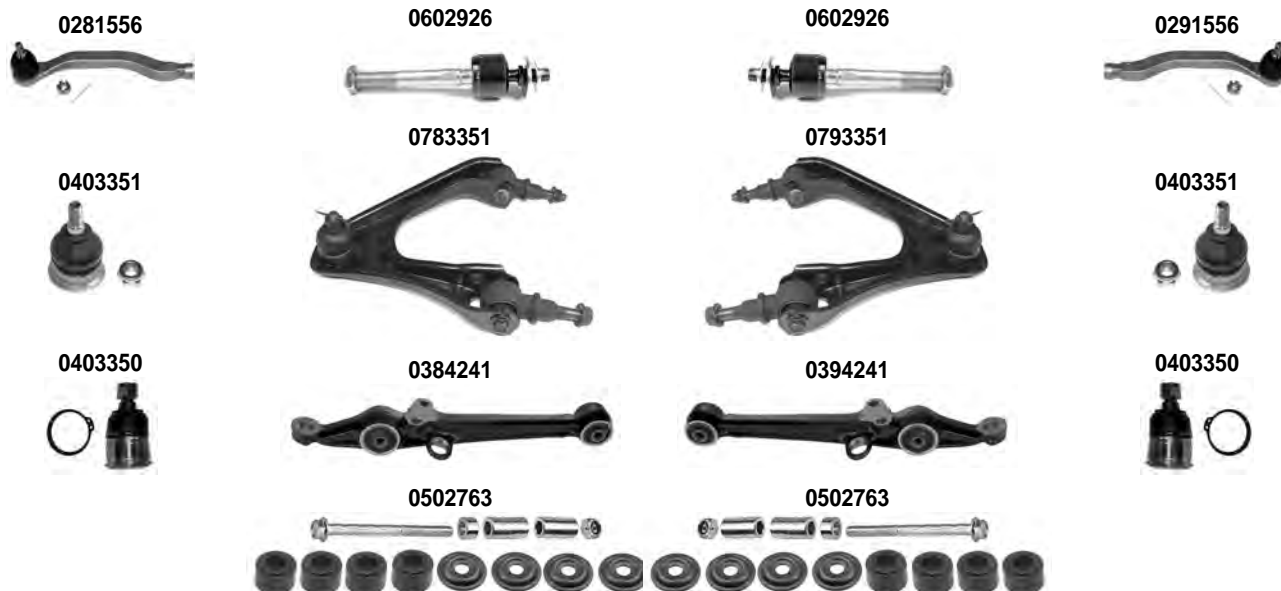
 CC7 - CD - CE - CD7 - CD9
CE, CF
RA

 1993 > 1998
1996 > 1998
1998 > 2001

Asse Anteriore



Front Axle



Asse Posteriore



Rear Axle


i 1) SOLO PER - ONLY FOR: ACCORD V

OCAP	O.E.		i	
0281556	53540-SX0-013	TESTA STERZO TIE ROD END		RHT M14x1,5
0291556	53560-SX0-013	TESTA STERZO TIE ROD END		RHT M14x1,5
0384241	51355-SV4-000	BRACCIO OSCILLANTE - INFERIORE TRACK CONTROL ARM - LOWER	1)	
0394241	51365-SV4-000	BRACCIO OSCILLANTE - INFERIORE TRACK CONTROL ARM - LOWER	1)	
0403350	51220-SM1-A01	SNODO SOSPENSIONE - INFERIORE SUSPENSION JOINT - LOWER		
0403351	51450-SV4-000 *	SNODO SOSPENSIONE - SUPERIORE BALL JOINT - UPPER		
0502763	90112-SM4-020	STABILIZZATORE STABILIZER LINK		
0602926	53010-SV4-000	SNODO ASSIALE AXIAL JOINT		RHT M14x1,5
0783348	52390-SM4-033	BRACCIO SOSPENSIONE TRACK CONTROL ARM	1)	
0783351	51450-SV4-000	BRACCIO OSCILLANTE - SUPERIORE TRACK CONTROL ARM - UPPER		
0793348	52400-SM4-033	BRACCIO SOSPENSIONE TRACK CONTROL ARM	1)	
0793351	51460-SV4-000	BRACCIO OSCILLANTE - SUPERIORE TRACK CONTROL ARM - UPPER		

DESTRO
RIGHT



SINISTRO
LEFT

ACCORD VI

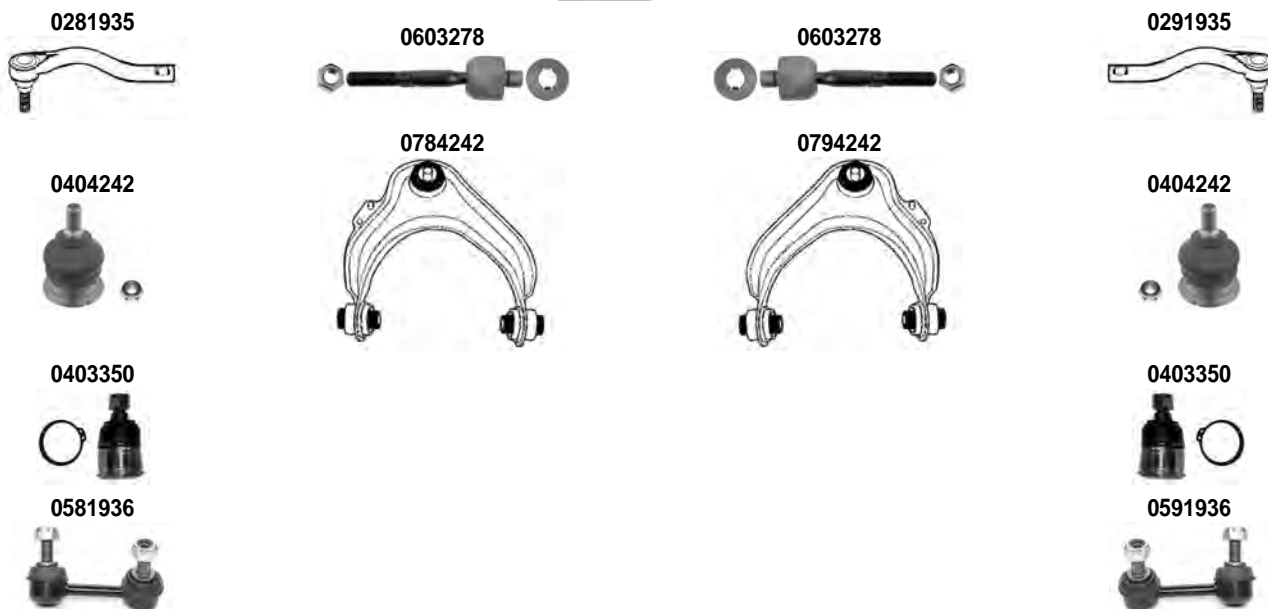
CG: 1.6i-1.8i-2.0i-2.2i-2.3
HATCHBACK (CH): 1.8-2.0-2.3
COUPE' (CG): 2.0i-3.0

1998 > 2002
1999 > 2002
1998 > 2003

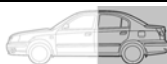
Asse Anteriore



Front Axle



Asse Posteriore



Rear Axle



OCAP	O.E.			
0281935	53540-S1A-E01	TESTA STERZO TIE ROD END		RHT M14x1,5
0291935	53560-S1A-E01	TESTA STERZO TIE ROD END		RHT M14x1,5
0403350	51220-SM1-A01	SNODO SOSPENSIONE - INFERIORE BALL JOINT - LOWER		
0404242	51270-S01-013	SNODO SOSPENSIONE - SUPERIORE BALL JOINT - UPPER		
0581936	51320-S84-A01	STABILIZZATORE STABILIZER LINK		
0584531	52320-S84-A01	STABILIZZATORE - POSTERIORE STABILIZER LINK - REAR		
0591936	51321-S84-A01	STABILIZZATORE STABILIZER LINK		
0594531	52325-S84-A01	STABILIZZATORE - POSTERIORE STABILIZER LINK - REAR		
0603278	53010-S84-A01	SNODO ASSIALE AXIAL JOINT		RHT M14x1,5
0784242	51450-S1A-E01	BRACCIO OSCILLANTE - SUPERIORE TRACK CONTROL ARM - UPPER		
0794242	51460-S1A-E01	BRACCIO OSCILLANTE - SUPERIORE TRACK CONTROL ARM - UPPER		

DESTRO
RIGHT

 SINISTRO
LEFT

ACCORD VII
ACCORD VII TOURER

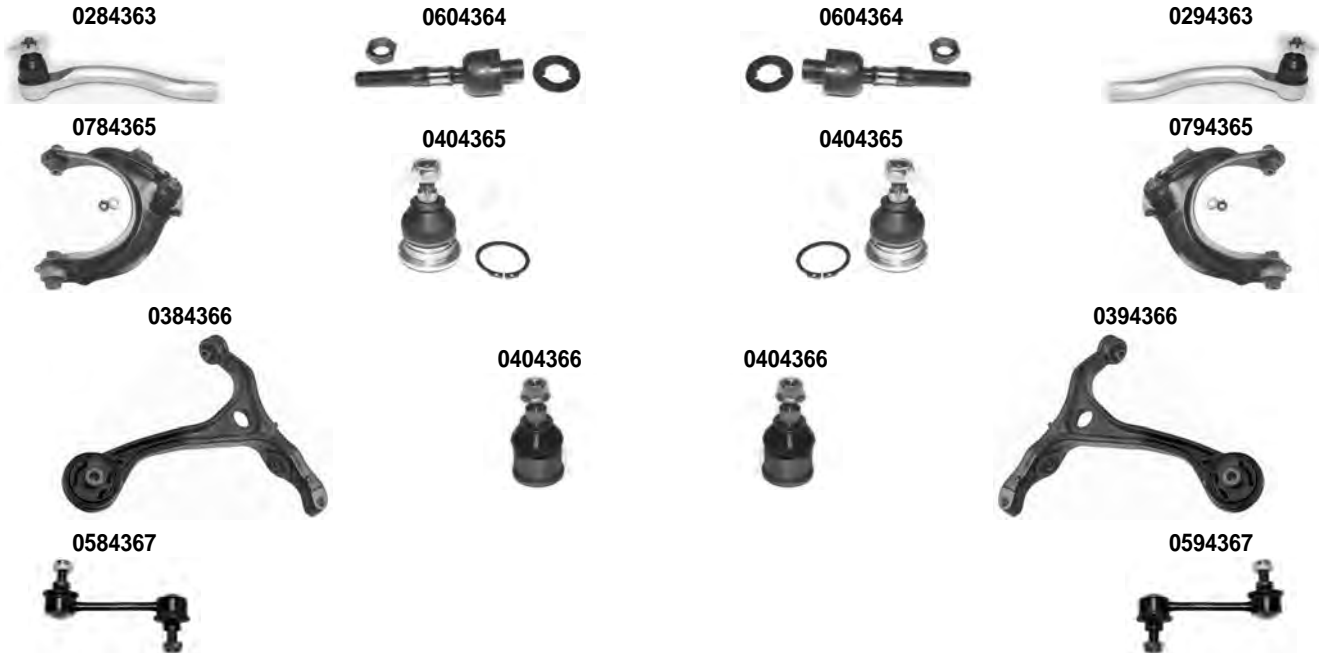
 CL
CM

 2003 > 2008
2003 > 2008

Asse Anteriore



Front Axle



OCAP	O.E.			
0284363	53540-SDA-A01	TESTA STERZO TIE ROD END		RHT M14x1,5
0294363	53560-SDA-A01	TESTA STERZO TIE ROD END		RHT M14x1,5
0384366	51350-SEA-E01	BRACCIO OSCILLANTE - INFERIORE TRACK CONTROL ARM - LOWER		
0394366	51360-SEA-E01	BRACCIO OSCILLANTE - INFERIORE TRACK CONTROL ARM - LOWER		
0404365	51450-SDA-A01 *	SNODO SOSPENSIONE - SUPERIORE BALL JOINT - UPPER		
0404366	51350-SEA-E01 *	SNODO SOSPENSIONE - INFERIORE BALL JOINT - LOWER		
0584367	51320-SEA-E01	STABILIZZATORE STABILIZER LINK		
0594367	51321-SEA-E01	STABILIZZATORE STABILIZER LINK		
0604364	53010-SDA-A01	SNODO ASSIALE AXIAL JOINT		RHT M14x1,5
0784365	51450-SDA-A01	BRACCIO OSCILLANTE - SUPERIORE TRACK CONTROL ARM - UPPER		
0794365	51460-SDA-A01	BRACCIO OSCILLANTE - SUPERIORE TRACK CONTROL ARM - UPPER		

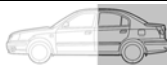
DESTRO
RIGHT



SINISTRO
LEFT

ACCORD VII ACCORD VII TOURER	CL CM	2003 > 2008 2003 > 2008
---------------------------------	----------	----------------------------

Asse Posteriore



Rear Axle

0584531



0509281



0594531



0509281



i 1) SOLO PER - ONLY FOR: ACCORD (CL)	2) SOLO PER - ONLY FOR: ACCORD TOURER (CM)
--	---

OCAP	O.E.		i	
0509281	52320-SED-003	STABILIZZATORE STABILIZER LINK	2)	
0584531	52320-S84-A01	STABILIZZATORE STABILIZER LINK	1)	
0594531	52325-S84-A01	STABILIZZATORE STABILIZER LINK	1)	

DESTRO
RIGHT

 SINISTRO
LEFT

ACCORD VIII

CU - SW

07/2008 >

Asse Anteriore



Front Axle

0283279

0603280

0603280

0293279

0404365

0783281

0793281

0404365

0383282

0393282

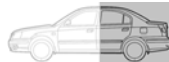
0403282

0403282

0583283

0593283


Asse Posteriore



Rear Axle

0583284

0593284


OCAP	O.E.		
0283279	53540-TA0-A01	TESTA STERZO TIE ROD END	RHT M14x1,5
0293279	53560-TA0-A01	TESTA STERZO TIE ROD END	RHT M14x1,5
0383282	51350-TA0-A00	BRACCIO OSCILLANTE - INFERIORE TRACK CONTROL ARM - LOWER	
0393282	51360-TA0-A00	BRACCIO OSCILLANTE - INFERIORE TRACK CONTROL ARM - LOWER	
0403282	51220-TA0-A02	SNODO SOSPENSIONE - INFERIORE BALL JOINT - LOWER	
0404365	51450-SDA-A01 *	SNODO SOSPENSIONE - SUPERIORE BALL JOINT - UPPER	
0583283	51320-TA0-A01	STABILIZZATORE STABILIZER LINK	
0583284	52320-TA0-A01	STABILIZZATORE STABILIZER LINK	
0593283	51325-TA0-A01	STABILIZZATORE STABILIZER LINK	
0593284	52325-TA0-A01	STABILIZZATORE STABILIZER LINK	
0603280	53610-TL1-G01	SNODO ASSIALE AXIAL JOINT	RHT M14x1,5
0783281	51510-TA0-A03	BRACCIO OSCILLANTE - SUPERIORE TRACK CONTROL ARM - UPPER	
0793281	51520-TA0-A03	BRACCIO OSCILLANTE - SUPERIORE TRACK CONTROL ARM - UPPER	

DESTRO
RIGHT



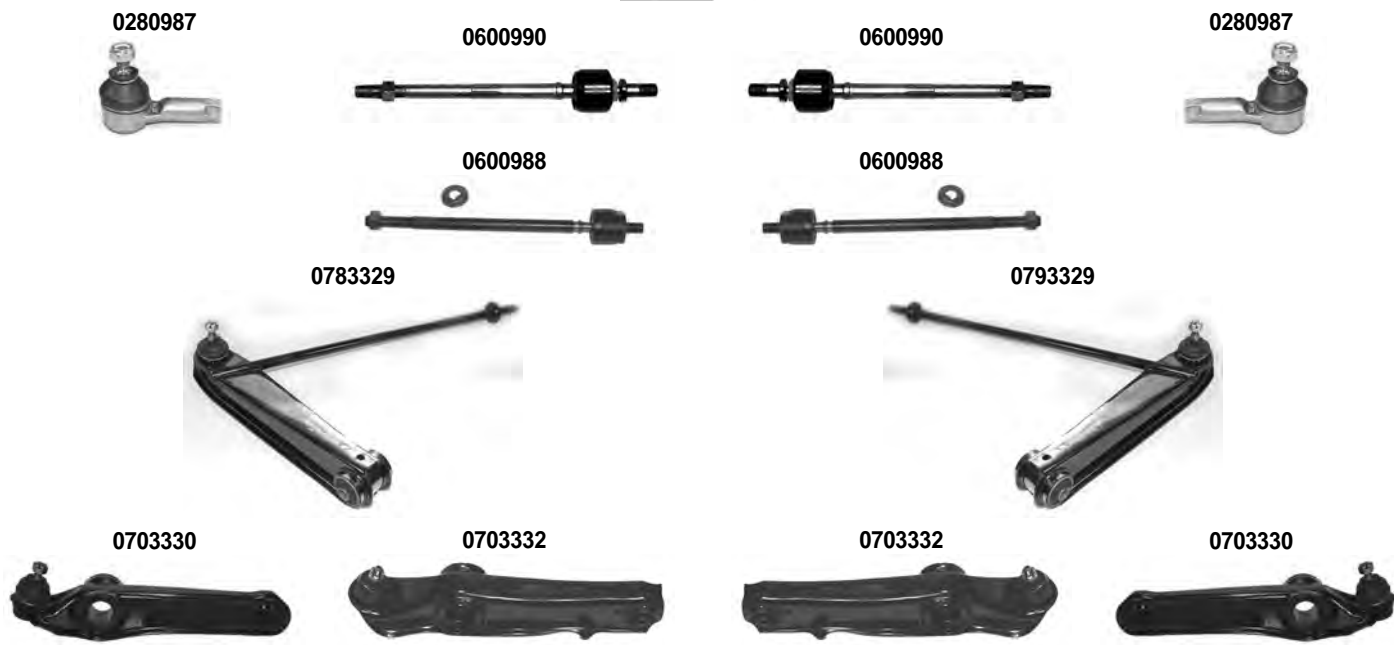
SINISTRO
LEFT

CIVIC I CIVIC II BALLADE	SB SS-ST	1972 > 1983 1978 > 1983 1980 > 1983
--------------------------------	-------------	---

Asse Anteriore



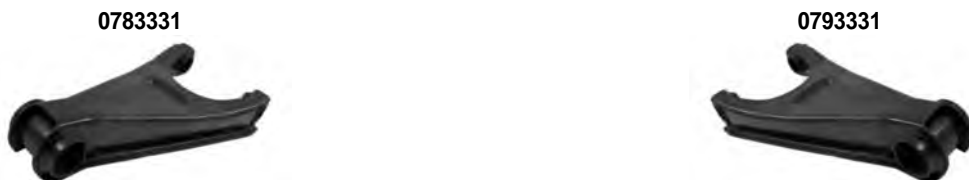
Front Axle



Asse Posteriore



Rear Axle



i 1) > 1979 3) > 1975	2) 1979 > 4) 1975 > 1979
---------------------------------	-----------------------------

OCAP	O.E.		i	
0280987	53540-SC2-004	TESTA STERZO TIE ROD END		RHT M12x1,5
0600988	53521-SA0-003	SNODO ASSIALE AXIAL JOINT	2)	RHT M12x1,5
0600990	53521-634-000	SNODO ASSIALE AXIAL JOINT	1)	RHT M12x1,5
0703330	51350-659-325	BRACCIO OSCILLANTE - INFERIORE TRACK CONTROL ARM - LOWER	4)	
0703332	51350-SA0-000	BRACCIO OSCILLANTE - INFERIORE TRACK CONTROL ARM - LOWER	2)	
0783329	51350-634-000	BRACCIO OSCILLANTE - INFERIORE TRACK CONTROL ARM - LOWER	3)	
0783331	52350-659-315	BRACCIO OSCILLANTE - INFERIORE TRACK CONTROL ARM - LOWER	4)	
0793329	51360-634-000	BRACCIO OSCILLANTE - INFERIORE TRACK CONTROL ARM - LOWER	3)	
0793331	52360-659-315	BRACCIO OSCILLANTE - INFERIORE TRACK CONTROL ARM - LOWER	4)	

DESTRO
RIGHT

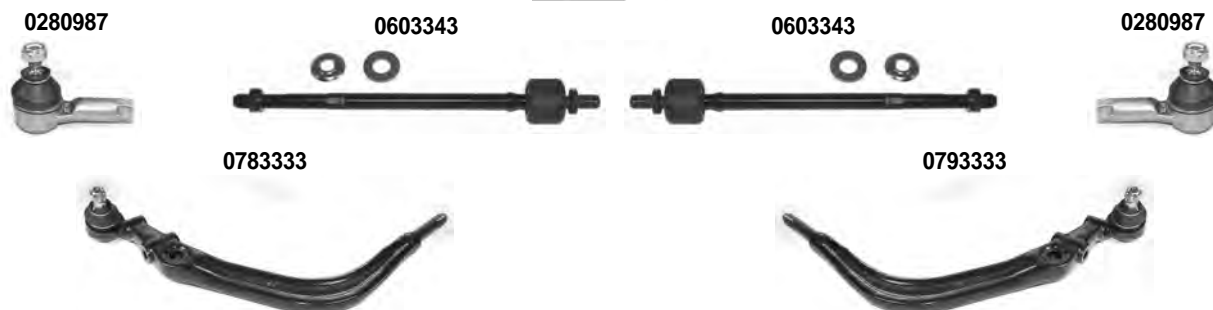
 SINISTRO
LEFT

CIVIC III CRX I CIVIC ATCHBACK (BALLADE) - SHUTTLE	AG-AJ-AH-AK-AT-AU-VJ-AR AE-AF-AS AJ-AK-AN-AR	1983 > 1987 1983 > 1987 1983 > 1987
--	--	---

Asse Anteriore



Front Axle



OCAP	O.E.		
0280987	53540-SC2-004	TESTA STERZO TIE ROD END	RHT M12x1,5
0603343	53521-SB2-013	SNODO ASSIALE AXIAL JOINT	RHT M12x1,5
0783333	51351-SB2-013	BRACCIO OSCILLANTE - INFERIORE TRACK CONTROL ARM - LOWER	
0793333	51361-SB2-013	BRACCIO OSCILLANTE - INFERIORE TRACK CONTROL ARM - LOWER	

DESTRO
RIGHT



SINISTRO
LEFT

CIVIC IV CRX II CIVIC SHUTTLE	EF1-EF2-EF3-EF4-EF5-E42 EF6-EF7 EE	1987 > 1991 1987 > 1992 1988 > 1995
-------------------------------------	--	---

Asse Anteriore



Front Axle



OCAP	O.E.			
0280283	53540-SH3-013	TESTA STERZO TIE ROD END		RHT M14x1,5
0290283	53560-SH3-013	TESTA STERZO TIE ROD END		RHT M14x1,5
0401679	51220-S04-003	SNODO SOSPENSIONE - INFERIORE SUSPENSION JOINT - LOWER		
0504532	90112-SE0-000	STABILIZZATORE STABILIZER LINK		
0600189	53521-SH3-003	SNODO ASSIALE AXIAL JOINT		RHT M14x1,5
0783334	51450-SH3-030	BRACCIO OSCILLANTE - SUPERIORE TRACK CONTROL ARM - UPPER		
0783335	51355-SH3-010	BRACCIO OSCILLANTE - INFERIORE TRACK CONTROL ARM - LOWER		
0793334	51460-SH3-030	BRACCIO OSCILLANTE - SUPERIORE TRACK CONTROL ARM - UPPER		
0793335	51365-SH3-010	BRACCIO OSCILLANTE - INFERIORE TRACK CONTROL ARM - LOWER		

DESTRO
RIGHT

 SINISTRO
LEFT

CIVIC V
CRX III

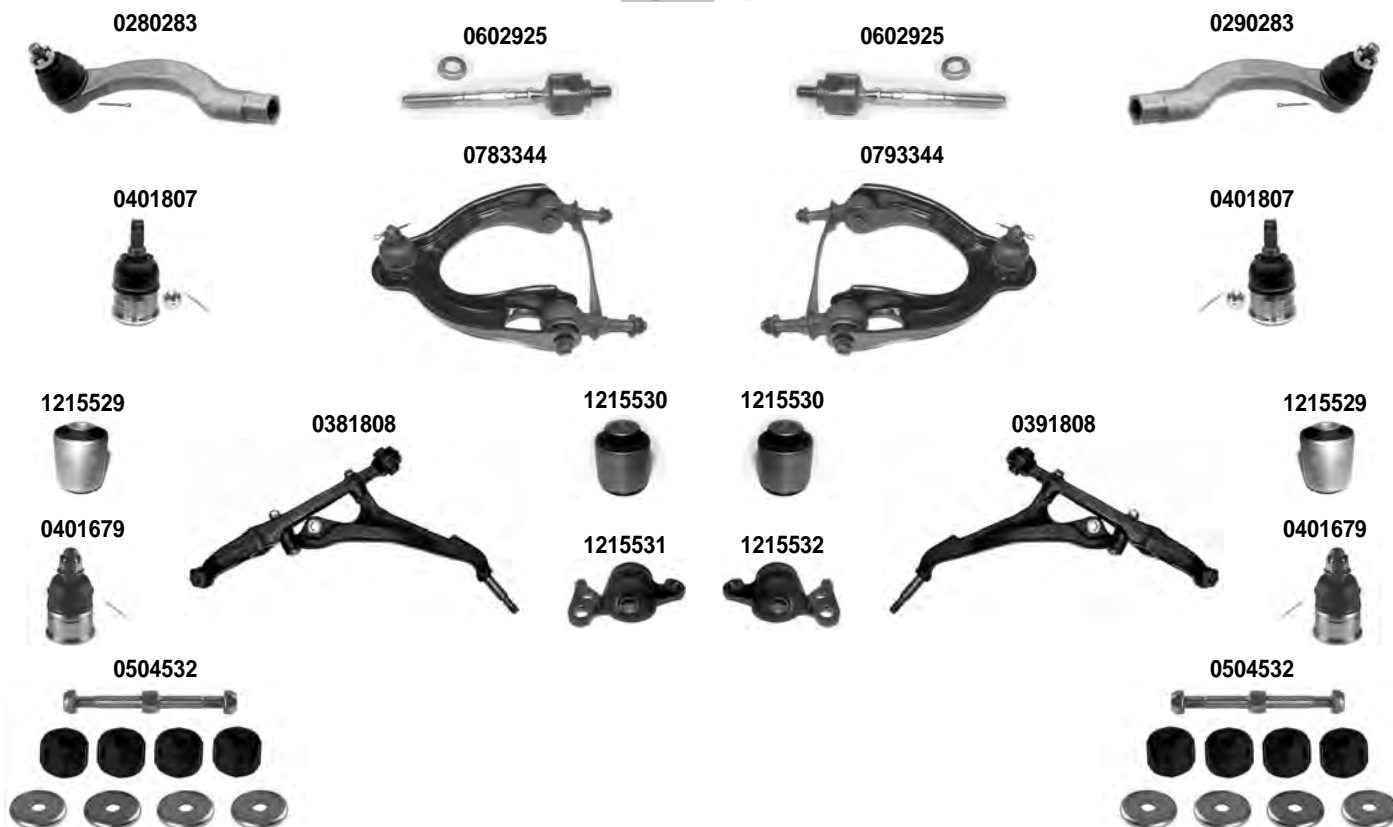
 EG4-EG6-EG8-EG9-EH
EG2-EH6

 1991 > 1995
1991 > 1998

Asse Anteriore



Front Axle



OCAP	O.E.			
0280283	53540-SH3-013	TESTA STERZO TIE ROD END		RHT M14x1,5
0290283	53560-SH3-013	TESTA STERZO TIE ROD END		RHT M14x1,5
0381808	51350-SR3-020	BRACCIO OSCILLANTE - INFERIORE TRACK CONTROL ARM - LOWER		
0391808	51360-SR3-020	BRACCIO OSCILLANTE - INFERIORE TRACK CONTROL ARM - LOWER		
0401679	51220-S04-003	SNODO SOSPENSIONE - INFERIORE BALL JOINT - LOWER		
0401807	51450-SR3-013 *	SNODO SOSPENSIONE - SUPERIORE BALL JOINT -UPPER		
0504532	90112-SE0-000	STABILIZZATORE STABILIZER LINK		
0602925	53010-SR3-010	SNODO ASSIALE AXIAL JOINT		RHT M14x1,5
0783344	51450-SR3-013	BRACCIO OSCILLANTE - SUPERIORE TRACK CONTROL ARM - UPPER		
0793344	51460-SR3-013	BRACCIO OSCILLANTE - SUPERIORE TRACK CONTROL ARM - UPPER		
1215529	RBX100680	SILENTBLOCK LATO SNODO BUSHING - BALL JOINT SIDE		
1215530	RBX100670	SILENTBLOCK CENTRALE CENTRAL BUSHING		
1215531	RBX100580	SILENTBLOCK ESTREMO OUTER BUSHING		
1215532	RBX100590	SILENTBLOCK ESTREMO OUTER BUSHING		

DESTRO
RIGHT



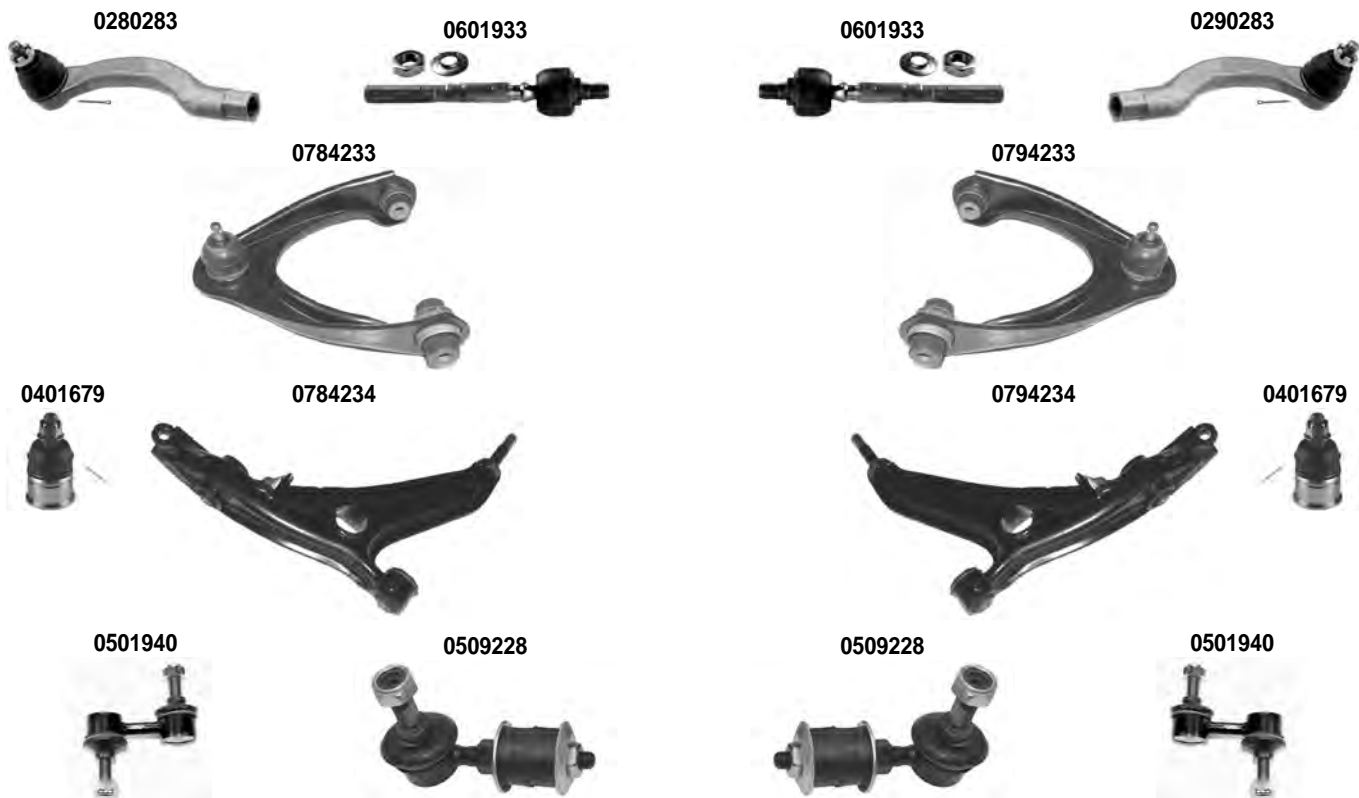
SINISTRO
LEFT

CIVIC VI	EJ-EK-EM1-MA-MB-MC	1996 > 2001
----------	--------------------	-------------

Asse Anteriore



Front Axle



i 1) SOLO PER - ONLY FOR: EJ-EK-EM1	2) SOLO PER - ONLY FOR: MA-MB-MC
--	---

OCAP	O.E.		i	
0280283	53540-SH3-013	TESTA STERZO TIE ROD END		RHT M14x1,5
0290283	53560-SH3-013	TESTA STERZO TIE ROD END		RHT M14x1,5
0401679	51220-S04-003	SNODO SOSPENSIONE - INFERIORE BALL JOINT - LOWER		
0501940	51320-S04-003	STABILIZZATORE STABILIZER LINK	1)	
0509228	51320-ST7-003	STABILIZZATORE STABILIZER LINK	2)	
0601933	53010-S04-000	SNODO ASSIALE AXIAL JOINT		RHT M14x1,5
0784233	51450-S04-003	BRACCIO OSCILLANTE - SUPERIORE TRACK CONTROL ARM - UPPER		
0784234	51350-S04-G00	BRACCIO OSCILLANTE - INFERIORE TRACK CONTROL ARM - LOWER		
0794233	51460-S04-003	BRACCIO OSCILLANTE - SUPERIORE TRACK CONTROL ARM - UPPER		
0794234	51360-S04-G00	BRACCIO OSCILLANTE - INFERIORE TRACK CONTROL ARM - LOWER		

DESTRO
RIGHT

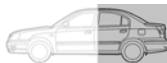
 SINISTRO
LEFT

CIVIC VI

EJ-EK-EM1-MA-MB-MC

1996 > 2001

Asse Posteriore






Rear Axle

0584246

0783285

0793285

0594246


OCAP	O.E.			
0584246	52320-S04-003	STABILIZZATORE STABILIZER LINK		
0594246	52321-S04-003	STABILIZZATORE STABILIZER LINK		
0783285	52390-SR3-000	BRACCIO SOSPENSIONE SUSPENSION ARM		
0793285	52400-SR3-000	BRACCIO SOSPENSIONE SUSPENSION ARM		

DESTRO
RIGHT



SINISTRO
LEFT

CIVIC VII	EU-EP-EV-ES-EM2	2001 > 2005
-----------	-----------------	-------------

Asse Anteriore



Front Axle



Asse Posteriore



Rear Axle



i 1) SOLO PER - ONLY FOR: MOD. 2.0	2) ECCEPPO - EXCEPT: MOD. 2.0
---	-------------------------------

OCAP	O.E.		i	
0284294	53541-S5A-003	TESTA STERZO TIE ROD END		RHT M14x1,5
0404291	51220-S5A-003	SNODO SOSPENSIONE - INFERIORE BALL JOINT - LOWER		
0584295	52320-S5T-J01	STABILIZZATORE STABILIZER LINK	1)	
0584296	51320-S5A-003	STABILIZZATORE STABILIZER LINK		
0584297	52320-S5A-013	STABILIZZATORE STABILIZER LINK	2)	
0594295	52321-S5T-J01	STABILIZZATORE STABILIZER LINK	1)	
0594296	51321-S5A-003	STABILIZZATORE STABILIZER LINK		
0594297	52321-S5A-013	STABILIZZATORE STABILIZER LINK	2)	
0604295	53541-S5A-000	SNODO ASSIALE AXIAL JOINT		RHT M14x1,5
0784291	51350-S5A-E50	BRACCIO OSCILLANTE - INFERIORE TRACK CONTROL ARM - LOWER	2)	
0794291	51360-S5A-E50	BRACCIO OSCILLANTE - INFERIORE TRACK CONTROL ARM - LOWER	2)	

DESTRO
RIGHT

 SINISTRO
LEFT

CIVIC VIII

FA-FD-FK-FN

01/2006 > 2011

Asse Anteriore



Front Axle



i 1) SOLO PER MOD. 2 VOLUMI - ONLY FOR: MOD. HATCHBACK	2) SOLO PER MOD. 3 VOLUMI - ONLY FOR: MOD. SALOON
---	---

OCAP	O.E.		i	
0283286	53540-SMG-003	TESTA STERZO TIE ROD END	1)	RHT M14x1,5
0283288	53540-SNA-A01	TESTA STERZO TIE ROD END	2)	RHT M14x1,5
0293286	53560-SMG-003	TESTA STERZO TIE ROD END	1)	RHT M14x1,5
0293288	53560-SNA-A01	TESTA STERZO TIE ROD END	2)	RHT M14x1,5
0383289	51350-SMG-E05	BRACCIO OSCILLANTE - INFERIORE - ALLUMINIO TRACK CONTROL ARM - LOWER - ALUMINIUM	1)	
0393289	51360-SMG-E05	BRACCIO OSCILLANTE - INFERIORE - ALLUMINIO TRACK CONTROL ARM - LOWER - ALUMINIUM	1)	
0603286	53610-SNR-A01	SNODO ASSIALE AXIAL JOINT	2)	RHT M14x1,5
0603287	53010-SNA-A01	SNODO ASSIALE AXIAL JOINT	1)	RHT M14x1,5
0683288	53011-SMG-E01	SNODO ASSIALE AXIAL JOINT	1)	RHT M14x1,5
0693288	53010-SMG-E01	SNODO ASSIALE AXIAL JOINT	1)	RHT M14x1,5

DESTRO
RIGHT



SINISTRO
LEFT

CIVIC VIII

FA-FD-FK-FN

01/2006 > 2011

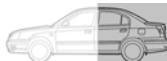
Asse Anteriore



Front Axle



Asse Posteriore



Rear Axle



i 2) SOLO PER: MOD. 3 VOLUMI - ONLY FOR: MOD. SALOON

OCAP	O.E.		i	
0483287	51220-SNA-A02	SNODO SOSPENSIONE - INFERIORE BALL JOINT - LOWER	2)	
0493287	51230-SNA-A02	SNODO SOSPENSIONE - INFERIORE BALL JOINT - LOWER	2)	
0503290	51320-SMG-E01	STABILIZZATORE STABILIZER LINK		
0583291	52320-SNA-A01	STABILIZZATORE STABILIZER LINK		
0593291	52321-SNA-A01	STABILIZZATORE STABILIZER LINK		
0783287	51350-SNA-A03	BRACCIO OSCILLANTE - INFERIORE TRACK CONTROL ARM - LOWER	2)	
0793287	51360-SNA-A03	BRACCIO OSCILLANTE - INFERIORE TRACK CONTROL ARM - LOWER	2)	

DESTRO
RIGHT



SINISTRO
LEFT

CONCERTO

1990 > 1995

Asse Anteriore



Front Axle

0282534



0282534



0382535



0392535



0503070



0503070



OCAP	O.E.			
0282534	53540-SK3-E01	TESTA STERZO TIE ROD END		RHT M14x1,5
0382535	51355-SK3-000	BRACCIO OSCILLANTE - INFERIORE TRACK CONTROL ARM - LOWER		
0392535	51365-SK3-000	BRACCIO OSCILLANTE - INFERIORE TRACK CONTROL ARM - LOWER		
0503070	51320-SK3-000	STABILIZZATORE STABILIZER LINK		

DESTRO
RIGHT



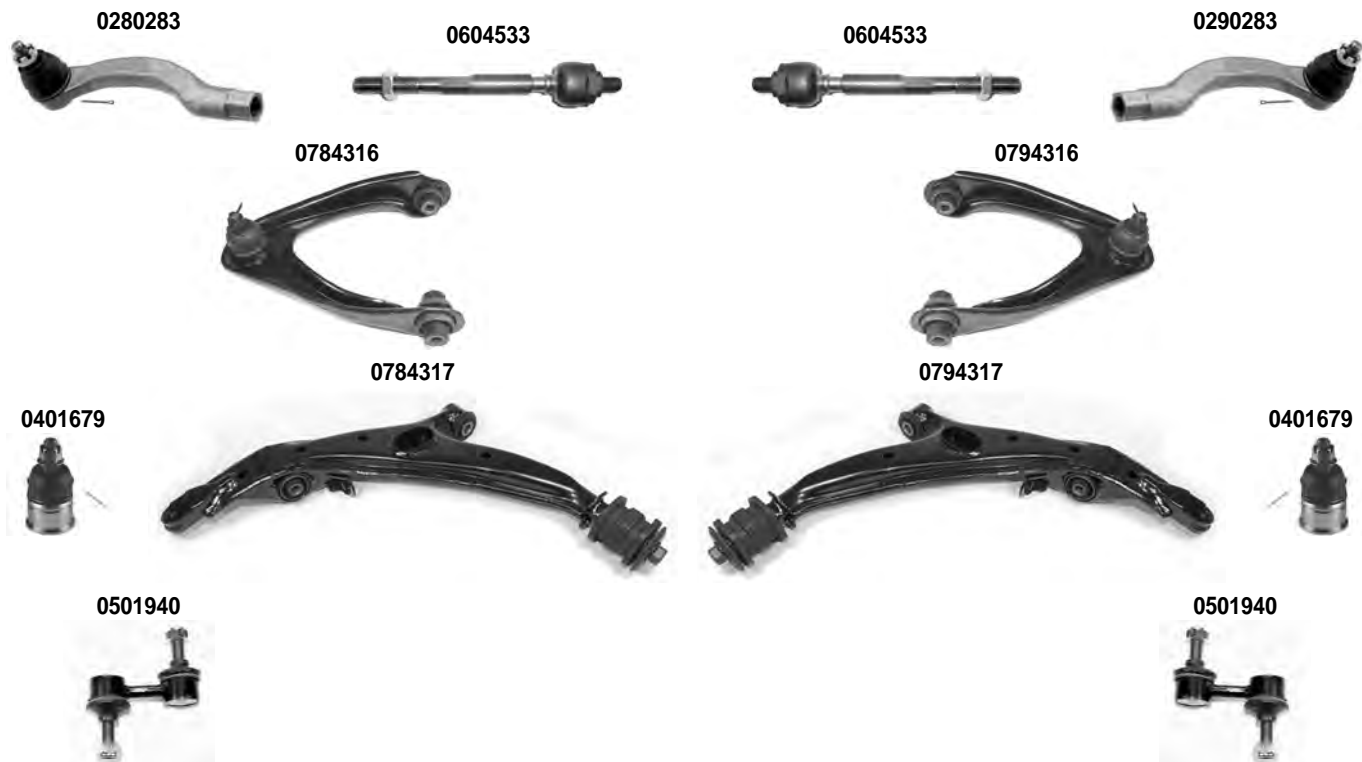
SINISTRO
LEFT

CR-V I	RD	1995 > 2001
--------	----	-------------

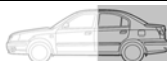
Asse Anteriore



Front Axle



Asse Posteriore



Rear Axle



OCAP	O.E.			
0280283	53540-SH3-013	TESTA STERZO TIE ROD END		RHT M14x1,5
0290283	53560-SH3-013	TESTA STERZO TIE ROD END		RHT M14x1,5
0401679	51220-S04-003	SNODO SOSPENSIONE - INFERIORE BALL JOINT - LOWER		
0501940	51320-S04-003	STABILIZZATORE STABILIZER LINK		
0584268	52320-S10-003	STABILIZZATORE STABILIZER LINK		
0594268	52321-S10-003	STABILIZZATORE STABILIZER LINK		
0604533	53010-S10-000	SNODO ASSIALE AXIAL JOINT		RHT M14x1,5
0784316	51450-S10-020	BRACCIO OSCILLANTE - SUPERIORE TRACK CONTROL ARM - UPPER		
0784317	51350-S10-G00	BRACCIO OSCILLANTE - INFERIORE TRACK CONTROL ARM - LOWER		
0794316	51460-S10-020	BRACCIO OSCILLANTE - SUPERIORE TRACK CONTROL ARM - UPPER		
0794317	51360-S10-G00	BRACCIO OSCILLANTE - INFERIORE TRACK CONTROL ARM - LOWER		

DESTRO
RIGHT

 SINISTRO
LEFT

CR-V II

RD

2002 > 09/2006

Asse Anteriore



Front Axle

0284294

0604361

0604361

0284294

0782476

0792476

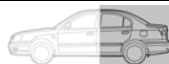
0402765

0402765

0584296

0594296


Asse Posteriore



Rear Axle

0584362

0594362


OCAP	O.E.		i	
0284294	53541-S5A-003	TESTA STERZO TIE ROD END		RHT M14x1,5
0402765	51220-S9A-982	SNODO SOSPENSIONE - INFERIORE BALL JOINT - LOWER		
0584296	51320-S5A-003	STABILIZZATORE STABILIZER LINK		
0584362	52320-S9A-003	STABILIZZATORE STABILIZER LINK		
0594296	51321-S5A-003	STABILIZZATORE STABILIZER LINK		
0594362	52321-S9A-003	STABILIZZATORE STABILIZER LINK		
0604361	53521-S9A-003	SNODO ASSIALE AXIAL JOINT		RHT M14x1,5
0782476	51350-S9A-010	BRACCIO OSCILLANTE - INFERIORE TRACK CONTROL ARM - LOWER		
0792476	51360-S9A-010	BRACCIO OSCILLANTE - INFERIORE TRACK CONTROL ARM - LOWER		

DESTRO
RIGHT



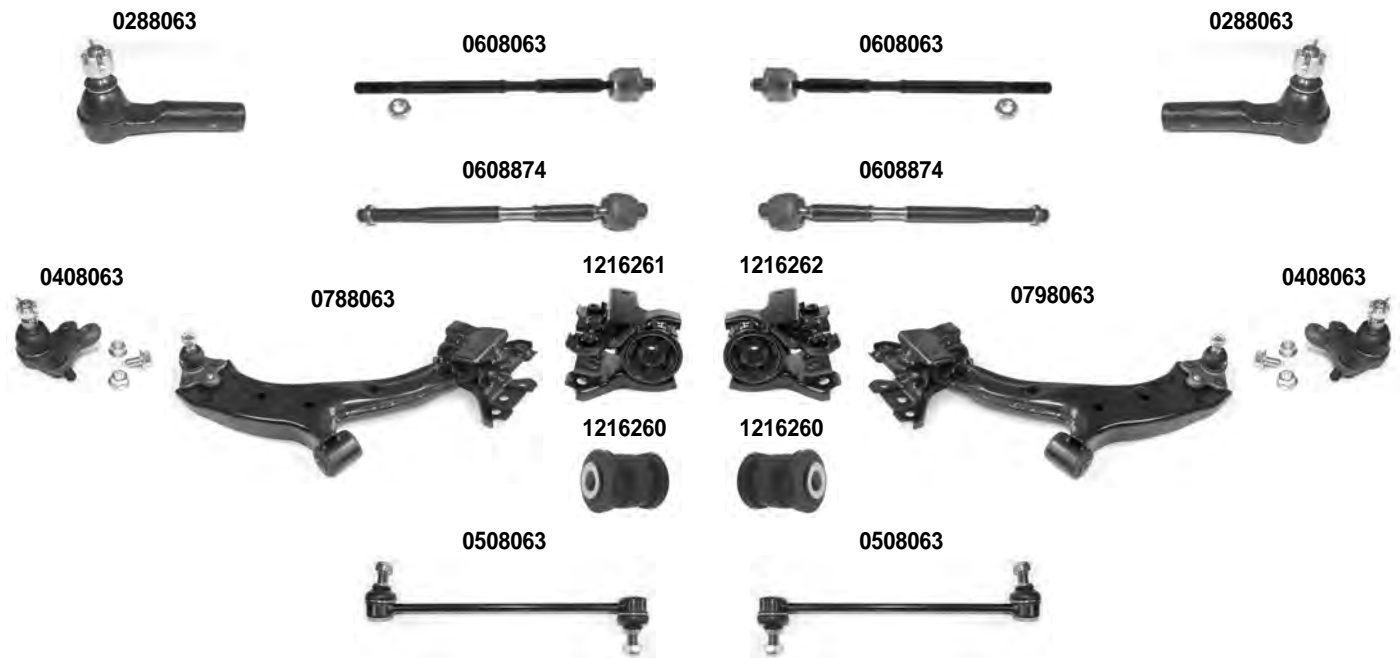
SINISTRO
LEFT

CR-V III	RE	09/2006 > 09/2012
----------	----	-------------------

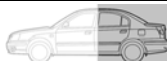
Asse Anteriore



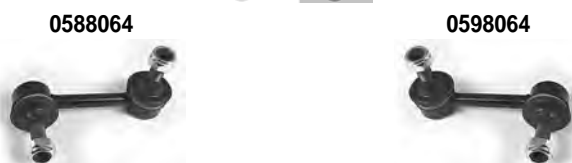
Front Axle



Asse Posteriore



Rear Axle



i 1) SOLO PER - ONLY FOR: CTDI

OCAP	O.E.		i	
0288063	53540-SWA-A01	TESTA STERZO TIE ROD END		RHT M14x1,5
0408063	51220-STK-A01	SNODO SOSPENSIONE - INFERIORE BALL JOINT - LOWER		
0508063	51320-STK-A01	STABILIZZATORE STABILIZER LINK		
0588064	52320-SWA-A01	STABILIZZATORE STABILIZER LINK		
0598064	52321-SWA-A01	STABILIZZATORE STABILIZER LINK		
0608063	53010-SWA-A01	SNODO ASSIALE AXIAL JOINT	1)	RHT M14x1,5
0608874	53010-SWC-G01	SNODO ASSIALE AXIAL JOINT		RHT M14x1,5
0788063	51350-SWA-E01	BRACCIO OSCILLANTE - INFERIORE TRACK CONTROL ARM - LOWER		
0798063	51360-SWA-E01	BRACCIO OSCILLANTE - INFERIORE TRACK CONTROL ARM - LOWER		
1216260	51350-SWA-E01 *	SILENTBLOCK CENTRALE CENTRAL BUSHING		
1216261	51395-SWA-E01	SILENTBLOCK ESTREMO OUTER BUSHING		
1216262	51396-SWA-E01	SILENTBLOCK ESTREMO OUTER BUSHING		

DESTRO
RIGHT

 SINISTRO
LEFT

CR-V IV

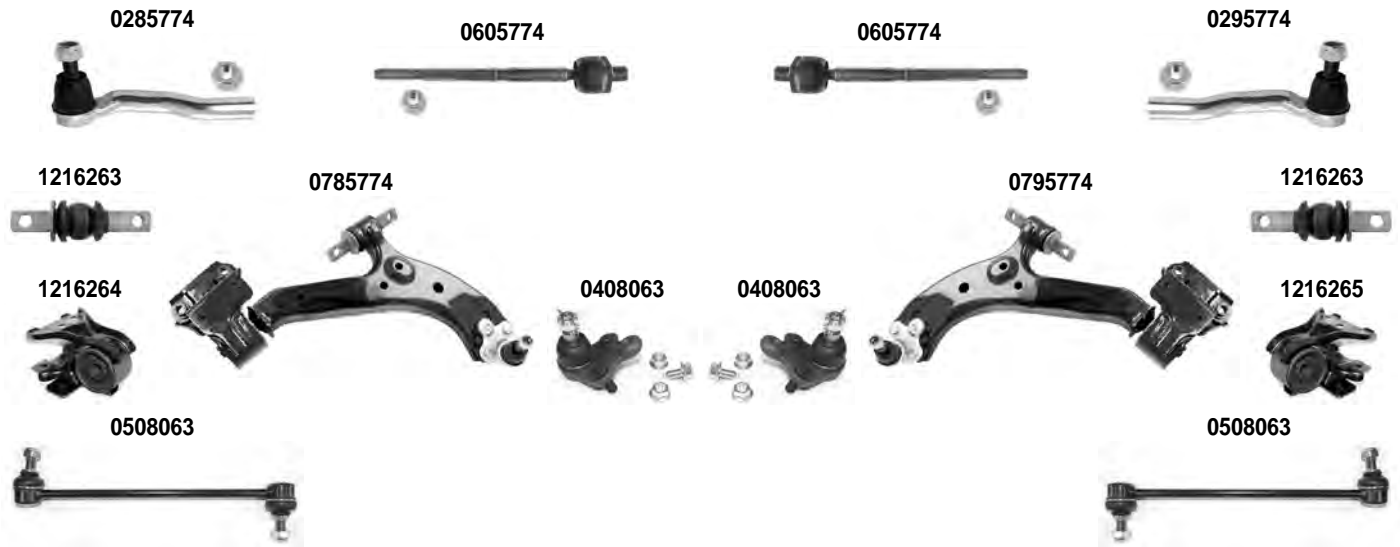
RE

10/2012 >

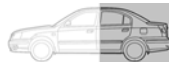
Asse Anteriore



Front Axle



Asse Posteriore



Rear Axle



OCAP	O.E.			
0285774	53540-T1G-E01	TESTA STERZO TIE ROD END		RHT M14x1,5
0295774	53560-T1G-E01	TESTA STERZO TIE ROD END		RHT M14x1,5
0408063	51220-STK-A01	SNODO SOSPENSIONE - INFERIORE BALL JOINT - LOWER		
0508063	51320-STK-A01	STABILIZZATORE STABILIZER LINK		
0588064	52320-SWA-A01	STABILIZZATORE STABILIZER LINK		
0598064	52321-SWA-A01	STABILIZZATORE STABILIZER LINK		
0605774	53010-T0A-A01	SNODO ASSIALE AXIAL JOINT		RHT M14x1,5
0785774	51350-T1G-E01	BRACCIO OSCILLANTE - INFERIORE TRACK CONTROL ARM - LOWER		
0795774	51360-T1G-E01	BRACCIO OSCILLANTE - INFERIORE TRACK CONTROL ARM - LOWER		
1216263	51350-T1G-E01 *	SILENTBLOCK CENTRALE CENTRAL BUSHING		
1216264	51395-T0A-E01	SILENTBLOCK ESTREMO OUTER BUSHING		
1216265	51396-T0A-E01	SILENTBLOCK ESTREMO OUTER BUSHING		

DESTRO
RIGHT



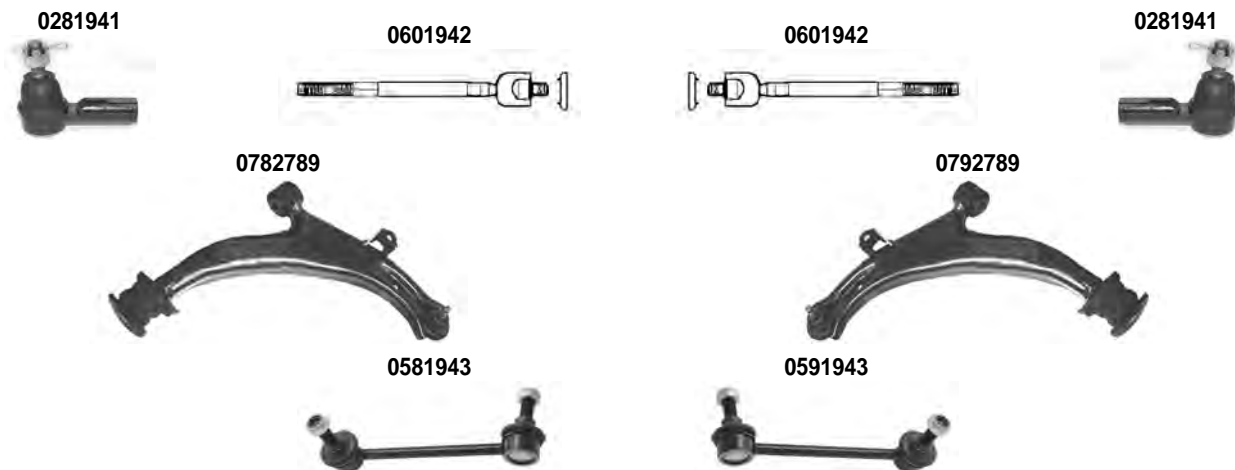
SINISTRO
LEFT

HR-V	GH	1999 >
------	----	--------

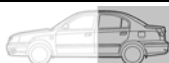
Asse Anteriore



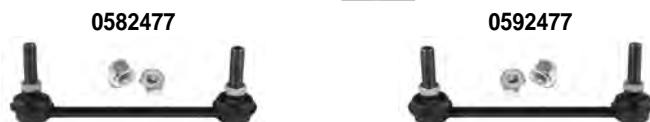
Front Axle



Asse Posteriore



Rear Axle



OCAP	O.E.			
0281941	53540-SX8-T01	TESTA STERZO TIE ROD END		RHT M12x1,25
0581943	51320-S2H-003	STABILIZZATORE STABILIZER LINK		
0582477	52320-S2H-003	STABILIZZATORE STABILIZER LINK		
0591943	51321-S2H-003	STABILIZZATORE STABILIZER LINK		
0592477	52321-S2H-003	STABILIZZATORE STABILIZER LINK		
0601942	53010-S2H-J02	SNODO ASSIALE AXIAL JOINT		RHT M12x1,25
0782789	51350-S2H-G02	BRACCIO OSCILLANTE - INFERIORE TRACK CONTROL ARM - LOWER		
0792789	51360-S2H-G02	BRACCIO OSCILLANTE - INFERIORE TRACK CONTROL ARM - LOWER		

DESTRO
RIGHT

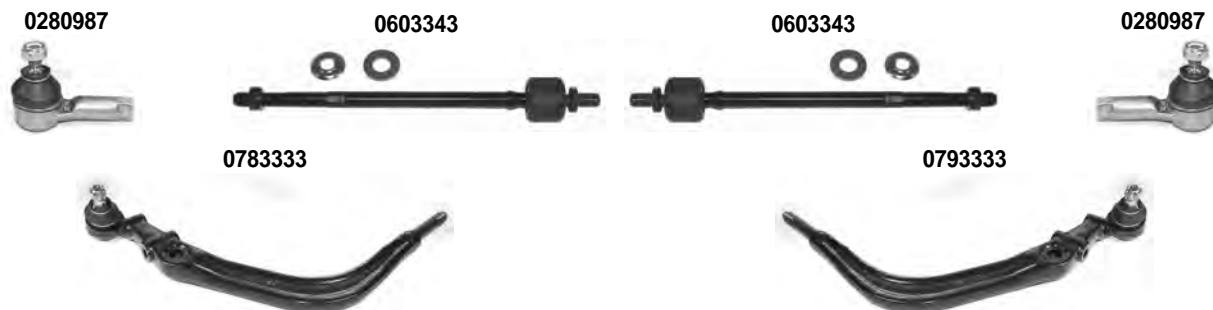
 SINISTRO
LEFT

JAZZ I	AA	1983 > 1986
--------	----	-------------

Asse Anteriore



Front Axle



OCAP	O.E.		
0280987	53540-679-004	TESTA STERZO TIE ROD END	RHT M12x1,5
0603343	53521-SB2-013	SNODO ASSIALE AXIAL JOINT	RHT M12x1,5
0783333	51351-SD2-003	BRACCIO OSCILLANTE - INFERIORE TRACK CONTROL ARM - LOWER	
0793333	51361-SD2-003	BRACCIO OSCILLANTE - INFERIORE TRACK CONTROL ARM - LOWER	

DESTRO
RIGHT

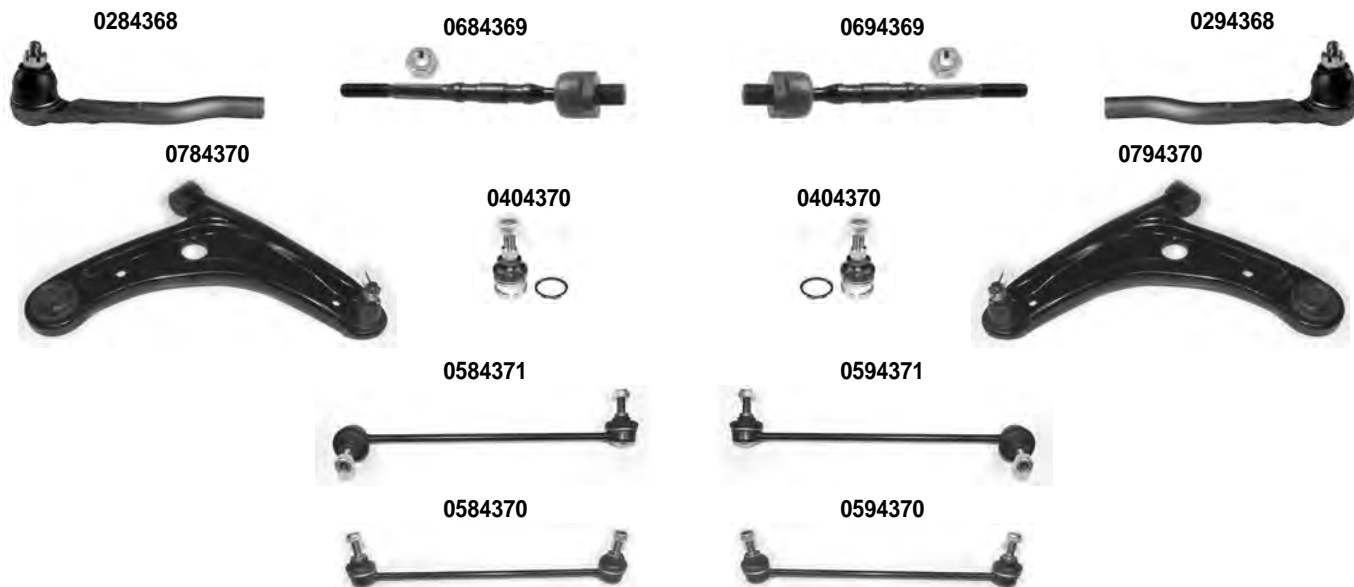


SINISTRO
LEFT

JAZZ II	GD	2002 > 2008
---------	----	-------------

Asse Anteriore

Front Axle



i 1) > 12/2003	2) 01/2004 >
-----------------------	--------------

OCAP	O.E.		i	
0284368	53540-SAA-003	TESTA STERZO TIE ROD END		RHT M12x1,25
0294368	53560-SAA-003	TESTA STERZO TIE ROD END		RHT M12x1,25
0404370	51220-SAA-013	SNODO SOSPENSIONE - INFERIORE SUSPENSION JOINT - LOWER		
0584370	51320-SAA-J01	STABILIZZATORE STABILIZER LINK	2)	
0584371	51320-SAA-003	STABILIZZATORE STABILIZER LINK	1)	
0594370	51321-SAA-J01	STABILIZZATORE STABILIZER LINK	2)	
0594371	51321-SAA-003	STABILIZZATORE STABILIZER LINK	1)	
0684369	53010-SAA-J01	SNODO ASSIALE AXIAL JOINT		RHT M12x1,25
0694369	53011-SAA-J01	SNODO ASSIALE AXIAL JOINT		RHT M12x1,25
0784370	51350-SAA-E01	BRACCIO OSCILLANTE - INFERIORE TRACK CONTROL ARM - LOWER		
0794370	51360-SAA-E01	BRACCIO OSCILLANTE - INFERIORE TRACK CONTROL ARM - LOWER		

DESTRO
RIGHT

 SINISTRO
LEFT

JAZZ III

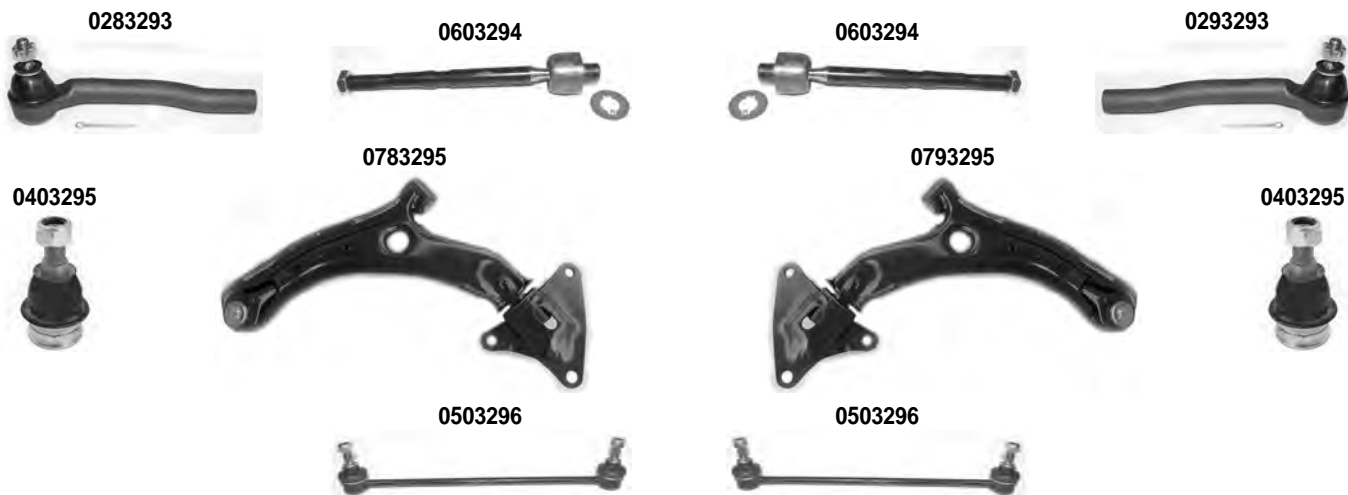
GE




07/2008 >

Asse Anteriore



Front Axle



OCAP	O.E.			
0283293	53540-TF0-003	TESTA STERZO TIE ROD END		RHT M14x1,5
0293293	53560-TF0-003	TESTA STERZO TIE ROD END		RHT M14x1,5
0403295	51350-TF0-030 *	SNODO SOSPENSIONE - INFERIORE BALL JOINT - LOWER		
0503296	51320-TF0-003	STABILIZZATORE STABILIZER LINK		
0603294	53010-TF0-003	SNODO ASSIALE AXIAL JOINT		RHT M14x1,5
0783295	51350-TF0-030	BRACCIO OSCILLANTE - INFERIORE TRACK CONTROL ARM LOWER		
0793295	51360-TF0-030	BRACCIO OSCILLANTE - INFERIORE TRACK CONTROL ARM LOWER		

DESTRO
RIGHT



SINISTRO
LEFT

LEGEND - ACURA - REGEND	KA1-KA2-KA3-KA4	1986 > 1990
--------------------------------	-----------------	-------------

Asse Anteriore



Front Axle

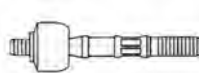
0283352



0600387



0600387



0293352



0402538



0402538



OCAP	O.E.		
0283352	53540-SD4-003	TESTA STERZO TIE ROD END	RHT M12x1,25
0293352	53560-SD4-003	TESTA STERZO TIE ROD END	RHT M12x1,25
0402538	51220-SD4-004	SNODO SOSPENSIONE - INFERIORE BALL JOINT - LOWER	
0600387	53521-SD4-003	SNODO ASSIALE AXIAL JOINT	RHT M12x1,25

DESTRO
RIGHT

 SINISTRO
LEFT

LEGEND II
LEGEND II COUPE'

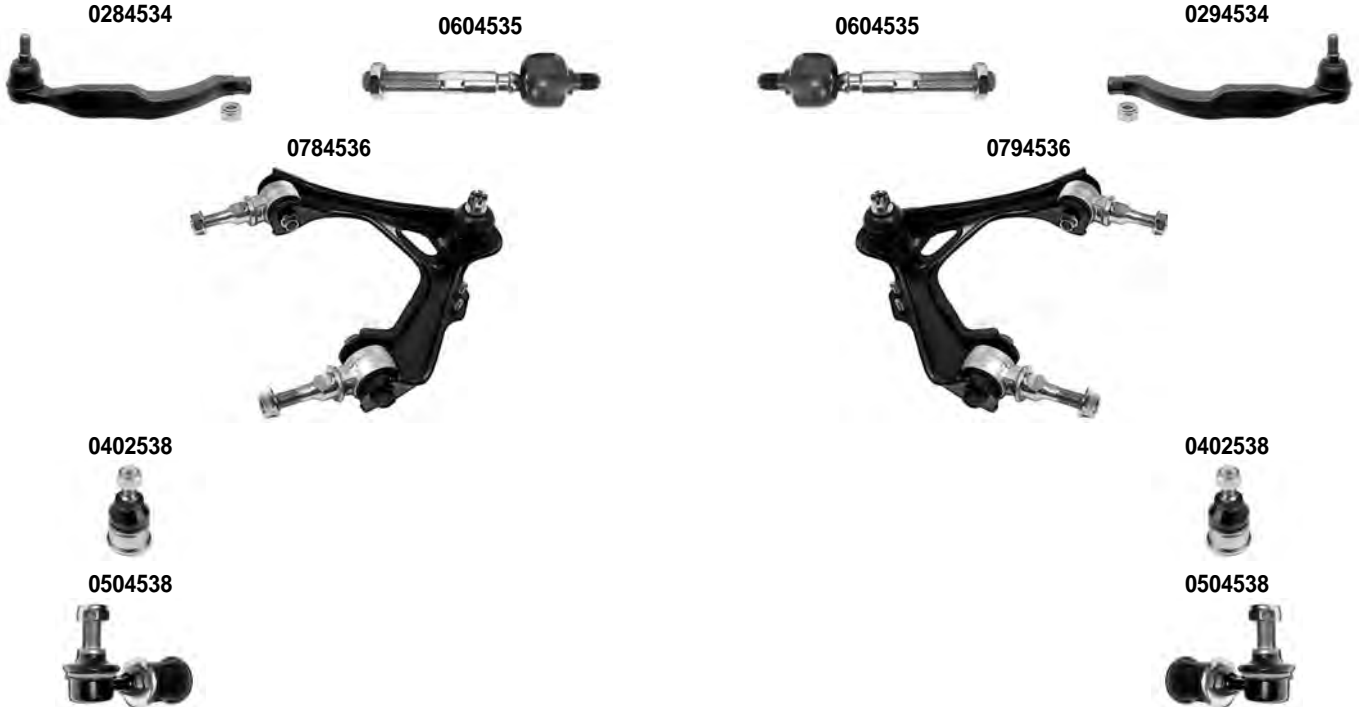
 KA7
KA8

 1990 > 1996
1991 > 1996

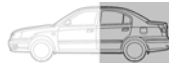
Asse Anteriore



Front Axle



Asse Posteriore



Rear Axle



OCAP	O.E.		i	
0284534	53540-SP0-013	TESTA STERZO TIE ROD END		RHT M14x1,5
0294534	53560-SP0-013	TESTA STERZO TIE ROD END		RHT M14x1,5
0384537	52390-SP0-013	BRACCIO OSCILLANTE TRACK CONTROL ARM		
0394537	52400-SP0-013	BRACCIO OSCILLANTE TRACK CONTROL ARM		
0402538	51220-SD4-004	SNODO SOSPENSIONE - INFERIORE BALL JOINT - LOWER		
0504538	51320-SP0-003	STABILIZZATORE STABILIZER LINK		
0604535	53521-SP0-004	SNODO ASSIALE AXIAL JOINT		RHT M14x1,5
0784536	51450-SP0-033	BRACCIO OSCILLANTE - SUPERIORE TRACK CONTROL ARM - UPPER		
0794536	51460-SP0-033	BRACCIO OSCILLANTE - SUPERIORE TRACK CONTROL ARM - UPPER		

DESTRO
RIGHT



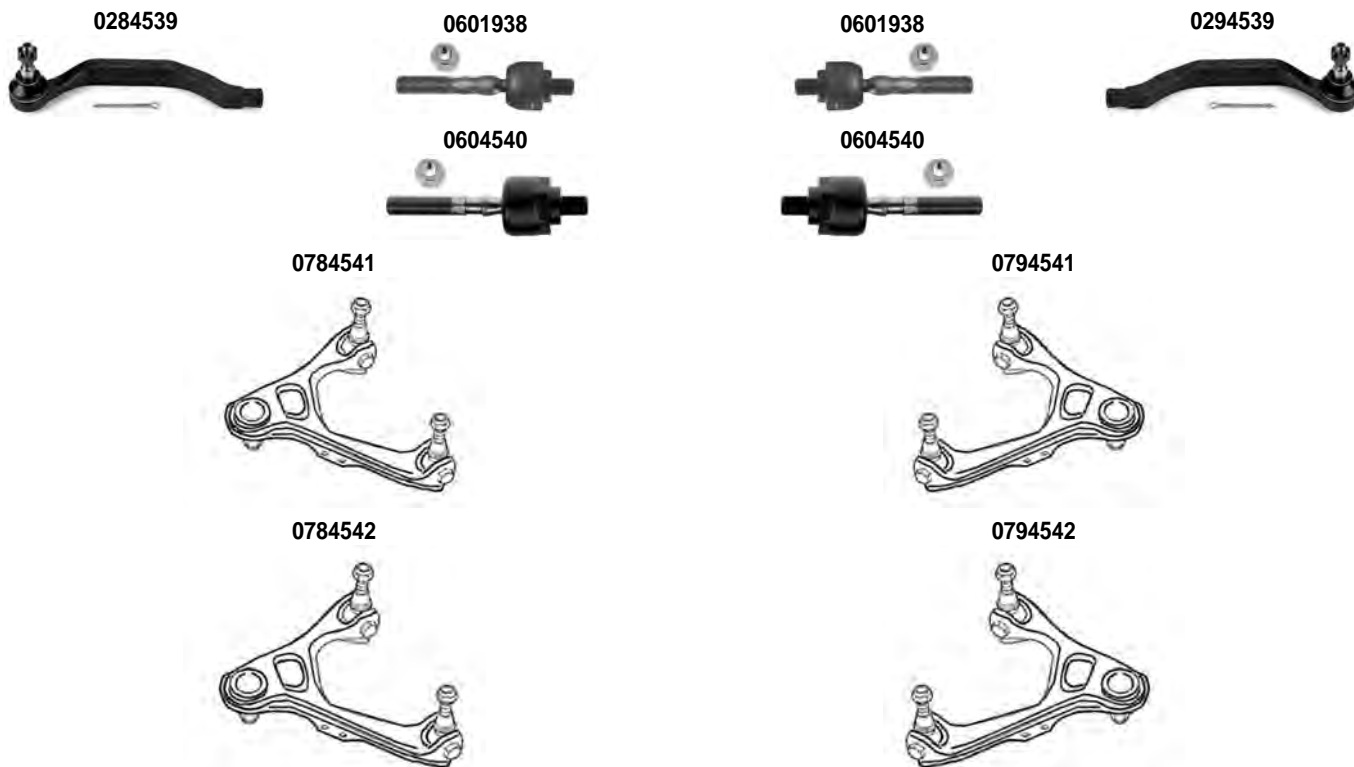
SINISTRO
LEFT

LEGEND III	KA9	1996 >
-------------------	-----	--------

Asse Anteriore



Front Axle



i 1) > CH. WC002641 3) > 1999	2) CH. WC002642 > 4) 1999 >
---	--------------------------------

OCAP	O.E.		i	
0284539	53540-SZ3-003	TESTA STERZO TIE ROD END		RHT M14x1,5
0294539	53560-SZ3-003	TESTA STERZO TIE ROD END		RHT M14x1,5
0601938	53010-SW5-000	SNODO ASSIALE AXIAL JOINT	1)	RHT M14x1,5
0604540	53010-SW5-003	SNODO ASSIALE AXIAL JOINT	2)	RHT M14x1,5
0784541	51450-SZ3-013	BRACCIO OSCILLANTE - SUPERIORE TRACK CONTROL ARM - UPPER	3)	
0784542	51450-SZ3-901	BRACCIO OSCILLANTE - SUPERIORE TRACK CONTROL ARM - UPPER	4)	
0794541	51460-SZ3-013	BRACCIO OSCILLANTE - SUPERIORE TRACK CONTROL ARM - UPPER	3)	
0794542	51460-SZ3-901	BRACCIO OSCILLANTE - SUPERIORE TRACK CONTROL ARM - UPPER	4)	

DESTRO
RIGHT



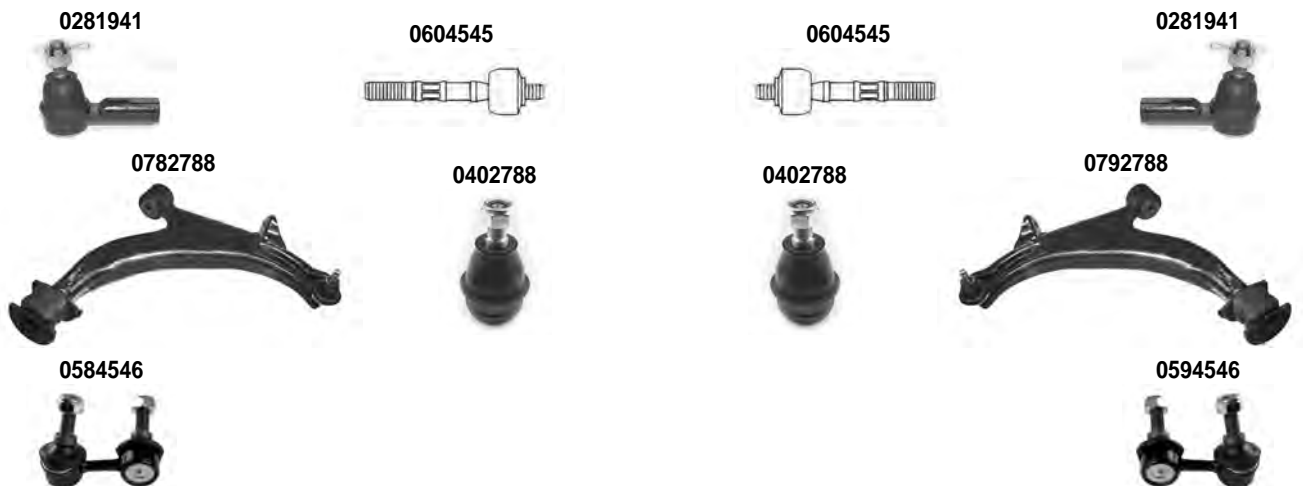
SINISTRO
LEFT

LOGO	GA3	1999 > 2002
------	-----	-------------

Asse Anteriore



Front Axle



OCAP	O.E.			
0281941	53540-SX8-T01	TESTA STERZO TIE ROD END		RHT M12x1,25
0402788	51350-S50-G01 *	SNODO SOSPENSIONE - INFERIORE BALL JOINT - LOWER		
0584546	51320-S2G-003	STABILIZZATORE STABILIZER LINK		
0594546	51321-S2G-003	STABILIZZATORE STABILIZER LINK		
0604545	53010-S50-003	SNODO ASSIALE AXIAL JOINT		RHT M12x1,25
0782788	51350-S50-G01	BRACCIO OSCILLANTE - INFERIORE TRACK CONTROL ARM - LOWER		
0792788	51360-S50-G01	BRACCIO OSCILLANTE - INFERIORE TRACK CONTROL ARM - LOWER		

DESTRO
RIGHT



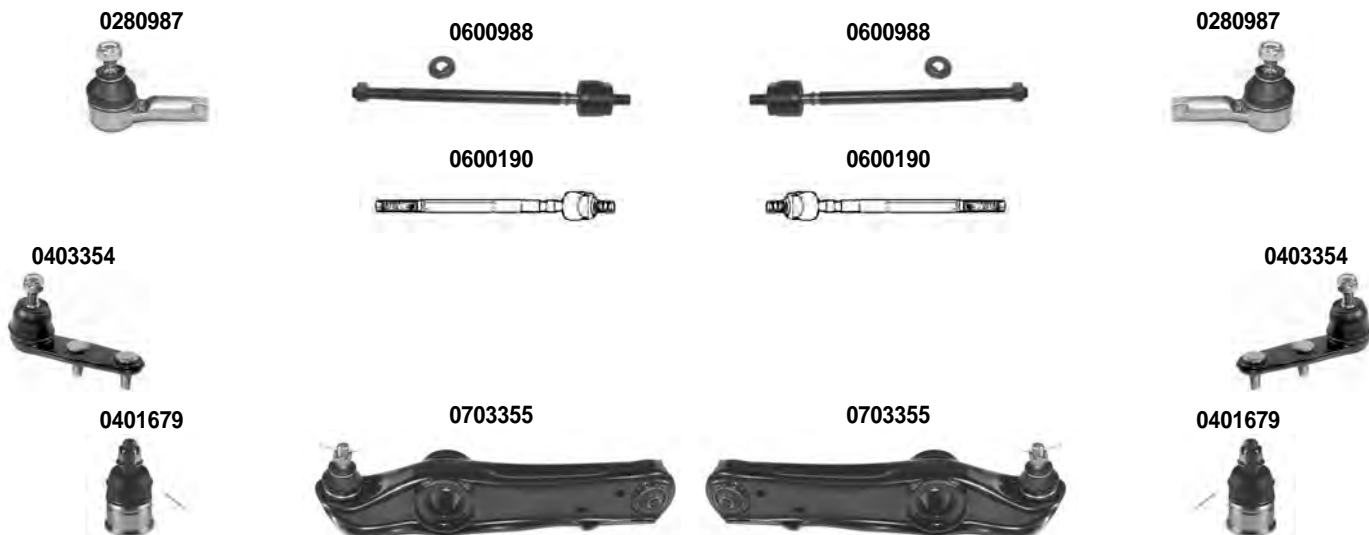
SINISTRO
LEFT

PRELUDE	SN-AB-BA	1978 > 1987
---------	----------	-------------

Asse Anteriore



Front Axle



i 1) > 1983	2) 1983 >
--------------------	-----------

OCAP	O.E.		i	
0280987	53540-SC2-004	TESTA STERZO TIE ROD END		RHT M12x1,5
0401679	51220-S04-003	SNODO SOSPENSIONE - INFERIORE BALL JOINT - LOWER		
0403354	51270-SB0-013	SNODO SOSPENSIONE - SUPERIORE BALL JOINT - UPPER	2)	
0600190	53521-SB0-000	SNODO ASSIALE AXIAL JOINT	2)	RHT M12x1,5
0600988	53521-SA0-003	SNODO ASSIALE AXIAL JOINT	1)	RHT M12x1,5
0703355	51350-692-000	BRACCIO OSCILLANTE - INFERIORE TRACK CONTROL ARM - LOWER	1)	

DESTRO
RIGHT



SINISTRO
LEFT

PRELUDE	BA4-BA5	1987 > 1992
----------------	---------	-------------

Asse Anteriore



Front Axle

0280191



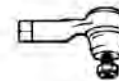
0600190



0600190



0280191



0400284



0400284





0401679



0401679



OCAP	O.E.		
0280191	53540-SF1-004	TESTA STERZO TIE ROD END	RHT M12x1,25
0400284	51270-SF1-003	SNODO SOSPENSIONE - SUPERIORE BALL JOINT - UPPER	
0401679	51220-S04-003	SNODO SOSPENSIONE - INFERIORE BALL JOINT - LOWER	
0600190	53521-SB0-000	SNODO ASSIALE AXIAL JOINT	RHT M12x1,25

DESTRO
RIGHT



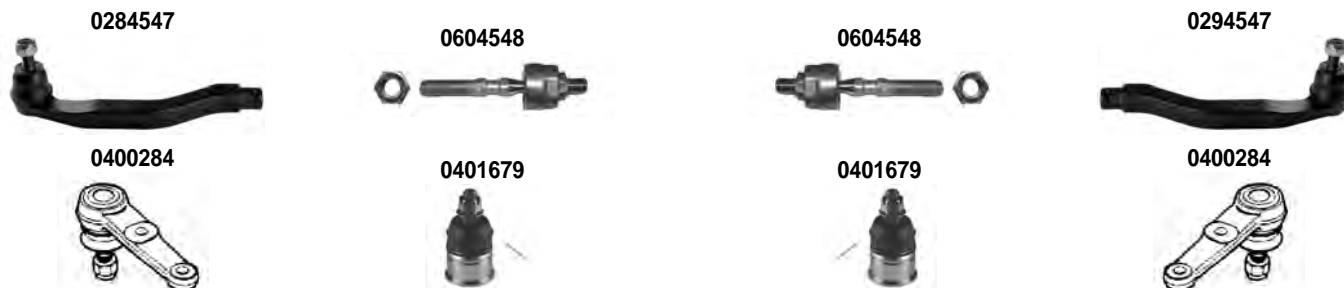
SINISTRO
LEFT

PRELUDE	BB1-BB2-BB3	1992 > 1997
---------	-------------	-------------

Asse Anteriore



Front Axle



OCAP	O.E.			
0284547	53540-SS0-003	TESTA STERZO TIE ROD END		RHT M14x1,5
0294547	53560-SS0-003	TESTA STERZO TIE ROD END		RHT M14x1,5
0400284	51270-SF1-003	SNODO SOSPENSIONE - SUPERIORE BALL JOINT - UPPER		
0401679	51220-S04-003	SNODO SOSPENSIONE - INFERIORE BALL JOINT - LOWER		
0604548	53010-SS0-000	SNODO ASSIALE AXIAL JOINT		RHT M14x1,5

DESTRO
RIGHT



SINISTRO
LEFT

PRELUDE

BB6-BB8-BB9

1996 > 2000

Asse Anteriore



Front Axle

0281937



0601938



0601938



0291937



0782766



0792766



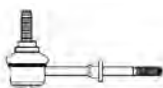
0404549



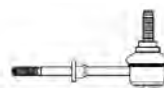
0404549



0501939



0501939



Asse Posteriore



Rear Axle

0501563



0501563



OCAP	O.E.			
0281937	53540-S30-005	TESTA STERZO TIE ROD END		RHT M14x1,5
0291937	53560-S30-005	TESTA STERZO TIE ROD END		RHT M14x1,5
0404549	51220-SL5-003	SNODO SOSPENSIONE - INFERIORE BALL JOINT - LOWER		
0501563	52320-S30-003	STABILIZZATORE STABILIZER LINK		
0501939	51320-S30-003	STABILIZZATORE STABILIZER LINK		
0601938	53010-SW5-000	SNODO ASSIALE AXIAL JOINT		RHT M14x1,5
0782766	51450-S30-003	BRACCIO OSCILLANTE - SUPERIORE TRACK CONTROL ARM - UPPER		
0792766	51460-S30-003	BRACCIO OSCILLANTE - SUPERIORE TRACK CONTROL ARM - UPPER		

DESTRO
RIGHT



SINISTRO
LEFT

QUINTET INTEGRA	SU DA	1980 > 1984 1985 > 1989
----------------------------	----------	----------------------------

Asse Anteriore



Front Axle

0280987



0600988



0600988



0280987



0603343



0603343



0703355



0703355



0783333



0793333



i 1) SOLO PER - ONLY FOR: MOD. QUINTET	2) SOLO PER - ONLY FOR: MOD. INTEGRA
---	---

OCAP	O.E.		i	
0280987	53540-SC2-004	TESTA STERZO TIE ROD END		RHT M12x1,25
0600988	53521-SA0-003	SNODO ASSIALE AXIAL JOINT	1)	RHT M12x1,25
0603343	53521-SB2-013	SNODO ASSIALE AXIAL JOINT	2)	RHT M12x1,25
0703355	51350-692-000	BRACCIO OSCILLANTE - INFERIORE TRACK CONTROL ARM - LOWER	1)	
0783333	51351-SB2-013	BRACCIO OSCILLANTE - INFERIORE TRACK CONTROL ARM - LOWER	2)	
0793333	51361-SB2-013	BRACCIO OSCILLANTE - INFERIORE TRACK CONTROL ARM - LOWER	2)	

DESTRO
RIGHT

 SINISTRO
LEFT

STREAM

RN

2001 >

Asse Anteriore



Front Axle

0282464

0602465

0602465

0282464

0782807

0792807

0584296

0594296


Asse Posteriore



Rear Axle

0582481

0592481


OCAP	O.E.		
0282464	53541-S7A-003	TESTA STERZO TIE ROD END	RHT M14x1,5
0582481	52320-S7A-003	STABILIZZATORE STABILIZER LINK	
0584296	51320-S5A-003	STABILIZZATORE STABILIZER LINK	
0592481	52321-S7A-003	STABILIZZATORE STABILIZER LINK	
0594296	51321-S5A-003	STABILIZZATORE STABILIZER LINK	
0602465	53521-S7A-003	SNODO ASSIALE AXIAL JOINT	RHT M14x1,5
0782807	51350-S7A-010	BRACCIO OSCILLANTE - INFERIORE TRACK CONTROL ARM - LOWER	
0792807	51360-S7A-010	BRACCIO OSCILLANTE - INFERIORE TRACK CONTROL ARM - LOWER	

DESTRO
RIGHT



SINISTRO
LEFT

S2000	AP	2001 >
-------	----	--------

Asse Anteriore



Front Axle

0282641



0602641



0602641



0282641



0382767



0392767



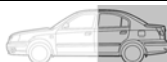
0582642



0592642



Asse Posteriore



Rear Axle

0502643



0502643



OCAP	O.E.		
0282641	53540-S47-951	TESTA STERZO TIE ROD END	RHT M16x1,5
0382767	51350-S2A-000	BRACCIO OSCILLANTE - INFERIORE TRACK CONTROL ARM - LOWER	
0392767	51360-S2A-000	BRACCIO OSCILLANTE - INFERIORE TRACK CONTROL ARM - LOWER	
0502643	52320-S2A-003	STABILIZZATORE STABILIZER LINK	
0582642	51320-S2A-003	STABILIZZATORE STABILIZER LINK	
0592642	51321-S2A-003	STABILIZZATORE STABILIZER LINK	
0602641	53010-S2A-003	SNODO ASSIALE AXIAL JOINT	RHT M16x1,5

DESTRO
RIGHT

 SINISTRO
LEFT

ACCENT

X-3

10/1994 > 01/2000

Asse Anteriore



Front Axle

0281290

0603365

0603365

0281290

0604518

0604518

0784467

0401288

0401288

0794467

0502778

0502778


Asse Posteriore



Rear Axle

0502778

0502778


1) STERZO MANUALE - MANUAL STEERING		2) SERVOSTERZO - POWER STEERING	
OCAP	O.E.		
0281290	56820-22000	TESTA STERZO TIE ROD END	RHT M14x1,5
0401288	54530-0U000	SNODO SOSPENSIONE - INFERIORE BALL JOINT - LOWER	
0502778	54825-22000	STABILIZZATORE STABILIZER LINK	
0603365	56540-24000	SNODO ASSIALE AXIAL JOINT	1) RHT M14x1,5
0604518	57755-22000	SNODO ASSIALE AXIAL JOINT	2) RHT M14x1,5
0784467	54501-22200	BRACCIO OSCILLANTE - INFERIORE TRACK CONTROL ARM - LOWER	
0794467	54500-22200	BRACCIO OSCILLANTE - INFERIORE TRACK CONTROL ARM - LOWER	

DESTRO
RIGHT



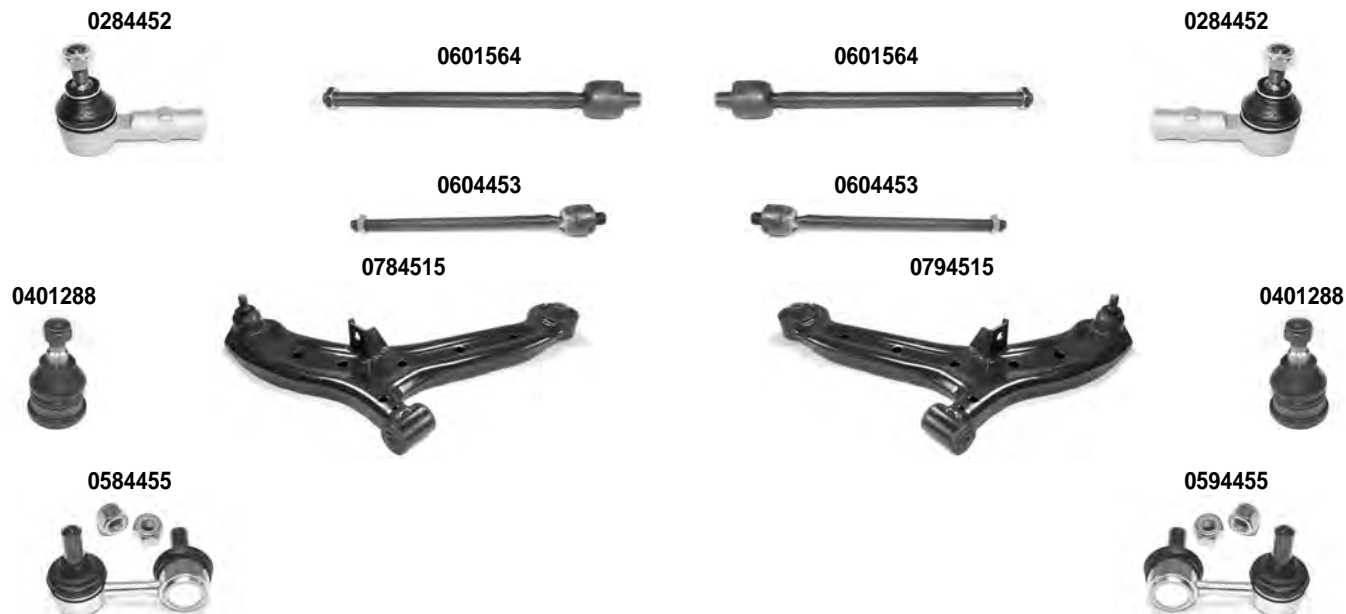
SINISTRO
LEFT

ACCENT	LC	01/2000 > 2005
--------	----	----------------

Asse Anteriore



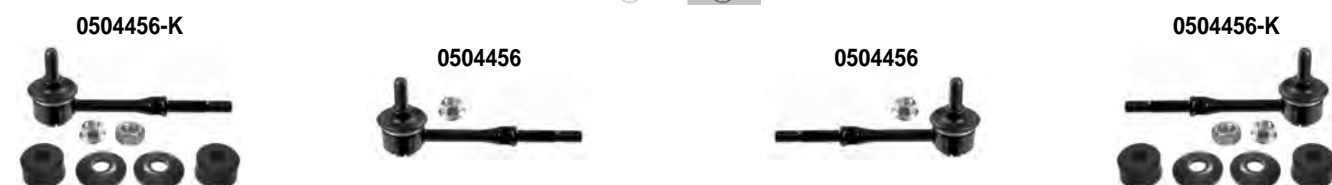
Front Axle



Asse Posteriore



Rear Axle



i 1) STERZO MANUALE - MANUAL STEERING	2) SERVOSTERZO - POWER STEERING
--	---------------------------------

OCAP	O.E.		i	
0284452	56820-25000	TESTA STERZO TIE ROD END		RHT M14x1,5
0401288	54530-0U000	SNODO SOSPENSIONE - INFERIORE BALL JOINT - LOWER		
0504456	54830-25000	STABILIZZATORE STABILIZER LINK		
0584455	54830-17020	STABILIZZATORE STABILIZER LINK		
0594455	54830-17010	STABILIZZATORE STABILIZER LINK		
0601564	56540-25000	SNODO ASSIALE AXIAL JOINT	1)	RHT M14x1,5
0604453	57775-25000	SNODO ASSIALE AXIAL JOINT	2)	RHT M14x1,5
0784515	54501-25000	BRACCIO OSCILLANTE - INFERIORE TRACK CONTROL ARM - LOWER		
0794515	54500-25000	BRACCIO OSCILLANTE - INFERIORE TRACK CONTROL ARM - LOWER		
0504456-K	54830-25000 *	KIT STABILIZZATORE STABILIZER LINK KIT		

DESTRO
RIGHT

 SINISTRO
LEFT

ACCENT

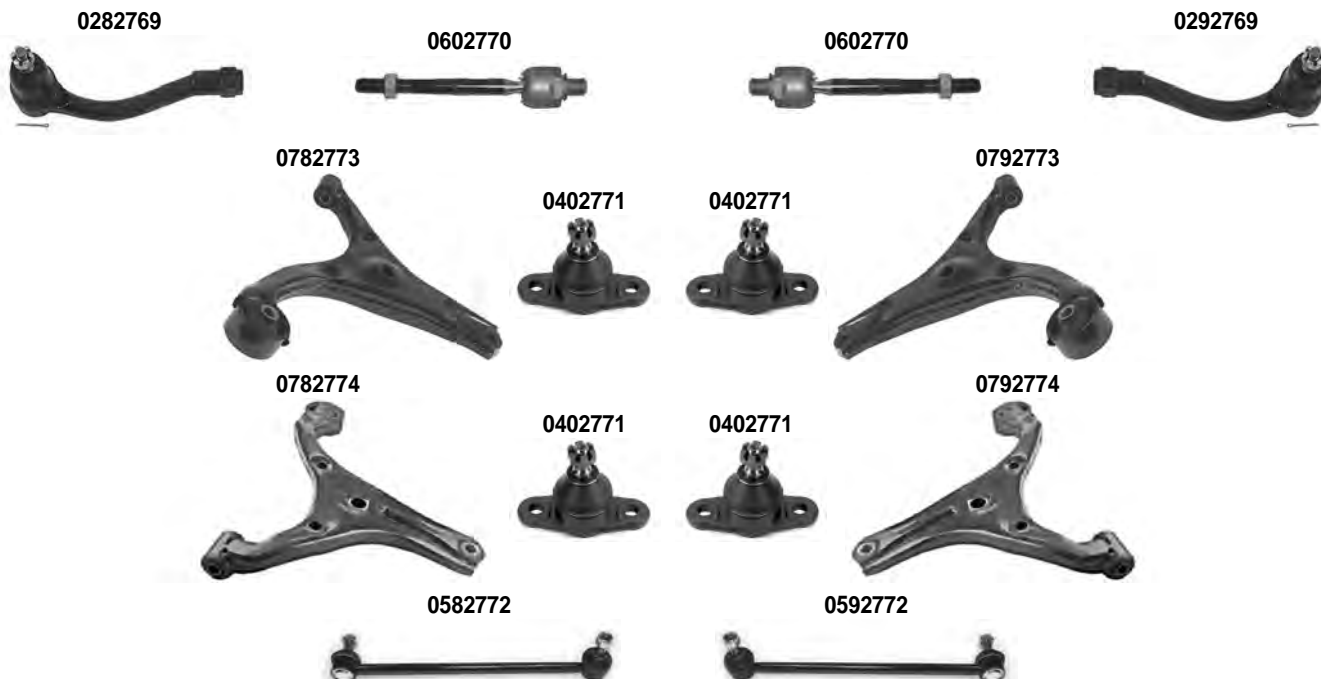
MC

11/2005 > 2010

Asse Anteriore



Front Axle



1) STERZO MANUALE - MANUAL STEERING		2) SERVOSTERZO - POWER STEERING	
OCAP	O.E.		
0282769	56820-1E900	TESTA STERZO TIE ROD END	RHT M14x1,5
0292769	56820-1E000	TESTA STERZO TIE ROD END	RHT M14x1,5
0402771	51760-1G000	SNODO SOSPENSIONE - INFERIORE BALL JOINT - LOWER	
0582772	54840-1G000	STABILIZZATORE STABILIZER LINK	
0592772	54830-1G000	STABILIZZATORE STABILIZER LINK	
0602770	57724-1E000	SNODO ASSIALE AXIAL JOINT	RHT M14x1,5
0782773	54501-1E100	BRACCIO OSCILLANTE - INFERIORE TRACK CONTROL ARM - LOWER	1)
0782774	54501-1E000	BRACCIO OSCILLANTE - INFERIORE TRACK CONTROL ARM - LOWER	2)
0792773	54500-1E100	BRACCIO OSCILLANTE - INFERIORE TRACK CONTROL ARM - LOWER	1)
0792774	54500-1E000	BRACCIO OSCILLANTE - INFERIORE TRACK CONTROL ARM - LOWER	2)

DESTRO
RIGHT



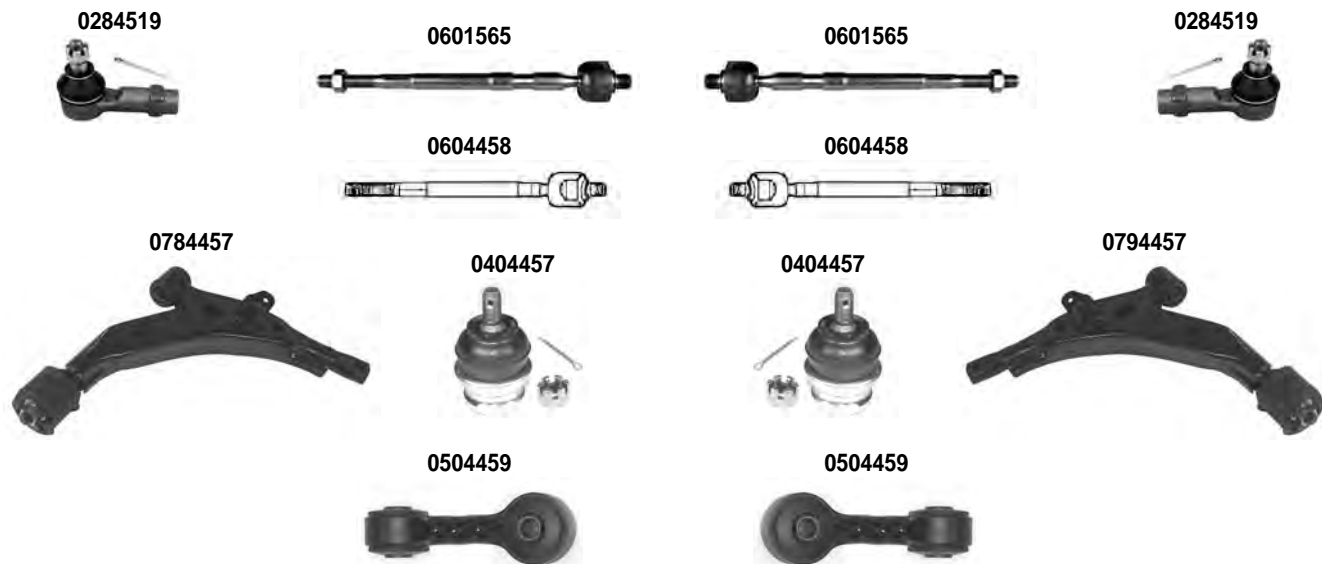
SINISTRO
LEFT

ATOS ATOS PRIME	MX MX	02/1998 > 08/1999 >
--------------------	----------	------------------------

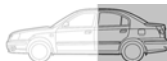
Asse Anteriore



Front Axle



Asse Posteriore



Rear Axle



i 1) STERZO MANUALE - MANUAL STEERING	2) SERVOSTERZO - POWER STEERING
--	---------------------------------

OCAP	O.E.		i	
0284519	56820-02500	TESTA STERZO TIE ROD END		RHT M12x1,25
0404457	54530-02050	SNODO SOSPENSIONE - INFERIORE BALL JOINT - LOWER		
0501575	55530-29000	STABILIZZATORE STABILIZER LINK		
0504459	54820-02000	STABILIZZATORE STABILIZER LINK		
0601565	56540-02000	SNODO ASSIALE AXIAL JOINT	1)	RHT M12x1,25
0604458	57755-02000	SNODO ASSIALE AXIAL JOINT	2)	RHT M12x1,25
0784457	54501-02051	BRACCIO OSCILLANTE - INFERIORE TRACK CONTROL ARM - LOWER		
0794457	54500-02051	BRACCIO OSCILLANTE - INFERIORE TRACK CONTROL ARM - LOWER		

DESTRO
RIGHT



SINISTRO
LEFT

CRETA

2016 >

Asse Anteriore



Front Axle



OCAP	O.E.		
0288876	56825-A0000	TESTA STERZO TIE ROD END	
0298876	56820-A0000	TESTA STERZO TIE ROD END	
0401288	54530-0U000	SNODO SOSPENSIONE - INFERIORE BALL JOINT - LOWER	
0504071	54830-0U000	STABILIZZATORE STABILIZER LINK	
0608876	56540-A0000	SNODO ASSIALE AXIAL JOINT	
0788877	54501-A0000	BRACCIO OSCILLANTE - INFERIORE TRACK CONTROL ARM - LOWER	
0798877	54500-A0000	BRACCIO OSCILLANTE - INFERIORE TRACK CONTROL ARM - LOWER	
1216388	54551-A0000	SILENTBLOCK CENTRALE CENTRAL BUSHING	
1216389	54584-A0000	SILENTBLOCK ESTREMO OUTER BUSHING	

DESTRO
RIGHT



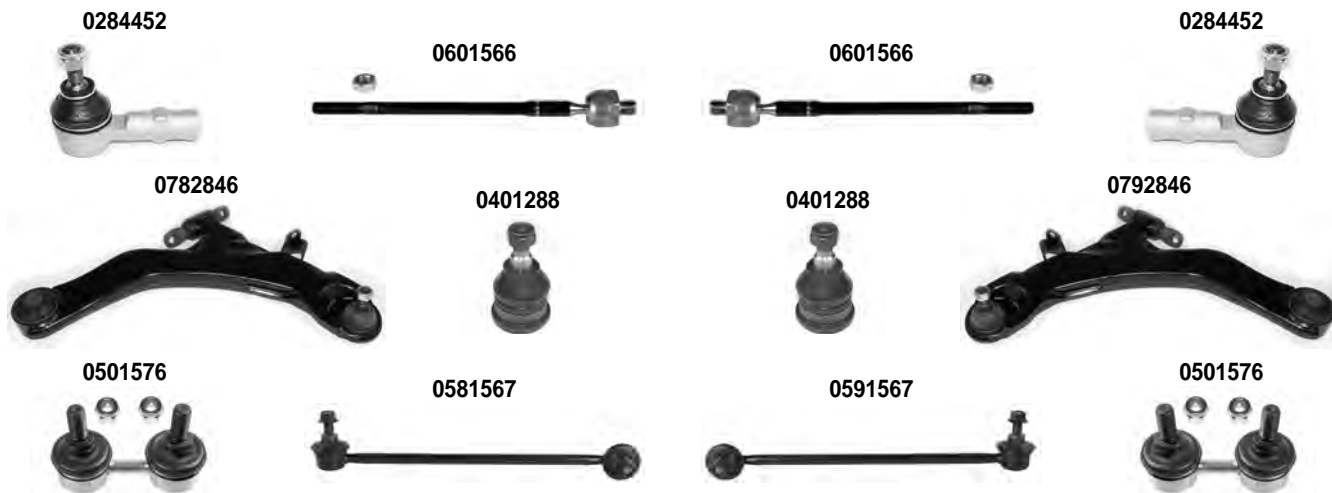
SINISTRO
LEFT

ELANTRA COUPE	XD GK	2000 > 03/2002 > 2009
--------------------------	----------	--------------------------

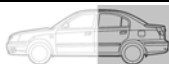
Asse Anteriore



Front Axle



Asse Posteriore



Rear Axle



i 1) SOLO PER - ONLY FOR: MOD. ELANTRA	2) SOLO PER - ONLY FOR: MOD. COUPE
---	------------------------------------

OCAP	O.E.		
0284452	56820-25000	TESTA STERZO TIE ROD END	RHT M14x1,5
0401288	54530-0U000	SNODO SOSPENSIONE - INFERIORE BALL JOINT - LOWER	
0501575	55530-29000	STABILIZZATORE STABILIZER LINK	
0501576	54830-34500	STABILIZZATORE STABILIZER LINK	1)
0581567	54840-2C000	STABILIZZATORE STABILIZER LINK	2)
0591567	54830-2C000	STABILIZZATORE STABILIZER LINK	2)
0601566	57724-2D000	SNODO ASSIALE AXIAL JOINT	RHT M14x1,5
0782846	54501-2D002	BRACCIO OSCILLANTE - INFERIORE TRACK CONTROL ARM - LOWER	1)
0792846	54500-2D002	BRACCIO OSCILLANTE - INFERIORE TRACK CONTROL ARM - LOWER	1)

DESTRO
RIGHT



SINISTRO
LEFT

GALLOPER II

JK-01

08/1998 >

Asse Anteriore



Front Axle



OCAP	O.E.		
0183460	HB568110	TESTA STERZO - INTERNA TIE ROD - INNER	RHT M16x1,5
0193459	HB568120	TESTA STERZO - ESTERNA TIE ROD - OUTER	LHT M16x1,5
0400555	5441744000	SNODO SOSPENSIONE - SUPERIORE BALL JOINT - UPPER	
0403465	HB212100	SNODO SOSPENSIONE - INFERIORE BALL JOINT - LOWER	
0503460	HB568100	BARRA STERZO TIE ROD	
0783297	MB109631A	BRACCIO OSCILLANTE - SUPERIORE TRACK CONTROL ARM - UPPER	
0783298	HB212004	BRACCIO OSCILLANTE - INFERIORE TRACK CONTROL ARM - LOWER	
0793297	MB109630A	BRACCIO OSCILLANTE - SUPERIORE TRACK CONTROL ARM - UPPER	
0793298	HB212003	BRACCIO OSCILLANTE - INFERIORE TRACK CONTROL ARM - LOWER	

DESTRO
RIGHT



SINISTRO
LEFT

GETZ	TB	09/2002 >
------	----	-----------

Asse Anteriore

Front Axle



0284461



0601568



0601568



0284461



0784468



0794468



0401288



0401288



0584462



0594462



OCAP	O.E.			
0284461	56820-3B000	TESTA STERZO TIE ROD END		RHT M14x1,5
0401288	54530-0U000	SNODO SOSPENSIONE - INFERIORE BALL JOINT - LOWER		
0584462	54840-1C000	STABILIZZATORE STABILIZER LINK		
0594462	54830-1C000	STABILIZZATORE STABILIZER LINK		
0601568	57755-1C000	SNODO ASSIALE AXIAL JOINT		RHT M14x1,5
0784468	54501-1C000	BRACCIO OSCILLANTE - INFERIORE TRACK CONTROL ARM - LOWER		
0794468	54500-1C000	BRACCIO OSCILLANTE - INFERIORE TRACK CONTROL ARM - LOWER		

DESTRO
RIGHT



SINISTRO
LEFT

H-1 H-1 STAREX	AUTOBUS (BUS) KMF FURGONATO (VAN)	10/1997 > 03/2000 > 06/1997 >
----------------------	--------------------------------------	-------------------------------------

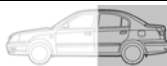
Asse Anteriore



Front Axle



Asse Posteriore



Rear Axle



OCAP	O.E.		i	
0284469	56872-43000	TESTA STERZO TIE ROD END		RHT M14x1,5
0402809	54530-4A000	SNODO SOSPENSIONE - INFERIORE BALL JOINT - LOWER		
0402940	54417-4AA00	SNODO SOSPENSIONE - SUPERIORE BALL JOINT - UPPER		
0502811	54830-4A000	STABILIZZATORE STABILIZER LINK		
0502812	55530-4A000	STABILIZZATORE STABILIZER LINK		
0602808	57729-4A000	SNODO ASSIALE AXIAL JOINT		RHT M14x1,5
0782809	54501-4A000	BRACCIO OSCILLANTE - INFERIORE TRACK CONTROL ARM - LOWER		
0782810	54401-4A000	BRACCIO OSCILLANTE - SUPERIORE TRACK CONTROL ARM - UPPER		
0792809	54500-4A000	BRACCIO OSCILLANTE - INFERIORE TRACK CONTROL ARM - LOWER		
0792810	54400-4A000	BRACCIO OSCILLANTE - SUPERIORE TRACK CONTROL ARM - UPPER		

H-1

DESTRO
RIGHT



SINISTRO
LEFT

H-1	CARGO - TRAVEL	02/2008 >
-----	----------------	-----------

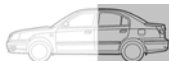
Asse Anteriore



Front Axle



Asse Posteriore



Rear Axle



OCAP	O.E.			
0285193	56820-4H100	TESTA STERZO TIE ROD END		RHT M14x1,5
0295193	56820-4H000	TESTA STERZO TIE ROD END		RHT M14x1,5
0405195	54530-3J000	SNODO SOSPENSIONE - INFERIORE BALL JOINT - LOWER		
0585196	54840-4H200	STABILIZZATORE STABILIZER LINK		
0585197	55540-4H000	STABILIZZATORE STABILIZER LINK		
0595196	54830-4H200	STABILIZZATORE STABILIZER LINK		
0595197	55530-4H000	STABILIZZATORE STABILIZER LINK		
0685194	57724-4H100	SNODO ASSIALE AXIAL JOINT		RHT M14x1,5
0695194	57724-4H000	SNODO ASSIALE AXIAL JOINT		RHT M14x1,5
0785195	54501-4H000	BRACCIO OSCILLANTE - INFERIORE TRACK CONTROL ARM - LOWER		
0795195	54500-4H000	BRACCIO OSCILLANTE - INFERIORE TRACK CONTROL ARM - LOWER		

DESTRO
RIGHT

 SINISTRO
LEFT

H100

07/1993 > 02/2004

Asse Anteriore



Front Axle

0284469

0602120

0602120

0284469

0604453

0604453

0402940

0783495

0793495

0402940

0403507

0783507

0793507

0403507

0403507

0783499

0793499

0403507

i 1) STERZO MANUALE - MANUAL STEERING
3) SOLO PER - ONLY FOR: MOD. PICK-UP

 2) SERVOSTERZO - POWER STEERING
4) SOLO PER - ONLY FOR: MOD. VAN

OCAP	O.E.		i	
0284469	56872-43000	TESTA STERZO TIE ROD END		RHT M14x1,5
0402940	54417-4AA00	SNODO SOSPENSIONE - SUPERIORE BALL JOINT - UPPER		
0403507	MB-527384-01	SNODO SOSPENSIONE - INFERIORE BALL JOINT - LOWER		
0602120	56542-43010	SNODO ASSIALE AXIAL JOINT	1)	RHT M14x1,5
0604453	57775-25000	SNODO ASSIALE AXIAL JOINT	2)	RHT M14x1,5
0783495	54430-43004	BRACCIO OSCILLANTE - SUPERIORE TRACK CONTROL ARM - UPPER	4)	
0783499	54540-43150	BRACCIO OSCILLANTE - INFERIORE TRACK CONTROL ARM - LOWER	4)	
0783507	54540-4B001	BRACCIO OSCILLANTE - INFERIORE TRACK CONTROL ARM - LOWER	3)	
0793495	54410-43004	BRACCIO OSCILLANTE - SUPERIORE TRACK CONTROL ARM - UPPER	4)	
0793499	54510-43150	BRACCIO OSCILLANTE - INFERIORE TRACK CONTROL ARM - LOWER	4)	
0793507	54510-4B001	BRACCIO OSCILLANTE - INFERIORE TRACK CONTROL ARM - LOWER	3)	

DESTRO
RIGHT



SINISTRO
LEFT

i10	PA	2008 > 2013
-----	----	-------------

Asse Anteriore

Front Axle



OCAP	O.E.			
0283956	56820-0X010	TESTA STERZO TIE ROD END		RHT M12x1,25
0402793	54530-07000	SNODO SOSPENSIONE - INFERIORE BALL JOINT - LOWER		
0582794	54840-07000	STABILIZZATORE STABILIZER LINK		
0592794	54830-07000	STABILIZZATORE STABILIZER LINK		
0603958	57724-0X000	SNODO ASSIALE AXIAL JOINT		RHT M12x1,25
0783959	54501-0X000	BRACCIO OSCILLANTE - INFERIORE TRACK CONTROL ARM - LOWER		
0793959	54500-0X000	BRACCIO OSCILLANTE - INFERIORE TRACK CONTROL ARM - LOWER		

DESTRO
RIGHT



SINISTRO
LEFT

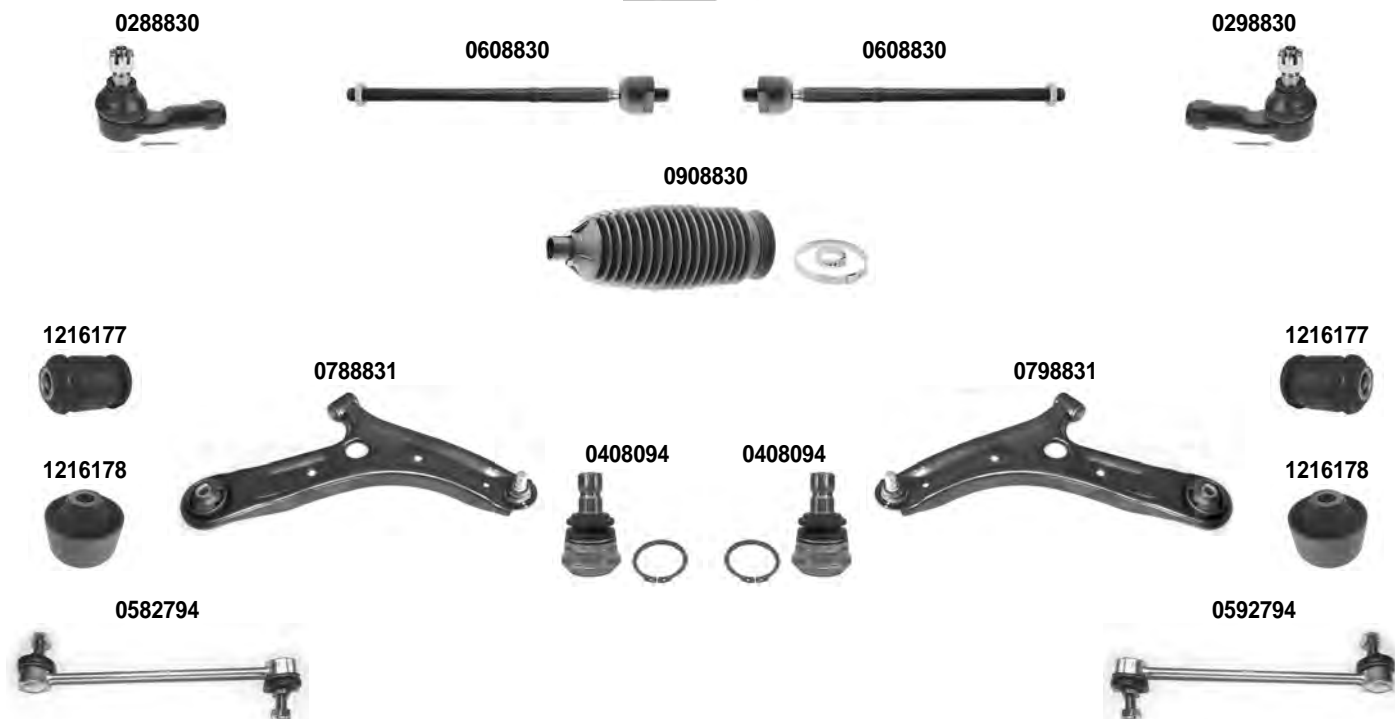
110

i10	BA	08/2013 >
-----	----	-----------

Asse Anteriore



Front Axle



OCAP	O.E.		
0288830	56821-B4050	TESTA STERZO TIE ROD END	RHT M14x1,5
0298830	56820-B4000	TESTA STERZO TIE ROD END	RHT M14x1,5
0408094	54530-2K000	SNODO SOSPENSIONE - INFERIORE BALL JOINT - LOWER	
0582794	54840-07000	STABILIZZATORE STABILIZER LINK	
0592794	54830-07000	STABILIZZATORE STABILIZER LINK	
0608830	56540-B4000	SNODO ASSIALE AXIAL JOINT	RHT M14x1,5
0788831	54501-B9000	BRACCIO OSCILLANTE - INFERIORE TRACK CONTROL ARM - LOWER	
0798831	54500-B9000	BRACCIO OSCILLANTE - INFERIORE TRACK CONTROL ARM - LOWER	
0908830	57740-B4000	KIT CUFFIA STERZO STEERING GAITER KIT	
1216177	54551-1J000	SILENTBLOCK CENTRALE CENTRAL BUSHING	
1216178	54584-1J000	SILENTBLOCK ESTREMO OUTER BUSHING	

DESTRO
RIGHT



SINISTRO
LEFT

i20	PB - PBT	09/2008 > 2014
-----	----------	----------------

Asse Anteriore



Front Axle



OCAP	O.E.			
0284075	56820-2K050	TESTA STERZO TIE ROD END		RHT M12x1,25
0294075	56820-2K000	TESTA STERZO TIE ROD END		RHT M12x1,25
0401288	54530-0U000	SNODO SOSPENSIONE - INFERIORE BALL JOINT - LOWER		
0584078	54840-1J000	STABILIZZATORE STABILIZER LINK		
0594078	54830-1J000	STABILIZZATORE STABILIZER LINK		
0604076	57724-1J000	SNODO ASSIALE AXIAL JOINT		RHT M12x1,25
0784077	54501-1J500	BRACCIO OSCILLANTE - INFERIORE TRACK CONTROL ARM - LOWER		
0794077	54500-1J500	BRACCIO OSCILLANTE - INFERIORE TRACK CONTROL ARM - LOWER		

DESTRO
RIGHT

 SINISTRO
LEFT

i20

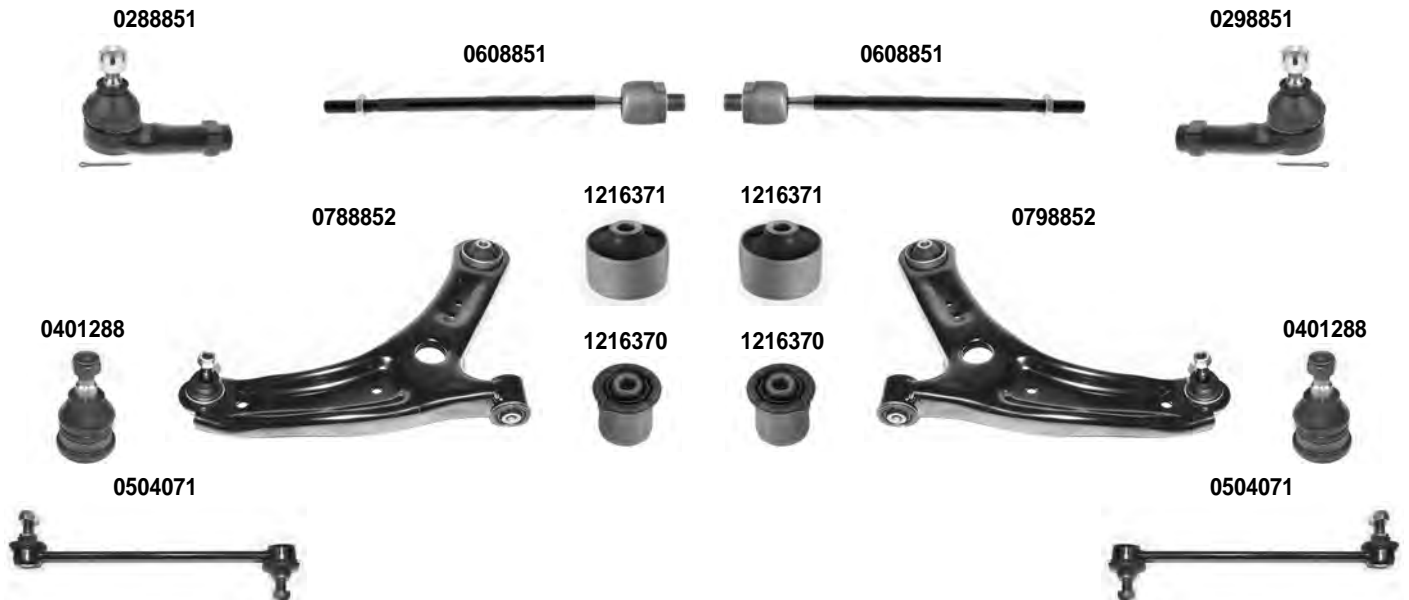
GB - IB

11/2014 >

Asse Anteriore



Front Axle



OCAP	O.E.			
0288851	56820-C8900	TESTA STERZO TIE ROD END		RHT M14x1,5
0298851	56820-C8000	TESTA STERZO TIE ROD END		RHT M14x1,5
0401288	54530-0U000	SNODO SOSPENSIONE - INFERIORE BALL JOINT - LOWER		
0504071	54830-0U000	STABILIZZATORE STABILIZER LINK		
0608851	56540-C8000	SNODO ASSIALE AXIAL JOINT		RHT M14x1,5
0788852	54501-C8000	BRACCIO OSCILLANTE - INFERIORE TRACK CONTROL ARM - LOWER		
0798852	54500-C8000	BRACCIO OSCILLANTE - INFERIORE TRACK CONTROL ARM - LOWER		
1216370	54551-C1000	SILENTBLOCK - CENTRALE CENTRAL BUSHING		
1216371	54584-C8000	SILENTBLOCK - ESTREMO OUTER BUSHING		

DESTRO
RIGHT



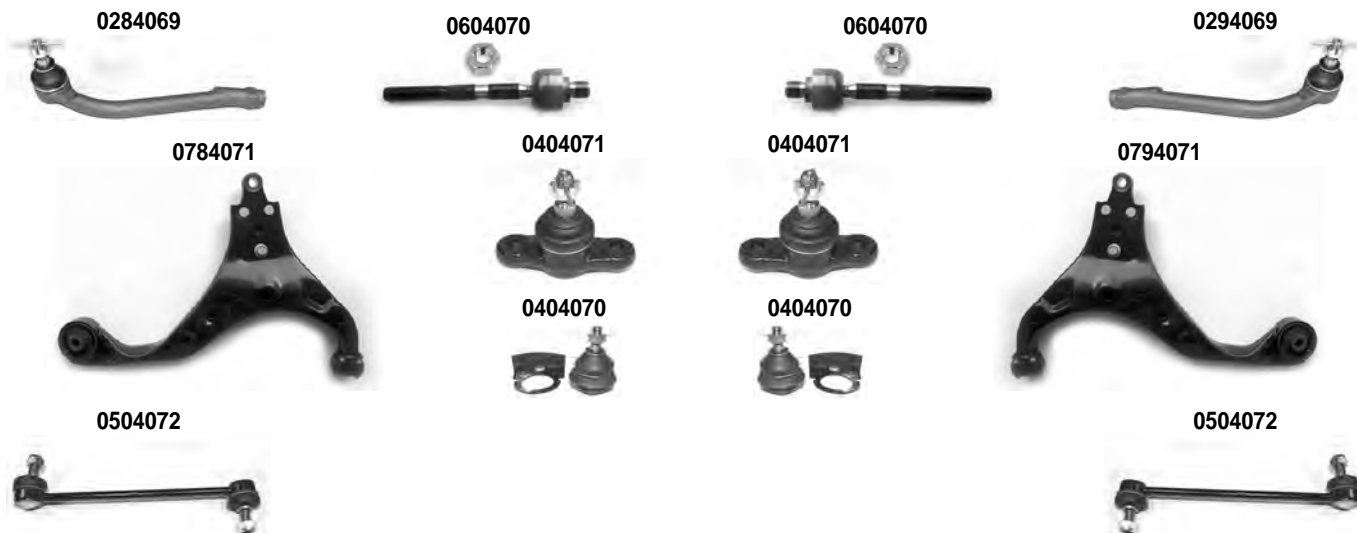
SINISTRO
LEFT

i30 i30 CW	FD FD	10/2007 > 2011 10/2007 > 06/2012
---------------	----------	-------------------------------------

Asse Anteriore



Front Axle



Asse Posteriore



Rear Axle



i 1) > 02/2009	2) 03/2009 >
-----------------------	--------------

OCAP	O.E.		i	
0284069	56820-2H090	TESTA STERZO TIE ROD END		RHT M14x1,5
0294069	56820-2H000	TESTA STERZO TIE ROD END		RHT M14x1,5
0304073	55250-2H000	BRACCIO SOSPENSIONE SUSPENSION ARM		
0404070	51760-2R000	SNODO SOSPENSIONE - INFERIORE BALL JOINT - LOWER	2)	
0404071	51760-0Q000	SNODO SOSPENSIONE - INFERIORE BALL JOINT - LOWER	1)	
0504072	54830-2H100	STABILIZZATORE STABILIZER LINK		
0504074	55530-1H100	STABILIZZATORE STABILIZER LINK		
0604070	56540-2H000	SNODO ASSIALE AXIAL JOINT		RHT M14x1,5
0784071	54501-2H000	BRACCIO OSCILLANTE - INFERIORE TRACK CONTROL ARM - LOWER		
0794071	54500-2H000	BRACCIO OSCILLANTE - INFERIORE TRACK CONTROL ARM - LOWER		

DESTRO
RIGHT

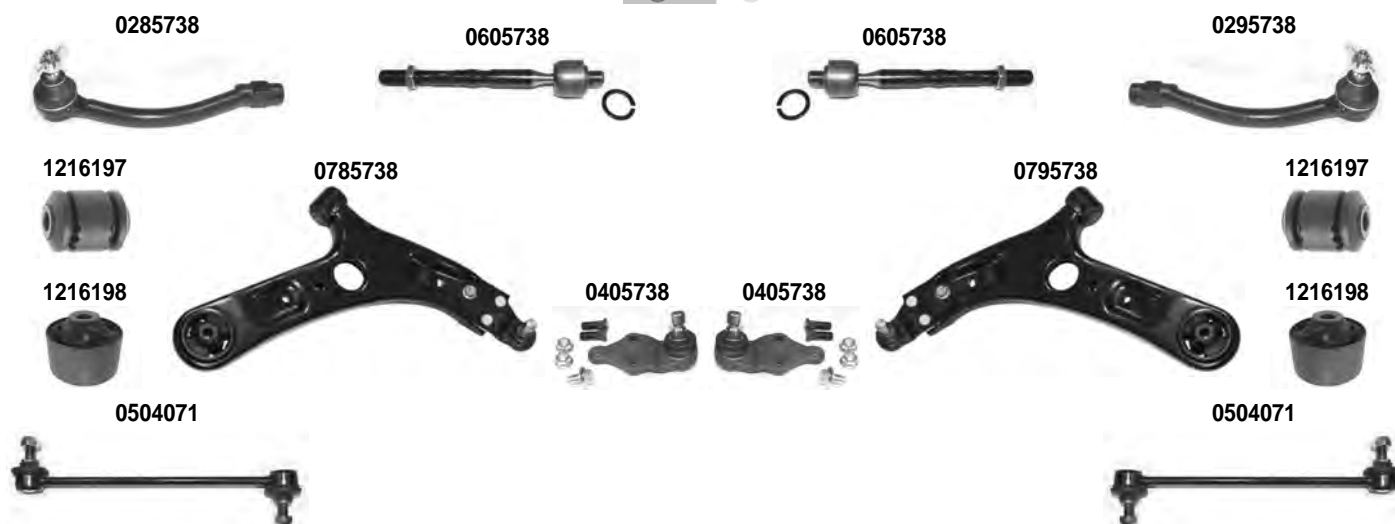
 SINISTRO
LEFT

i30 i30 CW i30 COUPE'	GD GD	11/2011 > 06/2012 > 05/2013 >
-----------------------------	----------	-------------------------------------

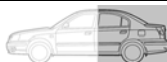
Asse Anteriore



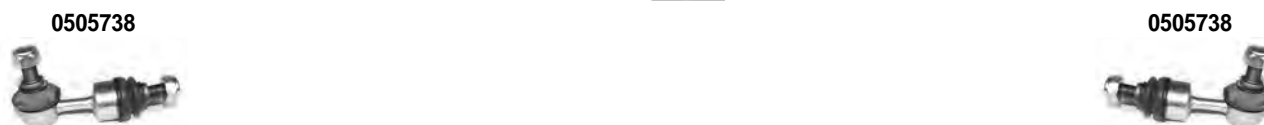
Front Axle



Asse Posteriore



Rear Axle



OCAP	O.E.			
0285738	56820-A6090	TESTA STERZO TIE ROD END		RHT M16x1,5
0295738	56820-A6000	TESTA STERZO TIE ROD END		RHT M16x1,5
0405738	54530-3S100	SNODO SOSPENSIONE - INFERIORE BALL JOINT - LOWER		
0504071	54830-0U000	STABILIZZATORE STABILIZER LINK		
0505738	55530-3R000	STABILIZZATORE STABILIZER LINK		
0605738	56540-A6000	SNODO ASSIALE AXIAL JOINT		RHT M16x1,5
0785738	54501-A6200	BRACCIO OSCILLANTE - INFERIORE TRACK CONTROL ARM - LOWER		
0795738	54500-A6200	BRACCIO OSCILLANTE - INFERIORE TRACK CONTROL ARM - LOWER		
1216197	54551-3X000	SILENTBLOCK - CENTRALE CENTRAL BUSHING		
1216198	54584-A6000	SILENTBLOCK - ESTREMO OUTER BUSHING		

DESTRO
RIGHT



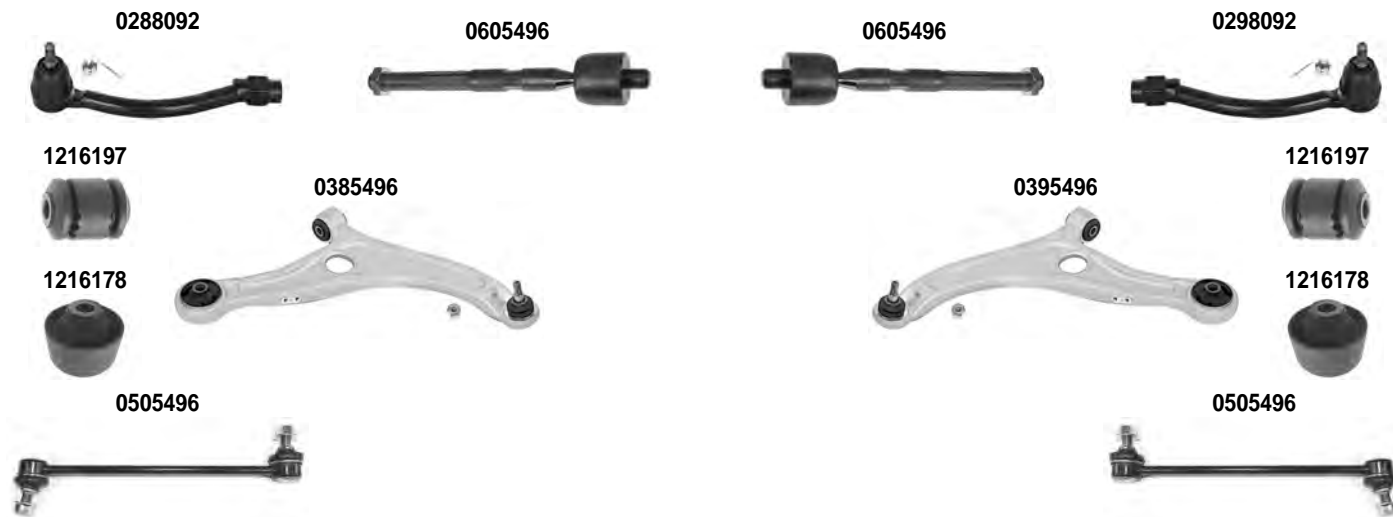
SINISTRO
LEFT

i40 i40 CW	VF VF	03/2012 > 07/2011 >
---------------	----------	------------------------

Asse Anteriore



Front Axle



Asse Posteriore



Rear Axle



OCAP	O.E.			
0288092	56820-2S050	TESTA STERZO TIE ROD END		RHT M16x1,5
0298092	56820-2S000	TESTA STERZO TIE ROD END		RHT M16x1,5
0385496	54501-3Z000	BRACCIO OSCILLANTE - INFERIORE TRACK CONTROL ARM - LOWER		
0395496	54500-3Z000	BRACCIO OSCILLANTE - INFERIORE TRACK CONTROL ARM - LOWER		
0505160	55250-3Z000	STABILIZZATORE STABILIZER LINK		
0505496	54830-3Z000	STABILIZZATORE STABILIZER LINK		
0585496	55540-3Z000	STABILIZZATORE STABILIZER LINK		
0605496	57724-3Z000	SNODO ASSIALE AXIAL JOINT		RHT M16x1,5
1216178	54584-1J000	SILENTBLOCK ESTREMO OUTER BUSHING		
1216197	54551-3X000	SILENTBLOCK - CENTRALE CENTRAL BUSHING		

DESTRO
RIGHT



SINISTRO
LEFT

ix20

ix20	JC	11/2010 >
------	----	-----------

Asse Anteriore



Front Axle



OCAP	O.E.		
0284075	56820-2K050	TESTA STERZO TIE ROD END	RHT M12x1,25
0294075	56820-2K000	TESTA STERZO TIE ROD END	RHT M12x1,25
0401288	54530-0U000	SNODO SOSPENSIONE - INFERIORE BALL JOINT - LOWER	
0584078	54840-1J000	STABILIZZATORE STABILIZER LINK	
0594078	54830-1J000	STABILIZZATORE STABILIZER LINK	
0608093	56540-2K000	SNODO ASSIALE AXIAL JOINT	RHT M12x1,25
0788093	54501-1P000	BRACCIO OSCILLANTE - INFERIORE TRACK CONTROL ARM - LOWER	
0798093	54500-1P000	BRACCIO OSCILLANTE - INFERIORE TRACK CONTROL ARM - LOWER	

DESTRO
RIGHT



SINISTRO
LEFT

ix35	LM	01/2010 >
------	----	-----------

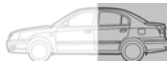
Asse Anteriore



Front Axle



Asse Posteriore



Rear Axle



OCAP	O.E.		
0288092	56820-2S050	TESTA STERZO TIE ROD END	RHT M16x1,5
0298092	56820-2S000	TESTA STERZO TIE ROD END	RHT M16x1,5
0408092	54530-3S000	SNODO SOSPENSIONE - INFERIORE BALL JOINT - LOWER	
0508092	54830-2S000	STABILIZZATORE STABILIZER LINK	
0508093	55530-2S100	STABILIZZATORE STABILIZER LINK	
0608092	57724-2S000	SNODO ASSIALE AXIAL JOINT	RHT M16x1,5
0788092	54501-2Y000	BRACCIO OSCILLANTE - INFERIORE TRACK CONTROL ARM - LOWER	
0798092	54500-2Y000	BRACCIO OSCILLANTE - INFERIORE TRACK CONTROL ARM - LOWER	

DESTRO
RIGHT



SINISTRO
LEFT

LANTRA I

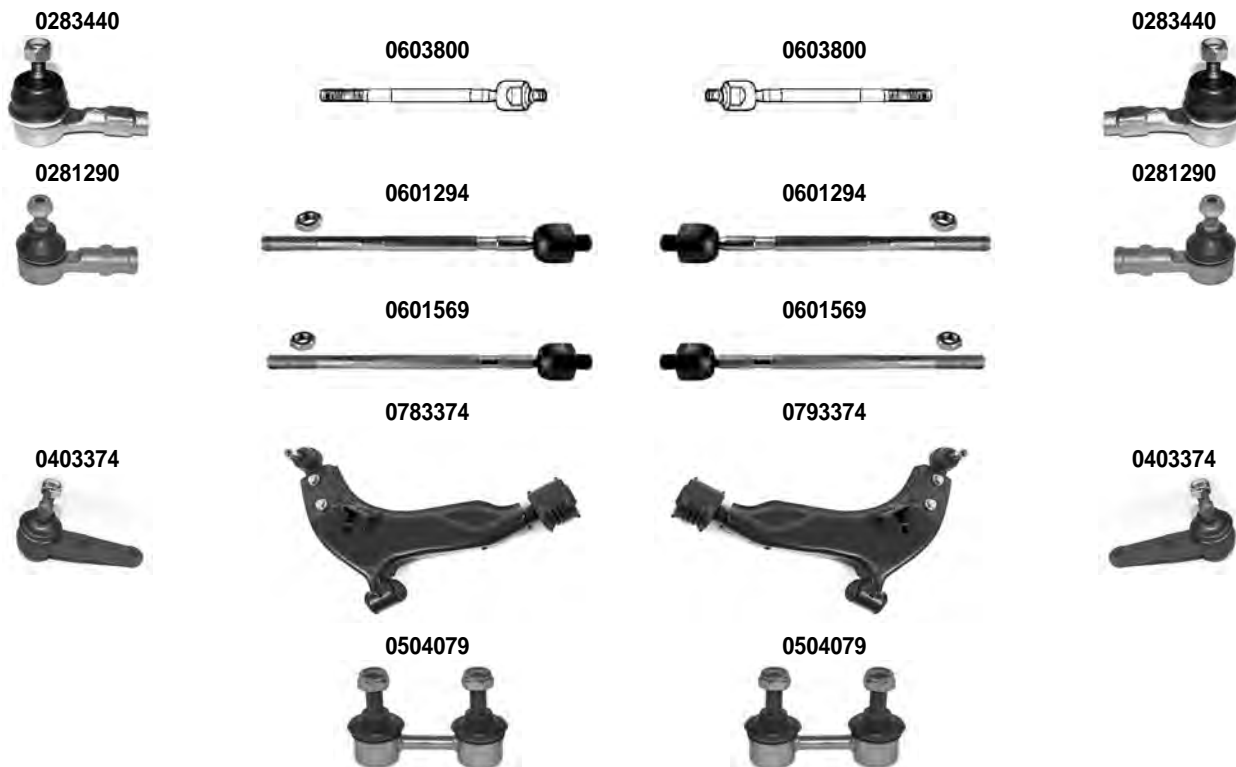
J-1

1991 > 1995

Asse Anteriore



Front Axle



i 1) > 04/1992 2) 04/1992 >
3) SERVOSTERZO - POWER STEERING: 04/1992 > 06/1993 4) SERVOSTERZO - POWER STEERING: 06/1993 >

OCAP	O.E.		i	
0281290	56820-22000	TESTA STERZO TIE ROD END	2)	RHT M14x1,5
0283440	56820-28000	TESTA STERZO TIE ROD END	1)	RHT M12x1,25
0403374	54530-28A00	SNODO SOSPENSIONE - INFERIORE BALL JOINT - LOWER		
0504079	54840-28000	STABILIZZATORE STABILIZER LINK		
0601294	57730-28500	SNODO ASSIALE AXIAL JOINT	3)	RHT M14x1,5 L = 295 mm.
0601569	57730-33100	SNODO ASSIALE AXIAL JOINT	4)	RHT M14x1,5 L = 300 mm.
0603800	57730-28000	SNODO ASSIALE AXIAL JOINT	1)	RHT M12x1,25 L = 300 mm.
0783374	54503-28010	BRACCIO OSCILLANTE - INFERIORE TRACK CONTROL ARM - LOWER		
0793374	54502-28070	BRACCIO OSCILLANTE - INFERIORE TRACK CONTROL ARM - LOWER		

DESTRO
RIGHT



SINISTRO
LEFT

LANTRA II COUPE	J-2 RD	1995 > 2000 1996 > 2002
----------------------------	-----------	----------------------------

Asse Anteriore



Front Axle

0281290



0601285



0601285



0281290



0401288



0782655



0792655



0401288



0501574



0501574



Asse Posteriore



Rear Axle

0501575



0501575



OCAP	O.E.		
0281290	56820-22000	TESTA STERZO TIE ROD END	RHT M14x1,5
0401288	54530-0U000	SNODO SOSPENSIONE - INFERIORE BALL JOINT - LOWER	
0501574	54830-29000	STABILIZZATORE STABILIZER LINK	
0501575	55530-29000	STABILIZZATORE STABILIZER LINK	
0601285	57730-29000	SNODO ASSIALE AXIAL JOINT	RHT M14x1,5
0782655	54501-29500	BRACCIO OSCILLANTE - INFERIORE TRACK CONTROL ARM - LOWER	
0792655	54500-29500	BRACCIO OSCILLANTE - INFERIORE TRACK CONTROL ARM - LOWER	

DESTRO
RIGHT



SINISTRO
LEFT

MATRIX

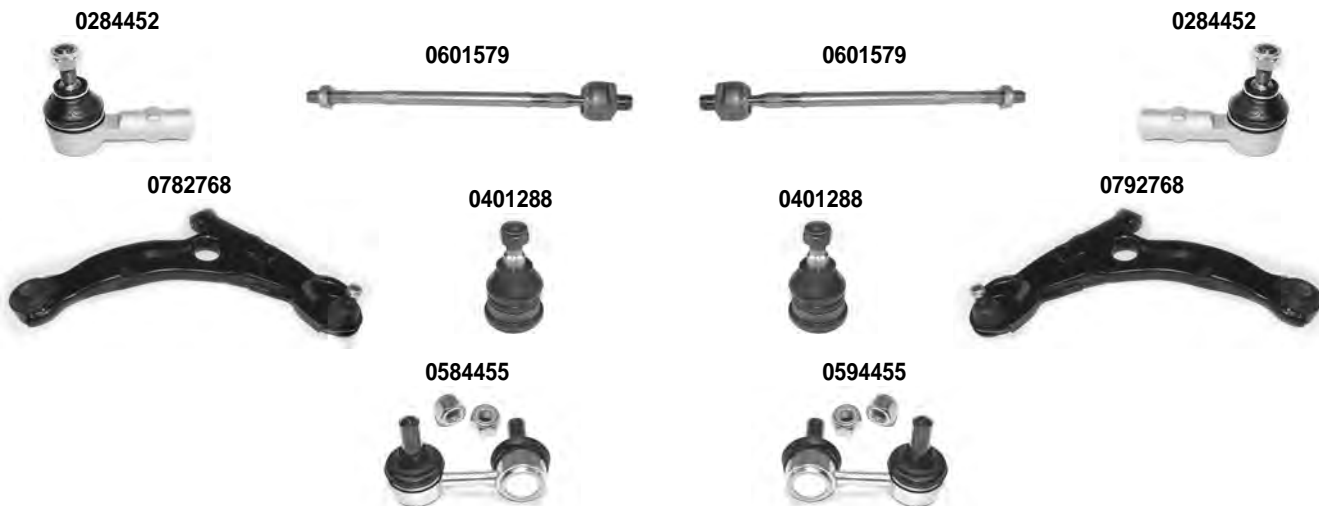
FC

06/2001 >

Asse Anteriore



Front Axle



Asse Posteriore



Rear Axle



OCAP	O.E.		
0284452	56820-25000	TESTA STERZO TIE ROD END	RHT M14x1,5
0401288	54530-0U000	SNODO SOSPENSIONE - INFERIORE BALL JOINT - LOWER	
0504080	55530-17000	STABILIZZATORE STABILIZER LINK	
0584455	54830-17020	STABILIZZATORE STABILIZER LINK	
0594455	54830-17010	STABILIZZATORE STABILIZER LINK	
0601579	57716-34000	SNODO ASSIALE AXIAL JOINT	RHT M14x1,5
0782768	54501-17000	BRACCIO OSCILLANTE - INFERIORE TRACK CONTROL ARM - LOWER	
0792768	54500-17000	BRACCIO OSCILLANTE - INFERIORE TRACK CONTROL ARM - LOWER	

DESTRO
RIGHT



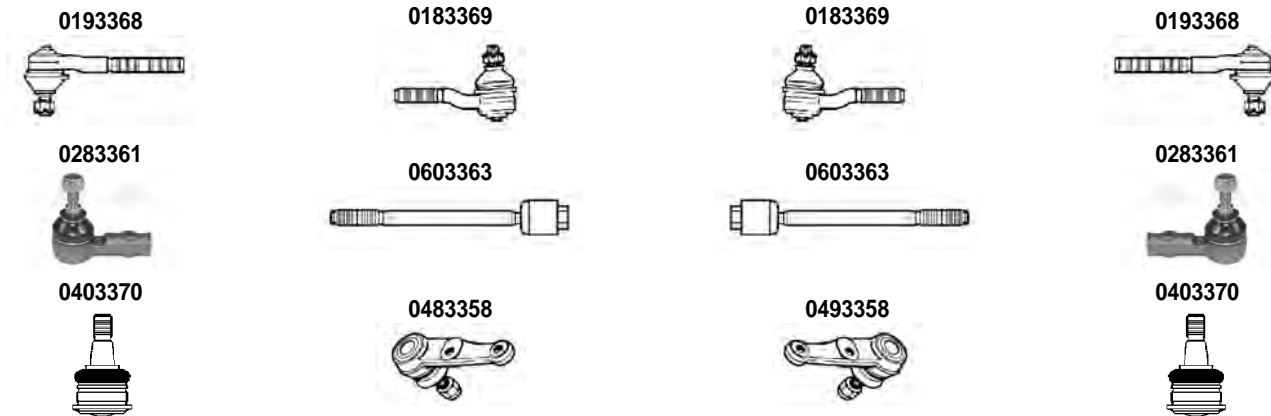
SINISTRO
LEFT

PONY PONY - EXCEL I	X1	1978 > 1984 1985 > 1989
------------------------	----	----------------------------

Asse Anteriore



Front Axle



i 1) SOLO PER - ONLY FOR: PONY > 1984 3) SERVOSTERZO - POWER STEERING	2) SOLO PER - ONLY FOR: PONY X1 - EXCEL I -1985 >
---	---

OCAP	O.E.		i	
0183369	56820-11060	TESTA STERZO - INTERNA TIE ROD END INNER	1)	LHT M14x1,5
0193368	56810-11060	TESTA STERZO - ESTERNA TIE ROD END - OUTER	1)	RHT M14x1,5
0283361	56820-21120	TESTA STERZO TIE ROD END	2)	RHT M14x1,5
0403370	54503-14200	SNODO SOSPENSIONE - INFERIORE BALL JOINT - LOWER	1)	
0483358	54540-21000	SNODO SOSPENSIONE BALL JOINT	2)	
0493358	54530-21000	SNODO SOSPENSIONE BALL JOINT	2)	
0603363	56540-21010	SNODO ASSIALE AXIAL JOINT	2) 3)	RHT M14x1,5

DESTRO
RIGHT

 SINISTRO
LEFT

**PONY - EXCEL II
S COUPE**

 X2
SLC

 1990 > 1994
02/1990 > 05/1996

Asse Anteriore



Front Axle

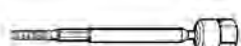
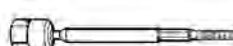
0283361

0603365

0603365

0283361

0603366

0603364

0603364

0603366

0782658

0792658

0403374

0403374

0501767

0501767


i 1) STERZO MANUALE - MANUAL STEERING
3) SERVOSTERZO - POWER STEERING: 06/1993 >

2) SERVOSTERZO - POWER STEERING: 05/1992 > 05/1993

OCAP	O.E.		i	
0283361	56820-21120	TESTA STERZO TIE ROD END		RHT M14x1,5
0403374	54530-28A00	SNODO SOSPENSIONE - INFERIORE BALL JOINT - LOWER		
0501767	MR-518892	STABILIZZATORE STABILIZER LINK		
0603364	57730-24100	SNODO ASSIALE AXIAL JOINT	3)	RHT M14x1,5
0603365	56540-24000	SNODO ASSIALE AXIAL JOINT	1)	RHT M14x1,5
0603366	57730-24000	SNODO ASSIALE AXIAL JOINT	2)	RHT M14x1,5
0782658	54501-24000	BRACCIO OSCILLANTE - INFERIORE TRACK CONTROL ARM - LOWER		
0792658	54500-24000	BRACCIO OSCILLANTE - INFERIORE TRACK CONTROL ARM - LOWER		

DESTRO
RIGHT



SINISTRO
LEFT

SANTA FE' I	SM	2001 > 02/2006
-------------	----	----------------

Asse Anteriore



Front Axle

0284461



0604517



0604517



0284461



0404465



0784465



0794465



0404465



0584466



0594466



Asse Posteriore



Rear Axle

0582764



0592764



OCAP	O.E.		
0284461	56820-3B000	TESTA STERZO TIE ROD END	RHT M14x1,5
0404465	54530-3B000	SNODO SOSPENSIONE - INFERIORE BALL JOINT - LOWER	
0582764	55540-26600	STABILIZZATORE STABILIZER LINK	
0584466	54840-26000	STABILIZZATORE STABILIZER LINK	
0592764	55530-26600	STABILIZZATORE STABILIZER LINK	
0594466	54830-26000	STABILIZZATORE STABILIZER LINK	
0604517	57785-26200	SNODO ASSIALE AXIAL JOINT	RHT M14x1,5
0784465	54502-26000	BRACCIO OSCILLANTE - INFERIORE TRACK CONTROL ARM - LOWER	
0794465	54501-26000	BRACCIO OSCILLANTE - INFERIORE TRACK CONTROL ARM - LOWER	

DESTRO
RIGHT



SINISTRO
LEFT

SANTA FE' II

CM

10/2005 > 03/2015 >

Asse Anteriore



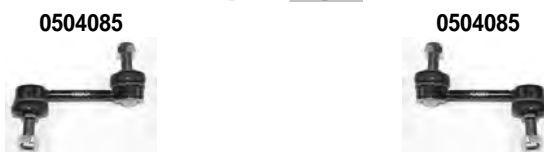
Front Axle



Asse Posteriore



Rear Axle



i 1) > 08/2012

OCAP	O.E.		i	
0284081	56820-2B900	TESTA STERZO TIE ROD END	1)	RHT M16x1,5
0294081	56820-2B000	TESTA STERZO TIE ROD END	1)	RHT M16x1,5
0404465	54530-2B000	SNODO SOSPENSIONE - INFERIORE BALL JOINT - LOWER		
0504085	55530-2B000	STABILIZZATORE STABILIZER LINK		
0584084	54840-2B000	STABILIZZATORE STABILIZER LINK		
0594084	54830-2B000	STABILIZZATORE STABILIZER LINK		
0604082	57724-2B000	SNODO ASSIALE AXIAL JOINT		RHT M16x1,5
0784083	54501-2B100	BRACCIO OSCILLANTE - INFERIORE TRACK CONTROL ARM - LOWER		
0794083	54500-2B100	BRACCIO OSCILLANTE - INFERIORE TRACK CONTROL ARM - LOWER		

DESTRO
RIGHT



SINISTRO
LEFT

SONATA II - SONICA II

Y-2

09/1988 > 10/1993

Asse Anteriore



Front Axle

0283433



0603362



0603362



0283433



0601569



0601569



0783357



0793357



0401288



0401288



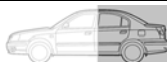
0504086



0504086



Asse Posteriore



Rear Axle

0501577



0402483



0402483



0501577



i 1) SERVOSTERZO - POWER STEERING

OCAP	O.E.		i	
0283433	56820-36000	TESTA STERZO TIE ROD END		RHT M14x1,5
0401288	54530-0U000	SNODO SOSPENSIONE - INFERIORE BALL JOINT - LOWER		
0402483	55130-34A00	SNODO SOSPENSIONE - INFERIORE BALL JOINT - LOWER		
0501577	55580-37020	STABILIZZATORE STABILIZER LINK		
0504086	54830-36000	STABILIZZATORE STABILIZER LINK		
0601569	57730-33100	SNODO ASSIALE AXIAL JOINT		RHT M14x1,5 L= 300 mm.
0603362	57730-33200	SNODO ASSIALE AXIAL JOINT	1)	RHT M14x1,5
0783357	54501-33000	BRACCIO OSCILLANTE - INFERIORE TRACK CONTROL ARM - LOWER		
0793357	54500-33000	BRACCIO OSCILLANTE - INFERIORE TRACK CONTROL ARM - LOWER		

DESTRO
RIGHT

 SINISTRO
LEFT

SONATA III - SONICA III

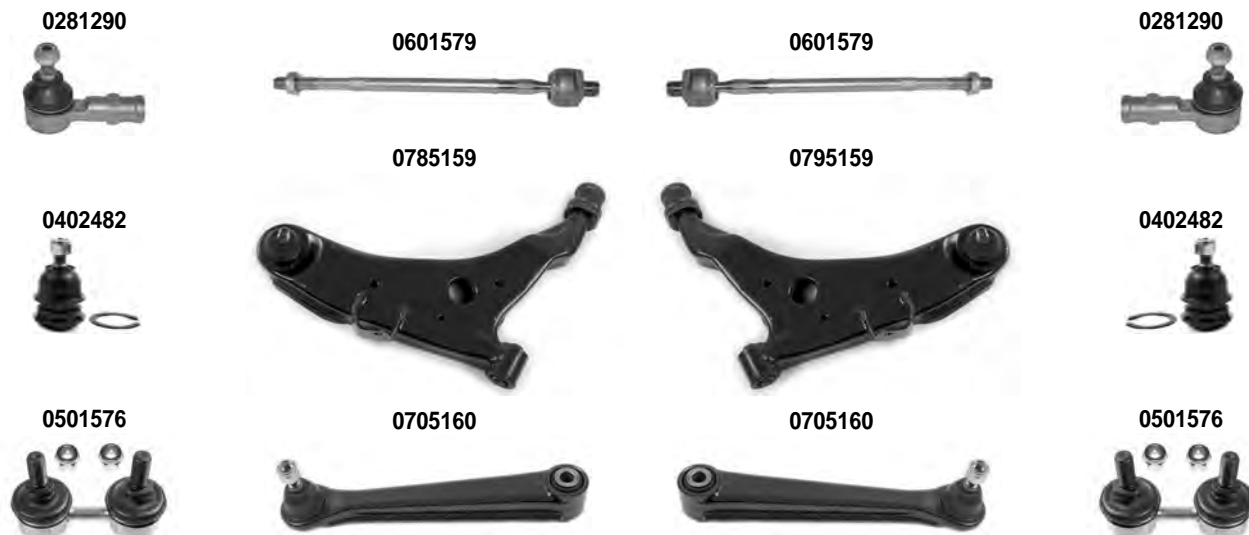
Y-3

05/1993 > 08/1998

Asse Anteriore



Front Axle



Asse Posteriore



Rear Axle



OCAP	O.E.		
0281290	56820-22000	TESTA STERZO TIE ROD END	RHT M14x1,5
0402482	54503-34A01	SNODO SOSPENSIONE - INFERIORE BALL JOINT - LOWER	
0402483	55130-34A00	SNODO SOSPENSIONE - INFERIORE BALL JOINT - LOWER	
0501576	54830-34500	STABILIZZATORE STABILIZER LINK	
0501577	55580-37020	STABILIZZATORE STABILIZER LINK	
0601579	57716-34000	SNODO ASSIALE AXIAL JOINT	RHT M14x1,5 L = 320 mm.
0705160	55250-34000	BRACCIO OSCILLANTE - SUPERIORE TRACK CONTROL ARM - UPPER	
0705161	55201-37010	BRACCIO OSCILLANTE TRACK CONTROL ARM	
0785159	54501-34000	BRACCIO OSCILLANTE - INFERIORE TRACK CONTROL ARM - LOWER	
0795159	54500-34000	BRACCIO OSCILLANTE - INFERIORE TRACK CONTROL ARM - LOWER	

DESTRO
RIGHT



SINISTRO
LEFT

SONATA IV
XG (25 - 30)

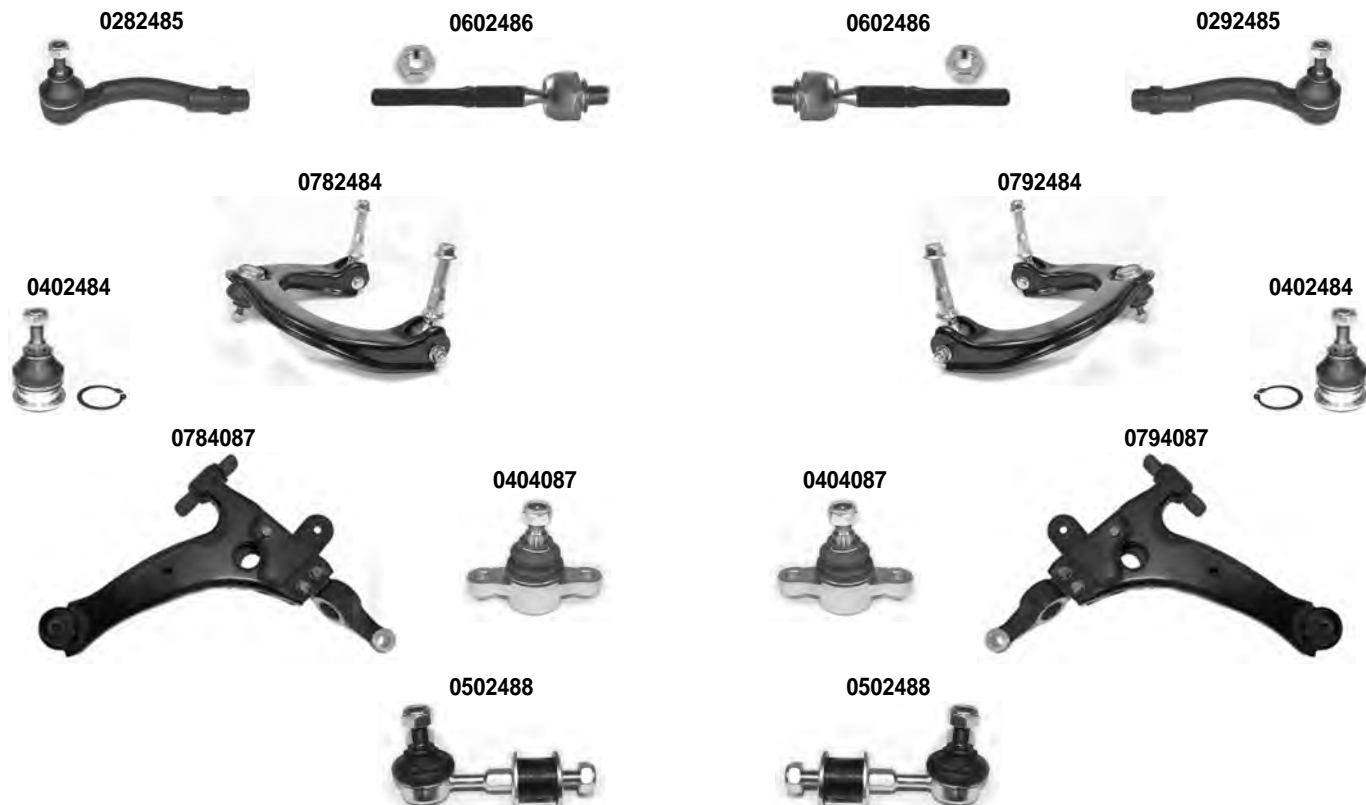
EF
XG

03/1998 > 10/2001
12/1998 > 2005

Asse Anteriore



Front Axle



OCAP	O.E.			
0282485	56820-38900	TESTA STERZO TIE ROD END		RHT M14x1,5
0292485	56820-38000	TESTA STERZO TIE ROD END		RHT M14x1,5
0402484	54403-38A00	SNODO SOSPENSIONE - SUPERIORE BALL JOINT - UPPER		
0404087	51760-38000	SNODO SOSPENSIONE - INFERIORE BALL JOINT - LOWER		
0502488	54830-38100	STABILIZZATORE STABILIZER LINK		
0602486	57724-38000	SNODO ASSIALE AXIAL JOINT		RHT M14x1,5
0782484	54420-38000	BRACCIO OSCILLANTE - SUPERIORE TRACK CONTROL ARM - UPPER		
0784087	54501-38000	BRACCIO OSCILLANTE - INFERIORE TRACK CONTROL ARM - LOWER		
0792484	54410-38000	BRACCIO OSCILLANTE - SUPERIORE TRACK CONTROL ARM - UPPER		
0794087	54500-38000	BRACCIO OSCILLANTE - INFERIORE TRACK CONTROL ARM - LOWER		

DESTRO
RIGHT



SINISTRO
LEFT

SONATA IV
XG (25 - 30)

EF
XG

03/1998 > 10/2001
12/1998 > 2005

Asse Posteriore



Rear Axle

0401288



0704096



0704096



0401288



0784097



0794097



0501578



0502487



0502487



0501578



i 1) > 2000	2) 2000 >
--------------------	-----------

OCAP	O.E.		i	
0401288	54530-0U000	SNODO SOSPENSIONE - INFERIORE BALL JOINT - LOWER		
0501578	55530-38000	STABILIZZATORE STABILIZER LINK	1)	
0502487	55530-38600	STABILIZZATORE STABILIZER LINK	2)	
0704096	55210-38000	BRACCIO OSCILLANTE - INFERIORE TRACK CONTROL ARM - LOWER		
0784097	55120-38000	BRACCIO OSCILLANTE - SUPERIORE TRACK CONTROL ARM - UPPER		
0794097	55110-38000	BRACCIO OSCILLANTE - SUPERIORE TRACK CONTROL ARM - UPPER		

DESTRO
RIGHT



SINISTRO
LEFT

SONATA IV

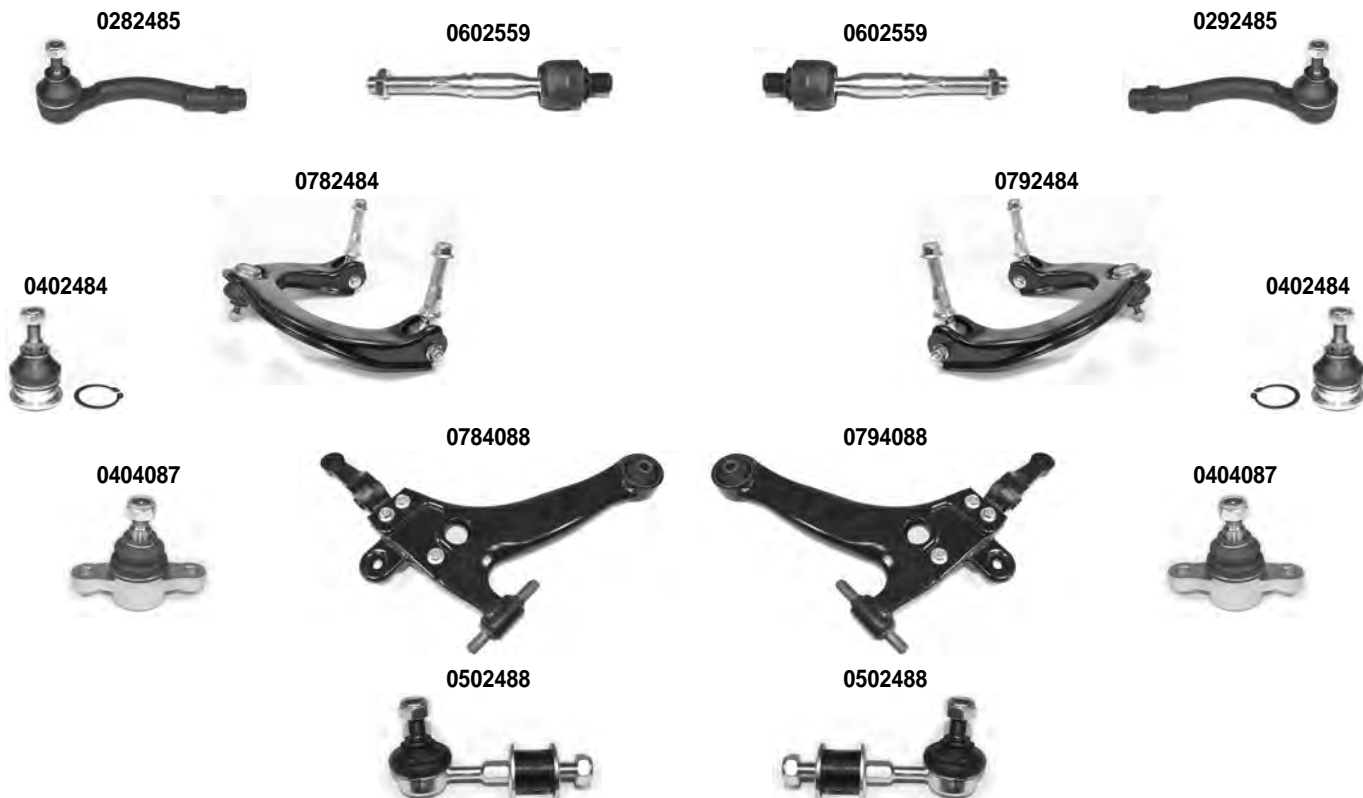
EF

10/2001 > 05/2005

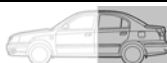
Asse Anteriore



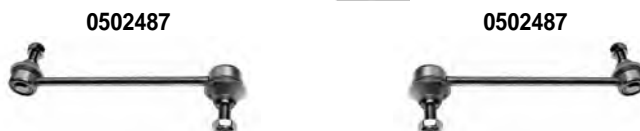
Front Axle



Asse Posteriore



Rear Axle



OCAP	O.E.		
0282485	56820-38900	TESTA STERZO TIE ROD END	RHT M14x1,5
0292485	56820-38000	TESTA STERZO TIE ROD END	RHT M14x1,5
0402484	54403-38A00	SNODO SOSPENSIONE - SUPERIORE BALL JOINT - UPPER	
0404087	51760-38000	SNODO SOSPENSIONE - INFERIORE BALL JOINT - LOWER	
0502487	55530-38600	STABILIZZATORE STABILIZER LINK	
0502488	54830-38100	STABILIZZATORE STABILIZER LINK	
0602559	57724-38010	SNODO ASSIALE AXIAL JOINT	RHT M14x1,5
0782484	54420-38000	BRACCIO OSCILLANTE - SUPERIORE TRACK CONTROL ARM - UPPER	
0784088	54501-38011	BRACCIO OSCILLANTE - INFERIORE TRACK CONTROL ARM - LOWER	
0792484	54410-38000	BRACCIO OSCILLANTE - SUPERIORE TRACK CONTROL ARM - UPPER	
0794088	54500-38011	BRACCIO OSCILLANTE - INFERIORE TRACK CONTROL ARM - LOWER	

DESTRO
RIGHT

 SINISTRO
LEFT

SONATA V

NF

01/2005 >

Asse Anteriore



Front Axle

0284089

0604090

0604090

0294089

0784091

0794091

0402484

0402484

0784092

0794092

0404092

0404092


i 1) > 07/2006	2) 08/2006 >
-----------------------	--------------

OCAP	O.E.		i	
0284089	56820-3K010	TESTA STERZO TIE ROD END		RHT M16x1,5
0294089	56820-3K000	TESTA STERZO TIE ROD END		RHT M16x1,5
0402484	54403-38A00	SNODO SOSPENSIONE - SUPERIORE BALL JOINT - UPPER	1)	
0404092	54430-3F600	SNODO SOSPENSIONE - SUPERIORE BALL JOINT - UPPER	2)	
0604090	57724-3K000	SNODO ASSIALE AXIAL JOINT		RHT M16x1,5
0784091	54420-3K000	BRACCIO OSCILLANTE - SUPERIORE TRACK CONTROL ARM - UPPER	1)	
0784092	54420-3F600	BRACCIO OSCILLANTE - SUPERIORE TRACK CONTROL ARM - UPPER	2)	
0794091	54410-3K000	BRACCIO OSCILLANTE - SUPERIORE TRACK CONTROL ARM - UPPER	1)	
0794092	54410-3F600	BRACCIO OSCILLANTE - SUPERIORE TRACK CONTROL ARM - UPPER	2)	

DESTRO
RIGHT



SINISTRO
LEFT

SONATA V

NF

01/2005 >

Asse Anteriore



Front Axle

0404093



0784093



0794093



0404093



0504094



0504094



Asse Posteriore



Rear Axle

0504095



0504095



OCAP	O.E.			
0404093	51760-3K000	SNODO SOSPENSIONE - INFERIORE BALL JOINT - LOWER		
0504094	54830-3L000	STABILIZZATORE STABILIZER LINK		
0504095	55530-3K001	STABILIZZATORE STABILIZER LINK		
0784093	54501-3K000	BRACCIO OSCILLANTE - INFERIORE TRACK CONTROL ARM - LOWER		
0794093	54500-3K000	BRACCIO OSCILLANTE - INFERIORE TRACK CONTROL ARM - LOWER		

DESTRO
RIGHT



SINISTRO
LEFT

TERRACAN

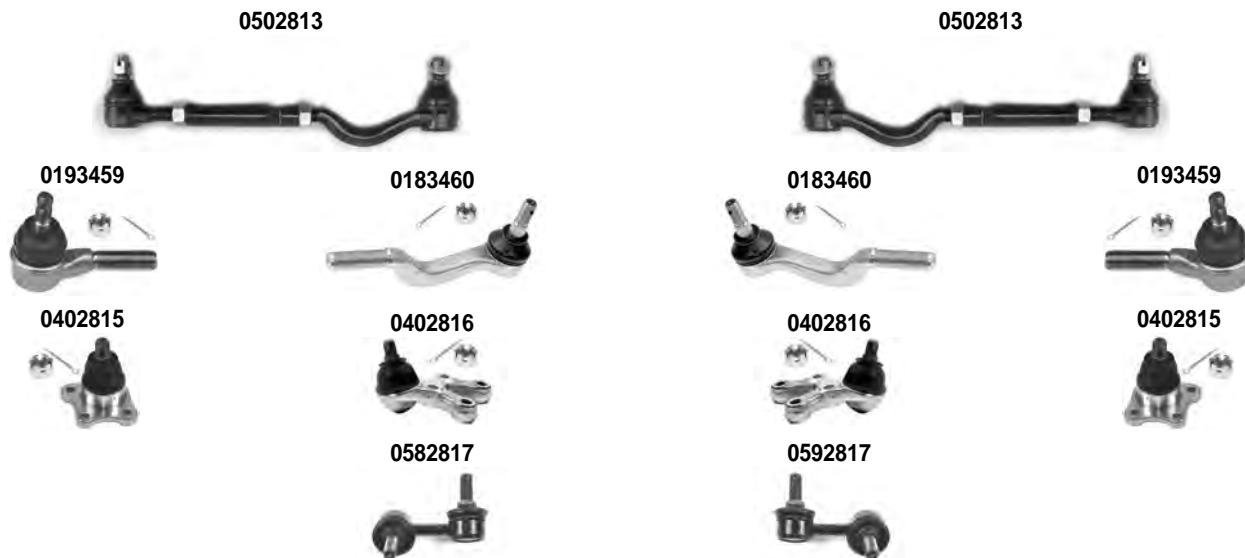
HP

06/2001 >

Asse Anteriore



Front Axle



OCAP	O.E.		
0183460	HB568110	TESTA STERZO - INTERNA TIE ROD END - INNER	RHT M16x1,5
0193459	HB568120	TESTA STERZO - ESTERNA TIE ROD END - OUTER	RHT M16x1,5
0402815	54440-H1000	SNODO SOSPENSIONE - SUPERIORE BALL JOINT - UPPER	
0402816	54550-H1000	SNODO SOSPENSIONE - INFERIORE BALL JOINT - LOWER	
0502813	56850-H1011	BARRA STERZO TIE ROD	
0582817	54823-H1000	STABILIZZATORE STABILIZER LINK	
0592817	54822-H1000	STABILIZZATORE STABILIZER LINK	

DESTRO
RIGHT



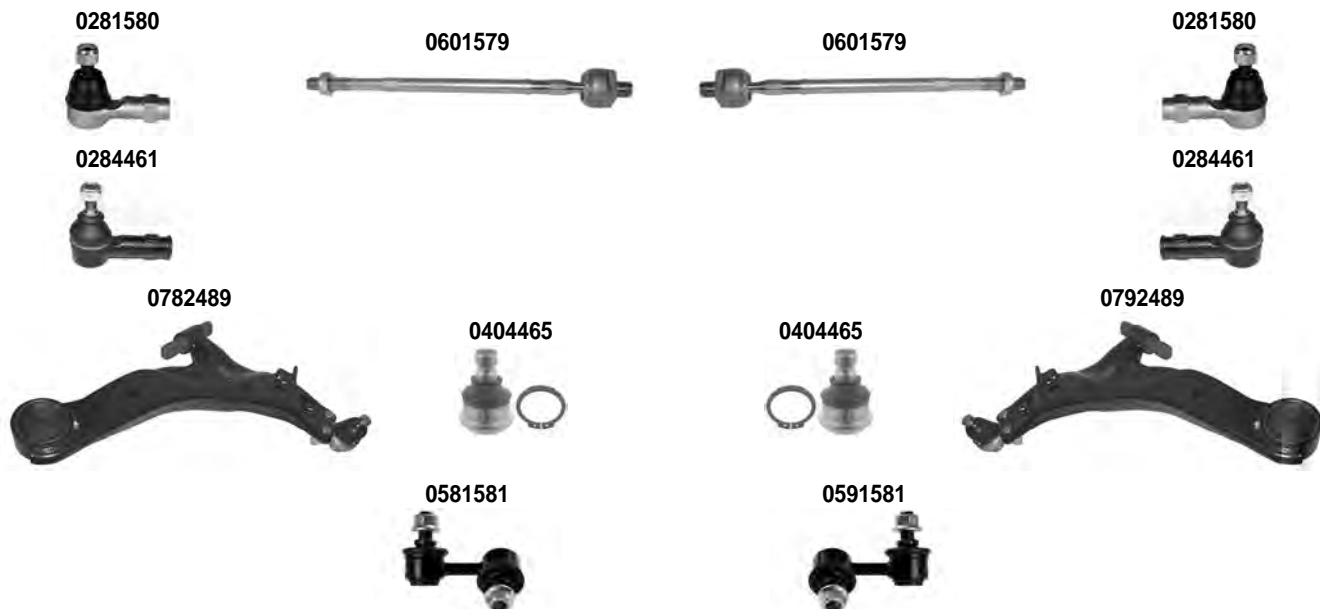
SINISTRO
LEFT

TRAJET	FO	2000 >
--------	----	--------

Asse Anteriore



Front Axle



i 1) LHD 3) > 02/2004	2) RHD
---------------------------------	--------

OCAP	O.E.		i	
0281580	57780-3B000	TESTA STERZO TIE ROD END	1)	RHT M14x1,5
0284461	56820-3B000	TESTA STERZO TIE ROD END	2)	RHT M14x1,5
0404465	54530-3B000	SNODO SOSPENSIONE - INFERIORE BALL JOINT - LOWER	3)	
0581581	54840-3A000	STABILIZZATORE STABILIZER LINK		
0591581	54830-3A000	STABILIZZATORE STABILIZER LINK		
0601579	57716-34000	SNODO ASSIALE AXIAL JOINT		RHT M14x1,5
0782489	54502-3A100	BRACCIO OSCILLANTE - INFERIORE TRACK CONTROL ARM - LOWER	3)	
0792489	54501-3A100	BRACCIO OSCILLANTE - INFERIORE TRACK CONTROL ARM - LOWER	3)	

DESTRO
RIGHT



SINISTRO
LEFT

TUCSON

JM

08/2004 >

Asse Anteriore



Front Axle

0282496



0602497



0602497



0292496



0402498



0402498



0782498



0792498



0502499



0502499



Asse Posteriore



Rear Axle

0502525



0502525



OCAP	O.E.		
0282496	56820-2E900	TESTA STERZO TIE ROD END	RHT M16x1,5
0292496	56820-2E000	TESTA STERZO TIE ROD END	RHT M16x1,5
0402498	51760-2E000	SNODO SOSPENSIONE - INFERIORE BALL JOINT - LOWER	
0502499	54830-2E000	STABILIZZATORE STABILIZER LINK	
0502525	55530-2E000	STABILIZZATORE STABILIZER LINK	
0602497	57724-2E000	SNODO ASSIALE AXIAL JOINT	RHT M16x1,5
0782498	54501-1F100	BRACCIO OSCILLANTE - INFERIORE TRACK CONTROL ARM - LOWER	
0792498	54500-1F100	BRACCIO OSCILLANTE - INFERIORE TRACK CONTROL ARM - LOWER	

DESTRO
RIGHT

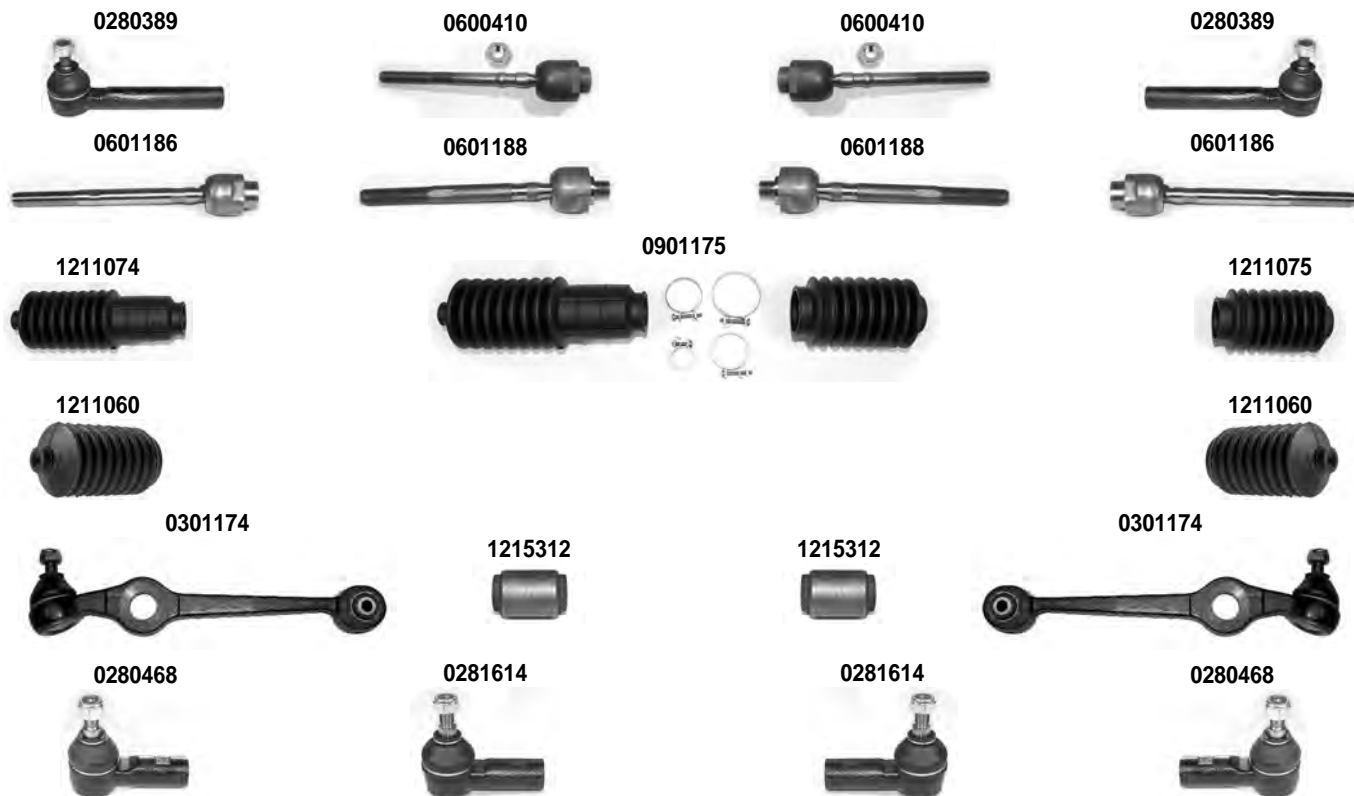


SINISTRO
LEFT

ELBA	1992 >
------	--------

Asse Anteriore

Front Axle



i 1) > 01/1992 3) SERVOSTERZO - POWER STEERING 5) > CH. 3913038	2) 02/1992 > 12/1992 4) STERZO MANUALE -MANUAL STEERING 6) CH. 3913039 >
--	--

OCAP	O.E.		i	
0280389	50006262	TESTA STERZO TIE ROD END		RHT M14x1,5
0280468	7693816	SNODO BARRA STABILIZZATRICE SUSPENSION JOINT STABILIZING BAR	5)	RHT M16x1,5
0281614	7524715	SNODO BARRA STABILIZZATRICE SUSPENSION JOINT STABILIZING BAR	6)	RHT M18x1,5
0301174	7674825	BRACCIO OSCILLANTE TRACK CONTROL ARM		
0600410	7074037	SNODO ASSIALE AXIAL JOINT	1)	RHT M14x1,5
0601186	7076231	SNODO ASSIALE AXIAL JOINT	2)	RHT M14x1,5
0601188	7077206	SNODO ASSIALE AXIAL JOINT	3)	RHT M14x1,5
0901175	-	KIT CUFFIE STERZO STEERING GAITER KIT	4)	
1211060	7075793	CUFFIA STERZO STEERING GAITER	3)	
1211074	7583243	CUFFIA STERZO STEERING GAITER	4)	
1211075	5978637	CUFFIA STERZO STEERING GAITER	4)	
1215312	7674701	SILENTBLOCK BUSHING		

DESTRO
RIGHT

 SINISTRO
LEFT

JM3 - J4 - J5
MINIMINOR - 90 - 120 DE TOMASO
NEW MINI 3 CILINDER

 > 1980
 1980 >
 1980 >

Asse Anteriore



Front Axle

0280702

0280702

0280293

0600408

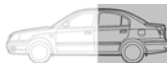
0600408

0280293

0401218

0401218


Asse Posteriore



Rear Axle

0401218

0401218

i 1) SOLO PER - ONLY FOR: JM3 - J4 - J5 - MINIMINOR - 90 - 120 DE TOMASO 2) SOLO PER - ONLY FOR: NEW MINI 3 CILINDER

OCAP	O.E.		i	
0280293	4402277	TESTA STERZO TIE ROD END	1)	RHT M14x1
0280702	34782107	TESTA STERZO TIE ROD END	2)	RHT 1/2" x20 UNF
0401218	38662110	SNODO SOSPENSIONE BALL JOINT	1)	
0600408	4318655	SNODO ASSIALE AXIAL JOINT	2)	RHT M14x1

DESTRO
RIGHT



SINISTRO
LEFT

DAILY - 30.8 > 59.12

I - II

1978 > 05/1999

Asse Anteriore



Front Axle

0280515



0600516



0280517



0400518



0287552



0606927



0286616



0287552



0606927



0286616



0280515



0600516



0280517



0400518



i 1) MOD. : 35S9/10/11/12/13/15 35C9/10/11/12/13/15-50C11/13/15 65C11/13/15-29L10/12 40C13-50C13-50C15 2) MOD.: Restyling: 40-8/35-10/45-10/49-10/A45-10/A49-10 New Daily: 35-10/45-10/49-10 Turbodayly: 35-12/49-12/A45-12 Turbodayly (96): 59-12 Daily CNG: 59-11

OCAP	O.E.		i	
0280515	1903652	TESTA STERZO TIE ROD END		RHT M16x1,5
0280517	93802209	TESTA BARRA SOSPENSIONE SUSPENSION JOINT		RHT M20x1,5
0286616	500337201	TESTA BARRA SOSPENSIONE SUSPENSION JOINT	2)	RHT M20x1,5
0287552	42534911	TESTA STERZO TIE ROD END	1)	RHT M16x1,5
0400518	93807545	SNODO SOSPENSIONE SUPERIORE - INFERIORE BALL JOINT UPPER - LOWER		
0600516	9983325	SNODO ASSIALE AXIAL JOINT		RHT M16x1,5
0606927	7820249212	SNODO ASSIALE AXIAL JOINT		RHT M16x1,5

DESTRO
RIGHT



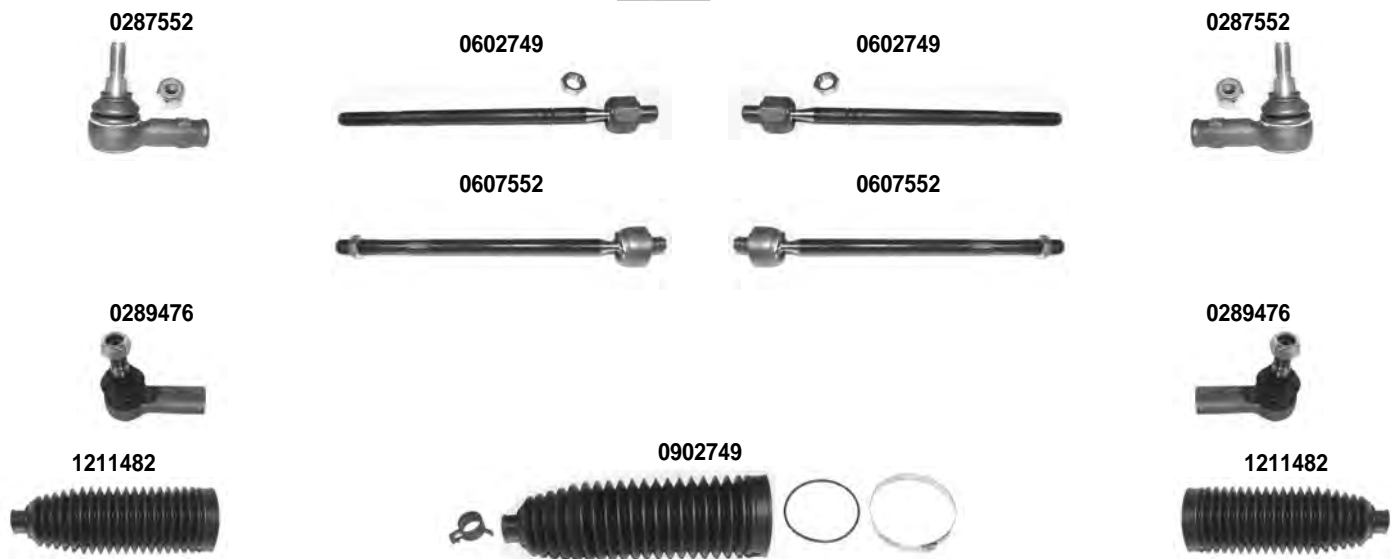
SINISTRO
LEFT

DAILY	III	05/1999 > 2009
	IV	05/2006 > 08/2011
	V	09/2011 > 02/2014

Asse Anteriore



Front Axle



i 1) MOD. SUD AMERICA

OCAP	O.E.		i	
0287552	42534911	TESTA STERZO TIE ROD END		RHT M16x1,5
0289476	500053864	TESTA STERZO TIE ROD END	1)	RHT M18x1,5
0602749	2992593	SNODO ASSIALE AXIAL JOINT		RHT M16x1,5 L=367 mm.
0607552	42532977	SNODO ASSIALE AXIAL JOINT		RHT M16x1,5 L=348 mm.
0902749	2992592	KIT CUFFIA STERZO STEERING GAITER KIT		
1211482	-	CUFFIA STERZO STEERING GAITER		

DESTRO
RIGHT

 SINISTRO
LEFT

DAILY

 III
IV
V



 05/1999 > 2009
05/2006 > 08/2011
09/2011 > 02/2014

Asse Anteriore



Front Axle


i 2) MOD: 35S9/10/11/12/13/15 35C9/10/11/12/13/15 - 29L10/12

OCAP	O.E.		i	
0407249	500379802 *	SNODO SOSPENSIONE - SUPERIORE SUSPENSION JOINT - UPPER	2)	
0407250	500334716 *	SNODO SOSPENSIONE - INFERIORE SUSPENSION JOINT - LOWER	2)	
0787249	500379802	BRACCIO OSCILLANTE - SUPERIORE TRACK CONTROL ARM - UPPER	2)	
0787250	500334716	BRACCIO OSCILLANTE - INFERIORE TRACK CONTROL ARM - LOWER	2)	
0797249	500379801	BRACCIO OSCILLANTE - SUPERIORE TRACK CONTROL ARM - UPPER	2)	
0797250	500334717	BRACCIO OSCILLANTE - INFERIORE TRACK CONTROL ARM - LOWER	2)	
1215953	504039506	SILENTBLOCK BUSHING	2)	

DESTRO
RIGHT



SINISTRO
LEFT

DAILY	III	05/1999 > 2009
	IV	05/2006 > 08/2011
	V	09/2011 > 02/2014

Asse Anteriore



Front Axle

0407893



0903144



0407893



0407894



0407894



1215951



1215952



1215269



1215271



1215270



0587871



0280517



0280517



0597871



i	2) MOD: 35S9/10/11/12/13/15 35C9/10/11/12/13/15 - 29L10/12	3) MOD. RESTYLING: 30-8 - 35-8 - 40-8 - 35-10 - 45-10 - 49-10 - 40-10 4X4 - NEW DAILY: 40-10 4X4 - 40-10 4X4 T. DAILY 96 - 40-10 VM
	4) MOD. RESTYLING: 49-10 - NEW DAILY: 30-8 > 35-12 - TURBODAILY: 30-10 > 35-12	
	6) 05/2006 >	
	5) MOD. 9 t >	

OCAP	O.E.		i	
0280517	93802209	TESTA BARRA SOSPENSIONE SUSPENSION JOINT		RHT M20x1,5
0407893	504212586	SNODO SOSPENSIONE BALL JOINT		
0407894	5801378064	SNODO SOSPENSIONE BALL JOINT	5) 6)	
0587871	500383975	STABILIZZATORE STABILIZER LINK	1)	
0597871	500383976	STABILIZZATORE STABILIZER LINK	1)	
0903144	504039506 *	KIT RIPARAZIONE REPAIRING KIT	2)	
1215269	93807641	SILENTBLOCK - SUPERIORE BUSHING - UPPER	4)	DIAM. 32 mm.
1215270	93807640	SILENTBLOCK - INFERIORE BUSHING - LOWER		DIAM. 29 mm.
1215271	93810239	SILENTBLOCK - SUPERIORE BUSHING - UPPER	4)	DIAM. 37 mm.
1215951	1391347	SILENTBLOCK - SUPERIORE BUSHING - UPPER	3)	
1215952	1391348	SILENTBLOCK - SUPERIORE BUSHING - UPPER	2)	

DESTRO
RIGHT

 SINISTRO
LEFT

DAILY

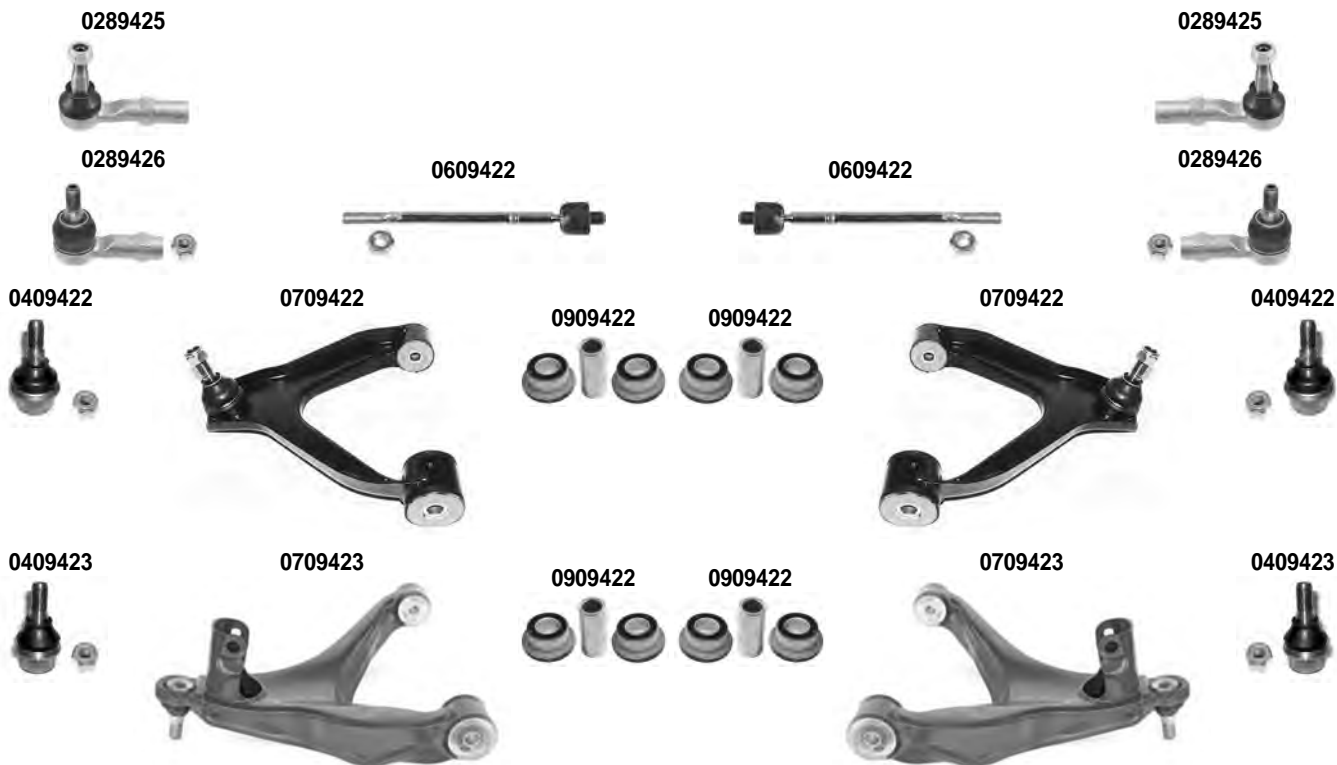
VI

03/2014 >

Asse Anteriore



Front Axle



i 1) MODELLI SENZA STABILIZZATORE - WITHOUT STABILIZER MODELS			i 2) MODELLI CON STABILIZZATORE - WITH STABILIZER MODELS	
OCAP	O.E.		i	
0289425	42569563	TESTA STERZO TIE ROD END	1)	RHT M16x1,5 L=109 mm.
0289426	42569562	TESTA STERZO TIE ROD END	2)	RHT M16x1,5 L=87 mm.
0409422	5801564293 *	SNODO SOSPENSIONE - SUPERIORE SUSPENSION JOINT - UPPER		
0409423	5801564316 *	SNODO SOSPENSIONE - INFERIORE SUSPENSION JOINT - LOWER		
0609422	42569566	SNODO ASSIALE AXIAL JOINT		RHT M16x1,5 L=348
0709422	5801564293	BRACCIO OSCILLANTE - SUPERIORE - LAMIERA TRACK CONTROL ARM - UPPER - SHEET METAL		
0709423	5801564316	BRACCIO OSCILLANTE - INFERIORE - LAMIERA TRACK CONTROL ARM - LOWER - SHEET METAL		
0909422	5801564281	SILENTBLOCK BUSHING		

DESTRO
RIGHT

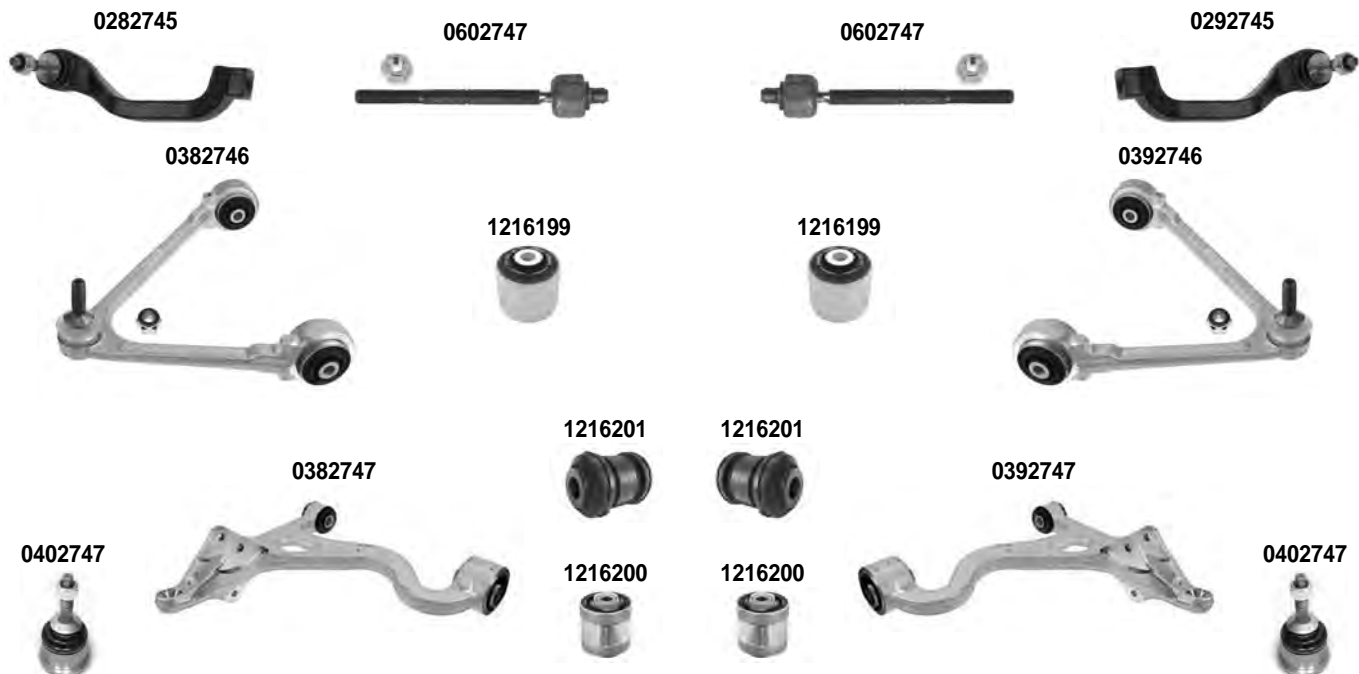


SINISTRO
LEFT

S-TYPE	CCX (> CH. M45254)	1999 > 04/2002
--------	--------------------	----------------

Asse Anteriore

Front Axle



OCAP	O.E.			
0282745	XR81770	TESTA STERZO TIE ROD END		RHT M14x1,5
0292745	XR81771	TESTA STERZO TIE ROD END		RHT M14x1,5
0382746	XR856012	BRACCIO OSCILLANTE - SUPERIORE - ALLUMINIO TRACK CONTROL ARM - UPPER - ALUMINIUM		
0382747	XR851824	BRACCIO OSCILLANTE - INFERIORE - ALLUMINIO TRACK CONTROL ARM - LOWER - ALUMINIUM		
0392746	XR856013	BRACCIO OSCILLANTE - SUPERIORE - ALLUMINIO TRACK CONTROL ARM - UPPER - ALUMINIUM		
0392747	XR851825	BRACCIO OSCILLANTE - INFERIORE - ALLUMINIO TRACK CONTROL ARM - LOWER - ALUMINIUM		
0402747	XR851824 *	SNODO SOSPENSIONE - INFERIORE BALL JOINT - LOWER		
0602747	C2C29620	SNODO ASSIALE AXIAL JOINT		RHT M14x1,5
1216199	XR856012 *	SILENTBLOCK BUSHING		
1216200	JLM21535	SILENTBLOCK ESTREMO OUTER BUSHING		
1216201	-	SILENTBLOCK CENTRALE CENTRAL BUSHING		

DESTRO
RIGHT



SINISTRO
LEFT

S-TYPE

CCX (> CH. M45254)

1999 > 04/2002

Asse Anteriore



Front Axle

0502747



1214289



1214289



0502747



Asse Posteriore



Rear Axle

0589278



0599278





0502399



0502399



OCAP	O.E.		
0502399	XR813478	BARRA SOSPENSIONE SUSPENSION BAR	L = 492 mm.
0502747	XR827071	STABILIZZATORE STABILIZER LINK	
0589278	XR8-1692	STABILIZZATORE STABILIZER LINK	
0599278	XR8-1693	STABILIZZATORE STABILIZER LINK	
1214289	XR819697	GOMMINO BARRA STABILIZZATRICE STABILIZING BAR BUSHING	DIAM. 30 mm.

DESTRO
RIGHT



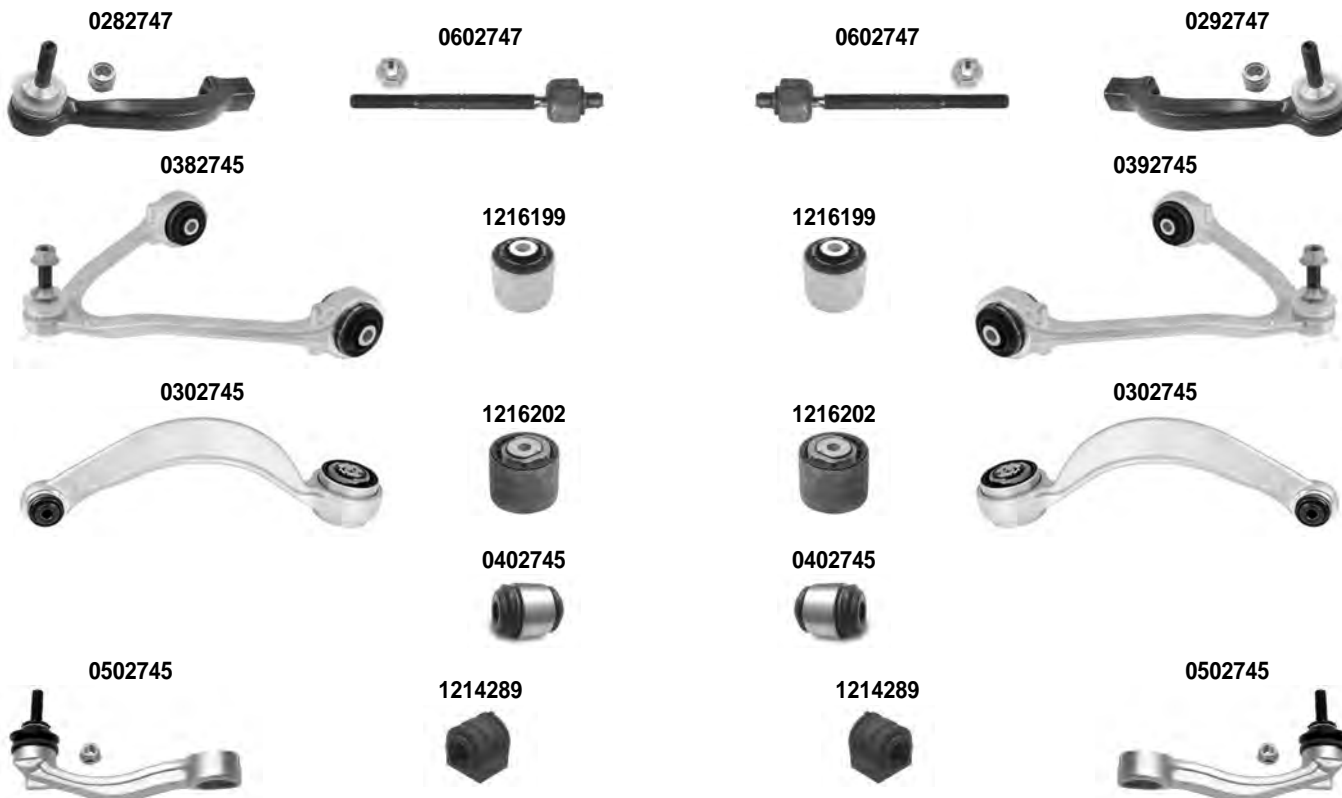
SINISTRO
LEFT

S-TYPE	CCX (CH. M45255 >)	04/2002 > 05/2008
--------	--------------------	-------------------

Asse Anteriore



Front Axle



OCAP	O.E.			
0282747	C2C20176	TESTA STERZO TIE ROD END		RHT M14x1,5
0292747	C2C20177	TESTA STERZO TIE ROD END		RHT M14x1,5
0302745	C2C36868	BRACCIO OSCILLANTE - INFERIORE - ALLUMINIO TRACK CONTROL ARM - LOWER - ALUMINIUM		
0382745	XR857652	BRACCIO OSCILLANTE - SUPERIORE - ALLUMINIO TRACK CONTROL ARM - UPPER - ALUMINIUM		
0392745	XR857653	BRACCIO OSCILLANTE - SUPERIORE - ALLUMINIO TRACK CONTROL ARM - UPPER - ALUMINIUM		
0402745	C2C36866	SNODO SOSPENSIONE - INFERIORE BALL JOINT - LOWER		
0502745	C2C39468	STABILIZZATORE STABILIZER LINK		
0602747	C2C29620	SNODO ASSIALE AXIAL JOINT		RHT M14x1,5
1214289	XR819697	GOMMINO BARRA STABILIZZATRICE STABILIZING BAR BUSHING		DIAM. 30 mm.
1216199	XR856012 *	SILENTBLOCK BUSHING		
1216202	C2C36029	SILENTBLOCK BUSHING		

DESTRO
RIGHT



SINISTRO
LEFT

S-TYPE

CCX (CH. M45255 >)

04/2002 > 05/2008

Asse Posteriore



Rear Axle



OCAP	O.E.			
0502746	C2C1802	BARRA SOSPENSIONE SUSPENSION BAR		L = 512 mm.
0589278	XR8-1692	STABILIZZATORE STABILIZER LINK		
0599278	XR8-1693	STABILIZZATORE STABILIZER LINK		

DESTRO
RIGHT



SINISTRO
LEFT

X-TYPE	X4000	06/2001 > 2009
--------	-------	----------------

Asse Anteriore



Front Axle



i 1) > 09/2002	2) 09/2002 >
-----------------------	--------------

OCAP	O.E.		i	
0281771	C2S12013	TESTA STERZO TIE ROD END		RHT M16x1,5
0401776	C2S39661 *	SNODO SOSPENSIONE - INFERIORE BALL JOINT - LOWER		
0501535	C2S39552	STABILIZZATORE STABILIZER LINK	2)	
0501774	C2S3248	STABILIZZATORE STABILIZER LINK	1)	
0781773	C2S39661	BRACCIO OSCILLANTE - INFERIORE TRACK CONTROL ARM - LOWER		
0791773	C2S39662	BRACCIO OSCILLANTE - INFERIORE TRACK CONTROL ARM - LOWER		
1215524	1522130S	SILENTBLOCK CENTRALE CENTRAL BUSHING		
1215525	1522081S	SILENTBLOCK ESTREMO OUTER BUSHING		

DESTRO
RIGHT

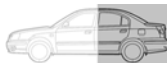
 SINISTRO
LEFT

X-TYPE

X4000

06/2001 > 2009

Asse Posteriore



Rear Axle

0502748

0709260

0709260

0502748

0702285

0702272

0702272




0702285

1216414

0708663

0708663

1216414


OCAP	O.E.			
0502748	C2S40709	STABILIZZATORE STABILIZER LINK		
0702272	1S715K743AB	BARRA SOSPENSIONE SUSPENSION BAR		
0702285	1S715K898AF	BARRA SOSPENSIONE SUSPENSION BAR		
0708663	1214290	BRACCIO SOSPENSIONE CONTROL ARM		
0709260	C2S50863	BARRA SOSPENSIONE SUSPENSION BAR		
1216414	6829046	SILENTBLOCK BUSHING		

XF

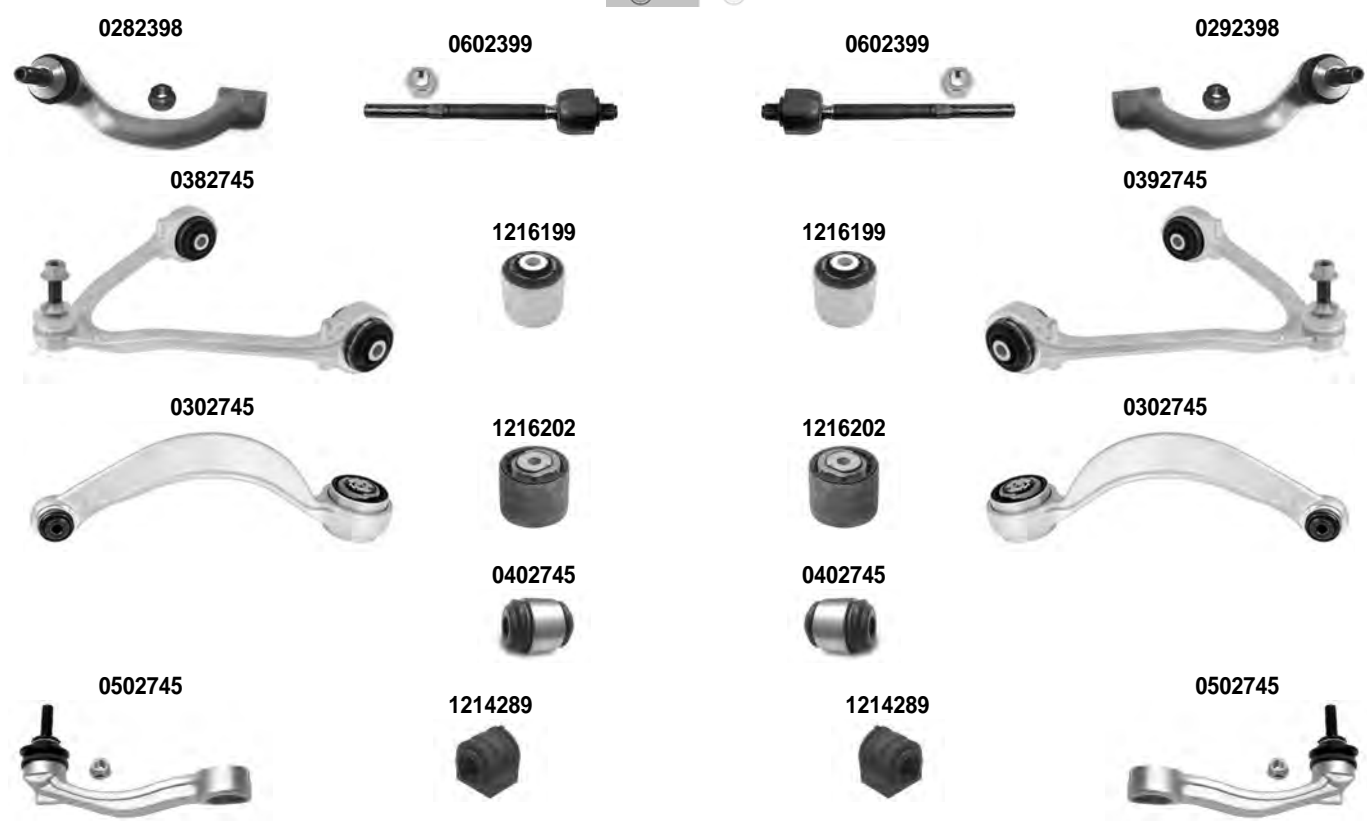
DESTRO
RIGHT



SINISTRO
LEFT

XF	X250	03/2008 > 04/2015
XF	X260	05/2015 >

Asse Anteriore Front Axle



OCAP	O.E.		i	
0282398	C2Z5517	TESTA STERZO TIE ROD END		RHT M14x1,5
0292398	C2Z5518	TESTA STERZO TIE ROD END		RHT M14x1,5
0302745	C2C36868	BRACCIO OSCILLANTE - INFERIORE - ALLUMINIO TRACK CONTROL ARM - LOWER - ALUMINIUM		
0382745	XR857652	BRACCIO OSCILLANTE - SUPERIORE - ALLUMINIO TRACK CONTROL ARM - UPPER - ALUMINIUM		
0392745	XR857653	BRACCIO OSCILLANTE - SUPERIORE - ALLUMINIO TRACK CONTROL ARM - UPPER - ALUMINIUM		
0402745	C2C36866	SNODO SOSPENSIONE - INFERIORE BALL JOINT - LOWER		
0502745	C2C39468	STABILIZZATORE STABILIZER LINK		
0602399	C2Z2215	SNODO ASSIALE AXIAL JOINT		RHT M14x1,5
1214289	XR819697	GOMMINO BARRA STABILIZZATRICE STABILIZING BAR BUSHING		DIAM. 30 mm.
1216199	XR856012 *	SILENTBLOCK BUSHING		
1216202	C2C36029	SILENTBLOCK BUSHING		

DESTRO
RIGHT



SINISTRO
LEFT

X
H

XF	X250	03/2008 > 04/2015
XF	X260	05/2015 >

Asse Posteriore



Rear Axle

0589278



0599278



i 1) ECCETTO - EXCEPT: MOD. X260

OCAP	O.E.		i	
0589278	XR8-1692	STABILIZZATORE STABILIZER LINK	1)	
0599278	XR8-1693	STABILIZZATORE STABILIZER LINK	1)	

DESTRO
RIGHT



SINISTRO
LEFT

XJ6
XJ12

10/1968 > 09/1985
02/1976 > 09/1985

Asse Anteriore



Front Axle

0282396



0402398



0282397



0402399



0282397



0402399



0282396



0402398



i 1) > 1979	2) 1980 >
--------------------	-----------

OCAP	O.E.		i	
0282396	GSJ147	TESTA STERZO TIE ROD END	1)	RHT 5/8"x18
0282397	JLM1098	TESTA STERZO TIE ROD END	2)	RHT M14x1,5
0402398	C15890	SNODO SOSPENSIONE - SUPERIORE BALL JOINT - UPPER		
0402399	CAC9937	SNODO SOSPENSIONE - INFERIORE BALL JOINT - LOWER		

DESTRO
RIGHT

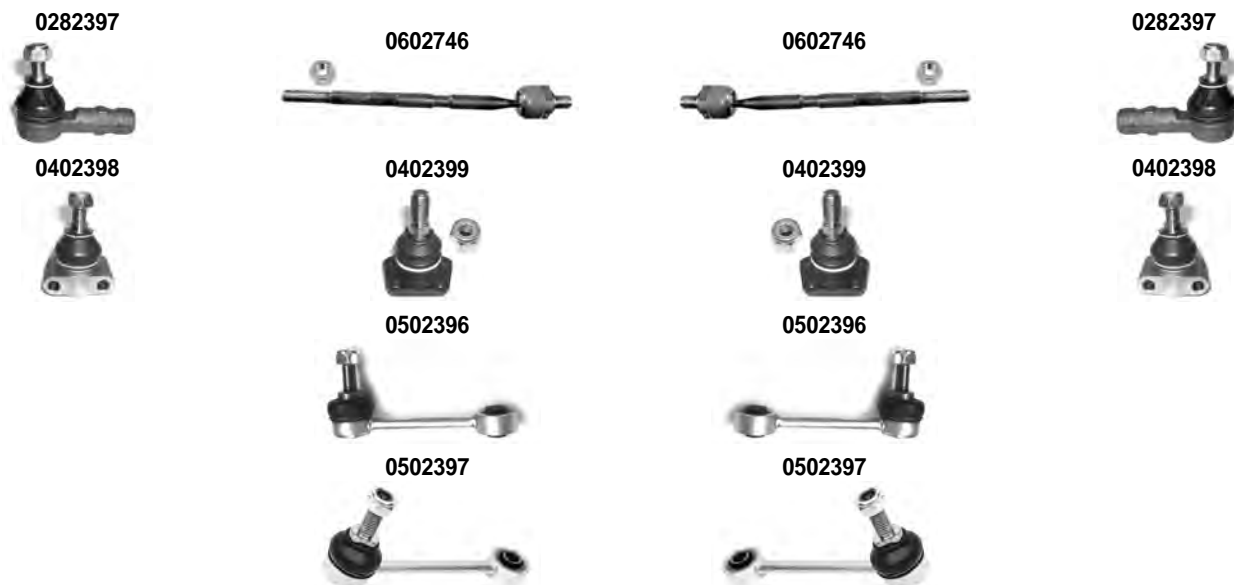
 SINISTRO
LEFT

XJ6 XJ8 XJ12 XK8 CONVERTIBILE - XK8 COUPE	QDV - QEV	10/1985 > 1997 1997 > 2003 10/1985 > 1996 > 07/2005
--	-----------	--

Asse Anteriore



Front Axle



i 1) ECCEPPO - EXCEPT: MOD. XK8 3) CH. 853936 >	2) MOD. XJ6 - XJ8 - XJ12: > CH. 853935
---	--

OCAP	O.E.		
0282397	JLM1098	TESTA STERZO TIE ROD END	RHT M14x1,5
0402398	C15890	SNODO SOSPENSIONE - SUPERIORE BALL JOINT - UPPER	1)
0402399	CAC9937	SNODO SOSPENSIONE - INFERIORE BALL JOINT - LOWER	1)
0502396	MJA2105AG	STABILIZZATORE STABILIZER LINK	2) L = 114 mm.
0502397	MNC2105AA	STABILIZZATORE STABILIZER LINK	1) 3) L = 139 mm.
0602746	JLM1097	SNODO ASSIALE AXIAL JOINT	1) RHT M14x1,5

rx

DESTRO
RIGHT



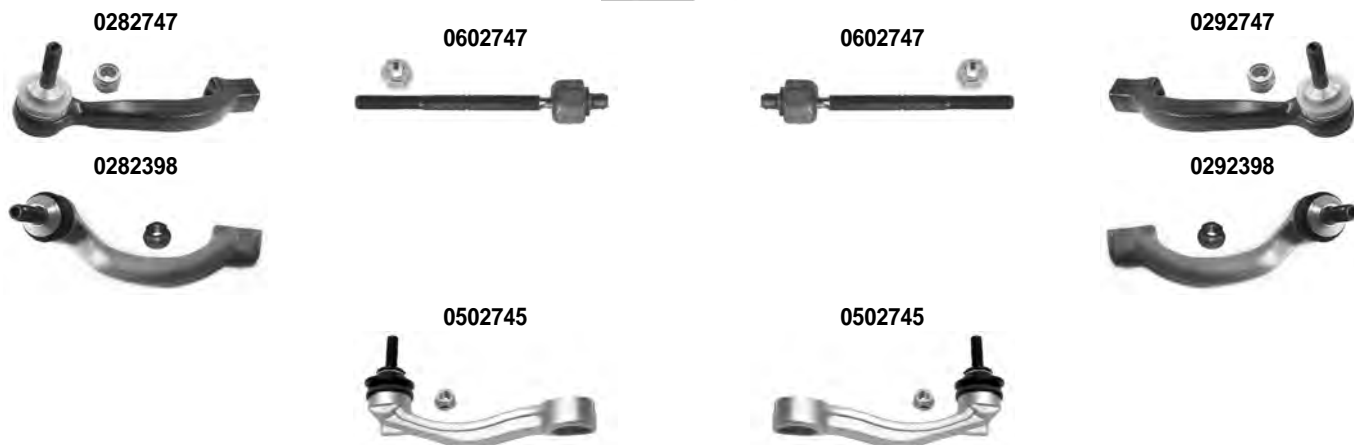
SINISTRO
LEFT

XJ XK CABRIOLET XK COUPE'	X350 - X358 J43 J43	05/2003 > 2009 03/2006 > 03/2006 >
---------------------------------	---------------------------	--

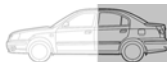
Asse Anteriore



Front Axle



Asse Posteriore



Rear Axle



i 1) SOLO PER - ONLY FOR: MOD. XK - CH. B32753 >	2) ECCEPTE - EXCEPT: MOD. XK
---	------------------------------

OCAP	O.E.		i	
0282398	C2Z5517	TESTA STERZO TIE ROD END	1)	RHT M14x1,5
0282747	C2C20176	TESTA STERZO TIE ROD END		RHT M14x1,5
0292398	C2Z5518	TESTA STERZO TIE ROD END	1)	RHT M14x1,5
0292747	C2C20177	TESTA STERZO TIE ROD END		RHT M14x1,5
0502745	C2C39468	STABILIZZATORE STABILIZER LINK		
0502746	C2C1802	BARRA SOSPENSIONE SUSPENSION BAR		
0589278	C2C18571	STABILIZZATORE STABILIZER LINK		
0599278	C2C18572	STABILIZZATORE STABILIZER LINK		
0602747	C2C29620	SNODO ASSIALE AXIAL JOINT	2)	RHT M14x1,5

DESTRO
RIGHT



SINISTRO
LEFT

CHEROKEE

XJ

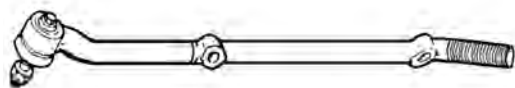
1984 >

Asse Anteriore



Front Axle

0184034



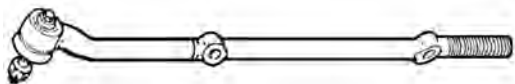
0904026



0194027



0184035



0904026



0194027



0184025



0904025



0194025



i 1) SOLO PER - ONLY FOR: MOD. 4.0

OCAP	O.E.		i	
0184025	52005740	TESTA STERZO TIE ROD END		
0184034	52006592	BARRA STERZO TIE ROD END		
0184035	52005738	BARRA STERZO TIE ROD MOD	1)	
0194025	52005741	TESTA STERZO TIE ROD END		
0194027	52005739	TESTA STERZO TIE ROD END		
0904025	52087674	TUBO COLLEGAMENTO ADJUSTMENT TUBE		
0904026	52005742	TUBO COLLEGAMENTO ADJUSTMENT TUBE		

DESTRO
RIGHT



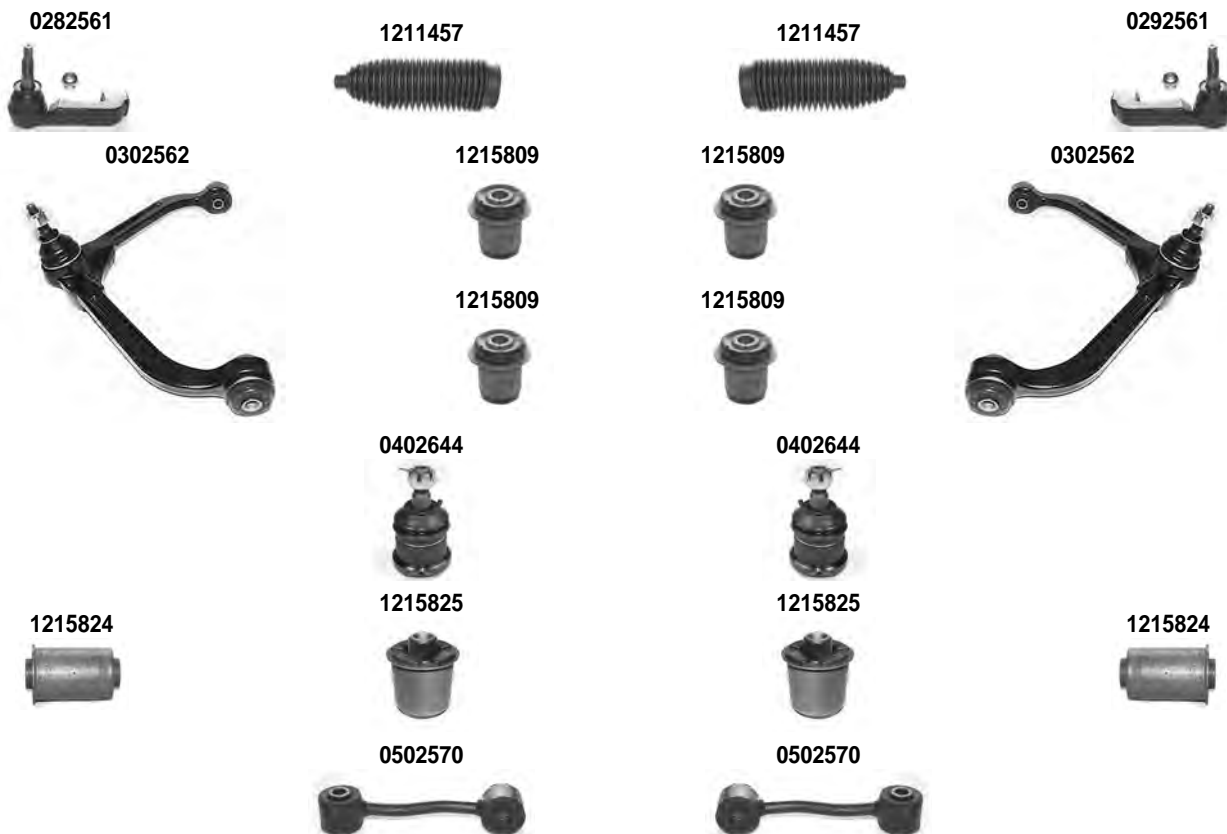
SINISTRO
LEFT

CHEROKEE	KJ	09/2001 > 2007
----------	----	----------------

Asse Anteriore



Front Axle



OCAP	O.E.			
0282561	5072444AA	TESTA STERZO TIE ROD END		
0292561	5072445AA	TESTA STERZO TIE ROD END		
0302562	52088632AC	BRACCIO OSCILLANTE - SUPERIORE TRACK CONTROL ARM - UPPER		
0402644	5114037AJ	SNODO SOSPENSIONE MONTANTE FRONT HUB BALL JOINT		
0502570	52088662AB	STABILIZZATORE STABILIZER LINK		
1211457	05189417AA	CUFFIA STERZO STEERING GAITER		
1215809	52088634AB	SILENTBLOCK BUSHING		
1215824	52088746AA	SILENTBLOCK CENTRALE BRACCIO OSCILLANTE INFERIORE TRACK CONTROL ARM BUSHING - CENTRAL		
1215825	52088649AC	SILENTBLOCK ESTREMO BRACCIO OSCILLANTE INFERIORE TRACK CONTROL ARM BUSHING - OUTER		

DESTRO
RIGHT



SINISTRO
LEFT

CHEROKEE

KK
KL

01/2008 >
11/2013 >

Asse Anteriore



Front Axle

0282562



0602562



0602562



0292562



0509262



0509262



Asse Posteriore





Rear Axle

0502562



0502562



OCAP	O.E.		i	
0282562	52125366AA	TESTA STERZO TIE ROD END		RHT M16x1,5
0292562	52125367AA	TESTA STERZO TIE ROD END		RHT M16x1,5
0502562	52125453AA	STABILIZZATORE STABILIZER LINK		
0509262	52125295AC	STABILIZZATORE STABILIZER LINK		
0602562	52109984AH	SNODO ASSIALE AXIAL JOINT		RHT M16x1,5

DESTRO
RIGHT



SINISTRO
LEFT

COMPASS
PATRIOT

MK49
MK74

08/2006 >
02/2007 >

Asse Anteriore



Front Axle



OCAP	O.E.			
0282720	68014944AA	TESTA STERZO TIE ROD END		RHT M14x1,25
0409262	05105040AA *	SNODO SOSPENSIONE - INFERIORE BALL JOINT - LOWER		
0509262	05174185AC	STABILIZZATORE STABILIZER LINK		
0602720	68040224AB	SNODO ASSIALE AXIAL JOINT		RHT M14x1,25
0789262	05105040AA	BRACCIO OSCILLANTE - INFERIORE TRACK CONTROL ARM - LOWER		
0799262	05105041AA	BRACCIO OSCILLANTE - INFERIORE TRACK CONTROL ARM - LOWER		

DESTRO
RIGHT

 SINISTRO
LEFT

GRAND CHEROKEE I

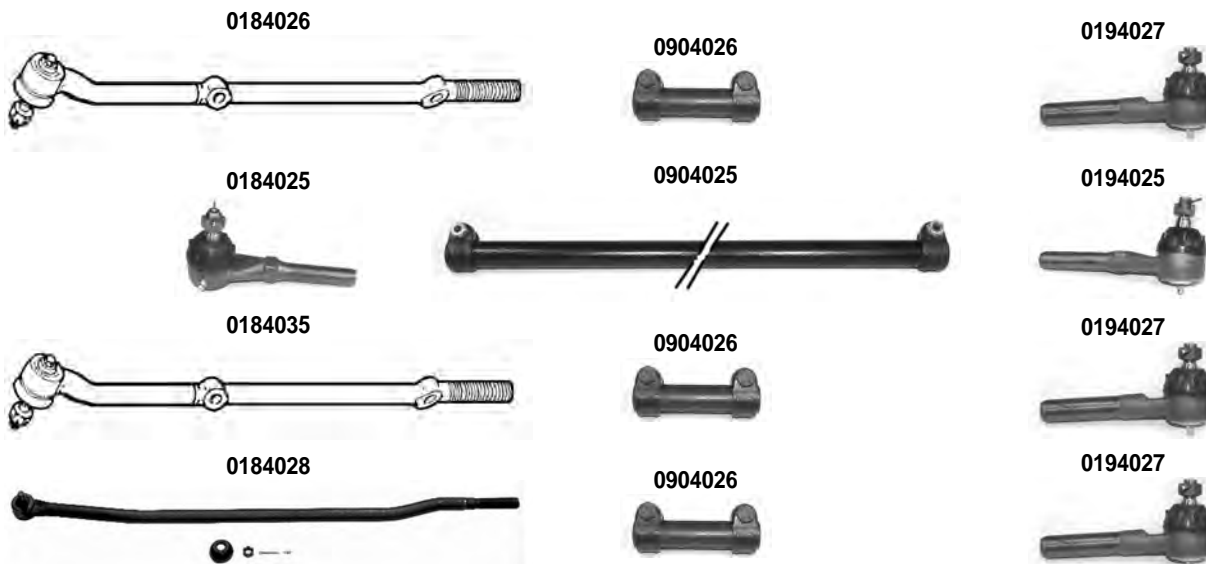
Z

1991 > 04/1999

Asse Anteriore



Front Axle



i 1) SOLO PER MOTORI - ONLY FOR ENGINE: 2.5 - 4.0 2) SOLO PER MOTORI - ONLY FOR ENGINE: 5.2 - 5.9

OCAP	O.E.		i	
0184025	52005740	TESTA STERZO TI ROD END	1)	
0184026	52037994	BARRA STERZO TIE ROD	1)	
0184028	52037996	BARRA STERZO TIE ROD	2)	
0184035	52005738	BARRA STERZO TIE ROD	2)	
0194025	52005741	TESTA STERZO TIE ROD END		
0194027	52005739	TESTA STERZO TIE ROD END		
0904025	52087674	TUBO COLLEGAMENTO ADJUSTMENT TUBE		
0904026	52005742	TUBO COLLEGAMENTO ADJUSTMENT TUBE		

DESTRO
RIGHT



SINISTRO
LEFT

GRAND CHEROKEE II

WJ - WG

04/1999 > 2005

Asse Anteriore



Front Axle

0182645

0902645

0192645



0182646

0902646

0192646



0502647

0502647-K

0502647



Asse Posteriore



Rear Axle

0509265

0509265



OCAP	O.E.			
0182645	K52088461	TESTA STERZO SUPERIORE UPPER TIE ROD END		RHT M24x1,5
0182646	52088870AA	TESTA STERZO INFERIORE LOWER TIE ROD END		RHT M24x1,5
0192645	K52088511	TESTA STERZO SUPERIORE UPPER TIE ROD END		LHT M24x1,5
0192646	52088869AA	TESTA STERZO INFERIORE LOWER TIE ROD END		LHT M24x1,5
0502647	52088283	STABILIZZATORE STABILIZER LINK		
0509265	52088319AB	STABILIZZATORE STABILIZER LINK		
0902645	52088463	TUBO BARRA STERZO SUPERIORE TUBE FOR UPPER TIE ROD		
0902646	52088871AB	TUBO BARRA STERZO INFERIORE TUBE FOR LOWER TIE ROD		
0502647-K	52088283 *	KIT STABILIZZATORE STABILIZER LINK KIT		

DESTRO
RIGHT



SINISTRO
LEFT

GRAND CHEROKEE III

WH

06/2005 > 05/2011

Asse Anteriore



Front Axle

0282572



0292572



0302573



0302573



1215810



1215810



0502579



0502579-K



0502579



Asse Posteriore



Rear Axle

0502580



0502580-K



0502580



OCAP	O.E.			
0282572	05143556AC	TESTA STERZO TIE ROD END		RHT M16x1,5
0292572	05143555AC	TESTA STERZO TIE ROD END		RHT M16x1,5
0302573	52090206AG	BRACCIO OSCILLANTE - SUPERIORE - ACCIAIO TRACK CONTROL ARM - UPPER - STEEL		
0502579	52089467AB	STABILIZZATORE STABILIZER LINK		
0502580	52089486AC	STABILIZZATORE STABILIZER LINK		
1215810	52090206AG *	SILENTBLOCK BUSHING		
0502579-K	52089467AB *	KIT STABILIZZATORE STABILIZER LINK KIT		
0502580-K	52089486AC *	KIT STABILIZZATORE STABILIZER LINK KIT		

DESTRO
RIGHT



SINISTRO
LEFT

RENEGADE

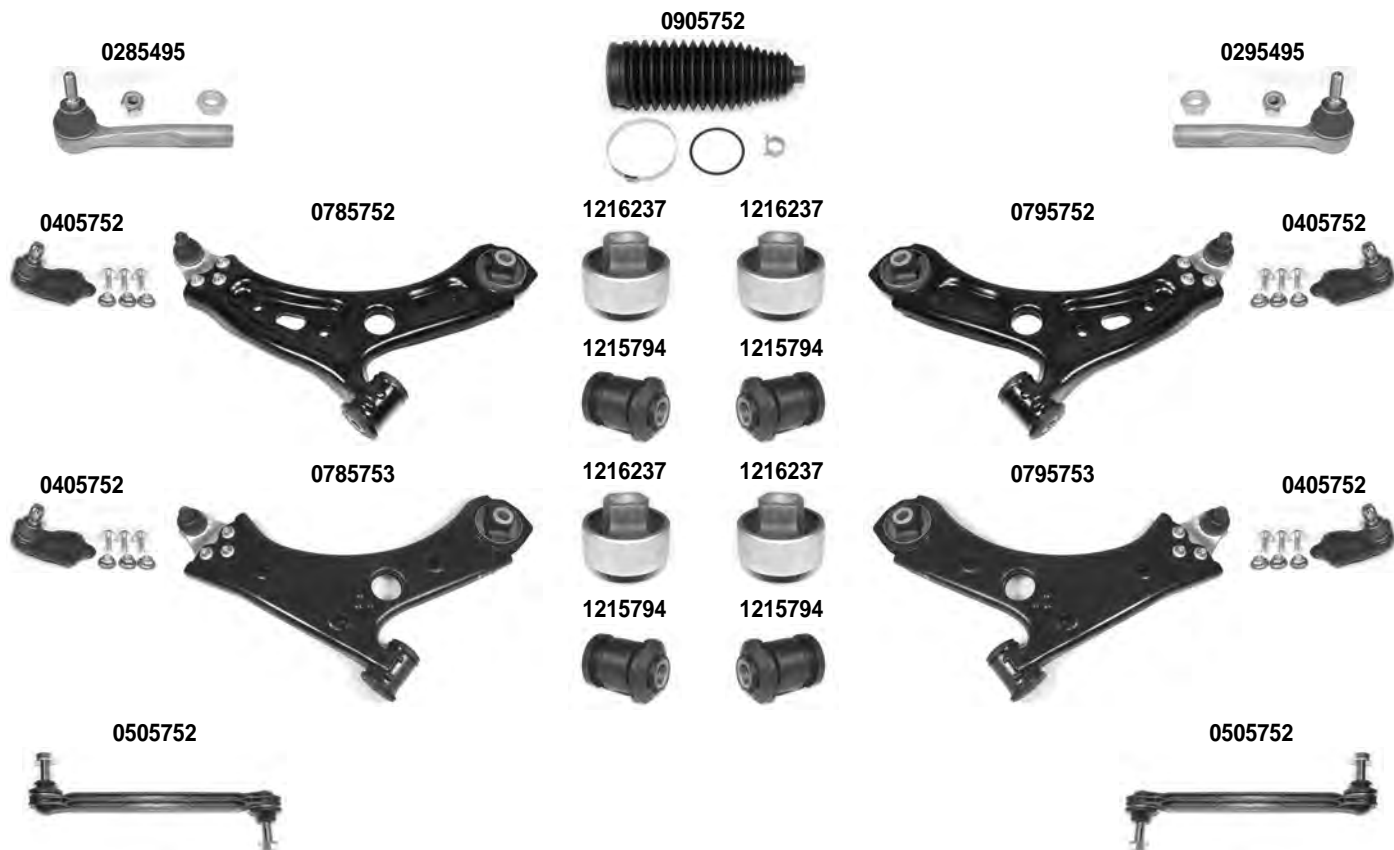
BU

07/2014 >

Asse Anteriore



Front Axle



i 1) 2WD	2) 4WD
-----------------	--------

OCAP	O.E.		
0285495	77366699	TESTA STERZO TIE ROD END	RHT M14x1,5
0295495	77366698	TESTA STERZO TIE ROD END	RHT M14x1,5
0405752	51945321	SNODO SOSPENSIONE BALL JOINT	
0505752	51939949	STABILIZZATORE STABILIZER LINK	
0785752	51959820	BRACCIO OSCILLANTE TRACK CONTROL ARM	1)
0785753	51939751	BRACCIO OSCILLANTE TRACK CONTROL ARM	2)
0795752	51961341	BRACCIO OSCILLANTE TRACK CONTROL ARM	1)
0795753	51939755	BRACCIO OSCILLANTE TRACK CONTROL ARM	2)
0905752	77366697	KIT CUFFIA STERZO STEERING GAITER KIT	
1215794	51983599	SILENTBLOCK CENTRALE CENTRAL BUSHING	
1216237	51939751 **	SILENTBLOCK ESTREMO OUTER BUSHING	

DESTRO
RIGHT



SINISTRO
LEFT

RENEGADE

BU

07/2014 >

Asse Posteriore



Rear Axle

0505754



0505753



0505753



0505754



i 1) 2WD	2) 4WD
-----------------	--------

OCAP	O.E.		i	
0505753	51977024	STABILIZZATORE STABILIZER LINK	1)	
0505754	51942168	STABILIZZATORE STABILIZER LINK	2)	

DESTRO
RIGHT



SINISTRO
LEFT

WRANGLER

1986 > 08/1996

Asse Anteriore



Front Axle

0184029

0904029

0194027



0184025

0904027

0194025



OCAP	O.E.			
0184025	52005740	TESTA STERZO TI ROD END		
0184029	52006602	BARRA STERZO TIE ROD		
0194025	52005741	TESTA STERZO TIE ROD END		
0194027	52005739	TESTA STERZO TIE ROD END		
0904027	52006608	TUBO COLLEGAMENTO ADJUSTMENT TUBE		
0904029	52006606	TUBO COLLEGAMENTO ADJUSTMENT TUBE		

DESTRO
RIGHT



SINISTRO
LEFT

WRANGLER

||

08/1996 > 2007

Asse Anteriore



Front Axle

0185588



0904026



0194025



0184025






0904025



0194027



OCAP	O.E.			
0184025	52005740	TESTA STERZO TI ROD END		
0185588	52087887	TESTA STERZO TIE ROD END		
0194025	52005741	TESTA STERZO TIE ROD END		
0194027	52005739	TESTA STERZO TIE ROD END		
0904025	52087674	TUBO COLLEGAMENTO ADJUSTMENT TUBE		
0904026	52005742	TUBO COLLEGAMENTO ADJUSTMENT TUBE		

DESTRO
RIGHT



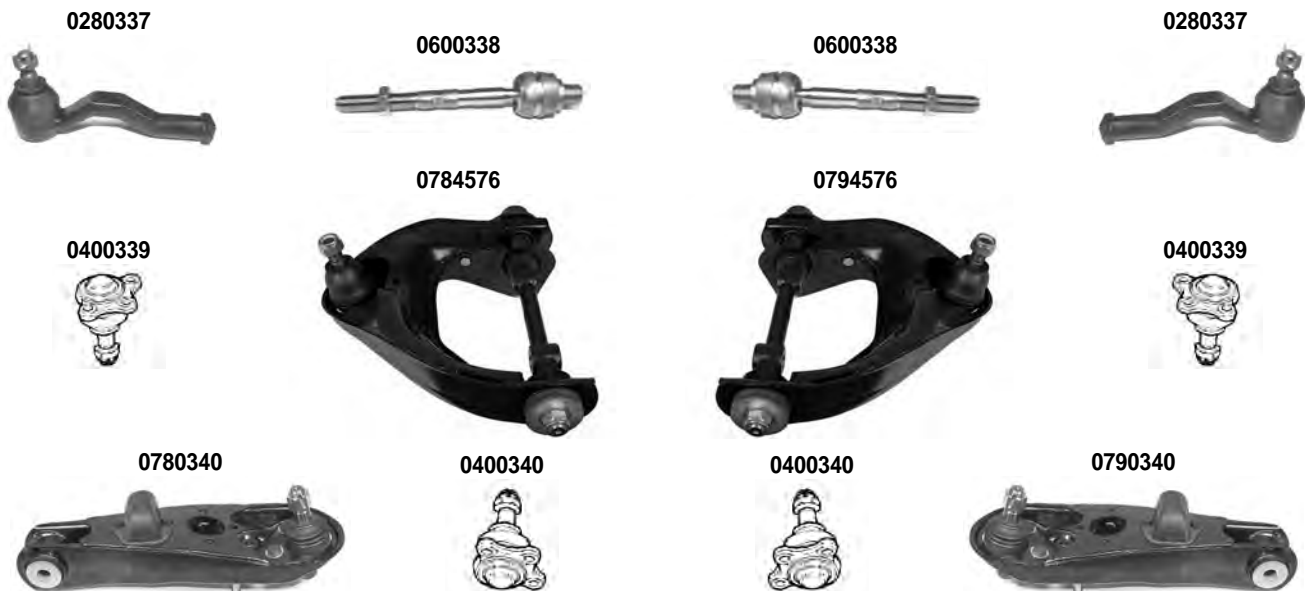
SINISTRO
LEFT

BESTA		1996 >
-------	--	--------

Asse Anteriore



Front Axle



OCAP	O.E.		i	
0280337	S083-99-324	TESTA STERZO TIE ROD END		RHT M14x1,5
0400339	S083-99-354	SNODO SOSPENSIONE - SUPERIORE BALL JOINT - UPPER		
0400340	S083-99-356	SNODO SOSPENSIONE - INFERIORE BALL JOINT - LOWER		
0600338	S083-32-115	SNODO ASSIALE AXIAL JOINT		RHT M14x1,5
0780340	OKX43-34-300	BRACCIO OSCILLANTE - INFERIORE TRACK CONTROL ARM - LOWER		
0784576	0SE46-34-250	BRACCIO OSCILLANTE - SUPERIORE TRACK CONTROL ARM - UPPER		
0790340	OKX43-34-350	BRACCIO OSCILLANTE - INFERIORE TRACK CONTROL ARM - LOWER		
0794576	0SE46-34-200	BRACCIO OSCILLANTE - SUPERIORE TRACK CONTROL ARM - UPPER		

DESTRO
RIGHT



SINISTRO
LEFT

CARENS I
CARENS II

FC
FJ

11/2000 > 07/2002
07/2002 > 09/2006

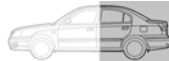
Asse Anteriore



Front Axle



Asse Posteriore



Rear Axle



OCAP	O.E.		
0281973	0K201-32-280	TESTA STERZO TIE ROD END	RHT M14x1,5
0402549	0K2A1-34-550A	SNODO SOSPENSIONE - INFERIORE BALL JOINT - LOWER	
0501583	0K2A1-34-150A	STABILIZZATORE STABILIZER LINK	
0584098	0K2FA-34150	STABILIZZATORE STABILIZER LINK	
0594098	0K2FA-34170	STABILIZZATORE STABILIZER LINK	
0681975	0K2A1-32-240	SNODO ASSIALE AXIAL JOINT	RHT M14x1,5
0691975	0K2A2-32-240	SNODO ASSIALE AXIAL JOINT	RHT M14x1,5
0782549	0K2FA-34-300	BRACCIO OSCILLANTE - INFERIORE TRACK CONTROL ARM - LOWER	
0792549	0K2FA-34-350	BRACCIO OSCILLANTE - INFERIORE TRACK CONTROL ARM - LOWER	

DESTRO
RIGHT



SINISTRO
LEFT

CARENS III

UN

09/2006 >

Asse Anteriore



Front Axle

0284107



0604108



0604108



0294107



0784109



0794109



0504110



0504110



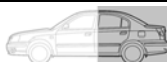
0404071



0404071



Asse Posteriore



Rear Axle

0504111



0504111



OCAP	O.E.			
0284107	56820-2G900	TESTA STERZO TIE ROD END		RHT M16x1,5
0294107	56820-2G000	TESTA STERZO TIE ROD END		RHT M16x1,5
0404071	51760-2G000	SNODO SOSPENSIONE - INFERIORE BALL JOINT - LOWER		
0504110	54830-2G000	STABILIZZATORE STABILIZER LINK		
0504111	55530-1D000	STABILIZZATORE STABILIZER LINK		
0604108	57724-2G000	SNODO ASSIALE AXIAL JOINT		RHT M16x1,5
0784109	54501-1D000	BRACCIO OSCILLANTE - INFERIORE TRACK CONTROL ARM - LOWER		
0794109	54500-1D000	BRACCIO OSCILLANTE - INFERIORE TRACK CONTROL ARM - LOWER		

DESTRO
RIGHT



SINISTRO
LEFT

CARNIVAL I
CARNIVAL II

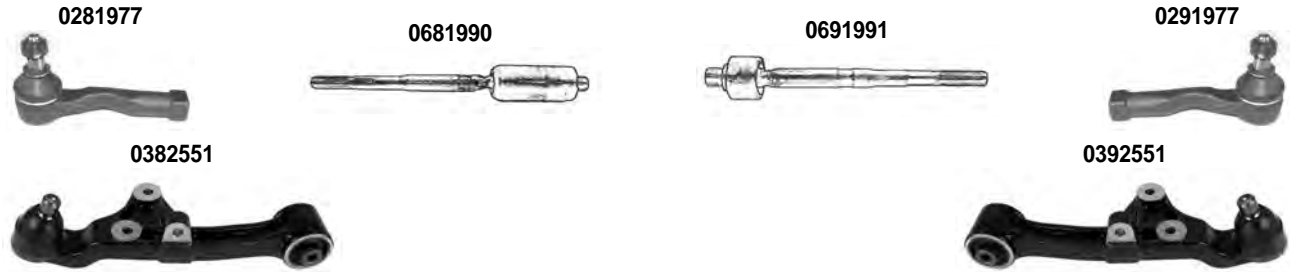
UP
GQ

1998 > 10/2001
01/1999 >

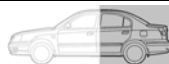
Asse Anteriore



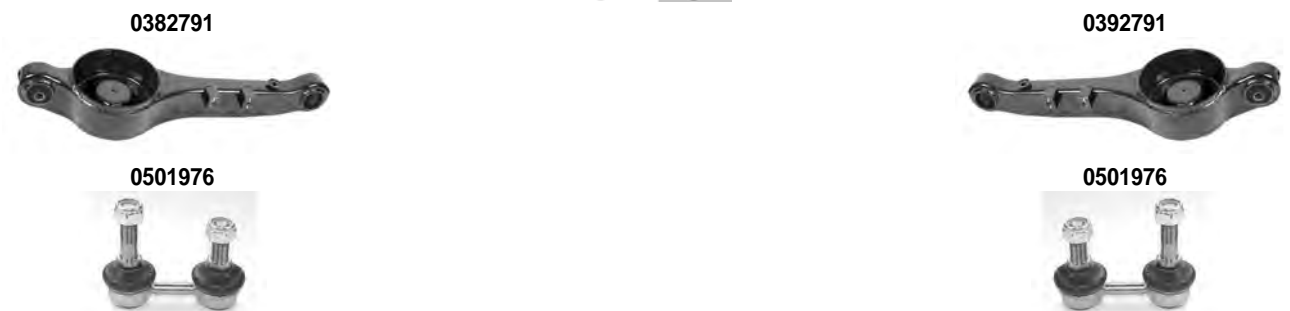
Front Axle



Asse Posteriore



Rear Axle



OCAP	O.E.		
0281977	0K552-32-280	TESTA STERZO TIE ROD END	RHT M14x1,5
0291977	0K552-32-240	TESTA STERZO TIE ROD END	RHT M14x1,5
0382551	0K552-34-300A	BRACCIO OSCILLANTE - INFERIORE TRACK CONTROL ARM - LOWER	
0382791	0K552-28-300B	BRACCIO OSCILLANTE TRACK CONTROL ARM	
0392551	0K552-34-350A	BRACCIO OSCILLANTE - INFERIORE TRACK CONTROL ARM - LOWER	
0392791	0K552-28-350B	BRACCIO OSCILLANTE TRACK CONTROL ARM	
0501976	0K552-34-160B	STABILIZZATORE STABILIZER LINK	
0681990	0K552-32-250	SNODO ASSIALE AXIAL JOINT	RHT M14x1,5
0691991	0K552-32-270	SNODO ASSIALE AXIAL JOINT	RHT M14x1,5

DESTRO
RIGHT



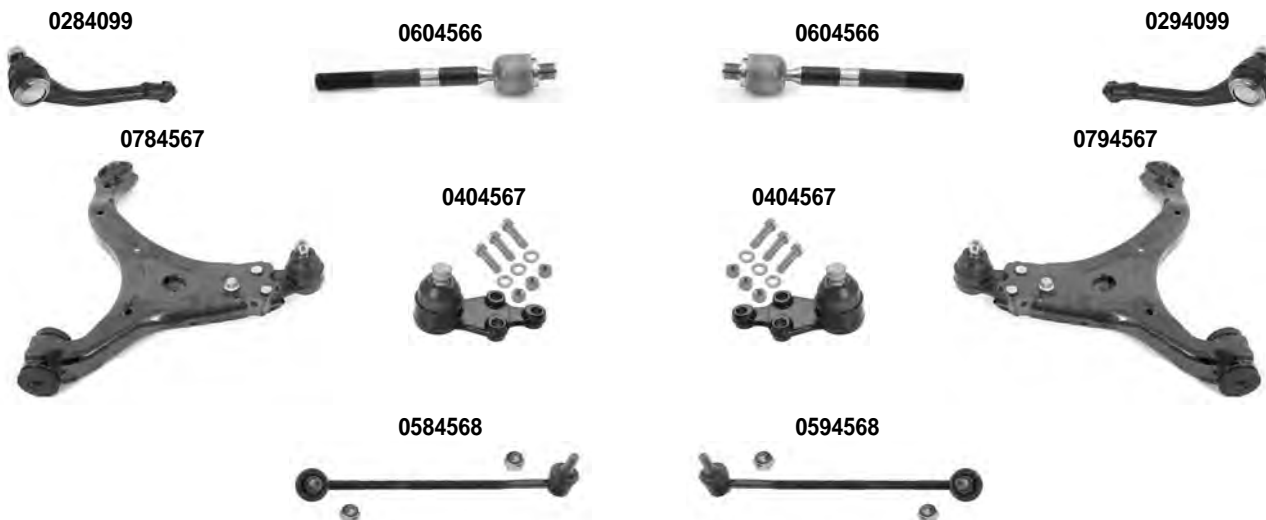
SINISTRO
LEFT

CARNIVAL III	VQ	09/2005 >
--------------	----	-----------

Asse Anteriore



Front Axle



Asse Posteriore



Rear Axle



OCAP	O.E.			
0284099	56820-4D100	TESTA STERZO TIE ROD END		RHT M16x1,5
0294099	56820-4D000	TESTA STERZO TIE ROD END		RHT M16x1,5
0404567	54530-4D000	SNODO SOSPENSIONE - INFERIORE BALL JOINT - LOWER		
0504569	55530-4D000	STABILIZZATORE STABILIZER LINK		
0584568	54840-4D000	STABILIZZATORE STABILIZER LINK		
0594568	54830-4D000	STABILIZZATORE STABILIZER LINK		
0604566	57724-4D000	SNODO ASSIALE AXIAL JOINT		RHT M16x1,5
0784567	54501-4D001	BRACCIO OSCILLANTE - INFERIORE TRACK CONTROL ARM - LOWER		
0794567	54500-4D001	BRACCIO OSCILLANTE - INFERIORE TRACK CONTROL ARM - LOWER		

DESTRO
RIGHT



SINISTRO
LEFT

CEE'D
PRO CEE'D

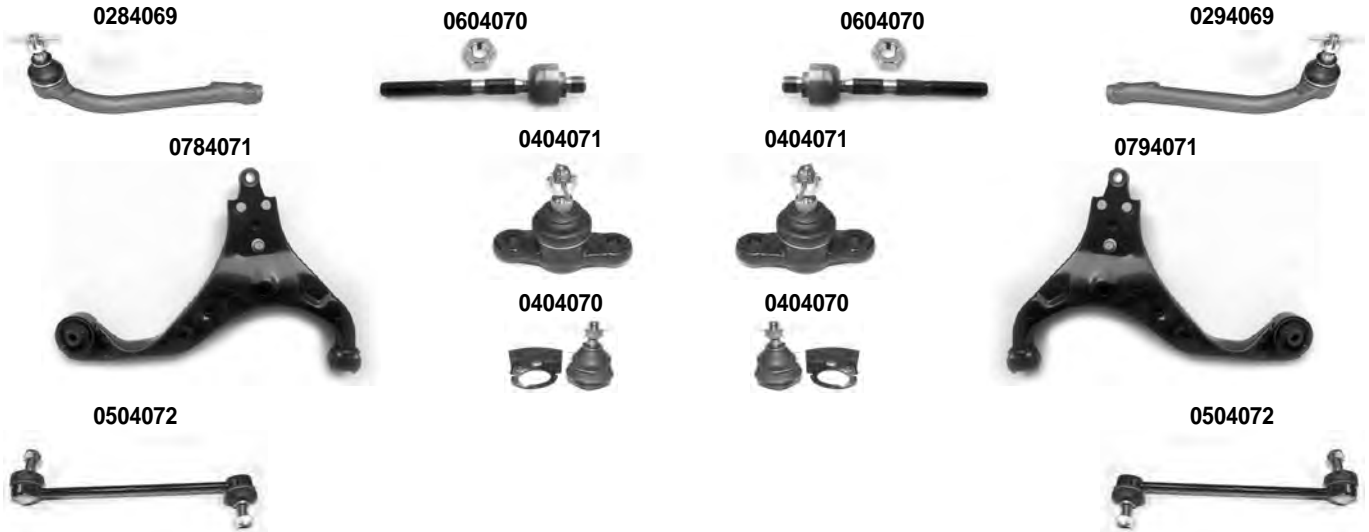
ED
ED

12/2006 > 12/2012
02/2008 > 03/2013

Asse Anteriore



Front Axle



Asse Posteriore



Rear Axle



i 1) > 10/2009	2) 11/2009 >
-----------------------	--------------

OCAP	O.E.		
0284069	56820-2H090	TESTA STERZO TIE ROD END	RHT M14x1,5
0294069	56820-2H000	TESTA STERZO TIE ROD END	RHT M14x1,5
0304073	55250-2H000	BRACCIO SOSPENSIONE SUSPENSION ARM	
0404070	51760-2R000	SNODO SOSPENSIONE - INFERIORE BALL JOINT - LOWER	2)
0404071	51760-0Q000	SNODO SOSPENSIONE - INFERIORE BALL JOINT - LOWER	1)
0504072	54830-2H000	STABILIZZATORE STABILIZER LINK	
0504074	55530-1H000	STABILIZZATORE STABILIZER LINK	
0604070	56540-2H000	SNODO ASSIALE AXIAL JOINT	RHT M14x1,5
0784071	54501-2H000	BRACCIO OSCILLANTE - INFERIORE TRACK CONTROL ARM - LOWER	
0794071	54500-2H000	BRACCIO OSCILLANTE - INFERIORE TRACK CONTROL ARM - LOWER	

DESTRO
RIGHT



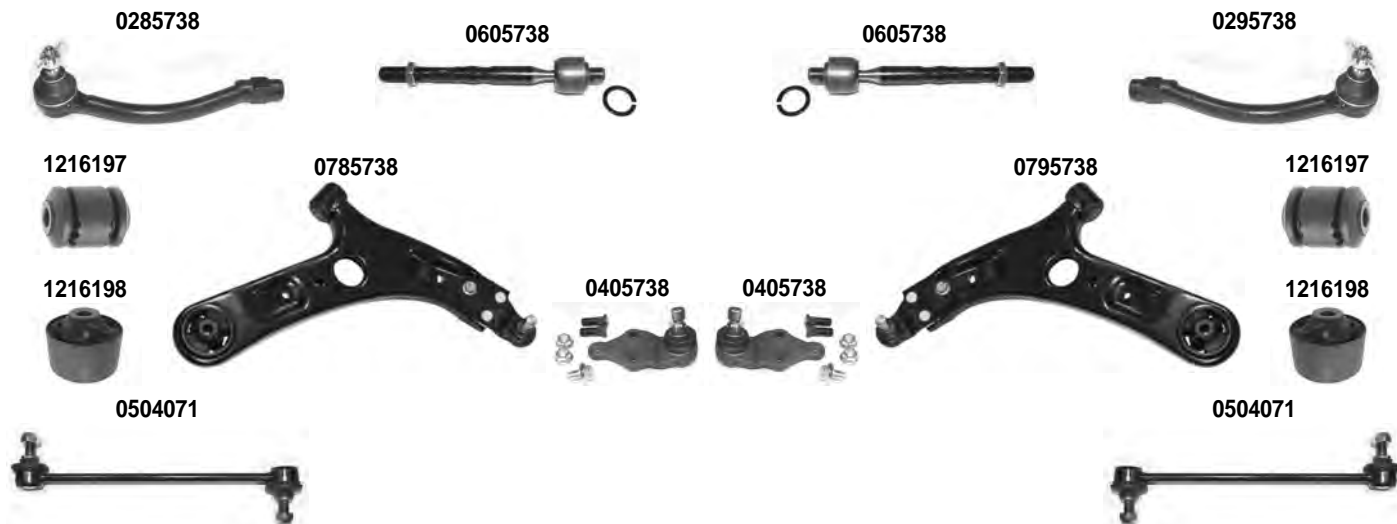
SINISTRO
LEFT

CEE'D PRO CEE'D	GD GD	05/2012 > 03/2013 >
--------------------	----------	------------------------

Asse Anteriore



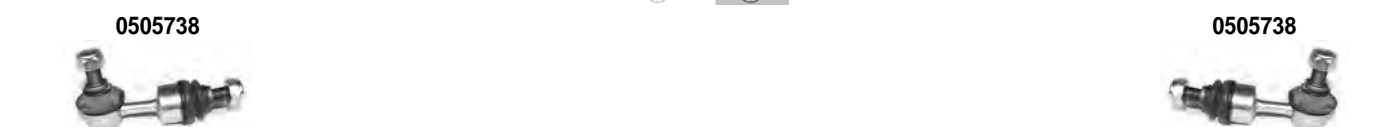
Front Axle



Asse Posteriore



Rear Axle



OCAP	O.E.			
0285738	56820-A6090	TESTA STERZO TIE ROD END		RHT M16x1,5
0295738	56820-A6000	TESTA STERZO TIE ROD END		RHT M16x1,5
0405738	54530-3S100	SNODO SOSPENSIONE - INFERIORE BALL JOINT - LOWER		
0504071	54830-0U000	STABILIZZATORE STABILIZER LINK		
0505738	55530-3R000	STABILIZZATORE STABILIZER LINK		
0605738	56540-A6000	SNODO ASSIALE AXIAL JOINT		RHT M16x1,5
0785738	54501-A6200	BRACCIO OSCILLANTE - INFERIORE TRACK CONTROL ARM - LOWER		
0795738	54500-A6200	BRACCIO OSCILLANTE - INFERIORE TRACK CONTROL ARM - LOWER		
1216197	54551-3X000	SILENTBLOCK - CENTRALE CENTRAL BUSHING		
1216198	54584-A6000	SILENTBLOCK - ESTREMO OUTER BUSHING		

DESTRO
RIGHT



SINISTRO
LEFT

CERATO

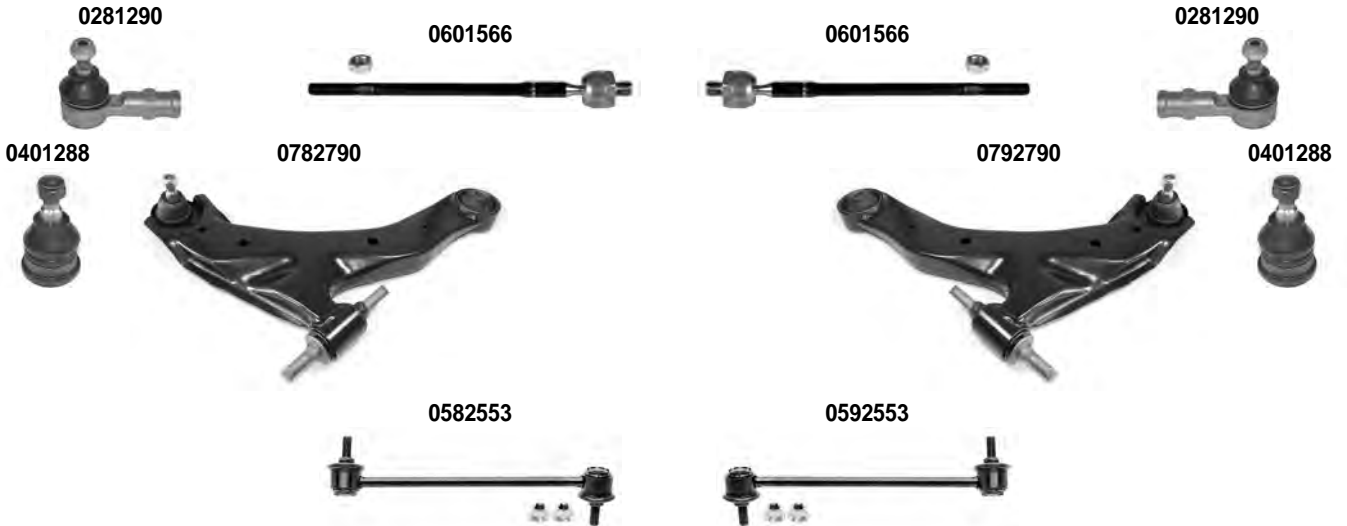
LD

04/2004 >

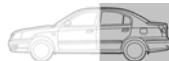
Asse Anteriore



Front Axle



Asse Posteriore



Rear Axle



OCAP	O.E.		
0281290	56820-22000	TESTA STERZO TIE ROD END	RHT M14x1,5
0401288	54530-0U000	SNODO SOSPENSIONE - INFERIORE BALL JOINT - LOWER	
0504080	55530-17000	STABILIZZATORE STABILIZER LINK	
0582553	54840-2F000	STABILIZZATORE STABILIZER LINK	
0592553	54830-2F000	STABILIZZATORE STABILIZER LINK	
0601566	57724-2D000	SNODO ASSIALE AXIAL JOINT	RHT M14x1,5
0782790	54501-2F001	BRACCIO OSCILLANTE - INFERIORE TRACK CONTROL ARM - LOWER	
0792790	54500-2F001	BRACCIO OSCILLANTE - INFERIORE TRACK CONTROL ARM - LOWER	

DESTRO
RIGHT



SINISTRO
LEFT

CLARUS
CLARUS SW

K9A
GC

07/1996 >
05/1998 >

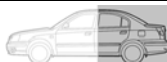
Asse Anteriore



Front Axle



Asse Posteriore



Rear Axle



1) > 04/1998		2) 05/1998 >	
OCAP	O.E.		
0281973	0K201-32-280	TESTA STERZO TIE ROD END	RHT M14x1,5
0400349	OG030-34-550B	SNODO SOSPENSIONE - INFERIORE BALL JOINT - LOWER	
0501582	0K0A3-28-170A	STABILIZZATORE STABILIZER LINK	
0583801	GA2A-34-150A	STABILIZZATORE STABILIZER LINK	
0593801	GA2A-34-170A	STABILIZZATORE STABILIZER LINK	
0601972	0K9A2-32-240	SNODO ASSIALE AXIAL JOINT	RHT M14x1,5
0784571	0K9A2-34-300	BRACCIO OSCILLANTE - INFERIORE TRACK CONTROL ARM - LOWER	1)
0784572	0K9A6-34-300	BRACCIO OSCILLANTE - INFERIORE TRACK CONTROL ARM - LOWER	2)
0794571	0K9A2-34-350	BRACCIO OSCILLANTE - INFERIORE TRACK CONTROL ARM - LOWER	1)
0794572	0K9A6-34-350	BRACCIO OSCILLANTE - INFERIORE TRACK CONTROL ARM - LOWER	2)

DESTRO
RIGHT



SINISTRO
LEFT

K2500
K2700

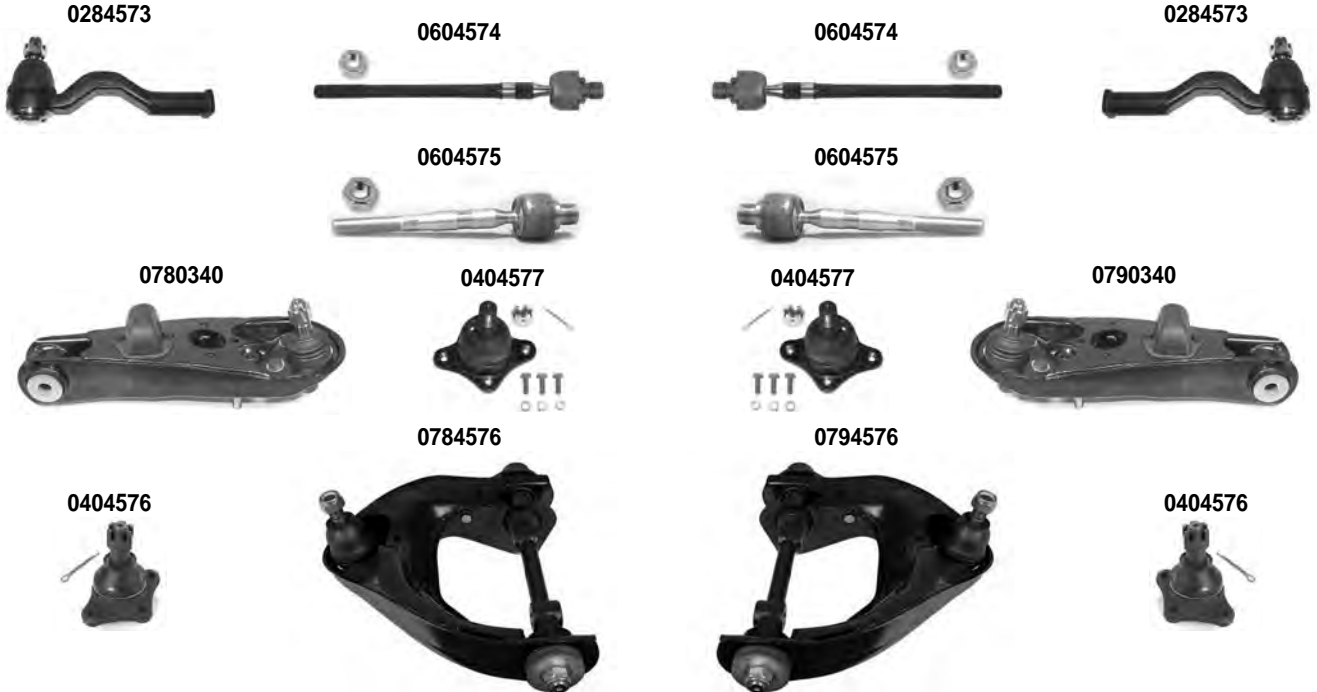
SD
SD

01/2003 >
10/1997 >

Asse Anteriore



Front Axle



1) STERZO MANUALE -MANUAL STEERING		2) SERVOSTERZO - POWER STEERING		
OCAP	O.E.			
0284573	0K710-32-240	TESTA STERZO TIE ROD END		RHT M14x1,5
0404576	0K710-34-540	SNODO SOSPENSIONE - SUPERIORE BALL JOINT - UPPER		
0404577	0K710-34-510	SNODO SOSPENSIONE - INFERIORE BALL JOINT - LOWER		
0604574	0K72A-32-270	SNODO ASSIALE AXIAL JOINT	1)	RHT M14x1,5
0604575	0K60A-32-270	SNODO ASSIALE AXIAL JOINT	2)	RHT M14x1,5
0780340	0S617-34-300	BRACCIO OSCILLANTE - INFERIORE TRACK CONTROL ARM - LOWER		
0784576	0SE46-34-250	BRACCIO OSCILLANTE - SUPERIORE TRACK CONTROL ARM - UPPER		
0790340	0S617-34-350	BRACCIO OSCILLANTE - INFERIORE TRACK CONTROL ARM - LOWER		
0794576	0SE46-34-200	BRACCIO OSCILLANTE - SUPERIORE TRACK CONTROL ARM - UPPER		

DESTRO
RIGHT



SINISTRO
LEFT

MAGENTIS
OPIRUS

GD

05/2001 >
09/2003 >

Asse Anteriore



Front Axle



OCAP	O.E.			
0282485	56820-38900	TESTA STERZO TIE ROD END		RHT M14x1,5
0292485	56820-38000	TESTA STERZO TIE ROD END		RHT M14x1,5
0402484	54403-38A00	SNODO SOSPENSIONE - SUPERIORE BALL JOINT - UPPER		
0404087	51760-38000	SNODO SOSPENSIONE - INFERIORE BALL JOINT - LOWER		
0502488	54830-38100	STABILIZZATORE STABILIZER LINK		
0602559	57724-38010	SNODO ASSIALE AXIAL JOINT		RHT M14x1,5
0782484	54420-38000	BRACCIO OSCILLANTE - SUPERIORE TRACK CONTROL ARM - UPPER		
0784088	54501-38011	BRACCIO OSCILLANTE - INFERIORE TRACK CONTROL ARM - LOWER		
0792484	54410-38000	BRACCIO OSCILLANTE - SUPERIORE TRACK CONTROL ARM - UPPER		
0794088	54500-38011	BRACCIO OSCILLANTE - INFERIORE TRACK CONTROL ARM - LOWER		

DESTRO
RIGHT



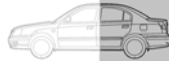
SINISTRO
LEFT

MAGENTIS
OPIRUS

GD

05/2001 >
09/2003 >

Asse Posteriore



Rear Axle

0502487



0502487



OCAP	O.E.			
0502487	55530-38600	STABILIZZATORE STABILIZER LINK		

DESTRO
RIGHT



SINISTRO
LEFT

MAGENTIS	MG	11/2005 >
-----------------	----	-----------

Asse Anteriore



Front Axle



Asse Posteriore



Rear Axle



OCAP	O.E.			
0284107	56820-2G900	TESTA STERZO TIE ROD END		RHT M16x1,5
0294107	56820-2G000	TESTA STERZO TIE ROD END		RHT M16x1,5
0404071	51760-2G000	SNODO SOSPENSIONE - INFERIORE BALL JOINT - LOWER		
0504110	54830-2G000	STABILIZZATORE STABILIZER LINK		
0504111	55530-1D000	STABILIZZATORE STABILIZER LINK		
0604108	57724-2G000	SNODO ASSIALE AXIAL JOINT		RHT M16x1,5
0784107	54501-2G001	BRACCIO OSCILLANTE - INFERIORE TRACK CONTROL ARM - LOWER		
0794107	54500-2G001	BRACCIO OSCILLANTE - INFERIORE TRACK CONTROL ARM - LOWER		

DESTRO
RIGHT



SINISTRO
LEFT

PICANTO

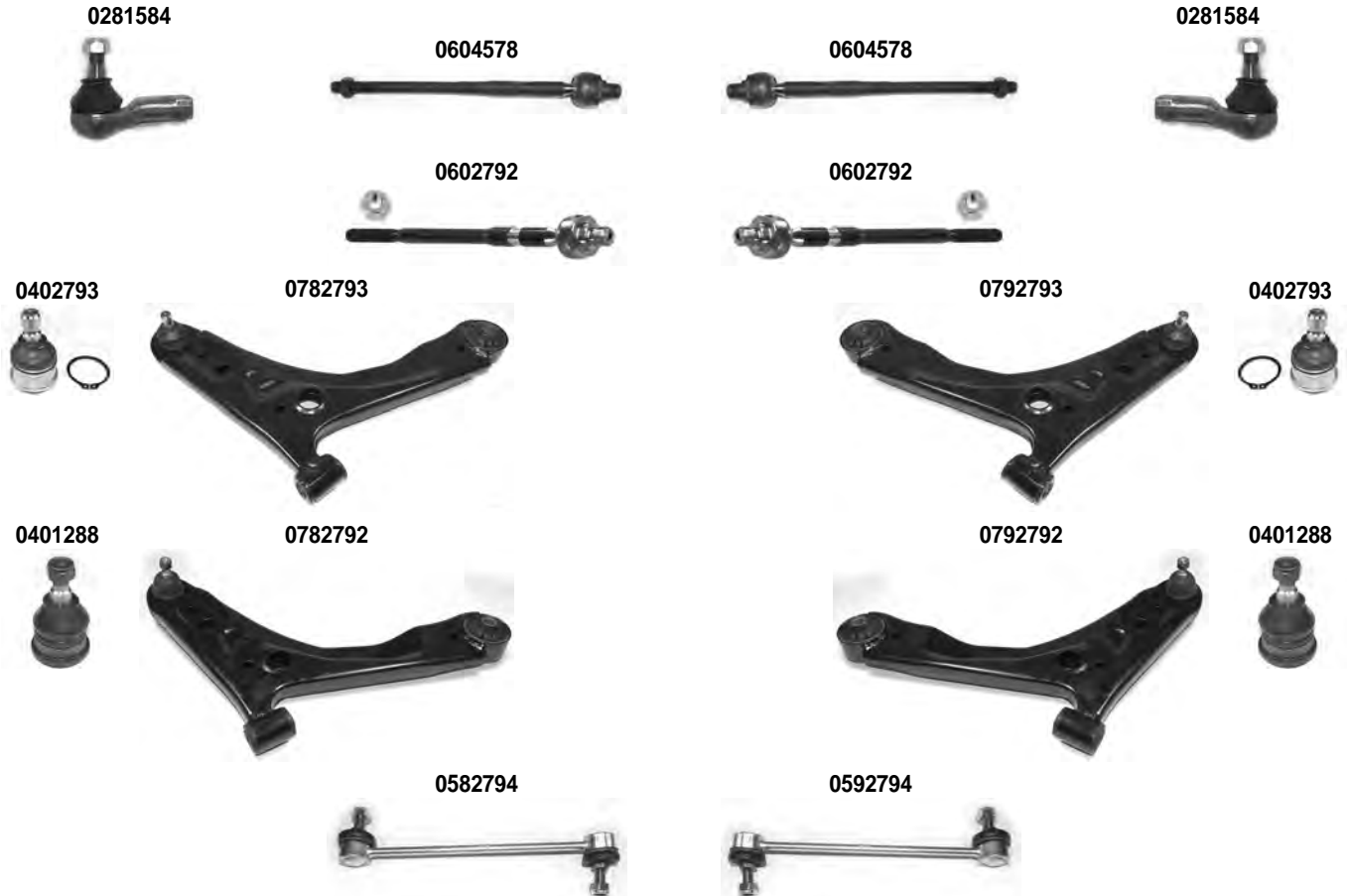
SA

04/2004 >

Asse Anteriore



Front Axle



i 1) STERZO MANUALE - MANUAL STEERING
3) > 10/2007

2) SERVOSTERZO - POWER STEERING
4) 09/2008 > 2011

OCAP	O.E.		
0281584	MDX50-32-280	TESTA STERZO TIE ROD END	RHT M12x1,25
0401288	54530-0U000	SNODO SOSPENSIONE - INFERIORE BALL JOINT - LOWER	4)
0402793	54530-07000	SNODO SOSPENSIONE - INFERIORE BALL JOINT - LOWER	3)
0582794	54840-07000	STABILIZZATORE STABILIZER LINK	
0592794	54830-07000	STABILIZZATORE STABILIZER LINK	
0602792	57724-07000	SNODO ASSIALE AXIAL JOINT	2)3) RHT M12x1,25
0604578	57724-07100	SNODO ASSIALE AXIAL JOINT	1) RHT M12x1,25
0782792	54501-07161	BRACCIO OSCILLANTE - INFERIORE TRACK CONTROL ARM - LOWER	4)
0782793	54501-07100	BRACCIO OSCILLANTE - INFERIORE TRACK CONTROL ARM - LOWER	3)
0792792	54500-07161	BRACCIO OSCILLANTE - INFERIORE TRACK CONTROL ARM - LOWER	4)
0792793	54500-07100	BRACCIO OSCILLANTE - INFERIORE TRACK CONTROL ARM - LOWER	3)

DESTRO
RIGHT



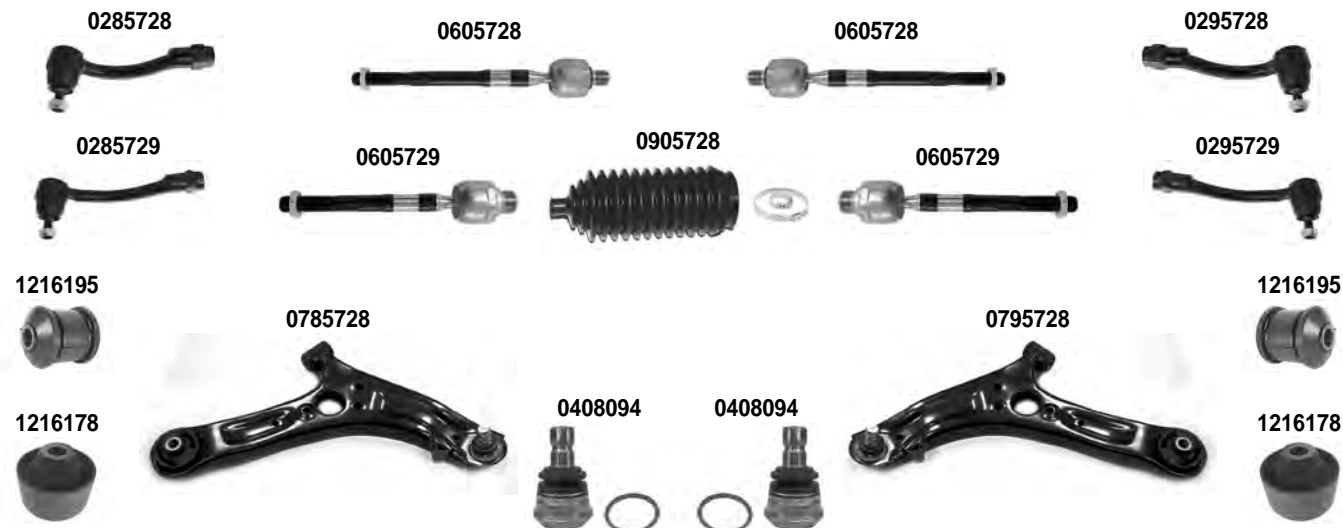
SINISTRO
LEFT

PICANTO	TA	05/2011 >
---------	----	-----------

Asse Anteriore



Front Axle



i 1) STERZO MANUALE - MANUAL STEERING	2) SERVOSTERZO - POWER STEERING
--	---------------------------------

OCAP	O.E.		i	
0285728	56820-1Y050	TESTA STERZO TIE ROD END	1)	RHT M12x1,25
0285729	56820-1Y551	TESTA STERZO TIE ROD END	2)	RHT M14x1,5
0295728	56820-1Y000	TESTA STERZO TIE ROD END	1)	RHT M12x1,25
0295729	56820-1Y501	TESTA STERZO TIE ROD END	2)	RHT M14x1,5
0408094	54530-2K000	SNODO SOSPENSIONE - INFERIORE BALL JOINT - LOWER		
0605728	57724-1Y000	SNODO ASSIALE AXIAL JOINT	1)	RHT M12x1,25
0605729	57724-1Y501	SNODO ASSIALE AXIAL JOINT	2)	RHT M14x1,5
0785728	54501-1Y100	BRACCIO OSCILLANTE - INFERIORE TRACK CONTROL ARM - LOWER		
0795728	54500-1Y100	BRACCIO OSCILLANTE - INFERIORE TRACK CONTROL ARM - LOWER		
0905728	57728-17000	KIT CUFFIA STERZO STEERING GAITER KIT		
1216178	54584-1J000	SILENTBLOCK - ESTREMO OUTER BUSHING		
1216195	54501-1Y100 *	SILENTBLOCK - CENTRALE CENTRAL BUSHING		

DESTRO
RIGHT



SINISTRO
LEFT

PICANTO	TA	05/2011 >
---------	----	-----------

Asse Anteriore



Front Axle

1214288



0584078



0594078



1214288



Asse Posteriore



Rear Axle

1216196



1216196



OCAP	O.E.		
0584078	54840-1J000	STABILIZZATORE STABILIZER LINK	
0594078	54830-1J000	STABILIZZATORE STABILIZER LINK	
1214288	54813-1Y000	GOMMINO BARRA STABILIZZATRICE STABILIZING BAR BUSHING	DIAM. 18 mm.
1216196	55160-1J200	SILENTBLOCK BUSHING	

DESTRO
RIGHT



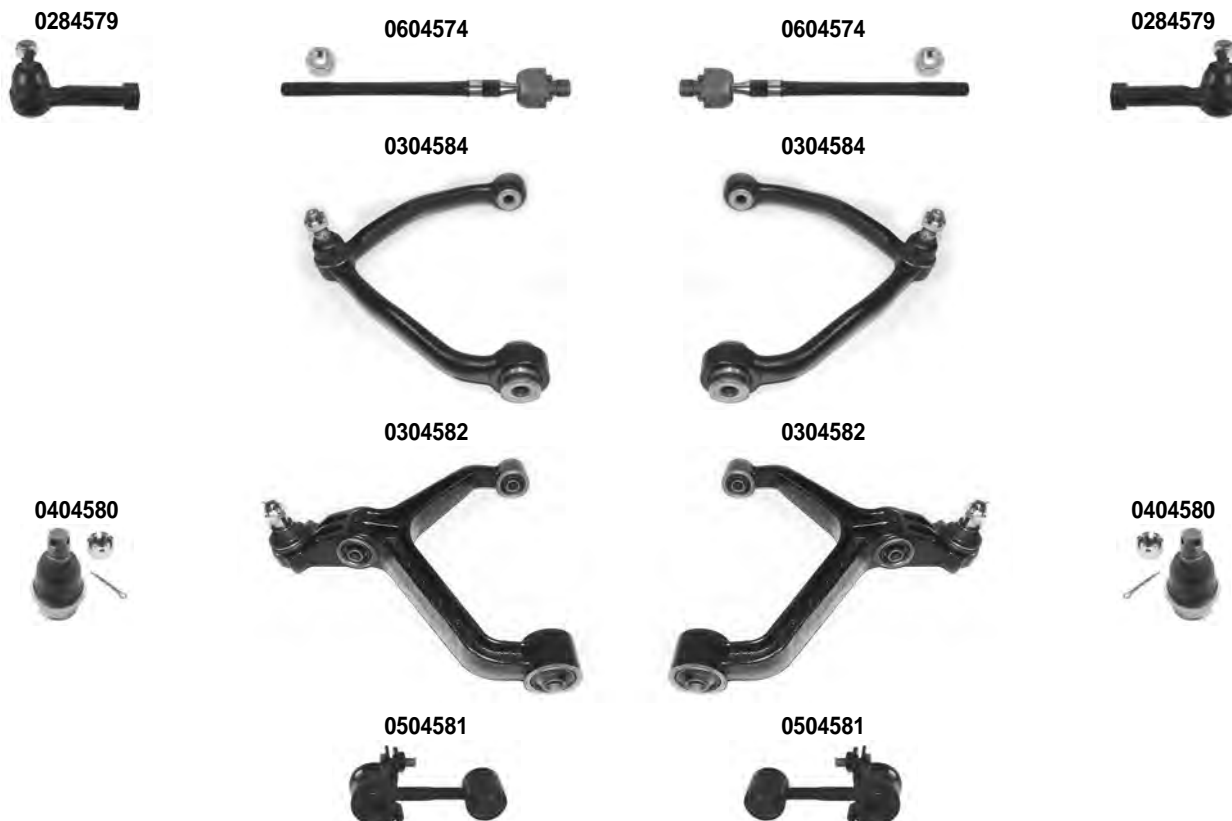
SINISTRO
LEFT

PREGIO	TB	08/1995 > 01/2005
--------	----	-------------------

Asse Anteriore



Front Axle



i 1) > 04/2004

OCAP	O.E.		i	
0284579	0K72A-32-240	TESTA STERZO TIE ROD END		RHT M14x1,5
0304582	0K72A-34-300A	BRACCIO OSCILLANTE - INFERIORE TRACK CONTROL ARM - LOWER	1)	
0304584	0K72A-34-200A	BRACCIO OSCILLANTE - SUPERIORE TRACK CONTROL ARM - UPPER	1)	
0404580	0K72A-34-510A	SNODO SOSPENSIONE - INFERIORE BALL JOINT - LOWER		
0504581	0K72A-34-150A	STABILIZZATORE STABILIZER LINK		
0604574	0K72A-32-270	SNODO ASSIALE AXIAL JOINT		RHT M14x1,5

DESTRO
RIGHT



SINISTRO
LEFT

PRIDE PRIDE	DA STATION WAGON	1990 > 1999 >
----------------	---------------------	------------------

Asse Anteriore



Front Axle



i 1) 1999 >				
OCAP	O.E.		i	
0283379	8AB1-32-280	TESTA STERZO <i>TIE ROD END</i>		RHT M12x1,25
0303865	KKY01-34-310	BRACCIO OSCILLANTE <i>TRACK CONTROL ARM</i>	1)	
0602928	KK150-32-240	SNODO ASSIALE <i>AXIAL JOINT</i>		RHT M12x1,25

RIO I

DESTRO
RIGHT



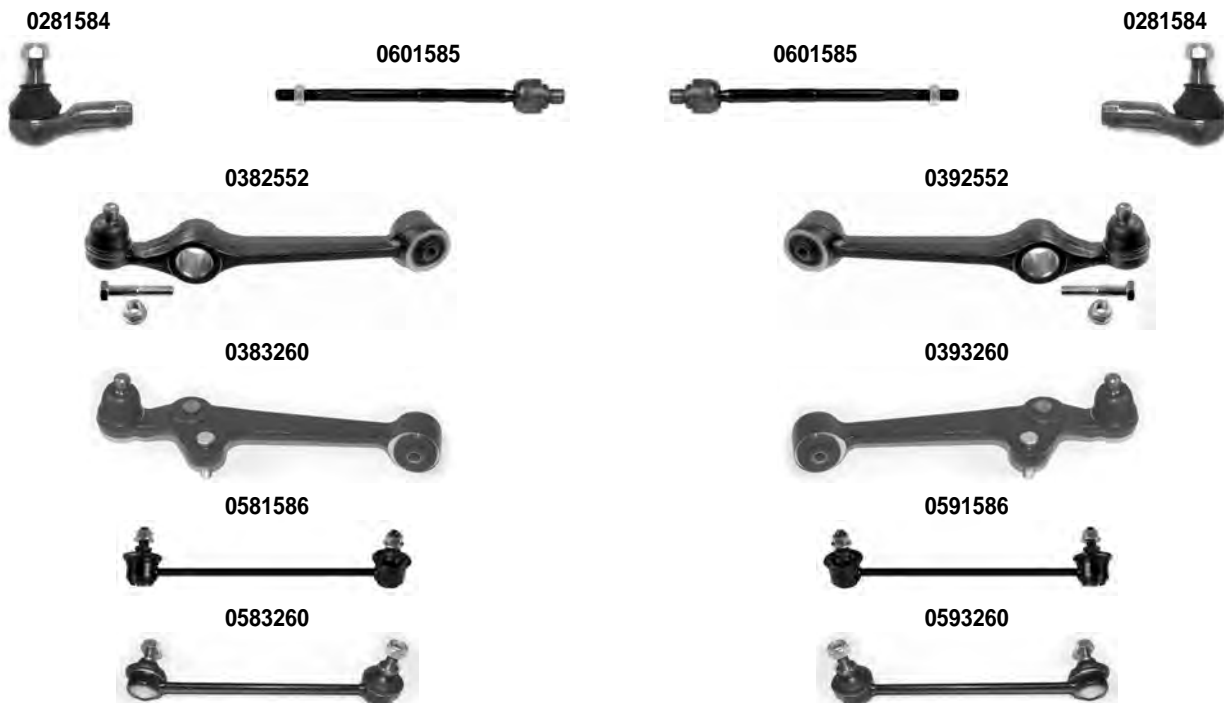
SINISTRO
LEFT

RIO I	DC	2000 > 02/2005
-------	----	----------------

Asse Anteriore



Front Axle



i 1) > 2002 3) > 06/2002	2) 2002 > 4) 07/2002 >
------------------------------------	---------------------------

OCAP	O.E.		i	
0281584	MDX50-32-280	TESTA STERZO TIE ROD END		
0382552	0K30B-34-300B	BRACCIO OSCILLANTE - INFERIORE TRACK CONTROL ARM - LOWER	1)	
0383260	54501-FD000	BRACCIO OSCILLANTE - INFERIORE TRACK CONTROL ARM - LOWER	2)	
0392552	0K30B-34-350B	BRACCIO OSCILLANTE - INFERIORE TRACK CONTROL ARM - LOWER	1)	
0393260	54500-FD000	BRACCIO OSCILLANTE - INFERIORE TRACK CONTROL ARM - LOWER	2)	
0581586	0K33C-34-150A	STABILIZZATORE STABILIZER LINK	3)	
0583260	54830-FD000	STABILIZZATORE STABILIZER LINK	4)	
0591586	0K33C-34-160A	STABILIZZATORE STABILIZER LINK	3)	
0593260	54820-FD000	STABILIZZATORE STABILIZER LINK	4)	
0601585	KDX50-32-240B	SNODO ASSIALE AXIAL JOINT		

DESTRO
RIGHT



SINISTRO
LEFT

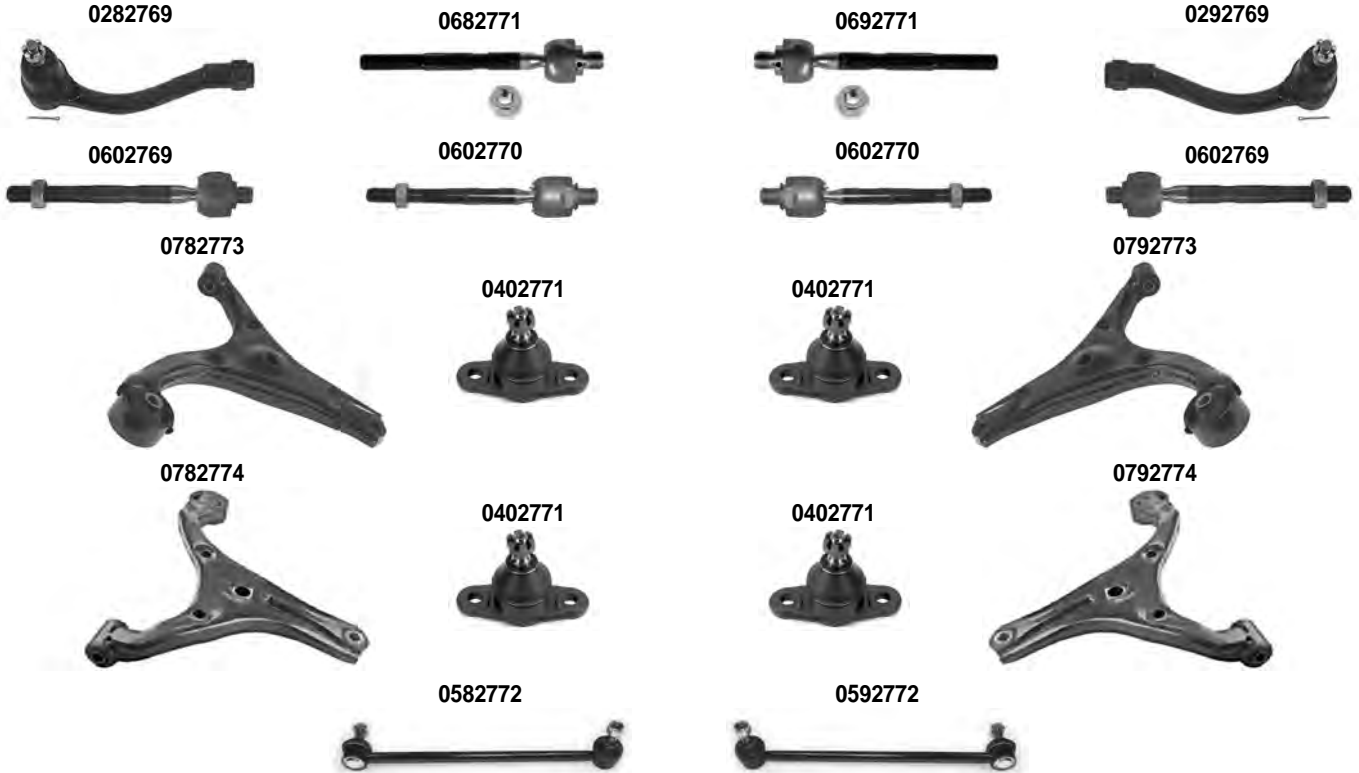
RIO II

RIO II	JB	03/2005 >
--------	----	-----------

Asse Anteriore



Front Axle



<p>i 1) SERVOSTERZO IDRAULICO - HIDRAULIC POWER STEERING 3) SERVOSTERZO ELETTRICO - ELECTRIC POWER STEERING</p>	<p>2) STERZO MANUALE - MANUAL STEERING 4) SERVOSTERZO - POWER STEERING</p>
--	--

OCAP	O.E.		i	
0282769	56820-1E900	TESTA STERZO TIE ROD END		RHT M14x1,5
0292769	56820-1E000	TESTA STERZO TIE ROD END		RHT M14x1,5
0402771	51760-1G000	SNODO SOSPENSIONE - INFERIORE BALL JOINT - LOWER		
0582772	54840-1G000	STABILIZZATORE STABILIZER LINK		
0592772	54830-1G000	STABILIZZATORE STABILIZER LINK		
0602769	56540-1G000	SNODO ASSIALE AXIAL JOINT	2)	RHT M14x1,5
0602770	57724-1E000	SNODO ASSIALE AXIAL JOINT	3)	RHT M14x1,5
0682771	57724-1G100	SNODO ASSIALE AXIAL JOINT	1)	RHT M14x1,5
0692771	57724-1G000	SNODO ASSIALE AXIAL JOINT	1)	RHT M14x1,5
0782773	54501-1E100	BRACCIO OSCILLANTE - INFERIORE TRACK CONTROL ARM - LOWER	2)	
0782774	54501-1E000	BRACCIO OSCILLANTE - INFERIORE TRACK CONTROL ARM - LOWER	4)	
0792773	54500-1E100	BRACCIO OSCILLANTE - INFERIORE TRACK CONTROL ARM - LOWER	2)	
0792774	54500-1E000	BRACCIO OSCILLANTE - INFERIORE TRACK CONTROL ARM - LOWER	4)	

DESTRO
RIGHT



SINISTRO
LEFT

RIO III	UB	09/2011 >
---------	----	-----------

Asse Anteriore



Front Axle



OCAP	O.E.		
0285494	56821-1R591	TESTA STERZO TIE ROD END	RHT M16x1,5
0295494	56820-1R501	TESTA STERZO TIE ROD END	RHT M16x1,5
0408094	54530-2K000	SNODO SOSPENSIONE - INFERIORE BALL JOINT - LOWER	
0504071	54830-0U000	STABILIZZATORE STABILIZER LINK	
0605494	56540-0U500	SNODO ASSIALE AXIAL JOINT	RHT M16x1,5
0785494	54501-1W000	BRACCIO OSCILLANTE - INFERIORE TRACK CONTROL ARM - LOWER	
0795494	54500-1W000	BRACCIO OSCILLANTE - INFERIORE TRACK CONTROL ARM - LOWER	
0905494	57740-2K001	KIT CUFFIA STERZO STEERING GAITER KIT	
1214287	54813-1W100	GOMMINO BARRA STABILIZZATRICE STABILIZING BAR BUSHING	DIAM. 18 mm.
1216177	54551-1J000	SILENTBLOCK CENTRALE CENTRAL BUSHING	
1216178	54584-1J000	SILENTBLOCK ESTREMO OUTER BUSHING	

DESTRO
RIGHT



SINISTRO
LEFT

SEPHIA SEPHIA	FA BERLINA (SALOON)	1993 > 1997
	FA	1995 > 1997

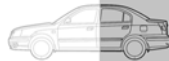
Asse Anteriore



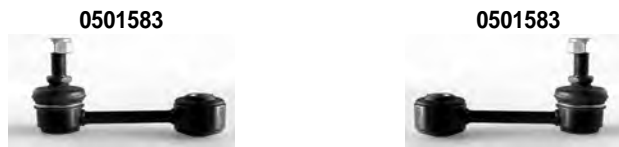
Front Axle



Asse Posteriore



Rear Axle



OCAP	O.E.		
0281973	0K201-32-280	TESTA STERZO TIE ROD END	RHT M14x1,5
0403390	0K201-34-550E	SNODO SOSPENSIONE - INFERIORE BALL JOINT - LOWER	
0501583	0K2A1-34-150A	STABILIZZATORE STABILIZER LINK	
0601972	0K203-32-240	SNODO ASSIALE AXIAL JOINT	RHT M14x1,5

DESTRO
RIGHT



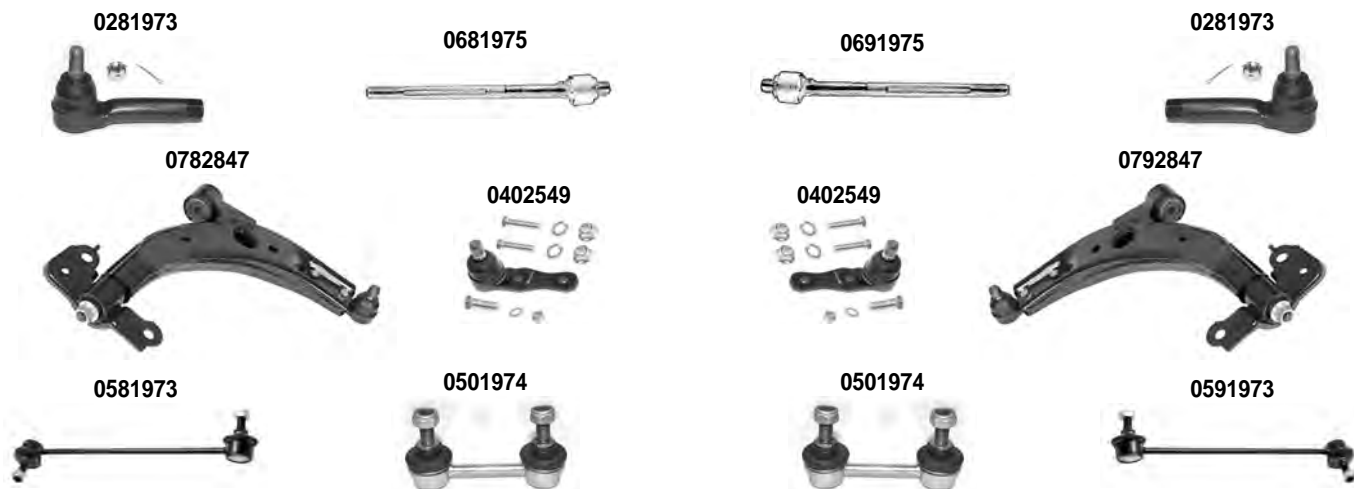
SINISTRO
LEFT

SHUMA I SHUMA I SHUMA II SHUMA II	FB BERLNA (SALOON) FB FB BERLNA (SALOON) FB	03/1996 > 10/2001 10/1997 > 03/2001 05/2001 > 05/2004 05/2001 > 08/2004
--	--	--

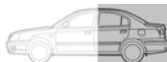
Asse Anteriore



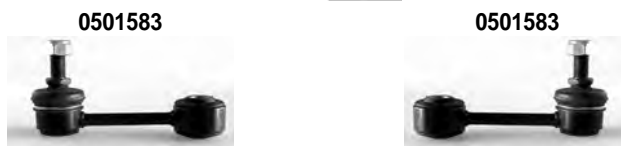
Front Axle



Asse Posteriore



Rear Axle



i 1) > 01/1999 3) 05/2000 >	2) 02/1999 >
---------------------------------------	--------------

OCAP	O.E.		i	
0281973	0K201-32-280	TESTA STERZO TIE ROD END		RHT M14x1,5
0402549	0K2A1-34-550A	SNODO SOSPENSIONE - INFERIORE BALL JOINT - LOWER		
0501583	0K2A1-34-150A	STABILIZZATORE STABILIZER LINK		
0501974	0K2A5-34-150A	STABILIZZATORE STABILIZER LINK	1)	
0581973	0K2N1-34-150A	STABILIZZATORE STABILIZER LINK	2)	
0591973	0K2N1-34-170A	STABILIZZATORE STABILIZER LINK	2)	
0681975	0K2A1-32-240	SNODO ASSIALE AXIAL JOINT		RHT M14x1,5
0691975	0K2A2-32-240	SNODO ASSIALE AXIAL JOINT		RHT M14x1,5
0782847	0K2NA-34-300B	BRACCIO OSCILLANTE - INFERIORE TRACK CONTROL ARM - LOWER	3)	
0792847	0K2NA-34-350B	BRACCIO OSCILLANTE - INFERIORE TRACK CONTROL ARM - LOWER	3)	

DESTRO
RIGHT



SINISTRO
LEFT

SORENTO I

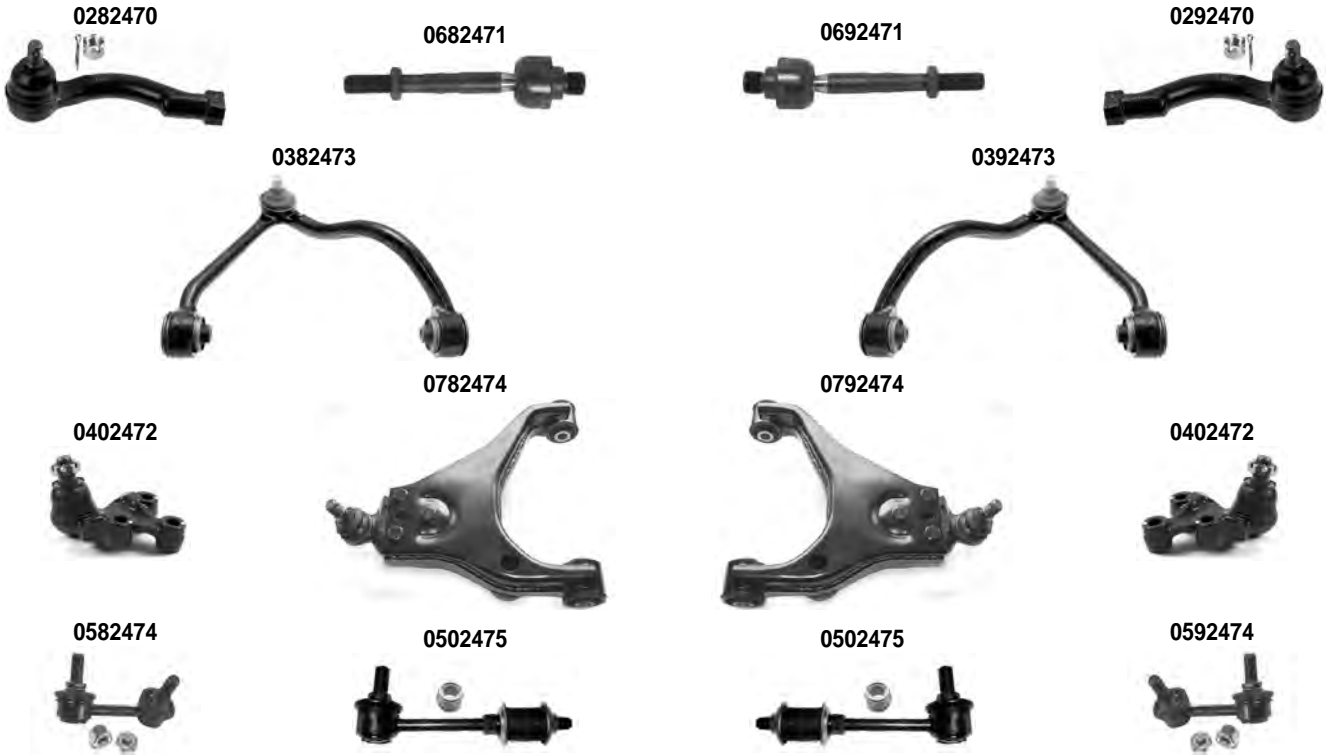
JC

08/2002 > 2009

Asse Anteriore



Front Axle



i 1) > 02/2004	2) 03/2004 >
-----------------------	--------------

OCAP	O.E.		i	
0282470	56820-3E900	TESTA STERZO TIE ROD END		RHT M14x1,5
0292470	56820-3E000	TESTA STERZO TIE ROD END		RHT M14x1,5
0382473	54420-3E000	BRACCIO OSCILLANTE - SUPERIORE TRACK CONTROL ARM - UPPER		
0392473	54410-3E000	BRACCIO OSCILLANTE - SUPERIORE TRACK CONTROL ARM - UPPER		
0402472	54570-3E000	SNODO SOSPENSIONE - INFERIORE BALL JOINT - LOWER		
0502475	54810-3E000	STABILIZZATORE STABILIZER LINK	1)	
0582474	54811-3E060	STABILIZZATORE STABILIZER LINK	2)	
0592474	54811-3E010	STABILIZZATORE STABILIZER LINK	2)	
0682471	57731-3E010	SNODO ASSIALE AXIAL JOINT		RHT M14x1,5
0692471	57732-3E010	SNODO ASSIALE AXIAL JOINT		RHT M14x1,5
0782474	54520-3E001	BRACCIO OSCILLANTE - INFERIORE TRACK CONTROL ARM - LOWER		
0792474	54510-3E001	BRACCIO OSCILLANTE - INFERIORE TRACK CONTROL ARM - LOWER		

SORENTO I

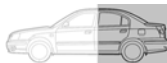
DESTRO
RIGHT



SINISTRO
LEFT

SORENTO I	JC	08/2002 > 2009
-----------	----	----------------

Asse Posteriore



Rear Axle

0582774



0592774



OCAP	O.E.			
0582774	55580-3E050	STABILIZZATORE STABILIZER LINK		
0592774	55580-3E000	STABILIZZATORE STABILIZER LINK		

DESTRO
RIGHT



SINISTRO
LEFT

SORENTO II

XM

11/2009 >

Asse Anteriore



Front Axle



Asse Posteriore



Rear Axle



i 1) > 09/2012

OCAP	O.E.		i	
0284081	56820-2B900	TESTA STERZO TIE ROD END	1)	RHT M16x1,5
0294081	56820-2B000	TESTA STERZO TIE ROD END	1)	RHT M16x1,5
0404465	54530-2B000	SNODO SOSPENSIONE - INFERIORE BALL JOINT - LOWER		
0504085	55530-2B000	STABILIZZATORE STABILIZER LINK		
0584084	54840-2B000	STABILIZZATORE STABILIZER LINK	1)	
0594084	54830-2B000	STABILIZZATORE STABILIZER LINK	1)	
0684081	57724-2P000	SNODO ASSIALE AXIAL JOINT	1)	RHT M16x1,5
0694081	57724-2P100	SNODO ASSIALE AXIAL JOINT	1)	RHT M16x1,5
0784083	54501-2B100	BRACCIO OSCILLANTE - INFERIORE TRACK CONTROL ARM - LOWER		
0794083	54500-2B100	BRACCIO OSCILLANTE - INFERIORE TRACK CONTROL ARM - LOWER		

DESTRO
RIGHT



SINISTRO
LEFT

SOUL SOUL	AM PS	02/2009 > 02/2014 >
--------------	----------	------------------------

Asse Anteriore



Front Axle



OCAP	O.E.			
0284075	56820-2K050	TESTA STERZO TIE ROD END		RHT M12x1,25
0294075	56820-2K000	TESTA STERZO TIE ROD END		RHT M12x1,25
0408094	54530-2K000	SNODO SOSPENSIONE - INFERIORE BALL JOINT - LOWER		
0588094	54840-2K000	STABILIZZATORE STABILIZER LINK		
0598094	54830-2K000	STABILIZZATORE STABILIZER LINK		
0608093	56540-2K000	SNODO ASSIALE AXIAL JOINT		RHT M12x1,25
0788094	54501-2K000	BRACCIO OSCILLANTE - INFERIORE TRACK CONTROL ARM - LOWER		
0798094	54500-2K300	BRACCIO OSCILLANTE - INFERIORE TRACK CONTROL ARM - LOWER		

DESTRO
RIGHT



SINISTRO
LEFT

SPORTAGE
RETONA

K100
CE

04/1994 > 08/2004
06/1999 > 01/2003

Asse Anteriore



Front Axle

0501992



OCAP	O.E.			
0281993	0K011-32-240A	TESTA STERZO TIE ROD END		LHT M18x1,5
0281994	0K011-32-280	TESTA STERZO TIE ROD END		RHT M18x1,5
0291993	0K011-32-250A	TESTA STERZO TIE ROD END		LHT M18x1,5
0291994	0K011-32-230	TESTA STERZO TIE ROD END		RHT M18x1,5
0302848	0K011-34-200	BRACCIO OSCILLANTE - SUPERIORE TRACK CONTROL ARM - UPPER		
0401996	0K011-34-510B	SNODO SOSPENSIONE - INFERIORE BALL JOINT - LOWER		
0501992	0K011-32-260A	BARRA STERZO TIE ROD		
0501997	0K011-34-160A	STABILIZZATORE STABILIZER LINK		
0581993	0K011-32-290A	BARRA STERZO TIE ROD		
0591993	0K011-32-270A	BARRA STERZO TIE ROD		
0702849	0K011-34-300F	BRACCIO OSCILLANTE - INFERIORE TRACK CONTROL ARM - LOWER		
0901995	-	GIUNTO JOINT		RHT M18x1,5 LHT M18x1,5

DESTRO
RIGHT



SINISTRO
LEFT

SPORTAGE	JE	09/2004 > 2010
-----------------	----	----------------

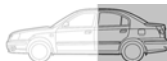
Asse Anteriore



Front Axle



Asse Posteriore



Rear Axle



OCAP	O.E.			
0282496	56820-2E900	TESTA STERZO TIE ROD END		RHT M16x1,5
0292496	56820-2E000	TESTA STERZO TIE ROD END		RHT M16x1,5
0402498	51760-2E000	SNODO SOSPENSIONE - INFERIORE BALL JOINT - LOWER		
0502499	54830-1F000	STABILIZZATORE STABILIZER LINK		
0502525	55530-2E000	STABILIZZATORE STABILIZER LINK		
0602497	57724-2E000	SNODO ASSIALE AXIAL JOINT		RHT M16x1,5
0782498	54501-1F100	BRACCIO OSCILLANTE - INFERIORE TRACK CONTROL ARM - LOWER		
0792498	54500-1F100	BRACCIO OSCILLANTE - INFERIORE TRACK CONTROL ARM - LOWER		

DESTRO
RIGHT



SINISTRO
LEFT

SPORTAGE

SL

07/2010 >

Asse Anteriore



Front Axle



Asse Posteriore



Rear Axle



OCAP	O.E.		
0288092	56820-2S050	TESTA STERZO TIE ROD END	RHT M16x1,5
0298092	56820-2S000	TESTA STERZO TIE ROD END	RHT M16x1,5
0408092	54530-3S000	SNODO SOSPENSIONE - INFERIORE BALL JOINT - LOWER	
0508092	54830-2S000	STABILIZZATORE STABILIZER LINK	
0508093	55530-2S100	STABILIZZATORE STABILIZER LINK	
0608092	57724-2S000	SNODO ASSIALE AXIAL JOINT	RHT M16x1,5
0788092	54501-2Y000	BRACCIO OSCILLANTE - INFERIORE TRACK CONTROL ARM - LOWER	
0798092	54500-2Y000	BRACCIO OSCILLANTE - INFERIORE TRACK CONTROL ARM - LOWER	

DESTRO
RIGHT



SINISTRO
LEFT

VENGA	YN	02/2010 >
--------------	----	-----------

Asse Anteriore



Front Axle



OCAP	O.E.			
0284075	56820-2K050	TESTA STERZO TIE ROD END		RHT M12x1,25
0294075	56820-2K000	TESTA STERZO TIE ROD END		RHT M12x1,25
0401288	54530-0U000	SNODO SOSPENSIONE - INFERIORE BALL JOINT - LOWER		
0584078	54840-1J000	STABILIZZATORE STABILIZER LINK		
0594078	54830-1J000	STABILIZZATORE STABILIZER LINK		
0608093	56540-2K000	SNODO ASSIALE AXIAL JOINT		RHT M12x1,25
0788093	54501-1P000	BRACCIO OSCILLANTE - INFERIORE TRACK CONTROL ARM - LOWER		
0798093	54500-1P000	BRACCIO OSCILLANTE - INFERIORE TRACK CONTROL ARM - LOWER		

DESTRO
RIGHT

 SINISTRO
LEFT

**KALINA
GRANTA**

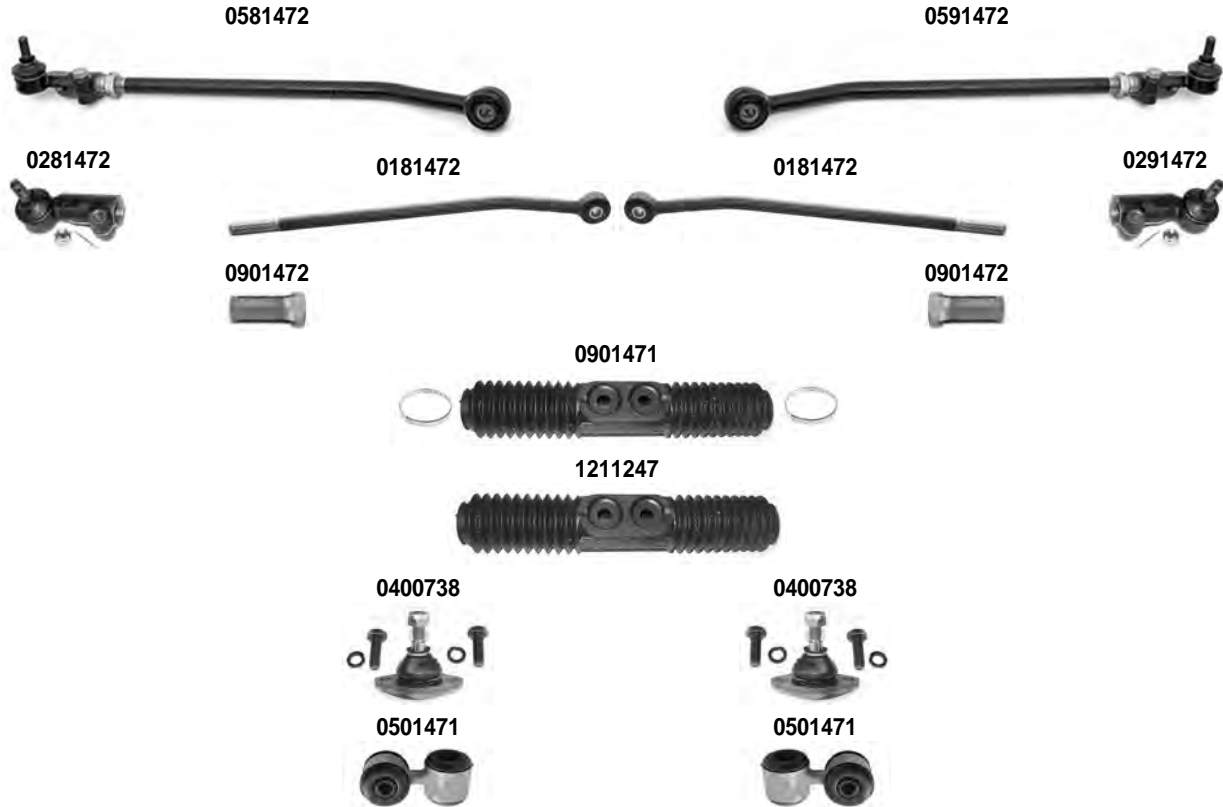
 1117 - 1118 - 1119
2191

 10/2004 >
08/2014 >

Asse Anteriore



Front Axle



OCAP	O.E.		
0181472	111803414058	TESTA STERZO TIE ROD END	RHT M18x1,5
0281472	111803414056	TESTA STERZO TIE ROD END	LHT M24x1,5
0291472	111803414057	TESTA STERZO TIE ROD END	LHT M24x1,5
0400738	2108-2904185	SNODO SOSPENSIONE BALL JOINT	
0501471	111802906050	STABILIZZATORE STABILIZER LINK	
0581472	111803414052	BARRA STERZO TIE ROD	
0591472	111803414053	BARRA STERZO TIE ROD	
0901471	2108-3401224 *	KIT CUFFIA STERZO STEERING GAITER KIT	
0901472	111803414058 *	GIUNTO STERZO STEERING JOINT	RHT M18x1,5 LHT M24x1,5
1211247	2108-3401224	CUFFIA STERZO STEERING GAITER	

DESTRO
RIGHT



SINISTRO
LEFT

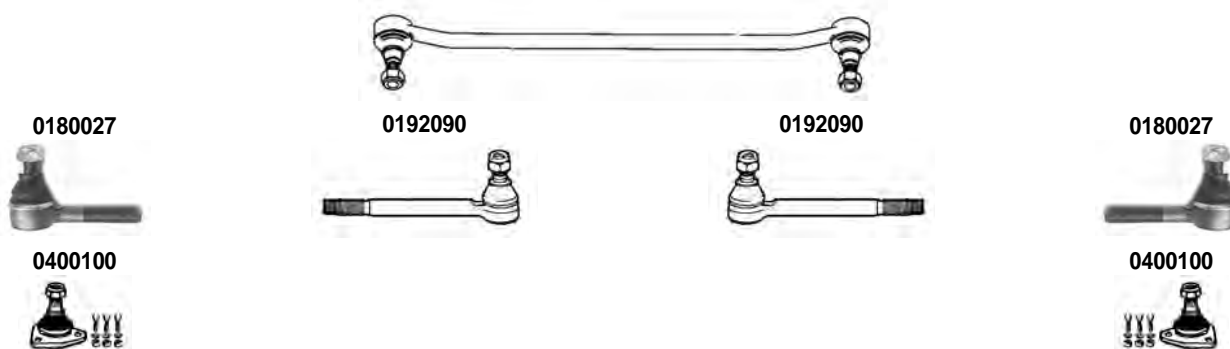
NIVA NIVA II	2121 - 2131 2123	1975 > 09/2002 >
-----------------	---------------------	---------------------

Asse Anteriore



Front Axle

0502091



OCAP	O.E.			
0180027	21013003057	TESTA STERZO TIE ROD END		RHT M16x1
0192090	21213414116	TESTA STERZO TIE ROD END		LHT M16x1
0400100	21012904192	SNODO SOSPENSIONE INFERIORE E SUPERIORE BALL JOINT LOWER AND UPPER		
0502091	21213414011	BARRA STERZO TIE ROD		

DESTRO
RIGHT



SINISTRO
LEFT

PRIORA
PRIORA SW

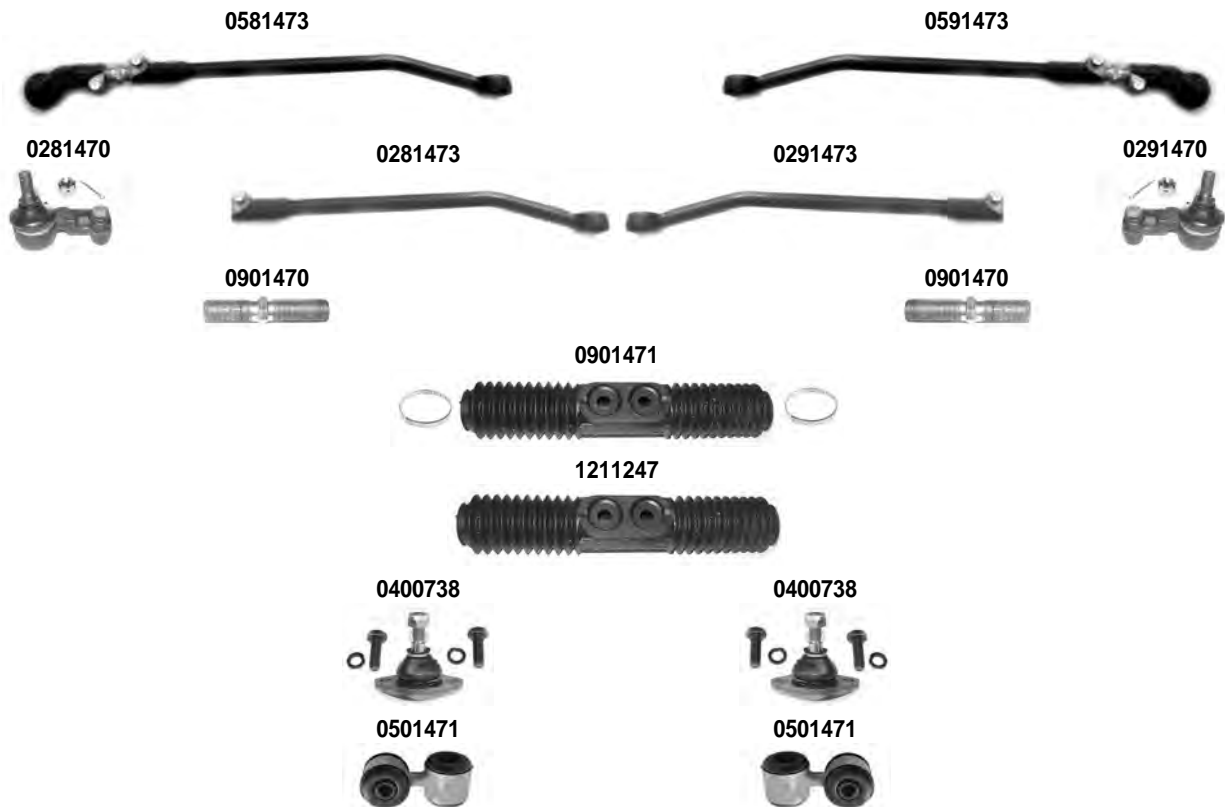
2170 - 2172
2171

12/2008 >
10/2009 >

Asse Anteriore



Front Axle



OCAP	O.E.		i	
0281470	2110-3414056	TESTA STERZO TIE ROD END		LHT M18x1,5
0281473	2110-3414052 *	TESTA STERZO TIE ROD END		RHT M18x1,5
0291470	2110-3414057	TESTA STERZO TIE ROD END		LHT M18x1,5
0291473	2110-3414053 *	TESTA STERZO TIE ROD END		RHT M18x1,5
0400738	2108-2904185	SNODO SOSPENSIONE BALL JOINT		
0501471	1118-2906050	STABILIZZATORE STABILIZER LINK		
0581473	2110-3414052	BARRA STERZO TIE ROD		
0591473	2110-3414053	BARRA STERZO TIE ROD		
0901470	2110-3414054	GIUNTO STERZO STEERING JOINT		RHT M18x1,5 LHT M18x1,5
0901471	2108-3401224 *	KIT CUFFIA STERZO STEERING GAITER KIT		
1211247	2108-3401224	CUFFIA STERZO STEERING GAITER		

DESTRO
RIGHT

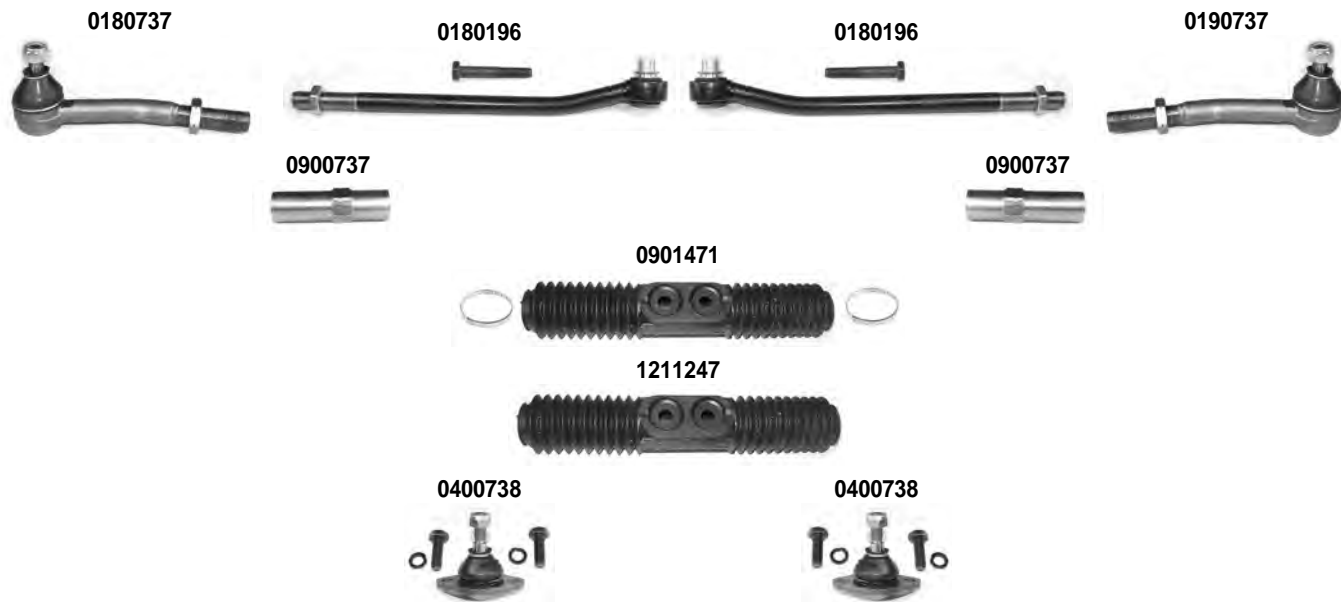


SINISTRO
LEFT

SAMARA	2108 - 2109	1986 >
---------------	-------------	--------

Asse Anteriore

Front Axle



OCAP	O.E.		
0180196	2108-3414060	TESTA STERZO TIE ROD END	RHT M18x1,5
0180737	2108-3414056	TESTA STERZO TIE ROD END	LHT M18x1,5
0190737	2108-3414057	TESTA STERZO TIE ROD END	LHT M18x1,5
0400738	2108-2904185	SNODO SOSPENSIONE BALL JOINT	
0900737	2108-3414054	GIUNTO STERZO STEERING JOINT	RHT M18x1,5 LHT M18x1,5
0901471	2108-3401224 *	KIT CUFFIA STERZO STEERING GAITER KIT	
1211247	2108-3401224	CUFFIA STERZO STEERING GAITER	

DESTRO
RIGHT

 SINISTRO
LEFT

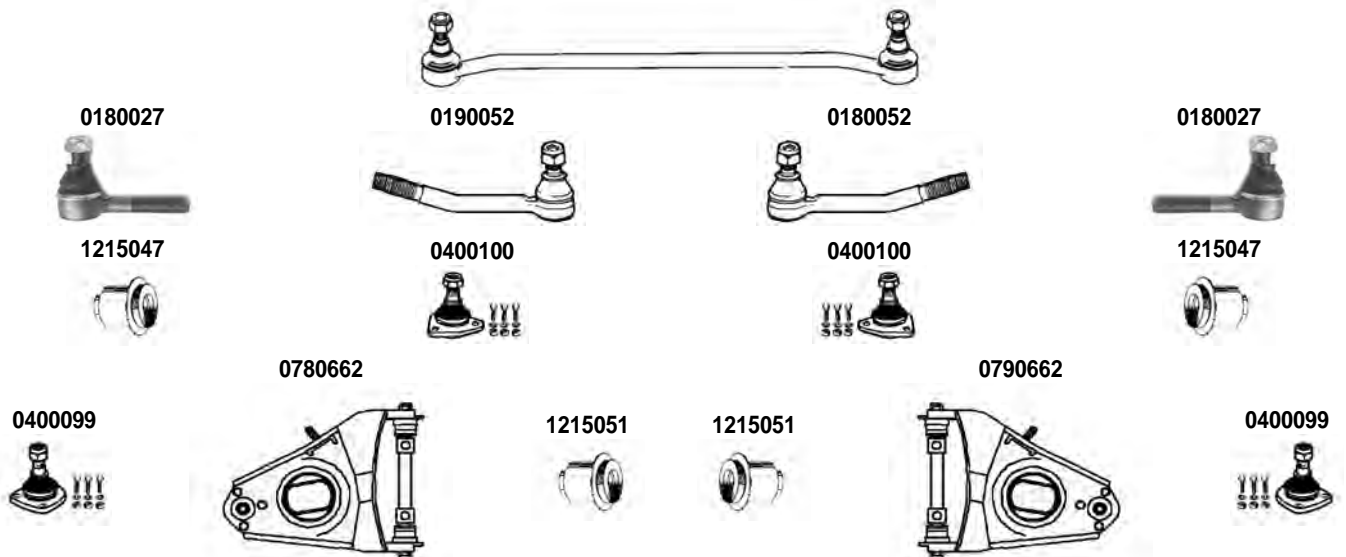
ZIGULI 1200/1300/1500/1600

1972 >

Asse Anteriore



Front Axle

0500710


OCAP	O.E.		
0180027	21013003057	TESTA STERZO <i>TIE ROD END</i>	RHT M16x1
0180052	21013003050	TESTA STERZO <i>TIE ROD END</i>	LHT M16x1
0190052	21013003064	TESTA STERZO <i>TIE ROD END</i>	LHT M16x1
0400099	21012904082	SNODO SOSPENSIONE - INFERIORE <i>BALL JOINT - LOWER</i>	
0400100	21012904192	SNODO SOSPENSIONE - SUPERIORE <i>BALL JOINT - UPPER</i>	
0500710	21013003011	BARRA STERZO <i>TIE ROD</i>	
0780662	21012904011	BRACCIO OSCILLANTE - INFERIORE <i>TRACK CONTROL ARM - LOWER</i>	
0790662	21012904010	BRACCIO OSCILLANTE - INFERIORE <i>TRACK CONTROL ARM - LOWER</i>	
1215047	-	SILENTBLOCK <i>BUSHING</i>	
1215051	-	SILENTBLOCK <i>BUSHING</i>	

DESTRO
RIGHT



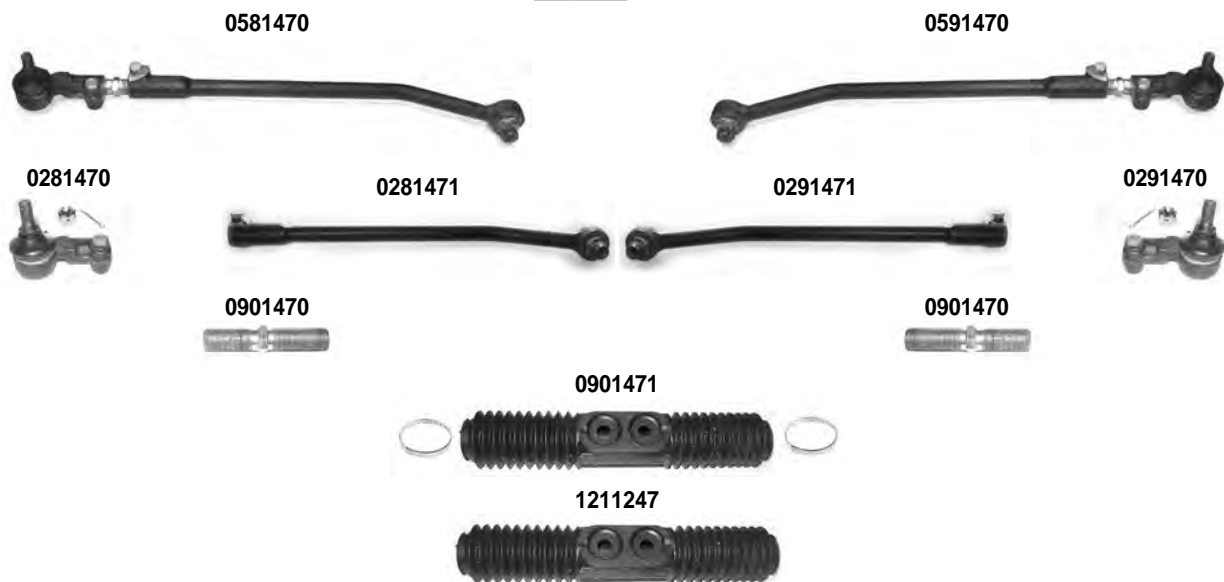
SINISTRO
LEFT

110 - 111 - 112	2110 - 2111 - 2112	1995 >
-----------------	--------------------	--------

Asse Anteriore



Front Axle



OCAP	O.E.		
0281470	2110-3414056	TESTA STERZO - ESTERNA TIE ROD END - OUTER	LHT M18x1,5
0281471	2110-3414058	TESTA STERZO - INTERNA TIE ROD END - INNER	RHT M18x1,5
0291470	2110-3414057	TESTA STERZO - ESTERNA TIE ROD END - OUTER	LHT M18x1,5
0291471	2110-3414059	TESTA STERZO - INTERNA TIE ROD END - INNER	RHT M18x1,5
0581470	2110-3414052	BARRA STERZO TIE ROD	
0591470	2110-3414053	BARRA STERZO TIE ROD	
0901470	2110-3414054	GIUNTO STERZO STEERING JOINT	RHT M18x1,5 LHT M18x1,5
0901471	2108-3401224 *	KIT CUFFIA STERZO STEERING GAITER KIT	
1211247	2108-3401224	CUFFIA STERZO STEERING GAITER	

DESTRO
RIGHT



SINISTRO
LEFT

400 GT

1966 > 1968

Asse Anteriore






Front Axle

0400106



0400106



OCAP	O.E.			
0400106	5100555	SNODO SOSPENSIONE - INFERIORE BALL JOINT - LOWER		

DESTRO
RIGHT



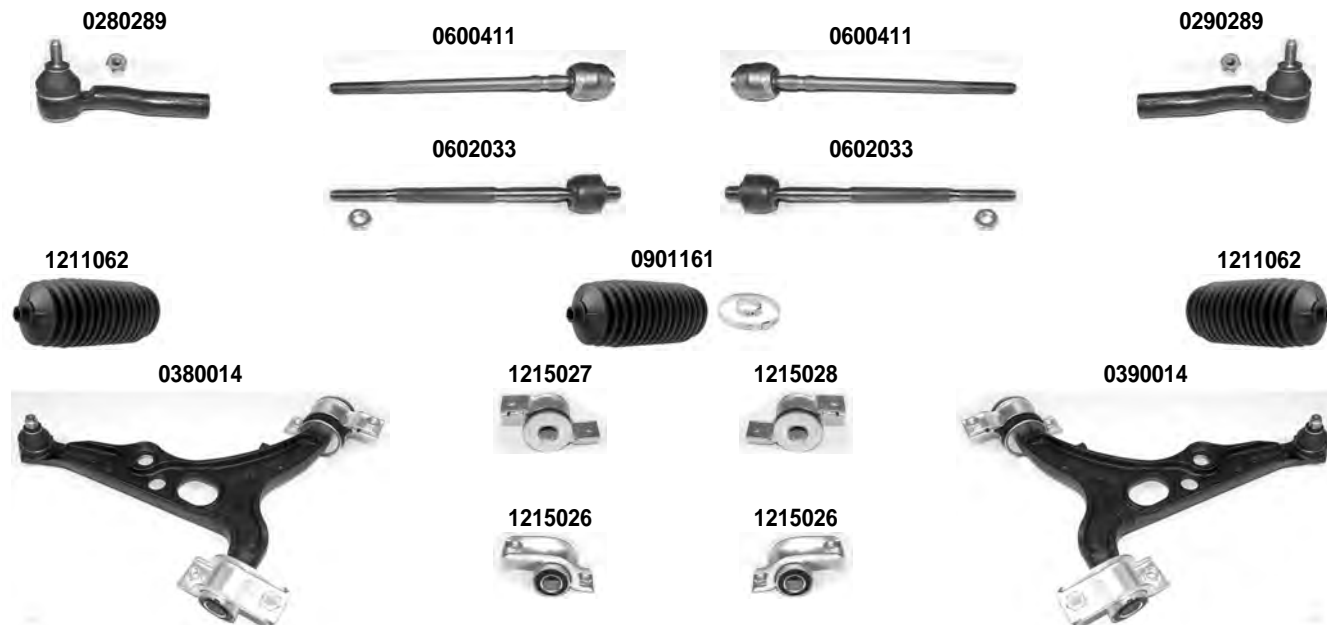
SINISTRO
LEFT

DEDRA	1990 >
-------	--------

Asse Anteriore



Front Axle



i 1) STERZO MANUALE - MANUAL STEERING 3) > CH. 7068090	2) SERVOSTERZO - POWER STEERING
--	---------------------------------

OCAP	O.E.		
0280289	9947438	TESTA STERZO TIE ROD END	RHT M12x1,5
0290289	9947437	TESTA STERZO TIE ROD END	RHT M12x1,5
0380014	93501181	BRACCIO OSCILLANTE - GHISA TRACK CONTROL ARM - CAST IRON	3) DIAM. 15 mm.
0390014	93501180	BRACCIO OSCILLANTE - GHISA TRACK CONTROL ARM - CAST IRON	3) DIAM. 15 mm.
0600411	7633721	SNODO ASSIALE AXIAL JOINT	1) RHT M12x1,5
0602033	9941625	SNODO ASSIALE AXIAL JOINT	2) RHT M12x1,5
0901161	9941582	KIT CUFFIA STERZO STEERING GAITER KIT	2)
1211062	7645160	CUFFIA STERZO STEERING GAITER	2)
1215026	7601064	SILENTBLOCK CENTRALE CENTRAL BUSHING	
1215027	7601068	SILENTBLOCK ESTREMO OUTER BUSHING	
1215028	7601065	SILENTBLOCK ESTREMO OUTER BUSHING	

DESTRO
RIGHT

 SINISTRO
LEFT

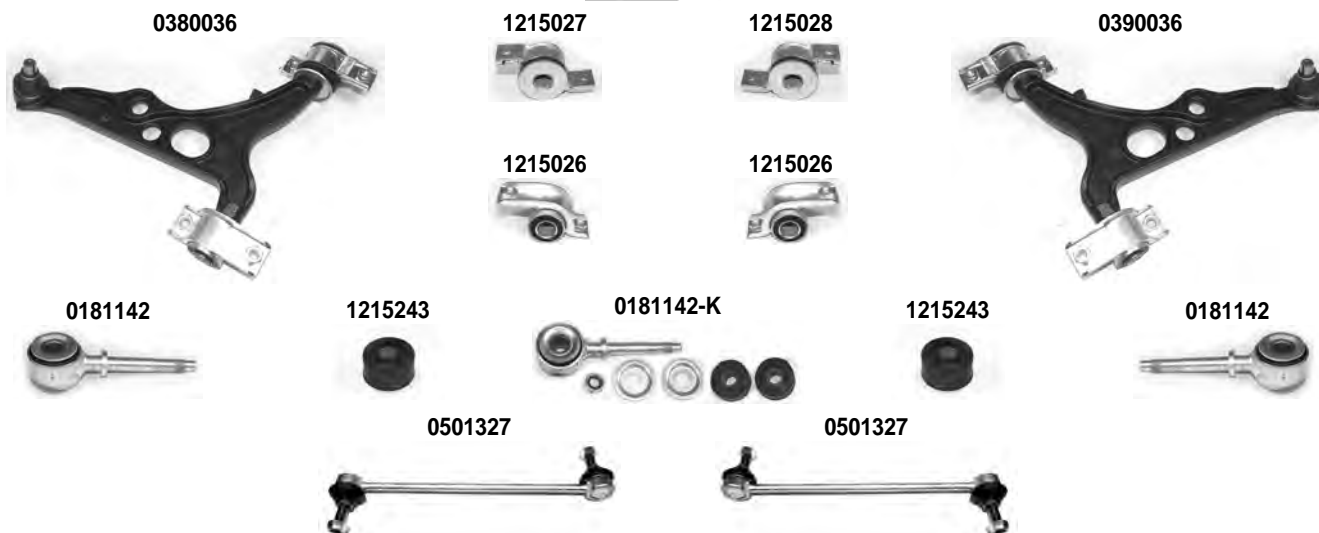
DEDRA

1990 >

Asse Anteriore



Front Axle



Asse Posteriore



Rear Axle


i 4) CH. 7068091 >

 5) SOLO PER - ONLY FOR: MOD. 580 MPI 16V - 1750 16V
1998 =>

OCAP	O.E.		
0181142	60570627	PUNTONO BARRA STABILIZZATRICE STABILIZER LINK	
0380036	7777240	BRACCIO OSCILLANTE TRACK CONTROL ARM	4) DIAM. 17 mm.
0390036	7777239	BRACCIO OSCILLANTE TRACK CONTROL ARM	4) DIAM. 17 mm.
0501327	51701045	STABILIZZATORE STABILIZER LINK	5)
0901911	46459723 *	KIT RIPARAZIONE BRACCIO REPAIRING KIT CONTROL ARM	
1215026	7601064	SILENTBLOCK CENTRALE CENTRAL BUSHING	
1215027	7601068	SILENTBLOCK ESTREMO OUTER BUSHING	
1215028	7601065	SILENTBLOCK ESTREMO OUTER BUSHING	
1215243	7601642	GOMMINO PUNTONO BARRA STABILIZZATRICE STABILIZER LINK BUSHING	
0181142-K	60570627 *	KIT PUNTONO BARRA STABILIZZATRICE STABILIZER LINK KIT	

DESTRO
RIGHT



SINISTRO
LEFT

DELTA - PRISMA

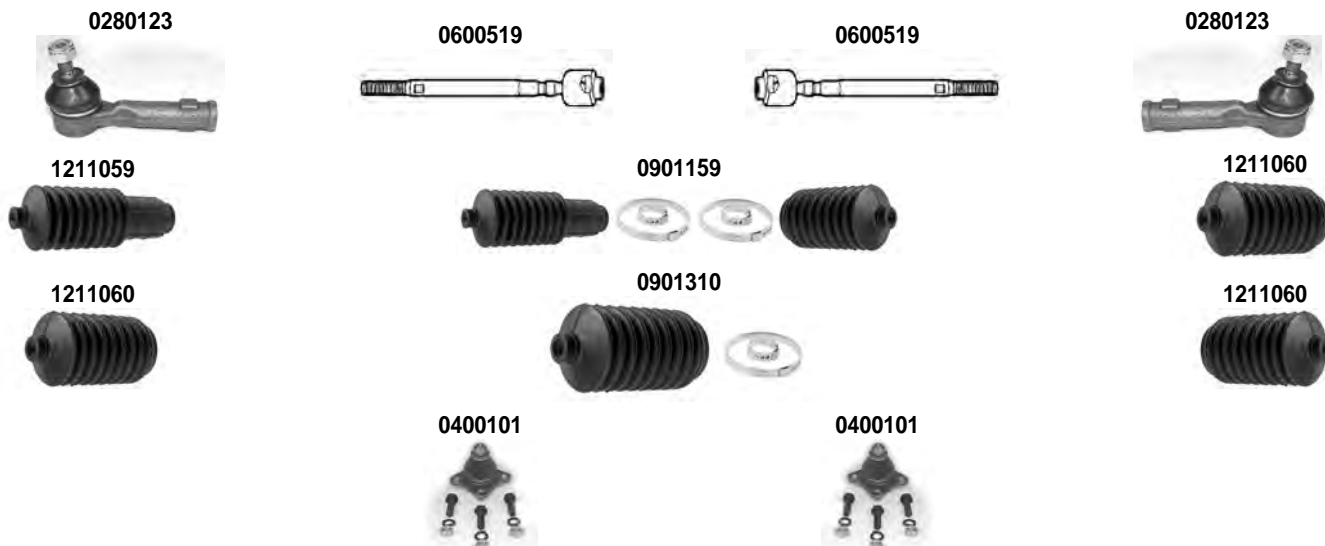
831

1979 > 1984

Asse Anteriore



Front Axle



i 1) STERZO MANUALE - MANUAL STEERING	2) SERVOSTERZO - POWER STEERING
--	--

OCAP	O.E.		i	
0280123	82351945	TESTA STERZO <i>TIE ROD END</i>		RHT M14x1,5
0400101	82346006	SNODO SOSPENSIONE - INFERIORE <i>BALL JOINT - LOWER</i>		
0600519	82355565	SNODO ASSIALE <i>AXIAL JOINT</i>		RHT M14x1,5
0901159	9939574	KIT CUFFIA STERZO <i>STEERING GAITER KIT</i>	1)	
0901310	-	KIT CUFFIA STERZO <i>STEERING GAITER KIT</i>	2)	
1211059	4371156	CUFFIA STERZO <i>STEERING GAITER</i>	1)	
1211060	4371155	CUFFIA STERZO <i>STEERING GAITER</i>	1)	

DESTRO
RIGHT

 SINISTRO
LEFT

DELTA - PRISMA

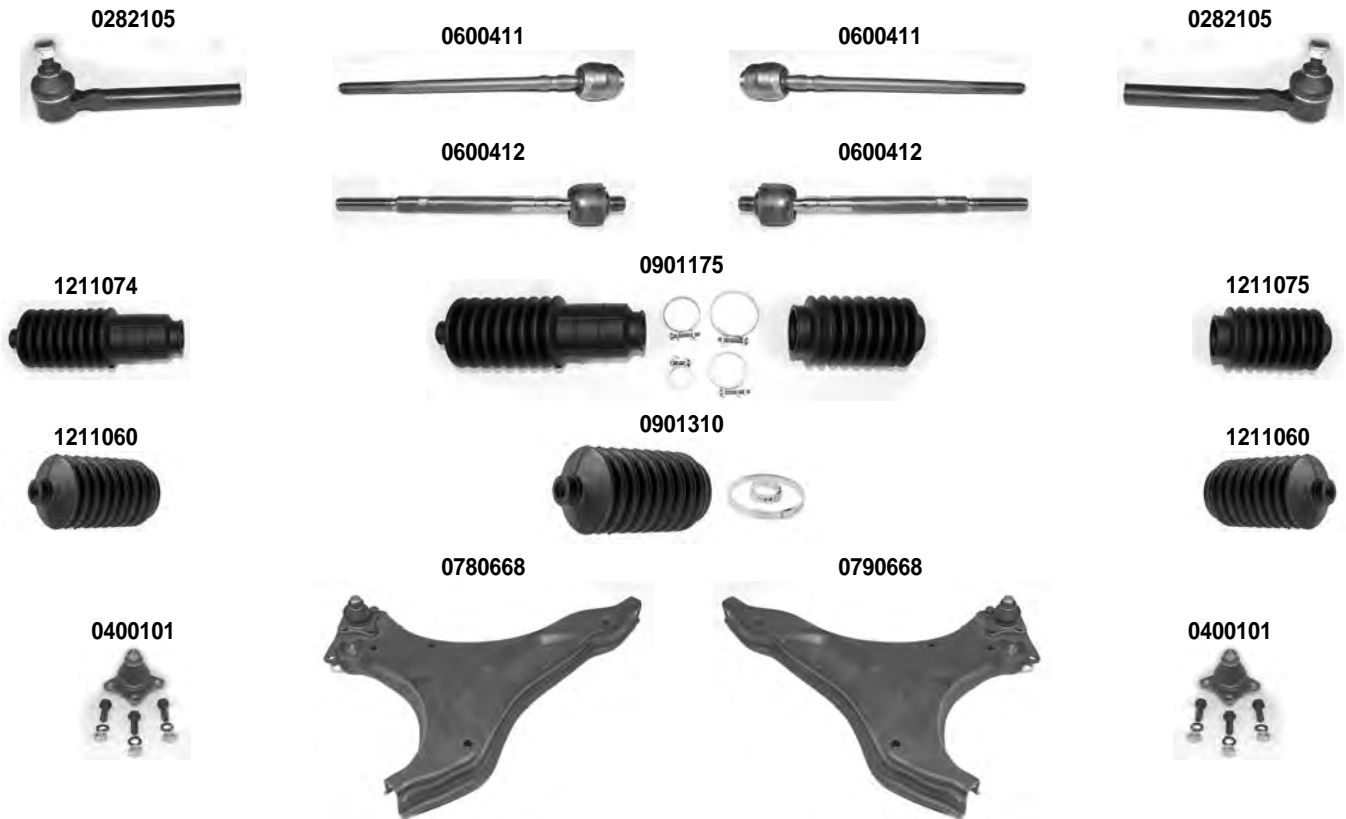
831

1985 > 1993

Asse Anteriore



Front Axle



i 1) STERZO MANUALE - MANUAL STEERING 3) ECCETTO - EXCEPT: MOD. 1.6 - 1.9			2) SERVOSTERZO - POWER STEERING	
OCAP	O.E.		i	
0282105	5966980	TESTA STERZO TIE ROD END		RHT M12x1,5
0400101	82346006	SNODO SOSPENSIONE - INFERIORE BALL JOINT - LOWER		
0600411	5958244	SNODO ASSIALE AXIAL JOINT	1)	RHT M12x1,5
0600412	9939038	SNODO ASSIALE AXIAL JOINT	2)	RHT M12x1,5
0780668	82370204	BRACCIO OSCILLANTE TRACK CONTROL ARM	3)	
0790668	82370203	BRACCIO OSCILLANTE TRACK CONTROL ARM	3)	
0901175	-	KIT CUFFIA STERZO STEERING GAITER KIT	1)	
0901310	-	KIT CUFFIA STERZO STEERING GAITER KIT	2)	
1211060	4371155	CUFFIA STERZO STEERING GAITER	2)	
1211074	7583243	CUFFIA STERZO STEERING GAITER	1)	
1211075	5978637	CUFFIA STERZO STEERING GAITER	1)	

DESTRO
RIGHT



SINISTRO
LEFT

DELTA - PRISMA

831

1985 > 1993

Asse Anteriore



Front Axle

1215378



1215377



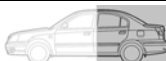
1215377



1215378



Asse Posteriore






Rear Axle

1215376



1215376



OCAP	O.E.			
1215376	82374408	BOCCOLA BARRA STABILIZZATRICE STABILIZING BAR BUSHING		
1215377	82379406	BOCCOLA BARRA STABILIZZATRICE STABILIZING BAR BUSHING		DIAM. 16 mm.
1215378	82351944	SUPPORTO BARRA STABILIZZATRICE STABILIZING BAR SUPPORT		

DESTRO
RIGHT

 SINISTRO
LEFT

DELTA HF INTEGRALE
DELTA HF EVO INTEGRALE

831

 1986 > 1992
 1993 > 1994

Asse Anteriore



Front Axle

0282029



0282029





0402197



0402197


i 1) SOLO PER - ONLY FOR: MOD. EVO

OCAP	O.E.		i	
0282029	82387676	TESTA STERZO TIE ROD END		RHT M14x1,5
0402197	82463956	SNODO SOSPENSIONE - INFERIORE BALL JOINT - LOWER	1)	

DELTA 1.4/1.6/1.8/2.0 16V

DESTRO
RIGHT



SINISTRO
LEFT

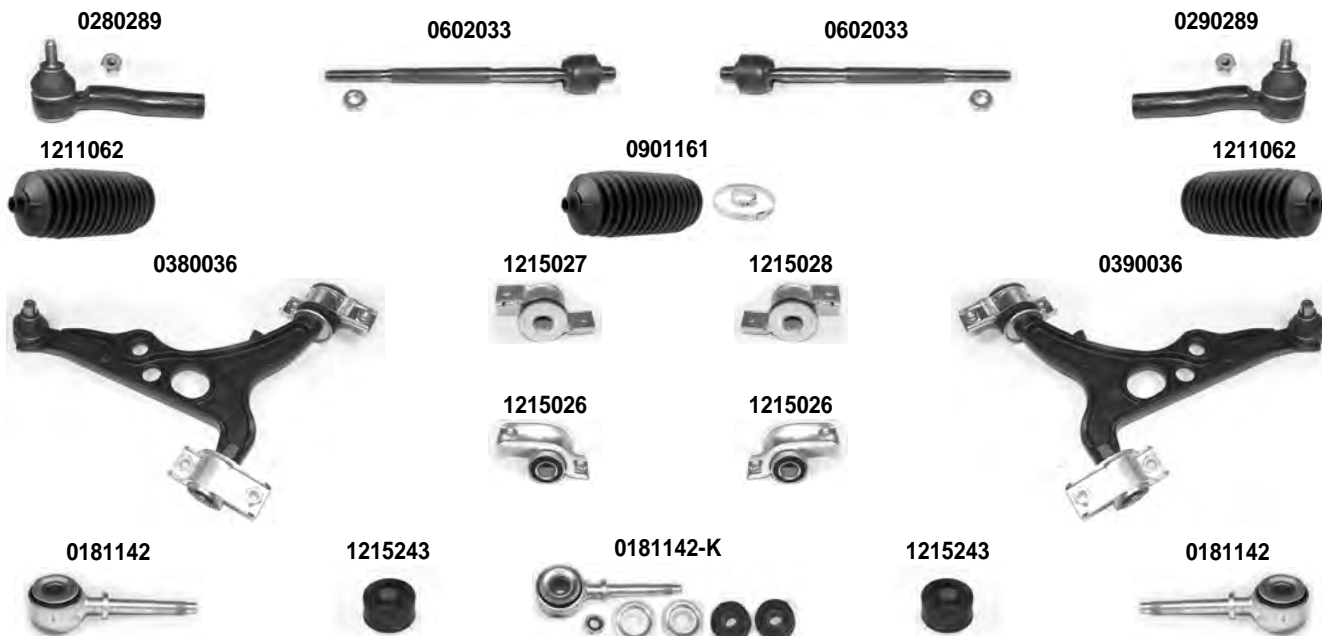
DELTA 1.4/1.6/1.8/2.0 16V

836 (EXCEPT TURBO)

1993 > 1999

Asse Anteriore

Front Axle



OCAP	O.E.		
0181142	60570627	PUNTONE BARRA STABILIZZATRICE STABILIZER LINK	
0280289	60809494	TESTA STERZO TIE ROD END	RHT M12x1,5
0290289	60809495	TESTA STERZO TIE ROD END	RHT M12x1,5
0380036	7777240	BRACCIO OSCILLANTE TRACK CONTROL ARM	DIAM. 17 mm.
0390036	7777239	BRACCIO OSCILLANTE TRACK CONTROL ARM	DIAM. 17 mm.
0602033	9941625	SNODO ASSIALE AXIAL JOINT	RHT M12x1,5
0901161	9941582	KIT CUFFIE STERZO STEERING GAITER KIT	
1211062	7645160	CUFFIA STERZO STEERING GAITER	
1215026	7601064	SILENTBLOCK CENTRALE CENTRAL BUSHING	
1215027	7601068	SILENTBLOCK ESTREMO OUTER BUSHING	
1215028	7601065	SILENTBLOCK ESTREMO OUTER BUSHING	
1215243	7601642	GOMMINO PUNTONE BARRA STABILIZZATRICE STABILIZER LINK BUSHING	
0181142-K	60570627 *	KIT PUNTONE BARRA STABILIZZATRICE STABILIZER LINK KIT	

DESTRO
RIGHT

 SINISTRO
LEFT

DELTA TURBO DIESEL - 2.0 16V TURBO

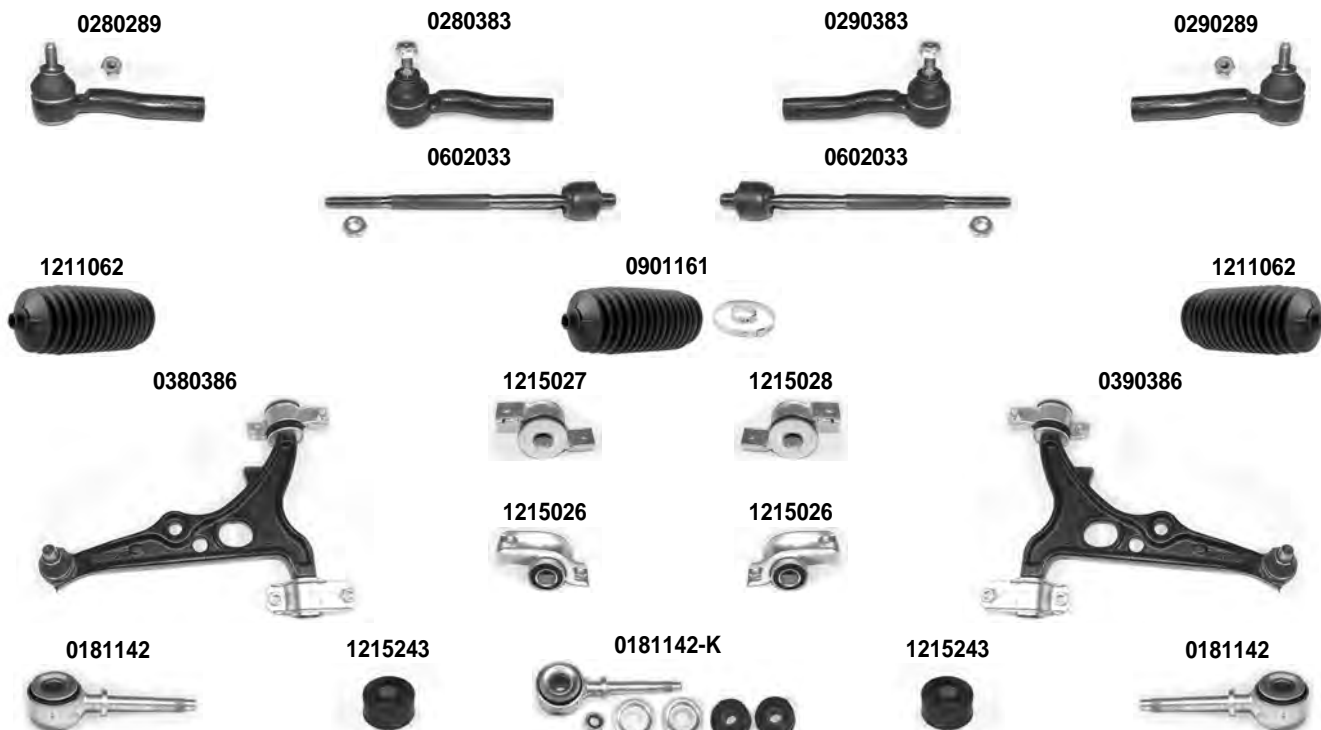
836

1993 > 1999

Asse Anteriore



Front Axle



i 1) SOLO PER - ONLY FOR: MOD. TURBO DIESEL	2) SOLO PER - ONLY FOR: MOD. 2.0 16V TURBO
--	---

OCAP	O.E.		i	
0181142	60570627	PUNTONE BARRA STABILIZZATRICE STABILIZER LINK		
0280289	9947438	TESTA STERZO TIE ROD END	1)	RHT M12x1,5
0280383	9947436	TESTA STERZO TIE ROD END	2)	RHT M12x1,5
0290289	9947437	TESTA STERZO TIE ROD END	1)	RHT M12x1,5
0290383	9947435	TESTA STERZO TIE ROD END	2)	RHT M12x1,5
0380386	46474557	BRACCIO OSCILLANTE TRACK CONTROL ARM		DIAM. 17 mm.
0390386	46474556	BRACCIO OSCILLANTE TRACK CONTROL ARM		DIAM. 17 mm.
0602033	9941625	SNODO ASSIALE AXIAL JOINT		RHT M12x1,5
0901161	9941582	KIT CUFFIE STERZO STEERING GAITER KIT		
1211062	7645160	CUFFIA STERZO STEERING GAITER		
1215026	7601064	SILENTBLOCK CENTRALE CENTRAL BUSHING		
1215027	7601068	SILENTBLOCK ESTREMO OUTER BUSHING		
1215028	7601065	SILENTBLOCK ESTREMO OUTER BUSHING		
1215243	7601642	GOMMINO PUNTONE BARRA STABILIZZATRICE STABILIZER LINK BUSHING		
0181142-K	60570627 *	KIT PUNTONE BARRA STABILIZZATRICE STABILIZER LINK KIT		

DESTRO
RIGHT



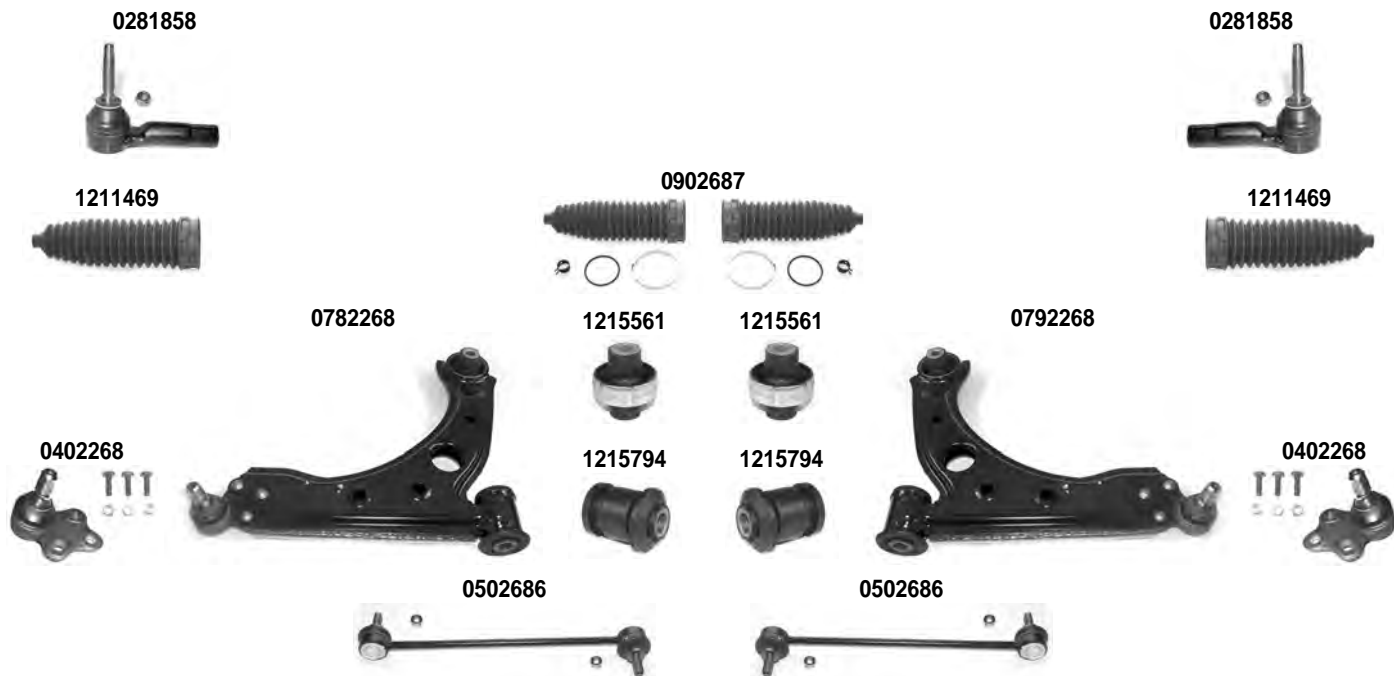
SINISTRO
LEFT

DELTA	844	2008 >
--------------	-----	--------

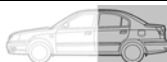
Asse Anteriore



Front Axle



Asse Posteriore



Rear Axle



OCAP	O.E.		i	
0281858	9949218	TESTA STERZO TIE ROD END		RHT M14x1,5
0402268	51827737 *	SNODO SOSPENSIONE BALL JOINT		
0502686	51801136	STABILIZZATORE STABILIZER LINK		
0782268	51827737	BRACCIO OSCILLANTE - INFERIORE TRACK CONTROL ARM - LOWER		
0792268	51827736	BRACCIO OSCILLANTE - INFERIORE TRACK CONTROL ARM - LOWER		
0902687	77364341	KIT CUFFIE STERZO STEERING GAITER KIT		
1211469	77364341 *	CUFFIA STERZO STEERING GAITER		
1215561	50700778	SILENTBLOCK - ESTREMO BUSHING - OUTER		
1215562	51840600	SILENTBLOCK BUSHING		
1215794	51983599	SILENTBLOCK - CENTRALE BUSHING - CENTRAL		

DESTRO
RIGHT



SINISTRO
LEFT

**FULVIA
GAMMA**

II - III

1972 >
1981 >

Asse Anteriore



Front Axle



i 1) SOLO PER - ONLY FOR: MOD. FULVIA 2) SOLO PER - ONLY FOR: MOD. GAMMA

OCAP	O.E.		i	
0180027	82275679	TESTA STERZO TIE ROD END	1)	RHT M16x1
0190027	82275680	TESTA STERZO TIE ROD END	1)	LHT M16x1
0190099	82315790	TESTA STERZO TIE ROD END	2)	LHT M16x1
0400007	4356569	SNODO SOSPENSIONE - SUPERIORE BALL JOINT - UPPER	1)	
0402104	82276856	SNODO SOSPENSIONE - INFERIORE BALL JOINT - LOWER	1)	

DESTRO
RIGHT



SINISTRO
LEFT

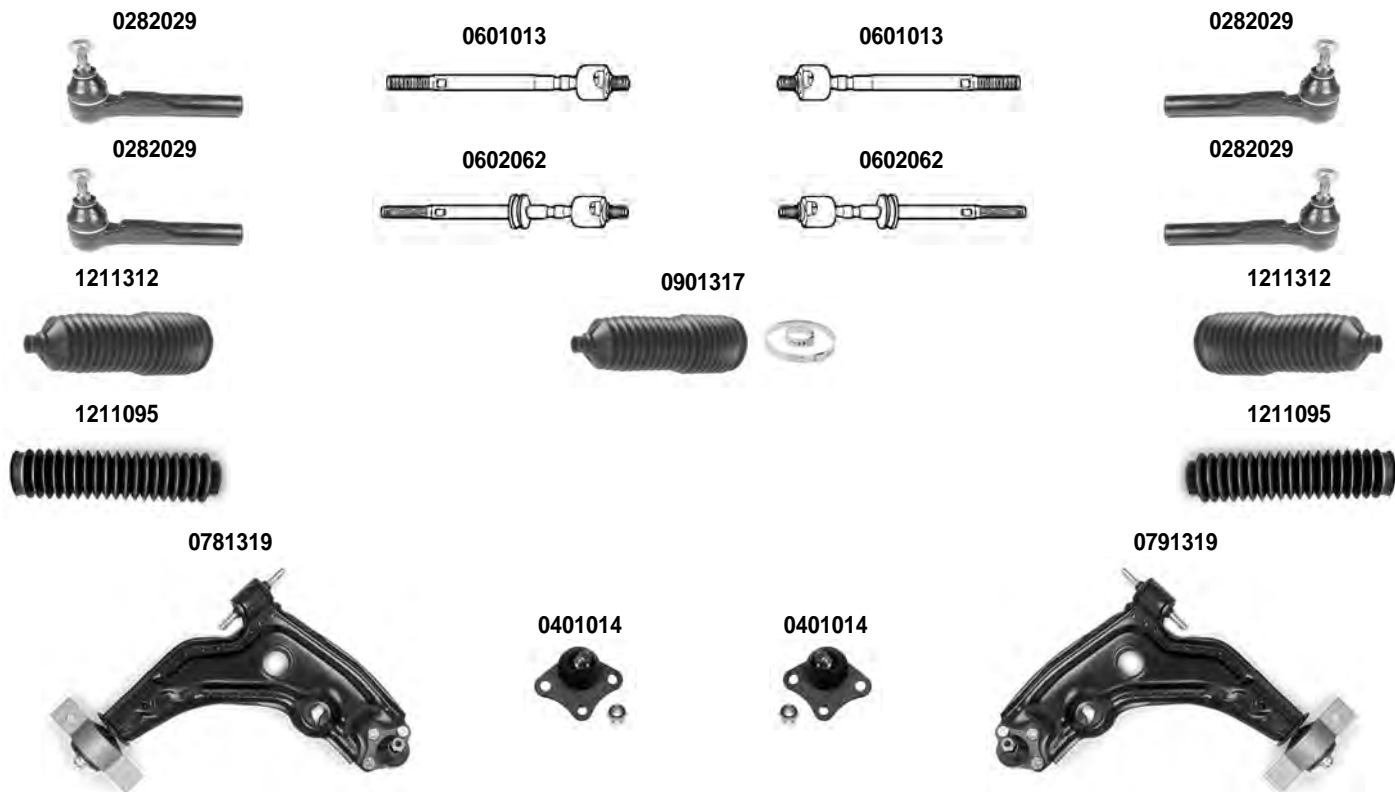
KAPPA

1995 >

Asse Anteriore



Front Axle



i 1) SERVOSTERZO - POWER STEERING	2) SERVOTRONIC
--	----------------

OCAP	O.E.		i	
0282029	82387676	TESTA STERZO TIE ROD END	1)	RHT M14x1,5
0401014	82480099	SNODO SOSPENSIONE - INFERIORE BALL JOINT - LOWER		
0601013	9946815	SNODO ASSIALE AXIAL JOINT	1)	RHT M14x1,5
0602062	9947189 *	SNODO ASSIALE AXIAL JOINT	2)	RHT M14x1,5
0781319	46402877	BRACCIO OSCILLANTE - INFERIORE TRACK CONTROL ARM - LOWER		
0791319	46402876	BRACCIO OSCILLANTE - INFERIORE TRACK CONTROL ARM - LOWER		
0901317	9946816	KIT CUFFIE STERZO STEERING GAITER KIT	1)	
1211095	9941293	CUFFIA STERZO STEERING GAITER	2)	
1211312	9946816 *	CUFFIA STERZO STEERING GAITER	1)	

DESTRO
RIGHT



SINISTRO
LEFT

KAPPA

1995 >

Asse Anteriore



Front Axle

0502852



1215421



1215421



0502852



Asse Posteriore



Rear Axle

0191016



0501016



0181016



0181016



0501016



0191016



0501426



0501321






0501321



0501426



OCAP	O.E.			
0181016	82490744	TESTA SOSPENSIONE INTERNA BALL JOINT		
0191016	82490745	TESTA SOSPENSIONE ESTERNA BALL JOINT		
0501016	82490743	BARRA SOSPENSIONE ROD ASSY		
0501321	7784388	ASTA SOSPENSIONE SUSPENSION CROSS ROD		
0501426	46462049	STABILIZZATORE STABILIZER LINK		
0502852	-	PUNTONE BARRA STABILIZZATRICE STABILIZER LINK		
1215421	46402696	BOCCOLA BARRA STABILIZZATRICE STABILIZING BAR BUSHING		DIAM. 19 mm.

DESTRO
RIGHT



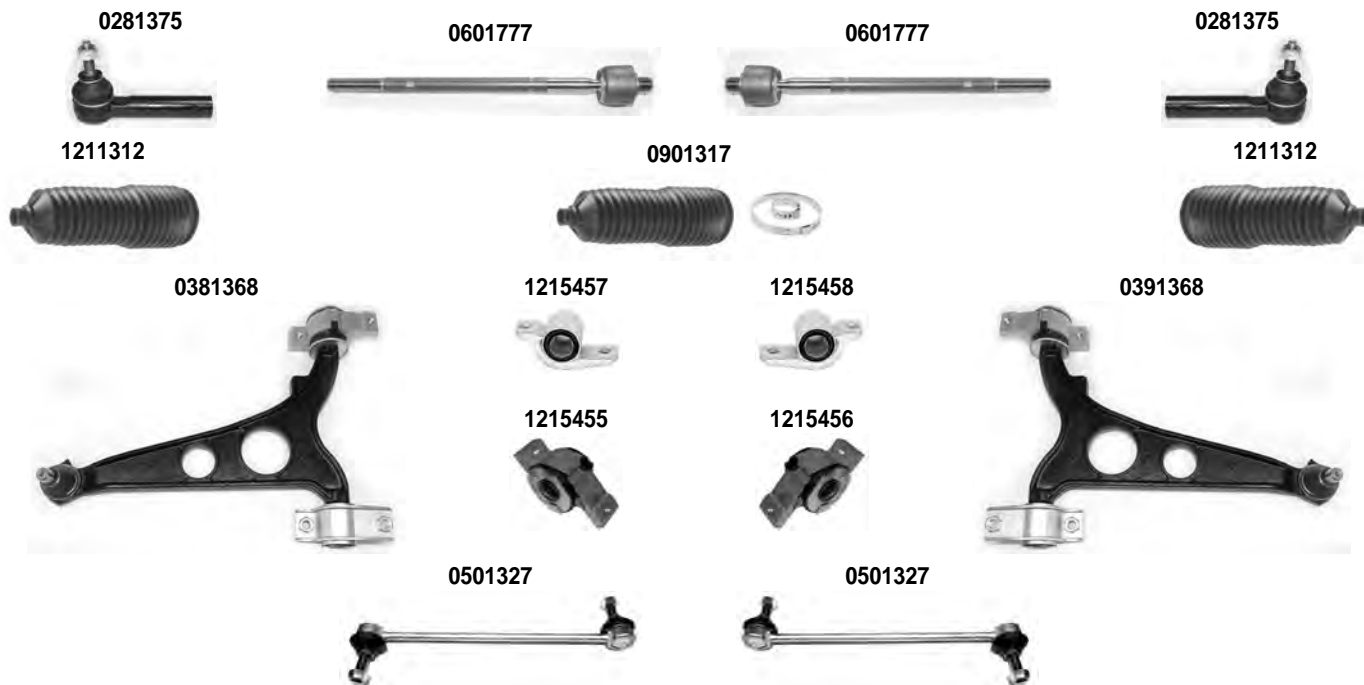
SINISTRO
LEFT

LYBRA	839	1999 > 2005
--------------	-----	-------------

Asse Anteriore



Front Axle



Asse Posteriore



Rear Axle



OCAP	O.E.		
0281375	9947720	TESTA STERZO TIE ROD END	RHT M14x1,5
0381368	46764747	BRACCIO OSCILLANTE TRACK CONTROL ARM	
0391368	46764746	BRACCIO OSCILLANTE TRACK CONTROL ARM	
0501327	51701045	STABILIZZATORE STABILIZER LINK	
0501780	46545749	STABILIZZATORE STABILIZER LINK	
0601777	9948296	SNODO ASSIALE AXIAL JOINT	RHT M14x1,5
0901317	9946816	KIT CUFFIE STERZO STEERING GAITER KIT	
1211312	9946816 *	CUFFIA STERZO STEERING GAITER	
1215455	46764747 *	SILENTBLOCK ESTREMO OUTER BUSHING	
1215456	46764746 *	SILENTBLOCK ESTREMO OUTER BUSHING	
1215457	46522142 *	SILENTBLOCK CENTRALE CENTRAL BUSHING	
1215458	46525407 *	SILENTBLOCK CENTRALE CENTRAL BUSHING	

DESTRO
RIGHT

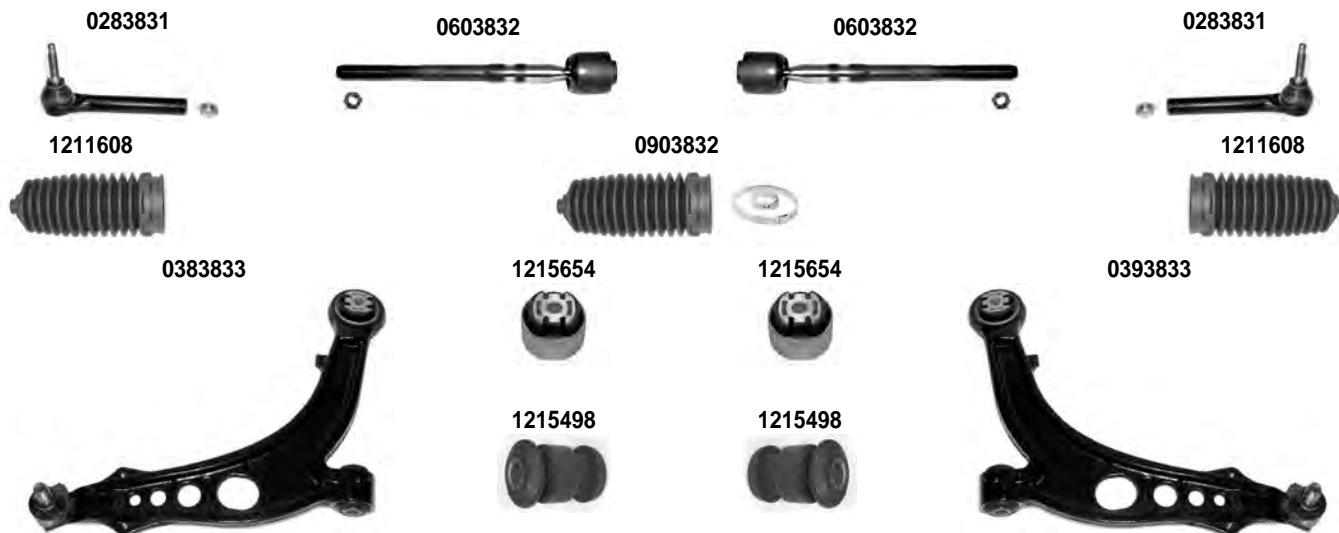
 SINISTRO
LEFT

MUSA	350	10/2004 >
------	-----	-----------

Asse Anteriore



Front Axle



OCAP	O.E.			
0283831	77362503	TESTA STERZO TIE ROD END		RHT M12x1,5
0383833	50703231	BRACCIO OSCILLANTE TRACK CONTROL ARM		
0393833	50703232	BRACCIO OSCILLANTE TRACK CONTROL ARM		
0603832	77362502	SNODO ASSIALE AXIAL JOINT		RHT M12x1,5
0903832	77362504	KIT CUFFIA STERZO STEERING GAITER KIT		
1211608	77362504 *	CUFFIA STERZO STEERING GAITER		
1215498	-	SILENTBLOCK CENTRALE CENTRAL BUSHING		
1215654	-	SILENTBLOCK ESTREMO OUTER BUSHING		

PHEDRA

DESTRO
RIGHT



SINISTRO
LEFT

PHEDRA

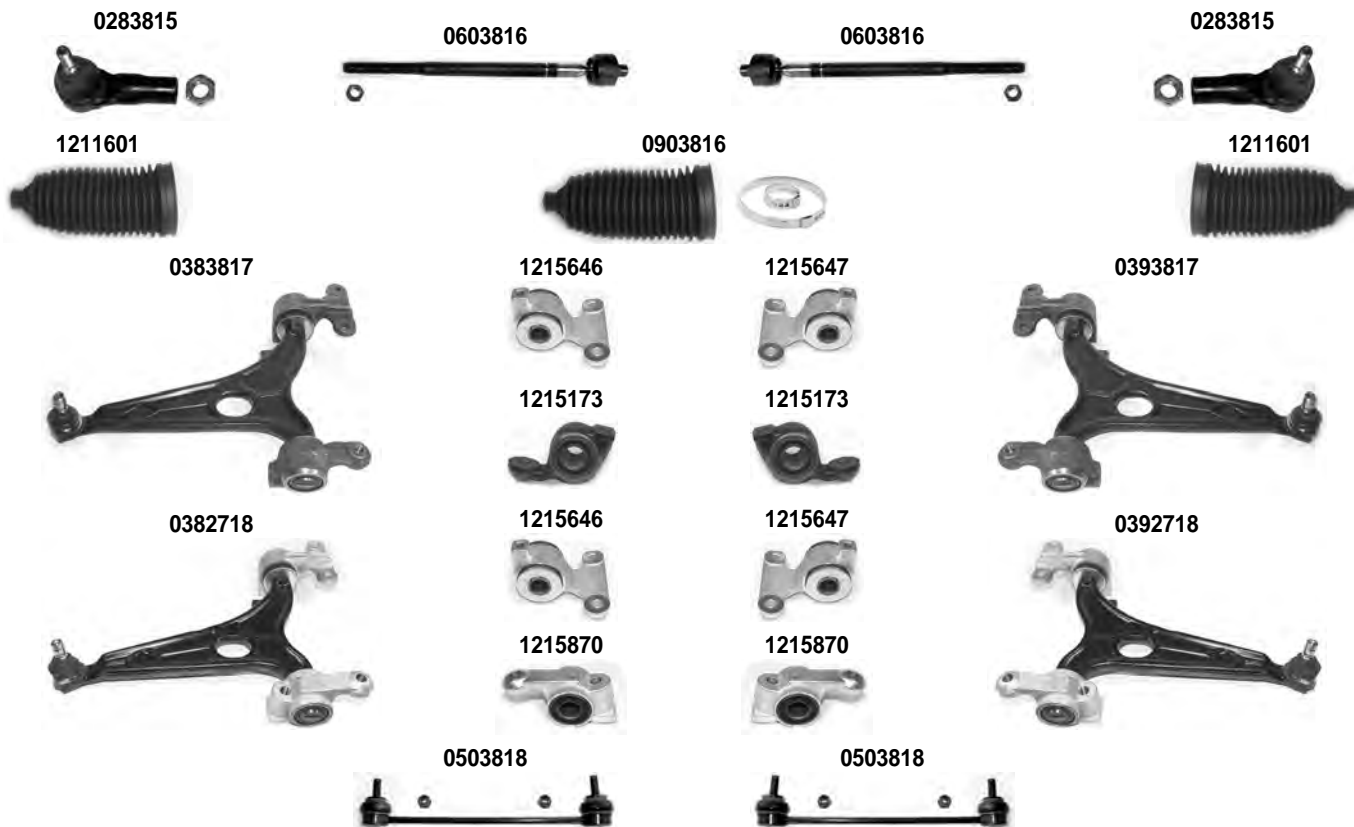
179

2002 > 2010

Asse Anteriore



Front Axle



i 1) > 06/2006 2) 07/2006 >

OCAP	O.E.		i	
0283815	77362279	TESTA STERZO TIE ROD END		RHT M14x1,5
0382718	1356061080	BRACCIO OSCILLANTE - ACCIAIO TRACK CONTROL ARM - STEEL	2)	
0383817	1346385080	BRACCIO OSCILLANTE - ACCIAIO TRACK CONTROL ARM - STEEL	1)	
0392718	1356060080	BRACCIO OSCILLANTE - ACCIAIO TRACK CONTROL ARM - STEEL	2)	
0393817	1346384080	BRACCIO OSCILLANTE - ACCIAIO TRACK CONTROL ARM - STEEL	1)	
0503818	1331209080	STABILIZZATORE STABILIZER LINK		
0603816	77362280	SNODO ASSIALE AXIAL JOINT		RHT M14x1,5
0903816	77362281	KIT CUFFIA STERZO STEERING GAITER KIT		
1211601	77362281 *	CUFFIA STERZO STEERING GAITER		
1215173	3521H1	SILENTBLOCK CENTRALE CENTRAL BUSHING		
1215646	1356061080 *	SILENTBLOCK ESTREMO OUTER BUSHING		
1215647	1356060080 *	SILENTBLOCK ESTREMO OUTER BUSHING		
1215870	-	SILENTBLOCK CENTRALE CENTRAL BUSHING		

DESTRO
RIGHT

 SINISTRO
LEFT

THEMA

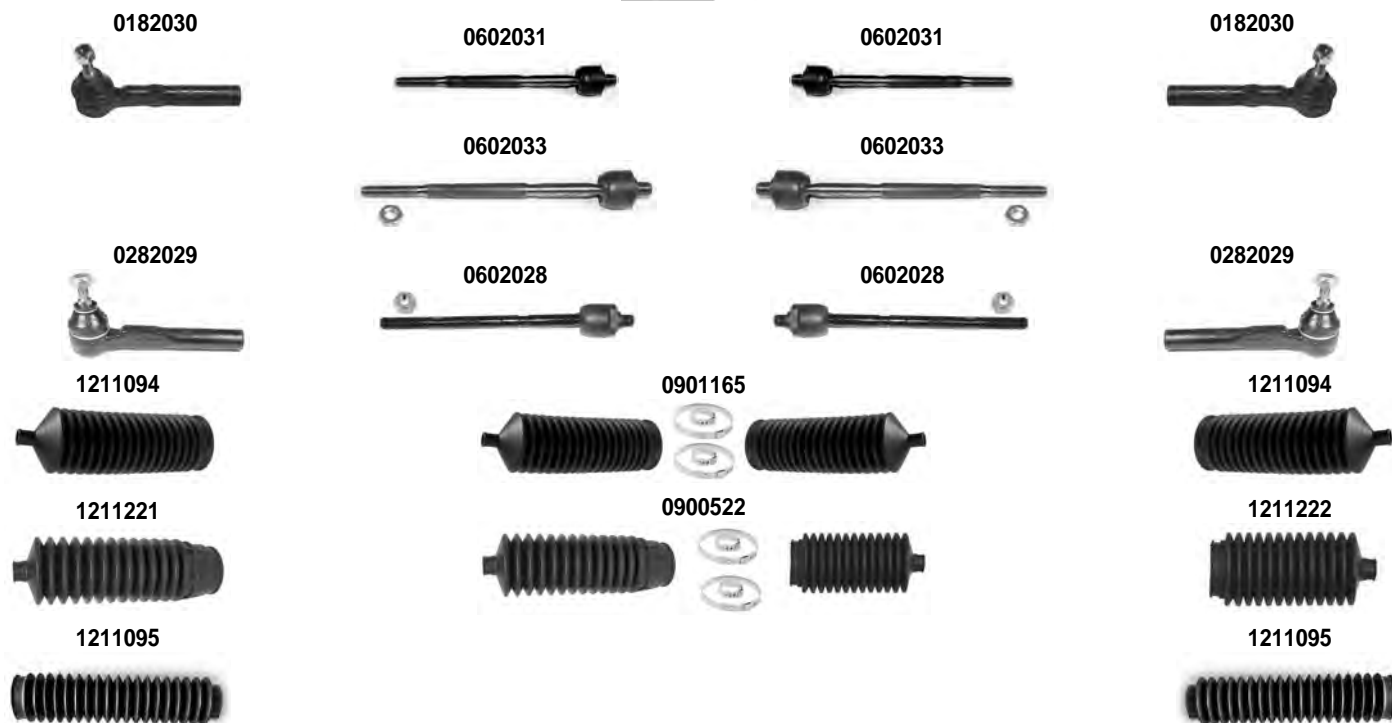
834

> 1994

Asse Anteriore



Front Axle



i 1) >1986 3) SERVOSTERZO - POWER STEERING 5) MOD. SERVOTRONIC	2) STERZO MANUALE - MANUAL STEERING 4) 1987 >
---	--

OCAP	O.E.		i	
0182030	9939556	TESTA STERZO TIE ROD END	1)	RHT M12x1,5
0282029	82387676	TESTA STERZO TIE ROD END	3) 4) 5)	RHT M14x1,5
0602028	9945585	SNODO ASSIALE AXIAL JOINT	3) 4) 5)	RHT M14x1,5
0602031	9939557	SNODO ASSIALE AXIAL JOINT	1) 2)	RHT M12x1,5
0602033	9939675	SNODO ASSIALE AXIAL JOINT	1) 3)	RHT M12x1,5
0900522	9938779	KIT CUFFIA STERZO STEERING GAITER KIT	3)	
0901165	-	KIT CUFFIA STERZO STEERING GAITER KIT	2)	
1211094	9939555	CUFFIA STERZO STEERING GAITER	2)	
1211095	9941293	CUFFIA STERZO - MOD. SERVOTRONIC STEERING GAITER	5)	
1211221	60760026	CUFFIA STERZO STEERING GAITER	3)	
1211222	-	CUFFIA STERZO STEERING GAITER	3)	

DESTRO
RIGHT



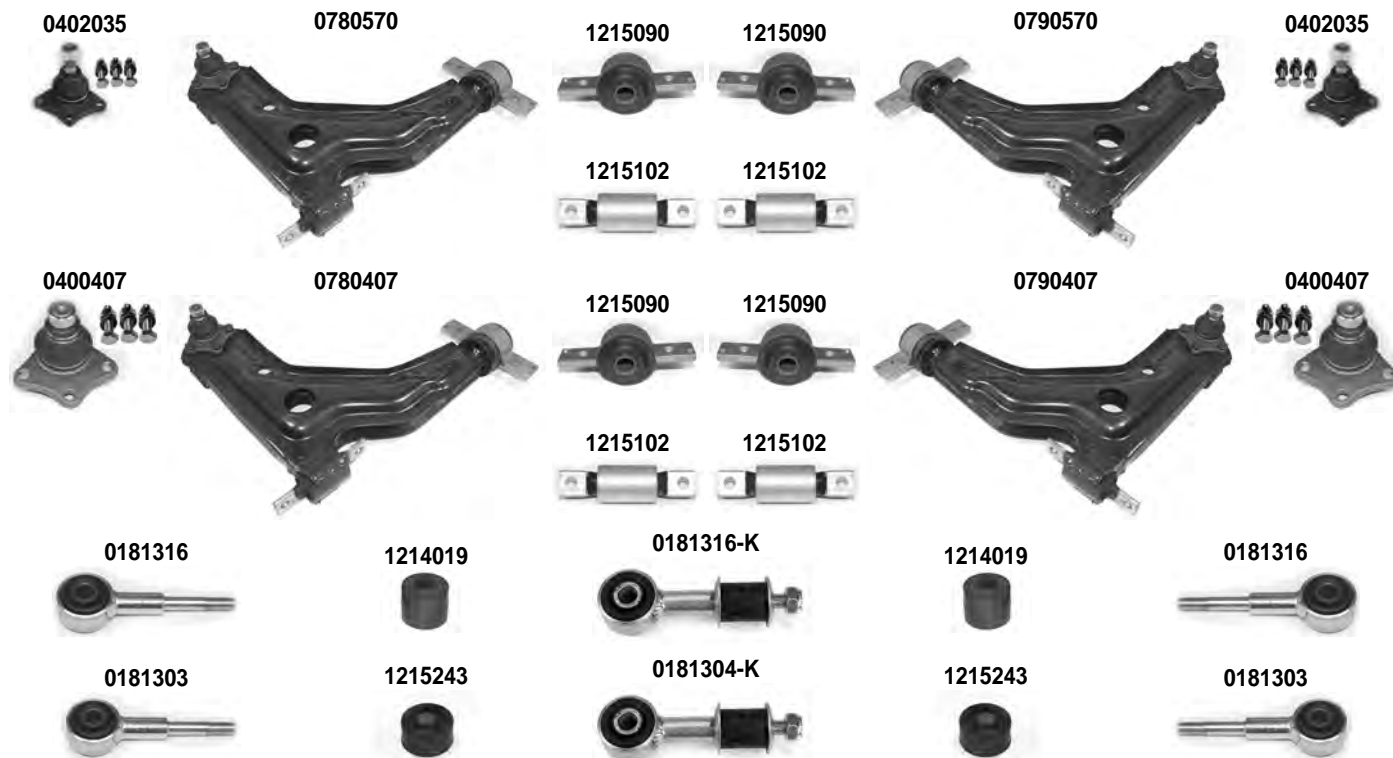
SINISTRO
LEFT

THEMA	834	> 1994
-------	-----	--------

Asse Anteriore



Front Axle



i 6) > CH. 0294135	7) CH. 0294136 >
---------------------------	------------------

OCAP	O.E.		i	
0181303	60808278	PUNTONE BARRA STABILIZZATRICE STABILIZER LINK	7)	
0181316	82443635	PUNTONE BARRA STABILIZZATRICE STABILIZER LINK	6)	
0400407	82420623	SNODO SOSPENSIONE BALL JOINT		DIAM. 20 mm.
0402035	82398170	SNODO SOSPENSIONE BALL JOINT		DIAM. 13 mm.
0780407	-	BRACCIO OSCILLANTE - INFERIORE TRACK CONTROL ARM - LOWER		FORO - HOLE DIAM. 20 mm.
0780570	-	BRACCIO OSCILLANTE - INFERIORE TRACK CONTROL ARM - LOWER		FORO - HOLE DIAM. 14 mm.
0790407	-	BRACCIO OSCILLANTE - INFERIORE TRACK CONTROL ARM - LOWER		FORO - HOLE DIAM. 20 mm.
0790570	-	BRACCIO OSCILLANTE - INFERIORE TRACK CONTROL ARM - LOWER		FORO - HOLE DIAM. 14 mm.
1214019	83398688	GOMMINO BARRA STABILIZZATRICE STABILIZER LINK BUSHING	6)	
1215090	82388433	SILENTBLOCK ESTREMO OUTER BUSHING		
1215102	-	SILENTBLOCK CENTRALE CENTRAL BUSHING		
1215243	7601642	GOMMINO BARRA STABILIZZATRICE STABILIZER LINK BUSHING	7)	
0181304-K	82457524 *	KIT PUNTONE BARRA STABILIZZATRICE STABILIZER LINK KIT	7)	
0181316-K	-	KIT PUNTONE BARRA STABILIZZATRICE STABILIZER LINK KIT	6)	

DESTRO
RIGHT



SINISTRO
LEFT

THEISIS

841

2002 > 2009

Asse Anteriore



Front Axle

0283082



0604207



0604207





0293082



0903082



OCAP	O.E.		
0283082	9947920	TESTA STERZO TIE ROD END	RHT M14x1,5
0293082	9947919	TESTA STERZO TIE ROD END	RHT M14x1,5
0604207	9949311	SNODO ASSIALE AXIAL JOINT	RHT M14x1,5
0903082	9951287	KIT CUFFIA STERZO STEERING GAITER KIT	

DESTRO
RIGHT



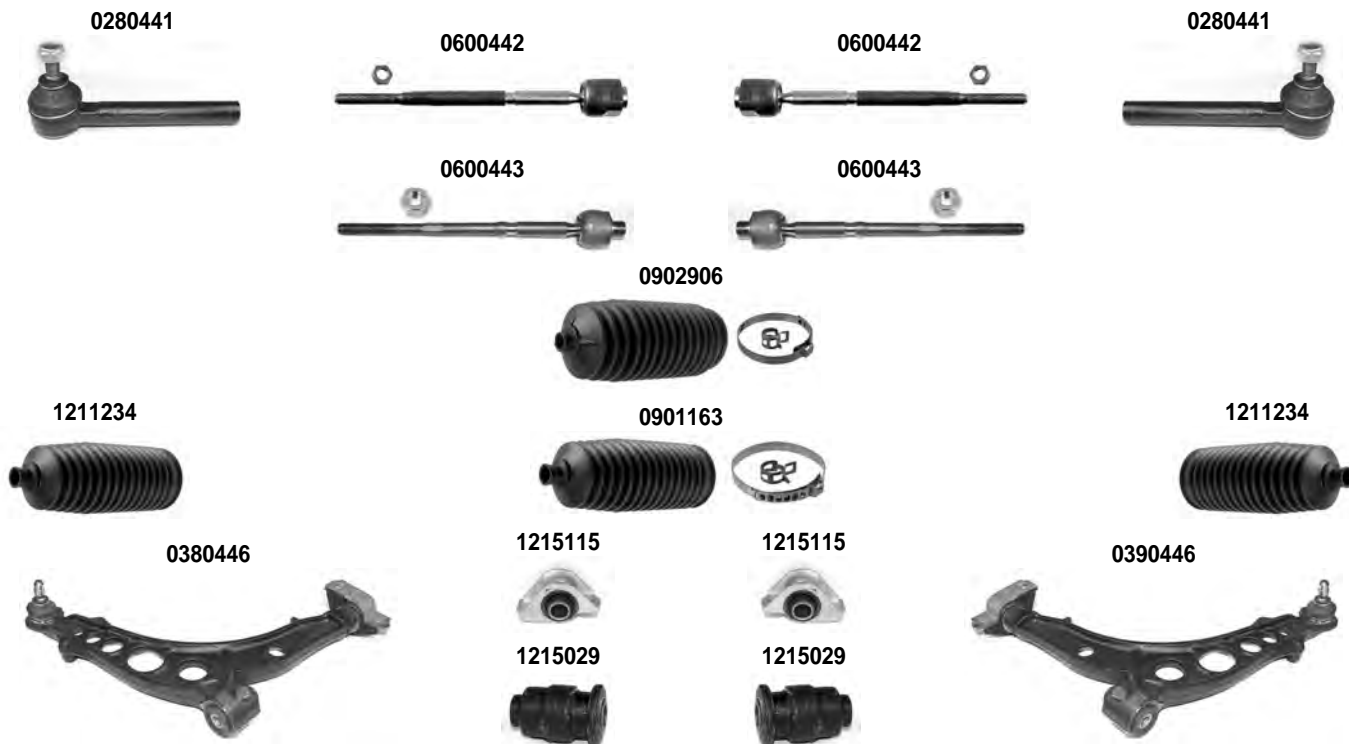
SINISTRO
LEFT

Y	840	1995 > 2003
---	-----	-------------

Asse Anteriore



Front Axle



i 1) STERZO MANUALE - MANUAL STEERING	2) SERVOSTERZO - POWER STEERING
--	---------------------------------

OCAP	O.E.		i	
0280441	9946949	TESTA STERZO TIE ROD END		RHT M12x1,5
0380446	46430003	BRACCIO OSCILLANTE TRACK CONTROL ARM		
0390446	46430002	BRACCIO OSCILLANTE TRACK CONTROL ARM		
0600442	9946948	SNODO ASSIALE AXIAL JOINT	1)	RHT M12x1,5
0600443	9945562	SNODO ASSIALE AXIAL JOINT	2)	RHT M12x1,5
0901163	9945564	KIT CUFFIA STERZO STEERING GAITER KIT	2)	
0902906	9946947	KIT CUFFIA STERZO STEERING GAITER KIT	1)	
1211234	9945564 *	CUFFIA STERZO STEERING GAITER	2)	
1215029	7673581	SILENTBLOCK CENTRALE CENTRAL BUSHING		
1215115	-	SILENTBLOCK ESTREMO OUTER BUSHING		

DESTRO
RIGHT



SINISTRO
LEFT

Y	840	1995 > 2003
---	-----	-------------

Asse Posteriore



Rear Axle



<p>i 3) SOLO PER - ONLY FOR: MOD. SENZA ANTISKID - WITHOUT ANTISKID 3) MODELLI SENZA ANTISKID - MODELS WITHOUT ANTISKID</p>	<p>4) SOLO PER - ONLY FOR: MOD. CON ANTISKID - WITH ANTISKID - > VET. 3336902 - TO > CAR 3336902</p>
--	--

OCAP	O.E.		i	
0382334	7736515	BRACCIO OSCILLANTE - GHISA TRACK CONTROL ARM - CAST IRON	3)	
0382335	7769901	BRACCIO OSCILLANTE - GHISA TRACK CONTROL ARM - CAST IRON	4)	
0392334	7736514	BRACCIO OSCILLANTE - GHISA TRACK CONTROL ARM - CAST IRON	3)	
0392335	7769900	BRACCIO OSCILLANTE - GHISA TRACK CONTROL ARM - CAST IRON	4)	
0901910	7736515 *	KIT RIPARAZIONE BRACCIO OSCILLANTE COMPLETO TRACK CONTROL ARM REPAIRING KIT - COMPLETE		
0902334	7719062 *	KIT RIPARAZIONE BRACCIO OSCILLANTE TRACK CONTROL ARM REPAIRING KIT		
0382334-K	7736515 *	BRACCIO OSCILLANTE CON KIT- GHISA TRACK CONTROL ARM WITH KIT - CAST IRON	3)	
0392334-K	7736514 *	BRACCIO OSCILLANTE CON KIT- GHISA TRACK CONTROL ARM WITH KIT - CAST IRON	3)	

YPSILON

DESTRO
RIGHT



SINISTRO
LEFT

YPSILON	843	2003 > 2011
---------	-----	-------------

Asse Anteriore



Front Axle



OCAP	O.E.			
0284205	77362381	TESTA STERZO TIE ROD END		RHT M12x1,5
0383833	50703231	BRACCIO OSCILLANTE TRACK CONTROL ARM		
0393833	50703232	BRACCIO OSCILLANTE TRACK CONTROL ARM		
0604206	77362380	SNODO ASSIALE AXIAL JOINT		RHT M12x1,5
0904206	77362382	KIT CUFFIA STERZO STEERING GAITER KIT		
1211622	77362382 *	CUFFIA STERZO STEERING GAITER		
1215498	-	SILENTBLOCK CENTRALE CENTRAL BUSHING		
1215654	-	SILENTBLOCK ESTREMO OUTER BUSHING		

DESTRO
RIGHT



SINISTRO
LEFT

YPSILON

846

05/2011 >

Asse Anteriore



Front Axle



OCAP	O.E.		
0286493	77365815	TESTA STERZO TIE ROD END	RHT M12x1,5
0406493	51905058 *	SNODO SOSPENSIONE BALL JOINT - LOWER	
0502686	51801136	STABILIZZATORE STABILIZER LINK	
0786498	51905058	BRACCIO OSCILLANTE TRACK CONTROL ARM - LOWER	
0796498	51905057	BRACCIO OSCILLANTE TRACK CONTROL ARM - LOWER	
0903883	77362509	KIT CUFFIA STERZO STEERING GAITER KIT	
1211470	77362509 *	CUFFIA STERZO STEERING GAITER	
1215498	-	SILENTBLOCK CENTRALE CENTRAL BUSHING	
1216062	-	SILENTBLOCK ESTREMO OUTER BUSHING	

DESTRO
RIGHT



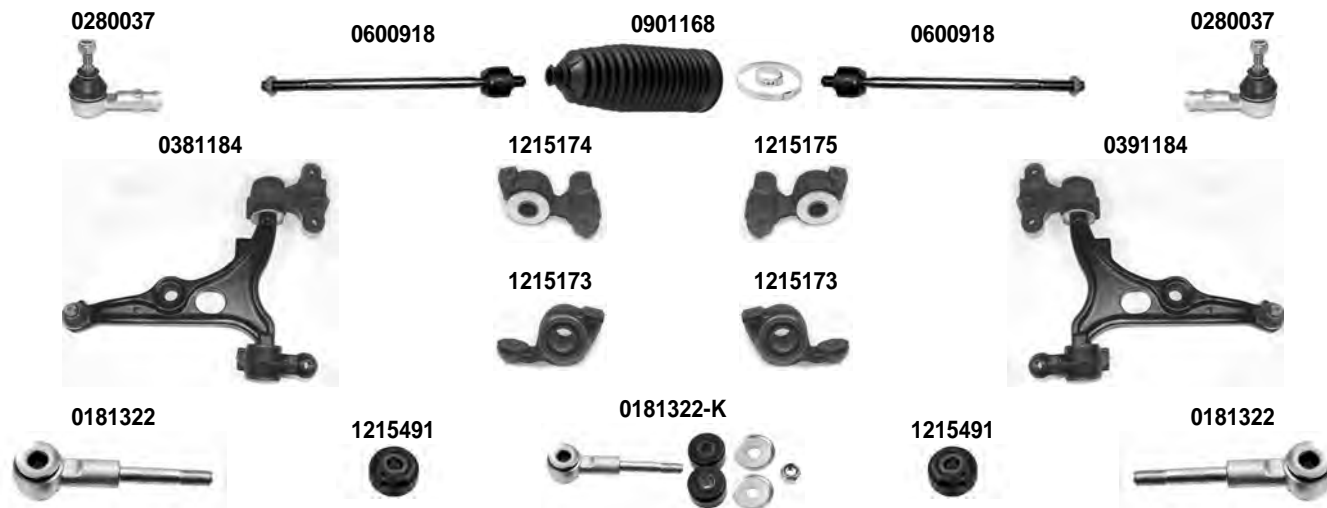
SINISTRO
LEFT

ZETA	220	1995 > 2002
------	-----	-------------

Asse Anteriore



Front Axle



Asse Posteriore



Rear Axle

1216436



1216436



OCAP	O.E.		i	
0181322	1317425080	PUNTONE BARRA STABILIZZATRICE STABILIZER LINK		
0280037	9404059080	TESTA STERZO TIE ROD END		RHT M14x1,5
0381184	71737048	BRACCIO OSCILLANTE - INFERIORE TRACK CONTROL ARM - LOWER		
0391184	71737047	BRACCIO OSCILLANTE - INFERIORE TRACK CONTROL ARM - LOWER		
0600918	9566950880	SNODO ASSIALE AXIAL JOINT		RHT M14x1,5
0901168	9404066418	KIT CUFFIE STERZO STEERING GAITER KIT		
1215173	3521H1	SILENTBLOCK CENTRALE CENTRAL BUSHING		
1215174	-	SILENTBLOCK ESTREMO OUTER BUSHING		
1215175	-	SILENTBLOCK ESTREMO OUTER BUSHING		
1215491	1313056080	GOMMINO PUNTONE BARRA STABILIZZATRICE STABILIZER LINK BUSHING		
1216436	515261	SILENTBLOCK BUSHING		
0181322-K	1317425080 *	KIT PUNTONE BARRA STABILIZZATRICE STABILIZER LINK KIT		

DESTRO
RIGHT



SINISTRO
LEFT

DEFENDER

LD

1991 >

Asse Anteriore



Front Axle

0503068



0183061



0903068



0193061



0183061



0903069



0193069



0504180



0504180



Asse Posteriore



Rear Axle

0504180



0400825



0400825



0504180



OCAP	O.E.		
0183061	RTC5869	TESTA STERZO TIE ROD END	RHT 11/16"x16
0193061	RTC5870	TESTA STERZO TIE ROD END	LHT 11/16"x16
0193069	ANR2858	TESTA STERZO TIE ROD END	LHT 11/16"x16
0400825	NRC7661	SNODO SOSPENSIONE BALL JOINT	
0503068	NRC9743	BARRA STERZO TIE ROD	
0504180	NTC1888	STABILIZZATORE STABILIZER LINK	
0903068	NRC9742	TUBO COLLEGAMENTO CONNECTING TUBE	
0903069	ANR2860	TUBO COLLEGAMENTO CONNECTING TUBE	

DESTRO
RIGHT



SINISTRO
LEFT

DISCOVERY I	LJ-LG	1989 > 10/1998
--------------------	-------	----------------

Asse Anteriore



Front Axle



0503061



0903061



0503063



0903063



0503064



0903064



i 1) > CH. - JA018174	2) CH. - JA018175 >
------------------------------	---------------------

OCAP	O.E.		i	
0183061	RTC5869	TESTA STERZO TIE ROD END		RHT 11/16"x16
0193063	NRC1823	TESTA STERZO TIE ROD END		LHT 11/16"x16
0503061	RTC1799	BARRA STERZO TIE ROD		
0503063	NRC3226	BARRA STERZO TIE ROD	1)	
0503064	NTC9607	BARRA STERZO TIE ROD	2)	
0903061	NRC145	TUBO COLLEGAMENTO CONNECTING TUBE		
0903062	NRC4700	GIUNTO COLLEGAMENTO ADJUSTING BOLT		
0903063	NRC1824	TUBO COLLEGAMENTO CONNECTING TUBE		
0903064	NTC8390	TUBO COLLEGAMENTO CONNECTING TUBE		

DESTRO
RIGHT



SINISTRO
LEFT

DISCOVERY I

LJ-LG

1989 > 10/1998

Asse Anteriore



Front Axle

0504180



0504180



Asse Posteriore



Rear Axle

1215288



0903065



1215288



0504180



0400825






0400825



0504180



OCAP	O.E.			
0400825	NRC7661	SNODO SOSPENSIONE SUSPENSION JOINT		
0504180	NTC1888	STABILIZZATORE STABILIZER LINK		
0903065	STC618	KIT SILENTBLOCK SUSPENSION BUSHING KIT		
1215288	NTC1772	SILENTBLOCK BUSHING		

DESTRO
RIGHT



SINISTRO
LEFT

DISCOVERY II	LJ-LT	11/1998 > 06/2004
--------------	-------	-------------------

Asse Anteriore



Front Axle

0501487

0193066



0281487

0903066



0501488

0193066



0903066

0501489

0193066



0903066



i 1) L H D	2) R H D
-------------------	----------

OCAP	O.E.		i	
0193066	QFS000010	TESTA STERZO TIE ROD END		LHT M18x1,5
0281487	QFS000040	TESTA STERZO TIE ROD END		
0501487	TIQ000010	BARRA STERZO TIE ROD		
0501488	QHG000050	BARRA STERZO TIE ROD	1)	
0501489	QHG000040	BARRA STERZO TIE ROD	2)	
0903066	-	GIUNTO JOINT		

DESTRO
RIGHT



SINISTRO
LEFT

DISCOVERY II

LJ-LT

11/1998 > 06/2004

Asse Anteriore



Front Axle

1215608



0403058



0403060



0403060



0403058



1215608



0501490



0501490



Asse Posteriore



Rear Axle

0501491



0501491



OCAP	O.E.		i	
0403058	FTC3570	SNODO SOSPENSIONE - SUPERIORE BALL JOINT - UPPER		
0403060	FTC3571	SNODO SOSPENSIONE - INFERIORE BALL JOINT - LOWER		
0501490	RBM100223	STABILIZZATORE STABILIZER LINK		
0501491	RGD100682	STABILIZZATORE STABILIZER LINK		
1215608	ANR3671	SILENTBLOCK BUSHING		

DESTRO
RIGHT



SINISTRO
LEFT

DISCOVERY III DISCOVERY IV	TAA LA	07/2004 > 09/2009 09/2009 >
-------------------------------	-----------	--------------------------------

Asse Anteriore



Front Axle



<p>i 1) > CH. 9A496359 3) LHD PEZZO SX - RHD PEZZO DX - LHD LH SIDE - RHD RH SIDE 5) SOLO PER - ONLY FOR: MOD. CON SOSPENSIONI PNEUMATICHE - HYDRAULIC SUSPENSION MODELS</p>	<p>2) LHD PEZZO DX - RHD PEZZO SX - LHD RH SIDE - RHD LH SIDE 4) CH. 9A496360 > 7) SOLO PER - ONLY FOR: DISCOVERY III</p>
--	--

OCAP	O.E.		i	
0282554	QJB500010	TESTA STERZO TIE ROD END	1)	RHT M16x1,5
0282555	QJB500080	TESTA STERZO TIE ROD END	4)	RHT M16x1,5
0402556	RBK500040	SNODO SOSPENSIONE - INFERIORE BALL JOINT - LOWER		
0682555	QFK500020	SNODO ASSIALE AXIAL JOINT	2)	RHT M16x1,5
0692555	QFK500010	SNODO ASSIALE AXIAL JOINT	3)	RHT M16x1,5
0782556	RBJ500183	BRACCIO OSCILLANTE - INFERIORE TRACK CONTROL ARM - LOWER	5) 7)	
0792556	RBJ500193	BRACCIO OSCILLANTE - INFERIORE TRACK CONTROL ARM - LOWER	5) 7)	
0902555	QFW500010	KIT CUFFIA STERZO STEERING GAITER KIT		
1215805	RBX500311	SILENTBLOCK CENTRALE BUSHING - CENTRAL	7)	
1215806	RBX500291	SILENTBLOCK ESTREMO BUSHING - OUTER	7)	

DESTRO
RIGHT

 SINISTRO
LEFT

 DISCOVERY III
DISCOVERY IV

 TAA
LA

 07/2004 > 09/2009
09/2009 >

Asse Anteriore



Front Axle



Asse Posteriore



Rear Axle



i 6) CH. 5A > 8) SOLO PER - ONLY FOR: DISCOVERY IV	7) SOLO PER - ONLY FOR: DISCOVERY III
--	---------------------------------------

OCAP	O.E.		i	
0402554	RBK500161	SNODO SOSPENSIONE - SUPERIORE BALL JOINT - UPPER	8)	
0402557	RBK500030	SNODO SOSPENSIONE - SUPERIORE BALL JOINT - UPPER	6) 7)	
0502554	RGD000311	STABILIZZATORE STABILIZER LINK		
0502558	RBM500190	STABILIZZATORE STABILIZER LINK		
0782557	RBJ500222	BRACCIO OSCILLANTE - SUPERIORE TRACK CONTROL ARM - UPPER	6) 7)	
0792557	RBJ500232	BRACCIO OSCILLANTE - SUPERIORE TRACK CONTROL ARM - UPPER	6) 7)	
1215807	RBX500301	SILENTBLOCK BRACCIO OSCILLANTE CONTROL ARM BUSHING	7)	

DESTRO
RIGHT



SINISTRO
LEFT

DISCOVERY SPORT

LC

12/2014 >

Asse Anteriore



Front Axle

0285775



0605775



0605775



0295775



0505775



0505775



OCAP	O.E.			
0285775	LR026267	TESTA STERZO TIE ROD END		RHT M18x1,5
0295775	LR027570	TESTA STERZO TIE ROD END		RHT M18x1,5
0505775	LR024474	STABILIZZATORE STABILIZER LINK		
0605775	LR026271	SNODO ASSIALE AXIAL JOINT		RHT M18x1,5

DESTRO
RIGHT



SINISTRO
LEFT

FREELANDER

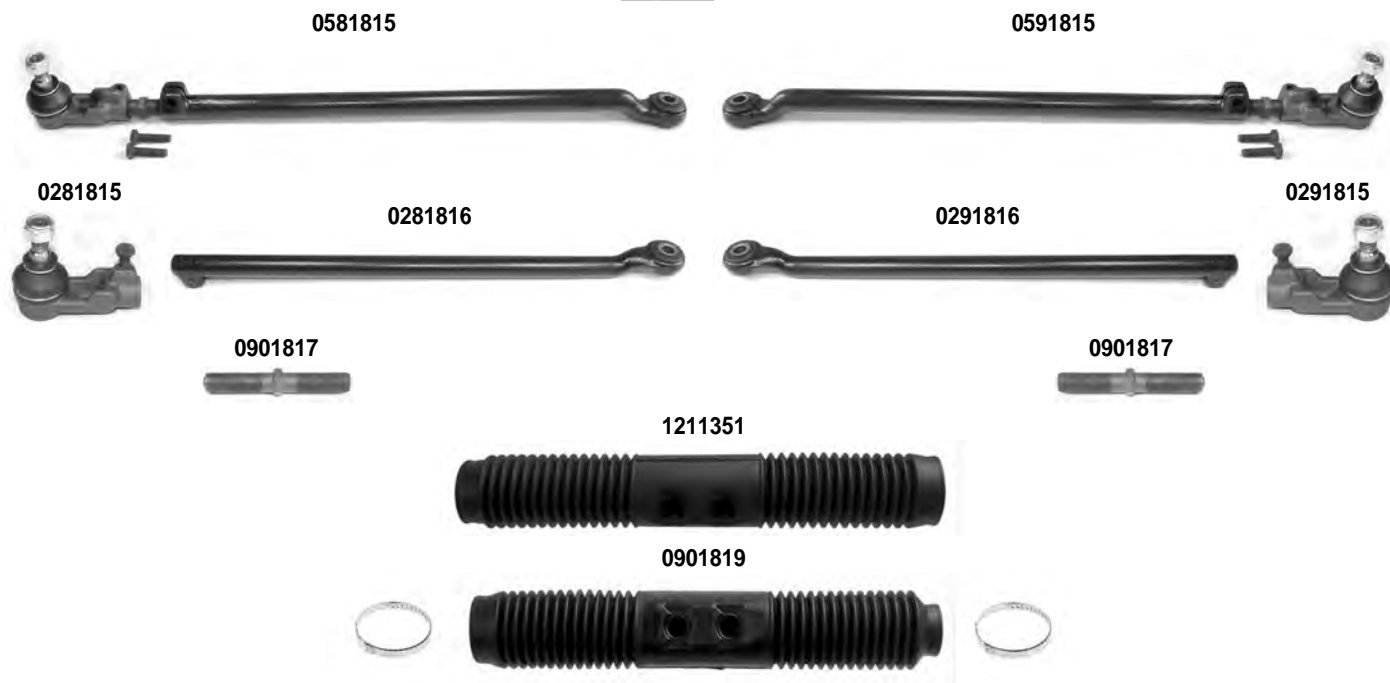
LN

1998 > 2006

Asse Anteriore



Front Axle



OCAP	O.E.			
0281815	QJB100220	TESTA STERZO TIE ROD END		LHT M16x1,5
0281816	QFK100085 *	TESTA STERZO TIE ROD END		
0291815	QJB100230	TESTA STERZO TIE ROD END		LHT M16x1,5
0291816	QFK100095 *	TESTA STERZO TIE ROD END		
0581815	QFK100085	BARRA STERZO TIE ROD		
0591815	QFK100095	BARRA STERZO TIE ROD		
0901817	ANR5735	GIUNTO DI COLLEGAMENTO JOINT		
0901819	QEY100080	KIT CUFFIA STERZO STEERING GAITER KIT		
1211351	QEY100081	CUFFIA STERZO STEERING GAITER		

DESTRO
RIGHT



SINISTRO
LEFT

FREELANDER	LN	1998 > 2006
-------------------	----	-------------

Asse Anteriore



Front Axle



OCAP	O.E.		i	
0401820	RBJ102920 *	SNODO SOSPENSIONE BALL JOINT		
0501821	RBM100171	STABILIZZATORE STABILIZER LINK		
0781820	RBJ102920	BRACCIO OSCILLANTE TRACK CONTROL ARM		
0791820	RBJ102930	BRACCIO OSCILLANTE TRACK CONTROL ARM		
1215535	RBX101790	SILENTBLOCK CENTRALE CENTRAL BUSHING		
1215536	RBX101780	SILENTBLOCK ESTREMO OUTER BUSHING		

DESTRO
RIGHT



SINISTRO
LEFT

FREELANDER II

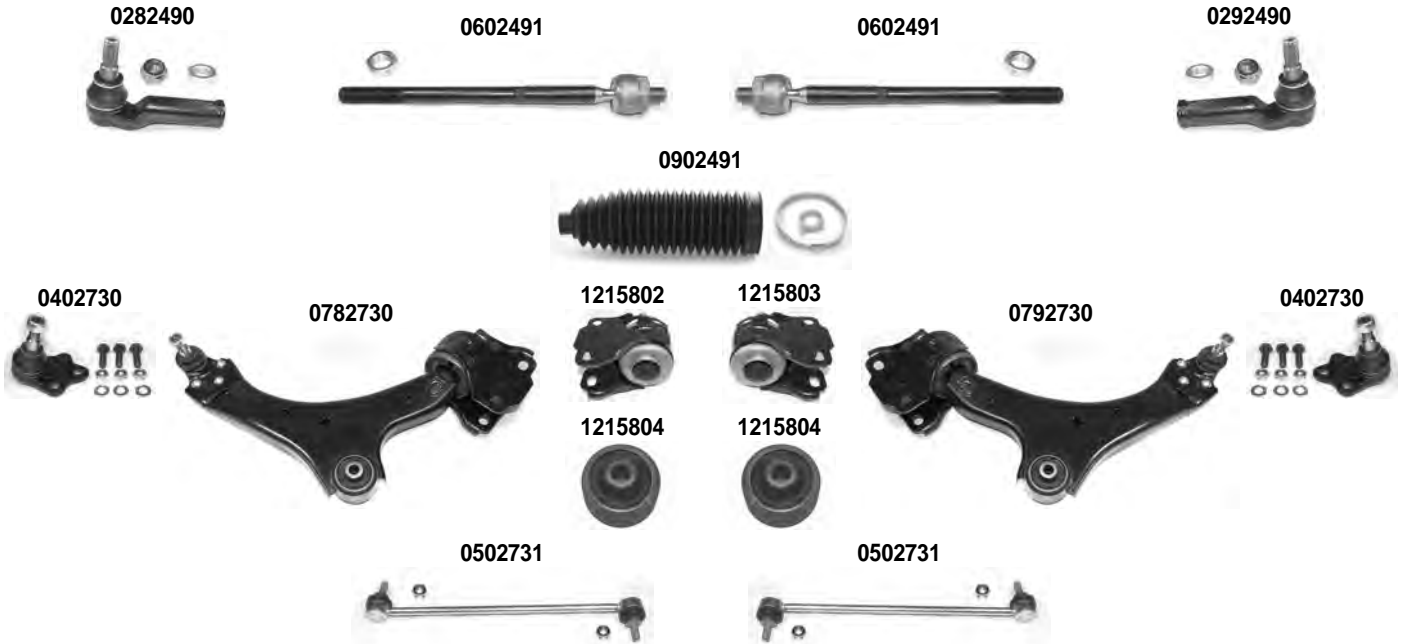
FA

10/2006 > 2014

Asse Anteriore



Front Axle



Asse Posteriore



Rear Axle



OCAP	O.E.		
0282490	LR002609	TESTA STERZO TIE ROD END	RHT M18x1,5
0292490	LR002610	TESTA STERZO TIE ROD END	RHT M18x1,5
0402730	LR007205 *	SNODO SOSPENSIONE - INFERIORE BALL JOINT - LOWER	
0502731	LR002626	STABILIZZATORE STABILIZER LINK	
0503852	LR002876	STABILIZZATORE STABILIZER LINK	
0602491	LR16869	SNODO ASSIALE AXIAL JOINT	RHT M18x1,5
0782730	LR007205	BRACCIO OSCILLANTE - INFERIORE TRACK CONTROL ARM - LOWER	
0792730	LR007206	BRACCIO OSCILLANTE - INFERIORE TRACK CONTROL ARM - LOWER	
0902491	LR002682	KIT CUFFIA STERZO STEERING GAITER KIT	
1215802	-	SILENTBLOCK ESTREMO BUSHING - OUTER	
1215803	-	SILENTBLOCK ESTREMO BUSHING - OUTER	
1215804	-	SILENTBLOCK CENTRALE BUSHING - CENTRAL	

DESTRO
RIGHT



SINISTRO
LEFT

LANDROVER 88 - 109
LANDROVER 90 - 110

1963 > 1986
1984 > 1990

Asse Anteriore



Front Axle

0180820



0190820



0190820



0180820



0183061



0193061



0504180



0400824



0400824



0504180



Asse Posteriore



Rear Axle

0504180



0400825



0400825



0504180



i 1) SOLO PER - ONLY FOR: 88 - 109 2) SOLO PER - ONLY FOR: 90 - 110

OCAP	O.E.		i	
0180820	RTC1808	TESTA STERZO - INTERNA TIE ROD END - INNER	1)	RHT 11/16"x16
0183061	RTC5869	TESTA STERZO TIE ROD END	2)	RHT 11/16"x16
0190820	RTC1809	TESTA STERZO - ESTERNA TIE ROD END - OUTER	1)	LH T 11/16"x16
0193061	RTC5870	TESTA STERZO TIE ROD END	2)	LH T 11/16"x16
0400824	575882	SNODO SOSPENSIONE - SUPERIORE BALL JOINT - UPPER	2)	
0400825	NRC7661	SNODO SOSPENSIONE - SUPERIORE BALL JOINT - UPPER	2)	
0504180	NTC1888	STABILIZZATORE STABILIZER LINK	2)	

DESTRO
RIGHT



SINISTRO
LEFT

RANGE ROVER I

1970 > 1994

Asse Anteriore



Front Axle

0183061



0183061



0183061



0193063



0504180



0400824



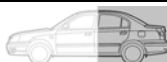
0400824



0504180



Asse Posteriore



Rear Axle

0504180



0400825





0400825



0504180



OCAP	O.E.		
0183061	RTC5869	TESTA STERZO TIE ROD END	RHT 11/16"x16
0193063	NRC1823	TESTA STERZO TIE ROD END	LHT 11/16"x16
0400824	575882	SNODO SOSPENSIONE- SUPERIORE-INFERIORE BALL JOINT - UPPER - LOWER	
0400825	NRC7661	SNODO SOSPENSIONE SUPERIORE BALL JOINT UPPER	
0504180	NTC1888	STABILIZZATORE STABILIZER LINK	

DESTRO
RIGHT



SINISTRO
LEFT

RANGE ROVER II	P38A	1995 > 03/2002
-----------------------	------	----------------

Asse Anteriore



Front Axle

0583066



0283066



0193066



0593066



0293066



0193066



0503067



0193066



0283067



0503215



0403058



0403060



0403060



0403058



0503215



i 1) L H D	2) R H D
-------------------	----------

OCAP	O.E.		i	
0193066	QFS000010	TESTA STERZO TIE ROD END		LHT M18x1,5
0283066	QEK000050	TESTA STERZO TIE ROD END	1)	
0283067	QFS000060	TESTA STERZO TIE ROD END		
0293066	QEK000040	TESTA STERZO TIE ROD END	2)	
0403058	FTC3570	SNODO SOSPENSIONE - SUPERIORE BALL JOINT - UPPER		
0403060	FTC3571	SNODO SOSPENSIONE- INFERIORE BALL JOINT - LOWER		
0503067	TIQ000020	BARRA STERZO TIE ROD		
0503215	ANR3304	STABILIZZATORE STABILIZER LINK		
0583066	QHG000070	BARRA STERZO TIE ROD	1)	
0593066	QHG000060	BARRA STERZO TIE ROD	2)	

DESTRO
RIGHT



SINISTRO
LEFT

RANGE ROVER III

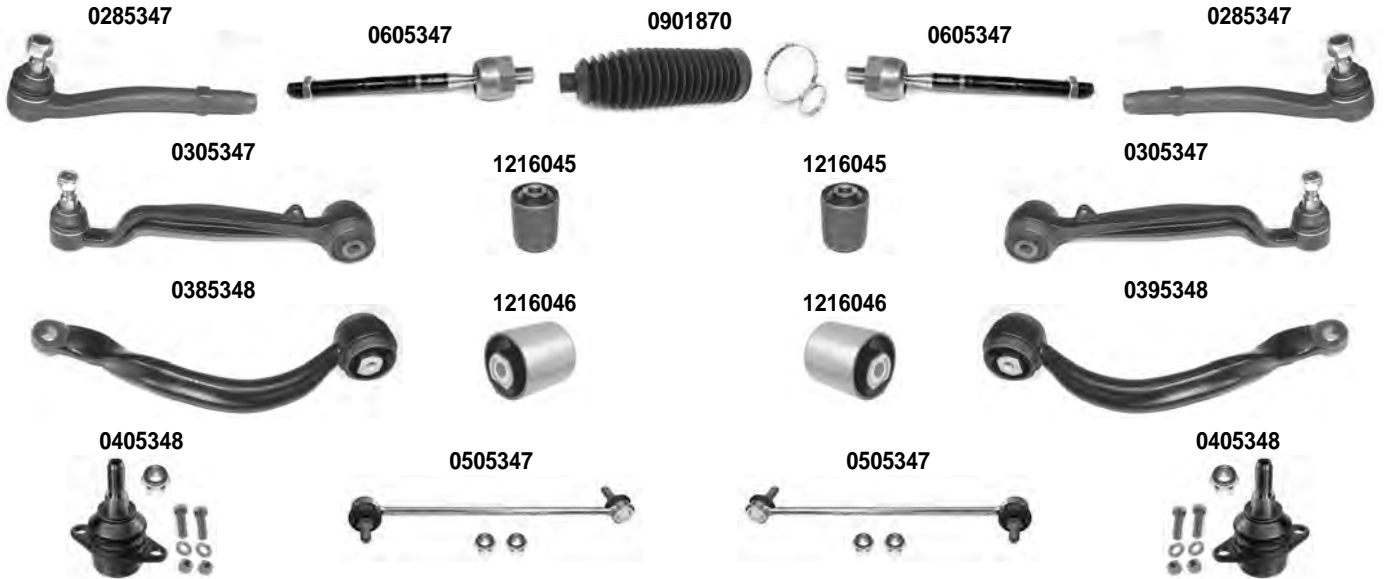
L322

2002 > 08/2012

Asse Anteriore



Front Axle



Asse Posteriore



Rear Axle



OCAP	O.E.		i	
0285347	QJB500050	TESTA STERZO TIE ROD END		RHT M16x1,5
0305347	RBJ000062	BRACCIO OSCILLANTE - INFERIORE TRACK CONTROL ARM - LOWER		
0385348	RBJ018343	BRACCIO OSCILLANTE - SUPERIORE TRACK CONTROL ARM - UPPER		
0395348	RBJ018344	BRACCIO OSCILLANTE - SUPERIORE TRACK CONTROL ARM - UPPER		
0405348	RBK500210	SNODO SOSPENSIONE - SUPERIORE BALL JOINT - UPPER		
0505347	RBM500200	STABILIZZATORE STABILIZER LINK		
0505348	RGD500180	STABILIZZATORE STABILIZER LINK		
0505349	RGD500150	STABILIZZATORE STABILIZER LINK		
0605347	QJB500060	SNODO ASSIALE AXIAL JOINT		RHT M16x1,5
0901870	QFW000010	KIT CUFFIA STERZO STEERING GAITER KIT		
1216045	RBJ500920	SILENTBLOCK BUSHING		
1216046	RBX000200	SILENTBLOCK BUSHING		

DESTRO
RIGHT



SINISTRO
LEFT

RANGE ROVER IV

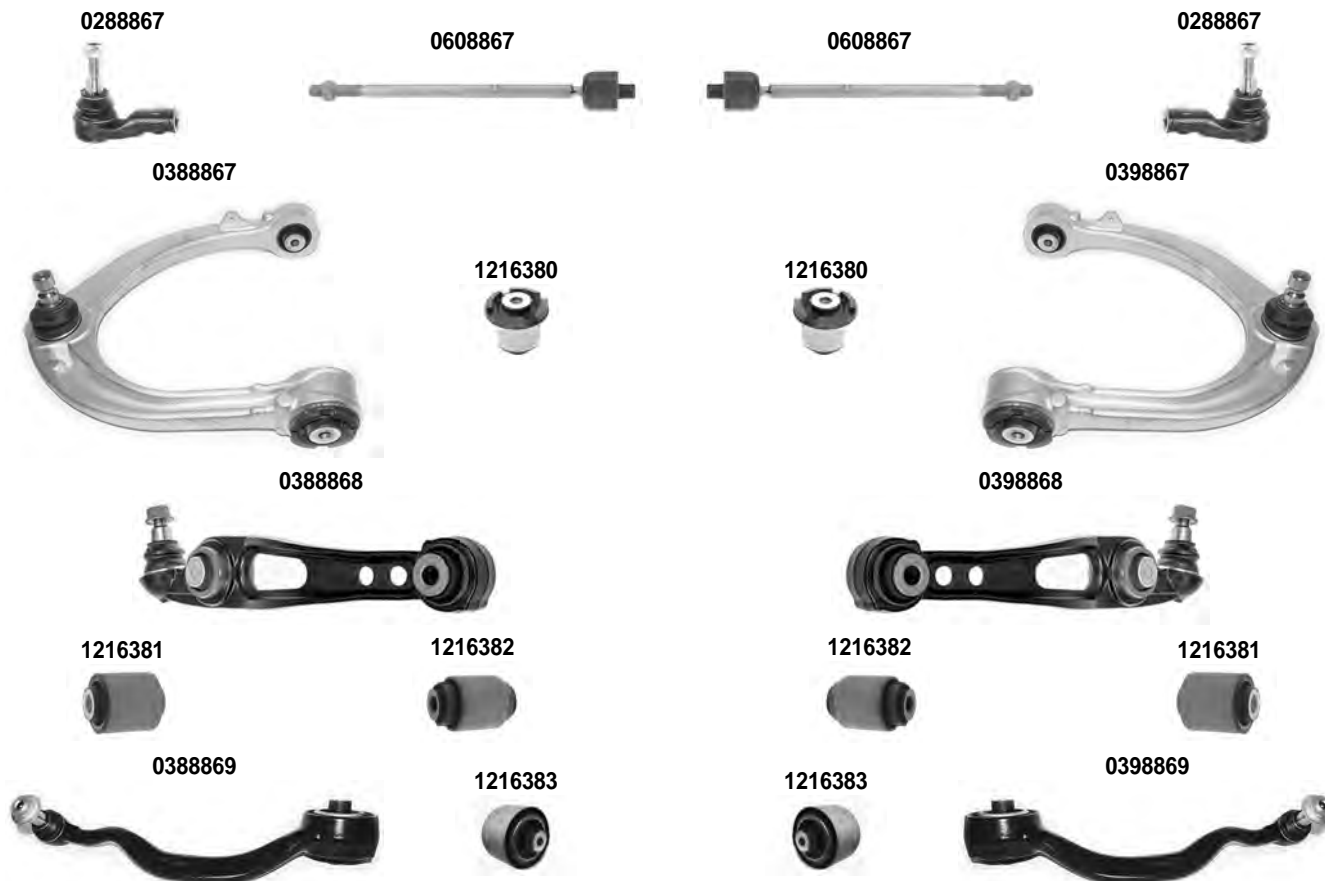
L405

08/2012 >

Asse Anteriore



Front Axle



OCAP	O.E.		i	
0288867	LR033534	TESTA STERZO TIE ROD END		RHT M14x1,5
0388867	LR034211	BRACCIO OSCILLANTE - SUPERIORE TRACK CONTROL ARM - UPPER		
0388868	LR034217	BRACCIO OSCILLANTE - INFERIORE TRACK CONTROL ARM - LOWER		
0388869	LR034219	BRACCIO OSCILLANTE - INFERIORE TRACK CONTROL ARM - LOWER		
0398867	LR034214	BRACCIO OSCILLANTE - SUPERIORE TRACK CONTROL ARM - UPPER		
0398868	LR034218	BRACCIO OSCILLANTE - INFERIORE TRACK CONTROL ARM - LOWER		
0398869	LR034220	BRACCIO OSCILLANTE - INFERIORE TRACK CONTROL ARM - LOWER		
0608867	LR033529	SNODO ASSIALE AXIAL JOINT		RHT M14x1,5
1216380	LR034211 *	SILENTBLOCK BUSHING		L=53 mm.
1216381	LR078476 *	SILENTBLOCK CENTRALE BUSHING - CENTRAL		L=65 mm.
1216382	LR078478 *	SILENTBLOCK ESTREMO BUSHING - OUTER		L=74 mm.
1216383	LR072471 *	SILENTBLOCK BUSHING		L=97,5 mm.

DESTRO
RIGHT



SINISTRO
LEFT

RANGE ROVER IV

L405

08/2012 >

Asse Anteriore



Front Axle

0508868



0508868



Asse Posteriore



Rear Axle

1216384



0788870



0798870



1216384



0308871



0308871



1216385



1216385



1216385



1216385






0588869



0598869



OCAP	O.E.			
0308871	LR037690	BRACCIO OSCILLANTE - SUPERIORE TRACK CONTROL ARM - UPPER		
0508868	LR035489	STABILIZZATORE STABILIZER LINK		L=210 mm.
0588869	LR033242	STABILIZZATORE STABILIZER LINK		L=184 mm.
0598869	LR033243	STABILIZZATORE STABILIZER LINK		L=184 mm.
0788870	LR037702	BRACCIO OSCILLANTE - INFERIORE TRACK CONTROL ARM - LOWER		
0798870	LR037700	BRACCIO OSCILLANTE - INFERIORE TRACK CONTROL ARM - LOWER		
1216384	LR048090 *	SILENTBLOCK BUSHING		
1216385	LR037690 *	SILENTBLOCK BUSHING		

DESTRO
RIGHT



SINISTRO
LEFT

RANGE ROVER EVOQUE RANGE ROVER EVOQUE CABRIOLET	L538 L538	06/2011 > 02/2016 >
--	--------------	------------------------

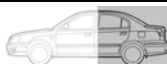
Asse Anteriore



Front Axle



Asse Posteriore



Rear Axle



OCAP	O.E.			
0285775	LR026267	TESTA STERZO TIE ROD END		RHT M18x1,5
0295775	LR027570	TESTA STERZO TIE ROD END		RHT M18x1,5
0385775	LR045803	BRACCIO OSCILLANTE - INFERIORE - ALLUMINIO TRACK CONTROL ARM - LOWER - ALUMINIUM		
0395775	LR045802	BRACCIO OSCILLANTE - INFERIORE - ALLUMINIO TRACK CONTROL ARM - LOWER - ALUMINIUM		
0503852	LR002876	STABILIZZATORE STABILIZER LINK		
0505775	LR024474	STABILIZZATORE STABILIZER LINK		
0605775	LR026271	SNODO ASSIALE AXIAL JOINT		RHT M18x1,5
1216266	LR045802 *	SILENTBLOCK - CENTRALE CENTRAL BUSHING		
1216267	LR024472 *	SILENTBLOCK - ESTREMO OUTER BUSHING		

DESTRO
RIGHT

 SINISTRO
LEFT

RANGE ROVER SPORT

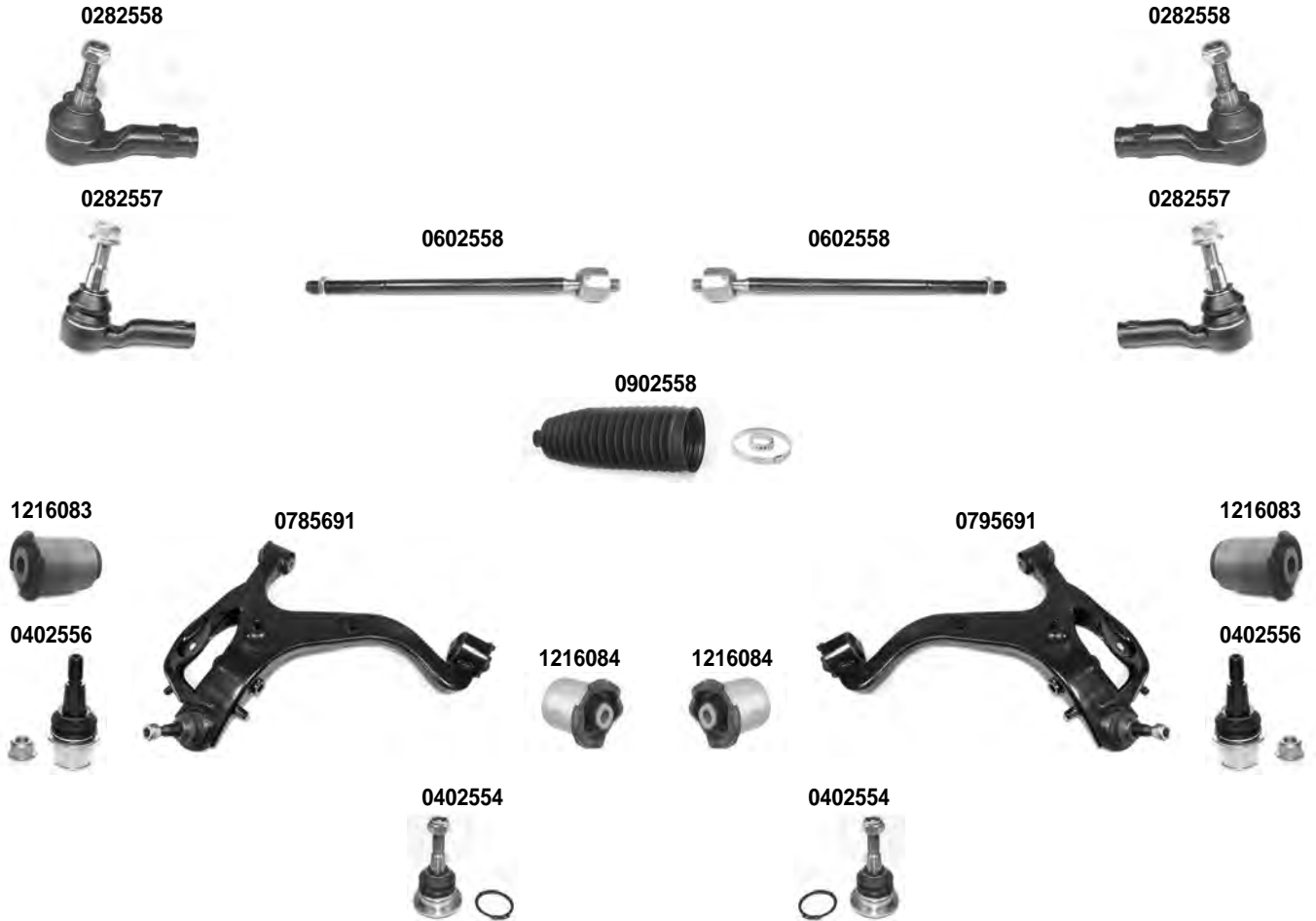
L320

02/2005 > 2013

Asse Anteriore



Front Axle



i 1) > C.H. 9A191791		2) C.H. 9A191792 >		
OCAP	O.E.		i	
0282557	QJB500070	TESTA STERZO TIE ROD END	2)	RHT M16x1,5
0282558	QJB500040	TESTA STERZO TIE ROD END	1)	RHT M16x1,5
0402554	RBK500170	SNODO SOSPENSIONE - SUPERIORE BALL JOINT - UPPER		
0402556	RBK500180	SNODO SOSPENSIONE - INFERIORE BALL JOINT - LOWER		
0602558	QFK500030	SNODO ASSIALE AXIAL JOINT		RHT M16x1,5
0785691	RBJ501600	BRACCIO OSCILLANTE - INFERIORE TRACK CONTROL ARM - LOWER		
0795691	RBJ501610	BRACCIO OSCILLANTE - INFERIORE TRACK CONTROL ARM - LOWER		
0902558	QFW500020	KIT CUFFIA STERZO STEERING GAITER KIT		
1216083	RBX500432	SILENTBLOCK CENTRALE CENTRAL BUSHING		
1216084	RBX500531	SILENTBLOCK ESTREMO OUTER BUSHING		

DESTRO
RIGHT



SINISTRO
LEFT

RANGE ROVER SPORT

L320

02/2005 > 2013

Asse Anteriore



Front Axle

0585691



0595691



1214277



Asse Posteriore



Rear Axle

0402555



0402558



0402558



0402555



0505691



0502554



0502554



0505691



0502557



1214278



0502557



i 3) SOLO PER: VEICOLI SENZA REGOLAZIONE ATTIVA STABILIZZATORE - ONLY FOR: VEHICLES WITHOUT ACTIVE STABILIZER CONTROL

i 4) SOLO PER: VEICOLI CON REGOLAZIONE ATTIVA STABILIZZATORE - ONLY FOR: VEHICLES WITH ACTIVE STABILIZER CONTROL

OCAP	O.E.		i	
0402555	RHF500100	SILENTBLOCK A SNODO SWING ARM JOINT		
0402558	RBK500012	SILENTBLOCK A SNODO SWING ARM JOINT		
0502554	RGD000311	STABILIZZATORE STABILIZER LINK	3)	
0502557	RGD500083	PUNTONE SUSPENSION TIE ROD		
0505691	RGD500140	STABILIZZATORE STABILIZER LINK	4)	
0585691	RBM500140	STABILIZZATORE STABILIZER LINK		
0595691	RBM500150	STABILIZZATORE STABILIZER LINK		
1214277	RBX500280	GOMMINO BARRA STABILIZZATRICE STABILIZING BAR BUSHING		DIAM. 30 mm.
1214278	RGX500070	GOMMINO BARRA STABILIZZATRICE STABILIZING BAR BUSHING		DIAM. 23 mm.

DESTRO
RIGHT



SINISTRO
LEFT

RANGE ROVER SPORT

L494

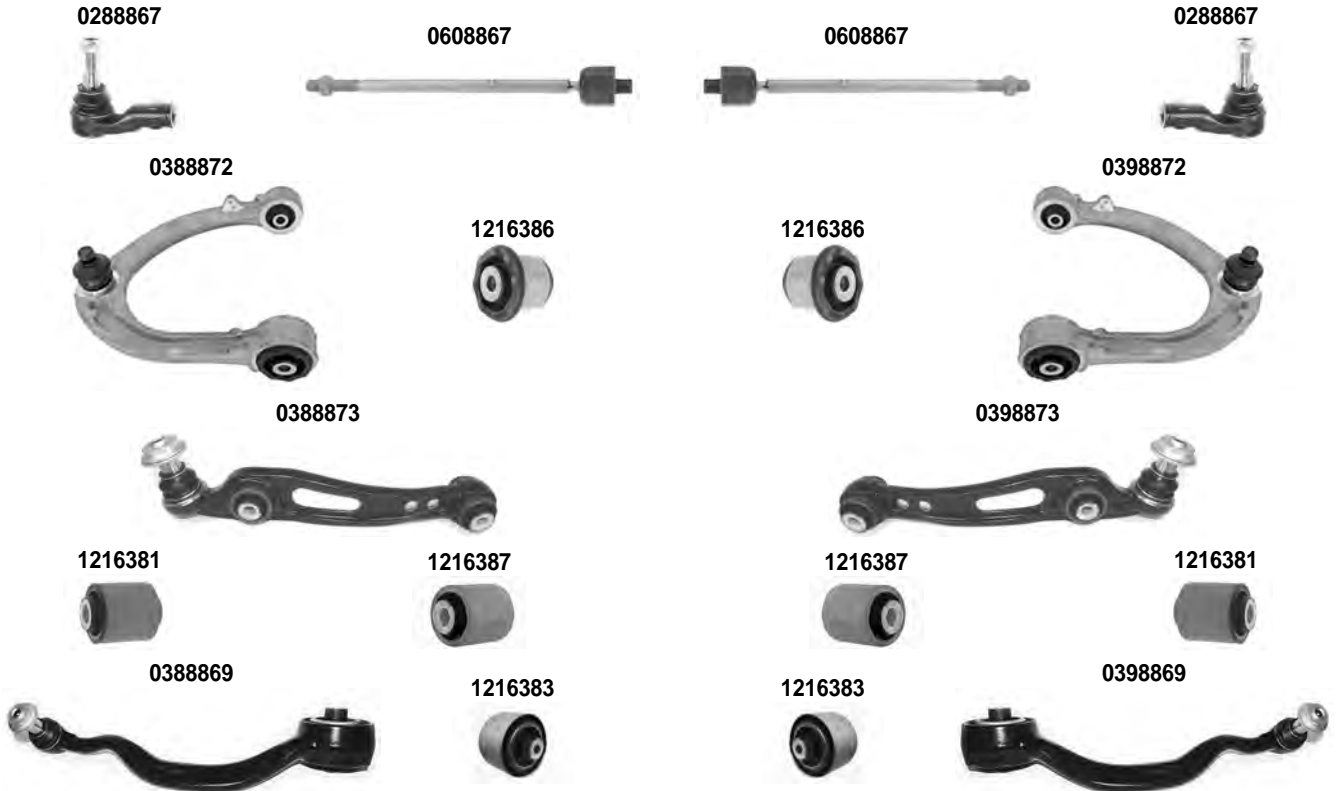
04/2013 >

Asse Anteriore



Front Axle

RANGE ROVER SPORT



OCAP	O.E.			
0288867	LR033534	TESTA STERZO TIE ROD END		RHT M14x1,5
0388869	LR034219	BRACCIO OSCILLANTE - INFERIORE TRACK CONTROL ARM - LOWER		
0388872	LR044841	BRACCIO OSCILLANTE - SUPERIORE TRACK CONTROL ARM - UPPER		
0388873	LR045242	BRACCIO OSCILLANTE - INFERIORE TRACK CONTROL ARM - LOWER		
0398869	LR034220	BRACCIO OSCILLANTE - INFERIORE TRACK CONTROL ARM - LOWER		
0398872	LR044844	BRACCIO OSCILLANTE - SUPERIORE TRACK CONTROL ARM - UPPER		
0398873	LR045243	BRACCIO OSCILLANTE - INFERIORE TRACK CONTROL ARM - LOWER		
0608867	LR033529	SNODO ASSIALE AXIAL JOINT		RHT M14x1,5
1216381	LR078476 *	SILENTBLOCK CENTRALE BUSHING - CENTRAL		L=65 mm.
1216383	LR072471 *	SILENTBLOCK BUSHING		L=97,5 mm.
1216386	LR044841 *	SILENTBLOCK BUSHING		L=53 mm.
1216387	LR045243 *	SILENTBLOCK ESTREMO BUSHING - OUTER		L=74 mm.

DESTRO
RIGHT



SINISTRO
LEFT

RANGE ROVER SPORT

L494

04/2013 >

Asse Anteriore



Front Axle

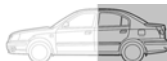
0508868



0508868



Asse Posteriore



Rear Axle

1216384



0788870



0798870



1216384



0308871



0308871



1216385



1216385



1216385



1216385



0588872



0598872



OCAP	O.E.			
0308871	LR037690	BRACCIO OSCILLANTE - SUPERIORE TRACK CONTROL ARM - UPPER		
0508868	LR035489	STABILIZZATORE STABILIZER LINK		L=210 mm.
0588872	LR042975	STABILIZZATORE STABILIZER LINK		L=192 mm.
0598872	LR042976	STABILIZZATORE STABILIZER LINK		L=192 mm.
0788870	LR037702	BRACCIO OSCILLANTE - INFERIORE TRACK CONTROL ARM - LOWER		
0798870	LR037700	BRACCIO OSCILLANTE - INFERIORE TRACK CONTROL ARM - LOWER		
1216384	LR048090 *	SILENTBLOCK BUSHING		
1216385	LR037690 *	SILENTBLOCK BUSHING		

DESTRO
RIGHTSINISTRO
LEFT

MAXUS

02/2005 > 2009

Asse Anteriore



Front Axle

0405069



0385072



1215694



1215694



0395072



0405069



1215695



1215695



0585068






0595068



0508054



OCAP	O.E.			
0385072	542150012	BRACCIO OSCILLANTE - INFERIORE TRACK CONTROL ARM - LOWER		
0395072	542150011	BRACCIO OSCILLANTE - INFERIORE TRACK CONTROL ARM - LOWER		
0405069	542410025	SNODO SOSPENSIONE - INFERIORE BALL JOINT - LOWER		
0508054	542180020	BARRA STABILIZZATRICE STABILIZING BAR		
0585068	542180024	STABILIZZATORE STABILIZER LINK		
0595068	542180023	STABILIZZATORE STABILIZER LINK		
1215694	542140096	SILENTBLOCK CENTRALE BUSHING - CENTRAL		
1215695	542140106	SILENTBLOCK ESTREMO BUSHING - OUTER		

ES 350

DESTRO
RIGHT



SINISTRO
LEFT

ES 350	GSV60	06/2012 > 06/2018
--------	-------	-------------------

Asse Anteriore



Front Axle

0488671



0498671



OCAP	O.E.			
0488671	43330-39775	SNODO SOSPENSIONE - INFERIORE BALL JOINT - LOWER		
0498671	43340-39545	SNODO SOSPENSIONE - INFERIORE BALL JOINT - LOWER		

DESTRO
RIGHT

 SINISTRO
LEFT

GS 300-430

JZS160 - UZS 161

1997 > 03/2005

Asse Anteriore



Front Axle



Asse Posteriore



Rear Axle



OCAP	O.E.			
0285500	45460-59015	TESTA STERZO TIE ROD END		RHT M14x1,5
0295500	45470-59015	TESTA STERZO TIE ROD END		RHT M14x1,5
0389285	48068-30290	BRACCIO OSCILLANTE - INFERIORE TRACK CONTROL ARM - LOWER		
0389286	48610-39015	BRACCIO OSCILLANTE - SUPERIORE TRACK CONTROL ARM - UPPER		
0399285	48069-30290	BRACCIO OSCILLANTE - INFERIORE TRACK CONTROL ARM - LOWER		
0399286	48630-39015	BRACCIO OSCILLANTE - SUPERIORE TRACK CONTROL ARM - UPPER		
0489285	43330-39455	SNODO SOSPENSIONE - INFERIORE BALL JOINT - LOWER		
0499285	43340-39345	SNODO SOSPENSIONE - INFERIORE BALL JOINT - LOWER		
0505500	48830-30080	STABILIZZATORE STABILIZER LINK		
0585500	48820-30030	STABILIZZATORE STABILIZER LINK		
0595500	48810-30010	STABILIZZATORE STABILIZER LINK		
0605500	45503-39155	SNODO ASSIALE AXIAL JOINT		RHT M14x1,5
1216187	48068-30300 *	SILENTBLOCK BUSHING		

DESTRO
RIGHT



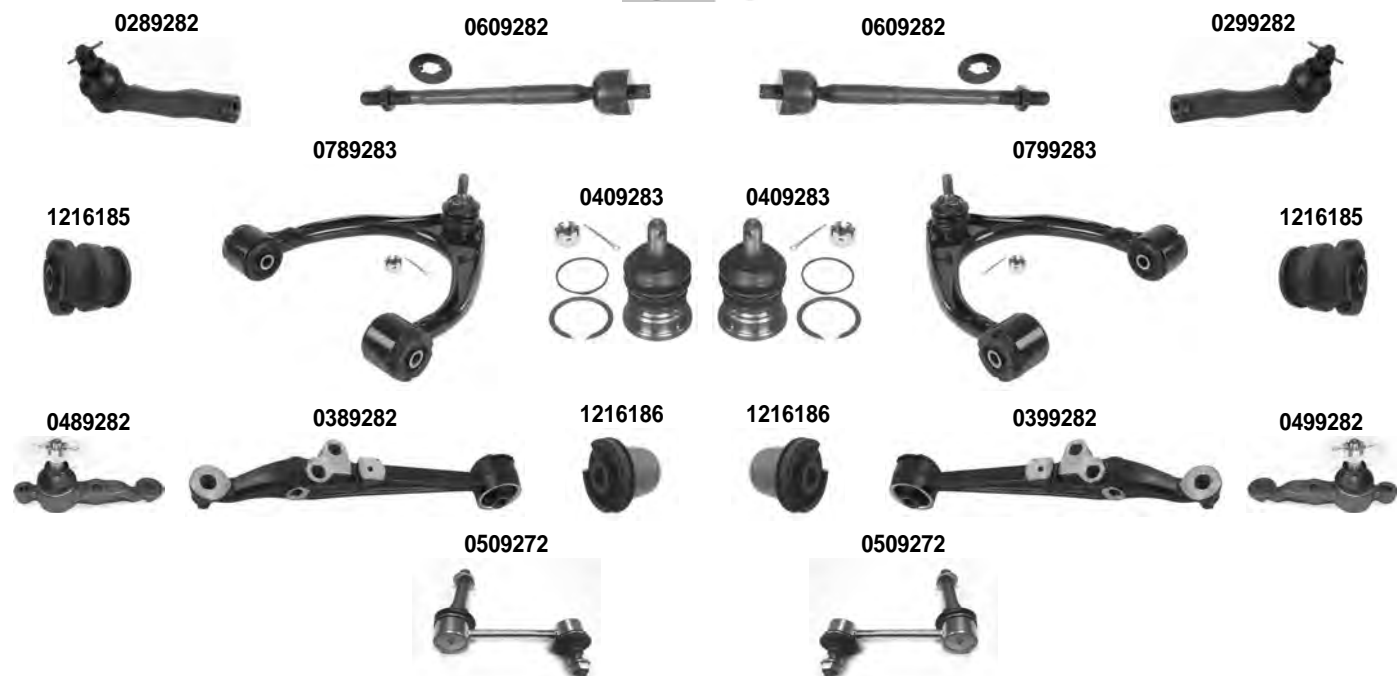
SINISTRO
LEFT

IS I IS SPORTCROSS	JCE - GXE	1999 > 07/2005 2001 > 10/2005
-----------------------	-----------	----------------------------------

Asse Anteriore



Front Axle



OCAP	O.E.			
0289282	45460-39575	TESTA STERZO TIE ROD END		RHT M14x1,5
0299282	45470-39205	TESTA STERZO TIE ROD END		RHT M14x1,5
0389282	48068-53010	BRACCIO OSCILLANTE - INFERIORE TRACK CONTROL ARM - LOWER		
0399282	48069-53010	BRACCIO OSCILLANTE - INFERIORE TRACK CONTROL ARM - LOWER		
0409283	48610-59025 *	SNODO SOSPENSIONE - SUPERIORE BALL JOINT - UPPER		
0489282	43330-59065	SNODO SOSPENSIONE - INFERIORE BALL JOINT - LOWER		
0499282	43340-59065	SNODO SOSPENSIONE - INFERIORE BALL JOINT - LOWER		
0509272	48820-22041	STABILIZZATORE STABILIZER LINK		
0609282	45503-39105	SNODO ASSIALE AXIAL JOINT		RHT M14x1,5
0789283	48610-59025	BRACCIO OSCILLANTE - SUPERIORE TRACK CONTROL ARM - UPPER		
0799283	48630-59025	BRACCIO OSCILLANTE - SUPERIORE TRACK CONTROL ARM - UPPER		
1216185	-	SILENTBLOCK BUSHING		
1216186	48068-53010 *	SILENTBLOCK BUSHING		

DESTRO
RIGHT



SINISTRO
LEFT

IS I
IS SPORTCROSS

JCE - GXE

1999 > 07/2005
2001 > 10/2005

Asse Posteriore






Rear Axle

0509282



0509282



OCAP	O.E.			
0509282	48830-51010	STABILIZZATORE STABILIZER LINK		

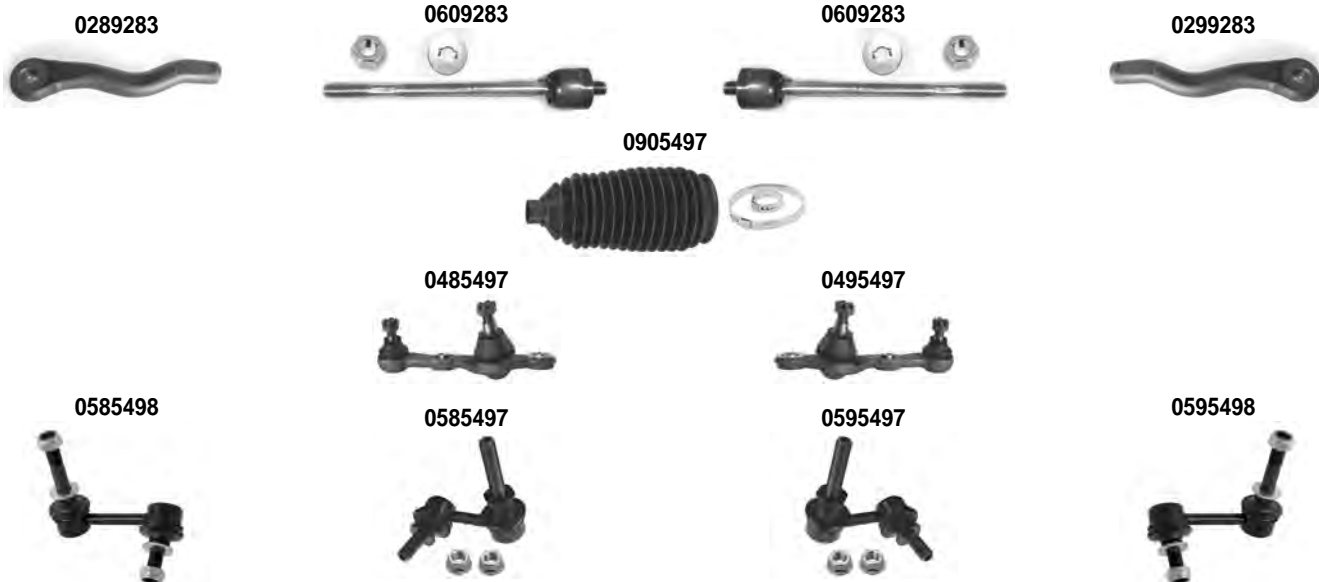


IS II GS	GSE2 - ALE2 - USE2 GRS19 - UZS19 - GWS19	10/2005 > 2013 04/2005 > 2011
-------------	---	----------------------------------

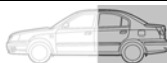
Asse Anteriore



Front Axle



Asse Posteriore



Rear Axle



i 1) > 08/2008	2) 08/2008 >
-----------------------	--------------

OCAP	O.E.		i	
0289283	45463-30130	TESTA STERZO TIE ROD END		RHT M14x1,5
0299283	45464-30060	TESTA STERZO TIE ROD END		RHT M14x1,5
0485497	43330-39625	SNODO SOSPENSIONE - INFERIORE BALL JOINT - LOWER		
0495497	43340-39505	SNODO SOSPENSIONE - INFERIORE BALL JOINT - LOWER		
0509283	48830-30090	STABILIZZATORE STABILIZER LINK		
0585497	48820-53010	STABILIZZATORE STABILIZER LINK	1)	
0585498	48820-30090	STABILIZZATORE STABILIZER LINK	2)	
0595497	48810-53010	STABILIZZATORE STABILIZER LINK	1)	
0595498	48810-30070	STABILIZZATORE STABILIZER LINK	2)	
0609283	45503-30070	SNODO ASSIALE AXIAL JOINT		RHT M14x1,5
0905497	45535-30030	KIT CUFFIA STERZO STEERING GAITER KIT		

DESTRO
RIGHT

 SINISTRO
LEFT

RX 300

MCU15

2000 > 05/2003

Asse Anteriore



Front Axle

0283668

0605499

0605499

0283668

0385499

0402776

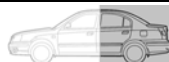
0402776

0395499

0582293

0592293




Asse Posteriore



Rear Axle

0505499

0505499


OCAP	O.E.		i	
0283668	45046-29255	TESTA STERZO TIE ROD END		RHT M15x1,5
0385499	48068-48010	BRACCIO OSCILLANTE - INFERIORE TRACK CONTROL ARM - LOWER		
0395499	48069-48010	BRACCIO OSCILLANTE - INFERIORE TRACK CONTROL ARM - LOWER		
0402776	43330-39435	SNODO SOSPENSIONE - INFERIORE BALL JOINT - LOWER		
0505499	48830-32040	STABILIZZATORE STABILIZER LINK		
0582293	48820-33020	STABILIZZATORE STABILIZER LINK		
0592293	48810-33010	STABILIZZATORE STABILIZER LINK		
0605499	45503-49095	SNODO ASSIALE AXIAL JOINT		RHT M15x1,5

DESTRO
RIGHT



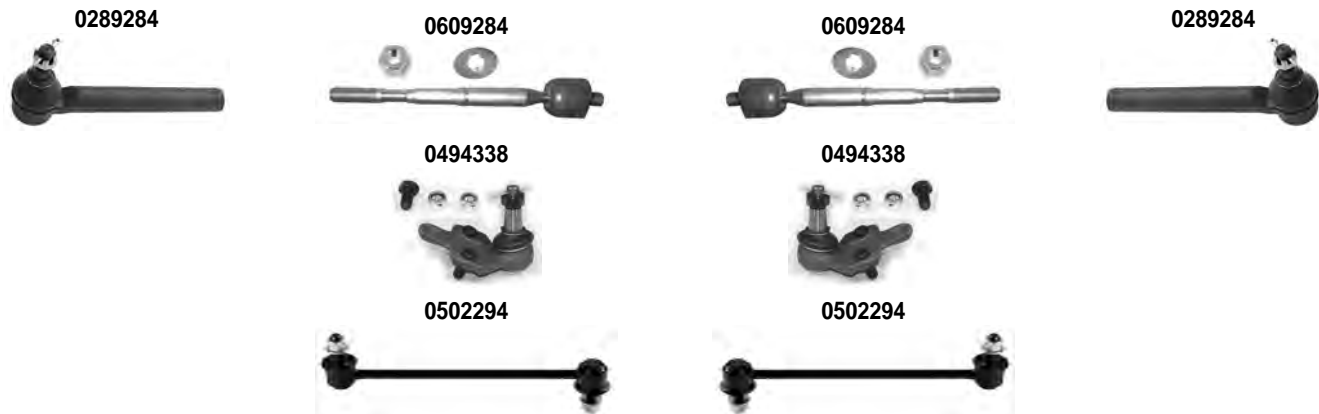
SINISTRO
LEFT

RX 300-350-400	MHU3 - GSU3 - MCU3	2003 > 12/2008
----------------	--------------------	----------------

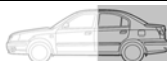
Asse Anteriore



Front Axle



Asse Posteriore



Rear Axle



OCAP	O.E.			
0289284	45460-09060	TESTA STERZO TIE ROD END		RHT M15x1,5
0484338	43330-29405	SNODO SOSPENSIONE - INFERIORE BALL JOINT - LOWER		
0494338	43340-29175	SNODO SOSPENSIONE - INFERIORE BALL JOINT - LOWER		
0502294	48820-28050	STABILIZZATORE STABILIZER LINK		
0502843	48830-48010	STABILIZZATORE STABILIZER LINK		
0609284	45503-49125	SNODO ASSIALE AXIAL JOINT		RHT M15x1,5

DESTRO
RIGHT



SINISTRO
LEFT

TGE

TGE

11/2016 >

Asse Anteriore



Front Axle

0288675



0608675



0608675



0298675



0408675



0408675



1216420



1216420



0588675



0598675



OCAP	O.E.		
0288675	65467100002	TESTA STERZO TIE ROD END	RHT M20x1,5
0298675	65467100001	TESTA STERZO TIE ROD END	RHT M20x1,5
0408675	65433160006	SNODO SOSPENSIONE - CON KIT VITI BALL JOINT - WITH BOLT KIT	
0588675	65437180008	STABILIZZATORE STABILIZER LINK	
0598675	65437180009	STABILIZZATORE STABILIZER LINK	
0608675	65467100000	SNODO ASSIALE AXIAL JOINT	RHT M20x1,5
1216420	65433160005	SILENTBLOCK BUSHING	

DESTRO
RIGHT



SINISTRO
LEFT

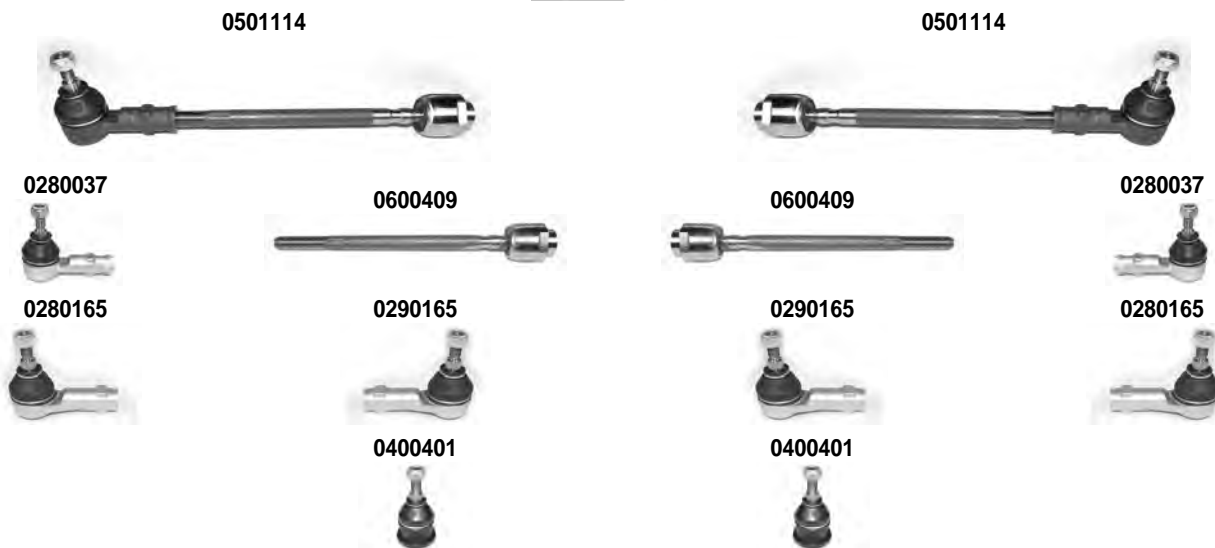
BITURBO /S
QUATTROPORTE
GHIBLI

1981 > 1994
1976 > 1989
1967 > 1973

Asse Anteriore



Front Axle



i 1) SOLO PER - ONLY FOR: BITURBO	2) SOLO PER - ONLY FOR: QUATTROPORTE - GHIBLI
--	---

OCAP	O.E.		i	
0280037	310220034-A	TESTA STERZO TIE ROD END		RHT M14x1,5
0280165	366602133	TESTA STERZO TIE ROD END	2)	RHT M14x1,5
0290165	366602134	TESTA STERZO TIE ROD END	2)	LHT M14x1,5
0400401	4469175 **	SNODO SOSPENSIONE - INFERIORE BALL JOINT - LOWER	1)	
0501114	310220034	BARRA STERZO TIE ROD	1)	
0600409	4322913	SNODO ASSIALE AXIAL JOINT	1)	RHT M14x1,5

DESTRO
RIGHT

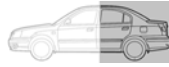


SINISTRO
LEFT

3200 GT
SPYDER GT CABRIOLET
SPYDER COUPE'

1998 > 2002
2001 >
2002 >

Asse Posteriore



Rear Axle

0501046



0501046



OCAP	O.E.			
0501046	387000126	STABILIZZATORE STABILIZER LINK		

DESTRO
RIGHT



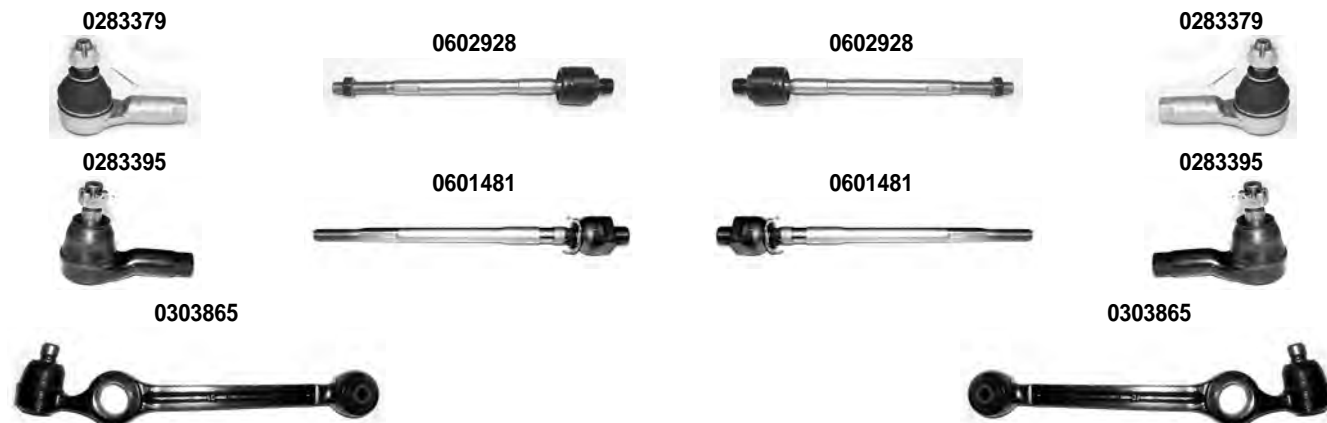
SINISTRO
LEFT

121 I 121 II	DA DB	10/1987 > 10/1990 11/1990 > 1996
-----------------	----------	-------------------------------------

Asse Anteriore



Front Axle



i 1) > 10/1990	2) 11/1990 >
-----------------------	--------------

OCAP	O.E.		i	
0283379	8AB1-32-280	TESTA STERZO TIE ROD END	1)	RHT M12x1,25
0283395	8AB2-32-280	TESTA STERZO TIE ROD END	2)	RHT M12x1,25
0303865	KKY01-34-310	BRACCIO OSCILLANTE - INFERIORE TRACK CONTROL ARM - LOWER		
0601481	D061-32-24XA	SNODO ASSIALE AXIAL JOINT	2)	RHT M12x1,25
0602928	KK150-32-240	SNODO ASSIALE AXIAL JOINT	1)	RHT M12x1,25

DESTRO
RIGHT

 SINISTRO
LEFT

121 III

JASM - JBSM

03/1996 > 2003

Asse Anteriore



Front Axle



i 1) STERZO MANUALE - MANUAL STEERING	2) SERVOSTERZO - POWER STEERING
--	---------------------------------

OCAP	O.E.		i	
0283963	1E00-32-280A	TESTA STERZO TIE ROD END		
0293963	1E01-32-280A	TESTA STERZO TIE ROD END		
0400854	1047797	SNODO SOSPENSIONE - INFERIORE BALL JOINT - LOWER		
0501329	1E00-34-170	STABILIZZATORE STABILIZER LINK		
0603964	1E00-32-240	SNODO ASSIALE AXIAL JOINT		
0781837	1E00-34-300E	BRACCIO OSCILLANTE - INFERIORE TRACK CONTROL ARM - LOWER	1)	
0781839	1E01-34-300E	BRACCIO OSCILLANTE - INFERIORE TRACK CONTROL ARM - LOWER	2)	
0791837	1E00-34-350E	BRACCIO OSCILLANTE - INFERIORE TRACK CONTROL ARM - LOWER	1)	
0791839	1E01-34-350E	BRACCIO OSCILLANTE - INFERIORE TRACK CONTROL ARM - LOWER	2)	
1215213	1010037	SILENTBLOCK CENTRALE CENTRAL BUSHING		
1215214	1014654	SILENTBLOCK ESTREMO OUTER BUSHING		

2

DESTRO
RIGHT

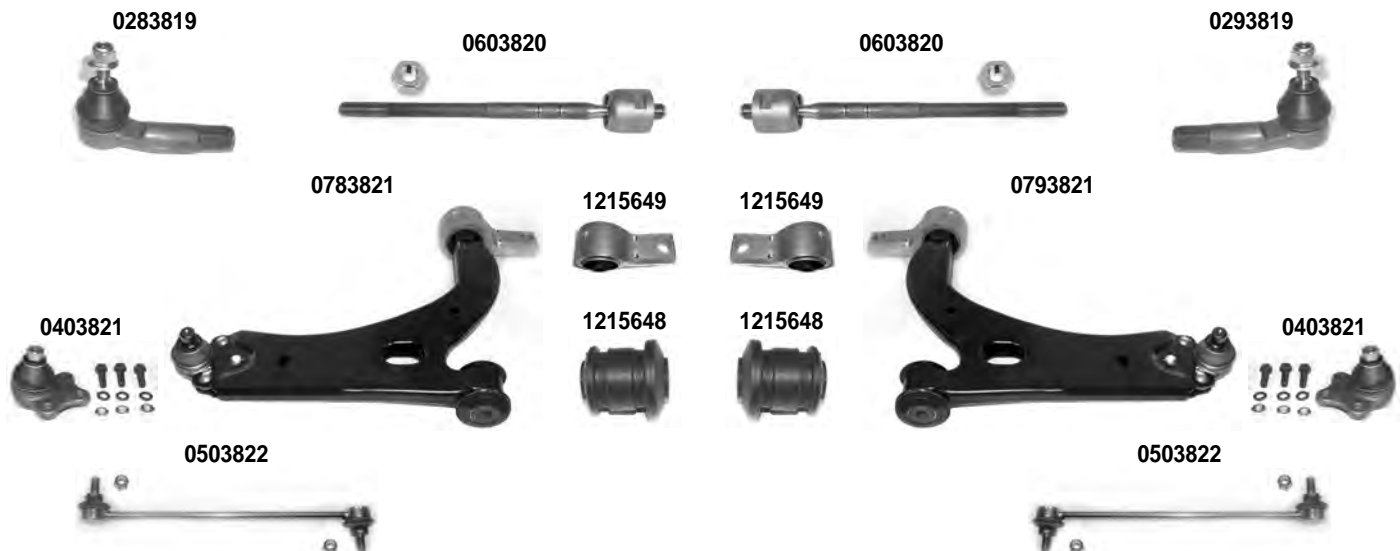


SINISTRO
LEFT

2	DY	04/2003 > 2007
---	----	----------------

Asse Anteriore

Front Axle



OCAP	O.E.			
0283819	DD32-32-280	TESTA STERZO TIE ROD END		RHT M14x1,5
0293819	DD32-32-290	TESTA STERZO TIE ROD END		RHT M14x1,5
0403821	1679382	SNODO SOSPENSIONE BALL JOINT		
0503822	DD32-34-170	STABILIZZATORE STABILIZER LINK		
0603820	DE90-32-240	SNODO ASSIALE AXIAL JOINT		RHT M14x1,5
0783821	DD32-34-300	BRACCIO OSCILLANTE TRACK CONTROL ARM		
0793821	DD32-34-350	BRACCIO OSCILLANTE TRACK CONTROL ARM		
1215648	1212807S1	SILENTBLOCK CENTRALE CENTRAL BUSHING		
1215649	1212807	SILENTBLOCK ESTREMO OUTER BUSHING		

DESTRO
RIGHT



SINISTRO
LEFT

2	DE	10/2007 >
---	----	-----------

Asse Anteriore



Front Axle



OCAP	O.E.		
0288091	D651-32-280	TESTA STERZO TIE ROD END	RHT M14x1,5
0298091	D651-32-290	TESTA STERZO TIE ROD END	RHT M14x1,5
0403252	1532433 *	SNODO SOSPENSIONE BALL JOINT	DIAM. 17,5 mm.
0503253	1513343	STABILIZZATORE STABILIZER LINK	
0608091	D653-32-240	SNODO ASSIALE AXIAL JOINT	RHT M14x1,5
0783252	1540724	BRACCIO OSCILLANTE TRACK CONTROL ARM	
0793252	1540725	BRACCIO OSCILLANTE TRACK CONTROL ARM	
1215968	1540725 *	SILENTBLOCK CENTRALE CENTRAL BUSHING	
1215969	1540724 *	SILENTBLOCK ESTREMO OUTER BUSHING	

3

DESTRO
RIGHT



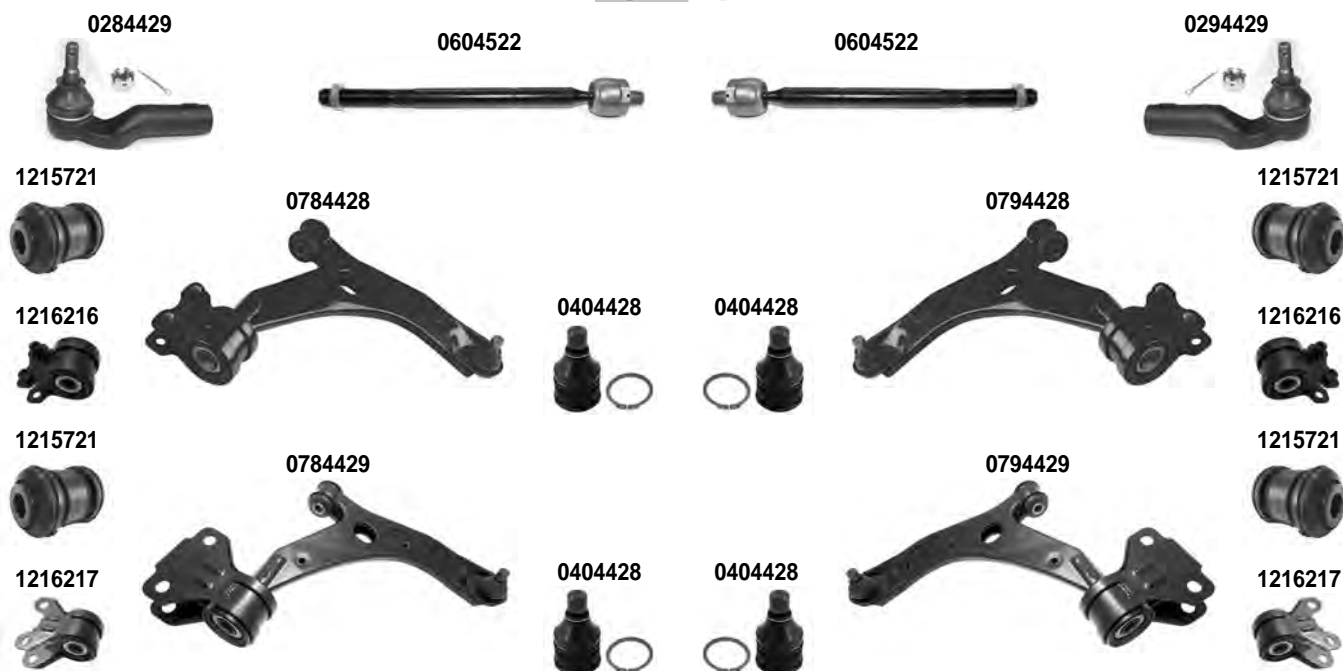
SINISTRO
LEFT

3	BK	06/2000 > 06/2009
3	BL	06/2009 > 2013
5	CR19	02/2005 > 2010
5	CW	09/2010 >

Asse Anteriore



Front Axle



i 1) SOLO PER SERIE - ONLYFOR SERIES: BK - CR19	2) SOLO PER SERIE - ONLYFOR SERIES: BL
--	---

OCAP	O.E.		i	
0284429	BP4L-32-280	TESTA STERZO TIE ROD END		RHT M17x1,5
0294429	BP4L-32-290	TESTA STERZO TIE ROD END		RHT M17x1,5
0404428	BK3P-34-300D	SNODO SOSPENSIONE - INFERIORE BALL JOINT - LOWER		
0604522	BP4L-32-240	SNODO ASSIALE AXIAL JOINT		RHT M17x1,5
0784428	B32H-34-300D	BRACCIO OSCILLANTE - INFERIORE TRACK CONTROL ARM - LOWER	1)	
0784429	BBM2-34-300	BRACCIO OSCILLANTE - INFERIORE TRACK CONTROL ARM - LOWER	2)	
0794428	B32H-34-350D	BRACCIO OSCILLANTE - INFERIORE TRACK CONTROL ARM - LOWER	1)	
0794429	BBM2-34-350	BRACCIO OSCILLANTE - INFERIORE TRACK CONTROL ARM - LOWER	2)	
1215721	B32H-34-300D *	SILENTBLOCK CENTRALE CENTRAL BUSHING		
1216216	BP4K-34-300E *	SILENTBLOCK ESTREMO OUTER BUSHING	1)	
1216217	BBM2-34-300 *	SILENTBLOCK ESTREMO OUTER BUSHING	2)	

DESTRO
RIGHT

 SINISTRO
LEFT

3	BK	06/2000 > 06/2009
3	BL	06/2009 > 2013
5	CR19	02/2005 > 2010
5	CW	09/2010 >

Asse Anteriore



Front Axle

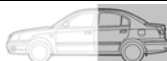
0504346



0504346



Asse Posteriore



Rear Axle

1215883



0702739



1215883



1215883



0702739



1215883



0504290



0704498



0704498



0504290



OCAP	O.E.			
0504290	BP4K-28-170D	STABILIZZATORE STABILIZER LINK		
0504346	BP4K-34-170D	STABILIZZATORE STABILIZER LINK		
0702739	BP4K-28-C10B	BRACCIO OSCILLANTE TRACK CONTROL ARM		
0704498	BP4K-28-500C	BRACCIO OSCILLANTE - INFERIORE TRACK CONTROL ARM - LOWER		
1215883	-	SILENTBLOCK BUSHING		

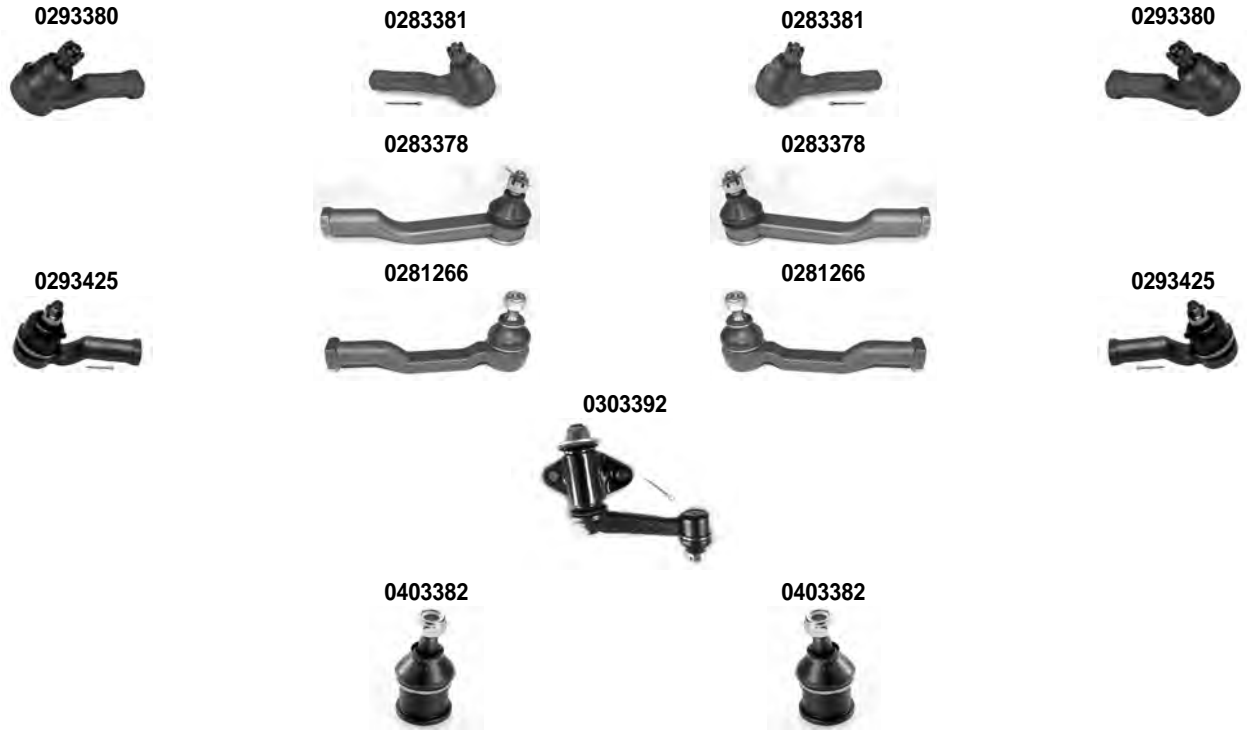
DESTRO
RIGHT



SINISTRO
LEFT

323 I FAMILIA - PRESTO	SP-ST-M SP-ST-M	1970 > 1976 1970 > 1976
---	--------------------	----------------------------

Asse Anteriore Front Axle



i 1) > 1975 3) 1972 > 1975 5) R H D	2) > 1972 4) 1975 > 1976
--	-----------------------------

OCAP	O.E.		i	
0281266	8531-99-322A	TESTA STERZO INTERNA <i>TIE ROD END INNER</i>	4)	RHT M14x1,5
0283378	0662-99-322A	TESTA STERZO INTERNA <i>TIE ROD END INNER</i>	3)	RHT M14x1,5
0283381	0305-99-322A	TESTA STERZO INTERNA <i>TIE ROD END INNER</i>	2)	RHT M14x1,5
0293380	0305-99-324A	TESTA STERZO ESTERNA <i>TIE ROD END OUTER</i>	1)	LHT M14x1,5
0293425	8021-99-324	TESTA STERZO ESTERNA <i>TIE ROD END OUTER</i>	4)	LHT M14x1,5
0303392	8021-32-320A	BRACCIO STERZO <i>IDLER ARM</i>	4) 5)	
0403382	0305-99-356A	SNODO SOSPENSIONE - INFERIORE <i>BALL JOINT - LOWER</i>		

DESTRO
RIGHT



SINISTRO
LEFT

**323 I - FAMILIA
LASER (FORD)**

FA
FA

1976 > 1985
1976 > 1985

Asse Anteriore



Front Axle



i 1) R H D				
OCAP	O.E.		i	
0281266	8531-99-322A	TESTA STERZO INTERNA <i>TIE ROD END INNER</i>		RHT M14x1,5
0291265	8531-99-324	TESTA STERZO ESTERNA <i>TIE ROD END OUTER</i>		LHT M14x1,5
0303393	8531-32-320	BRACCIO STERZO <i>IDLER ARM</i>	1)	
0403383	8531-99-356	SNODO SOSPENSIONE - INFERIORE <i>BALL JOINT - LOWER</i>		

DESTRO
RIGHT



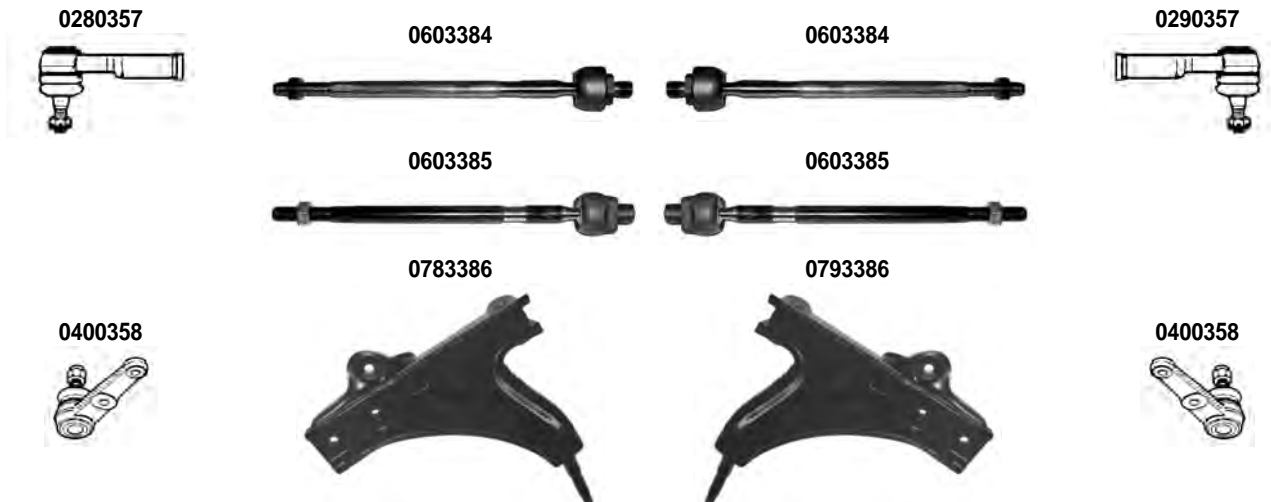
SINISTRO
LEFT

323 II - FAMILLIA LASER (FORD)	BD	1980 > 1989
	BD	1980 > 1989

Asse Anteriore



Front Axle



i 1) STERZO MANUALE - MANUAL STEERING	2) SERVOSTERZO - POWER STEERING
--	--

OCAP	O.E.		i	
0280357	B037-99-324	TESTA STERZO TIE ROD END		RHT M12x1,25
0290357	B037-99-325	TESTA STERZO TIE ROD END		RHT M12x1,25
0400358	B001-34-550	SNODO SOSPENSIONE - INFERIORE BALL JOINT - LOWER		
0603384	B001-32-135	SNODO ASSIALE AXIAL JOINT	1)	RHT M12x1,25
0603385	B038-32-135	SNODO ASSIALE AXIAL JOINT	2)	RHT M12x1,25
0783386	B001-34-310C	BRACCIO OSCILLANTE - INFERIORE TRACK CONTROL ARM - LOWER		
0793386	B001-34-360C	BRACCIO OSCILLANTE - INFERIORE TRACK CONTROL ARM - LOWER		

DESTRO
RIGHT

 SINISTRO
LEFT

**323 III - FAMILIA
LASER (FORD)**

 BF
BF

 1985 > 1990
1985 > 1990

Asse Anteriore



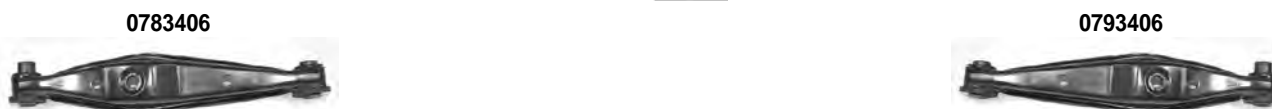
Front Axle



Asse Posteriore



Rear Axle



1) TIPO - TYPE: C.G.R. 3) SERVOSTERZO - POWER STEERING		2) TIPO - TYPE: V.G.R.	
OCAP	O.E.		
0283379	8AB1-32-280	TESTA STERZO TIE ROD END	RHT M12x1,25
0403390	B092-34-550	SNODO SOSPENSIONE - INFERIORE BALL JOINT - LOWER	
0504586	B029-34-159	STABILIZZATORE STABILIZER LINK	
0603388	B092-32-240	SNODO ASSIALE AXIAL JOINT	1) RHT M12x1,25
0603389	B094-32-240	SNODO ASSIALE AXIAL JOINT	2) RHT M12x1,25
0683387	B093-32-240	SNODO ASSIALE AXIAL JOINT	3) RHT M12x1,25
0693387	B093-32-250	SNODO ASSIALE AXIAL JOINT	3) RHT M12x1,25
0783391	B092-34-310A	BRACCIO OSCILLANTE - INFERIORE TRACK CONTROL ARM - LOWER	
0783406	B092-28-500B	BRACCIO OSCILLANTE TRACK CONTROL ARM	
0793391	B092-34-360A	BRACCIO OSCILLANTE - INFERIORE TRACK CONTROL ARM - LOWER	
0793406	B092-28-550B	BRACCIO OSCILLANTE TRACK CONTROL ARM	

DESTRO
RIGHT



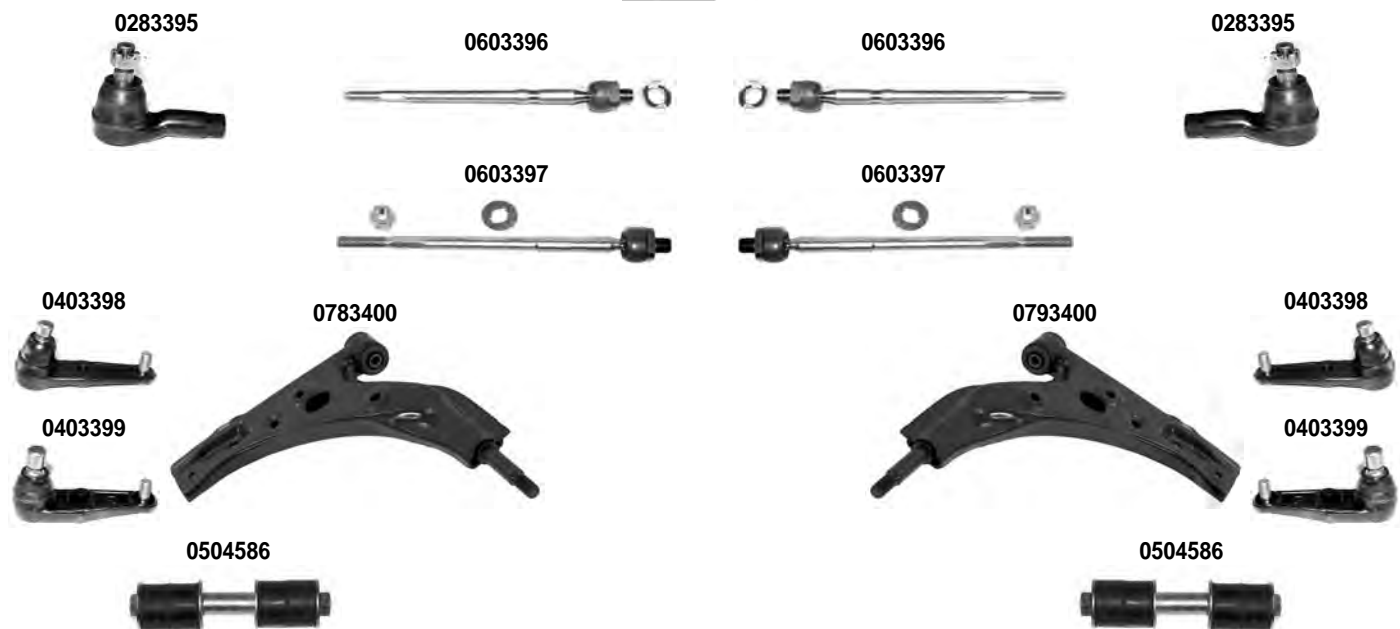
SINISTRO
LEFT

323 IV	BG	1989 > 1994
--------	----	-------------

Asse Anteriore



Front Axle



Asse Posteriore



Rear Axle



i 1) STERZO MANUALE - MANUAL STEERING 3) > CH. 1-630911	2) SERVOSTERZO - POWER STEERING 4) CH. 1-630912 >
---	--

OCAP	O.E.		i	
0283395	8AB2-32-280	TESTA STERZO TIE ROD END		RHT M12x1,25
0403398	B455-34-550	SNODO SOSPENSIONE - INFERIORE BALL JOINT - LOWER	3)	
0403399	B01A-34-550	SNODO SOSPENSIONE - INFERIORE BALL JOINT - LOWER	4)	
0504586	B029-34-159	STABILIZZATORE STABILIZER LINK		
0504587	8AG1-28-100A	STABILIZZATORE STABILIZER LINK		
0603396	B455-32-24X	SNODO ASSIALE AXIAL JOINT	1)	RHT M12x1,25
0603397	B456-32-25X	SNODO ASSIALE AXIAL JOINT	2)	RHT M12x1,25
0783400	B455-34-300	BRACCIO OSCILLANTE - INFERIORE TRACK CONTROL ARM - LOWER		
0783406	B092-28-500B	BRACCIO OSCILLANTE TRACK CONTROL ARM		
0793400	B455-34-350	BRACCIO OSCILLANTE - INFERIORE TRACK CONTROL ARM - LOWER		
0793406	B092-28-550B	BRACCIO OSCILLANTE TRACK CONTROL ARM		

DESTRO
RIGHT

 SINISTRO
LEFT

323 V

BA

1994 > 1998

Asse Anteriore



Front Axle

0283395



0604588



0604588



0283395



0604437



0604437



0604438



0604438



0783399



0403399



0403399



0793399



0583801



0593801



Asse Posteriore



Rear Axle

0504439



0504439



i	1) STERZO MANUALE - MANUAL STEERING	2) SERVOSTERZO - POWER STEERING
	3) SOLO PER - ONLY FOR: MOD. MOTORE - ENGINE 1.8	4) SOLO PER - ONLY FOR: MOD. MOTORE - ENGINE 1,5
	5) CH. 1-630912 >	

OCAP	O.E.		i	
0283395	8AB2-32-280	TESTA STERZO TIE ROD END		RHT M12x1,25
0403399	B01A-34-550	SNODO SOSPENSIONE - INFERIORE BALL JOINT - LOWER	5)	
0504439	EC01-34-150	STABILIZZATORE STABILIZER LINK		
0583801	GA2A-34-150A	STABILIZZATORE STABILIZER LINK		
0593801	GA2A-34-170A	STABILIZZATORE STABILIZER LINK		
0604437	E016-32-25X	SNODO ASSIALE AXIAL JOINT	2) 3)	RHT M12x1,25
0604438	B21H-32-25X	SNODO ASSIALE AXIAL JOINT	2) 4)	RHT M12x1,25
0604588	E016-32-250	SNODO ASSIALE AXIAL JOINT	1)	RHT M12x1,25
0783399	B01A-34-300E	BRACCIO OSCILLANTE - INFERIORE TRACK CONTROL ARM - LOWER		
0793399	B01A-34-350E	BRACCIO OSCILLANTE - INFERIORE TRACK CONTROL ARM - LOWER		

DESTRO
RIGHT



SINISTRO
LEFT

323 VI

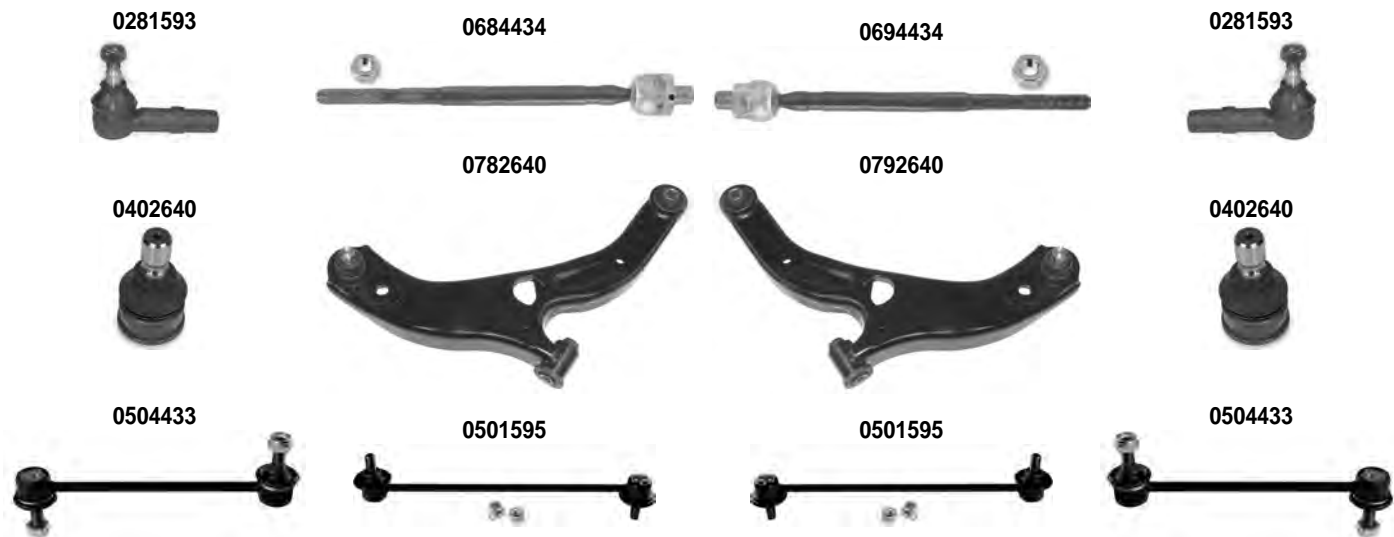
BJ

1998 > 2004

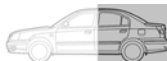
Asse Anteriore



Front Axle



Asse Posteriore



Rear Axle



i 1) > 08/2000 2) 08/2000 >

OCAP	O.E.		i	
0281593	GA2A-32-280A	TESTA STERZO TIE ROD END		RHT M14x1,5
0402640	LC62-34-550	SNODO SOSPENSIONE - INFERIORE BALL JOINT - LOWER		
0501588	B26R-28-170	STABILIZZATORE STABILIZER LINK	1)	L = 190 mm.
0501595	LC62-34-170	STABILIZZATORE STABILIZER LINK	2)	
0502797	B30H-28-170B	STABILIZZATORE STABILIZER LINK	2)	L = 160 mm.
0504433	B26R-34-170	STABILIZZATORE STABILIZER LINK	1)	
0684434	B25D-32-250	SNODO ASSIALE AXIAL JOINT		RHT M14x1,5
0694434	B25D-32-240	SNODO ASSIALE AXIAL JOINT		RHT M14x1,5
0782640	B25D-34-300A	BRACCIO OSCILLANTE - INFERIORE TRACK CONTROL ARM - LOWER		
0792640	B25D-34-350A	BRACCIO OSCILLANTE - INFERIORE TRACK CONTROL ARM - LOWER		

DESTRO
RIGHT



SINISTRO
LEFT

6	GG - GY	06/2002 > 2007
---	---------	----------------

Asse Anteriore



Front Axle



Asse Posteriore



Rear Axle



OCAP	O.E.			
0284430	GJ6E-32-280A	TESTA STERZO TIE ROD END		RHT M14xX1,5
0294430	GJ6E-32-290A	TESTA STERZO TIE ROD END		RHT M14xX1,5
0302775	GJ6A-34-300E	BRACCIO OSCILLANTE - INFERIORE TRACK CONTROL ARM - LOWER		
0382759	GJ6A-34-J00B	BRACCIO OSCILLANTE - INFERIORE TRACK CONTROL ARM - LOWER		
0392759	GJ6A-34-J50B	BRACCIO OSCILLANTE - INFERIORE TRACK CONTROL ARM - LOWER		
0404431	GJ6A-34-540	SNODO SOSPENSIONE - SUPERIORE BALL JOINT - UPPER		
0501587	GJ6A-28-170A	STABILIZZATORE STABILIZER LINK		
0584432	GJ6A-34-150A	STABILIZZATORE STABILIZER LINK		
0594432	GJ6A-34-170A	STABILIZZATORE STABILIZER LINK		
0604592	GJ6E-32-240	SNODO ASSIALE AXIAL JOINT		RHT M14xX1,5
0784431	GJ6A-34-200B	BRACCIO OSCILLANTE - SUPERIORE TRACK CONTROL ARM - UPPER		
0794431	GJ6A-34-250B	BRACCIO OSCILLANTE - SUPERIORE TRACK CONTROL ARM - UPPER		

DESTRO
RIGHT



SINISTRO
LEFT

6 6 SPORT 6 SPORT KOMBI	GH GH GH	08/2007 > 2013 08/2007 > 2013 02/2008 > 2013
-------------------------------	----------------	--

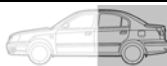
Asse Anteriore



Front Axle



Asse Posteriore



Rear Axle



OCAP	O.E.			
0288095	GS1D-32-280	TESTA STERZO TIE ROD END		RHT M14xX1,5
0298095	GS1D-32-290	TESTA STERZO TIE ROD END		RHT M14xX1,5
0388095	GS1D-34-300G	BRACCIO OSCILLANTE - INFERIORE TRACK CONTROL ARM - LOWER		
0398095	GS1D-34-350G	BRACCIO OSCILLANTE - INFERIORE TRACK CONTROL ARM - LOWER		
0404431	GJ6A-34-540	SNODO SOSPENSIONE - SUPERIORE BALL JOINT - UPPER		
0508096	GS1D-28-170	STABILIZZATORE STABILIZER LINK		
0588095	GS1D-34-150	STABILIZZATORE STABILIZER LINK		
0598095	GS1D-34-170	STABILIZZATORE STABILIZER LINK		
0608095	GS1D-32-240	SNODO ASSIALE AXIAL JOINT		RHT M14xX1,5
0788096	GS1D-34-200A	BRACCIO OSCILLANTE - SUPERIORE TRACK CONTROL ARM - UPPER		
0798096	GS1D-34-250A	BRACCIO OSCILLANTE - SUPERIORE TRACK CONTROL ARM - UPPER		

DESTRO
RIGHT

 SINISTRO
LEFT

 626 - CAPELLA
626 - CAPELLA

 S
CB

 1970 > 1974
1978 > 1982

Asse Anteriore



Front Axle

0293380



0283381



0283381



0293380



0291265



0281268



0281268



0291265



0281266



0281266



0403382



0403382



0403383



0403383



i 1) > 1974 3) 1978 > 1980		2) 1978 > 4) 1980 >	
OCAP	O.E.		
0281266	8531-99-322A	TESTA STERZO - INTERNA TIE ROD END - INNER	4) RHT M14x1,5
0281268	8173-99-322	TESTA STERZO - INTERNA TIE ROD END - INNER	3) RHT M14x1,5
0283381	0305-99-322A	TESTA STERZO - INTERNA TIE ROD END - INNER	1) RHT M14x1,5
0291265	8531-99-324	TESTA STERZO - ESTERNA TIE ROD END - OUTER	2) LHT M14x1,5
0293380	0305-99-324A	TESTA STERZO - ESTERNA TIE ROD END - OUTER	1) LHT M14x1,5
0403382	0305-99-356A	SNODO SOSPENSIONE - INFERIORE BALL JOINT - LOWER	1)
0403383	8531-99-356	SNODO SOSPENSIONE - INFERIORE BALL JOINT - LOWER	2)

DESTRO
RIGHT



SINISTRO
LEFT

626 - CAPELLA - TELSTAR (FORD)

GC

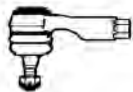
1982 > 1987

Asse Anteriore



Front Axle

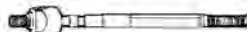
0280347



0680348



0690348



0280347



0683401



0693401



0400349



0783404



0793404



0400349



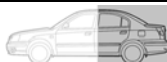
0583801



0593801



Asse Posteriore



Rear Axle

0504587



0504587



i 1) STERZO MANUALE - MANUAL STEERING	2) SERVOSTERZO - POWER STEERING
--	---------------------------------

OCAP	O.E.		i	
0280347	H001-99-324	TESTA STERZO TIE ROD END		RHT M14x1,5
0400349	OG030-34-550B	SNODO SOSPENSIONE - INFERIORE BALL JOINT - LOWER		
0504587	8AG1-28-100A	STABILIZZATORE STABILIZER LINK		
0583801	GA2A-34-150A	STABILIZZATORE STABILIZER LINK		
0593801	GA2A-34-170A	STABILIZZATORE STABILIZER LINK		
0680348	G030-32-240A	SNODO ASSIALE AXIAL JOINT	1)	RHT M14x1,5
0683401	G037-32-240C	SNODO ASSIALE AXIAL JOINT	2)	RHT M14x1,5
0690348	G030-32-250A	SNODO ASSIALE AXIAL JOINT	1)	RHT M14x1,5
0693401	G037-32-250C	SNODO ASSIALE AXIAL JOINT	2)	RHT M14x1,5
0783404	G030-34-300F	BRACCIO OSCILLANTE - INFERIORE TRACK CONTROL ARM - LOWER		
0793404	G030-34-350F	BRACCIO OSCILLANTE - INFERIORE TRACK CONTROL ARM - LOWER		

DESTRO
RIGHT

 SINISTRO
LEFT

626 - CAPELLA - TELSTAR (FORD)

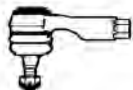
GD

1987 > 1991

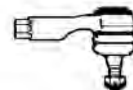
Asse Anteriore

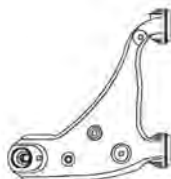


Front Axle

0280347

0603508

0603508

0280347

0400349

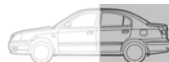
0783405

0793405

0400349

0502656

0502656


Asse Posteriore



Rear Axle

0504587

0504587


OCAP	O.E.		i	
0280347	H001-99-324	TESTA STERZO <i>TIE ROD END</i>		RHT M14x1,5
0400349	0G030-34-550B	SNODO SOSPENSIONE - INFERIORE <i>BALL JOINT - LOWER</i>		
0502656	8AG1-34-100	STABILIZZATORE <i>STABILIZER LINK</i>		
0504587	8AG1-28-100A	STABILIZZATORE <i>STABILIZER LINK</i>		
0603508	GJ21-32-240	SNODO ASSIALE <i>AXIAL JOINT</i>		RHT M14x1,5
0783405	GF22-34-300A	BRACCIO OSCILLANTE - INFERIORE <i>TRACK CONTROL ARM - LOWER</i>		
0793405	GF22-34-350A	BRACCIO OSCILLANTE - INFERIORE <i>TRACK CONTROL ARM - LOWER</i>		

DESTRO
RIGHT



SINISTRO
LEFT

626 - CAPELLA	GE	1992 > 1997
---------------	----	-------------

Asse Anteriore



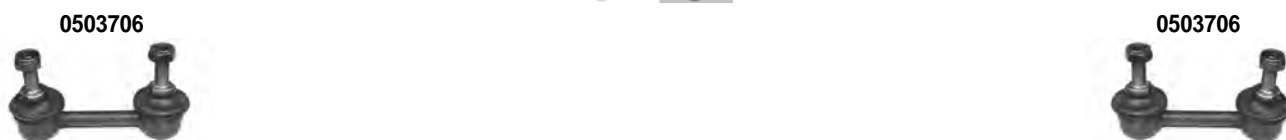
Front Axle



Asse Posteriore



Rear Axle



OCAP	O.E.			
0281593	GA2A-32-280A	TESTA STERZO TIE ROD END		RHT M14x1,5
0400349	0G030-34-550B	SNODO SOSPENSIONE - INFERIORE BALL JOINT - LOWER		
0503706	GA2C-28-170B	STABILIZZATORE STABILIZER LINK		
0583801	GA2A-34-150A	STABILIZZATORE STABILIZER LINK		
0593801	GA2A-34-170A	STABILIZZATORE STABILIZER LINK		
0604450	GA2A-32-250	SNODO ASSIALE AXIAL JOINT		RHT M14x1,5
0783409	GA6BE-34-300	BRACCIO OSCILLANTE - INFERIORE TRACK CONTROL ARM - LOWER		
0793409	GA6BE-34-350	BRACCIO OSCILLANTE - INFERIORE TRACK CONTROL ARM - LOWER		

DESTRO
RIGHT

 SINISTRO
LEFT

626

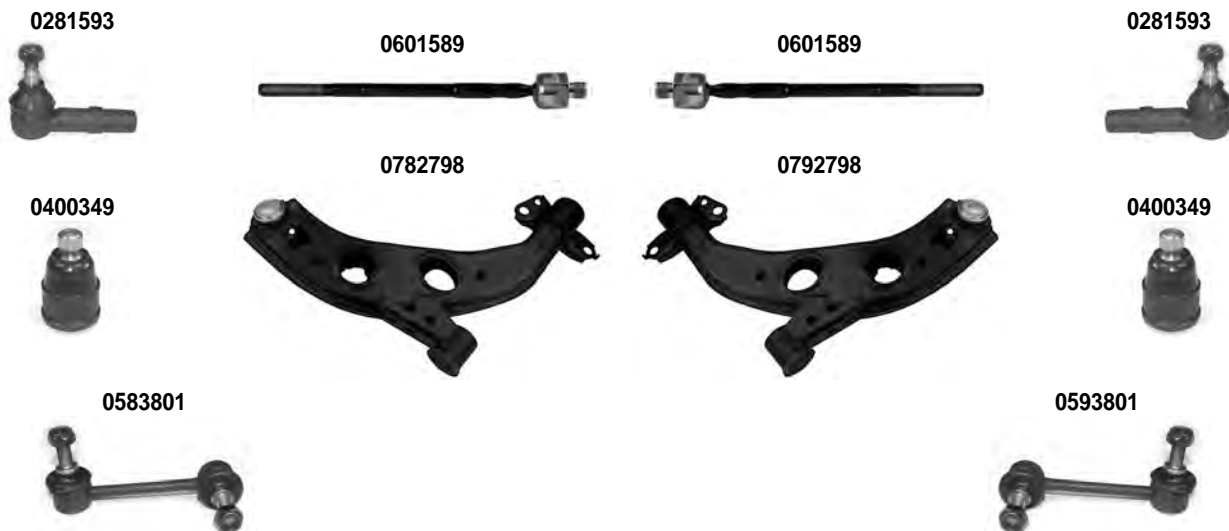
GF

05/1997 > 10/2002

Asse Anteriore



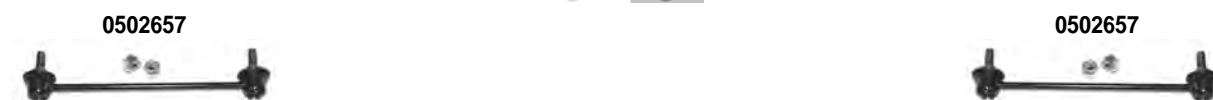
Front Axle



Asse Posteriore



Rear Axle



OCAP	O.E.			
0281593	GA2A-32-280A	TESTA STERZO TIE ROD END		RHT M14x1,5
0400349	0G030-34-550B	SNODO SOSPENSIONE - INFERIORE BALL JOINT - LOWER		
0502657	GE4T-28-170	STABILIZZATORE STABILIZER LINK		
0583801	GA2A-34-150A	STABILIZZATORE STABILIZER LINK		
0593801	GA2A-34-170A	STABILIZZATORE STABILIZER LINK		
0601589	GE4T-32-240	SNODO ASSIALE AXIAL JOINT		RHT M14x1,5
0782798	GD7A-34-300A	BRACCIO OSCILLANTE - INFERIORE TRACK CONTROL ARM - LOWER		
0792798	GD7A-34-350A	BRACCIO OSCILLANTE - INFERIORE TRACK CONTROL ARM - LOWER		

DESTRO
RIGHT



SINISTRO
LEFT

929 - LUCE - RX4 - RX9

LA

1974 > 1981

Asse Anteriore



Front Axle

0293413



0283414



0283414



0293413



0403417



0403419



0403419



0403417



i 1) > 1978	2) 1978 >
--------------------	-----------

OCAP	O.E.		i	
0283414	1175-99-322A	TESTA STERZO - INTERNA TIE ROD END - INNER		RHT M14x1,5
0293413	1175-99-324A	TESTA STERZO - ESTERNA TIE ROD END - OUTER		LHT M14x1,5
0403417	8650-99-356	SNODO SOSPENSIONE - INFERIORE BALL JOINT - LOWER	1)	
0403419	8559-99-354	SNODO SOSPENSIONE - INFERIORE BALL JOINT - LOWER	2)	

DESTRO
RIGHT

 SINISTRO
LEFT

929 - LUCE - RX4 - RX9

HB

1981 > 1991

Asse Anteriore



Front Axle

0280347

0603421

0603421

0280347

0603422

0603422

0680423

0690423

0403424

0403424


Asse Posteriore



Rear Axle

0501582

0501582


i 1) STERZO MANUALE - MANUAL STEERING 3) > 1986		2) SERVOSTERZO - POWER STEERING 4) 1986 >	
OCAP	O.E.		
0280347	H001-99-324	TESTA STERZO TIE ROD END	RHT M14x1,5
0403424	H2Y0-99-356	SNODO SOSPENSIONE - INFERIORE BALL JOINT - LOWER	4)
0501582	0K0A3-28-170A	STABILIZZATORE STABILIZER LINK	
0603421	H001-32-240	SNODO ASSIALE AXIAL JOINT	1) 3) RHT M14x1,5
0603422	H002-32-240	SNODO ASSIALE AXIAL JOINT	2) 3) RHT M14x1,5
0680423	H261-32-240A	SNODO ASSIALE AXIAL JOINT	4) RHT M14x1,5
0690423	H260-32-240A	SNODO ASSIALE AXIAL JOINT	4) RHT M14x1,5

DESTRO
RIGHT



SINISTRO
LEFT

BONGO
E2000 - E 2200

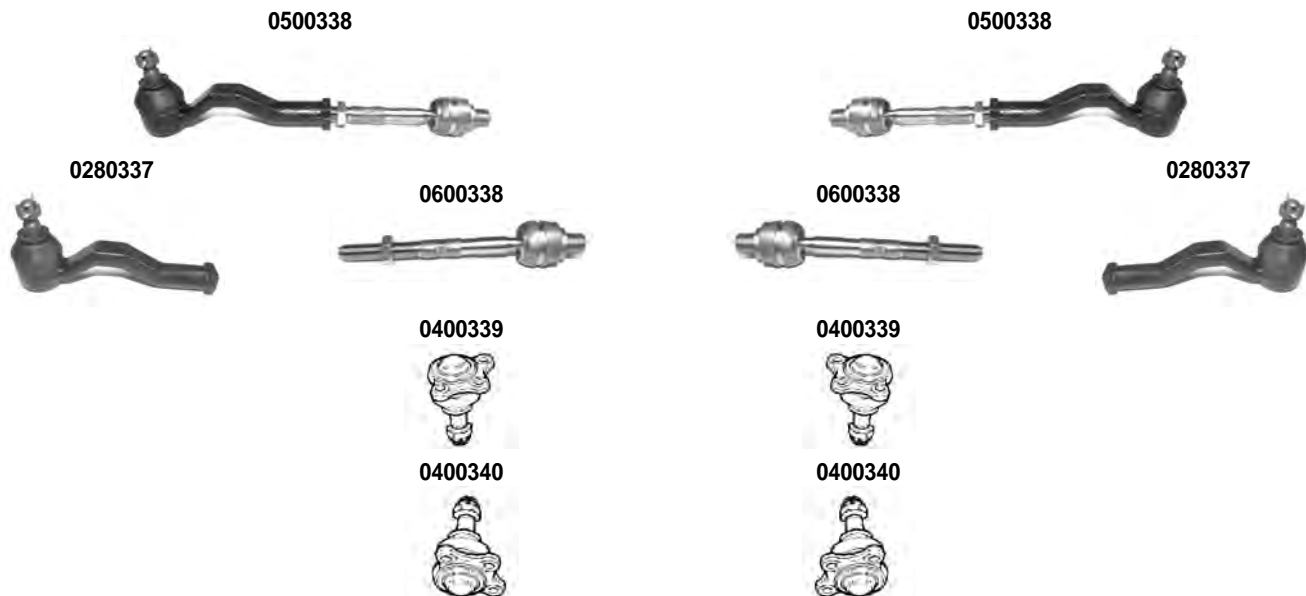
SR-SS-SD
SR1

1983 > 1999
01/1984 > 07/1999

Asse Anteriore



Front Axle



OCAP	O.E.			
0280337	S083-99-324	TESTA STERZO TIE ROD END		RHT M14x1,5
0400339	S083-99-354	SNODO SOSPENSIONE - SUPERIORE BALL JOINT - UPPER		
0400340	S083-99-356	SNODO SOSPENSIONE - INFERIORE BALL JOINT - LOWER		
0500338	-	BARRA STERZO TIE ROD		
0600338	S083-32-115	SNODO ASSIALE AXIAL JOINT		RHT M14x1,5

DESTRO
RIGHT



SINISTRO
LEFT

B1600 > B2600 (PICK-UP)
B 2.5 - 2.6

U
UN

1984 > 06/1999
02/1999 > 03/2005

Asse Anteriore



Front Axle

0282932



0282932



0282934



0282934



0292933



0292933



0292935



0292935



0402936



0402937



0402937



0402936



0404589



0404589



i	1) > 1987	2) 1987 >
	3) SOLO PER - ONLY FOR: MOD. 2WD	4) SOLO PER - ONLY FOR: MOD. 4WD
	5) SOLO PER - ONLY FOR: MOD. 2.600	

OCAP	O.E.		i	
0282932	UB39-99-322	TESTA STERZO - ESTERNA TIE ROD END - OUTER	1)	RHT M14x1,5
0282934	8AU2-32-270	TESTA STERZO - INTERNA TIE ROD END - INNER	2)	RHT M14x1,5
0292933	UB39-99-324	TESTA STERZO - ESTERNA TIE ROD END - OUTER	3)	LHT M14x1,5
0292935	8AU1-32-280	TESTA STERZO - ESTERNA TIE ROD END - OUTER	4)	LHT M14x1,5
0402936	8AU1-34-540	SNODO SOSPENSIONE - SUPERIORE BALL JOINT - UPPER		
0402937	8AU2-34-510	SNODO SOSPENSIONE - INFERIORE BALL JOINT - LOWER		
0404589	8AU3-34-510	SNODO SOSPENSIONE - INFERIORE BALL JOINT - LOWER	2) 5)	

DESTRO
RIGHT



SINISTRO
LEFT

BT-50	CD	12/2006 > 2011
-------	----	----------------

Asse Anteriore



Front Axle

0295586



0295586



0295587



0285586



0285586



0295587



0305586



0402936



0405586



0405586



0402936



0505586



0505586



i 1) SOLO PER - ONLY FOR: MOD. 2WD	2) SOLO PER - ONLY FOR: MOD. 4WD
---	----------------------------------

OCAP	O.E.		i	
0285586	UR56-32-250	TESTA STERZO - INTERNA TIE ROD END - INNER	2)	RHT M14x1,5
0295586	UR56-32-280	TESTA STERZO - ESTERNA TIE ROD END - OUTER	1)	LHT M14x1,5
0295587	UR61-32-280	TESTA STERZO - ESTERNA TIE ROD END - OUTER	2)	LHT M14x1,5
0305586	UA3N-32-320A	BRACCIO STERZO IDLER ARM		
0402936	8AU1-34-540	SNODO SOSPENSIONE - SUPERIORE BALL JOINT - UPPER		
0405586	UR61-34-550	SNODO SOSPENSIONE - INFERIORE BALL JOINT - LOWER		
0505586	UH71-34-152 *	STABILIZZATORE STABILIZER LINK		

DESTRO
RIGHT

 SINISTRO
LEFT

CX-7

ER

06/2006 > 2014

Asse Anteriore



Front Axle

0288097



0608097



0608097



0298097



0408097



0788097



0798097



0408097



0593801



0583801



Asse Posteriore



Rear Axle

0708097



0708097



OCAP	O.E.			
0288097	EG21-32-280A	TESTA STERZO TIE ROD END		RHT M14x1,5
0298097	EG21-32-290A	TESTA STERZO TIE ROD END		RHT M14x1,5
0408097	EH44-34-300 *	SNODO SOSPENSIONE - INFERIORE BALL JOINT - LOWER		
0583801	GA2A-34-150A	STABILIZZATORE STABILIZER LINK		
0593801	GA2A-34-170A	STABILIZZATORE STABILIZER LINK		
0608097	EG21-32-240	SNODO ASSIALE AXIAL JOINT		RHT M14x1,5
0708097	EG21-28-500B	BRACCIO OSCILLANTE TRACK CONTROL ARM		
0788097	EG21-34-300D	BRACCIO OSCILLANTE - INFERIORE TRACK CONTROL ARM - LOWER		
0798097	EG21-34-350D	BRACCIO OSCILLANTE - INFERIORE TRACK CONTROL ARM - LOWER		

DESTRO
RIGHT



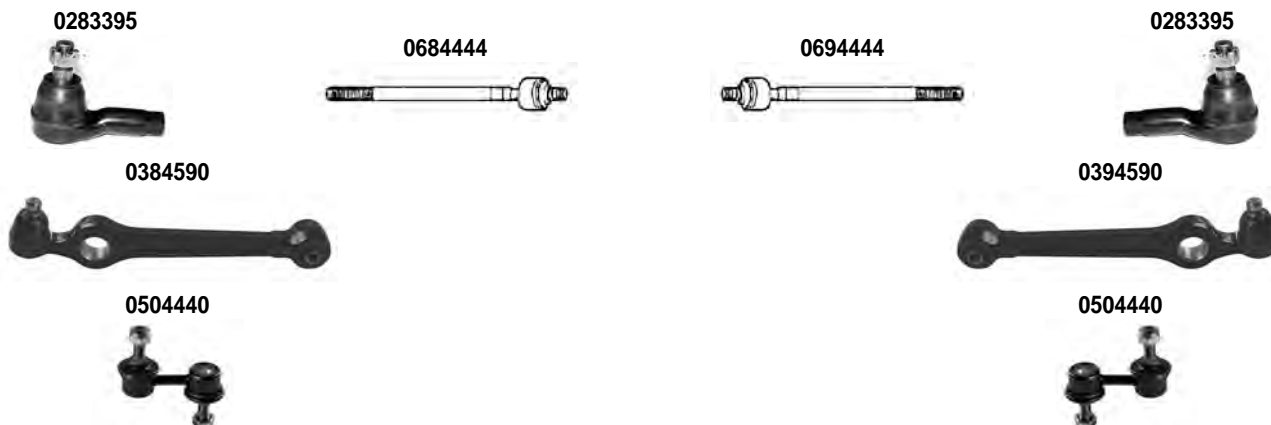
SINISTRO
LEFT

DEMIO	DW	08/1998 >
-------	----	-----------

Asse Anteriore



Front Axle



OCAP	O.E.			
0283395	8AB2-32-280	TESTA STERZO TIE ROD END		RHT M12x1,25
0384590	D201-34-300E	BRACCIO OSCILLANTE - INFERIORE TRACK CONTROL ARM - LOWER		
0394590	D201-34-350A	BRACCIO OSCILLANTE - INFERIORE TRACK CONTROL ARM - LOWER		
0504440	EA03-34-170A	STABILIZZATORE STABILIZER LINK		
0684444	D10232250A	SNODO ASSIALE AXIAL JOINT		RHT M12x1,25
0694444	D10232240A	SNODO ASSIALE AXIAL JOINT		RHT M12x1,25

DESTRO
RIGHT

 SINISTRO
LEFT

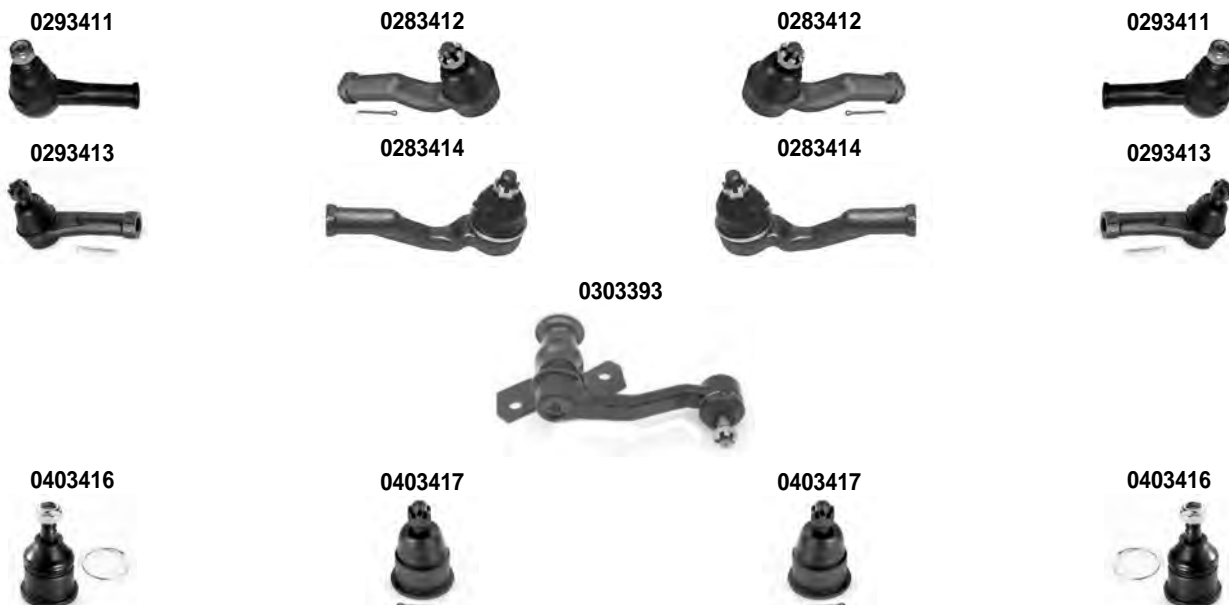
GRAND FAMILIA - STC

ST-SU-SN

1971 > 1978

Asse Anteriore

Front Axle



i	1) > 1975	2) 1975 >
	3) R H D	
	5) 1977 >	4) > 1977

OCAP	O.E.		i	
0283412	0866-99-322	TESTA STERZO - INTERNA TIE ROD END - INNER	1)	RHT M14x1,5
0283414	1175-99-322A	TESTA STERZO - INTERNA TIE ROD END - INNER	2)	RHT M14x1,5
0293411	0866-99-324A	TESTA STERZO - ESTERNA TIE ROD END - OUTER	1)	LHT M14x1,5
0293413	1175-99-324A	TESTA STERZO - ESTERNA TIE ROD END - OUTER	2)	LHT M14x1,5
0303393	8531-32-320	BRACCIO STERZO IDLER ARM	3)	
0403416	0866-99-356A	SNODO SOSPENSIONE - INFERIORE BALL JOINT - LOWER	4)	
0403417	8650-99-356	SNODO SOSPENSIONE - INFERIORE BALL JOINT - LOWER	5)	

DESTRO
RIGHT



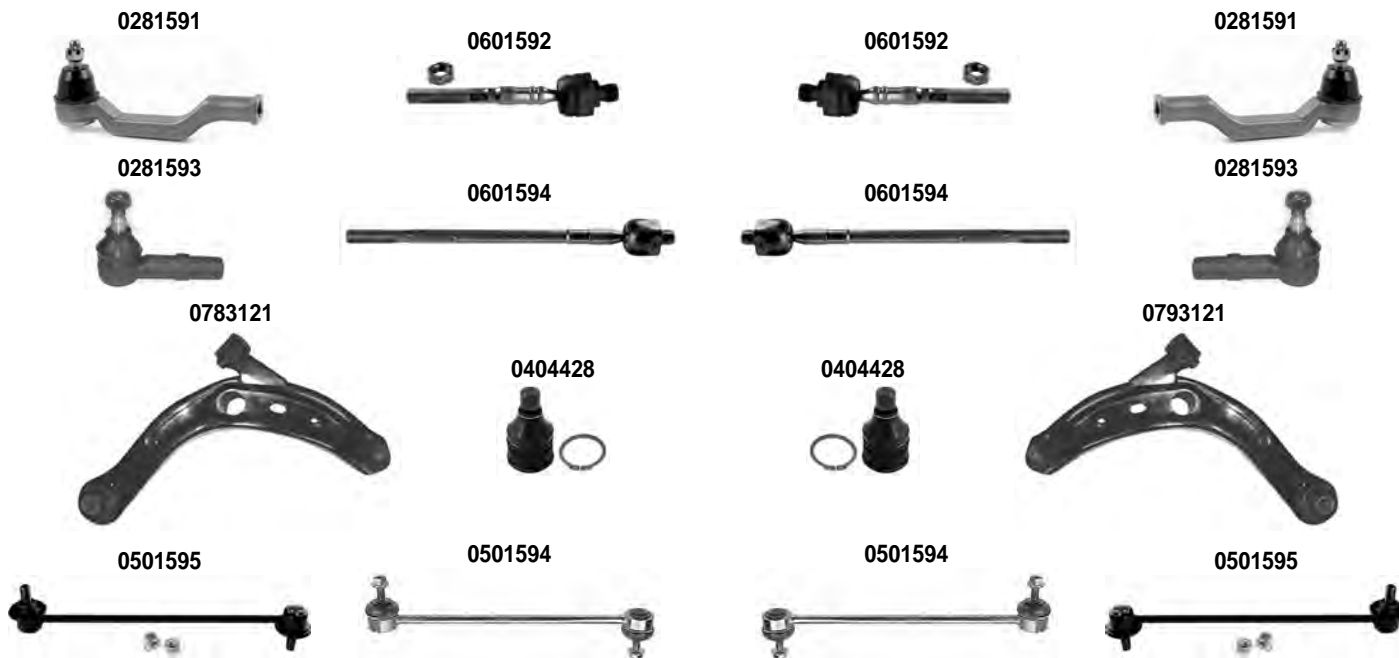
SINISTRO
LEFT

MPV I MPV II	LV LW	03/1995 > 09/1999 09/1999 > 2006
-----------------	----------	-------------------------------------

Asse Anteriore



Front Axle



i 1) SOLO PER - ONLY FOR: MOD. MPV I 3) > CH. 109195	2) SOLO PER - ONLY FOR: MOD. MPV II 4) CH. 109196 >
--	--

OCAP	O.E.		i	
0281591	8AL1-32-280	TESTA STERZO TIE ROD END	1)	RHT M14x1,5
0281593	GA2A-32-280A	TESTA STERZO TIE ROD END	2)	RHT M14x1,5
0404428	LC62-32-280	SNODO SOSPENSIONE - INFERIORE BALL JOINT - LOWER	2)	
0501594	LC70-34-170	STABILIZZATORE STABILIZER LINK	2)4)	
0501595	LC62-34-170	STABILIZZATORE STABILIZER LINK	2)3)	
0601592	LA01-32-115	SNODO ASSIALE AXIAL JOINT	1)	RHT M14x1,5
0601594	LC62-32-240B	SNODO ASSIALE AXIAL JOINT	2)	RHT M14x1,5
0783121	LC62-34-300C	BRACCIO OSCILLANTE - INFERIORE TRACK CONTROL ARM - LOWER	2)	
0793121	LC62-34-350C	BRACCIO OSCILLANTE - INFERIORE TRACK CONTROL ARM - LOWER	2)	

DESTRO
RIGHT

 SINISTRO
LEFT

MX-3

EC

1991 >

Asse Anteriore



Front Axle

0283395

0604437

0604437
0283395

0403399

0403399

0504440

0504440


Asse Posteriore





Rear Axle

0504441

0504441

i 1) CH. 1-630912 >

OCAP	O.E.		i	
0283395	8AB2-32-280	TESTA STERZO TIE ROD END		RHT M12x1,25
0403399	B01A-34-550	SNODO SOSPENSIONE - INFERIORE BALL JOINT - LOWER	1)	
0504440	EA03-34-170A	STABILIZZATORE STABILIZER LINK		
0504441	EA01-28-170	STABILIZZATORE STABILIZER LINK		
0604437	E016-32-25X	SNODO ASSIALE AXIAL JOINT		RHT M12x1,25

DESTRO
RIGHT



SINISTRO
LEFT

MX-5 I	NA	09/1989 > 04/1998
--------	----	-------------------

Asse Anteriore

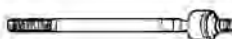


Front Axle

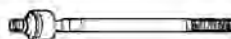
0284490



0604443



0604443



0284490



0404447



0404447





0504442



0504442



OCAP	O.E.		
0284490	8AN1-32-280	TESTA STERZO TIE ROD END	RHT M12x1,25
0404447	NA01-34-550	SNODO SOSPENSIONE - INFERIORE BALL JOINT - LOWER	
0504442	NA01-34-170	STABILIZZATORE STABILIZER LINK	
0604443	NA01-32-240	SNODO ASSIALE AXIAL JOINT	RHT M12x1,25

DESTRO
RIGHT

 SINISTRO
LEFT

MX-5 II

NB

01/1998 > 10/2005

Asse Anteriore



Front Axle

0284490



0682799



0692799



0284490



0782800



0792800



0782801



0404447



0404447



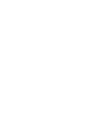
0792801



0582802



0404447



0404447



0592802



OCAP	O.E.			
0284490	8AN1-32-280	TESTA STERZO TIE ROD END		RHT M12x1,25
0404447	NA01-34-550	SNODO SOSPENSIONE - INFERIORE BALL JOINT - LOWER		
0582802	NC10-34-150	STABILIZZATORE STABILIZER LINK		
0592802	NC10-34-170	STABILIZZATORE STABILIZER LINK		
0682799	NC10-32-240A	SNODO ASSIALE AXIAL JOINT		RHT M12x1,25
0692799	NC10-32-250A	SNODO ASSIALE AXIAL JOINT		RHT M12x1,25
0782800	N068-34-200	BRACCIO OSCILLANTE - SUPERIORE TRACK CONTROL ARM - UPPER		
0782801	N066-34-310	BRACCIO OSCILLANTE - INFERIORE TRACK CONTROL ARM - LOWER		
0792800	N068-34-250	BRACCIO OSCILLANTE - SUPERIORE TRACK CONTROL ARM - UPPER		
0792801	N066-34-360	BRACCIO OSCILLANTE - INFERIORE TRACK CONTROL ARM - LOWER		

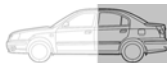
DESTRO
RIGHT



SINISTRO
LEFT

MX-5 II	NB	01/1998 > 10/2005
---------	----	-------------------

Asse Posteriore





Rear Axle

0583801



0593801



OCAP	O.E.			
0583801	GA2A-34-150A	STABILIZZATORE STABILIZER LINK		
0593801	GA2A-34-170A	STABILIZZATORE STABILIZER LINK		

DESTRO
RIGHT

 SINISTRO
LEFT

MX-5 III

NC

07/2005 > 2014

Asse Anteriore



Front Axle

0285585



0605585



0605585



0285585



0385585



0395585



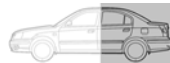
0583801



0593801



Asse Posteriore






Rear Axle

0505585



0505585



OCAP	O.E.			
0285585	NE51-32-280A	TESTA STERZO TIE ROD END		RHT M14x1,5
0385585	NE51-34-300D	BRACCIO OSCILLANTE - INFERIORE TRACK CONTROL ARM - LOWER		
0395585	NE51-34-350D	BRACCIO OSCILLANTE - INFERIORE TRACK CONTROL ARM - LOWER		
0505585	F151-28-170	STABILIZZATORE STABILIZER LINK		
0583801	GA2A-34-150A	STABILIZZATORE STABILIZER LINK		
0593801	GA2A-34-170A	STABILIZZATORE STABILIZER LINK		
0605585	NE51-32-240	SNODO ASSIALE AXIAL JOINT		RHT M14x1,5

DESTRO
RIGHT



SINISTRO
LEFT

MX-6	GE6	07/1991 >
------	-----	-----------

Asse Anteriore



Front Axle

0281593



0604450



0604450



0281593



0400349



0400349



OCAP	O.E.			
0281593	GA2A-32-280A	TESTA STERZO TIE ROD END		RHT M14x1,5
0400349	OG030-34-550B	SNODO SOSPENSIONE - INFERIORE BALL JOINT - LOWER		
0604450	GA2A-32-250	SNODO ASSIALE AXIAL JOINT		RHT M14x1,5

DESTRO
RIGHT



SINISTRO
LEFT

PREMACY

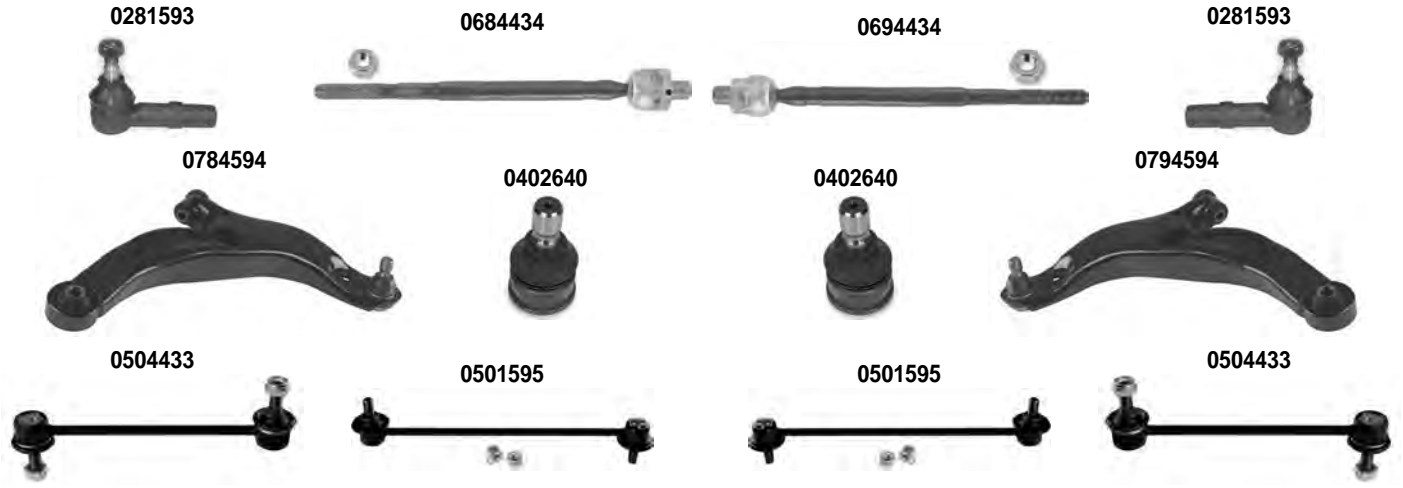
CP

07/1999 > 2005

Asse Anteriore



Front Axle



Asse Posteriore



Rear Axle



i 1) > 08/2000 2) 08/2000 >

OCAP	O.E.		i	
0281593	GA2A-32-280A	TESTA STERZO TIE ROD END		RHT M14x1,5
0402640	LC62-34-550	SNODO SOSPENSIONE - INFERIORE BALL JOINT - LOWER		
0501588	B26R-28-170	STABILIZZATORE STABILIZER LINK	1)	
0501595	LC62-34-170	STABILIZZATORE STABILIZER LINK	2)	
0502797	B30H-28-170B	STABILIZZATORE STABILIZER LINK	2)	
0504433	B26R-34-170	STABILIZZATORE STABILIZER LINK	1)	
0684434	B25D-32-250	SNODO ASSIALE AXIAL JOINT		RHT M14x1,5
0694434	B25D-32-240	SNODO ASSIALE AXIAL JOINT		RHT M14x1,5
0784594	C100-34-300B	BRACCIO OSCILLANTE - INFERIORE TRACK CONTROL ARM - LOWER		
0794594	C100-34-350B	BRACCIO OSCILLANTE - INFERIORE TRACK CONTROL ARM - LOWER		

DESTRO
RIGHT



SINISTRO
LEFT

PROCED - COURIER - B 1600 > B 2200

BU-BN-BT-PE

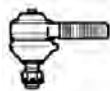
1965 >

Asse Anteriore



Front Axle

0193429



0193429



0292933



0280342



0280342



0292933



0300346



0300345



0303432



0400343



0400344



0400344



0400343



i 1) > 1980 3) L H D		2) 1980 > 4) R H D	
OCAP	O.E.		i
0193429	0603-99-324	TESTA STERZO - ESTERNA TIE ROD END - OUTER	1) LHT M16x1,5
0280342	UA01-99-322	TESTA STERZO - INTERNA TIE ROD END - INNER	2) RHT M14x1,5
0292933	UA01-99-324	TESTA STERZO - ESTERNA TIE ROD END - OUTER	2) LHT M14x1,5
0300345	UA04-32-220	LEVA STERZO PITMAN ARM	3)
0300346	UA04-32-320	BRACCIO STERZO IDLER ARM	3)
0303432	UA01-32-320	BRACCIO STERZO IDLER ARM	4)
0400343	UA01-99-354	SNODO SOSPENSIONE - SUPERIORE BALL JOINT - UPPER	
0400344	UA01-99-356	SNODO SOSPENSIONE - INFERIORE BALL JOINT - LOWER	

DESTRO
RIGHT

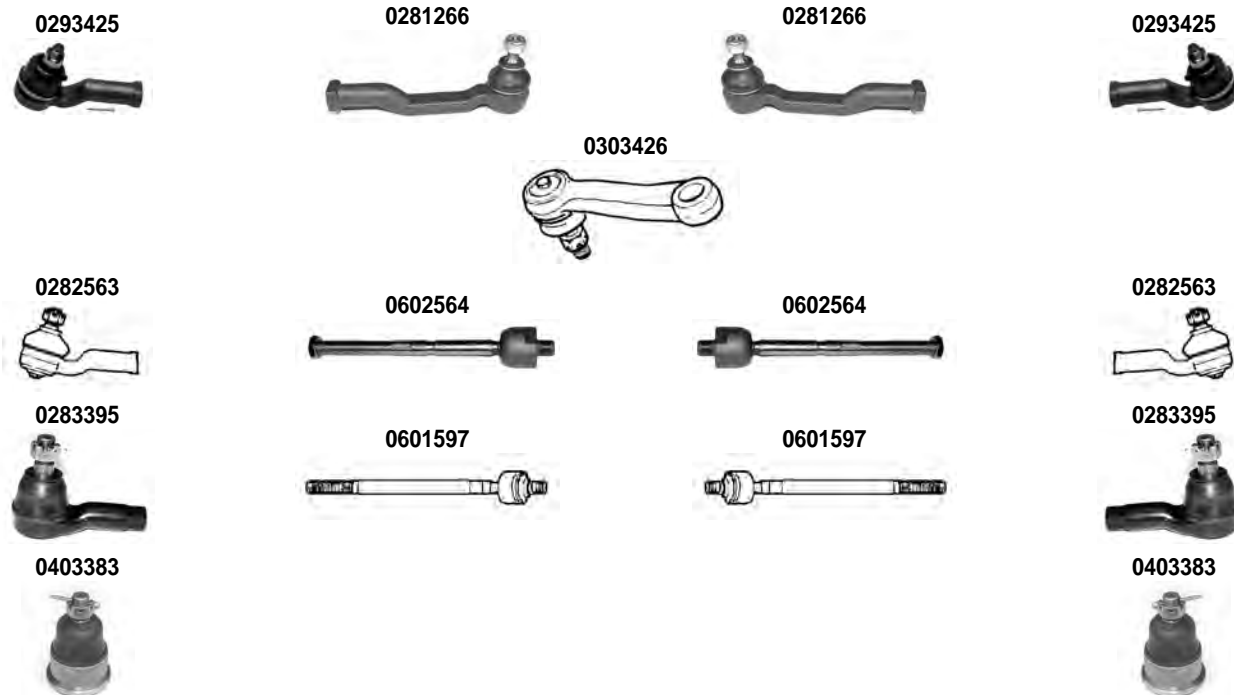
 SINISTRO
LEFT

RX7 I RX7 II RX7 III	SA FC FD	03/1978 > 03/1986 11/1985 > 12/1991 07/1992 > 2002
----------------------------	----------------	--

Asse Anteriore



Front Axle



i 1) SOLO PER - ONLY FOR: RX7 I 3) SOLO PER - ONLY FOR: RX7 III	2) SOLO PER - ONLY FOR: RX7 II
---	--------------------------------

OCAP	O.E.		i	
0281266	8531-99-322A	TESTA STERZO - INTERNA TIE ROD END - INNER	1)	RHT M14x1,5
0282563	8AF1-32-280	TESTA STERZO TIE ROD END	2)	
0283395	8AB2-32-280	TESTA STERZO TIE ROD END	3)	
0293425	8021-99-324	TESTA STERZO - ESTERNA TIE ROD END - OUTER	1)	LHT M14x1,5
0303426	8559-32-220	LEVA STERZO PITMAN ARM	1)	
0403383	8531-99-356	SNODO SOSPENSIONE - INFERIORE BALL JOINT - LOWER		
0601597	FD01-32-240	SNODO ASSIALE AXIAL JOINT	3)	
0602564	FB01-32-240A	SNODO ASSIALE AXIAL JOINT	2)	

DESTRO
RIGHT

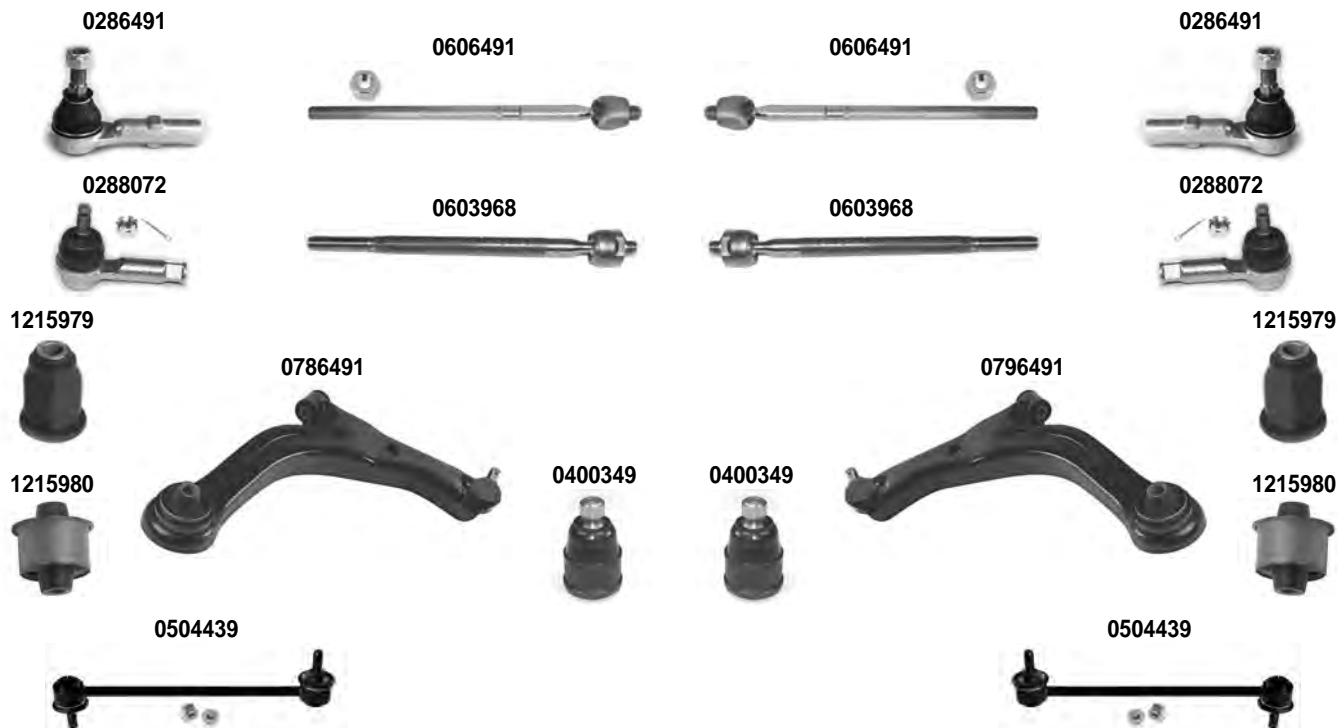


SINISTRO
LEFT

TRIBUTE	EP	2000 > 2008
---------	----	-------------

Asse Anteriore

Front Axle



i 1) VECCHIO MODELLO - OLD MODEL	2) NUOVO MODELLO - NEW MODEL
---	------------------------------

OCAP	O.E.		i	
0286491	E112-32-280	TESTA STERZO TIE ROD END	1)	RHT M14x1,5
0288072	EC01-32-280A	TESTA STERZO TIE ROD END	2)	RHT M 16x1,5
0400349	OG030-34-550B	SNODO SOSPENSIONE - INFERIORE BALL JOINT - LOWER		
0504439	EC01-34-150	STABILIZZATORE STABILIZER LINK		
0603968	EC01-32-240	SNODO ASSIALE AXIAL JOINT	2)	RHT M 16x1,5
0606491	E112-32-240	SNODO ASSIALE AXIAL JOINT	1)	RHT M14x1,5
0786491	EC01-34-300F	BRACCIO OSCILLANTE - INFERIORE TRACK CONTROL ARM - LOWER		
0796491	EC01-34-350F	BRACCIO OSCILLANTE - INFERIORE TRACK CONTROL ARM - LOWER		
1215979	-	SILENTBLOCK CENTRALE CENTRAL BUSHING		
1215980	-	SILENTBLOCK ESTREMO OUTER BUSHING		

DESTRO
RIGHT



SINISTRO
LEFT

XEDOS 6

CA

01/1992 > 1999

Asse Anteriore



Front Axle



Asse Posteriore



Rear Axle



OCAP	O.E.			
0281593	GA2A-32-280A	TESTA STERZO TIE ROD END		RHT M 14x1,5
0400349	OG030-34-550B	SNODO SOSPENSIONE BALL JOINT		
0503706	GA2C-28-170B	STABILIZZATORE STABILIZER LINK		
0583801	GA2A-34-150A	STABILIZZATORE STABILIZER LINK		
0593801	GA2A-34-170A	STABILIZZATORE STABILIZER LINK		
0604450	GA2A-32-250	SNODO ASSIALE AXIAL JOINT		RHT M 14x1,5
0782798	GD7A-34-300A	BRACCIO OSCILLANTE - INFERIORE TRACK CONTROL ARM - LOWER		
0792798	GD7A-34-350A	BRACCIO OSCILLANTE - INFERIORE TRACK CONTROL ARM - LOWER		

250 S > 300 SEL

DESTRO
RIGHT



SINISTRO
LEFT

250 S > 300 SEL 190 > 230 220 B > 3.5 SE	108 - 109 110 111	1968 > 1975 1961 > 1967 1965 > 1967
--	-------------------------	---

Asse Anteriore



Front Axle

0502164



0502165



0502161



0502161



0180282



0190282



0190282



0180282



i 1) MOD. 300 SEB

OCAP	O.E.		i	
0180282	0003385210	TESTA STERZO ESTERNA TIE ROD END OUTER		RHT M14x1,5
0190282	0003385010	TESTA STERZO INTERNA TIE ROD END INNER		LHT M14x1,5
0502161	1073300103	BARRA STERZO TIE ROD		
0502164	1104600205	BARRA STERZO TIE ROD		
0502165	1094600205	BARRA STERZO TIE ROD	1)	

DESTRO
RIGHT

 SINISTRO
LEFT

230 SL > 280 SL

113

1968 > 1971

Asse Anteriore



Front Axle

0502164



0502165



0502161



0502161



0180282



0190282



0190282



0180282


i 1) MOD. 300 SEB

OCAP	O.E.			
0180282	0003385210	TESTA STERZO - ESTERNA TIE ROD END OUTER		RHT M14x1,5
0190282	0003385010	TESTA STERZO - INTERNA TIE ROD END INNER		LHT M14x1,5
0502161	1073300103	BARRA STERZO TIE ROD		
0502164	1104600205	BARRA STERZO TIE ROD		
0502165	1094600205	BARRA STERZO TIE ROD	1)	

DESTRO
RIGHT



SINISTRO
LEFT

230.6 > 280 CE
200 D > 230.4

114
115

1968 >
1968 >

Asse Anteriore



Front Axle

0502166



0502161

0502161



0180282

0190282

0190282

0180282



0402167

0780670

0790670

0402167



0402162

0402162



i 1) PRIMO IMPIANTO - EARLY 2) RICAMBIO - LATE

OCAP	O.E.		i	
0180282	0003385210	TESTA STERZO - ESTERNA TIE ROD END OUTER		
0190282	0003385010	TESTA STERZO TIE ROD END		LHT M14x1,5
0402162	1153330827	SNODO SOSPENSIONE - SUPERIORE SUSPENSION JOINT - UPPER	2)	M 12x1,5 - 74 mm.
0402167	1153330527	SNODO SOSPENSIONE - SUPERIORE SUSPENSION JOINT - UPPER	1)	M 12x1,5 - 60 mm.
0502161	1073300103	BARRA STERZO TIE ROD		
0502166	0004600005	BARRA STERZO TIE ROD		
0780670	1153303907	BRACCIO OSCILLANTE COMPLETO - SUPERIORE COMPLETE TRACK CONTROL ARM - UPPER		
0790670	1153303807	BRACCIO OSCILLANTE COMPLETO - SUPERIORE COMPLETE TRACK CONTROL ARM - UPPER		

DESTRO
RIGHT

 SINISTRO
LEFT

 230.6 > 280 CE
200 D > 230.4

 114
115

 1968 >
1968 >

Asse Anteriore



Front Axle

0402163



0402163



0500716





0500716



0901288



OCAP	O.E.		
0402163	1153331127	SNODO SOSPENSIONE - INFERIORE SUSPENSION JOINT - LOWER	M 14x1,5
0500716	1153201589	STABILIZZATORE STABILIZER LINK	
0901288	1264600819	KIT RINVIO STERZO RETURN STEERING KIT	

DESTRO
RIGHT



SINISTRO
LEFT

200 > 300

123

1976 > 1985

Asse Anteriore



Front Axle

0500711



0500461



0190712



0500188



0180713



0180713



0500188



0190712



0182170



0501119



0190282



0190282



0501119



0182170



0901288



i	1) L H D	2) R H D
	3) > 1981	4) 1982 >

OCAP	O.E.		i	
0180713	1233380110	TESTA STERZO - INTERNA TIE ROD END INNER	3)	RHT M16x1,5
0182170	0003385110	TESTA STERZO - ESTERNA TIE ROD END OUTER	4)	RHT M14x1,5
0190282	0003385010	TESTA STERZO - INTERNA TIE ROD END INNER	4)	LHT M14x1,5
0190712	1233380210	TESTA STERZO - ESTERNA TIE ROD END OUTER	3)	LHT M16x1,5
0500188	1233300703	BARRA STERZO TIE ROD	3)	
0500461	1234601605	BARRA STERZO TIE ROD	2)	
0500711	1234601505	BARRA STERZO TIE ROD	1)	
0501119	1233301803	BARRA STERZO TIE ROD	4)	
0901288	1264600819	KIT RINVIO STERZO RETURN STEERING KIT		

DESTRO
RIGHT

 SINISTRO
LEFT

200 > 300

123

1976 > 1985

Asse Anteriore



Front Axle

1215122



0380130



1215001



1215001



0390130



1215122



0400715



0400717-K



0400717-K



0400715



0901731



0900130



0901732



0900131


i 5) N. 2 x RIF. 1233301375

6) N. 2 x RIF. 1165860133

OCAP	O.E.		i	
0380130	1233304707	BRACCIO OSCILLANTE - INFERIORE - ALLUMINIO TRACK CONTROL ARM LOWER - ALUMINIUM		
0390130	1233304607	BRACCIO OSCILLANTE - INFERIORE - ALLUMINIO TRACK CONTROL ARM LOWER - ALUMINIUM		
0400715	1163330927	SNODO SOSPENSIONE - INFERIORE BALL JOINT - LOWER		M 14x1,5
0900130	1165860133	KIT RIPARAZIONE BRACCIO OSCILLANTE REPAIRING KIT CONTROL ARM		
0900131	1165860133 *	KIT RIPARAZIONE BRACCIO OSCILLANTE REPAIRING KIT CONTROL ARM	6)	
0901731	1233301375	KIT RIPARAZIONE BRACCIO OSCILLANTE REPAIRING KIT CONTROL ARM		
0901732	1233301375 *	KIT RIPARAZIONE BRACCIO OSCILLANTE REPAIRING KIT CONTROL ARM	5)	
1215001	1163336314	SILENTBLOCK ESTREMO OUTER BUSHING		
1215122	1163334014	SILENTBLOCK CENTRALE CENTRAL BUSHING		
0400717-K	1233301335	SUPPORTO SOSPENSIONE COMPLETO COMPLETE SUPPORT JOINT		

DESTRO
RIGHT



SINISTRO
LEFT

200 > 300

123

1976 > 1985

Asse Anteriore



Front Axle

0500716



0500671



0500671



0500716



1215427



0901285



1214201



Asse Posteriore

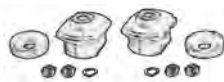


Rear Axle

0901295



0901287



0901287



0901295



OCAP	O.E.			
0500671	1233200989	STABILIZZATORE IN RESINA STABILIZER LINK - RESIN VERSION		
0500716	1153201589	STABILIZZATORE STABILIZER LINK		
0901285	1233301475	KIT BARRA STABILIZZATRICE STABILIZING BAR KIT		
0901287	1235860435	KIT TRAVERSA PONTE - I SERIE CROSS ROD KIT - I SERIES		
0901295	1233500175	KIT TRAVERSA PONTE - II SERIE CROSS ROD KIT - II SERIES		
1214201	1233230585	SILENTBLOCK BARRA STABILIZZATRICE STABILIZING BAR BUSHING		DIAM. 21 mm.
1215427	1233231285	BOCCOLA BARRA STABILIZZATRICE RUBBER RING STABILIZING BAR		DIAM. 24 mm.

DESTRO
RIGHT



SINISTRO
LEFT

A CLASS (A 140 > A 210)

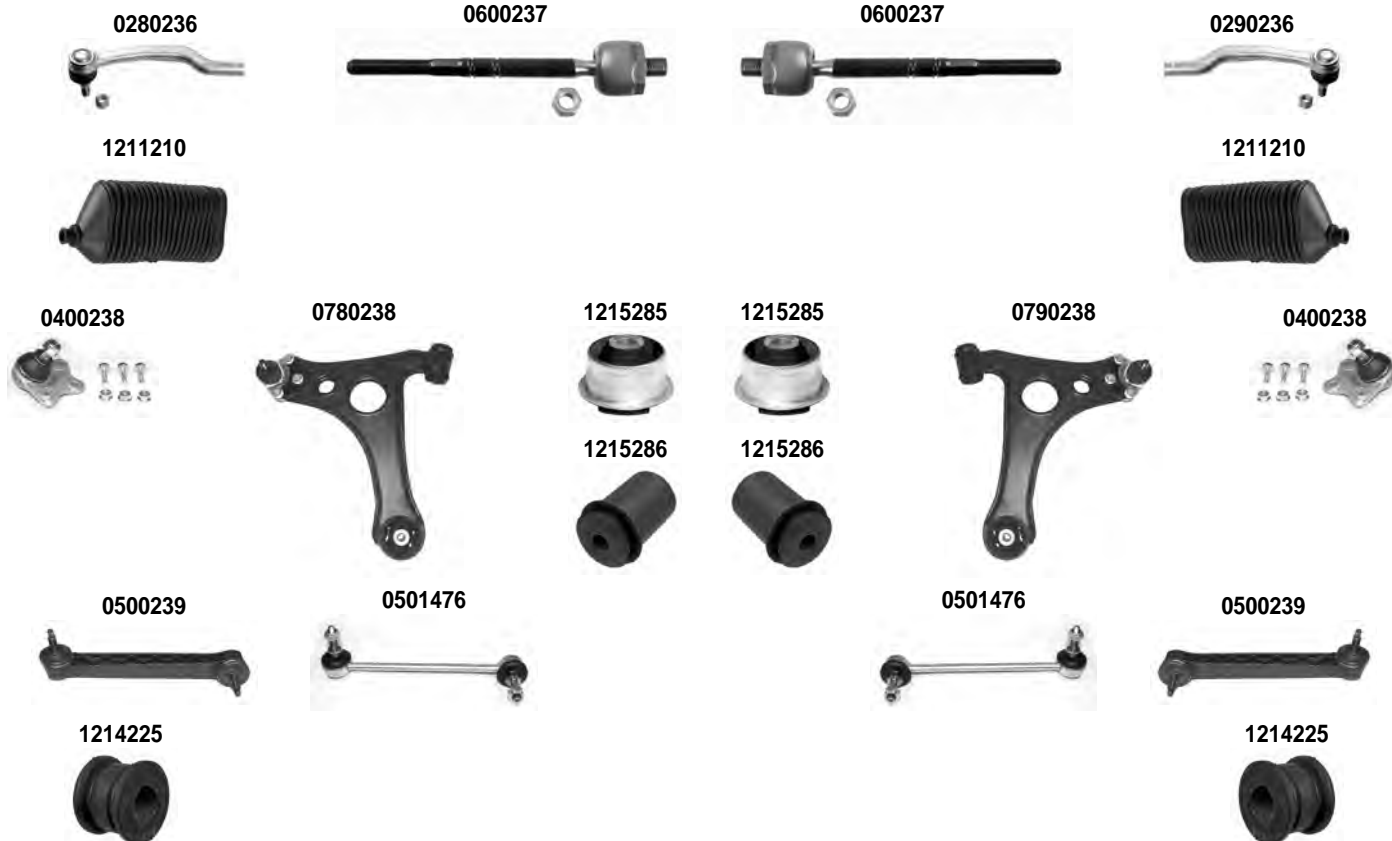
168

1997 > 2004

Asse Anteriore



Front Axle



i 1) VECCHIA VERSIONE IN RESINA - OLD RESIN VERSION 2) NUOVA VERSIONE IN ACCIAIO - NEW STEEL VERSION

OCAP	O.E.		
0280236	1683301235	TESTA STERZO TIE ROD END	RHT M12x1,5
0290236	1683301135	TESTA STERZO TIE ROD END	RHT M12x1,5
0400238	1683330127	SNODO SOSPENSIONE - ALLUMINIO SUSPENSION JOINT - ALUMINIUM	
0500239	1683201089	STABILIZZATORE STABILIZER LINK	1)
0501476	1683201189	STABILIZZATORE STABILIZER LINK	2)
0600237	1683301335	SNODO ASSIALE AXIAL JOINT	RHT M12x1,5
0780238	1683300907	BRACCIO OSCILLANTE TRACK CONTROL ARM	
0790238	1683300807	BRACCIO OSCILLANTE TRACK CONTROL ARM	
1211210	1684630196	CUFFIA STERZO STEERING GAITER	
1214225	1683230385	SILENTBLOCK BARRA STABILIZZATRICE ANTERIORE STABILIZING BAR BUSHING	DIAM. 20 mm.
1215285	1683330214	SILENTBLOCK ESTREMO OUTER BUSHING	
1215286	1683330714	SILENTBLOCK CENTRALE CENTRAL BUSHING	

A CLASS (A 140 > A 210)

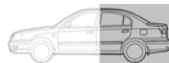
DESTRO
RIGHT



SINISTRO
LEFT

A CLASS (A 140 > A 210)	168	1997 > 2004
-------------------------	-----	-------------

Asse Posteriore



Rear Axle

0902333



0902596



0902598



1216188



1216189



1216188



1216189



OCAP	O.E.			
0902333	1689810518	KIT RIPARAZIONE BRACCIO SOSPENSIONE <i>REPAIRING KIT CONTROL ARM</i>		
0902596	1683501308	KIT RIPARAZIONE SOSPENSIONE - ANTERIORE <i>REPAIRING KIT SUSPENSION - FRONT</i>		
0902598	1683501408	KIT RIPARAZIONE SOSPENSIONE - POSTERIORE <i>REPAIRING KIT SUSPENSION - REAR</i>		
1216188	1683511142	SILENTBLOCK <i>BUSHING</i>		
1216189	1683510142	SILENTBLOCK <i>BUSHING</i>		

DESTRO
RIGHT

 SINISTRO
LEFT

A CLASS
B CLASS

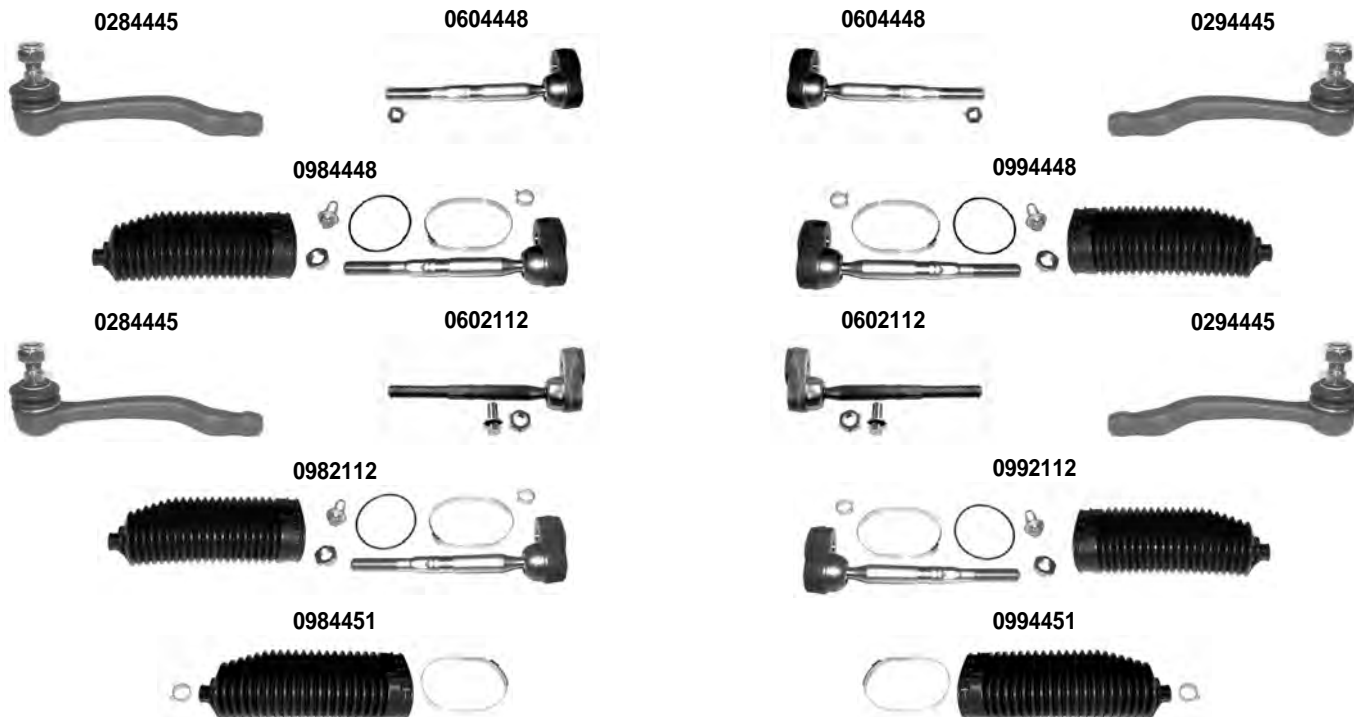
 169
245

 09/2004 > 2012
03/2005 > 2011

Asse Anteriore



Front Axle



i 1) SOLO PER - ONLY FOR : MOD. W169 -> CH. J126739 -> 31/03/05
 2) MOD. W169 - CH. J126740 > - 31/03/05 > - MOD. W245
 TUTTE - MOD. W169 - CH. J126740 > - 31/03/05 > - ALL
 MOD. W245

OCAP	O.E.		i	
0284445	1693300603	TESTA STERZO TIE ROD END		RHT M14x1,5
0294445	1693300503	TESTA STERZO TIE ROD END		RHT M14x1,5
0602112	1693300803 *	SNODO ASSIALE AXIAL JOINT	2)	
0604448	1693300703 *	SNODO ASSIALE AXIAL JOINT	1)	
0982112	1693300803	KIT SNODO ASSIALE AXIAL JOINT KIT	2)	
0984448	1693300703	KIT SNODO ASSIALE AXIAL JOINT KIT	1)	
0984451	1694600396	KIT CUFFIA STERZO STEERING GAITER KIT		
0992112	1693300903	KIT SNODO ASSIALE AXIAL JOINT KIT	2)	
0994448	1693300403	KIT SNODO ASSIALE AXIAL JOINT KIT	1)	
0994451	1694600196	KIT CUFFIA STERZO STEERING GAITER KIT		

DESTRO
RIGHT



SINISTRO
LEFT

A CLASS B CLASS	169 245	09/2004 > 2012 03/2005 > 2011
--------------------	------------	----------------------------------

Asse Anteriore



Front Axle



OCAP	O.E.			
0404449	1693330127	SNODO SOSPENSIONE CON KIT BALL JOINT WITH KIT		
0504464	1693200989	STABILIZZATORE STABILIZER LINK		
0784449	1693300607	BRACCIO OSCILLANTE TRACK CONTROL ARM		
0794449	1693300507	BRACCIO OSCILLANTE TRACK CONTROL ARM		
1215727	1693300607 *	SILENTBLOCK BUSHING		
1215728	1693300507 *	SILENTBLOCK BUSHING		

DESTRO
RIGHT

 SINISTRO
LEFT

A CLASS
B CLASS

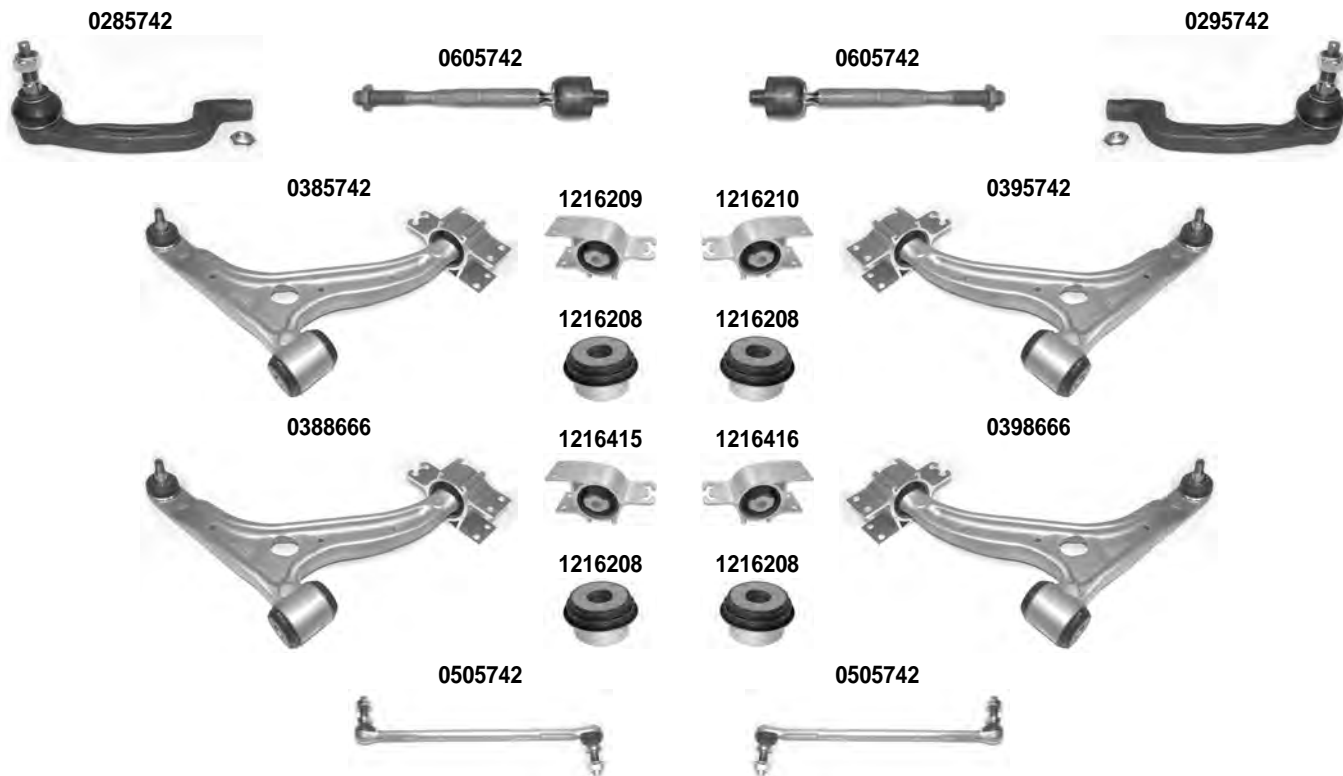
 176
246

 06/2012 > 2018
11/2011 > 2018

Asse Anteriore



Front Axle



i 1) ECCETTO MOD. AMMORTIZZATORI REG. ELETTRICAMENTE - EXCEPT ELECTRICALLY REG. SHOCK ABSORBERS MODELS	2) MOD. AMMORTIZZATORI REG. ELETTRICAMENTE - EXCEPT ELECTRICALLY REG. SHOCK ABSORBERS MODELS
---	--

OCAP	O.E.		i	
0285742	2463301800	TESTA STERZO TIE ROD END		RHT M14x1,5
0295742	2463301700	TESTA STERZO TIE ROD END		RHT M14x1,5
0385742	2463304800	BRACCIO OSCILLANTE - INFERIORE - ALLUMINIO TRACK CONTROL ARM - LOWER - ALUMINIUM	1)	
0388666	1563300200	BRACCIO OSCILLANTE - INFERIORE - ALLUMINIO TRACK CONTROL ARM - LOWER - ALUMINIUM	2)	
0395742	2463304700	BRACCIO OSCILLANTE - INFERIORE - ALLUMINIO TRACK CONTROL ARM - LOWER - ALUMINIUM	1)	
0398666	1563300100	BRACCIO OSCILLANTE - INFERIORE - ALLUMINIO TRACK CONTROL ARM - LOWER - ALUMINIUM	2)	
0505742	2463200089	STABILIZZATORE STABILIZER LINK		
0605742	2463380000	SNODO ASSIALE AXIAL JOINT		RHT M14x1,5
1216208	2463330114	SILENTBLOCK CENTRALE CENTRAL BUSHING		
1216209	2463330200	SILENTBLOCK ESTREMO OUTER BUSHING	1)	
1216210	2463330100	SILENTBLOCK ESTREMO OUTER BUSHING	1)	
1216415	2463330614	SILENTBLOCK ESTREMO OUTER BUSHING	2)	
1216416	2463330514	SILENTBLOCK ESTREMO OUTER BUSHING	2)	

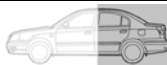
DESTRO
RIGHT



SINISTRO
LEFT

A CLASS	176	06/2012 > 2018
B CLASS	246	11/2011 > 2018

Asse Posteriore



Rear Axle



i 3) ECCElTO - EXCEPT: MOD. SPORT

OCAP	O.E.		i	
0505743	2463200489	STABILIZZATORE STABILIZER LINK	3)	
0705742	2463500053	BRACCIO OSCILLANTE - INFERIORE TRACK CONTROL ARM - LOWER		
0705743	2463501006	BRACCIO OSCILLANTE - SUPERIORE TRACK CONTROL ARM - UPPER		
1216211	2463520265	SILENTBLOCK BUSHING		
1216212	2463520165	SILENTBLOCK BUSHING		

DESTRO
RIGHT

 SINISTRO
LEFT

190 (E 1.8 - E 2.6)

201

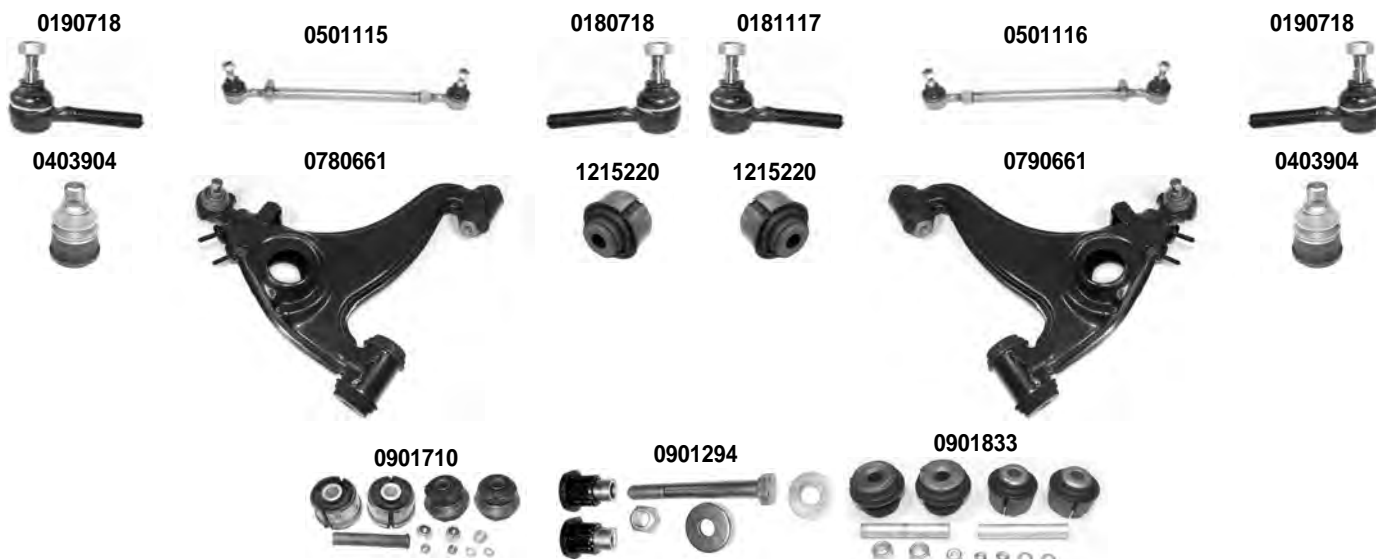
1983 >

Asse Anteriore



Front Axle

0500719



i 1) TUTTI I MOD. ECCETTO - ALL MODELS EXCEPT: CH. SPORT - 190E 2.3/2.5/2.6/ 2.5D TURBO
 2) > A 675431 - F 920107
 3) A 675432 - F 920108 >

OCAP	O.E.		i	
0180718	0003386110	TESTA STERZO - INTERNA TIE ROD END INNER		RHT M12x1,5
0181117	0003386310	TESTA STERZO - INTERNA TIE ROD END INNER		RHT M 12x1,5
0190718	0003386010	TESTA STERZO - ESTERNA TIE ROD END OUTER		LHT M12x1,5
0403904	1243330327	SNODO SOSPENSIONE INFERIORE SUSPENSION JOINT - LOWER		
0500719	2014601505	BARRA STERZO TIE ROD		
0501115	2013301503	BARRA STERZO - LHD LATO DX - RHD LATO SX TIE ROD - LHD RIGHT SIDE - RHD LEFT SIDE		
0501116	2013301603	BARRA STERZO - RHD LATO DX - LHD LATO SX TIE ROD - LHD RIGHT SIDE - RHD LEFT SIDE		
0780661	1243303907	BRACCIO OSCILLANTE TRACK CONTROL ARM	1)	
0790661	1243303807	BRACCIO OSCILLANTE TRACK CONTROL ARM	1)	
0901294	2014600050	KIT RIPARAZIONE RINVIO STERZO RETURN STEERING REPAIRING KIT		
0901710	2013300075	KIT RIPARAZIONE BRACCIO OSCILLANTE REPAIRING KIT CONTROL ARM	2)	
0901833	2013300275	KIT RIPARAZIONE BRACCIO OSCILLANTE REPAIRING KIT CONTROL ARM	3)	
1215220	2013334514	SILENTBLOCK BUSHING		

190 (E 1.8 - E 2.6)

DESTRO
RIGHT



SINISTRO
LEFT

190 (E 1.8 - E 2.6)

201

1983 >

Asse Anteriore



Front Axle

0403904



0780227



1215545



1215545



0790227



0403904



1215544



1215544



0901834



0403904



0781733



1215547



1215547



0791733



0403904



1215548



1215548



0901728



i 3) A 675432 - F 920108 >
5) SOLO PER - ONLY FOR : CH. SPORT - ECCEP TO MOD.
190 E 2.3 16V/ 2.5 16V/ EVOLUZIONE - EXCEPT MOD. 190
E 2.3 16V/2.5 16V/ EVOLUZIONE

4) ESCLUSO CH. SPORT - MOD. 190 E 2.3/2.6 - 2.5D TURBO
- EXCEPT CH. SPORT - MOD. 190 E 2.3/2.6 - 2.5D TURBO

OCAP	O.E.		i	
0403904	1243330327	SNODO SOSPENSIONE INFERIORE SUSPENSION JOINT - LOWER		
0780227	1243301907	BRACCIO OSCILLANTE TRACK CONTROL ARM	4)	
0781733	1243303107	BRACCIO OSCILLANTE TRACK CONTROL ARM	5)	
0790227	1243301807	BRACCIO OSCILLANTE TRACK CONTROL ARM	4)	
0791733	1243303007	BRACCIO OSCILLANTE TRACK CONTROL ARM	5)	
0901728	1243300575	KIT RIPARAZIONE BRACCIO OSCILLANTE REPAIRING KIT CONTROL ARM		
0901834	1243300775	KIT RIPARAZIONE BRACCIO OSCILLANTE REPAIRING KIT CONTROL ARM	3) 4)	
1215544	1243333714	SILENTBLOCK BUSHING		
1215545	1243333814	SILENTBLOCK BUSHING		
1215547	1243334214	SILENTBLOCK BUSHING		
1215548	1243334314	SILENTBLOCK BUSHING		

DESTRO
RIGHT

 SINISTRO
LEFT

190 (E 1.8 - E 2.6)

201

1983 >

Asse Anteriore



Front Axle

0403904



0780228



1215546



1215546



0790228



0403904



1215546



1215546



0901828



1215372



1215412



1215426



1215371



1214200



1214203



1214209



1214211



Asse Posteriore



Rear Axle

0500721-K



0500721-K


i 6) SOLO PER - ONLY FOR : MOD. 190 E 2.3 16V/2.5 16V EVOLUZIONE - MOD. 190 E 2.3 16V/2.5 16V EVOLUTION

OCAP	O.E.		i	
0403904	1243330327	SNODO SOSPENSIONE INFERIORE SUSPENSION JOINT - LOWER		
0780228	2013304107	BRACCIO OSCILLANTE TRACK CONTROL ARM	6)	
0790228	2013304007	BRACCIO OSCILLANTE TRACK CONTROL ARM	6)	
0901828	2013300175	KIT RIPARAZIONE BRACCIO OSCILLANTE REPAIRING KIT CONTROL ARM		
1214200	1243233785	SILENTBLOCK BARRA STABILIZZATRICE STABILIZING BAR BUSHING		DIAM. 24 mm.
1214203	1243234985	SILENTBLOCK BARRA STABILIZZATRICE STABILIZING BAR BUSHING		DIAM. 18 mm.
1214209	2013234985	SILENTBLOCK BARRA STABILIZZATRICE STABILIZING BAR BUSHING		DIAM. 23 mm.
1214211	1243235085	SILENTBLOCK BARRA STABILIZZATRICE STABILIZING BAR BUSHING		DIAM. 22,5 mm.
1215371	2013261081	BOCCOLA CENTRALE BARRA STABILIZZATRICE CENTRAL STABILIZING BAR BUSHING		
1215372	1243231785	BOCCOLA LATERALE BARRA STABILIZZATRICE LATERAL STABILIZING BAR BUSHING		DIAM. 24 mm.
1215412	2013234885	BOCCOLA LATERALE BARRA STABILIZZATRICE LATERAL STABILIZING BAR BUSHING		DIAM. 22 mm.
1215426	1243232385	BOCCOLA LATERALE BARRA STABILIZZATRICE LATERAL STABILIZING BAR BUSHING		DIAM. 18,5 mm.
1215546	2013335214	SILENTBLOCK BUSHING		
0500721-K	2103501853 *	BARRA SOSPENSIONI CON KIT SUSPENSION BAR WITH KIT		

190 (E 1.8 - E 2.6)

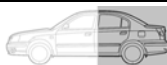
DESTRO
RIGHT



SINISTRO
LEFT

190 (E 1.8 - E 2.6)	201	1983 >
---------------------	-----	--------

Asse Posteriore



Rear Axle



i 9) > 09/1988	10) 09/1988 >
-----------------------	---------------

OCAP	O.E.		i	
0404800	2303520027	GIUNTO SOSPENSIONE SUSPENSION JOINT		
0500721	2103501853	BARRA SOSPENSIONE SUSPENSION BAR		
0502150	2103503406	BRACCIO SOSPENSIONE SUSPENSION ARM		
0502152	2103503806	BRACCIO SOSPENSIONE SUSPENSION ARM		
0502153	2103503306	BRACCIO SOSPENSIONE TRACK ROD		
0503905	1243200289	STABILIZZATORE STABILIZER LINK		
0900721	1403501170	KIT BRACCIO SUSPENSION ARM KIT		
1214194	2013261481	SILENTBLOCK BARRA STABILIZZATRICE STABILIZING BAR BUSHING		DIAM. 14 mm.
1215052	2013528865	SILENTBLOCK BUSHING		
1215089	2103503306 *	SILENTBLOCK BUSHING		13 mm.
1215201	1243529065	SILENTBLOCK BUSHING		12 mm.
1215202	1243528665	SILENTBLOCK BUSHING		12 mm.
1215431	2013512742	SILENTBLOCK TRAVERSA SOSPENSIONE CROSS ROD SUSPENSION BUSHING	9)	H = 57 mm.
1215432	2013512842	SILENTBLOCK TRAVERSA SOSPENSIONE CROSS ROD SUSPENSION BUSHING	10)	H = 69 mm.

DESTRO
RIGHT

 SINISTRO
LEFT

C CLASS (C 180 - C 280)

202

1992 >

Asse Anteriore



Front Axle



i 1) ECCETTO MOD. C 240 - C 280 - 43 AMG - EXCEPT MOD. 2) > CH A 443812 > CH F500865
 C 240 - C 280 - 43 AMG
 3) CH A 443813 > CH F500866 >

OCAP	O.E.		i	
0282025	0013307735	TESTA STERZO TIE ROD END		RHT M12x1,5
0402157	2103300035	SNODO OSPENSIONE INFERIORE SUSPENSION JOINT - LOWER		
0502026	2024600405	BARRA STERZO TIE ROD	1)	
0502156	2024600219	LEVA STERZO PITMAN ARM		
0782158	2023304207	BRACCIO OSCILLANTE - INFERIORE TRACK CONTROL ARM - LOWER		
0792158	2023304107	BRACCIO OSCILLANTE - INFERIORE TRACK CONTROL ARM - LOWER		
0901520	1703300075	KIT RIPARAZIONE BRACCIO OSCILLANTE REPAIRING KIT CONTROL ARM	3)	
0902103	2023300118	KIT RIPARAZIONE BRACCIO OSCILLANTE REPAIRING KIT CONTROL ARM		
0902156	2024600319	KIT BRACCIO STERZO KIT PITMAN ARM		
0902158	2023300075	KIT RIPARAZIONE BRACCIO OSCILLANTE REPAIRING KIT CONTROL ARM	2)	
1215237	2024600319 *	SILENTBLOCK BUSHING		
1215549	2023338714	SILENTBLOCK BUSHING		
1215550	2023336414	SILENTBLOCK BUSHING		

DESTRO
RIGHT



SINISTRO
LEFT

C CLASS (C 180 - C 280)

202

1992 >

Asse Anteriore



Front Axle



Asse Posteriore



Rear Axle



OCAP	O.E.			
0500721	2103501853	BARRA SOSPENSIONE SUSPENSION BAR		
0782172	2103308807	BRACCIO SOSPENSIONE SUPERIORE CONTROL ARM UPPER		
0792172	2103308707	BRACCIO SOSPENSIONE SUPERIORE CONTROL ARM UPPER		
0900721	1403501170	KIT BRACCIO SOSPENSIONE SUSPENSION ARM KIT		
1214203	1243234985	SILENTBLOCK BARRA STABILIZZATRICE STABILIZING BAR BUSHING		DIAM. 18 mm.
1214207	1243232485	SILENTBLOCK BARRA STABILIZZATRICE STABILIZING BAR BUSHING		DIAM. 27,5 mm.
1214210	1243235685	SILENTBLOCK BARRA STABILIZZATRICE STABILIZING BAR BUSHING		DIAM. 26,5 mm.
1214215	1243235485	SILENTBLOCK BARRA STABILIZZATRICE STABILIZING BAR BUSHING		DIAM. 24 mm.
1214216	2023230285	SILENTBLOCK BARRA STABILIZZATRICE STABILIZING BAR BUSHING		DIAM. 23 mm.
1214220	1293230185	SILENTBLOCK BARRA STABILIZZATRICE STABILIZING BAR BUSHING		DIAM. 30 mm.
1215052	2013528865	SILENTBLOCK BUSHING		
1215221	2103308807 *	SILENTBLOCK BRACCIO SOSPENSIONE CONTROL ARM BUSHING		
0500721-K	2103501853 *	BARRA SOSPENSIONI CON KIT SUSPENSION BAR WITH KIT		

DESTRO
RIGHT



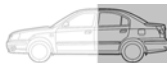
SINISTRO
LEFT

C CLASS (C 180 - C 280)

202

1992 >

Asse Posteriore



Rear Axle



OCAP	O.E.		
0404800	2303520027	GIUNTO SOSPENSIONE <i>SUSPENSION JOINT</i>	
0502150	2103503406	BRACCIO SOSPENSIONE <i>SUSPENSION ARM</i>	
0502152	2103503806	BRACCIO SOSPENSIONE <i>SUSPENSION ARM</i>	
0502153	2103503306	BRACCIO SOSPENSIONE <i>TRACK ROD</i>	
0503905	1243200289	STABILIZZATORE <i>STABILIZER LINK</i>	
1214227	1243260081	SILENTBLOCK BARRA <i>STABILIZING BAR BUSHING</i>	DIAM. 15 mm.
1215089	2103503306 *	SILENTBLOCK <i>BUSHING</i>	13 mm.
1215201	1243529065	SILENTBLOCK <i>BUSHING</i>	12 mm.
1215202	1243528665	SILENTBLOCK <i>BUSHING</i>	12 mm.
1215434	2023510842	BOCCOLA TRAVERSA SOSPENSIONE <i>RUBBER RING FOR CROSS ROD SUSPENSION</i>	

C CLASS (C 180 - C 280)

DESTRO
RIGHT

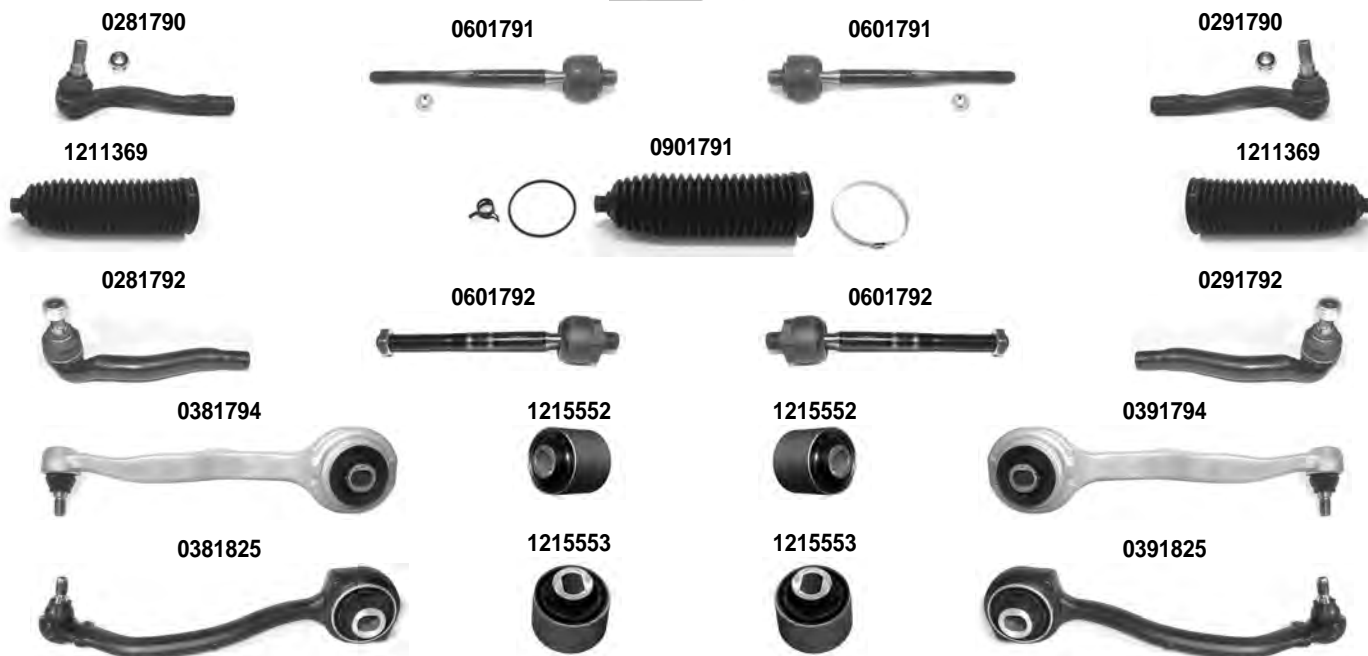


SINISTRO
LEFT

C CLASS C CLASS T-MODEL CLK CLASS	203 203 209	2000 > 2006 2001 > 2007 06/2002 > 2010
---	-------------------	--

Asse Anteriore

Front Axle



i 1) ECCEPPO 4-MATIC - EXCEPT 4-MATIC 3) VERSIONI SPORT - SPORT CHASSIS MODELS	2) 4-MATIC 4) ECCEPPO CLK - EXCEPT CLK
--	---

OCAP	O.E.		i	
0281790	2033504003	TESTA STERZO TIE ROD END	1)	RHT M14x1,5
0281792	2033303403	TESTA STERZO TIE ROD END	2) 4)	RHT M14x1,5
0291790	2033303903	TESTA STERZO TIE ROD END	1)	RHT M14x1,5
0291792	2033303303	TESTA STERZO TIE ROD END	2) 4)	RHT M14x1,5
0381794	2033303611	BRACCIO OSCILLANTE - SUPERIORE - ALLUMINIO TRACK CONTROL ARM - UPPER - ALUMINIUM		
0381825	2033303411	BRACCIO OSCILLANTE - INFERIORE LOWER TRACK CONTROL ARM		
0391794	2033303511	BRACCIO OSCILLANTE - SUPERIORE - ALLUMINIO TRACK CONTROL ARM - UPPER - ALUMINIUM		
0391825	2033303311	BRACCIO OSCILLANTE - INFERIORE LOWER TRACK CONTROL ARM		
0601791	2303380015	SNODO ASSIALE AXIAL JOINT	1)	RHT M14x1,5
0601792	2033380215	SNODO ASSIALE AXIAL JOINT	2) 4)	RHT M14x1,5
0901791	2034602300	KIT CUFFIA STERZO STEERING GAITER KIT	1)	
1211369	2034630396 *	CUFFIA STERZO STEERING GAITER	1)	
1215552	2043331014	SILENTBLOCK BUSHING		
1215553	2033330914	SILENTBLOCK BUSHING		

DESTRO
RIGHT



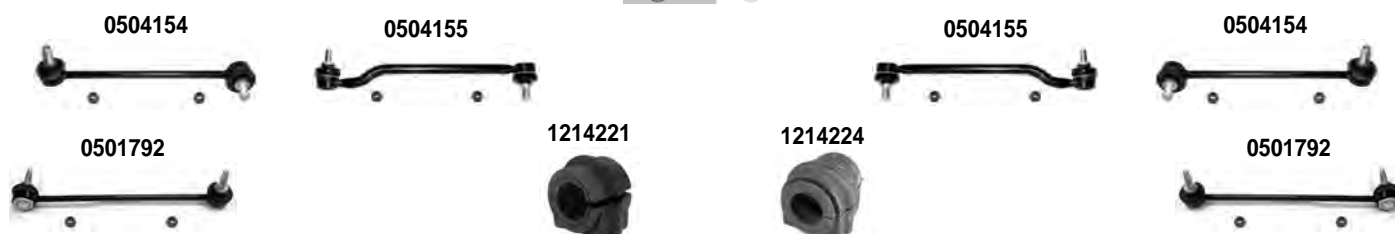
SINISTRO
LEFT

C CLASS C CLASS T-MODEL CLK CLASS	203 203 209	2000 > 2006 2001 > 2007 06/2002 > 2010
---	-------------------	--

Asse Anteriore



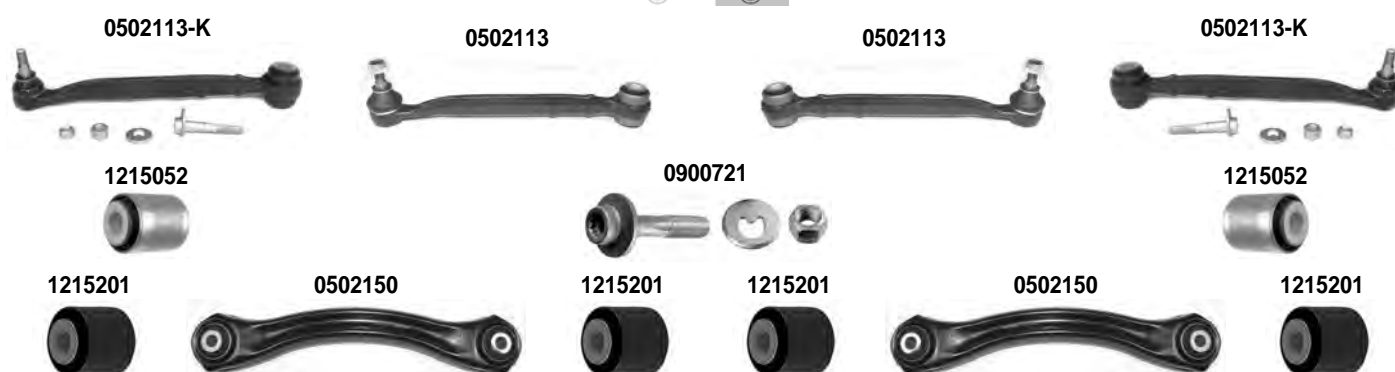
Front Axle



Asse Posteriore



Rear Axle



i 2) 4-MATIC	3) VERSIONI SPORT - SPORT CHASSIS MODELS
---------------------	--

OCAP	O.E.		i	
0501792	2033202889	STABILIZZATORE STABILIZER LINK		
0502113	2033500353	BARRA SOSPENSIONE SUSPENSION BAR		
0502150	2103503406	BRACCIO SOSPENSIONE SUSPENSION ARM		
0504154	2033202689	STABILIZZATORE STABILIZER LINK	3)	
0504155	2033201889	STABILIZZATORE STABILIZER LINK	2)	
0900721	1403501170	KIT BRACCIO SOSPENSIONE SUSPENSION ARM KIT		
1214221	2033232085	SILENTBLOCK BARRA STABILIZZATRICE STABILIZING BAR BUSHING		DIAM. 20 mm.
1214224	2033232185	SILENTBLOCK BARRA STABILIZZATRICE STABILIZING BAR BUSHING		DIAM. 21 mm.
1215052	2013528865	SILENTBLOCK BUSHING		
1215201	1243529065	SILENTBLOCK BUSHING		12 mm.
0502113-K	2033500753	BARRA SOSPENSIONI CON KIT SUSPENSION BAR WITH KIT		

DESTRO
RIGHT



SINISTRO
LEFT

C CLASS C CLASS T-MODEL CLK CLASS	203 203 209	2000 > 2006 2001 > 2007 06/2002 > 2010
---	-------------------	--

Asse Posteriore



Rear Axle



i 4) ECCETTO CLK - EXCEPT CLK	5) SOLO PER CLK - ONLY FOR : CLK
--------------------------------------	----------------------------------

OCAP	O.E.		i	
0404800	2303520027	GIUNTO SOSPENSIONE SUSPENSION JOINT		
0502152	2103503806	BRACCIO SOSPENSIONE SUSPENSION ARM		
0502153	2103503306	BRACCIO SOSPENSIONE TRACK ROD		
0581793	2033200889	STABILIZZATORE STABILIZER LINK		
0591793	2033200789	STABILIZZATORE STABILIZER LINK		
0902599	2033504308	KIT SOSPENSIONE - ANTERIORE SUSPENSION KIT - FRONT	4)	
0902611	2033504508	KIT SOSPENSIONE - POSTERIORE SUSPENSION KIT - REAR	4)	
1214202	2033261281	SILENTBLOCK BARRA STABILIZZATRICE STABILIZING BAR BUSHING	5)	DIAM. 18 mm.
1214229	2033260081	SILENTBLOCK BARRA STABILIZZATRICE STABILIZING BAR BUSHING		DIAM. 16 mm.
1214230	2033260181	SILENTBLOCK BARRA STABILIZZATRICE STABILIZING BAR BUSHING		DIAM. 15 mm.
1214231	2033260281	SILENTBLOCK BARRA STABILIZZATRICE STABILIZING BAR BUSHING		DIAM. 14 mm.
1214232	2033260381	SILENTBLOCK BARRA STABILIZZATRICE STABILIZING BAR BUSHING	4)	DIAM. 13.3 mm.
1214233	2033260881	SILENTBLOCK BARRA STABILIZZATRICE STABILIZING BAR BUSHING		DIAM. 17 mm.
1215089	2103503306 *	SILENTBLOCK BUSHING		13 mm.
1215201	1243529065	SILENTBLOCK BUSHING		12 mm.
1215202	1243528665	SILENTBLOCK BUSHING		12 mm.

DESTRO
RIGHT



SINISTRO
LEFT

C CLASS
C CLASS T-MODEL

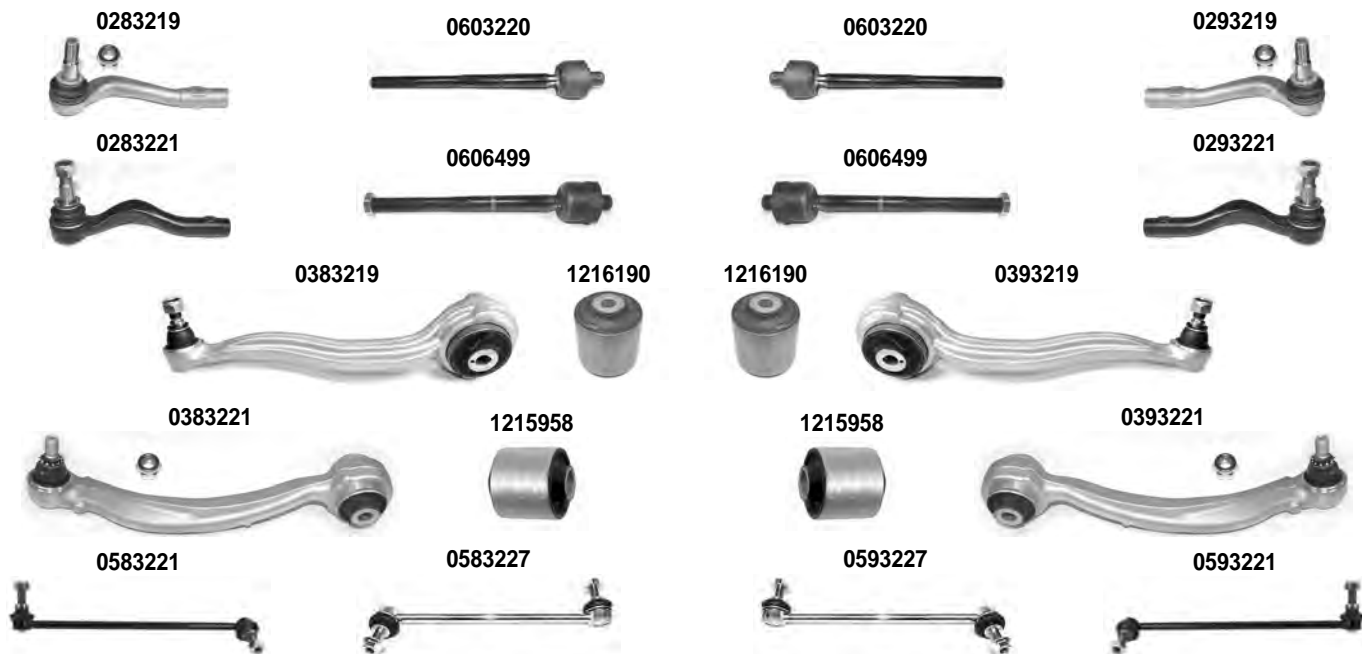
204
204

01/2007 > 2015
08/2007 > 2014

Asse Anteriore



Front Axle



i 1) ECCEPPO - EXCEPT: 4-MATIC 2) 4-MATIC

OCAP	O.E.		i	
0283219	2043301003	TESTA STERZO TIE ROD END	1)	RHT M14x1,5
0283221	2043303403	TESTA STERZO TIE ROD END	2)	RHT M14x1,5
0293219	2043300903	TESTA STERZO TIE ROD END	1)	RHT M14x1,5
0293221	2043303303	TESTA STERZO TIE ROD END	2)	RHT M14x1,5
0383219	2043304411	BRACCIO OSCILLANTE - SUPERIORE - ALLUMINIO TRACK CONTROL ARM - UPPER - ALUMINIUM	1)	
0383221	2043306811	BRACCIO OSCILLANTE - INFERIORE - ALLUMINIO TRACK CONTROL ARM - LOWER - ALUMINIUM	1)	
0393219	2043304311	BRACCIO OSCILLANTE - SUPERIORE - ALLUMINIO TRACK CONTROL ARM - UPPER - ALUMINIUM	1)	
0393221	2043306711	BRACCIO OSCILLANTE - INFERIORE - ALLUMINIO TRACK CONTROL ARM - LOWER - ALUMINIUM	1)	
0583221	2043203889	STABILIZZATORE STABILIZER LINK	1)	
0583227	2043202289	STABILIZZATORE STABILIZER LINK	2)	
0593221	2043203789	STABILIZZATORE STABILIZER LINK	1)	
0593227	2043200789	STABILIZZATORE STABILIZER LINK	2)	
0603220	2043380415	SNODO ASSIALE AXIAL JOINT	1)	RHT M14x1,5
0606499	2043380515	SNODO ASSIALE AXIAL JOINT	2)	RHT M14x1,5
1215958	2043330414	SILENTBLOCK BUSHING	1)	
1216190	2043331114	SILENTBLOCK BUSHING	1)	

DESTRO
RIGHT



SINISTRO
LEFT

C CLASS C CLASS T-MODEL	204 204	01/2007 > 2015 08/2007 > 2014
----------------------------	------------	----------------------------------

Asse Posteriore



Rear Axle



OCAP	O.E.			
0383225	2053506203	BRACCIO OSCILLANTE - SUPERIORE - ALLUMINIO CONTROL ARM - UPPER - ALUMINIUM		
0383226	2043502206	BRACCIO OSCILLANTE - SUPERIORE - ALLUMINIO CONTROL ARM - UPPER - ALUMINIUM		
0383227	2053506603	BRACCIO OSCILLANTE - INFERIORE - ALLUMINIO CONTROL ARM - LOWER - ALUMINIUM		
0393225	2053506103	BRACCIO OSCILLANTE - SUPERIORE - ALLUMINIO CONTROL ARM - UPPER - ALUMINIUM		
0393226	2043502106	BRACCIO OSCILLANTE - SUPERIORE - ALLUMINIO CONTROL ARM - UPPER - ALUMINIUM		
0393227	2053506503	BRACCIO OSCILLANTE - INFERIORE - ALLUMINIO CONTROL ARM - LOWER - ALUMINIUM		
0703228	2053506303	BRACCIO OSCILLANTE - INFERIORE CONTROL ARM - LOWER		
1215840	2043501606 *	SILENTBLOCK BUSHING		
1216049	2043501506 *	SILENTBLOCK BUSHING		
1216050	2043502206 *	SILENTBLOCK BUSHING		
1216051	2043502106 *	SILENTBLOCK BUSHING		
1216052	2043500653 *	SILENTBLOCK BUSHING		
1216053	2043500553 *	SILENTBLOCK BUSHING		
1216054	2043502706 *	SILENTBLOCK BUSHING		

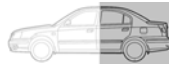
DESTRO
RIGHT



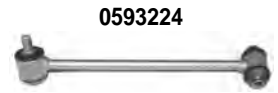
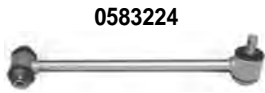
SINISTRO
LEFT

C CLASS C CLASS T-MODEL	204 204	01/2007 > 2015 08/2007 > 2014
----------------------------	------------	----------------------------------

Asse Posteriore



Rear Axle



OCAP	O.E.			
0583224	2043200489	STABILIZZATORE STABILIZER LINK		
0593224	2043200589	STABILIZZATORE STABILIZER LINK		
1216426	A2043510342	SUPPORTO ASSALE AXLE SUPPORT		

DESTRO
RIGHT



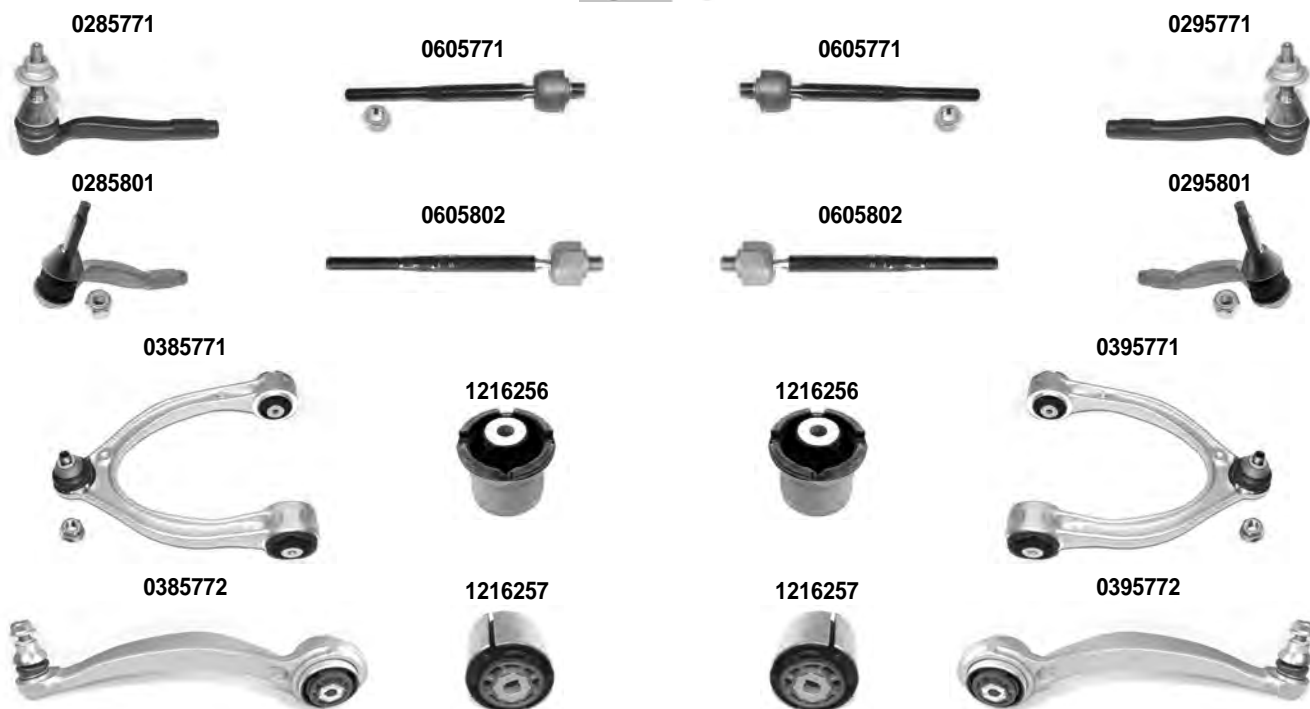
SINISTRO
LEFT

C CLASS C CLASS T-MODEL C CLASS COUPE' C CLASS CABRIOLET	205	12/2013 > 09/2014 > 10/2015 > 06/2016 >
---	-----	--

Asse Anteriore



Front Axle



i 1) ECCEETTO - EXCEPT 4-MATIC	2) SOLO PER - ONLY FOR: 4-MATIC
---------------------------------------	---------------------------------

OCAP	O.E.		i	
0285771	2054600705	TESTA STERZO TIE ROD END	1)	RHT M14x1,5
0285801	2054600105	TESTA STERZO TIE ROD END	2)	
0295771	2054600605	TESTA STERZO TIE ROD END	1)	RHT M14x1,5
0295801	2054600005	TESTA STERZO TIE ROD END	2)	
0385771	2053305601	BRACCIO OSCILLANTE - SUPERIORE - ALLUMINIO TRACK CONTROL ARM - UPPER - ALUMINIUM	1)	
0385772	2053301605	BRACCIO OSCILLANTE - INFERIORE - ALLUMINIO TRACK CONTROL ARM - LOWER - ALUMINIUM	1)	
0395771	2053305501	BRACCIO OSCILLANTE - SUPERIORE - ALLUMINIO TRACK CONTROL ARM - UPPER - ALUMINIUM	1)	
0395772	2053301505	BRACCIO OSCILLANTE - INFERIORE - ALLUMINIO TRACK CONTROL ARM - LOWER - ALUMINIUM	1)	
0605771	2054600805	SNODO ASSIALE AXIAL JOINT	1)	RHT M14x1,5
0605802	2054600405	SNODO ASSIALE AXIAL JOINT	2)	
1216256	2053305601 *	SILENTBLOCK BUSHING	1)	
1216257	2053301605 *	SILENTBLOCK BUSHING	1)	

DESTRO
RIGHT



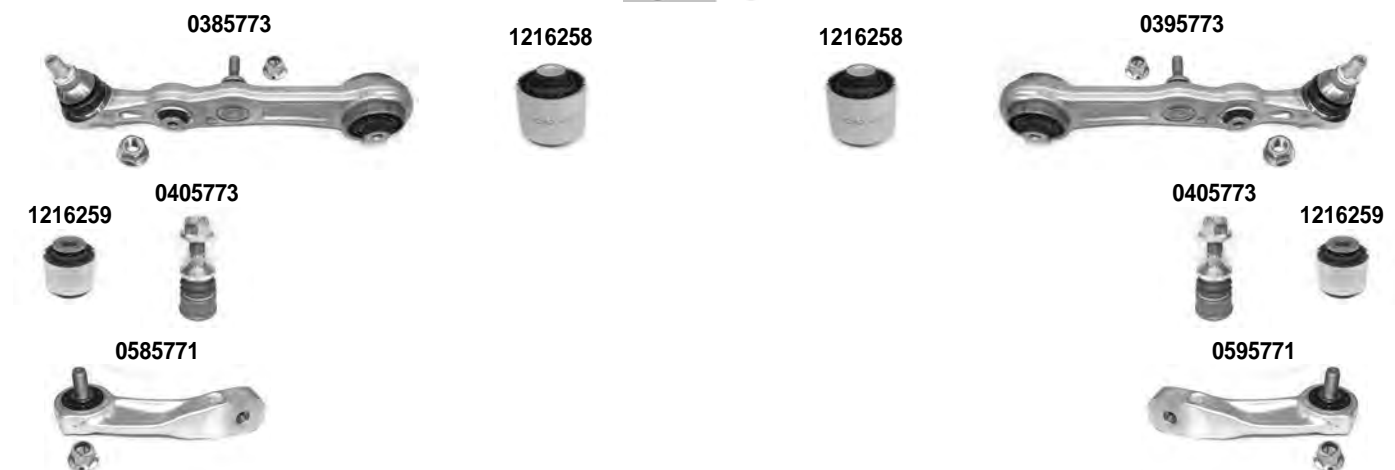
SINISTRO
LEFT

C CLASS C CLASS T-MODEL C CLASS COUPE' C CLASS CABRIOLET	205	12/2013 > 09/2014 > 10/2015 > 06/2016 >
---	-----	--

Asse Anteriore



Front Axle



i 1) ECCETTO - EXCEPT 4-MATIC 3) ECCETTO SOSPENSIONI PNEUMATICHE - EXCEPT AIR SUSPENSIONS	2) SOLO PER - ONLY FOR: 4-MATIC
---	---------------------------------

OCAP	O.E.		i	
0385773	2053306201	BRACCIO OSCILLANTE - INFERIORE - ALLUMINIO CONTROL ARM - LOWER - ALUMINIUM	1) 3)	
0395773	2053306101	BRACCIO OSCILLANTE - INFERIORE - ALLUMINIO CONTROL ARM - LOWER - ALUMINIUM	1) 3)	
0405773	2053306201 *	SNODO SOSPENSIONE CENTRALE BRACCIO INFERIORE CENTRAL BALL JOINT CONTROL ARM LOWER	1) 3)	
0585771	2053230817	STABILIZZATORE STABILIZER LINK	1) 3)	
0595771	2053230717	STABILIZZATORE STABILIZER LINK	1) 3)	
1216258	2313330314	SILENTBLOCK BUSHING	1) 3)	
1216259	2053306101 **	SILENTBLOCK BUSHING	1) 3)	

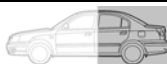
DESTRO
RIGHT



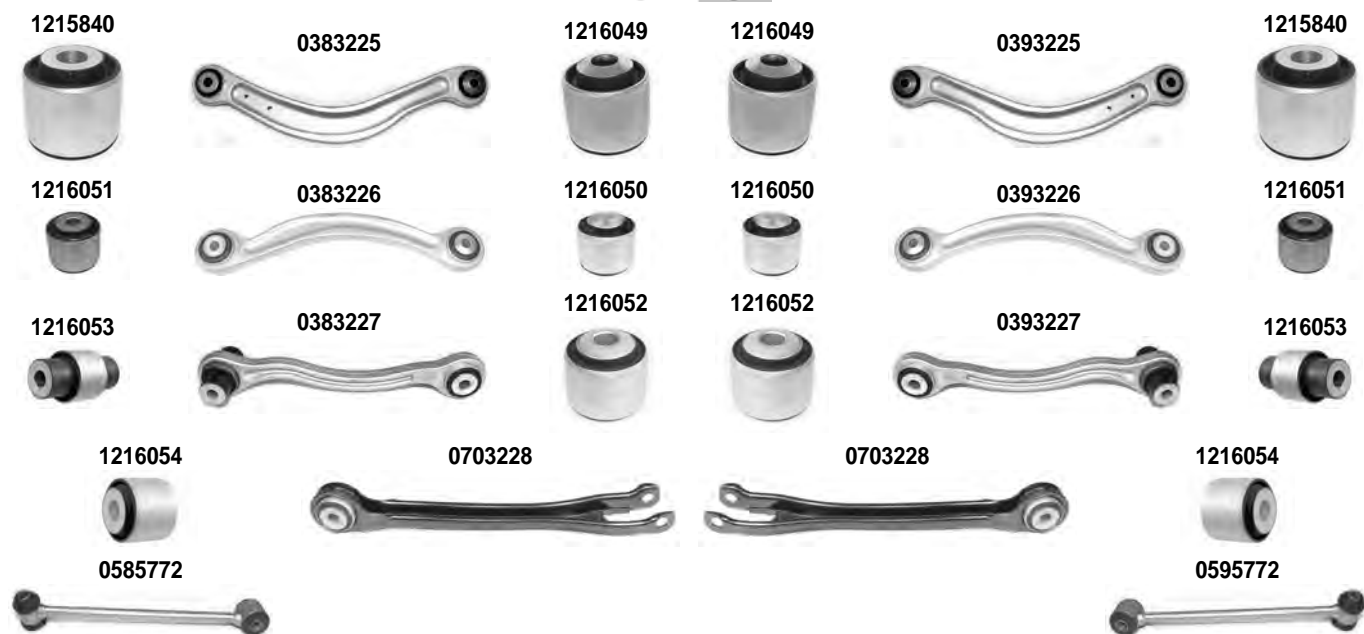
SINISTRO
LEFT

C CLASS C CLASS T-MODEL C CLASS COUPE' C CLASS CABRIOLET	205	12/2013 > 09/2014 > 10/2015 > 06/2016 >
---	-----	--

Asse Posteriore



Rear Axle



OCAP	O.E.		i	
0383225	2053506203	BRACCIO OSCILLANTE - SUPERIORE - ALLUMINIO CONTROL ARM - UPPER - ALUMINIUM		
0383226	2043502206	BRACCIO OSCILLANTE - SUPERIORE - ALLUMINIO CONTROL ARM - UPPER - ALUMINIUM		
0383227	2053506603	BRACCIO OSCILLANTE - INFERIORE - ALLUMINIO CONTROL ARM - LOWER - ALUMINIUM		
0393225	2053506103	BRACCIO OSCILLANTE - SUPERIORE - ALLUMINIO CONTROL ARM - UPPER - ALUMINIUM		
0393226	2043502106	BRACCIO OSCILLANTE - SUPERIORE - ALLUMINIO CONTROL ARM - UPPER - ALUMINIUM		
0393227	2053506503	BRACCIO OSCILLANTE - INFERIORE - ALLUMINIO CONTROL ARM - LOWER - ALUMINIUM		
0585772	2053260417	STABILIZZATORE STABILIZER LINK		
0595772	2043260317	STABILIZZATORE STABILIZER LINK		
0703228	2053506303	BRACCIO OSCILLANTE - INFERIORE CONTROL ARM - LOWER		
1215840	2043501606 *	SILENTBLOCK BUSHING		
1216049	2043501506 *	SILENTBLOCK BUSHING		
1216050	2043502206 *	SILENTBLOCK BUSHING		
1216051	2043502106 *	SILENTBLOCK BUSHING		
1216052	2043500653 *	SILENTBLOCK BUSHING		
1216053	2043500553 *	SILENTBLOCK BUSHING		
1216054	2043502706 *	SILENTBLOCK BUSHING		

DESTRO
RIGHT



SINISTRO
LEFT

CLA CLASS
CLA SHOOTING BRAKE
GLA CLASS

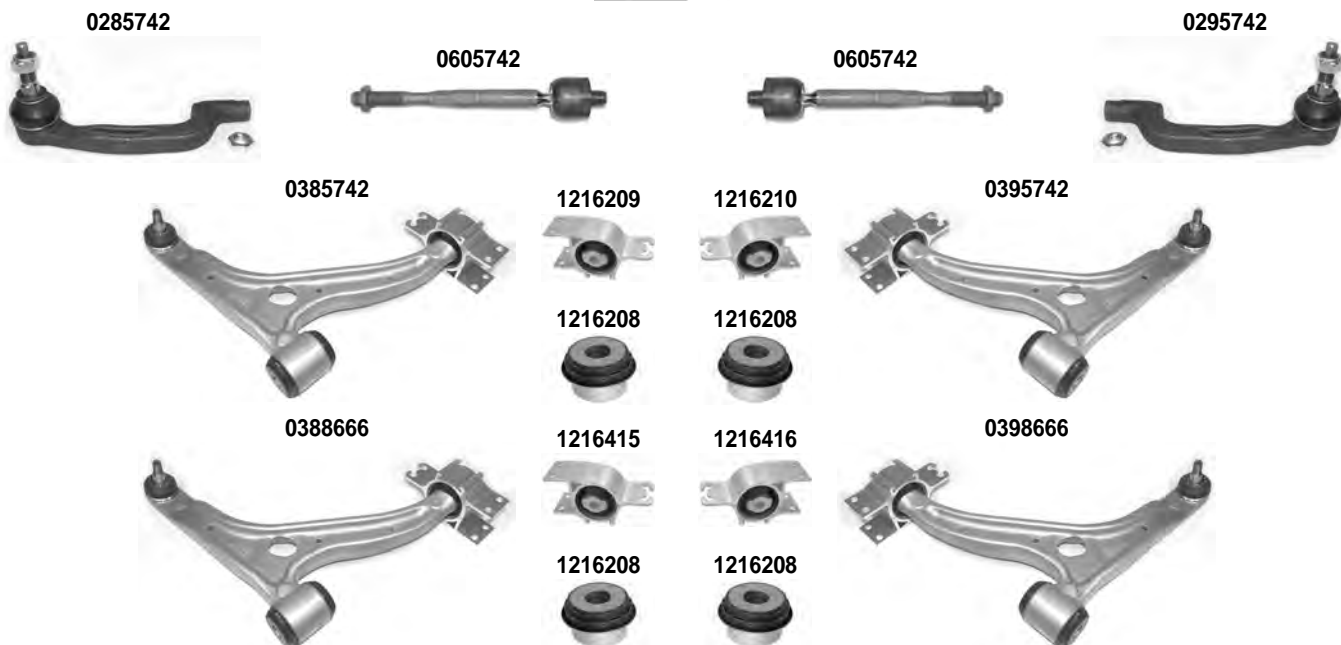
117
X117
X156

01/2013 >
01/2015 >
12/2013 >

Asse Anteriore



Front Axle



<p>i 1) ECCETTO - EXCEPT: GLA 3) ECCETTO MOD. AMMORTIZZATORI REG. ELETTRICAMENTE - EXCEPT ELECTRICALLY REG. SHOCK ABSORBERS MODELS</p>	<p>2) GLA: TUTTI I MODELLI - ALL MODELS 4) CLA: MOD. AMMORTIZZATORI REG. ELETTRICAMENTE - EXCEPT ELECTRICALLY REG. SHOCK ABSORBERS MODELS</p>
---	---

OCAP	O.E.		i	
0285742	2463301800	TESTA STERZO TIE ROD END		RHT M14x1,5
0295742	2463301700	TESTA STERZO TIE ROD END		RHT M14x1,5
0385742	2463304800	BRACCIO OSCILLANTE - INFERIORE - ALLUMINIO TRACK CONTROL ARM - LOWER - ALUMINIUM	1) 3)	
0388666	1563300200	BRACCIO OSCILLANTE - INFERIORE - ALLUMINIO TRACK CONTROL ARM - LOWER - ALUMINIUM	2) 4)	
0395742	2463304700	BRACCIO OSCILLANTE - INFERIORE - ALLUMINIO TRACK CONTROL ARM - LOWER - ALUMINIUM	1) 3)	
0398666	1563300100	BRACCIO OSCILLANTE - INFERIORE - ALLUMINIO TRACK CONTROL ARM - LOWER - ALUMINIUM	2) 4)	
0605742	2463380000	SNODO ASSIALE AXIAL JOINT		RHT M14x1,5
1216208	2463330114	SILENTBLOCK CENTRALE CENTRAL BUSHING		
1216209	2463330200	SILENTBLOCK ESTREMO OUTER BUSHING	1) 3)	
1216210	2463330100	SILENTBLOCK ESTREMO OUTER BUSHING	1) 3)	
1216415	2463330614	SILENTBLOCK ESTREMO OUTER BUSHING	2) 4)	
1216416	2463330514	SILENTBLOCK ESTREMO OUTER BUSHING	2) 4)	

DESTRO
RIGHT



SINISTRO
LEFT

CLA CLASS CLA SHOOTING BRAKE GLA CLASS	117 X117 X156	01/2013 > 01/2015 > 12/2013 >
--	---------------------	-------------------------------------

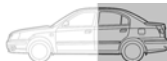
Asse Anteriore



Front Axle



Asse Posteriore



Rear Axle



i 5) ECCETTO - EXCEPT: MOD. SPORT

OCAP	O.E.		i	
0505742	2463200089	STABILIZZATORE STABILIZER LINK		
0505743	2463200789	STABILIZZATORE STABILIZER LINK	5)	
0705742	2463500053	BRACCIO OSCILLANTE - INFERIORE TRACK CONTROL ARM - LOWER		
0705743	2463501006	BRACCIO OSCILLANTE - SUPERIORE TRACK CONTROL ARM - UPPER		
1216211	2463520265	SILENTBLOCK BUSHING		
1216212	2463520165	SILENTBLOCK BUSHING		

DESTRO
RIGHT

 SINISTRO
LEFT

CLK CLASS
CLK CABRIOLET CLASS

 208
208

 1997 > 2002
1998 > 2002

Asse Anteriore



Front Axle

0282025

0502026

0282025

0502156

0902156

1215237

0782172

1215221

1215221

0792172

0402157

0902103

0402157

1214210

1214215

1214216

i 1) ECCETTO - EXCEPT: MOD. 320 - 430 - 55 AMG

OCAP	O.E.		i	
0282025	0013307735	TESTA STERZO TIE ROD END		RHT M12x1,5
0402157	2103300035	SNODO OSPENSIONE INFERIORE SUSPENSION JOINT - LOWER		
0502026	2024600405	BARRA STERZO TIE ROD	1)	
0502156	2024600219	LEVA STERZO PITMAN ARM		
0782172	2103308807	BRACCIO OSCILLANTE - SUPERIORE TRACK CONTROL ARM - UPPER		
0792172	2103308707	BRACCIO OSCILLANTE - SUPERIORE TRACK CONTROL ARM - UPPER		
0902103	2023300118	KIT RIPARAZIONE BRACCIO OSCILLANTE REPAIRING KIT CONTROL ARM		
0902156	2024600319	KIT BRACCIO STERZO KIT PITMAN ARM		
1214210	1243235685	SILENTBLOCK BARRA STABILIZZATRICE STABILIZING BAR BUSHING		DIAM. 26,5 mm.
1214215	1243235485	SILENTBLOCK BARRA STABILIZZATRICE STABILIZING BAR BUSHING		DIAM. 24 mm.
1214216	2023230285	SILENTBLOCK BARRA STABILIZZATRICE STABILIZING BAR BUSHING		DIAM. 23 mm.
1215221	2103308807 *	SILENTBLOCK BRACCIO SOSPENSIONE CONTROL ARM BUSHING		
1215237	2024600319 *	SILENTBLOCK BUSHING		

DESTRO
RIGHT



SINISTRO
LEFT

CLK CLASS
CLK CABRIOLET CLASS

208
208

1997 > 2002
1998 > 2002

Asse Posteriore



Rear Axle



OCAP	O.E.			
0404800	2303520027	GIUNTO SOSPENSIONE SUSPENSION JOINT		
0500721	2103501853	BARRA SOSPENSIONE SUSPENSION BAR		
0502150	2103503406	BRACCIO SOSPENSIONE SUSPENSION ARM		
0502152	2103503806	BRACCIO SOSPENSIONE SUSPENSION ARM		
0502153	2103503306	BRACCIO SOSPENSIONE TRACK ROD		
0900721	1403501170	KIT BRACCIO SOSPENSIONE SUSPENSION ARM KIT		
1214227	1243260081	SILENTBLOCK BARRA STABILIZZATRICE STABILIZING BAR BUSHING		DIAM. 15 mm.
1215052	2013528865	SILENTBLOCK BUSHING		
1215089	2103503306 *	SILENTBLOCK BUSHING		13 mm.
1215201	1243529065	SILENTBLOCK BUSHING		12 mm.
1215202	1243528665	SILENTBLOCK BUSHING		12 mm.
1215434	2023510842	BOCCOLA TRAVERSA SOSPENSIONE RUBBER RING FOR CROSS ROD SUSPENSION		
0500721-K	2103501853 *	BARRA SOSPENSIONI CON KIT SUSPENSION BAR WITH KIT		

DESTRO
RIGHT



SINISTRO
LEFT

CLS CLASS	218	01/2011 > 12/2017
-----------	-----	-------------------

Asse Anteriore






Front Axle

0389295



0399295



OCAP	O.E.			
0389295	2183301211	BRACCIO OSCILLANTE - INFERIORE TRACK CONTROL ARM - LOWER		
0399295	2183301111	BRACCIO OSCILLANTE - INFERIORE TRACK CONTROL ARM - LOWER		

DESTRO
RIGHT



SINISTRO
LEFT

E CLASS E CLASS T-MODEL	124 124	1985 > 1996 03/1993 > 1996
----------------------------	------------	-------------------------------

Asse Anteriore



Front Axle



i 1) > CH. 1B022104 > CH. 2B051198 3) CH. 1B022105-2B051199 > - 1989 >	2) > 1B022104-2B051198 - > 1989 5) MOD. 4 MATIC
--	--

OCAP	O.E.		i	
0181687	0013304035	TESTA STERZO - INTERNA TIE ROD END - INNER	5)	RHT M14x1,5
0182170	0003385110	TESTA STERZO - ESTERNA TIE ROD END OUTER		RHT M14x1,5
0191686	0013303935	TESTA STERZO - ESTERNA TIE ROD END OUTER	5)	LHT M14x1,5
0191687	0013303835	TESTA STERZO - ESTERNA TIE ROD END OUTER	5)	LHT M14x1,5
0193901	0003385910	TESTA STERZO - INTERNA TIE ROD END INNER		LHT M14x1,5
0502174	1244600905	BARRA STERZO - R H D TIE ROD - R H D	2)	
0503900	1244600805	BARRA STERZO - L H D TIE ROD - L H D	1)	
0503901	1243300903	BARRA STERZO TIE ROD		
0503903	1244601205	BARRA STERZO - L H D - R H D TIE ROD - L H D - R H D	3)	
0581687	1243301503	BARRA STERZO - L H D TIE ROD - L H D	5)	
0591687	1243301403	BARRA STERZO - L H D TIE ROD - L H D	5)	

DESTRO
RIGHT



SINISTRO
LEFT

E CLASS
E CLASS T-MODEL

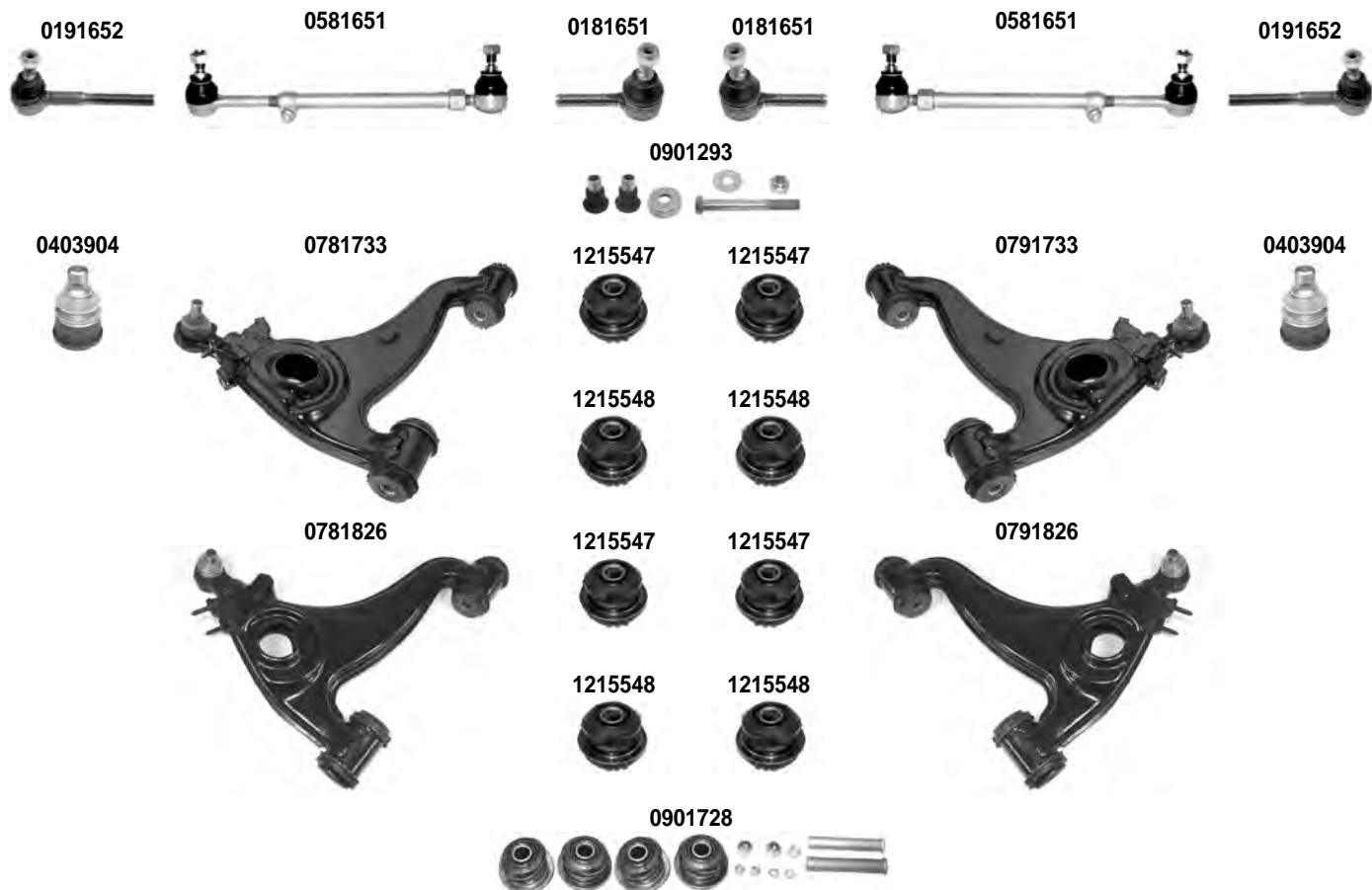
124
124

1985 > 1996
03/1993 > 1996

Asse Anteriore



Front Axle



i 6) MOD. 500 E
8) SOLO PER - ONLY FOR: MOD. 300-320-420-500-AMG

7) ECCETTO - EXCEPT: MOD. 300-320-420-500-AMG

OCAP	O.E.		
0181651	0013305235	TESTA STERZO - INTERNA TIE ROD END INNER	6) RHT M14x1,5 L = 80 mm.
0191652	0013305335	TESTA STERZO - ESTERNA TIE ROD END - OUTER	6) RHT M14x1,5 L = 135 mm.
0403904	1243330327	SNODO SOSPENSIONE INFERIORE SUSPENSION JOINT - LOWER	7)
0581651	1293300303	BARRA STERZO TIE ROD	6)
0781733	1243303107	BRACCIO OSCILLANTE TRACK CONTROL ARM	7)
0781826	1243303507	BRACCIO OSCILLANTE TRACK CONTROL ARM	8)
0791733	1243303007	BRACCIO OSCILLANTE TRACK CONTROL ARM	7)
0791826	1243303407	BRACCIO OSCILLANTE TRACK CONTROL ARM	8)
0901293	1244600119	KIT RIPARAZIONE RINVIO STERZO REPAIRING KIT STEERING RETURN	
0901728	1243300575	KIT RIPARAZIONE BRACCIO OSCILLANTE REPAIRING KIT CONTROL ARM	
1215547	1243334214	SILENTBLOCK BUSHING	
1215548	1243334314	SILENTBLOCK BUSHING	

DESTRO
RIGHT



SINISTRO
LEFT

E CLASS E CLASS T-MODEL	124 124	1985 > 1996 03/1993 > 1996
----------------------------	------------	-------------------------------

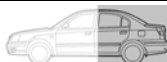
Asse Anteriore



Front Axle



Asse Posteriore



Rear Axle



OCAP	O.E.			
0500721	2103501853	BARRA SOSPENSIONE SUSPENSION BAR		
0503905	1243200289	STABILIZZATORE STABILIZER LINK		
0900721	1403501170	KIT BRACCIO SOSPENSIONE SUSPENSION ARM KIT		
1214200	1243233785	SILENTBLOCK BARRA STABILIZZATRICE STABILIZING BAR BUSHING		DIAM. 24 mm.
1214203	1243234985	SILENTBLOCK BARRA STABILIZZATRICE STABILIZING BAR BUSHING		DIAM. 18 mm.
1214207	1243232485	SILENTBLOCK BARRA STABILIZZATRICE STABILIZING BAR BUSHING		DIAM. 27,5 mm.
1214209	2013234985	SILENTBLOCK BARRA STABILIZZATRICE STABILIZING BAR BUSHING		DIAM. 23 mm.
1214210	1243235685	SILENTBLOCK BARRA STABILIZZATRICE STABILIZING BAR BUSHING		DIAM. 26,5 mm.
1214211	1243235085	SILENTBLOCK BARRA STABILIZZATRICE STABILIZING BAR BUSHING		DIAM. 22,5 mm.
1214215	1243235485	SILENTBLOCK BARRA STABILIZZATRICE STABILIZING BAR BUSHING		DIAM. 24 mm.
1214217	1243235185	SILENTBLOCK BARRA STABILIZZATRICE STABILIZING BAR BUSHING		DIAM. 22,5 mm.
1214218	1243234585	SILENTBLOCK BARRA STABILIZZATRICE STABILIZING BAR BUSHING		DIAM. 27,5 mm.
1214219	1243234485	SILENTBLOCK BARRA STABILIZZATRICE STABILIZING BAR BUSHING		DIAM. 25 mm.
1215052	2013528865	SILENTBLOCK BUSHING		
1215372	1243231785	BOCCOLA LATERALE BARRA STABILIZZATRICE LATERAL STABILIZING BAR BUSHING		DIAM. 24 mm.
1215412	2013234885	BOCCOLA LATERALE BARRA STABILIZZATRICE LATERAL STABILIZING BAR BUSHING		DIAM. 22 mm.
1215426	1243232385	BOCCOLA LATERALE BARRA STABILIZZATRICE LATERAL STABILIZING BAR BUSHING		DIAM. 18,5 mm.
0500721-K	2103501853 *	BARRA SOSPENSIONI CON KIT SUSPENSION BAR WITH KIT		

DESTRO
RIGHT



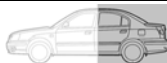
SINISTRO
LEFT

E CLASS
E CLASS T-MODEL

124
124

1985 > 1996
03/1993 > 1996

Asse Posteriore



Rear Axle



i 8) ECCEETTO VEICOLI CHASSIS SPORTIVO - EXCEPT MOD. SPORT CHASSIS

OCAP	O.E.		i	
0404800	2303520027	GIUNTO SOSPENSIONE SUSPENSION JOINT		
0502150	2103503406	BRACCIO SOSPENSIONE SUSPENSION ARM		
0502152	2103503806	BRACCIO SOSPENSIONE SUSPENSION ARM		
0502153	2103503306	BRACCIO SOSPENSIONE TRACK ROD		
1215089	2103503306 *	SILENTBLOCK BUSHING		13 mm.
1215201	1243529065	SILENTBLOCK BUSHING		12 mm.
1215202	1243528665	SILENTBLOCK BUSHING		12 mm.
1215371	2013261081	BOCCOLA CENTRALE BARRA STABILIZZATRICE CENTRAL STABILIZING BAR BUSHING		
1215433	1243510242	SILENTBLOCK TRAVERSA SOSPENSIONE CROSS ROD SUSPENSION BUSHING	8)	
1216405	1243527765	SILENTBLOCK BUSHING		

DESTRO
RIGHT



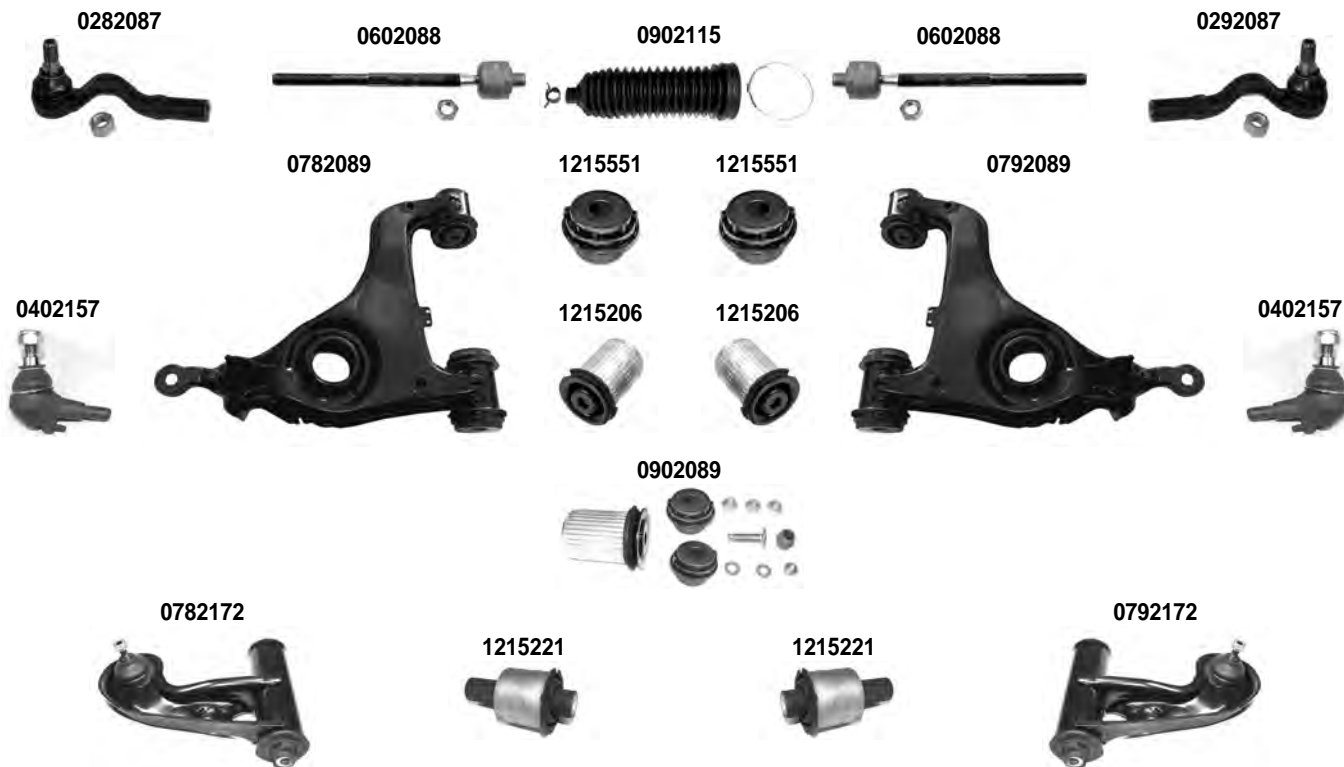
SINISTRO
LEFT

E CLASS E CLASS T-MODEL	210 210	1995 > 2003 06/1996 > 2003
----------------------------	------------	-------------------------------

Asse Anteriore



Front Axle



i 1) ECCEETTO - EXCEPT : 4-MATIC

OCAP	O.E.		i	
0282087	2103380615	TESTA STERZO TIE ROD END	1)	RHT M14x1,5
0292087	2103380515	TESTA STERZO TIE ROD END	1)	RHT M14x1,5
0402157	2103300035	SNODO SOSPENSIONE SUSPENSION JOINT		
0602088	2103380415	SNODO ASSIALE AXIAL JOINT	1)	RHT M14x1,5
0782089	2103306207	BRACCIO OSCILLANTE - INFERIORE TRACK CONTROL ARM - LOWER	1)	
0782172	2103308807	BRACCIO SOSPENSIONE SUPERIORE CONTROL ARM UPPER	1)	
0792089	2103306107	BRACCIO OSCILLANTE - INFERIORE TRACK CONTROL ARM - LOWER	1)	
0792172	2103308707	BRACCIO SOSPENSIONE SUPERIORE CONTROL ARM UPPER	1)	
0902089	2103300475	KIT BRACCIO OSCILLANTE CONTROL ARM KIT	1)	
0902115	2104602300	KIT CUFFIA STERZO STEERING GAITER KIT		
1215206	2103336814	SILENTBLOCK BUSHING	1)	
1215221	2103308807 *	SILENTBLOCK BUSHING	1)	
1215551	2103335514	SILENTBLOCK BUSHING	1)	

DESTRO
RIGHT

 SINISTRO
LEFT

E CLASS
E CLASS T-MODEL

 210
210

 1995 > 2003
06/1996 > 2003

Asse Anteriore



Front Axle

0584164

1214197

1214212

1214213

1214220

0594164

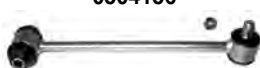

Asse Posteriore



Rear Axle

0503905

0504156

0504156

0503905

0500721-K

0500721-K

0500721

1215052

0900721

1215052

0500721

i 2) SOLO PER SERIE T (S 210) - ONLY FOR T SERIES (S 210)

OCAP	O.E.		i	
0500721	2103502153	BARRA SOSPENSIONE SUSPENSION BAR		
0503905	1243200289	STABILIZZATORE STABILIZER LINK		
0504156	1243200489	STABILIZZATORE STABILIZER LINK	2)	
0584164	2103203789	STABILIZZATORE STABILIZER LINK		
0594164	2103203689	STABILIZZATORE STABILIZER LINK		
0900721	1403501170	KIT BRACCIO SOSPENSIONE SUSPENSION ARM KIT		
1214197	1403230985	SILENTBLOCK BARRA STABILIZZATRICE STABILIZING BAR BUSHING		DIAM. 26 mm.
1214212	2103231485	SILENTBLOCK BARRA STABILIZZATRICE STABILIZING BAR BUSHING		DIAM. 26 mm.
1214213	1403231985	SILENTBLOCK BARRA STABILIZZATRICE STABILIZING BAR BUSHING		DIAM. 27 mm.
1214220	1293230185	SILENTBLOCK BARRA STABILIZZATRICE STABILIZING BAR BUSHING		DIAM. 30 mm.
1215052	2013528865	SILENTBLOCK BUSHING		
0500721-K	2103502153 *	BARRA SOSPENSIONI CON KIT SUSPENSION BAR WITH KIT		

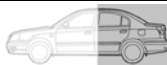
DESTRO
RIGHT



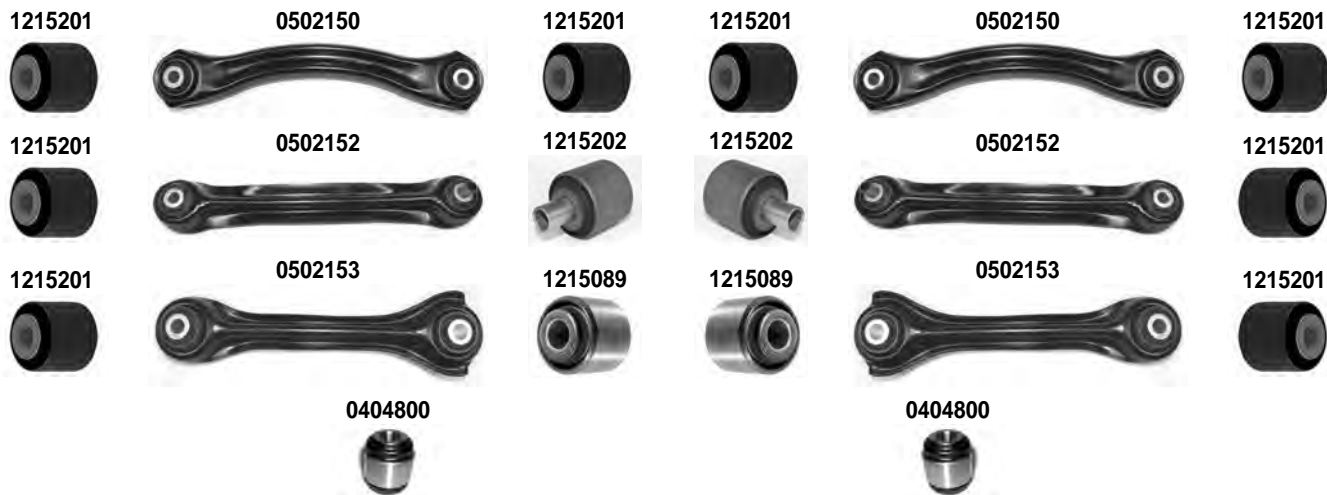
SINISTRO
LEFT

E CLASS E CLASS T-MODEL	210 210	1995 > 2003 06/1996 > 2003
----------------------------	------------	-------------------------------

Asse Posteriore



Rear Axle



OCAP	O.E.			
0404800	2303520027	GIUNTO SOSPENSIONE <i>SUSPENSION JOINT</i>		
0502150	2103503406	BRACCIO SOSPENSIONI <i>SUSPENSION ARM</i>		
0502152	2103503806	BRACCIO SOSPENSIONE <i>SUSPENSION ARM</i>		
0502153	2103503306	BRACCIO SOSPENSIONI <i>TRACK ROD</i>		
1215089	2103503306 *	SILENTBLOCK <i>BUSHING</i>		13 mm.
1215201	1243529065	SILENTBLOCK <i>BUSHING</i>		12 mm.
1215202	1243528665	SILENTBLOCK <i>BUSHING</i>		12 mm.

DESTRO
RIGHT



SINISTRO
LEFT

E 4 MATIC CLASS
E 4 MATIC CLASS T-MODEL

210
210

12/1996 > 2003
12/1996 > 2003

Asse Anteriore



Front Axle



OCAP	O.E.		
0282380	2103381015	TESTA STERZO TIE ROD END	RHT M14x1,5
0292380	2103380915	TESTA STERZO TIE ROD END	RHT M14x1,5
0382382	2103303807	BRACCIO OSCILLANTE - INFERIORE - ACCIAIO TRACK CONTROL ARM - LOWER - STEEL	
0392382	2103303707	BRACCIO OSCILLANTE - INFERIORE - ACCIAIO TRACK CONTROL ARM - LOWER - STEEL	
0402157	2113300335	SNODO SOSPENSIONE - INFERIORE BALL JOINT - LOWER	
0602381	2103381115	SNODO ASSIALE AXIAL JOINT	RHT M14x1,5
0782383	2103304107	BRACCIO OSCILLANTE - SUPERIORE TRACK CONTROL ARM - UPPER	
0792383	2103303907	BRACCIO OSCILLANTE - SUPERIORE TRACK CONTROL ARM - UPPER	
0902115	2104602300	KIT CUFFIA STERZO STEERING GAITER KIT	
1215221	2103308807 *	SILENTBLOCK BUSHING	
1215773	2103303807 *	SILENTBLOCK CENTRALE - LATO SNODO CENTRAL BUSHING - BALL JOINT SIDE	
1215774	2103303807 **	SILENTBLOCK CENTRALE CENTRAL BUSHING	
1215775	2103303707 *	SILENTBLOCK ESTREMO OUTER BUSHING	

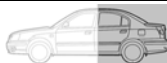
DESTRO
RIGHT



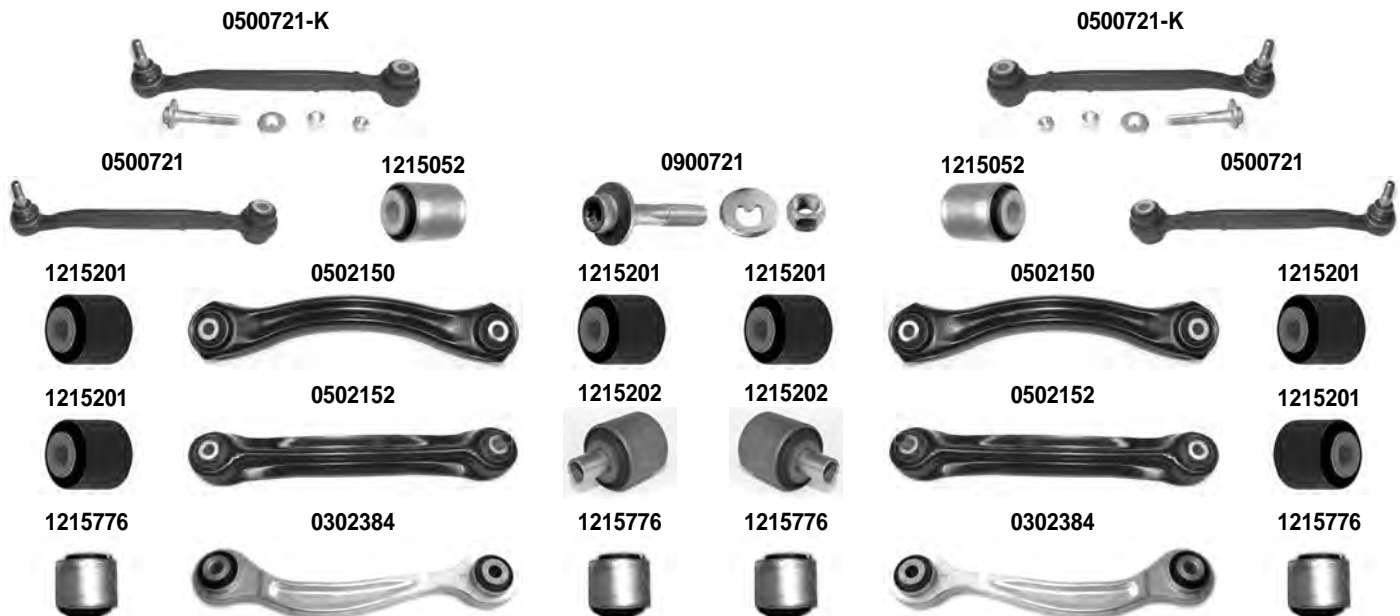
SINISTRO
LEFT

E 4 MATIC CLASS	210	12/1996 > 2003
E 4 MATIC CLASS T-MODEL	210	12/1996 > 2003

Asse Posteriore



Rear Axle



OCAP	O.E.			
0302384	2103503706	BRACCIO SOSPENSIONE - ALLUMINIO SUSPENSION ARM - ALUMINIUM		
0500721	2103502153	BARRA SOSPENSIONE SUSPENSION BAR		
0502150	2103503406	BRACCIO SOSPENSIONE SUSPENSION ARM		
0502152	2103503806	BRACCIO SOSPENSIONE SUSPENSION ARM		
0900721	1403501170	KIT BRACCIO SOSPENSIONE SUSPENSION ARM KIT		
1215052	2013528865	SILENTBLOCK BUSHING		
1215201	1243529065	SILENTBLOCK BUSHING		
1215202	1243528665	SILENTBLOCK BUSHING		
1215776	2103503706 *	SILENTBLOCK BUSHING		
0500721-K	2103502153 *	BARRA SOSPENSIONI CON KIT SUSPENSION BAR WITH KIT		

DESTRO
RIGHT

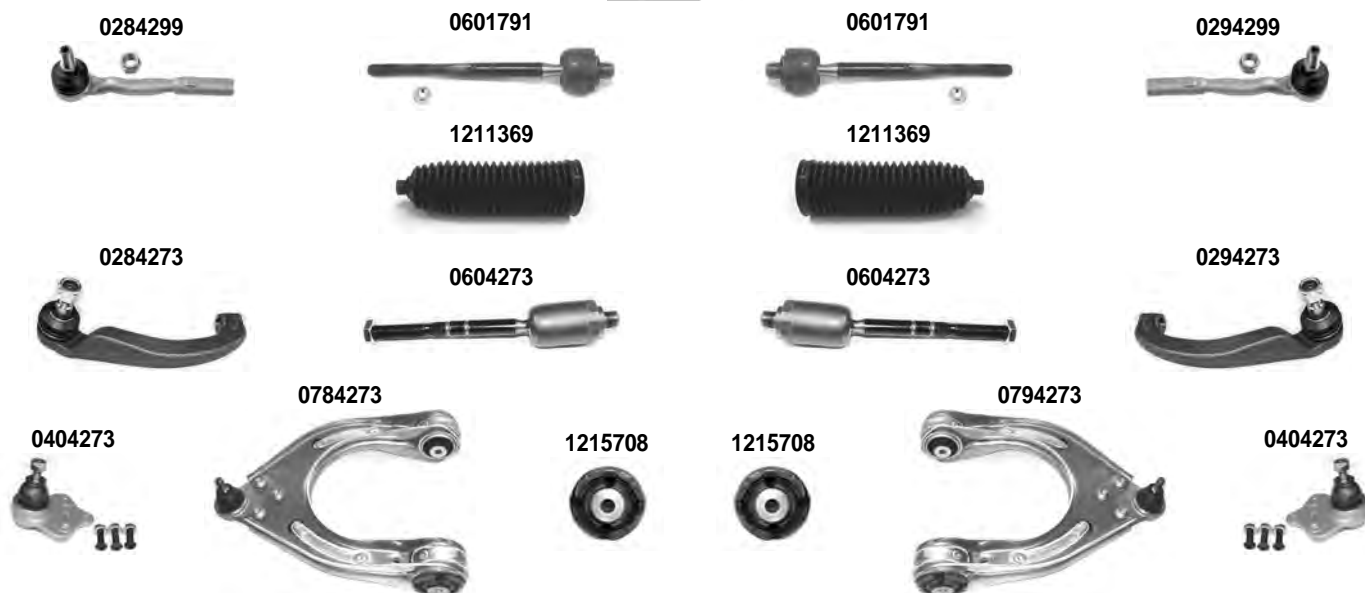
 SINISTRO
LEFT

E CLASS	211	03/2002 > 03/2009
E CLASS T-MODEL	211	02/2003 > 07/2009
CLS CLASS	219	10/2004 > 02/2011

Asse Anteriore



Front Axle



i 1) ECCETTO 4 MATIC - EXCEPT 4 MATIC	2) SOLO PER 4 MATIC - ONLY FOR 4 MATIC
--	--

OCAP	O.E.		i	
0284273	2203381415	TESTA STERZO TIE ROD END	2)	RHT M14x1,5
0284299	2113302603	TESTA STERZO TIE ROD END	1)	RHT M14x1,5
0294273	2203381315	TESTA STERZO TIE ROD END	2)	RHT M14x1,5
0294299	2113302503	TESTA STERZO TIE ROD END	1)	RHT M14x1,5
0404273	0003301007	SNODO SOSPENSIONE - SUPERIORE - ALLUMINIO BALL JOINT - UPPER - ALUMINIUM	1)	
0601791	2303380015	SNODO ASSIALE AXIAL JOINT	1)	RHT M14x1,5
0604273	2113302903	SNODO ASSIALE AXIAL JOINT	2)	RHT M14x1,5
0784273	2113309007	BRACCIO OSCILLANTE - SUPERIORE - ALLUMINIO TRACK CONTROL ARM - UPPER - ALUMINIUM	1)	
0794273	2113308907	BRACCIO OSCILLANTE - SUPERIORE - ALLUMINIO TRACK CONTROL ARM - UPPER - ALUMINIUM	1)	
1211369	2034630396	CUFFIA STERZO STEERING GAITER	1)	
1215708	2113309007 *	SILENTBLOCK BRACCIO OSCILLANTE ALLUMINIO TRACK CONTROL ARM BUSHING ALUMINIUM	1)	

DESTRO
RIGHT



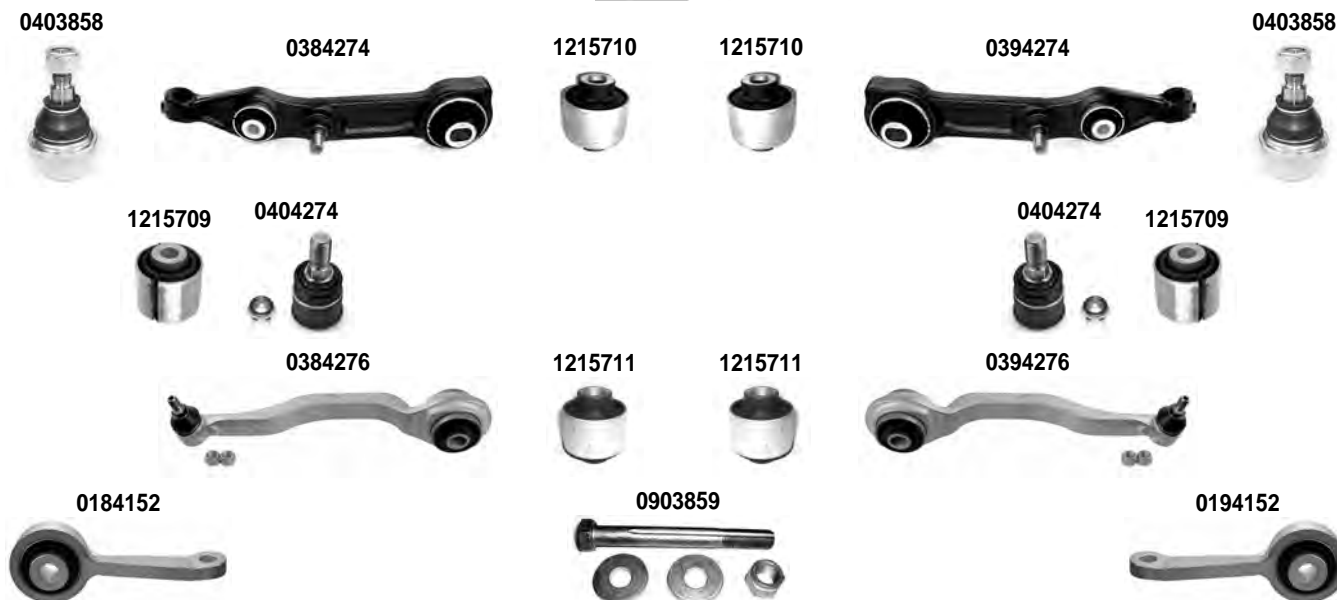
SINISTRO
LEFT

E CLASS	211	03/2002 > 03/2009
E CLASS T-MODEL	211	02/2003 > 07/2009
CLS CLASS	219	10/2004 > 02/2011

Asse Anteriore



Front Axle



i	1) ECCEPPO 4 MATIC - EXCEPT 4 MATIC	3) CON SILENTBLOCK - WITH BUSHING
	4) ECCEPPO COD. 211 330 67 07/6807 - EXCEPT COD. 211 330 67 07/6807	

OCAP	O.E.		i	
0184152	2113201089	STABILIZZATORE STABILIZER LINK	1)	
0194152	2113200989	STABILIZZATORE STABILIZER LINK	1)	
0384274	2113308207	BRACCIO OSCILLANTE - INFERIORE - ACCIAIO TRACK CONTROL ARM LOWER - STEEL	1)	
0384276	2113304411	BRACCIO OSCILLANTE - INFERIORE - ALLUMINIO TRACK CONTROL ARM LOWER - ALUMINIUM	1) 3)	
0394274	2113308107	BRACCIO OSCILLANTE - INFERIORE - ACCIAIO TRACK CONTROL ARM LOWER - STEEL	1)	
0394276	2113304311	BRACCIO OSCILLANTE - INFERIORE - ALLUMINIO TRACK CONTROL ARM LOWER - ALUMINIUM	1) 3)	
0403858	2113300435	SNODO SOSPENSIONE ESTREMO BRACCIO INFERIORE EXTREME BALL JOINT CONTROL ARM LOWER	1)	
0404274	2113230068	SNODO SOSPENSIONE CENTRALE BRACCIO INFERIORE CENTRAL BALL JOINT CONTROL ARM LOWER	1)	
0903859	0003300018	KIT RIPARAZIONE BRACCI OSCILLANTI REPAIRING KIT FOR ALL TRACK CONTROL ARMS	1) 4)	
1215709	2113331914	SILENTBLOCK CENTRALE BRACCIO OSCILLANTE - ALLUMINIO TRACK CONTROL ARM CENTRAL BUSHING - ALUMINIUM	1)	
1215710	2113331114	SILENTBLOCK ESTREMO BRACCIO OSCILLANTE - ALLUMINIO TRACK CONTROL ARM OUTER BUSHING - ALUMINIUM	1)	
1215711	2113332914	SILENTBLOCK BRACCIO OSCILLANTE - ALLUMINIO TRACK CONTROL ARM BUSHING - ALUMINIUM	1)	

DESTRO
RIGHT

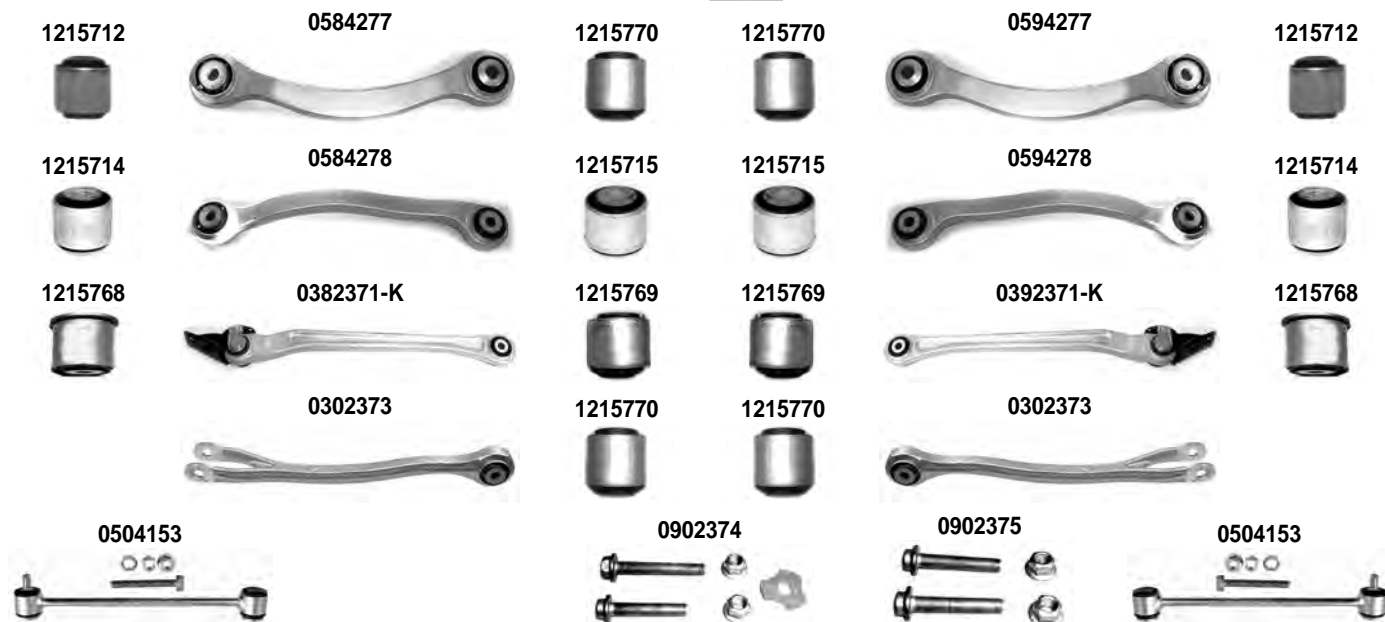
 SINISTRO
LEFT

E CLASS	211	03/2002 > 03/2009
E CLASS T-MODEL	211	02/2003 > 07/2009
CLS CLASS	219	10/2004 > 02/2011

Asse Posteriore



Rear Axle



OCAP	O.E.			
0302373	2303502006	BRACCIO SOSPENSIONE INFERIORE - ALLUMINIO LOWER SUSPENSION ARM - ALUMINIUM		
0504153	2113203389	STABILIZZATORE STABILIZER LINK		
0584277	2303503606	BRACCIO SOSPENSIONE SUPERIORE - ALLUMINIO SUSPENSION ARM UPPER - ALUMINIUM		
0584278	2303502806	BRACCIO SOSPENSIONE SUPERIORE - ALLUMINIO SUSPENSION ARM UPPER - ALUMINIUM		
0594277	2303503506	BRACCIO SOSPENSIONE SUPERIORE - ALLUMINIO SUSPENSION ARM UPPER - ALUMINIUM		
0594278	2303502706	BRACCIO SOSPENSIONE SUPERIORE - ALLUMINIO SUSPENSION ARM UPPER - ALUMINIUM		
0902374	2119900299	KIT RIPARAZIONE BRACCI SUPERIORI UPPER CONTROL ARMS REPAIRING KIT		
0902375	2119900099	KIT RIPARAZIONE BRACCIO INFERIORE REAPIRING KIT LOWER CONTROL ARM		
1215712	2303503606 *	SILENTBLOCK BRACCIO SOSPENSIONE - ALLUMINIO SUSPENSION ARM BUSHING - ALUMINIUM		
1215714	2303502806 *	SILENTBLOCK BRACCIO SOSPENSIONE - ALLUMINIO SUSPENSION ARM BUSHING - ALUMINIUM		
1215715	2303502706 *	SILENTBLOCK BRACCIO SOSPENSIONE - ALLUMINIO SUSPENSION ARM BUSHING - ALUMINIUM		
1215768	2303500429 *	SILENTBLOCK BUSHING		
1215769	2303500329 *	SILENTBLOCK BUSHING		
1215770	2303502006 *	SILENTBLOCK BRACCIO SOSPENSIONE - ALLUMINIO SUSPENSION ARM BUSHING - ALUMINIUM		
0382371-K	2303500429	BRACCIO SOSPENSIONE INFERIORE COMPLETO - ALLUMINIO COMPLETE LOWER SUSPENSION ARM - ALUMINIUM		
0392371-K	2303500329	BRACCIO SOSPENSIONE INFERIORE COMPLETO - ALLUMINIO COMPLETE LOWER SUSPENSION ARM - ALUMINIUM		

DESTRO
RIGHT



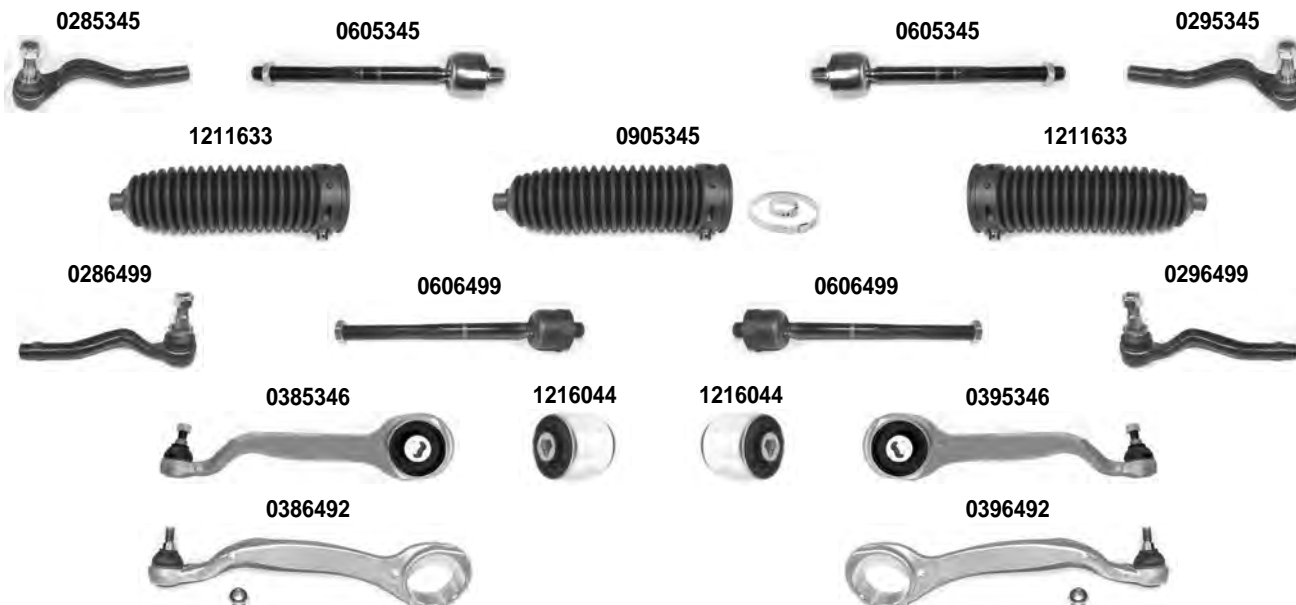
SINISTRO
LEFT

E CLASS E CLASS T-MODEL	212 212	2009 > 2016 08/2009 > 2016
----------------------------	------------	-------------------------------

Asse Anteriore



Front Axle



<p>i 1) CON SILENTBLOCK - WITH BUSHING 3) ECCETTO 4 MATIC - EXCEPT 4 MATIC 5) ECCETTO SERVOSTERZO ELETTRICO - EXCEPT ELECTRIC POWER STEERING</p>	<p>2) SENZA SILENTBLOCK - WITHOUT BUSHING 4) 4-MATIC</p>
---	--

OCAP	O.E.		i	
0285345	2123302203	TESTA STERZO TIE ROD END	3)	RHT M14x1,5
0286499	2043302003	TESTA STERZO TIE ROD END	4) 5)	RHT M14x1,5
0295345	2123302303	TESTA STERZO TIE ROD END	3)	RHT M14x1,5
0296499	2043301903	TESTA STERZO TIE ROD END	4) 5)	RHT M14x1,5
0385346	2123302811 *	BRACCIO OSCILLANTE - SUPERIORE - ALLUMINIO TRACK CONTROL ARM - UPPER - ALUMINIUM	1) 3)	
0386492	2123302811	BRACCIO OSCILLANTE - SUPERIORE - ALLUMINIO TRACK CONTROL ARM - UPPER - ALUMINIUM	2) 3)	
0395346	2123302711 *	BRACCIO OSCILLANTE - SUPERIORE - ALLUMINIO TRACK CONTROL ARM - UPPER - ALUMINIUM	1) 3)	
0396492	2123302711	BRACCIO OSCILLANTE - SUPERIORE - ALLUMINIO TRACK CONTROL ARM - UPPER - ALUMINIUM	2) 3)	
0605345	2123302103	SNODO ASSIALE AXIAL JOINT	3)	RHT M14x1,5
0606499	2043380515	SNODO ASSIALE AXIAL JOINT	4)	RHT M14x1,5
0905345	2044630296 *	KIT CUFFIA STERZO STEERING GAITER KIT	3)	
1211633	2044630296	CUFFIA STERZO STEERING GAITER	3)	
1216044	2123330014	SILENTBLOCK BUSHING	3)	

DESTRO
RIGHT

 SINISTRO
LEFT

E CLASS E CLASS T-MODEL	212 212	2009 > 2016 08/2009 > 2016
----------------------------	------------	-------------------------------



Asse Anteriore



Front Axle



i 3) ECCETTO 4 MATIC - EXCEPT 4 MATIC

OCAP	O.E.		i	
0385345	2123303011	BRACCIO OSCILLANTE - INFERIORE - ACCIAIO TRACK CONTROL ARM - LOWER - STEEL	3)	
0395345	2123302911	BRACCIO OSCILLANTE - INFERIORE - ACCIAIO TRACK CONTROL ARM - LOWER - STEEL	3)	
0405345	2123300135	SNODO SOSPENSIONE - INFERIORE BALL JOINT - LOWER	3)	
0585345	2123201289	STABILIZZATORE STABILIZER LINK	3)	
0595345	2123201189	STABILIZZATORE STABILIZER LINK	3)	
0905190	0003331071	KIT RIPARAZIONE REPAIRING KIT	3)	
1216043	2123303011 *	SILENTBLOCK BUSHING	3)	

DESTRO
RIGHT



SINISTRO
LEFT

E CLASS E CLASS T-MODEL	212 212	2009 > 2016 08/2009 > 2016
----------------------------	------------	-------------------------------

Asse Posteriore



Rear Axle



OCAP	O.E.			
0383225	2053506203	BRACCIO OSCILLANTE - SUPERIORE - ALLUMINIO TRACK CONTROL ARM - UPPER - ALUMINIUM		
0383226	2043502206	BRACCIO OSCILLANTE - SUPERIORE - ALLUMINIO TRACK CONTROL ARM - UPPER - ALUMINIUM		
0383227	2053506603	BRACCIO OSCILLANTE - INFERIORE - ALLUMINIO TRACK CONTROL ARM - LOWER - ALUMINIUM		
0393225	2053506103	BRACCIO OSCILLANTE - SUPERIORE - ALLUMINIO TRACK CONTROL ARM - UPPER - ALUMINIUM		
0393226	2043502106	BRACCIO OSCILLANTE - SUPERIORE - ALLUMINIO TRACK CONTROL ARM - UPPER - ALUMINIUM		
0393227	2053506503	BRACCIO OSCILLANTE - INFERIORE - ALLUMINIO TRACK CONTROL ARM - LOWER - ALUMINIUM		
0703228	2053506303	BRACCIO OSCILLANTE - INFERIORE TRACK CONTROL ARM - LOWER		
1215840	2043501606 *	SILENTBLOCK BUSHING		
1216049	2043501506 *	SILENTBLOCK BUSHING		
1216050	2043502206 *	SILENTBLOCK BUSHING		
1216051	2043502106 *	SILENTBLOCK BUSHING		
1216052	2043500653 *	SILENTBLOCK BUSHING		
1216053	2043500553 *	SILENTBLOCK BUSHING		
1216054	2043502706 *	SILENTBLOCK BUSHING		

DESTRO
RIGHT



SINISTRO
LEFT

E CLASS
E CLASS T-MODEL

212
212

2009 > 2016
08/2009 > 2016

Asse Posteriore



Rear Axle

0583224



1216426



1216426



0593224



OCAP	O.E.			
0583224	2043200489	STABILIZZATORE STABILIZER LINK		
0593224	2043200589	STABILIZZATORE STABILIZER LINK		
1216426	A2043510342	SUPPORTO ASSALE AXLE SUPPORT		

DESTRO
RIGHT



SINISTRO
LEFT

G CLASS (230G > 300GD)

460

1979 >

Asse Anteriore



Front Axle

0180727



0502246



0282248



0502247



0282248



0502249



0184189



0504189



0181695



0191695



i	1) A TELAIO > VA 7007725 - TO CHASSIS > VA 7007725	2) DA TELAIO 7007726 > - FROM CHASSIS 7007726 >
	3) SOLO PER - ONLY FOR : MOD. 250/300 GD - DA CH. VA 7007726 >	4) DIAM. CONO = 20 mm. - TAPER = 20 mm.
	5) LATO GUIDA - DRIVESIDE	

OCAP	O.E.		i	
0180727	6013305335	TESTA STERZO TIE ROD END	1)	RHT M20x1,5
0181695	4603300435	TESTA STERZO TIE ROD END		RHT M20x1,5 L = 95 mm.
0184189	0004633729	TESTA STERZO TIE ROD END		RHT M24x1,5
0191695	0004607348	TESTA STERZO TIE ROD END		LHT M20x1,5 L = 95 mm.
0282248	6023300335	TESTA STERZO TIE ROD END	4)	RHT M22x1,5
0502246	4603300703	BARRA STERZO CENTRALE CENTRAL TIE ROD	1)	L = 1.081 mm.
0502247	4603301803	BARRA STERZO CENTRALE CENTRAL TIE ROD	2)	L = 1.093 mm.
0502249	4603302003	BARRA STERZO TIE ROD	3)	L = 1.140 mm.
0504189	4604635115	BARRA STERZO TIE ROD	5)	L = 1.042 mm.

DESTRO
RIGHT

 SINISTRO
LEFT

 G CLASS (230GE > G290TD)
G CLASS (230GE > G400CDI)

 461
463

1989 >

Asse Anteriore



Front Axle

0282248



0502251



0282248



0502248



0184189



0504189



0181695



0191695



1214220



1214220



i	1) SOLO PER SERIE - ONLY FOR SERIES W 463	2) SOLO PER SERIE - ONLY FOR SERIES - W 463 - MOD. G 320
	3) DIAM. CONO = 20 mm. - TAPER = 20 mm.	4) LATO GUIDA - DRIVESIDE

OCAP	O.E.		i	
0181695	4603300435	TESTA STERZO TIE ROD END		RHT M20x1,5 L = 95 mm.
0184189	0004633729	TESTA STERZO TIE ROD END		RHT M24x1,5
0191695	0004607348	TESTA STERZO TIE ROD END		LHT M20x1,5 L = 95 mm.
0282248	6023300335	TESTA STERZO TIE ROD END	3)	RHT M22x1,5
0502248	4633300403	BARRA STERZO - CENTRALE TIE ROD - CENTRAL	2)	L = 1.152 mm.
0502251	4633300603	BARRA STERZO - CENTRALE TIE ROD - CENTRAL	1)	L = 1.102 mm.
0504189	4604635115	BARRA STERZO TIE ROD	4)	L = 1.042 mm.
1214220	1293230185	SILENTBLOCK BARRA STABILIZZATRICE STABILIZING BAR BUSHING		DIAM. 30 mm.

DESTRO
RIGHT



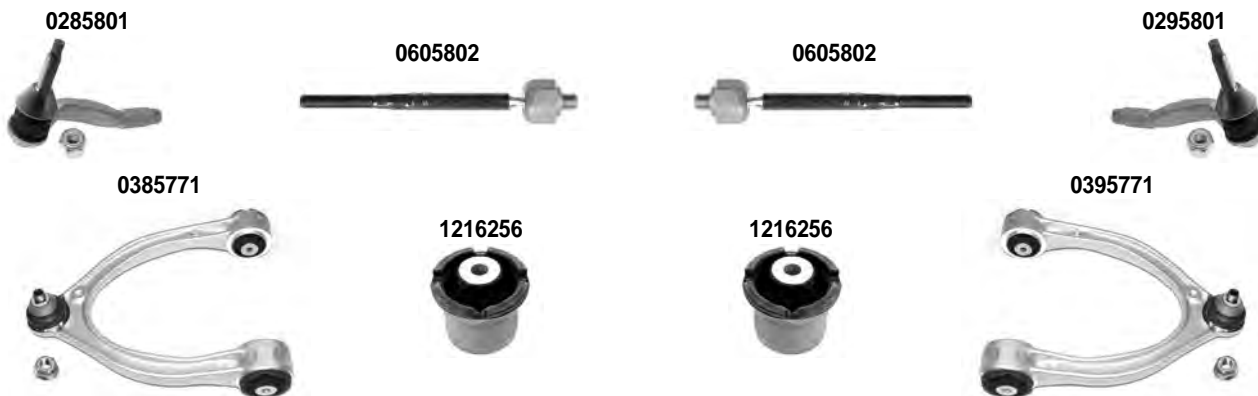
SINISTRO
LEFT

GLC CLASS GLC COUPE' CLASS	X253 C253	06/2015 > 06/2016 >
-------------------------------	--------------	------------------------

Asse Anteriore



Front Axle



OCAP	O.E.			
0285801	2054600105	TESTA STERZO TIE ROD END		
0295801	2054600005	TESTA STERZO TIE ROD END		
0385771	2053305601	BRACCIO OSCILLANTE - SUPERIORE - ALLUMINIO TRACK CONTROL ARM - UPPER - ALUMINIUM		
0395771	2053305501	BRACCIO OSCILLANTE - SUPERIORE - ALLUMINIO TRACK CONTROL ARM - UPPER - ALUMINIUM		
0605802	2054600405	SNODO ASSIALE AXIAL JOINT		
1216256	2053305601 *	SILENTBLOCK BUSHING		

DESTRO
RIGHT



SINISTRO
LEFT

GLC CLASS
GLC COUPE' CLASS

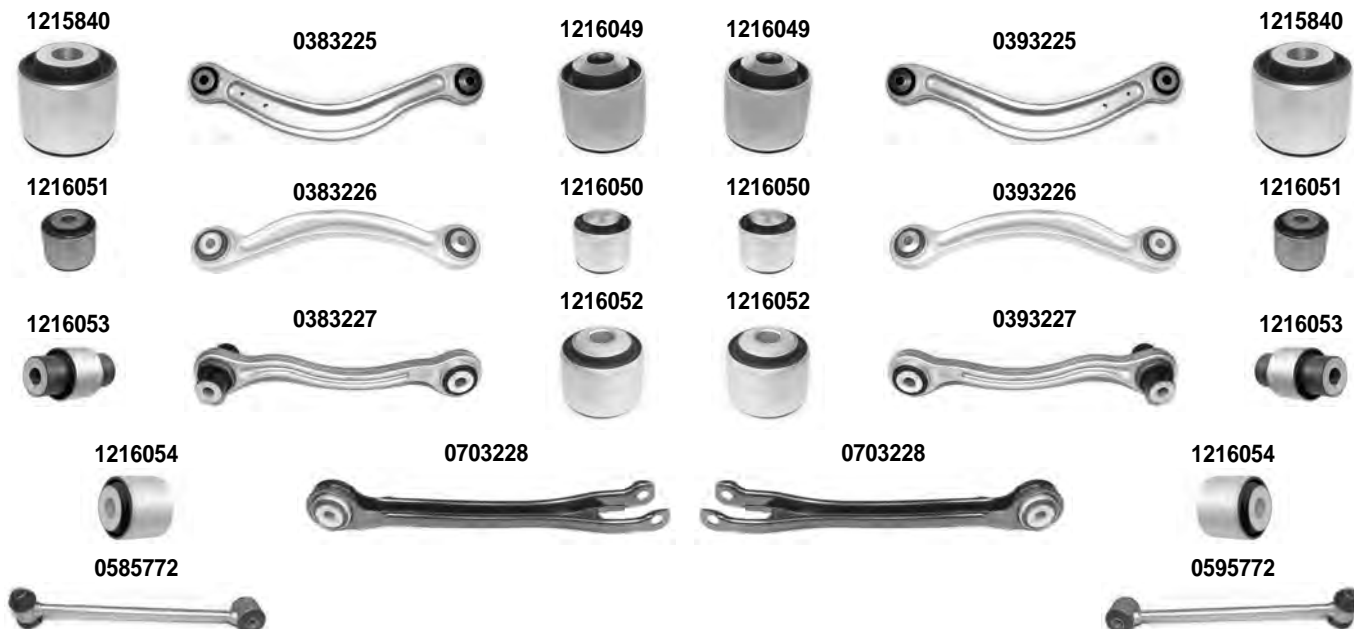
X253
C253

06/2015 >
06/2016 >

Asse Posteriore



Rear Axle



OCAP	O.E.			
0383225	2053506203	BRACCIO OSCILLANTE - SUPERIORE - ALLUMINIO CONTROL ARM - UPPER - ALUMINIUM		
0383226	2043502206	BRACCIO OSCILLANTE - SUPERIORE - ALLUMINIO CONTROL ARM - UPPER - ALUMINIUM		
0383227	2053506603	BRACCIO OSCILLANTE - INFERIORE - ALLUMINIO CONTROL ARM - LOWER - ALUMINIUM		
0393225	2053506103	BRACCIO OSCILLANTE - SUPERIORE - ALLUMINIO CONTROL ARM - UPPER - ALUMINIUM		
0393226	2043502106	BRACCIO OSCILLANTE - SUPERIORE - ALLUMINIO CONTROL ARM - UPPER - ALUMINIUM		
0393227	2053506503	BRACCIO OSCILLANTE - INFERIORE - ALLUMINIO CONTROL ARM - LOWER - ALUMINIUM		
0585772	2053260417	STABILIZZATORE STABILIZER LINK		
0595772	2043260317	STABILIZZATORE STABILIZER LINK		
0703228	2053506303	BRACCIO OSCILLANTE - INFERIORE CONTROL ARM - LOWER		
1215840	2043501606 *	SILENTBLOCK BUSHING		
1216049	2043501506 *	SILENTBLOCK BUSHING		
1216050	2043502206 *	SILENTBLOCK BUSHING		
1216051	2043502106 *	SILENTBLOCK BUSHING		
1216052	2043500653 *	SILENTBLOCK BUSHING		
1216053	2043500553 *	SILENTBLOCK BUSHING		
1216054	2043502706 *	SILENTBLOCK BUSHING		

DESTRO
RIGHT



SINISTRO
LEFT

GLK CLASS (GLK 200 - GLK 350)

X204

06/2008 >

Asse Anteriore



Front Axle

0286499



0389296

0606499



0606499



0296499



0399296



0583227



0593227



i 1) 4-MATIC

OCAP	O.E.		i	
0286499	2043302003	TESTA STERZO TIE ROD END		RHT M14x1,5
0296499	2043301903	TESTA STERZO TIE ROD END		RHT M14x1,5
0389296	2043308211	BRACCIO OSCILLANTE - INFERIORE - ALLUMINIO TRACK CONTROL ARM - LOWER - ALUMINIUM		
0399296	2043308111	BRACCIO OSCILLANTE - INFERIORE - ALLUMINIO TRACK CONTROL ARM - LOWER - ALUMINIUM		
0583227	2043202289	STABILIZZATORE STABILIZER LINK	1)	
0593227	2043200789	STABILIZZATORE STABILIZER LINK	1)	
0606499	2043380515	SNODO ASSIALE AXIAL JOINT		RHT M14x1,5

DESTRO
RIGHT



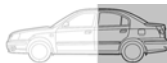
SINISTRO
LEFT

GLK CLASS (GLK 200 - GLK 350)

X204

06/2008 >

Asse Posteriore



Rear Axle



OCAP	O.E.			
0383226	2043502206	BRACCIO OSCILLANTE - SUPERIORE - ALLUMINIO TRACK CONTROL ARM - UPPER - ALUMINIUM		
0383227	2053506603	BRACCIO OSCILLANTE - INFERIORE - ALLUMINIO TRACK CONTROL ARM - LOWER - ALUMINIUM		
0393226	2043502106	BRACCIO OSCILLANTE - SUPERIORE - ALLUMINIO TRACK CONTROL ARM - UPPER - ALUMINIUM		
0393227	2053506503	BRACCIO OSCILLANTE - INFERIORE - ALLUMINIO TRACK CONTROL ARM - LOWER - ALUMINIUM		
0583224	2043200489	STABILIZZATORE STABILIZER LINK		
0593224	2043200589	STABILIZZATORE STABILIZER LINK		
1216050	2043502206 *	SILENTBLOCK BUSHING		
1216051	2043502106 *	SILENTBLOCK BUSHING		
1216052	2043500653 *	SILENTBLOCK BUSHING		
1216053	2043500553 *	SILENTBLOCK BUSHING		
1216426	A2043510342	SUPPORTO ASSALE AXLE SUPPORT		

GLK CLASS (GLK 200 - GLK 350)

DESTRO
RIGHT



SINISTRO
LEFT

M CLASS (ML 230 > ML 430)

163

1998 > 2005

Asse Anteriore



Front Axle



i 1) > CH. A 145272 - X 707755

OCAP	O.E.		i	
0281953	1633300403	TESTA STERZO TIE ROD END		
0291953	1633300103	TESTA STERZO TIE ROD END		
0381951	1633300507	BRACCIO OSCILLANTE - INFERIORE - ACCIAIO TRACK CONTROL ARM - LOWER - STEEL	1)	
0381952	1633330101	BRACCIO OSCILLANTE - SUPERIORE - ALLUMINIO TRACK CONTROL ARM - UPPER - ALUMINIUM		
0391951	1633300407	BRACCIO OSCILLANTE - INFERIORE - ACCIAIO TRACK CONTROL ARM - LOWER - STEEL	1)	
0391952	1633330001	BRACCIO OSCILLANTE - SUPERIORE - ALLUMINIO TRACK CONTROL ARM - UPPER - ALUMINIUM		
0401951	1633300135	SNODO SOSPENSIONE SUSPENSION JOINT		
0601954	1633380215	SNODO ASSIALE AXIAL JOINT		
0901956	1633300175	KIT SILENTBLOCK CENTRALE SUSPENSION BUSHING KIT - CENTRAL		
0901957	910105012001 *	KIT RIPARAZIONE BRACCIO REPAIRING KIT CONTROL ARM		
1215516	1633300075	SILENTBLOCK CENTRALE CENTRAL BUSHING		
1215517	1633330101 *	SILENTBLOCK CENTRALE CENTRAL BUSHING		

DESTRO
RIGHT

 SINISTRO
LEFT

M CLASS (ML 230 > ML 430)

163

1998 > 2005

Asse Anteriore



Front Axle


0981966
1215814

0902595

1215814

0991966

Asse Posteriore



Rear Axle


0382341

1215517

1215517

0392341

0901956

0901956

0402347
0382204

1215788

1215788

0392204

0402347

0502347

0902204

0502347


OCAP	O.E.		i	
0382204	1633500653	BRACCIO OSCILLANTE - INFERIORE TRACK CONTROL ARM - LOWER		
0382341	1633520501	BRACCIO OSCILLANTE - SUPERIORE - ALLUMINIO TRACK CONTROL ARM - ALUMINIUM		
0392204	1633500553	BRACCIO OSCILLANTE - INFERIORE TRACK CONTROL ARM - LOWER		
0392341	1633520401	BRACCIO OSCILLANTE - SUPERIORE - ALLUMINIO TRACK CONTROL ARM - ALUMINIUM		
0402347	1633500113	SNODO SOSPENSIONE INFERIORE LOWER BALL JOINT		
0502347	1633200032	STABILIZZATORE STABILIZER LINK		
0901956	1633300175	KIT SILENTBLOCK CENTRALE SUSPENSION BUSHING KIT - CENTRAL		
0902204	1633500606	KIT RIPARAZIONE BRACCIO INFERIORE TRACK CONTROL ARM KIT - LOWER		
0902595	1633300275	KIT SILENTBLOCK SOSPENSIONE ANTERIORE REPAIRING KIT FRONT SUSPENSION		
0981966	1633200090	KIT BARRA STABILIZZATRICE KIT STABILIZING BAR		
0991966	1633200190	KIT BARRA STABILIZZATRICE KIT STABILIZING BAR		
1215517	1633330101 *	SILENTBLOCK CENTRALE CENTRAL BUSHING		
1215788	1633500653 *	SILENTBLOCK BRACCIO INFERIORE TRACK CONTROL ARM BUSHING - LOWER		
1215814	1633300275 *	SILENTBLOCK SOSPENSIONE ANTERIORE FRONT SUSPENSION BUSHING		

M CLASS (ML 280 > ML 500)

DESTRO
RIGHT



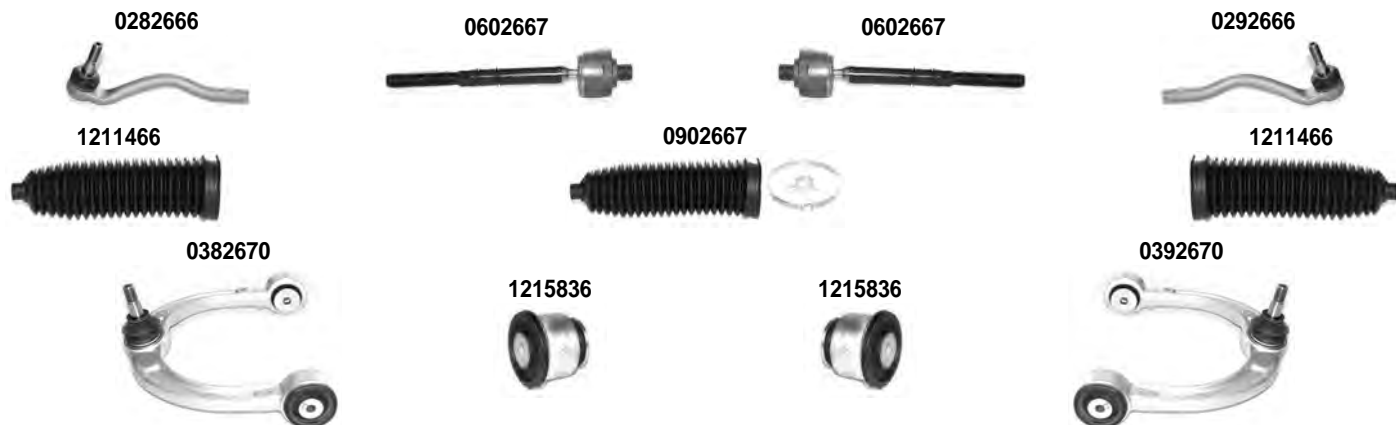
SINISTRO
LEFT

M CLASS (ML 280 > ML 500) GL CLASS (GL 320 > GL 500)	164 164	07/2005 > 2011 09/2006 > 2012
---	------------	----------------------------------

Asse Anteriore



Front Axle



OCAP	O.E.			
0282666	1643301203	TESTA STERZO TIE ROD END		RHT M14x1,5
0292666	1643301103	TESTA STERZO TIE ROD END		RHT M14x1,5
0382670	2513300807	BRACCIO OSCILLANTE - SUPERIORE TRACK CONTROL ARM - UPPER		
0392670	2513300707	BRACCIO OSCILLANTE - SUPERIORE TRACK CONTROL ARM - UPPER		
0602667	1644600005	SNODO ASSIALE AXIAL JOINT		RHT M14x1,5
0902667	1644600096	KIT CUFFIA STERZO STEERING GAITER KIT		
1211466	1644600096 *	CUFFIA STERZO STEERING GAITER		
1215836	1663330000	SILENTBLOCK BRACCIO OSCILLANTE TRACK CONTROL ARM BUSHING		

DESTRO
RIGHT

 SINISTRO
LEFT

M CLASS (ML 280 > ML 500)
GL CLASS (GL 320 > GL 500)

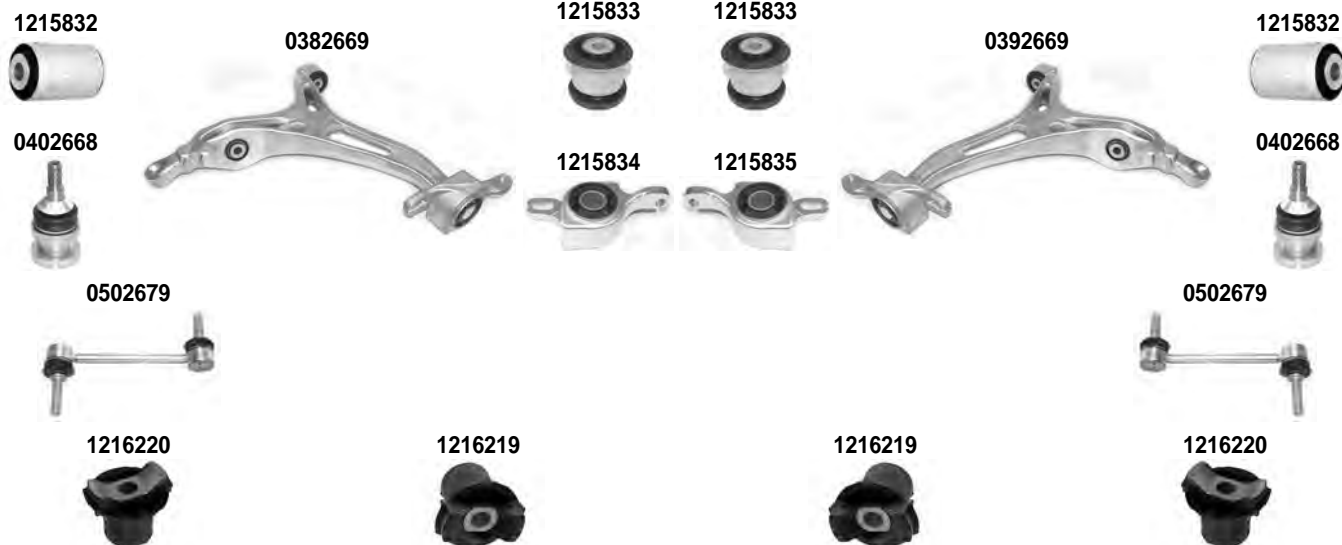
 164
164

 07/2005 > 2011
09/2006 > 2012

Asse Anteriore



Front Axle



OCAP	O.E.		
0382669	1643303507	BRACCIO OSCILLANTE - INFERIORE - GHISA <i>TRACK CONTROL ARM - LOWER - CAST IRON</i>	
0392669	1643303407	BRACCIO OSCILLANTE - INFERIORE - GHISA <i>TRACK CONTROL ARM - LOWER - CAST IRON</i>	
0402668	1643300935	SNODO SOSPENSIONE - INFERIORE <i>BALL JOINT - LOWER</i>	
0502679	1643202132	STABILIZZATORE <i>STABILIZER LINK</i>	
1215832	1643330314	SILENTBLOCK BRACCIO OSCILLANTE - LATO SNODO <i>TRACK CONTROL ARM BUSHING - BALL JOINT SIDE</i>	
1215833	1643330414	SILENTBLOCK BRACCIO OSCILLANTE - CENTRALE <i>TRACK CONTROL ARM BUSHING - CENTRAL</i>	
1215834	1643303407 *	SILENTBLOCK BRACCIO OSCILLANTE - ESTREMO <i>TRACK CONTROL ARM BUSHING - OUTER</i>	
1215835	1643303507 **	SILENTBLOCK BRACCIO OSCILLANTE - ESTREMO <i>TRACK CONTROL ARM BUSHING - OUTER</i>	
1216219	1663310042	SILENTBLOCK ASSE - ANTERIORE <i>AXLE BUSHING - FRONT</i>	
1216220	1663310142	SILENTBLOCK ASSE - POSTERIORE <i>AXLE BUSHING - REAR</i>	

DESTRO
RIGHT



SINISTRO
LEFT

M CLASS (ML 280 > ML 500)
GL CLASS (GL 320 > GL 500)

164
164

07/2005 > 2011
09/2006 > 2012

Asse Posteriore



Rear Axle

0402672



1215838



1215839



1215839



1215052



0502676



0382672



0302673



0782674



0502675



1215837



1215840



1215840



1215052



1215837



1215840



1215840



1215052



0392672



0302673



0792674



0502675



0402672



1215838



1215839



1215839



1215052



0502676



OCAP	O.E.			
0302673	1643501406	BRACCIO OSCILLANTE - SUPERIORE TRACK CONTROL ARM - UPPER		
0382672	1643502006	BRACCIO OSCILLANTE - INFERIORE - ALLUMINIO TRACK CONTROL ARM - LOWER - ALUMINIUM		
0392672	1643501906	BRACCIO OSCILLANTE - INFERIORE - ALLUMINIO TRACK CONTROL ARM - LOWER - ALUMINIUM		
0402672	1643520327	SNODO SOSPENSIONE - INFERIORE BALL JOINT - LOWER		
0502675	1643500053	BARRA SOSPENSIONE SUSPENSION BAR		
0502676	1643201232	STABILIZZATORE STABILIZER LINK		
0782674	1643501606	BRACCIO OSCILLANTE - SUPERIORE TRACK CONTROL ARM - UPPER		
0792674	1643501306	BRACCIO OSCILLANTE - SUPERIORE TRACK CONTROL ARM - UPPER		
1215052	2013528865	SILENTBLOCK BARRA SOSPENSIONE SUSPENSION BAR BUSHING		
1215837	1643520165	SILENTBLOCK BRACCIO INFERIORE - ESTREMO LOWER CONTROL ARM BUSHING - OUTER		
1215838	1643260681	SILENTBLOCK BRACCIO INFERIORE - LATO SNODO LOWER CONTROL ARM BUSHING - BALL JOINT SIDE		
1215839	1643501606 *	SILENTBLOCK BRACCI OSCILLANTI TRACK CONTROL ARMS BUSHING		
1215840	1643501306 *	SILENTBLOCK BRACCI OSCILLANTI TRACK CONTROL ARMS BUSHING		

DESTRO
RIGHT



SINISTRO
LEFT

M CLASS (ML 300 > ML 63 AMG)
GL CLASS (GL 350 > GL 63 AMG)

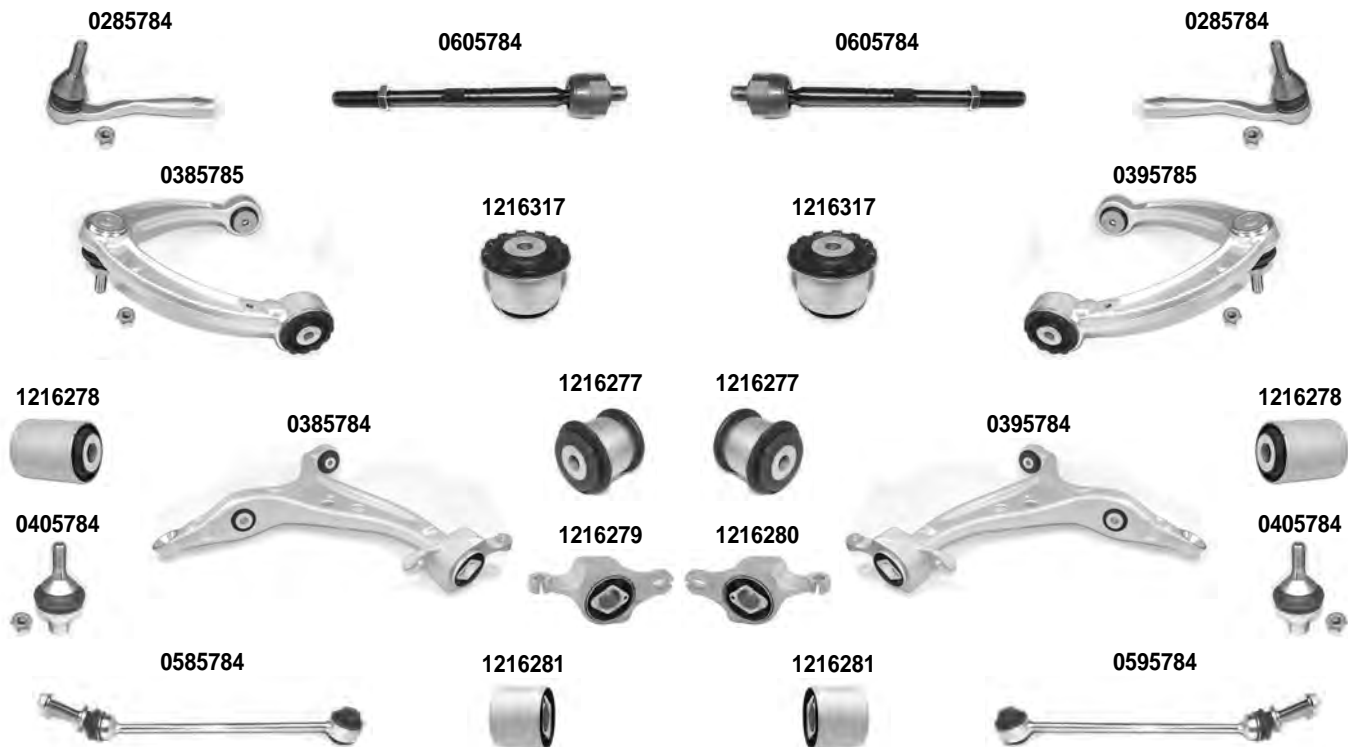
W166
X166

06/2011 >
07/2012 >

Asse Anteriore



Front Axle



OCAP	O.E.			
0285784	1663300403	TESTA STERZO TIE ROD END		RHT M16x1,5
0385784	1663300207	BRACCIO OSCILLANTE - INFERIORE - ALLUMINIO TRACK CONTROL ARM - LOWER - ALUMINIUM		
0385785	1663301807	BRACCIO OSCILLANTE - SUPERIORE - ALLUMINIO TRACK CONTROL ARM - UPPER - ALUMINIUM		
0395784	1663300107	BRACCIO OSCILLANTE - INFERIORE - ALLUMINIO TRACK CONTROL ARM - LOWER - ALUMINIUM		
0395785	1663301707	BRACCIO OSCILLANTE - SUPERIORE - ALLUMINIO TRACK CONTROL ARM - UPPER - ALUMINIUM		
0405784	1663300235	SNODO SOSPENSIONE INFERIORE LOWER BALL JOINT		
0585784	1663200889	STABILIZZATORE STABILIZER LINK		
0595784	1663200789	STABILIZZATORE STABILIZER LINK		
0605784	1663380315	SNODO ASSIALE AXIAL JOINT		RHT M16x1,5
1216277	1663330414	SILENTBLOCK - CENTRALE BUSHING - CENTRAL		
1216278	1663330214	SILENTBLOCK - LATO SNODO BUSHING - BALL JOINT SIDE		
1216279	1663300243	SILENTBLOCK - ESTREMO BUSHING - OUTER		
1216280	1663300143	SILENTBLOCK - ESTREMO BUSHING - OUTER		
1216281	1663300243 *	SILENTBLOCK - ESTREMO BUSHING - OUTER		
1216317	1663301807 *	SILENTBLOCK BUSHING		

M CLASS (ML 300 > ML 63 AMG)

M CLASS (ML 300 > ML 63 AMG)

DESTRO
RIGHT



SINISTRO
LEFT

M CLASS (ML 300 > ML 63 AMG)
GL CLASS (GL 350 > GL 63 AMG)

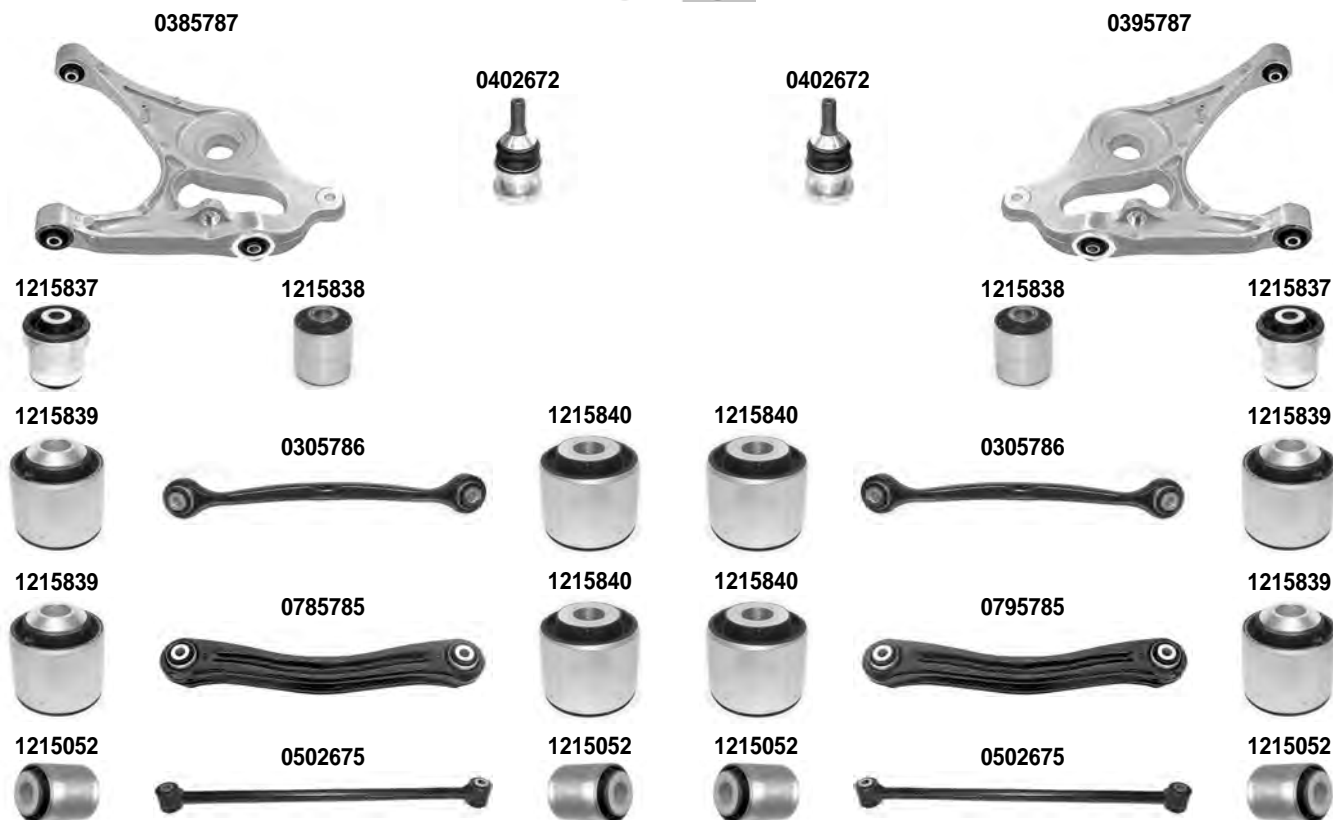
W166
X166

06/2011 >
07/2012 >

Asse Posteriore



Rear Axle



OCAP	O.E.			
0305786	1663500306	BRACCIO OSCILLANTE - SUPERIORE TRACK CONTROL ARM - UPPER		
0385787	1663501006	BRACCIO OSCILLANTE - INFERIORE - ALLUMINIO TRACK CONTROL ARM - LOWER - ALUMINIUM		
0395787	1663500906	BRACCIO OSCILLANTE - INFERIORE - ALLUMINIO TRACK CONTROL ARM - LOWER - ALUMINIUM		
0402672	1643520127	SNODO SOSPENSIONE - INFERIORE BALL JOINT - LOWER		
0502675	1643500053	BARRA SOSPENSIONE SUSPENSION BAR		
0785785	1663500206	BRACCIO OSCILLANTE - SUPERIORE TRACK CONTROL ARM - UPPER		
0795785	1663500106	BRACCIO OSCILLANTE - SUPERIORE TRACK CONTROL ARM - UPPER		
1215052	2013528865	SILENTBLOCK BARRA SOSPENSIONE SUSPENSION BAR BUSHING		
1215837	1643520165	SILENTBLOCK BRACCIO INFERIORE - ESTREMO LOWER CONTROL ARM BUSHING - OUTER		
1215838	1643260681	SILENTBLOCK BRACCIO INFERIORE - LATO SNODO LOWER CONTROL ARM BUSHING - BALL JOINT SIDE		
1215839	1643501606 *	SILENTBLOCK BUSHING		
1215840	1643501306 *	SILENTBLOCK BUSHING		

DESTRO
RIGHT

 SINISTRO
LEFT

M CLASS (ML 300 > ML 63 AMG)
GL CLASS (GL 350 > GL 63 AMG)

 W166
X166

 06/2011 >
07/2012 >



Asse Posteriore



Rear Axle

0502676

0502676


OCAP	O.E.		i	
0502676	1643201232	STABILIZZATORE STABILIZER LINK		

DESTRO
RIGHT



SINISTRO
LEFT

R CLASS (R 350 > R 500)

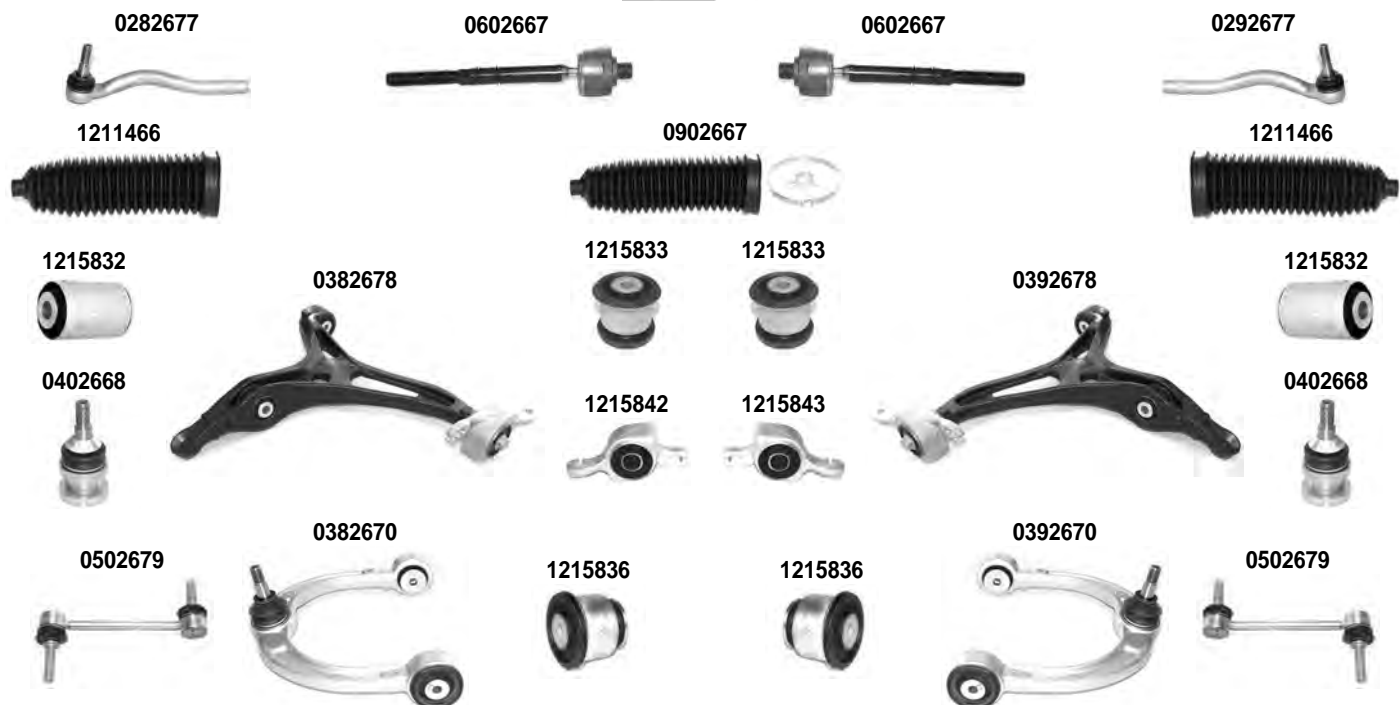
251

01/2006 >

Asse Anteriore



Front Axle



OCAP	O.E.			
0282677	2513300803	TESTA STERZO TIE ROD END		RHT M14x1,5
0292677	2513300703	TESTA STERZO TIE ROD END		RHT M14x1,5
0382670	2513300807	BRACCIO OSCILLANTE - SUPERIORE TRACK CONTROL ARM - UPPER		
0382678	2513301407	BRACCIO OSCILLANTE - INFERIORE - GHISA TRACK CONTROL ARM - LOWER - CAST IRON		
0392670	2513300707	BRACCIO OSCILLANTE - SUPERIORE TRACK CONTROL ARM - UPPER		
0392678	2513301307	BRACCIO OSCILLANTE - INFERIORE - GHISA TRACK CONTROL ARM - LOWER - CAST IRON		
0402668	1643300935	SNODO SOSPENSIONE - INFERIORE BALL JOINT - LOWER		
0502679	1643202132	STABILIZZATORE STABILIZER LINK		
0602667	1644600005	SNODO ASSIALE AXIAL JOINT		RHT M14x1,5
0902667	1644600096	KIT CUFFIA STERZO STEERING GAITER KIT		
1211466	1644600096 *	CUFFIA STERZO STEERING GAITER		
1215832	1643330314	SILENTBLOCK BRACCIO OSCILLANTE - LATO SNODO TRACK CONTROL ARM BUSHING - BALL JOINT SIDE		
1215833	1643330414	SILENTBLOCK BRACCIO OSCILLANTE - CENTRALE TRACK CONTROL ARM BUSHING - CENTRAL		
1215836	1663330000	SILENTBLOCK BRACCIO OSCILLANTE TRACK CONTROL ARM BUSHING		
1215842	2513300843	SILENTBLOCK BRACCIO OSCILLANTE - ESTREMO TRACK CONTROL ARM BUSHING - OUTER		
1215843	2513300743	SILENTBLOCK BRACCIO OSCILLANTE - ESTREMO TRACK CONTROL ARM BUSHING - OUTER		

DESTRO
RIGHT



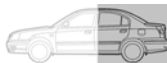
SINISTRO
LEFT

R CLASS (R 350 > R 500)

251

01/2006 >

Asse Posteriore



Rear Axle

0402672



0382672



0392672



0402672



1215838



1215837



1215837



1215838



1215839



1215840



1215840



1215839



0302673



0302673



1215839



1215840



1215840



1215839



0782674



0792674



1215052



1215052



1215052



1215052



0502675



0502675



0502676



0502676



OCAP	O.E.		i	
0302673	1643501406	BRACCIO OSCILLANTE - SUPERIORE TRACK CONTROL ARM - UPPER		
0382672	1643502006	BRACCIO OSCILLANTE - INFERIORE - ALLUMINIO TRACK CONTROL ARM - LOWER - ALUMINIUM		
0392672	1643501906	BRACCIO OSCILLANTE - INFERIORE - ALLUMINIO TRACK CONTROL ARM - LOWER - ALUMINIUM		
0402672	1643520327	SNODO SOSPENSIONE - INFERIORE BALL JOINT - LOWER		
0502675	1643500053	BARRA SOSPENSIONE SUSPENSION BAR		
0502676	1643201232	STABILIZZATORE STABILIZER LINK		
0782674	1643501606	BRACCIO OSCILLANTE - SUPERIORE TRACK CONTROL ARM - UPPER		
0792674	1643501306	BRACCIO OSCILLANTE - SUPERIORE TRACK CONTROL ARM - UPPER		
1215052	2013528865	SILENTBLOCK BARRA SOSPENSIONE SUSPENSION BAR BUSHING		
1215837	1643520165	SILENTBLOCK BRACCIO INFERIORE - ESTREMO LOWER CONTROL ARM BUSHING - OUTER		
1215838	1643260681	SILENTBLOCK BRACCIO INFERIORE - LATO SNODO LOWER CONTROL ARM BUSHING - BALL JOINT SIDE		
1215839	1643501606 *	SILENTBLOCK BRACCI OSCILLANTI TRACK CONTROL ARMS BUSHING		
1215840	1643501306 *	SILENTBLOCK BRACCI OSCILLANTI TRACK CONTROL ARMS BUSHING		

S CLASS (280 S > 450 SEL 6.9)

DESTRO
RIGHT



SINISTRO
LEFT

S CLASS (280 S > 450 SEL 6.9)

116

1972 > 1980

Asse Anteriore



Front Axle

0500711



OCAP	O.E.			
0180282	0003385210	TESTA STERZO - ESTERNA TIE ROD END OUTER		RHT M14x1,5
0190282	0003385010	TESTA STERZO - INTERNA TIE ROD END INNER		LHT M14x1,5
0380130	1233304707	BRACCIO OSCILLANTE - INFERIORE - ALLUMINIO TRACK CONTROL ARM LOWER - ALUMINIUM		
0390130	1233304607	BRACCIO OSCILLANTE - INFERIORE - ALLUMINIO TRACK CONTROL ARM LOWER - ALUMINIUM		
0400715	1163330927	SNODO SOSPENSIONE - INFERIORE SUSPENSION JOINT - LOWER		M 14x1,5
0500711	1234601505	BARRA STERZO TIE ROD		
0501120	1263300503	BARRA STERZO TIE ROD		
1215001	1163336314	SILENTBLOCK ESTREMO OUTER BUSHING		
1215122	1163334014	SILENTBLOCK CENTRALE CENTRAL BUSHING		

DESTRO
RIGHT

 SINISTRO
LEFT

S CLASS (280 S > 450 SEL 6.9)

116

1972 > 1980

Asse Anteriore



Front Axle



0500716

0900130

0900131

0500716


i 1) N. 2 x RIF. 1165860133

OCAP	O.E.		i	
0500716	1153201589	STABILIZZATORE STABILIZER LINK		
0900130	1165860133	KIT RIPARAZIONE REPAIRING KIT		
0900131	1165860133 *	KIT RIPARAZIONE REPAIRING KIT	1)	

DESTRO
RIGHT



SINISTRO
LEFT

S CLASS (260 SE > 560 SEC)

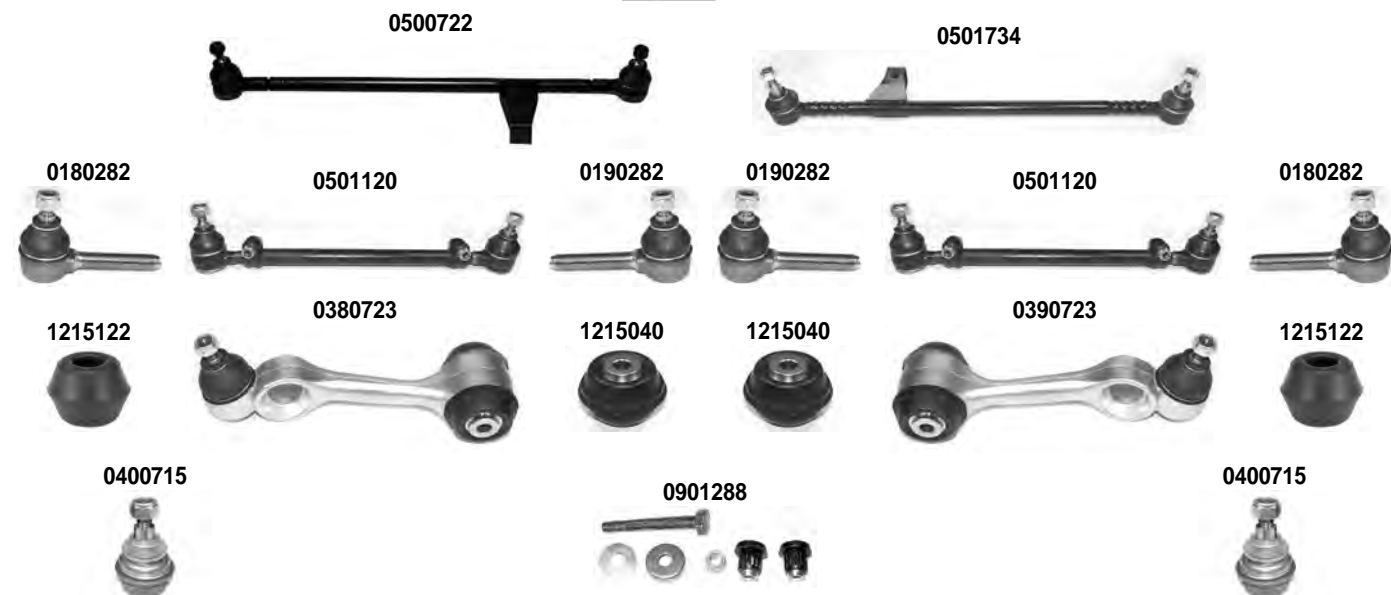
126

1980 >

Asse Anteriore



Front Axle



OCAP	O.E.		
0180282	0003385210	TESTA STERZO - ESTERNA TIE ROD END OUTER	RHT M14x1,5
0190282	0003385010	TESTA STERZO - INTERNA TIE ROD END INNER	LHT M14x1,5
0380723	1263300707	BRACCIO OSCILLANTE - ALLUMINIO - SUPERIORE TRACK CONTROL ARM - ALUMINIUM - UPPER	
0390723	1263300607	BRACCIO OSCILLANTE - ALLUMINIO - SUPERIORE TRACK CONTROL ARM - ALUMINIUM - UPPER	
0400715	1163330927	SNODO SOSPENSIONE - INFERIORE SUSPENSION JOINT - LOWER	M 14x1,5
0500722	1264600805	BARRA STERZO - L H D TIE ROD - L H D	
0501120	1263300503	BARRA STERZO TIE ROD	
0501734	1264600905	BARRA STERZO - R H D TIE ROD - R H D	
0901288	1264600819	KIT RINVIO STERZO RETURN STEERING KIT	
1215040	1263333814	SILENTBLOCK ESTREMO OUTER BUSHING	
1215122	1163334014	SILENTBLOCK CENTRALE CENTRAL BUSHING	

DESTRO
RIGHT

 SINISTRO
LEFT

S CLASS (260 SE > 560 SEC)

126

1980 >

Asse Anteriore



Front Axle



i 1) N. 2 x RIF. 1233301375 3) N. 2 x RIF. 0901705	2) > CH. A386607
--	------------------

OCAP	O.E.		i	
0400724	1263301135 *	SUPPORTO SOSPENSIONE SUPPORT SUSPENSION JOINT		
0500671	1233200989	STABILIZZATORE IN RESINA STABILIZER LINK - RESIN VERSION		
0901705	1263333814 *	KIT RIPARAZIONE BRACCIO OSCILLANTE - SUPERIORE REPAIRING KIT - CONTROL ARM - UPPER		
0901706	1263333814 **	KIT RIPARAZIONE BRACCIO OSCILLANTE - SUPERIORE REPAIRING KIT - CONTROL ARM - UPPER	3)	
0901731	1233301375	KIT RIPARAZIONE REPAIRING KIT		
0901732	1233301375 *	KIT RIPARAZIONE REPAIRING KIT	1)	
0902367	1263300075	KIT RIPARAZIONE - INFERIORE REPAIRING KIT - LOWER		
0400724-K	1263301135	KIT SUPPORTO SOSPENSIONE KIT SUPPORT SUSPENSION JOINT	2)	

DESTRO
RIGHT



SINISTRO
LEFT

S CLASS (300 SE > 600 SEC)

140

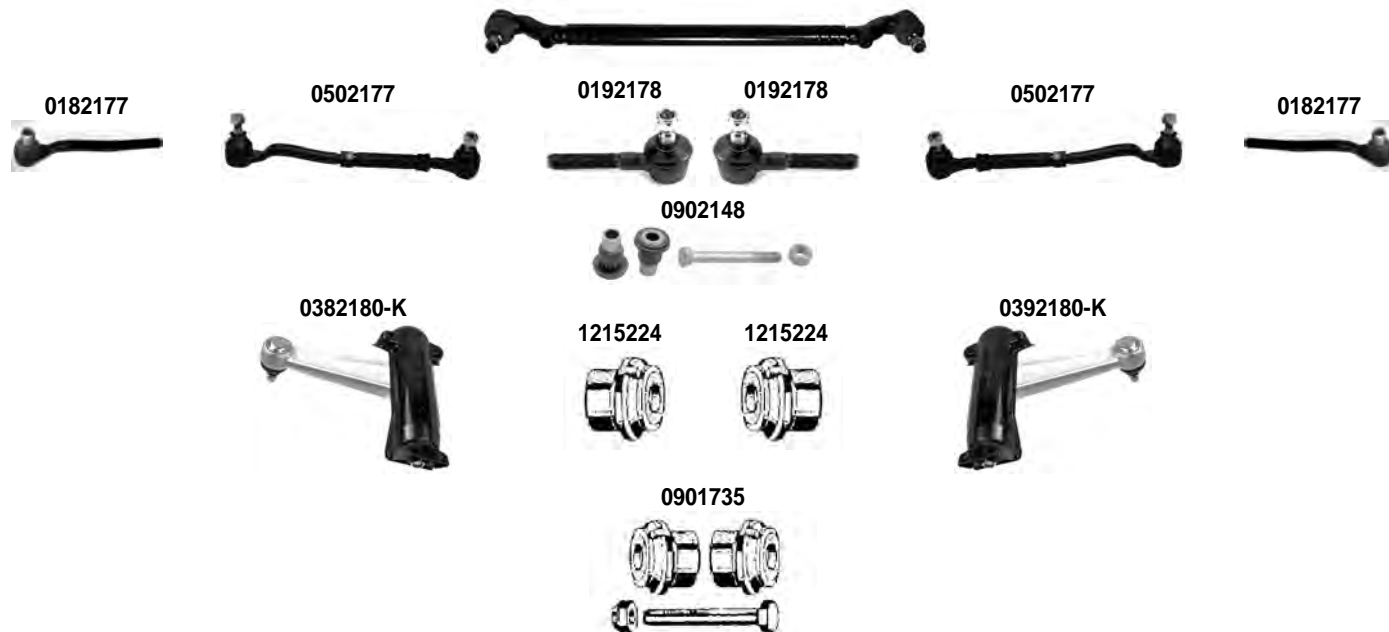
1991 > 1998

Asse Anteriore



Front Axle

0502176



OCAP	O.E.			
0182177	0013306235	TESTA STERZO - ESTERNA TIE ROD END OUTER		RHT M16x1,5
0192178	0013306335	TESTA STERZO - INTERNA TIE ROD END INNER		LHT M16x1,5
0502176	1404600805	BARRA STERZO TIE ROD		
0502177	1403300003	BARRA STERZO TIE ROD		
0901735	1403307707 **	KIT RIPARAZIONE BRACCIO OSCILLANTE REPAIRING KIT CONTROL ARM		
0902148	2404600419	KIT STERZO STEERING KIT		
1215224	1403307707 *	SILENTBLOCK BUSHING		
0382180-K	1403307707	BRACCIO OSCILLANTE COMPLETO SUPERIORE - ALLUMINIO COMPLETE TRACK CONTROL ARM - UPPER - ALUMINIUM		
0392180-K	1403307607	BRACCIO OSCILLANTE COMPLETO SUPERIORE - ALLUMINIO COMPLETE TRACK CONTROL ARM - UPPER - ALUMINIUM		

DESTRO
RIGHT



SINISTRO
LEFT

S CLASS (300 SE > 600 SEC)

140

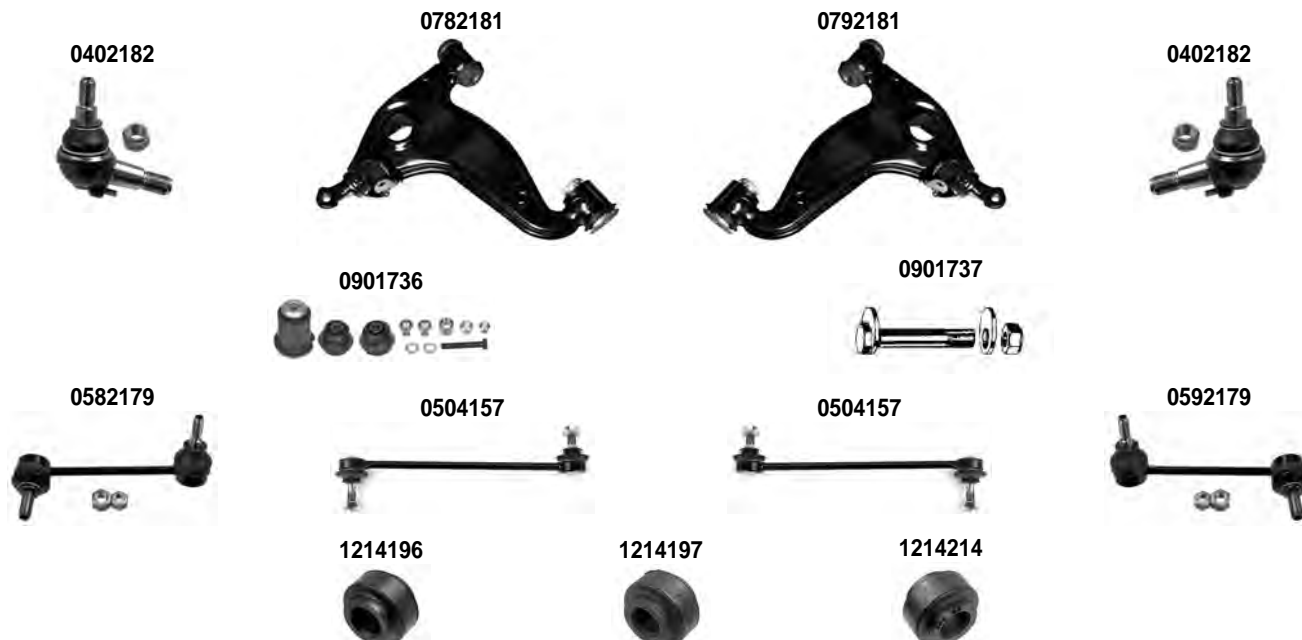
1991 > 1998

Asse Anteriore



Front Axle

S CLASS (300 SE > 600 SEC)



i 1) VERSIONI SPECIALI - SPECIAL MODELS

OCAP	O.E.		i	
0402182	1403330327	SNODO SOSPENSIONE SUSPENSION JOINT		
0504157	1403201789	STABILIZZATORE STABILIZER LINK	1)	
0582179	1403201289	STABILIZZATORE STABILIZER LINK		
0592179	1403201189	STABILIZZATORE STABILIZER LINK		
0782181	1403307107	BRACCIO OSCILLANTE - INFERIORE TRACK CONTROL ARM - LOWER		
0792181	1403307007	BRACCIO OSCILLANTE - INFERIORE TRACK CONTROL ARM - LOWER		
0901736	1403308207	KIT RIPARAZIONE BRACCIO OSCILLANTE REPAIRING KIT CONTROL ARM		
0901737	1403300018	KIT RIPARAZIONE BRACCIO OSCILLANTE REPAIRING KIT CONTROL ARM		
1214196	1403231085	SILENTBLOCK BARRA STABILIZZATRICE STABILIZING BAR BUSHING		DIAM. 28 mm.
1214197	1403230985	SILENTBLOCK BARRA STABILIZZATRICE STABILIZING BAR BUSHING		DIAM. 26 mm.
1214214	1403231485	SILENTBLOCK BARRA STABILIZZATRICE STABILIZING BAR BUSHING		DIAM. 30 mm.

DESTRO
RIGHT



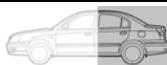
SINISTRO
LEFT

S CLASS (300 SE > 600 SEC)

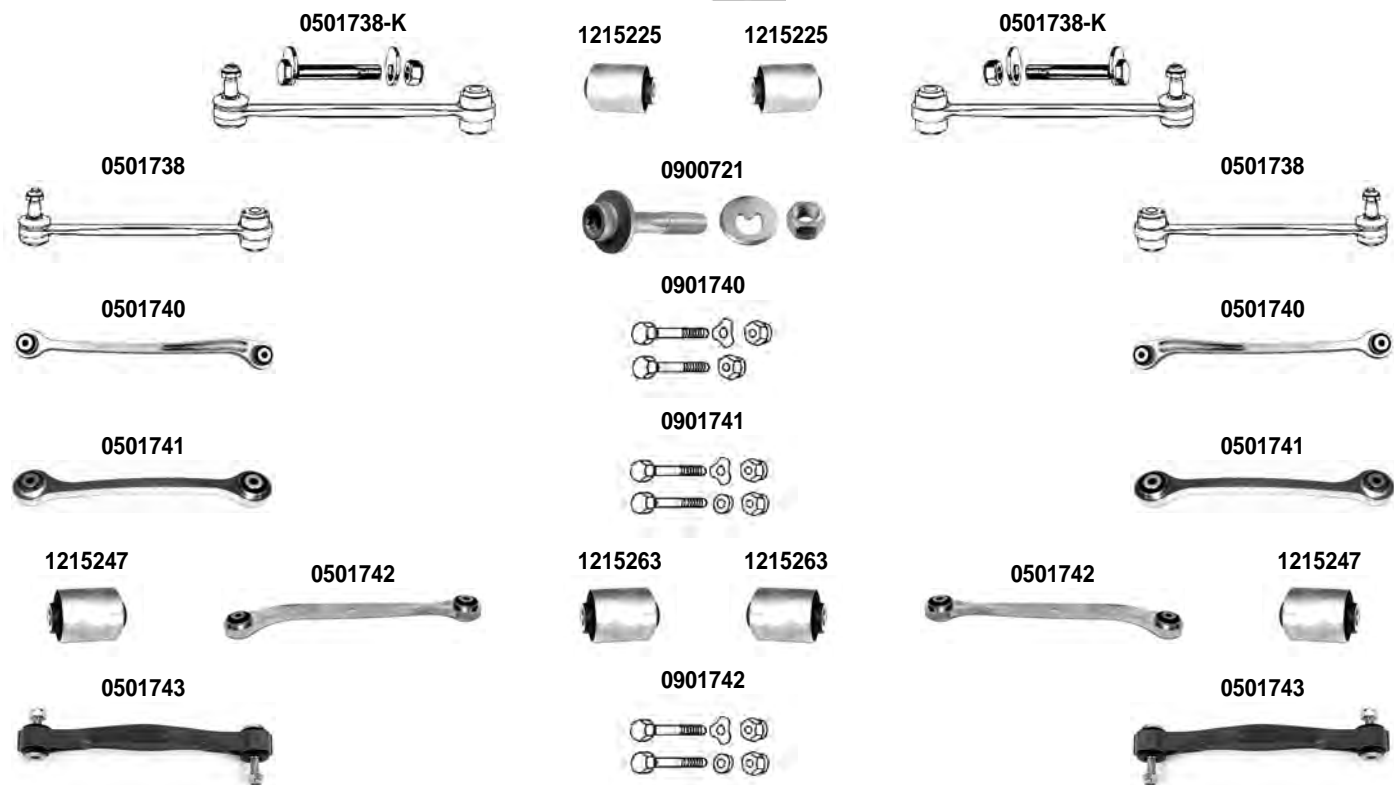
140

1991 > 1998

Asse Posteriore



Rear Axle



OCAP	O.E.			
0501738	1403502453	BRACCIO SOSPENSIONE COMPLETO CROSS ROD COMPLETE		
0501740	1403503406	BRACCIO SOSPENSIONE - ALLUMINIO STRUT ARM - ALUMINIUM		
0501741	1403503606	BRACCIO SOSPENSIONE - ALLUMINIO TRACK ROD - ALUMINIUM		
0501742	1403503506	BRACCIO SOSPENSIONE - ALLUMINIO TORQUE ROD - ALUMINIUM		
0501743	1403203589	STABILIZZATORE STABILIZER LINK		
0900721	1403501170	KIT BRACCIO SOSPENSIONE SUSPENSION ARM KIT		
0901740	1403505406	KIT BRACCIO SOSPENSIONE KIT STRUT ARM		
0901741	1403506006	KIT BRACCIO SOSPENSIONE KIT TRACK ROD		
0901742	1403506006	KIT BRACCIO SOSPENSIONE KIT TORQUE ROD		
1215225	1403528465	SILENTBLOCK BUSHING		
1215247	1403503506 *	SILENTBLOCK BUSHING		12 mm.
1215263	1403503506 **	SILENTBLOCK BUSHING		13 mm.
0501738-K	1403502453 *	BRACCIO SOSPENSIONE COMPLETO CON KIT CROSS ROD COMPLETE WITH KIT		

DESTRO
RIGHT



SINISTRO
LEFT

S CLASS (S 280 > S 600)

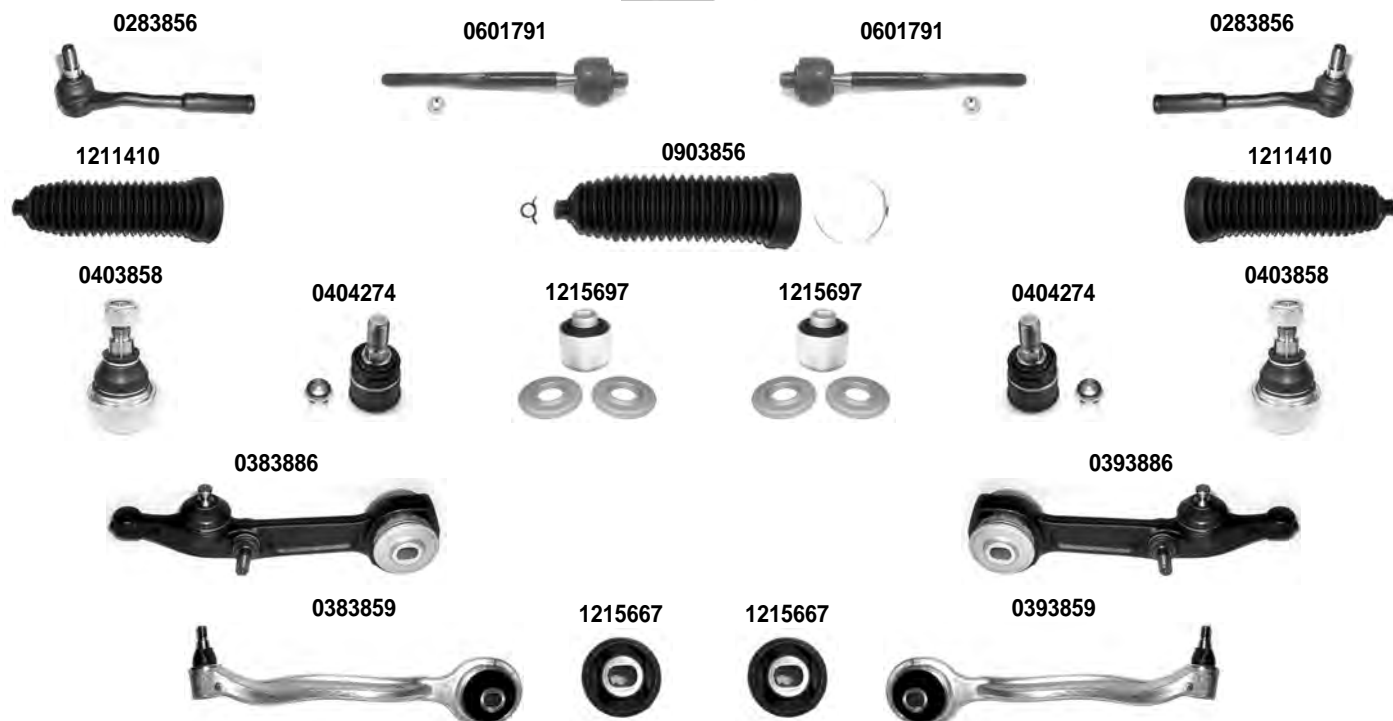
220

1999 > 08/2005

Asse Anteriore



Front Axle



S CLASS (S 280 > S 600)

i 1) ECCEETTO 4-MATIC - EXCEPT 4-MATIC 2) ACCIAIO ESCLUSI MOD. ACTIVE BODY CONTROL E VERS. SPECIALI - STEEL EXCEPT MOD. ACTIVE BODY CONTROL AND SPECIAL VERSION

OCAP	O.E.		i	
0283856	2303300203	TESTA STERZO TIE ROD END	1)	RHT M14x1,5
0383859	2203305811	BRACCIO SOSPENSIONE - INFERIORE - ALLUMINIO CONTROL ARM - LOWER - ALUMINIUM	1)	
0383886	2203309007	BRACCIO OSCILLANTE - INFERIORE TRACK CONTROL ARM - LOWER	1) 2)	
0393859	2203305711	BRACCIO SOSPENSIONE - INFERIORE - ALLUMINIO CONTROL ARM - LOWER - ALUMINIUM	1)	
0393886	2203308907	BRACCIO OSCILLANTE - INFERIORE TRACK CONTROL ARM - LOWER	1) 2)	
0403858	2113300435	SNODO SOSPENSIONE - INFERIORE BALL JOINT - LOWER	1)	
0404274	2113230068	SNODO CENTRALE - INFERIORE CENTRAL BALL JOINT - LOWER	1)	
0601791	2303380015	SNODO ASSIALE AXIAL JOINT	1)	RHT M14x1,5
0903856	2204601000	KIT CUFFIA STERZO STEERING GAITER KIT	1)	
1211410	2204630296	CUFFIA STERZO STEERING GAITER	1)	
1215667	2203305811 *	SILENTBLOCK BRACCIO SOSPENSIONE CONTROL ARM BUSHING	1)	
1215697	2203333114	SILENTBLOCK BRACCIO - INFERIORE BUSHING - LOWER	1)	

DESTRO
RIGHT



SINISTRO
LEFT

S CLASS (S 280 > S 600)

220

1999 > 08/2005

Asse Anteriore



Front Axle

0903859



0383860



1215668



1215668



0393860



0903860



0383861



1215669



1215669



0393861



0184158



0903861



0194158



i 1) ECCETTO 4-MATIC - EXCEPT 4-MATIC 3) MODELLI CARICO MAGGIORATO - INCREASED WEIGHT MODELS

OCAP	O.E.		i	
0184158	2203201689	PUNTONE BARRA STABILIZZATRICE STABILIZER	1)	
0194158	2203201589	PUNTONE BARRA STABILIZZATRICE STABILIZER	1)	
0383860	2203305211	BRACCIO SOSPENSIONE - INFERIORE - ACCIAIO CONTROL ARM - LOWER - STEEL	1) 3)	
0383861	2203309407	BRACCIO SOSPENSIONE - SUPERIORE - ALLUMINIO CONTROL ARM - UPPER - ALUMINIUM	1)	
0393860	2203305111	BRACCIO SOSPENSIONE - INFERIORE - ACCIAIO CONTROL ARM - LOWER - STEEL	1) 3)	
0393861	2203309307	BRACCIO SOSPENSIONE - SUPERIORE - ALLUMINIO CONTROL ARM - UPPER - ALUMINIUM	1)	
0903859	0003300018	KIT RIPARAZIONE BRACCIO SOSPENSIONE REPAIRING KIT CONTROL ARM	1)	
0903860	2203330074 *	KIT RIPARAZIONE BRACCIO SOSPENSIONE REPAIRING KIT CONTROL ARM	1)	
0903861	0049908104 *	KIT RIPARAZIONE BRACCIO SOSPENSIONE SUPERIORE REPAIRING KIT UPPER CONTROL ARM	1)	
1215668	2203305211 *	SILENTBLOCK BRACCIO SOSPENSIONE CONTROL ARM BUSHING	1) 3)	
1215669	2203309407 *	SILENTBLOCK BRACCIO SOSPENSIONE SUPERIORE CONTROL ARM UPPER BUSHING	1)	

DESTRO
RIGHT



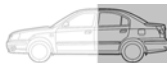
SINISTRO
LEFT

S CLASS (S 280 > S 600)

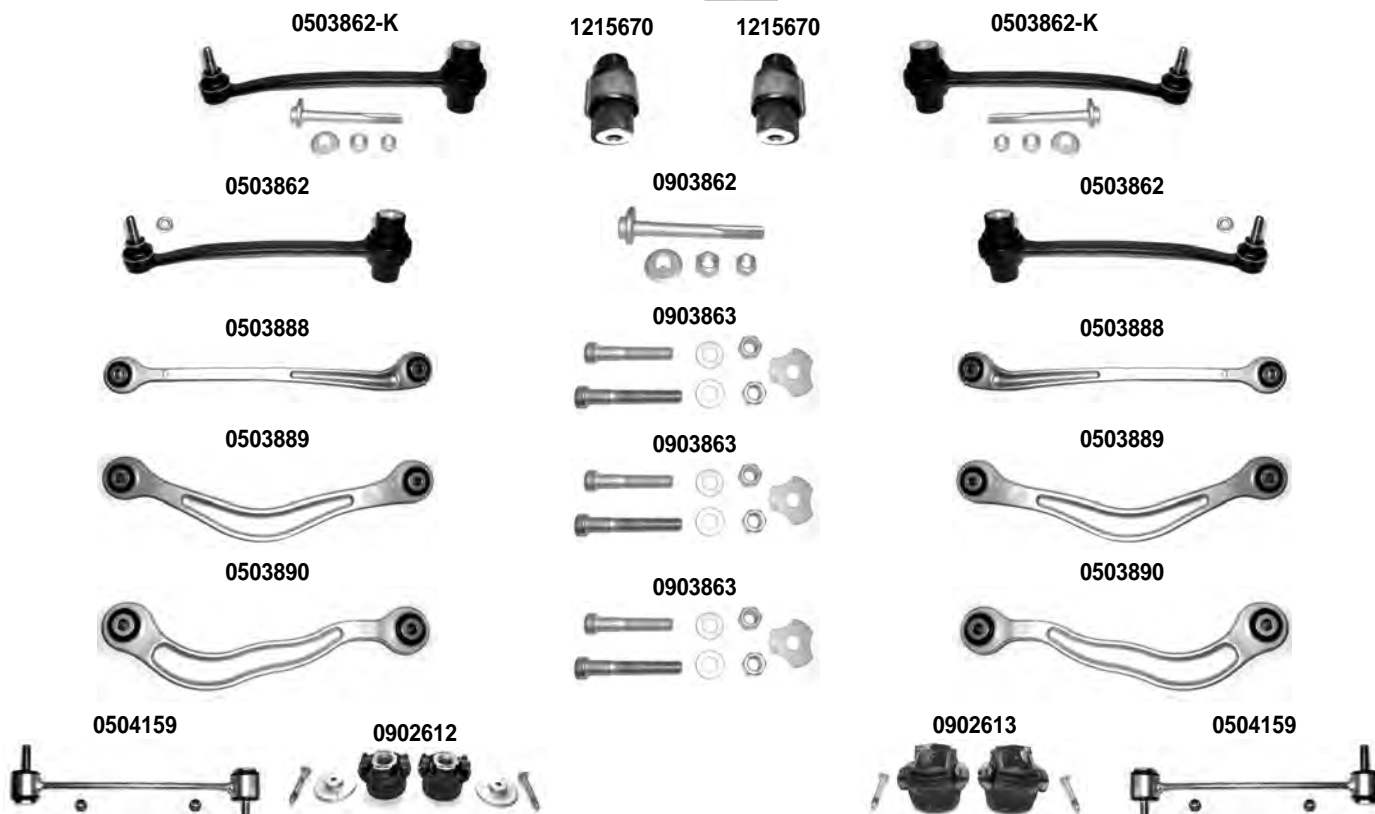
220

1999 > 08/2005

Asse Posteriore



Rear Axle



OCAP	O.E.		
0503862	2203500453 *	BRACCIO SOSPENSIONE - ACCIAIO SUSPENSION ARM - STEEL	
0503888	2203502706	BRACCIO SOSPENSIONE - ALLUMINIO SUSPENSION ARM - ALUMINIUM	
0503889	2203502206	BRACCIO SOSPENSIONE - ALLUMINIO SUSPENSION ARM - ALUMINIUM	
0503890	2203502406	BRACCIO SOSPENSIONE - ALLUMINIO SUSPENSION ARM - ALUMINIUM	
0504159	2203203689	STABILIZZATORE STABILIZER LINK	
0902612	2153500008	KIT SOSPENSIONE SUSPENSION KIT	
0902613	2153500108	KIT SOSPENSIONE SUSPENSION KIT	
0903862	2203500170	KIT BRACCIO SOSPENSIONE KIT SUSPENSION ARM	
0903863	2203503106	KIT BRACCI SOSPENSIONE KIT SUSPENSION ARMS	
1215670	2203520065	SILENTBLOCK BRACCIO SOSPENSIONE SUSPENSION ARM BUSHING	
0503862-K	2203500453	BRACCIO SOSPENSIONE CON KIT - ACCIAIO SUSPENSION ARM WITH KIT - STEEL	

S CLASS (S 280 > S 600)

DESTRO
RIGHT



SINISTRO
LEFT

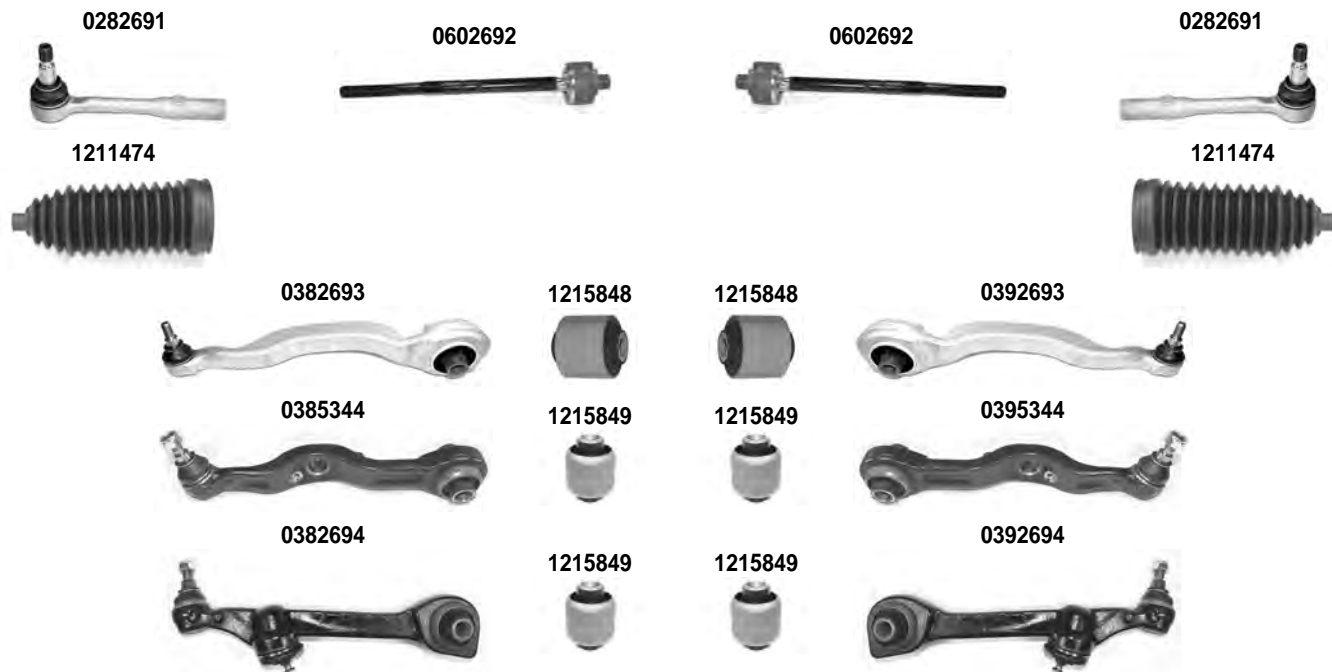
S CLASS (S 350 > S 600)

221

10/2005 > 2013

Asse Anteriore

Front Axle



i 1) ECCEPPO MODELLI CON SOSPENSIONI ABC - EXCEPT ABC SUSPENSION MODELS
 2) SOLO PER MODELLI CON SOSPENSIONI ABC - ONLY FOR ABC SUSPENSION MODELS
 3) ECCEPPO 4-MATIC - EXCEPT 4-MATIC

OCAP	O.E.		
0282691	2213303903	TESTA STERZO TIE ROD END	
0382693	2213302411	BRACCIO OSCILLANTE - INFERIORE - ANTERIORE - ALLUMINIO TRACK CONTROL ARM - LOWER - FRONT - ALUMINIUM	3)
0382694	2213308207	BRACCIO OSCILLANTE - INFERIORE - POSTERIORE - ACCIAIO TRACK CONTROL ARM - LOWER - REAR - STEEL	1) 3)
0385344	2213308807	BRACCIO OSCILLANTE - INFERIORE - POSTERIORE - ACCIAIO TRACK CONTROL ARM - LOWER - REAR - STEEL	2) 3)
0392693	2213302311	BRACCIO OSCILLANTE - INFERIORE - ANTERIORE - ALLUMINIO TRACK CONTROL ARM - LOWER - FRONT - ALUMINIUM	3)
0392694	2213308107	BRACCIO OSCILLANTE - INFERIORE - POSTERIORE - ACCIAIO TRACK CONTROL ARM - LOWER - REAR - STEEL	1) 3)
0395344	2213308707	BRACCIO OSCILLANTE - INFERIORE - POSTERIORE - ACCIAIO TRACK CONTROL ARM - LOWER - REAR - STEEL	2) 3)
0602692	2213301603	SNODO ASSIALE AXIAL JOINT	
1211474	2214630296	CUFFIA STERZO STEERING GAITER	
1215848	2213330814	SILENTBLOCK BUSHING	3)
1215849	2213330714	SILENTBLOCK BUSHING	

DESTRO
RIGHT



SINISTRO
LEFT

S CLASS (S 350 > S 600)

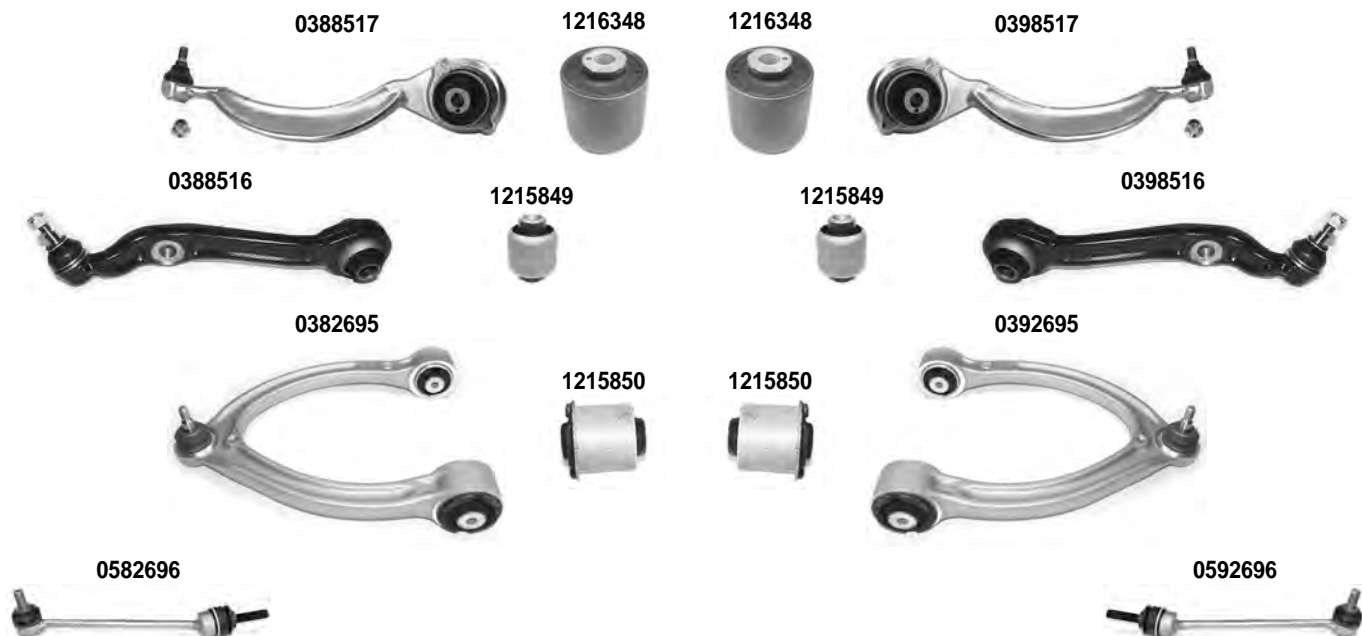
221

10/2005 > 2013

Asse Anteriore



Front Axle



3) ECCETTO 4-MATIC - EXCEPT 4-MATIC		4) 4-MATIC		
OCAP	O.E.			
0382695	2213309007	BRACCIO OSCILLANTE - SUPERIORE - ALLUMINIO TRACK CONTROL ARM - UPPER - ALUMINIUM		
0388516	2213307807	BRACCIO OSCILLANTE - INFERIORE - POSTERIORE TRACK CONTROL ARM - LOWER - REAR	4)	
0388517	2213306611	BRACCIO OSCILLANTE - INFERIORE - ANTERIORE - ALLUMINIO TRACK CONTROL ARM - LOWER - FRONT - ALUMINIUM	4)	
0392695	2213308907	BRACCIO OSCILLANTE - SUPERIORE - ALLUMINIO TRACK CONTROL ARM - UPPER - ALUMINIUM		
0398516	2213307707	BRACCIO OSCILLANTE - INFERIORE - POSTERIORE TRACK CONTROL ARM - LOWER - REAR	4)	
0398517	2213306511	BRACCIO OSCILLANTE - INFERIORE - ANTERIORE - ALLUMINIO TRACK CONTROL ARM - LOWER - FRONT - ALUMINIUM	4)	
0582696	2213200289	STABILIZZATORE STABILIZER LINK	3)	
0592696	2213200189	STABILIZZATORE STABILIZER LINK	3)	
1215849	2213330714	SILENTBLOCK BUSHING		
1215850	2213309007 *	SILENTBLOCK BUSHING		
1216348	2213331914	SILENTBLOCK BUSHING		

S CLASS (S 350 > S 600)

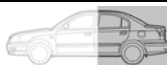
DESTRO
RIGHT



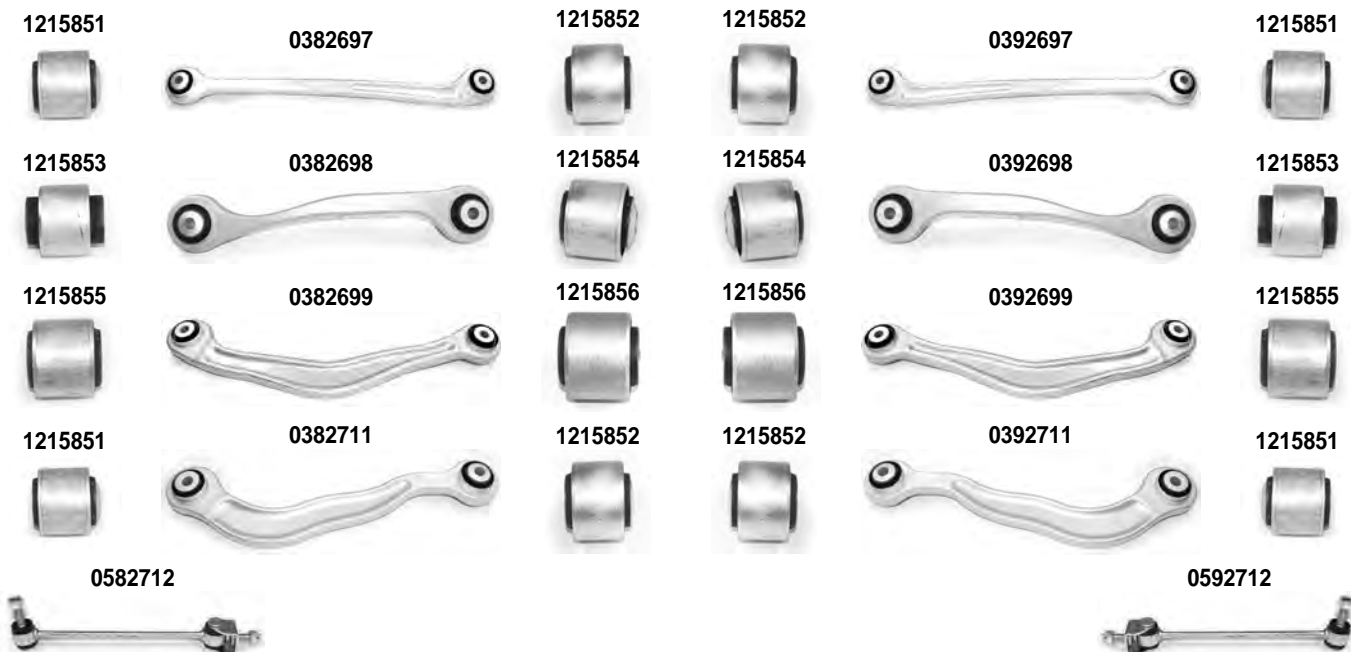
SINISTRO
LEFT

S CLASS (S 350 > S 600)	221	10/2005 > 2013
-------------------------	-----	----------------

Asse Posteriore



Rear Axle



OCAP	O.E.		i	
0382697	2213500806	BRACCIO OSCILLANTE - INFERIORE - ALLUMINIO TRACK CONTROL ARM - LOWER - ALUMINIUM		
0382698	2213501253	BRACCIO OSCILLANTE - INTERMEDIO - ALLUMINIO TRACK CONTROL ARM - MEDIUM - ALUMINIUM		
0382699	2213501006	BRACCIO OSCILLANTE - SUPERIORE - ALLUMINIO TRACK CONTROL ARM - UPPER - ALUMINIUM		
0382711	2213500606	BRACCIO OSCILLANTE - SUPERIORE - ALLUMINIO TRACK CONTROL ARM - UPPER - ALUMINIUM		
0392697	2213500706	BRACCIO OSCILLANTE - INFERIORE - ALLUMINIO TRACK CONTROL ARM - LOWER - ALUMINIUM		
0392698	2213501153	BRACCIO OSCILLANTE - INTERMEDIO - ALLUMINIO TRACK CONTROL ARM - MEDIUM - ALUMINIUM		
0392699	2213500206	BRACCIO OSCILLANTE - SUPERIORE - ALLUMINIO TRACK CONTROL ARM - UPPER - ALUMINIUM		
0392711	2213500406	BRACCIO OSCILLANTE - SUPERIORE - ALLUMINIO TRACK CONTROL ARM - UPPER - ALUMINIUM		
0582712	2213202289	STABILIZZATORE STABILIZER LINK		
0592712	2213201989	STABILIZZATORE STABILIZER LINK		
1215851	2213500706 *	SILENTBLOCK - ESTERNO BUSHING - OUTER		
1215852	2213500806 *	SILENTBLOCK - INTERNO BUSHING - INNER		
1215853	2213501153 *	SILENTBLOCK - ESTERNO BUSHING - OUTER		
1215854	2213501253 *	SILENTBLOCK - INTERNO BUSHING - INNER		
1215855	2213500206 *	SILENTBLOCK - ESTERNO BUSHING - OUTER		
1215856	2213501006 *	SILENTBLOCK - INTERNO BUSHING - INNER		

DESTRO
RIGHT

 SINISTRO
LEFT

SL CLASS (280 > 500)

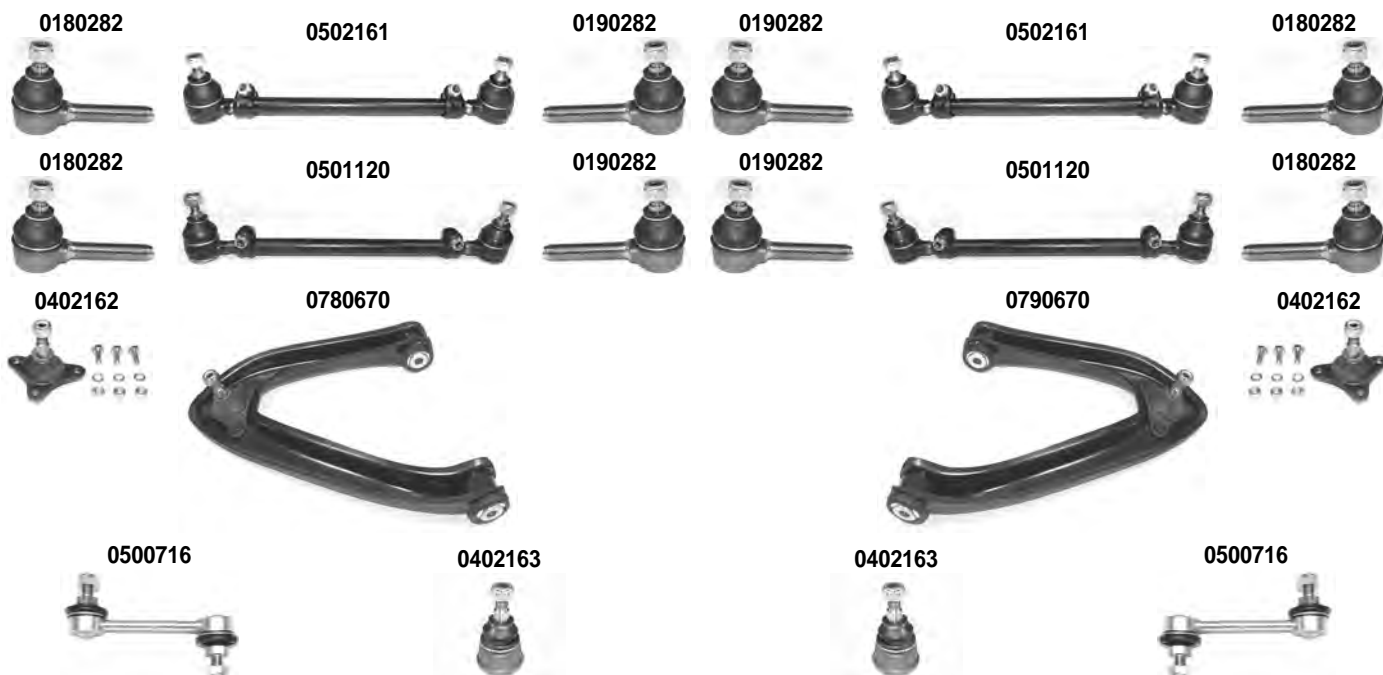
107

1971 >

Asse Anteriore



Front Axle

0502160


1) > 1985		2) 1985 >	
OCAP	O.E.		
0180282	0003385210	TESTA STERZO - ESTERNA TIE ROD END OUTER	RHT M14x1,5
0190282	0003385010	TESTA STERZO TIE ROD END	LHT M14x1,5
0402162	1153330827	SNODO SOSPENSIONE SUPERIORE SUSPENSION JOINT - UPPER	
0402163	1153331127	SNODO SOSPENSIONE INFERIORE SUSPENSION JOINT - LOWER	
0500716	1153201589	STABILIZZATORE STABILIZER LINK	
0501120	1263300503	BARRA STERZO TIE ROD	2)
0502160	1074600605	BARRA STERZO TIE ROD	
0502161	1073300103	BARRA STERZO TIE ROD	1)
0780670	1153303907	BRACCIO OSCILLANTE COMPLETO - SUPERIORE COMPLETE TRACK CONTROL ARM - UPPER	
0790670	1153303807	BRACCIO OSCILLANTE COMPLETO - SUPERIORE COMPLETE TRACK CONTROL ARM - UPPER	

DESTRO
RIGHT



SINISTRO
LEFT

SL CLASS (300 SL > 600 SL)

129

1989 > 2001

Asse Anteriore



Front Axle

0501699



i 1) ECCEITTO - EXCEPT: MOD. ESP 280-320-500-600

OCAP	O.E.		i	
0181651	0013305235	TESTA STERZO - INTERNA TIE ROD END INNER		RHT M14x1,5
0191652	0013305535	TESTA STERZO - ESTERNA TIE ROD END OUTER		LHT M14x1,5
0403904	1243330327	SNODO SOSPENSIONE INFERIORE SUSPENSION JOINT - LOWER	1)	
0501699	1294600405	BARRA STERZO TIE ROD		
0581651	1293300303	BARRA STERZO TIE ROD		
0781733	1243303107	BRACCIO OSCILLANTE TRACK CONTROL ARM	1)	
0791733	1243303007	BRACCIO OSCILLANTE TRACK CONTROL ARM	1)	
0901728	1243300575	KIT RIPARAZIONE BRACCIO OSCILLANTE REPAIRING KIT CONTROL ARM		
1215547	1243334214	SILENTBLOCK BUSHING		
1215548	1243334314	SILENTBLOCK BUSHING		

DESTRO
RIGHT

 SINISTRO
LEFT

SL CLASS (300 SL > 600 SL)

129

1989 > 2001

Asse Anteriore



Front Axle



Asse Posteriore



Rear Axle


i 2) SOLO PER - ONLY FOR: MOD. ESP 280-320-500-600

OCAP	O.E.		i	
0500721	2103501853	BARRA SOSPENSIONE SUSPENSION BAR		
0781826	1243303507	BRACCIO OSCILLANTE TRACK CONTROL ARM	2)	
0791826	1243303407	BRACCIO OSCILLANTE TRACK CONTROL ARM	2)	
0900721	1403501170	KIT BRACCIO SOSPENSIONE SUSPENSION ARM KIT		
0901728	1243300575	KIT RIPARAZIONE BRACCIO OSCILLANTE REPAIRING KIT CONTROL ARM		
1215052	2013528865	SILENTBLOCK BUSHING		
1215547	1243334214	SILENTBLOCK BUSHING		
1215548	1243334314	SILENTBLOCK BUSHING		
0500721-K	2103501853 *	BARRA SOSPENSIONI CON KIT SUSPENSION BAR WITH KIT		

SL CLASS (300 SL > 600 SL)

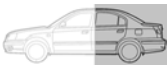
DESTRO
RIGHT



SINISTRO
LEFT

SL CLASS (300 SL > 600 SL)	129	1989 > 2001
----------------------------	-----	-------------

Asse Posteriore



Rear Axle



OCAP	O.E.			
0404800	2303520027	GIUNTO SOSPENSIONE SUSPENSION JOINT		
0502150	2103503406	BRACCIO SOSPENSIONI SUSPENSION ARM		
0502152	2103503806	BRACCIO SOSPENSIONE SUSPENSION ARM		
0502153	2103503306	BRACCIO SOSPENSIONI TRACK ROD		
0503905	1243200289	STABILIZZATORE STABILIZER LINK		
1215089	2103503306 *	SILENTBLOCK BUSHING		13 mm.
1215201	1243529065	SILENTBLOCK BUSHING		12 mm.
1215202	1243528665	SILENTBLOCK BUSHING		12 mm.

DESTRO
RIGHT



SINISTRO
LEFT

SL CLASS (SL 350 > SL 65 AMG)

230

2001 >

Asse Anteriore



Front Axle



OCAP	O.E.			
0283856	2303300203	TESTA STERZO TIE ROD END		RHT M14x1,5
0382376	2303301407	BRACCIO OSCILLANTE - INFERIORE - ACCIAIO TRACK CONTROL ARM LOWER - STEEL		
0392376	2303301307	BRACCIO OSCILLANTE - INFERIORE - ACCIAIO TRACK CONTROL ARM LOWER - STEEL		
0403858	2113300435	SNODO SOSPENSIONE - INFERIORE BALL JOINT - LOWER		
0404273	0003301007	SNODO SOSPENSIONE - SUPERIORE - ALLUMINIO BALL JOINT - UPPER - ALUMINIUM		
0404274	2113230068	SNODO CENTRALE - INFERIORE CENTRAL BALL JOINT - LOWER		
0601791	2303380015	SNODO ASSIALE AXIAL JOINT		RHT M14x1,5
0782378	2303302607	BRACCIO OSCILLANTE - SUPERIORE - ALLUMINIO TRACK CONTROL ARM - UPPER - ALUMINIUM		
0792378	2303302507	BRACCIO OSCILLANTE - SUPERIORE - ALLUMINIO TRACK CONTROL ARM - UPPER - ALUMINIUM		
1215771	2203308607	SILENTBLOCK BUSHING		
1215772	2303302507 *	SILENTBLOCK BUSHING		

SL CLASS (SL 350 > SL 65 AMG)

SL CLASS (SL 350 > SL 65 AMG)

DESTRO
RIGHT



SINISTRO
LEFT

SL CLASS (SL 350 > SL 65 AMG)

230

2001 >

Asse Anteriore



Front Axle



Asse Posteriore



Rear Axle



i 1) CON SILENTBLOCK - WITH BUSHING

OCAP	O.E.		i	
0384276	2113304411	BRACCIO OSCILLANTE - INFERIORE - ALLUMINIO TRACK CONTROL ARM LOWER - ALUMINIUM	1)	
0394276	2113304311	BRACCIO OSCILLANTE - INFERIORE - ALLUMINIO TRACK CONTROL ARM LOWER - ALUMINIUM		
0582372	2303200689	STABILIZZATORE STABILIZER LINK		
0584277	2303503606	BRACCIO SOSPENSIONE SUPERIORE - ALLUMINIO SUSPENSION ARM UPPER - ALUMINIUM		
0592372	2303200589	STABILIZZATORE STABILIZER LINK		
0594277	2303503506	BRACCIO SOSPENSIONE SUPERIORE - ALLUMINIO SUSPENSION ARM UPPER - ALUMINIUM		
0903859	0003300018	KIT RIPARAZIONE BRACCI OSCILLANTI INFERIORI REPAIRING KIT FOR LOWER TRACK CONTROL ARMS		
1215711	2113332814	SILENTBLOCK BRACCIO OSCILLANTE - ALLUMINIO TRACK CONTROL ARM BUSHING - ALUMINIUM		
1215712	2303503606 *	SILENTBLOCK BRACCIO SOSPENSIONE - ALLUMINIO SUSPENSION ARM BUSHING - ALUMINIUM		
1215770	2303502006 *	SILENTBLOCK BRACCIO SOSPENSIONE ALLUMINIO SUSPENSION ARM BUSHING ALUMINIUM		

DESTRO
RIGHT



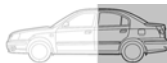
SINISTRO
LEFT

SL CLASS (SL 350 > SL 65 AMG)

230

2001 >

Asse Posteriore



Rear Axle

1215715



0584278



1215714



1215714



0594278



1215715



0902374



1215768



0382371-K



1215769



1215769



0392371-K



1215768



1215770



0302373



1215770



1215770



0302373



1215770



0504153



0902375



0504153



OCAP	O.E.		
0302373	2303502006	BRACCIO SOSPENSIONE INFERIORE - ALLUMINIO LOWER SUSPENSION ARM - ALUMINIUM	
0504153	2113203389	STABILIZZATORE STABILIZER LINK	
0584278	2303502806	BRACCIO SOSPENSIONE SUPERIORE - ALLUMINIO SUSPENSION ARM UPPER - ALUMINIUM	
0594278	2303502706	BRACCIO SOSPENSIONE SUPERIORE - ALLUMINIO SUSPENSION ARM UPPER - ALUMINIUM	
0902374	2119900299	KIT RIPARAZIONE BRACCI SUPERIORI UPPER CONTROL ARMS REPAIRING KIT	
0902375	2119900099	KIT RIPARAZIONE BRACCIO INFERIORE REAPIRING KIT LOWER CONTROL ARM	
1215714	2303502806 *	SILENTBLOCK BRACCIO SOSPENSIONE - ALLUMINIO SUSPENSION ARM BUSHING - ALUMINIUM	
1215715	2303502706 *	SILENTBLOCK BRACCIO SOSPENSIONE - ALLUMINIO SUSPENSION ARM BUSHING - ALUMINIUM	
1215768	2303500429 *	SILENTBLOCK BUSHING	
1215769	2303500329 *	SILENTBLOCK BUSHING	
1215770	2303502006 *	SILENTBLOCK BUSHING	
0382371-K	2303500429	BRACCIO SOSPENSIONE INFERIORE COMPLETO - ALLUMINIO COMPLETE LOWER SUSPENSION ARM - ALUMINIUM	
0392371-K	2303500329	BRACCIO SOSPENSIONE INFERIORE COMPLETO - ALLUMINIO COMPLETE LOWER SUSPENSION ARM - ALUMINIUM	

SL CLASS (SL 350 > SL 65 AMG)

DESTRO
RIGHT



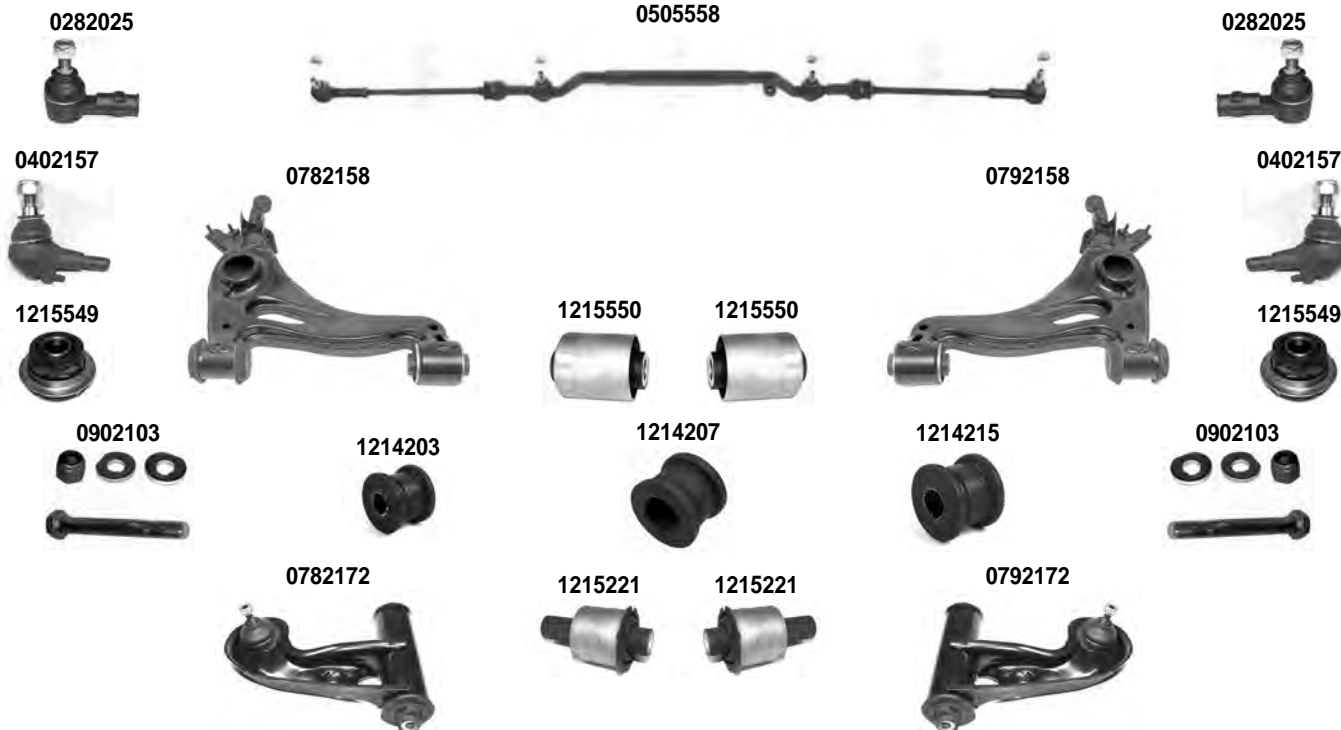
SINISTRO
LEFT

SLK CLASS	170	1996 > 04/2004
-----------	-----	----------------

Asse Anteriore



Front Axle



OCAP	O.E.			
0282025	0013307735	TESTA STERZO TIE ROD END		RHT M12x1,5
0402157	2103300035	SNODO OSPENSIONE - INFERIORE BALL JOINT - LOWER		
0505558	1704630115	BARRA STERZO TIE ROD		
0782158	2023304207	BRACCIO OSCILLANTE - INFERIORE TRACK CONTROL ARM - LOWER		
0782172	2103308807	BRACCIO OSCILLANTE - SUPERIORE TRACK CONTROL ARM - UPPER		
0792158	2023304107	BRACCIO OSCILLANTE - INFERIORE TRACK CONTROL ARM - LOWER		
0792172	2103308707	BRACCIO OSCILLANTE - SUPERIORE TRACK CONTROL ARM - UPPER		
0902103	2023300118	KIT RIPARAZIONE BRACCIO OSCILLANTE REPAIRING KIT CONTROL ARM		
1214203	1243234985	SILENTBLOCK BARRA STABILIZZATRICE STABILIZING BAR BUSHING		DIAM. 18 mm.
1214207	1243232485	SILENTBLOCK BARRA STABILIZZATRICE STABILIZING BAR BUSHING		DIAM. 27,5 mm.
1214215	1243235485	SILENTBLOCK BARRA STABILIZZATRICE STABILIZING BAR BUSHING		DIAM. 24 mm.
1215221	2103308807 *	SILENTBLOCK BRACCIO SOSPENSIONE CONTROL ARM BUSHING		
1215549	2023338714	SILENTBLOCK BUSHING		
1215550	2023336414	SILENTBLOCK BUSHING		

DESTRO
RIGHT

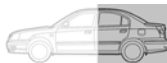
 SINISTRO
LEFT

SLK CLASS

170

1996 > 04/2004

Asse Posteriore



Rear Axle



OCAP	O.E.			
0404800	2303520027	GIUNTO SOSPENSIONE SUSPENSION JOINT		
0500721	2103501853	BARRA SOSPENSIONE SUSPENSION BAR		
0502150	2103503406	BRACCIO SOSPENSIONE SUSPENSION ARM		
0502152	2103503806	BRACCIO SOSPENSIONE SUSPENSION ARM		
0502153	2103503306	BRACCIO SOSPENSIONE TRACK ROD		
0503905	1243200289	STABILIZZATORE STABILIZER LINK		
0900721	1403501170	KIT BRACCIO SOSPENSIONE SUSPENSION ARM KIT		
1215052	2013528865	SILENTBLOCK BUSHING		
1215089	2103503306 *	SILENTBLOCK BUSHING		13 mm.
1215201	1243529065	SILENTBLOCK BUSHING		12 mm.
1215202	1243528665	SILENTBLOCK BUSHING		12 mm.
1215434	2023510842	BOCCOLA TRAVERSA SOSPENSIONE RUBBER RING FOR CROSS ROD SUSPENSION		
0500721-K	2103501853 *	BARRA SOSPENSIONI CON KIT SUSPENSION BAR WITH KIT		

DESTRO
RIGHT

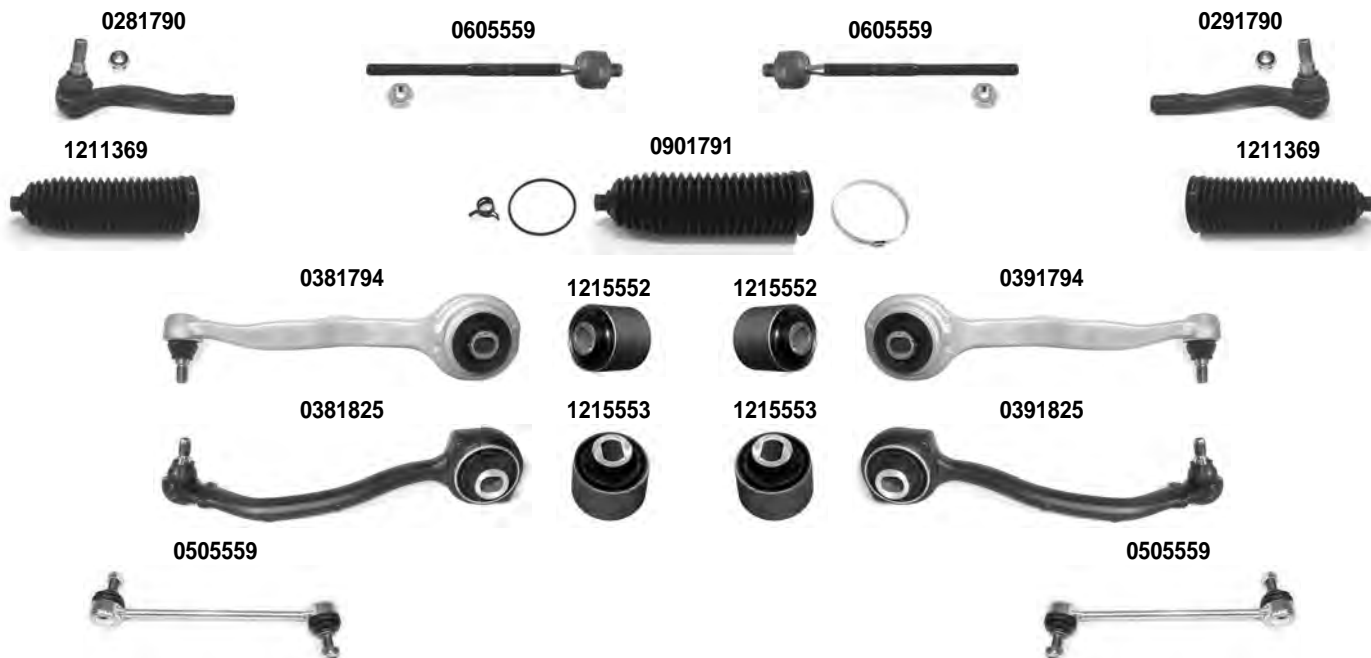


SINISTRO
LEFT

SLK CLASS	171	03/2004 > 2011
-----------	-----	----------------

Asse Anteriore

Front Axle



OCAP	O.E.			
0281790	2033504003	TESTA STERZO TIE ROD END		RHT M14x1,5
0291790	2033503903	TESTA STERZO TIE ROD END		RHT M14x1,5
0381794	2033303611	BRACCIO OSCILLANTE - SUPERIORE - ALLUMINIO TRACK CONTROL ARM - UPPER - ALUMINIUM		
0381825	2033303411	BRACCIO OSCILLANTE - INFERIORE LOWER TRACK CONTROL ARM		
0391794	2033303511	BRACCIO OSCILLANTE - SUPERIORE - ALLUMINIO TRACK CONTROL ARM - UPPER - ALUMINIUM		
0391825	2033303311	BRACCIO OSCILLANTE - INFERIORE LOWER TRACK CONTROL ARM		
0505559	1713230017	STABILIZZATORE STABILIZER LINK		
0605559	1713380015	SNODO ASSIALE AXIAL JOINT		RHT M14x1,5
0901791	2034602300	KIT CUFFIA STERZO STEERING GAITER KIT		
1211369	2034630396 *	CUFFIA STERZO STEERING GAITER		
1215552	2043331014	SILENTBLOCK BUSHING		
1215553	2033330914	SILENTBLOCK BUSHING		

DESTRO
RIGHT

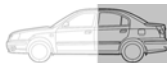
 SINISTRO
LEFT

SLK CLASS

171



03/2004 > 2011

Asse Posteriore



Rear Axle



OCAP	O.E.		
0502113	2033500353	BARRA SOSPENSIONE SUSPENSION BAR	
0502150	2103503406	BRACCIO SOSPENSIONE SUSPENSION ARM	
0502152	2103503806	BRACCIO SOSPENSIONE SUSPENSION ARM	
0502153	2103503306	BRACCIO SOSPENSIONE TRACK ROD	
0503905	1243200289	STABILIZZATORE STABILIZER LINK	
0902611	2033504508	KIT SOSPENSIONE SUSPENSION KIT	
1215052	2013528865	SILENTBLOCK BUSHING	
1215089	2103503306 *	SILENTBLOCK BUSHING	13 mm.
1215201	1243529065	SILENTBLOCK BUSHING	12 mm.
1215202	1243528665	SILENTBLOCK BUSHING	12 mm.
0502113-K	2033500753	BARRA SOSPENSIONI CON KIT SUSPENSION BAR WITH KIT	

DESTRO
RIGHT



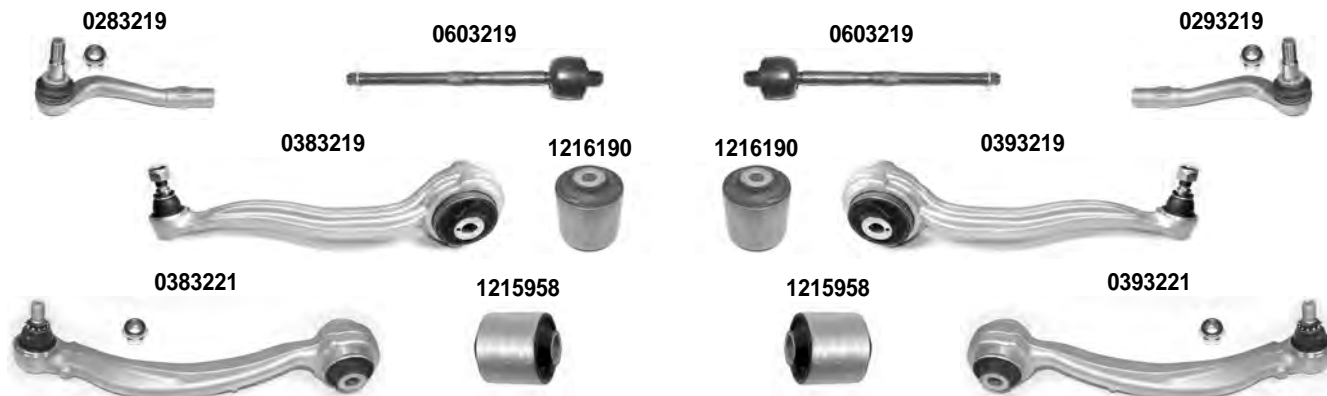
SINISTRO
LEFT

SLK CLASS SLC CLASS	172 172	02/2011 > 01/2016 >
------------------------	------------	------------------------

Asse Anteriore



Front Axle



OCAP	O.E.			
0283219	2043301003	TESTA STERZO TIE ROD END		RHT M14x1,5
0293219	2043300903	TESTA STERZO TIE ROD END		RHT M14x1,5
0383219	2043304411	BRACCIO OSCILLANTE - SUPERIORE - ALLUMINIO TRACK CONTROL ARM - UPPER - ALUMINIUM		
0383221	2043306811	BRACCIO OSCILLANTE - INFERIORE - ALLUMINIO TRACK CONTROL ARM - LOWER - ALUMINIUM		
0393219	2043304311	BRACCIO OSCILLANTE - SUPERIORE - ALLUMINIO TRACK CONTROL ARM - UPPER - ALUMINIUM		
0393221	2043306711	BRACCIO OSCILLANTE - INFERIORE - ALLUMINIO TRACK CONTROL ARM - LOWER - ALUMINIUM		
0603219	2043380615	SNODO ASSIALE AXIAL JOINT		RHT M14x1,5
1215958	2043330414	SILENTBLOCK BUSHING		
1216190	2043331114	SILENTBLOCK BUSHING		

DESTRO
RIGHT



SINISTRO
LEFT

CITAN

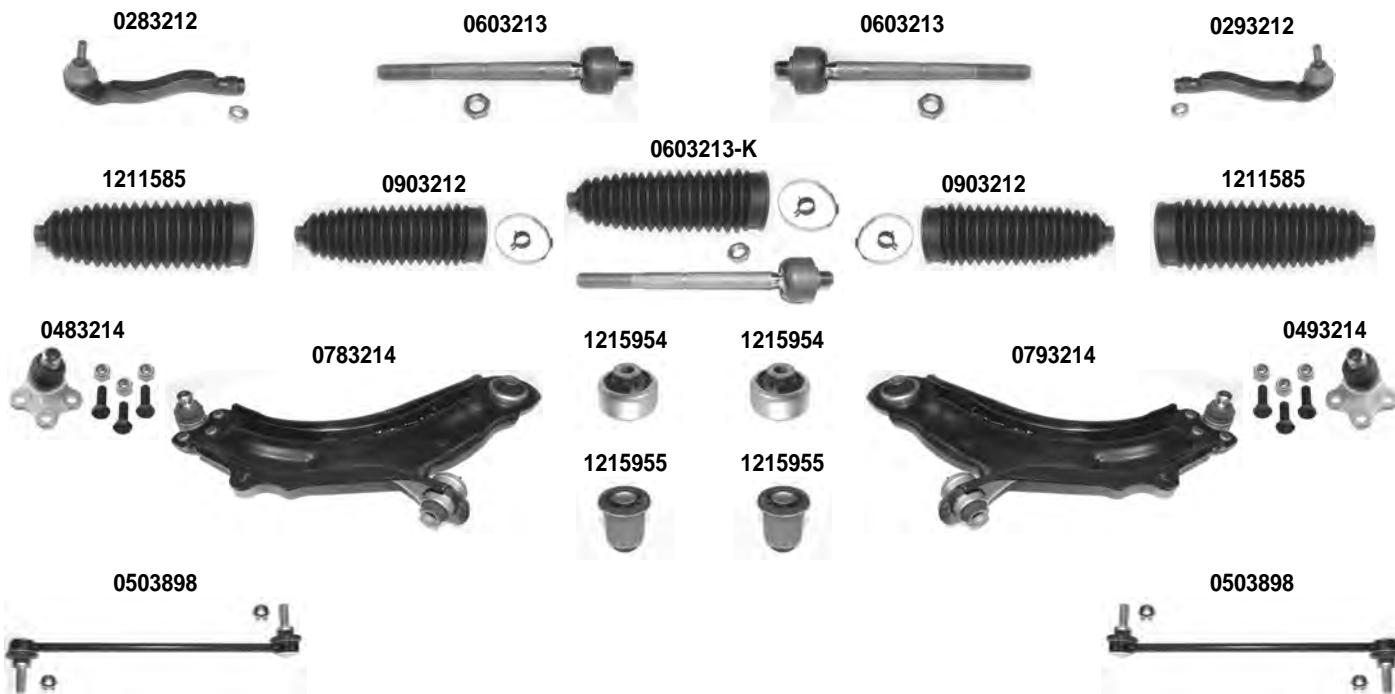
415

11/2012 >

Asse Anteriore



Front Axle



OCAP	O.E.		
0283212	4154600105	TESTA STERZO TIE ROD END	RHT M14x1,5
0293212	4154600005	TESTA STERZO TIE ROD END	RHT M14x1,5
0483214	4153300200 *	SNODO SOSPENSIONE - INFERIORE BALL JOINT - LOWER	
0493214	4153300300 *	SNODO SOSPENSIONE - INFERIORE BALL JOINT - LOWER	
0503898	4153200189	STABILIZZATORE STABILIZER LINK	
0603213	4153200089 *	SNODO ASSIALE AXIAL JOINT	RHT M14x1,5
0783214	4153300200	BRACCIO OSCILLANTE - INFERIORE TRACK CONTROL ARM - LOWER	
0793214	4153300300	BRACCIO OSCILLANTE - INFERIORE TRACK CONTROL ARM - LOWER	
0903212	4154600096	KIT CUFFIE STERZO STEERING GAITER KIT	
1211585	4154600096 *	CUFFIA STERZO STEERING GAITER	
1215954	4153300300 **	SILENTBLOCK ESTREMO OUTER BUSHING	
1215955	4153300200 **	SILENTBLOCK CENTRALE CENTRAL BUSHING	
0603213-K	4153200089	KIT SNODO ASSIALE AXIAL JOINT KIT	RHT M14x1,5

DESTRO
RIGHT



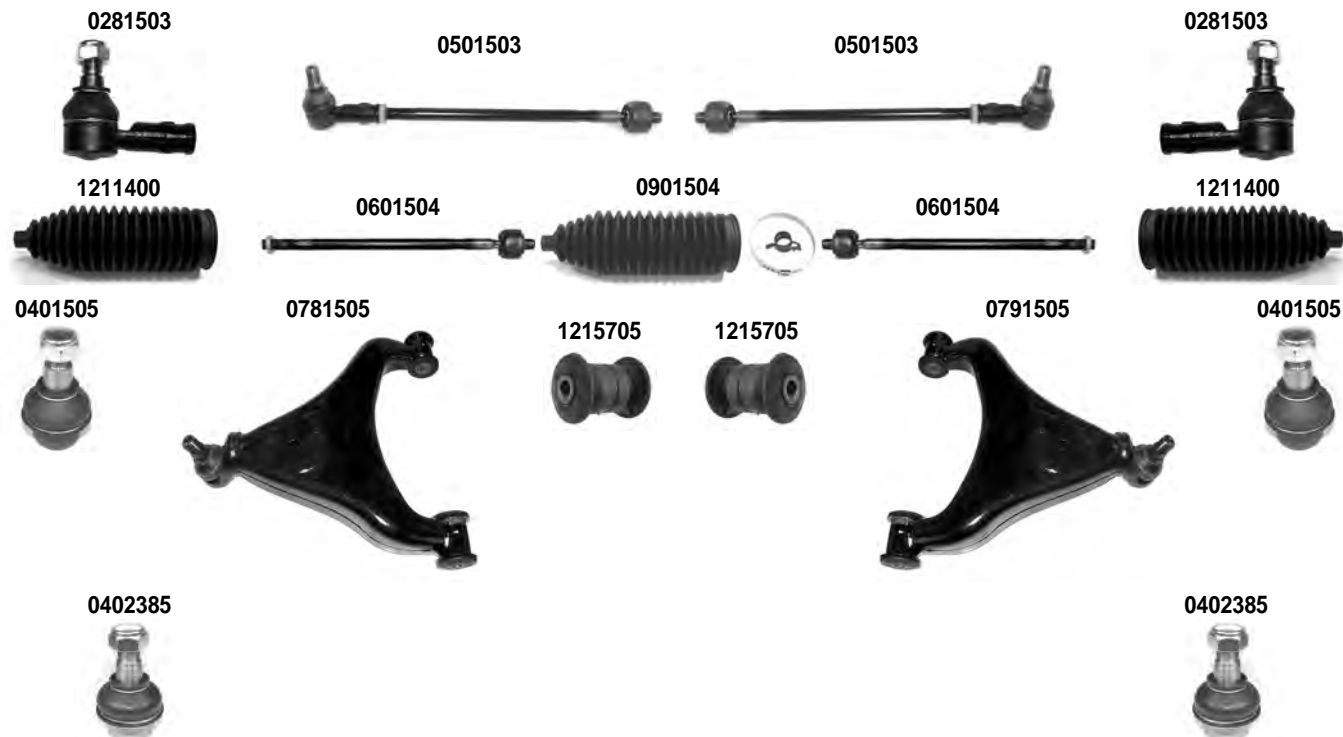
SINISTRO
LEFT

SPRINTER	901 > 904	1995 > 05/2006
-----------------	-----------	----------------

Asse Anteriore



Front Axle



i 1) ECCETTO 4X4 - EXCEPT 4X4	2) SOLO PER 4X4 - ONLY FOR 4X4
--------------------------------------	--------------------------------

OCAP	O.E.		i	
0281503	9014600348	TESTA STERZO TIE ROD END		RHT M16x1,5
0401505	9013331227	SNODO SOSPENSIONE BALL JOINT	1)	
0402385	9013331327	SNODO SOSPENSIONE BALL JOINT	2)	
0501503	9014600205	BARRA STERZO TIE ROD		
0601504	9014600155	SNODO ASSIALE AXIAL JOINT		RHT M16x1,5
0781505	9013302507	BRACCIO OSCILLANTE TRACK CONTROL ARM	1)	
0791505	9013301807	BRACCIO OSCILLANTE TRACK CONTROL ARM	1)	
0901504	9014605500	KIT CUFFIE STERZO STEERING GAITER KIT		
1211400	9014605500 *	CUFFIA STERZO STEERING GAITER		
1215705	9013330214	SILENTBLOCK BRACCIO OSCILLANTE TRACK CONTROL ARM BUSHING		

DESTRO
RIGHT



SINISTRO
LEFT

SPRINTER

901 > 904

1995 > 05/2006

Asse Anteriore



Front Axle

0581514



1214222



1214064



1214091



0591514



Asse Posteriore



Rear Axle

0104151



0104151



0502368



0502379



0502379



0502368



1214223



1214226



1214228



1214093



i 3) CON SILENTBLOCK - WITH BUSHING

OCAP	O.E.		i	
0104151	901320089	PUNTONE BARRA STABILIZZATRICE STABILIZER LINK		L = 95 mm.
0502368	9013200689	PUNTONE BARRA STABILIZZATRICE STABILIZER LINK		L = 300 mm.
0502379	9013200589	PUNTONE BARRA STABILIZZATRICE STABILIZER LINK		L = 230 mm.
0581514	9013200389	STABILIZZATORE STABILIZER LINK	3)	
0591514	9013200289	STABILIZZATORE STABILIZER LINK	3)	
1214064	9013230285	SILENTBLOCK BARRA STABILIZZATRICE STABILIZING BAR BUSHING		
1214091	9043230085	SILENTBLOCK BARRA STABILIZZATRICE STABILIZING BAR BUSHING		DIAM. 25 mm.
1214093	9013260081	SILENTBLOCK BARRA STABILIZZATRICE STABILIZING BAR BUSHING		DIAM. 23 mm.
1214222	9013230185	SILENTBLOCK BARRA STABILIZZATRICE STABILIZING BAR BUSHING		DIAM. 22 mm.
1214223	9043260881	SILENTBLOCK BARRA STABILIZZATRICE STABILIZING BAR BUSHING		DIAM. 27 mm.
1214226	9043261081	SILENTBLOCK BARRA STABILIZZATRICE POSTERIORE - DIAM.33mm STABILIZING BAR BUSHING		DIAM. 33 mm.
1214228	9043260981	SILENTBLOCK BARRA STABILIZZATRICE POSTERIORE - DIAM.30mm STABILIZING BAR BUSHING		DIAM. 30 mm.

DESTRO
RIGHT

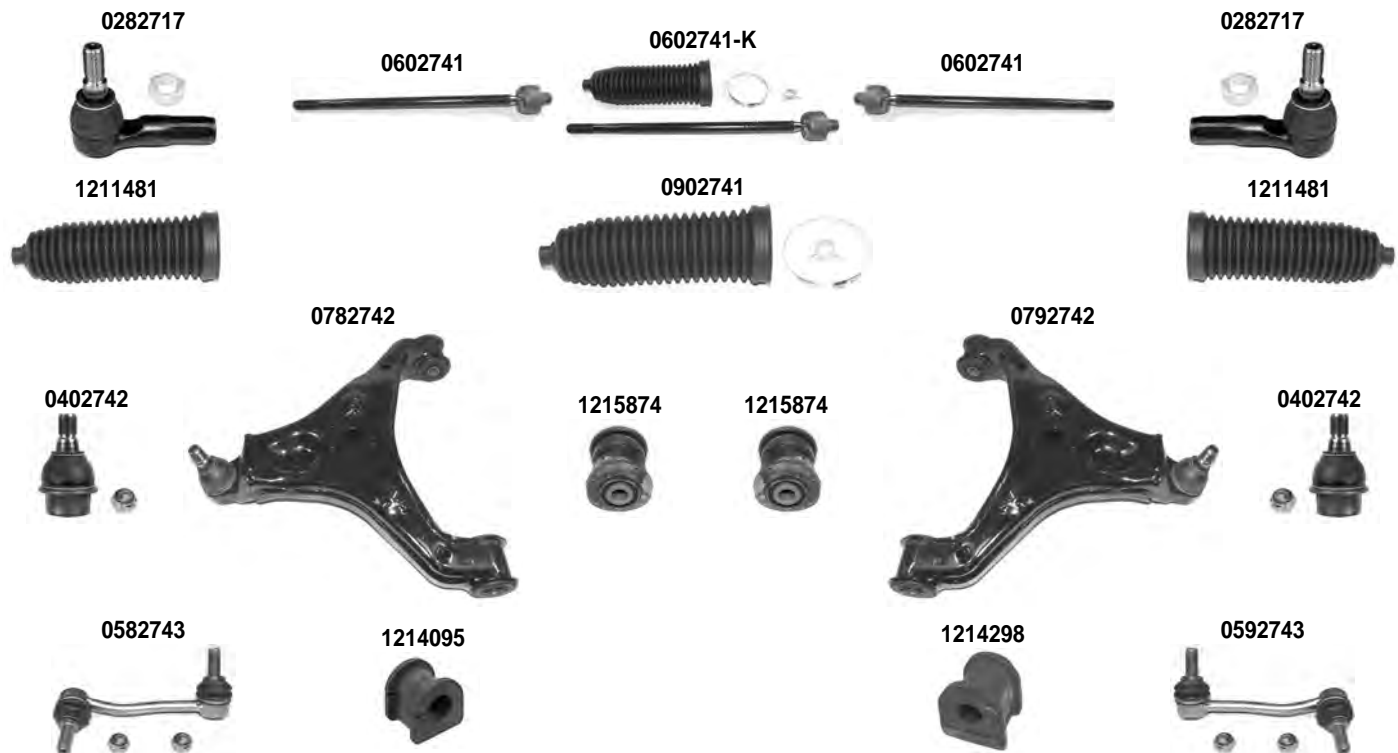


SINISTRO
LEFT

SPRINTER	906	06/2006 > 2018
----------	-----	----------------

Asse Anteriore

Front Axle



OCAP	O.E.			
0282717	9064600048	TESTA STERZO TIE ROD END		RHT M16x1,5
0402742	9063304107 *	SNODO SOSPENSIONE BRACCIO OSCILLANTE - INFERIORE CONTROL ARM BALL JOINT - LOWER		
0582743	9063201889	STABILIZZATORE STABILIZER LINK		
0592743	9063201789	STABILIZZATORE STABILIZER LINK		
0602741	9064600055 *	SNODO ASSIALE AXIAL JOINT		RHT M16x1,5
0782742	9063304107	BRACCIO OSCILLANTE - INFERIORE TRACK CONTROL ARM - LOWER		
0792742	9063304007	BRACCIO OSCILLANTE - INFERIORE TRACK CONTROL ARM - LOWER		
0902741	9064600096	KIT CUFFIA STERZO STEERING BOX KIT		
1211481	9064600096 *	CUFFIA STERZO STEERING BOX		
1214095	6383230285	SILENTBLOCK BARRA STABILIZZATRICE STABILIZING BAR BUSHING		DIAM. 24 mm.
1214298	9063233585	SILENTBLOCK BARRA STABILIZZATRICE STABILIZING BAR BUSHING		DIAM. 16 mm.
1215874	9063330014	SILENTBLOCK BRACCIO OSCILLANTE TRACK CONTROL ARM BUSHING		
0602741-K	9064600055	KIT SNODO ASSIALE AXIAL JOINT KIT		RHT M16x1,5

DESTRO
RIGHT



SINISTRO
LEFT

SPRINTER

906

06/2006 > 2018

Asse Posteriore



Rear Axle

0502744



1215817



1215817



0502744





1214223



1214228



OCAP	O.E.		
0502744	9063201389	STABILIZZATORE <i>STABILIZER LINK</i>	L = 212 mm.
1214223	9043260881	SILENTBLOCK BARRA STABILIZZATRICE <i>STABILIZING BAR BUSHING</i>	DIAM. 27 mm.
1214228	9043260981	SILENTBLOCK BARRA STABILIZZATRICE <i>STABILIZING BAR BUSHING</i>	DIAM. 30 mm.
1215817	6013210350	SILENTBLOCK STABILIZZATORE <i>STABILIZER LINK BUSHING</i>	

DESTRO
RIGHT



SINISTRO
LEFT

VANEO	414	2002 >
-------	-----	--------

Asse Anteriore

Front Axle



OCAP	O.E.			
0284269	4144600105	TESTA STERZO TIE ROD END		RHT M14x1,5
0294269	4144600005	TESTA STERZO TIE ROD END		RHT M14x1,5
0404267	4143330227	SNODO SOSPENSIONE BALL JOINT		
0504271	4143200389	STABILIZZATORE STABILIZER LINK		
0604270	4144600205 *	SNODO ASSIALE AXIAL JOINT		RHT M14x1,5
0784267	4143300607	BRACCIO OSCILLANTE TRACK CONTROL ARM		
0794267	4143300507	BRACCIO OSCILLANTE TRACK CONTROL ARM		
0904270	4143300035 *	KIT CUFFIA STERZO STEERING GAITER KIT		
1211418	4143300035 **	CUFFIA STERZO STEERING GAITER		
1215706	4143330114	SILENTBLOCK CENTRALE CENTRAL BUSHING		
1215707	4143330014	SILENTBLOCK ESTREMO OUTER BUSHING		
0604270-K	4144600205	KIT SNODO ASSIALE AXIAL JOINT KIT		RHT M14x1,5

DESTRO
RIGHT



SINISTRO
LEFT

VITO

VITO

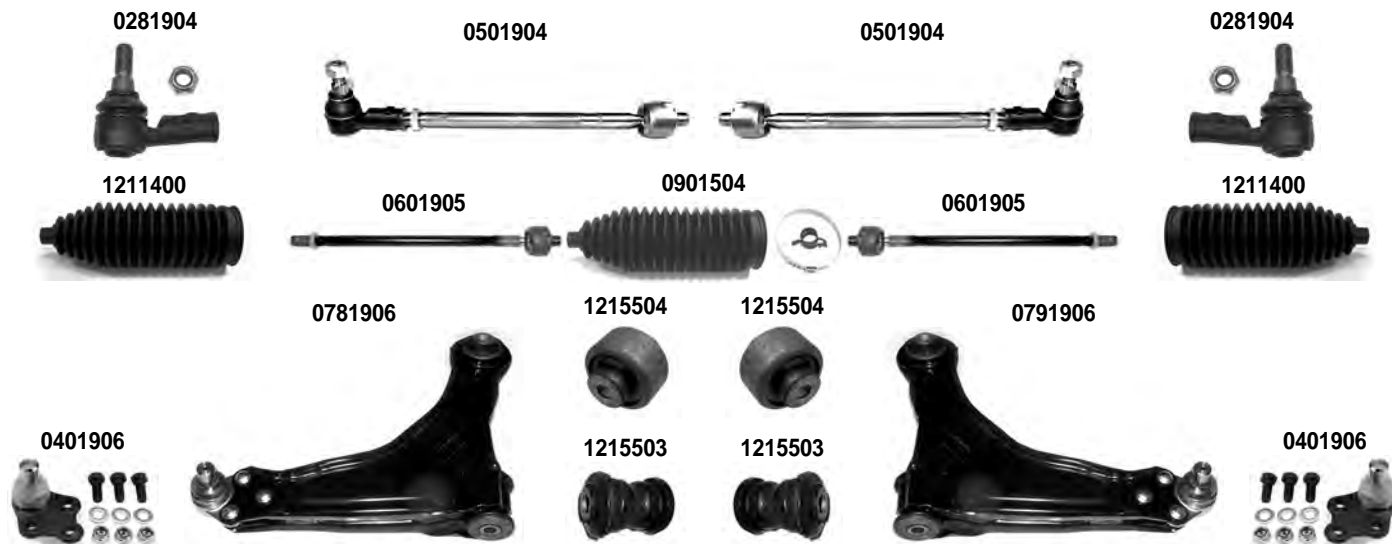
638

1996 > 07/2003

Asse Anteriore



Front Axle



OCAP	O.E.		i	
0281904	6384600048	TESTA STERZO TIE ROD END		RHT M16x1,5
0401906	6383330027	SNODO SOSPENSIONE SUSPENSION JOIN		
0501904	6384600205	BARRA STERZO TIE ROD		
0601905	6384600255	SNODO ASSIALE AXIAL JOINT		RHT M16x1,5
0781906	6383300110	BRACCIO OSCILLANTE TRACK CONTROL ARM		
0791906	6383300010	BRACCIO OSCILLANTE TRACK CONTROL ARM		
0901504	9014605500	KIT CUFFIA STERZO STEERING GAITER KIT		
1211400	9014605500 *	CUFFIA STERZO STEERING GAITER		
1215503	6383300110 *	SILENTBLOCK CENTRALE CENTRAL SILENTBLOCK		
1215504	6383330814	SILENTBLOCK ESTREMO SILENTBLOCK END		

DESTRO
RIGHT



SINISTRO
LEFT

VITO	638	1996 > 07/2003
------	-----	----------------

Asse Anteriore



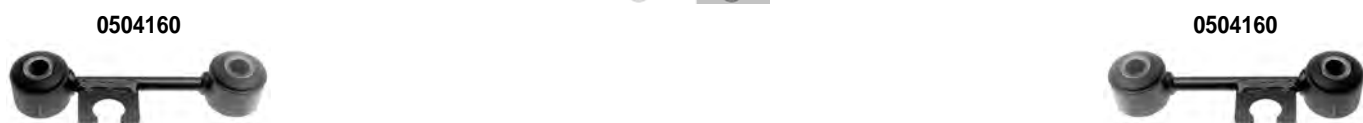
Front Axle



Asse Posteriore



Rear Axle



i 1) FINO A > CH. 267540 - TO > CH. 267540	2) CH. 267541 >
---	-----------------

OCAP	O.E.		i	
0504160	6383260116	STABILIZZATORE STABILIZER LINK		
0581907	6383230368	STABILIZZATORE STABILIZER LINK	1)	
0584163	6383230568	STABILIZZATORE STABILIZER LINK	2)	
0591907	6383230268	STABILIZZATORE STABILIZER LINK	1)	
0594163	6383230468	STABILIZZATORE STABILIZER LINK	2)	
1214095	6383230285	SILENTBLOCK BARRA STABILIZZATRICE STABILIZING BAR BUSHING		DIAM. 24 mm.

DESTRO
RIGHT

 SINISTRO
LEFT

 VITO - VIANO
VITO / MIXTO

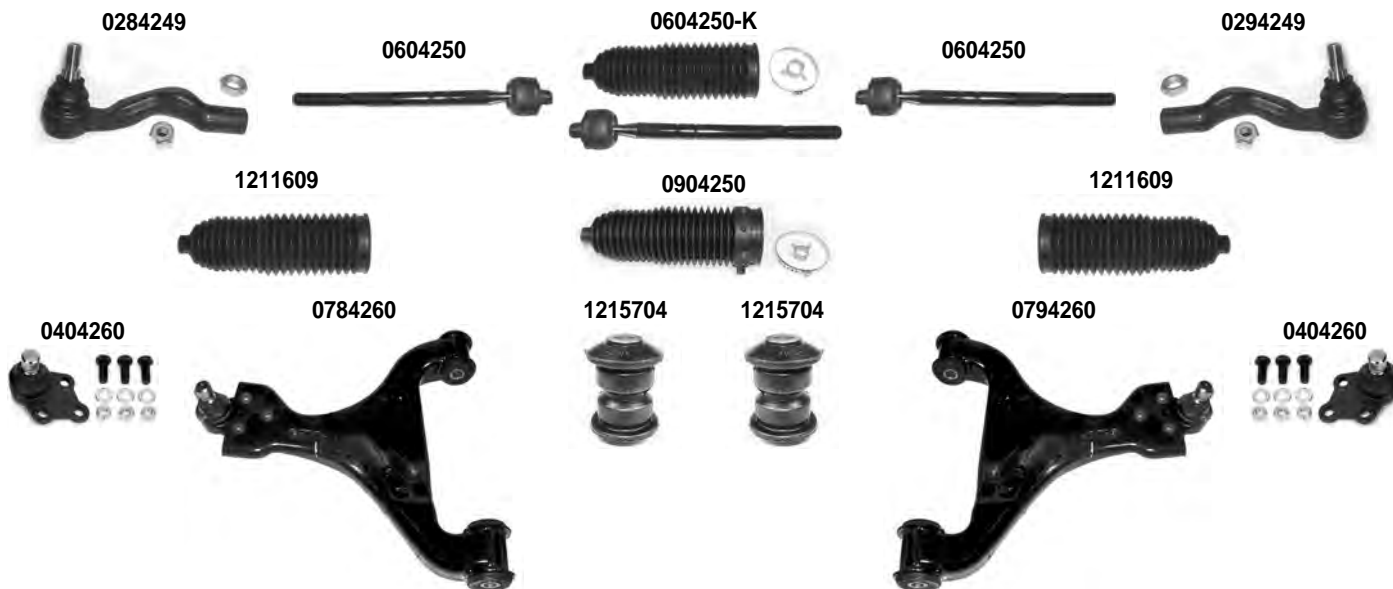
 639
639

 09/2003 > 2014
09/2003 > 2014



Asse Anteriore



Front Axle



i 1) > 07/2010	2) > CH. 3603471
-----------------------	------------------

OCAP	O.E.		i	
0284249	6394600348	TESTA STERZO TIE ROD END		RHT M16x1,5
0294249	6394600048	TESTA STERZO TIE ROD END		RHT M16x1,5
0404260	6393300510 *	SNODO SOSPENSIONE CON KIT VITI - INFERIORE BALL JOINT WITH BOLT KIT - LOWER		
0604250	6394600055 *	SNODO ASSIALE AXIAL JOINT		RHT M16x1,5
0784260	6393300510	BRACCIO OSCILLANTE - INFERIORE TRACK CONTROL ARM - LOWER	1) 2)	
0794260	6393300410	BRACCIO OSCILLANTE - INFERIORE TRACK CONTROL ARM - LOWER	1) 2)	
0904250	6394600196	KIT CUFFIA STERZO STEERING GAITER KIT		
1211609	6394600196 *	CUFFIA STERZO STEERING GAITER		
1215704	6393330214	SILENTBLOCK BRACCIO OSCILLANTE CONTROL ARM BUSHING	1) 2)	
0604250-K	6394600055	KIT SNODO ASSIALE AXIAL JOINT KIT		RHT M16x1,5

DESTRO
RIGHT



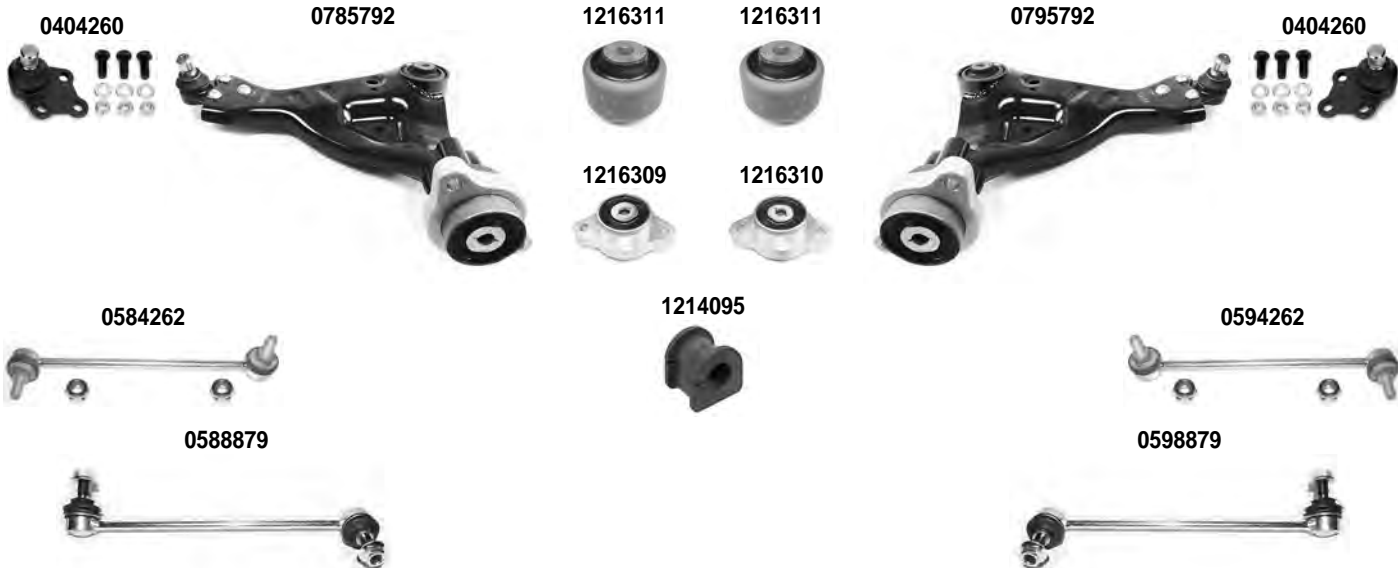
SINISTRO
LEFT

VITO - VIANO VITO / MIXTO	639 639	09/2003 > 2014 09/2003 > 2014
------------------------------	------------	----------------------------------

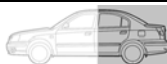
Asse Anteriore



Front Axle



Asse Posteriore



Rear Axle



i 1) > 07/2010 3) 07/2010 >	2) > CH. 3603471 4) CH. 3603472 >
---------------------------------------	--------------------------------------

OCAP	O.E.		i	
0404260	6393300510 *	SNODO SOSPENSIONE CON KIT VITI - INFERIORE BALL JOINT WITH BOLT KIT - LOWER		
0508847	6393260616	STABILIZZATORE STABILIZER LINK		
0584262	6393200189	STABILIZZATORE STABILIZER LINK	1) 2)	
0588879	6393201089	STABILIZZATORE STABILIZER LINK	3) 4)	
0594262	6393200089	STABILIZZATORE STABILIZER LINK	1) 2)	
0598879	6393200989	STABILIZZATORE STABILIZER LINK	3) 4)	
0785792	6393301501	BRACCIO OSCILLANTE - INFERIORE TRACK CONTROL ARM - LOWER	3) 4)	
0795792	6393301401	BRACCIO OSCILLANTE - INFERIORE TRACK CONTROL ARM - LOWER	3) 4)	
1214095	6383230285	SILENTBLOCK BARRA STABILIZZATRICE STABILIZING BAR BUSHING		DIAM. 24 mm.
1216309	6393301501 *	SILENTBLOCK BRACCIO OSCILLANTE CONTROL ARM BUSHING	3) 4)	
1216310	6393301401 *	SILENTBLOCK BRACCIO OSCILLANTE CONTROL ARM BUSHING	3) 4)	
1216311	6393331114	SILENTBLOCK BRACCIO OSCILLANTE CONTROL ARM BUSHING	3) 4)	

DESTRO
RIGHT

 SINISTRO
LEFT

VITO
V-CLASS

 447
447

 10/2014 >
03/2014 >

Asse Anteriore



Front Axle


i 1) ECCEPPO - EXCEPT: 1.6 (109/111 CDI)
3) ECCEPPO - EXCEPT: 4x4

 2) SOLO PER - ONLY FOR: 1.6 (109/111 CDI)
4) SOLO PER - ONLY FOR: 4x4

OCAP	O.E.		i	
0288844	4474600148	TESTA STERZO TIE ROD END	1)	RHT M16x1,5
0288846	4474600348	TESTA STERZO TIE ROD END	2)	RHT M16x1,5
0298844	4474600048	TESTA STERZO TIE ROD END	1)	RHT M16x1,5
0298846	4474600248	TESTA STERZO TIE ROD END	2)	RHT M16x1,5
0408845	4473330127	SNODO SOSPENSIONE - INFERIORE BALL JOINT - LOWER		
0608844	4474600055	SNODO ASSIALE AXIAL JOINT		RHT M16x1,5
0788845	4473301507	BRACCIO OSCILLANTE - INFERIORE TRACK CONTROL ARM - LOWER	1)	
0798845	4473301407	BRACCIO OSCILLANTE - INFERIORE TRACK CONTROL ARM - LOWER	1)	
1216311	6393331114	SILENTBLOCK - CENTRALE CENTRAL BUSHING		
1216369	4473330514	SILENTBLOCK - ESTREMO OUTER BUSHING	1)	



VITO V-CLASS	447 447	10/2014 > 03/2014 >
-----------------	------------	------------------------

Asse Anteriore



Front Axle



Asse Posteriore



Rear Axle



i 1) ECCETTO - EXCEPT: 1.6 (109/111 CDI) 3) ECCETTO - EXCEPT: 4x4	2) SOLO PER - ONLY FOR: 1.6 (109/111 CDI) 4) SOLO PER - ONLY FOR: 4x4
---	--

OCAP	O.E.		i	
0408845	4473330127	SNODO SOSPENSIONE - INFERIORE BALL JOINT - LOWER		
0508846	4473200489	STABILIZZATORE STABILIZER LINK	2)3)	
0508847	6393260616	STABILIZZATORE STABILIZER LINK		
0588845	4473200389	STABILIZZATORE STABILIZER LINK	1)3)	
0588849	4473200289	STABILIZZATORE STABILIZER LINK	1)4)	
0598845	4473200089	STABILIZZATORE STABILIZER LINK	1)3)	
0598849	4473200189	STABILIZZATORE STABILIZER LINK	1)4)	
0788847	4473303500	BRACCIO OSCILLANTE - INFERIORE TRACK CONTROL ARM - LOWER	2)	
0798847	4473303400	BRACCIO OSCILLANTE - INFERIORE TRACK CONTROL ARM - LOWER	2)	
1216311	6393331114	SILENTBLOCK - CENTRALE CENTRAL BUSHING		
1216378	4473303400 *	SILENTBLOCK - ESTREMO OUTER BUSHING	2)	

DESTRO
RIGHT

 SINISTRO
LEFT

L 406 D/DG > L 410 D/DG L 508 DG > 608 D	T2/L T2/L	1968 > 1988 1970 > 1988
---	--------------	----------------------------



Asse Anteriore



Front Axle

0180729

0190729


OCAP	O.E.		
0180729	0003302735	TESTA STERZO TIE ROD END	RHT M24x1,5
0190729	0003302635	TESTA STERZO TIE ROD END	LHT M24x1,5

DESTRO
RIGHT



SINISTRO
LEFT

507 D > 510 VARIO: 512 D > 818 D	T2/LN1 667 - 668 - 670	1986 > 1994 1996 >
-------------------------------------	---------------------------	-----------------------

Asse Anteriore



Front Axle



i 1) VERSIONE ASSIALE - AXIAL VERSION: 730.407	i 2) VERSIONE ASSIALE - AXIAL VERSION: 730.602-603-604-710-712
---	---

OCAP	O.E.		i	
0180727	6013305335	TESTA STERZO TIE ROD END	1)	RHT M20x1,5
0186612	0003309735	TESTA STERZO TIE ROD END	2)	RHT M24x1,5
0190727	6013305235	TESTA STERZO TIE ROD END	1)	LHT M20x1,5
0196612	0003309835	TESTA STERZO TIE ROD END	2)	LHT M24x1,5
0501499	6673300603	BARRA STERZO TIE ROD	1)	L = 1600 mm.
0507653	6703300003	BARRA STERZO TIE ROD	2)	L = 1594 mm.

DESTRO
RIGHT

 SINISTRO
LEFT

207 D - 210 D 307 D - 310 D 407 D - 410 D	601 602 611	1973 > 1995
---	-------------------	-------------

Asse Anteriore



Front Axle



0182252



0502252



0192252



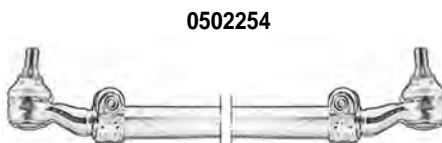
0180727



0502253



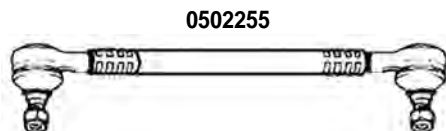
0182254



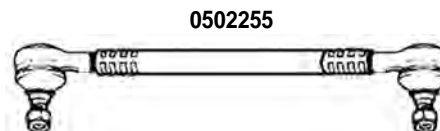
0502254



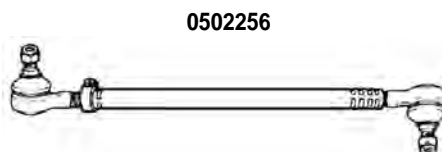
0192254



0502255



0502255



0502256

i 1) SERIE 730.404/446/447/448 - SERIES 730.404/446/447/448	2) MOD. 730.403/445
--	---------------------

OCAP	O.E.		i	
0180727	6013300435	TESTA STERZO TIE ROD END	1)	RHT M20x1,5
0182252	6083330027	TESTA STERZO TIE ROD END		RHT M16x1,5
0182254	6023305835	TESTA STERZO TIE ROD END	2)	RHT M24x1,5 L = 115 mm.
0192252	6083380110	TESTA STERZO TIE ROD END		LHT M16x1,5
0192254	6083305735	TESTA STERZO TIE ROD END	2)	LHT M24x1,5 L = 115 mm.
0502252	6083300303	BARRA STERZO - CENTRALE TIE ROD - CENTRAL		L = 510 mm.
0502253	6023300403	BARRA STERZO TIE ROD	1)	L = 1.355 mm.
0502254	6023305403	BARRA STERZO TIE ROD	2)	L = 1.356 mm.
0502255	6083300403	BARRA STERZO - ESTERNA TIE ROD - OUTER		L = 312 mm.
0502256	6084600105	BARRA STERZO - CENTRALE TIE ROD - CENTRAL		L = 1135 mm.

DESTRO
RIGHT



SINISTRO
LEFT

207 D - 210 D 307 D - 310 D 407 D - 410 D	601 602 611	1973 > 1995
---	-------------------	-------------

Asse Anteriore



Front Axle

0500730



0502257



0190731



0180730



0501347



0402159



0402159



0501347



1214199



1214204



1214205



1214206



1214198



1214208



i 3) SERVOSTERZO - POWER STEERING - LHD > CH. 152683 - RHD > CH. 166248 4) SERVOSTERZO - POWER STEERING - LHD - CH. 152684 > - RHD - CH. 166249 >

OCAP	O.E.		i	
0180730	3103301335	BARRA STERZO - ESTERNA TIE ROD END		RHT M22x1,5 L = 95 mm.
0190731	0004608748	BARRA STERZO - ESTERNA TIE ROD END		LHT M22x1,5 L = 250 mm.
0402159	6313200228	SNODO SOSPENSIONE - SUPERIORE - INFERIORE SUSPENSION JOINT - UPPER - LOWER		
0500730	6014600305	BARRA STERZO TIE ROD	3)	L = 486 mm.
0501347	6014300535	STABILIZZATORE - IN RESINA STABILIZER LINK - RESIN VERSION		
0502257	6014601505	BARRA STERZO TIE ROD	4)	L = 470 mm.
1214198	6013260482	SILENTBLOCK BARRA STABILIZZATRICE STABILIZING BAR BUSHING		DIAM. 24 mm.
1214199	6023260882	SILENTBLOCK BARRA STABILIZZATRICE STABILIZING BAR BUSHING		DIAM. 30 mm.
1214204	6023260282	SILENTBLOCK BARRA STABILIZZATRICE STABILIZING BAR BUSHING		DIAM. 32 mm.
1214205	6023210250	SILENTBLOCK BARRA STABILIZZATRICE STABILIZING BAR BUSHING		DIAM. 16 mm.
1214206	6023260482	SILENTBLOCK BARRA STABILIZZATRICE STABILIZING BAR BUSHING		DIAM. 30 mm.
1214208	6113260081	SILENTBLOCK BARRA STABILIZZATRICE STABILIZING BAR BUSHING		DIAM. 33 mm.

DESTRO
RIGHT

 SINISTRO
LEFT

 MB 100 - MB 120 - MB 140
MB 160 - MB 180

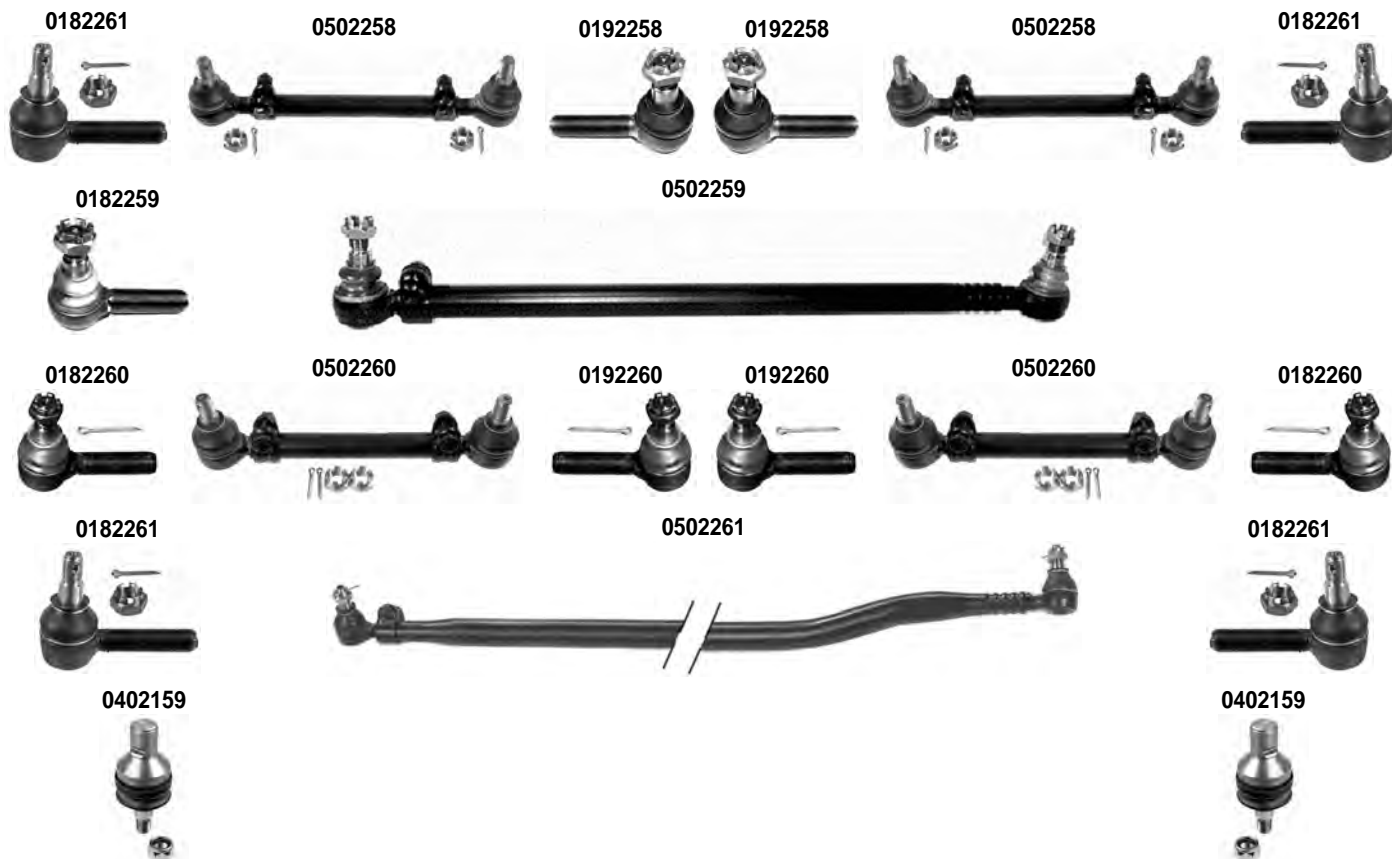
631

1988 >

Asse Anteriore



Front Axle



i 1) > CH. 013457	2) CH. 013458 >
--------------------------	-----------------

OCAP	O.E.		i	
0182259	6313300535	TESTA STERZO TIE ROD END	2)	
0182260	4603301235	TESTA STERZO TIE ROD END		RHT M20x1,5 L = 95 mm.
0182261	0004606548	TESTA STERZO TIE ROD END	1)	RHT M18x1,5 L = 95 mm.
0192258	6313380410	TESTA STERZO TIE ROD END	1)	LHT M18x1,5 L = 95 mm.
0192260	6313300435	TESTA STERZO TIE ROD END		
0402159	6313200228	SNODO SOSPENSIONE - SUPERIORE - INFERIORE SUSPENSION JOINT - UPPER - LOWER		
0502258	6313300303	BARRA STERZO - ESTERNA TIE ROD - OUTER	1)	L = 294 mm.
0502259	6313300603	BARRA STERZO CENTRALE TIE ROD CENTRAL	2)	
0502260	6313300703	BARRA STERZO ESTERNA TIE ROD OUTER	2)	
0502261	6314600705	BARRA STERZO TIE ROD	2)	

DESTRO
RIGHT



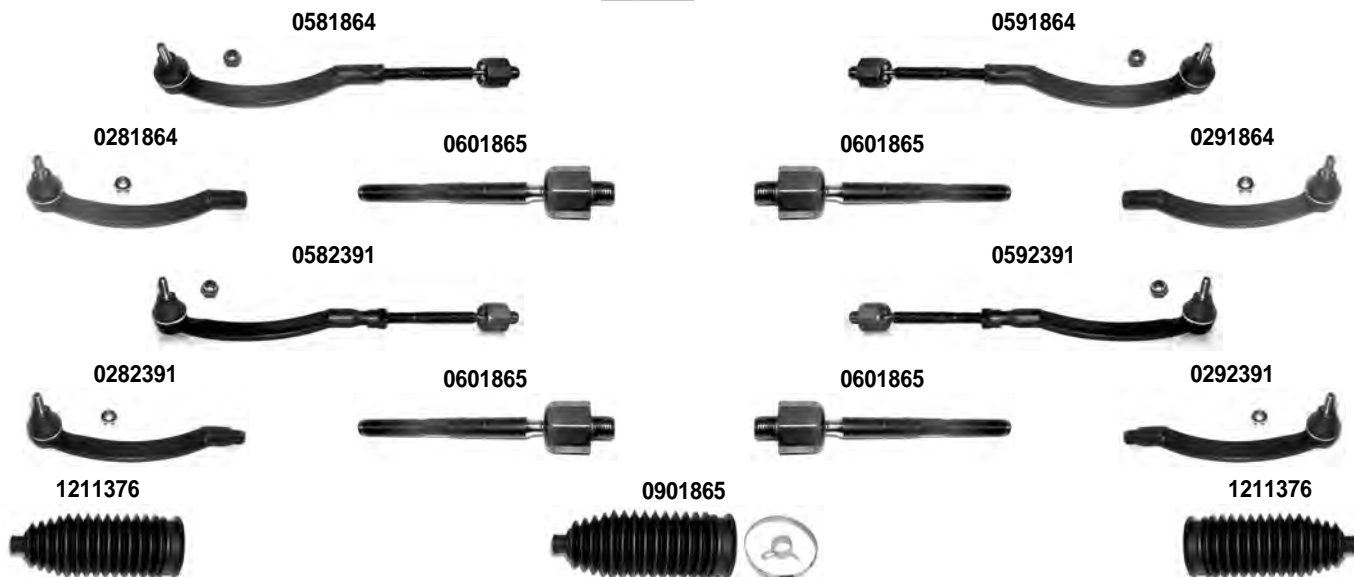
SINISTRO
LEFT

ONE - ONE D - COOPER CABRIO (ONE - COOPER - COOPER S) COOPER S	MINI R50 MINI R52 MINI R53	2000 > 2006 2002 > 2000 > 2006
--	----------------------------------	--------------------------------------

Asse Anteriore



Front Axle



i 1) > 05/2003	2) 05/2003 >
-----------------------	--------------

OCAP	O.E.		i	
0281864	32216754566	TESTA STERZO TIE ROD END	1)	
0282391	32116761560	TESTA STERZO TIE ROD END	2)	
0291864	32216754565	TESTA STERZO TIE ROD END	1)	
0292391	32116761559	TESTA STERZO TIE ROD END	2)	
0581864	32116754564	BARRA STERZO TIE ROD	1)	
0582391	32106777522	BARRA STERZO TIE ROD	2)	
0591864	32116754563	BARRA STERZO TIE ROD	1)	
0592391	32116777521	BARRA STERZO TIE ROD	2)	
0601865	32116754564 *	SNODO ASSIALE AXIAL JOINT		
0901865	32136756757	KIT CUFFIE STERZO STEERING GAITER KIT		
1211376	32136756757 *	CUFFIA STERZO STEERING GAITER		

DESTRO
RIGHT

 SINISTRO
LEFT

**ONE - ONE D - COOPER
CABRIO (ONE - COOPER - COOPER S)
COOPER S**

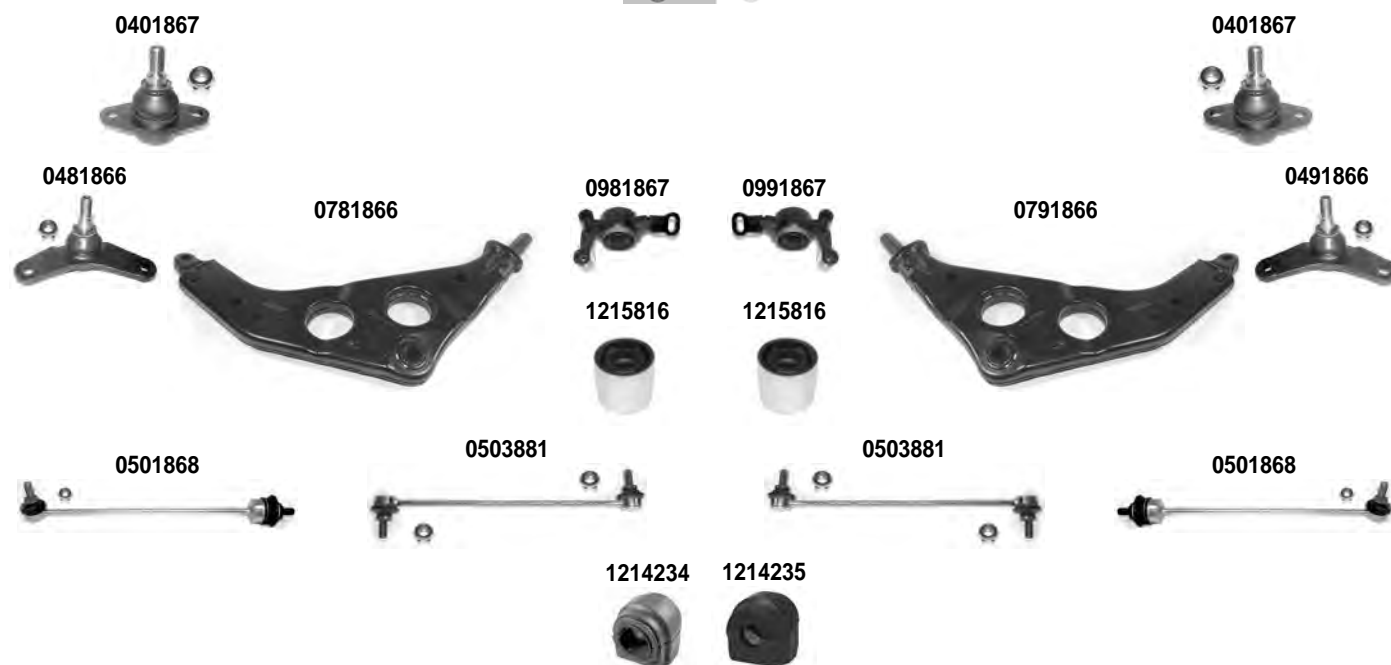
 MINI R50
MINI R52
MINI R53

 2000 > 2006
2002 >
2000 > 2006

Asse Anteriore



Front Axle



i 3) > 02/2002		4) 03/2002 >		
OCAP	O.E.		i	
0401867	31126756309	SNODO SOSPENSIONE - SUPERIORE BALL JOINT - UPPER		
0481866	31126753992	SNODO SOSPENSIONE - INFERIORE BALL JOINT - LOWER		
0491866	31126753991	SNODO SOSPENSIONE - INFERIORE BALL JOINT - LOWER		
0501868	31351507989	STABILIZZATORE STABILIZER LINK	3)	
0503881	31356778831	STABILIZZATORE STABILIZER LINK	4)	
0781866	31126761410	BRACCIO OSCILLANTE - INFERIORE TRACK CONTROL ARM - LOWER		
0791866	31126761409	BRACCIO OSCILLANTE - INFERIORE TRACK CONTROL ARM - LOWER		
0981867	31126757562	SUPPORTO BRACCIO CONTROL ARM SUPPORT		
0991867	31126757561	SUPPORTO BRACCIO CONTROL ARM SUPPORT		
1214234	31356757146	SILENTBLOCK BARRA STABILIZZATRICE STABILIZING BAR BUSHING		DIAM. 22,5 mm.
1214235	31356757069	SILENTBLOCK BARRA STABILIZZATRICE STABILIZING BAR BUSHING		DIAM. 16 mm.
1215816	31126767530	SILENTBLOCK SUPPORTO BRACCIO CONTROL ARM BUSHING SUPPORT		

DESTRO
RIGHT



SINISTRO
LEFT

ONE - ONE D - COOPER CABRIO (ONE - COOPER - COOPER S) COOPER S	MINI R50 MINI R52 MINI R53	2000 > 2006 2002 > 2000 > 2006
--	----------------------------------	--------------------------------------

Asse Posteriore



Rear Axle



OCAP	O.E.			
0501869	33551507999	STABILIZZATORE STABILIZER LINK		
0705561	33326768724	BRACCIO OSCILLANTE TRACK CONTROL ARM		
1214237	33556756151	SILENTBLOCK BARRA STABILIZZATRICE STABILIZING BAR BUSHING		DIAM. 16 mm.
1216149	33326768724 *	SILENTBLOCK BUSHING		

DESTRO
RIGHT

 SINISTRO
LEFT

ONE - COOPER
CLUBMAN ONE - COOPER
CABRIOLET ONE - COOPER
COUPE' - ROADSTER

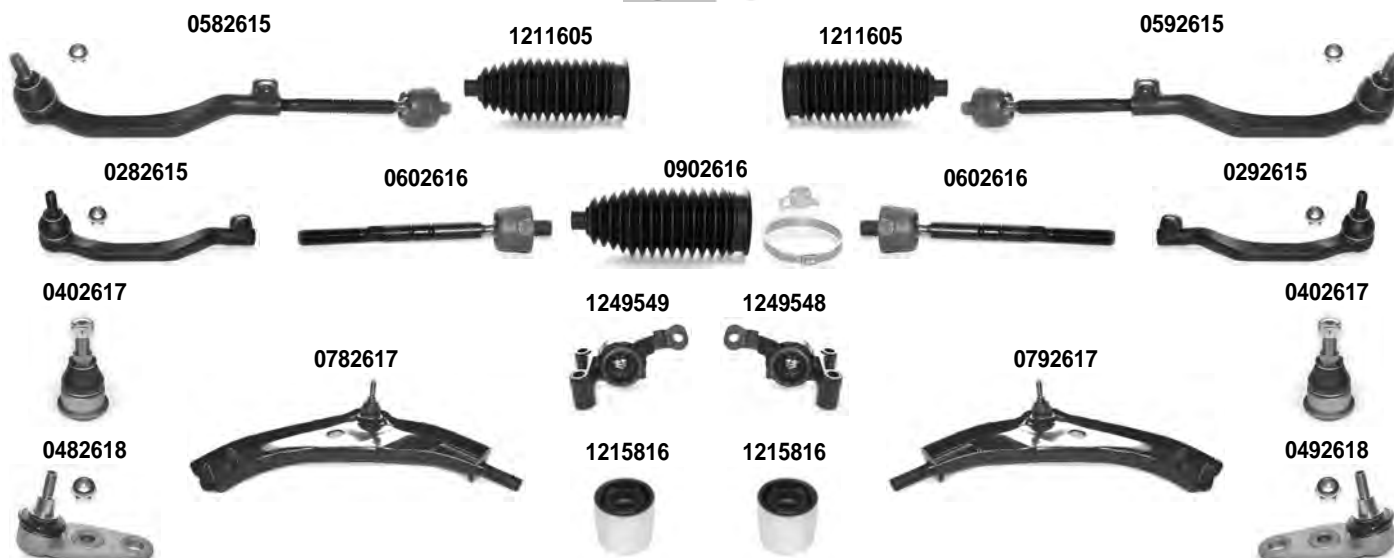
 R56
 R55
 R57
 R58-R59

 2006 > 2013
 10/2007 > 2014
 11/2007 > 2015
 09/2011 > 2015

Asse Anteriore



Front Axle


i 1) 11/2006 >

OCAP	O.E.			
0282615	32106778438	TESTA STERZO TIE ROD END		RHT M14x1,5
0292615	32106778437	TESTA STERZO TIE ROD END		RHT M14x1,5
0402617	31126772302 *	SNODO SOSPENSIONE CENTRALE - BRACCIO OSCILLANTE CENTRAL BALL JOINT CONTROL ARM		
0482618	31126772304	SNODO SOSPENSIONE ESTREMO - BRACCIO OSCILLANTE OUTER BALL JOINT CONTROL ARM	1)	
0492618	31126772303	SNODO SOSPENSIONE ESTREMO - BRACCIO OSCILLANTE OUTER BALL JOINT CONTROL ARM	1)	
0582615	32106778548	BARRA STERZO TIE ROD		
0592615	32106778547	BARRA STERZO TIE ROD		
0602616	32109803322 *	SNODO ASSIALE AXIAL JOINT		RHT M14x1,5
0782617	31126772302	BRACCIO OSCILLANTE TRACK CONTROL ARM		
0792617	31126772301	BRACCIO OSCILLANTE TRACK CONTROL ARM		
0902616	32106778560	KIT CUFFIA STERZO STEERING GAITER KIT		
1211605	32106778560 *	CUFFIA STERZO STEERING GAITER		
1215816	31126767530	SILENTBLOCK BRACCIO OSCILLANTE - ESTREMO TRACK CONTROL ARM BUSHING - OUTER		
1249548	31126772235	SUPPORTO CON SILENTBLOCK PER BRACCIO OSCILLANTE - ESTREMO TRACK CONTROL ARM SUPPORT - OUTER		
1249549	31126772236	SUPPORTO CON SILENTBLOCK PER BRACCIO OSCILLANTE - ESTREMO TRACK CONTROL ARM SUPPORT - OUTER		

DESTRO
RIGHT



SINISTRO
LEFT

ONE - COOPER CLUBMAN ONE - COOPER CABRIOLET ONE - COOPER COUPE' - ROADSTER	R56 R55 R57 R58-R59	2006 > 2013 10/2007 > 2014 11/2007 > 2015 09/2011 > 2015
---	------------------------------	---

Asse Anteriore



Front Axle



Asse Posteriore



Rear Axle



OCAP	O.E.			
0502619	33506772789	STABILIZZATORE STABILIZER LINK		
0503881	31356778831	STABILIZZATORE STABILIZER LINK		
0705561	33326768724	BRACCIO OSCILLANTE TRACK CONTROL ARM		
1214234	31356757146	SILENTBLOCK BARRA STABILIZZATRICE STABILIZING BAR BUSHING		DIAM. 22,5 mm.
1214236	31356772843	SILENTBLOCK BARRA STABILIZZATRICE STABILIZING BAR BUSHING		DIAM. 21,5 mm.
1214237	33556756151	SILENTBLOCK BARRA STABILIZZATRICE STABILIZING BAR BUSHING		DIAM. 16 mm.
1214238	33556754823	SILENTBLOCK BARRA STABILIZZATRICE STABILIZING BAR BUSHING		DIAM. 15 mm.
1216149	33326768724 *	SILENTBLOCK BUSHING		

DESTRO
RIGHT



SINISTRO
LEFT

ONE - COOPER
CABRIOLET

F55-F56
F57

12/2013 >
09/2015 >

Asse Anteriore



Front Axle



OCAP	O.E.			
0288508	32106854737	TESTA STERZO TIE ROD END		RHT M14x1,5
0298508	32106854734	TESTA STERZO TIE ROD END		RHT M14x1,5
0508507	31306862863	STABILIZZATORE STABILIZER LINK		
0588508	32106854736	BARRA STERZO TIE ROD		
0598508	32106854733	BARRA STERZO TIE ROD		
0608509	32106854736 *	SNODO ASSIALE AXIAL JOINT		RHT M14x1,5
0788510	31126850398	BRACCIO OSCILLANTE TRACK CONTROL ARM		
0798510	31126850397	BRACCIO OSCILLANTE TRACK CONTROL ARM		
0908508	32106865380	KIT CUFFIA STERZO STEERING GAITER KIT		
1216336	31126850398 *	SILENTBLOCK BUSHING		
1216359	31126850404	SILENTBLOCK BUSHING		
1216360	31126850403	SILENTBLOCK BUSHING		

DESTRO
RIGHT



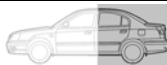
SINISTRO
LEFT

**ONE - COOPER
CABRIOLET**

F55-F56
F57

12/2013 >
09/2015 >

Asse Posteriore



Rear Axle

0508511



0708536



0708537



0508511



0708536



0708537



i 1) ECCElTO - EXCEPT CABRIOLET

OCAP	O.E.		i	
0508511	33506862865	STABILIZZATORE STABILIZER LINK		
0708536	33326851563	BRACCIO OSCILLANTE TRACK CONTROL ARM	1)	
0708537	33326851569	BRACCIO OSCILLANTE TRACK CONTROL ARM	1)	

DESTRO
RIGHT



SINISTRO
LEFT

COUNTRYMAN
PACEMAN

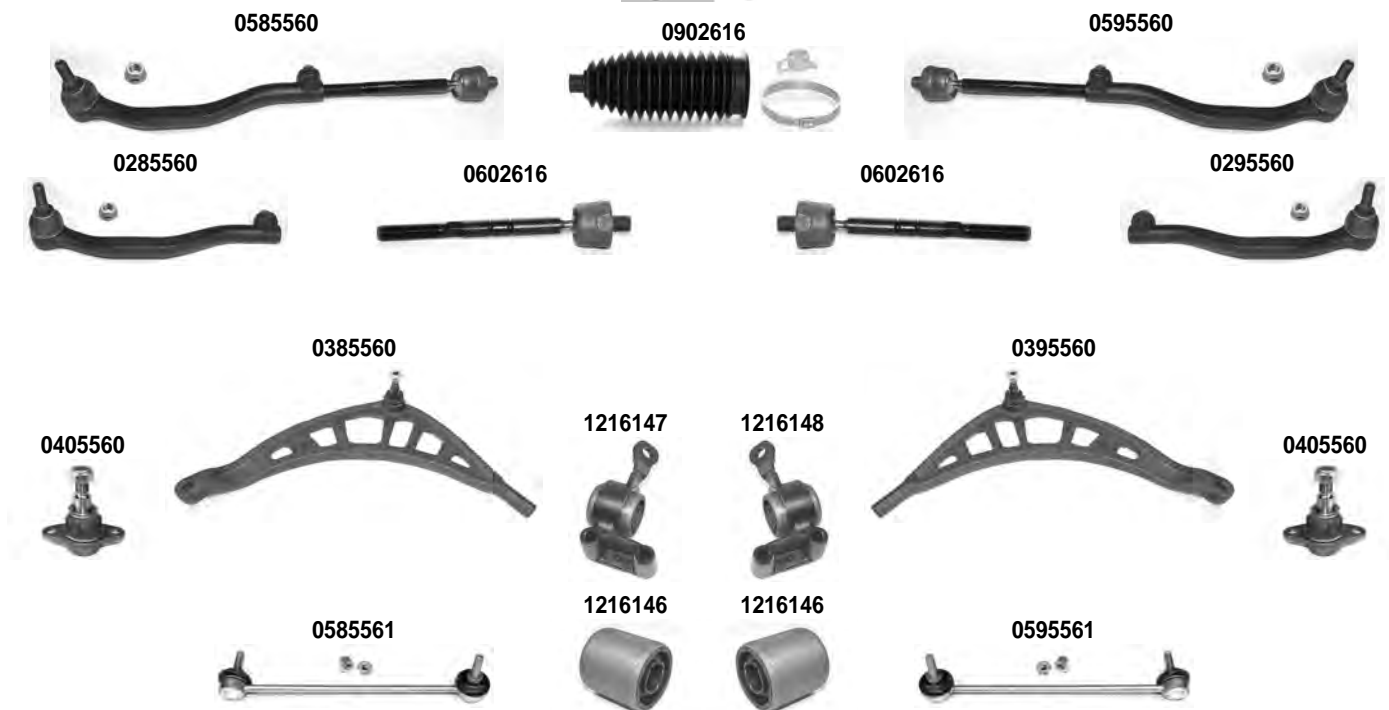
R60
R61

06/2010 > 2016
04/2012 > 2016

Asse Anteriore



Front Axle



OCAP	O.E.		i	
0285560	32109805552	TESTA STERZO TIE ROD END		RHT M14x1,5
0295560	32109805551	TESTA STERZO TIE ROD END		RHT M14x1,5
0385560	31129806520	BRACCIO OSCILLANTE - ACCIAIO TRACK CONTROL ARM - STEEL		
0395560	31129806519	BRACCIO OSCILLANTE - ACCIAIO TRACK CONTROL ARM - STEEL		
0405560	31109803662	SNODO SOSPENSIONE BALL JOINT		
0585560	32109803322	BARRA STERZO TIE ROD		
0585561	31359806352	STABILIZZATORE STABILIZER LINK		
0595560	32109803321	BARRA STERZO TIE ROD		
0595561	31359806351	STABILIZZATORE STABILIZER LINK		
0602616	32109803322 *	SNODO ASSIALE AXIAL JOINT		RHT M14x1,5
0902616	32106778560	KIT CUFFIA STERZO STEERING GAITER KIT		
1216146	31129803788	SILENTBLOCK BUSHING		
1216147	31129803498	SUPPORTO BRACCIO OSCILLANTE TRACK CONTROL ARM SUPPORT		
1216148	31129803497	SUPPORTO BRACCIO OSCILLANTE TRACK CONTROL ARM SUPPORT		

DESTRO
RIGHT



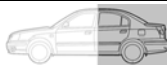
SINISTRO
LEFT

COUNTRYMAN
PECEMAN

R60
R61

06/2010 > 2016
04/2012 > 2016

Asse Posteriore



Rear Axle

0705561



0705561



1216149



1216149



1216149



1216149



0585572



0595572



OCAP	O.E.			
0585572	33509803516	STABILIZZATORE STABILIZER LINK		
0595572	33509803515	STABILIZZATORE STABILIZER LINK		
0705561	33326768724	BRACCIO OSCILLANTE TRACK CONTROL ARM		
1216149	33326768724 *	SILENTBLOCK BUSHING		

DESTRO
RIGHT



SINISTRO
LEFT

COUNTRYMAN
CLUBMAN

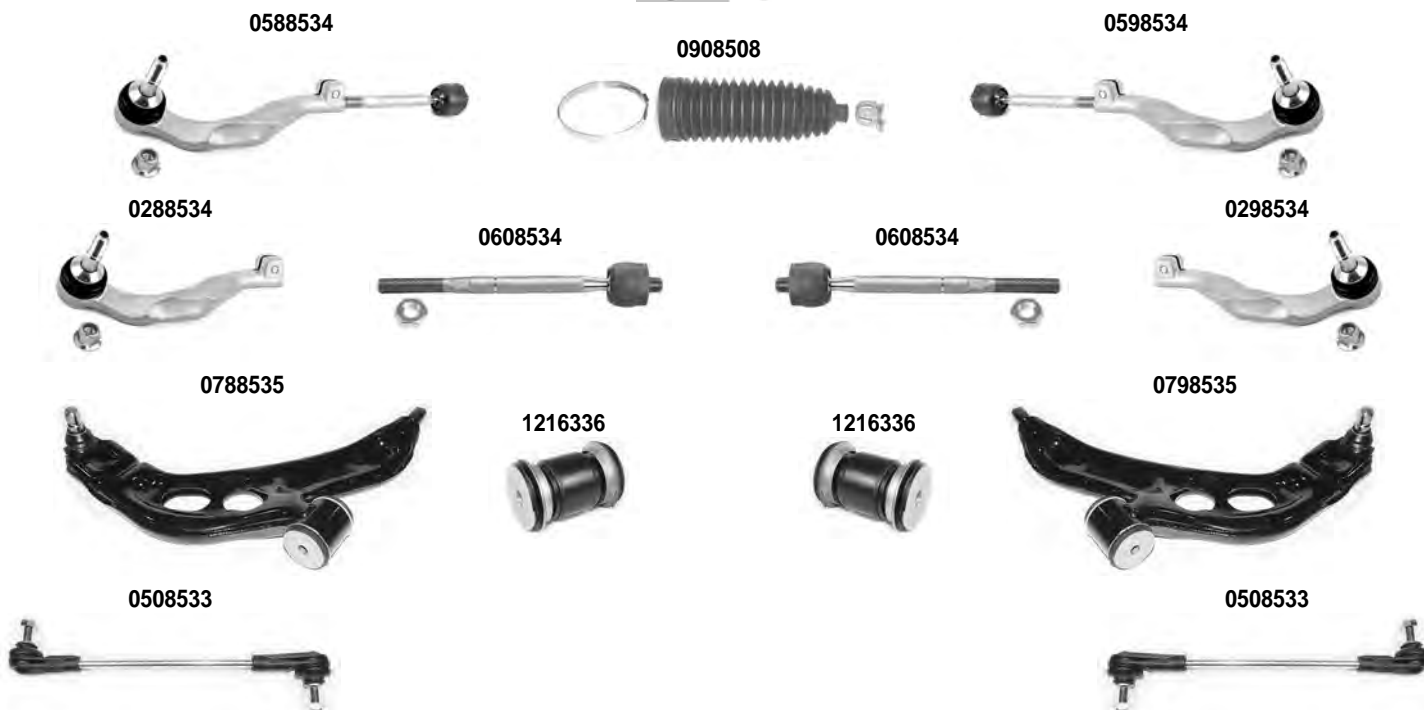
F60
F54

10/2016 >
11/2014 >

Asse Anteriore



Front Axle



Asse Posteriore



Rear Axle



i 1) ECCETTO - EXCEPT COUNTRYMAN

OCAP	O.E.		i	
0288534	32106869425	TESTA STERZO TIE ROD END		RHT M14x1,5
0298534	32106869424	TESTA STERZO TIE ROD END		RHT M14x1,5
0508511	33506862865	STABILIZZATORE STABILIZER LINK		
0508533	31306862864	STABILIZZATORE STABILIZER LINK		
0588534	32106867405	BARRA STERZO TIE ROD		
0598534	32106867404	BARRA STERZO TIE ROD		
0608534	32106867405 *	SNODO ASSIALE AXIAL JOINT		RHT M14x1,5
0788535	31126871302	BRACCIO OSCILLANTE TRACK CONTROL ARM	1)	
0798535	31126871301	BRACCIO OSCILLANTE TRACK CONTROL ARM	1)	
0908508	32106865380	KIT CUFFIA STERZO STEERING GAITER KIT		
1216336	31126850398 *	SILENTBLOCK BUSHING	1)	



ASX	GA	02/2010 >
-----	----	-----------

Asse Anteriore

Front Axle



i 1) > 05/2014	2) 05/2014 >
-----------------------	--------------

OCAP	O.E.		i	
0288077	381774	TESTA STERZO TIE ROD END		RHT M14x1,5
0408077	3521V0 *	SNODO SOSPENSIONE - INFERIORE BALL JOINT - LOWER		
0604134	4422A076	SNODO ASSIALE AXIAL JOINT		RHT M14x1,5 L=339
0788077	3521V0	BRACCIO OSCILLANTE - INFERIORE TRACK CONTROL ARM - LOWER	1)	
0788669	1612753580	BRACCIO OSCILLANTE - INFERIORE TRACK CONTROL ARM - LOWER	2)	
0798077	3520V0	BRACCIO OSCILLANTE - INFERIORE TRACK CONTROL ARM - LOWER	1)	
0798669	1612753380	BRACCIO OSCILLANTE - INFERIORE TRACK CONTROL ARM - LOWER	2)	
0908669	1607502280 *	KIT CUFFIA STERZO STEERING GAITER KIT		
1216071	-	SILENTBLOCK - CENTRALE CENTRAL BUSHING		
1216072	3523CS	SILENTBLOCK - ESTREMO OUTER BUSHING		

DESTRO
RIGHT

 SINISTRO
LEFT

ASX	GA	02/2010 >
-----	----	-----------

Asse Anteriore



Front Axle

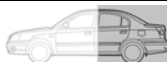
0508077



0508077



Asse Posteriore



Rear Axle

0708839



0708670



0708670



0708839





0588077



0598077



i 3) > 07/2012	4) 07/2012 >
-----------------------	--------------

OCAP	O.E.		i	
0508077	508758	STABILIZZATORE STABILIZER LINK		
0588077	517849	STABILIZZATORE STABILIZER LINK		
0598077	517848	STABILIZZATORE STABILIZER LINK		
0708670	1612754780	BRACCIO OSCILLANTE TRACK CONTROL ARM	4)	L=245
0708839	4117A007	BRACCIO OSCILLANTE TRACK CONTROL ARM	3)	L=165

CANTER

DESTRO
RIGHT



SINISTRO
LEFT

CANTER	T210-T220-FE-FB-FC	1973 >
--------	--------------------	--------

Asse Anteriore



Front Axle

0182944



0182945



0192944



0192945



i 1) > 1985	2) 1985 >
--------------------	-----------

OCAP	O.E.		i	
0182944	MW-033301	TESTA STERZO TIE ROD END	1)	RHT M20x1,5
0182945	MB-162811	TESTA STERZO TIE ROD END	2)	
0192944	MW-033300	TESTA STERZO TIE ROD END	1)	LHT M20x1,5
0192945	MB-162810	TESTA STERZO TIE ROD END	2)	

DESTRO
RIGHT



SINISTRO
LEFT

CARISMA

DA

1995 >1999

Asse Anteriore



Front Axle



OCAP	O.E.		
0283440	MB-912076	TESTA STERZO TIE ROD END	RHT M12x1,25
0400482	MB-241883	SNODO SOSPENSIONE - INFERIORE BALL JOINT - LOWER	
0504470	MR-272116	STABILIZZATORE STABILIZER LINK	
0600481	MR-244901	SNODO ASSIALE TIE ROD END	RHT M12x1,25
0780482	MR-915770	BRACCIO OSCILLANTE - INFERIORE TRACK CONTROL ARM - LOWER	
0790482	MR-915769	BRACCIO OSCILLANTE - INFERIORE TRACK CONTROL ARM - LOWER	
1215291	MR-915769	SILENTBLOCK ESTREMO OUTER BUSHING	
1215292	MR-915769	SILENTBLOCK ESTREMO OUTER BUSHING	
1215293	MR-915769	SILENTBLOCK CENTRALE CENTRAL BUSHING	

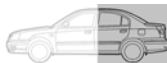
DESTRO
RIGHT



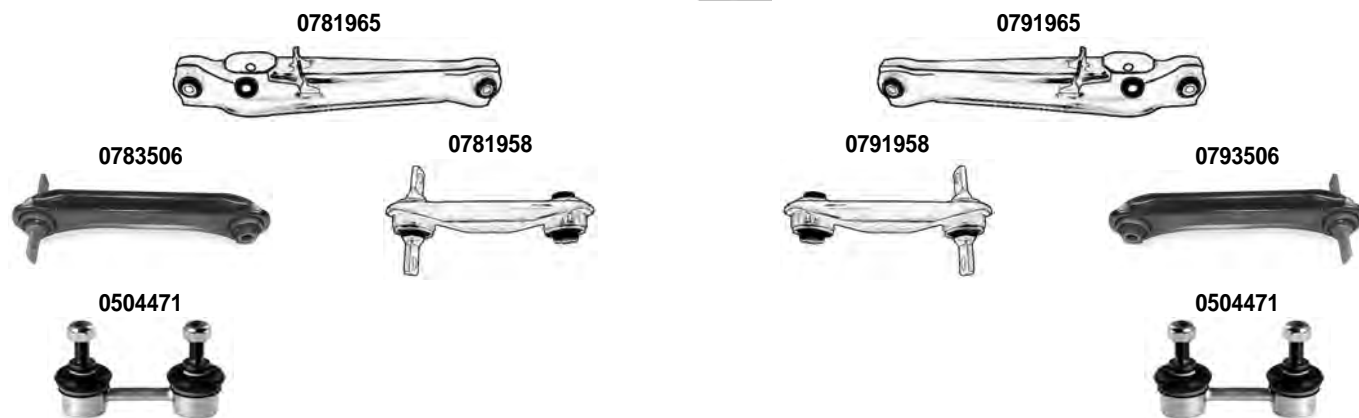
SINISTRO
LEFT

CARISMA	DA	1995 >1999
---------	----	------------

Asse Posteriore



Rear Axle



OCAP	O.E.			
0504471	MR-272117	STABILIZZATORE STABILIZER LINK		
0781958	MB-809223	BRACCIO SOSPENSIONE SUSPENSION LINK		
0781965	MR-171308	BRACCIO OSCILLANTE TRACK CONTROL ARM		
0783506	MB-809221	BRACCIO SOSPENSIONE SUSPENSION LINK		
0791958	MB-809222	BRACCIO SOSPENSIONE SUSPENSION LINK		
0791965	MR-171307	BRACCIO OSCILLANTE TRACK CONTROL ARM		
0793506	MB-809220	BRACCIO SOSPENSIONE SUSPENSION LINK		

DESTRO
RIGHT



SINISTRO
LEFT

CARISMA

DA

06/1999 >

Asse Anteriore



Front Axle

0283440



0600481



0600481



0283440



0601963



0601963



0401964



0781751



0791751



0401964



0504470



0504470



1) > 01/1999

2) 02/1999 >

OCAP	O.E.			
0283440	MR-476457	TESTA STERZO TIE ROD END		RHT M12x1,25
0401964	MR-297242 *	SNODO SOSPENSIONE - INFERIORE SUSPENSION JOINT - LOWER		
0504470	MR-272116	STABILIZZATORE STABILIZER LINK		
0600481	MR-244901	SNODO ASSIALE AXIAL JOINT	1)	RHT M12x1,25
0601963	MR-403027	SNODO ASSIALE AXIAL JOINT	2)	
0781751	MR-911569	BRACCIO OSCILLANTE TRACK CONTROL ARM		
0791751	MR-911570	BRACCIO OSCILLANTE TRACK CONTROL ARM		

DESTRO
RIGHT



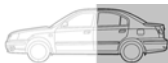
SINISTRO
LEFT

CARISMA

DA

06/1999 >

Asse Posteriore



Rear Axle

0781965



0791965



0781958



0781998



0791998



0791958



0180466-K



0180466



0180466



0180466-K



OCAP	O.E.			
0180466	MR-272118	STABILIZZATORE STABILIZER LINK		
0781958	MB-809223	BRACCIO SOSPENSIONE SUSPENSION LINK		
0781965	MR-171308	BRACCIO OSCILLANTE TRACK CONTROL ARM		
0781998	MR-130480	BRACCIO SOSPENSIONE SUSPENSION LINK		
0791958	MB-809222	BRACCIO SOSPENSIONE SUSPENSION LINK		
0791965	MR-171307	BRACCIO OSCILLANTE TRACK CONTROL ARM		
0791998	MR-130479	BRACCIO SOSPENSIONE SUSPENSION LINK		
0180466-K	30884359 *	KIT STABILIZZATORE STABILIZER LINK KIT		

DESTRO
RIGHT

 SINISTRO
LEFT

COLT II
LANCER III - LANCER III SW - MIRAGE

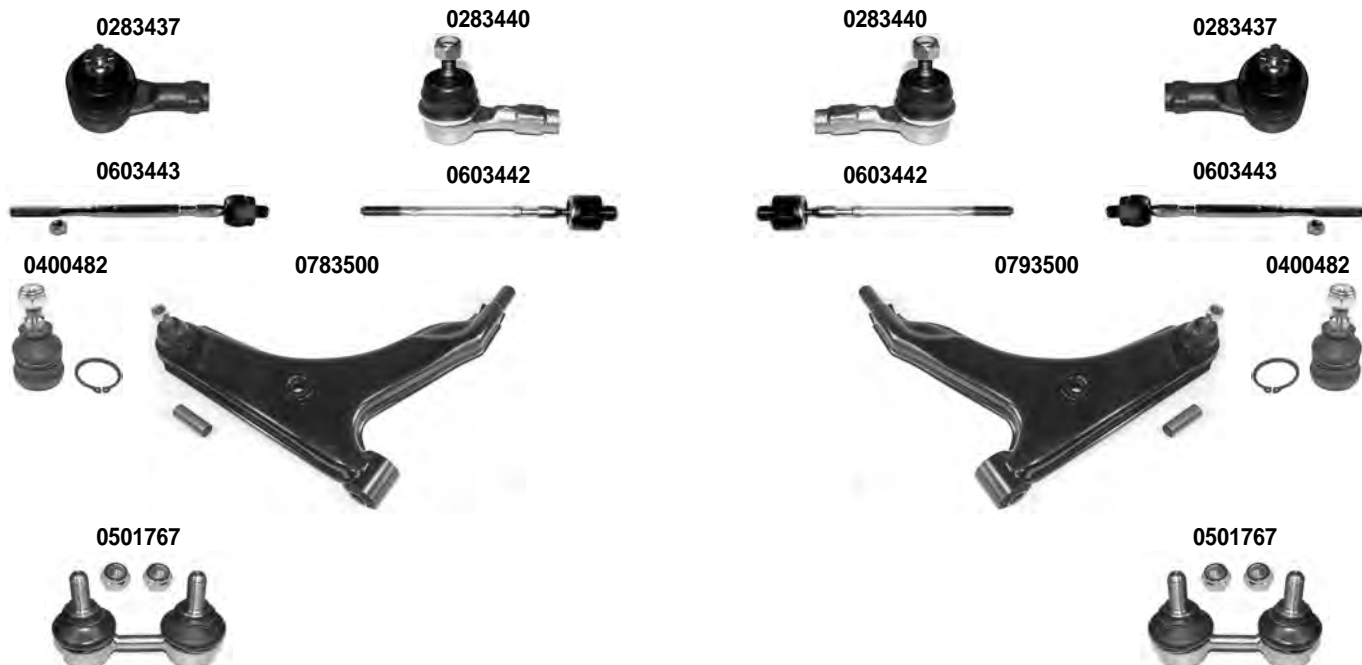
 C1A
 C1A-C6A-C1V-C3V

 02/1984 > 04/1988
 11/1983 > 06/1992

Asse Anteriore



Front Axle



i 1) > 1986 3) SERVOSTERZO - POWER STEERING	2) 1986 >
---	-----------

OCAP	O.E.			
0283437	MB-241982	TESTA STERZO TIE ROD END	i	
0283440	MB-912076	TESTA STERZO TIE ROD END	2)	RHT M12x1,5
0400482	MB-241883	SNODO SOSPENSIONE INFERIORE SUSPENSION JOINT - LOWER		
0501767	MB-518892	STABILIZZATORE STABILIZER LINK		
0603442	MB-350718	SNODO ASSIALE AXIAL JOINT	3)	
0603443	MB-347666	SNODO ASSIALE AXIAL JOINT		
0783500	MB-349445	BRACCIO OSCILLANTE TRACK CONTROL ARM		
0793500	MB-349446	BRACCIO OSCILLANTE TRACK CONTROL ARM		

DESTRO
RIGHT



SINISTRO
LEFT

COLT III
LANCER IV - LANCER IV SW - MIRAGE

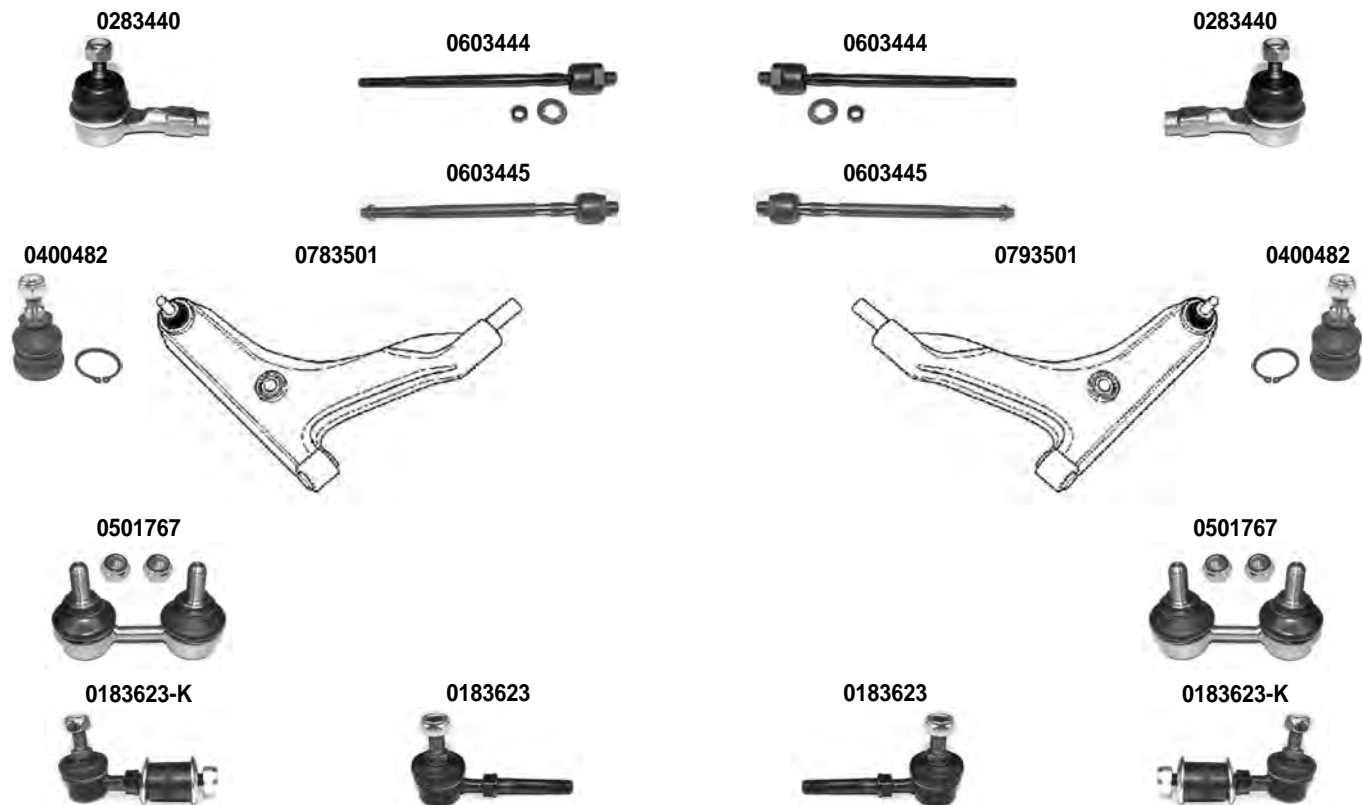
C5A
C6A-C7A

04/1988 > 05/1992
04/1988 > 05/1992

Asse Anteriore



Front Axle



i 2) STERZO MANUALE - MANUAL STEERING	3) SERVOSTERZO - POWER STEERING
--	--

OCAP	O.E.		i	
0183623	MB-518780	STABILIZZATORE STABILIZER LINK		
0283440	MB-912076	TESTA STERZO TIE ROD END		RHT M12x1,25
0400482	MB-241883	SNODO SOSPENSIONE INFERIORE SUSPENSION JOINT - LOWER		
0501767	MR-518892	STABILIZZATORE STABILIZER LINK		
0603444	MB-553249	SNODO ASSIALE AXIAL JOINT	2)	RHT M16x1,5
0603445	MB-910934	SNODO ASSIALE AXIAL JOINT	3)	RHT M16x1,5
0783501	MB-518807	BRACCIO OSCILLANTE TRACK CONTROL ARM		
0793501	MB-518806	BRACCIO OSCILLANTE TRACK CONTROL ARM		
0183623-K	MB-518780 *	KIT STABILIZZATORE STABILIZER LINK KIT		

DESTRO
RIGHT

 SINISTRO
LEFT

COLT IV
LANCER V - LANCER V SW - MIRAGE

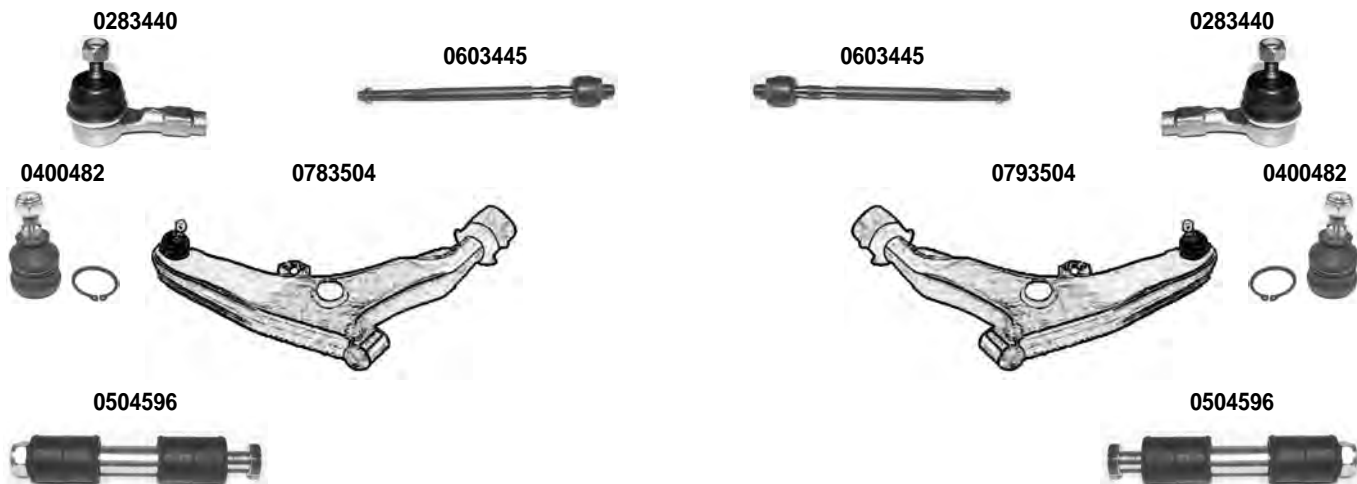
 CAA
 CB/DA-CBW-CDW

 04/1992 > 08/1995
 06/1992 > 11/1995

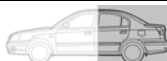
Asse Anteriore



Front Axle



Asse Posteriore



Rear Axle



OCAP	O.E.		i	
0283440	MB-912076	TESTA STERZO TIE ROD END		RHT M12x1,25
0400482	MB-241883	SNODO SOSPENSIONE INFERIORE SUSPENSION JOINT - LOWER		
0502803	MB-809354	STABILIZZATORE STABILIZER LINK		
0504596	MR-954888	STABILIZZATORE STABILIZER LINK		
0603445	MB-910934	SNODO ASSIALE AXIAL JOINT		RHT M16x1,5
0783504	MB-912078	BRACCIO OSCILLANTE TRACK CONTROL ARM		
0783505	MB-910841	BRACCIO SOSPENSIONE SUSPENSION LINK		
0783506	MB-809221	BRACCIO SOSPENSIONE SUSPENSION LINK		
0793504	MB-912077	BRACCIO OSCILLANTE TRACK CONTROL ARM		
0793505	MB-910842	BRACCIO SOSPENSIONE SUSPENSION LINK		
0793506	MB-809220	BRACCIO SOSPENSIONE SUSPENSION LINK		

DESTRO
RIGHT



SINISTRO
LEFT

COLT V
LANCER VI - LANCER VI SW

CJ-CP
CJ-CP

09/1995 > 07/2005
12/1995 >

Asse Anteriore

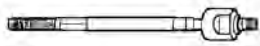


Front Axle

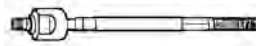
0283440



0602993



0602993



0283440



0781959



0791959



0400482



0400482



Asse Posteriore



Rear Axle

0701960



0701960



0783506



0793506



0781958



0791958



OCAP	O.E.			
0283440	MB-912076	TESTA STERZO TIE ROD END		RHT M12x1,5
0400482	MB-241883	SNODO SOSPENSIONE INFERIORE SUSPENSION JOINT - LOWER		
0602993	MR-297969	SNODO ASSIALE AXIAL JOINT		RHT M12x1,5
0701960	MR-197284	BRACCIO SOSPENSIONE SUSPENSION LINK		
0781958	MB-809223	BRACCIO SOSPENSIONE SUSPENSION LINK		
0781959	MR-241342	BRACCIO OSCILLANTE TRACK CONTROL ARM		
0783506	MB-809221	BRACCIO SOSPENSIONE SUSPENSION LINK		
0791958	MB-809222	BRACCIO SOSPENSIONE SUSPENSION LINK		
0791959	MR-241341	BRACCIO OSCILLANTE TRACK CONTROL ARM		
0793506	MB-809220	BRACCIO SOSPENSIONE SUSPENSION LINK		

DESTRO
RIGHT

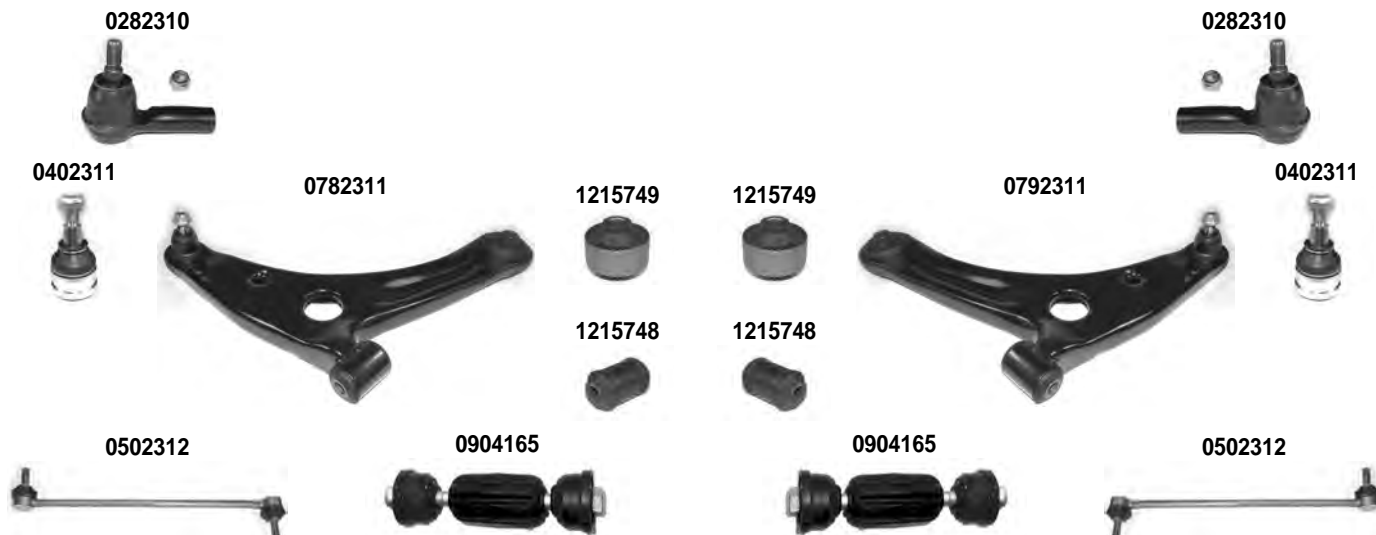
 SINISTRO
LEFT

COLT VI COLT VII	Z3 - Z2 Z2 - CZ	06/2004 > 09/2008 >
---------------------	--------------------	------------------------

Asse Anteriore



Front Axle


i 1) SOLO PER - ONLY FOR - COLT VI

OCAP	O.E.		
0282310	MR-977606	TESTA STERZO TIE ROD END	
0402311	4543300807 *	SNODO SOSPENSIONE BALL JOINT	
0502312	MR-961477	STABILIZZATORE STABILIZER LINK	1)
0782311	4543300807	BRACCIO OSCILLANTE TRACK CONTROL ARM	
0792311	4543300707	BRACCIO OSCILLANTE TRACK CONTROL ARM	
0904165	4056A052	STABILIZZATORE STABILIZER LINK	
1215748	4543300807 **	SILENTBLOCK CENTRALE CENTRAL BUSHING	
1215749	4543300707 **	SILENTBLOCK ESTREMO OUTER BUSHING	

DESTRO
RIGHT



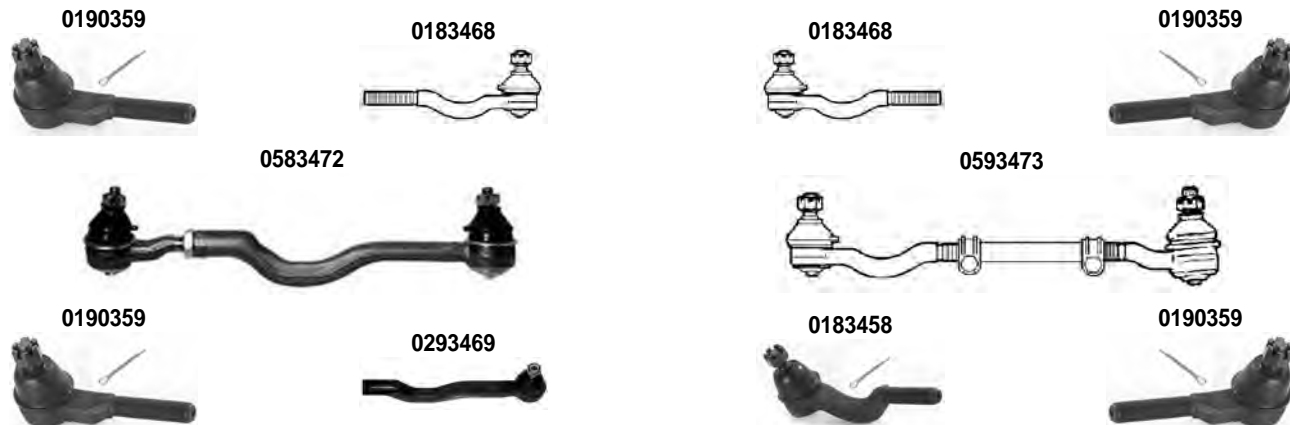
SINISTRO
LEFT

GALANT - SAPPORO - ETERNA	A12-A12V-A16-A16V-E1A A12-A16A	1969 > 1986
----------------------------------	-----------------------------------	-------------

Asse Anteriore



Front Axle



i 1) > 1976	2) 1976 > 1986
--------------------	----------------

OCAP	O.E.		i	
0183458	MB-076003	TESTA STERZO INTERNA <i>TIE ROD END</i>	2)	RHT M14x1,5
0183468	MA-169613	TESTA STERZO INTERNA <i>TIE ROD INNER</i>	1)	RHT M14x1,5
0190359	MA-159984	TESTA STERZO ESTERNA <i>TIE ROD OUTER</i>		LHT M14x1,5
0293469	MB-076004	TESTA STERZO INTERNA <i>TIE ROD INNER</i>	2)	LHT M14x1,5
0583472	MB-076002	BARRA STERZO <i>TIE ROD</i>	2)	
0593473	MB-076001	BARRA STERZO <i>TIE ROD</i>	2)	

DESTRO
RIGHT

 SINISTRO
LEFT

GALANT - SAPPORO - ETERNA

 A12-A12V-A16-A16V-E1A
A12-A16A

1969 > 1986

Asse Anteriore



Front Axle



i	2) 1976 > 1986	3) 1976 >	
	4) > 1973		5) 1973 > 1986
	6) SOLO PER - ONLY FOR: 1.6		

OCAP	O.E.		i	
0303461	MB-166566	LEVA STERZO <i>PITMAN ARM</i>	3)	
0303474	MB-241165	LEVA STERZO <i>PITMAN ARM</i>	3)6)	
0303475	MB-241495	BRACCIO STERZO <i>IDLER ARM</i>	2)	
0403476	MB-001695	SNODO SOSPENSIONE INFERIORE <i>SUSPENSION JOINT - LOWER</i>	4)	
0403477	MB-001699	SNODO SOSPENSIONE INFERIORE <i>SUSPENSION JOINT - LOWER</i>	5)	

GALANT - SAPPORO - ETERNA

DESTRO
RIGHT



SINISTRO
LEFT

GALANT - SAPPORO - ETERNA

A16-E1A-A16A

1980 > 1986

Asse Anteriore



Front Axle

0190359



0293470



0183458



0190359



0303461



0303475



0403478



0403478



OCAP	O.E.			
0183458	MB-076003	TESTA STERZO INTERNA <i>TIE ROD END INNER</i>		RHT M14x1,5
0190359	MA-159984	TESTA STERZO ESTERNA <i>TIE ROD OUTER</i>		LHT M14x1,5
0293470	MB-378703	TESTA STERZO INTERNA <i>TIE ROD END INNER</i>		LHT M14x1,5
0303461	MB-166566	LEVA STERZO <i>PITMAN ARM</i>		
0303475	MB-241495	BRACCIO STERZO <i>IDLER ARM</i>		
0403478	MB-185329	SNODO SOSPENSIONE INFERIORE <i>SUSPENSION JOINT - LOWER</i>		

DESTRO
RIGHT

 SINISTRO
LEFT

GALANT - ETERNA

E1A-E3A

1983 > 1992

Asse Anteriore



Front Axle

0283433

0283433

0603479

0603480

0603480

0603479

0603481

0603481

0501767

0400482

0400482

0501767

i 1) STERZO MANUALE - MANUAL STEERING - > 1987
3) 1987 >

2) SERVOSTERZO - POWER STEERING - > 1987

OCAP	O.E.		i	
0283433	MB-489434	TESTA STERZO ESTERNA TIE ROD END OUTER		RHT M14x1,5
0400482	MB-241883	SNODO SOSPENSIONE INFERIORE SUSPENSION JOINT - LOWER		
0501767	MR-518892	STABILIZZATORE STABILIZER LINK		
0603479	MB-266152	SNODO ASSIALE AXIAL JOINT	1)	RHT M14x1,5
0603480	MB-350577	SNODO ASSIALE AXIAL JOINT	2)	RHT M14x1,5
0603481	MB-532281	SNODO ASSIALE AXIAL JOINT	3)	RHT M14x1,5

DESTRO
RIGHT



SINISTRO
LEFT

GALANT V
ECLIPSE I
ECLIPSE II

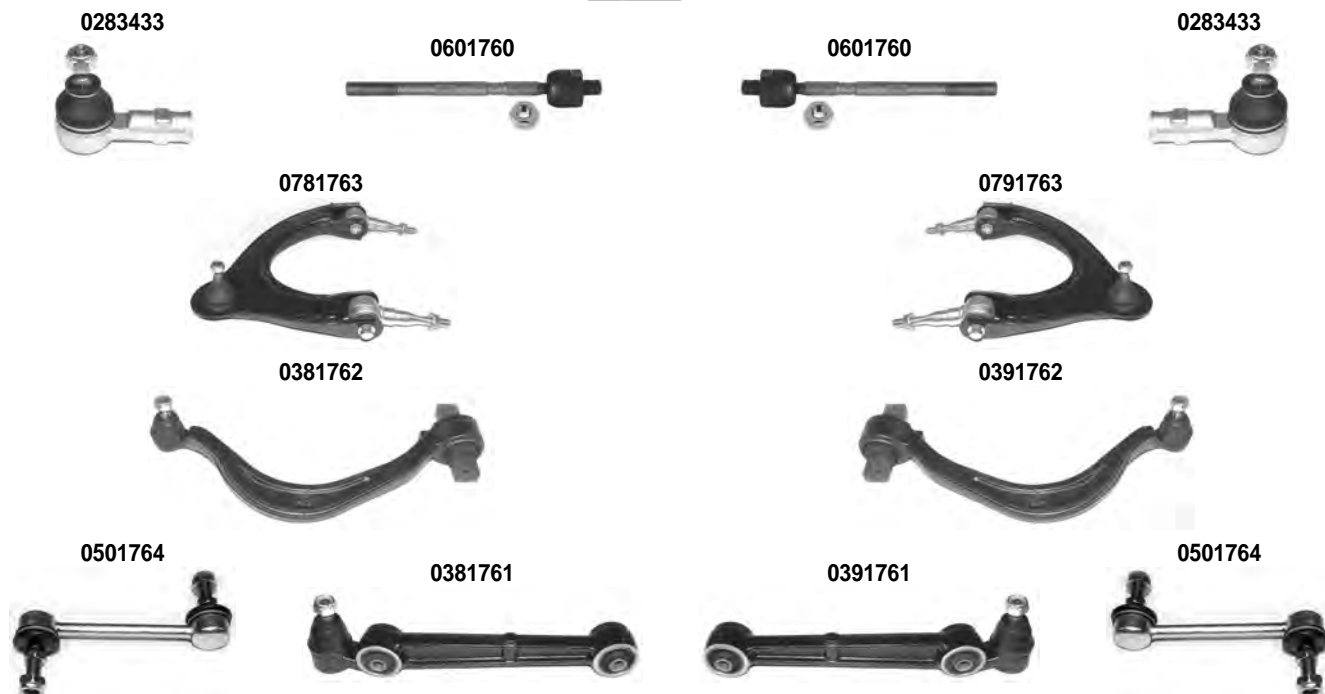
E5A-E7A-E8A
D2A
D3A

11/1992 > 08/1996
04/1991 > 12/1995
1996 >

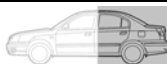
Asse Anteriore



Front Axle



Asse Posteriore



Rear Axle



OCAP	O.E.			
0283433	MB-912519	TESTA STERZO TIE ROD END		RHT M14x1,5
0381761	MR-296296	BRACCIO OSCILLANTE - INFERIORE LOWER TRACK CONTROL ARM		
0381762	MB-912512	BRACCIO OSCILLANTE - INFERIORE LOWER TRACK CONTROL ARM		
0391761	MR-296295	BRACCIO OSCILLANTE - INFERIORE LOWER TRACK CONTROL ARM		
0391762	MB-912511	BRACCIO OSCILLANTE - INFERIORE LOWER TRACK CONTROL ARM		
0501764	MB-892981	STABILIZZATORE STABILIZER LINK		
0501767	MR-518892	STABILIZZATORE STABILIZER LINK		
0601760	MR-403872	SNODO ASSIALE AXIAL JOINT		RHT M14x1,5
0781763	MR-162804	BRACCIO OSCILLANTE - SUPERIORE UPPER TRACK CONTROL ARM		
0791763	MR-162803	BRACCIO OSCILLANTE - SUPERIORE UPPER TRACK CONTROL ARM		

DESTRO
RIGHT



SINISTRO
LEFT

GALANT VI

EA

09/1996 > 10/2004

Asse Anteriore



Front Axle

0283433



0601760



0601760



0283433



0781763



0791763



0381762



0391762



0501764



0381761



0391761



0501764



Asse Posteriore



Rear Axle

0501577



0501577



OCAP	O.E.		
0283433	MB-912519	TESTA STERZO TIE ROD END	RHT M14x1,5
0381761	MR-296296	BRACCIO OSCILLANTE - INFERIORE LOWER TRACK CONTROL ARM	
0381762	MB-912512	BRACCIO OSCILLANTE - INFERIORE LOWER TRACK CONTROL ARM	
0391761	MR-296295	BRACCIO OSCILLANTE - INFERIORE LOWER TRACK CONTROL ARM	
0391762	MB-912511	BRACCIO OSCILLANTE - INFERIORE LOWER TRACK CONTROL ARM	
0501577	MR-131732	STABILIZZATORE STABILIZER LINK	
0501764	MB-892981	STABILIZZATORE STABILIZER LINK	
0601760	MR-403872	SNODO ASSIALE AXIAL JOINT	RHT M14x1,5
0781763	MR-162804	BRACCIO OSCILLANTE - SUPERIORE UPPER TRACK CONTROL ARM	
0791763	MR-162803	BRACCIO OSCILLANTE - SUPERIORE UPPER TRACK CONTROL ARM	

DESTRO
RIGHT



SINISTRO
LEFT

LANCER LANCER CELESTE LANCER - VAN	A17 A17 A17	1973 > 1977 1975 > 1980 1979 > 1984
--	-------------------	---

Asse Anteriore



Front Axle

0190359



0183468



0183468



0190359



0403477





0303484



0403477



OCAP	O.E.		
0183468	MA-169613	TESTA STERZO INTERNA TIE ROD INNER	RHT M14x1,5
0190359	MA-159984	TESTA STERZO ESTERNA TIE ROD END OUTER	LHT M14x1,5
0303484	MB-241498	BRACCIO STERZO - L H D IDLER ARM - L H D	
0403477	MB-001699	SNODO SOSPENSIONE INFERIORE SUSPENSION JOINT - LOWER	

DESTRO
RIGHT

 SINISTRO
LEFT

LANCER - EX (MK III) - COLT

A171A-A172A-A174A-A175A

1979 > 1987

Asse Anteriore



Front Axle


0190359

0293469

0183458

0190359

0190359

0293470

0183458

0190359

0303486

0303487
0403477

0403478

0403478

0403477

i 1) NON PER - NOT FOR : NFU - NFG
3) NON PER - NOT FOR : COLT

2) PER - FOR - MOD. NFU - NFG

OCAP	O.E.		i	
0183458	MB-076003	TESTA STERZO INTERNA TIE ROD END INNER		RHT M14x1,5
0190359	MA-159984	TESTA STERZO ESTERNA TIE ROD END OUTER		LHT M14x1,5
0293469	MB-076004	TESTA STERZO INTERNA TIE ROD END INNER	1)	LHT M14x1,5
0293470	MB-378703	TESTA STERZO INTERNA TIE ROD END INNER	2)	LHT M14x1,5
0303486	MB-241448	LEVA STERZO PITMAN ARM	3)	
0303487	MB-241500	BRACCIO STERZO IDLER ARM	3)	
0403477	MB-001699	SNODO SOSPENSIONE INFERIORE SUSPENSION JOINT - LOWER	1)	
0403478	MB-185329	SNODO SOSPENSIONE INFERIORE SUSPENSION JOINT - LOWER	2)	

DESTRO
RIGHT



SINISTRO
LEFT

LANCER - FIORE COLT I - MIRAGE	A155A-A156A A151A-A152A-A153A-A155A- A156A-A157A	1982 > 1983 1978 > 1984
-----------------------------------	--	----------------------------

Asse Anteriore



Front Axle

0283361



0603436



0483438



0603441



0603441



0283361



0603436



0493438



i 1) SERVOSTERZO - POWER STEERING

OCAP	O.E.		i	
0283361	MB-166426	TESTA STERZO ESTERNA TIE ROD END OUTER		RHT M14x1,5
0483438	MB-109169	SNODO SOSPENSIONE INFERIORE SUSPENSION JOINT - LOWER		
0493438	MB-109168	SNODO SOSPENSIONE INFERIORE SUSPENSION JOINT - LOWER		
0603436	MB-122135	SNODO ASSIALE AXIAL JOINT		RHT M14x1,5
0603441	MB-243373	SNODO ASSIALE AXIAL JOINT	1)	RHT M14x1,5

DESTRO
RIGHT



SINISTRO
LEFT

LANCER VII

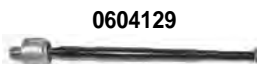
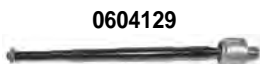
CS

09/2003 >

Asse Anteriore



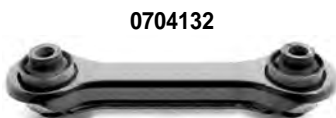
Front Axle



Asse Posteriore



Rear Axle



OCAP	O.E.		i	
0283440	MB-912076	TESTA STERZO TIE ROD END		RHT M12x1,25
0504133	MR-403771	STABILIZZATORE STABILIZER LINK		
0504596	MR-954888	STABILIZZATORE STABILIZER LINK		
0604129	MR-491358	SNODO ASSIALE AXIAL JOINT		RHT M12x1,25
0704132	MR-403485	BRACCIO OSCILLANTE TRACK CONTROL ARM		
0784130	MR-403420	BRACCIO OSCILLANTE - INFERIORE TRACK CONTROL ARM - LOWER		
0794130	MR-403419	BRACCIO OSCILLANTE - INFERIORE TRACK CONTROL ARM - LOWER		

DESTRO
RIGHT



SINISTRO
LEFT

LANCER VIII SPORTBACK
LANCER VIII

CX
CY

06/2008 >
03/2007 >

Asse Anteriore



Front Axle

0288077



0608077



0908077



0288077



0608077



0408077



0788077



1216072



1216072



0798077



0408077



0408077



0788669



1216072



1216072



0798669



0408077



1216071



1216071



i 1) > 11/2013

2) 11/2013 >

OCAP	O.E.		i	
0288077	4422A018	TESTA STERZO TIE ROD END		RHT M14x1,5
0408077	3521V0 *	SNODO SOSPENSIONE - INFERIORE BALL JOINT - LOWER		
0608077	4422A012	SNODO ASSIALE STERZO AXIAL JOINT		RHT M14x1,5
0788077	4013A010	BRACCIO OSCILLANTE - INFERIORE TRACK CONTROL ARM - LOWER	1)	
0788669	1612753580	BRACCIO OSCILLANTE - INFERIORE TRACK CONTROL ARM - LOWER	2)	
0798077	4013A009	BRACCIO OSCILLANTE - INFERIORE TRACK CONTROL ARM - LOWER	1)	
0798669	1612753380	BRACCIO OSCILLANTE - INFERIORE TRACK CONTROL ARM - LOWER	2)	
0908077	406684	KIT CUFFIA STERZO STEERING GAITER KIT		
1216071	-	SILENTBLOCK - CENTRALE CENTRAL BUSHING		
1216072	3523CS	SILENTBLOCK - ESTREMO OUTER BUSHING		

DESTRO
RIGHT

 SINISTRO
LEFT

LANCER VIII SPORTBACK
LANCER VIII

 CX
CY

 06/2008 >
03/2007 >

Asse Anteriore



Front Axle

0508077

0508077


Asse Posteriore






Rear Axle

0588077

0708839

0708839

0588077


OCAP	O.E.			
0508077	508758	STABILIZZATORE STABILIZER LINK		
0588077	MN-184194	STABILIZZATORE STABILIZER LINK		
0708839	4117A007	BRACCIO OSCILLANTE TRACK CONTROL ARM		L=165

L100

DESTRO
RIGHT



SINISTRO
LEFT

L100

Asse Anteriore

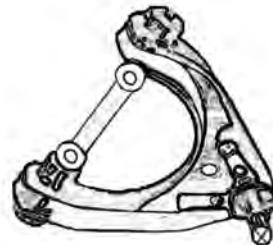


Front Axle

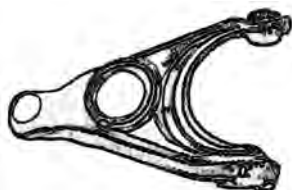
0783494



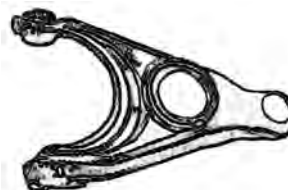
0793494






0700495



0700495



OCAP	O.E.			
0700495	LMB-002307	BRACCIO OSCILLANTE - INFERIORE TRACK CONTROL ARM LOWER		
0783494	LMB-002583	BRACCIO OSCILLANTE - SUPERIORE TRACK CONTROL ARM UPPER		
0793494	LMB-002584	BRACCIO OSCILLANTE - SUPERIORE TRACK CONTROL ARM UPPER		

DESTRO
RIGHT

 SINISTRO
LEFT

L200 - FORTE

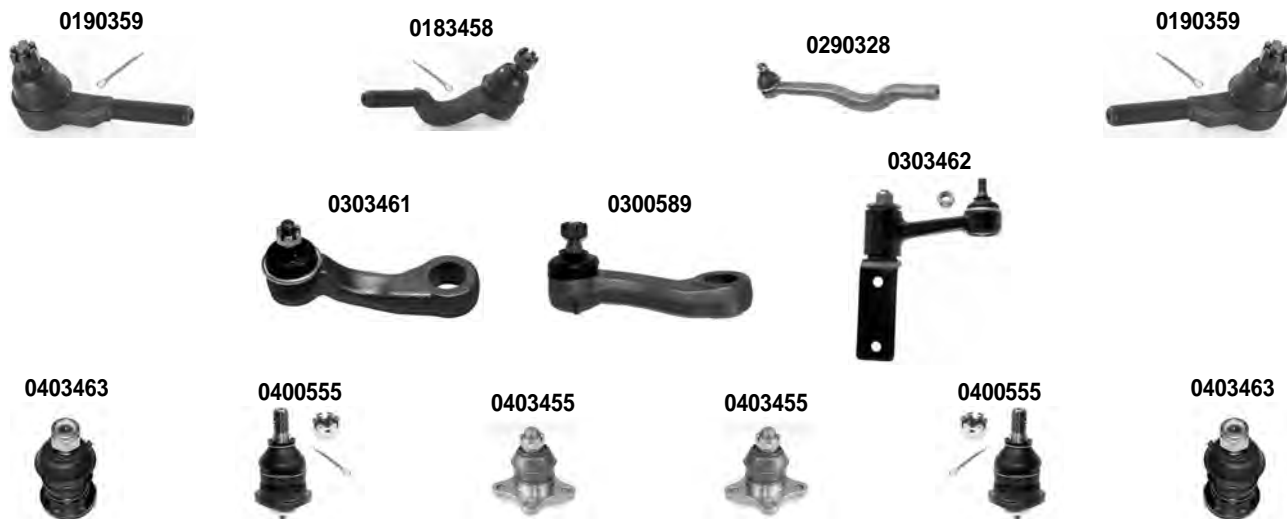
 L021P-L025P-K01T-K02T-K04T-
K11T-K12T-K14T

1978 > 10/1986

Asse Anteriore



Front Axle


i 1) > 1980
3) 1980 > 1986

2) 1980 >

OCAP	O.E.		i	
0183458	MB-076003	TESTA STERZO INTERNA TIE ROD END INNER		RHT M14x1,5
0190359	MA-159984	TESTA STERZO ESTERNA TIE ROD END OUTER		LHT M14x1,5
0290328	MB-122011	TESTA STERZO INTERNA TIE ROD END INNER		LHT M14x1,5
0300589	MB-241166	LEVA STERZO PITMAN ARM	2)	
0303461	MB-166566	LEVA STERZO PITMAN ARM	1)	
0303462	MB-241421	BRACCIO STERZO IDLER ARM	3)	
0400555	MB-176309	SNODO SOPENSIONE - SUPERIORE SUSPENSION JOINT - UPPER	2)	
0403455	MB-109587	SNODO SOPENSIONE - INFERIORE BALL JOINT - LOWER		
0403463	MB-109585	SNODO SOPENSIONE - SUPERIORE SUSPENSION JOINT - UPPER	1)	

L200 (2WD)

DESTRO
RIGHT



SINISTRO
LEFT

L200 (2WD)	K - T	10/1986 > 08/1996
------------	-------	-------------------

Asse Anteriore

Front Axle



OCAP	O.E.			
0183458	MB-076003	TESTA STERZO INTERNA TIE ROD END INNER		LHT M14x1,5
0190359	MA-159984	TESTA STERZO ESTERNA TIE ROD END OUTER		LHT M14x1,5
0290328	MB-122011	TESTA STERZO INTERNA TIE ROD END INNER		LHT M14x1,5
0300589	MB-241166	LEVA STERZO PITMAN ARM		
0403455	MB-176283	SNODO SOSPENSIONE - INFERIORE BALL JOINT - LOWER		
0404115	MB-860408 *	SNODO SOSPENSIONE - SUPERIORE BALL JOINT - UPPER		
0784115	MB-860408	BRACCIO OSCILLANTE - SUPERIORE TRACK CONTROL ARM - UPPER		
0784116	MB-109513	BRACCIO OSCILLANTE - INFERIORE TRACK CONTROL ARM - LOWER		
0794115	MB-527159	BRACCIO OSCILLANTE - SUPERIORE TRACK CONTROL ARM - UPPER		
0794116	MB-109512	BRACCIO OSCILLANTE - INFERIORE TRACK CONTROL ARM - LOWER		

DESTRO
RIGHT

 SINISTRO
LEFT

L200 (2WD)

K - T

08/1996 >

Asse Anteriore



Front Axle

0193459



0184117



0184117



0193459



0300589



0784118



0794118



0404118



0404118



0404119



0784119



0794119



0404119



OCAP	O.E.		
0184117	MR-241031	TESTA STERZO INTERNA TIE ROD END INNER	RHT M16x1,5
0193459	MR-241032	TESTA STERZO ESTERNA TIE ROD END OUTER	LHT M16x1,5
0300589	MR-241166	LEVA STERZO PITMAN ARM	
0404118	MR-241024 *	SNODO SOSPENSIONE - SUPERIORE BALL JOINT - UPPER	
0404119	MR-241027	SNODO SOSPENSIONE - INFERIORE BALL JOINT - LOWER	
0784118	MR-241024	BRACCIO OSCILLANTE - SUPERIORE TRACK CONTROL ARM - UPPER	
0784119	MR-241026	BRACCIO OSCILLANTE - INFERIORE TRACK CONTROL ARM - LOWER	
0794118	MR-241023	BRACCIO OSCILLANTE - SUPERIORE TRACK CONTROL ARM - UPPER	
0794119	MR-241025	BRACCIO OSCILLANTE - INFERIORE TRACK CONTROL ARM - LOWER	

DESTRO
RIGHT



SINISTRO
LEFT

L200 4WD - FORTE 4WD

L022G-L026G-K22T-K24T-K32T-K34T

11/1986 > 08/1996

Asse Anteriore



Front Axle



OCAP	O.E.			
0183460	MB-241206	TESTA STERZO INTERNA <i>TIE ROD END INNER</i>		RHT M16x1,5
0193459	MB-241171	TESTA STERZO ESTERNA <i>TIE ROD END OUTER</i>		LHT M16x1,5
0304120	MB-241168	LEVA STERZO <i>PITMAN ARM</i>		
0304121	MB-241423	BRACCIO STERZO <i>IDLER ARM</i>		
0400555	MB-176309	SNODO SOSPENSIONE - SUPERIORE <i>SUSPENSION JOINT - UPPER</i>		
0403465	MB-176308	SNODO SOSPENSIONE - INFERIORE <i>SUSPENSION JOINT - LOWER</i>		

DESTRO
RIGHT



SINISTRO
LEFT

L200 4WD

K74T-K75T

06/1996 > 10/2005

Asse Anteriore



Front Axle

0182942



0183460



0183460



0182942



0304123



0403492



0483493





0493493



0403492



OCAP	O.E.		
0182942	MB-831043	TESTA STERZO ESTERNA TIE ROD END OUTER	LHT M16x1,5
0183460	MB-241206	TESTA STERZO INTERNA TIE ROD END INNER	RHT M16x1,5
0304123	MR-296272	BRACCIO STERZO IDLER ARM	
0403492	MB-860829	SNODO SOSPENSIONE - SUPERIORE SUSPENSION JOINT - UPPER	
0483493	MR-296270	SNODO SOSPENSIONE - INFERIORE SUSPENSION JOINT - LOWER	
0493493	MR-296269	SNODO SOSPENSIONE - INFERIORE SUSPENSION JOINT - LOWER	

DESTRO
RIGHT



SINISTRO
LEFT

L200 4WD
PAJERO SPORT III

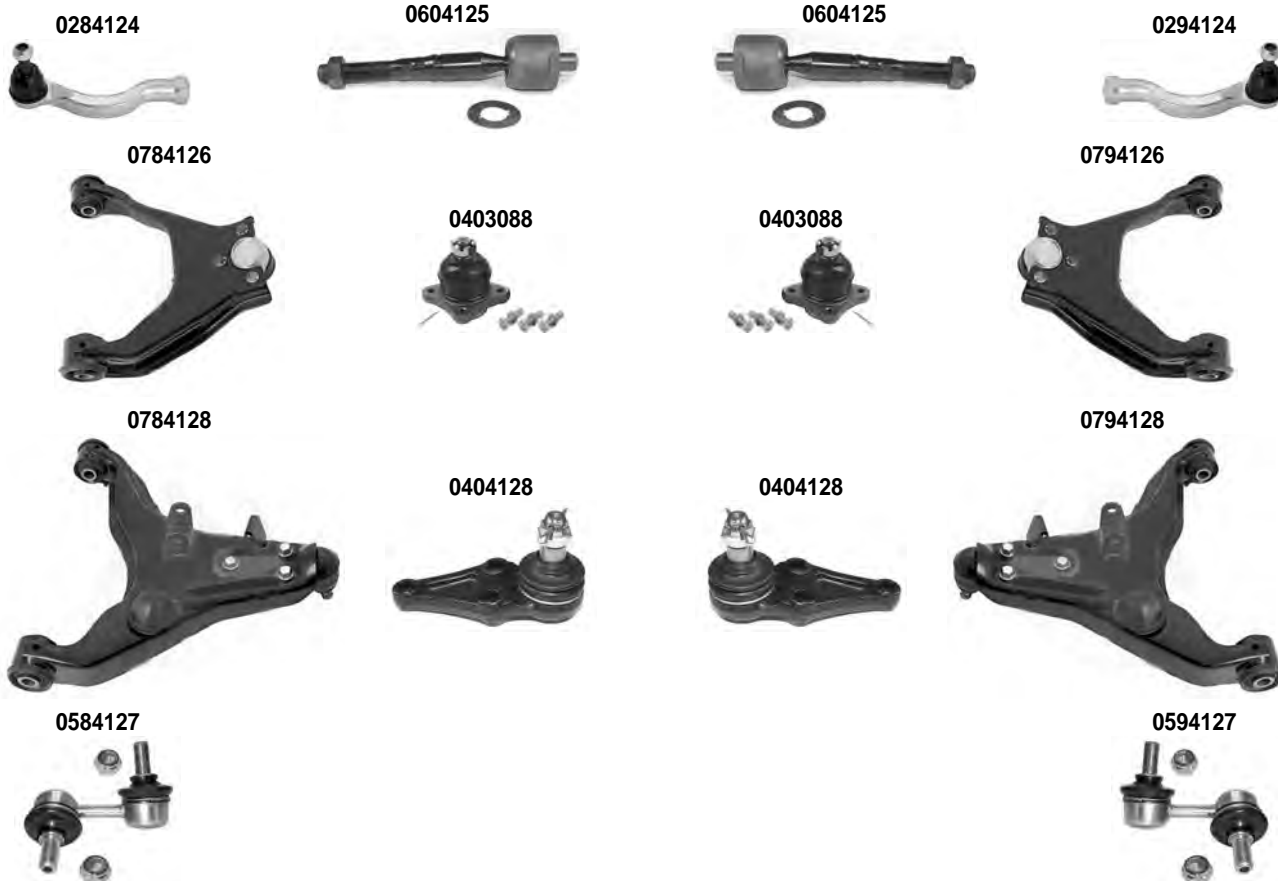
KA-T-KB
KS

11/2005 > 2015
08/2015 >

Asse Anteriore



Front Axle



OCAP	O.E.			
0284124	4422A010	TESTA STERZO TIE ROD END		RHT M16x1,5
0294124	4422A009	TESTA STERZO TIE ROD END		RHT M16x1,5
0403088	4010A015	SNODO SOSPENSIONE - SUPERIORE BALL JOINT - UPPER		
0404128	4013A090	SNODO SOSPENSIONE - INFERIORE BALL JOINT - LOWER		
0584127	MR-992310	STABILIZZATORE STABILIZER LINK		
0594127	MR-992309	STABILIZZATORE STABILIZER LINK		
0604125	4410A173	SNODO ASSIALE AXIAL JOINT		RHT M16x1,5
0784126	4010A014	BRACCIO OSCILLANTE - SUPERIORE TRACK CONTROL ARM - UPPER		
0784128	4013A088	BRACCIO OSCILLANTE - INFERIORE TRACK CONTROL ARM - LOWER		
0794126	4010A013	BRACCIO OSCILLANTE - SUPERIORE SUSPENSION JOINT - UPPER		
0794128	4013A087	BRACCIO OSCILLANTE - INFERIORE TRACK CONTROL ARM - LOWER		

DESTRO
RIGHT



SINISTRO
LEFT

L300 - DELICA

T1_-L03_

1968 > 1986

Asse Anteriore



Front Axle

0503448



i 1) 1979 > 1983 3) 1982 >		2) > 1982 4) > 1983	
OCAP	O.E.		
0283361	MB-166426	TESTA STERZO ESTERNA TIE ROD END OUTER	2) RHT M14x1,5
0283433	MB-192430	TESTA STERZO ESTERNA TIE ROD END OUTER	3) RHT M14x1,5
0283446	MB-166427	TESTA STERZO INTERNA TIE ROD END INNER	2) LHT M14x1,5
0283447	MB-288119	TESTA STERZO INTERNA TIE ROD END INNER	3) LHT M14x1,5
0303450	MB-166424	LEVA STERZO - L H D PITMAN ARM - L H D	4)
0303451	MB-166423	LEVA STERZO - R H D PITMAN ARM - R H D	4)
0503448	MB-166422	BARRA STERZO - L H D TIE ROD - L H D	1)

DESTRO
RIGHT



SINISTRO
LEFT

L300 - DELICA

T1_-L03_

1968 > 1986

Asse Anteriore



Front Axle

0403454



0400555



0400555



0403454



0703497



0703497



0403455



0403455



0703498



0703498



i 5) 1976 > 1983 7) 1983 >	6) 1979 > 1983
--------------------------------------	----------------

OCAP	O.E.		i	
0400555	MB-176309	SNODO SOSPENSIONE - SUPERIORE SUSPENSION JOINT - UPPER	7)	
0403454	MB-109585	SNODO SOSPENSIONE - SUPERIORE SUSPENSION JOINT - UPPER	5)	
0403455	MB-175544	SNODO SOSPENSIONE - INFERIORE BALL JOINT - LOWER	6)	
0703497	MB-175545	BRACCIO OSCILLANTE - SUPERIORE TRACK CONTROL ARM - UPPER		
0703498	MB-303856	BRACCIO OSCILLANTE - INFERIORE TRACK CONTROL ARM - LOWER		

DESTRO
RIGHT

 SINISTRO
LEFT

L300 - DELICA

P0_-P1_

1986 > 1997

Asse Anteriore



Front Axle

0284469

0284469

0602939

0603480

0603480

0602939

0402940

0402940

0403507

0783499

0793499

0403507


1) STERZO MANUALE - MANUAL STEERING		2) SERVOSTERZO - POWER STEERING	
OCAP	O.E.		
0284469	56872-43000	TESTA STERZO TIE ROD END	RHT M14x1,5
0402940	MB-527349	SNODO SOSPENSIONE - SUPERIORE SUSPENSION JOINT - UPPER	
0403507	MB-527384-01	SNODO SOSPENSIONE - INFERIORE SUSPENSION JOINT - LOWER	
0602939	MB-532971	SNODO ASSIALE AXIAL JOINT	1) RHT M14x1,5
0603480	MB-350577	SNODO ASSIALE AXIAL JOINT	2) RHT M14x1,5
0783499	MB-598018	BRACCIO OSCILLANTE - INFERIORE TRACK CONTROL ARM - LOWER	
0793499	MB-598017	BRACCIO OSCILLANTE - INFERIORE TRACK CONTROL ARM - LOWER	

DESTRO
RIGHT



SINISTRO
LEFT

L300 4WD - DELICA
L300 4WD - DELICA
MINICAR - PICK-UP-WAGON

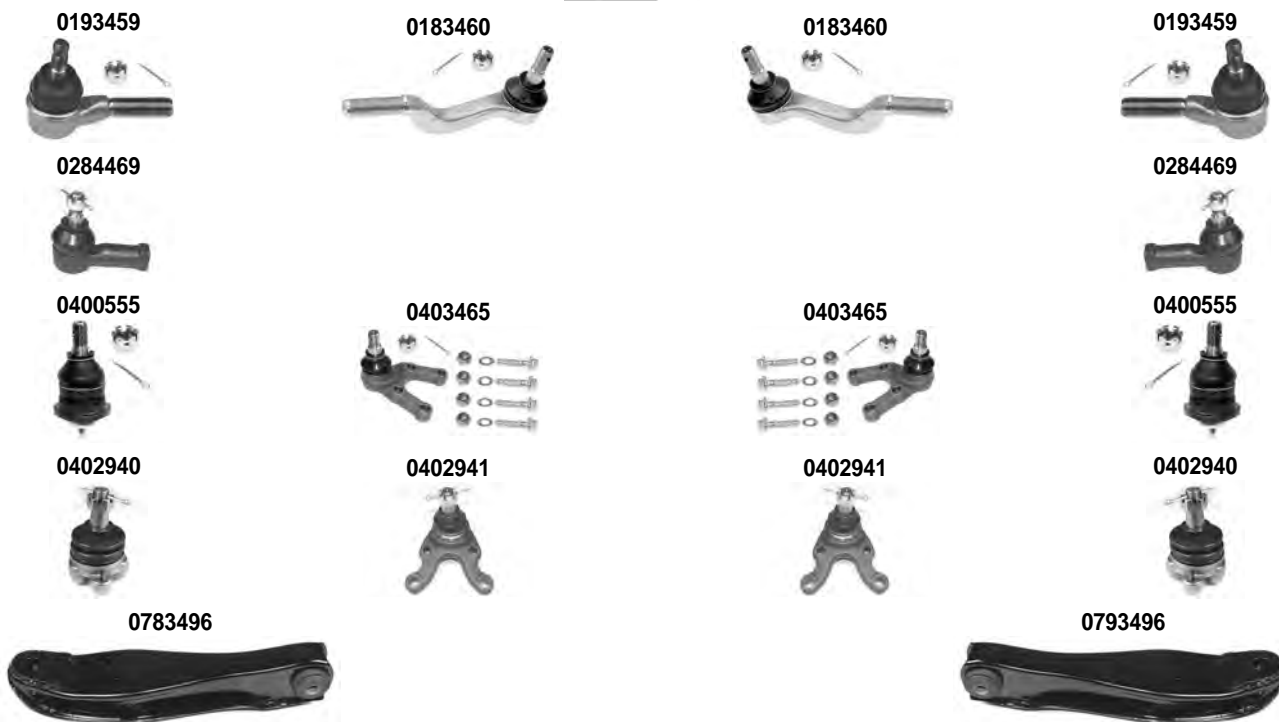
L_GV-L_GW
P_V-P_W

1982 > 1986
1986 >

Asse Anteriore



Front Axle



i 1) SOLO PER - ONLY FOR: L300 - DELICA - > 1986
3) SOLO PER - ONLY FOR: MINICAR - PICK-UP - WAGON

2) SOLO PER - ONLY FOR: L300 - DELICA - 1986 >

OCAP	O.E.		i	
0183460	MB-241206	TESTA STERZO INTERNA TIE ROD END INNER	1)	RHT M16x1,5
0193459	MB-241171	TESTA STERZO ESTERNA TIE ROD END OUTER	1)	LHT M16x1,5
0284469	56872-43000	TESTA STERZO TIE ROD END		RHT M14x1,5
0400555	MB-176309	SNODO SOSPENSIONE - SUPERIORE SUSPENSION JOINT - UPPER	1)	
0402940	MB-527349	SNODO SOSPENSIONE - SUPERIORE SUSPENSION JOINT - UPPER	2)	
0402941	MB-527352	SNODO SOSPENSIONE - INFERIORE SUSPENSION JOINT - LOWER	2)	
0403465	MB-176308	SNODO SOSPENSIONE - INFERIORE SUSPENSION JOINT - LOWER	1)	
0783496	HMB-303401	BRACCIO OSCILLANTE - INFERIORE TRACK CONTROL ARM LOWER	3)	
0793496	HMB-303402	BRACCIO OSCILLANTE - INFERIORE TRACK CONTROL ARM LOWER	3)	

DESTRO
RIGHT



SINISTRO
LEFT

OUTLANDER

2003 > 10/2006

Asse Anteriore



Front Axle

0282818



0602819



0602819



0282818



0502820



0502820



Asse Posteriore





Rear Axle

0502821



0502821



OCAP	O.E.		
0282818	MR-508650	TESTA STERZO TIE ROD END	RHT M16x1,5
0502820	MR-319147	STABILIZZATORE STABILIZER LINK	
0502821	MR-316368	STABILIZZATORE STABILIZER LINK	
0602819	MR-403100	SNODO ASSIALE AXIAL JOINT	RHT M16x1,5

DESTRO
RIGHT



SINISTRO
LEFT

OUTLANDER II

CW

11/2006 > 2012

Asse Anteriore



Front Axle

0288077



0608077



0608077



0288077



0908077



0408077



0788077



1216072



1216072



0408077



0798077



1216071



1216071



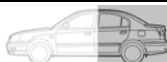
0508077



0508077



Asse Posteriore



Rear Axle

0588077



0708839



0708839



0598077



OCAP	O.E.		
0288077	4422A018	TESTA STERZO TIE ROD END	RHT M14x1,5
0408077	4013A010	SNODO SOSPENSIONE - INFERIORE BALL JOINT - LOWER	
0508077	4156A014	STABILIZZATORE STABILIZER LINK	
0588077	4156A014	STABILIZZATORE STABILIZER LINK	
0598077	4156A014	STABILIZZATORE STABILIZER LINK	
0608077	4422A012	SNODO ASSIALE AXIAL JOINT	RHT M14x1,5
0708839	4117A007	BRACCIO OSCILLANTE TRACK CONTROL ARM	L=165
0788077	4013A009	BRACCIO OSCILLANTE - INFERIORE TRACK CONTROL ARM - LOWER	
0798077	MN-101368	BRACCIO OSCILLANTE - INFERIORE TRACK CONTROL ARM - LOWER	
0908077	4013A010 *	KIT CUFFIA STERZO STEERING GAITER KIT	
1216071	MN-184194	SILENTBLOCK - CENTRALE CENTRAL BUSHING	
1216072	4156A014	SILENTBLOCK - ESTREMO OUTER BUSHING	

DESTRO
RIGHT



SINISTRO
LEFT

OUTLANDER III

GG-GF-W-Z

08/2012 >

Asse Anteriore



Front Axle



i 1) > 02/2015	2) 02/2015 >
-----------------------	--------------

OCAP	O.E.		i	
0288077	381774	TESTA STERZO TIE ROD END		RHT M14x1,5
0408077	3521V0 *	SNODO SOSPENSIONE - INFERIORE BALL JOINT - LOWER		
0604134	4422A076	SNODO ASSIALE AXIAL JOINT		RHT M14x1,5 L=339
0788077	3521V0	BRACCIO OSCILLANTE - INFERIORE TRACK CONTROL ARM - LOWER	1)	
0788669	1612753580	BRACCIO OSCILLANTE - INFERIORE TRACK CONTROL ARM - LOWER	2)	
0798077	3520V0	BRACCIO OSCILLANTE - INFERIORE TRACK CONTROL ARM - LOWER	1)	
0798669	1612753380	BRACCIO OSCILLANTE - INFERIORE TRACK CONTROL ARM - LOWER	2)	
0908669	1607502280 *	KIT CUFFIA STERZO STEERING GAITER KIT		
1216071	-	SILENTBLOCK - CENTRALE CENTRAL BUSHING		
1216072	3523CS	SILENTBLOCK - ESTREMO OUTER BUSHING		

DESTRO
RIGHT



SINISTRO
LEFT

OUTLANDER III

GG-GF-W-Z

08/2012 >

Asse Anteriore



Front Axle

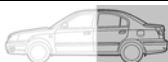
0508077



0508077



Asse Posteriore



Rear Axle

0708670



0708670



0588077



0598077



OCAP	O.E.			
0508077	508758	STABILIZZATORE STABILIZER LINK		
0588077	517849	STABILIZZATORE STABILIZER LINK		
0598077	517848	STABILIZZATORE STABILIZER LINK		
0708670	1612754780	BRACCIO OSCILLANTE TRACK CONTROL ARM		L=245

DESTRO
RIGHT



SINISTRO
LEFT

PAJERO I

L04_G > L14_G

1982 > 1990

Asse Anteriore



Front Axle



i 1) > 1989 2) 1989 >

OCAP	O.E.		i	
0183460	MB-241206	TESTA STERZO INTERNA TIE ROD END INNER		RHT M16x1,5
0193459	MB-241171	TESTA STERZO ESTERNA TIE ROD END OUTER		LHT M16x1,5
0303488	MB-241973	LEVA STERZO PITMAN ARM	1)	
0303489	MB-241830	BRACCIO STERZO IDLER ARM		
0303490	MB-598489	LEVA STERZO PITMAN ARM	2)	
0400555	MB-176309	SNODO SOSPENSIONE SUPERIORE SUSPENSION JOINT - UPPER		
0403465	MB-176308	SNODO SOSPENSIONE INFERIORE SUSPENSION JOINT - LOWER		

DESTRO
RIGHT



SINISTRO
LEFT

PAJERO II - MONTERO II

V2_W - V3_W - V4_W

1990 > 2000

Asse Anteriore



Front Axle

0182942



0192943



0192943



0182942



0303491



0301988



0783492



0793492



0403492



0403492



OCAP	O.E.			
0182942	MB-831043	TESTA STERZO ESTERNA TIE ROD END OUTER		LHT M16x1,5
0192943	MB-831044	TESTA STERZO INTERNA TIE ROD END INNER		
0301988	MB-831042	BRACCIO STERZO IDLER ARM		
0303491	MB-831040	LEVA STERZO PITMAN ARM		
0403492	MB-860829	SNODO SOSPENSIONE - SUPERIORE SUSPENSION JOINT - UPPER		
0783492	MR-296094	BRACCIO OSCILLANTE - SUPERIORE TRACK CONTROL ARM - UPPER		
0793492	MR-296093	BRACCIO OSCILLANTE - SUPERIORE TRACK CONTROL ARM - UPPER		

DESTRO
RIGHT



SINISTRO
LEFT

PAJERO II - MONTERO II

V2_W - V3_W - V4_W

1990 > 2000

Asse Anteriore



Front Axle

0483493



0783493



0793493



0493493



0582571



0504597



0504597



0592571



Asse Posteriore



Rear Axle

0505554



0505554



OCAP	O.E.			
0483493	MR-296270	SNODO SOSPENSIONE - INFERIORE SUSPENSION JOINT - LOWER		
0493493	MR-296269	SNODO SOSPENSIONE - INFERIORE SUSPENSION JOINT - LOWER		
0504597	MB-633926	STABILIZZATORE - INTERNO STABILIZER LINK - INNER		
0505554	MB-598098	STABILIZZATORE STABILIZER LINK		
0582571	MR-267877	STABILIZZATORE - ESTERNO STABILIZER LINK - OUTER		
0592571	MR-267876	STABILIZZATORE - ESTERNO STABILIZER LINK - OUTER		
0783493	MB-860382	BRACCIO OSCILLANTE - INFERIORE TRACK CONTROL ARM - LOWER		
0793493	MB-860381	BRACCIO OSCILLANTE - INFERIORE TRACK CONTROL ARM - LOWER		

DESTRO
RIGHT



SINISTRO
LEFT

PAJERO III	V6_W - V7_W	04/2000 > 2006
------------	-------------	----------------

Asse Anteriore



Front Axle



OCAP	O.E.			
0282565	MR-508136	TESTA STERZO TIE ROD END		
0292565	MR-508135	TESTA STERZO TIE ROD END		
0403088	4010A015	SNODO SOSPENSIONE - SUPERIORE BALL JOINT - UPPER		
0404141	4013A211	SNODO SOSPENSIONE - INFERIORE BALL JOINT - LOWER		
0602566	MR-510267	SNODO ASSIALE AXIAL JOINT		RHT M16x1,5
0783088	MR-496794	BRACCIO OSCILLANTE - SUPERIORE TRACK CONTROL ARM - UPPER		
0784598	MR-496796	BRACCIO OSCILLANTE - INFERIORE TRACK CONTROL ARM - LOWER		
0793088	MR-496793	BRACCIO OSCILLANTE - SUPERIORE TRACK CONTROL ARM - UPPER		
0794598	MR-496795	BRACCIO OSCILLANTE - INFERIORE TRACK CONTROL ARM - LOWER		

DESTRO
RIGHT



SINISTRO
LEFT

PAJERO III

V6_W - V7_W

04/2000 > 2006

Asse Anteriore



Front Axle

0582568



0592568



Asse Posteriore



Rear Axle

0582569



0404599



0404599



0592569



OCAP	O.E.			
0404599	MR-508130	SNODO SOSPENSIONE BALL JOINT		
0582568	MR-374522	STABILIZZATORE STABILIZER LINK		
0582569	MR-418053	STABILIZZATORE STABILIZER LINK		
0592568	MR-374521	STABILIZZATORE STABILIZER LINK		
0592569	MR-418052	STABILIZZATORE STABILIZER LINK		

DESTRO
RIGHT



SINISTRO
LEFT

PAJERO IV

V8_W - V9_W

02/2007 >

Asse Anteriore



Front Axle



OCAP	O.E.			
0284139	4422A038	TESTA STERZO TIE ROD END		RHT M16x1,5
0294139	4422A037	TESTA STERZO TIE ROD END		RHT M16x1,5
0403088	4010A015	SNODO SOSPENSIONE - SUPERIORE BALL JOINT - UPPER		
0404141	4013A211	SNODO SOSPENSIONE - INFERIORE BALL JOINT - LOWER		
0604140	4422A036	SNODO ASSIALE AXIAL JOINT		RHT M16x1,5
0783088	4010A038	BRACCIO OSCILLANTE - SUPERIORE TRACK CONTROL ARM - UPPER		
0784141	4013A210	BRACCIO OSCILLANTE - INFERIORE TRACK CONTROL ARM - LOWER		
0793088	4010A037	BRACCIO OSCILLANTE - SUPERIORE TRACK CONTROL ARM - UPPER		
0794141	4013A209	BRACCIO OSCILLANTE - INFERIORE TRACK CONTROL ARM - LOWER		

DESTRO
RIGHT



SINISTRO
LEFT

PAJERO IV	V8_W - V9_W	02/2007 >
------------------	-------------	-----------

Asse Anteriore



Front Axle

0584142



0594142



Asse Posteriore





Rear Axle

0582569



0592569



OCAP	O.E.		i	
0582569	MR-418053	STABILIZZATORE STABILIZER LINK		
0584142	MR-992192	STABILIZZATORE STABILIZER LINK		
0592569	MR-418052	STABILIZZATORE STABILIZER LINK		
0594142	MR-992191	STABILIZZATORE STABILIZER LINK		

DESTRO
RIGHT



SINISTRO
LEFT

PAJERO PININ

1999 >

Asse Anteriore



Front Axle

0283433



0601765



0601765



0283433



0781766



0791766






0501767



0501767



OCAP	O.E.			
0283433	MB-192430	TESTA STERZO TIE ROD END		RHT M14x1,5
0501767	MB-892982	STABILIZZATORE STABILIZER LINK		
0601765	MR-448255	SNODO ASSIALE AXIAL JOINT		RHT M14x1,5
0781766	MR-414940	BRACCIO OSCILLANTE TRACK CONTROL ARM		
0791766	MR-414939	BRACCIO OSCILLANTE TRACK CONTROL ARM		

DESTRO
RIGHT

 SINISTRO
LEFT

SIGMA
SIGMA SW

 F16A
F07W

 12/1990 > 10/1996
01/1993 > 07/1996

Asse Anteriore



Front Axle

0283433

0400482

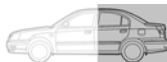
0501767

0283433

0400482

0501767


Asse Posteriore



Rear Axle

0501577

0501577


OCAP	O.E.			
0283433	MB-912519	TESTA STERZO TIE ROD END		RHT M14x1,5
0400482	MB-518961	SNODO SOSPENSIONE - INFERIORE BALL JOINT - LOWER		
0501577	MR-131732	STABILIZZATORE STABILIZER LINK		
0501767	MB-892982	STABILIZZATORE STABILIZER LINK		

DESTRO
RIGHT



SINISTRO
LEFT

SPACE RUNNER

N11W

1991 >

Asse Anteriore



Front Axle

0283433



0601752



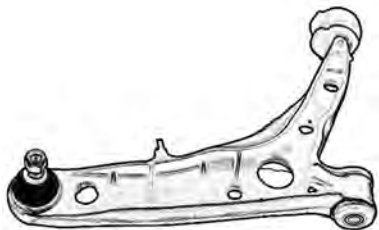
0601752



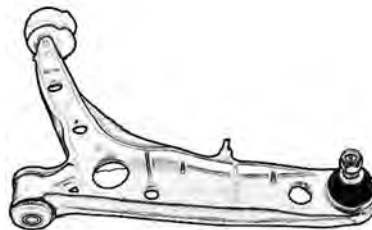
0283433



0381753



0391753



0400482



0400482



0581754



0591754



OCAP	O.E.			
0283433	MB-912519	TESTA STERZO TIE ROD END		RHT M14x1,5
0381753	MB-831556	BRACCIO OSCILLANTE TRACK CONTROL ARM		
0391753	MB-831555	BRACCIO OSCILLANTE TRACK CONTROL ARM		
0400482	MB-241883	SNODO SOSPENSIONE - INFERIORE SUSPENSION JOINT - LOWER		
0581754	MB-808076	STABILIZZATORE STABILIZER LINK		
0591754	MB-672370	STABILIZZATORE STABILIZER LINK		
0601752	MR-131857	SNODO ASSIALE AXIAL JOINT		RHT M14x1,5

DESTRO
RIGHT



SINISTRO
LEFT

SPACE RUNNER

1999 >

Asse Anteriore



Front Axle

0283433



0681755



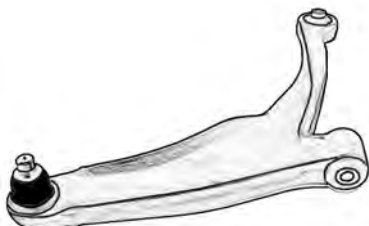
0691755



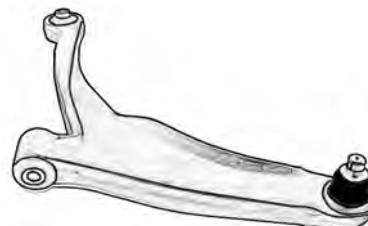
0283433






0381756



0391756



OCAP	O.E.			
0283433	MB-912519	TESTA STERZO TIE ROD END		RHT M14x1,5
0381756	MR-316052	BRACCIO OSCILLANTE TRACK CONTROL ARM		
0391756	MR-316051	BRACCIO OSCILLANTE TRACK CONTROL ARM		
0681755	MR-455090	SNODO ASSIALE AXIAL JOINT		RHT M14x1,5
0691755	MR-455089	SNODO ASSIALE AXIAL JOINT		RHT M14x1,5

DESTRO
RIGHT



SINISTRO
LEFT

SPACE STAR

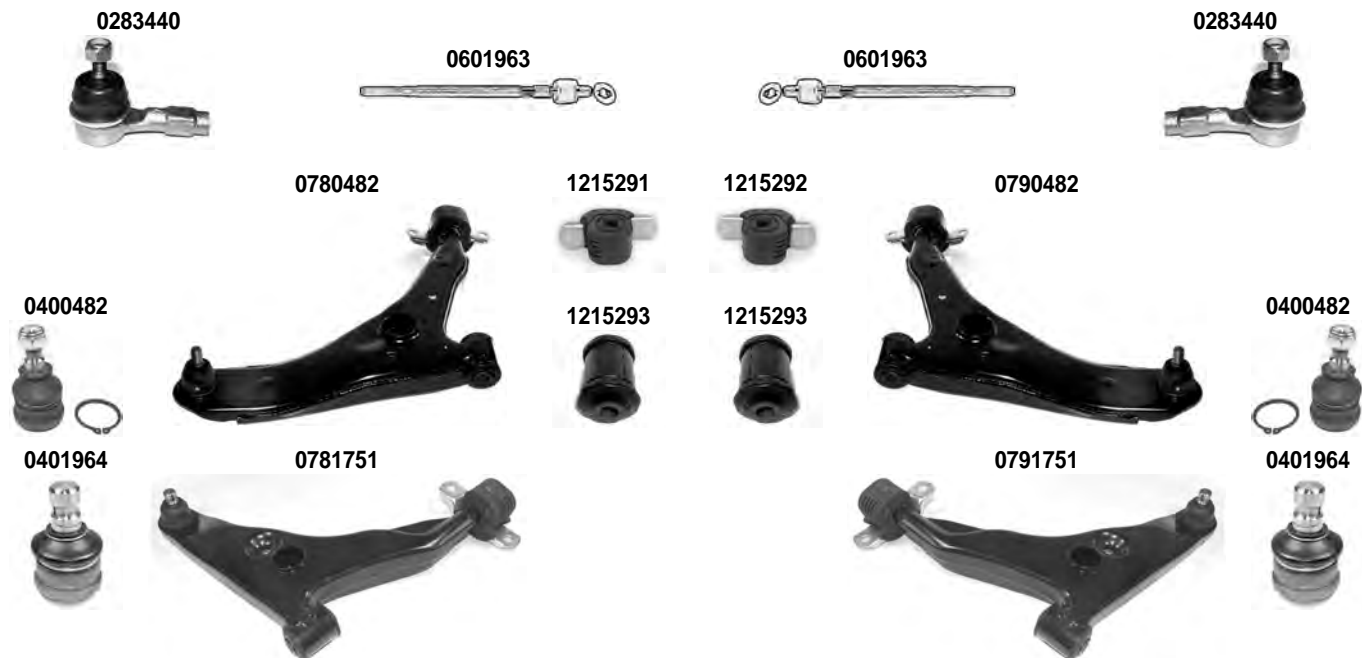
DG0

1998 >

Asse Anteriore



Front Axle



i 1) > 03/1999 2) 03/1999 >

OCAP	O.E.		i	
0283440	MB-912076	TESTA STERZO TIE ROD END		RHT M12x1,5
0400482	MB-241883	SNODO SOSPENSIONE - INFERIORE BALL JOINT - LOWER	1)	
0401964	MR-297242 *	SNODO SOSPENSIONE - INFERIORE BALL JOINT - LOWER	2)	
0601963	MR-403027	SNODO ASSIALE AXIAL JOINT		
0780482	MR-179480	BRACCIO OSCILLANTE - INFERIORE TRACK CONTROL ARM - LOWER	1)	
0781751	MR-911569	BRACCIO OSCILLANTE - INFERIORE TRACK CONTROL ARM - LOWER	2)	
0790482	MR-179479	BRACCIO OSCILLANTE - INFERIORE TRACK CONTROL ARM - LOWER	1)	
0791751	MR-911570	BRACCIO OSCILLANTE - INFERIORE TRACK CONTROL ARM - LOWER	2)	
1215291	MR-179479	SILENTBLOCK ESTREMO OUTER BUSHING	1)	
1215292	MR-179479	SILENTBLOCK ESTREMO OUTER BUSHING	1)	
1215293	MR-179479	SILENTBLOCK CENTRALE CENTRAL BUSHING	1)	

DESTRO
RIGHT



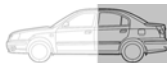
SINISTRO
LEFT

SPACE STAR

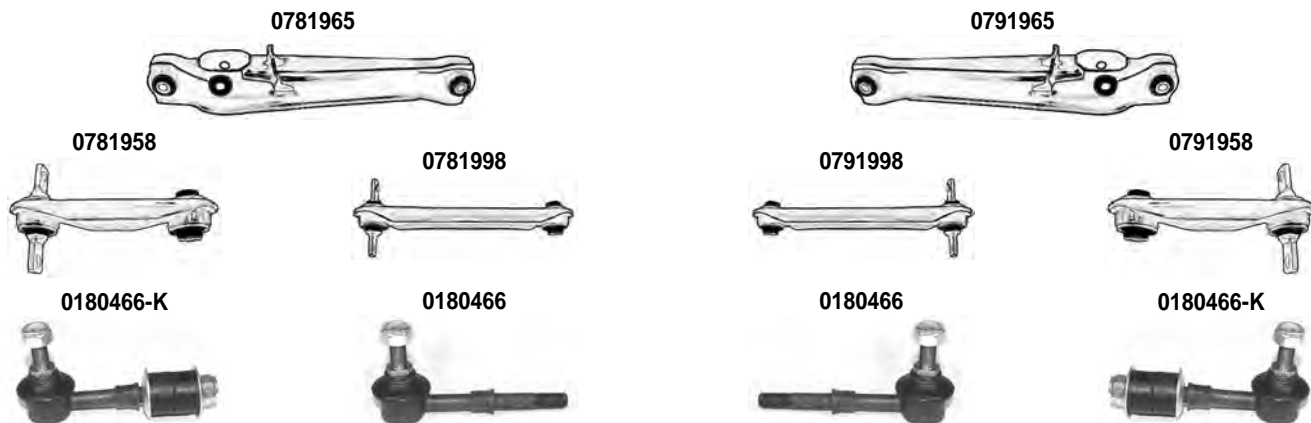
DG0

1998 >

Asse Posteriore



Rear Axle



i 3) > 03/2001

OCAP	O.E.		i	
0180466	MR-272118	STABILIZZATORE STABILIZER LINK		
0781958	MB-809223	BRACCIO OSCILLANTE TRACK CONTROL ARM		
0781965	MR-171308	BRACCIO OSCILLANTE TRACK CONTROL ARM		
0781998	MR-130480	BRACCIO SOSPENSIONE SUSPENSION LINK	3)	
0791958	MB-809222	BRACCIO OSCILLANTE TRACK CONTROL ARM		
0791965	MR-171307	BRACCIO OSCILLANTE TRACK CONTROL ARM		
0791998	MR-130479	BRACCIO SOSPENSIONE SUSPENSION LINK	3)	
0180466-K	30884359 *	KIT STABILIZZATORE STABILIZER LINK KIT		

DESTRO
RIGHT



SINISTRO
LEFT

SPACE WAGON - CHARIOT
CORDIA - TREDIA

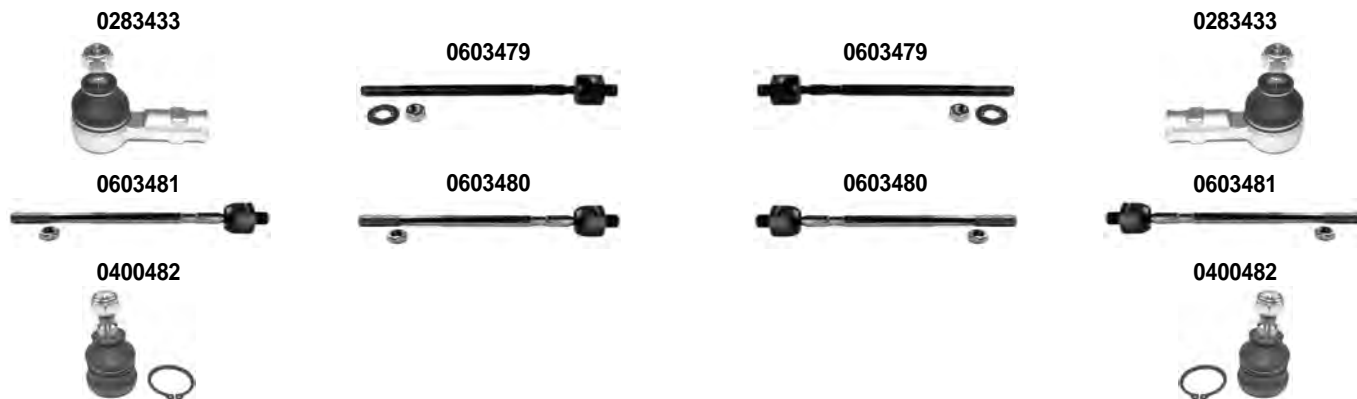
D02W-D03W-D05W-D08W
A211A > A215G

1983 >
1982 > 1989

Asse Anteriore



Front Axle



i 1) SERVOSTERZO - POWER STEERING
3) ECCETTO 4WD - EXCEPT 4WD

2) 4WD

OCAP	O.E.		i	
0283433	MB-192430	TESTA STERZO TIE ROD END		RHT M14x1,5
0400482	MB-241883	SNODO SOSPENSIONE INFERIORE SUSPENSION JOINT - LOWER	3)	
0603479	MB-266152	SNODO ASSIALE AXIAL JOINT		RHT M14x1,5
0603480	MB-350577	SNODO ASSIALE AXIAL JOINT	2)	RHT M14x1,5
0603481	MB-243329	SNODO ASSIALE AXIAL JOINT	1)	RHT M14x1,5

DESTRO
RIGHT



SINISTRO
LEFT

SPACE WAGON

1992 >

Asse Anteriore



Front Axle

0283433



0601752



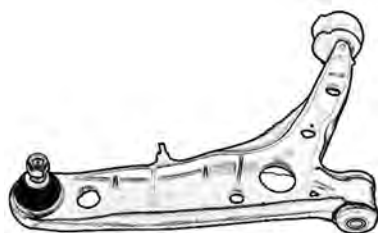
0601752



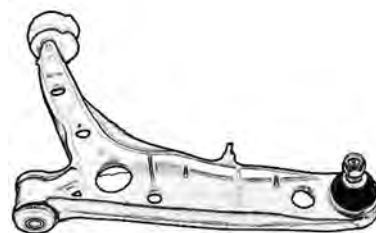
0283433



0381753



0391753



0581754



0591754



OCAP	O.E.			
0283433	MB-912519	TESTA STERZO TIE ROD END		RHT M14x1,5
0381753	MB-831556	BRACCIO OSCILLANTE TRACK CONTROL ARM		
0391753	MB-831555	BRACCIO OSCILLANTE TRACK CONTROL ARM		
0581754	MB-808076	STABILIZZATORE STABILIZER LINK		
0591754	MB-672370	STABILIZZATORE STABILIZER LINK		
0601752	MR-131857	SNODO ASSIALE AXIAL JOINT		RHT M14x1,5

DESTRO
RIGHT



SINISTRO
LEFT

SPACE WAGON

1999 >

Asse Anteriore



Front Axle

0283433



0681759



0691759



0283433



0381758



0391758



0581754



0591754



OCAP	O.E.			
0283433	MB-912519	TESTA STERZO TIE ROD END		RHT M14x1,5
0381758	MR-316054	BRACCIO OSCILLANTE TRACK CONTROL ARM		
0391758	MR-316053	BRACCIO OSCILLANTE TRACK CONTROL ARM		
0581754	MB-808076	STABILIZZATORE STABILIZER LINK		
0591754	MB-672370	STABILIZZATORE STABILIZER LINK		
0681759	MR-455092	SNODO ASSIALE AXIAL JOINT		RHT M14x1,5
0691759	MR-455091	SNODO ASSIALE AXIAL JOINT		RHT M14x1,5

DESTRO
RIGHT



SINISTRO
LEFT

STARION	A182A-A182A-A184A-A187A	1982 > 1990
---------	-------------------------	-------------

Asse Anteriore



Front Axle

0190359



0293470



0183458



0190359



0403478



0403478



OCAP	O.E.			
0183458	MB-076003	TESTA STERZO INTERNA <i>TIE ROD END - INNER</i>		RHT M14x1,5
0190359	MA-159984	TESTA STERZO ESTERNA <i>TIE ROD END</i>		LHT M14x1,5
0293470	MB-378703	TESTA STERZO INTERNA <i>TIE ROD END - INNER</i>		RHT M14x1,5
0403478	MB-185329	SNODO SOSPENSIONE INFERIORE <i>SUSPENSION JOINT - LOWER</i>		

DESTRO
RIGHT



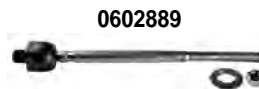
SINISTRO
LEFT

100 NX	B13	03/1990 > 01/1996
--------	-----	-------------------

Asse Anteriore



Front Axle



OCAP	O.E.		i	
0283550	48520-01E26	TESTA STERZO TIE ROD END		RHT M12x1,25
0403586	40160-60Y20	SNODO SOSPENSIONE - INFERIORE BALL JOINT - LOWER		
0602889	48521-50Y00	SNODO ASSIALE AXIAL JOINT		RHT M12x1,25
0504395-K	54618-50Y00	STABILIZZATORE STABILIZER LINK		L = 85 mm.

DESTRO
RIGHT

 SINISTRO
LEFT

 280 ZX
300ZX

 S 130
Z 31

 1978 > 1983
1983 > 1986

Asse Anteriore

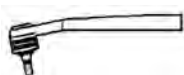


Front Axle

0181221



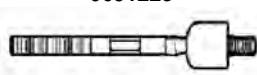
0283582



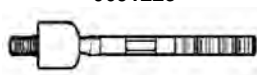
0401226



0691223



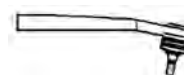
0691223



0181221



0283582



0401226



i	1) SERIE S 130 - > 1981 - SERIES S 130 - > 1981	2) SERIE Z 31 - SERIES Z 31
	3) 1981 >	4) SERIE S 130 - SERIES S 130

OCAP	O.E.		i	
0181221	48521-S0126	TESTA STERZO INTERNA TIE ROD END INNER	1)	RHT M14x1,5
0283582	48520-21P25	TESTA STERZO ESTERNA TIE ROD END OUTER	2)	RHT M14x1,5
0401226	40160-S0128	SNODO SOSPENSIONE - INFERIORE BALL JOINT - LOWER	4)	
0691223	48521-W1001	SNODO ASSIALE AXIAL JOINT	3)	RHT M14x1,5

DESTRO
RIGHT



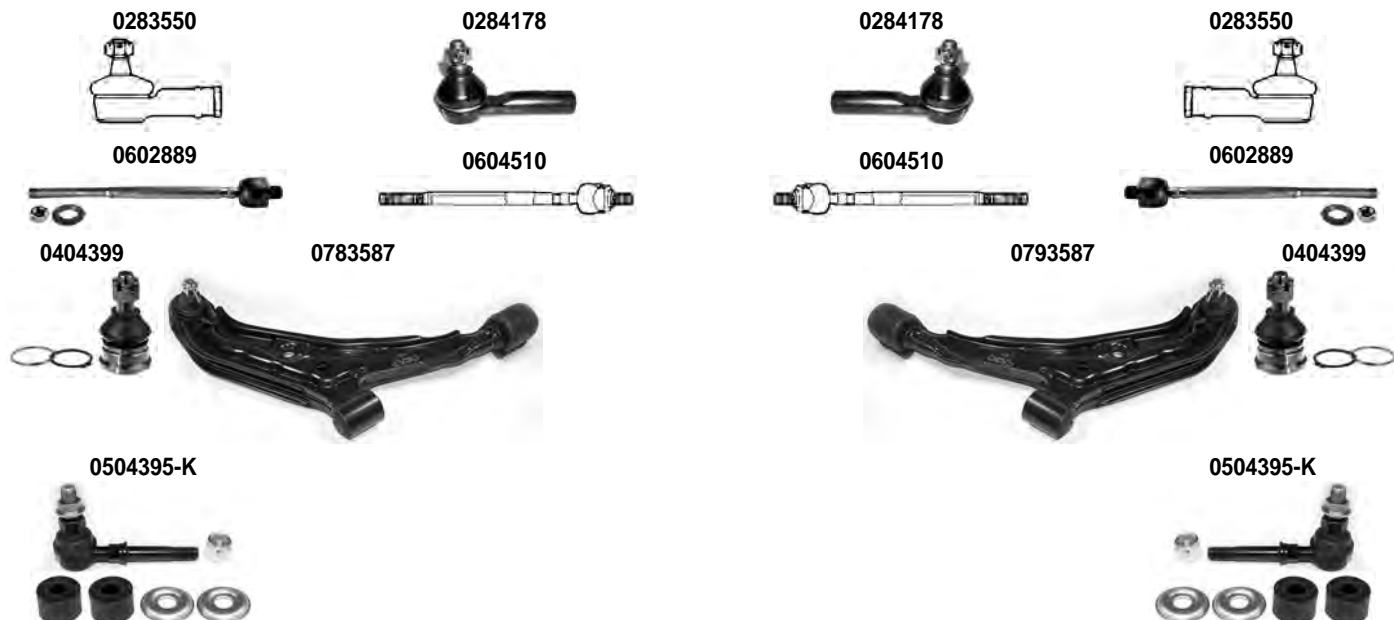
SINISTRO
LEFT

ALMERA I	N 15	1995 > 2000
----------	------	-------------

Asse Anteriore



Front Axle



i 1) ECCETTO - EXCEPT : MOD. 2.0 D - 2.0 GTI 3) STERZO MANUALE - MANUAL STEERING	2) SOLO PER - ONLY FOR : MOD. 2.0 D - 2.0 GTI 4) SERVOSTERZO - POWER STEERING
--	--

OCAP	O.E.		i	
0283550	48520-01E26	TESTA STERZO TIE ROD END	1)	RHT M12X1,25
0284178	48520-0M085	TESTA STERZO TIE ROD END	2)	RHT M14X1,5
0404399	40160-60Y00	SNODO SOSPENSIONE INFERIORE SUSPENSION JOINT - LOWER		
0602889	48521-50Y00	SNODO ASSIALE AXIAL JOINT	3)	RHT M12x1,25
0604510	48521-1M226	SNODO ASSIALE AXIAL JOINT	4)	RHT M12x1,25
0783587	54500-0M060	BRACCIO OSCILLANTE TRACK CONTROL ARM		
0793587	54501-0M060	BRACCIO OSCILLANTE TRACK CONTROL ARM		
0504395-K	54618-50Y00	STABILIZZATORE STABILIZER LINK		

DESTRO
RIGHT

 SINISTRO
LEFT

ALMERA II

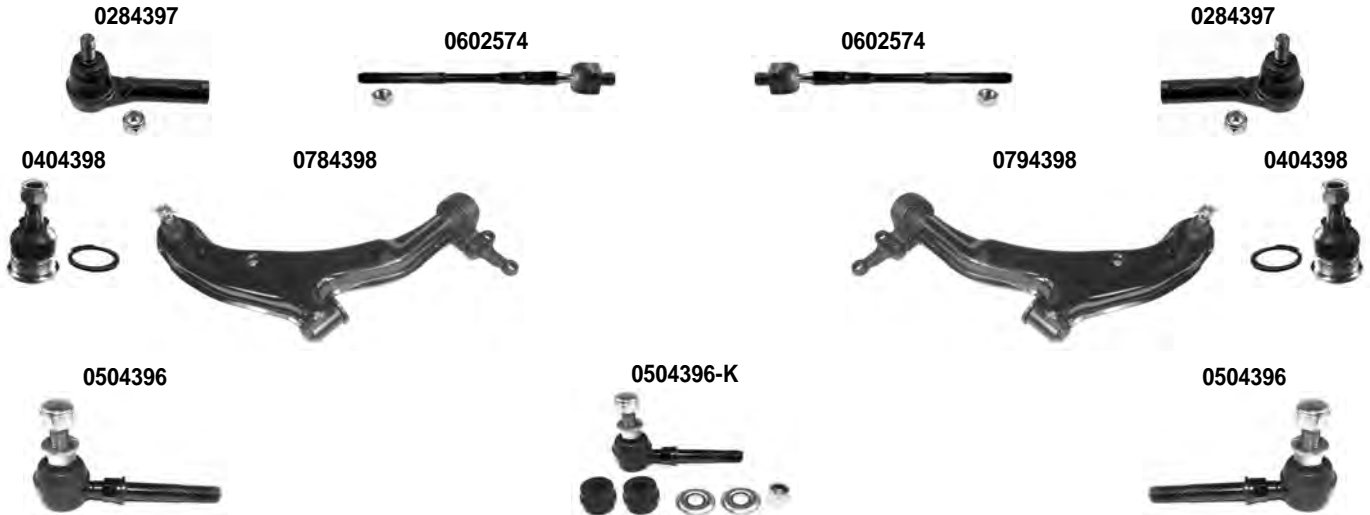
N 16



2000 >

Asse Anteriore



Front Axle



OCAP	O.E.		
0284397	48520-BM425	TESTA STERZO <i>TIE ROD END</i>	RHT M12X1,25
0404398	54500-BM410 *	SNODO SOSPENSIONE <i>BALL JOINT</i>	
0504396	54618-4M400	STABILIZZATORE <i>STABILIZER LINK</i>	
0602574	48521-4M587	SNODO ASSIALE <i>AXIAL JOINT</i>	
0784398	54500-BM410	BRACCIO OSCILLANTE <i>TRACK CONTROL ARM</i>	
0794398	54501-BM410	BRACCIO OSCILLANTE <i>TRACK CONTROL ARM</i>	
0504396-K	54618-4M400 *	KIT STABILIZZATORE <i>STABILIZER LINK KIT</i>	

DESTRO
RIGHT



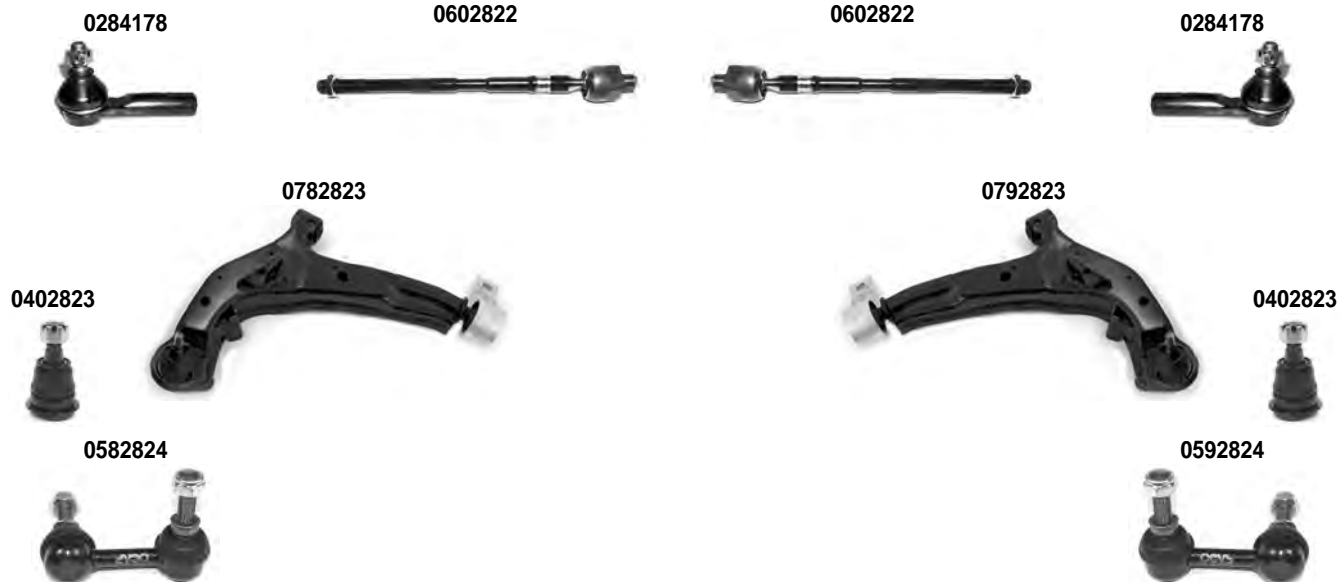
SINISTRO
LEFT

ALMERA TINO	V10	08/2000 >
-------------	-----	-----------

Asse Anteriore



Front Axle



OCAP	O.E.			
0284178	48520-0M085	TESTA STERZO TIE ROD END		RHT M14X1,5
0402823	40160-2Y000	SNODO SOSPENSIONE - INFERIORE SUSPENSION JOINT - LOWER		
0582824	54618-4U000	STABILIZZATORE STABILIZER LINK		
0592824	54668-4U000	STABILIZZATORE STABILIZER LINK		
0602822	48521-4U110	SNODO ASSIALE AXIAL JOINT		
0782823	54500-4U002	BRACCIO OSCILLANTE - INFERIORE TRACK CONTROL ARM - LOWER		
0792823	54501-4U002	BRACCIO OSCILLANTE - INFERIORE TRACK CONTROL ARM - LOWER		

DESTRO
RIGHT



SINISTRO
LEFT

ATLEON

09/2000 >




Asse Anteriore



Front Axle

0506590



OCAP	O.E.			
0506590	11200454-0	BARRA STERZO TIE ROD		L=780 mm.

DESTRO
RIGHT



SINISTRO
LEFT

**AUSTER
STANZA**

A10 - A11
T11

1977 > 1985
08/1981 > 12/1985

Asse Anteriore



Front Axle

0503565



0503566



0283553



0583564



0293554



0283554



0593564



0293553



0500994



0500994



0280090



0600993



0600993



0280090



0303568



0303569



i 1) SERIE - SERIES - A10 - A11 > 1981
3) SERIE - SERIES - A10 - A11

2) SERIE - SERIES - T11 - > 1985

OCAP	O.E.		i	
0280090	48520-D0126	TESTA STERZO TIE ROD END	2)	RHT M12x1,25
0283553	48520-W5025	TESTA STERZO ESTERNA TIE ROD END OUTER	1)	RHT M14x1,5
0283554	48641-W5025	TESTA STERZO INTERNA TIE ROD END INNER	1)	RHT M14x1,5
0293553	48640-W5025	TESTA STERZO ESTERNA TIE ROD END OUTER	1)	LHT M14x1,5
0293554	48521-W5025	TESTA STERZO INTERNA TIE ROD END INNER	1)	LHT M14x1,5
0303568	48530-H6100	BRACCIO STERZO - L H D IDLER ARM - L H D	3)	
0303569	48530-H5000	BRACCIO STERZO - R H D IDLER ARM - R H D	3)	
0500994	48510-D0125	BARRA STERZO TIE ROD	2)	
0503565	48560-W5725	BARRA STERZO - L H D TIE ROD - L H D	1)	
0503566	48560-W5025	BARRA STERZO - R H D TIE ROD - R H D	1)	
0583564	48510-W5025	BARRA STERZO TIE ROD	1)	
0593564	48630-W5025	BARRA STERZO TIE ROD	1)	
0600993	48521-D0100	SNODO ASSIALE AXIAL JOINT	2)	RHT M12x1,25

DESTRO
RIGHT



SINISTRO
LEFT

**AUSTER
STANZA**

A10 - A11
T11

1977 > 1985
08/1981 > 12/1985

Asse Anteriore



Front Axle

0403555



0483567



0493567



0403555



i 1) SERIE - SERIES - A10 - A11 > 1981	2) SERIE - SERIES - T11 - > 1985
---	----------------------------------

OCAP	O.E.		i	
0403555	40160-W5000	SNODO SOSPENSIONE INFERIORE <i>SUSPENSION JOINT - LOWER</i>	1)	
0483567	40160-D0125	SNODO SOSPENSIONE INFERIORE <i>SUSPENSION JOINT - LOWER</i>	2)	
0493567	40161-D0125	SNODO SOSPENSIONE INFERIORE <i>SUSPENSION JOINT - LOWER</i>	2)	

DESTRO
RIGHT



SINISTRO
LEFT

BLUEBIRD	P 510 > 610	1968 > 1976
-----------------	-------------	-------------

Asse Anteriore



Front Axle

0503514



0283509

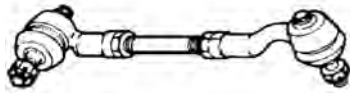
0583512

0293510

0283510

0593512

0293509



0403513

0303516

0403513



OCAP	O.E.			
0283509	48520-U0100	TESTA STERZO ESTERNA <i>TIE ROD END</i>		RHT M14x1,5
0283510	48641-U0100	TESTA STERZO INTERNA <i>TIE ROD END INNER</i>		RHT M14x1,5
0293509	48640-U0100	TESTA STERZO ESTERNA <i>TIE ROD END</i>		LHT M14x1,5
0293510	48521-U0100	TESTA STERZO INTERNA <i>TIE ROD END INNER</i>		LHT M14x1,5
0303516	48530-21400	BRACCIO STERZO - L H D <i>IDLER ARM - L H D</i>		
0403513	40160-U7000	SNODO SOSPENSIONE INFERIORE <i>SUSPENSION JOINT - LOWER</i>		
0503514	48560-U5200	BARRA STERZO - L H D <i>TIE ROD - L H D</i>		
0583512	48510-U0100	BARRA STERZO <i>TIE ROD</i>		
0593512	48630-U0100	BARRA STERZO <i>TIE ROD</i>		

DESTRO
RIGHT



SINISTRO
LEFT

**BLUEBIRD
SKYLINE**

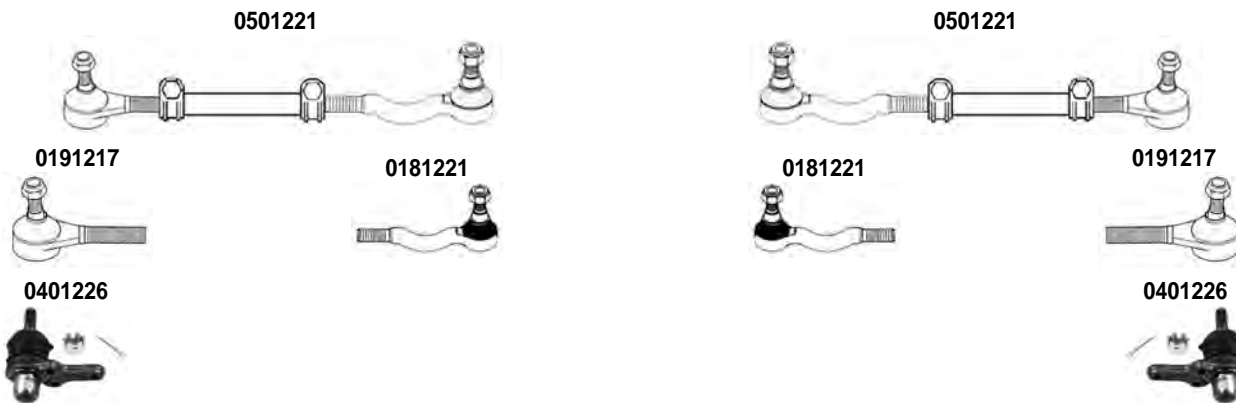
810-RG810-RG811
C110-C111-C210-C211

1976 > 1979
1972 > 1981

Asse Anteriore



Front Axle



OCAP	O.E.		i	
0181221	48521-S0126	TESTA STERZO INTERNA <i>TIE ROD END INNER</i>		RHT M18x1,5
0191217	48520-S0125	TESTA STERZO ESTERNA <i>TIE ROD END OUTER</i>		LHT M18x1,5
0401226	40160-S0128	SNODO SOSPENSIONE INFERIORE <i>SUSPENSION JOINT - LOWER</i>		
0501221	48510-S0125	BARRA STERZO <i>TIE ROD</i>		

DESTRO
RIGHT



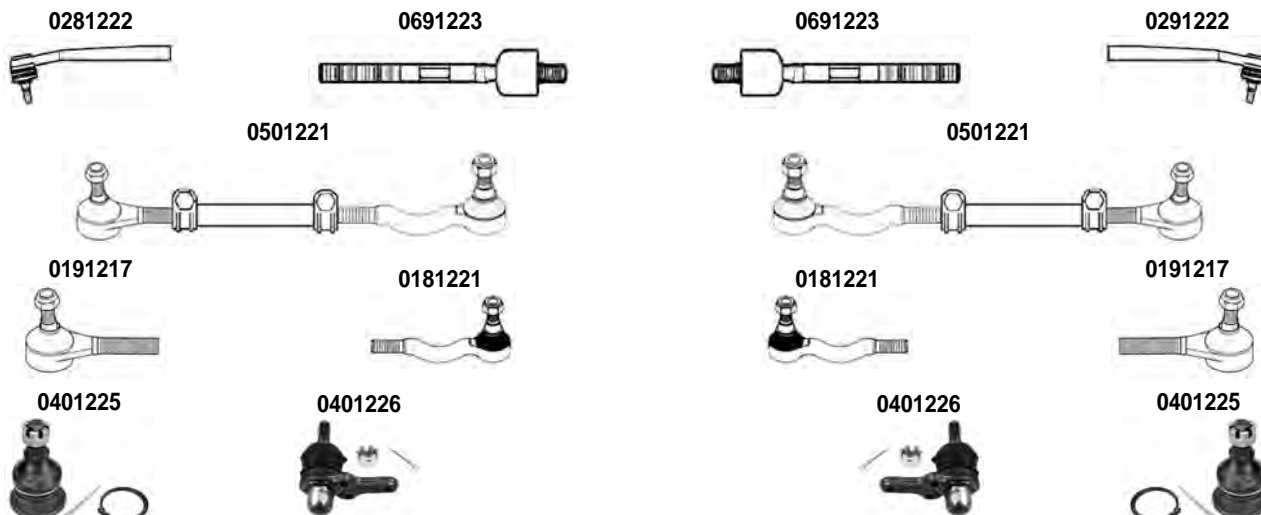
SINISTRO
LEFT

BLUEBIRD	910	1979 > 1983
-----------------	-----	-------------

Asse Anteriore



Front Axle



i 1) MOD. PJ910P (Z18P)

OCAP	O.E.		i	
0181221	48521-S0126	TESTA STERZO INTERNA <i>TIE ROD END INNER</i>	1)	RHT M18x1,5
0191217	48520-S0125	TESTA STERZO ESTERNA <i>TIE ROD END OUTER</i>	1)	LHT M18x1,5
0281222	48520-W1025	TESTA STERZO <i>TIE ROD END</i>		RHT M14x1,5
0291222	48640-W1025	TESTA STERZO <i>TIE ROD END</i>		RHT M14x1,5
0401225	40160-W2200	SNODO SOSPENSIONE INFERIORE <i>SUSPENSION JOINT - LOWER</i>		
0401226	40160-S0128	SNODO SOSPENSIONE INFERIORE <i>SUSPENSION JOINT - LOWER</i>	1)	
0501221	48510-Q0125	BARRA STERZO <i>TIE ROD</i>	1)	
0691223	48521-W1001	SNODO ASSIALE <i>AXIAL JOINT</i>		RHT M14x1,5

DESTRO
RIGHT



SINISTRO
LEFT

BLUEBIRD

U 11
U 12

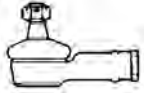
1983 > 1987
1987 >

Asse Anteriore



Front Axle

0283550



0283526



0403527



0504395-K



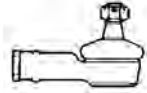
0600993



0600993



0283550



0283526



0403527



0504395-K



i 1) SERIE U 11 - SERIES U 11	2) SERIE U 12 - SERIES U 12
--------------------------------------	-----------------------------

OCAP	O.E.		i	
0283526	48520-53E25	TESTA STERZO TIE ROD END	2)	RHT M12x1,25
0283550	48520-01E26	TESTA STERZO TIE ROD END	1)	RHT M12x1,25
0403527	40160-01E00	SNODO SOSPENSIONE INFERIORE SUSPENSION JOINT - LOWER		
0600993	48521-D0100	SNODO ASSIALE AXIAL JOINT	2)	RHT M12x1,25
0504395-K	54618-50Y00	STABILIZZATORE STABILIZER LINK		

DESTRO
RIGHT



SINISTRO
LEFT

CABSTAR - HOMER

F20 - F21

1976 > 1981

Asse Anteriore



Front Axle

0193529



0183529



0583530



0593530



0403531



0403531



0403533



0403533



0403532



0480146



0490146



0403532



i 1) > 1978	2) 1978 >
--------------------	-----------

OCAP	O.E.		i	
0183529	48561-T3025	TESTA STERZO TIE ROD END		RHT M20x1,5
0193529	48571-T3025	TESTA STERZO TIE ROD END		LHT M20x1,5
0403531	40110-T3025	SNODO SOSPENSIONE - SUPERIORE SUSPENSION JOINT - UPPER	1)	
0403532	40160-T3025	SNODO SOSPENSIONE - INFERIORE SUSPENSION JOINT - LOWER	1)	
0403533	40110-B9500	SNODO SOSPENSIONE - SUPERIORE SUSPENSION JOINT - UPPER	2)	
0480146	40160-48W25	SNODO SOSPENSIONE - INFERIORE SUSPENSION JOINT - LOWER	2)	
0490146	40161-48W25	SNODO SOSPENSIONE - INFERIORE SUSPENSION JOINT - LOWER	2)	
0583530	48510-R8025	BARRA STERZO TIE ROD	2)	
0593530	48520-R8025	BARRA STERZO TIE ROD	2)	

DESTRO
RIGHT

SINISTRO
LEFT



CABSTAR

E (TL-VL)

10/1998 > 10/2006

Asse Anteriore

Front Axle



0509411



0186592



0196592



0408520



0408520



0408519



0408519



0508519



0508519



i 1) 3.200-3.400-3.500-4.500-5.100 kg > 12/2003
3.400-4.500KG 12/2003 >

OCAP	O.E.		i	
0186592	11200360-0	TESTA STERZO TIE ROD END		RHT M22x1,5
0196592	11200361-0	TESTA STERZO TIE ROD END		LHT M22x1,5
0408519	40160-9X502	SNODO SOSPENSIONE - INFERIORE SUSPENSION JOINT - LOWER		
0408520	40110-9X502	SNODO SOSPENSIONE - SUPERIORE SUSPENSION JOINT - UPPER		
0508519	54618-F3901	STABILIZZATORE STABILIZER LINK		L=195 mm.
0509411	48510-F3900	BARRA STERZO TIE ROD	1)	L=640 mm.

DESTRO
RIGHT



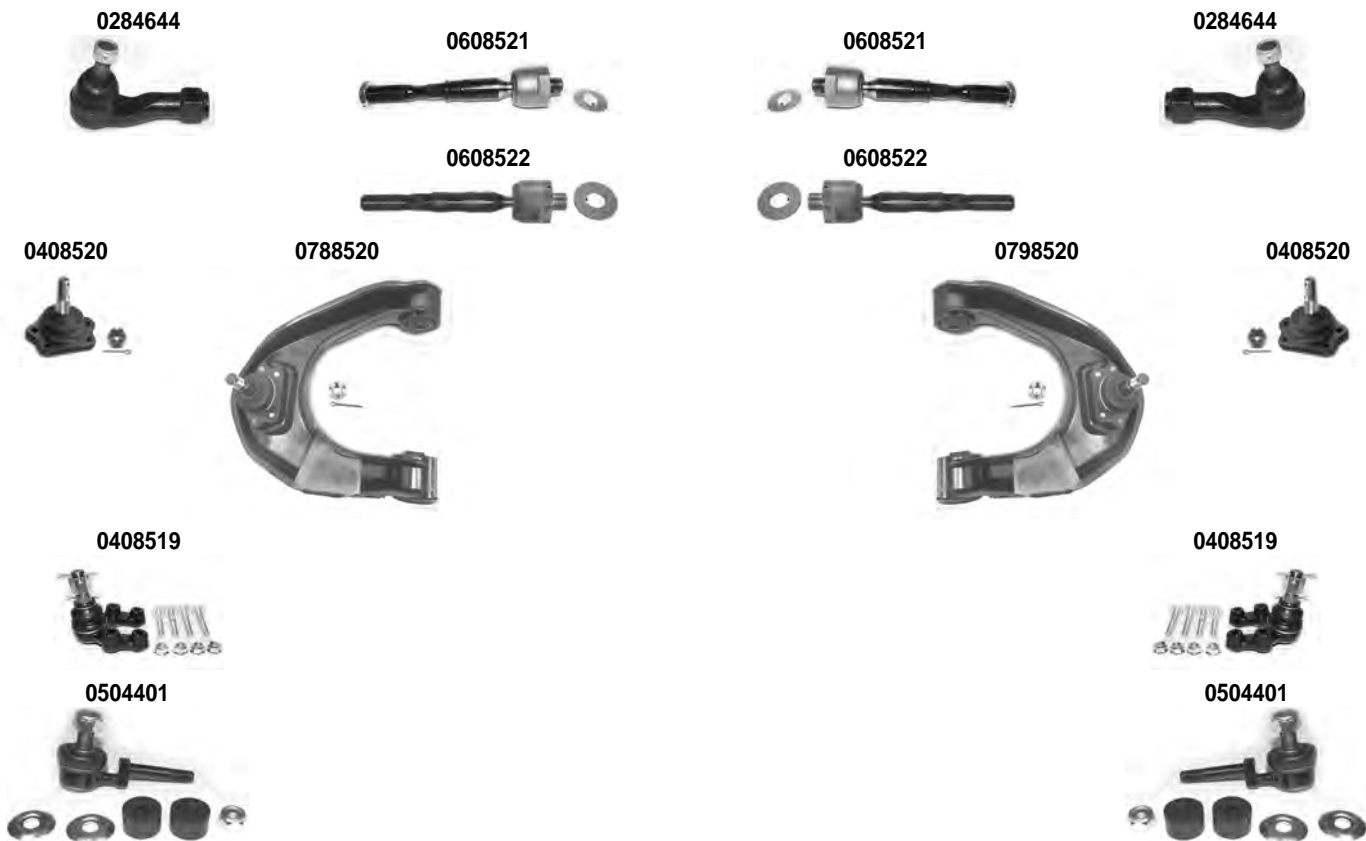
SINISTRO
LEFT

CABSTAR	F24M-F24W	09/2006 > 12/2013
---------	-----------	-------------------

Asse Anteriore



Front Axle



i 1) > 12/2010	2) 01/2011 >
-----------------------	--------------

OCAP	O.E.		i	
0284644	48520-VW000	TESTA STERZO TIE ROD END		RHT M20x1,5
0408519	40160-9X502	SNODO SOSPENSIONE - INFERIORE SUSPENSION JOINT - LOWER		
0408520	40110-9X502	SNODO SOSPENSIONE - SUPERIORE SUSPENSION JOINT - UPPER		
0504401	54618-0F000	STABILIZZATORE STABILIZER LINK		
0608521	D8521-MB40A	SNODO ASSIALE AXIAL JOINT	1)	RHT M20x1,5
0608522	D8521-MD00A	SNODO ASSIALE AXIAL JOINT	2)	RHT M20x1,5
0788520	54524-9X502	BRACCIO OSCILLANTE - SUPERIORE TRACK CONTROL ARM - UPPER		
0798520	54525-9X502	BRACCIO OSCILLANTE - SUPERIORE TRACK CONTROL ARM - UPPER		

DESTRO
RIGHT



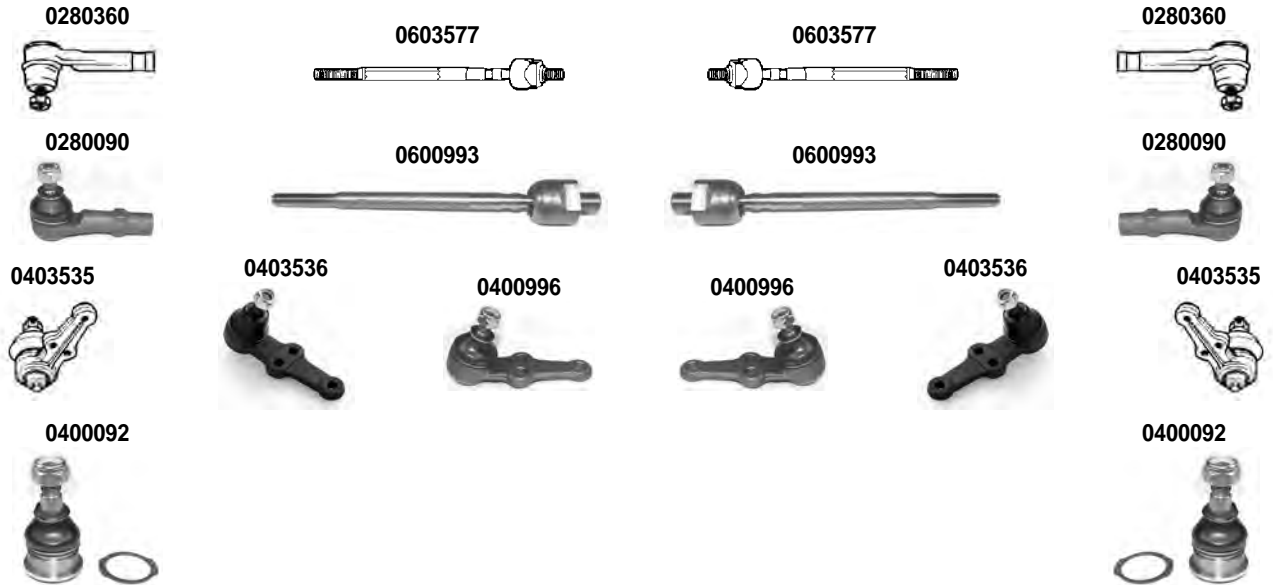
SINISTRO
LEFT

CHERRY CHERRY CHERRY	F10-F11 N10-N11 N12-HNN13-HNN13P	1974 > 1978 1978 > 1982 1982 >
----------------------------	--	--------------------------------------

Asse Anteriore



Front Axle



i 1) > 1982 3) 1982 >	2) 1978 > 1982 4) MOD. 4WD
---------------------------------	-------------------------------

OCAP	O.E.		i	
0280090	48520-D0126	TESTA STERZO TIE ROD END	3)	RHT M12x1,25
0280360	48520-M3025	TESTA STERZO TIE ROD END	1)	RHT M12x1,25
0400092	40160-50A00	SNODO SOSPENSIONE INFERIORE SUSPENSION JOINT - LOWER	3) 4)	
0400996	40160-01A25	SNODO SOSPENSIONE INFERIORE SUSPENSION JOINT - LOWER	3)	
0403535	40160-M3025	SNODO SOSPENSIONE INFERIORE SUSPENSION JOINT - LOWER	1)	
0403536	40160-M7025	SNODO SOSPENSIONE INFERIORE SUSPENSION JOINT - LOWER	2)	
0600993	48521-D0100	SNODO ASSIALE AXIAL JOINT	3)	RHT M12x1,25
0603577	48521-M7000	SNODO ASSIALE AXIAL JOINT	2)	RHT M12x1,25

DESTRO
RIGHT

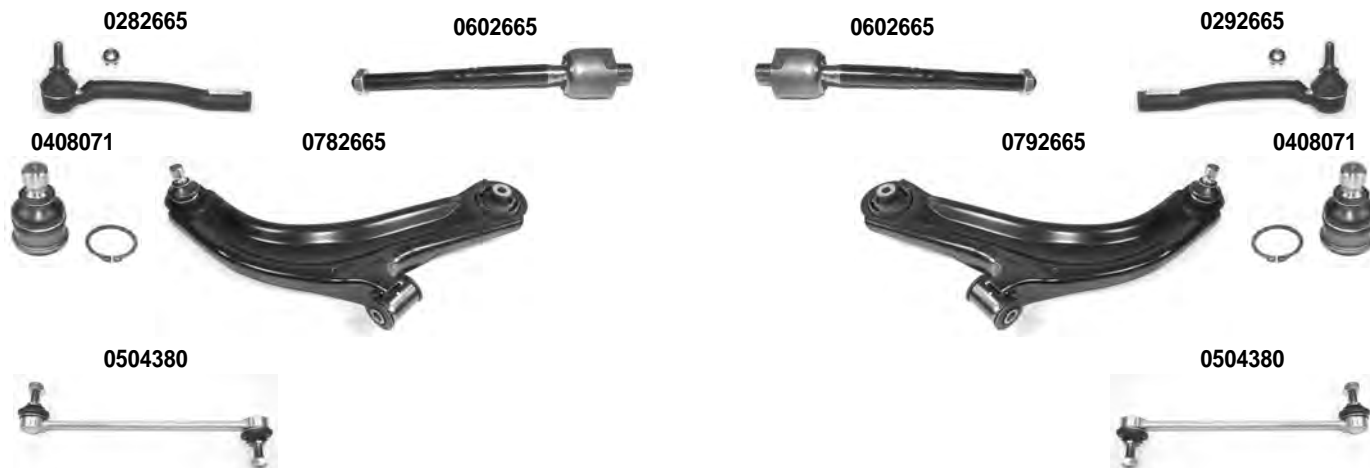


SINISTRO
LEFT

CUBE	Z12	02/2010 >
------	-----	-----------

Asse Anteriore

Front Axle



OCAP	O.E.			
0282665	48527-1U61A	TESTA STERZO TIE ROD END		RHT M12x1,25
0292665	48647-1U61A	TESTA STERZO TIE ROD END		RHT M12x1,25
0408071	54500-EW000 *	SNODO SOSPENSIONE INFERIORE BALL JOINT - LOWER		
0504380	54618-AX600	STABILIZZATORE STABILIZER LINK		
0602665	48521-3U025	SNODO ASSIALE AXIAL JOINT		RHT M12x1,25
0782665	54500-EW000	BRACCIO OSCILLANTE - INFERIORE TRACK CONTROL ARM - LOWER		
0792665	54501-EW000	BRACCIO OSCILLANTE - INFERIORE TRACK CONTROL ARM - LOWER		

DESTRO
RIGHT



SINISTRO
LEFT

INTERSTAR

X70

07/2002 >

Asse Anteriore



Front Axle



OCAP	O.E.		i	
0281495	48520-00QAJ	TESTA STERZO TIE ROD END		RHT M16x1,5
0291495	48520-00QAH	TESTA STERZO TIE ROD END		RHT M16x1,5
0381494	54500-00QAC	BRACCIO OSCILLANTE TRACK CONTROL ARM		
0391494	54501-00QAC	BRACCIO OSCILLANTE TRACK CONTROL ARM		
0401494	40160-00QAD	SNODO SOSPENSIONE INFERIORE LOWER BALL JOINT		
0401522	40160-00QAB	SNODO SOSPENSIONE SUPERIORE UPPER BALL JOINT		
0583812	54618-00QAA	STABILIZZATORE STABILIZER LINK		
0593812	54618-00QAB	STABILIZZATORE STABILIZER LINK		
0603811	48521-00QAF	SNODO ASSIALE AXIAL JOINT		
1216063	5445000QAA	SILENTBLOCK - BRACCIO SUPERIORE CONTROL ARM BUSHING - UPPER		

DESTRO
RIGHT



SINISTRO
LEFT

JUKE	06/2010 >
------	-----------

Asse Anteriore



Front Axle



OCAP	O.E.			
0288071	D8520-1KA0A	TESTA STERZO TIE ROD END		RHT M12x1,25
0298071	D8640-1KA0A	TESTA STERZO TIE ROD END		RHT M12x1,25
0408071	54500-EW000 *	SNODO SOSPENSIONE SUPERIORE BALL JOINT - LOWER		
0508071	54618-CY00A	STABILIZZATORE STABILIZER LINK		
0608071	48001-1KA0B *	SNODO ASSIALE AXIAL JOINT		RHT M12x1,25
0788071	54500-1KA0B	BRACCIO OSCILLANTE - INFERIORE TRACK CONTROL ARM - LOWER		
0798071	54501-1KA0B	BRACCIO OSCILLANTE - INFERIORE TRACK CONTROL ARM - LOWER		
1215978	54570-BB00A	SILENTBLOCK ESTREMO OUTER BUSHING		
1216154	54501-1KA0B **	SILENTBLOCK CENTRALE CENTRAL BUSHING		

DESTRO
RIGHT



SINISTRO
LEFT

KUBISTAR

08/2003 >

Asse Anteriore



Front Axle



i 1) SERVOSTERZO - POWER STEERING 2) STERZO MANUALE - MANUAL STEERING

OCAP	O.E.		i	
0281524	48520-00QAP	TESTA STERZO TIE ROD END		RHT M14x1,5
0291524	48520-00QAN	TESTA STERZO TIE ROD END		RHT M14x1,5
0400928	54500-00QAH *	SNODO SOSPENSIONE BALL JOINT		
0602377	48521-00QAG	SNODO ASSIALE AXIAL JOINT	1)	
0604203	48521-00QAA	SNODO ASSIALE AXIAL JOINT	2)	
0783209	54500-00QAH	BRACCIO OSCILLANTE TRACK CONTROL ARM		
0793209	54501-00QAH	BRACCIO OSCILLANTE TRACK CONTROL ARM		
1215313	54560-00QAB	SILENTBLOCK BUSHING		
0400928-K	54500-00QAH **	SNODO SOSPENSIONE BALL JOINT		

DESTRO
RIGHT



SINISTRO
LEFT

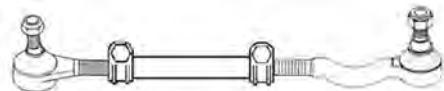
LAUREL	C130 - C131 - C230 - C231	1972 > 1980
---------------	---------------------------	-------------

Asse Anteriore

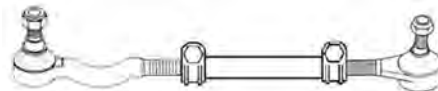


Front Axle

0501221



0501221



0191217



0191217






0401226



0401226



OCAP	O.E.			
0191217	48520-S0125	TESTA STERZO ESTERNA TIE ROD END - OUTER		LHT M18x1,5
0401226	40160-S0128	SNODO SOSPENSIONE INFERIORE SUSPENSION JOINT - LOWER		
0501221	48510-Q0125	BARRA STERZO TIE ROD		

DESTRO
RIGHT



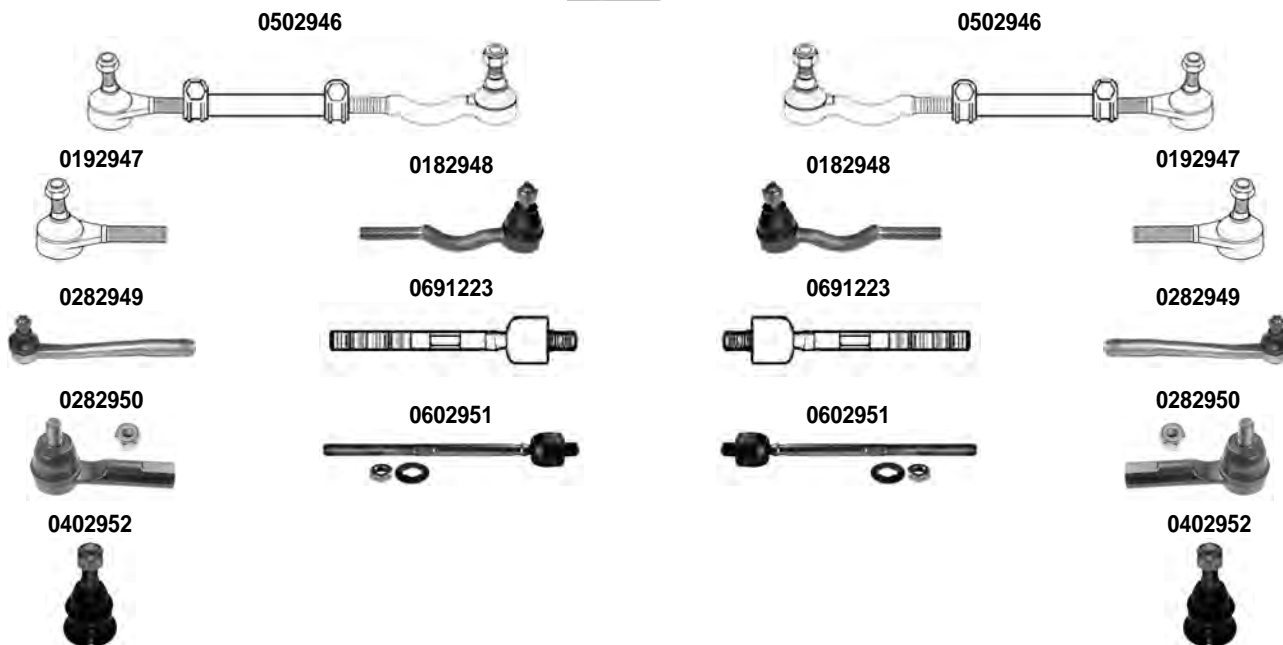
SINISTRO
LEFT

LAUREL	C31	1980 > 1984
	C32	1984 > 1988
	C33	1988 > 1993

Asse Anteriore



Front Axle



i 1) SERIE C31 - SERIES C31 3) SERIE C33 - SERIES C33	2) SERIE C32 - SERIES C32
---	---------------------------

OCAP	O.E.		i	
0182948	48521-01L25	TESTA STERZO INTERNA TIE ROD END - INNER	1)	RHT M14x1,5
0192947	48520-01L25	TESTA STERZO ESTERNA TIE ROD END - OUTER	1)	LHT M14x1,5
0282949	48520-41L27	TESTA STERZO TIE ROD END	2)	RHT M14x1,5
0282950	48520-71L25	TESTA STERZO TIE ROD END	3)	RHT M14x1,5
0402952	40160-67L00	SNODO SOSPENSIONE INFERIORE SUSPENSION JOINT - LOWER	2)	
0502946	48510-01L25	BARRA STERZO TIE ROD	1)	
0602951	48521-72E06	SNODO ASSIALE AXIAL JOINT	3)	RHT M14x1,5
0691223	48521-01F00	SNODO ASSIALE AXIAL JOINT	2)	RHT M14x1,5

DESTRO
RIGHT



SINISTRO
LEFT

MAXIMA 810

1981 > 1984

Asse Anteriore



Front Axle

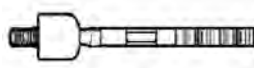
0281222



0691223



0691223



0291222



0401225



0401225



OCAP	O.E.		
0281222	48520-W1025	TESTA STERZO TIE ROD END	RHT M14x1,5
0291222	48640-W1025	TESTA STERZO TIE ROD END	RHT M14x1,5
0401225	40160-W2200	SNODO SOSPENSIONE INFERIORE SUSPENSION JOINT - LOWER	
0691223	48521-W1001	SNODO ASSIALE AXIAL JOINT	RHT M14x1,5

DESTRO
RIGHT

 SINISTRO
LEFT

MAXIMA

J30

1988 > 1994

Asse Anteriore

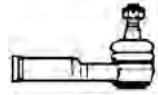


Front Axle

0282957

0602951



0602951

0282957

0403527

0403527

0504395-K

0504395-K


OCAP	O.E.		
0282957	48520-88E25	TESTA STERZO <i>TIE ROD END</i>	RHT M14x1,5
0403527	40160-01E00	SNODO SOSPENSIONE INFERIORE <i>SUSPENSION JOINT - LOWER</i>	
0602951	48521-72E06	SNODO ASSIALE <i>AXIAL JOINT</i>	RHT M14x1,5
0504395-K	54618-50Y00	STABILIZZATORE <i>STABILIZER LINK</i>	

DESTRO
RIGHT



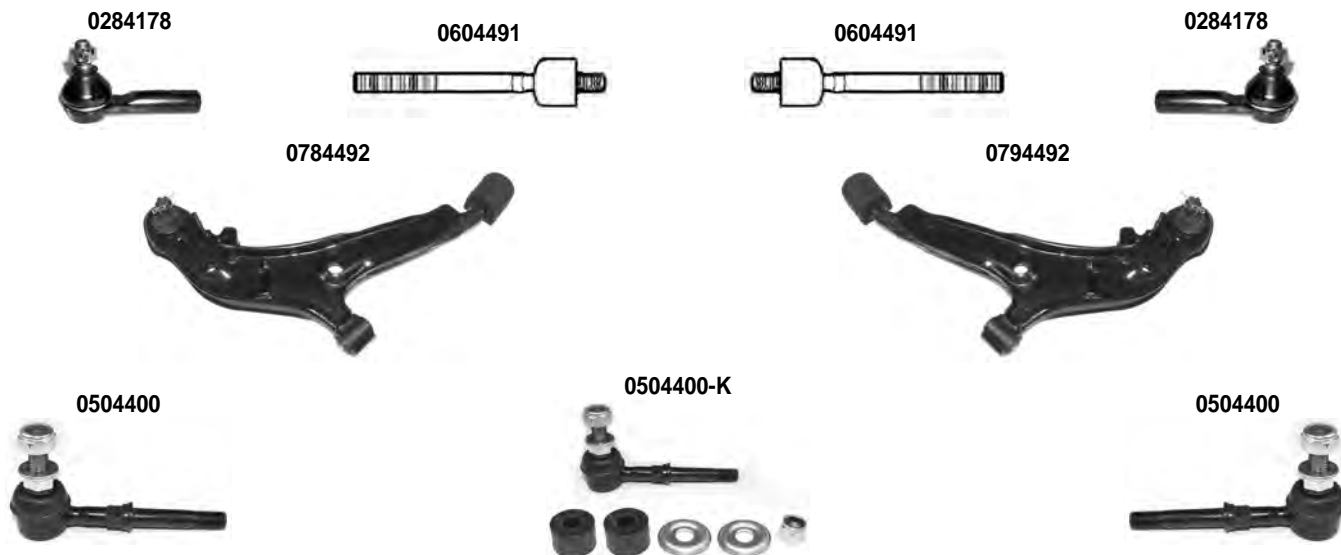
SINISTRO
LEFT

MAXIMA QX	A32	10/1994 > 08/2000
-----------	-----	-------------------

Asse Anteriore



Front Axle



i 1) SOLO PER - ONLY FOR : MOD. 2.0 D - 2.0 GTI

OCAP	O.E.		i	
0284178	48520-0M085	TESTA STERZO TIE ROD END	1)	RHT M14X1,5
0504400	54618-0E000	STABILIZZATORE STABILIZER LINK		
0604491	48521-40U25	SNODO ASSIALE AXIAL JOINT		
0784492	54500-41U00	BRACCIO OSCILLANTE - INFERIORE TRACK CONTROL ARM - LOWER		
0794492	54501-41U00	BRACCIO OSCILLANTE - INFERIORE TRACK CONTROL ARM - LOWER		
0504400-K	54618-0E000 *	KIT STABILIZZATORE STABILIZER LINK KIT		

DESTRO
RIGHT

 SINISTRO
LEFT

MICRA
MICRA L-LX-SLX

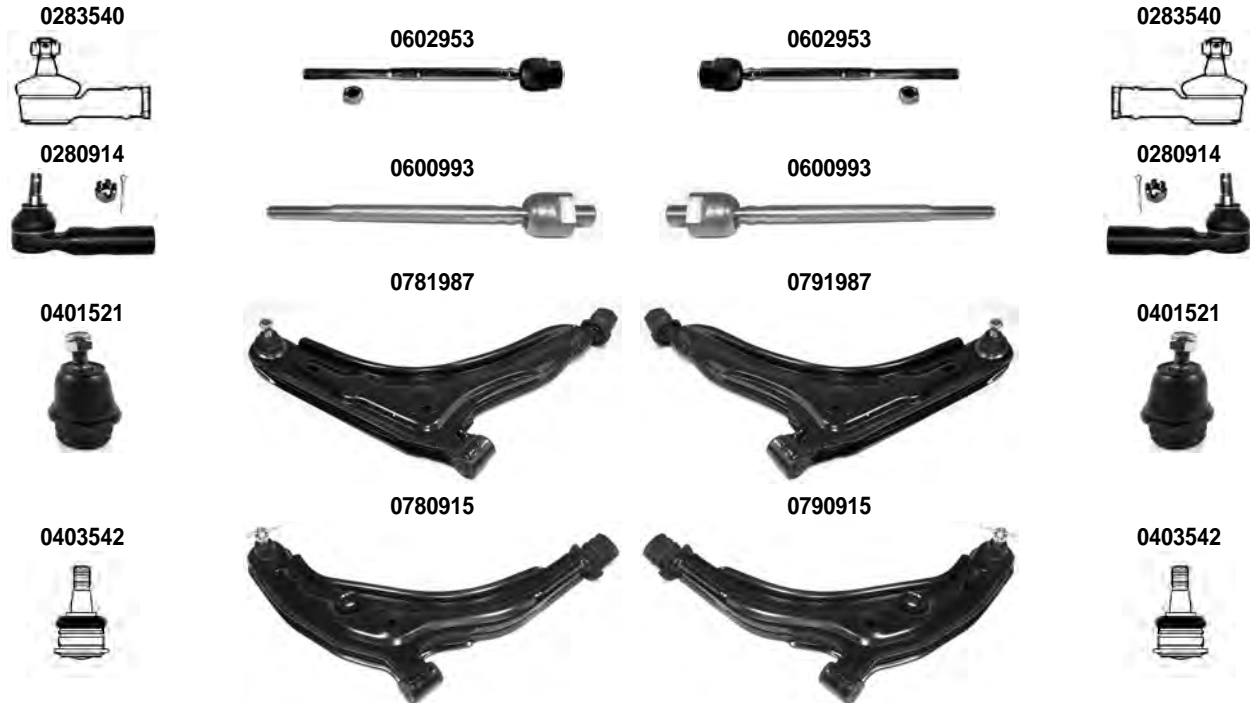
 K 10
K 11

 12/1982 > 11/1992
08/1992 > 02/2003

Asse Anteriore



Front Axle



i	1) SERIE K 10 - SERIES K 10	2) SERIE K 11 - SERIES K 11
	3) SERIE - SERIES: K10. - 1.0 > 02/1985 - 1.2 > 02/1987 - K11 TUTTI I MODELLI - ALL MODELS	4) SERIE K 11 - > 02/1998

OCAP	O.E.		i	
0280914	48520-6F625	TESTA STERZO TIE ROD END	2)	RHT 12x1,25
0283540	48520-17B25	TESTA STERZO TIE ROD END	1)	RHT 12x1,25
0401521	40160-01B25	SNODO SOSPENSIONE INFERIORE SUSPENSION JOINT - LOWER	1)	
0403542	40160-4F100	SNODO SOSPENSIONE INFERIORE SUSPENSION JOINT - LOWER	2)	
0600993	48521-D0100	SNODO ASSIALE AXIAL JOINT	3)	
0602953	48521-01B25	SNODO ASSIALE AXIAL JOINT	1)	
0780915	54500-4F105	BRACCIO OSCILLANTE TRACK CONTROL ARM	4)	
0781987	54500-21B00	BRACCIO OSCILLANTE TRACK CONTROL ARM	1)	
0790915	54501-4F105	BRACCIO OSCILLANTE TRACK CONTROL ARM	4)	
0791987	54501-21B00	BRACCIO OSCILLANTE TRACK CONTROL ARM	1)	

MICRA

DESTRO
RIGHT



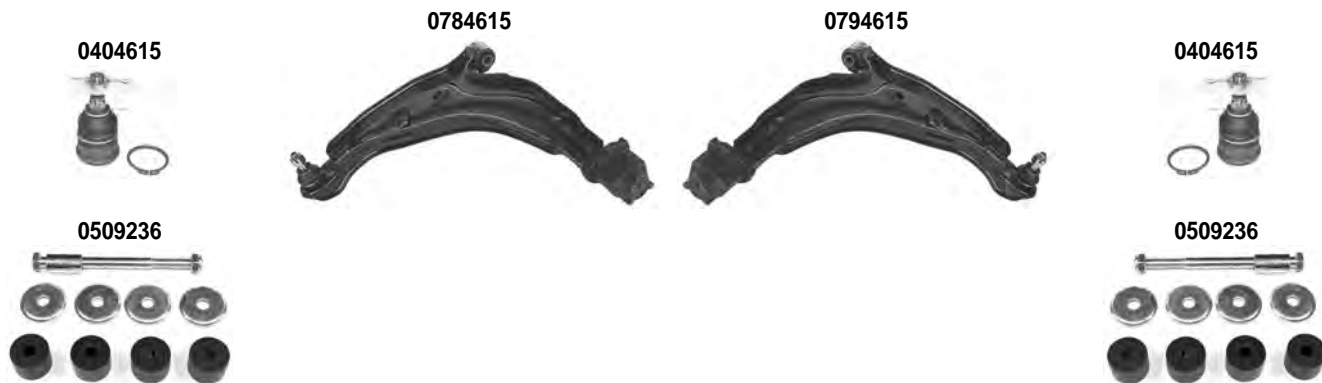
SINISTRO
LEFT

MICRA MICRA L-LX-SLX	K 10 K 11	12/1982 > 11/1992 08/1992 > 02/2003
-------------------------	--------------	--

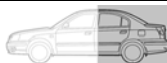
Asse Anteriore



Front Axle



Asse Posteriore



Rear Axle



i 2) SERIE K 11 - SERIES K 11	5) SERIE K 11 - 03/1998 >
--------------------------------------	---------------------------

OCAP	O.E.		i	
0404615	54500-6F600 *	SNODO SOSPENSIONE - INFERIORE SUSPENSION JOINT - LOWER	5)	
0503541	56261-47B01	STABILIZZATORE STABILIZER LINK	2)	
0509236	54618-47B01	STABILIZZATORE STABILIZER LINK	2)	
0784615	54500-6F600	BRACCIO OSCILLANTE - INFERIORE TRACK CONTROL ARM LOWER	5)	
0794615	54501-6F600	BRACCIO OSCILLANTE - INFERIORE TRACK CONTROL ARM LOWER	5)	

DESTRO
RIGHT

 SINISTRO
LEFT

**MICRA
NOTE**

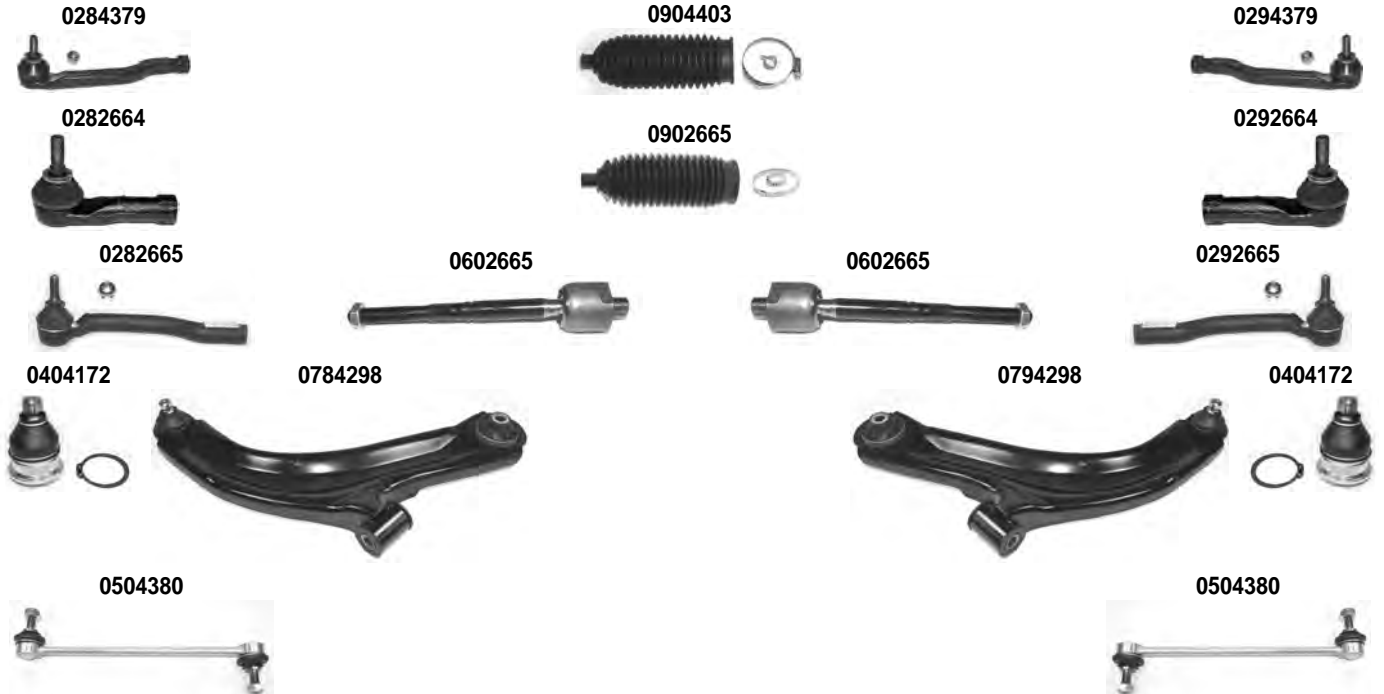
 K 12
E 11

 02/2003 >
03/2006 > 2012

Asse Anteriore



Front Axle



i	1) > 04/2004	2) 04/2004 > 09/2007 4) 09/2007 >
	3) > 09/2007	
	5) SOLO PER - ONLY FOR NOTE	

OCAP	O.E.		i	
0282664	48520-AX602	TESTA STERZO TIE ROD END	2)	RHT 14x1,25
0282665	48527-1U61A	TESTA STERZO TIE ROD END	4)	RHT 14x1,25
0284379	48520-AX600	TESTA STERZO TIE ROD END	1)	RHT 14x1,25
0292664	48640-AX602	TESTA STERZO TIE ROD END	2)	RHT 14x1,25
0292665	48647-1U61A	TESTA STERZO TIE ROD END	4)	RHT 14x1,25
0294379	48640-AX600	TESTA STERZO TIE ROD END	1)	RHT 14x1,25
0404172	40160-AX000	SNODO SOSPENSIONE INFERIORE SUSPENSION JOINT - LOWER		
0504380	54618-AX600	STABILIZZATORE STABILIZER LINK		
0602665	48521-3U025	SNODO ASSIALE AXIAL JOINT	5)	RHT 14x1,25
0784298	54500-AX600	BRACCIO OSCILLANTE TRACK CONTROL ARM		
0794298	54501-AX600	BRACCIO OSCILLANTE TRACK CONTROL ARM		
0902665	48203-1U61A	KIT CUFFIE STERZO STEERING GAITER KIT	4)	
0904403	48203-AX600	KIT CUFFIE STERZO STEERING GAITER KIT	3)	

DESTRO
RIGHT



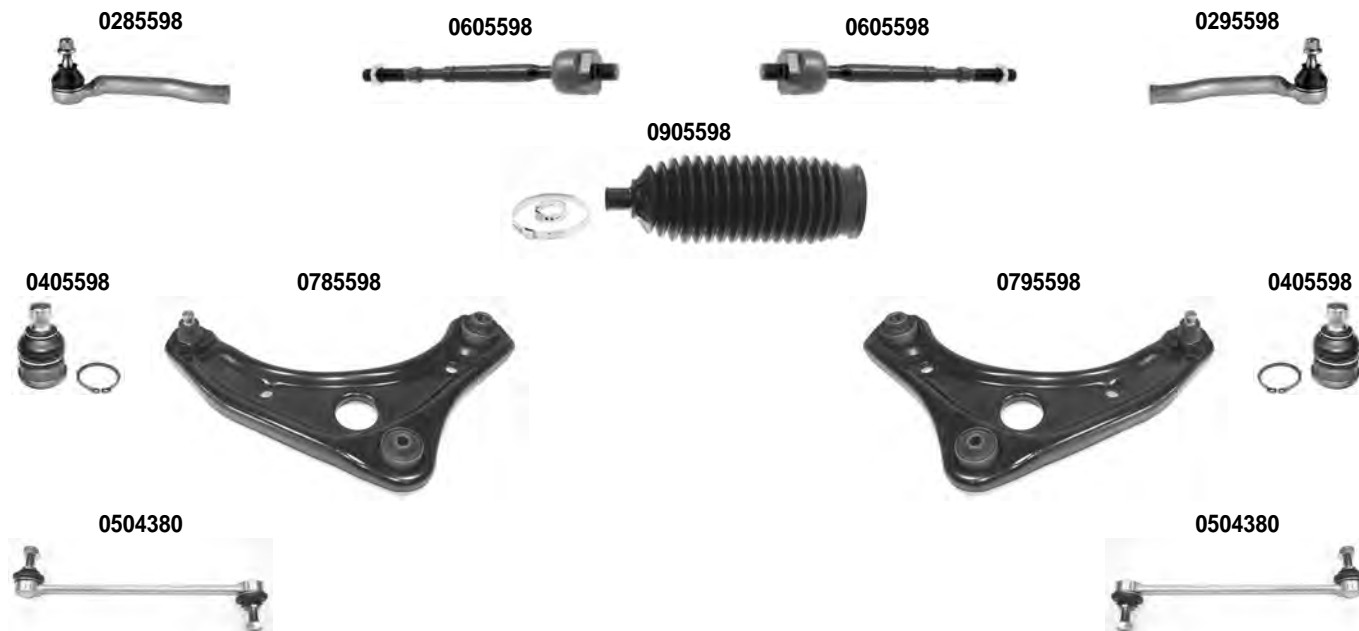
SINISTRO
LEFT

MICRA NOTE	K 13 E 12	05/2010 > 06/2013 >
---------------	--------------	------------------------

Asse Anteriore



Front Axle



i 1) ECCETTO - EXCEPT : NOTE

OCAP	O.E.		i	
0285598	D8520-1HA0A	TESTA STERZO TIE ROD END		RHT M12x1,25
0295598	D8640-1HA0A	TESTA STERZO TIE ROD END		RHT M12x1,25
0405598	54500-1HA0C *	SNODO SOSPENSIONE BALL JOINT		
0504380	54618-JX00A	STABILIZZATORE STABILIZER LINK		
0605598	D8521-1HA0A	SNODO ASSIALE AXIAL JOINT	1)	RHT M12x1,25
0785598	54500-1HA0C	BRACCIO OSCILLANTE TRACK CONTROL ARM		
0795598	54501-1HA0C	BRACCIO OSCILLANTE TRACK CONTROL ARM		
0905598	D8203-1HA0A	KIT CUFFIE STERZO STEERING GAITER KIT	1)	

DESTRO
RIGHT



SINISTRO
LEFT

MURANO

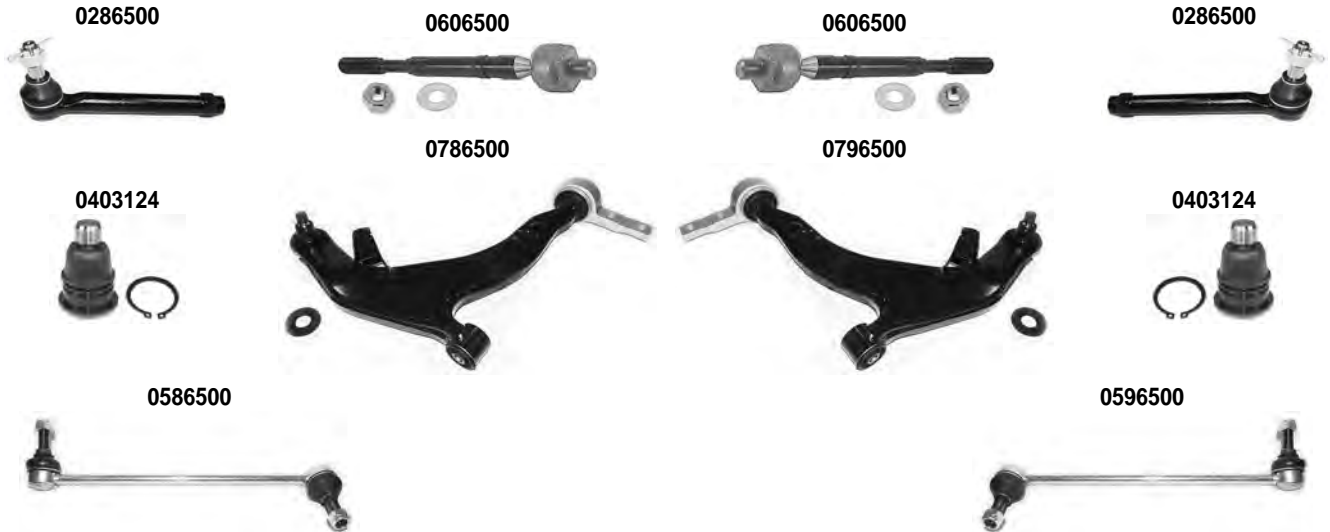
Z50

08/2003 > 2008

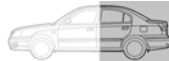
Asse Anteriore



Front Axle



Asse Posteriore



Rear Axle



1) > 02/2007				
OCAP	O.E.			
0286500	48520-CA025	TESTA STERZO TIE ROD END		RHT 16x1,5
0388062	55501-CA00A	BRACCIO OSCILLANTE - SUPERIORE TRACK CONTROL ARM - UPPER		
0398062	55502-CA00A	BRACCIO OSCILLANTE - SUPERIORE TRACK CONTROL ARM - UPPER		
0403124	40160-CC40A	SNODO SOSPENSIONE INFERIORE SUSPENSION JOINT - LOWER		
0586500	54618-CA000	STABILIZZATORE STABILIZER LINK		
0588062	54618-CA010	STABILIZZATORE STABILIZER LINK		
0596500	54668-CA000	STABILIZZATORE STABILIZER LINK		
0598062	54668-CA010	STABILIZZATORE STABILIZER LINK		
0606500	48521-CA025	SNODO ASSIALE AXIAL JOINT	1)	RHT 16x1,5
0786500	54500-CC40A	BRACCIO OSCILLANTE - INFERIORE TRACK CONTROL ARM LOWER		
0796500	54501-CC40A	BRACCIO OSCILLANTE - INFERIORE TRACK CONTROL ARM LOWER		

DESTRO
RIGHT



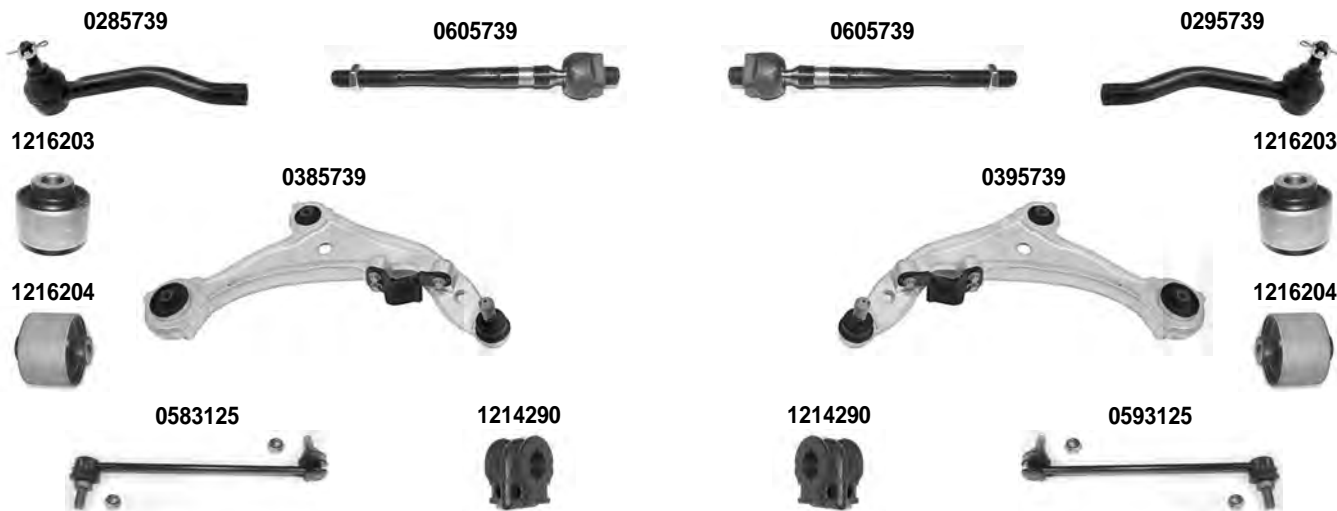
SINISTRO
LEFT

MURANO	Z51	11/2007 > 2014
--------	-----	----------------

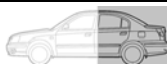
Asse Anteriore



Front Axle



Asse Posteriore



Rear Axle



OCAP	O.E.		
0285739	D8520-1AA0A	TESTA STERZO TIE ROD END	RHT 14x1,25
0295739	D8640-1AA0A	TESTA STERZO TIE ROD END	RHT 14x1,25
0385739	54500-1AT0B	BRACCIO OSCILLANTE - INFERIORE - ALLUMINIO TRACK CONTROL ARM - LOWER - ALUMINIUM	
0395739	54501-1AT0B	BRACCIO OSCILLANTE - INFERIORE - ALLUMINIO TRACK CONTROL ARM - LOWER - ALUMINIUM	
0583125	54618-JD00A	STABILIZZATORE STABILIZER LINK	
0585739	56261-1AA0A	STABILIZZATORE STABILIZER LINK	
0593125	54668-JD00A	STABILIZZATORE STABILIZER LINK	
0595739	56261-1AA0B	STABILIZZATORE STABILIZER LINK	
0605739	D8521-1AA0A	SNODO ASSIALE AXIAL JOINT	RHT 14x1,25
1214290	54613-JN20E	GOMMINO BARRA STABILIZZATRICE RUBBER RING STABILIZING BAR	DIAM. 24 mm.
1214291	56243-1AA0A	GOMMINO BARRA STABILIZZATRICE RUBBER RING STABILIZING BAR	DIAM. 19,5 mm.
1216203	54500-1AT0B *	SILENTBLOCK CENTRALE CENTRAL BUSHING	
1216204	54501-1AT0B *	SILENTBLOCK ESTREMO OUTER BUSHING	

DESTRO
RIGHT



SINISTRO
LEFT

NV200 - EVALIA

02/2010 >

Asse Anteriore



Front Axle



OCAP	O.E.		i	
0282665	48527-1U61A	TESTA STERZO TIE ROD END		RHT M12x1,25
0292665	48647-1U61A	TESTA STERZO TIE ROD END		RHT M12x1,25
0408071	54500-EW000 *	SNODO SOSPENSIONE INFERIORE BALL JOINT LOWER		
0504380	54618-AX600	STABILIZZATORE STABILIZER LINK		
0602665	48521-3U025	SNODO ASSIALE AXIAL JOINT		RHT M12x1,25
0782665	54500-EW000	BRACCIO OSCILLANTE - INFERIORE TRACK CONTROL ARM LOWER		
0792665	54501-EW000	BRACCIO OSCILLANTE - INFERIORE TRACK CONTROL ARM LOWER		

DESTRO
RIGHT



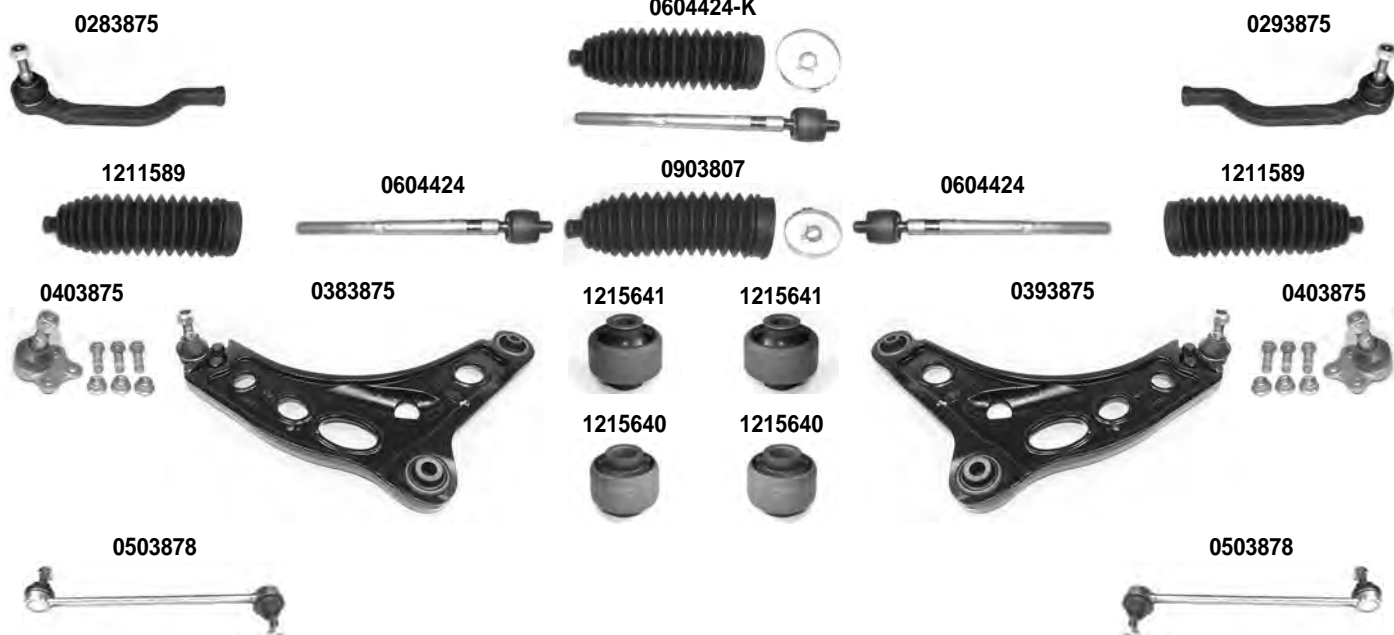
SINISTRO
LEFT

NV300

06/2016>

Asse Anteriore

Front Axle



OCAP	O.E.			
0283875	48520-00QAL	TESTA STERZO TIE ROD END		
0293875	48520-00QAK	TESTA STERZO TIE ROD END		
0383875	54500-00Q2B	BRACCIO OSCILLANTE - INFERIORE TRACK CONTROL ARM - LOWER		
0393875	54501-00Q1M	BRACCIO OSCILLANTE - INFERIORE TRACK CONTROL ARM - LOWER		
0403875	54500-00Q2B *	SNODO SOSPENSIONE - INFERIORE BALL JOINT - LOWER		
0503878	54616-00QAC	STABILIZZATORE STABILIZER LINK		
0604424	48520-00QAM *	SNODO ASSIALE AXIAL JOINT		
0903807	48203-00QAE	KIT CUFFIA STERZO STEERING GAITER KIT		
1211589	48203-00QAE *	CUFFIA STERZO STEERING GAITER		
1215640	4408958 **	SILENTBLOCK CENTRALE CENTRAL BUSHING		DIAM. 18/55 mm.
1215641	4408959 **	SILENTBLOCK ESTREMO OUTER BUSHING		DIAM. 15/58 mm.
0604424-K	48520-00QAM	KIT SNODO ASSIALE AXIAL JOINT KIT		

DESTRO
RIGHT

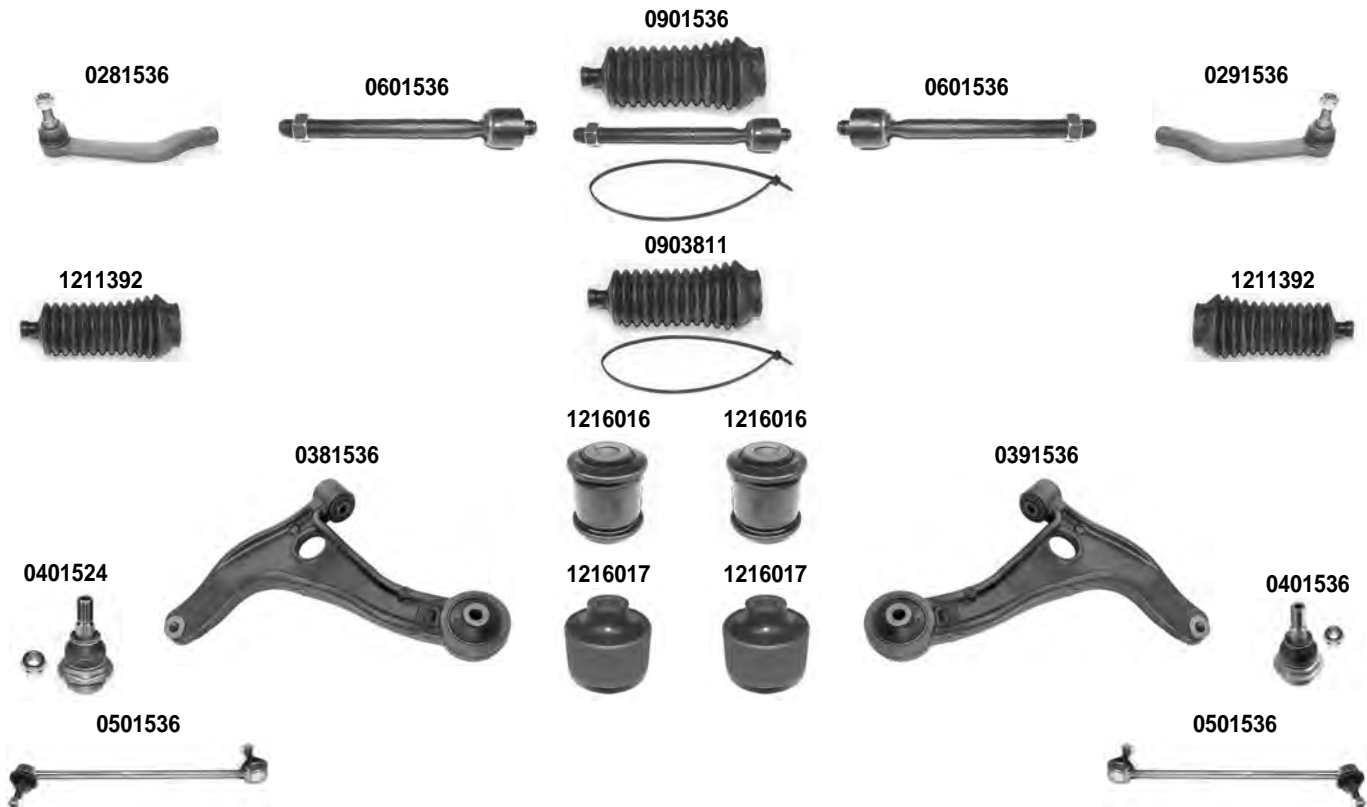
 SINISTRO
LEFT

NV400

11/2011 >

Asse Anteriore

Front Axle



OCAP	O.E.			
0281536	48520-00Q0E	TESTA STERZO TIE ROD END		RHT M18x1,5
0291536	48520-00Q0F	TESTA STERZO TIE ROD END		RHT M18x1,5
0381536	93197215	BRACCIO OSCILLANTE - INFERIORE TRACK CONTROL ARM - LOWER		
0391536	93197214	BRACCIO OSCILLANTE - INFERIORE TRACK CONTROL ARM - LOWER		
0401524	401608374R	SNODO SOSPENSIONE - INFERIORE BALL JOINT - LOWER		LHT M45x1,5
0401536	401611363R	SNODO SOSPENSIONE - INFERIORE BALL JOINT - LOWER		RHT M45x1,5
0501536	54616-00Q0E	STABILIZZATORE STABILIZER LINK		
0601536	48521-00Q0E *	SNODO ASSIALE AXIAL JOINT		RHT M18x1,5
0901536	48521-00Q0E	KIT SNODO ASSIALE KIT AXIAL JOINT		RHT M18x1,5
0903811	77014-70361	KIT CUFFIA STERZO STEERING GAITER KIT		
1211392	77014-70361 *	CUFFIA STERZO STEERING GAITER		
1216016	93197216 *	SILENTBLOCK CENTRALE CENTRAL BUSHING		
1216017	54500-00Q1E *	SILENTBLOCK ESTREMO OUTER BUSHING		

DESTRO
RIGHT

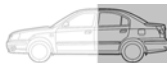


SINISTRO
LEFT

NV400

11/2011 >

Asse Posteriore



Rear Axle

0501496

0501496



0508881

0508881



i 3) ECCETTO RUOTE GEMELLATE - EXCLUDED TWIN WHEELS

4) CON RUOTE GEMELLATE - WITH TWIN WHEELS

OCAP	O.E.		i	
0501496	56261-00Q0B	STABILIZZATORE STABILIZER LINK	3)	L = 106 mm.
0508881	56261-00Q0B	STABILIZZATORE STABILIZER LINK	4)	L = 166 mm.

DESTRO
RIGHT



SINISTRO
LEFT

PATHFINDER

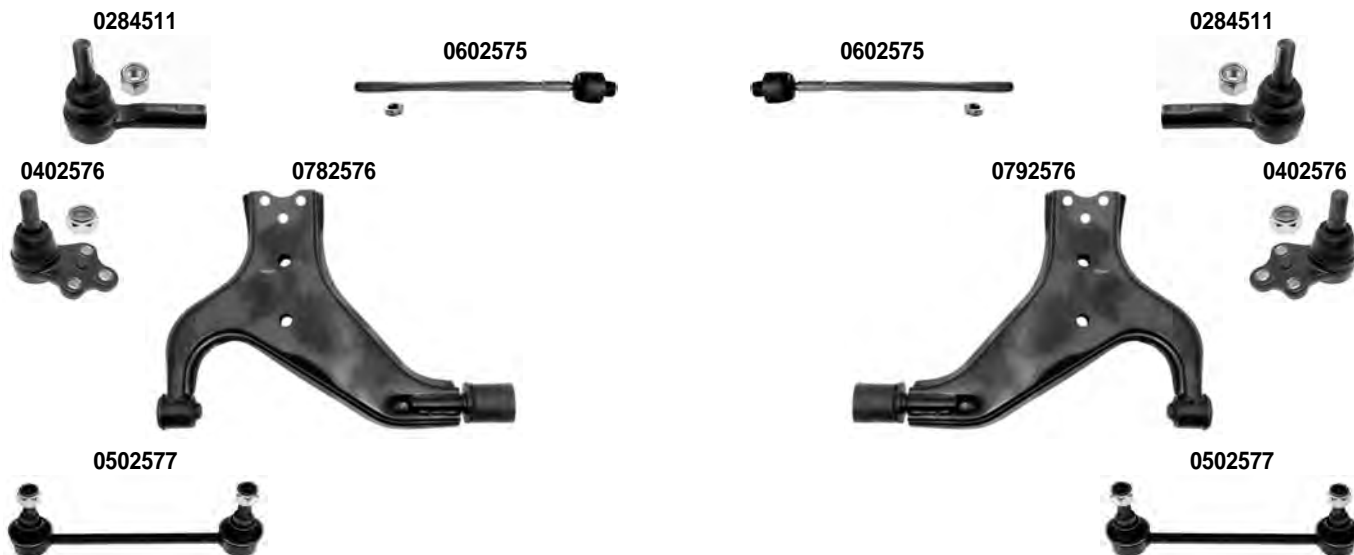
R50

09/1997 >

Asse Anteriore



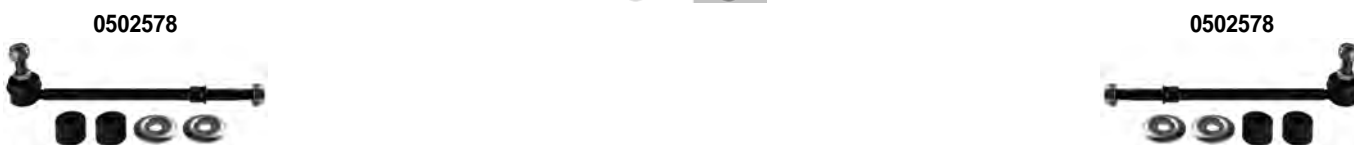
Front Axle



Asse Posteriore



Rear Axle



OCAP	O.E.			
0284511	48520-0P725	TESTA STERZO ESTERNA TIE ROD END - OUTER		
0402576	40160-0W025	SNODO SOSPENSIONE INFERIORE BALL JOINT LOWER		
0502577	54618-0W000	STABILIZZATORE STABILIZER LINK		
0502578	56260-0W001	STABILIZZATORE STABILIZER LINK		
0602575	48521-0W025	SNODO ASSIALE AXIAL JOINT		
0782576	54500-0W000	BRACCIO OSCILLANTE - INFERIORE TRACK CONTROL ARM LOWER		
0792576	54501-0W000	BRACCIO OSCILLANTE - INFERIORE TRACK CONTROL ARM LOWER		

DESTRO
RIGHT



SINISTRO
LEFT

**PATHFINDER
NAVARA**

R51
D40

01/2005 >
07/2005 >

Asse Anteriore



Front Axle



<p>i 1) 09/2006 > 3) SOLO PER MODELLI EXTRAEUROPA - ONLY EXTRA EUROPE MODELS</p>	<p>2) SOLO PER MODELLI EUROPEI - ONLY EUROPEAN MODELS</p>
--	---

OCAP	O.E.		i	
0284616	48640-EA01J	TESTA STERZO TIE ROD END	1)	M16x1,5
0294616	48520-EA01J	TESTA STERZO TIE ROD END	1)	M16x1,5
0404620	40110-EA000	SNODO SOSPENSIONE - SUPERIORE BALL JOINT - UPPER		
0604617	48521-EA000	SNODO ASSIALE AXIAL JOINT		M16x1,5
0785566	54524-EB70A	BRACCIO OSCILLANTE - SUPERIORE TRACK CONTROL ARM - UPPER	3)	
0785568	54524-EB30A	BRACCIO OSCILLANTE - SUPERIORE TRACK CONTROL ARM - UPPER	2)	
0795566	54525-EB70A	BRACCIO OSCILLANTE - SUPERIORE TRACK CONTROL ARM - UPPER	3)	
0795568	54525-EB30A	BRACCIO OSCILLANTE - SUPERIORE TRACK CONTROL ARM - UPPER	2)	

DESTRO
RIGHT



SINISTRO
LEFT

PATHFINDER
NAVARA

R51
D40

01/2005 >
07/2005 >

Asse Anteriore



Front Axle



Asse Posteriore



Rear Axle



i 4) SOLO PER - ONLY FOR : MOD. PATHFINDER

OCAP	O.E.		i	
0404621	54500-EB30C *	SNODO SOSPENSIONE - INFERIORE BALL JOINT - LOWER		
0584618	54618-EA010	STABILIZZATORE STABILIZER LINK		
0584619	56261-EA500	STABILIZZATORE STABILIZER LINK	4)	
0594618	54668-EA010	STABILIZZATORE STABILIZER LINK		
0594619	56261-EA510	STABILIZZATORE STABILIZER LINK	4)	
0785569	54500-EB31A	BRACCIO OSCILLANTE - INFERIORE TRACK CONTROL ARM - LOWER		
0795569	54501-EB31A	BRACCIO OSCILLANTE - INFERIORE TRACK CONTROL ARM - LOWER		

DESTRO
RIGHT



SINISTRO
LEFT

PATROL	W160-K160 W260 K260	11/1979 > 08/1988 08/1988 > 11/1995 05/1986 > 06/1990
--------	---------------------------	---

Asse Anteriore



Front Axle

0193544



0193835



0183544



0183835



i 1) > 1988	2) 1988 >
--------------------	-----------

OCAP	O.E.		i	
0183544	48570-J5100	TESTA STERZO TIE ROD END	1)	RHT M22x1,5
0183835	48570-G9501	TESTA STERZO TIE ROD END	2)	RHT M25x1,5
0193544	48580-J5100	TESTA STERZO TIE ROD END	1)	LHT M22x1,5
0193835	48520-G9502	TESTA STERZO - LHD TIE ROD END - LHD	2)	LHT M25x1,5

DESTRO
RIGHT



SINISTRO
LEFT

PATROL

GR I (Y60)

08/1987 > 06/1997

Asse Anteriore



Front Axle

0184143



0284144



0294144



0184143



0504145



0504145



Asse Posteriore



Rear Axle

0504145



0504145



i 1) > 06/1992	2) 07/1992 >
-----------------------	--------------

OCAP	O.E.		i	
0184143	48520-01J00	TESTA STERZO TIE ROD END	1)	RHT M22x1,5
0284144	48520-01J10	TESTA STERZO TIE ROD END	2)	RHT M30x1,5
0294144	48570-01J10	TESTA STERZO TIE ROD END	2)	RHT M30x1,5
0504145	56260-01J10	STABILIZZATORE STABILIZER LINK		

DESTRO
RIGHT



SINISTRO
LEFT

PATROL	GR II (Y61)	06/1997 >
--------	-------------	-----------

Asse Anteriore



Front Axle



Asse Posteriore



Rear Axle



i 1) > 2001	2) 2001 > 2008
--------------------	----------------

OCAP	O.E.		i	
0184146	48520-VB025	TESTA STERZO TIE ROD END		
0194146	48570-VB025	TESTA STERZO TIE ROD END		
0504145	56260-01J10	STABILIZZATORE STABILIZER LINK	1)	
0504147	54618-VB000	STABILIZZATORE STABILIZER LINK	1)	
0504148	54618-VC300	STABILIZZATORE STABILIZER LINK	2)	
0504551	56260-VB010	STABILIZZATORE STABILIZER LINK	1)	
0504552	56260-VC300	STABILIZZATORE STABILIZER LINK	2)	
0504553	56260-VC310	STABILIZZATORE STABILIZER LINK	2)	

DESTRO
RIGHT



SINISTRO
LEFT

PICK UP

720
D21 2WD

1979 > 1986
1985 > 1998

Asse Anteriore



Front Axle



i 1) SERIE 720 - SERIES 720			2) SERIE D21 - SERIES D21	
OCAP	O.E.		i	
0180163	48521-01W00	TESTA STERZO - INTERNA TIE ROD END - INNER	1)	RHT M18x1,5
0184174	48521-01G25	TESTA STERZO - INTERNA TIE ROD END - INNER	2)	RHT M18x1,5
0190162	48520-01W00	TESTA STERZO - ESTERNA TIE ROD END - OUTER	1)	LHT M18x1,5
0194175	48520-01G25	TESTA STERZO - ESTERNA TIE ROD END - OUTER	2)	LHT M18x1,5
0500164	48510-01W00	BARRA STERZO TIE ROD	1)	
0503258	48560-01G25	BARRA STERZO TIE ROD	2)	
0504174	48510-01G25	BARRA STERZO TIE ROD	2)	

DESTRO
RIGHT



SINISTRO
LEFT

PICK UP	720	1979 > 1986
	D21 2WD	1985 > 1998

Asse Anteriore



Front Axle

0403533



0400437



0480146



0784493



0490146



0794493



0403533



0400437



0504623



i 1) SERIE 720 - SERIES 720	2) SERIE D21 - SERIES D21
------------------------------------	---------------------------

OCAP	O.E.		i	
0400437	40160-01G50	SNODO SOSPENSIONE - INFERIORE SUSPENSION JOINT - LOWER	2)	
0403533	40110-B9500	SNODO SOSPENSIONE - SUPERIORE SUSPENSION JOINT - UPPER		
0480146	40160-48W25	SNODO SOSPENSIONE - INFERIORE SUSPENSION JOINT - LOWER	1)	
0490146	40161-48W25	SNODO SOSPENSIONE - INFERIORE SUSPENSION JOINT - LOWER	1)	
0504623	54618-01G00	STABILIZZATORE STABILIZER LINK	2)	
0784493	54502-01G90	BRACCIO OSCILLANTE - INFERIORE TRACK CONTROL ARM - LOWER	2)	
0794493	54503-01G90	BRACCIO OSCILLANTE - INFERIORE TRACK CONTROL ARM - LOWER	2)	

DESTRO
RIGHT

 SINISTRO
LEFT

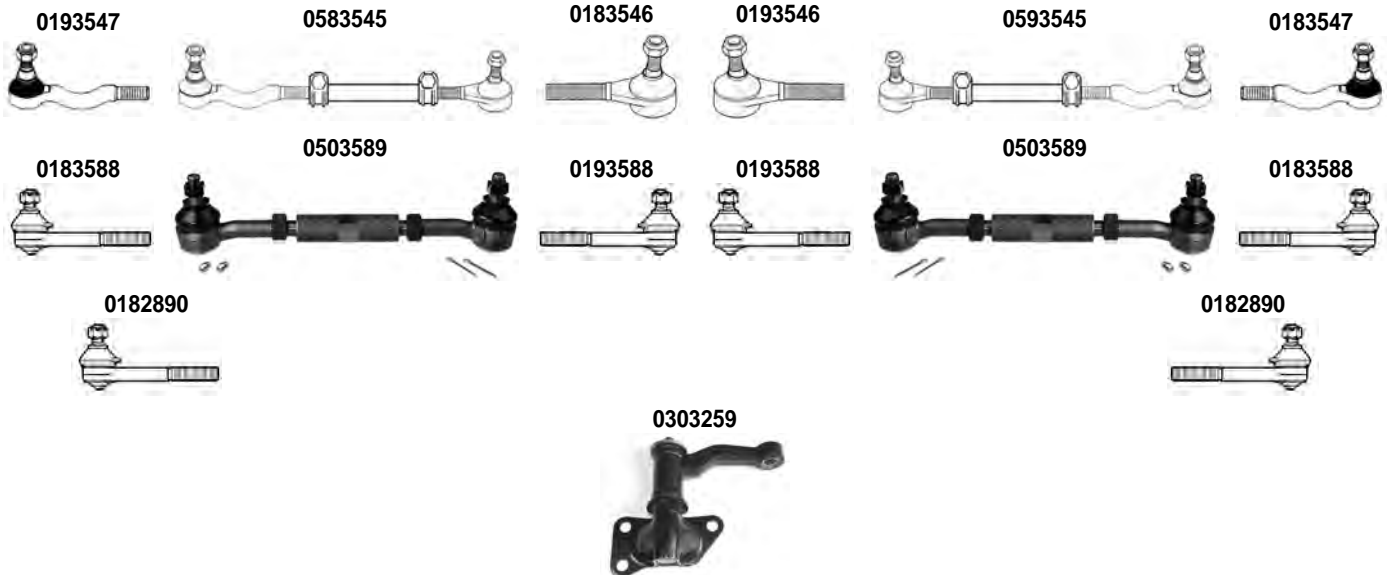
PICK UP

 720
D21 4WD

 1983 > 1986
1985 > 1998

Asse Anteriore

Front Axle



i 1) SERIE 720 - SERIES 720 3) 1992 >	2) SERIE D21 - SERIES D21
	4) SERIE D21 4WD - SERIES D21 4WD

OCAP	O.E.		i	
0182890	48520-61G25	TESTA STERZO - ESTERNA TIE ROD END - OUTER	3)	
0183546	48520-50W00	TESTA STERZO - INTERNA TIE ROD END - INNER	1)	RHT M16x1,5
0183547	48641-50W00	TESTA STERZO - ESTERNA TIE ROD END - OUTER	1)	RHT M16x1,5
0183588	48520-7F000	TESTA STERZO - ESTERNA TIE ROD END - OUTER	2)	RHT M16x1,5
0193546	48640-50W00	TESTA STERZO - ESTERNA TIE ROD END - INNER	1)	LHT M16x1,5
0193547	48521-50W00	TESTA STERZO - ESTERNA TIE ROD END - OUTER	1)	LHT M16x1,5
0193588	48570-31G25	TESTA STERZO - INTERNA TIE ROD END - INNER	2)	LHT M16x1,5
0303259	48530-01G25	BRACCIO STERZO IDLER ARM	4)	
0503589	48630-31G25	BARRA STERZO TIE ROD	2)	
0583545	48510-50W00	BARRA STERZO TIE ROD	1)	
0593545	48630-50W00	BARRA STERZO TIE ROD	1)	

DESTRO
RIGHT



SINISTRO
LEFT

PICK UP	720 D21 4WD	1983 > 1986 1985 > 1998
---------	----------------	----------------------------

Asse Anteriore



Front Axle

0403533



0480146



0403548



0403548



0490146



0403533



0504624



i	2) SERIE D21 - SERIES D21	5) SERIE 720-D21 - SERIES 720-D21
	6) > 1986 SERIE - SERIES 720	7) 1983 > SERIE - SERIES 720-D21

OCAP	O.E.		i	
0403533	40110-B9500	SNODO SOSPENSIONE - SUPERIORE SUSPENSION JOINT - UPPER	5)	
0403548	40160-0F000	SNODO SOSPENSIONE - INFERIORE SUSPENSION JOINT - LOWER	7)	
0480146	40160-48W25	SNODO SOSPENSIONE - INFERIORE SUSPENSION JOINT - LOWER	6)	
0490146	40161-48W25	SNODO SOSPENSIONE - INFERIORE SUSPENSION JOINT - LOWER	6)	
0504624	54618-02E00	STABILIZZATORE STABILIZER LINK	2)	

DESTRO
RIGHT

 SINISTRO
LEFT

PICK UP

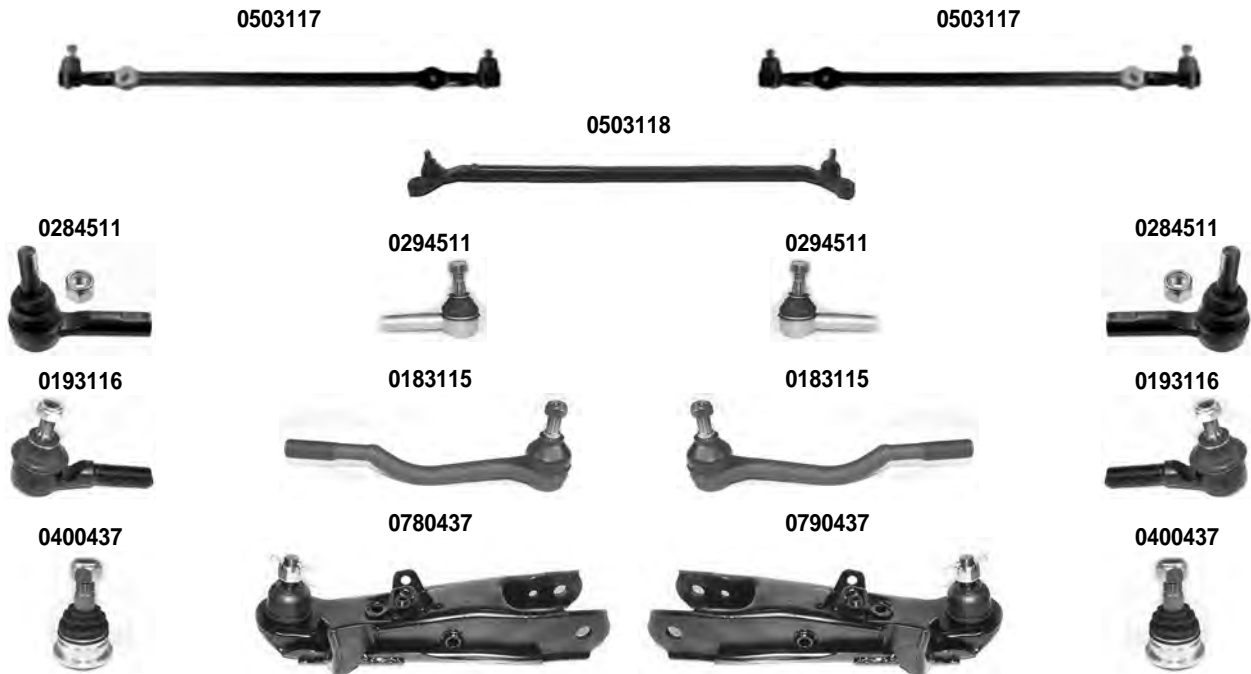
D22

01/1997 >

Asse Anteriore



Front Axle



i 1) MOD. 4WD		2) MOD. 2WD	
OCAP	O.E.		
0183115	48521-2S425	TESTA STERZO INTERNA <i>TIE ROD END - INNER</i>	RHT M18x1,5
0193116	48520-2S425	TESTA STERZO ESTERNA <i>TIE ROD END - OUTER</i>	LHT M18x1,5
0284511	48520-0P725	TESTA STERZO ESTERNA <i>TIE ROD END - OUTER</i>	1) RHT M14x1,5
0294511	48570-3S525	TESTA STERZO INTERNA <i>TIE ROD END - INNER</i>	1) LHT M14x1,5
0400437	40160-01G50	SNODO SOSPENSIONE - INFERIORE <i>SUSPENSION JOINT - LOWER</i>	2)
0503117	48560-3S125	BARRA STERZO <i>TIE ROD</i>	
0503118	48560-3S525	BARRA STERZO <i>TIE ROD</i>	1)
0780437	54502-2S485	BRACCIO OSCILLANTE - INFERIORE <i>TRACK CONTROL ARM - LOWER</i>	2)
0790437	54503-2S485	BRACCIO OSCILLANTE - INFERIORE <i>TRACK CONTROL ARM - LOWER</i>	2)

PICK UP

DESTRO
RIGHT



SINISTRO
LEFT

PICK UP

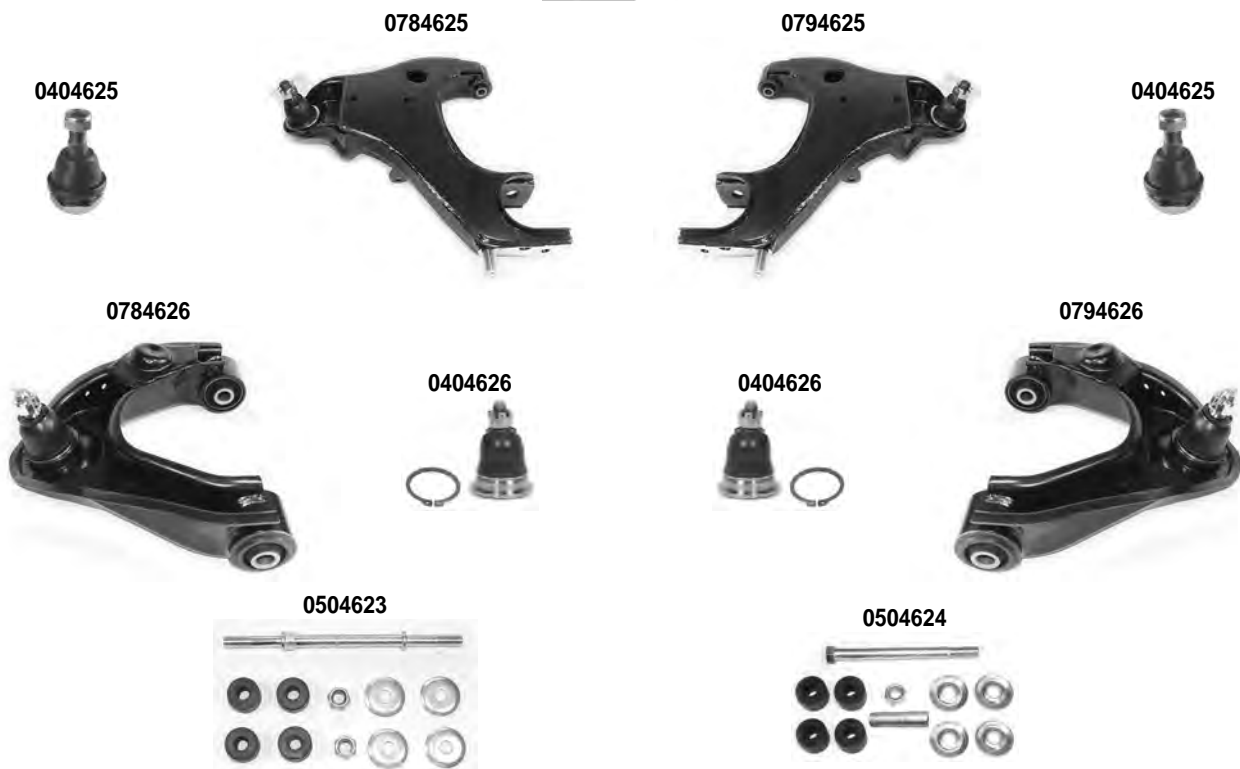
D22

01/1997 >

Asse Anteriore



Front Axle



i 1) MOD. 4WD	2) MOD. 2WD
----------------------	-------------

OCAP	O.E.		i	
0404625	40160-2S601	SNODO SOSPENSIONE - INFERIORE SUSPENSION JOINT - LOWER	1)	
0404626	40110-2S485	SNODO SOSPENSIONE - SUPERIORE SUSPENSION JOINT - UPPER		
0504623	54618-01G00	STABILIZZATORE STABILIZER LINK	2)	
0504624	54618-02E00	STABILIZZATORE STABILIZER LINK	1)	
0784625	54500-2S601	BRACCIO OSCILLANTE - INFERIORE TRACK CONTROL ARM - LOWER	1)	
0784626	54524-2S400	BRACCIO OSCILLANTE - SUPERIORE TRACK CONTROL ARM - UPPER		
0794625	54501-2S601	BRACCIO OSCILLANTE - INFERIORE TRACK CONTROL ARM - LOWER	1)	
0794626	54525-2S400	BRACCIO OSCILLANTE - SUPERIORE TRACK CONTROL ARM - UPPER		

DESTRO
RIGHT

 SINISTRO
LEFT

PIXO	UA0	06/2009 >
------	-----	-----------

Asse Anteriore



Front Axle



OCAP	O.E.		
0281846	48520-4A00B	TESTA STERZO <i>TIE ROD END</i>	RHT M12x1,25
0402688	54530-4A00D *	SNODO SOSPENSIONE - INFERIORE <i>SUSPENSION JOINT - LOWER</i>	
0502688	54616-4A00B	STABILIZZATORE <i>STABILIZER LINK</i>	
0602688	48510-4A00C	SNODO ASSIALE <i>AXIAL JOINT</i>	RHT M12x1,25
0782688	54530-4A00D	BRACCIO OSCILLANTE - INFERIORE <i>TRACK CONTROL ARM - LOWER</i>	
0792688	54529-4A00D	BRACCIO OSCILLANTE - INFERIORE <i>TRACK CONTROL ARM - LOWER</i>	

DESTRO
RIGHT



SINISTRO
LEFT

PLATINA

2001 >

Asse Anteriore

Front Axle



i 1) SERVOSTERZO - POWER STEERING 2) STERZO MANUALE - MANUAL STEERING

OCAP	O.E.		i	
0281524	48520-00QAP	TESTA STERZO TIE ROD END		RHT M14x1,5
0291524	48520-00QAN	TESTA STERZO TIE ROD END		RHT M14x1,5
0400928	54500-00QAH *	SNODO SOSPENSIONE BALL JOINT		
0602377	48521-00QAG	SNODO ASSIALE AXIAL JOINT	1)	
0604203	48521-00QAA	SNODO ASSIALE AXIAL JOINT	2)	
0783209	54500-00QAH	BRACCIO OSCILLANTE TRACK CONTROL ARM		
0793209	54501-00QAH	BRACCIO OSCILLANTE TRACK CONTROL ARM		
1215313	54560-00QAB	SILENTBLOCK BUSHING		
0400928-K	54500-00QAH **	SNODO SOSPENSIONE BALL JOINT		

DESTRO
RIGHT



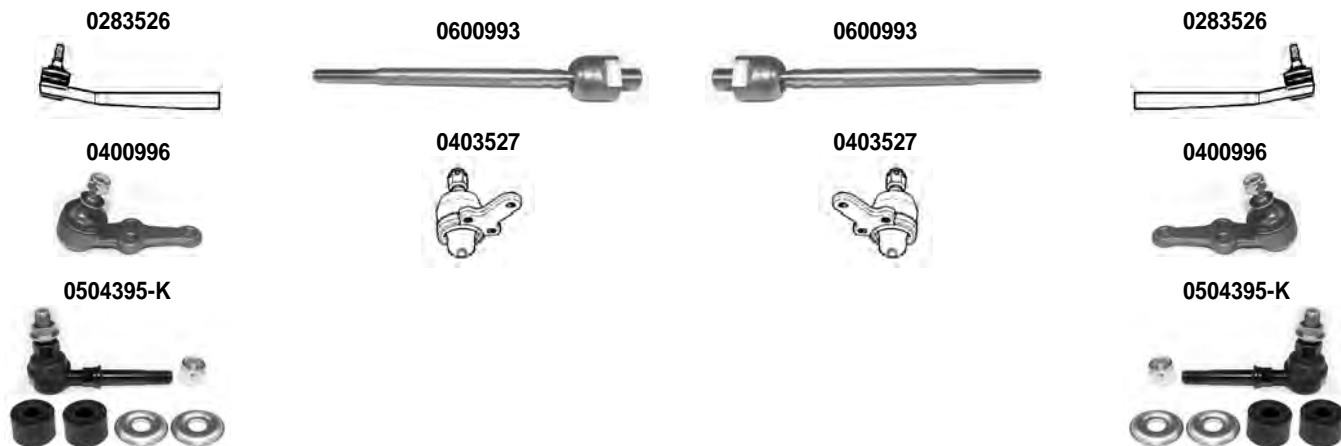
SINISTRO
LEFT

PRAIRIE PRAIRIE	M10	05/1983 > 02/1988
	M11	03/1988 > 09/1994

Asse Anteriore



Front Axle



i 1) SOLO PER - ONLY FOR: M12	2) SOLO PER - ONLY FOR: M11
--------------------------------------	-----------------------------

OCAP	O.E.		i	
0283526	48520-53E25	TESTA STERZO TIE ROD END	1)	RHT M12x1,25
0400996	40160-01A25	SNODO SOSPENSIONE INFERIORE SUSPENSION JOINT - LOWER	2)	
0403527	40160-01E00	SNODO SOSPENSIONE INFERIORE SUSPENSION JOINT - LOWER	1)	
0600993	48521-D0100	SNODO ASSIALE AXIAL JOINT	1)	RHT M12x1,25
0504395-K	54618-50Y00	STABILIZZATORE STABILIZER LINK	1)	

DESTRO
RIGHT



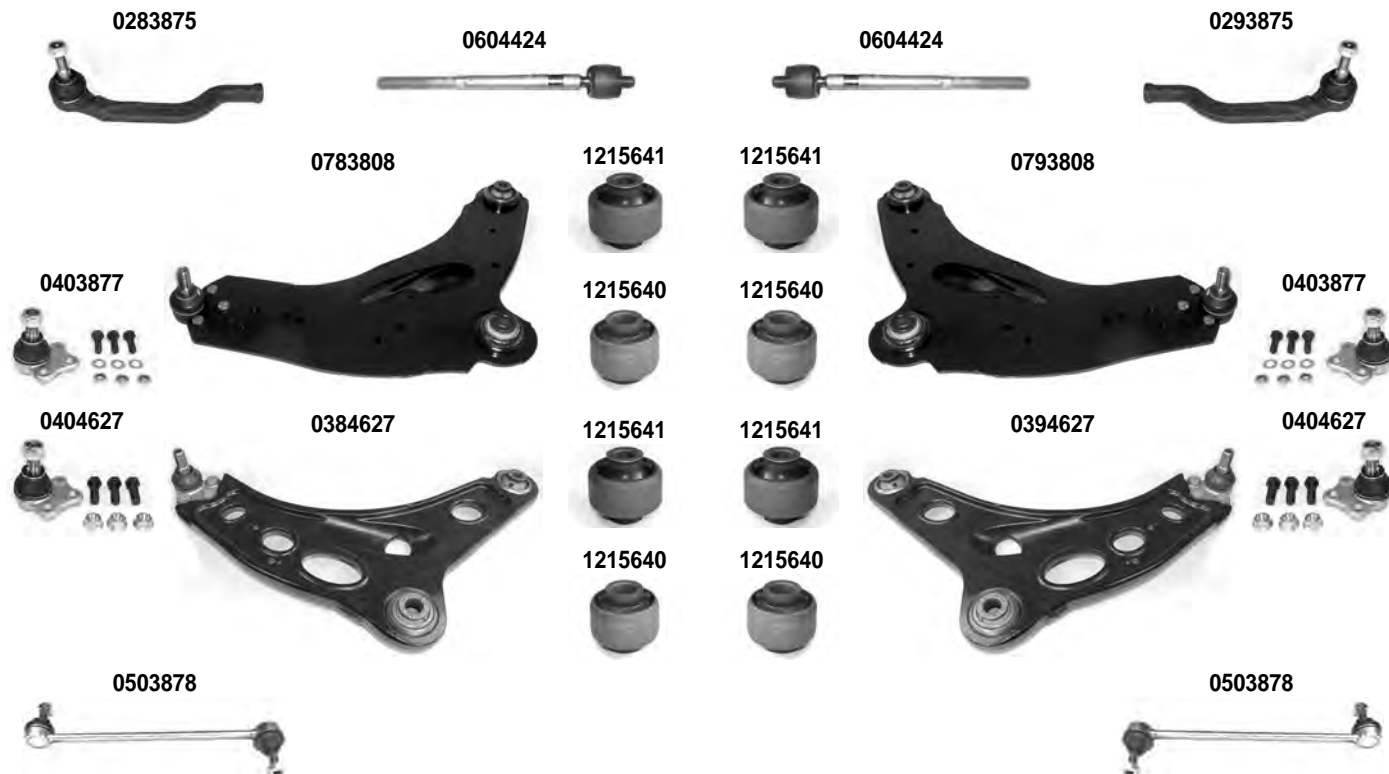
SINISTRO
LEFT

PRIMASTAR

2002 >

Asse Anteriore

Front Axle



i 1) > 10/2006 2) 11/2006 >

OCAP	O.E.		i	
0283875	48520-00QAL	TESTA STERZO TIE ROD END		RHT 14x1,5
0293875	48520-00QAK	TESTA STERZO TIE ROD END		LHT 14x1,5
0384627	54502-00Q0C	BRACCIO OSCILLANTE - INFERIORE TRACK CONTROL ARM - LOWER	2)	
0394627	54503-00Q0C	BRACCIO OSCILLANTE - INFERIORE TRACK CONTROL ARM - LOWER	2)	
0403877	54502-00QAA *	SNODO SOSPENSIONE - CON KIT SUSPENSION JOINT - WITH KIT	1)	
0404627	40160-00Q0A	SNODO SOSPENSIONE - INFERIORE BALL JOINT - LOWER	2)	
0503878	54616-00Q0A	STABILIZZATORE STABILIZER LINK		
0604424	48520-00QAM	SNODO ASSIALE AXIAL JOINT		RHT 14x1,5
0783808	54502-00QAA	BRACCIO OSCILLANTE - INFERIORE TRACK CONTROL ARM - LOWER	1)	
0793808	54503-00QAA	BRACCIO OSCILLANTE - INFERIORE TRACK CONTROL ARM - LOWER	1)	
1215640	4408958 **	SILENTBLOCK CENTRALE CENTRAL BUSHING		DIAM. 18/55 mm.
1215641	4408959 **	SILENTBLOCK ESTREMO OUTER BUSHING		DIAM. 15/58 mm.

DESTRO
RIGHT



SINISTRO
LEFT

PRIMERA

P 10



1990 > 1996

Asse Anteriore



Front Axle



OCAP	O.E.		
0283550	48520-01E26	TESTA STERZO TIE ROD END	RHT M12X1,25
0403552	40160-70J00	SNODO SOSPENSIONE INFERIORE SUSPENSION JOINT - LOWER	
0602951	48521-72E06	SNODO ASSIALE AXIAL JOINT	RHT M14x1,5
0781818	54524-2F010	BRACCIO OSCILLANTE - SUPERIORE UPPER CONTROL ARM	
0783549	54500-86J00	BRACCIO OSCILLANTE - INFERIORE LOWER TRACK CONTROL ARM	
0791818	54525-2F010	BRACCIO OSCILLANTE - SUPERIORE UPPER CONTROL ARM	
0793549	54501-86J00	BRACCIO OSCILLANTE - INFERIORE LOWER TRACK CONTROL ARM	

DESTRO
RIGHT



SINISTRO
LEFT

PRIMERA	P 10	1990 > 1996
----------------	------	-------------

Asse Anteriore



Front Axle

0504395-K



0504387-K



0504395-K



0504387-K



Asse Posteriore



Rear Axle

0503551



0503551



i 1) SERIE P10 1.6 - SERIES P10 1.6	2) SERIE P10 2.0 - SERIES P10 2.0
--	-----------------------------------

OCAP	O.E.		i	
0503551	56261-86J25	STABILIZZATORE STABILIZER LINK		
0504387-K	54618-90J11	KIT STABILIZZATORE STABILIZER LINK	2)	L = 165 mm.
0504395-K	54618-50Y00	STABILIZZATORE STABILIZER LINK	1)	L = 85 mm.

DESTRO
RIGHT

 SINISTRO
LEFT

PRIMERA

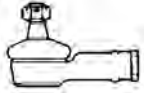
W 10

07/1990 > 03/1998

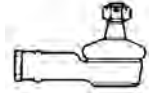
Asse Anteriore



Front Axle

0283550

0602889




0602889

0283550

0403527

0403527

0504395-K

0504395-K


OCAP	O.E.			
0283550	48520-01E26	TESTA STERZO TIE ROD END		RHT M12x1,25
0403527	40160-01E00	SNODO SOSPENSIONE INFERIORE SUSPENSION JOINT - LOWER		
0602889	48521-50Y00	SNODO ASSIALE AXIAL JOINT		RHT M12x1,25
0504395-K	54618-50Y00	STABILIZZATORE STABILIZER LINK		L = 85 mm.

DESTRO
RIGHT



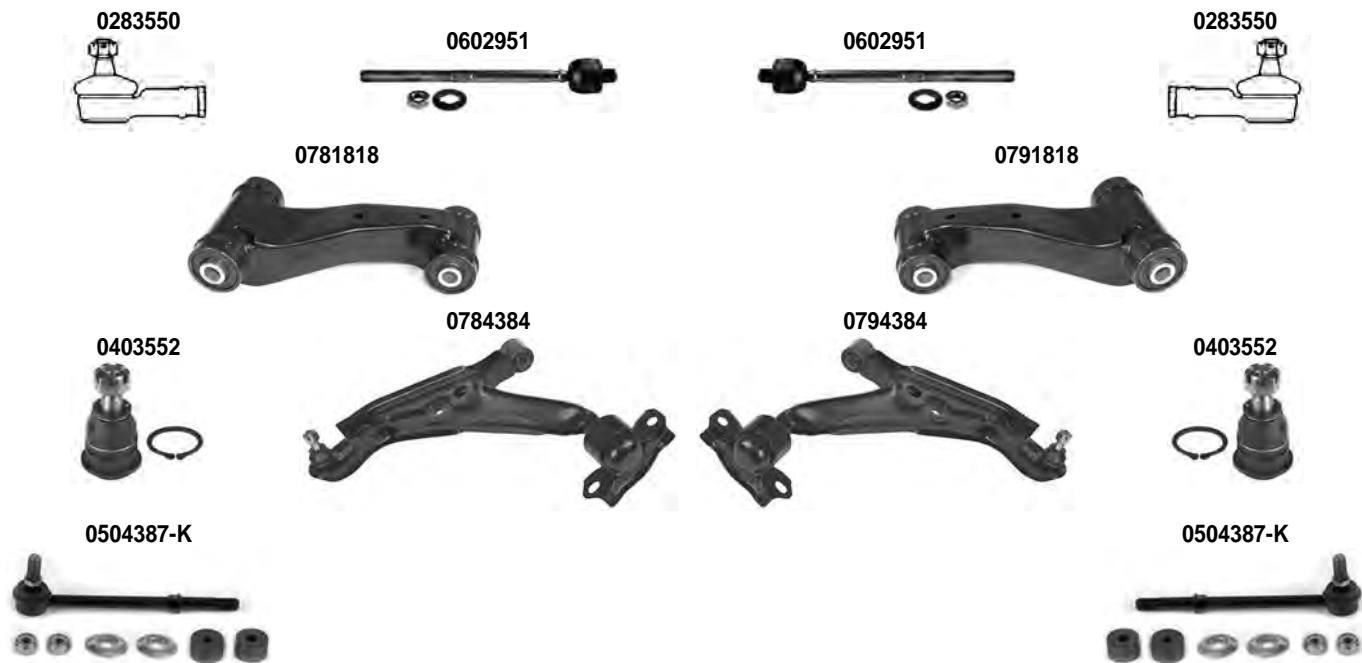
SINISTRO
LEFT

PRIMERA	P 11 W11	06/1996 > 04/1998 > 12/2001
----------------	-------------	--------------------------------

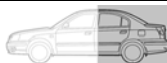
Asse Anteriore



Front Axle



Asse Posteriore



Rear Axle



OCAP	O.E.			
0283550	48520-01E26	TESTA STERZO TIE ROD END		RHT M12X1,25
0403552	40160-70J00	SNODO SOSPENSIONE INFERIORE SUSPENSION JOINT - LOWER		
0504388	45261-90J11	STABILIZZATORE STABILIZER LINK		
0602951	48521-72E06	SNODO ASSIALE AXIAL JOINT		RHT M14x1,5
0781818	54524-2F010	BRACCIO OSCILLANTE - SUPERIORE UPPER CONTROL ARM		
0784384	54500-2F500	BRACCIO OSCILLANTE - INFERIORE LOWER TRACK CONTROL ARM		
0791818	54525-2F010	BRACCIO OSCILLANTE - SUPERIORE UPPER CONTROL ARM		
0794384	54501-2F500	BRACCIO OSCILLANTE - INFERIORE LOWER TRACK CONTROL ARM		
0504387-K	54618-90J11	KIT STABILIZZATORE STABILIZER LINK KIT		L = 165 mm.

DESTRO
RIGHT

 SINISTRO
LEFT

PRIMERA

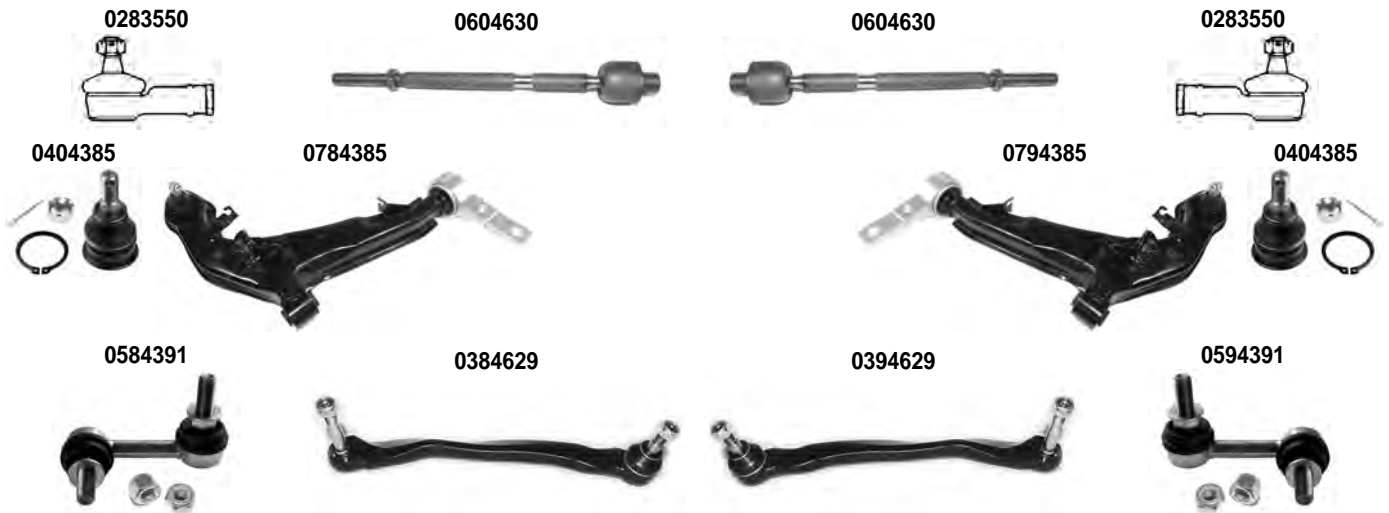
 P 12
W 12

 2002 >
2002 >

Asse Anteriore



Front Axle



Asse Posteriore



Rear Axle



1) > 10/2002		2) 11/2002 >	
OCAP	O.E.		
0283550	48520-01E26	TESTA STERZO TIE ROD END	RHT M12X1,25
0384629	54524-AV600	BRACCIO OSCILLANTE - SUPERIORE TRACK CONTROL ARM - UPPER	
0394629	54525-AV600	BRACCIO OSCILLANTE - SUPERIORE TRACK CONTROL ARM - UPPER	
0404385	54500-AV600 *	SNODO SOSPENSIONE INFERIORE SUSPENSION JOINT - LOWER	
0504631	56261-0E000	STABILIZZATORE STABILIZER LINK	1)
0504632	56261-AV610	STABILIZZATORE STABILIZER LINK	2)
0584391	54618-AU000	STABILIZZATORE STABILIZER LINK	
0594391	54668-AU000	STABILIZZATORE STABILIZER LINK	
0604630	49001-BA210 *	SNODO ASSIALE AXIAL JOINT	RHT M12X1,25
0784385	54500-AV600	BRACCIO OSCILLANTE - INFERIORE TRACK CONTROL ARM - LOWER	
0794385	54501-AV600	BRACCIO OSCILLANTE - INFERIORE TRACK CONTROL ARM - LOWER	

PULSAR - LANGLEY - LIBERTA

DESTRO
RIGHT



SINISTRO
LEFT

PULSAR - LANGLEY - LIBERTA

N10 - N11

1978 > 1982

Asse Anteriore

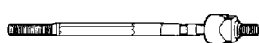


Front Axle

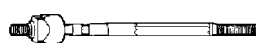
0280360



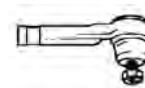
0603577



0603577



0280360



OCAP	O.E.			
0280360	48520-M3025	TESTA STERZO TIE ROD END		RHT M12x1,25
0603577	48521-M7000	SNODO ASSIALE AXIAL JOINT		RHT M12x1,25

DESTRO
RIGHT

 SINISTRO
LEFT

PULSAR - LANGLEY - LIBERTA

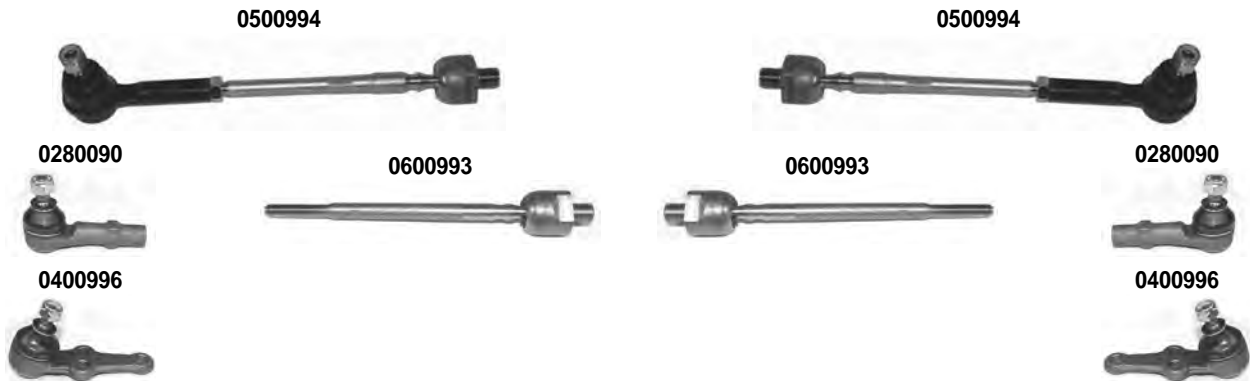
N12



1982 > 1986

Asse Anteriore



Front Axle



OCAP	O.E.		i	
0280090	48520-D0126	TESTA STERZO TIE ROD END		RHT M12x1,25
0400996	40160-01A25	SNODO SOSPENSIONE INFERIORE SUSPENSION JOINT - LOWER		
0500994	48510-D0125	BARRA STERZO TIE ROD		
0600993	48521-D0100	SNODO ASSIALE AXIAL JOINT		RHT M12x1,25

DESTRO
RIGHT



SINISTRO
LEFT

PULSAR - LANGLEY - LIBERTA

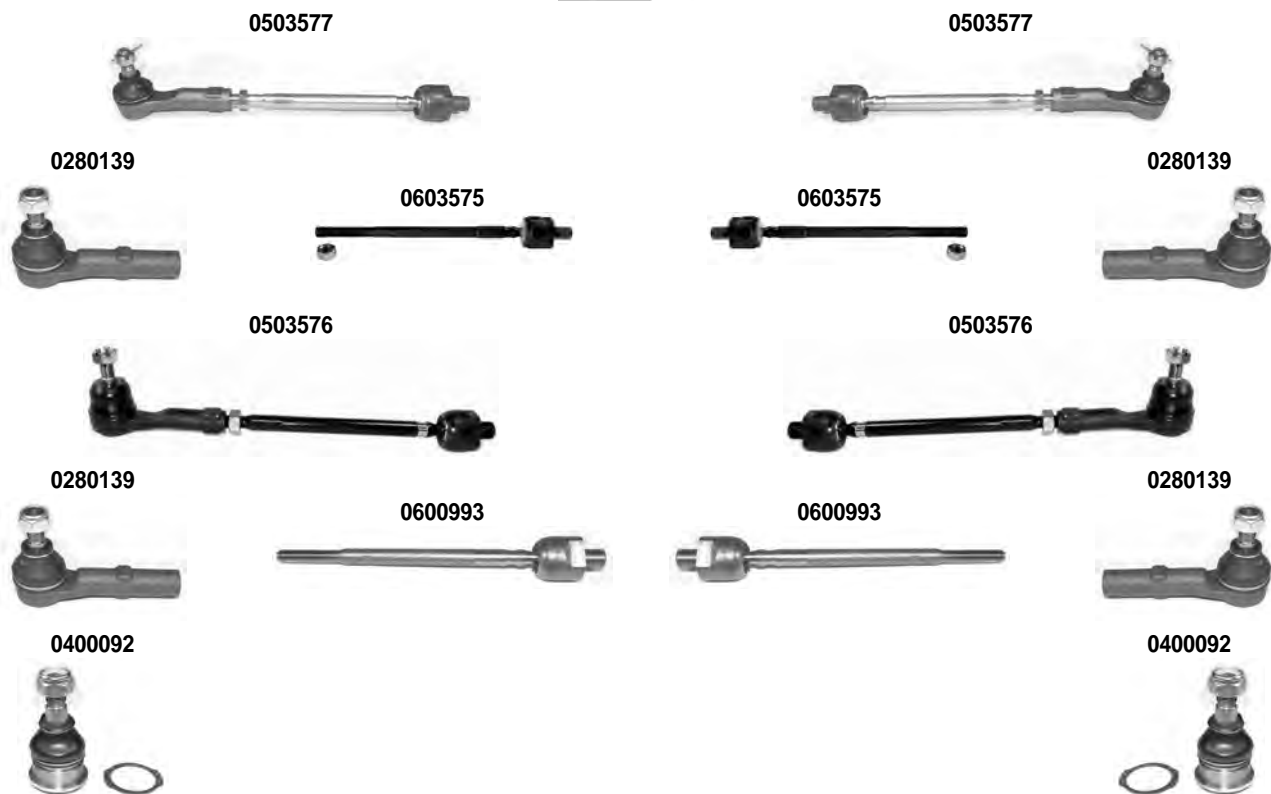
N 13 - KN 13

1986 >

Asse Anteriore



Front Axle



i 1) SERVOSTERZO - POWER STEERING	2) STERZO MANUALE - MANUAL STEERING
--	-------------------------------------

OCAP	O.E.		i	
0280139	48520-50A26	TESTA STERZO TIE ROD END		RHT M12x1,25
0400092	40160-50A00	SNODO SOSPENSIONE INFERIORE SUSPENSION JOINT - LOWER		
0503576	48510-53A25	BARRA STERZO TIE ROD	2)	
0503577	48510-50A26	BARRA STERZO TIE ROD	1)	
0600993	48521-D0100	SNODO ASSIALE AXIAL JOINT		RHT M12x1,25
0603575	48521-35A00	SNODO ASSIALE AXIAL JOINT		RHT M12x1,25

DESTRO
RIGHT



SINISTRO
LEFT

QASHQAI

J10

02/2007 >

Asse Anteriore



Front Axle



OCAP	O.E.			
0283123	48527-JD01A	TESTA STERZO TIE ROD END		
0293123	48647-JD01A	TESTA STERZO TIE ROD END		
0403124	40160-9W200	SNODO SOSPENSIONE INFERIORE SUSPENSION JOINT - LOWER		
0583125	54618-JD00A	STABILIZZATORE STABILIZER LINK		
0593125	54668-JD00A	STABILIZZATORE STABILIZER LINK		
0603271	D8521-JD00B	SNODO ASSIALE AXIAL JOINT		
0783124	54500-BR30A	BRACCIO OSCILLANTE - INFERIORE TRACK CONTROL ARM - LOWER		
0793124	54501-BR30A	BRACCIO OSCILLANTE - INFERIORE TRACK CONTROL ARM - LOWER		
1215977	54500-BR30A *	SILENTBLOCK - CENTRALE CENTRAL BUSHING		
1215978	54570-BB00A	SILENTBLOCK - ESTREMO OUTER BUSHING		

QASHQAI

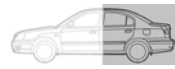
DESTRO
RIGHT



SINISTRO
LEFT

QASHQAI	J10	02/2007 >
----------------	-----	-----------

Asse Posteriore



Rear Axle



OCAP	O.E.			
0385788	55120-JD00B	BRACCIO OSCILLANTE - SUPERIORE - ALLUMINIO TRACK CONTROL ARM - UPPER - ALUMINIUM		
0395788	55121-JD00B	BRACCIO OSCILLANTE - SUPERIORE - ALLUMINIO TRACK CONTROL ARM - UPPER - ALUMINIUM		
0584633	55618-JD00A	STABILIZZATORE STABILIZER LINK		
0594633	55619-JD00A	STABILIZZATORE STABILIZER LINK		
0785791	55110-JD000	BRACCIO OSCILLANTE - INFERIORE TRACK CONTROL ARM - LOWER		
0795791	55111-JD00A	BRACCIO OSCILLANTE - INFERIORE TRACK CONTROL ARM - LOWER		
1216287	55120-JD00B *	SILENTBLOCK BUSHING		
1216288	55110-JD000 *	SILENTBLOCK BUSHING		

DESTRO
RIGHT



SINISTRO
LEFT

QASHQAI II

J11

11/2013 >

Asse Anteriore



Front Axle



OCAP	O.E.			
0285783	D8520-4EA0A	TESTA STERZO TIE ROD END		RHT M14X1,5
0295783	D8640-4EA0A	TESTA STERZO TIE ROD END		RHT M14X1,5
0403124	40160-9W200	SNODO SOSPENSIONE INFERIORE SUSPENSION JOINT - LOWER		
0508071	54618-CY00A	STABILIZZATORE STABILIZER LINK		
0605783	48001-4EH0A *	SNODO ASSIALE AXIAL JOINT		RHT M14X1,5
0785783	54500-4EA0B	BRACCIO OSCILLANTE - INFERIORE TRACK CONTROL ARM - LOWER		
0795783	54501-4EA0B	BRACCIO OSCILLANTE - INFERIORE TRACK CONTROL ARM - LOWER		
1216285	54500-4EA0B *	SILENTBLOCK - CENTRALE CENTRAL BUSHING		
1216286	54501-4EA0B *	SILENTBLOCK - ESTREMO OUTER BUSHING		

DESTRO
RIGHT



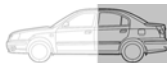
SINISTRO
LEFT

QASHQAI II

J11

11/2013 >

Asse Posteriore



Rear Axle

1216287

0385788

1216287

1216287

0395788

1216287

1216288

0785791

1216288

1216288

0795791

1216288

0584633

0594633

OCAP	O.E.			
0385788	55120-JD00B	BRACCIO OSCILLANTE - SUPERIORE - ALLUMINIO TRACK CONTROL ARM - UPPER - ALUMINIUM		
0395788	55121-JD00B	BRACCIO OSCILLANTE - SUPERIORE - ALLUMINIO TRACK CONTROL ARM - UPPER - ALUMINIUM		
0584633	55618-JD00A	STABILIZZATORE STABILIZER LINK		
0594633	55619-JD00A	STABILIZZATORE STABILIZER LINK		
0785791	55110-JD000	BRACCIO OSCILLANTE - INFERIORE TRACK CONTROL ARM - LOWER		
0795791	55111-JD00A	BRACCIO OSCILLANTE - INFERIORE TRACK CONTROL ARM - LOWER		
1216287	55120-JD00B *	SILENTBLOCK BUSHING		
1216288	55110-JD000 *	SILENTBLOCK BUSHING		

DESTRO
RIGHT

 SINISTRO
LEFT

**SERENA
VANETTE CARGO**

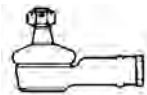
 C 23 M
HC 23

 1992 >
1995 >

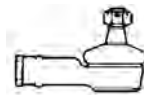
Asse Anteriore



Front Axle

0283550

0604639

0604639

0283550

0784640

0794640

0484179

0494179

0581599

0591599


OCAP	O.E.			
0283550	48520-01E26	TESTA STERZO TIE ROD END		RHT M12X1,25
0484179	40160-9C500	SNODO SOSPENSIONE INFERIORE SUSPENSION JOINT - LOWER		
0494179	40161-9C500	SNODO SOSPENSIONE INFERIORE SUSPENSION JOINT - LOWER		
0581599	54618-9C002	STABILIZZATORE STABILIZER LINK		
0591599	54668-9C000	STABILIZZATORE STABILIZER LINK		
0604639	48520-9C025 *	SNODO ASSIALE AXIAL JOINT		RHT M12X1,25
0784640	54500-7C350	BRACCIO OSCILLANTE - INFERIORE TRACK CONTROL ARM - LOWER		
0794640	54501-7C350	BRACCIO OSCILLANTE - INFERIORE TRACK CONTROL ARM - LOWER		

DESTRO
RIGHT



SINISTRO
LEFT

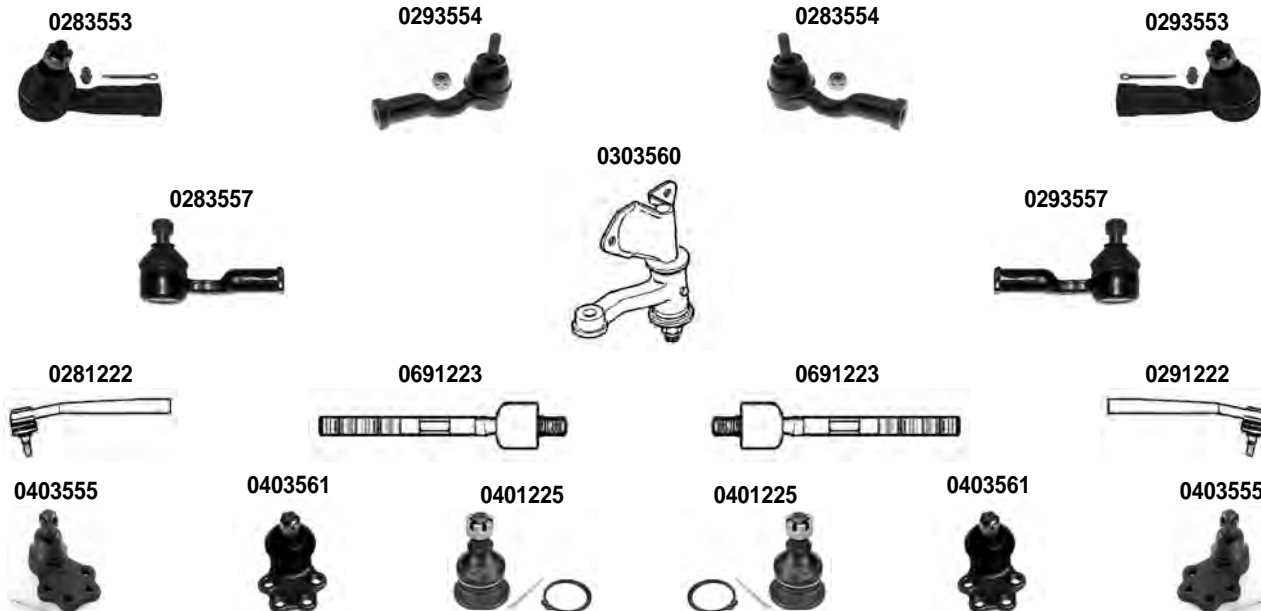
SILVIA - GAZELLE
SILVIA - GAZELLE

Z18S > Z18E
Z18P - Z20E - Z18ET

1979 > 1981
1981 >

Asse Anteriore

Front Axle



i 1) > 1981
3) 1983 > 2) 1981 > 1983

OCAP	O.E.		i	
0281222	48520-W1025	TESTA STERZO TIE ROD END	3)	RHT M14x1,5
0283553	48520-W5025	TESTA STERZO ESTERNA TIE ROD END - OUTER	1)	RHT M14x1,5
0283554	48641-W5025	TESTA STERZO INTERNA TIE ROD END - INNER	1)	RHT M14x1,5
0283557	48520-N8425	TESTA STERZO ESTERNA TIE ROD END - OUTER	2)	RHT M14x1,5
0291222	48640-W1025	TESTA STERZO TIE ROD END	3)	RHT M14x1,5
0293553	48640-W5025	TESTA STERZO ESTERNA TIE ROD END - OUTER	1)	LHT M14x1,5
0293554	48521-W5025	TESTA STERZO INTERNA TIE ROD END - INNER	1)	LHT M14x1,5
0293557	48640-N8425	TESTA STERZO ESTERNA TIE ROD END - OUTER	2)	LHT M14x1,5
0303560	48530-N8500	BRACCIO STERZO IDLER ARM	2)	
0401225	40160-W2200	SNODO SOSPENSIONE INFERIORE SUPSPENSION JOINT LOWER	3)	
0403555	40160-W5000	SNODO SOSPENSIONE INFERIORE SUSPENSION JOINT - LOWER	1)	
0403561	40160-N8400	SNODO SOSPENSIONE INFERIORE SUSPENSION JOINT - LOWER	2)	
0691223	48521-01F00	SNODO ASSIALE AXIAL JOINT	3)	RHT M14x1,5

DESTRO
RIGHT



SINISTRO
LEFT

SUNNY
SUNNY TRUCK

B 210 - B 211
B 120 C- B 121 - B 122

1973 > 1977
1975 >

Asse Anteriore



Front Axle



i 1) SOLO - ONLY - B 210 - B 211
3) > 1975

2) SOLO - ONLY - B 120 C- B 121 - B 122
4) 1975 >

OCAP	O.E.		i	
0283553	48520-W5025	TESTA STERZO ESTERNA TIE ROD END - OUTER		RHT M14x1,5
0283554	48641-W5025	TESTA STERZO INTERNA TIE ROD END - INNER		RHT M14x1,5
0293553	48640-W5025	TESTA STERZO ESTERNA TIE ROD END - OUTER		LHT M14x1,5
0293554	48521-W5025	TESTA STERZO INTERNA TIE ROD END - INNER		LHT M14x1,5
0303568	48530-H6100	BRACCIO STERZO - L H D IDLER ARM - L H D	1)	
0303569	48530-H5000	BRACCIO STERZO - R H D IDLER ARM - R H D	1)	
0303579	48530-H1600	BRACCIO STERZO - L H D IDLER ARM - L H D	2)	
0403573	40160-H1000	SNODO SOSPENSIONE INFERIORE SUSPENSION JOINT - LOWER	3)	
0403574	40160-H7400	SNODO SOSPENSIONE INFERIORE SUSPENSION JOINT - LOWER	4)	
0503571	48560-H5025	BARRA STERZO - R H D TIE ROD - R H D	1)	
0583572	48510-H5025	BARRA STERZO TIE ROD		
0593572	48630-H5025	BARRA STERZO TIE ROD		

DESTRO
RIGHT



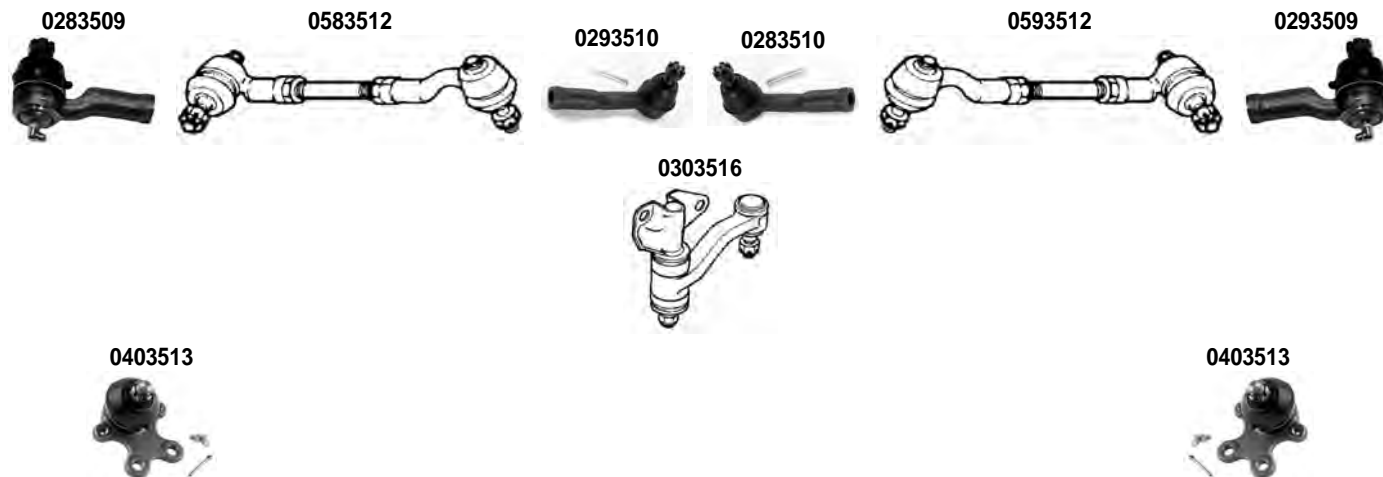
SINISTRO
LEFT

SUNNY	PB110-PB210-GB210-GB211-LB210	1971 > 1977
--------------	-------------------------------	-------------

Asse Anteriore



Front Axle



OCAP	O.E.			
0283509	48520-U0100	TESTA STERZO ESTERNA <i>TIE ROD END - OUTER</i>		RHT M14x1,5
0283510	48641-U0100	TESTA STERZO INTERNA <i>TIE ROD END - INNER</i>		RHT M14x1,5
0293509	48640-U0100	TESTA STERZO ESTERNA <i>TIE ROD END - OUTER</i>		LHT M14x1,5
0293510	48521-U0100	TESTA STERZO INTERNA <i>TIE ROD END - INNER</i>		LHT M14x1,5
0303516	48530-21400	BRACCIO STERZO - L H D <i>IDLER ARM - L H D</i>		
0403513	40160-U7000	SNODO SOSPENSIONE INFERIORE <i>SUSPENSION JOINT - LOWER</i>		
0583512	48510-U0100	BARRA STERZO <i>TIE ROD</i>		
0593512	48630-U0100	BARRA STERZO <i>TIE ROD</i>		

DESTRO
RIGHT



SINISTRO
LEFT

SUNNY

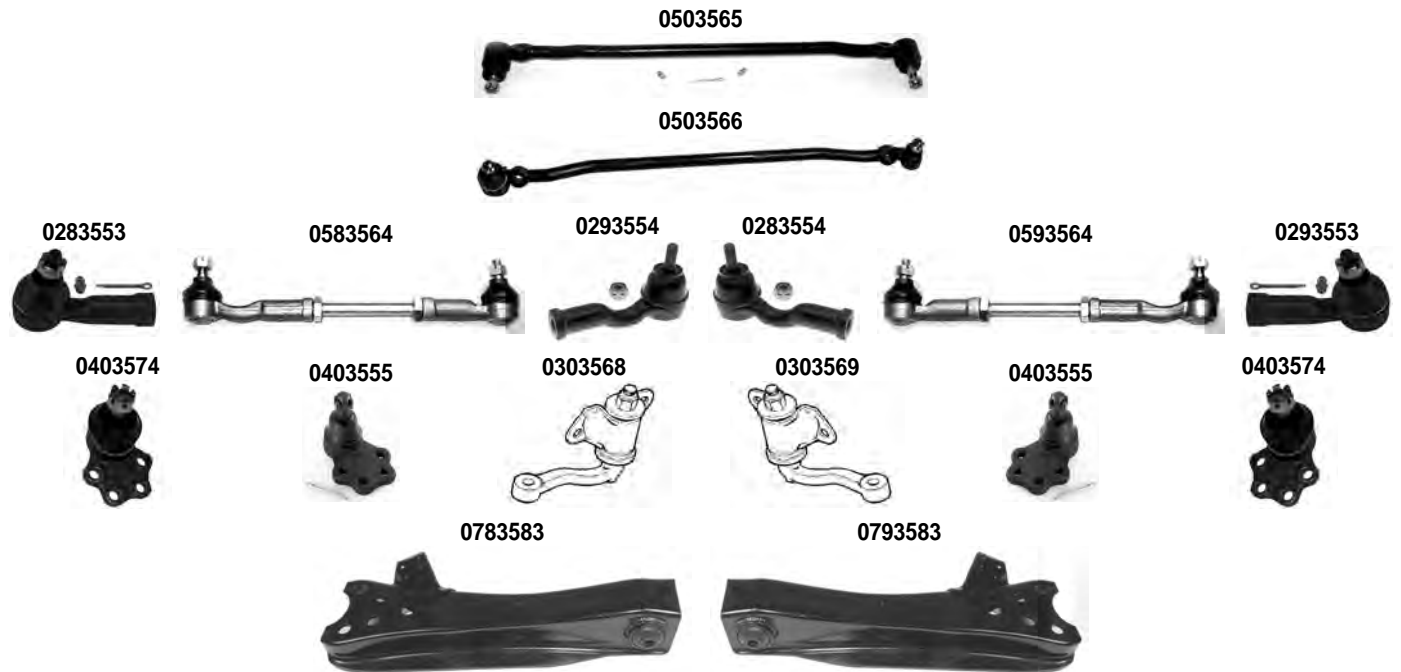
B310 - HB310

1977 > 1981

Asse Anteriore



Front Axle



1) SERIE B310 - SERIES B310		2) SERIE HB310 - SERIES HB310	
OCAP	O.E.		
0283553	48520-W5025	TESTA STERZO ESTERNA TIE ROD END - OUTER	RHT M14x1,5
0283554	48641-W5025	TESTA STERZO INTERNA TIE ROD END - INNER	RHT M14x1,5
0293553	48640-W5025	TESTA STERZO ESTERNA TIE ROD END - OUTER	LHT M14x1,5
0293554	48521-W5025	TESTA STERZO INTERNA TIE ROD END - INNER	LHT M14x1,5
0303568	48530-H6100	BRACCIO STERZO - L H D IDLER ARM - L H D	
0303569	48530-H5000	BRACCIO STERZO - R H D IDLER ARM - R H D	
0403555	40160-W5000	SNODO SOSPENSIONE INFERIORE SUSPENSION JOINT - LOWER	2)
0403574	40160-H7400	SNODO SOSPENSIONE INFERIORE SUSPENSION JOINT - LOWER	1)
0503565	48560-W5725	BARRA STERZO - L H D TIE ROD - L H D	
0503566	48560-W5025	BARRA STERZO - R H D TIE ROD - R H D	
0583564	48510-W5025	BARRA STERZO TIE ROD	
0593564	48630-W5025	BARRA STERZO TIE ROD	
0783583	54100-H1000	BRACCIO OSCILLANTE TRACK CONTROL ARM	
0793583	54101-H1000	BRACCIO OSCILLANTE TRACK CONTROL ARM	

DESTRO
RIGHT



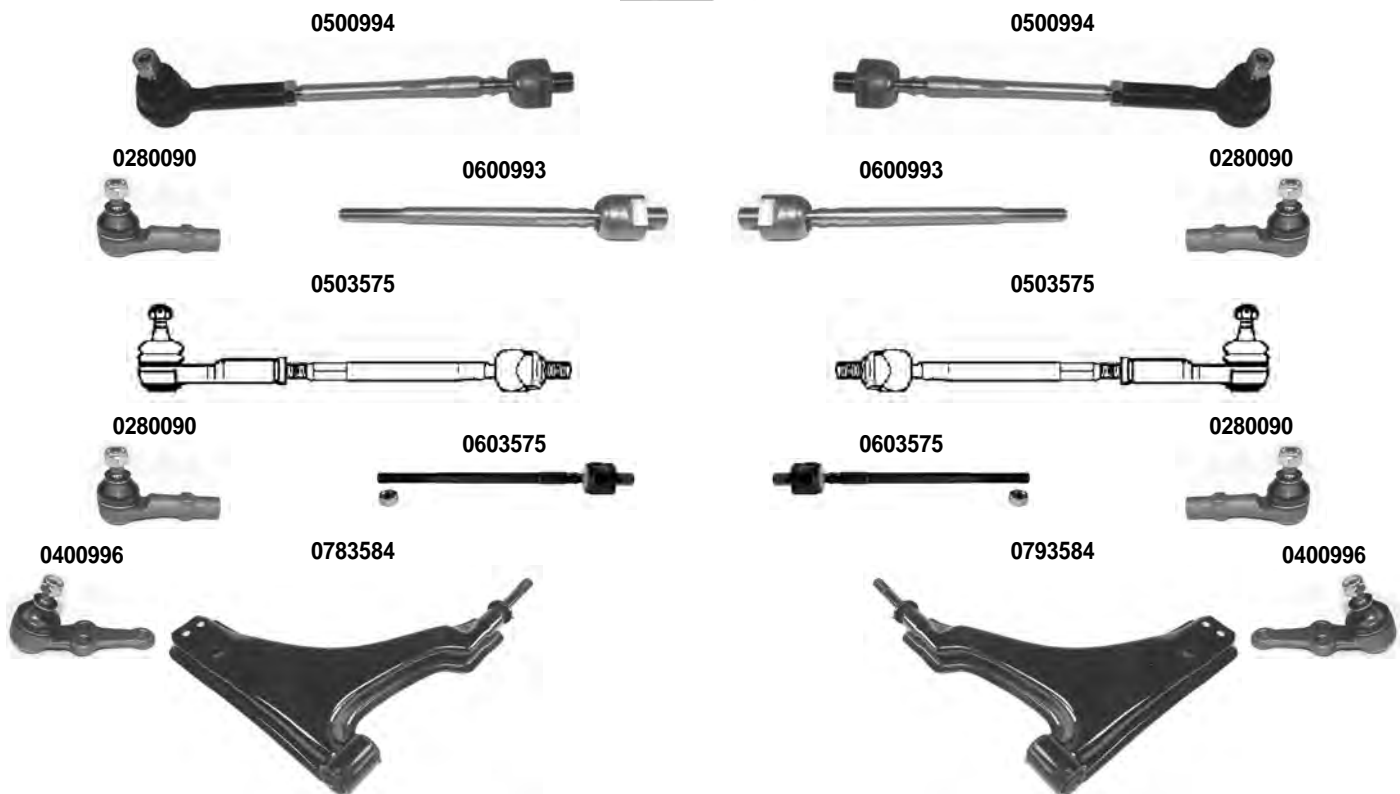
SINISTRO
LEFT

SUNNY	B 11	1981 > 1985
-------	------	-------------

Asse Anteriore



Front Axle



i 1) STERZO MANUALE - MANUAL STEERING	2) SERVOSTERZO - POWER STEERING
--	---------------------------------

OCAP	O.E.		i	
0280090	48520-D0126	TESTA STERZO TIE ROD END		RHT M12x1,25
0400996	40160-01A25	SNODO SOSPENSIONE INFERIORE SUSPENSION JOINT - LOWER		
0500994	48510-D0125	BARRA STERZO TIE ROD MANUAL STEERING	1)	
0503575	48510-35A25	BARRA STERZO SERVOSTERZO TIE ROD POWER STEERING	2)	
0600993	48521-D0100	SNODO ASSIALE AXIAL JOINT		RHT M12x1,25
0603575	48521-35A00	SNODO ASSIALE AXIAL JOINT	2)	RHT M12x1,25
0783584	54529-04A00	BRACCIO OSCILLANTE TRACK CONTROL ARM		
0793584	54530-04A00	BRACCIO OSCILLANTE TRACK CONTROL ARM		

DESTRO
RIGHT



SINISTRO
LEFT

SUNNY

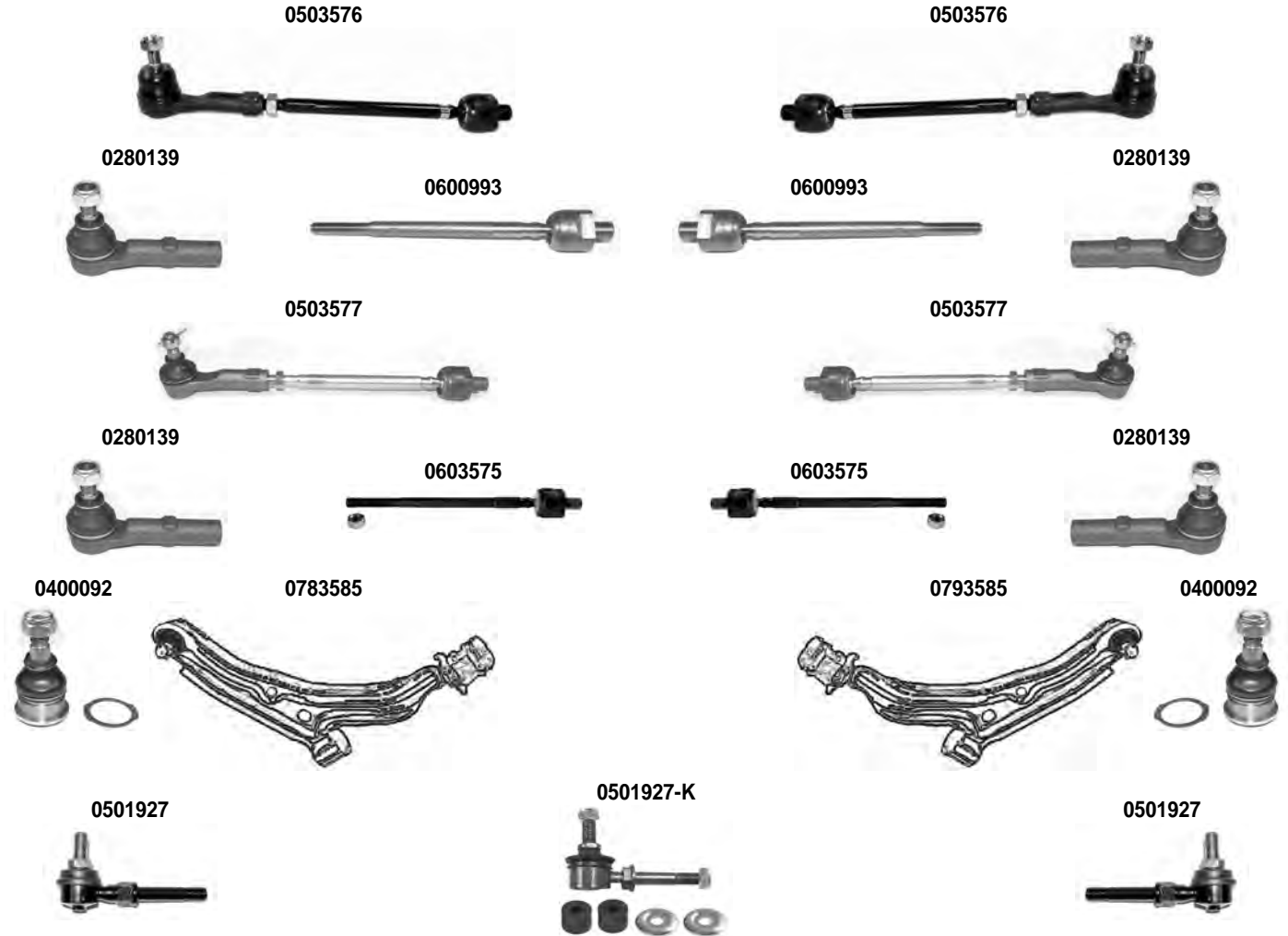
B12
N13

01/1986 > 08/1990
06/1986 > 10/1990

Asse Anteriore



Front Axle



i 1) ESCLUSO ARABIA S. - GOLFO - EXCEPT S. ARABIAN - GOLF 2) SERIE S. ARABIA - GOLFO - SERIES S. ARABIAN - GOLF

OCAP	O.E.		
0280139	48520-50A26	TESTA STERZO TIE ROD END	RHT M12x1,25
0400092	40160-50A00	SNODO SOSPENSIONE INFERIORE SUSPENSION JOINT - LOWER	
0501927	46630-60B00	STABILIZZATORE STABILIZER LINK	RHT M8x1,25
0503576	48510-53A25	BARRA STERZO TIE ROD	1)
0503577	48510-50A26	BARRA STERZO TIE ROD	2)
0600993	48521-D0100	SNODO ASSIALE AXIAL JOINT	RHT M12x1,25
0603575	48521-35A00	SNODO ASSIALE AXIAL JOINT	RHT M12x1,25
0783585	54500-50A00	BRACCIO OSCILLANTE TRACK CONTROL ARM	
0793585	54501-50A00	BRACCIO OSCILLANTE TRACK CONTROL ARM	
0501927-K	46630-60B00 *	KIT STABILIZZATORE STABILIZER LINK KIT	RHT M8x1,25

DESTRO
RIGHT



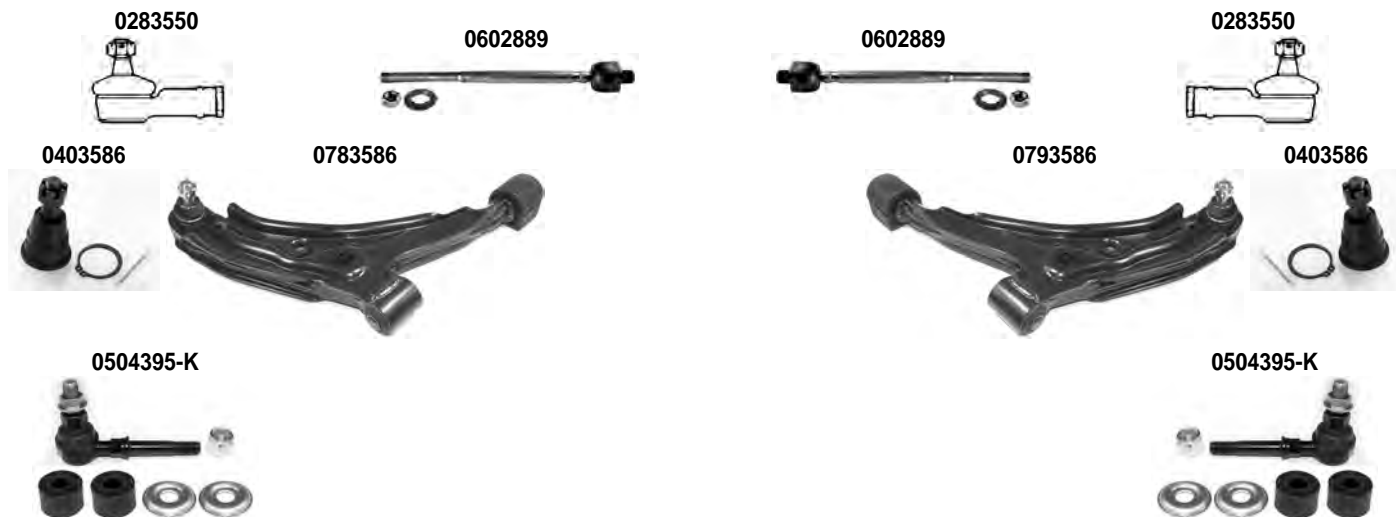
SINISTRO
LEFT

SUNNY SUNNY	B13 N14	1991 > 1994 1990 > 1995
------------------------------	------------	----------------------------

Asse Anteriore



Front Axle



OCAP	O.E.		
0283550	48520-01E26	TESTA STERZO TIE ROD END	RHT M12x1,25
0403586	40160-60Y20	SNODO SOSPENSIONE - INFERIORE BALL JOINT - LOWER	
0602889	48521-50Y00	SNODO ASSIALE AXIAL JOINT	RHT M12x1,25
0783586	54500-52Y70	BRACCIO OSCILLANTE TRACK CONTROL ARM	
0793586	54501-52Y70	BRACCIO OSCILLANTE TRACK CONTROL ARM	
0504395-K	54618-50Y00	STABILIZZATORE STABILIZER LINK	L = 85 mm.

DESTRO
RIGHT



SINISTRO
LEFT

TERRANO I

WD21

1987 >1996

Asse Anteriore



Front Axle



i 1) > 1992	2) 1992 >
--------------------	-----------

OCAP	O.E.		i	
0182890	48520-61G25	TESTA STERZO ESTERNA TIE ROD END - OUTER	2)	
0183588	48520-7F000	TESTA STERZO ESTERNA TIE ROD END - OUTER	1)	RHT M16x1,5
0193588	48570-31G25	TESTA STERZO INTERNA TIE ROD END - INNER	1)	LHT M16x1,5
0303590	48530-31G25	BRACCIO STERZO - L H D IDLER ARM - L H D		
0303591	48530-35G25	BRACCIO STERZO - R H D IDLER ARM - R H D		
0403533	40110-B9500	SNODO SOSPENSIONE SUPERIORE SUSPENSION JOINT - UPPER		
0403548	40160-0F000	SNODO SOSPENSIONE INFERIORE SUSPENSION JOINT - LOWER		

DESTRO
RIGHT



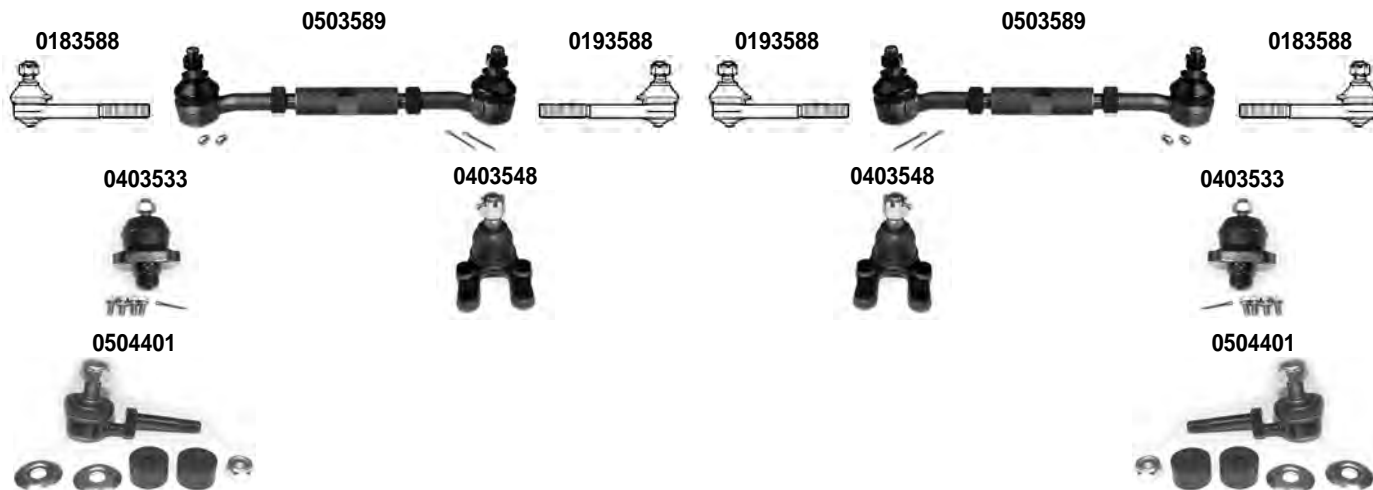
SINISTRO
LEFT

TERRANO II	R20	02/1993 >
------------	-----	-----------

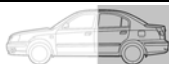
Asse Anteriore



Front Axle



Asse Posteriore



Rear Axle



i 1) 1996 >1999	2) > 05/1996
------------------------	--------------

OCAP	O.E.		i	
0183588	48520-7F000	TESTA STERZO ESTERNA TIE ROD END - OUTER		RHT M16x1,5
0193588	48570-31G25	TESTA STERZO INTERNA TIE ROD END - INNER		LHT M16x1,5
0403533	40110-B9500	SNODO SOSPENSIONE - SUPERIORE SUSPENSION JOINT - UPPER		
0403548	40160-0F000	SNODO SOSPENSIONE - INFERIORE SUSPENSION JOINT - LOWER	2)	
0503589	48630-31G25	BARRA STERZO TIE ROD	1)	
0504401	54618-0F000	STABILIZZATORE STABILIZER LINK		
0504402	56260-0F001	STABILIZZATORE STABILIZER LINK		

DESTRO
RIGHT

 SINISTRO
LEFT

 TIIDA 2 VOLUMI (HATCHBACK)
TIIDA 3 VOLUMI (SALOON)

 C11X
SC11X

 09/2007 >
09/2007 >

Asse Anteriore



Front Axle



OCAP	O.E.		i	
0282665	48527-1U61A	TESTA STERZO TIE ROD END		RHT M12x1,25
0292665	48647-1U61A	TESTA STERZO TIE ROD END		RHT M12x1,25
0408071	54500-EW000 *	SNODO SOSPENSIONE - INFERIORE BALL JOINT		
0504380	54618-AX600	STABILIZZATORE STABILIZER LINK		
0602665	48521-3U025	SNODO ASSIALE AXIAL JOINT		RHT M12x1,25
0782665	54500-EW000	BRACCIO OSCILLANTE - INFERIORE TRACK CONTROL ARM - LOWER		
0792665	54501-EW000	BRACCIO OSCILLANTE - INFERIORE TRACK CONTROL ARM - LOWER		

DESTRO
RIGHT



SINISTRO
LEFT

TSURU I - SENTRA I
TSURU II - SENTRA II

1982 > 1989
1989 > 1992

Asse Anteriore



Front Axle



i 1)SOLO PER - ONLY FOR: TSURU I - SENTRA I 2) SOLO PER - ONLY FOR: TSURU II - SENTRA II

OCAP	O.E.		i	
0180088	48520-A03G0	TESTA STERZO TIE ROD END	1)	
0280090	48520-D0126	TESTA STERZO TIE ROD END	2)	
0400092	40160-50A00	SNODO SOSPENSIONE INFERIORE SUSPENSION JOINT - LOWER	2)	
0400996	40160-01A25	SNODO SOSPENSIONE INFERIORE SUSPENSION JOINT - LOWER	1)	
0600089	48521-A03G0	SNODO ASSIALE AXIAL JOINT	1)	
0600993	48521-D0100	SNODO ASSIALE AXIAL JOINT	2)	

DESTRO
RIGHT



SINISTRO
LEFT

TSURU III - SENTRA III

1992 > 1995

Asse Anteriore



Front Axle

0280139



0603602



0603602



0280139



0403586



0783586



0793586



0403586



OCAP	O.E.			
0280139	48520-50A26	TESTA STERZO TIE ROD END		
0403586	40160-Y02G0	SNODO SOSPENSIONE INFERIORE SUSPENSION JOINT - LOWER		
0603602	48521-X08G1	SNODO ASSIALE AXIAL JOINT		
0783586	54500-52Y70	BRACCIO OSCILLANTE TRACK CONTROL ARM		
0793586	54501-52Y70	BRACCIO OSCILLANTE TRACK CONTROL ARM		

DESTRO
RIGHT



SINISTRO
LEFT

URVAN	E21 - E22 - E23	1978 > 1986
--------------	-----------------	-------------

Asse Anteriore



Front Axle

0193529



0403533



0480146



0490146



0183529



0403533



OCAP	O.E.		
0183529	48561-T3025	TESTA STERZO TIE ROD END	RHT M20x1,5
0193529	48571-T3025	TESTA STERZO TIE ROD END	LHT M20x1,5
0403533	40110-B9500	SNODO SOSPENSIONE SUPERIORE SUSPENSION JOINT - UPPER	
0480146	40160-48W25	SNODO SOSPENSIONE INFERIORE SUSPENSION JOINT - LOWER	
0490146	40161-48W25	SNODO SOSPENSIONE INFERIORE SUSPENSION JOINT - LOWER	

DESTRO
RIGHT

 SINISTRO
LEFT

URVAN

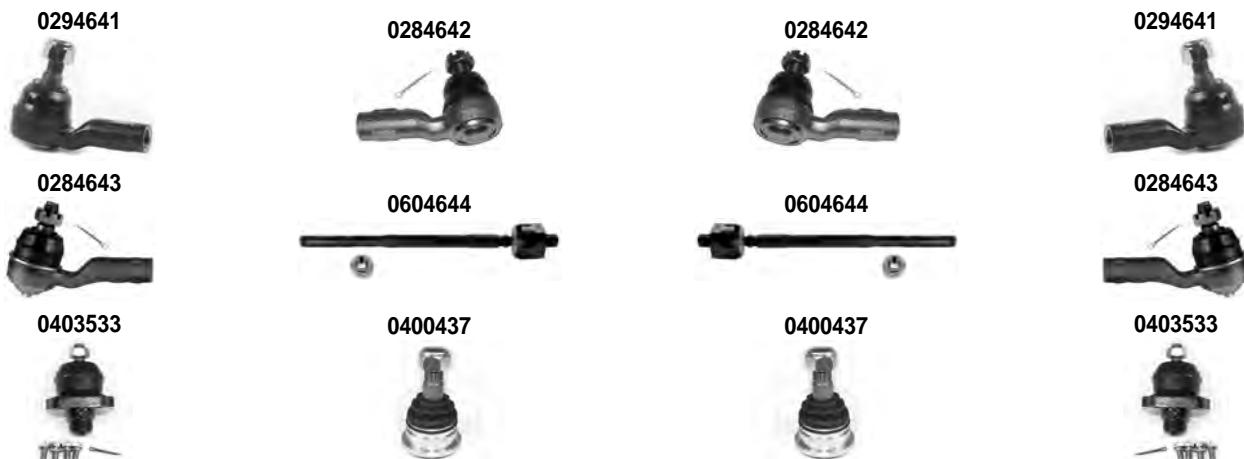
E24

02/1987 > 05/1997

Asse Anteriore



Front Axle



1) > 09/1988		2) 10/1988 >		
OCAP	O.E.			
0284642	48641-01N25	TESTA STERZO INTERNA TIE ROD END - INNER	1)	RHT M16x1,5
0284643	48520-27N25	TESTA STERZO TIE ROD END	2)	RHT M14x1,5
0294641	48640-01N25	TESTA STERZO ESTERNA TIE ROD END - OUTER	1)	LHT M16x1,5
0400437	40160-01G00	SNODO SOSPENSIONE - SUPERIORE BALL JOINT - UPPER		
0403533	40110-B9500	SNODO SOSPENSIONE - SUPERIORE BALL JOINT - UPPER		
0604644	48521-27N00	SNODO ASSIALE AXIAL JOINT	2)	RHT M14x1,5

DESTRO
RIGHT



SINISTRO
LEFT

URVAN	E25	2001 > 2007
--------------	-----	-------------

Asse Anteriore



Front Axle

0284644



0284644



0384644



0394644



0404643



0404643



0584643



0594643



OCAP	O.E.			
0284644	48520-VW000	TESTA STERZO TIE ROD END		RHT M20x1,5
0384644	54524-VW100	BRACCIO OSCILLANTE - SUPERIORE TRACK CONTROL ARM - UPPER		
0394644	54525-VW100	BRACCIO OSCILLANTE - SUPERIORE TRACK CONTROL ARM - UPPER		
0404643	40160-VW000	SNODO SOSPENSIONE - INFERIORE BALL JOINT - LOWER		
0584643	54617-VW000	STABILIZZATORE STABILIZER LINK		
0594643	54667-VW000	STABILIZZATORE STABILIZER LINK		

DESTRO
RIGHT



SINISTRO
LEFT

VANETTE

C120 - C121 - C122

1978 > 1985



Asse Anteriore



Front Axle



i 1) SOLO PER SERIE C120 - ONLY FOR C120 SERIES

OCAP	O.E.		i	
0283509	48520-U0100	TESTA STERZO ESTERNA TIE ROD END - OUTER		RHT M14x1,5
0283510	48641-U0100	TESTA STERZO INTERNA TIE ROD END - INNER		RHT M14x1,5
0293509	48640-U0100	TESTA STERZO ESTERNA TIE ROD END - OUTER		LHT M14x1,5
0293510	48521-U0100	TESTA STERZO INTERNA TIE ROD END - INNER		LHT M14x1,5
0404645	40110-G3700	SNODO SOSPENSIONE - SUPERIORE BALL JOINT - UPPER	1)	
0404646	40160-G5400	SNODO SOSPENSIONE - INFERIORE BALL JOINT - LOWER	1)	
0583581	48510-G2525	BARRA STERZO TIE ROD		
0593581	48630-G2525	BARRA STERZO TIE ROD		

DESTRO
RIGHT



SINISTRO
LEFT

VANETTE	C22	10/1986 > 12/1995
----------------	-----	-------------------

Asse Anteriore



Front Axle



OCAP	O.E.			
0284647	48640-G5125	TESTA STERZO ESTERNA TIE ROD END - OUTER		RHT M14x1,5
0284648	48521-G5125	TESTA STERZO INTERNA TIE ROD END - INNER		RHT M14x1,5
0294647	48520-G5125	TESTA STERZO ESTERNA TIE ROD END - OUTER		LHT M14x1,5
0294648	48641-G5125	TESTA STERZO INTERNA TIE ROD END - INNER		LHT M14x1,5
0404645	40110-G3700	SNODO SOSPENSIONE - SUPERIORE BALL JOINT - UPPER		
0404646	40160-G5400	SNODO SOSPENSIONE - INFERIORE BALL JOINT - LOWER		

DESTRO
RIGHT



SINISTRO
LEFT

VIOLET

710 - 711

1973 > 1977

Asse Anteriore



Front Axle

0503514



0283509

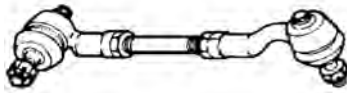
0583512

0293510

0283510

0593512

0293509



0303516






0403513



0403513



OCAP	O.E.			
0283509	48520-U0100	TESTA STERZO ESTERNA TIE ROD END - OUTER		RHT M14x1,5
0283510	48641-U0100	TESTA STERZO INTERNA TIE ROD END - INNER		RHT M14x1,5
0293509	48640-U0100	TESTA STERZO ESTERNA TIE ROD END - OUTER		LHT M14x1,5
0293510	48521-U0100	TESTA STERZO INTERNA TIE ROD END - INNER		LHT M14x1,5
0303516	48530-21400	BRACCIO STERZO - L H D IDLER ARM - L H D		
0403513	40160-U7000	SNODO SOSPENSIONE INFERIORE SUSPENSION JOINT - LOWER		
0503514	48560-U5200	BARRA STERZO - L H D TIE ROD - L H D		
0583512	48510-U0100	BARRA STERZO TIE ROD		
0593512	48630-U0100	BARRA STERZO TIE ROD		

DESTRO
RIGHT



SINISTRO
LEFT

VIOLET	A 10 - A 11	1977 > 1981
--------	-------------	-------------

Asse Anteriore



Front Axle

0503565



0503566



0283553



0583564



0293554



0283554



0593564



0293553



0303568



0303569



0403555



0403555



OCAP	O.E.			
0283553	48520-W5025	TESTA STERZO ESTERNA TIE ROD END - OUTER		RHT M14x1,5
0283554	48641-W5025	TESTA STERZO INTERNA TIE ROD END - INNER		RHT M14x1,5
0293553	48640-W5025	TESTA STERZO ESTERNA TIE ROD END - OUTER		LHT M14x1,5
0293554	48521-W5025	TESTA STERZO INTERNA TIE ROD END - INNER		LHT M14x1,5
0303568	48530-H6100	BRACCIO STERZO - L H D IDLER ARM - L H D		
0303569	48530-H5000	BRACCIO STERZO - R H D IDLER ARM - R H D		
0403555	40160-W5000	SNODO SOSPENSIONE INFERIORE SUSPENSION JOINT - LOWER		
0503565	48560-W5725	BARRA STERZO - L H D TIE ROD - L H D		
0503566	48560-W5025	BARRA STERZO - R H D TIE ROD - R H D		
0583564	48510-W5025	BARRA STERZO TIE ROD		
0593564	48630-W5025	BARRA STERZO TIE ROD		

DESTRO
RIGHT



SINISTRO
LEFT

X-TRAIL

T30

07/2001 > 2007

Asse Anteriore



Front Axle

0284511



0604512



0604512



0284511



0384514



0394514



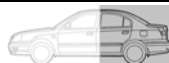
0584513



0594513

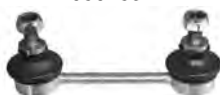


Asse Posteriore

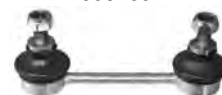


Rear Axle

0502834



0502834



OCAP	O.E.			
0284511	48520-0P725	TESTA STERZO ESTERNA TIE ROD END - OUTER		
0384514	54500-8H310	BRACCIO OSCILLANTE TRACK CONTROL ARM		
0394514	54501-8H310	BRACCIO OSCILLANTE TRACK CONTROL ARM		
0502834	56261-EQ000	STABILIZZATORE STABILIZER LINK		
0584513	54618-8H300	STABILIZZATORE STABILIZER LINK		
0594513	54668-8H300	STABILIZZATORE STABILIZER LINK		
0604512	48521-8H300	SNODO ASSIALE AXIAL JOINT		

DESTRO
RIGHT



SINISTRO
LEFT

X-TRAIL	T31	06/2007 > 2013
----------------	-----	----------------

Asse Anteriore

Front Axle



OCAP	O.E.			
0283123	48527-JD01A	TESTA STERZO <i>TIE ROD END</i>		
0293123	48647-JD01A	TESTA STERZO <i>TIE ROD END</i>		
0403124	40160-9W200	SNODO SOSPENSIONE INFERIORE <i>SUSPENSION JOINT - LOWER</i>		
0583125	54618-JD00A	STABILIZZATORE <i>STABILIZER LINK</i>		
0593125	54668-JD00A	STABILIZZATORE <i>STABILIZER LINK</i>		
0603271	D8521-JD00B	SNODO ASSIALE <i>AXIAL JOINT</i>		
0783124	54500-BR30A	BRACCIO OSCILLANTE - INFERIORE <i>TRACK CONTROL ARM - LOWER</i>		
0793124	54501-BR30A	BRACCIO OSCILLANTE - INFERIORE <i>TRACK CONTROL ARM - LOWER</i>		
1215977	54500-BR30A *	SILENTBLOCK - CENTRALE <i>CENTRAL BUSHING</i>		
1215978	54570-BB00A	SILENTBLOCK - ESTREMO <i>OUTER BUSHING</i>		

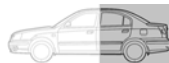
DESTRO
RIGHT



SINISTRO
LEFT



X-TRAIL	T31	06/2007 > 2013
----------------	-----	----------------

Asse Posteriore



Rear Axle



OCAP	O.E.		i	
0385788	55120-JD00B	BRACCIO OSCILLANTE - SUPERIORE - ALLUMINIO <i>TRACK CONTROL ARM - UPPER - ALUMINIUM</i>		
0395788	55121-JD00B	BRACCIO OSCILLANTE - SUPERIORE - ALLUMINIO <i>TRACK CONTROL ARM - UPPER - ALUMINIUM</i>		
0584633	55618-JD00A	STABILIZZATORE <i>STABILIZER LINK</i>		
0594633	55619-JD00A	STABILIZZATORE <i>STABILIZER LINK</i>		
0785791	55110-JD000	BRACCIO OSCILLANTE - INFERIORE <i>TRACK CONTROL ARM - LOWER</i>		
0795791	55111-JD00A	BRACCIO OSCILLANTE - INFERIORE <i>TRACK CONTROL ARM - LOWER</i>		
1216287	55120-JD00B *	SILENTBLOCK <i>BUSHING</i>		
1216288	55110-JD000 *	SILENTBLOCK <i>BUSHING</i>		

DESTRO
RIGHT



SINISTRO
LEFT

ADAM		10/2012 >
------	--	-----------

Asse Anteriore

Front Axle



OCAP	O.E.		
0282356	1603545	TESTA STERZO TIE ROD END	RHT M14x1,5
0292356	1603544	TESTA STERZO TIE ROD END	RHT M14x1,5
0402357	352087	SNODO SOSPENSIONE BALL JOINT	
0502582	350233	STABILIZZATORE STABILIZER LINK	
0602583	1609211	SNODO ASSIALE AXIAL JOINT	RHT M14x1,5
0782587	5352038	BRACCIO OSCILLANTE TRACK CONTROL ARM	
0792587	5352039	BRACCIO OSCILLANTE TRACK CONTROL ARM	
0902586	1609347	KIT CUFFIA STERZO STEERING GAITER KIT	
1215560	55703232	SILENTBLOCK CENTRALE CENTRAL BUSHING	
1215813	352864	SILENTBLOCK ESTREMO OUTER BUSHING	

DESTRO
RIGHT

 SINISTRO
LEFT

AGILA

2000 >

Asse Anteriore



Front Axle


i 1) > CH. 1G075421

2) CH. 1G075422 >

OCAP	O.E.		i	
0281846	4705716	TESTA STERZO TIE ROD END	2)	RHT M12x1,25
0283616	48810-82000	TESTA STERZO TIE ROD END	1)	RHT M12x1,25
0301848	4705172	BRACCIO OSCILLANTE TRACK CONTROL ARM	1)	L = 283 mm.
0301849	4705742	BRACCIO OSCILLANTE TRACK CONTROL ARM	2)	
0601847	4701745	SNODO ASSIALE AXIAL JOINT		RHT M12x1,25
0901840	4701740 *	KIT CUFFIE STERZO STEERING GAITER KIT		
1211372	4701740	CUFFIA STERZO STEERING GAITER		
1215556	4703866	SILENTBLOCK ESTREMO OUTER BUSHING		
1215557	4705409	SILENTBLOCK CENTRALE CENTRAL BUSHING		

DESTRO
RIGHT



SINISTRO
LEFT

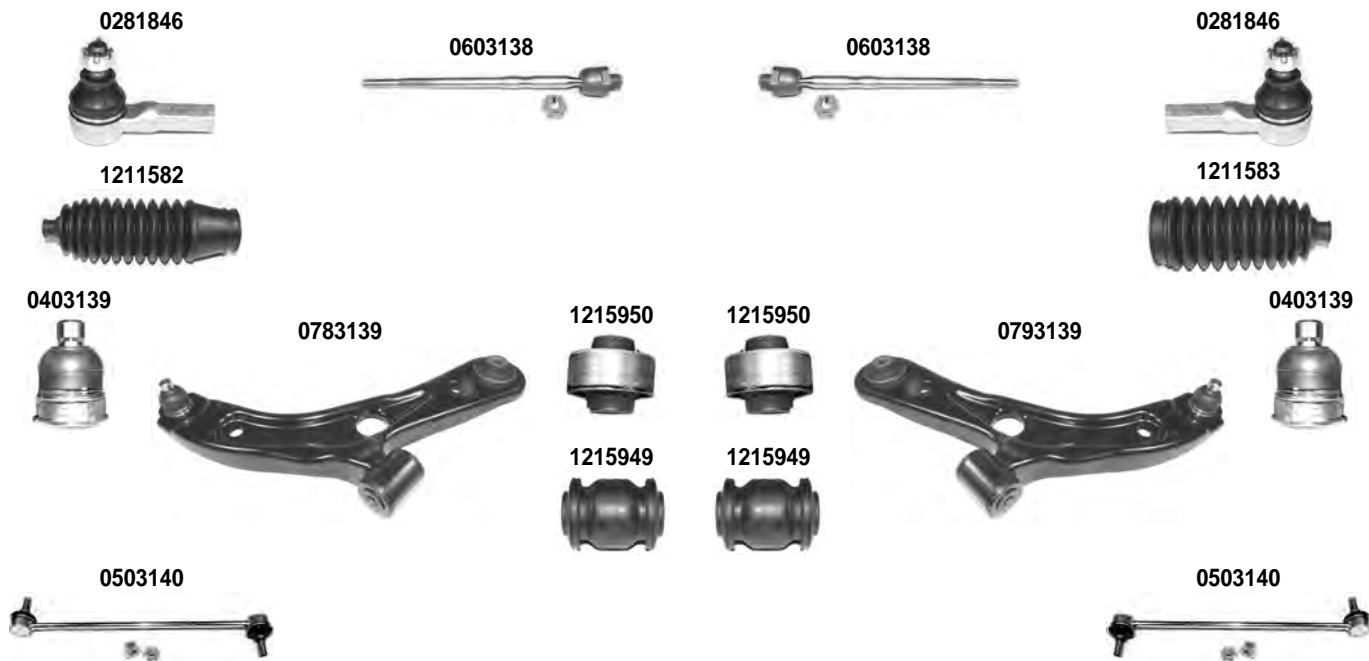
AGILA II

09/2007 >

Asse Anteriore



Front Axle



OCAP	O.E.			
0281846	4705716	TESTA STERZO TIE ROD END		RHT M12x1,25
0403139	4708299 *	SNODO SOSPENSIONE - INFERIORE BALL JOINT - LOWER		
0503140	4709702	STABILIZZATORE STABILIZER LINK		
0603138	4709161	SNODO ASSIALE AXIAL JOINT		RHT M12x1,25
0783139	4708299	BRACCIO OSCILLANTE - INFERIORE TRACK CONTROL ARM - LOWER		
0793139	4708300	BRACCIO OSCILLANTE - INFERIORE TRACK CONTROL ARM - LOWER		
1211582	4709165	CUFFIA STERZO STEERING GAITER		
1211583	4709117	CUFFIA STERZO STEERING GAITER		
1215949	4708302	SILENTBLOCK CENTRALE BUSHING CENTRAL		
1215950	4708302 *	SILENTBLOCK ESTREMO BUSHING OUTER		

DESTRO
RIGHT

 SINISTRO
LEFT

ANTARA

05/2006 >

Asse Anteriore



Front Axle



Asse Posteriore



Rear Axle



OCAP	O.E.		
0285337	4803429	TESTA STERZO TIE ROD END	RHT M14x1,5
0405337	96852964	SNODO SOSPENSIONE - INFERIORE BALL JOINT - LOWER	
0505169	4804642	STABILIZZATORE STABILIZER LINK	
0585337	4817515	STABILIZZATORE STABILIZER LINK	
0595337	4817516	STABILIZZATORE STABILIZER LINK	
0605337	4808602 *	SNODO ASSIALE AXIAL JOINT	RHT M14x1,5
0785337	4812870	BRACCIO OSCILLANTE - INFERIORE TRACK CONTROL ARM - LOWER	
0795337	4810831	BRACCIO OSCILLANTE - INFERIORE TRACK CONTROL ARM - LOWER	
0905337	4803246	KIT CUFFIA STERZO STEERING GAITER KIT	
1216024	4812870 **	SILENTBLOCK - CENTRALE CENTRAL BUSHING	
1216025	4810831 *	SILENTBLOCK - ESTREMO OUTER BUSHING	

DESTRO
RIGHT



SINISTRO
LEFT

ASCONA - MANTA

A

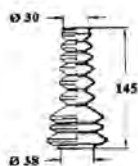
1970 > 1975

Asse Anteriore



Front Axle

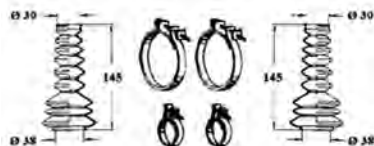
1211104



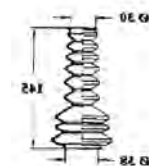
0400757



0901601



1211104



0400757



OCAP	O.E.			
0400757	352812	SNODO SOSPENSIONE - INFERIORE SUSPENSION JOINT - LOWER		
0901601	322502 *	KIT CUFFIE STERZO STEERING GAITER KIT		
1211104	322502	CUFFIA STERZO STEERING GAITER		

DESTRO
RIGHT



SINISTRO
LEFT

ASCONA
MANTA

B
B

1975 > 1981
1975 >

Asse Anteriore



Front Axle

0280753



0600768



0600768



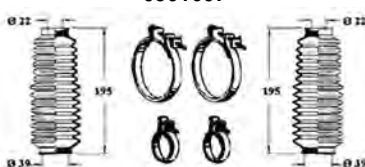
0280753



1211105



0901607



1211105



0400769



0400769



0401403



0401403



OCAP	O.E.		
0280753	324115	TESTA STERZO TIE ROD END	RHT M14x1,5
0400769	310815	SNODO SOSPENSIONE - SUPERIORE SUSPENSION JOINT - UPPER	
0401403	352819	SNODO SOSPENSIONE - INFERIORE SUSPENSION JOINT - LOWER	
0600768	324251	SNODO ASSIALE AXIAL JOINT	RHT M14x1,5
0901607	322506 *	KIT CUFFIE STERZO STEERING GAITER KIT	
1211105	322506	CUFFIA STERZO STEERING GAITER	

DESTRO
RIGHT



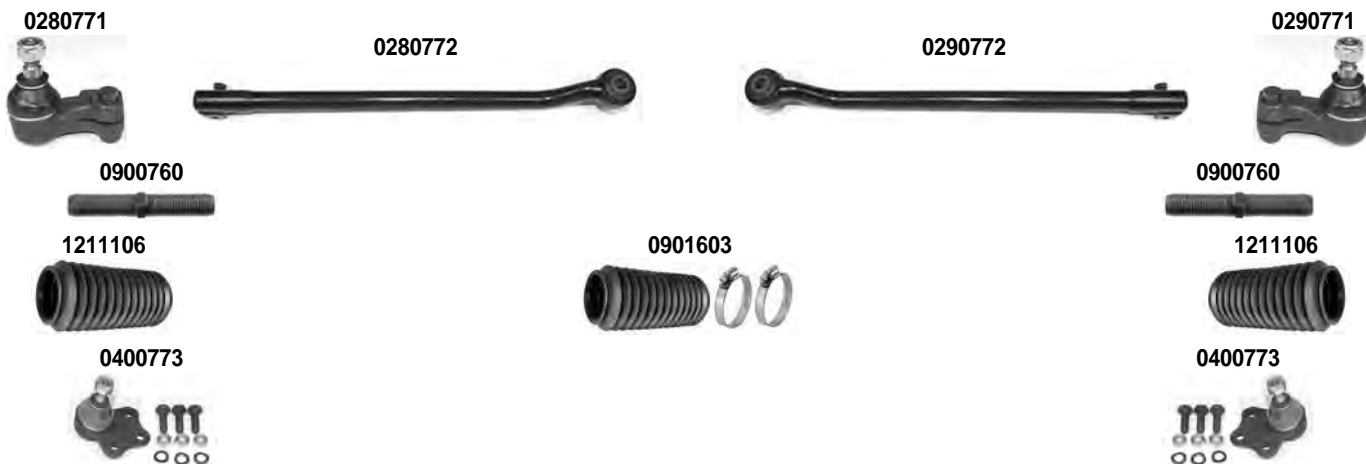
SINISTRO
LEFT

ASCONA	C	1981 >
--------	---	--------

Asse Anteriore



Front Axle



OCAP	O.E.			
0280771	324038	TESTA STERZO TIE ROD END		LHT M16x1,5
0280772	322126	TESTA STERZO TIE ROD END		RHT M16x1,5
0290771	324039	TESTA STERZO TIE ROD END		RHT M16x1,5
0290772	322125	TESTA STERZO TIE ROD END		LHT M16x1,5
0400773	1603163	SNODO SOSPENSIONE - INFERIORE SUSPENSION JOINT - LOWER		
0900760	322575	GIUNTO COLLEGAMENTO ADJUSTMENT BOLT		
0901603	902828 *	KIT CUFFIE STERZO STEERING GAITER KIT		
1211106	902828	CUFFIE STERZO STEERING GAITER		

DESTRO
RIGHT

 SINISTRO
LEFT

**ASTRA
VECTRA
CALIBRA**

 F
A
A

 1991 > 1998
1988 > 1996
1989 >

Asse Anteriore



Front Axle



i 1) SCATOLA STERZO - STEERING BOX - ZF	2) SCATOLA STERZO - STEERING BOX - SAGINAW
3) SCATOLE STERZO - STEERING BOX SAGINAW - SOLO PER - ONLY FOR : MOD. VECTRA	4) MOD. VECTRA > 1990

OCAP	O.E.		
0280058	324056	TESTA STERZO TIE ROD END	LHT M16x2
0280059	322146	TESTA STERZO TIE ROD END	RHT M16x2
0290058	324055	TESTA STERZO TIE ROD END	RHT M16x2
0290059	322147	TESTA STERZO TIE ROD END	LHT M16x2
0582544	324056 *	BARRA STERZO TIE ROD	
0592544	324055 *	BARRA STERZO TIE ROD	
0900060	322577	GIUNTO COLLEGAMENTO ADJUSTMENT BOLT	
0901603	902828 *	KIT CUFFIE STERZO STEERING GAITER KIT	4)
1211106	902828	CUFFIE STERZO STEERING GAITER	4)
1211251	902829	CUFFIE STERZO STEERING GAITER	1)
1211252	1609076	CUFFIE STERZO STEERING GAITER	2)
1211253	1609068	CUFFIE STERZO STEERING GAITER	3)

DESTRO
RIGHT



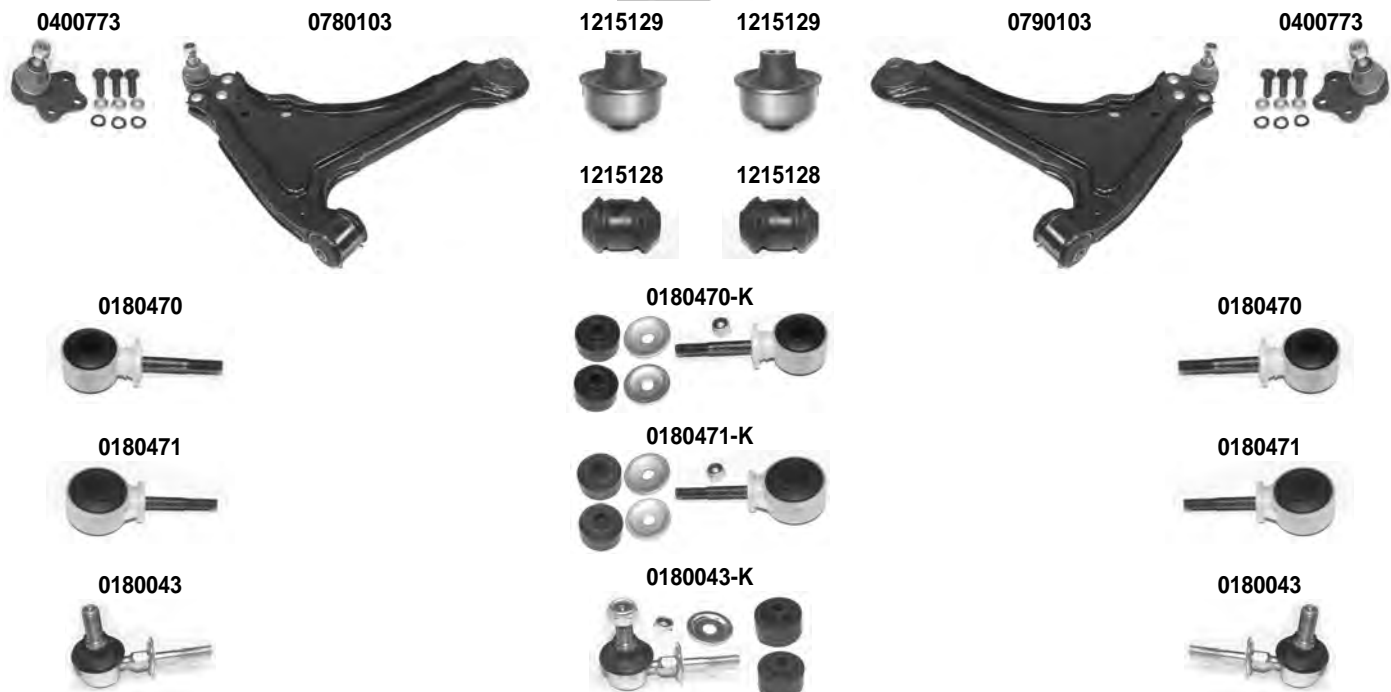
SINISTRO
LEFT

ASTRA VECTRA CALIBRA	F A A	1991 > 1998 1988 > 1996 1989 >
----------------------------	-------------	--------------------------------------

Asse Anteriore



Front Axle



<p>i 5) MOD. ASTRA - VECTRA -> CH. 2595225 > CH. 5111834 > CH. 8145949 7) ASTRA - VECTRA: CH. 2595226 -> CH. 5111735 -> CH. 8145950 > - MOD. CALIBRA: CH. R 1 049314 ></p>	<p>6) DIAM. 22 mm. - MOD. ASTRA - VECTRA: > CH. 2595225 > CH. 5111834 > CH. 8145949 - MOD. CALIBRA: > CH. R 1 049313</p>
--	--

OCAP	O.E.		i	
0180043	350263	PUNTONE BARRA STABILIZZATRICE STABILIZER LINK	7)	
0180470	350261	PUNTONE STABILIZER LINK	5)	DIAM. 19 mm.
0180471	350260	PUNTONE STABILIZER LINK	6)	DIAM. 22 mm.
0400773	1603163	SNODO SOSPENSIONE SUSPENSION JOINT		
0780103	352076	BRACCIO OSCILLANTE COMPLETO INFERIORE COMPLETE TRACK CONTROL ARM - LOWER		
0790103	352077	BRACCIO OSCILLANTE COMPLETO INFERIORE COMPLETE TRACK CONTROL ARM - LOWER		
1215128	352300	SILENTBLOCK CENTRALE CENTRAL BUSHING		
1215129	352348	SILENTBLOCK ESTREMO OUTER BUSHING		
0180043-K	350263 *	KIT PUNTONE BARRA STABILIZZATRICE STABILIZER LINK KIT	7)	
0180470-K	350261 *	KIT PUNTONE BARRA STABILIZZATRICE STABILIZER LINK KIT	5)	DIAM. 19 mm.
0180471-K	350260 *	KIT PUNTONE STABILIZER LINK KIT	6)	DIAM. 22 mm.

DESTRO
RIGHT



SINISTRO
LEFT

ASTRA VECTRA CALIBRA	F A A	1991 > 1998 1988 > 1996 1989 >
----------------------------	-------------	--------------------------------------

Asse Anteriore

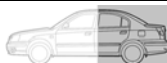


Front Axle

1215403 1249257 1215404 1249256



Asse Posteriore



Rear Axle

1214097 1214243



i 8) ECCECETO ASTRA - EXCEPT ASTRA

OCAP	O.E.		i	
1214097	444199	SILENTBLOCK BARRA STABILIZZATRICE STABILIZING BAR BUSHING	8)	DIAM. 14 mm.
1214243	444336	SILENTBLOCK BARRA STABILIZZATRICE STABILIZING BAR BUSHING		DIAM. 13 mm.
1215403	350081	BOCCOLA BARRA STABILIZZATRICE STABILIZING BAR BUSHING		DIAM. 18 mm.
1215404	350078	BOCCOLA BARRA STABILIZZATRICE STABILIZING BAR BUSHING		DIAM. 22 mm.
1249256	-	STAFFA BARRA STABILIZZATRICE BRACKET FOR STABILIZING BAR		DIAM. 22 mm.
1249257	350378	STAFFA BARRA STABILIZZATRICE BRACKET FOR STABILIZING BAR		DIAM. 18 mm.

DESTRO
RIGHT



SINISTRO
LEFT

ASTRA ZAFIRA	G	1998 > 2004 1999 >
-----------------	---	-----------------------

Asse Anteriore



Front Axle



i 1) SCATOLE STERZO - STEERING BOX - DELPHI-TRW 3) SCATOLE STERZO - STEERING BOX - TRW	2) SCATOLE STERZO - STEERING BOX - DELPHI
--	---

OCAP	O.E.		i	
0281747	1603542	TESTA STERZO TIE ROD END	1)	RHT M14x1,5
0401420	352800	SNODO SOSPENSIONE SUSPENSION JOINT		
0601745	1603213	SNODO ASSIALE AXIAL JOINT	2)	RHT M14x1,5
0601746	1603256 *	SNODO ASSIALE AXIAL JOINT	3)	RHT M14x1,5
0781747	5352017	BRACCIO OSCILLANTE - COMPLETO - INFERIORE COMPLETE TRACK CONTROL ARM - LOWER		
0791747	5352016	BRACCIO OSCILLANTE - COMPLETO - INFERIORE COMPLETE TRACK CONTROL ARM - LOWER		
0901746	1609113	KIT CUFFIE STERZO STEERING GAITER KIT		
1211300	1609113 **	CUFFIA STERZO STEERING GAITER		
1215319	352364	SILENTBLOCK CENTRALE CENTRAL BUSHING		
1215320	352365	SILENTBLOCK ESTREMO OUTER BUSHING		

DESTRO
RIGHT

 SINISTRO
LEFT

**ASTRA
ZAFIRA**

G

 1998 > 2004
1999 >

Asse Anteriore



Front Axle



i	2) RESINA - RESIN	3) ACCIAIO - STEEL
	4) ECCETTO - EXCEPT - ZAFIRA	5) ECCETTO - EXCEPT - ASTRA

OCAP	O.E.		i	
0501744	350614	STABILIZZATORE STABILIZER LINK	2)	
0504068	350611	STABILIZZATORE STABILIZER LINK	3)	
1214098	350130	SILENTBLOCK BARRA STABILIZZATRICE STABILIZING BAR BUSHING	4)	DIAM. 16 mm.
1214108	350138	SILENTBLOCK BARRA STABILIZZATRICE STABILIZING BAR BUSHING	4)	DIAM. 18 mm.
1214110	350140	SILENTBLOCK BARRA STABILIZZATRICE STABILIZING BAR BUSHING	5)	DIAM. 22 mm.

DESTRO
RIGHT



SINISTRO
LEFT

ASTRA

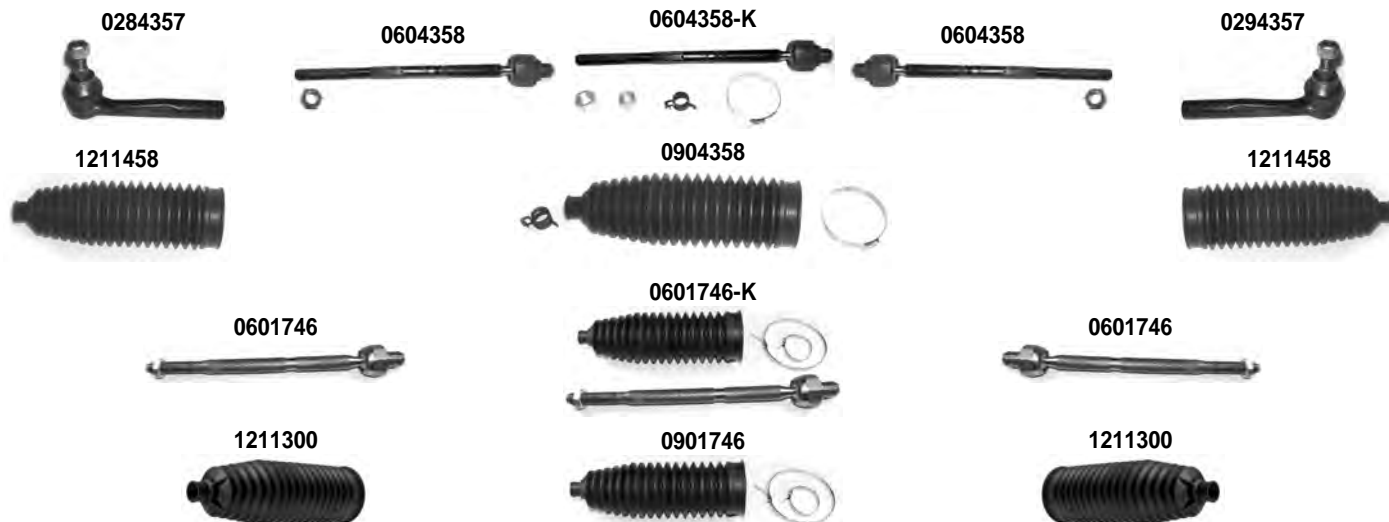
H

03/2004 >

Asse Anteriore



Front Axle



i 1) SCATOLA STERZO - STEERING BOX - ZF 2) SCATOLA STERZO - STEERING BOX - TRW

OCAP	O.E.		
0284357	1603257	TESTA STERZO TIE ROD END	RHT M14x1,5
0294357	1603258	TESTA STERZO TIE ROD END	RHT M14x1,5
0601746	1603256 *	SNODO ASSIALE AXIAL JOINT	2) RHT M14x1,5
0604358	1603264 *	SNODO ASSIALE AXIAL JOINT	1) RHT M14x1,5
0901746	1609113	KIT CUFFIE STERZO STEERING GAITER KIT	2)
0904358	1609153	KIT CUFFIA STERZO STEERING GAITER KIT	1)
1211300	1609113 **	CUFFIA STERZO STEERING GAITER	2)
1211458	1609153 *	CUFFIA STERZO STEERING GAITER	1)
0601746-K	1603256	KIT SNODO ASSIALE AXIAL JOINT KIT	2) RHT M14x1,5
0604358-K	1603264	KIT SNODO ASSIALE AXIAL JOINT KIT	1) RHT M14x1,5

DESTRO
RIGHT

 SINISTRO
LEFT

ASTRA

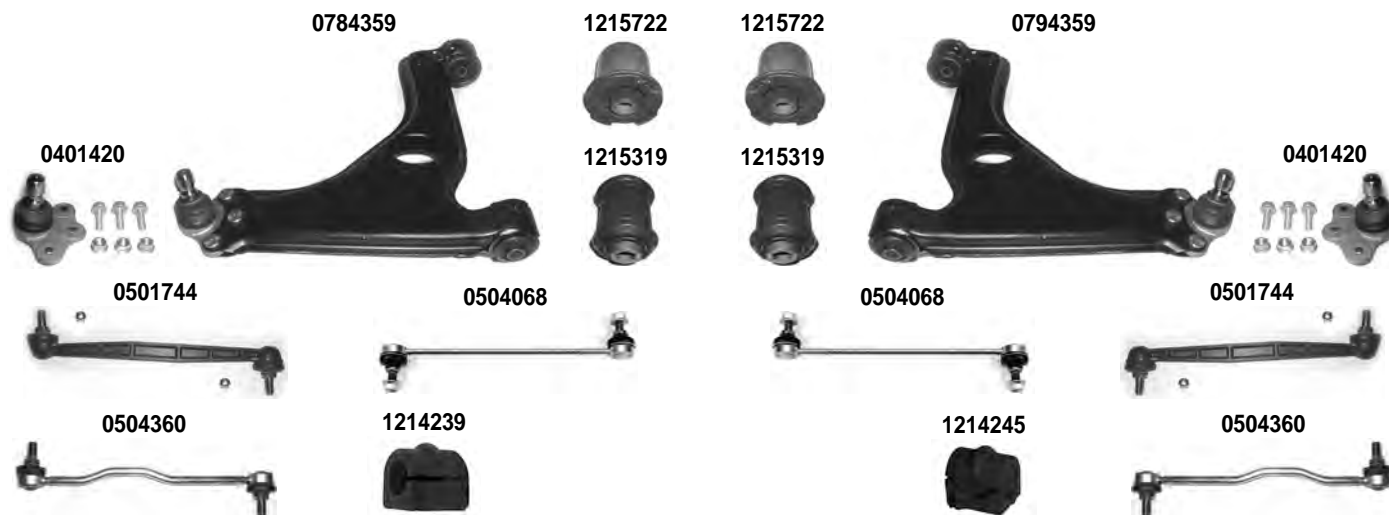
H

03/2004 >

Asse Anteriore



Front Axle



Asse Posteriore



Rear Axle

1216428



1216428



i 3) ESCLUSO MODELLI GUIDA INTERATTIVA (IDS) - RESINA - EXCEPT INTERACTIVE DRIVE (IDS) - RESIN 5) SOLO MODELLI CON GUIDA INTERATTIVA (IDS) - ONLY FOR INTERACTIVE DRIVE (IDS)	4) ESCLUSO MODELLI GUIDA INTERATTIVA (IDS) - ACCIAIO - EXCEPT INTERACTIVE DRIVE (IDS) - STEEL
---	---

OCAP	O.E.		i	
0401420	352800	SNODO SOSPENSIONE SUSPENSION JOINT		
0501744	350614	STABILIZZATORE STABILIZER LINK	3)	
0504068	350611	STABILIZZATORE STABILIZER LINK	4)	
0504360	350613	STABILIZZATORE STABILIZER LINK	5)	
0784359	5352030	BRACCIO OSCILLANTE TRACK CONTROL ARM		
0794359	5352029	BRACCIO OSCILLANTE TRACK CONTROL ARM		
1214239	350117	SILENTBLOCK BARRA STABILIZZATRICE STABILIZING BAR BUSHING		DIAM. 20 mm.
1214245	350161	SILENTBLOCK BARRA STABILIZZATRICE STABILIZING BAR BUSHING		DIAM. 21 mm.
1215319	352364	SILENTBLOCK CENTRALE CENTRAL BUSHING		
1215722	352324	SILENTBLOCK ESTREMO OUTER BUSHING		
1216428	13267215	SUPPORTO ASSALE AXLE SUPPORT		

DESTRO
RIGHT



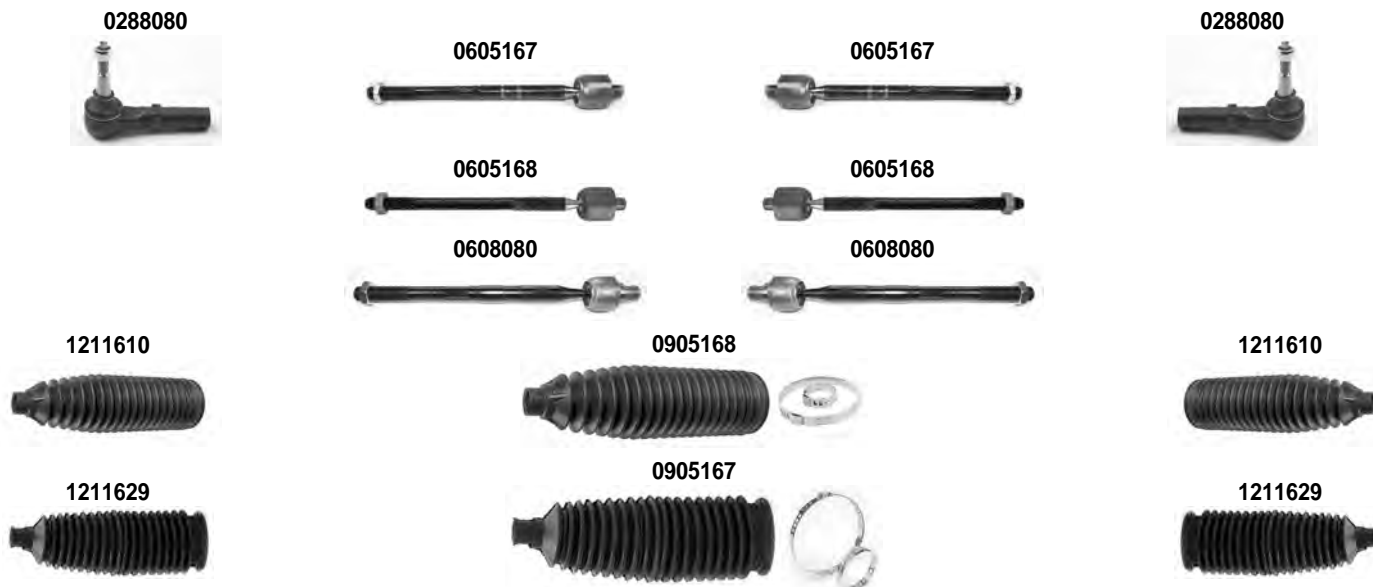
SINISTRO
LEFT

ASTRA ASTRA SPORTS TOURER	J J	12/2009 > 2015 10/2010 > 2015
------------------------------	--------	----------------------------------

Asse Anteriore



Front Axle



<p>i 1) MODELLI CON CREMAGLIERA STANDARD - CON SERVOSTERZO ELETTRICO - GUIDA A SINISTRA - STANDARD RACK TRAVEL MODELS - ELECTRIC POWER STEERING - LEFT HAND DRIVE</p> <p>3) MODELLI CON CREMAGLIERA STANDARD E SERVOSTERZO IDRAULICO - STANDARD RACK TRAVEL MODELS AND HIDRAULIC POWER STEERING</p> <p>5) MOD. SERVOSTERZO - POWER STEERING MODELS</p>	<p>2) MODELLI CON CREMAGLIERA A SPOSTAMENTO RIDOTTO - CON SERVOSTERZO ELETTRICO - GUIDA A SINISTRA - REDUCED RACK TRAVEL MODELS - ELECTRIC POWER STEERING - LEFT HAND DRIVE</p> <p>4) MOD. SERVOSTERZO ELETTRICO - ELECTRIC POWER STEERING MODELS</p>
---	---

OCAP	O.E.		i	
0288080	1609026	TESTA STERZO TIE ROD END		RHT M16x1,5
0605167	1609027	SNODO ASSIALE AXIAL JOINT	1)	RHT M16x1,5
0605168	1609029	SNODO ASSIALE AXIAL JOINT	2)	RHT M16x1,5
0608080	13278358	SNODO ASSIALE AXIAL JOINT	3)	RHT M16x1,5
0905167	0902010	KIT CUFFIA STERZO STEERING GAITER KIT	5)	
0905168	1609028	KIT CUFFIA STERZO STEERING GAITER KIT	4)	
1211610	1609028 *	CUFFIA STERZO STEERING GAITER	4)	
1211629	0902010 *	CUFFIA STERZO STEERING GAITER		

DESTRO
RIGHT

 SINISTRO
LEFT

ASTRA
ASTRA SPORTS TOURER

 J
J

 12/2009 > 2015
10/2010 > 2015

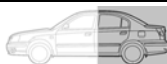
Asse Anteriore



Front Axle



Asse Posteriore



Rear Axle



i 6) PER MODELLI CON FLEXRIDE - FOR FLEXRIDE MODELS 8) MODELLI VERSIONE WATT LINKAGE - MODELS WITH WATT LINKAGE	7) PER MODELLI SENZA FLEXRIDE - RESINA - EXCEPT FLEXRIDE MODELS - RESIN 9) MODELLI VERSIONE SENZA WATT LINKAGE - EXCEPT MODELS WITH WATT LINKAGE
---	---

OCAP	O.E.		i	
0385167	352493	BRACCIO OSCILLANTE - INFERIORE TRACK CONTROL ARM - LOWER		
0395167	352492	BRACCIO OSCILLANTE - INFERIORE TRACK CONTROL ARM - LOWER		
0505167	350618	STABILIZZATORE STABILIZER LINK	6)	
0505168	350617	STABILIZZATORE STABILIZER LINK	7)	
1216010	352866	SILENTBLOCK CENTRALE CENTRAL BUSHING		
1216011	352494	SILENTBLOCK ESTREMO OUTER BUSHING		
1216324	402027	SILENTBLOCK BUSHING	8)	
1216325	402071	SILENTBLOCK BUSHING	9)	

DESTRO
RIGHT



SINISTRO
LEFT

ASTRA
ASTRA SPORTS TOURER

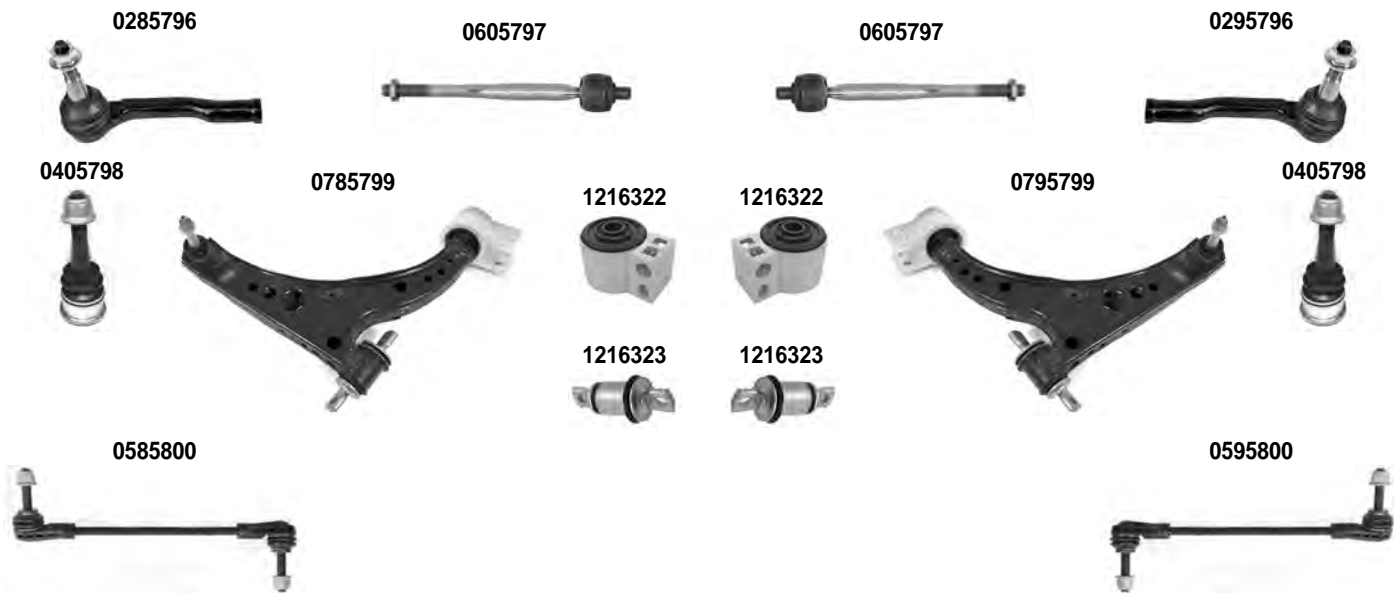
K
K

06/2015 >
11/2015 >

Asse Anteriore



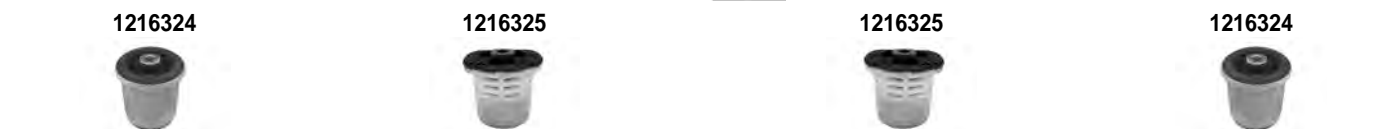
Front Axle



Asse Posteriore



Rear Axle



i 1) MODELLI VERSIONE WATT LINKAGE - MODELS WITH WATT LINKAGE 2) MODELLI VERSIONE SENZA WATT LINKAGE - EXCEPT MODELS WITH WATT LINKAGE

OCAP	O.E.		i	
0285796	39008083	TESTA STERZO TIE ROD END		RHT M14x1,5
0295796	39008084	TESTA STERZO TIE ROD END		RHT M14x1,5
0405798	39021472 *	SNODO SOSPENSIONE SUSPENSION JOINT		
0585800	39001004	STABILIZZATORE STABILIZER LINK		
0595800	39001003	STABILIZZATORE STABILIZER LINK		
0605797	13464344 *	SNODO ASSIALE AXIAL JOINT		RHT M14x1,5
0785799	39021473	BRACCIO OSCILLANTE - INFERIORE TRACK CONTROL ARM - LOWER		
0795799	39021472	BRACCIO OSCILLANTE - INFERIORE TRACK CONTROL ARM - LOWER		
1216322	39001027	SILENTBLOCK ESTREMO OUTER BUSHING		
1216323	39021474	SILENTBLOCK CENTRALE CENTRAL BUSHING		
1216324	402027	SILENTBLOCK BUSHING	1)	
1216325	402071	SILENTBLOCK BUSHING	2)	

DESTRO
RIGHT



SINISTRO
LEFT

BEDFORD BLITZ	CF97	1969 >
---------------	------	--------

Asse Anteriore

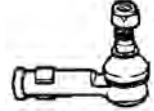


Front Axle

0280787



0280787



OCAP	O.E.			
0280787	324114	TESTA STERZO TIE ROD END		RHT M=5/8" x 18

DESTRO
RIGHT



SINISTRO
LEFT

CORSA	A	1982 > 1993
-------	---	-------------

Asse Anteriore



Front Axle



i 1) CON SNODO - WITH BALL JOINT	2) SENZA SNODO - WITHOUT BALL JOINT
---	-------------------------------------

OCAP	O.E.		i	
0280750	324050	TESTA STERZO TIE ROD END		RHT M12x1,5
0400752	1603128	SNODO SOSPENSIONE SUSPENSION JOINT		
0600751	322149	SNODO ASSIALE AXIAL JOINT		RHT M12x1,5
0781242	352044	BRACCIO OSCILLANTE TRACK CONTROL ARM	2)	
0781244	352044 **	BRACCIO OSCILLANTE TRACK CONTROL ARM	1)	
0791242	352043	BRACCIO OSCILLANTE TRACK CONTROL ARM	2)	
0791244	352043 **	BRACCIO OSCILLANTE TRACK CONTROL ARM	1)	
0901088	350376	KIT BARRA STABILIZZATRICE STABILIZING BAR KIT		DIAM. 16 mm.
0901604	902827	KIT CUFFIE STERZO STEERING GAITER KIT		
1211107	902827 *	CUFFIA STERZO STEERING GAITER		
1215400	350109	BOCCOLA BARRA STABILIZZATRICE STABILIZING BAR BUSHING		DIAM. 16 mm.
1215496	352327	SILENTBLOCK BUSHING		
1249258	350376	STAFFA BARRA STABILIZZATRICE BRACKET FOR STABILIZING BAR		DIAM. 16 mm.

DESTRO
RIGHT



SINISTRO
LEFT

CORSA
TIGRA

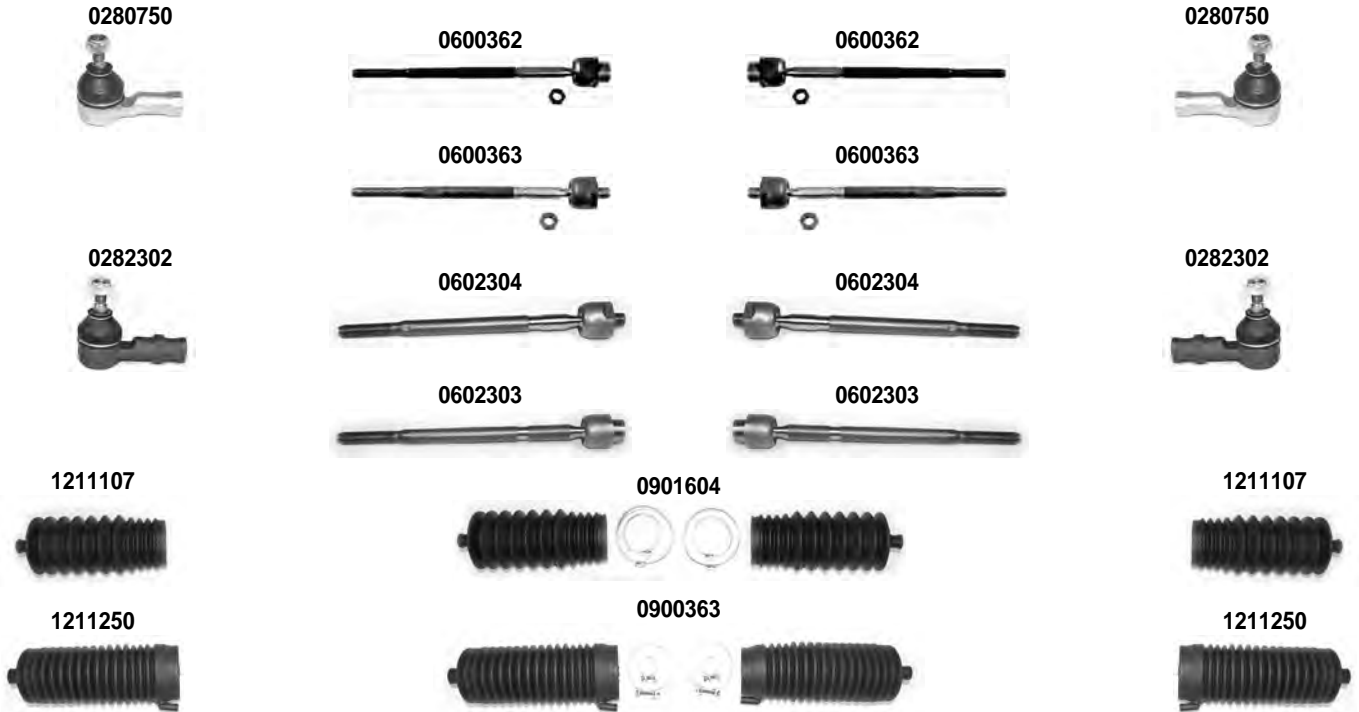
B

1993 > 1997
1994 > 1997

Asse Anteriore



Front Axle



i	1) STERZO MANUALE - EMANUAL STEERING	2) SERVOSTERZO - POWER STEERING
	3) STERZO IDRAULICO/MECCANICO - HYDRAULIC/MECHANICAL STEERING	4) STERZO IDRAULICO - HYDRAULIC STEERING
	5) STERZO MECCANICO - MECHANICAL STEERING	6) SOLO PER BRASILE - ONLY FOR BRAZIL

OCAP	O.E.		i	
0280750	324050	TIE ROD END		RHT M12x1,5
0282302	93296756	TIE ROD END	3)6)	RHT M14x1,5
0600362	322155	AXIAL JOINT	1)	RHT M12x1,5
0600363	322158	AXIAL JOINT	2)	RHT M12x1,5
0602303	93296754	AXIAL JOINT	5)6)	RHT M14x1,5
0602304	93296755	AXIAL JOINT	4)6)	RHT M14x1,5
0900363	1609087	STEERING GAITER KIT	2)	
0901604	902827	STEERING GAITER KIT	1)	
1211107	902827 Z	STEERING GAITER	1)	
1211250	900285	STEERING GAITER	2)	

DESTRO
RIGHT



SINISTRO
LEFT

CORSA TIGRA	B	1993 > 1997 1994 > 1997
------------------------	---	----------------------------

Asse Anteriore



Front Axle



i 7) CON SNODO - WITH BALL JOINT	8) SENZA SNODO - WITHOUT BALL JOINT
---	--

OCAP	O.E.		i	
0400752	1603187	SNODO SOSPENSIONE SUSPENSION JOINT		
0780365	352002	BRACCIO OSCILLANTE TRACK CONTROL ARM	8)	
0780366	352002 **	BRACCIO OSCILLANTE TRACK CONTROL ARM	7)	
0790365	352003	BRACCIO OSCILLANTE TRACK CONTROL ARM	8)	
0790366	352003 **	BRACCIO OSCILLANTE TRACK CONTROL ARM	7)	
1215125	352301	SILENTBLOCK BUSHING		
1215401	350127	BOCCOLA BARRA STABILIZZATRICE STABILIZING BAR BUSHING		DIAM. 21,5 mm.

DESTRO
RIGHT



SINISTRO
LEFT

CORSA
TIGRA

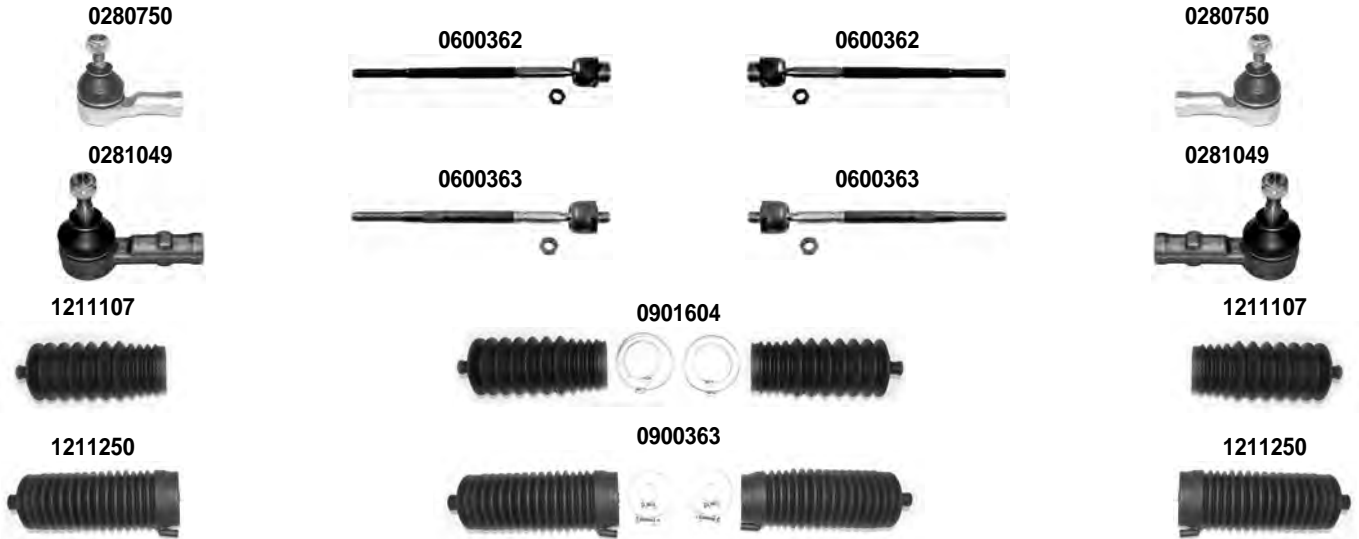
B
A

1997 > 2000
1997 > 2000

Asse Anteriore



Front Axle



i 1) STERZO MANUALE - MANUAL STEERING
3) SERVOSTERZO - POWER STEERING

2) SERVOSTERZO - POWER STEERING - ESCLUSO MOD. 1.000 - EXCEPT MOD. 1.000

OCAP	O.E.		i	
0280750	324050	TESTA STERZO TIE ROD END	1)	RHT M12x1,5
0281049	324066	TESTA STERZO TIE ROD END	2)	RHT M12x1,5
0600362	322155	SNODO ASSIALE AXIAL JOINT	1)	RHT M12x1,5
0600363	322158	SNODO ASSIALE AXIAL JOINT	2)	RHT M12x1,5
0900363	1609087	KIT CUFFIE STERZO STEERING GAITER KIT	3)	
0901604	902827	KIT CUFFIE STERZO STEERING GAITER KIT	1)	
1211107	902827 *	CUFFIA STERZO STEERING GAITER	1)	
1211250	900285	CUFFIA STERZO STEERING GAITER	3)	

DESTRO
RIGHT



SINISTRO
LEFT

CORSA TIGRA	B A	1997 > 2000 1997 > 2000
----------------	--------	----------------------------

Asse Anteriore



Front Axle



i 4) CON SNODO - WITH BALL JOINT	5) SENZA SNODO - WITHOUT BALL JOINT
---	-------------------------------------

OCAP	O.E.		i	
0400395	1603202	SNODO SOSPENSIONE - CON KIT SUSPENSION JOINT - WITH KIT		
0781049	5352012	BRACCIO OSCILLANTE - SENZA SNODO TRACK CONTROL ARM - WITHOUT SUSPENSION JOINT	5)	
0781050	5352012 *	BRACCIO OSCILLANTE - CON SNODO TRACK CONTROL ARM - WITH SUSPENSION JOINT	4)	
0791049	5352011	BRACCIO OSCILLANTE - SENZA SNODO TRACK CONTROL ARM - WITHOUT SUSPENSION JOINT	5)	
0791050	5352011 *	BRACCIO OSCILLANTE - CON SNODO TRACK CONTROL ARM - WITH SUSPENSION JOINT	4)	
1215125	352301	SILENTBLOCK BUSHING		

DESTRO
RIGHT



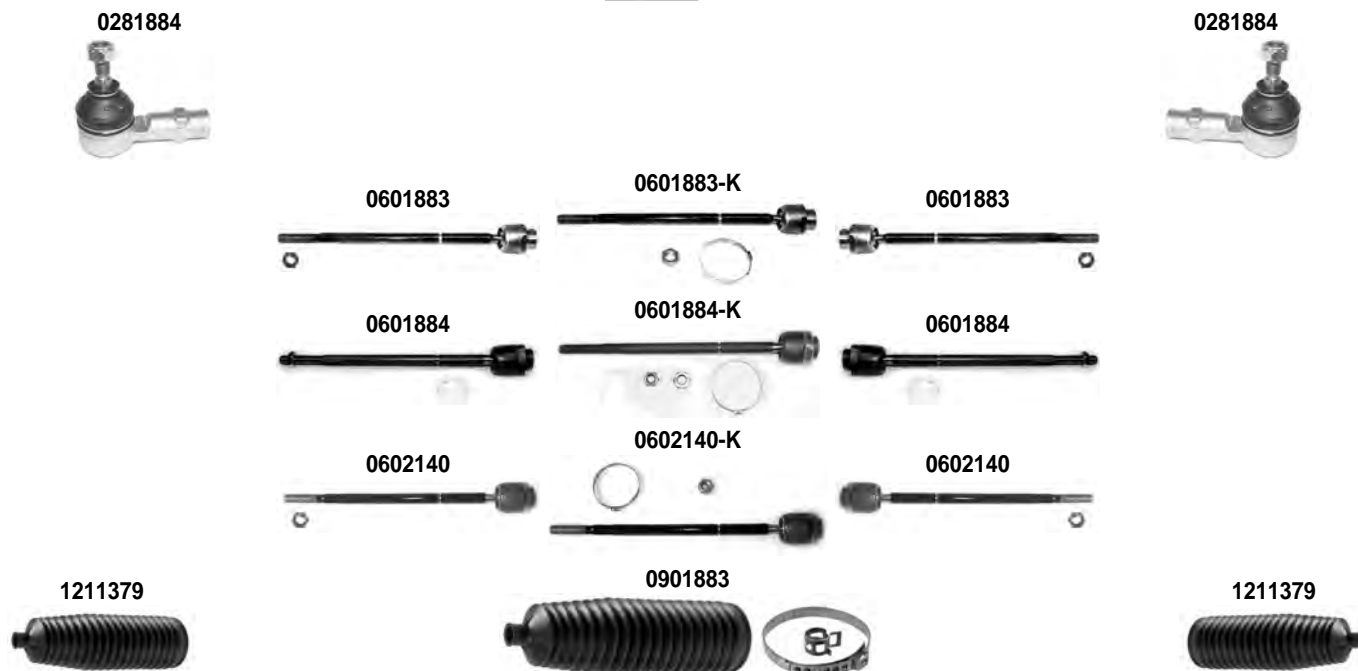
SINISTRO
LEFT

CORSA COMBO TIGRA	C	2000 > 2006
	B	2001 > 2006 06/2004 >

Asse Anteriore



Front Axle



i	1) > ch. 33999999,34999999,38999999 - ECCE TIGRA - EXCEPT TIGRA	2) ch. 43000001,44000001,46000001 > - ECCE TIGRA - EXCEPT TIGRA
	3) SOLO PER - ONLY FOR TIGRA	

OCAP	O.E.		i	
0281884	1603009	TESTA STERZO TIE ROD END		RHT M12x1,5
0601883	1603008 *	SNODO ASSIALE AXIAL JOINT	1)	RHT M12x1,5
0601884	1603017 *	SNODO ASSIALE AXIAL JOINT	2)	RHT M12x1,5
0602140	1603018 *	SNODO ASSIALE AXIAL JOINT	3)	RHT M12x1,5
0901883	1609121	KIT CUFFIA STERZO STEERING GAITER KIT		
1211379	1609121 *	CUFFIA STERZO STEERING GAITER		
0601883-K	1603008	KIT SNODO ASSIALE AXIAL JOINT KIT	1)	RHT M12x1,5
0601884-K	1603017	KIT SNODO ASSIALE AXIAL JOINT KIT	2)	RHT M12x1,5
0602140-K	1603018	KIT SNODO ASSIALE AXIAL JOINT KIT	3)	RHT M12x1,5

DESTRO
RIGHT



SINISTRO
LEFT

CORSA COMBO TIGRA	C	2000 > 2006
	B	2001 > 2006 06/2004 >

Asse Anteriore



Front Axle



i 4) ECCE TTO COMBO PACKAGE STRADE DISSESTATE - EXCEPT COMBO PACKAGE UNEVEN ROAD SURFACE

OCAP	O.E.		i	
0401885	352803	SNODO SOSPENSIONE BALL JOINT		
0501690	350610	STABILIZZATORE STABILIZER LINK		
0781885	352063	BRACCIO OSCILLANTE TRACK CONTROL ARM		
0791885	352041	BRACCIO OSCILLANTE TRACK CONTROL ARM		
0901885	352309	SUPPORTO BRACCIO OSCILLANTE CONTROL ARM SUPPORT		
1214098	350130	SILENTBLOCK BARRA STABILIZZATRICE STABILIZING BAR BUSHING		DIAM. 16 mm.
1214111	350104	SILENTBLOCK BARRA STABILIZZATRICE STABILIZING BAR BUSHING		DIAM. 15 mm.
1214245	350161	SILENTBLOCK BARRA STABILIZZATRICE STABILIZING BAR BUSHING		DIAM. 21 mm.
1215577	352309 *	SILENTBLOCK SUPPORTO SUPPORT BUSHING	4)	
1215578	352310	SILENTBLOCK ESTREMO OUTER BUSHING		

DESTRO
RIGHT



SINISTRO
LEFT

CORSA
CORSA

D
E

2006 >2014
09/2014 >

Asse Anteriore



Front Axle



OCAP	O.E.		
0282356	1603545	TESTA STERZO TIE ROD END	RHT M14x1,5
0292356	1603544	TESTA STERZO TIE ROD END	RHT M14x1,5
0402357	352087	SNODO SOSPENSIONE BALL JOINT	
0501681	350616	STABILIZZATORE STABILIZER LINK	
0602583	1603543 *	SNODO ASSIALE AXIAL JOINT	RHT M14x1,5
0782587	5352038	BRACCIO OSCILLANTE TRACK CONTROL ARM	
0792587	5352039	BRACCIO OSCILLANTE TRACK CONTROL ARM	
0902586	1609347	KIT CUFFIA STERZO STEERING GAITER KIT	
1215560	352380	SILENTBLOCK CENTRALE CENTRAL BUSHING	
1215813	352864	SILENTBLOCK ESTREMO OUTER BUSHING	
0602583-K	1603543	KIT SNODO ASSIALE AXIAL JOINT KIT	RHT M14x1,5

DESTRO
RIGHT



SINISTRO
LEFT

**FRONTERA - MONTEREY
CAMPO**

A
TF

1991 > 1998
08/1991 >

Asse Anteriore



Front Axle

0281422



0291422



0401423



0401424



0401424-K



0401424-K



0401424



0401423



0403892



0783892



0793892



0403892



0583895



0593895



i 1) SOLO PER - ONLY FOR CAMPO

OCAP	O.E.		i	
0281422	920373	TESTA STERZO TIE ROD END		RHT M14x1,5
0291422	920374	TESTA STERZO TIE ROD END		LHT M14x1,5
0401423	310821	SNODO SOSPENSIONE SUPERIORE SUSPENSION JOINT - UPPER		
0401424	352828	SNODO SOSPENSIONE - INFERIORE BALL JOINT - LOWER		
0403892	4302209	SNODO SOSPENSIONE INFERIORE SUSPENSION JOINT - LOWER	1)	
0583895	350608	STABILIZZATORE STABILIZER LINK		
0593895	350607	STABILIZZATORE STABILIZER LINK		
0783892	4302207	BRACCIO OSCILLANTE - INFERIORE TRACK CONTROL ARM - LOWER	1)	
0793892	4302208	BRACCIO OSCILLANTE - INFERIORE TRACK CONTROL ARM - LOWER	1)	
0401424-K	352828 *	KIT SNODO SOSPENSIONE - INFERIORE BALL JOINT KIT - LOWER		

DESTRO
RIGHT



SINISTRO
LEFT

FRONTERA - MONTEREY

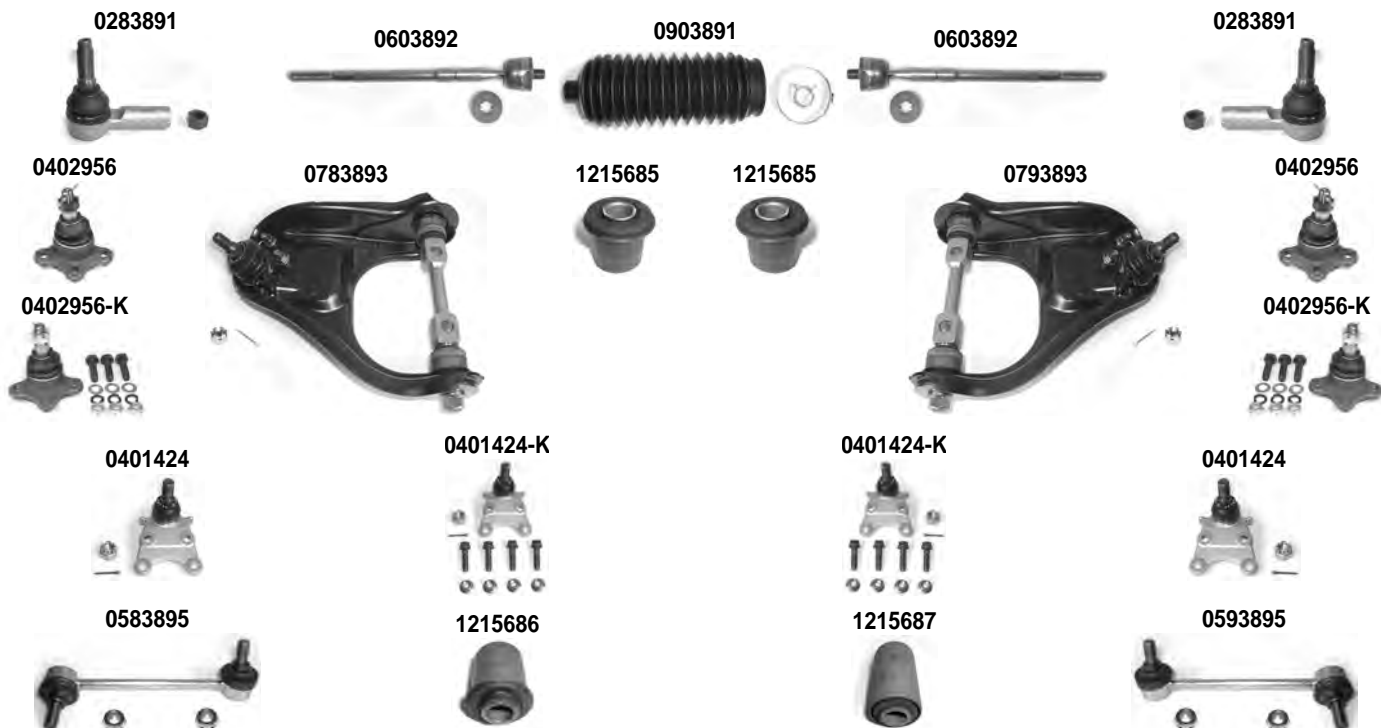
B

1998 >

Asse Anteriore



Front Axle



OCAP	O.E.			
0283891	900907	TESTA STERZO TIE ROD END		RHT M14x1,5
0401424	352828	SNODO SOSPENSIONE - INFERIORE BALL JOINT - LOWER		
0402956	310823	SNODO SOSPENSIONE SUPERIORE UPPER SUSPENSION JOINT		
0583895	350608	STABILIZZATORE STABILIZER LINK		
0593895	350607	STABILIZZATORE STABILIZER LINK		
0603892	900905	SNODO ASSIALE AXIAL JOINT		RHT M14x1,5
0783893	301017	BRACCIO OSCILLANTE SUPERIORE UPPER TRACK CONTROL ARM		
0793893	301019	BRACCIO OSCILLANTE SUPERIORE UPPER TRACK CONTROL ARM		
0903891	900906	KIT CUFFIA STERZO STEERING GAITER KIT		
1215685	302292	SILENTBLOCK BRACCIO SUPERIORE CONTROL ARM UPPER BUSHING		
1215686	302293	SILENTBLOCK BRACCIO INFERIORE LOWER CONTROL ARM BUSHING		
1215687	302294	SILENTBLOCK BRACCIO INFERIORE LOWER CONTROL ARM BUSHING		
0401424-K	352828 *	KIT SNODO SOSPENSIONE - INFERIORE BALL JOINT KIT - LOWER		
0402956-K	310823 *	KIT SNODO SOSPENSIONE SUPERIORE UPPER SUSPENSION JOINT KIT		

DESTRO
RIGHT



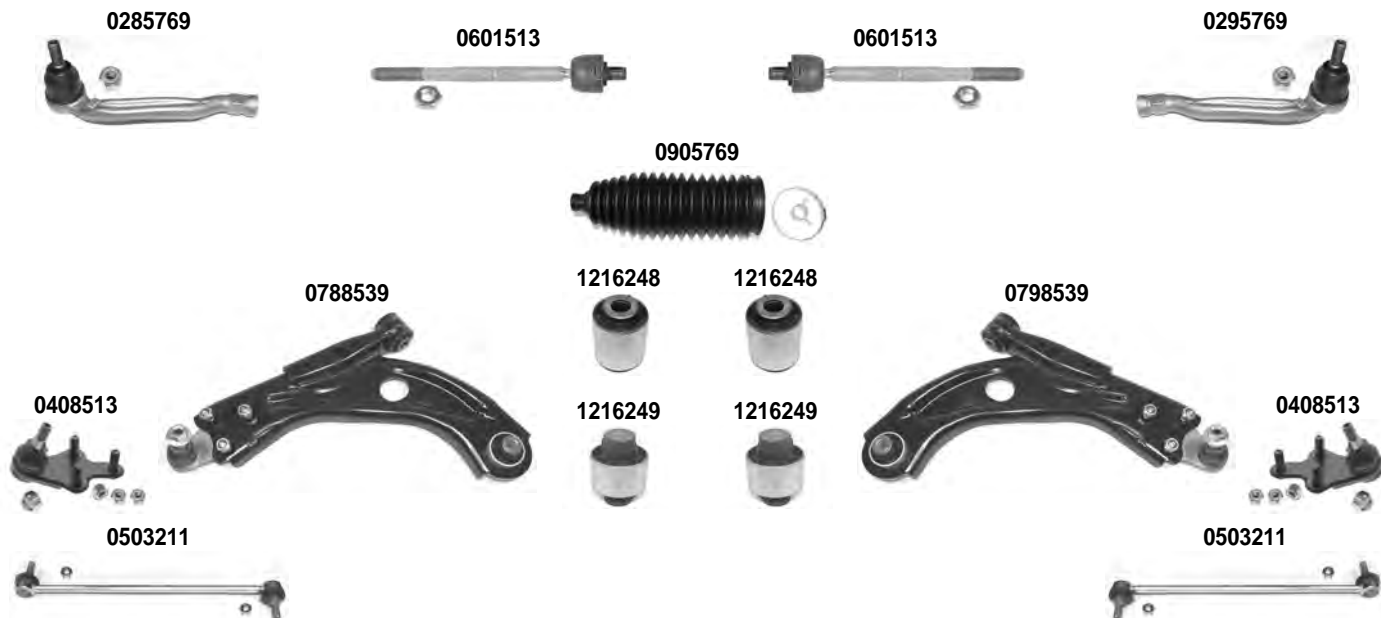
SINISTRO
LEFT

GRANDLAND X

06/2017 >

Asse Anteriore

Front Axle



OCAP	O.E.			
0285769	39176184 *	TESTA STERZO TIE ROD END		RHT M14x1,5
0295769	39176185 *	TESTA STERZO TIE ROD END		RHT M14x1,5
0408513	3637430	SNODO SOSPENSIONE - INFERIORE BALL JOINT - LOWER		
0503211	3637393	STABILIZZATORE STABILIZER LINK		
0601513	39176184 **	SNODO ASSIALE AXIAL JOINT		RHT M14x1,5
0788539	3646247	BRACCIO OSCILLANTE - INFERIORE - LAMIERA TRACK CONTROL ARM - LOWER - STEEL PLATE		
0798539	3646272	BRACCIO OSCILLANTE - INFERIORE - LAMIERA TRACK CONTROL ARM - LOWER - STEEL PLATE		
0905769	1610817580	KIT CUFFIE STERZO STEERING GAITER KIT		
1216248	3637432	SILENTBLOCK CENTRALE CENTRAL BUSHING		
1216249	3644790	SILENTBLOCK ESTREMO OUTER BUSHING		

DESTRO
RIGHT



SINISTRO
LEFT

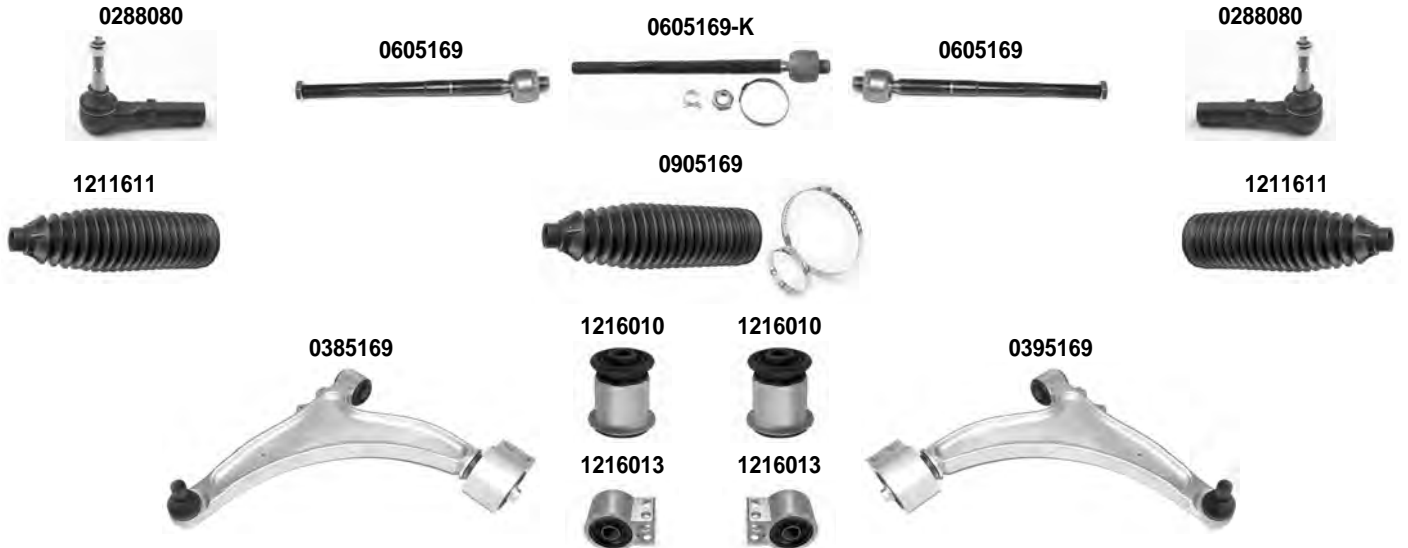
INSIGNIA
INSIGNIA SPORTS TOURER

07/2008 >
07/2008 >

Asse Anteriore



Front Axle



i 1) SERVOSTERZO IDRAULICO - HYDRAULIC POWER STEERING

OCAP	O.E.		i	
0288080	6606031	TESTA STERZO TIE ROD END		RHT M16x1,5
0385169	352071	BRACCIO OSCILLANTE - INFERIORE - ALLUMINIO TRACK CONTROL ARM - LOWER - ALUMINIUM		
0395169	352050	BRACCIO OSCILLANTE - INFERIORE - ALLUMINIO TRACK CONTROL ARM - LOWER - ALUMINIUM		
0605169	6606030 *	SNODO ASSIALE AXIAL JOINT	1)	RHT M16x1,5
0905169	1609357	KIT CUFFIA STERZO STEERING GAITER KIT		
1211611	1609357 *	CUFFIA STERZO STEERING GAITER		
1216010	352866	SILENTBLOCK CENTRALE CENTRAL BUSHING		
1216013	352868	SILENTBLOCK ESTREMO OUTER BUSHING		
0605169-K	6606030	SNODO ASSIALE CON KIT AXIAL JOINT KIT	1)	RHT M16x1,5

DESTRO
RIGHT



SINISTRO
LEFT

INSIGNIA
INSIGNIA SPORTS TOURER

07/2008 >
07/2008 >

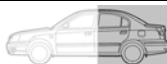
Asse Anteriore



Front Axle



Asse Posteriore



Rear Axle



i 2) PER MODELLI SENZA FLEXRIDE - RESINA - EXCEPT FLEXRIDE MODELS - RESIN 3) PER MODELLI CON FLEXRIDE - FOR FLEXRIDE MODELS

OCAP	O.E.		i	
0385170	423071	BRACCIO OSCILLANTE TRACK CONTROL ARM		
0395170	423073	BRACCIO OSCILLANTE TRACK CONTROL ARM		
0505167	350618	STABILIZZATORE STABILIZER LINK	3)	
0505168	350617	STABILIZZATORE STABILIZER LINK	2)	
0505170	444081	STABILIZZATORE STABILIZER LINK		
1216014	423552	SILENTBLOCK BUSHING		
1216015	423551	SILENTBLOCK BUSHING		

DESTRO
RIGHT



SINISTRO
LEFT

KADETT KADETT - OLIMPIA KADETT - OLIMPIA	A	1962 > 1965
	B I	
	B II	1966 >

Asse Anteriore



Front Axle

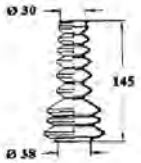
0184010



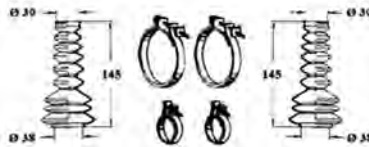
0184010



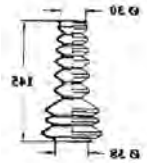
1211104



0901601



1211104



OCAP	O.E.		
0184010	324101	TESTA STERZO TIE ROD END	RHT M14x1,5
0901601	322502 *	KIT CUFFIA STERZO STEERING GAITER KIT	
1211104	322502	CUFFIA STERZO STEERING GAITER	

KADETT - 1.0 - 1.2 - CITY

DESTRO
RIGHT



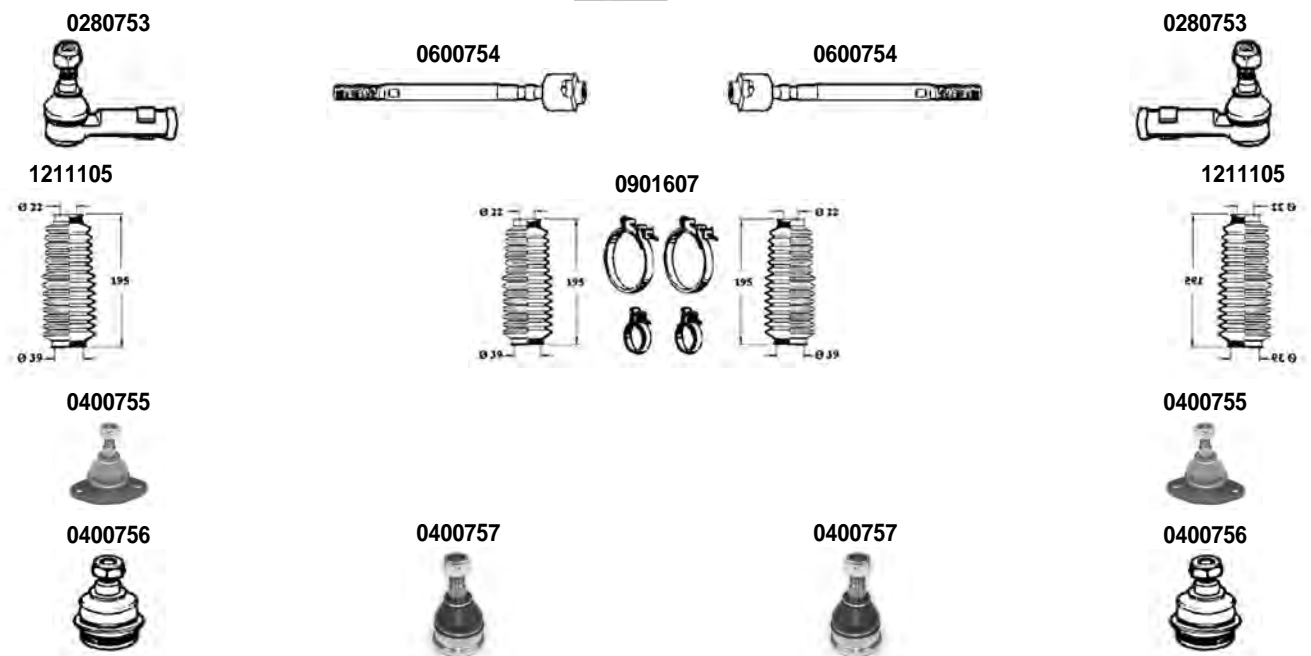
SINISTRO
LEFT

KADETT - 1.0 - 1.2 - CITY	C	1973 >
---------------------------	---	--------

Asse Anteriore



Front Axle



i 1) MOD. KADETT C - CITY 1.6S-1.9E-2.0E

OCAP	O.E.		i	
0280753	324115	TESTA STERZO TIE ROD END		RHT M14x1,5
0400755	310816	SNODO SOSPENSIONE SUPERIORE SUSPENSION JOINT - UPPER		
0400756	352817	SNODO SOSPENSIONE INFERIORE SUSPENSION JOINT - LOWER		
0400757	352812	SNODO SOSPENSIONE INFERIORE SUSPENSION JOINT - LOWER	1)	
0600754	322120	SNODO ASSIALE AXIAL JOINT		RHT M14x1,5
0901607	322506 *	KIT CUFFIE STERZO STEERING GAITER KIT		
1211105	322506	CUFFIA STERZO STEERING GAITER		

DESTRO
RIGHT

 SINISTRO
LEFT

 KADETT - > CH. 5000090
KADETT - > CH. 2500000

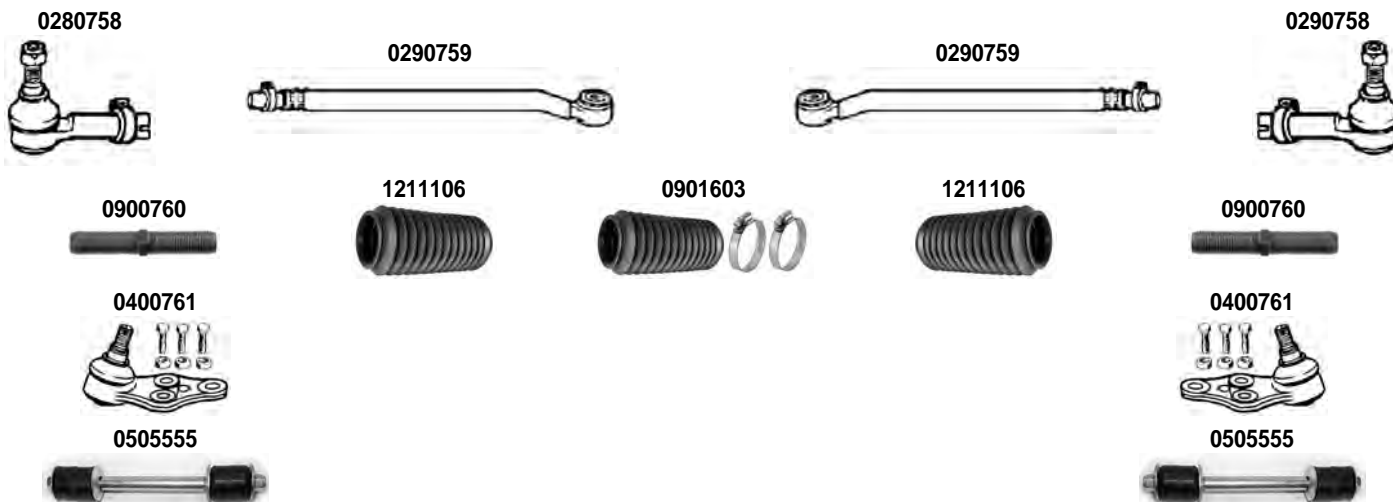
D

1979 > 08/1981

Asse Anteriore



Front Axle



OCAP	O.E.			
0280758	324037	TESTA STERZO TIE ROD END		RHT M16x1,5
0290758	324036	TESTA STERZO TIE ROD END		RHT M16x1,5
0290759	322122	TESTA STERZO TIE ROD END		LHT M16x1,5
0400761	1603115	SNODO SOSPENSIONE SUSPENSION JOINT		
0505555	1603148	STABILIZZATORE STABILIZER LINK		
0900760	322575	GIUNTO COLLEGAMENTO ADJUSTMENT BOLT		
0901603	902828 *	KIT CUFFIE STERZO STEERING GAITER KIT		
1211106	902828	CUFFIA STERZO STEERING GAITER		

KADETT - CH. 5000091 >

DESTRO
RIGHT



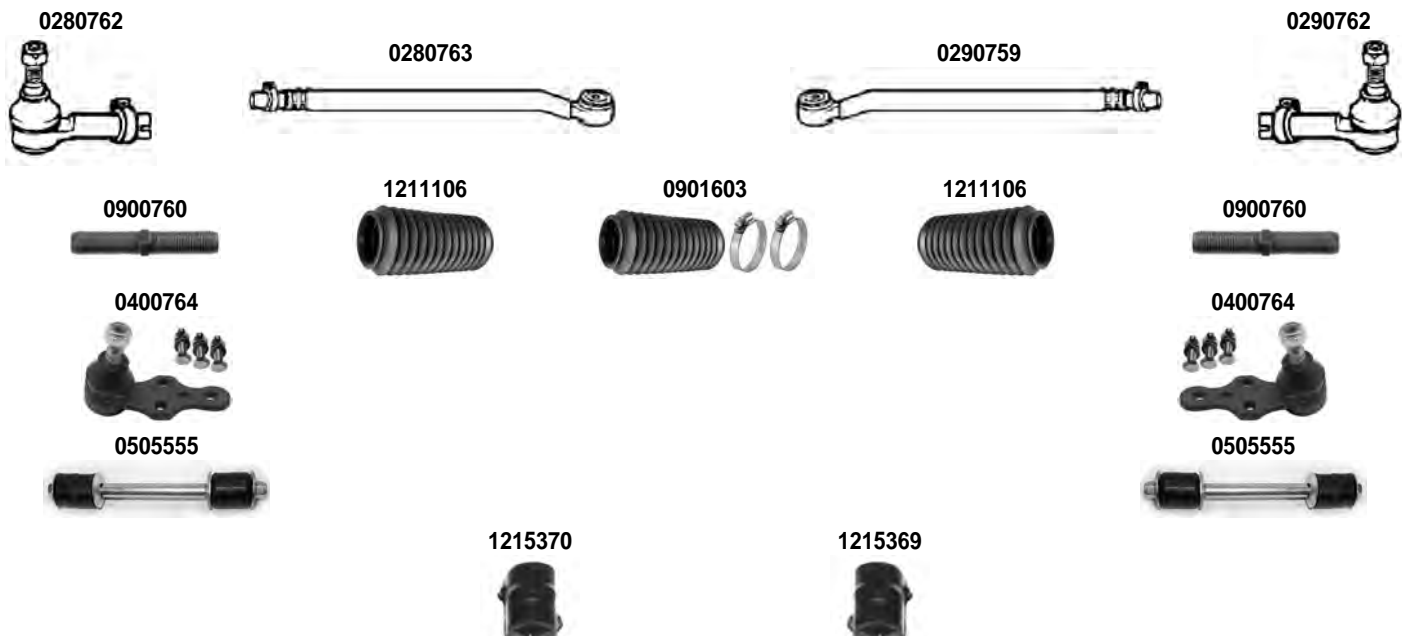
SINISTRO
LEFT

KADETT - CH. 5000091 > KADETT - CH. 2500001 >	D	09/1981 > 1984
--	---	----------------

Asse Anteriore



Front Axle



OCAP	O.E.		
0280762	324041	TESTA STERZO TIE ROD END	LHT M16x1,5
0280763	322124	TESTA STERZO TIE ROD END	RHT M16x1,5
0290759	322122	TESTA STERZO TIE ROD END	LHT M16x1,5
0290762	324040	TESTA STERZO TIE ROD END	RHT M16x1,5
0400764	1603120	SNODO SOSPENSIONE SUSPENSION JOINT	
0505555	1603148	STABILIZZATORE STABILIZER LINK	
0900760	322575	GIUNTO COLLEGAMENTO ADJUSTMENT BOLT	
0901603	902828 *	KIT CUFFIE STERZO STEERING GAITER KIT	
1211106	902828	CUFFIA STERZO STEERING GAITER	
1215369	350112	BOCCOLA BARRA STABILIZZATRICE STABILIZING BAR BUSHING	DIAM. 17,5 mm.
1215370	350113	BOCCOLA BARRA STABILIZZATRICE STABILIZING BAR BUSHING	DIAM. 20 mm.

DESTRO
RIGHT



SINISTRO
LEFT

KADETT

E

1984 >

Asse Anteriore



Front Axle



OCAP	O.E.		
0280771	324038	TESTA STERZO TIE ROD END	LHT M16x1,5
0280772	322126	TESTA STERZO TIE ROD END	RHT M16x1,5
0290771	324039	TESTA STERZO TIE ROD END	RHT M16x1,5
0290772	322125	TESTA STERZO TIE ROD END	LHT M16x1,5
0400764	1603164	SNODO SOSPENSIONE SUSPENSION JOINT	
0505555	1603148	STABILIZZATORE STABILIZER LINK	
0781243	352124 **	BRACCIO OSCILLANTE - SENZA SNODO TRACK CONTROL ARM - WITHOUT BALL JOINT	
0781245	352124	BRACCIO OSCILLANTE - COMPLETO COMPLETE TRACK CONTROL ARM	
0791243	352123 **	BRACCIO OSCILLANTE - SENZA SNODO TRACK CONTROL ARM - WITHOUT BALL JOINT	
0791245	352123	BRACCIO OSCILLANTE - COMPLETO COMPLETE TRACK CONTROL ARM	
0900760	322575	GIUNTO COLLEGAMENTO ADJUSTMENT BOLT	
0901603	902828 *	KIT CUFFIE STERZO STEERING GAITER KIT	
1211106	902828	CUFFIA STERZO STEERING GAITER	
1215126	352334	SILENTBLOCK CENTRALE CENTRAL BUSHING	
1215127	352338	SILENTBLOCK ESTREMO OUTER BUSHING	

DESTRO
RIGHT



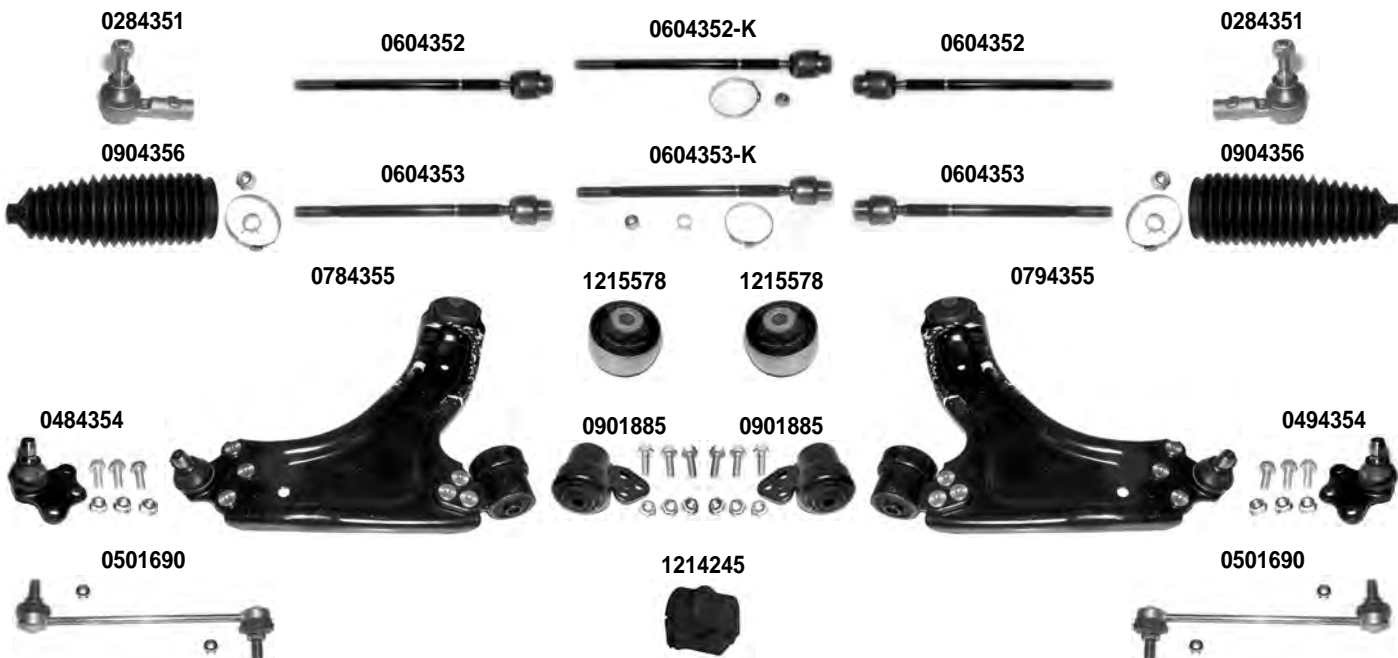
SINISTRO
LEFT

MERIVA

05/2003 >

Asse Anteriore

Front Axle



i 1) SERVISTERZO - POWER STEERING 2) STERZO MANUALE - MANUAL STEERING

OCAP	O.E.		
0284351	1603240	TESTA STERZO TIE ROD END	RHT M14x1,5
0484354	5352026	SNODO SOSPENSIONE BALL JOINT	
0494354	5352025	SNODO SOSPENSIONE BALL JOINT	
0501690	350610	STABILIZZATORE STABILIZER LINK	
0604352	1603016 *	SNODO ASSIALE AXIAL JOINT	1) RHT M14x1,5
0604353	1603239 *	SNODO ASSIALE AXIAL JOINT	2) RHT M14x1,5
0784355	5352028	BRACCIO OSCILLANTE TRACK CONTROL ARM	
0794355	5352027	BRACCIO OSCILLANTE TRACK CONTROL ARM	
0901885	352309	KIT SILENTBLOCK CENTRALE BRACCIO OSCILLANTE CONTROL ARM BUSHING KIT - CENTRAL	
0904356	1603241	KIT CUFFIA STERZO STEERING GAITER KIT	
1214245	350161	SILENTBLOCK BARRA STABILIZZATRICE STABILIZING BAR BUSHING	DIAM. 21 mm.
1215578	352320	SILENTBLOCK ESTREMO BRACCIO OSCILLANTE TRACK CONTROL ARM BUSHING - OUTER	
0604352-K	1603016	KIT SNODO ASSIALE AXIAL JOINT KIT	1) RHT M14x1,5
0604353-K	1603239	KIT SNODO ASSIALE AXIAL JOINT KIT	2) RHT M14x1,5

DESTRO
RIGHT



SINISTRO
LEFT

MERIVA

B

06/2010 >

Asse Anteriore



Front Axle

0284357



0294357



0603139



0603139-K



0603139



0603140



0603140-K



0603140



0903139



i	1) PER VEICOLI SENZA LIMITAZIONE ANGOLO STERZO - FOR VEHICLES WITHOUT STEER ANGLE LIMIT	2) PER VEICOLI CON LIMITAZIONE ANGOLO STERZO - FOR VEHICLES WITH STEER ANGLE LIMIT
	3) STERZO TRW - TRW STEERING	

OCAP	O.E.		i	
0284357	1603257	TESTA STERZO TIE ROD END		RHT M14x1,5
0294357	1603258	TESTA STERZO TIE ROD END		RHT M14x1,5
0603139	1609000 *	SNODO ASSIALE AXIAL JOINT	1)	
0603140	1609011 *	SNODO ASSIALE AXIAL JOINT	2)	
0903139	1609356	KIT CUFFIA STERZO STEERING GAITER KIT	3)	
0603139-K	1609000	KIT SNODO ASSIALE AXIAL JOINT KIT	1)	
0603140-K	1609011	KIT SNODO ASSIALE AXIAL JOINT KIT	2)	

DESTRO
RIGHT



SINISTRO
LEFT

MERIVA	B	06/2010 >
--------	---	-----------

Asse Anteriore



Front Axle



OCAP	O.E.			
0401420	352800	SNODO SOSPENSIONE - INFERIORE BALL JOINT - LOWER		
0503139	350176	STABILIZZATORE STABILIZER LINK		
0784359	5352030	BRACCIO OSCILLANTE - INFERIORE TRACK CONTROL ARM - LOWER		
0794359	5352029	BRACCIO OSCILLANTE - INFERIORE TRACK CONTROL ARM - LOWER		
1215319	352364	SILENTBLOCK CENTRALE CENTRAL BUSHING		
1215722	352324	SILENTBLOCK ESTREMO OUTER BUSHING		

DESTRO
RIGHT

 SINISTRO
LEFT

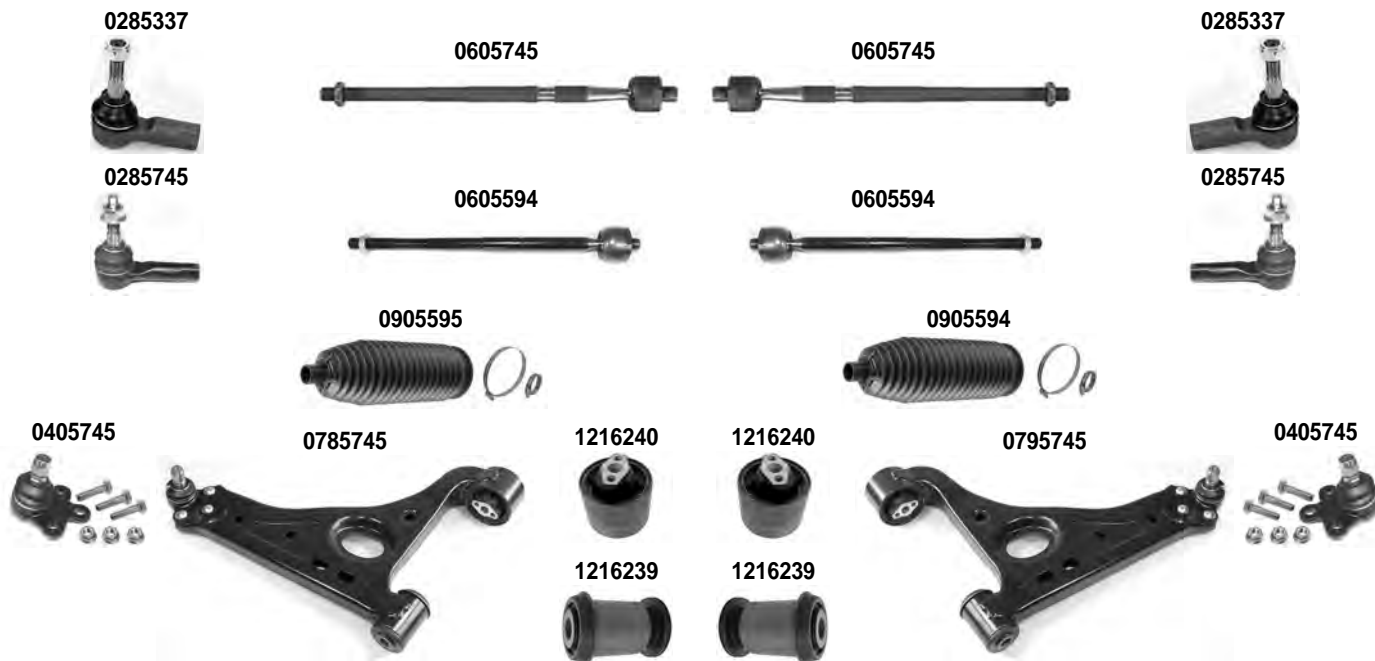
MOKKA - MOKKA X

06/2012 >

Asse Anteriore



Front Axle


i 1) MOD.: CON SERVOSTERZO IDRAULICO - WITH HYDRAULIC POWER STEERING

2) MOD.: CON SERVOSTERZO ELETTRICO - WITH ELECTRIC POWER STEERING

OCAP	O.E.		i	
0285337	4803429	TESTA STERZO TIE ROD END	1)	RHT M14x1,5
0285745	95915222	TESTA STERZO TIE ROD END	2)	RHT M14x1,5
0405745	95916024	SNODO SOSPENSIONE - INFERIORE BALL JOINT - LOWER		
0605594	95952929	SNODO ASSIALE AXIAL JOINT	2)	RHT M14x1,5
0605745	95932789	SNODO ASSIALE AXIAL JOINT	1)	RHT M14x1,5
0785745	352552	BRACCIO OSCILLANTE - INFERIORE TRACK CONTROL ARM - LOWER		
0795745	352551	BRACCIO OSCILLANTE - INFERIORE TRACK CONTROL ARM - LOWER		
0905594	95952928	KIT CUFFIA STERZO STEERING BOOT KIT	2)	
0905595	95218371	KIT CUFFIA STERZO STEERING BOOT KIT	1)	
1216239	352523 *	SILENTBLOCK CENTRALE CENTRAL BUSHING		
1216240	352551 *	SILENTBLOCK ESTREMO OUTER BUSHING		

DESTRO
RIGHT



SINISTRO
LEFT

MOKKA - MOKKA X

06/2012 >

Asse Anteriore



Front Axle



i 3) MOD. FARI ALLO XENON - XENON LIGHT MODELS

OCAP	O.E.		i	
0585745	95942520	STABILIZZATORE STABILIZER LINK		
0595745	95942519	STABILIZZATORE STABILIZER LINK		
0788683	352522	BRACCIO OSCILLANTE - INFERIORE TRACK CONTROL ARM - LOWER	3)	
0795745	352551	BRACCIO OSCILLANTE - INFERIORE TRACK CONTROL ARM - LOWER		
1216239	352523 *	SILENTBLOCK CENTRALE CENTRAL BUSHING		
1216240	352551 *	SILENTBLOCK ESTREMO OUTER BUSHING		

DESTRO
RIGHT



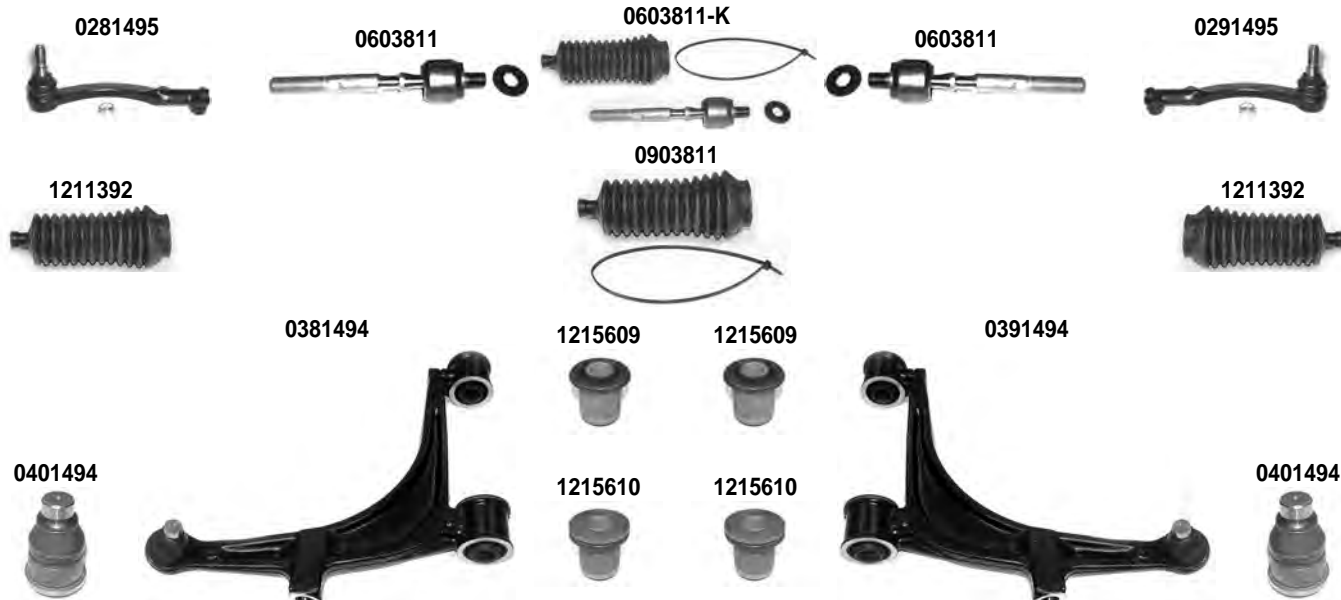
SINISTRO
LEFT

MOVANO

1999 >

Asse Anteriore

Front Axle



i 1) DIAM. PERNO 22 mm. - > 09/2007 - PIN DIAM. 22 mm. - > 09/2007

OCAP	O.E.		i	
0281495	4501263	TESTA STERZO TIE ROD END		M16x1,5 RHT
0291495	4501262	TESTA STERZO TIE ROD END		M16x1,5 RHT
0381494	4404048	BRACCIO OSCILLANTE - INFERIORE TRACK CONTROL ARM - LOWER	1)	
0391494	4500092	BRACCIO OSCILLANTE - INFERIORE TRACK CONTROL ARM - LOWER	1)	
0401494	4500255	SNODO SOSPENSIONE - INFERIORE BALL JOINT - LOWER	1)	
0603811	4501261 *	SNODO ASSIALE AXIAL JOINT		
0903811	4501260	KIT CUFFIA STERZO STEERING GAITER KIT		
1211392	4501260 *	CUFFIA STERZO STEERING GAITER		
1215609	4500094	SILENTBLOCK CENTRALE CENTRAL BUSHING		
1215610	4500095	SILENTBLOCK ESTREMO OUTER BUSHING		
0603811-K	4501261	KIT SNODO ASSIALE KIT AXIAL JOINT		

DESTRO
RIGHT



SINISTRO
LEFT

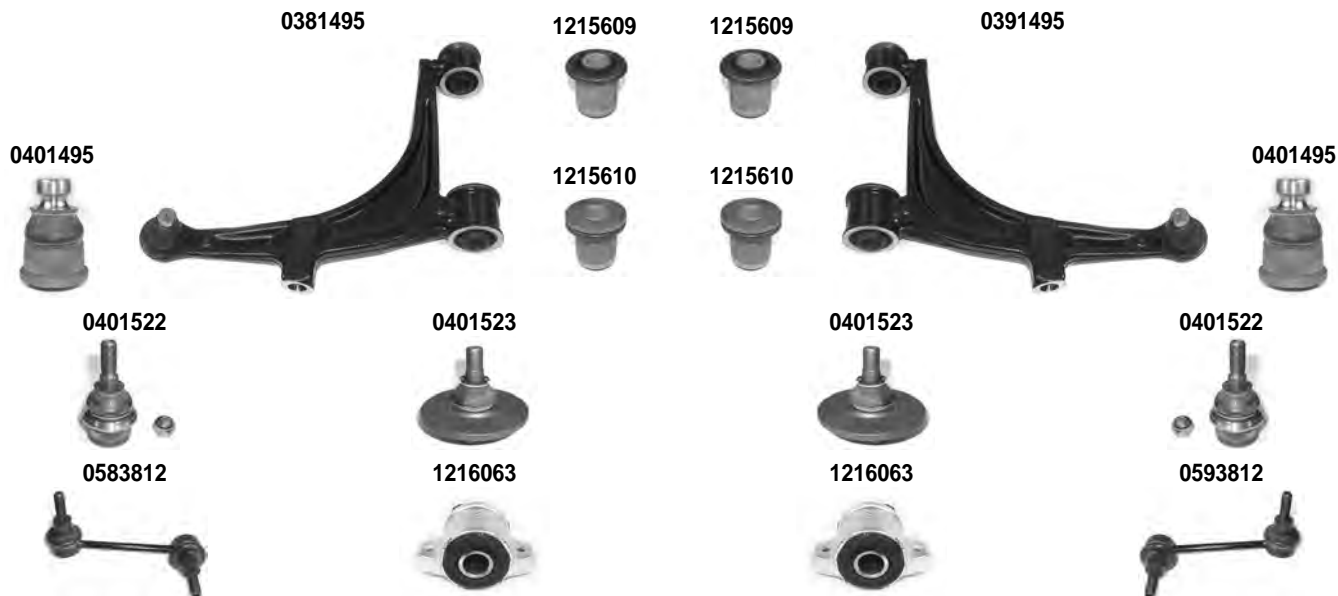
MOVANO

1999 >

Asse Anteriore



Front Axle



i 2) DIAM. PERNO 24 mm. - 10/2007 > - PIN DIAM. 24 mm. - 10/3) LATO ESTERNO - OUTER SIDE
 2007 >
 4) LATO INTERNO - INNER SIDE

OCAP	O.E.		i	
0381495	4418630	BRACCIO OSCILLANTE - INFERIORE TRACK CONTROL ARM - LOWER	2)	
0391495	4418629	BRACCIO OSCILLANTE - INFERIORE TRACK CONTROL ARM - LOWER	2)	
0401495	4418631	SNODO SOSPENSIONE - INFERIORE BALL JOINT - LOWER	2)	
0401522	4500254	SNODO SOSPENSIONE BRACCIO SUPERIORE SUSPENSION JOINT CONTROL ARM UPPER	3)	
0401523	4401910	SNODO SOSPENSIONE BRACCIO SUPERIORE SUSPENSION JOINT CONTROL ARM UPPER	4)	
0583812	4500199	STABILIZZATORE STABILIZER LINK		
0593812	4500198	STABILIZZATORE STABILIZER LINK		
1215609	4500094	SILENTBLOCK CENTRALE CENTRAL BUSHING		
1215610	4500095	SILENTBLOCK ESTREMO OUTER BUSHING		
1216063	4500091	SILENTBLOCK - BRACCIO SUPERIORE CONTROL ARM BUSHING - UPPER		

DESTRO
RIGHT



SINISTRO
LEFT

MOVANO

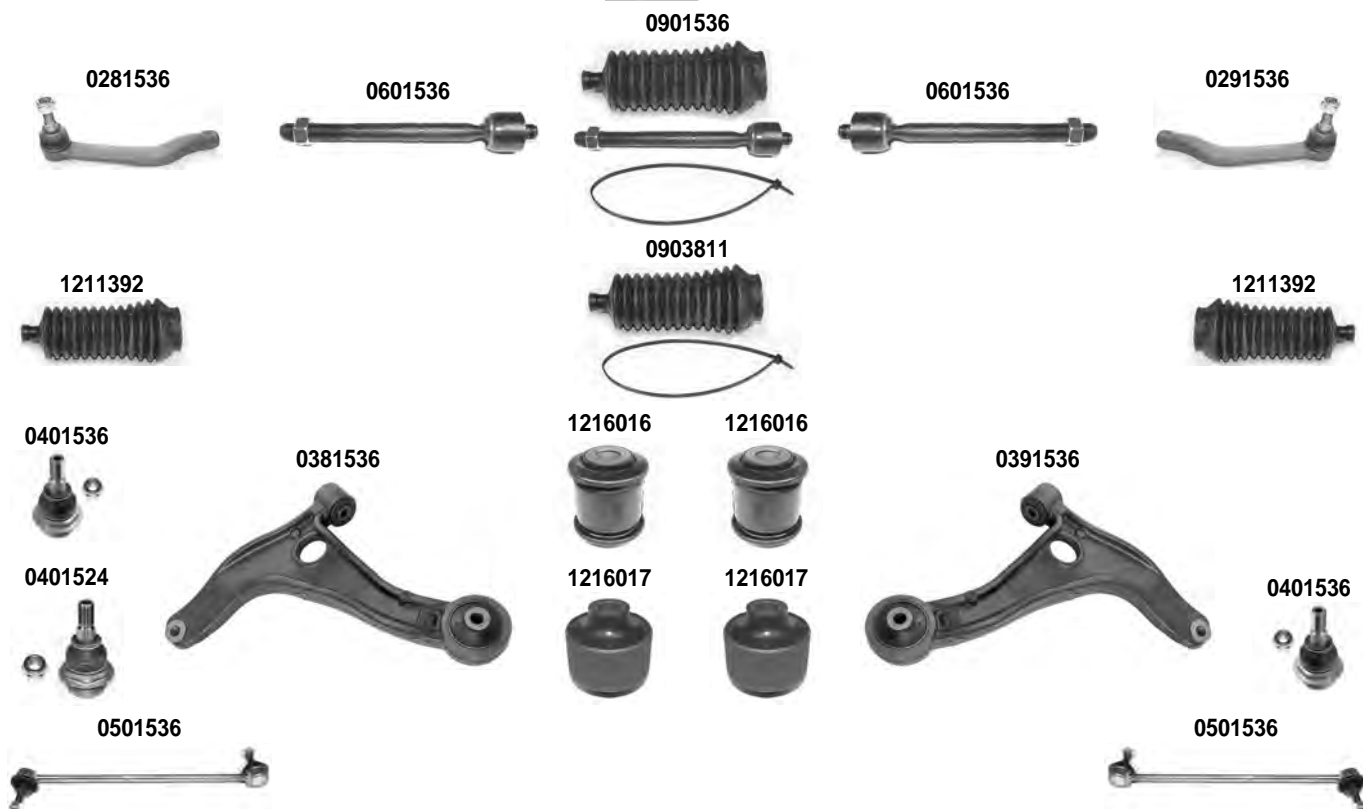
B

05/2010 >

Asse Anteriore



Front Axle



i 1) LATO DX 07/2010 > - RH SIDE 07/2010 >

2) LATO DX-SX > 07/2010 - LATO SX 07/2010 > - RH-LH SIDE > 07/2010 - LH SIDE 07/2010 >

OCAP	O.E.		
0281536	4420098	TESTA STERZO TIE ROD END	RHT M18x1,5
0291536	4420097	TESTA STERZO TIE ROD END	RHT M18x1,5
0381536	4419216	BRACCIO OSCILLANTE - INFERIORE TRACK CONTROL ARM - LOWER	
0391536	4419215	BRACCIO OSCILLANTE - INFERIORE TRACK CONTROL ARM - LOWER	
0401524	4408252	SNODO SOSPENSIONE - INFERIORE BALL JOINT - LOWER	1) LHT M45x1,5
0401536	4419219	SNODO SOSPENSIONE - INFERIORE BALL JOINT - LOWER	2) RHT M45x1,5
0501536	4419291	STABILIZZATORE STABILIZER LINK	
0601536	4420096 *	SNODO ASSIALE AXIAL JOINT	RHT M18x1,5
0901536	4420096	KIT SNODO ASSIALE KIT AXIAL JOINT	RHT M18x1,5
0903811	4501260	KIT CUFFIA STERZO STEERING GAITER KIT	
1211392	4501260 *	CUFFIA STERZO STEERING GAITER	
1216016	4419217 *	SILENTBLOCK CENTRALE CENTRAL BUSHING	
1216017	4419215 *	SILENTBLOCK ESTREMO OUTER BUSHING	

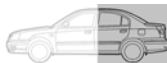
DESTRO
RIGHT



SINISTRO
LEFT

MOVANO	B	05/2010 >
--------	---	-----------

Asse Posteriore



Rear Axle

0501496

0501496



0508881

0508881



i 3) ECCETTO RUOTE GEMELLATE - EXCLUDED TWIN WHEELS	4) CON RUOTE GEMELLATE - WITH TWIN WHEELS
--	---

OCAP	O.E.		i	
0501496	4419304	STABILIZZATORE STABILIZER LINK	3)	L = 106 mm.
0508881	4420954	STABILIZZATORE STABILIZER LINK	4)	L = 166 mm.

DESTRO
RIGHT

 SINISTRO
LEFT

**OMEGA
SENATOR**

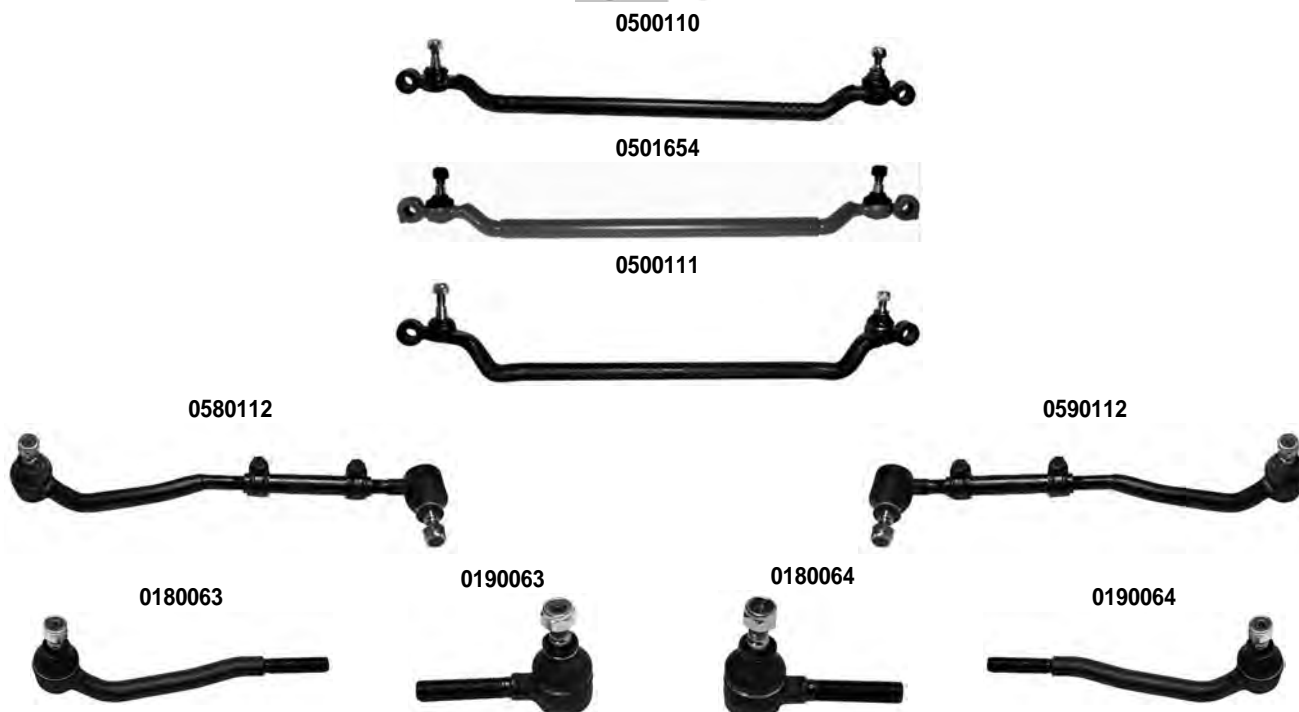
 A
B

 1986 > 05/1994
09/1987 >

Asse Anteriore



Front Axle



i 1) SERVOSTERZO - POWER STEERING	2) MOD. DIESEL - 2.4 BENZINA - MOD. DIESEL - 2.4 PETROL
--	---

OCAP	O.E.		i	
0180063	324049	TESTA STERZO TIE ROD END		LHT M14x1,5
0180064	324046	TESTA STERZO TIE ROD END		LHT M14x1,5
0190063	324047	TESTA STERZO TIE ROD END		RHT M14x1,5
0190064	324048	TESTA STERZO TIE ROD END		RHT M14x1,5
0500110	322148	BARRA STERZO - L H D TIE ROD - L H D	1)	
0500111	322145	BARRA STERZO - L H D TIE ROD - L H D	2)	
0501654	322141	BARRA STERZO - R H D TIE ROD - R H D	1)	
0580112	322174	BARRA STERZO TIE ROD		
0590112	322173	BARRA STERZO TIE ROD		

DESTRO
RIGHT



SINISTRO
LEFT

**OMEGA
SENATOR**

A
B

1986 > 05/1994
09/1987 >

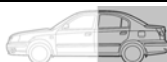
Asse Anteriore



Front Axle



Asse Posteriore



Rear Axle



OCAP	O.E.			
0480113	352827	SNODO SOSPENSIONE SUSPENSION JOINT		
0490113	352826	SNODO SOSPENSIONE SUSPENSION JOINT		
0500114	350604	STABILIZZATORE STABILIZER LINK		
0780113	352136	BRACCIO OSCILLANTE - COMPLETO COMPLETE TRACK CONTROL ARM		
0790113	352135	BRACCIO OSCILLANTE - COMPLETO COMPLETE TRACK CONTROL ARM		
1214097	444199	SILENTBLOCK BARRA STABILIZZATRICE STABILIZING BAR BUSHING		DIAM. 14 mm.
1214242	350116	SILENTBLOCK BARRA STABILIZZATRICE STABILIZING BAR BUSHING		DIAM. 22 mm.
1214243	444336	SILENTBLOCK BARRA STABILIZZATRICE STABILIZING BAR BUSHING		DIAM. 13 mm.
1215192	352355	SILENTBLOCK ESTREMO OUTER BUSHING		
1215240	352341	SILENTBLOCK CENTRALE CENTRAL BUSHING		

DESTRO
RIGHT

 SINISTRO
LEFT

OMEGA

B

03/1994 > 2003

Asse Anteriore



Front Axle

0501416

0501417

0581418

0591418

0191418

0190063

0180064

0181418


OCAP	O.E.			
0180064	324062	BARRA STERZO TIE ROD END		LHT M14x1,5
0181418	324059	TESTA STERZO TIE ROD END		RHT M14x1,5
0190063	324047	TESTA STERZO TIE ROD END		RHT M14x1,5
0191418	324060	TESTA STERZO TIE ROD END		LHT M14x1,5
0501416	322166	BARRA STERZO - L H D TIE ROD		
0501417	322167	BARRA STERZO - R H D TIE ROD		
0581418	322168	BARRA STERZO TIE ROD		
0591418	322169	BARRA STERZO TIE ROD		

DESTRO
RIGHT



SINISTRO
LEFT

OMEGA	B	03/1994 > 2003
--------------	---	----------------

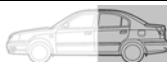
Asse Anteriore



Front Axle



Asse Posteriore



Rear Axle



OCAP	O.E.			
0401420	352829	SNODO SOSPENSIONE SUSPENSION JOINT		
0501421	350600	STABILIZZATORE STABILIZER LINK		
0582134	444288	STABILIZZATORE STABILIZER LINK		
0592134	444289	STABILIZZATORE STABILIZER LINK		
0781428	352028	BRACCIO OSCILLANTE - COMPLETO COMPLETE TRACK CONTROL ARM		
0791428	352029	BRACCIO OSCILLANTE - COMPLETO COMPLETE TRACK CONTROL ARM		
1214244	350147	SILENTBLOCK BARRA STABILIZZATRICE STABILIZING BAR BUSHING		DIAM. 23 mm.
1215522	352302	SILENTBLOCK ESTREMO OUTER BUSHING		
1215523	352303	SILENTBLOCK CENTRALE CENTRAL BUSHING		

DESTRO
RIGHT



SINISTRO
LEFT

REKORD

A - B

1963 > 1966

Asse Anteriore



Front Axle

0180775



0180775



0400775



0400775



OCAP	O.E.			
0180775	324107	TESTA STERZO TIE ROD END		RHT M14x1,5
0400775	310801	SNODO SOSPENSIONE SUPERIORE SUSPENSION JOINT - UPPER		

DESTRO
RIGHT



SINISTRO
LEFT

REKORD COMMODORE - G.M. OPALA	C	1966 > 1972
	A	1966 > 1972

Asse Anteriore



Front Axle

0180775



0180775



0400771



0400771



0400772



0400772



i 1) > 08/1969	2) 09/1969 >
-----------------------	--------------

OCAP	O.E.		i	
0180775	324107	TESTA STERZO TIE ROD END		RHT M14x1,5
0400771	352813	SNODO SOSPENSIONE INFERIORE SUSPENSION JOINT - LOWER	1)	
0400772	352811	SNODO SOSPENSIONE INFERIORE SUSPENSION JOINT - LOWER	2)	

DESTRO
RIGHT



SINISTRO
LEFT

REKORD
COMMODORE

D
B

1972 > 1977
1972 > 1977

Asse Anteriore



Front Axle

0500776



0190777



0190777



0400778



0400778



0400779



0400779



0400780



0400780



i 1) REKORD > 61 136 763 COMMODORE >61 161 023 2) REKORD 61 136 764 > COMMODORE 61161024 >

OCAP	O.E.		i	
0190777	324112	TESTA STERZO TIE ROD END		
0400778	310811	SNODO SOSPENSIONE SUPERIORE SUSPENSION JOINT - UPPER		
0400779	352815	SNODO SOSPENSIONE INFERIORE SUSPENSION JOINT - LOWER	1)	
0400780	352820	SNODO SOSPENSIONE - INFERIORE SUSPENSION JOINT - LOWER	2)	
0500776	322064	BARRA STERZO TIE ROD		

DESTRO
RIGHT



SINISTRO
LEFT

REKORD
COMMODORE
SENATOR - MONZA

E
C
A

1977 > 1986
1977 > 1982
1977 >

Asse Anteriore



Front Axle

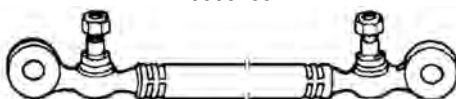
0500782



0501661



0500785



0190783



0180784



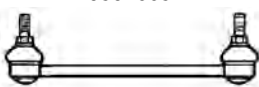
0180784



0190783



0501665



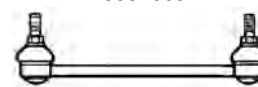
0400784



0400784



0501665



i 1) SERVOSTERZO - POWER STEERING - > CH. D1000028 2) STERZO MANUALE - MANUAL STEERING - > CH. D 1000028
3) STERZO MANUALE - MANUAL STEERING - > CH. D 1000028 - DIESEL > CH. E 1107392

OCAP	O.E.		i	
0180784	324045	TESTA STERZO TIE ROD END		RHT M14x1,5
0190783	324044	TESTA STERZO TIE ROD END		LHT M14x1,5
0400784	352823	SNODO SOSPENSIONE INFERIORE SUSPENSION JOINT - LOWER		
0500782	322129	BARRA STERZO - L H D TIE ROD - L H D	1)	
0500785	322130	BARRA STERZO - L H D TIE ROD - L H D	3)	
0501661	322131	BARRA STERZO - R H D TIE ROD - R H D	2)	
0501665	350602	STABILIZZATORE STABILIZER LINK		

DESTRO
RIGHT



SINISTRO
LEFT

VECTRA

B

1996 > 2002

Asse Anteriore



Front Axle

0281693



0601692



0601692



0281693



0281693



0601691



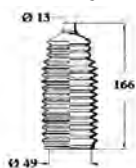
0601691



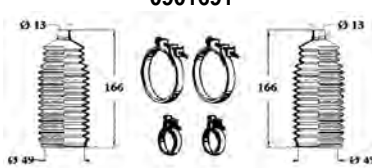
0281693



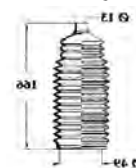
1211254



0901691



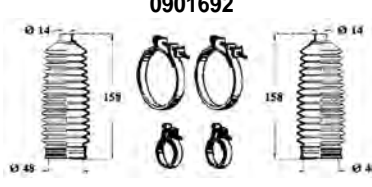
1211254



1211255



0901692





1211255



i 1) SCATOLA STERZO - STEERING BOX - SAGINAW

2) SCATOLA STERZO - STEERING BOX - ZF

OCAP	O.E.		i	
0281693	324063	TESTA STERZO TIE ROD END		RHT M14x1,5
0601691	324186	SNODO ASSIALE AXIAL JOINT	2)	RHT M14x1,5
0601692	1603199	SNODO ASSIALE AXIAL JOINT	1)	RHT M14x1,5
0901691	1609096	KIT CUFFIA STERZO STEERING GAITER KIT	1)	
0901692	1609095	KIT CUFFIA STERZO STEERING GAITER KIT	2)	
1211254	1609096 *	CUFFIA STERZO STEERING GAITER	1)	
1211255	1609095 *	CUFFIA STERZO STEERING GAITER	2)	

DESTRO
RIGHT



SINISTRO
LEFT

VECTRA	B	1996 > 2002
---------------	----------	-----------------------

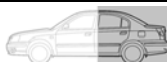
Asse Anteriore



Front Axle



Asse Posteriore



Rear Axle



OCAP	O.E.		
0401420	352829	SNODO SOSPENSIONE SUSPENSION JOINT	
0401517	423121	GIUNTO SOSPENSIONE SUSPENSION JOINT	
0501690	350610	STABILIZZATORE STABILIZER LINK	
0703802	464023	BRACCIO SOSPENSIONE SUSPENSION ARM	
0781747	5352017	BRACCIO OSCILLANTE - INFERIORE TRACK CONTROL ARM - LOWER	
0791747	5352016	BRACCIO OSCILLANTE - INFERIORE TRACK CONTROL ARM - LOWER	
1214097	444199	SILENTBLOCK BARRA STABILIZZATRICE STABILIZING BAR BUSHING	DIAM. 14 mm.
1214098	350130	SILENTBLOCK BARRA STABILIZZATRICE STABILIZING BAR BUSHING	DIAM. 16 mm.
1214115	444200	SILENTBLOCK BARRA STABILIZZATRICE STABILIZING BAR BUSHING	DIAM. 16 mm.
1214246	350086	SILENTBLOCK BARRA STABILIZZATRICE STABILIZING BAR BUSHING	DIAM. 17 mm.
1215319	352364	SILENTBLOCK CENTRALE CENTRAL BUSHING	
1215320	352365	SILENTBLOCK ESTREMO OUTER BUSHING	
1216166	423316	SILENTBLOCK BUSHING	

DESTRO
RIGHT

 SINISTRO
LEFT

**VECTRA
SIGNUM**

 C
A

 04/2002 >
05/2003 >

Asse Anteriore



Front Axle

0283802

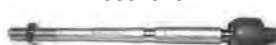
0904374

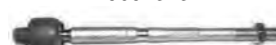
0293802

0603803

0603803-K

0603803

0604373

0604373-K

0604373

0604372

0604372-K

0604372


i 1) SOLO VECTRA - ONLY VECTRA - > CH. 31032140 > CH. 38040655 2) VECTRA: SINO A RUOTE 17" - TO TYRES - CH. 31032141 > CH. 38040656 >

OCAP	O.E.		i	
0283802	1603228	TESTA STERZO TIE ROD END		
0293802	1603227	TESTA STERZO TIE ROD END		
0603803	1603229 *	SNODO ASSIALE AXIAL JOINT	1)	
0604372	1603252 *	SNODO ASSIALE AXIAL JOINT		
0604373	1603244 *	SNODO ASSIALE AXIAL JOINT	2)	
0904374	1609132	KIT CUFFIA STERZO STEERING GAITER KIT		
0603803-K	1603229	SNODO ASSIALE CON KIT KIT AXIAL JOINT	1)	
0604372-K	1603252	SNODO ASSIALE CON KIT KIT AXIAL JOINT		
0604373-K	1603244	SNODO ASSIALE CON KIT KIT AXIAL JOINT	2)	

DESTRO
RIGHT



SINISTRO
LEFT

VECTRA
SIGNUM

C
A

04/2002 >
05/2003 >

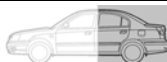
Asse Anteriore



Front Axle



Asse Posteriore



Rear Axle



i 3) ECCEPPO - EXCEPT - MOD. AUTOTELAIO IDS - IDS CHASSIS - DA - FROM CH. 41000001

OCAP	O.E.		i	
0383804	352052	BRACCIO OSCILLANTE - ALLUMINIO TRACK CONTROL ARM - ALUMINIUM		
0393804	352051	BRACCIO OSCILLANTE - ALLUMINIO TRACK CONTROL ARM - ALUMINIUM		
0402133	-	GIUNTO A SNODO BRACCIO SOSPENSIONE CONTROL ARM JOINT		
0503805	350603	STABILIZZATORE STABILIZER LINK	3)	
0504375	444275	STABILIZZATORE STABILIZER LINK		
0702133	423035	BRACCIO OSCILLANTE TRACK CONTROL ARM		
1214100	444160	SILENTBLOCK BARRA STABILIZZATRICE STABILIZING BAR BUSHING		DIAM. 17 mm.
1214114	350145	SILENTBLOCK BARRA STABILIZZATRICE STABILIZING BAR BUSHING		DIAM. 23,3 mm.
1214117	350148	SILENTBLOCK BARRA STABILIZZATRICE STABILIZING BAR BUSHING		DIAM. 22 mm.
1214247	444161	SILENTBLOCK BARRA STABILIZZATRICE STABILIZING BAR BUSHING		DIAM. 18 mm.
1214248	444162	SILENTBLOCK BARRA STABILIZZATRICE STABILIZING BAR BUSHING		DIAM. 19 mm.
1215319	352364	SILENTBLOCK CENTRALE CENTRAL BUSHING		
1215638	352319	SILENTBLOCK ESTREMO OUTER BUSHING		
1215781	-	SILENTBLOCK BRACCIO SOSPENSIONE CONTROL ARM BUSHING		

DESTRO
RIGHT



SINISTRO
LEFT

VIVARO

2001 > 2014

Asse Anteriore



Front Axle



i 1) > 10/2006

OCAP	O.E.		i	
0283875	4408511	TESTA STERZO TIE ROD END		
0293875	4408510	TESTA STERZO TIE ROD END		
0403877	4408959 *	SNODO SOSPENSIONE - CON KIT SUSPENSION JOINT - WITH KIT	1)	
0604424	4408474 *	SNODO ASSIALE AXIAL JOINT		
0783808	4408959	BRACCIO OSCILLANTE - INFERIORE TRACK CONTROL ARM - LOWER	1)	
0793808	4408958	BRACCIO OSCILLANTE - INFERIORE TRACK CONTROL ARM - LOWER	1)	
0903807	4408476	KIT CUFFIA STERZO STEERING GAITER KIT		
1211589	4408476 *	CUFFIA STERZO STEERING GAITER		
1215640	4408958 **	SILENTBLOCK CENTRALE CENTRAL BUSHING		DIAM. 18/55 mm.
1215641	4408959 **	SILENTBLOCK ESTREMO OUTER BUSHING		DIAM. 15/58 mm.
0604424-K	4408474	KIT SNODO ASSIALE AXIAL JOINT KIT		

DESTRO
RIGHT



SINISTRO
LEFT

VIVARO

2001 > 2014

Asse Anteriore



Front Axle



i 2) 11/2006 >

OCAP	O.E.		i	
0384627	4418226	BRACCIO OSCILLANTE - INFERIORE TRACK CONTROL ARM - LOWER	2)	
0394627	4418225	BRACCIO OSCILLANTE - INFERIORE TRACK CONTROL ARM - LOWER	2)	
0404627	4431869	SNODO SOSPENSIONE - INFERIORE BALL JOINT - LOWER	2)	
0503878	4408904	STABILIZZATORE STABILIZER LINK		
1215640	4408958 **	SILENTBLOCK CENTRALE CENTRAL BUSHING		DIAM. 18/55 mm.
1215641	4408959 **	SILENTBLOCK ESTREMO OUTER BUSHING		DIAM. 15/58 mm.

DESTRO
RIGHT

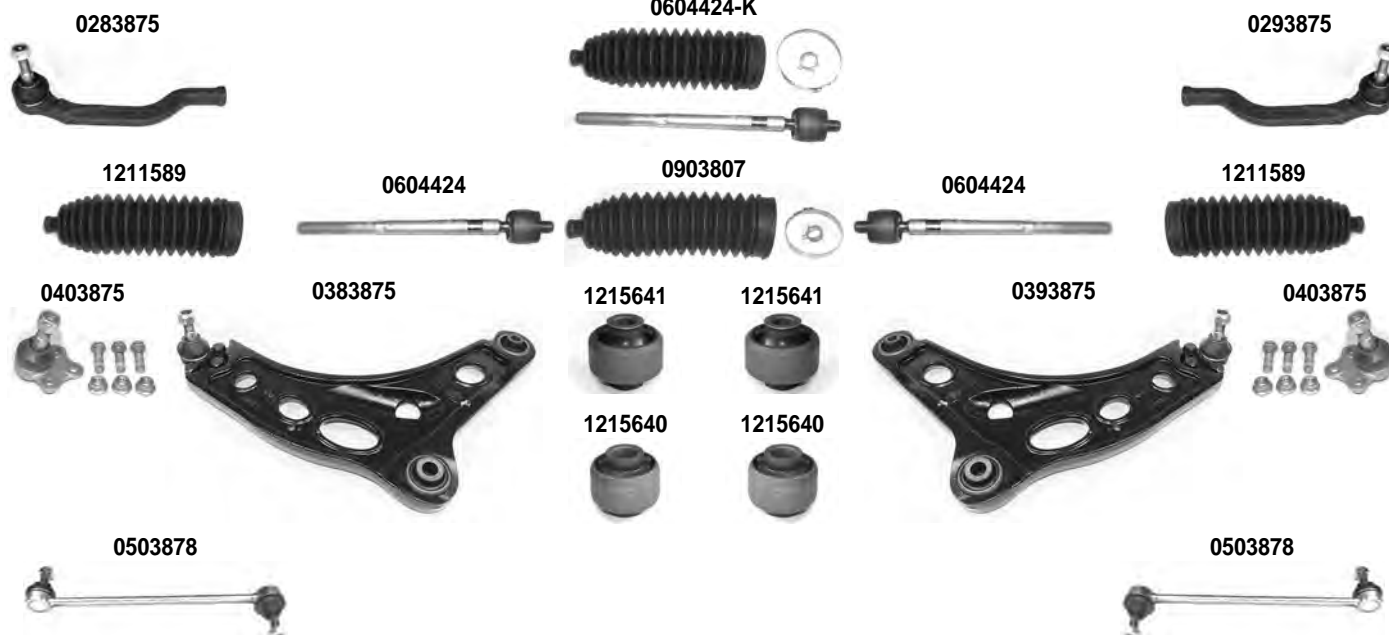
 SINISTRO
LEFT

VIVARO

06/2014>

Asse Anteriore

Front Axle



OCAP	O.E.			
0283875	4408511	TESTA STERZO TIE ROD END		
0293875	4408510	TESTA STERZO TIE ROD END		
0383875	4422269	BRACCIO OSCILLANTE - INFERIORE TRACK CONTROL ARM - LOWER		
0393875	4422270	BRACCIO OSCILLANTE - INFERIORE TRACK CONTROL ARM - LOWER		
0403875	4422270 *	SNODO SOSPENSIONE - INFERIORE BALL JOINT - LOWER		
0503878	4408904	STABILIZZATORE STABILIZER LINK		
0604424	4408474 *	SNODO ASSIALE AXIAL JOINT		
0903807	4408476	KIT CUFFIA STERZO STEERING GAITER KIT		
1211589	4408476 *	CUFFIA STERZO STEERING GAITER		
1215640	4408958 **	SILENTBLOCK CENTRALE CENTRAL BUSHING		DIAM. 18/55 mm.
1215641	4408959 **	SILENTBLOCK ESTREMO OUTER BUSHING		DIAM. 15/58 mm.
0604424-K	4408474	KIT SNODO ASSIALE AXIAL JOINT KIT		

DESTRO
RIGHT



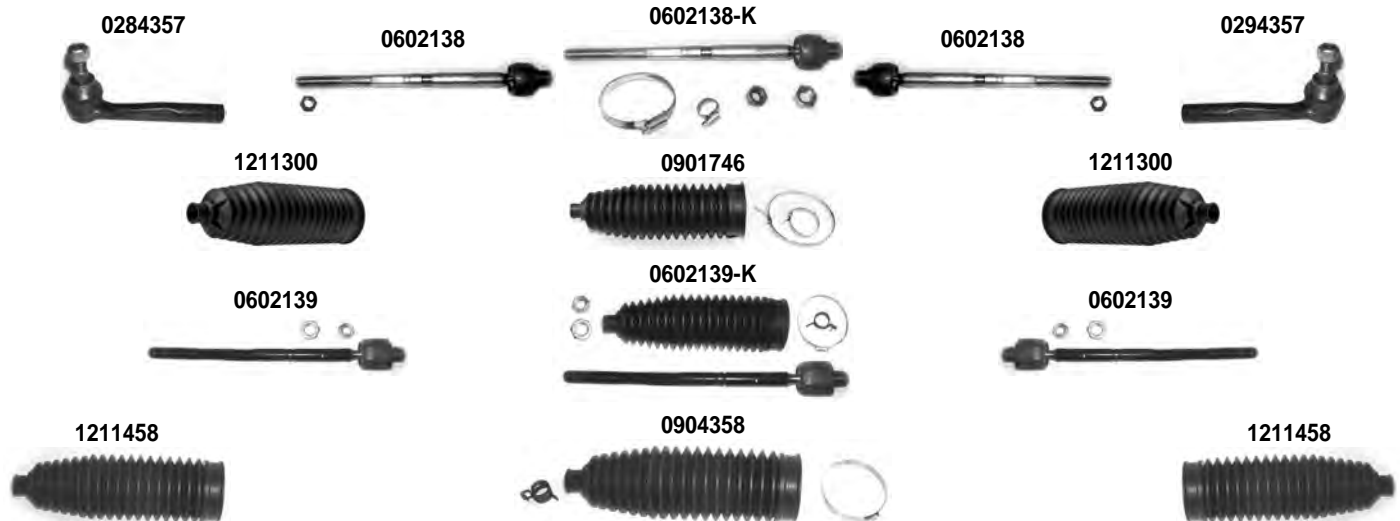
SINISTRO
LEFT

ZAFIRA B	A05	07/2005 >
----------	-----	-----------

Asse Anteriore



Front Axle



i 1) SCATOLE STERZO - STEERING BOX - TRW	2) SCATOLE STERZO - STEERING BOX - ZF
---	---------------------------------------

OCAP	O.E.		
0284357	1603288	TESTA STERZO TIE ROD END	RHT M14x1,5
0294357	1603289	TESTA STERZO TIE ROD END	RHT M14x1,5
0602138	1603287 *	SNODO ASSIALE AXIAL JOINT	1) RHT M14x1,5
0602139	1603359 *	SNODO ASSIALE AXIAL JOINT	2) RHT M14x1,5
0901746	1609113	KIT CUFFIE STERZO STEERING GAITER KIT	1)
0904358	1609153	KIT CUFFIA STERZO STEERING GAITER KIT	2)
1211300	1609113 **	CUFFIA STERZO STEERING GAITER	1)
1211458	1609153 *	CUFFIA STERZO STEERING GAITER	2)
0602138-K	1603287	KIT SNODO ASSIALE AXIAL JOINT KIT	1) RHT M14x1,5
0602139-K	1603359	KIT SNODO ASSIALE AXIAL JOINT KIT	2) RHT M14x1,5

DESTRO
RIGHT



SINISTRO
LEFT

ZAFIRA B

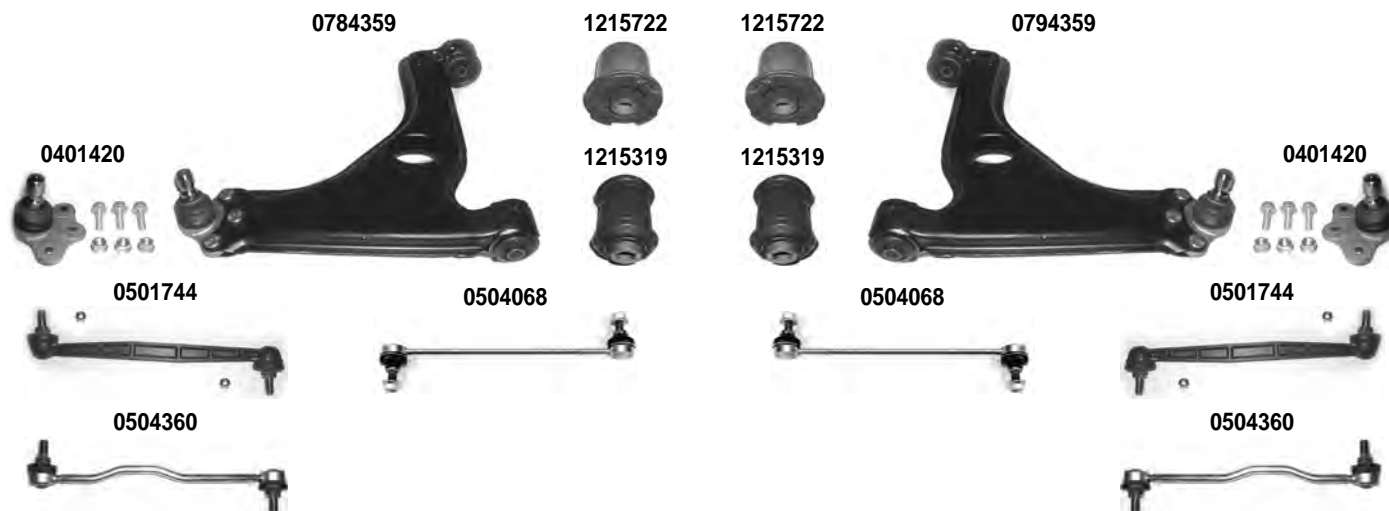
A05

07/2005 >

Asse Anteriore



Front Axle



i 3) ESCLUSO MODELLI GUIDA INTERATTIVA (IDS) - RESINA - EXCEPT INTERACTIVE DRIVE (IDS) - RESIN
 5) SOLO MODELLI CON GUIDA INTERATTIVA (IDS) - ONLY FOR INTERACTIVE DRIVE (IDS)

4) ESCLUSO MODELLI GUIDA INTERATTIVA (IDS) - ACCIAIO - EXCEPT INTERACTIVE DRIVE (IDS) - STEEL

OCAP	O.E.		i	
0401420	352800	SNODO SOSPENSIONE BALL JOINT		
0501744	350614	STABILIZZATORE STABILIZER LINK	3)	
0504068	350611	STABILIZZATORE STABILIZER LINK	4)	
0504360	350613	STABILIZZATORE STABILIZER LINK	5)	
0784359	5352030	BRACCIO OSCILLANTE TRACK CONTROL ARM		
0794359	5352029	BRACCIO OSCILLANTE TRACK CONTROL ARM		
1215319	352364	SILENTBLOCK CENTRALE CENTRAL BUSHING		
1215722	352324	SILENTBLOCK ESTREMO OUTER BUSHING		

DESTRO
RIGHT



SINISTRO
LEFT

ZAFIRA TOURER C

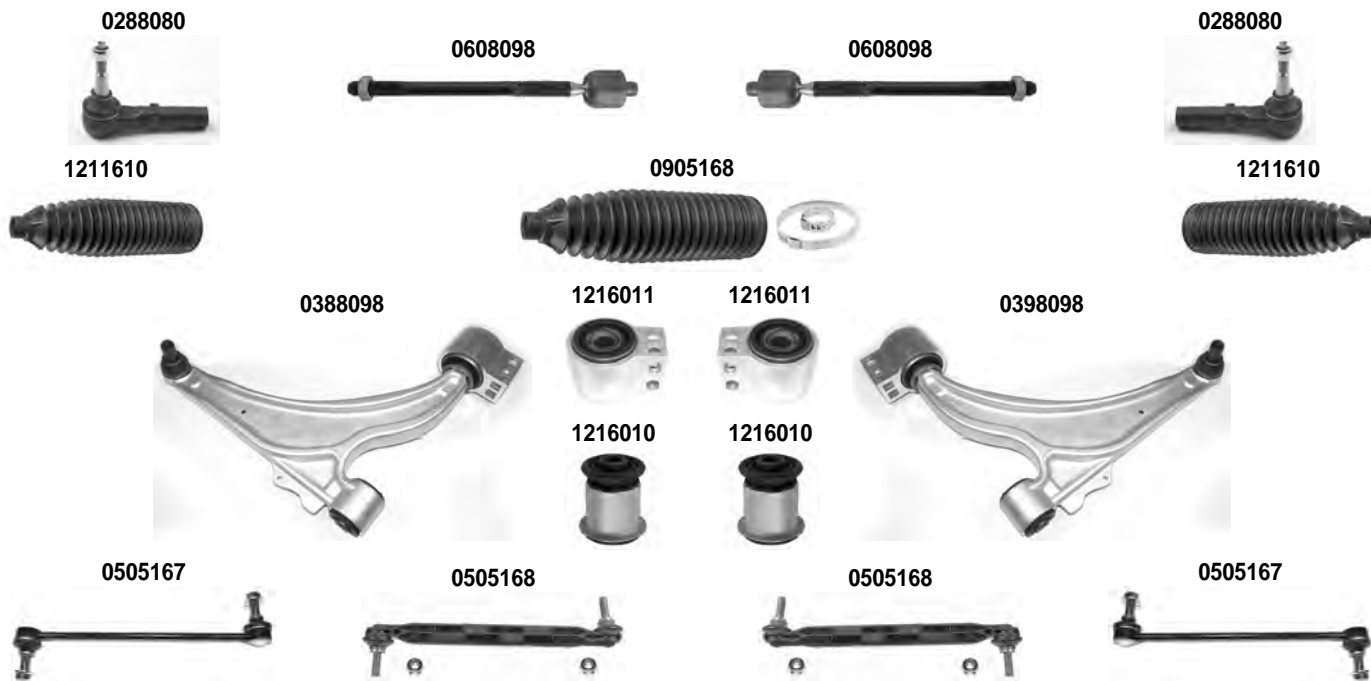
P12

10/2011 >

Asse Anteriore



Front Axle



Asse Posteriore



Rear Axle

1216324



1216324



i 1) PER MODELLI CON FLEXRIDE - FOR FLEXRIDE MODELS 2) PER MODELLI SENZA FLEXRIDE - RESINA - EXCEPT FLEXRIDE MODELS - RESIN

OCAP	O.E.		i	
0288080	1609026	TESTA STERZO TIE ROD END		RHT M16x1,5
0388098	352550	BRACCIO OSCILLANTE - INFERIORE - ALLUMINIO TRACK CONTROL ARM - LOWER - ALUMINIUM		
0398098	352549	BRACCIO OSCILLANTE - INFERIORE - ALLUMINIO TRACK CONTROL ARM - LOWER - ALUMINIUM		
0505167	350618	STABILIZZATORE STABILIZER LINK	1)	
0505168	350617	STABILIZZATORE STABILIZER LINK	2)	
0608098	1609184	SNODO ASSIALE AXIAL JOINT		RHT M16x1,5
0905168	1609028	KIT CUFFIA STERZO STEERING GAITER KIT		
1211610	1609028 *	CUFFIA STERZO STEERING GAITER		
1216010	352866	SILENTBLOCK CENTRALE CENTRAL BUSHING		
1216011	352494	SILENTBLOCK ESTREMO OUTER BUSHING		
1216324	402027	SILENTBLOCK BUSHING		

DESTRO
RIGHT

 SINISTRO
LEFT

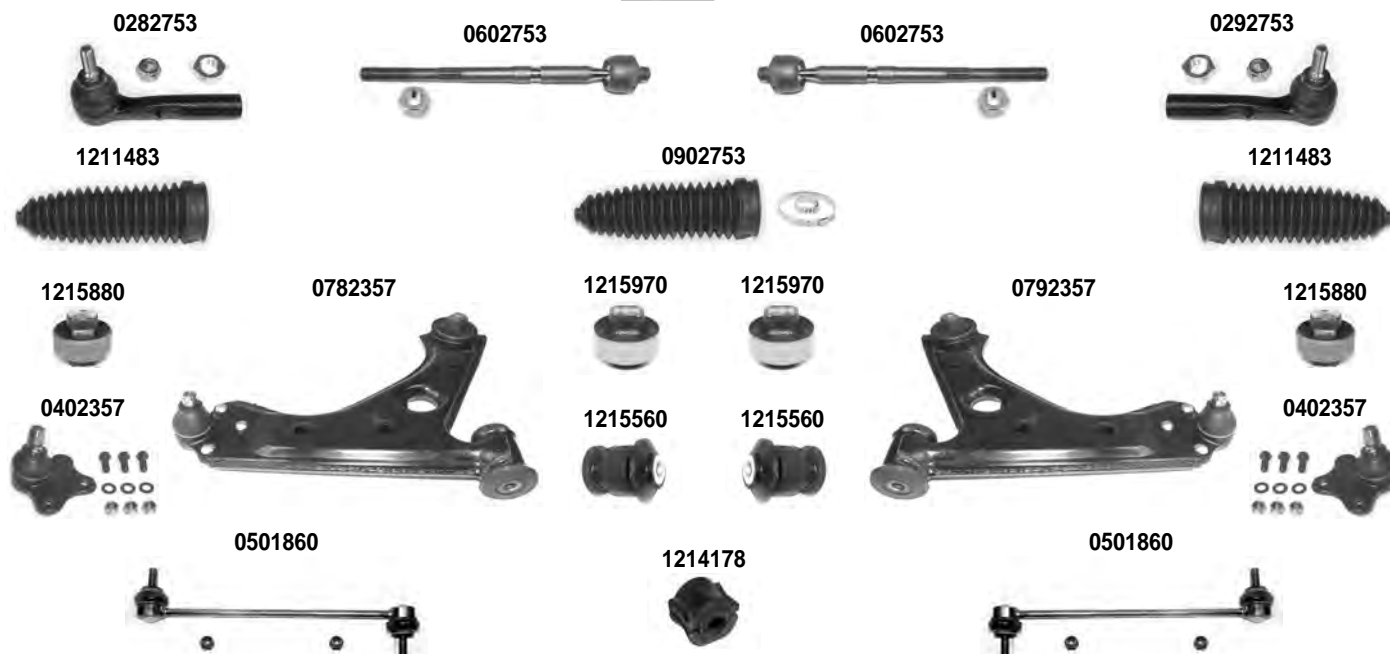
BIPPER

2008 >

Asse Anteriore



Front Axle



OCAP	O.E.		
0282753	381787	TESTA STERZO TIE ROD END	RHT M14x1,5
0292753	381786	TESTA STERZO TIE ROD END	RHT M14x1,5
0402357	3521S6 *	SNODO SOSPENSIONE BALL JOINT	
0501860	508779	STABILIZZATORE STABILIZER LINK	
0602753	400177	SNODO ASSIALE AXIAL JOINT	RHT M14x1,5
0782357	3521S6	BRACCIO OSCILLANTE TRACK CONTROL ARM	
0792357	3520W3	BRACCIO OSCILLANTE TRACK CONTROL ARM	
0902753	406695	KIT CUFFIA STERZO STEERING GAITER KIT	
1211483	77364571 *	CUFFIA STERZO STEERING GAITER	
1214178	5094E5	SILENTBLOCK BARRA STABILIZZATRICE STABILIZING BAR BUSHING	DIAM. 21 mm.
1215560	352380	SILENTBLOCK CENTRALE CENTRAL BUSHING	
1215880	55700751 *	SILENTBLOCK VECCHIA VERSIONE OUTER BUSHING OLD VERSION	
1215970	55700751	SILENTBLOCK ESTREMO OUTER BUSHING	

DESTRO
RIGHT

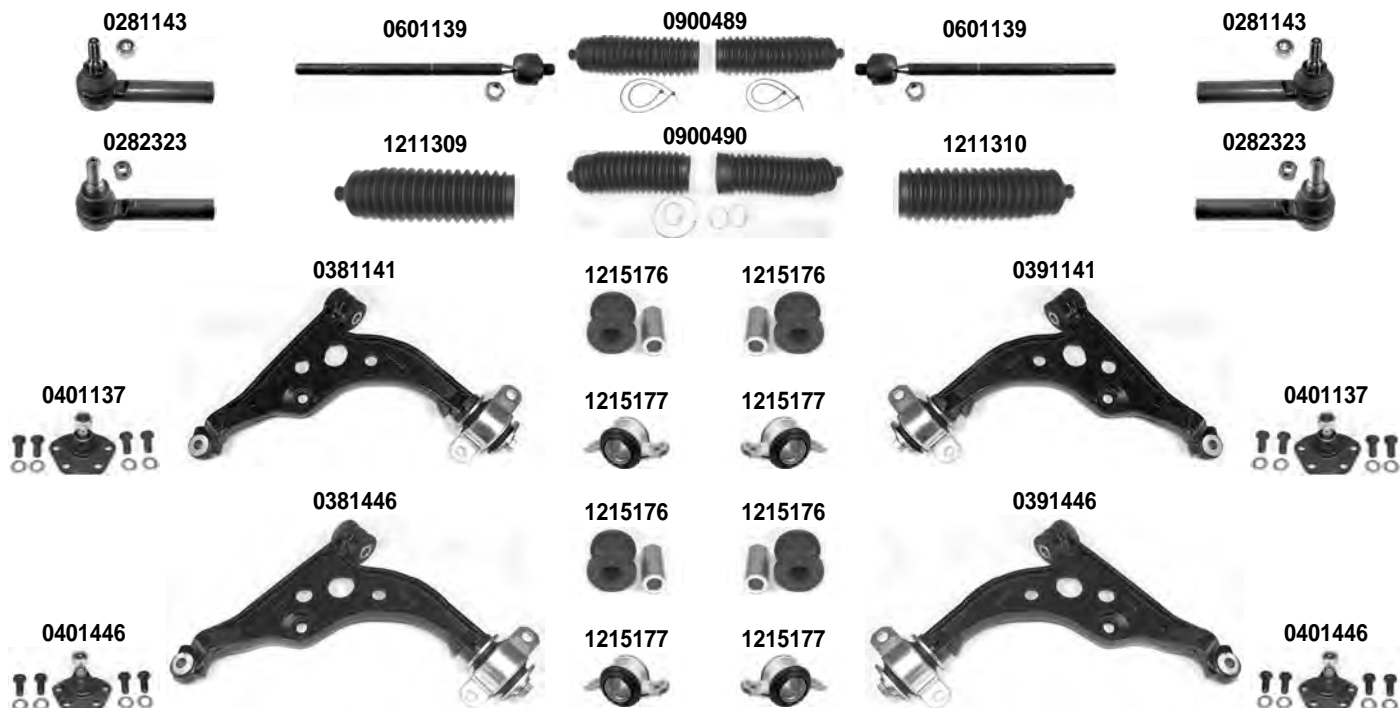


SINISTRO
LEFT

BOXER	1994 > 03/2006
--------------	----------------

Asse Anteriore

Front Axle



i 1) > 12/2002 3) 01/2003 > 5) MOD. 1.0 -1.4 t > 01/2001	2) STERZO MANUALE - MANUAL STEERING 4) SERVOSTERZO - POWER STEERING 6) MOD. 1.0 -1.4 t 02/2001 >
---	--

OCAP	O.E.		i	
0281143	4018A3	TESTA STERZO TIE ROD END	1)	RHT M16x1,5
0282323	4018E0	TESTA STERZO TIE ROD END	3)	
0381141	352165	BRACCIO OSCILLANTE TRACK CONTROL ARM	5)	
0381446	3521J3	BRACCIO OSCILLANTE TRACK CONTROL ARM	6)	
0391141	352095	BRACCIO OSCILLANTE TRACK CONTROL ARM	5)	
0391446	3520N3	BRACCIO OSCILLANTE TRACK CONTROL ARM	6)	
0401137	364032	SNODO SOSPENSIONE SUSPENSION JOINT - LOWER	5)	
0401446	364055	SNODO SOSPENSIONE SUSPENSION JOINT - LOWER	6)	
0601139	4018A4	SNODO ASSIALE AXIAL JOINT		
0900489	9946982	KIT CUFFIA STERZO STEERING GAITER KIT	2)	
0900490	400622	KIT CUFFIA STERZO STEERING GAITER KIT	4)	
1211309	400622 *	CUFFIA STERZO STEERING GAITER	4)	
1211310	4018A5	CUFFIA STERZO STEERING GAITER	4)	
1215176	352393	SILENTBLOCK CENTRALE CENTRAL BUSHING		
1215177	3523AP	SILENTBLOCK ESTREMO OUTER BUSHING		

DESTRO
RIGHT



SINISTRO
LEFT

BOXER

1994 > 03/2006

Asse Anteriore



Front Axle



i 7) MOD. 1.8 t > 01/2001 8) MOD. 1.8 t 02/2001 >

OCAP	O.E.		
0181602	508737	PUNTONE BARRA STABILIZZATRICE STABILIZER LINK	
0381140	352166	BRACCIO OSCILLANTE TRACK CONTROL ARM	7)
0381451	3521J4	BRACCIO OSCILLANTE TRACK CONTROL ARM	8)
0391140	352096	BRACCIO OSCILLANTE TRACK CONTROL ARM	7)
0391451	3520N4	BRACCIO OSCILLANTE TRACK CONTROL ARM	8)
0401138	364033	SNODO SOSPENSIONE SUSPENSION JOINT - LOWER	7)
0401451	364054	SNODO SOSPENSIONE SUSPENSION JOINT - LOWER	8)
1215176	352393	SILENTBLOCK CENTRALE CENTRAL BUSHING	
1215177	3523AP	SILENTBLOCK ESTREMO OUTER BUSHING	
1215491	1300720080	GOMMINO PUNTONE BARRA STABILIZZATRICE RUBBER RING STABILIZER LINK	
0181602-K	1300716080 *	KIT PUNTONE BARRA STABILIZZATRICE STABILIZER LINK KIT	

DESTRO
RIGHT



SINISTRO
LEFT

BOXER	04/2006 >
-------	-----------

Asse Anteriore

Front Axle



i 1) MOD. Q11 - Q15 - Q17L 3) > 05/2014	2) MOD. Q17H - Q20
---	--------------------

OCAP	O.E.		i	
0282637	77364009	TESTA STERZO TIE ROD END		RHT M16x1,5
0292637	77364253	TESTA STERZO TIE ROD END		RHT M16x1,5
0382638	1352225080	BRACCIO OSCILLANTE TRACK CONTROL ARM	1) 3)	
0382639	1352226080	BRACCIO OSCILLANTE TRACK CONTROL ARM	2) 3)	
0392638	1352227080	BRACCIO OSCILLANTE TRACK CONTROL ARM	1) 3)	
0392639	1352228080	BRACCIO OSCILLANTE TRACK CONTROL ARM	2) 3)	
0402638	50705629	SNODO SOSPENSIONE BALL JOINT		
0602637	4000SF*	SNODO ASSIALE AXIAL JOINT		RHT M16x1,5
0902637	77364254	KIT CUFFIA STERZO STEERING GAITER KIT		
1211604	77364254 *	CUFFIA STERZO STEERING GAITER		
1215822	1374222080 *	SILENTBLOCK CENTRALE CENTRAL BUSHING		
1215823	3520S0	SILENTBLOCK ESTREMO OUTER BUSHING		

DESTRO
RIGHT



SINISTRO
LEFT

BOXER

04/2006 >

Asse Anteriore



Front Axle





Asse Posteriore



Rear Axle



i 4) 05/2014 >

OCAP	O.E.		i	
0182638	1357572080 *	STABILIZZATORE STABILIZER LINK		
0388667	1374222080	BRACCIO OSCILLANTE TRACK CONTROL ARM	4)	
0398667	1374223080	BRACCIO OSCILLANTE TRACK CONTROL ARM	4)	
0402638	50705629	SNODO SOSPENSIONE BALL JOINT		
0503520	1355449080 *	STABILIZZATORE STABILIZER LINK		
1215822	1374222080 *	SILENTBLOCK CENTRALE CENTRAL BUSHING		
1215823	3520S0	SILENTBLOCK ESTREMO OUTER BUSHING		

DESTRO
RIGHT



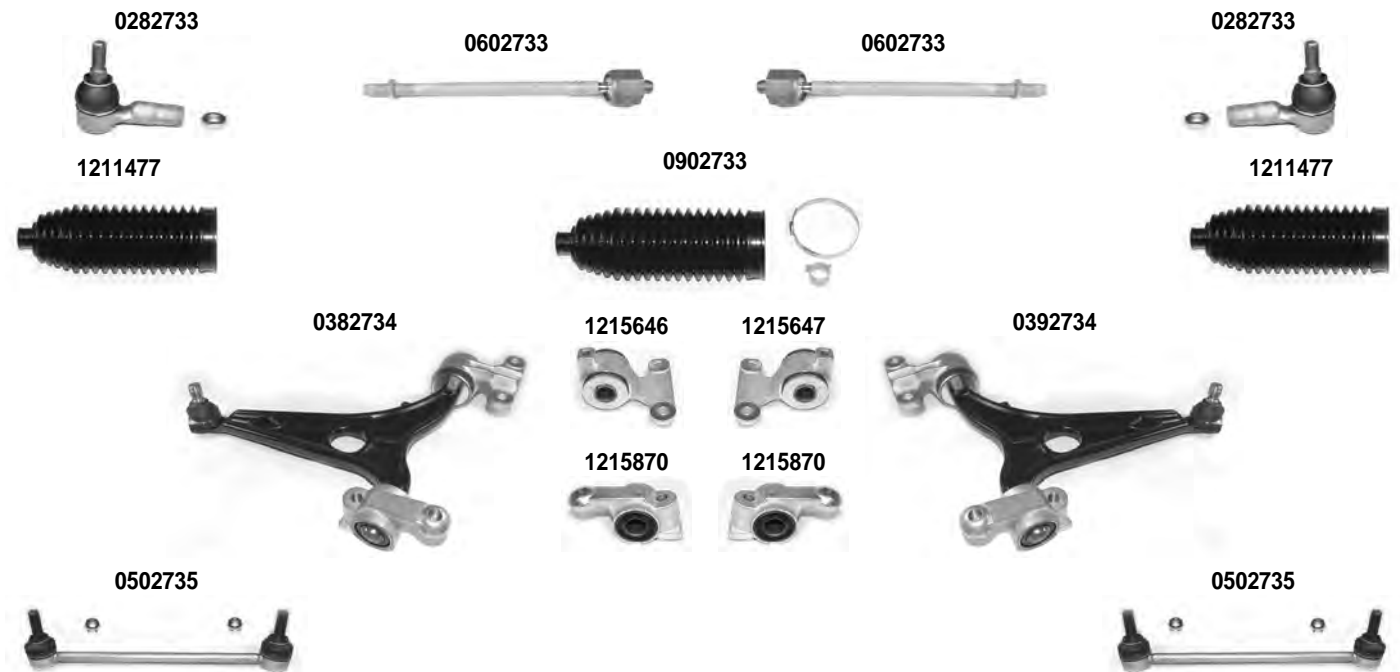
SINISTRO
LEFT

EXPERT	VF3	01/2007 >
--------	-----	-----------

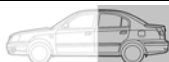
Asse Anteriore



Front Axle



Asse Posteriore



Rear Axle



OCAP	O.E.		i	
0282733	381773	TESTA STERZO TIE ROD END		
0382734	3521N9	BRACCIO OSCILLANTE - INFERIORE - ACCIAIO TRACK CONTROL ARM - LOWER - STEEL		
0392734	3520R8	BRACCIO OSCILLANTE - INFERIORE - ACCIAIO TRACK CONTROL ARM - LOWER - STEEL		
0502735	508756	STABILIZZATORE STABILIZER LINK		
0502736	5170F1	STABILIZZATORE STABILIZER LINK		
0602733	3812F0	SNODO ASSIALE TIE ROD END		RHT M14x1,5
0902733	406683	KIT CUFFIE STERZO STEERING GAITER KIT		
1211477	406683 *	CUFFIA STERZO STEERING GAITER		
1215646	3521K6 *	SILENTBLOCK ESTREMO OUTER BUSHING		
1215647	3520P6 *	SILENTBLOCK ESTREMO OUTER BUSHING		
1215870	3521N9 *	SILENTBLOCK CENTRALE CENTRAL BUSHING		

DESTRO
RIGHT



SINISTRO
LEFT

5

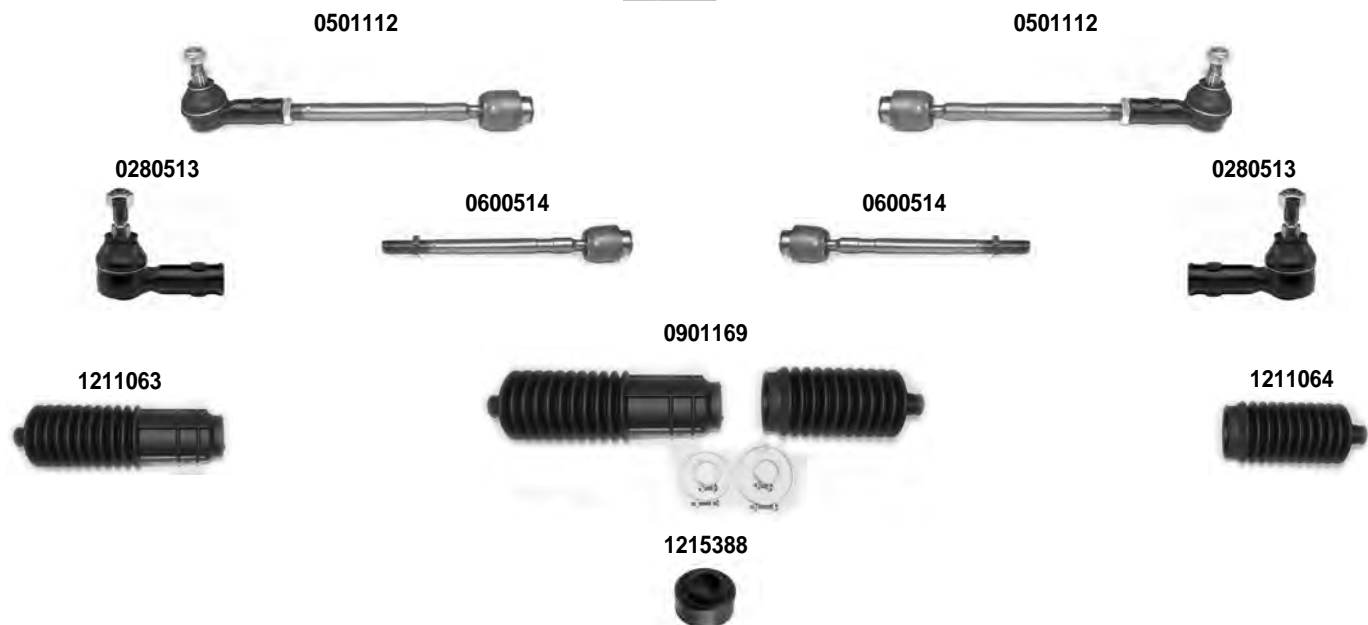
J5



1981 > 03/1994

Asse Anteriore



Front Axle



OCAP	O.E.		
0280513	9750079800	TESTA STERZO TIE ROD END	RHT M16x1,5
0501112	9790002680 *	BARRA STERZO TIE ROD	
0600514	9750390080	SNODO ASSIALE AXIAL JOINT	RHT M16x1,5
0901169	9750000280 *	KIT CUFFIE STERZO STEERING GAITER KIT	
1211063	9750000380	CUFFIA STERZO STEERING GAITER	
1211064	9750000280	CUFFIA STERZO STEERING GAITER	
1215388	4339248	BOCCOLA BARRA STABILIZZATRICE STABILIZING BAR BUSHING	

J5

DESTRO
RIGHT



SINISTRO
LEFT

J5	1981 > 03/1994
----	----------------

Asse Anteriore



Front Axle

0400097



0380405



1214001



1214001



0390405



0400097



0901527



0901527



0400096



0380406



1214001



1214001



0390406



0400096



0901527



0901527



0400096



0380565



1214022



1214022



0390565



0400096



0901528



0901528



i 1) > 10/1985 3) 10/1985 > 5) MOD. 1.8 t	2) > 09/1985 4) MOD. 1.8 t 10/1985 >
--	---

OCAP	O.E.		i	
0380405	4391813	BRACCIO OSCILLANTE TRACK CONTROL ARM	2)	
0380406	7695190	BRACCIO OSCILLANTE TRACK CONTROL ARM	3)	
0380565	7695185	BRACCIO OSCILLANTE TRACK CONTROL ARM	4)	
0390405	4391814	BRACCIO OSCILLANTE TRACK CONTROL ARM	2)	
0390406	7695191	BRACCIO OSCILLANTE TRACK CONTROL ARM	3)	
0390565	7695186	BRACCIO OSCILLANTE TRACK CONTROL ARM	4)	
0400096	7567284	SNODO SOSPENSIONE INFERIORE BALL JOINT LOWER	3)	
0400097	4388159	SNODO SOSPENSIONE INFERIORE BALL JOINT LOWER	1)	
0901527	-	KIT SILENTBLOCK BUSHING KIT		
0901528	-	KIT SILENTBLOCK BUSHING KIT	5)	
1214001	4331968	SILENTBLOCK ESTREMO OUTER BUSHING		
1214022	7695185 *	SILENTBLOCK ESTREMO OUTER BUSHING	5)	

DESTRO
RIGHT



SINISTRO
LEFT

J7

J7 J9		1965 > 1980 >
----------	--	------------------

Asse Anteriore



Front Axle

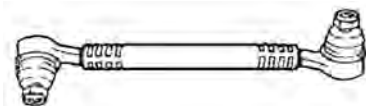
0180804



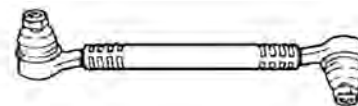
0190804



0501104



0501104



0901169



1211063



1211064



0400518



0400806



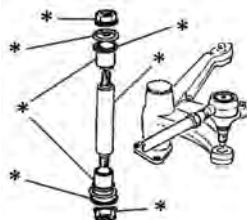
0400806



0400518



0902279



1215738



1215738



i 1) MOD. J9 - 1983 >

OCAP	O.E.		i	
0180804	387431	TESTA STERZO TIE ROD END		RHT M20x1,5
0190804	387430	TESTA STERZO TIE ROD END		LHT M20x1,5
0400518	360828	SNODO SOSPENSIONE SUPERIORE SUSPENSION JOINT - UPPER		
0400806	362215	SNODO SOSPENSIONE INFERIORE SUSPENSION JOINT - LOWER		
0501104	381330	BARRA STERZO TIE ROD		
0901169	9750000280 *	KIT CUFFIE STERZO STEERING GAITER KIT	1)	
0902279	389922	KIT RIPARAZIONE COMPLETO BRACCIO OSCILLANTE COMPLETE REPAIRING KIT CONTROL ARM		
1211063	9750000380	CUFFIA STERZO STEERING GAITER	1)	
1211064	9750000280	CUFFIA STERZO STEERING GAITER	1)	
1215738	356105	SILENTBLOCK BUSHING		

DESTRO
RIGHT



SINISTRO
LEFT

PARTNER - RANCH

1997 >

Asse Anteriore



Front Axle



i 1) STERZO MANUALE - MANUAL STEERING	2) SERVOSTERZO - POWER STEERING
--	--

OCAP	O.E.		i	
0180950	9471000965	TESTA STERZO TIE ROD END		RHT M14x1,5
0400641	364039	SNODO SOSPENSIONE SUSPENSION JOINT	1)	
0500639	3812E4 *	BARRA STERZO TIE ROD		
0600639	3812E4	SNODO ASSIALE AXIAL JOINT		RHT M14x1,5
0780072	3521A8	BRACCIO OSCILLANTE COMPLETO COMPLETE TRACK CONTROL ARM	1)	
0790072	3520F8	BRACCIO OSCILLANTE COMPLETO COMPLETE TRACK CONTROL ARM	1)	
0901546	406622 *	KIT CUFFIE STERZO STEERING GAITER KIT	2)	
0901611	406644 *	KIT CUFFIE STERZO STEERING GAITER KIT	1)	
1211110	406620	CUFFIA STERZO STEERING GAITER	2)	
1211114	406622	CUFFIA STERZO STEERING GAITER	2)	
1211208	406644	CUFFIA STERZO STEERING GAITER	1)	
1211209	406643	CUFFIA STERZO STEERING GAITER	1)	
1215144	352375	SILENTBLOCK ESTREMO OUTER BUSHING - ONLY MODELS		
1215145	96110483	SILENTBLOCK CENTRALE CENTRAL BUSHING		

DESTRO
RIGHT

 SINISTRO
LEFT

PARTNER - RANCH

1997 >

Asse Anteriore



Front Axle



i	1) STERZO MANUALE - MANUAL STEERING	2) SERVOSTERZO - POWER STEERING
	3) NUOVO MODELLO - NEW MODEL	4) NUOVO MODELLO - COMPLETO - NEW MODEL - COMPLETE

OCAP	O.E.		i	
0400642	364042	SNODO SOSPENSIONE SUSPENSION JOINT	2)	
0401796	364050	SNODO SOSPENSIONE SUSPENSION JOINT	1) 3)	DIAM. 18 mm.
0401797	364051	SNODO SOSPENSIONE SUSPENSION JOINT	2) 3)	DIAM. 18 mm.
0780073	3521A7	BRACCIO OSCILLANTE COMPLETO COMPLETE TRACK CONTROL ARM	2)	
0781796	-	BRACCIO OSCILLANTE TRACK CONTROL ARM	1) 4)	
0781797	-	BRACCIO OSCILLANTE COMPLETO - INFERIORE COMPLETE TRACK CONTROL ARM - LOWER	2) 4)	
0790073	3520F7	BRACCIO OSCILLANTE COMPLETO COMPLETE TRACK CONTROL ARM	2)	
0791796	-	BRACCIO OSCILLANTE TRACK CONTROL ARM	1) 4)	
0791797	-	BRACCIO OSCILLANTE COMPLETO - INFERIORE COMPLETE TRACK CONTROL ARM - LOWER	2) 4)	
1215144	352375	SILENTBLOCK ESTREMO OUTER BUSHING - ONLY MODELS		
1215145	96110483	SILENTBLOCK CENTRALE CENTRAL BUSHING		

DESTRO
RIGHT



SINISTRO
LEFT

PARTNER - RANCH

1997 >

Asse Anteriore



Front Axle

0781827



0791827



0381500



1215616



1215616



0391500



1215145



1215145



0501548



0505737



0505737



0501548



1214172



i	5) NUOVO MODELLO SENZA SNODO - NEW MODEL WITHOUT BALL JOINT	6) SOLO PER MOTORI DIESEL DW8-DW10 - ONLY DIESEL ENGINE DW8-DW10
	7) VERSIONE RINFORZATA - REINFORCED VERSION	8) SOLO PER - ONLY FOR RANCH

OCAP	O.E.		i	
0381500	3521R4	BRACCIO OSCILLANTE TRACK CONTROL ARM	6)	
0391500	3520V3	BRACCIO OSCILLANTE TRACK CONTROL ARM	6)	
0501548	508746	STABILIZZATORE STABILIZER LINK		
0505737	508746 *	STABILIZZATORE STABILIZER LINK	7)	
0781827	3521E5	BRACCIO OSCILLANTE TRACK CONTROL ARM	5)	
0791827	3520H5	BRACCIO OSCILLANTE TRACK CONTROL ARM	5)	
1214172	509477	SILENTBLOCK BARRA STABILIZZATRICE STABILIZING BAR BUSHING	8)	DIAM. 22 mm.
1215145	96110483	SILENTBLOCK CENTRALE CENTRAL BUSHING		
1215616	352383	SILENTBLOCK ESTREMO OUTER BUSHING		

DESTRO
RIGHT

 SINISTRO
LEFT

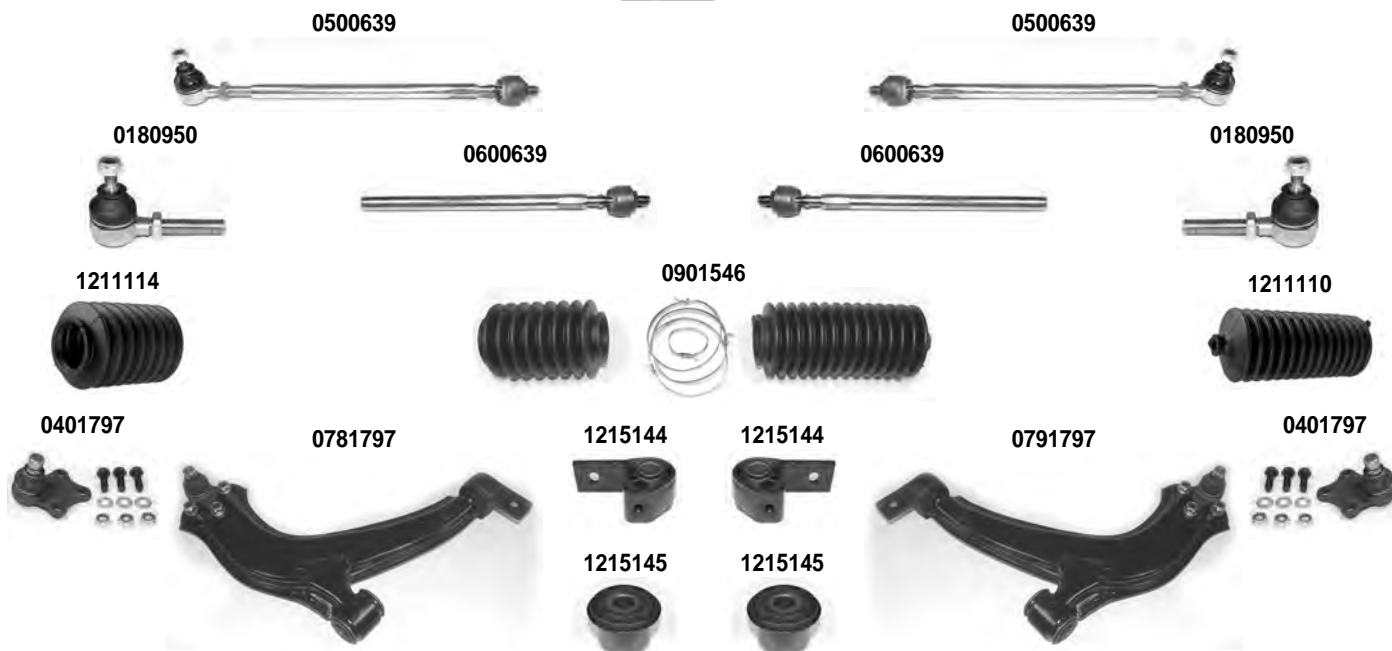
PARTNER - RANCH

2003 > 03/2008

Asse Anteriore



Front Axle


1) SERVOSTERZO - POWER STEERING
2) SOLO PER MOTORI INIEZIONE (TU1JP - TU3JP - TU3A) - DIESEL DW8B SINO A OPR 10555 - ONLY FOR INJECTION ENGINES (TU1JP - TU3JP - TU3A) - DIESEL DW8B TO OPR 10555

OCAP	O.E.		
0180950	9471000965	TESTA STERZO TIE ROD END	RHT M14x1,5
0401797	364051	SNODO SOSPENSIONE SUSPENSION JOINT	2) DIAM. 18 mm.
0500639	3812E4 *	BARRA STERZO TIE ROD	
0600639	3812E4	SNODO ASSIALE AXIAL JOINT	RHT M14x1,5
0781797	-	BRACCIO OSCILLANTE COMPLETO - INFERIORE COMPLETE TRACK CONTROL ARM - LOWER	2)
0791797	-	BRACCIO OSCILLANTE COMPLETO - INFERIORE COMPLETE TRACK CONTROL ARM - LOWER	2)
0901546	406622 *	KIT CUFFIE STERZO STEERING GAITER KIT	1)
1211110	406620	CUFFIA STERZO STEERING GAITER	1)
1211114	406622	CUFFIA STERZO STEERING GAITER	1)
1215144	352375	SILENTBLOCK ESTREMO OUTER BUSHING	
1215145	96110483	SILENTBLOCK CENTRALE CENTRAL BUSHING	

DESTRO
RIGHT



SINISTRO
LEFT

PARTNER - RANCH

2003 > 03/2008

Asse Anteriore



Front Axle



i 3) SOLO PER : (TU1JP - TU3JP - TU3A) - DIESEL DW8B SINO A - TO OPR 10555 - SENZA SNODO - ONLY FOR: (TU1JP - TU3JP - TU3A) DIESEL DW8B - TO OPR 10555 - WITHOUT BALL JOINT
 5) VERSIONE RINFORZATA - REINFORCED VERSION

4) MOTORI: DIESEL DW8B - INIEZIONE TU5JP4 - ENGINE: DIESEL DW8B - INJECTION TU5JP4

OCAP	O.E.		i	
0381500	3521R4	BRACCIO OSCILLANTE TRACK CONTROL ARM	4)	
0391500	3520V3	BRACCIO OSCILLANTE TRACK CONTROL ARM	4)	
0501548	508746	STABILIZZATORE STABILIZER LINK		
0505737	508746 *	STABILIZZATORE STABILIZER LINK	5)	
0781827	3521E5	BRACCIO OSCILLANTE TRACK CONTROL ARM	3)	
0791827	3520H5	BRACCIO OSCILLANTE TRACK CONTROL ARM	3)	
1215144	352375	SILENTBLOCK ESTREMO OUTER BUSHING		
1215145	96110483	SILENTBLOCK CENTRALE CENTRAL BUSHING		
1215616	352383	SILENTBLOCK ESTREMO OUTER BUSHING		

DESTRO
RIGHT

 SINISTRO
LEFT

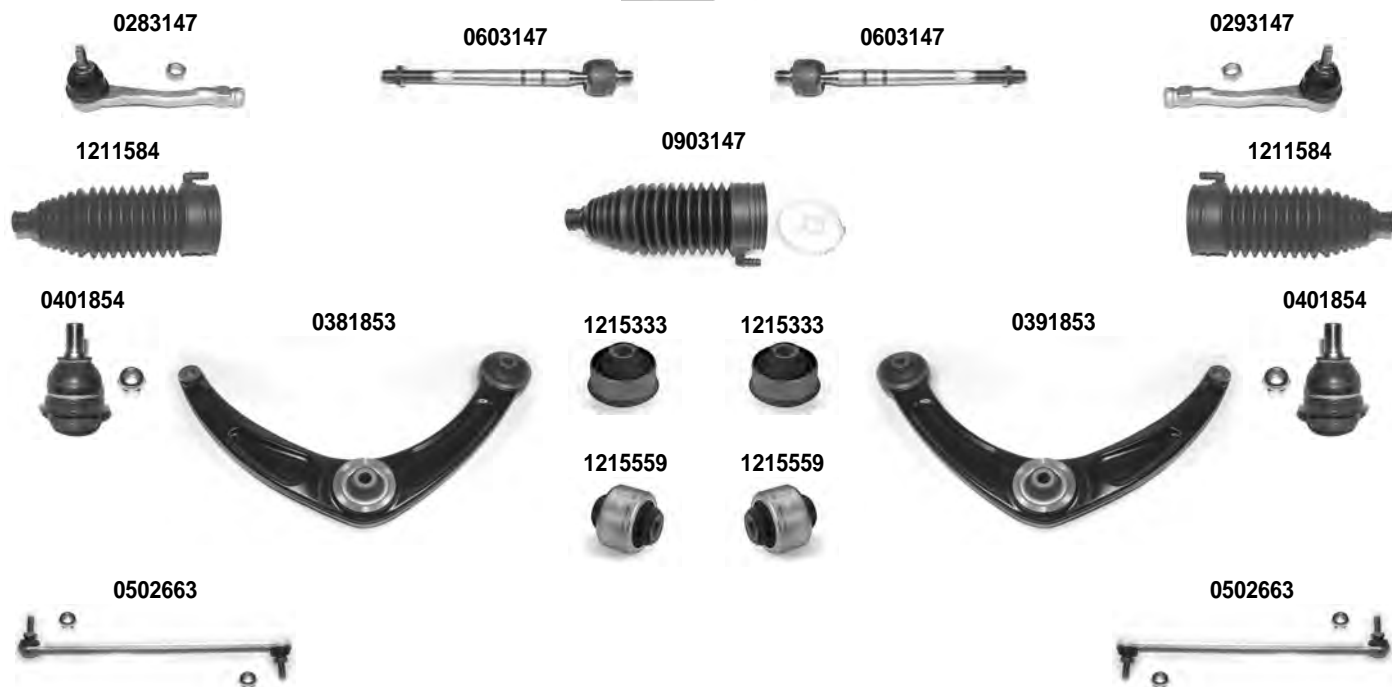
PARTNER

04/2008 >

Asse Anteriore



Front Axle



OCAP	O.E.		
0283147	381775	TESTA STERZO TIE ROD END	RHT M14x1,5
0293147	381776	TESTA STERZO TIE ROD END	RHT M14x1,5
0381853	3521P3	BRACCIO OSCILLANTE - INFERIORE - ACCIAIO TRACK CONTROL ARM - LOWER - STEEL	
0391853	3520S2	BRACCIO OSCILLANTE - INFERIORE - ACCIAIO TRACK CONTROL ARM - LOWER - STEEL	
0401854	364073	SNODO SOSPENSIONE - INFERIORE BALL JOINT - LOWER	
0502663	508757	STABILIZZATORE STABILIZER LINK	
0603147	3812F4	SNODO ASSIALE AXIAL JOINT	RHT M14x1,5
0903147	406685	KIT CUFFIE STERZO STEERING GAITER KIT	
1211584	406685 *	CUFFIA STERZO STEERING GAITER	
1215333	352392	SILENTBLOCK ESTREMO OUTER BUSHING	
1215559	352391	SILENTBLOCK CENTRALE CENTRAL BUSHING	

DESTRO
RIGHT



SINISTRO
LEFT

1007

04/2005 >

Asse Anteriore

Front Axle



OCAP	O.E.			
0281508	381756	TESTA STERZO TIE ROD END		RHT M14x1,5
0291508	381755	TESTA STERZO TIE ROD END		RHT M14x1,5
0402355	364066	SNODO SOSPENSIONE BALL JOINT		
0500488	508745	STABILIZZATORE STABILIZER LINK		
0601509	3812E1	SNODO ASSIALE AXIAL JOINT		RHT M14x1,5
0782355	3521N7	BRACCIO OSCILLANTE TRACK CONTROL ARM		
0792355	3520R6	BRACCIO OSCILLANTE TRACK CONTROL ARM		
0901508	406669	KIT CUFFIE STERZO STEERING GAITER KIT		
1211401	406669 *	CUFFIA STERZO STEERING GAITER		
1215618	352398	SILENTBLOCK CENTRALE CENTRAL BUSHING		
1215619	3523AA	SILENTBLOCK ESTREMO OUTER BUSHING		

DESTRO
RIGHT

 SINISTRO
LEFT

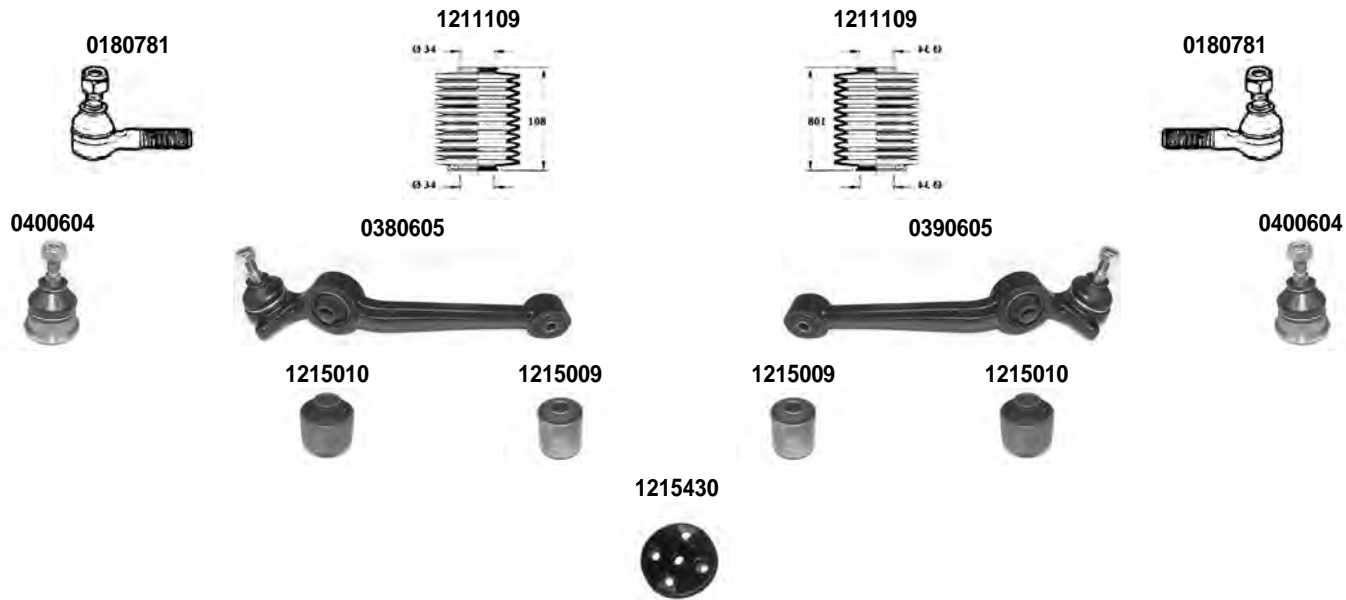
104

> 1979

Asse Anteriore



Front Axle


i 1) 05/1975 >

OCAP	O.E.		i	
0180781	-	TESTA STERZO TIE ROD END		LHT M14x1,5
0380605	91504359	BRACCIO OSCILLANTE - INFERIORE TRACK CONTROL ARM - LOWER	1)	
0390605	91504358	BRACCIO OSCILLANTE - INFERIORE TRACK CONTROL ARM - LOWER	1)	
0400604	91504248	SNODO SOSPENSIONE - INFERIORE SUSPENSION JOINT - LOWER		
1211109	406614	CUFFIE STERZO STEERING GAITER		
1215009	352320	SILENTBLOCK ESTREMO OUTER BUSHING		
1215010	352314	SILENTBLOCK CENTRALE CENTRAL BUSHING		
1215430	404014	GIUNTO SCATOLA STERZO STEERING BOX JOINT		

DESTRO
RIGHT



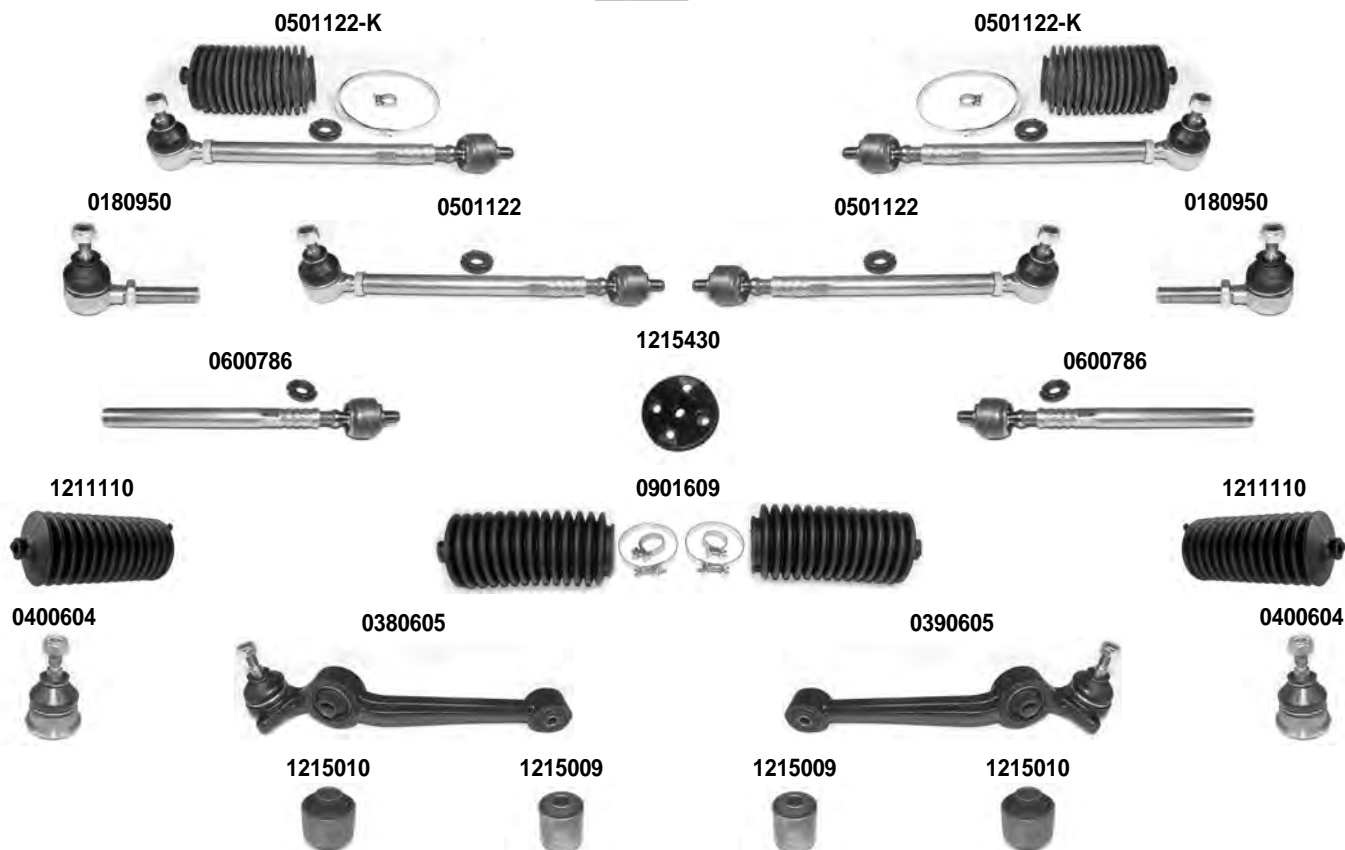
SINISTRO
LEFT

104		1980 >
-----	--	--------

Asse Anteriore



Front Axle



OCAP	O.E.		
0180950	381718	TESTA STERZO TIE ROD END	RHT M14x1,5
0380605	352123	BRACCIO OSCILLANTE - INFERIORE TRACK CONTROL ARM - LOWER	
0390605	352034	BRACCIO OSCILLANTE - INFERIORE TRACK CONTROL ARM - LOWER	
0400604	91504248	SNODO SOSPENSIONE INFERIORE SUSPENSION JOINT - LOWER	
0501122	381215 *	BARRA STERZO TIE ROD	
0600786	381215 **	SNODO ASSIALE AXIAL JOINT	RHT M14x1,5
0901609	406615 *	KIT CUFFIE STERZO STEERING GAITER KIT	
1211110	406615	CUFFIA STERZO STEERING GAITER	
1215009	352320	SILENTBLOCK ESTREMO OUTER BUSHING	
1215010	352314	SILENTBLOCK CENTRALE CENTRAL BUSHING	
1215430	404014	GIUNTO SCATOLA STERZO STEERING BOX JOINT	
0501122-K	381215	BARRA STERZO CON KIT TIE ROD WITH KIT ASSEMBLY	

DESTRO
RIGHT



SINISTRO
LEFT

106

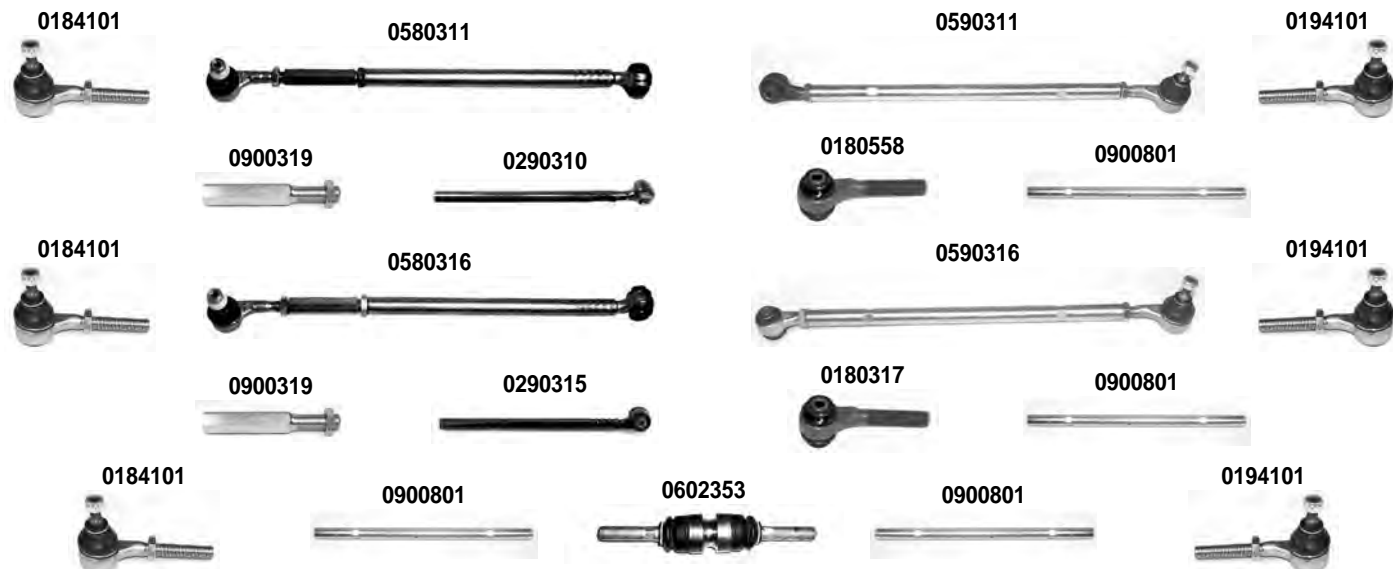
106

1991 > 05/2003

Asse Anteriore



Front Axle



i 1) SINO A - TO: > RP. 07232
3) SERVOSTERZO - POWER STEERING

2) STERZO MANUALE - MANUAL STEERING
4) DA - FROM: RP. 07233 >

OCAP	O.E.		i	
0180317	381733	TESTA STERZO TIE ROD END	1)	
0180558	381732	TESTA STERZO TIE ROD END	1) 2)	
0184101	381742	TESTA STERZO TIE ROD END		RHT M14x1,5
0194101	381741	TESTA STERZO TIE ROD END		RHT M14x1,5
0290310	381735	TESTA STERZO TIE ROD END	1) 2)	
0290315	381736	TESTA STERZO TIE ROD END	1) 3)	
0580311	381286	BARRA STERZO TIE ROD	1) 2)	
0580316	381288	BARRA STERZO TIE ROD	1) 3)	
0590311	381285	BARRA STERZO TIE ROD	1) 2)	
0590316	381287	BARRA STERZO TIE ROD	1) 3)	
0602353	381747	GIUNTO STERZO AXIAL JOINT	4)	
0900319	381734	GIUNTO COLLEGAMENTO TIE ROD CONNECTOR	1)	
0900801	3812A0	GIUNTO COLLEGAMENTO TIE ROD CONNECTOR		

DESTRO
RIGHT



SINISTRO
LEFT

106		1991 > 05/2003
------------	--	----------------

Asse Anteriore



Front Axle



<p>i 2) STERZO MANUALE - MANUAL STEERING 5) MOD. 1.5 D - 1.6i 7) ECCETTO - EXCEPT - MOD. 16S - RALLYE - Xsi</p>	<p>3) SERVOSTERZO - POWER STEERING 6) MOD. 1.0i/1.1i/1.3i/1.4D/1.5D</p>
--	---

OCAP	O.E.		i	
0380313	352079	BRACCIO OSCILLANTE TRACK CONTROL ARM	7)	
0390313	352078	BRACCIO OSCILLANTE TRACK CONTROL ARM	7)	
0400199	364036	SNODO SOSPENSIONE SUSPENSION JOINT		DIAM. 16 mm.
0900310	406633 *	KIT CUFFIE STERZO STEERING GAITER KIT	5)	
0900311	406634 *	KIT CUFFIE STERZO STEERING GAITER KIT	6)	
1211170	406632	CUFFIA STERZO STEERING GAITER		
1211189	406648	CUFFIA STERZO STEERING GAITER	2)	
1211256	406633	CUFFIA STERZO STEERING GAITER	5)	
1211258	406634	CUFFIA STERZO STEERING GAITER	6)	
1211295	406650	CUFFIA STERZO STEERING GAITER	3)	
1215058	352351	SILENTBOLCK ESTREMO OUTER BUSHING		DIAM. INT. 16,8 mm.
1215275	352350	SILENTBLOCK CENTRALE CENTRAL BUSHING		

DESTRO
RIGHT



SINISTRO
LEFT

106

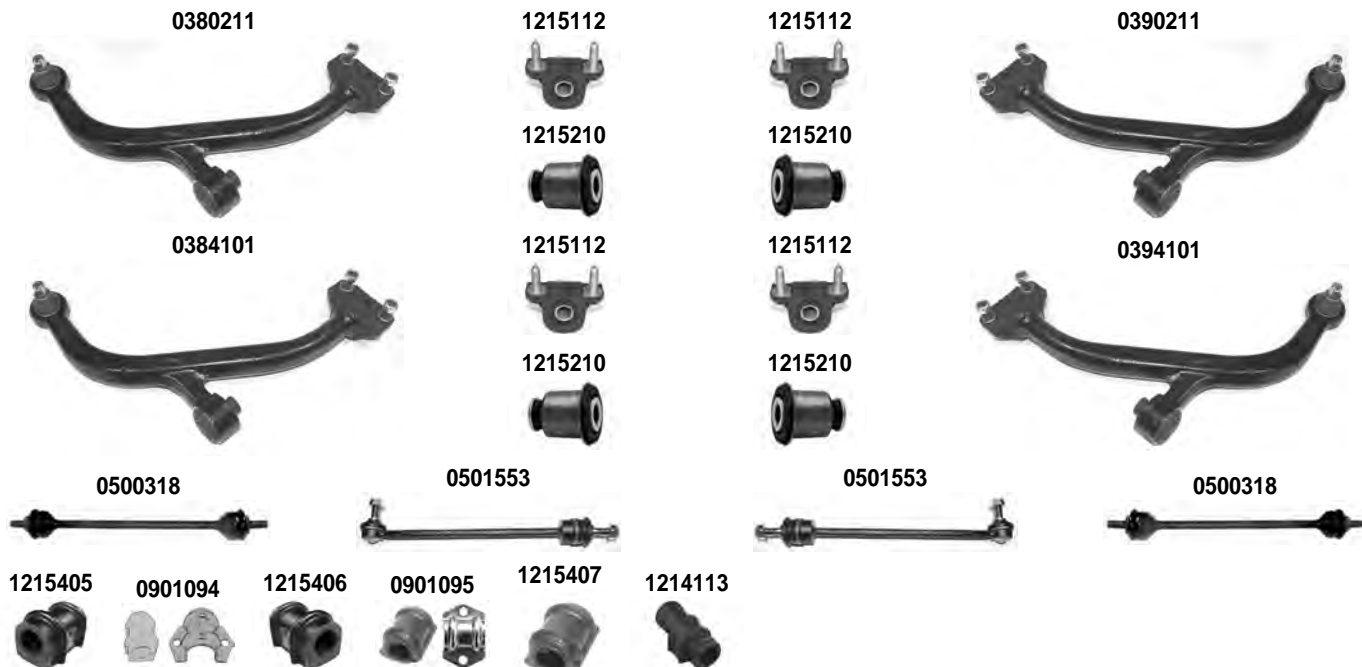
106

1991 > 05/2003

Asse Anteriore



Front Axle



i 8) SOLO PER - ONLY FOR - MOD. 16S - RALLYE - Xsi 9) > 05/1995 **8) SOLO PER - ONLY FOR - MOD. 16S - RALLYE - Xsi 10) 06/1995 >**

OCAP	O.E.		i	
0380211	352093	BRACCIO OSCILLANTE - GHISA TRACK CONTROL ARM - CAST IRON	8)	
0384101	352093	BRACCIO OSCILLANTE - ACCIAIO TRACK CONTROL ARM - STEEL	8)	
0390211	352092	BRACCIO OSCILLANTE - GHISA TRACK CONTROL ARM - CAST IRON	8)	
0394101	352092	BRACCIO OSCILLANTE - ACCIAIO TRACK CONTROL ARM - STEEL	8)	
0500318	508733	STABILIZZATORE STABILIZER LINK	8) 9)	
0501553	508740	STABILIZZATORE STABILIZER LINK	8) 10)	
0901094	509457 *	KIT BARRA STABILIZZATRICE STABILIZING BAR KIT		DIAM. 21 mm.
0901095	509735 *	KIT BARRA STABILIZZATRICE STABILIZING BAR KIT		DIAM. 20 mm.
1214113	509459	SILENTBLOCK BARRA STABILIZZATRICE STABILIZING BAR BUSHING		DIAM. 19 mm.
1215112	352353	SILENTBLOCK ESTREMO OUTER BUSHING	8)	
1215210	352352	SILENTBLOCK CENTRALE CENTRAL BUSHING	8)	
1215405	509456	BOCCOLA BARRA STABILIZZATRICE STABILIZING BAR BUSHING		DIAM. 19 mm.
1215406	509457	BOCCOLA BARRA STABILIZZATRICE STABILIZING BAR BUSHING		DIAM. 21 mm.
1215407	509458	BOCCOLA BARRA STABILIZZATRICE STABILIZING BAR BUSHING		DIAM. 20 mm.

DESTRO
RIGHT

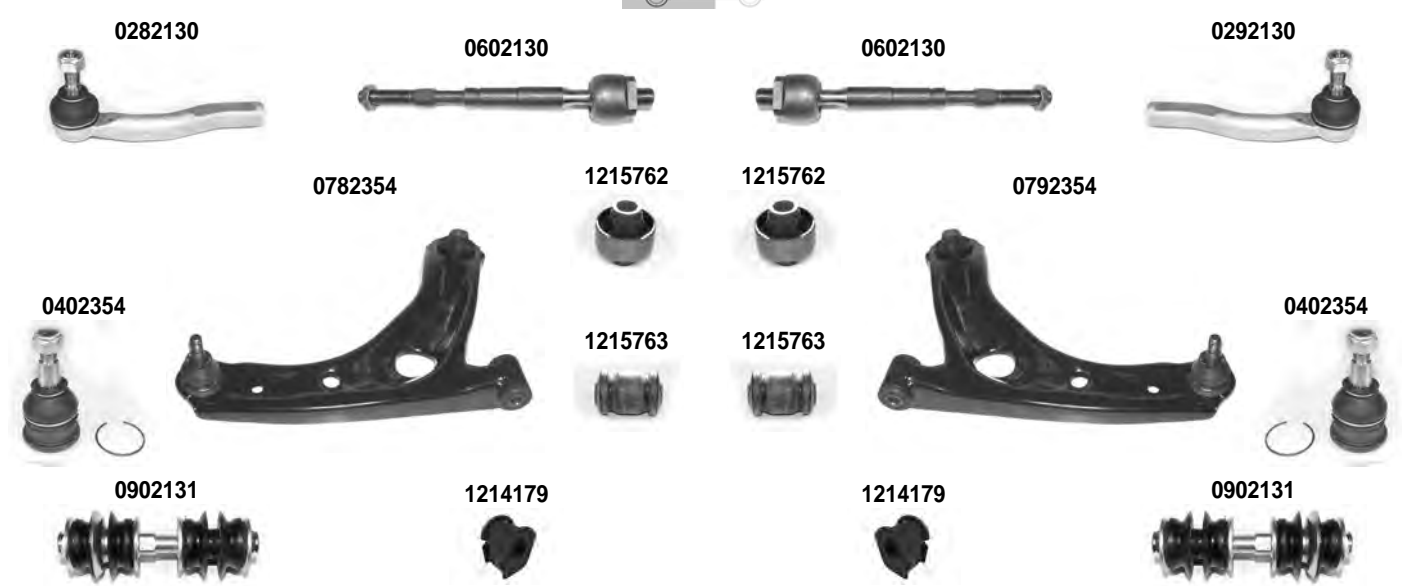


SINISTRO
LEFT

107		06/2005 >
------------	--	-----------

Asse Anteriore

Front Axle



OCAP	O.E.		
0282130	381764	TESTA STERZO TIE ROD END	RHT M12x1,25
0292130	381763	TESTA STERZO TIE ROD END	RHT M12x1,25
0402354	3521L3 *	SNODO SOSPENSIONE BALL JOINT	
0602130	4001.33 *	SNODO ASSIALE AXIAL JOINT	RHT M12x1,25
0782354	3521L3	BRACCIO OSCILLANTE TRACK CONTROL ARM	
0792354	3520Q2	BRACCIO OSCILLANTE TRACK CONTROL ARM	
0902131	5094A7	KIT PUNTONE STABILIZER LINK KIT	
1214179	5094A8	SILENTBLOCK BARRA STABILIZZATRICE STABILIZING BAR BUSHING	DIAM. 22 mm.
1215762	3521L3 **	SILENTBLOCK ESTREMO OUTER BUSHING	
1215763	3521L3 **	SILENTBLOCK CENTRALE CENTRAL BUSHING	

DESTRO
RIGHT

 SINISTRO
LEFT

108



05/2014 >

Asse Anteriore



Front Axle



OCAP	O.E.		
0282130	381764	TESTA STERZO TIE ROD END	RHT M12x1,25
0292130	381763	TESTA STERZO TIE ROD END	RHT M12x1,25
0402354	3521L3 *	SNODO SOSPENSIONE BALL JOINT	
0602130	4001.33 *	SNODO ASSIALE AXIAL JOINT	RHT M12x1,25
0782131	B000770180	BRACCIO OSCILLANTE TRACK CONTROL ARM	
0792131	B000770280	BRACCIO OSCILLANTE TRACK CONTROL ARM	
0902131	509110	KIT PUNTONE STABILIZER LINK KIT	
1215762	48655-0H010	SILENTBLOCK ESTREMO OUTER BUSHING	
1215763	48654-0H010	SILENTBLOCK CENTRALE CENTRAL BUSHING	

DESTRO
RIGHT



SINISTRO
LEFT

204 204 - 304		> 1969 1969 >
------------------	--	------------------

Asse Anteriore



Front Axle

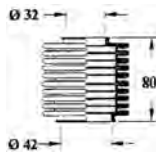
0180788



0180789



1211259



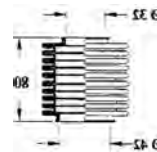
0190788



0190789



1211259



0900793



i 1) > 1969	2) > 03/1978
--------------------	--------------

OCAP	O.E.		i	
0180788	381329	TESTA STERZO TIE ROD END	1)	
0180789	381412	TESTA STERZO TIE ROD END	2)	
0190788	381406	TESTA STERZO TIE ROD END	1)	
0190789	381339	TESTA STERZO TIE ROD END	2)	
0900793	389917	KIT RIPARAZIONE REPAIRING KIT		
1211259	406609	CUFFIA STERZO STEERING GAITER		

DESTRO
RIGHT

 SINISTRO
LEFT

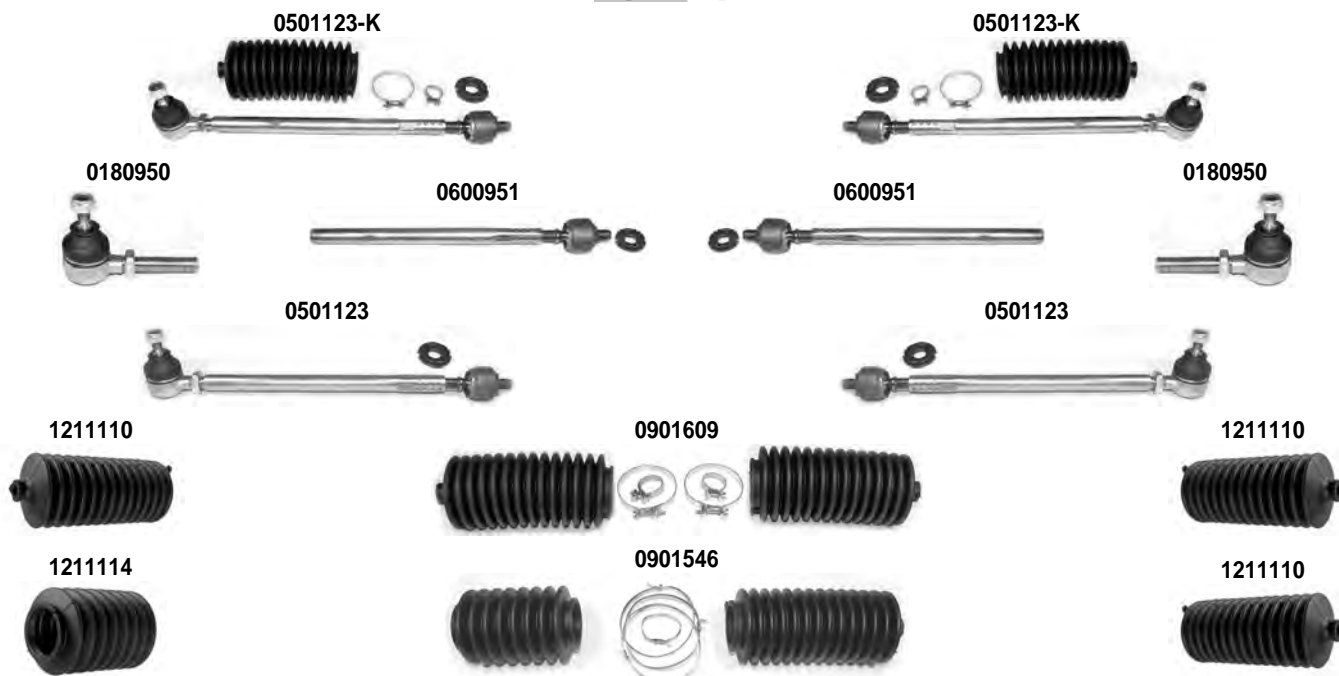
 205
205 GTI - RALLYE

 1983 >
1983 >

Asse Anteriore



Front Axle



1) STERZO MANUALE - MANUAL STEERING		2) SERVOSTERZO - POWER STEERING	
OCAP	O.E.		
0180950	381718	TESTA STERZO TIE ROD END	RHT M14x1,5
0501123	381232 *	BARRA STERZO TIE ROD	
0600951	381225	SNODO ASSIALE CON KIT AXIAL JOINT WITH KIT ASSEMBLY	RHT M14x1,5
0901546	406622 *	KIT CUFFIE STERZO STEERING GAITER KIT	2)
0901609	406615 *	KIT CUFFIE STERZO STEERING GAITER KIT	1)
1211110	406615	CUFFIA STERZO STEERING GAITER	
1211114	406622	CUFFIA STERZO STEERING GAITER	2)
0501123-K	381232	BARRA STERZO CON KIT TIE ROD WITH KIT ASSEMBLY	

205

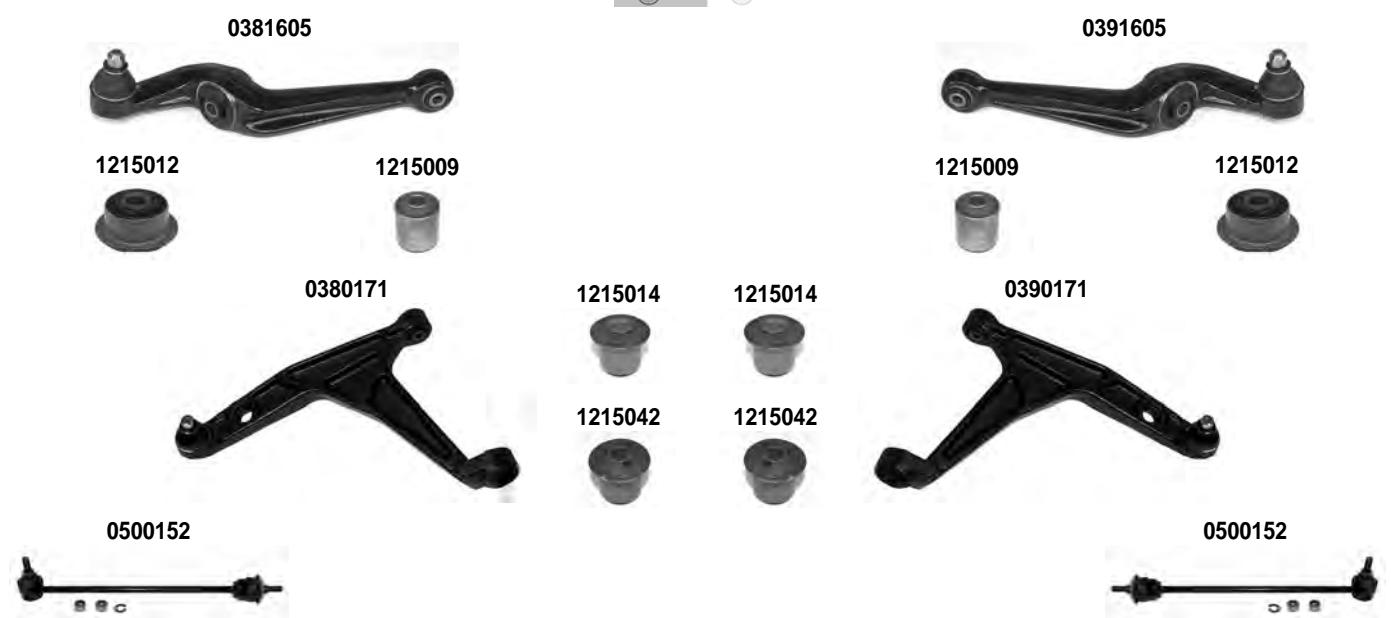
DESTRO
RIGHT



SINISTRO
LEFT

205 205 GTI - RALLYE	1983 > 1983 >
-------------------------	------------------

Asse Anteriore Front Axle



i 3) SOLO PER - ONLY FOR: 205 GTI - RALLYE

OCAP	O.E.		i	
0380171	352137	BRACCIO OSCILLANTE - INFERIORE TRACK CONTROL ARM - LOWER	3)	
0381605	352134	BRACCIO OSICLLANTE - INFERIORE TRACK CONTROL ARM - LOWER		
0390171	352054	BRACCIO OSCILLANTE - INFERIORE TRACK CONTROL ARM - LOWER	3)	
0391605	352051	BRACCIO OSICLLANTE - INFERIORE TRACK CONTROL ARM - LOWER		
0500152	508732	STABILIZZATORE STABILIZER LINK	3)	
1215009	352320	SILENTBLOCK ESTREMO OUTER BUSHING		
1215012	352349	SILENTBLOCK CENTRALE CENTRAL BUSHING		
1215014	352331	SILENTBLOCK CENTRALE CENTRAL BUSHING	3)	
1215042	352323	SILENTBLOCK ESTREMO OUTER BUSHING	3)	

DESTRO
RIGHT

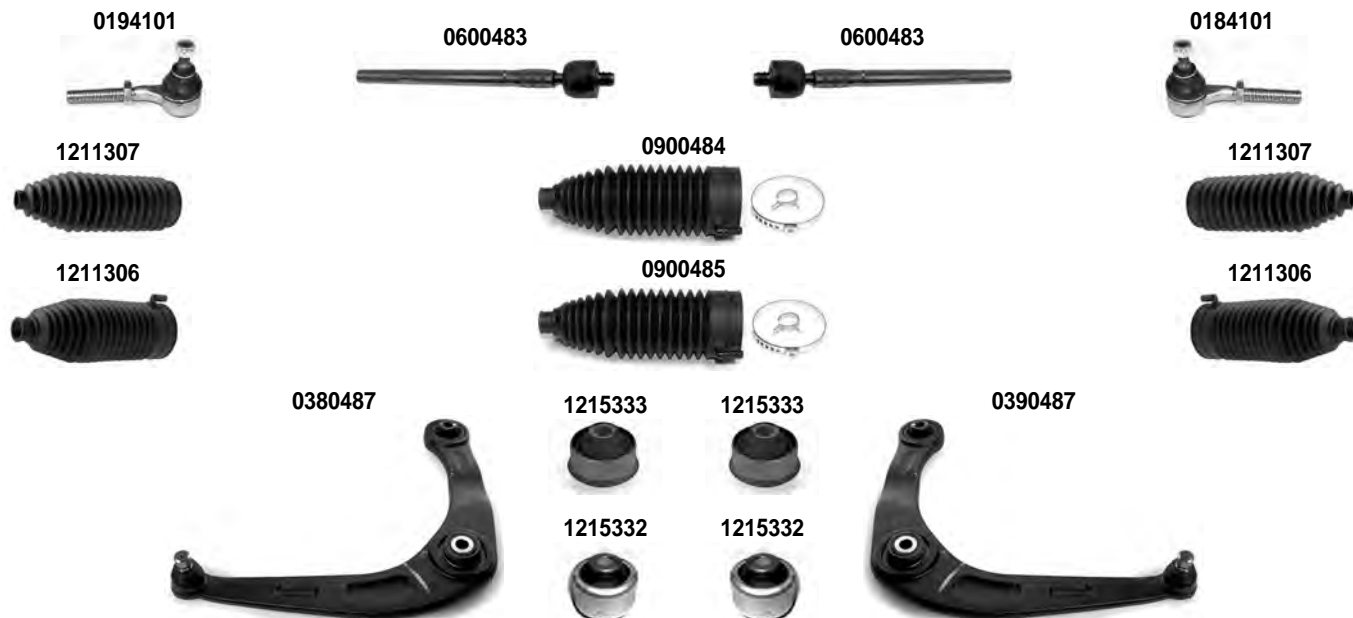
 SINISTRO
LEFT

206

1998 >

Asse Anteriore

Front Axle



i 1) STERZO MANUALE - MANUAL STEERING
 3) ECCETTO - EXCEPT - MOD. MOTORI 16V - > R.P. 09440

2) SERVOSTERZO - POWER STEERING

OCAP	O.E.		i	
0184101	381742	TESTA STERZO TIE ROD END		RHT M14x1,5
0194101	381741	TESTA STERZO TIE ROD END		RHT M14x1,5
0380487	3521C8	BRACCIO OSCILLANTE TRACK CONTROL ARM	3)	
0390487	3520G8	BRACCIO OSCILLANTE TRACK CONTROL ARM	3)	
0600483	3812C5	SNODO ASSIALE AXIAL JOINT		RHT M14x1,5
0900484	406656 *	KIT CUFFIE STERZO STEERING GAITER KIT	1)	
0900485	406657 *	KIT CUFFIE STERZO STEERING GAITER KIT	2)	
1211306	406657	CUFFIA STERZO STEERING GAITER	2)	
1211307	406656	CUFFIA STERZO STEERING GAITER	1)	
1215332	352376	SILENTBLOCK CENTRALE CENTRAL BUSHING	3)	
1215333	352377	SILENTBLOCK ESTREMO OUTER BUSHING	3)	

DESTRO
RIGHT



SINISTRO
LEFT

206		1998 >
-----	--	--------

Asse Anteriore



Front Axle



i 4) ECCEETTO - EXCEPT - MOD. MOTORI 16V - R.P. 09441 > 5) SOLO PER - ONLY FOR - MOD. MOTORI 16V - 1.4 - 1.6 >
 6) SOLO PER - ONLY FOR - MOD. MOTORI 16V - 1.4 - 1.6 - R.P. 09440 > R.P. 09439 - 2.0 > R.P. 09883

OCAP	O.E.		i	
0382338	3521H9	BRACCIO OSCILLANTE TRACK CONTROL ARM	4)	
0382339	3521K2	BRACCIO OSCILLANTE TRACK CONTROL ARM	5)	
0382340	3521R9	BRACCIO OSCILLANTE TRACK CONTROL ARM	6)	
0392338	3520L7	BRACCIO OSCILLANTE TRACK CONTROL ARM	4)	
0392339	3520P2	BRACCIO OSCILLANTE TRACK CONTROL ARM	5)	
0392340	3520V7	BRACCIO OSCILLANTE TRACK CONTROL ARM	6)	
1215333	352377	SILENTBLOCK ESTREMO OUTER BUSHING	4)	
1215753	3523AG	SILENTBLOCK CENTRALE CENTRAL BUSHING	4)	
1215760	3523AS	GIUNTO A SNODO CENTRALE CENTRAL JOINT		
1215761	352380	SILENTBLOCK ESTREMO OUTER BUSHING		

DESTRO
RIGHT

 SINISTRO
LEFT

206

1998 >

Asse Anteriore



Front Axle

0900487



0500488



0500488



1215334



1214071



1214072



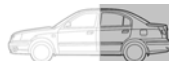
1214073



1249255



Asse Posteriore



Rear Axle

1216390



1216391



1216391



1216390


i 7) PER TUTTI I BRACCI - FOR ALL CONTROL ARMS

OCAP	O.E.		i	
0500488	508745	STABILIZZATORE STABILIZER LINK		
0900487	6925L6 *	KIT RIPARAZIONE BRACCI OSCILLANTI CONTROL ARM REPAIRING KIT	7)	
1214071	509480	BOCCOLA BARRA STABILIZZATRICE STABILIZING BAR BUSHING		DIAM. 19 mm.
1214072	509482	BOCCOLA BARRA STABILIZZATRICE STABILIZING BAR BUSHING		DIAM. 20 mm.
1214073	509495	BOCCOLA BARRA STABILIZZATRICE STABILIZING BAR BUSHING		DIAM. 21 mm.
1215334	509481	BOCCOLA BARRA STABILIZZATRICE STABILIZING BAR BUSHING		DIAM. 18 mm.
1216390	513193	SILENTBLOCK - ANTERIORE BUSHING - FRONT		
1216391	513194	SILENTBLOCK - POSTERIORE BUSHING - REAR		
1249255	509743	STAFFA BARRA STABILIZZATRICE BRACKET FOR STABILIZING BAR		

DESTRO
RIGHT

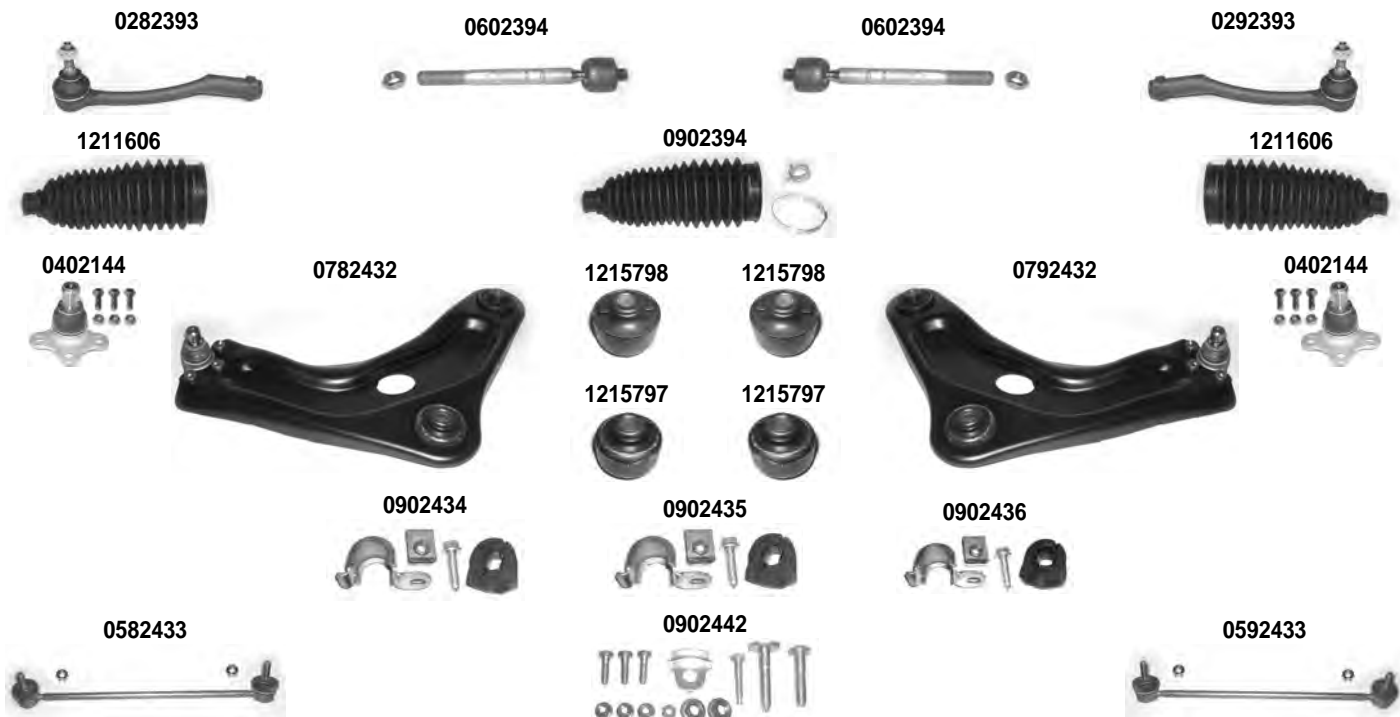


SINISTRO
LEFT

207		02/2006 >
-----	--	-----------

Asse Anteriore

Front Axle



OCAP	O.E.			
0282393	381768	TESTA STERZO TIE ROD END		RHT M16 x1,5
0292393	381767	TESTA STERZO TIE ROD END		RHT M16 x1,5
0402144	364056	SNODO SOSPENSIONE BALL JOINT		
0582433	508755	STABILIZZATORE STABILIZER LINK		
0592433	508754	STABILIZZATORE STABILIZER LINK		
0602394	3812E8	SNODO ASSIALE AXIAL JOINT		
0782432	3521N8	BRACCIO OSCILLANTE TRACK CONTROL ARM		
0792432	3520R7	BRACCIO OSCILLANTE TRACK CONTROL ARM		
0902394	406680	KIT CUFFIA STERZO STEERING GAITER KIT		
0902434	5094C1 *	KIT RIPARAZIONE COMPLETO BARRA STABILIZZATRICE COMPLETE REPAIRING STABILIZING BAR KIT		DIAM. 19,5 mm.
0902435	5094C2 *	KIT RIPARAZIONE COMPLETO BARRA STABILIZZATRICE COMPLETE REPAIRING STABILIZING BAR KIT		DIAM. 21 mm.
0902436	5094C3 *	KIT RIPARAZIONE COMPLETO BARRA STABILIZZATRICE COMPLETE REPAIRING STABILIZING BAR KIT		DIAM. 22 mm.
0902442	352275 *	KIT RIPARAZIONE COMPLETO BRACCIO OSCILLANTE COMPLETE REPAIRING KIT CONTROL ARM		
1211606	406680 *	CUFFIA STERZO STEERING GAITER		
1215797	3523EC	SILENTBLOCK CENTRALE CENTRAL BUSHING		
1215798	3523CC	SILENTBLOCK ESTREMO OUTER BUSHING		

DESTRO
RIGHT



SINISTRO
LEFT

207

02/2006 >

Asse Posteriore





Rear Axle

1216392



1216392



OCAP	O.E.		i	
1216392	5131E9	SILENTBLOCK BUSHING		

DESTRO
RIGHT

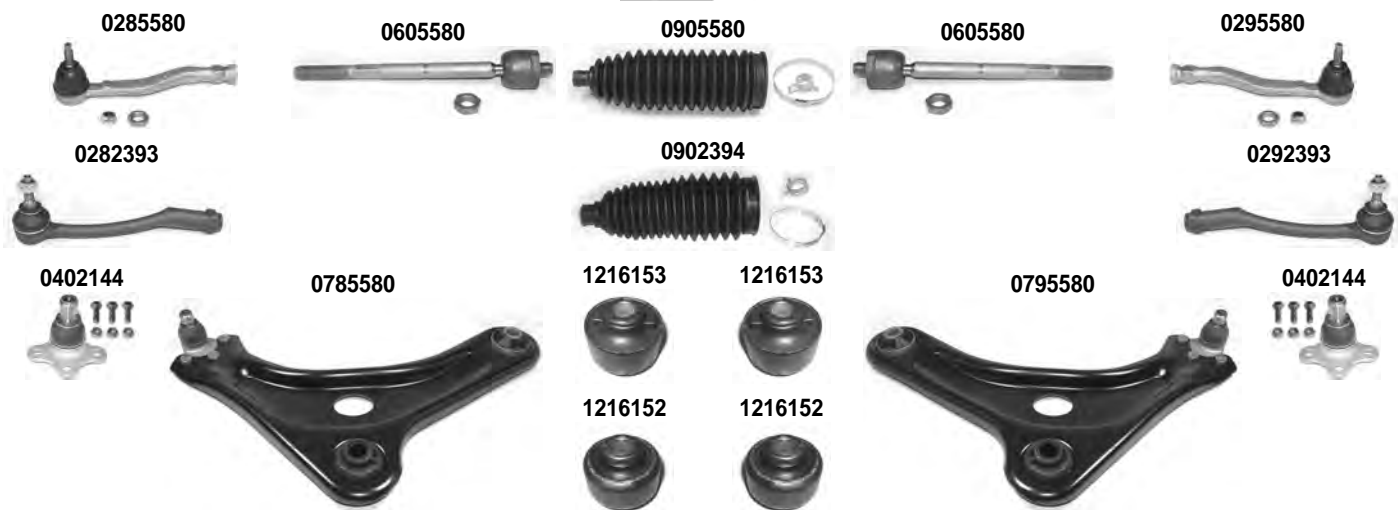


SINISTRO
LEFT

208		02/2012 >
-----	--	-----------

Asse Anteriore

Front Axle



<p>i 1) ECCElTO - EXCEPT - 1.6 THP 16V 3) PER SOSPENSIONE NORMALE - ECCElTO Gti - FOR NORMAL SUSPENSION - EXCEPT Gti</p>	<p>2) SOLO PER - ONLY FOR - 1.6 THP 16V 4) PER SOSPENSIONE NORMALE - ECCElTO Gti - PERNO RUOTA DIAM. 72 O DIAM. 82 E DISCO ANT. DIAM. 266 - SP. 22 - FOR NORMAL SUSPENSION - EXCEPT Gti - 72 DIAM. OR 82 DIAM. WHEEL HUB CARRIER AND FRONT DISC DIAM. 266 THICKNESS 22</p>
---	--

OCAP	O.E.			
0282393	381768	TESTA STERZO TIE ROD END	i	
0285580	1608025280	TESTA STERZO TIE ROD END	2)	RHT M16 x1,5
0292393	381767	TESTA STERZO TIE ROD END	1)	RHT M14 x1,5
0295580	1608025180	TESTA STERZO TIE ROD END	2)	RHT M16 x1,5
0402144	364056	SNODO SOSPENSIONE BALL JOINT	1)	RHT M14 x1,5
0605580	1608025380	SNODO ASSIALE AXIAL JOINT	3)	
0785580	9670771480	BRACCIO OSCILLANTE TRACK CONTROL ARM	1)	RHT M14 x1,5
0795580	9670772080	BRACCIO OSCILLANTE TRACK CONTROL ARM	4)	
0902394	406680	KIT CUFFIA STERZO STEERING GAITER KIT	4)	
0905580	1608025480	KIT CUFFIA STERZO STEERING GAITER KIT	2)	
1216152	9670771480 *	SILENTBLOCK CENTRALE CENTRAL BUSHING	1)	
1216153	9670772080 *	SILENTBLOCK ESTREMO OUTER BUSHING		

DESTRO
RIGHT

 SINISTRO
LEFT

208

02/2012 >

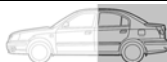
Asse Anteriore



Front Axle



Asse Posteriore



Rear Axle

1216238



1216238



5) PER GTI E SOSPENSIONE RIALZATA - FOR GTi - ADJUSTABLE SUSPENSION
 7) DISCO ANTERIORE DIAM. 266 - SP. 22 - FRONT DISC DIAMETER 266 THICKNESS 22

6) PER SOSPENSIONE NORMALE - ECCETTO GTi - PERNO RUOTA DIAM. 82 E DISCO ANT. DIAM. 302 - SP. 26 - FOR NORMAL SUSPENSION - EXCEPT GTi - 82 DIAM. WHEEL HUB CARRIER AND FRONT DISC DIAM. 302 THICKNESS 26

8) DISCO ANTERIORE DIAM. 302 - SP. 26 - FRONT DISC DIAMETER 302 THICKNESS 26

OCAP	O.E.		i	
0402144	364056	SNODO SOSPENSIONE BALL JOINT	6)	
0404600	364077	SNODO SOSPENSIONE BALL JOINT	5)	
0500488	508745	STABILIZZATORE STABILIZER LINK	7)	
0582433	508768	STABILIZZATORE STABILIZER LINK	8)	
0592433	508769	STABILIZZATORE STABILIZER LINK	8)	
0782432	3521N8	BRACCIO OSCILLANTE TRACK CONTROL ARM	6)	
0792432	3520R7	BRACCIO OSCILLANTE TRACK CONTROL ARM	6)	
1215797	3523EC	SILENTBLOCK CENTRALE CENTRAL BUSHING		
1215798	3523CC	SILENTBLOCK ESTREMO OUTER BUSHING		
1216238	5131H4	SILENTBLOCK BUSHING		

DESTRO
RIGHT



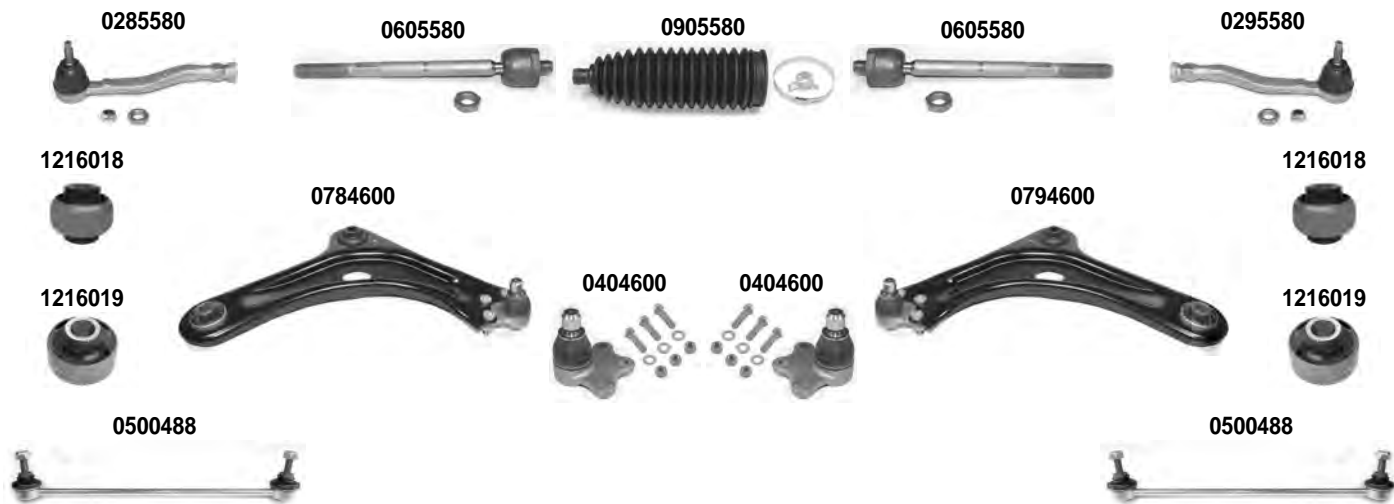
SINISTRO
LEFT

2008

03/2013 >

Asse Anteriore

Front Axle



OCAP	O.E.		
0285580	1608025280	TESTA STERZO TIE ROD END	RHT M14 x1,5
0295580	1608025180	TESTA STERZO TIE ROD END	RHT M14 x1,5
0404600	364077	SNODO SOSPENSIONE - INFERIORE BALL JOINT - LOWER	
0500488	508745	STABILIZZATORE STABILIZER LINK	
0605580	1608025380	SNODO ASSIALE AXIAL JOINT	RHT M14 x1,5
0784600	3521S9	BRACCIO OSCILLANTE - INFERIORE TRACK CONTROL ARM - LOWER	
0794600	3520W7	BRACCIO OSCILLANTE - INFERIORE TRACK CONTROL ARM - LOWER	
0905580	1608025480	KIT CUFFIA STERZO STEERING GAITER KIT	
1216018	3521S9 *	SILENTBLOCK CENTRALE CENTRAL BUSHING	
1216019	3520W7 *	SILENTBLOCK ESTREMO OUTER BUSHING	

DESTRO
RIGHT

 SINISTRO
LEFT

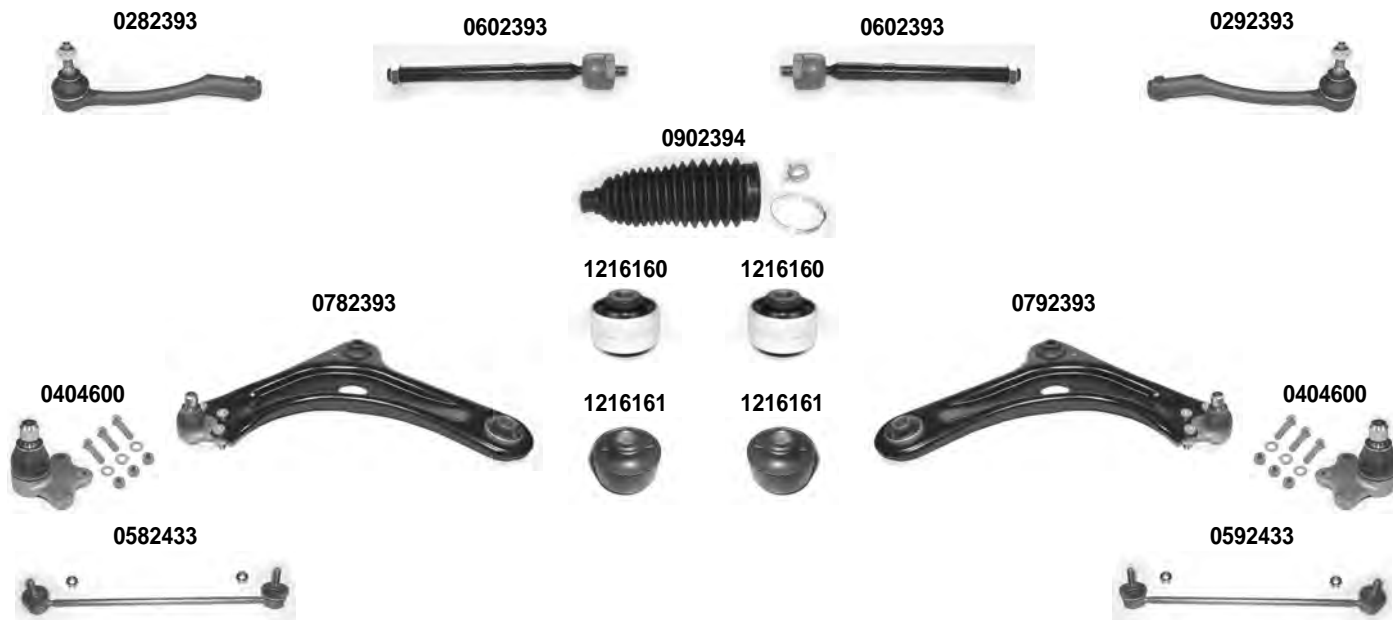
301

11/2012 >

Asse Anteriore



Front Axle



Asse Posteriore



Rear Axle

1216238



1216238



OCAP	O.E.			
0282393	381768	TESTA STERZO TIE ROD END		RHT M16 x1,5
0292393	381767	TESTA STERZO TIE ROD END		RHT M16 x1,5
0404600	364077	SNODO SOSPENSIONE - INFERIORE BALL JOINT - LOWER		
0582433	508768	STABILIZZATORE STABILIZER LINK		
0592433	508769	STABILIZZATORE STABILIZER LINK		
0602393	1608652180	SNODO ASSIALE AXIAL JOINT		RHT M16 x1,5
0782393	9675028880	BRACCIO OSCILLANTE - INFERIORE TRACK CONTROL ARM - LOWER		
0792393	9675031880	BRACCIO OSCILLANTE - INFERIORE TRACK CONTROL ARM - LOWER		
0902394	406680	KIT CUFFIA STERZO STEERING GAITER KIT		
1216160	9677040580	SILENTBLOCK CENTRALE CENTRAL BUSHING		
1216161	9677041080	SILENTBLOCK ESTREMO OUTER BUSHING		
1216238	5131H4	SILENTBLOCK BUSHING		

DESTRO
RIGHT

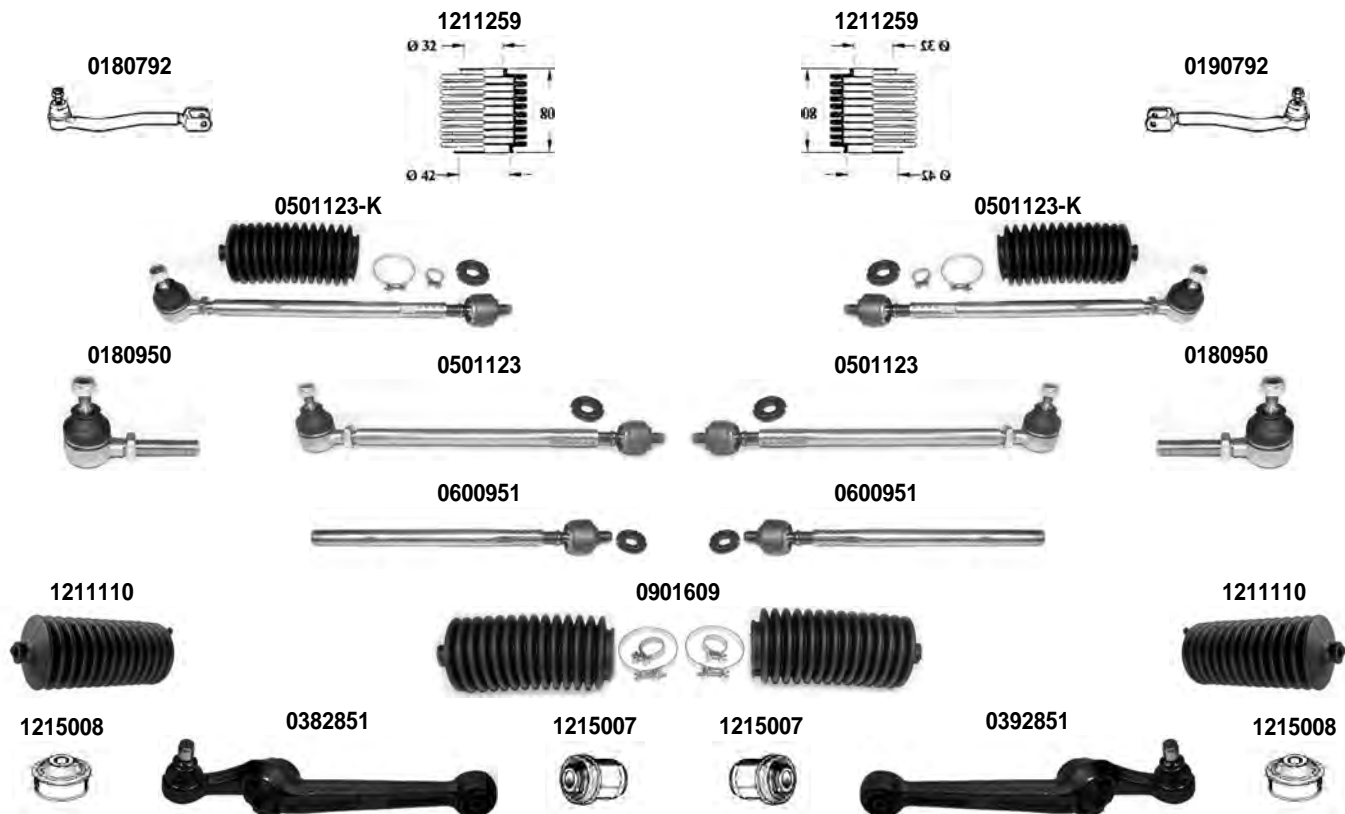


SINISTRO
LEFT

304		1978 > 1980
-----	--	-------------

Asse Anteriore

Front Axle



i 1) > CH. 4205803 3) LATO SINISTRO - LEFT SIDE - CH. 4205804 >	2) CH. 4205804 >
---	------------------

OCAP	O.E.		i	
0180792	381422	TESTA STERZO TIE ROD END	1)	
0180950	381718	TESTA STERZO TIE ROD END	2)	
0190792	381351	TESTA STERZO TIE ROD END	1)	
0382851	352126	BRACCIO OSCILLANTE TRACK CONTROL ARM		
0392851	352037	BRACCIO OSCILLANTE TRACK CONTROL ARM	3)	
0501123	381232 *	BARRA STERZO TIE ROD	2)	
0600951	381225	SNODO ASSIALE AXIAL JOINT	2)	
0901609	406615 *	KIT CUFFIA STERZO STEERING GAITER KIT	2)	
1211110	406615	CUFFIA STERZO STEERING GAITER	2)	
1211259	406609	CUFFIA STERZO STEERING GAITER	1)	
1215007	352317	SILENTBLOCK ESTREMO OUTER BUSHING		
1215008	352326	SILENTBLOCK CENTRALE CENTRAL BUSHING		
0501123-K	381232	BARRA STERZO CON KIT TIE ROD WITH KIT ASSEMBLY	2)	

DESTRO
RIGHT

 SINISTRO
LEFT

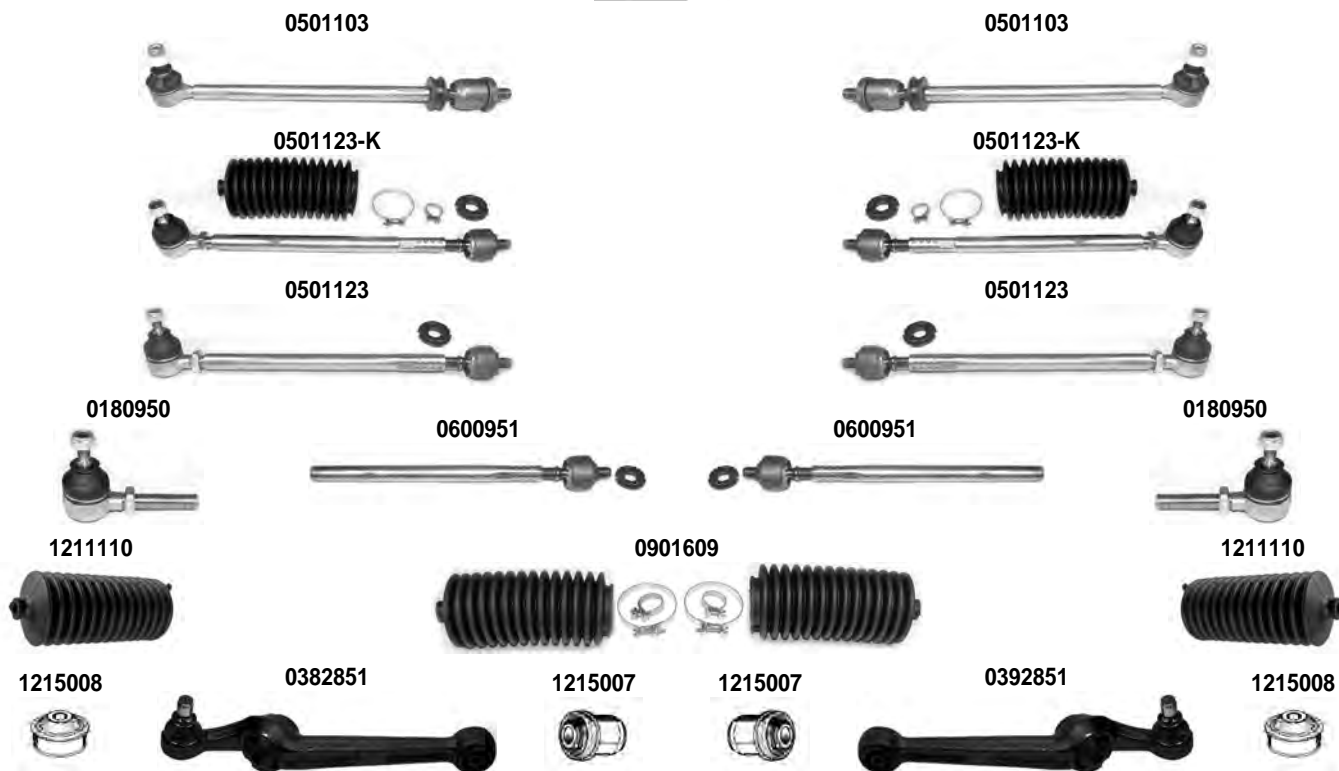
305 (MANUAL STEERING)

> 1982

Asse Anteriore



Front Axle



i 1) > 8139332		2) 8139332 >	
OCAP	O.E.		i
0180950	381718	TESTA STERZO TIE ROD END	RHT M14x1,5
0382851	352126	BRACCIO OSCILLANTE - INFERIORE TRACK CONTROL ARM - LOWER	
0392851	352037	BRACCIO OSCILLANTE - INFERIORE TRACK CONTROL ARM - LOWER	
0501103	381209	BARRA STERZO TIE ROD	1)
0501123	381232 *	BARRA STERZO TIE ROD	
0600951	381225	SNODO ASSIALE CON KIT AXIAL JOINT WITH KIT ASSEMBLY	1) RHT M14x1,5
0901609	406615 *	KIT CUFFIE STERZO STEERING GAITER KIT	
1211110	406615	CUFFIA STERZO STEERING GAITER	
1215007	352317	SILENTBLOCK ESTREMO OUTER BUSHING	
1215008	352326	SILENTBLOCK CENTRALE CENTRAL BUSHING	
0501123-K	381232	BARRA STERZO CON KIT TIE ROD WITH KIT ASSEMBLY	2)

DESTRO
RIGHT



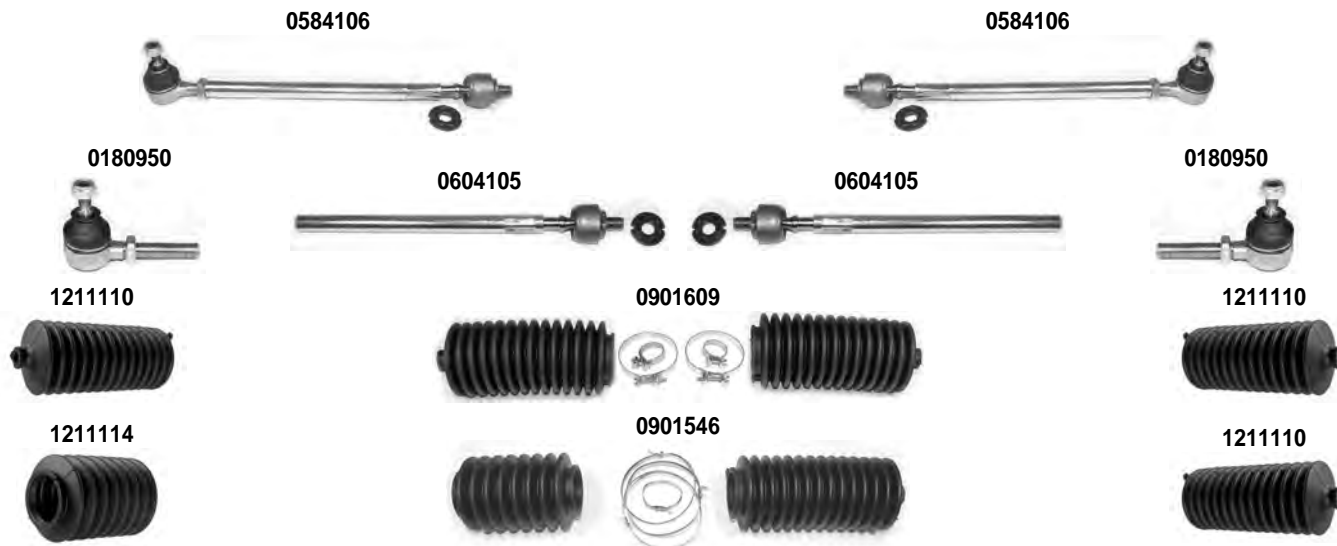
SINISTRO
LEFT

305	1982 > 1984
-----	-------------

Asse Anteriore



Front Axle



i 1) STERZO MANUALE - MANUAL STEERING	2) SERVOSTERZO - POWER STEERING
--	---------------------------------

OCAP	O.E.		i	
0180950	381718	TESTA STERZO <i>TIE ROD END</i>		RHT M14x1,5
0584106	381237	BARRA STERZO <i>TIE ROD</i>		
0604105	381297	SNODO ASSIALE <i>AXIAL JOINT</i>		RHT M14x1,5
0901546	406622 *	KIT CUFFIE STERZO <i>STEERING GAITER KIT</i>	2)	
0901609	406615 *	KIT CUFFIE STERZO <i>STEERING GAITER KIT</i>	1)	
1211110	406615	CUFFIA STERZO <i>STEERING GAITER</i>	1)	
1211114	406622	CUFFIA STERZO <i>STEERING GAITER</i>	2)	

DESTRO
RIGHT

 SINISTRO
LEFT

305

1982 > 1984

Asse Anteriore



Front Axle

1215042



0380173



1215045



1215045



0390173



1215042



0401124



1215049



1215050



0401124



0900486



OCAP	O.E.			
0380173	352144	BRACCIO OSCILLANTE TRACK CONTROL ARM		
0390173	352063	BRACCIO OSCILLANTE TRACK CONTROL ARM		
0401124	364021	SNODO SOSPENSIONE INFERIORE SUSPENSION JOINT - LOWER		
0900486	509435	KIT BARRA STABILIZZATRICE REPAIRING KIT FOR STABILIZING BAR		DIAM. 20 mm.
1215042	352323	SILENTBLOCK CENTRALE CENTRAL BUSHING		
1215045	352324	SILENTBLOCK ESTREMO OUTER BUSHING		
1215049	352807	SILENTBLOCK ESTREMO OUTER BUSHING		
1215050	352806	SILENTBLOCK ESTREMO OUTER BUSHING		

305 (EXCEPT XU ENGINE)

DESTRO
RIGHT



SINISTRO
LEFT

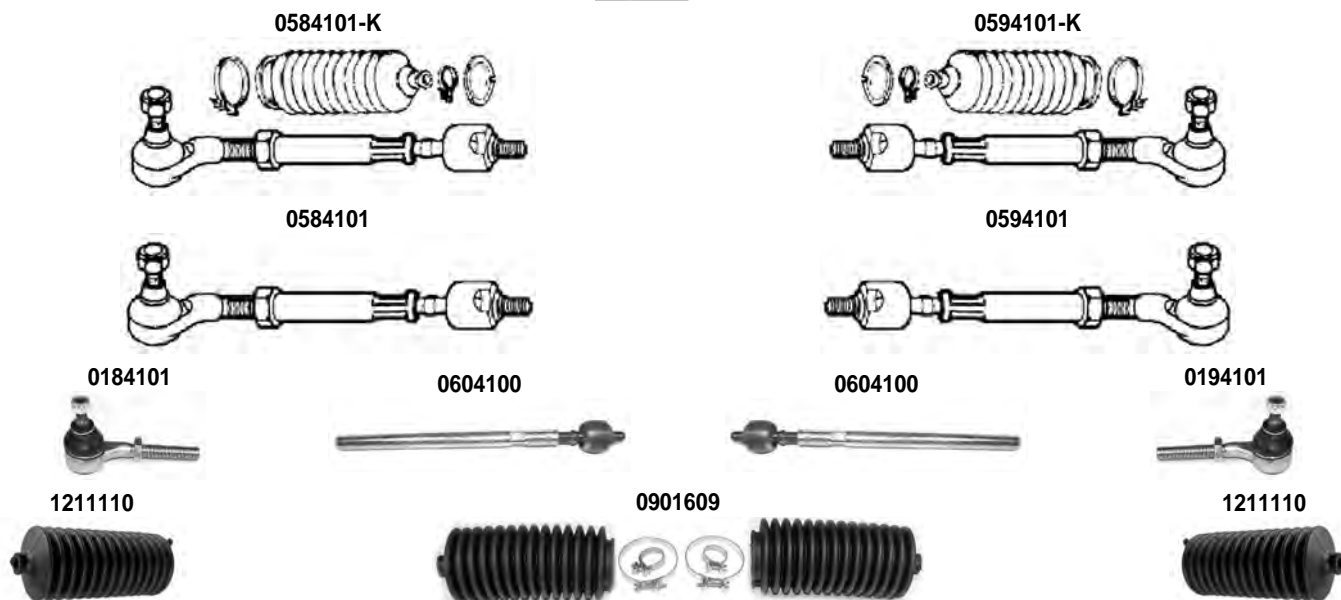
305 (EXCEPT XU ENGINE)

1984 > 1990

Asse Anteriore



Front Axle



i 1) STERZO MANUALE - MANUAL STEERING

OCAP	O.E.		i	
0184101	381742	TESTA STERZO TIE ROD END		RHT M14x1,5
0194101	381741	TESTA STERZO TIE ROD END		RHT M14x1,5
0584101	381231 *	BARRA STERZO TIE ROD		
0594101	381229 *	BARRA STERZO TIE ROD		
0604100	-	SNODO ASSIALE AXIAL JOINT		RHT M14x1,5
0901609	406615 *	KIT CUFFIE STERZO STEERING GAITER KIT	1)	
1211110	406615	CUFFIA STERZO STEERING GAITER	1)	
0584101-K	381231	BARRA STERZO CON KIT TIE ROD WITH KIT ASSEMBLY	1)	
0594101-K	381229	BARRA STERZO CON KIT TIE ROD WITH KIT ASSEMBLY	1)	

DESTRO
RIGHT



SINISTRO
LEFT

305 (EXCEPT XU ENGINE)

1984 > 1990

Asse Anteriore



Front Axle

1215042



0380173



1215045



1215045



0390173



1215042



0401124



1215049



1215050



0401124



0900486



OCAP	O.E.			
0380173	352144	BRACCIO OSCILLANTE - INFERIORE TRACK CONTROL ARM - LOWER		
0390173	352063	BRACCIO OSCILLANTE - INFERIORE TRACK CONTROL ARM - LOWER		
0401124	364021	SNODO SOSPENSIONE INFERIORE SUSPENSION JOINT - LOWER		
0900486	509435	KIT BARRA STABILIZZATRICE REPAIRING KIT FOR STABILIZING BAR		DIAM. 20 mm.
1215042	352323	SILENTBLOCK CENTRALE CENTRAL BUSHING		
1215045	352324	SILENTBLOCK ESTREMO OUTER BUSHING		
1215049	352807	SILENTBLOCK ESTREMO BUSHING END		
1215050	352806	SILENTBLOCK ESTREMO BUSHING END		

305 (EXCEPT XU ENGINE)

305 (XU ENGINE)

DESTRO
RIGHT



SINISTRO
LEFT

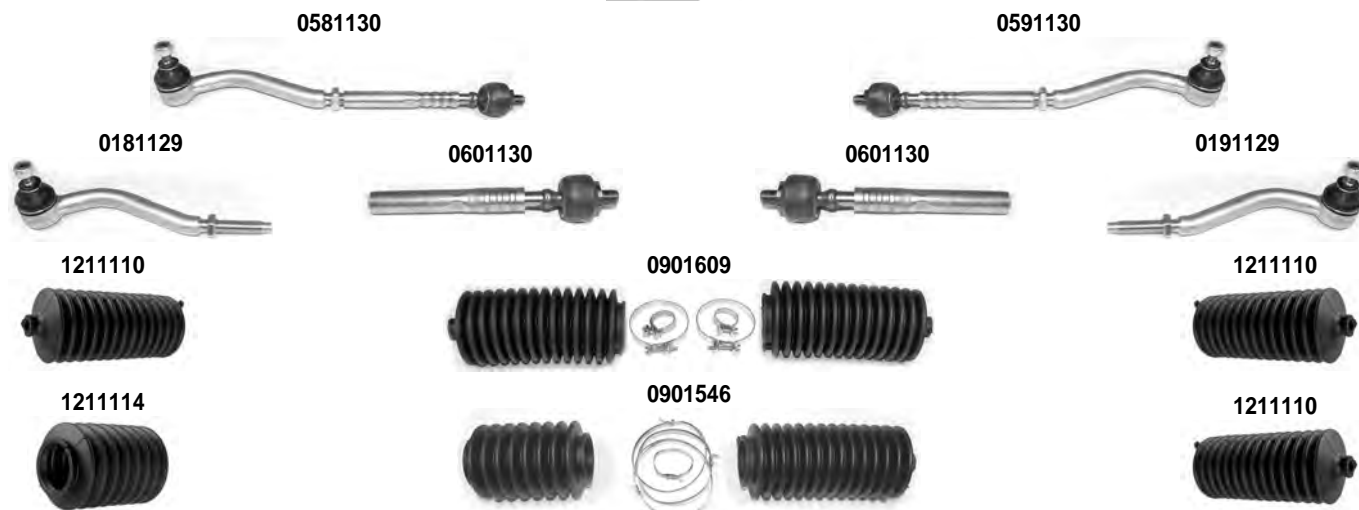
305 (XU ENGINE)

1984 > 1990

Asse Anteriore



Front Axle



i 1) STERZO MANUALE - MANUAL STEERING	2) SERVOSTERZO - POWER STEERING
--	--

OCAP	O.E.		i	
0181129	381722	TESTA STERZO <i>TIE ROD END</i>		RHT M14x1,5
0191129	381721	TESTA STERZO <i>TIE ROD END</i>		RHT M14x1,5
0581130	381250	BARRA STERZO <i>TIE ROD</i>		
0591130	381247	BARRA STERZO <i>TIE ROD</i>		
0601130	381298	SNODO ASSIALE <i>AXIAL JOINT</i>		RHT M14x1,5
0901546	406622 *	KIT CUFFIE STERZO <i>STEERING GAITER KIT</i>	2)	
0901609	406615 *	KIT CUFFIE STERZO <i>STEERING GAITER KIT</i>	1)	
1211110	406615	CUFFIA STERZO <i>STEERING GAITER</i>	1)	
1211114	406622	CUFFIA STERZO <i>STEERING GAITER</i>	2)	

DESTRO
RIGHT

 SINISTRO
LEFT

305 (XU ENGINE)

1984 > 1990

Asse Anteriore



Front Axle

1215042

0380173

1215045

1215045

0390173

1215042

0401124

1215049

1215050

0401124

0900486


OCAP	O.E.			
0380173	352144	BRACCIO OSCILLANTE TRACK CONTROL ARM		
0390173	352063	BRACCIO OSCILLANTE TRACK CONTROL ARM		
0401124	364021	SNODO SOSPENSIONE INFERIORE SUSPENSION JOINT - LOWER		
0900486	509435	KIT BARRA STABILIZZATRICE REPAIRING KIT FOR STABILIZING BAR		DIAM. 20 mm.
1215042	352323	SILENTBLOCK CENTRALE CENTRAL BUSHING		
1215045	352324	SILENTBLOCK ESTREMO OUTER BUSHING		
1215049	352807	SILENTBLOCK ESTREMO OUTER BUSHING		
1215050	352806	SILENTBLOCK ESTREMO OUTER BUSHING		

DESTRO
RIGHT



SINISTRO
LEFT

306		1993 >
-----	--	--------

Asse Anteriore

Front Axle



i 1) STERZO MANUALE - MANUAL STEERING	2) SERVOSTERZO - POWER STEERING
--	--

OCAP	O.E.		i	
0180950	381718	TESTA STERZO TIE ROD END		RHT M14x1,5
0400209	364031	SNODO SOSPENSIONE BALL JOINT	1)	DIAM. 16 mm.
0600281	381292	SNODO ASSIALE AXIAL JOINT		RHT M14x1,5
0780144	3521A1	BRACCIO OSCILLANTE COMPLETO COMPLETE TRACK CONTROL ARM	1)	
0790144	3520F1	BRACCIO OSCILLANTE COMPLETO COMPLETE TRACK CONTROL ARM	1)	
0901546	406622 *	KIT CUFFIE STERZO STEERING GAITER KIT	2)	
0901609	406615 *	KIT CUFFIE STERZO STEERING GAITER KIT	1)	
1211110	406615	CUFFIA STERZO STEERING GAITER	1)	
1211114	406622	CUFFIA STERZO STEERING GAITER	2)	
1215144	352375	SILENTBLOCK ESTREMO OUTER BUSHING		
1215145	96110483	SILENTBLOCK CENTRALE CENTRAL BUSHING		

DESTRO
RIGHT

 SINISTRO
LEFT

306

1993 >

Asse Anteriore

Front Axle



i 2) SERVOSTERZO - POWER STEERING			3) VERSIONE RINFORZATA - REINFORCED VERSION	
OCAP	O.E.		i	
0400210	364037	SNODO SOSPENSIONE <i>BALL JOINT</i>	2)	DIAM. 16 mm.
0501548	508746	STABILIZZATORE <i>STABILIZER LINK</i>		
0505737	508746 *	STABILIZZATORE <i>STABILIZER LINK</i>	3)	
0780143	3521A3	BRACCIO OSCILLANTE COMPLETO <i>COMPLETE TRACK CONTROL ARM</i>	2)	
0790143	352084	BRACCIO OSCILLANTE COMPLETO <i>COMPLETE TRACK CONTROL ARM</i>	2)	
1214249	509463	SILENTBLOCK BARRA STABILIZZATRICE <i>STABILIZING BAR BUSHING</i>		DIAM.17 mm.
1215144	352375	SILENTBLOCK ESTREMO <i>OUTER BUSHING</i>		
1215145	96110483	SILENTBLOCK CENTRALE <i>CENTRAL BUSHING</i>		

DESTRO
RIGHT



SINISTRO
LEFT

306		1997 >
-----	--	--------

Asse Anteriore

Front Axle



i 1) STERZO MANUALE - MANUAL STEERING	2) SERVOSTERZO - POWER STEERING
--	---

OCAP	O.E.		i	
0180950	381750	TESTA STERZO TIE ROD END		RHT M14x1,5
0400209	364044	SNODO SOSPENSIONE BALL JOINT	1)	DIAM. 16 mm.
0400210	364037	SNODO SOSPENSIONE BALL JOINT	2)	DIAM. 16 mm.
0600281	381292	SNODO ASSIALE AXIAL JOINT		RHT M14x1,5
0780143	3521A3	BRACCIO OSCILLANTE COMPLETO COMPLETE TRACK CONTROL ARM	2)	
0780144	3521A1	BRACCIO OSCILLANTE COMPLETO COMPLETE TRACK CONTROL ARM	1)	
0790143	3520F3	BRACCIO OSCILLANTE COMPLETO COMPLETE TRACK CONTROL ARM	2)	
0790144	3520F1	BRACCIO OSCILLANTE COMPLETO COMPLETE TRACK CONTROL ARM	1)	
1211114	406622	CUFFIA STERZO STEERING GAITER	2)	
1211208	406644	CUFFIA STERZO STEERING GAITER	1)	
1211209	406643	CUFFIA STERZO STEERING GAITER	1)	
1215144	352375	SILENTBLOCK ESTREMO OUTER BUSHING		
1215145	96110483	SILENTBLOCK CENTRALE CENTRAL BUSHING		

DESTRO
RIGHT

 SINISTRO
LEFT

306

1997 >

Asse Anteriore



Front Axle



i 1) STERZO MANUALE - MANUAL STEERING 3) NUOVO MODELLO - NEW MODEL 5) COMPLETO - COMPLETE	2) SERVOSTERZO - POWER STEERING 4) SENZA SNODO - WITHOUT BALL JOINT
--	--

OCAP	O.E.		i	
0401459	364048	SNODO SOSPENSIONE BALL JOINT	1)	DIAM. 18 mm.
0401460	364049	SNODO SOSPENSIONE BALL JOINT	2)	DIAM. 18 mm.
0781459	3521A1 *	BRACCIO OSCILLANTE COMPLETO COMPLETE TRACK CONTROL ARM	1) 3) 5)	
0781460	3521A3 *	BRACCIO OSCILLANTE COMPLETO COMPLETE TRACK CONTROL ARM	2) 3) 5)	
0781827	3521E5	BRACCIO OSCILLANTE TRACK CONTROL ARM	3) 4)	
0791459	3520F1 *	BRACCIO OSCILLANTE COMPLETO COMPLETE TRACK CONTROL ARM	1) 3) 5)	
0791460	3520F3 *	BRACCIO OSCILLANTE COMPLETO COMPLETE TRACK CONTROL ARM	2) 3) 5)	
0791827	3520H5	BRACCIO OSCILLANTE TRACK CONTROL ARM	3) 4)	
1215144	352375	SILENTBLOCK ESTREMO OUTER BUSHING		
1215145	96110483	SILENTBLOCK CENTRALE CENTRAL BUSHING		

306

DESTRO
RIGHT



SINISTRO
LEFT

306		1997 >
-----	--	--------

Asse Anteriore



Front Axle

0501177



0501177



i 6) > 12/2001

OCAP	O.E.		i	
0501177	508742	STABILIZZATORE STABILIZER LINK	6)	

DESTRO
RIGHT

 SINISTRO
LEFT

307

2001 >

Asse Anteriore



Front Axle

0194101



0601853



0601853



0184101



0180950



0602395



0602395



0180950



1211306





0900485



1211306


i 1) > CH. 10310

2) CH. 10311 >

OCAP	O.E.		i	
0180950	381750	TESTA STERZO TIE ROD END	2)	
0184101	381742	TESTA STERZO TIE ROD END	1)	
0194101	381741	TESTA STERZO TIE ROD END	1)	
0601853	3812E0	SNODO ASSIALE AXIAL JOINT	1)	
0602395	3812E5	SNODO ASSIALE AXIAL JOINT	2)	
0900485	406657 *	KIT CUFFIE STERZO STEERING GAITER KIT		
1211306	406657	CUFFIA STERZO STEERING GAITER		

DESTRO
RIGHT



SINISTRO
LEFT

307		2001 >
------------	--	--------

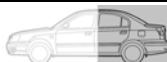
Asse Anteriore



Front Axle



Asse Posteriore



Rear Axle



i 3) ECCETTO - EXCEPT - MOD. CC (COUPE'-CABRIOLET)

OCAP	O.E.		i	
0381853	3521P3	BRACCIO OSCILLANTE TRACK CONTROL ARM	3)	
0391853	3520S2	BRACCIO OSCILLANTE TRACK CONTROL ARM	3)	
0401854	364073	SNODO SOSPENSIONE BALL JOINT		
0501855	508750	STABILIZZATORE STABILIZER LINK		
1214173	509488	SILENTBLOCK BARRA STABILIZZATRICE STABILIZING BAR BUSHING		DIAM. 22 mm.
1214251	509487	SILENTBLOCK BARRA STABILIZZATRICE STABILIZING BAR BUSHING		DIAM. 21 mm.
1215333	352392	SILENTBLOCK ESTREMO OUTER BUSHING		
1215559	352391	SILENTBLOCK CENTRALE CENTRAL BUSHING	3)	
1216393	5131A4	SILENTBLOCK BUSHING		

DESTRO
RIGHT

 SINISTRO
LEFT

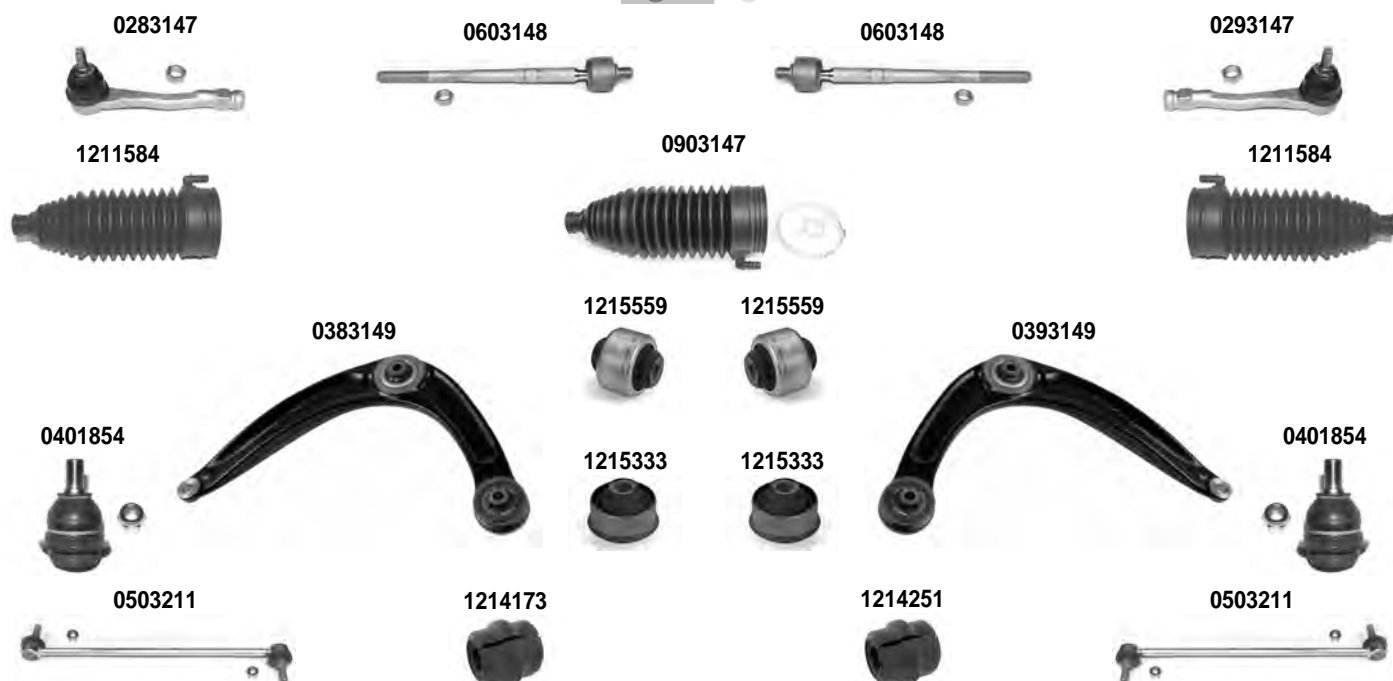
 308
3008
5008

 09/2007 > 2013
06/2009 > 2016
09/2009 > 2016

Asse Anteriore



Front Axle



i 1) ECCEETTO - EXCEPT - MOD. 3008 - 5008 DIESEL TURBO 2) SOLO PER - ONLY FOR 308
DW10 CTED4 FAP

OCAP	O.E.		
0283147	381775	TESTA STERZO TIE ROD END	RHT M14x1,5
0293147	381776	TESTA STERZO TIE ROD END	RHT M14x1,5
0383149	3521R3	BRACCIO OSCILLANTE - INFERIORE - ACCIAIO TRACK CONTROL ARM - LOWER - STEEL	
0393149	3520V2	BRACCIO OSCILLANTE - INFERIORE - ACCIAIO TRACK CONTROL ARM - LOWER - STEEL	
0401854	364073	SNODO SOSPENSIONE - INFERIORE BALL JOINT - LOWER	
0503211	508764	STABILIZZATORE STABILIZER LINK	
0603148	3812F2	SNODO ASSIALE AXIAL JOINT	RHT M14x1,5
0903147	406685	KIT CUFFIE STERZO STEERING GAITER KIT	1)
1211584	406685 *	CUFFIA STERZO STEERING GAITER	1)
1214173	509488	SILENTBLOCK BARRA STABILIZZATRICE STABILIZING BAR BUSHING	2) DIAM. 22 mm.
1214251	509487	SILENTBLOCK BARRA STABILIZZATRICE STABILIZING BAR BUSHING	2) DIAM. 21 mm.
1215333	352392	SILENTBLOCK ESTREMO OUTER BUSHING	
1215559	352391	SILENTBLOCK CENTRALE CENTRAL BUSHING	

DESTRO
RIGHT



SINISTRO
LEFT

308 3008 5008		09/2007 > 2013 06/2009 > 2016 09/2009 > 2016
---------------------	--	--

Asse Posteriore



Rear Axle

1216394



1216396



1216394



1216396



i 3) SOLO PER - ONLY FOR 308 - ECETTO - EXCEPT SW-BREAK-CC	4) SOLO PER - ONLY FOR 308 SW-BREAK-CC - 3008
---	---

OCAP	O.E.		i	
1216394	5131G4	SILENTBLOCK BUSHING	3)	
1216396	5131H7	SILENTBLOCK BUSHING	4)	

DESTRO
RIGHT

 SINISTRO
LEFT

 308
308 SW

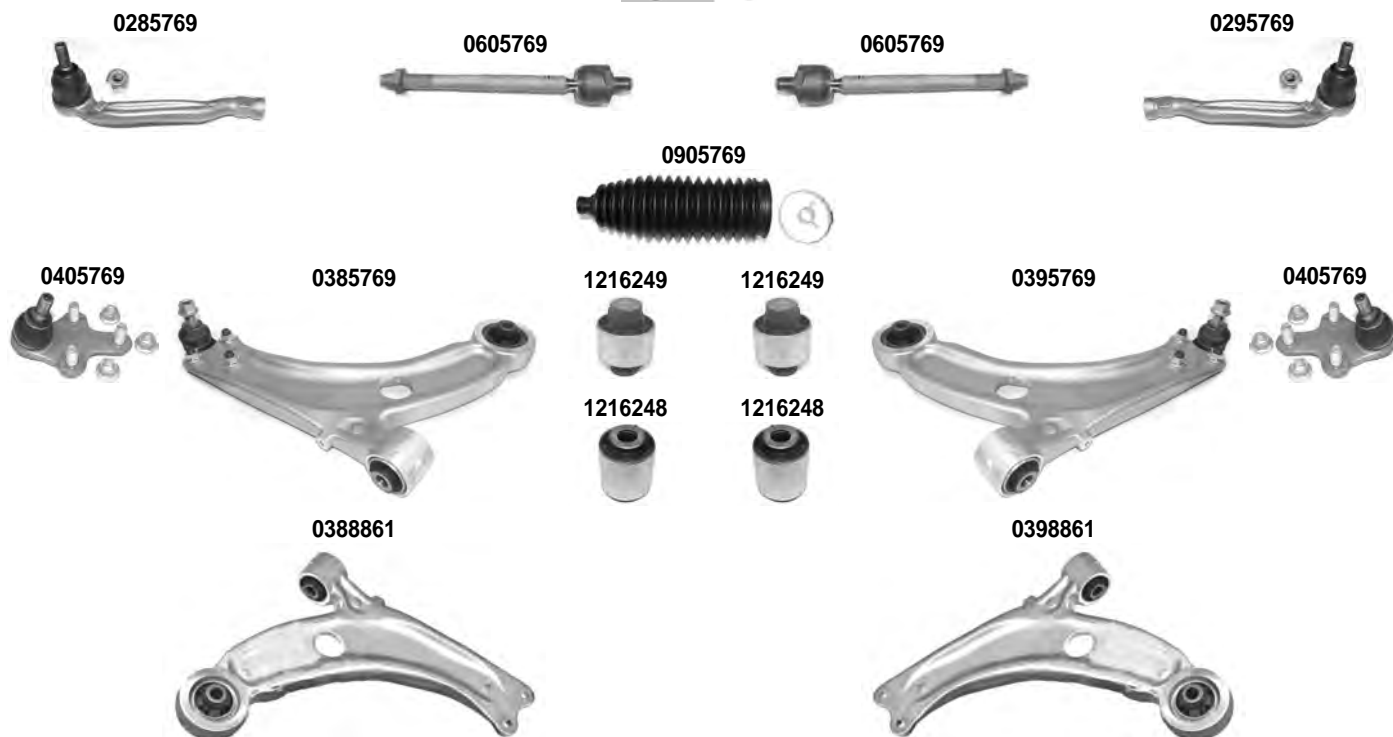
 II
II

 09/2013 >
03/2014 >

Asse Anteriore



Front Axle



1) BRACCIO OSCILLANTE COMPLETO - COMPLETE CONTROL ARM		2) BRACCIO OSCILLANTE SENZA SNODO - TRACK CONTROL ARM WITHOUT BALL JOINT	
OCAP	O.E.		
0285769	1610817880	TESTA STERZO TIE ROD END	RHT M14x1,5
0295769	1610817780	TESTA STERZO TIE ROD END	RHT M14x1,5
0385769	9800596580 **	BRACCIO OSCILLANTE - INFERIORE - ALLUMINIO TRACK CONTROL ARM - LOWER - ALUMIUM	1)
0388861	9800596580	BRACCIO OSCILLANTE - INFERIORE - ALLUMINIO TRACK CONTROL ARM - LOWER - ALUMIUM	2)
0395769	9800596680 **	BRACCIO OSCILLANTE - INFERIORE - ALLUMINIO TRACK CONTROL ARM - LOWER - ALUMIUM	1)
0398861	9800596680	BRACCIO OSCILLANTE - INFERIORE - ALLUMINIO TRACK CONTROL ARM - LOWER - ALUMIUM	2)
0405769	9672192480	SNODO SOSPENSIONE - INFERIORE BALL JOINT - LOWER	
0605769	1611242380	SNODO ASSIALE AXIAL JOINT	RHT M14x1,5
0905769	1610817580	KIT CUFFIE STERZO STEERING GAITER KIT	
1216248	9676032180	SILENTBLOCK CENTRALE CENTRAL BUSHING	
1216249	9676035280	SILENTBLOCK ESTREMO OUTER BUSHING	

DESTRO
RIGHT



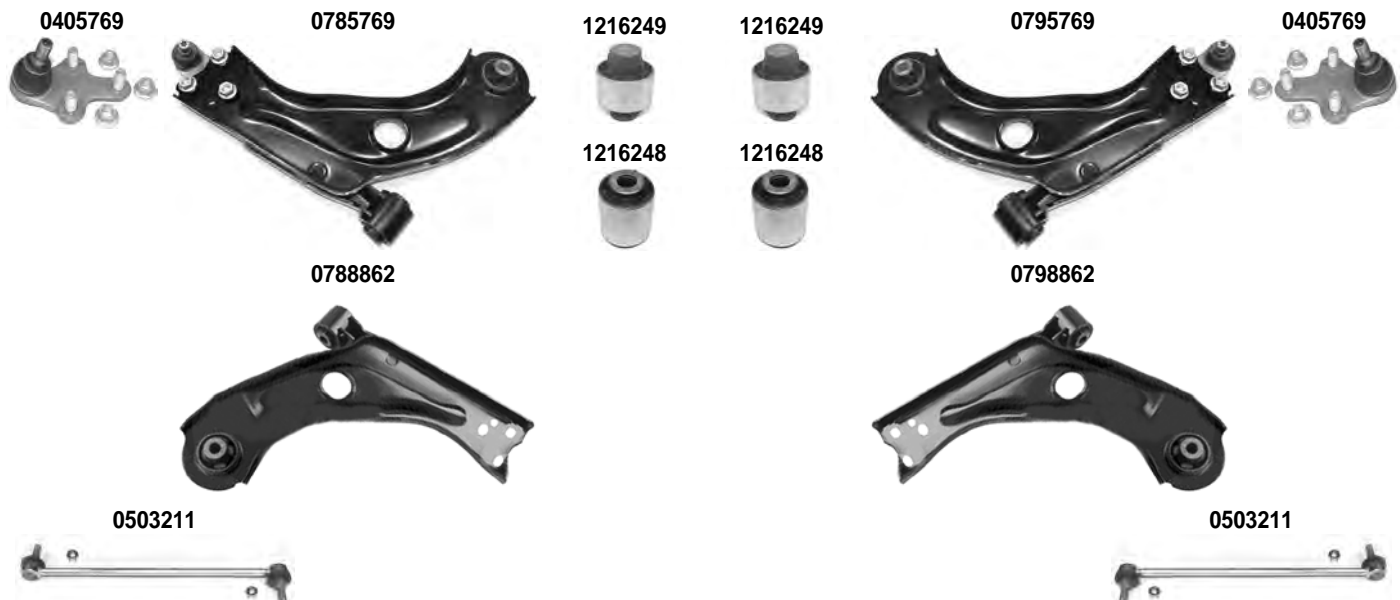
SINISTRO
LEFT

308 308 SW	 	09/2013 > 03/2014 >
---------------	------	------------------------

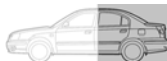
Asse Anteriore



Front Axle



Asse Posteriore



Rear Axle



i 1) BRACCIO OSCILLANTE COMPLETO - COMPLETE CONTROL ARM	2) BRACCIO OSCILLANTE SENZA SNODO - TRACK CONTROL ARM WITHOUT BALL JOINT
---	---

OCAP	O.E.		i	
0405769	9672192480	SNODO SOSPENSIONE - INFERIORE BALL JOINT - LOWER		
0503211	508764	STABILIZZATORE STABILIZER LINK		
0785769	9678311280 **	BRACCIO OSCILLANTE - INFERIORE - LAMIERA TRACK CONTROL ARM - LOWER - STEEL PLATE	1)	
0788862	9678311280	BRACCIO OSCILLANTE - INFERIORE - LAMIERA TRACK CONTROL ARM - LOWER - STEEL PLATE	2)	
0795769	9678311380 **	BRACCIO OSCILLANTE - INFERIORE - LAMIERA TRACK CONTROL ARM - LOWER - STEEL PLATE	1)	
0798862	9678311380	BRACCIO OSCILLANTE - INFERIORE - LAMIERA TRACK CONTROL ARM - LOWER - STEEL PLATE	2)	
1216248	9676032180	SILENTBLOCK CENTRALE CENTRAL BUSHING		
1216249	9676035280	SILENTBLOCK ESTREMO OUTER BUSHING		
1216250	9803481180	SILENTBLOCK BUSHING		

DESTRO
RIGHT

 SINISTRO
LEFT

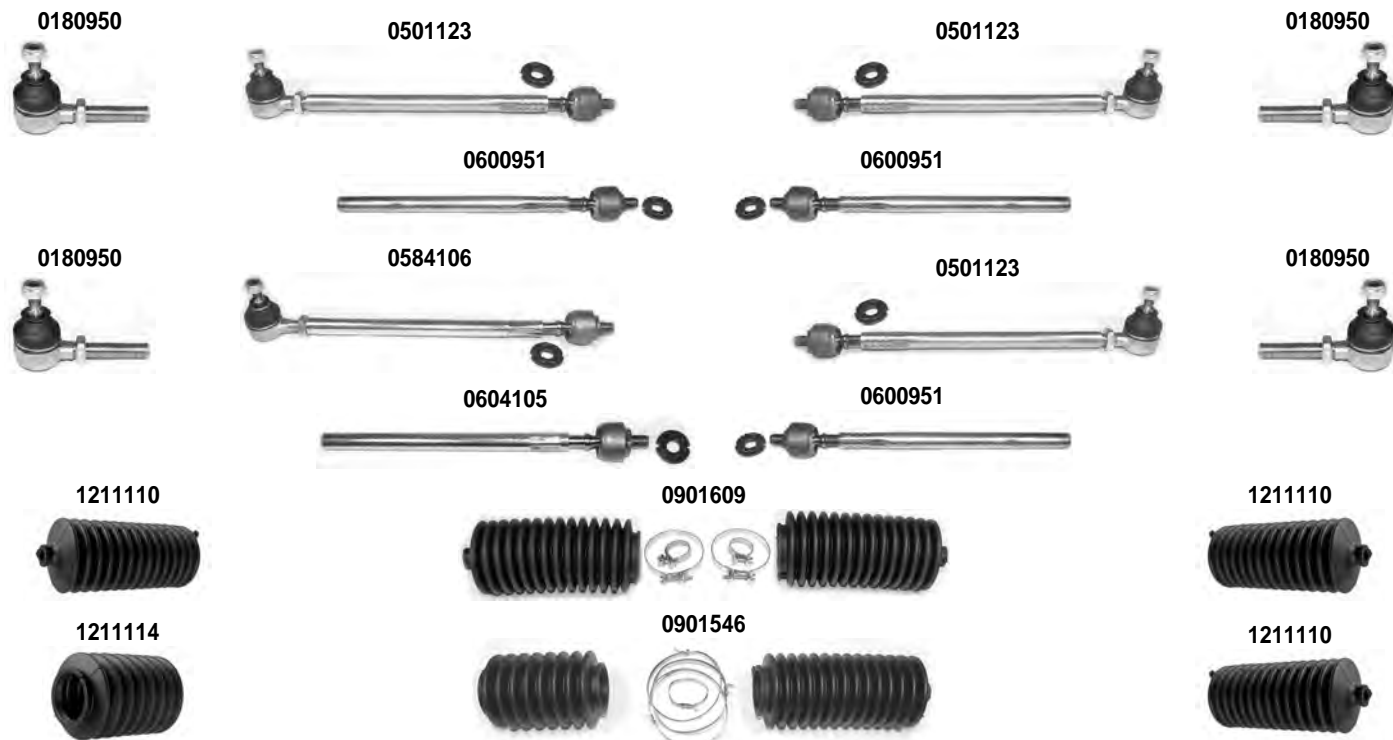
309
309 GTI (130 CV)

 1985 >
1985 >

Asse Anteriore



Front Axle



i 1) STERZO MANUALE - MANUAL STEERING	2) SERVOSTERZO - POWER STEERING
--	---------------------------------

OCAP	O.E.		i	
0180950	381718	TESTA STERZO TIE ROD END		RHT M14x1,5
0501123	381232 *	BARRA STERZO TIE ROD	1)	
0584106	381237	BARRA STERZO TIE ROD	2)	
0600951	381225	SNODO ASSIALE AXIAL JOINT	1)	RHT M14x1,5
0604105	381297	SNODO ASSIALE AXIAL JOINT	1)	RHT M14x1,5
0901546	406622 *	KIT CUFFIE STERZO STEERING GAITER KIT	2)	
0901609	406615 *	KIT CUFFIE STERZO STEERING GAITER KIT	1)	
1211110	406615	CUFFIA STERZO STEERING GAITER	1)	
1211114	406622	CUFFIA STERZO STEERING GAITER	2)	

DESTRO
RIGHT



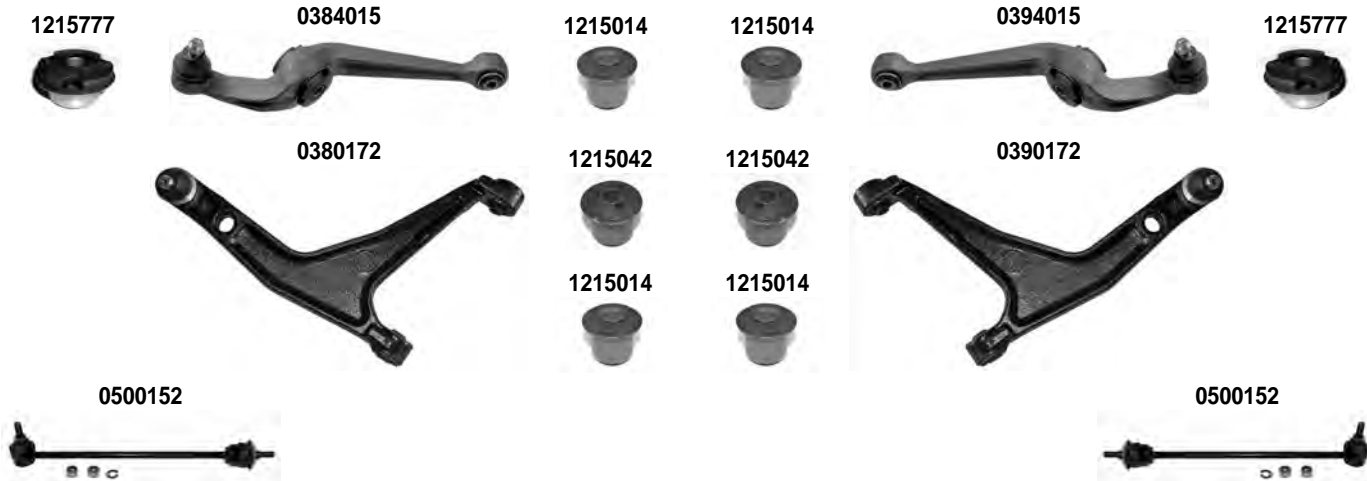
SINISTRO
LEFT

309 309 GTI (130 CV)	1985 > 1985 >
-------------------------	------------------

Asse Anteriore



Front Axle



i 3) ECCEPPO - EXCEPT: GTI	i 4) SOLO PER - ONLY FOR: GTI
-----------------------------------	--------------------------------------

OCAP	O.E.		i	
0380172	352145	BRACCIO OSCILLANTE - INFERIORE TRACK CONTROL ARM - LOWER	4)	
0384015	352141	BRACCIO OSCILLANTE - INFERIORE TRACK CONTROL ARM - LOWER	3)	
0390172	352064	BRACCIO OSCILLANTE - INFERIORE TRACK CONTROL ARM - LOWER	4)	
0394015	352060	BRACCIO OSCILLANTE - INFERIORE TRACK CONTROL ARM - LOWER	3)	
0500152	508732	STABILIZZATORE STABILIZER LINK	4)	
1215014	352331	SILENTBLOCK BUSHING		
1215042	352323	SILENTBLOCK ESTREMO OUTER BUSHING	4)	
1215777	352358	SILENTBLOCK CENTRALE CENTRAL BUSHING	3)	

DESTRO
RIGHT

 SINISTRO
LEFT

404

1964 >

Asse Anteriore

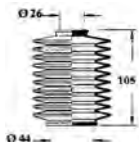


Front Axle

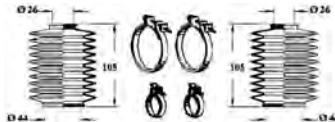
0180793



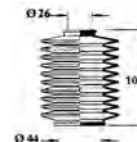
1211116



0901615



1211116



0900793



i 1) STERZO MANUALE - MANUAL STEERING	2) CH. 3034418 - 3038958 - 3038682 >
--	--------------------------------------

OCAP	O.E.		i	
0180793	381411	TESTA STERZO <i>TIE ROD END</i>		
0900793	389917	KIT RIPARAZIONE <i>REPAIRING KIT</i>	2)	
0901615	406603 *	KIT CUFFIE STERZO <i>STEERING GAITER KIT</i>	1)	
1211116	406603	CUFFIA STERZO <i>STEERING GAITER</i>	1)	

DESTRO
RIGHT



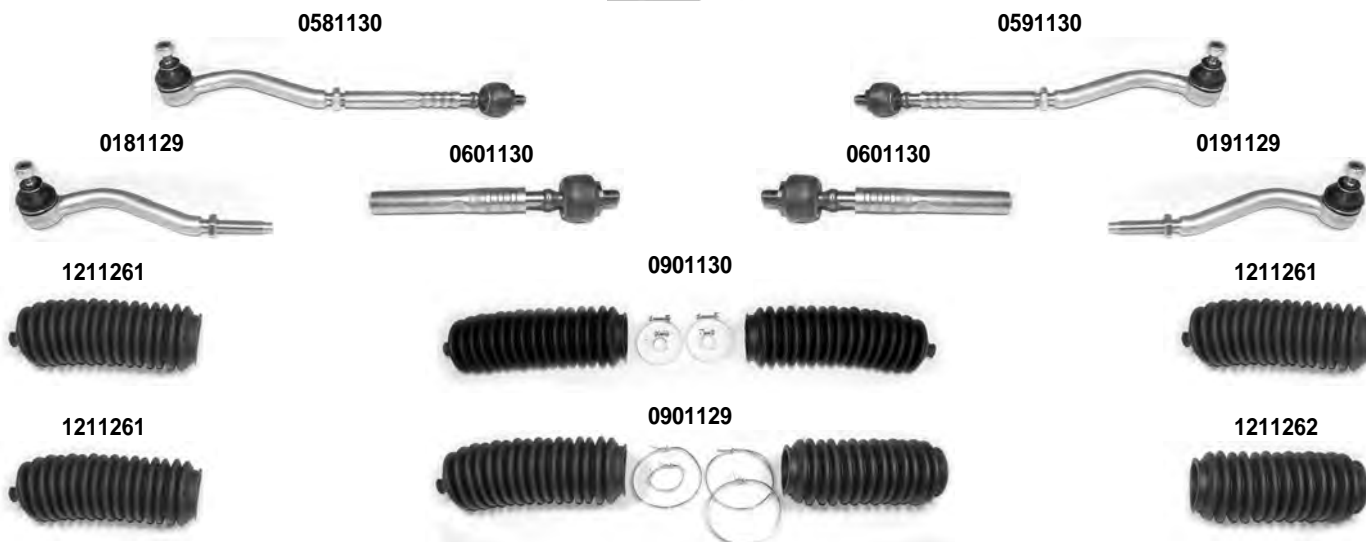
SINISTRO
LEFT

405		1987 > 12/1992
------------	--	----------------

Asse Anteriore



Front Axle



i 1) STERZO MANUALE - MANUAL STEERING	2) SERVOSTERZO - POWER STEERING
--	--

OCAP	O.E.		i	
0181129	381722	TESTA STERZO TIE ROD END		RHT M14x1,5
0191129	381721	TESTA STERZO TIE ROD END		RHT M14x1,5
0581130	381250	BARRA STERZO TIE ROD		
0591130	381247	BARRA STERZO TIE ROD		
0601130	381298	SNODO ASSIALE AXIAL JOINT		RHT M14x1,5
0901129	406628 *	KIT CUFFIE STERZO STEERING GAITER KIT	2)	
0901130	406627 *	KIT CUFFIE STERZO STEERING GAITER KIT	1)	
1211261	406627	CUFFIA STERZO STEERING GAITER	1)	
1211262	406628	CUFFIA STERZO STEERING GAITER	2)	

DESTRO
RIGHT

 SINISTRO
LEFT

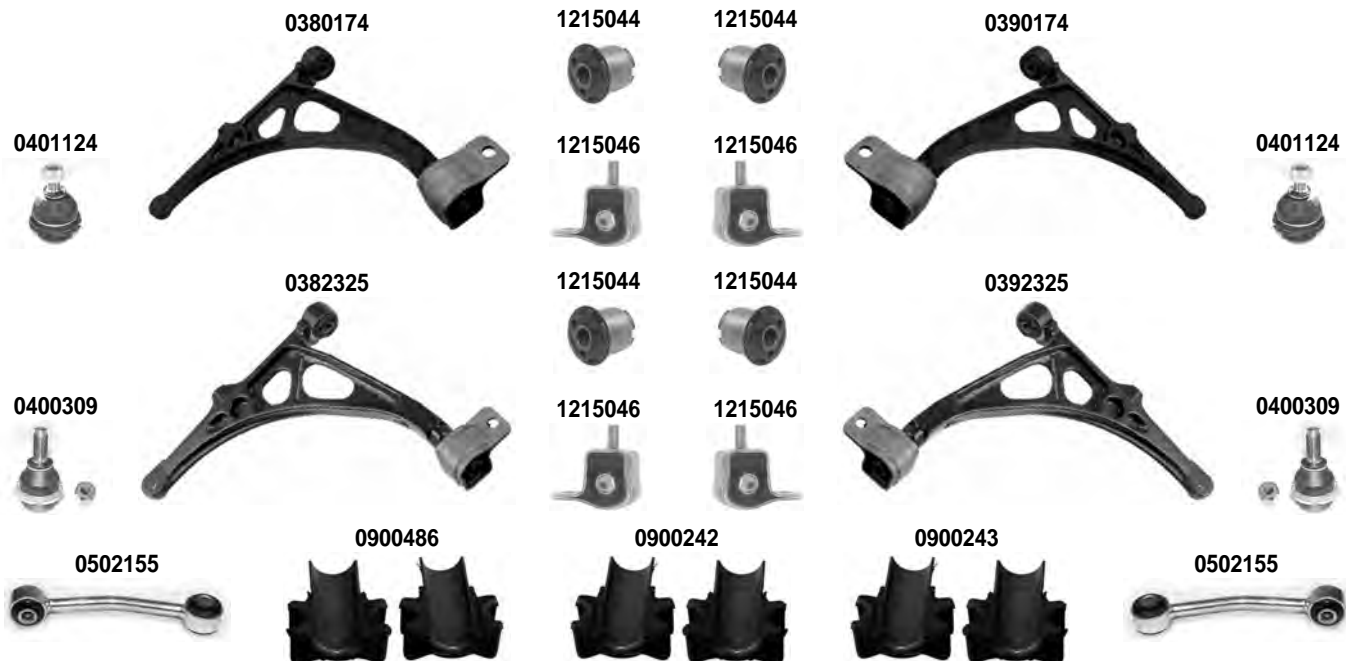
405

1987 > 12/1992

Asse Anteriore



Front Axle


i 2) SERVOSTERZO - POWER STEERING

OCAP	O.E.		i	
0380174	352146	BRACCIO OSCILLANTE - INFERIORE TRACK CONTROL ARM - LOWER		
0382325	3521G4	BRACCIO OSCILLANTE - INFERIORE TRACK CONTROL ARM - LOWER	2)	
0390174	352065	BRACCIO OSCILLANTE - INFERIORE TRACK CONTROL ARM - LOWER		
0392325	3520K4	BRACCIO OSCILLANTE - INFERIORE TRACK CONTROL ARM - LOWER	2)	
0400309	364034	SNODO SOSPENSIONE - INFERIORE SUSPENSION JOINT - LOWER	2)	
0401124	364021	SNODO SOSPENSIONE - INFERIORE SUSPENSION JOINT - LOWER		
0502155	508727	STABILIZZATORE STABILIZER LINK		
0900242	509453	KIT SILENTBLOCK BARRA STABILIZZATRICE STABILIZING BAR BUSHING KIT		DIAM. 21 mm.
0900243	509434	KIT SILENTBLOCK BARRA STABILIZZATRICE STABILIZING BAR BUSHING KIT		DIAM. 22 mm.
0900486	509435	KIT SILENTBLOCK BARRA STABILIZZATRICE STABILIZING BAR BUSHING KIT		DIAM. 20 mm.
1215044	352340	SILENTBLOCK CENTRALE CENTRAL BUSHING		
1215046	352342	SILENTBLOCK ESTREMO OUTER BUSHING		

DESTRO
RIGHT



SINISTRO
LEFT

405		08/1992 > 1995
-----	--	----------------

Asse Anteriore

Front Axle



<p>1) MOTORE INIEZIONE - TIPO XU10J4TE - ENGINE INJECTION - SERIES XU10J4TE</p> <p>i 4) SERVOSTERZO - SOLO MOTORE INIEZIONE - SERIE XU10JATE - POWER STEERING - ONLY ENGINE INJECTION - SERIES XU10JATE</p>	<p>2) STERZO MANUALE - MANUAL STEERING</p>
--	--

OCAP	O.E.		i	
0181129	381722	TESTA STERZO TIE ROD END		RHT M14x1,5
0181676	400123	TESTA STERZO TIE ROD END	1)	RHT M 16x1,5
0191129	381721	TESTA STERZO TIE ROD END		RHT M14x1,5
0191676	400122	TESTA STERZO TIE ROD END	1)	M 16x1,5
0600450	3812C2	SNODO ASSIALE AXIAL JOINT	1)	M 16x1,5
0601130	381298	SNODO ASSIALE AXIAL JOINT		RHT M14x1,5
0901309	406637 *	KIT CUFFIE STERZO STEERING GAITER KIT	2)	
1211077	406637	CUFFIA STERZO STEERING GAITER	2)	
1211195	406642	CUFFIA STERZO STEERING GAITER	4)	
1211196	406630	CUFFIA STERZO STEERING GAITER		

DESTRO
RIGHT

 SINISTRO
LEFT

405

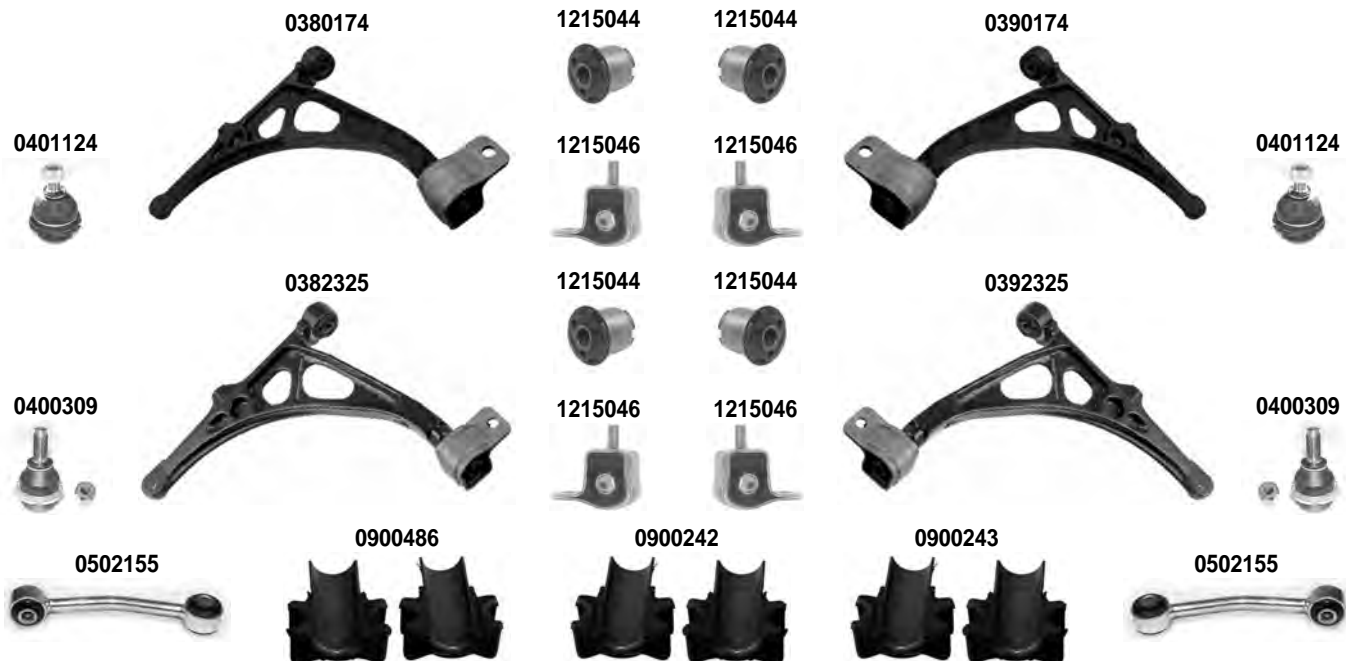
II

08/1992 > 1995

Asse Anteriore



Front Axle


i 3) SERVOSTERZO - POWER STEERING

OCAP	O.E.		i	
0380174	352146	BRACCIO OSCILLANTE - INFERIORE TRACK CONTROL ARM - LOWER		
0382325	3521G4	BRACCIO OSCILLANTE - INFERIORE TRACK CONTROL ARM - LOWER	3)	
0390174	352065	BRACCIO OSCILLANTE - INFERIORE TRACK CONTROL ARM - LOWER		
0392325	3520K4	BRACCIO OSCILLANTE - INFERIORE TRACK CONTROL ARM - LOWER	3)	
0400309	364034	SNODO SOSPENSIONE - INFERIORE SUSPENSION JOINT - LOWER	3)	
0401124	364021	SNODO SOSPENSIONE - INFERIORE SUSPENSION JOINT - LOWER		
0502155	508727	STABILIZZATORE STABILIZER LINK		
0900242	509453	KIT SILENTBLOCK BARRA STABILIZZATRICE STABILIZING BAR BUSHING KIT		DIAM. 21 mm.
0900243	509434	KIT SILENTBLOCK BARRA STABILIZZATRICE STABILIZING BAR BUSHING KIT		DIAM. 22 mm.
0900486	509435	KIT SILENTBLOCK BARRA STABILIZZATRICE STABILIZING BAR BUSHING KIT		DIAM. 20 mm.
1215044	352340	SILENTBLOCK CENTRALE CENTRAL BUSHING		
1215046	352342	SILENTBLOCK ESTREMO OUTER BUSHING		

DESTRO
RIGHT



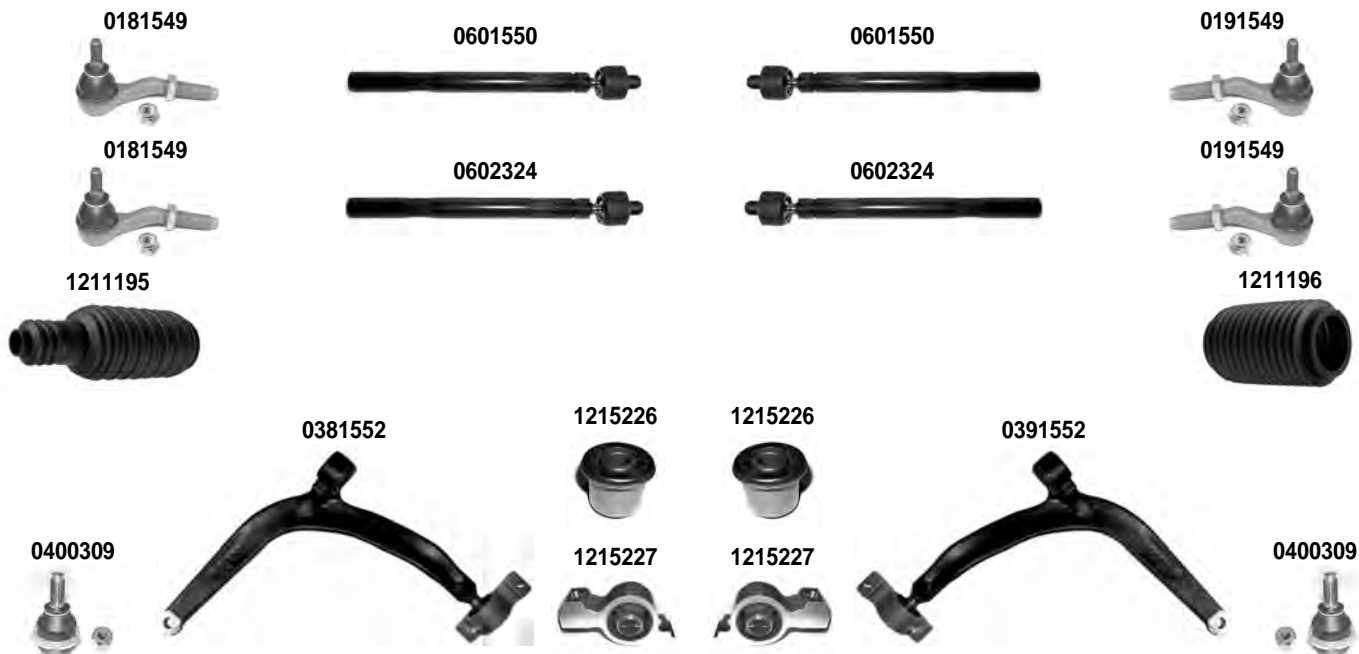
SINISTRO
LEFT

406		1995 > 05/2004
------------	--	----------------

Asse Anteriore



Front Axle



i 1) > 09/1997 -> R.P 07664 - SENZA SERVOSTERZO VARIABLE - WITHOUT VARIABLE POWER STEERING	2) 09/1997 > - R.P 07665 > - MODELLI CON SERVOSTERZO VARIABLE - MODELS WITH VARIABLE POWER STEERING
--	--

OCAP	O.E.		i	
0181549	381739	TESTA STERZO TIE ROD END		RHT M16x1,5
0191549	381740	TESTA STERZO TIE ROD END		RHT M16x1,5
0381552	3521E1	BRACCIO OSCILLANTE - INFERIORE TRACK CONTROL ARM - LOWER		
0391552	3520H1	BRACCIO OSCILLANTE - INFERIORE TRACK CONTROL ARM - LOWER		
0400309	364034	SNODO SOSPENSIONE - INFERIORE SUSPENSION JOINT - LOWER		
0601550	3812A9	SNODO ASSIALE AXIAL JOINT	1)	RHT M16x1,5
0602324	3812C4	SNODO ASSIALE AXIAL JOINT	2)	RHT M16x1,5
1211195	406642	CUFFIA STERZO STEERING GAITER		
1211196	406630	CUFFIA STERZO STEERING GAITER		
1215226	352360	SILENTBLOCK CENTRALE CENTRAL BUSHING		
1215227	352361	SILENTBLOCK ESTREMO OUTER BUSHING		

DESTRO
RIGHT

 SINISTRO
LEFT

406

1995 > 05/2004

Asse Anteriore



Front Axle

0501553



0501553



0501857



1214118



1214119



0501857



Asse Posteriore



Rear Axle

0404161



0404161



0501554



0501479



0501479



0501554


i 3) > RP. O 07664

4) RP. 07665 >

OCAP	O.E.		i	
0404161	364035	SNODO SOSPENSIONE SUSPENSION JOINT		
0501479	517839	STABILIZZATORE STABILIZER LINK		
0501553	508740	STABILIZZATORE STABILIZER LINK	3)	
0501554	517838	STABILIZZATORE STABILIZER LINK		
0501857	508748	STABILIZZATORE STABILIZER LINK	4)	
1214118	509474	SILENTBLOCK BARRA STABILIZZATRICE STABILIZING BAR BUSHING		DIAM. 23 mm.
1214119	509475	SILENTBLOCK BARRA STABILIZZATRICE STABILIZING BAR BUSHING		DIAM. 24 mm.

DESTRO
RIGHT

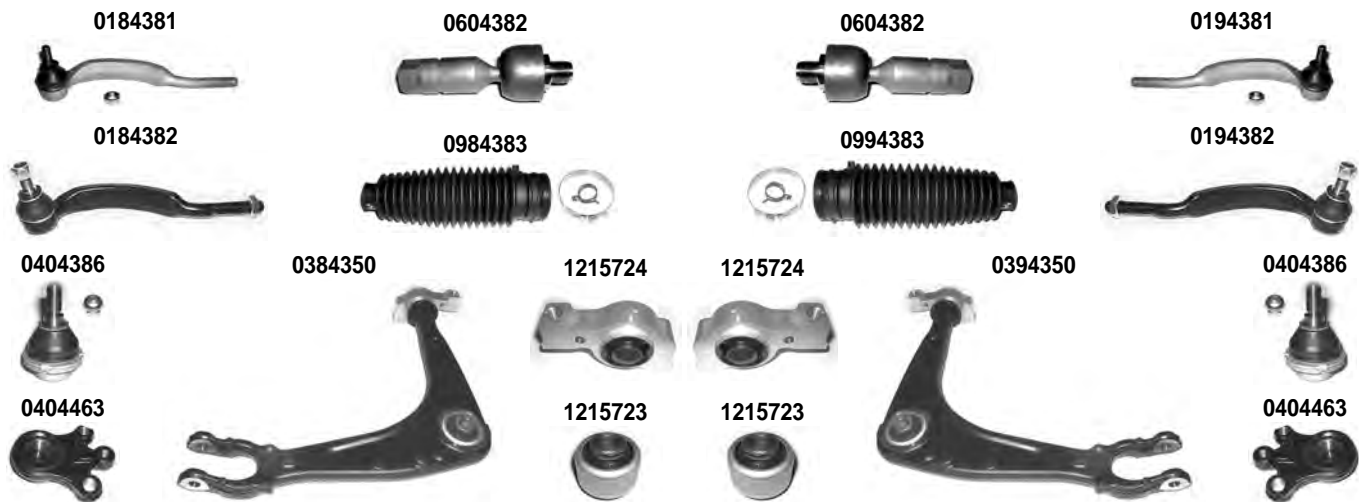


SINISTRO
LEFT

407		05/2004 >
-----	--	-----------

Asse Anteriore

Front Axle



<p>i 1) > C.H. 10597 3) ESCLUSO MOD. SOSPENSIONI VARIABILI - EXCEPT ADJUSTABLE SUSPENSION MODELS</p>	<p>2) C.H. 10598 > 4) > CH. 11801</p>
--	---

OCAP	O.E.		i	
0184381	381757	TESTA STERZO TIE ROD END	1)	RHT M14x1,5 RHT M10X1,25
0184382	381766	TESTA STERZO TIE ROD END	2)	RHT M14x1,5 RHT M12X1,5
0194381	381758	TESTA STERZO TIE ROD END	1)	RHT M14x1,5 RHT M10X1,25
0194382	381765	TESTA STERZO TIE ROD END	2)	RHT M14x1,5 RHT M12X1,5
0384350	3521J6	BRACCIO OSCILLANTE - INFERIORE TRACK CONTROL ARM - LOWER	3) 4)	
0394350	3520N6	BRACCIO OSCILLANTE - INFERIORE TRACK CONTROL ARM - LOWER	3) 4)	
0404386	364074	SNODO SOSPENSIONE - SUPERIORE BALL JOINT - UPPER		
0404463	364072	SNODO SOSPENSIONE - INFERIORE BALL JOINT - LOWER		
0604382	3812E3	SNODO ASSIALE AXIAL JOINT		RHT M14x1,5
0984383	406672	KIT CUFFIA STERZO STEERING GAITER KIT		
0994383	406671	KIT CUFFIA STERZO STEERING GAITER KIT		
1215723	3523AQ	SILENTBLOCK CENTRALE CENTRAL BUSHING		
1215724	3521J6 *	SILENTBLOCK ESTREMO - ALLUMINIO OUTER BUSHING - ALUMINIUM	3) 4)	

DESTRO
RIGHT

 SINISTRO
LEFT

407

05/2004 >

Asse Anteriore



Front Axle



<p>i 3) ESCLUSO MOD. SOSPENSIONI VARIABILI - EXCEPT ADJUSTABLE SUSPENSION MODELS</p> <p>6) MODELLI CON SOSPENSIONI VARIABILI - ONLY FOR ADJUSTABLE SUSPENSION MODELS</p>	<p>5) CH. 11802 ></p>
---	--------------------------

OCAP	O.E.		i	
0382593	3521P9	BRACCIO OSCILLANTE - INFERIORE TRACK CONTROL ARM - LOWER	6)	
0384386	3521T8	BRACCIO OSCILLANTE - INFERIORE TRACK CONTROL ARM - LOWER	3) 5)	
0392593	3520S8	BRACCIO OSCILLANTE - INFERIORE TRACK CONTROL ARM - LOWER	6)	
0394386	3520X7	BRACCIO OSCILLANTE - INFERIORE TRACK CONTROL ARM - LOWER	3) 5)	
0404386	364074	SNODO SOSPENSIONE - SUPERIORE BALL JOINT - UPPER		
0404463	364072	SNODO SOSPENSIONE - INFERIORE BALL JOINT - LOWER		
0902286	364074 *	KIT SNODO SOSPENSIONE - SUPERIORE + INFERIORE BALL JOINT KIT - UPPER + LOWER		
1215723	3523AQ	SILENTBLOCK CENTRALE CENTRAL BUSHING		
1215811	3521P9 *	SILENTBLOCK ESTREMO - ALLUMINIO OUTER BUSHING - ALUMINIUM	6)	
1216205	3521T8 *	SILENTBLOCK ESTREMO - ALLUMINIO OUTER BUSHING - ALUMINIUM	3) 5)	

DESTRO
RIGHT



SINISTRO
LEFT

407		05/2004 >
------------	--	-----------

Asse Anteriore



Front Axle



Asse Posteriore



Rear Axle



OCAP	O.E.			
0385171	9801145780	BRACCIO OSCILLANTE - ALLUMINIO TRACK CONTROL ARM - ALUMIUM		
0395171	5175CC	BRACCIO OSCILLANTE - ALLUMINIO TRACK CONTROL ARM - ALUMIUM		
0504390	517846	STABILIZZATORE STABILIZER LINK		
0584389	508753	STABILIZZATORE STABILIZER LINK		
0594389	508752	STABILIZZATORE STABILIZER LINK		
0704382	517847	BRACCIO SOSPENSIONE SUSPENSION ARM		
0705171	5175CF	BRACCIO SOSPENSIONE SUSPENSION ARM		
1214175	5094A1	SILENTBLOCK BARRA STABILIZZATRICE STABILIZING BAR BUSHING		DIAM. 25 mm.
1214176	509499	SILENTBLOCK BARRA STABILIZZATRICE STABILIZING BAR BUSHING		DIAM. 24 mm.
1214180	5094A0	SILENTBLOCK BARRA STABILIZZATRICE STABILIZING BAR BUSHING		DIAM. 24,5 mm.
1216027	5131C3	SILENTBLOCK BUSHING		
1216028	5131C4	SILENTBLOCK BUSHING		

DESTRO
RIGHT

 SINISTRO
LEFT

504

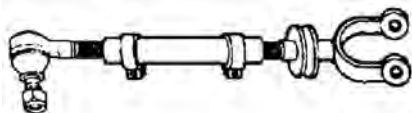
> 1979

Asse Anteriore



Front Axle

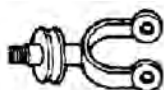
0101102



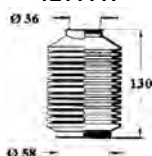
0180950



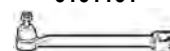
0100799



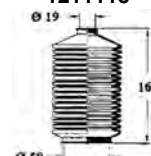
1211117



0101101



1211118



0900796


i 1) II SERIE - II SERIES

OCAP	O.E.		i	
0100799	-	TESTA STERZO TIE ROD END		RHT M14x1,5
0101101	381410	TESTA STERZO TIE ROD END		
0101102	381335	BARRA STERZO TIE ROD		
0180950	381710	TESTA STERZO TIE ROD END		RHT M14x1,5 L = 89 mm.
0900796	389918	KIT RIPARAZIONE REPAIRING KIT	1)	
1211117	406608	CUFFIA STERZO STEERING GAITER		
1211118	406610	CUFFIA STERZO STEERING GAITER		

504 - 505 - 604

DESTRO
RIGHT



SINISTRO
LEFT

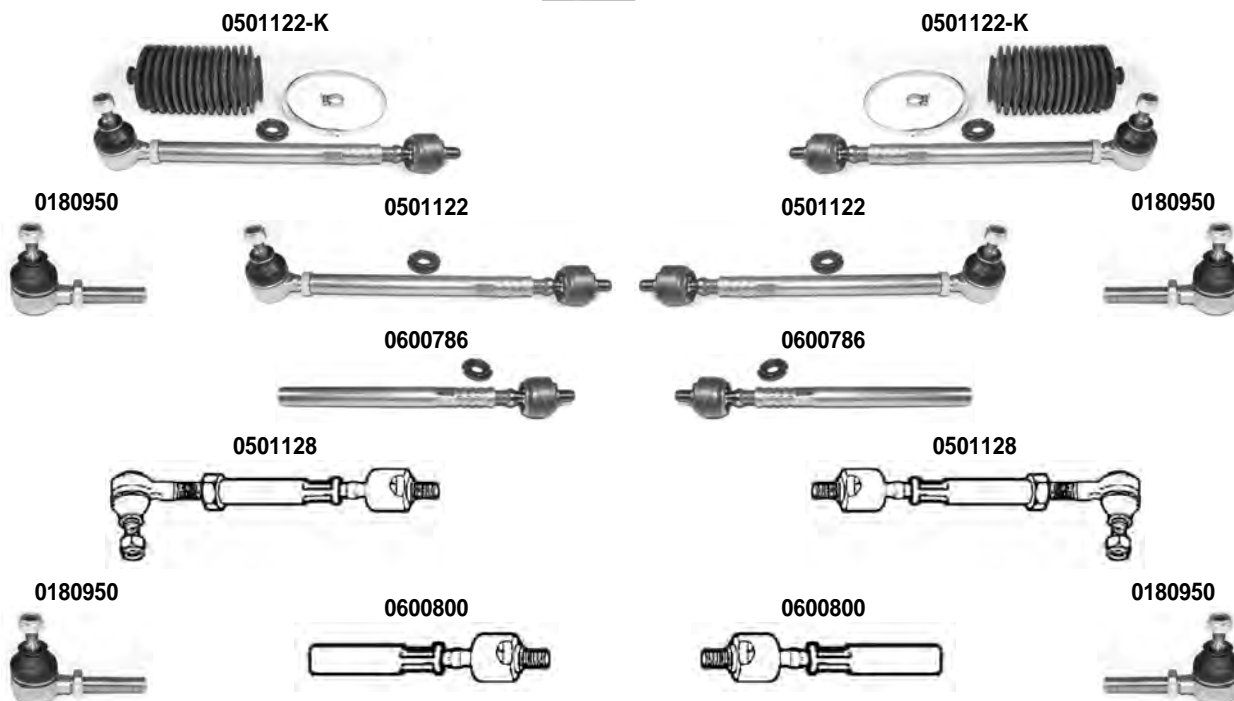
504 - 505 - 604

1980 >

Asse Anteriore



Front Axle



i 1) MOD. 504 COUPE' - 505-604 2) MOD. 504

OCAP	O.E.		i	
0180950	381710	TESTA STERZO TIE ROD END		RHT M14x1,5 L = 89 mm.
0501122	381215 *	BARRA STERZO TIE ROD	1)	
0501128	381217	BARRA STERZO TIE ROD	2)	
0600786	381215 **	SNODO ASSIALE AXIAL JOINT		RHT M14x1,5 L = 262 mm.
0600800	-	SNODO ASSIALE AXIAL JOINT		L = 242 mm.
0501122-K	381215	BARRA STERZO CON KIT TIE ROD WITH KIT ASSEMBLY	1)	

DESTRO
RIGHT

 SINISTRO
LEFT

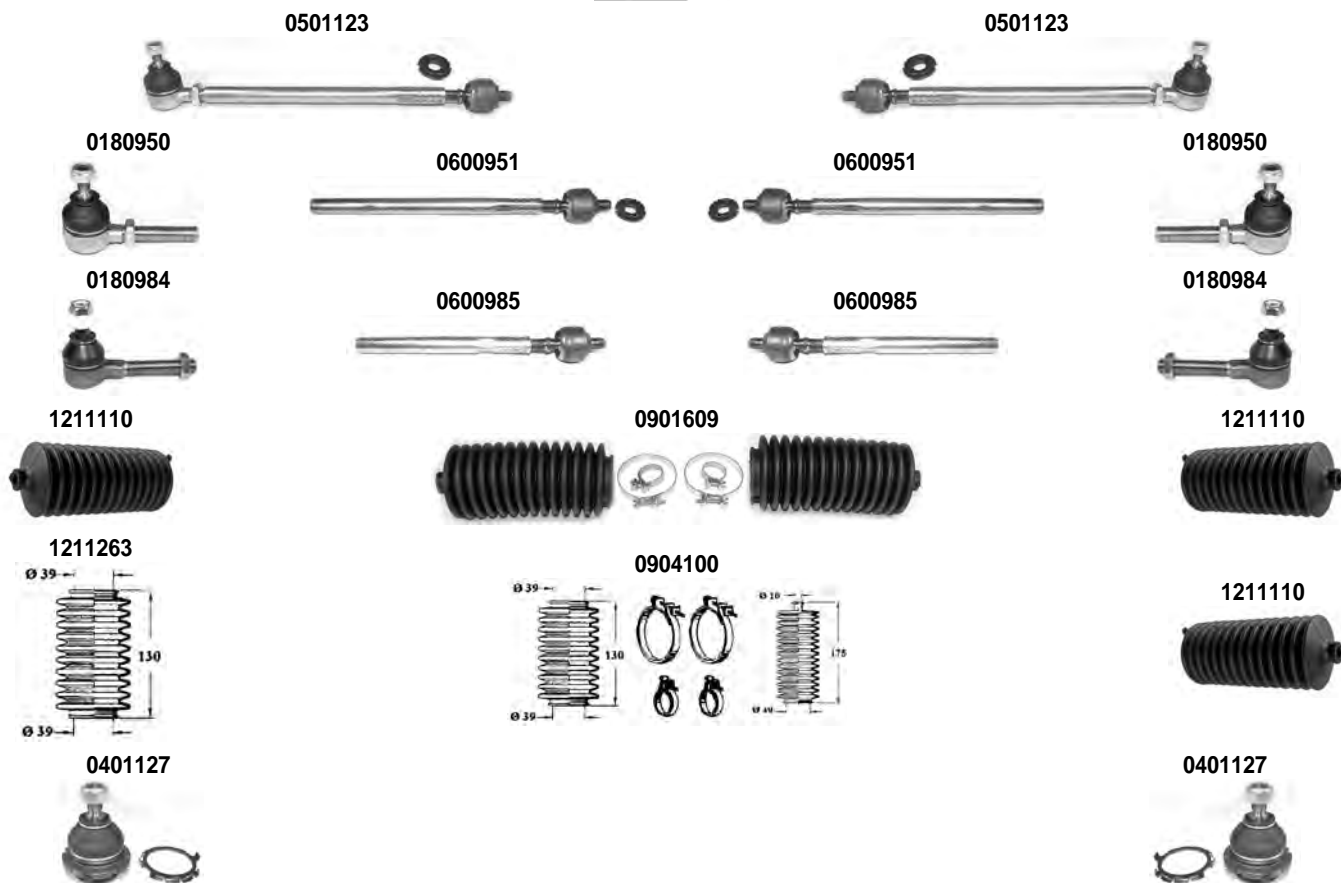
504 - 505 - 604

1980 >

Asse Anteriore



Front Axle



i 3) VERSIONE SPECIALE - SPECIAL VERSION 5) MOD. 505 SERVOSTERZO - POWER STEERING	4) MOD. 505 - SERVOSTERZO - POWER STEERING - CH. 3024483 >
---	---

OCAP	O.E.			
0180950	381710	TESTA STERZO TIE ROD END		RHT M14x1,5 L = 89 mm.
0180984	-	TESTA STERZO TIE ROD END	3)	L = 100 mm.
0401127	364027	SNODO SOSPENSIONE INFERIORE BALL JOINT LOWER		
0501123	381232 *	BARRA STERZO TIE ROD	4)	
0600951	381225	SNODO ASSIALE AXIAL JOINT	4)	RHT M14x1,5
0600985	-	SNODO ASSIALE AXIAL JOINT	3)	L = 250 mm.
0901609	406615 *	KIT CUFFIE STERZO STEERING GAITER KIT		
0904100	406617 *	KIT CUFFIE STERZO STEERING GAITER KIT	5)	
1211110	406615	CUFFIA STERZO STEERING GAITER		
1211263	406617	CUFFIA STERZO STEERING GAITER	5)	

DESTRO
RIGHT



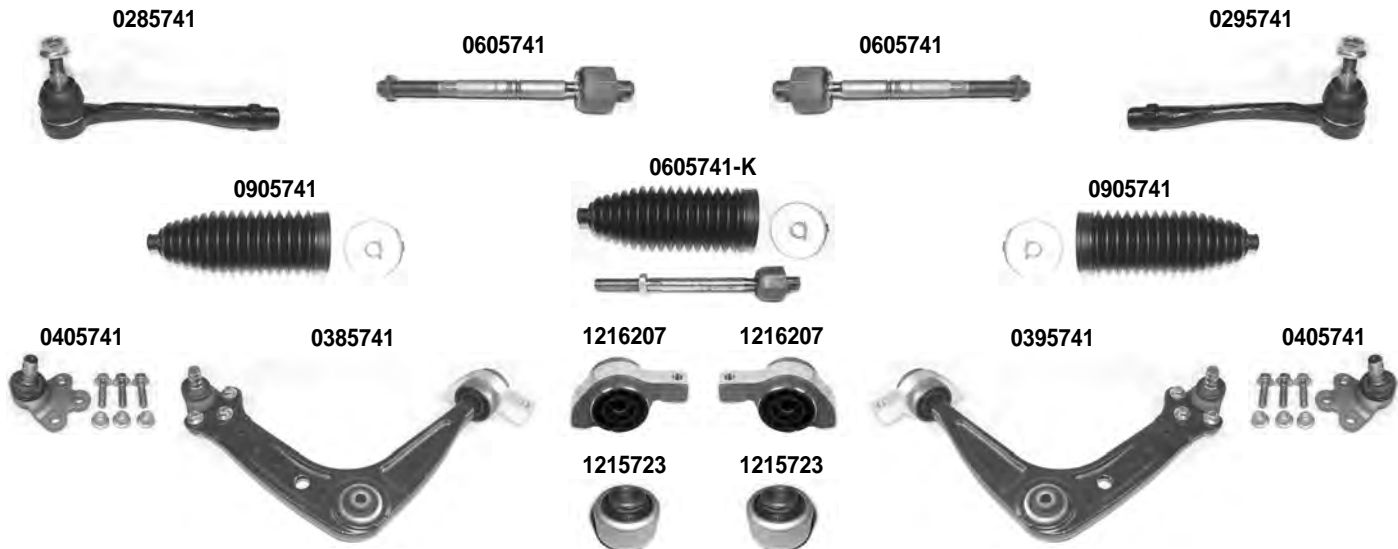
SINISTRO
LEFT

508 508 SW	(PSEUDO McPHERSON SUSPENSION)	11/2010 > 11/2010 >
---------------	----------------------------------	------------------------

Asse Anteriore



Front Axle



i 1) ECCETTO - EXCEPT: MOD. RXH

OCAP	O.E.		i	
0285741	3817A2	TESTA STERZO TIE ROD END		RHT M14x1,5
0295741	3817A1	TESTA STERZO TIE ROD END		RHT M14x1,5
0385741	3521V1	BRACCIO OSCILLANTE - INFERIORE TRACK CONTROL ARM - LOWER	1)	
0395741	3520Y0	BRACCIO OSCILLANTE - INFERIORE TRACK CONTROL ARM - LOWER	1)	
0405741	364083	SNODO SOSPENSIONE INFERIORE LOWER BALL JOINT	1)	
0605741	3812G3 *	SNODO ASSIALE AXIAL JOINT	1)	RHT M14x1,5
0905741	4066A0	KIT CUFFIA STERZO STEERING BOOT KIT	1)	
1215723	3523AQ	SILENTBLOCK - CENTRALE CENTRAL BUSHING		
1216207	3521V1 *	SILENTBLOCK - ESTREMO OUTER BUSHING		
0605741-K	3812G3	KIT SNODO ASSIALE AXIAL JOINT KIT	1)	RHT M14x1,5

DESTRO
RIGHT

 SINISTRO
LEFT

 508
508 SW

 (PSEUDO McPHERSON
SUSPENSION)

 11/2010 >
11/2010 >

Asse Anteriore



Front Axle

0505741



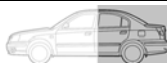
1214180



0505741



Asse Posteriore



Rear Axle

0504390



0504390



1216027



0385171



1216028



1216028



0395171



1216027



0704382



0705171



0705171



0704382



i 1) ECCETTO - EXCEPT: MOD. RXH

OCAP	O.E.		i	
0385171	9801145780	BRACCIO OSCILLANTE - ALLUMINIO TRACK CONTROL ARM - ALUMINIUM	1)	
0395171	5175CC	BRACCIO OSCILLANTE - ALLUMINIO TRACK CONTROL ARM - ALUMINIUM	1)	
0504390	517846	STABILIZZATORE STABILIZER LINK		
0505741	508776	STABILIZZATORE STABILIZER LINK		
0704382	517847	BRACCIO SOSPENSIONE SUSPENSION ARM	1)	
0705171	5175CF	BRACCIO SOSPENSIONE SUSPENSION ARM	1)	
1214180	5094A0	SILENTBLOCK BARRA STABILIZZATRICE STABILIZING BAR BUSHING		DIAM. 24,5 mm.
1216027	5131C3	SILENTBLOCK BUSHING	1)	
1216028	5131C4	SILENTBLOCK BUSHING	1)	

DESTRO
RIGHT



SINISTRO
LEFT

508 508 SW	(WH10 SUSPENSION)	11/2010 > 11/2010 >
---------------	-------------------	------------------------

Asse Anteriore



Front Axle



OCAP	O.E.			
0285171	381781	TESTA STERZO TIE ROD END		RHT M14x1,5
0295171	381780	TESTA STERZO TIE ROD END		RHT M14x1,5
0384350	3521J6	BRACCIO OSCILLANTE - INFERIORE TRACK CONTROL ARM - LOWER		
0394350	3520N6	BRACCIO OSCILLANTE - INFERIORE TRACK CONTROL ARM - LOWER		
0404386	364074	SNODO SOSPENSIONE - SUPERIORE BALL JOINTS - UPPER		
0404463	364072	SNODO SOSPENSIONE - INFERIORE BALL JOINTS - LOWER		
0605171	3812F3 *	SNODO ASSIALE AXIAL JOINT		
0902286	364074 *	KIT SNODI SOSPENSIONE - SUPERIORE + INFERIORE BALL JOINTS KIT - UPPER + LOWER		
0905171	406688	KIT CUFFIA STERZO STEERING GAITER KIT		
1215723	3523AQ	SILENTBLOCK - CENTRALE CENTRAL BUSHING		
1215724	3521J6 *	SILENTBLOCK - ESTREMO OUTER BUSHING		
0605171-K	3812F3	KIT SNODO ASSIALE AXIAL JOINT KIT		

DESTRO
RIGHT

 SINISTRO
LEFT

 508
508 SW

(WH10 SUSPENSION)

 11/2010 >
11/2010 >

Asse Anteriore



Front Axle

0584389



1214180



1214180



0594389



Asse Posteriore



Rear Axle

0504390



0504390



1216027



0385171



1216028



1216028



0395171



1216027



0704382



0705171



0705171



0704382


1) MODELLI SENZA CATENA TRAZIONE IBRIDA - WITHOUT HYBRID TRACTION CHAIN MODELS

OCAP	O.E.			
0385171	9801145780	BRACCIO OSCILLANTE - ALLUMINIO TRACK CONTROL ARM - ALUMINIUM	1)	
0395171	9801145880	BRACCIO OSCILLANTE - ALLUMINIO TRACK CONTROL ARM - ALUMINIUM	1)	
0504390	517846	STABILIZZATORE STABILIZER LINK		
0584389	508753	STABILIZZATORE STABILIZER LINK		
0594389	508752	STABILIZZATORE STABILIZER LINK		
0704382	517847	BRACCIO SOSPENSIONE SUSPENSION ARM	1)	
0705171	5175CF	BRACCIO SOSPENSIONE SUSPENSION ARM	1)	
1214180	5094A0	SILENTBLOCK BARRA STABILIZZATRICE STABILIZING BAR BUSHING		DIAM. 24,5 mm.
1216027	5131C3	SILENTBLOCK BUSHING		
1216028	5131C4	SILENTBLOCK BUSHING		

DESTRO
RIGHT



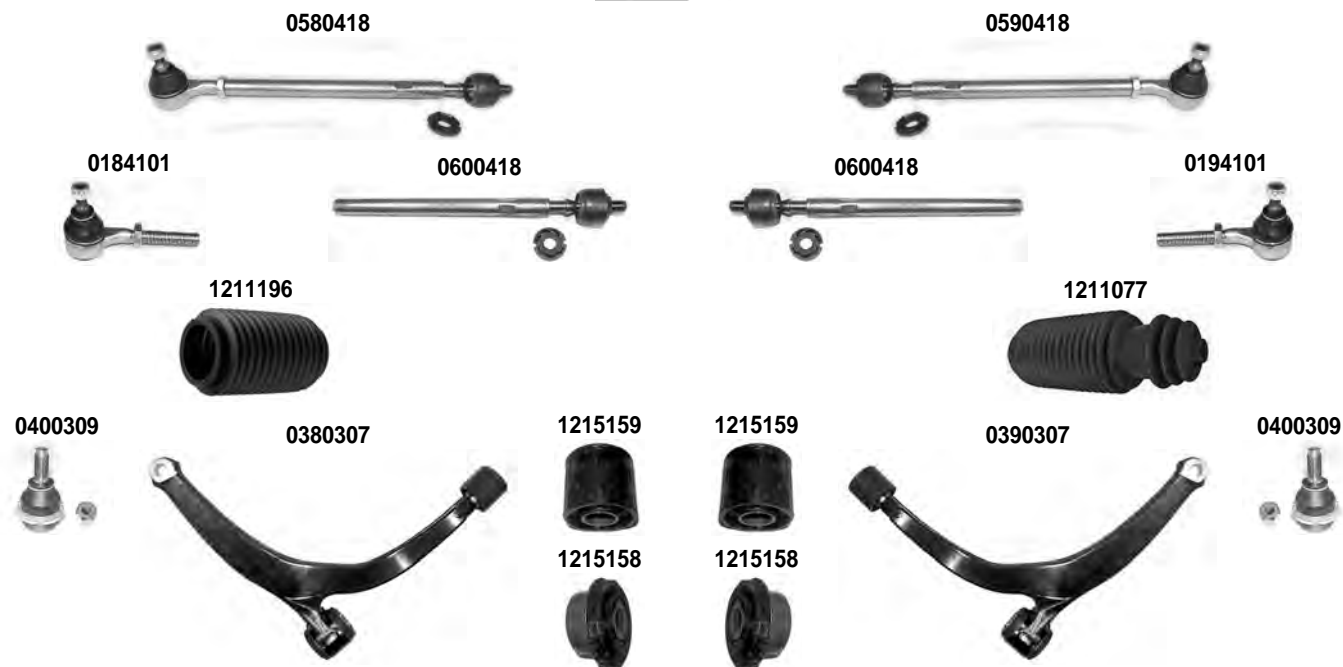
SINISTRO
LEFT

605		1989 > 07/1994
-----	--	----------------

Asse Anteriore



Front Axle



i 1) SERVOSTERZO - POWER STEERING	2) ESCLUSO MOTORE XU A BENZINA - EXCEPT ENGINE XU PETROL
--	--

OCAP	O.E.		i	
0184101	381742	TESTA STERZO TIE ROD END		RHT M14x1,5
0194101	381741	TESTA STERZO TIE ROD END		RHT M14x1,5
0380307	352071	BRACCIO OSCILLANTE TRACK CONTROL ARM	2)	
0390307	352070	BRACCIO OSCILLANTE TRACK CONTROL ARM	2)	
0400309	364028	SNODO SOSPENSIONE - INFERIORE SUSPENSION JOINT - LOWER		
0580418	381280	BARRA STERZO TIE ROD		
0590418	381281	BARRA STERZO TIE ROD		
0600418	381299	SNODO ASSIALE AXIAL JOINT		RHT M14x1,5
1211077	406637	CUFFIA STERZO STEERING GAITER	1)	
1211196	406630	CUFFIA STERZO STEERING GAITER	1)	
1215158	352343	SILENTBLOCK CENTRALE CENTRAL BUSHING		
1215159	352396	SILENTBLOCK ESTREMO OUTER BUSHING		

DESTRO
RIGHT

 SINISTRO
LEFT

605

1989 > 07/1994

Asse Anteriore



Front Axle



Asse Posteriore



Rear Axle


i 3) MOTORE XU A BENZINA - ENGINE XU PETROL

OCAP	O.E.		i	
0380308	352073	BRACCIO OSCILLANTE TRACK CONTROL ARM	3)	
0390308	352072	BRACCIO OSCILLANTE TRACK CONTROL ARM	3)	
0400309	364028	SNODO SOSPENSIONE INFERIORE SUSPENSION JOINT - LOWER		
0501555	508741	STABILIZZATORE STABILIZER LINK		
0581657	517822	STABILIZZATORE STABILIZER LINK		
0591657	517821	STABILIZZATORE STABILIZER LINK		
1214250	517247	SILENTBLOCK BARRA STABILIZZATRICE STABILIZING BAR BUSHING		DIAM. 25 mm.
1215158	352343	SILENTBLOCK CENTRALE CENTRAL BUSHING		
1215159	352396	SILENTBLOCK ESTREMO OUTER BUSHING		

DESTRO
RIGHT



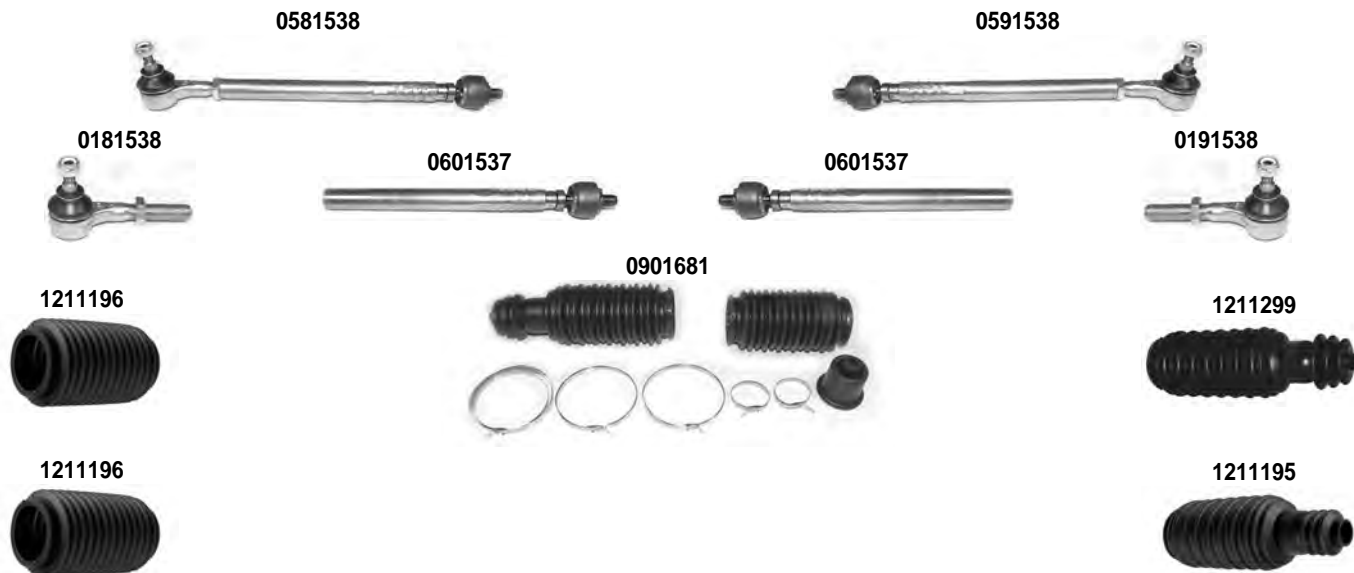
SINISTRO
LEFT

605		08/1994 >
------------	--	-----------

Asse Anteriore



Front Axle



i 1) > 7629	2) 7630 >
--------------------	-----------

OCAP	O.E.		i	
0181538	381744	TESTA STERZO TIE ROD END		RHT M16x1,5
0191538	381743	TESTA STERZO TIE ROD END		RHT M16x1,5
0581538	-	BARRA STERZO TIE ROD		
0591538	-	BARRA STERZO TIE ROD		
0601537	3812A6	SNODO ASSIALE AXIAL JOINT		RHT M16x1,5
0901681	406629 *	KIT CUFFIA STERZO STEERING GAITER KIT	1)	
1211195	406642	CUFFIA STERZO STEERING GAITER	2)	
1211196	406630	CUFFIA STERZO STEERING GAITER	1)	
1211299	406629	CUFFIA STERZO STEERING GAITER	1)	

DESTRO
RIGHT

 SINISTRO
LEFT

605

08/1994 >

Asse Anteriore



Front Axle

0400309

0380307

1215159

1215159

0390307

0400309



1215158

1215158



0501555



0501555



Asse Posteriore



Rear Axle

0581657

1214250

0591657



OCAP	O.E.		
0380307	352071	BRACCIO OSCILLANTE TRACK CONTROL ARM	
0390307	352070	BRACCIO OSCILLANTE TRACK CONTROL ARM	
0400309	364034	SNODO SOSPENSIONE - INFERIORE SUSPENSION JOINT - LOWER	
0501555	508741	STABILIZZATORE STABILIZER LINK	
0581657	517822	STABILIZZATORE STABILIZER LINK	
0591657	517821	STABILIZZATORE STABILIZER LINK	
1214250	517247	SILENTBLOCK BARRA STABILIZZATRICE STABILIZING BAR BUSHING	DIAM. 25 mm.
1215158	352343	SILENTBLOCK CENTRALE CENTRAL BUSHING	
1215159	352396	SILENTBLOCK ESTREMO OUTER BUSHING	

DESTRO
RIGHT

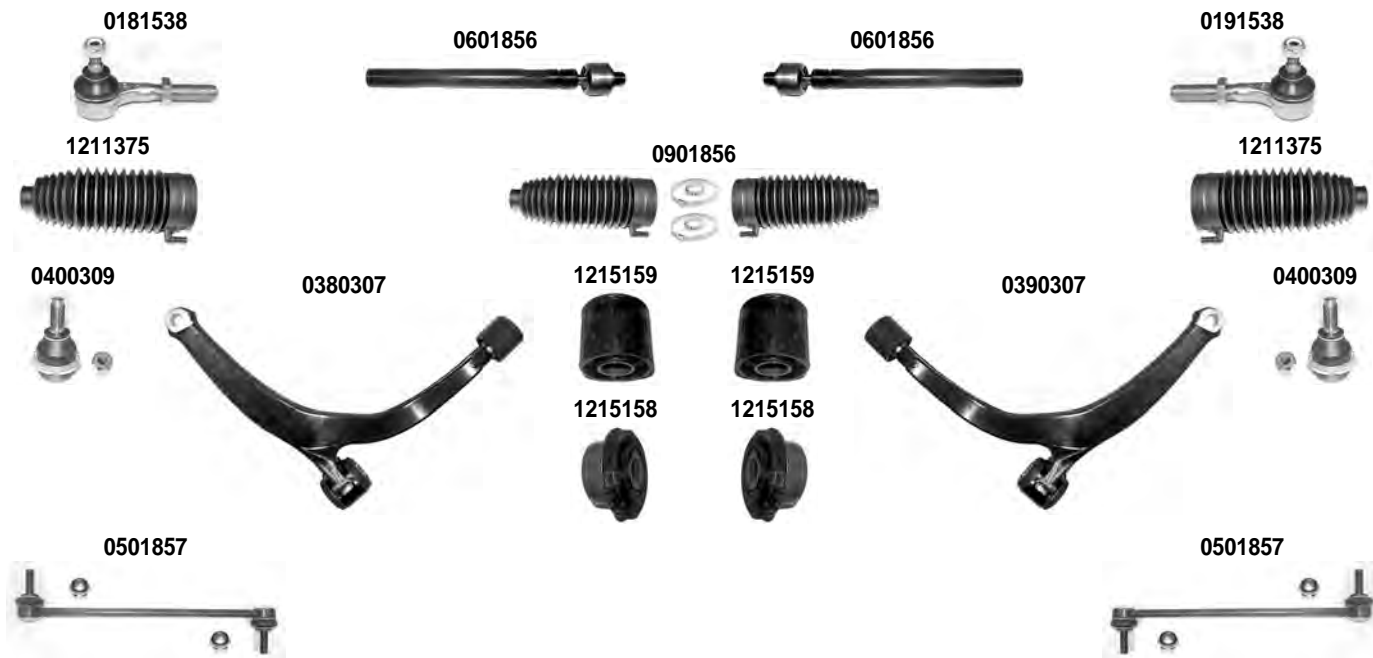


SINISTRO
LEFT

607		2000 >
------------	--	--------

Asse Anteriore

Front Axle



OCAP	O.E.		i	
0181538	381744	TESTA STERZO TIE ROD END		RHT M16x1,5
0191538	381743	TESTA STERZO TIE ROD END		RHT M16x1,5
0380307	3521G6	BRACCIO OSCILLANTE TRACK CONTROL ARM		
0390307	3520K6	BRACCIO OSCILLANTE TRACK CONTROL ARM		
0400309	364034	SNODO SOSPENSIONE INFERIORE SUSPENSION JOINT - LOWER		
0501857	508748	STABILIZZATORE STABILIZER LINK		
0601856	3817C7	SNODO ASSIALE AXIAL JOINT		RHT M16x1,5
0901856	406664 *	KIT CUFFIE STERZO STEERING GAITER KIT		
1211375	406664	CUFFIA STERZO STEERING GAITER		
1215158	352343	SILENTBLOCK CENTRALE CENTRAL BUSHING		
1215159	352396	SILENTBLOCK ESTREMO OUTER BUSHING		

DESTRO
RIGHT

 SINISTRO
LEFT

607

2000 >

Asse Posteriore



Rear Axle

0581657






1214250



0591657



OCAP	O.E.			
0581657	517822	STABILIZZATORE STABILIZER LINK		
0591657	517821	STABILIZZATORE STABILIZER LINK		
1214250	517247	SILENTBLOCK BARRA STABILIZZATRICE STABILIZING BAR BUSHING		DIAM. 25 mm.

DESTRO
RIGHT



SINISTRO
LEFT

806
EXPERT

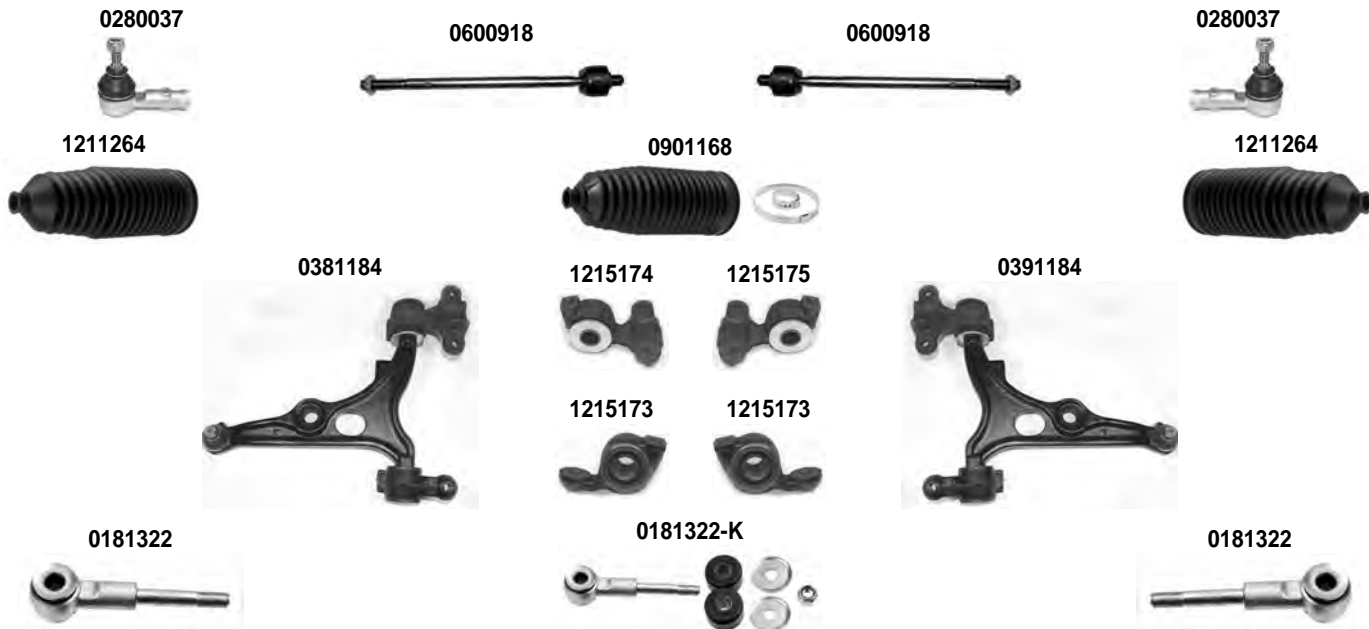
221
222-223-224

1994 > 2002
1995 > 2006

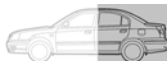
Asse Anteriore



Front Axle



Asse Posteriore



Rear Axle

1216436



1216436



OCAP	O.E.			
0181322	508735	PUNTONE BARRA STABILIZZATRICE STABILIZER LINK		
0280037	405909	TESTA STERZO TIE ROD END		RHT M14x1,5
0381184	352164	BRACCIO OSCILLANTE - INFERIORE TRACK CONTROL ARM - LOWER		
0391184	352094	BRACCIO OSCILLANTE - INFERIORE TRACK CONTROL ARM - LOWER		
0600918	3812A4	SNODO ASSIALE AXIAL JOINT		RHT M14x1,5
0901168	406641 *	KIT CUFFIE STERZO STEERING GAITER KIT		
1211264	406641	CUFFIA STERZO STEERING GAITER		
1215173	3521H1	SILENTBLOCK CENTRALE CENTRAL BUSHING		
1215174	-	SILENTBLOCK ESTREMO OUTER BUSHING		
1215175	-	SILENTBLOCK ESTREMO OUTER BUSHING		
1216436	515261	SILENTBLOCK BUSHING		
0181322-K	1308664080 *	KIT PUNTONE BARRA STABILIZZATRICE STABILIZER LINK KIT		

DESTRO
RIGHT



SINISTRO
LEFT

807

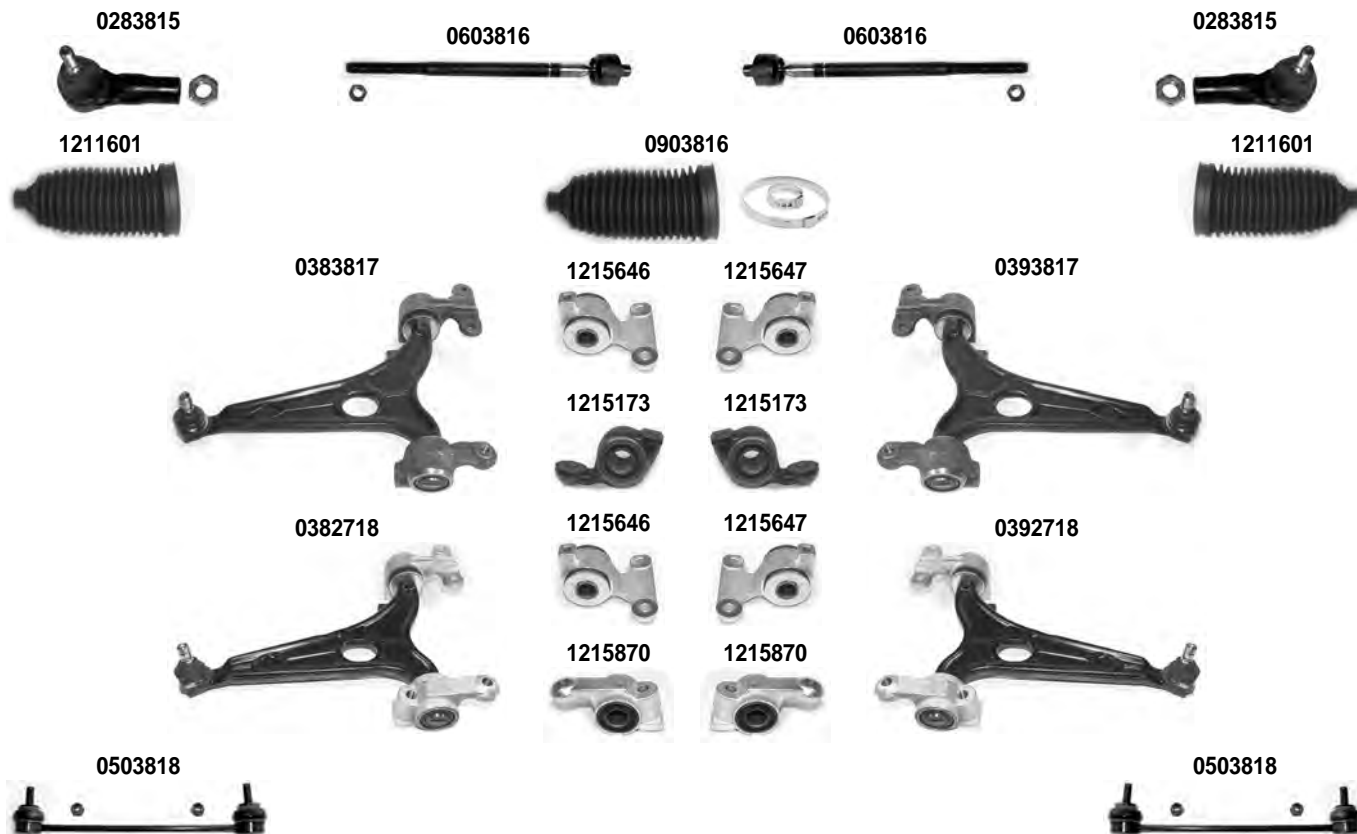
807

2002 >

Asse Anteriore



Front Axle



i 1) > 06/2006 - FINO A - TO PR. > 10823 2) 07/2006 > - DA - FROM PR. 10824 >

OCAP	O.E.		i	
0283815	405912	TESTA STERZO TIE ROD END		RHT M14x1,5
0382718	1356061080	BRACCIO OSCILLANTE - ACCIAIO TRACK CONTROL ARM - STEEL	2)	
0383817	3521K6	BRACCIO OSCILLANTE - ACCIAIO TRACK CONTROL ARM - STEEL	1)	
0392718	1356060080	BRACCIO OSCILLANTE - ACCIAIO TRACK CONTROL ARM - STEEL	2)	
0393817	3520P6	BRACCIO OSCILLANTE - ACCIAIO TRACK CONTROL ARM - STEEL	1)	
0503818	508751	STABILIZZATORE STABILIZER LINK		
0603816	3812E2	SNODO ASSIALE AXIAL JOINT		RHT M14x1,5
0903816	406670	KIT CUFFIA STERZO STEERING GAITER KIT		
1211601	406670 *	CUFFIA STERZO STEERING GAITER		
1215173	3521H1	SILENTBLOCK CENTRALE CENTRAL BUSHING	1)	
1215646	3521K6 *	SILENTBLOCK ESTREMO OUTER BUSHING		
1215647	3520P6 *	SILENTBLOCK ESTREMO OUTER BUSHING		
1215870	3521N9 *	SILENTBLOCK CENTRALE CENTRAL BUSHING	2)	

DESTRO
RIGHT



SINISTRO
LEFT

3008 SUV
5008 II

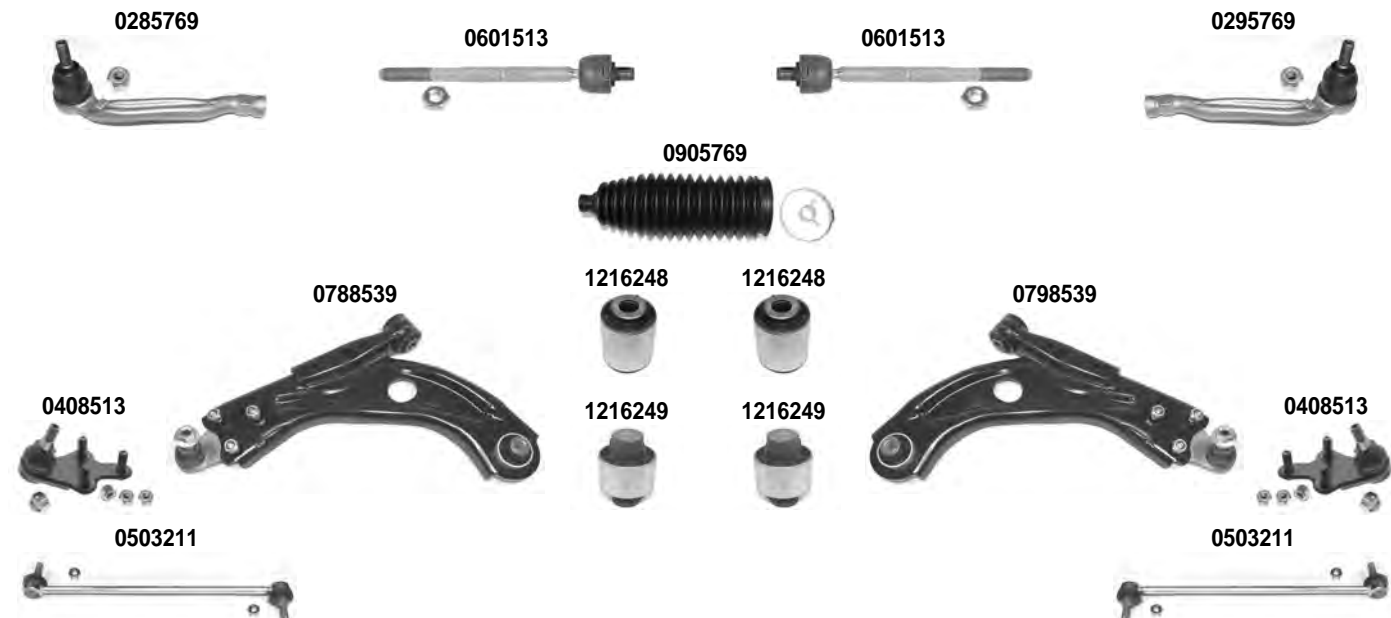
M
M

05/2016 >12/2016 >

Asse Anteriore



Front Axle



OCAP	O.E.			
0285769	1610817880	TESTA STERZO TIE ROD END		RHT M14x1,5
0295769	1610817780	TESTA STERZO TIE ROD END		RHT M14x1,5
0408513	9803434080	SNODO SOSPENSIONE - INFERIORE BALL JOINT - LOWER		
0503211	508764	STABILIZZATORE STABILIZER LINK		
0601513	1610817680	SNODO ASSIALE AXIAL JOINT		RHT M14x1,5
0788539	9816865480	BRACCIO OSCILLANTE - INFERIORE - LAMIERA TRACK CONTROL ARM - LOWER - STEEL PLATE		
0798539	9816865580	BRACCIO OSCILLANTE - INFERIORE - LAMIERA TRACK CONTROL ARM - LOWER - STEEL PLATE		
0905769	1610817580	KIT CUFFIE STERZO STEERING GAITER KIT		
1216248	9676032180	SILENTBLOCK CENTRALE CENTRAL BUSHING		
1216249	9676035280	SILENTBLOCK ESTREMO OUTER BUSHING		

DESTRO
RIGHT

 SINISTRO
LEFT

4007

02/2007 >

Asse Anteriore



Front Axle

0288077



0608077



0608077



0288077



0908077



0408077



0788077



1216072



1216072



0408077



0798077



1216071



1216071



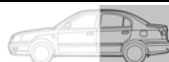
0508077



0508077



Asse Posteriore



Rear Axle

0588077



0708839



0708839



0598077



OCAP	O.E.		
0288077	381774	TESTA STERZO TIE ROD END	RHT M14x1,5
0408077	3521V0 *	SNODO SOSPENSIONE - INFERIORE BALL JOINT - LOWER	
0508077	508758	STABILIZZATORE STABILIZER LINK	
0588077	517849	STABILIZZATORE STABILIZER LINK	
0598077	517848	STABILIZZATORE STABILIZER LINK	
0608077	3812F1	SNODO ASSIALE AXIAL JOINT	RHT M14x1,5
0708839	4117A007	BRACCIO OSCILLANTE TRACK CONTROL ARM	L=165
0788077	3521V0	BRACCIO OSCILLANTE - INFERIORE TRACK CONTROL ARM - LOWER	
0798077	3520V0	BRACCIO OSCILLANTE - INFERIORE TRACK CONTROL ARM - LOWER	
0908077	406684	KIT CUFFIA STERZO STEERING GAITER KIT	
1216071	3521V0 *	SILENTBLOCK - CENTRALE CENTRAL BUSHING	
1216072	3523CS	SILENTBLOCK - ESTREMO OUTER BUSHING	

DESTRO
RIGHT



SINISTRO
LEFT

4008		05/2012 >
------	--	-----------

Asse Anteriore

Front Axle



i 1) > 05/2014	2) 05/2014 >
-----------------------	------------------------

OCAP	O.E.		i	
0288077	381774	TESTA STERZO TIE ROD END		RHT M14x1,5
0408077	3521V0 *	SNODO SOSPENSIONE - INFERIORE BALL JOINT - LOWER		
0604134	4422A076	SNODO ASSIALE AXIAL JOINT		RHT M14x1,5 L=339
0788077	3521V0	BRACCIO OSCILLANTE - INFERIORE TRACK CONTROL ARM - LOWER	1)	
0788669	1612753580	BRACCIO OSCILLANTE - INFERIORE TRACK CONTROL ARM - LOWER	2)	
0798077	3520V0	BRACCIO OSCILLANTE - INFERIORE TRACK CONTROL ARM - LOWER	1)	
0798669	1612753380	BRACCIO OSCILLANTE - INFERIORE TRACK CONTROL ARM - LOWER	2)	
0908669	1607502280 *	KIT CUFFIA STERZO STEERING GAITER KIT		
1216071	-	SILENTBLOCK - CENTRALE CENTRAL BUSHING		
1216072	3523CS	SILENTBLOCK - ESTREMO OUTER BUSHING		

DESTRO
RIGHT

 SINISTRO
LEFT

4008

05/2012 >

Asse Anteriore



Front Axle

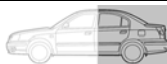
0508077



0508077



Asse Posteriore



Rear Axle

0708839



0708670



0708670



0708839



0588077



0598077


i 3) > 10/2012

4) 10/2012 >

OCAP	O.E.		i	
0508077	508758	STABILIZZATORE STABILIZER LINK		
0588077	517849	STABILIZZATORE STABILIZER LINK		
0598077	517848	STABILIZZATORE STABILIZER LINK		
0708670	1612754780	BRACCIO OSCILLANTE TRACK CONTROL ARM	4)	L=245
0708839	4117A007	BRACCIO OSCILLANTE TRACK CONTROL ARM	3)	L=165

POKER

DESTRO
RIGHT



SINISTRO
LEFT

POKER

Asse Anteriore



Front Axle

0280299



0600410






0600410



0280299



OCAP	O.E.			
0280299	266081	TESTA STERZO TIE ROD END		
0600410	266080	SNODO ASSIALE AXIAL JOINT		

DESTRO
RIGHT

 SINISTRO
LEFT

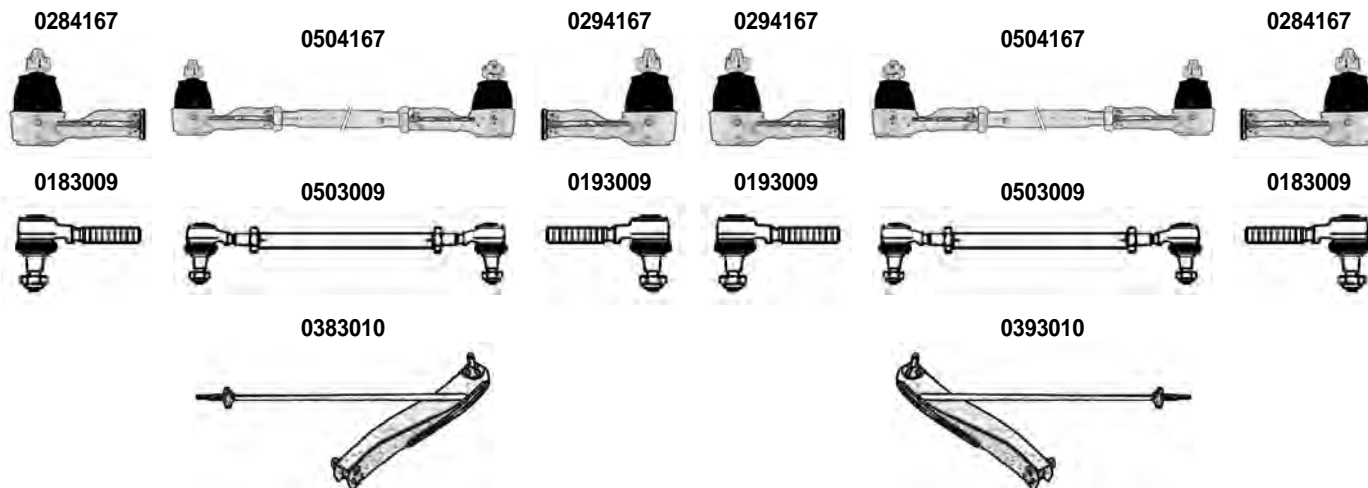
PORTER

1992 >

Asse Anteriore



Front Axle



i 1) > 11/1994 3) COMPLETO - COMPLETE	2) 11/1994 >
---	--------------

OCAP	O.E.		i	
0183009	45047-87Z02	TESTA STERZO TIE ROD END	2)	RHT M14x1,5
0193009	45046-87Z02	TESTA STERZO TIE ROD END	2)	LHT M14x1,5
0284167	45047-87581	TESTA STERZO TIE ROD END	1)	
0294167	45046-87581	TESTA STERZO TIE ROD END	1)	
0383010	48068-87512	BRACCIO OSCILLANTE TRACK CONTROL ARM	3)	
0393010	48069-87512	BRACCIO OSCILLANTE TRACK CONTROL ARM	3)	
0503009	45460-87Z02	BARRA STERZO TIE ROD	2)	
0504167	45460-87586	BARRA STERZO TIE ROD	1)	

901 - 911

DESTRO
RIGHT



SINISTRO
LEFT

901 - 911 911 - 911 CABRIO - 911 TARGA	1963 > 12/1969 1970 > 1989
---	-------------------------------

Asse Anteriore



Front Axle

0180282



0180282



0400810



0400810



0400811



0400811



i 1) > 12/1969	2) 08/1972 >
-----------------------	------------------------

OCAP	O.E.		i	
0180282	91134732204	TESTA STERZO TIE ROD END		RHT M14x1,5
0400810	91134104700	SNODO SOSPENSIONE INFERIORE SUSPENSION JOINT - LOWER	1)	
0400811	91134104901	SNODO SOSPENSIONE - INFERIORE SUSPENSION JOINT - LOWER	2)	

DESTRO
RIGHT



SINISTRO
LEFT

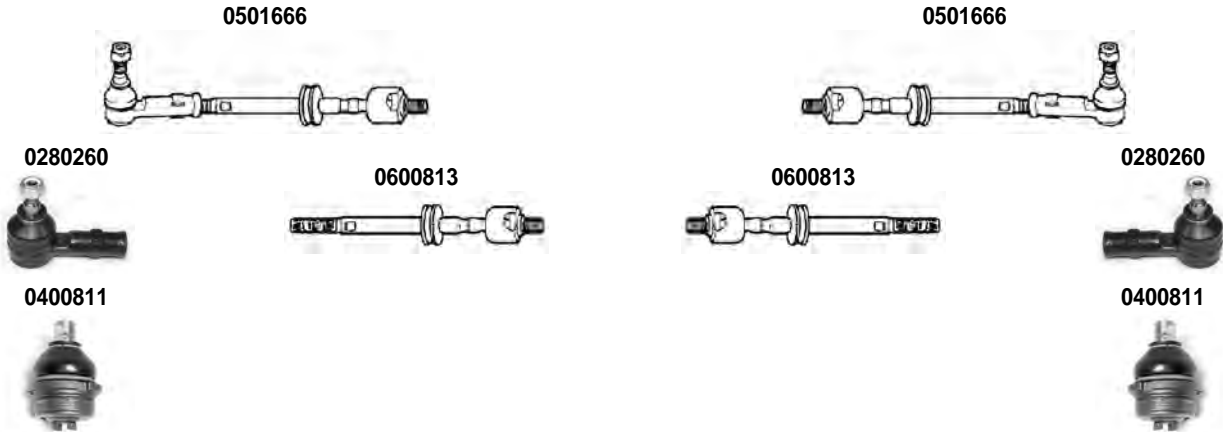
911 3.3 TURBO



1970 > 1989

Asse Anteriore



Front Axle



OCAP	O.E.		i	
0280260	32111116463	TESTA STERZO TIE ROD END		RHT M14x1,5
0400811	91134104901	SNODO SOSPENSIONE - INFERIORE SUSPENSION JOINT - LOWER		
0501666	93034703101	BARRA STERZO TIE ROD		
0600813	93034703101 *	SNODO ASSIALE AXIAL JOINT		RHT M14x1,5

DESTRO
RIGHT



SINISTRO
LEFT

911 - CARRERA - TURBO - CABRIOLET	964	1989 > 05/1994
-----------------------------------	-----	----------------

Asse Anteriore



Front Axle

0183051



0183051



0283052



0283053



0283053



0283052



0403054



0403054



i 1) SOLO TURBO - ONLY TURBO	2) SOLO CARRERA/CABRIOLET - ONLY FOR CARRERA/CABRIOLET
-------------------------------------	--

OCAP	O.E.		i	
0183051	96434732202	TESTA STERZO TIE ROD END		RHT M14x1,5
0283052	96534703200	TESTA STERZO TIE ROD END	1)	RHT M14x1,5
0283053	96434703200	TESTA STERZO TIE ROD END	2)	RHT M14x1,5
0403054	96434104903	SNODO SOSPENSIONE INFERIORE SUSPENSION JOINT - LOWER		

DESTRO
RIGHT



SINISTRO
LEFT

911 - TARGA - CABRIO

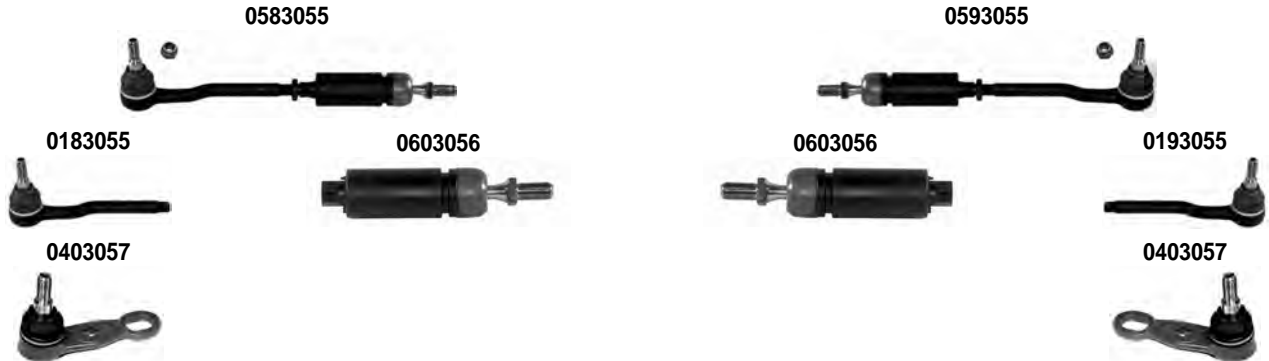
993

1994 > 09/1997

Asse Anteriore



Front Axle



OCAP	O.E.			
0183055	-	TESTA STERZO TIE ROD END		RHT M14x1,5
0193055	-	TESTA STERZO TIE ROD END		RHT M14x1,5
0403057	99334104902	SNODO SOSPENSIONE INFERIORE SUSPENSION JOINT - LOWER		
0583055	99334703181	BARRA STERZO TIE ROD		
0593055	99334703103	BARRA STERZO TIE ROD		
0603056	99334713101	SNODO ASSIALE AXIAL JOINT		RHT M14x1,5

911

DESTRO
RIGHT



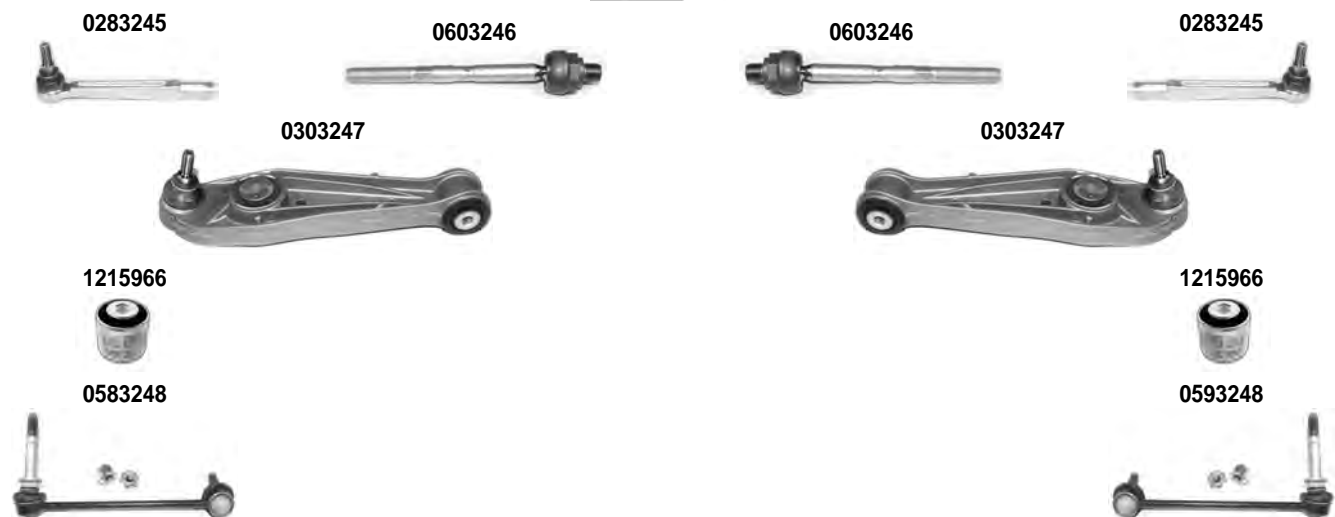
SINISTRO
LEFT

911	996	09/1997 > 08/2005
-----	-----	-------------------

Asse Anteriore



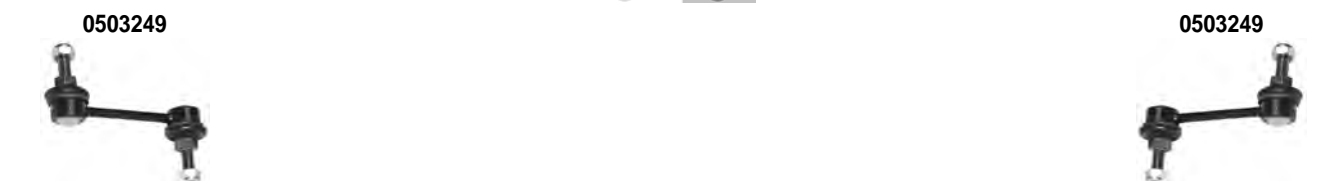
Front Axle



Asse Posteriore



Rear Axle



OCAP	O.E.			
0283245	99634713104	TESTA STERZO - ALLUMINIO TIE ROD END - ALUMINIUM		RHT M14x1,5
0303247	99634105317	BRACCIO OSCILLANTE - INFERIORE - ALLUMINIO TRACK CONTROL ARM - LOWER - ALUMINIUM		
0503249	99633306904	STABILIZZATORE STABILIZER LINK		
0583248	99634307003	STABILIZZATORE STABILIZER LINK		
0593248	99634306903	STABILIZZATORE STABILIZER LINK		
0603246	99634732203	SNODO ASSIALE AXIAL JOINT		RHT M14x1,5
1215966	99634105317 *	SILENTBLOCK CENTRALE CENTRAL BUSHING		

DESTRO
RIGHT

 SINISTRO
LEFT

911

997

07/2004 > 06/2012

Asse Anteriore



Front Axle

0283245

0603245

0603245

0283245

0583245

0593245


Asse Posteriore





Rear Axle

0583246

0593246

i 1) ECCETTO - EXCEPT: MOD. 4WD - TURBO

OCAP	O.E.		i	
0283245	99634713104	TESTA STERZO - ALLUMINIO TIE ROD END - ALUMINIUM		RHT M14x1,5
0583245	99734307004	STABILIZZATORE STABILIZER LINK	1)	
0583246	99733307006	STABILIZZATORE STABILIZER LINK		
0593245	99734306904	STABILIZZATORE STABILIZER LINK	1)	
0593246	99733306906	STABILIZZATORE STABILIZER LINK		
0603245	99734732201	SNODO ASSIALE AXIAL JOINT		RHT M14x1,5

914

DESTRO
RIGHT



SINISTRO
LEFT

914		1969 > 1975
-----	--	-------------

Asse Anteriore






Front Axle

0180282



0180282



OCAP	O.E.			
0180282	91134732204	TESTA STERZO TIE ROD END		RHT M14x1,5

DESTRO
RIGHT

 SINISTRO
LEFT

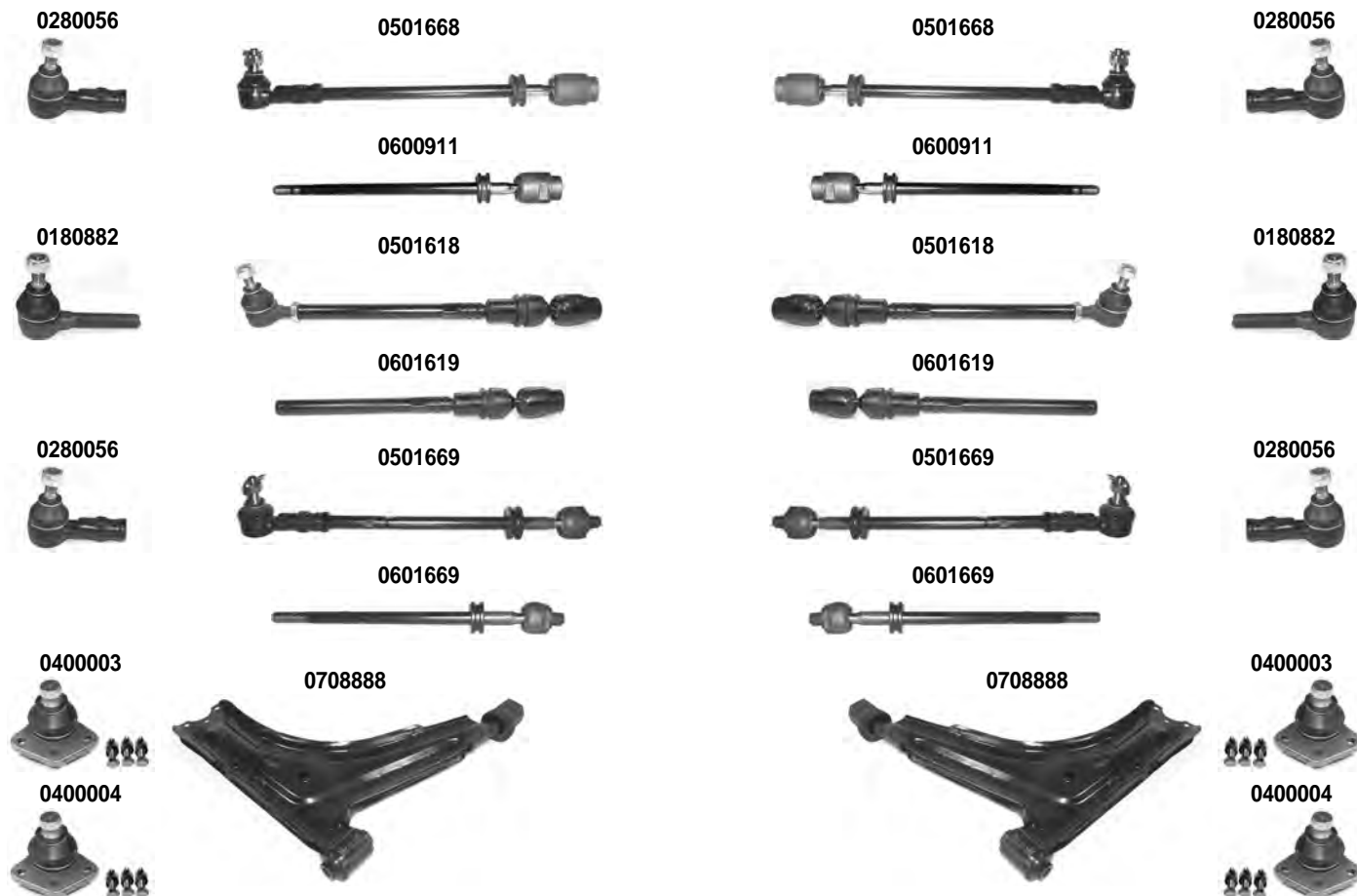
924 - 924 TURBO

1975 > 1988

Asse Anteriore



Front Axle



1) > CH. 92DN402093 3) CH. 92DN402094 > 5) > 1977 7) SENZA SNODO SOSPENSIONE - WITHOUT BALL JOINT	2) STERZO MANUALE - MANUAL STEERING 4) SERVOSTERZO - POWER STEERING 6) 1978 >
--	---

OCAP	O.E.		i	
0180882	311415812C	TESTA STERZO TIE ROD END	2) 3)	
0280056	171419811A	TESTA STERZO TIE ROD END		RHT M14x1,5
0400003	171407365D	SNODO SOSPENSIONE - INFERIORE SUSPENSION JOINT - LOWER	5)	DIAM. 15 mm.
0400004	171407365F	SNODO SOSPENSIONE - INFERIORE SUSPENSION JOINT - LOWER	6)	DIAM. 17 mm.
0501618	94434703301	BARRA STERZO TIE ROD	2) 3)	
0501668	477419803B	BARRA STERZO TIE ROD	1) 2)	
0501669	94434703320	BARRA STERZO TIE ROD	4)	
0600911	477419813	SNODO ASSIALE AXIAL JOINT		RHT M14x1,5
0601619	94434703301 *	SNODO ASSIALE AXIAL JOINT	2) 3)	
0601669	94434703320 *	SNODO ASSIALE AXIAL JOINT		RHT M14x1,5
0708888	171407153D	BRACCIO OSCILLANTE - INFERIORE TRACK CONTROL ARM - LOWER	7)	

DESTRO
RIGHT



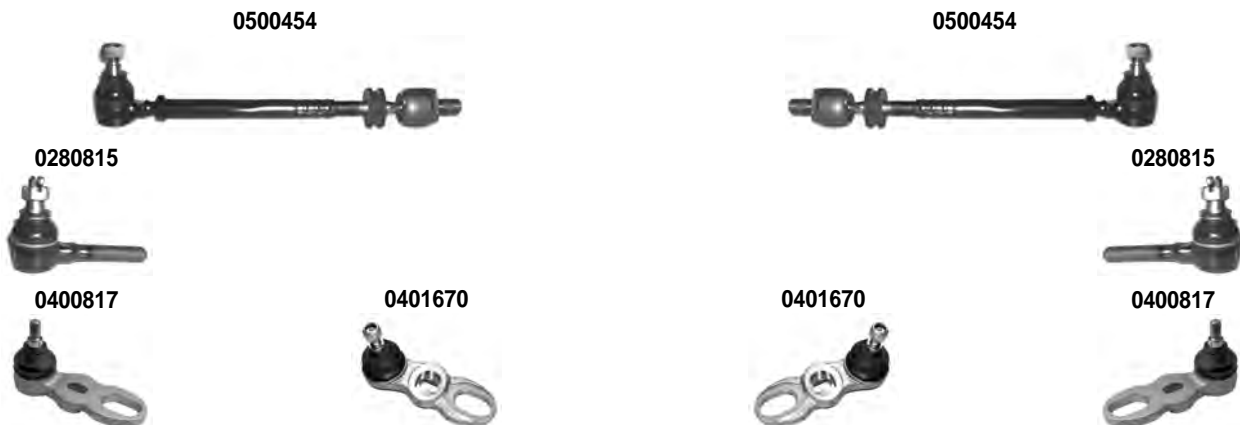
SINISTRO
LEFT

928		1977 > 1995
-----	--	-------------

Asse Anteriore



Front Axle



i 1) > 1985	2) 1986 >
--------------------	---------------------

OCAP	O.E.		i	
0280815	92834732201	TESTA STERZO TIE ROD END		RHT M14x1,5
0400817	92834104912	SNODO SOSPENSIONE - INFERIORE SUSPENSION JOINT - LOWER	1)	
0401670	92834306901	SNODO SOSPENSIONE - INFERIORE SUSPENSION JOINT - LOWER	2)	
0500454	92834703107	BARRA STERZO TIE ROD		

DESTRO
RIGHT

 SINISTRO
LEFT

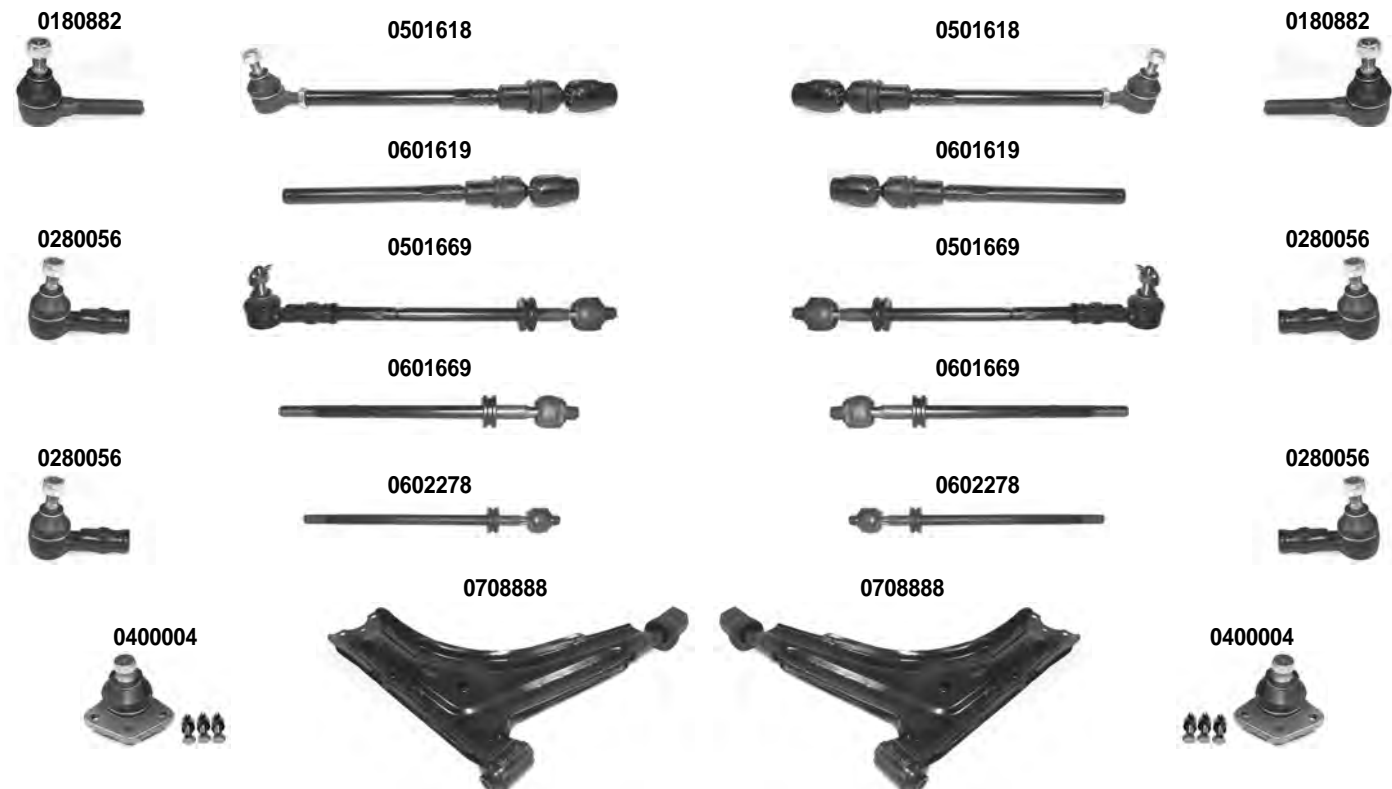
 944 - 944 CABRIO
968

 1982 > 1991
1991 > 1995

Asse Anteriore



Front Axle



i 1) STERZO MANUALE - MANUAL STEERING 3) > 12/1986	2) SERVOSTERZO - POWER STEERING 5) SENZA SNODO SOSPENSIONE - WITHOUT BALL JOINT
--	--

OCAP	O.E.			
0180882	311415812C	TESTA STERZO TIE ROD END	i	
0280056	171419811A	TESTA STERZO TIE ROD END	1)	RHT M14x1,5
0400004	171407365F	SNODO SOSPENSIONE - INFERIORE SUSPENSION JOINT - LOWER	2)	
0501618	94434703301	BARRA STERZO TIE ROD		DIAM. 17 mm.
0501669	94434703320	BARRA STERZO TIE ROD	1)	
0601619	94434703301 *	SNODO ASSIALE AXIAL JOINT	2) 3)	
0601669	94434703320 *	SNODO ASSIALE AXIAL JOINT	1)	RHT M14x1,5
0602278	94434703323 *	SNODO ASSIALE AXIAL JOINT	2) 3)	RHT M14x1,5
0708888	171407153D	BRACCIO OSCILLANTE - INFERIORE TRACK CONTROL ARM - LOWER	2) 4)	
			5)	

DESTRO
RIGHT



SINISTRO
LEFT

BOXSTER	986	09/1996 > 12/2004
----------------	-----	-------------------

Asse Anteriore



Front Axle

0283245



0603246



0603246



0283245



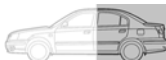
0583248



0593248



Asse Posteriore





Rear Axle

0583248



0593248



OCAP	O.E.		
0283245	99634713104	TESTA STERZO - ALLUMINIO TIE ROD END - ALUMINIUM	RHT M14x1,5
0583248	99634307003	STABILIZZATORE STABILIZER LINK	
0593248	99634306903	STABILIZZATORE STABILIZER LINK	
0603246	99634732203	SNODO ASSIALE AXIAL JOINT	RHT M14x1,5

DESTRO
RIGHT



SINISTRO
LEFT

BOXSTER CAYMAN	987	11/2004 > 05/2012
	987	11/2005 > 05/2013

Asse Anteriore



Front Axle

0283245



0603245



0603245



0283245



0583245



0593245



Asse Posteriore



Rear Axle

0583245



0593245



OCAP	O.E.			
0283245	99634713104	TESTA STERZO - ALLUMINIO TIE ROD END - ALUMINIUM		RHT M14x1,5
0583245	99734307004	STABILIZZATORE STABILIZER LINK		
0593245	99734306904	STABILIZZATORE STABILIZER LINK		
0603245	99734732201	SNODO ASSIALE AXIAL JOINT		RHT M14x1,5

DESTRO
RIGHT



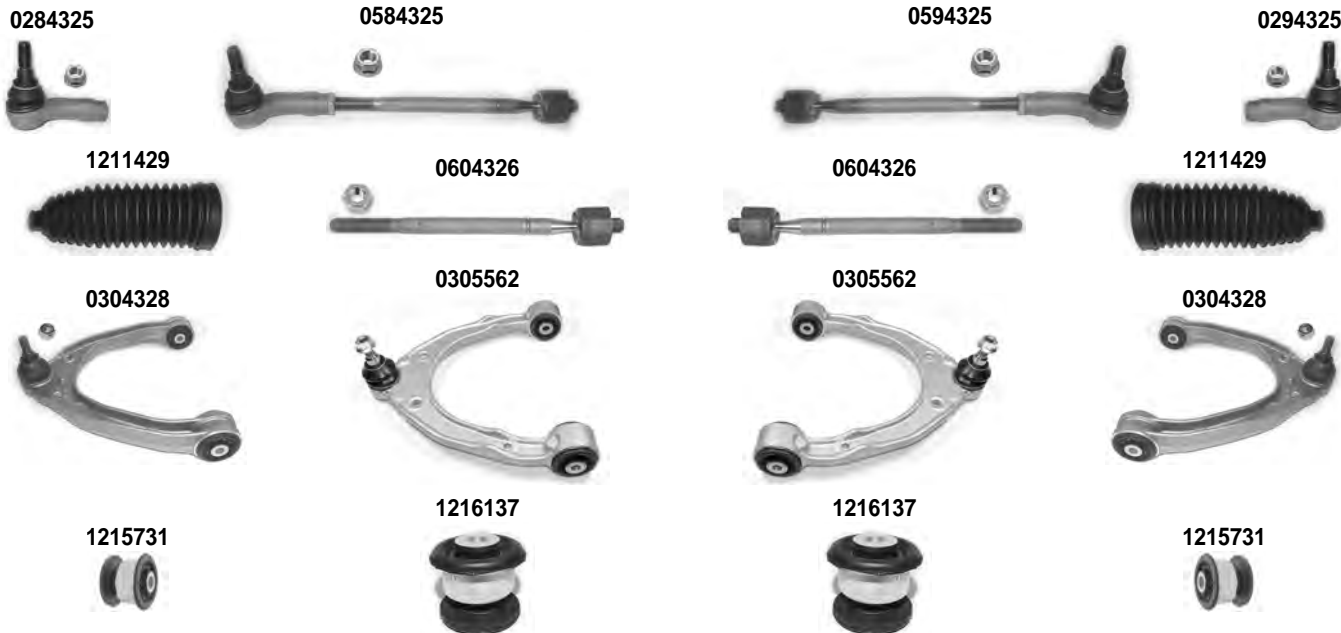
SINISTRO
LEFT

CAYENNE CAYENNE	9PA 92A	2002 > 2010 06/2010 >
--------------------	------------	--------------------------

Asse Anteriore



Front Axle



i 4) 06/2010 >

OCAP	O.E.		i	
0284325	95534713221	TESTA STERZO TIE ROD END		RHT M16x1,5
0294325	95534713121	TESTA STERZO TIE ROD END		RHT M16x1,5
0304328	95534102701	BRACCIO OSCILLANTE - SUPERIORE - ALLUMINIO TRACK CONTROL ARM - UPPER - ALUMINIUM		
0305562	7P0407021	BRACCIO OSCILLANTE - SUPERIORE - ALLUMINIO TRACK CONTROL ARM - UPPER - ALUMINIUM	4)	
0584325	95534703221	BARRA STERZO TIE ROD		
0594325	95534703121	BARRA STERZO TIE ROD		
0604326	7L0422821	SNODO ASSIALE AXIAL JOINT		RHT M16x1,5
1211429	95534719110	CUFFIA STERZO STEERING GAITER		
1215731	7L0407077	SILENTBLOCK BUSHING		
1216137	7P0407021 *	SILENTBLOCK BUSHING	4)	

DESTRO
RIGHT



SINISTRO
LEFT

CAYENNE
CAYENNE

9PA
92A

2002 > 2010
06/2010 >

Asse Anteriore



Front Axle



i 1) > CH. 9P8LA34847
 3) CH. 9P8LA34848 > - VERSIONE RUSSIA - RUSSIAN VERSION
 2) LATO SNODO - N. 1 PEZZO - BALL JOINT SIDE - N. 1 PIECE
 4) 06/2010 >

OCAP	O.E.		i	
0384327	95534101830	BRACCIO OSCILLANTE - INFERIORE - GHISA TRACK CONTROL ARM - LOWER - CAST IRON	1)	
0384332	95534101861	BRACCIO OSCILLANTE - INFERIORE - GHISA TRACK CONTROL ARM - LOWER - CAST IRON	3)	
0384593	95834105400	BRACCIO OSCILLANTE - INFERIORE - ALLUMINIO TRACK CONTROL ARM - LOWER - ALUMINIUM	4)	
0394327	95534101730	BRACCIO OSCILLANTE - INFERIORE - GHISA TRACK CONTROL ARM - LOWER - CAST IRON	1)	
0394332	95534101761	BRACCIO OSCILLANTE - INFERIORE - GHISA TRACK CONTROL ARM - LOWER - CAST IRON	3)	
0394593	95834105300	BRACCIO OSCILLANTE - INFERIORE - ALLUMINIO TRACK CONTROL ARM - LOWER - ALUMINIUM	4)	
1215732	95534158810	SILENTBLOCK CENTRALE CENTRAL BUSHING		
1215733	7L0412333A	SILENTBLOCK CENTRALE CENTRAL BUSHING	2)	
1215734	95534124203	SILENTBLOCK ESTREMO OUTER BUSHING		DIAM. 60,2 mm.
1215882	7L0407182F	SILENTBLOCK ESTREMO OUTER BUSHING		DIAM. 72 mm.

DESTRO
RIGHT



SINISTRO
LEFT

CAYENNE
CAYENNE

9PA
92A

2002 > 2010
06/2010 >

Asse Anteriore



Front Axle

1215735

0504329

1215735

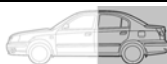
1215735

0504329

1215735



Asse Posteriore



Rear Axle

1216088

0385545

1216089

1216089

0395545

1216088



1216090

0305546

1216091

1216091

0305546

1216090



0704329

0704329



1216090

1216088



1216088

1216090



OCAP	O.E.			
0305546	7L0505323A	BRACCIO OSCILLANTE - ALLUMINIO TRACK CONTROL ARM - ALUMINIUM		
0385545	7L0505398	BRACCIO OSCILLANTE - ALLUMINIO TRACK CONTROL ARM - ALUMINIUM		
0395545	7L0505397	BRACCIO OSCILLANTE - ALLUMINIO TRACK CONTROL ARM - ALUMINIUM		
0504329	95534306900	STABILIZZATORE STABILIZER LINK		
0704329	7L0501529D	BRACCIO OSCILLANTE TRACK CONTROL ARM		
1215735	7L0411317 *	SILENTBLOCK BUSHING		
1216088	7L0505398 *	SILENTBLOCK BUSHING		
1216089	7L0505397 *	SILENTBLOCK BUSHING		
1216090	7L0505323A *	SILENTBLOCK BUSHING		
1216091	7L0505375A *	SILENTBLOCK BUSHING		

DESTRO
RIGHT



SINISTRO
LEFT

CAYENNE
CAYENNE

9PA
92A

2002 > 2010
06/2010 >

Asse Posteriore



Rear Axle

0788674



1216432



1216432



0798674






0584332



0594332



OCAP	O.E.			
0584332	95533307021	STABILIZZATORE STABILIZER LINK		
0594332	95533306921	STABILIZZATORE STABILIZER LINK		
0788674	7L0505312B	BRACCIO OSCILLANTE - INFERIORE TRACK CONTROL ARM - LOWER		
0798674	7L0505311B	BRACCIO OSCILLANTE - INFERIORE TRACK CONTROL ARM - LOWER		
1216432	7L0505311B *	SILENTBLOCK BUSHING		

DESTRO
RIGHT



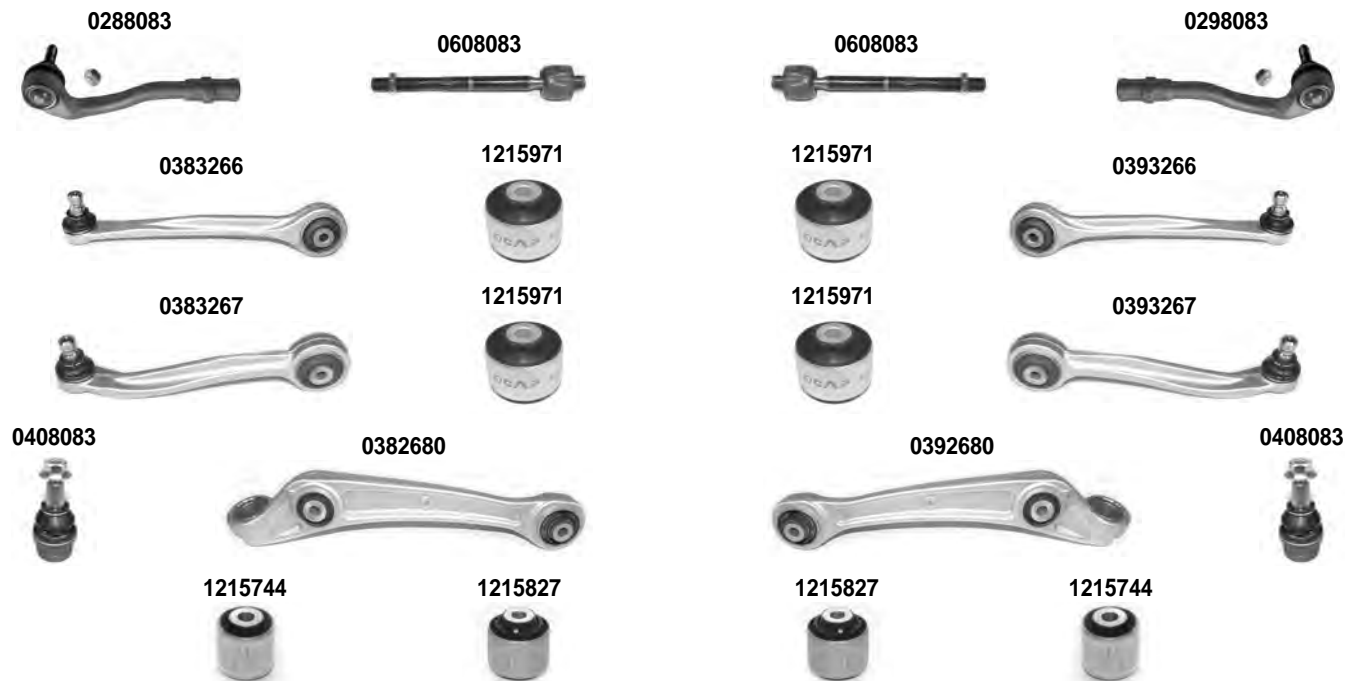
SINISTRO
LEFT

MACAN	95B	02/2014 >
-------	-----	-----------

Asse Anteriore



Front Axle



OCAP	O.E.			
0288083	4G0423812A	TESTA STERZO TIE ROD END		RHT M16x1,5
0298083	4G0423811A	TESTA STERZO TIE ROD END		RHT M16x1,5
0382680	8K0407152G	BRACCIO OSCILLANTE - INFERIORE - ALLUMINIO TRACK CONTROL ARM - LOWER - ALUMINIUM		
0383266	8K0407506B	BRACCIO OSCILLANTE - SUPERIORE - ALLUMINIO TRACK CONTROL ARM - UPPER - ALUMINIUM		
0383267	8K0407510M	BRACCIO OSCILLANTE - SUPERIORE - ALLUMINIO TRACK CONTROL ARM - UPPER - ALUMINIUM		
0392680	8K0407151G	BRACCIO OSCILLANTE - INFERIORE - ALLUMINIO TRACK CONTROL ARM- LOWER - ALUMINIUM		
0393266	8K0407505B	BRACCIO OSCILLANTE - SUPERIORE - ALLUMINIO TRACK CONTROL ARM - UPPER - ALUMINIUM		
0393267	8K0407509M	BRACCIO OSCILLANTE - SUPERIORE - ALLUMINIO TRACK CONTROL ARM - UPPER - ALUMINIUM		
0408083	4G0407689A	SNODO SOSPENSIONE - INFERIORE BALL JOINT - LOWER		
0608083	4G0423810A	SNODO ASSIALE AXIAL JOINT		RHT M16x1,5
1215744	4E0407181B	SILENTBLOCK CENTRALE CENTRAL BUSHING		
1215827	8K0407182B	SILENTBLOCK ESTREMO OUTER BUSHING		
1215971	8R0407515	SILENTBLOCK BUSHING		

DESTRO
RIGHT



SINISTRO
LEFT

MACAN

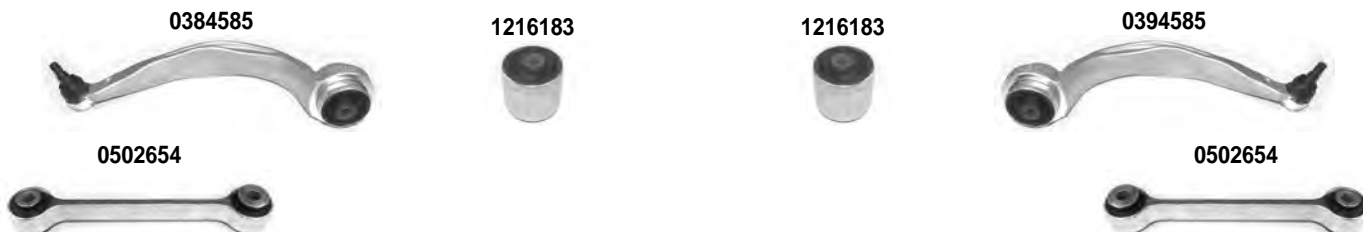
95B

02/2014 >

Asse Anteriore



Front Axle



Asse Posteriore



Rear Axle



OCAP	O.E.			
0382682	8K0505324F	BRACCIO OSCILLANTE - SUPERIORE - ALLUMINIO TRACK CONTROL ARM - UPPER - ALUMINIUM		
0384585	8K0407694S	BRACCIO OSCILLANTE - INFERIORE - ALLUMINIO TRACK CONTROL ARM - LOWER - ALUMINIUM		
0392682	8K0505323F	BRACCIO OSCILLANTE - SUPERIORE - ALLUMINIO TRACK CONTROL ARM - UPPER - ALUMINIUM		
0394585	8K0407693S	BRACCIO OSCILLANTE - INFERIORE - ALLUMINIO TRACK CONTROL ARM - LOWER - ALUMINIUM		
0502654	8K0411317E	STABILIZZATORE STABILIZER LINK		
0505780	95B505465	STABILIZZATORE STABILIZER LINK		
0705780	8K0501529L	BRACCIO OSCILLANTE - INFERIORE TRACK CONTROL ARM- LOWER		
1215844	8K0505324F *	SILENTBLOCK BRACCIO OSCILLANTE - SUPERIORE TRACK CONTROL ARM BUSHING - UPPER		
1215845	8K0501530N *	SILENTBLOCK BRACCIO OSCILLANTE - INFERIORE TRACKCONTROL ARM BUSHING - LOWER		
1216183	8K0407183D	SILENTBLOCK BUSHING		DIAM. 75 mm.

DESTRO
RIGHT

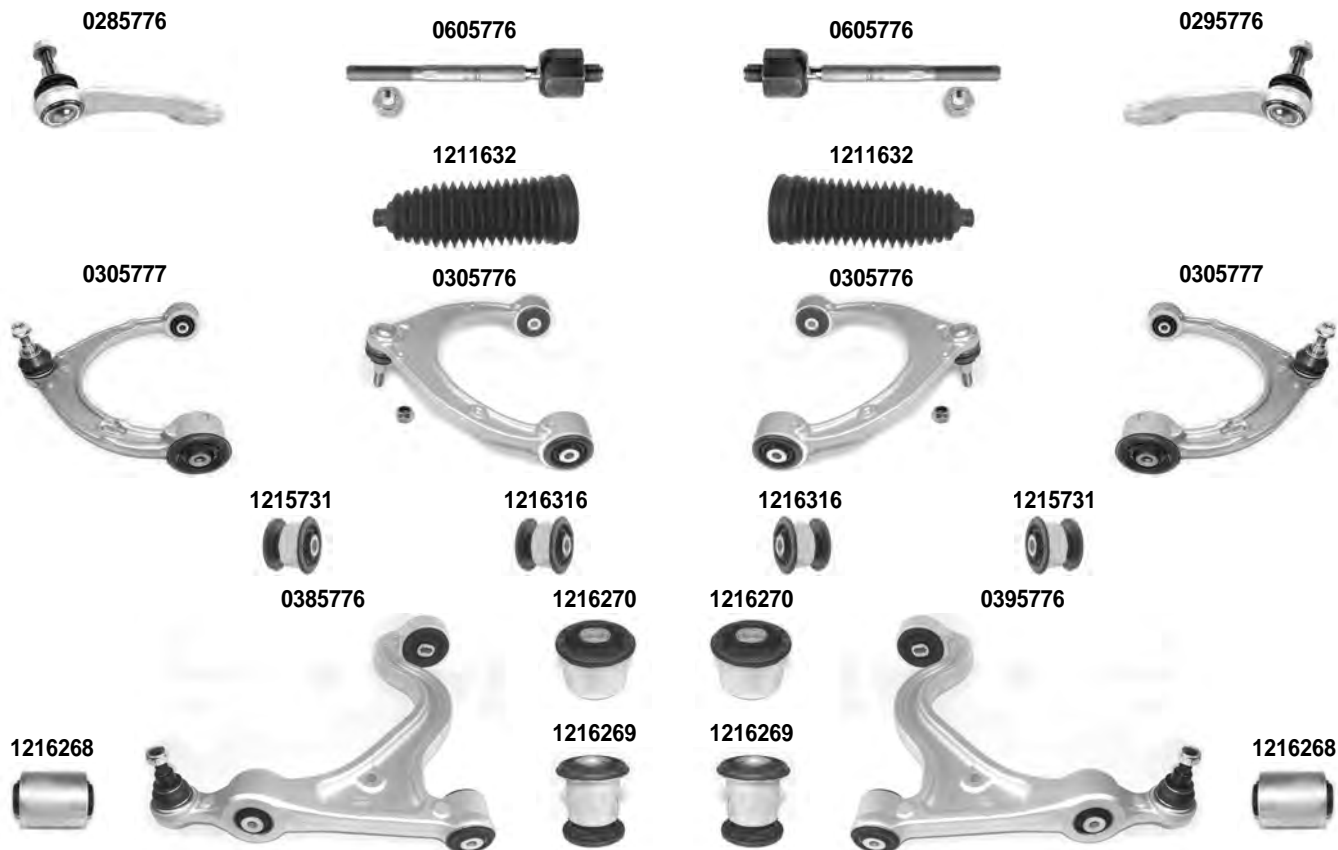


SINISTRO
LEFT

PANAMERA	970	09/2009 > 2016
-----------------	-----	----------------

Asse Anteriore

Front Axle



i 1) > 2013	2) 2014 >
--------------------	-----------

OCAP	O.E.		i	
0285776	97034713201	TESTA STERZO TIE ROD END		RHT M14x1,5
0295776	97034713101	TESTA STERZO TIE ROD END		RHT M14x1,5
0305776	97034105110	BRACCIO OSCILLANTE - SUPERIORE - ALLUMINIO TRACK CONTROL ARM - UPPER - ALUMINIUM	1)	
0305777	97034105122	BRACCIO OSCILLANTE - SUPERIORE - ALLUMINIO TRACK CONTROL ARM - UPPER - ALUMINIUM	2)	
0385776	97034105404	BRACCIO OSCILLANTE - INFERIORE - ALLUMINIO TRACK CONTROL ARM - LOWER - ALUMINIUM	1)	
0395776	97034105304	BRACCIO OSCILLANTE - INFERIORE - ALLUMINIO TRACK CONTROL ARM - LOWER - ALUMINIUM	1)	
0605776	97034713300	SNODO ASSIALE AXIAL JOINT		RHT M14x1,5
1211632	97034719100	CUFFIA STERZO STEERING GAITER		
1215731	97034124710	SILENTBLOCK BUSHING		
1216268	97034124301	SILENTBLOCK LATO SNODO BUSHING - BALL JOINT SIDE		
1216269	97034124101	SILENTBLOCK CENTRALE CENTRAL BUSHING	1)	
1216270	97034124502	SILENTBLOCK ESTREMO OUTER BUSHING	1)	
1216316	97034105122 *	SILENTBLOCK BUSHING	2)	

DESTRO
RIGHT

 SINISTRO
LEFT

PANAMERA

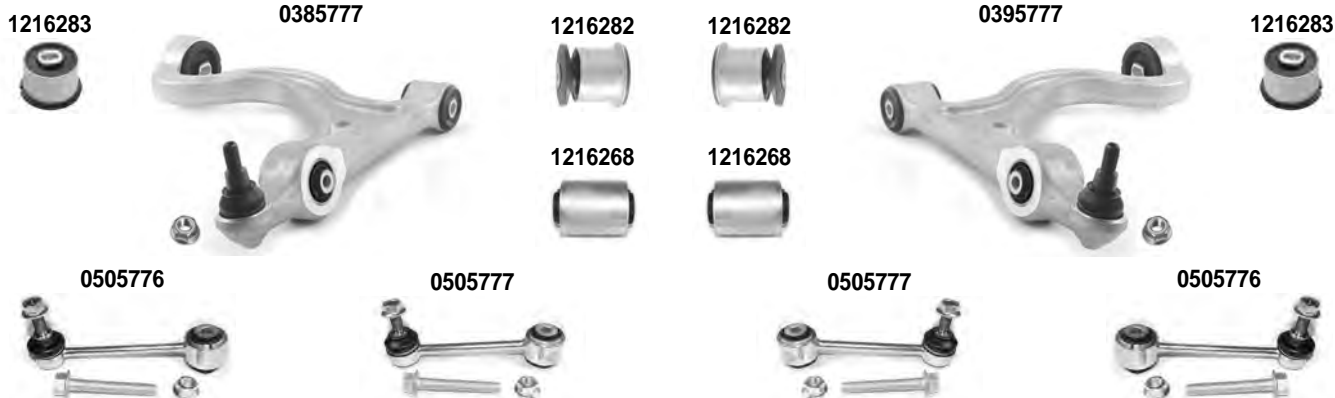
970

09/2009 > 2016

Asse Anteriore



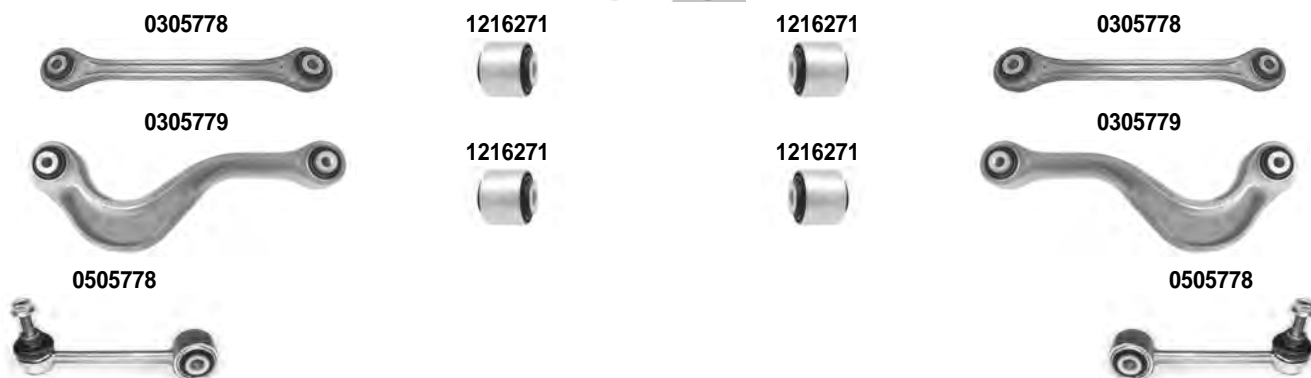
Front Axle



Asse Posteriore



Rear Axle



2) 2014 >

i 4) SOLO PER MODELLI CON SOSPENSIONI PNEUMATICHE REGOLABILI (PDCC) - ONLY FOR MODELS WITH ADJUSTABLE SUSPENSION (PDCC)

3) ECCETTO MODELLI CON SOSPENSIONI PNEUMATICHE REGOLABILI (PDCC) - EXCEPT MODELS WITH ADJUSTABLE SUSPENSION (PDCC)

OCAP	O.E.		i	
0305778	97033104300	BRACCIO SOSPENSIONE - INFERIORE - ALLUMINIO TRACK CONTROL ARM - LOWER - ALUMINIUM		
0305779	97033104700	BRACCIO SOSPENSIONE - SUPERIORE - ALLUMINIO TRACK CONTROL ARM - UPPER - ALUMINIUM		
0385777	97034105423	BRACCIO OSCILLANTE - INFERIORE - ALLUMINIO TRACK CONTROL ARM - LOWER - ALUMINIUM	2)	
0395777	97034105323	BRACCIO OSCILLANTE - INFERIORE - ALLUMINIO TRACK CONTROL ARM - LOWER - ALUMINIUM	2)	
0505776	97034306901	STABILIZZATORE STABILIZER LINK	3)	
0505777	97034306921	STABILIZZATORE STABILIZER LINK	4)	
0505778	97033306903	STABILIZZATORE STABILIZER LINK		
1216268	97034124301	SILENTBLOCK LATO SNODO BUSHING - BALL JOINT SIDE		
1216271	97033124200	SILENTBLOCK BUSHING		
1216282	97034124121	SILENTBLOCK CENTRALE CENTRAL BUSHING	2)	
1216283	97034124521	SILENTBLOCK ESTREMO OUTER BUSHING	2)	

DESTRO
RIGHT



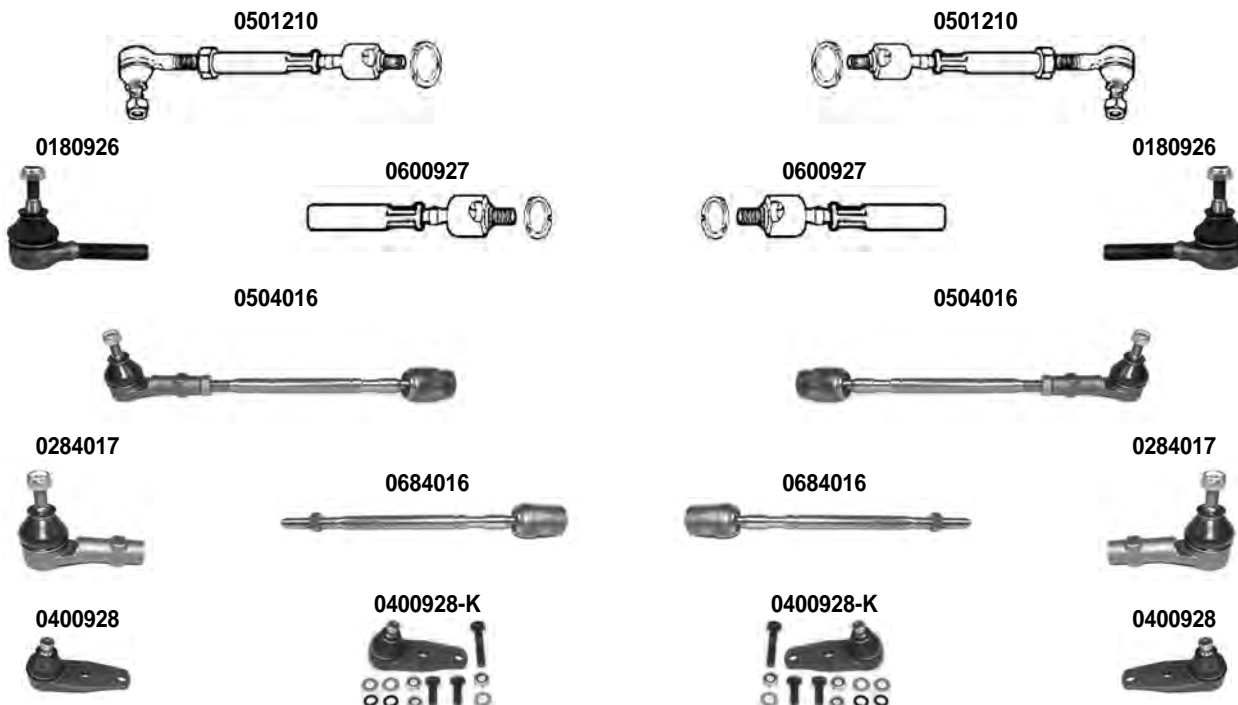
SINISTRO
LEFT

ALIANCE

Asse Anteriore



Front Axle



<p>i 1) STERZO MANUALE - MANUAL STEERING 3) CON KIT VITI E DADI M10 - WITH SCREWS AND NUTS KIT M10</p>	<p>2) SERVOSTERZO - POWER STEERING</p>
---	--

OCAP	O.E.		i	
0180926	7701461141	TESTA STERZO TIE ROD END	1)	RHT M14x1,5
0284017	8732000422	TESTA STERZO TIE ROD END	2)	
0400928	7701462182	SNODO SOSPENSIONE - INFERIORE BALL JOINT - LOWER		DIAM. 16 mm.
0501210	7701462540	BARRA STERZO CON KIT TIE ROD WITH KIT ASSEMBLY	1)	
0504016	-	BARRA STERZO TIE ROD	2)	
0600927	7701462170	SNODO ASSIALE - CON KIT AXIAL JOINT WITH KIT ASSEMBLY	1)	RHT M14x1,5
0684016	-	SNODO ASSIALE AXIAL JOINT	2)	
0400928-K	7701462182 *	SNODO SOSPENSIONE - INFERIORE BALL JOINT - LOWER	3)	

DESTRO
RIGHT

 SINISTRO
LEFT

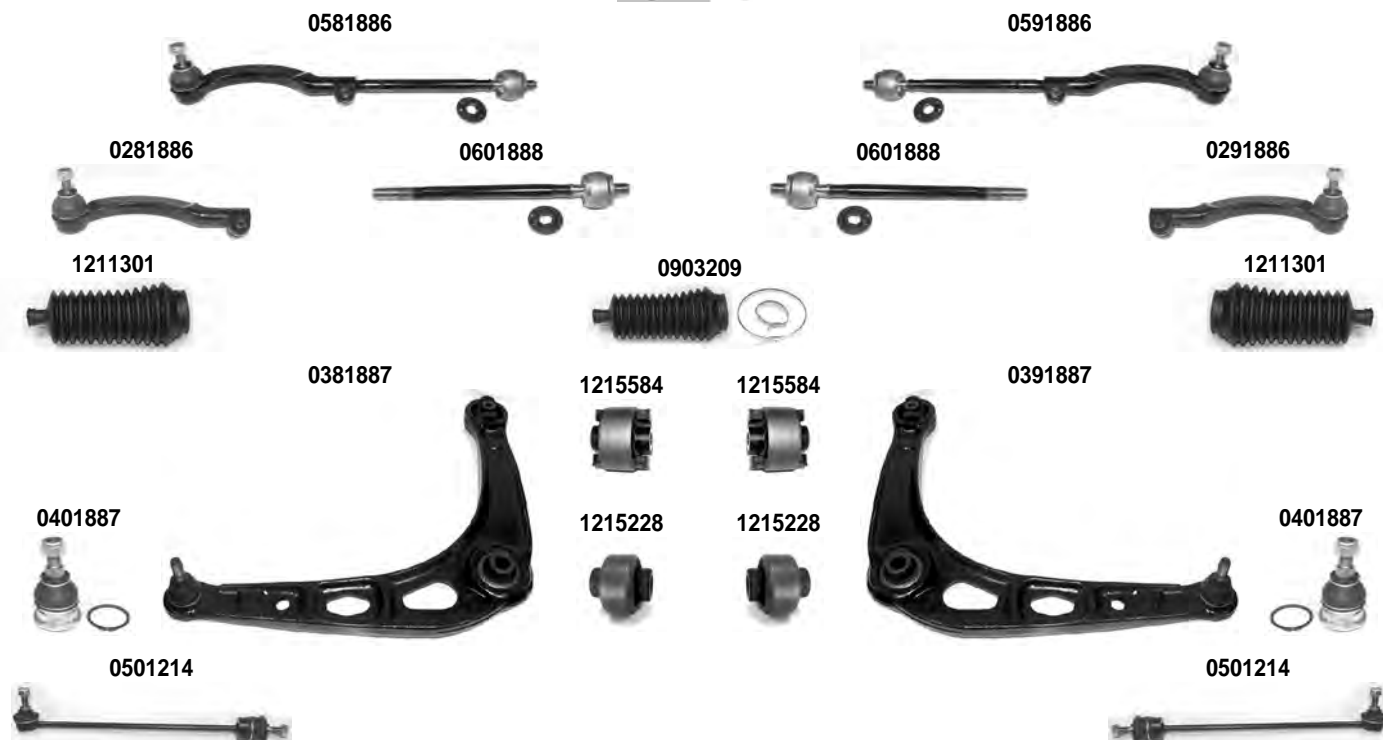
**AVANTIME
VEL SATIS**

 2001 >
2002 >

Asse Anteriore



Front Axle



OCAP	O.E.			
0281886	6025370230	TESTA STERZO TIE ROD END		
0291886	6025370229	TESTA STERZO TIE ROD END		
0381887	6025307650	BRACCIO OSCILLANTE TRACK CONTROL ARM		
0391887	6025307649	BRACCIO OSCILLANTE TRACK CONTROL ARM		
0401887	6025308155	SNODO SOSPENSIONE BALL JOINT		
0501214	7700805494	STABILIZZATORE STABILIZER LINK		
0581886	6025370494	BARRA STERZO TIE ROD		
0591886	6025370493	BARRA STERZO TIE ROD		
0601888	-	SNODO ASSIALE AXIAL JOINT		
0903209	7701469496	KIT CUFFIE STERZO STEERING GAITER KIT		
1211301	7701469496 *	CUFFIA STERZO STEERING GAITER		
1215228	7700822503	SILENTBLOCK CENTRALE CENTRAL BUSHING		
1215584	6025311529	SILENTBLOCK ESTREMO OUTER BUSHING		

A21.1 - A31.1 - A21T - A31T

DESTRO
RIGHT



SINISTRO
LEFT

A21.1 - A31.1 - A21T - A31T	AVIA	
-----------------------------	------	--

Asse Anteriore



Front Axle



OCAP	O.E.			
0187251	360-501441	TESTA STERZO TIE ROD END		RHT M16x1,5
0197251	360-501442	TESTA STERZO TIE ROD END		RHT M16x1,5
0507251	360-500427	BARRA STERZO TIE ROD		

DESTRO
RIGHT

 SINISTRO
LEFT

CAPTUR

06/2013 >

Asse Anteriore



Front Axle



OCAP	O.E.			
0285583	48520-8355R	TESTA STERZO TIE ROD END		RHT M14x1,5
0295583	48520-0368R	TESTA STERZO TIE ROD END		RHT M14x1,5
0404173	401604793R	SNODO SOSPENSIONE - INFERIORE BALL JOINT - LOWER		
0504410	55110-7916R	STABILIZZATORE STABILIZER LINK		
0605583	48521-1071R *	SNODO ASSIALE AXIAL JOINT		RHT M14x1,5
0784173	54504-0131R	BRACCIO OSCILLANTE - INFERIORE TRACK CONTROL ARM - LOWER		
0794173	54505-9335R	BRACCIO OSCILLANTE - INFERIORE TRACK CONTROL ARM - LOWER		
0905583	48521-1071R	KIT SNODO ASSIALE AXIAL JOINT KIT		RHT M14x1,5
0905584	48203-0586R	KIT CUFFIA STERZO STEERING GAITER KIT		
1215688	8200242025	SILENTBLOCK CENTRALE CENTRAL BUSHING		
1215726	8200041166	SILENTBLOCK ESTREMO OUTER BUSHING		

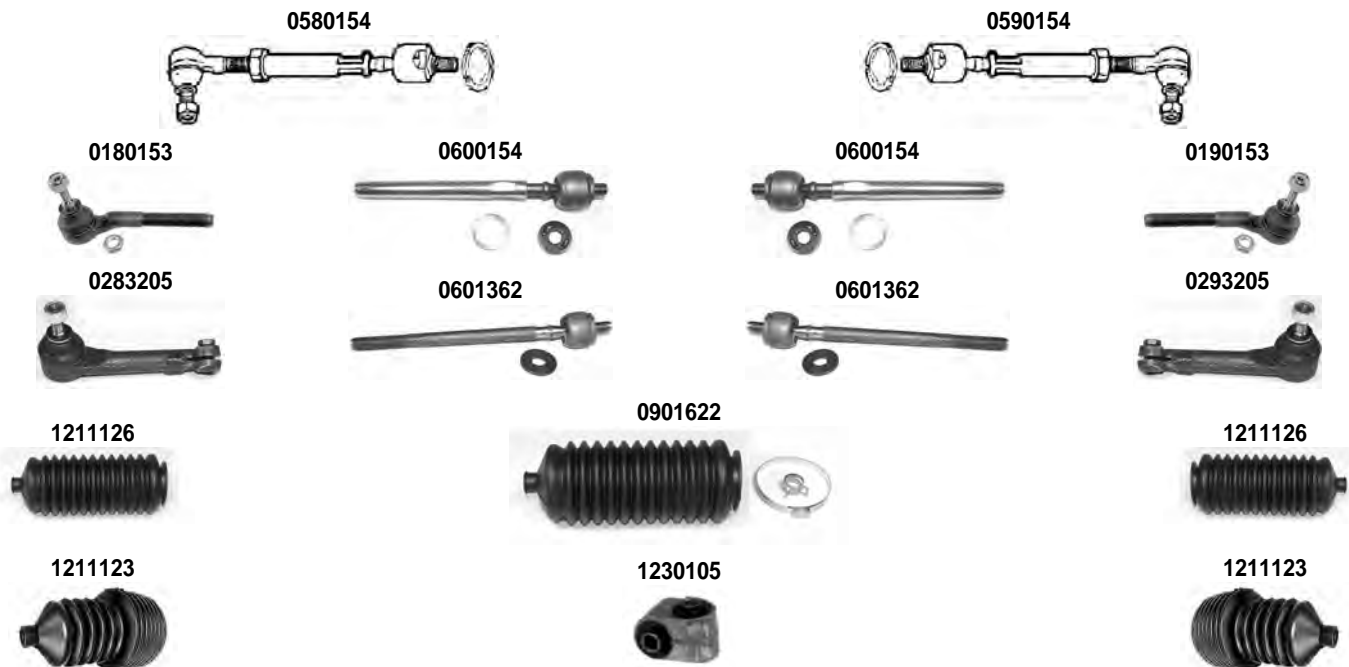


CLIO	1990 > 09/1998
------	----------------

Asse Anteriore



Front Axle



i 1) STERZO MANUALE - MANUAL STEERING 3) 1996 >	2) SERVOSTERZO - POWER STEERING
---	---------------------------------

OCAP	O.E.		i	
0180153	7701467274	TESTA STERZO TIE ROD END		RHT M14x1,5
0190153	7701467273	TESTA STERZO TIE ROD END		RHT M14x1,5
0283205	7701470766	TESTA STERZO TIE ROD END	3)	RHT M14x1,5
0293205	7701470765	TESTA STERZO TIE ROD END	3)	RHT M14x1,5
0580154	7701467272	BARRA STERZO CON KIT TIE ROD WITH KIT ASSEMBLY		
0590154	7701467271	BARRA STERZO CON KIT TIE ROD WITH KIT ASSEMBLY		
0600154	7701469777	KIT SNODO ASSIALE AXIAL JOINT KIT		RHT M14x1,5
0601362	-	SNODO ASSIALE AXIAL JOINT	3)	RHT M14x1,5
0901622	7700678649 *	KIT CUFFIE STERZO STEERING GAITER KIT	1)	
1211123	7700706007	CUFFIA STERZO STEERING GAITER	2)	
1211126	7700678649	CUFFIA STERZO STEERING GAITER	1)	
1230105	7700687433	GIUNTO STERZO STEERING JOINT		

DESTRO
RIGHT

 SINISTRO
LEFT

CLIO

1990 > 09/1998

Asse Anteriore



Front Axle



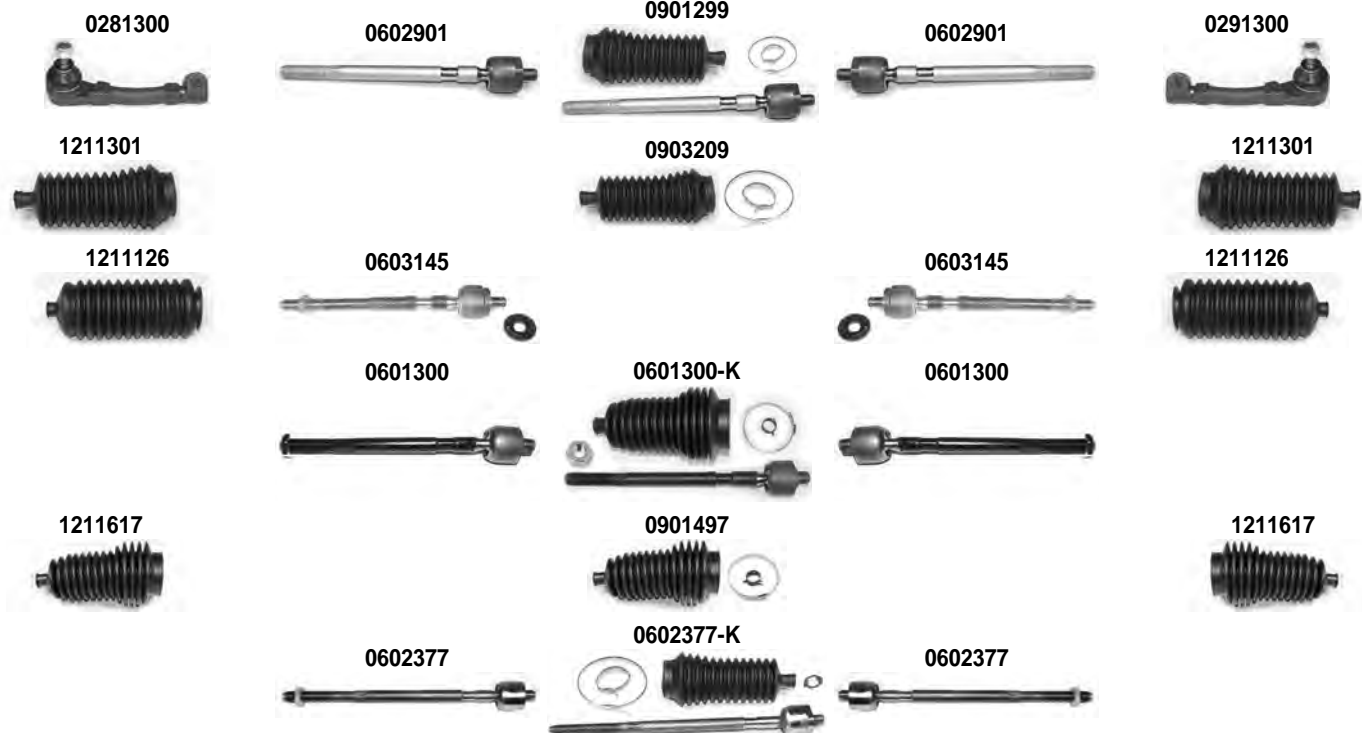
i 4) MOD. 16V		5) ECCEPPO - EXCEPT 4X4		
OCAP	O.E.		i	
0400928	7701462182	SNODO SOSPENSIONE - INFERIORE BALL JOINT - LOWER		DIAM. 16 mm.
0780413	7700794387	BRACCIO OSCILLANTE - INFERIORE TRACK CONTROL ARM - LOWER		
0780414	7700794834	BRACCIO OSCILLANTE - INFERIORE TRACK CONTROL ARM - LOWER	4)	
0790413	7700794386	BRACCIO OSCILLANTE - INFERIORE TRACK CONTROL ARM - LOWER		
0790414	7700794833	BRACCIO OSCILLANTE - INFERIORE TRACK CONTROL ARM - LOWER	4)	
0901340	7700799404	STABILIZZATORE STABILIZER LINK	5)	
1214029	7700798053	BOCCOLA BARRA STABILIZZATRICE STABILIZING BAR BUSHING		
1215096	7700799064	SILENTBLOCK BUSHING		
1215097	7700799065	SILENTBLOCK BUSHING		
1215308	7700799066	SILENTBLOCK BUSHING		
0400928-K	7701462182 *	SNODO SOSPENSIONE - INFERIORE CON KIT VITI E DADI M10 BALL JOINT - LOWER - WITH SCREWS AND NUTS KIT M10		



CLIO	II	09/1998 >
------	----	-----------

Asse Anteriore

Front Axle



<p>i</p> <p>1) > 12/1999 3) 01/2000 > 06/2001 6) SCATOLA STERZO - STEERING BOX - SMI</p>	2) SERVOSTERZO - POWER STEERING
	5) STERZO MANUALE - MANUAL STEERING
	7) SCATOLA STERZO - STEERING BOX - TRW

OCAP	O.E.		i	
0281300	7701471127	TESTA STERZO TIE ROD END	1)	RHT M14x1,5
0291300	7701471126	TESTA STERZO TIE ROD END	1)	RHT M14x1,5
0601300	7701471144 *	SNODO ASSIALE AXIAL JOINT	1) 7)	L = 240 mm.
0602377	7701472120 *	SNODO ASSIALE AXIAL JOINT	2) 3) 6)	L = 301 mm.
0602901	-	SNODO ASSIALE AXIAL JOINT	1) 2) 6)	L = 240 mm.
0603145	7701471124	SNODO ASSIALE AXIAL JOINT	1) 5)	L = 240 mm.
0901299	7701471125	KIT SNODO ASSIALE AXIAL JOINT KIT	1) 2) 6)	L = 240 mm.
0901497	7701471141	KIT CUFFIE STERZO STEERING GAITER KIT	7)	
0903209	7701469496	KIT CUFFIE STERZO STEERING GAITER KIT	2)	
1211126	7700678649	CUFFIA STERZO STEERING GAITER	5)	
1211301	7701469496 *	CUFFIA STERZO STEERING GAITER	2)	
1211617	7701471141*	CUFFIA STERZO STEERING GAITER	7)	
0601300-K	7701471144	KIT SNODO ASSIALE AXIAL JOINT KIT	1) 7)	L = 240 mm.
0602377-K	7701472120	KIT SNODO ASSIALE AXIAL JOINT KIT	2) 3) 6)	L = 301 mm.

DESTRO
RIGHT



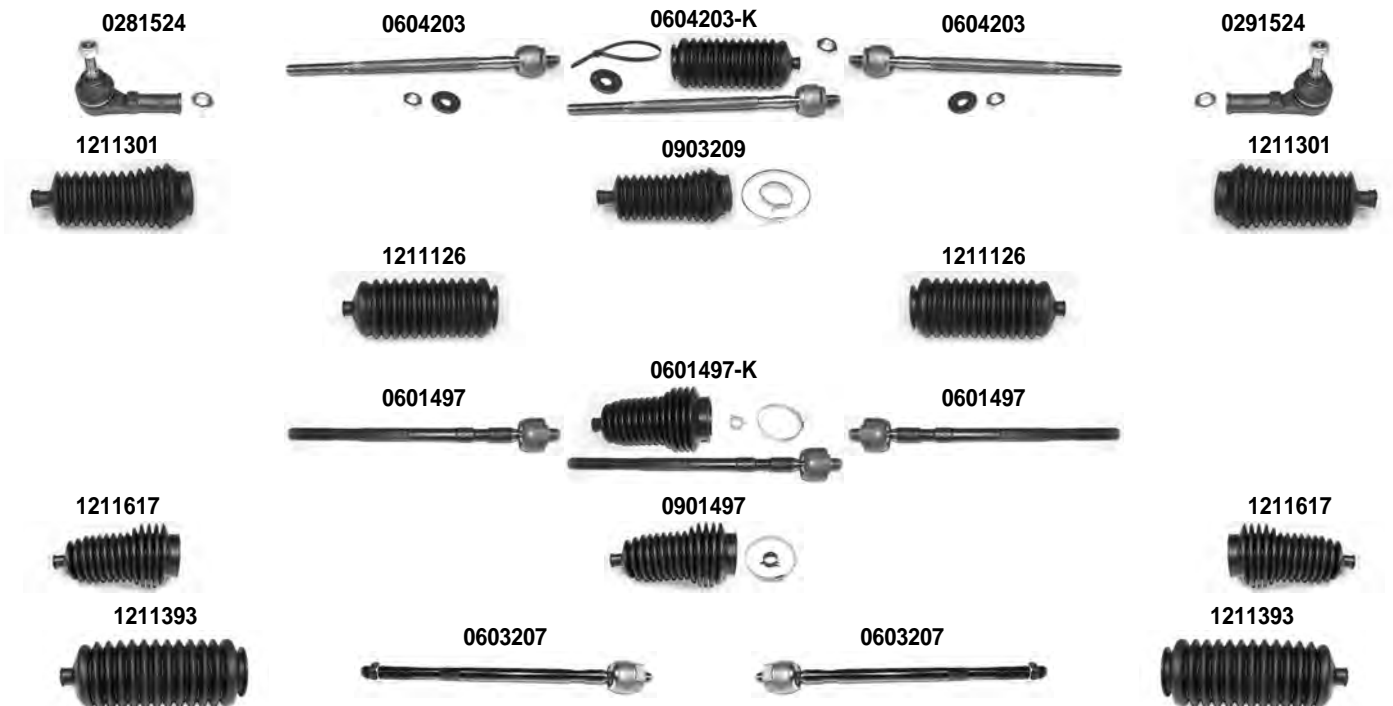
SINISTRO
LEFT

CLIO

CLIO	II	09/1998 >
------	----	-----------

Asse Anteriore

Front Axle



i	2) SERVOSTERZO - POWER STEERING	3) 01/2000 > 06/2001
	4) 2000 >	5) STERZO MANUALE - MANUAL STEERING
	6) SCATOLA STERZO - STEERING BOX - SMI	7) SCATOLA STERZO - STEERING BOX - TRW
	8) 06/2001 >	11) 2.0 16V SPORT

OCAP	O.E.		i	
0281524	7701474493	TESTA STERZO TIE ROD END	4)	RHT M14x1,5
0291524	7701474492	TESTA STERZO TIE ROD END	4)	RHT M14x1,5
0601497	7701472735 *	SNODO ASSIALE AXIAL JOINT	2) 3) 7)	L = 311 mm.
0603207	7701473656	SNODO ASSIALE AXIAL JOINT	11)	L = 334 mm.
0604203	7701472113 *	SNODO ASSIALE AXIAL JOINT	4) 5)	
0901497	7701471141	KIT CUFFIE STERZO STEERING GAITER KIT	7)	
0903209	7701469496	KIT CUFFIE STERZO STEERING GAITER KIT	2)	
1211126	7700678649	CUFFIA STERZO STEERING GAITER	5)	
1211301	7701469496 *	CUFFIA STERZO STEERING GAITER	2)	
1211393	-	CUFFIA STERZO STEERING GAITER	2) 6) 8)	
1211617	7701471141*	CUFFIA STERZO STEERING GAITER	7)	
0601497-K	7701472735	KIT SNODO ASSIALE AXIAL JOINT KIT	2) 3) 7)	L = 311 mm.
0604203-K	7701472113	KIT SNODO ASSIALE AXIAL JOINT KIT	5)	

DESTRO
RIGHT



SINISTRO
LEFT

CLIO		09/1998 >
------	--	-----------

Asse Anteriore



Front Axle



OCAP	O.E.			
0400928	7701462182	SNODO SOSPENSIONE - INFERIORE <i>BALL JOINT LOWER</i>		
0783209	8200197187	BRACCIO OSCILLANTE - INFERIORE - CON VITI SNODO M10 <i>TRACK CONTROL ARM - LOWER - WITH BALL JOINT SCREWS M10</i>		
0793209	8200197179	BRACCIO OSCILLANTE - INFERIORE - CON VITI SNODO M10 <i>TRACK CONTROL ARM - LOWER - WITH BALL JOINT SCREW M10</i>		
1215313	7700424399	SILENTBLOCK <i>BUSHING</i>		
0400928-K	7701462182 *	SNODO SOSPENSIONE - INFERIORE CON KIT VITI E DADI M10 <i>BALL JOINT LOWER - WITH SCREWS AND NUTS KIT M10</i>		

DESTRO
RIGHT

 SINISTRO
LEFT

CLIO	II	09/1998 >
------	----	-----------

Asse Anteriore



Front Axle



i 9) NUOVA VERSIONE - NEW VERSION	10) ECCETTO - EXCEPT 4X4
--	--------------------------

OCAP	O.E.		
0403207	7701468411	SNODO SOSPENSIONE INFERIORE - CON KIT VITI E DADI M12 <i>BALL JOINT LOWER - WITH SCREWS AND NUTS M12 KIT</i>	9)
0783145	8200197189	BRACCIO OSCILLANTE - CON VITI SNODO M12 <i>COMPLETE TRACK CONTROL ARM SCREWS M12</i>	9)
0793145	8200197181	BRACCIO OSCILLANTE - CON VITI SNODO M12 <i>COMPLETE TRACK CONTROL ARM SCREWS M12</i>	9)
0901340	7700799404	STABILIZZATORE <i>STABILIZER LINK</i>	10)
1214028	7700835929	GOMMINO BARRA STABILIZZATRICE <i>RUBBER RING STABILIZING BAR</i>	
1214101	7700785788	SILENTBLOCK BARRA STABILIZZATRICE <i>STABILIZING BAR BUSHING</i>	DIAM. 23 mm.
1214102	7700784171	SILENTBLOCK BARRA STABILIZZATRICE <i>STABILIZING BAR BUSHING</i>	DIAM. 24 mm.
1215313	7700424399	SILENTBLOCK <i>BUSHING</i>	

DESTRO
RIGHT

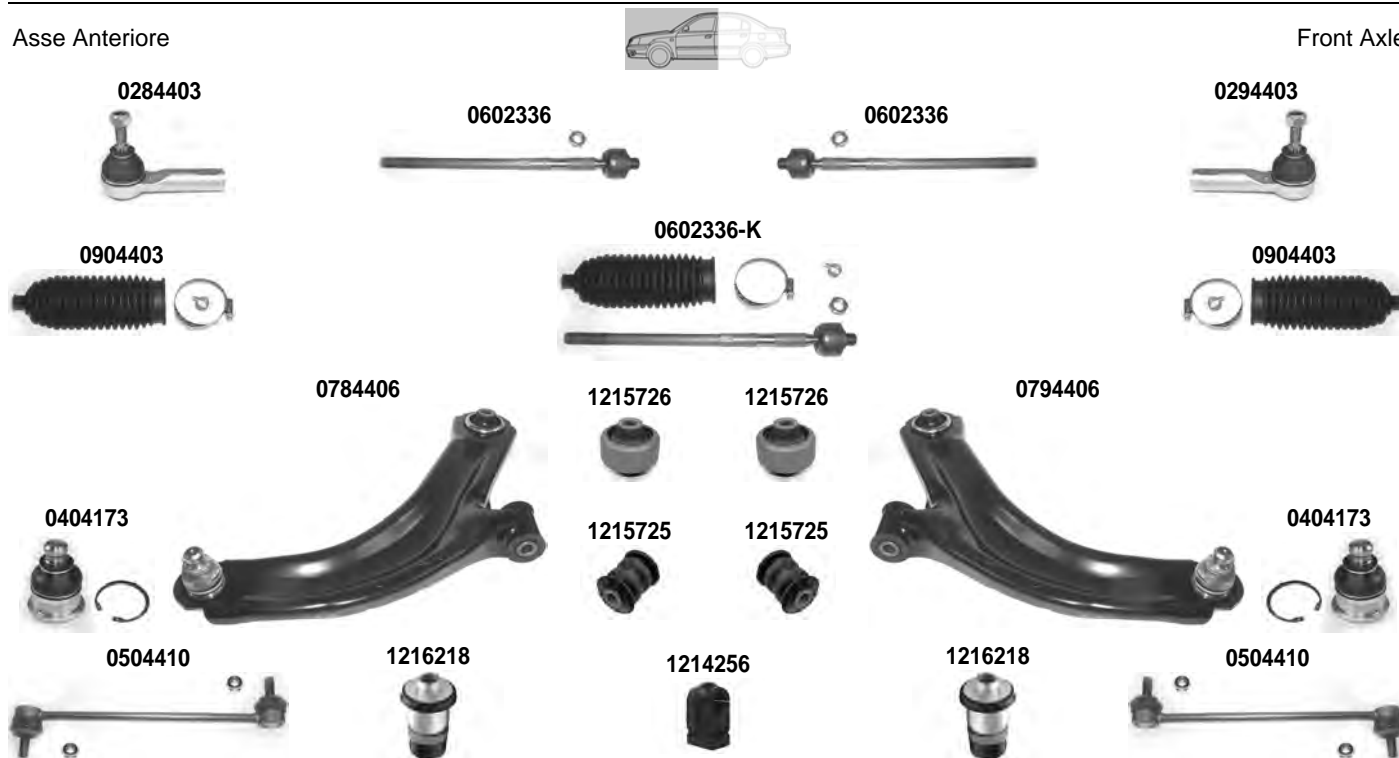


SINISTRO
LEFT

CLIO MODUS GRAND MODUS	III F/JP0 F/JP1	2005 > 2004 > 10/2007 >
------------------------------	-----------------------	-------------------------------

Asse Anteriore

Front Axle



i 1) SOLO PER - ONLY FOR CLIO

OCAP	O.E.		i	
0284403	7701475843	TESTA STERZO TIE ROD END		RHT M14x1,5
0294403	7701475842	TESTA STERZO TIE ROD END		RHT M14x1,5
0404173	401604793R	SNODO SOSPENSIONE TRACK CONTROL ARM		
0504410	8200127308	STABILIZZATORE STABILIZER LINK		
0602336	7701475841 *	SNODO ASSIALE AXIAL JOINT		RHT M14x1,5
0784406	8200615058	BRACCIO OSCILLANTE TRACK CONTROL ARM		
0794406	8200615057	BRACCIO OSCILLANTE TRACK CONTROL ARM		
0904403	7701475840	KIT CUFFIA STERZO STEERING GAITER KIT		
1214256	7701056678	SILENTBLOCK BARRA STABILIZZATRICE STABILIZING BAR BUSHING	1)	DIAM. 19.5 mm.
1215725	8200615058 **	SILENTBLOCK CENTRALE CENTRAL BUSHING		
1215726	8200041166	SILENTBLOCK ESTREMO EXTREME BUSHING		
1216218	8200742906	SILENTBLOCK ASSE AXLE BUSHING		
0602336-K	7701475841	KIT SNODO ASSIALE AXIAL JOINT KIT		

DESTRO
RIGHT

 SINISTRO
LEFT

 CLIO
CLIO GRANDTOUR

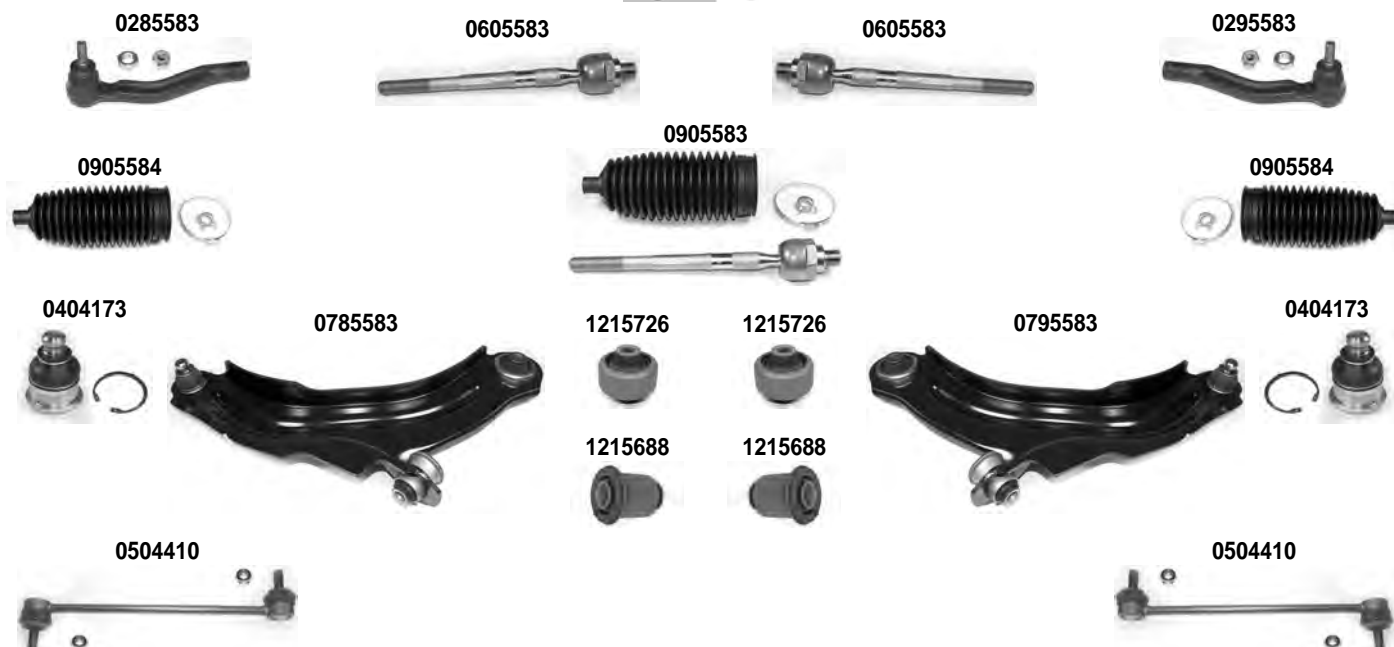
 IV
IV

 11/2012 >
01/2013 >

Asse Anteriore



Front Axle



OCAP	O.E.			
0285583	48520-8355R	TESTA STERZO TIE ROD END		RHT M14x1,5
0295583	48520-0368R	TESTA STERZO TIE ROD END		RHT M14x1,5
0404173	401604793R	SNODO SOSPENSIONE - INFERIORE BALL JOINT - LOWER		
0504410	55110-7916R	STABILIZZATORE STABILIZER LINK		
0605583	48521-1071R *	SNODO ASSIALE AXIAL JOINT		RHT M14x1,5
0785583	54504-6817R	BRACCIO OSCILLANTE - INFERIORE TRACK CONTROL ARM - LOWER		
0795583	54505-5711R	BRACCIO OSCILLANTE - INFERIORE TRACK CONTROL ARM - LOWER		
0905583	48521-1071R	KIT SNODO ASSIALE AXIAL JOINT KIT		RHT M14x1,5
0905584	48203-0586R	KIT CUFFIA STERZO STEERING GAITER KIT		
1215688	8200242025	SILENTBLOCK CENTRALE CENTRAL BUSHING		
1215726	8200041166	SILENTBLOCK ESTREMO OUTER BUSHING		

DESTRO
RIGHT



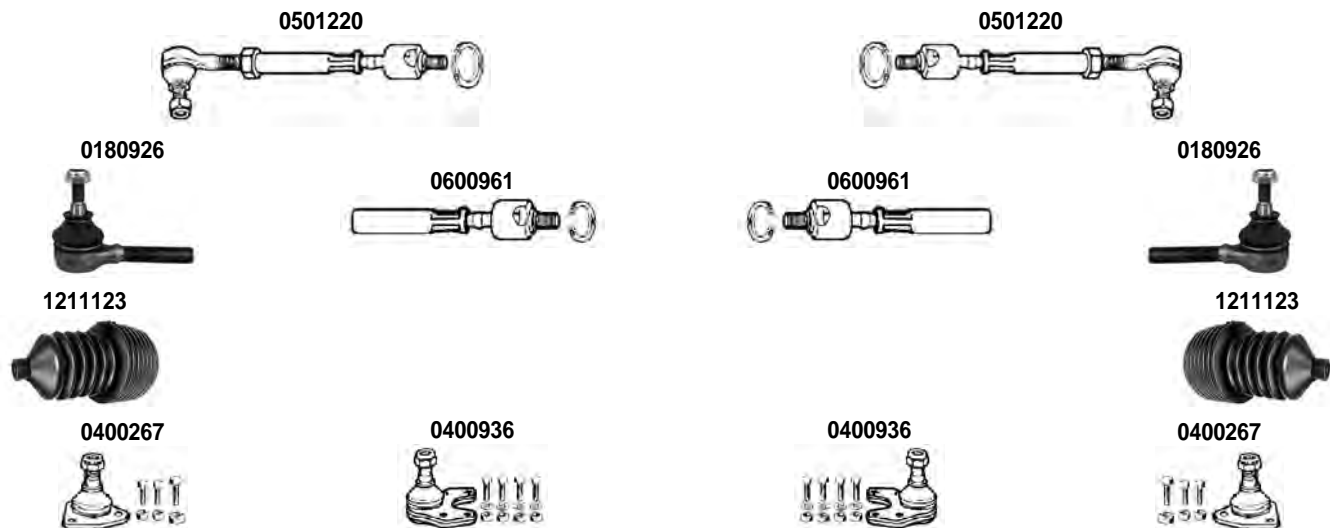
SINISTRO
LEFT

ESPACE		1984 > 1991
--------	--	-------------

Asse Anteriore



Front Axle



i 1) SERVOSTERZO - POWER STEERING

OCAP	O.E.		i	
0180926	7701461141	TESTA STERZO TIE ROD END		RHT M14x1,5
0400267	7701461332	SNODO SOSPENSIONE - SUPERIORE SUSPENSION JOINT - UPPER		
0400936	7701461331	SNODO SOSPENSIONE - INFERIORE SUSPENSION JOINT - LOWER		
0501220	7701463025	BARRA STERZO CON KIT TIE ROD WITH KIT ASSEMBLY		
0600961	-	SNODO ASSIALE - CON KIT AXIAL JOINT WITH KIT ASSEMBLY		RHT M14x1,5
1211123	7700706007	CUFFIA STERZO STEERING GAITER	1)	

DESTRO
RIGHT

 SINISTRO
LEFT

ESPACE

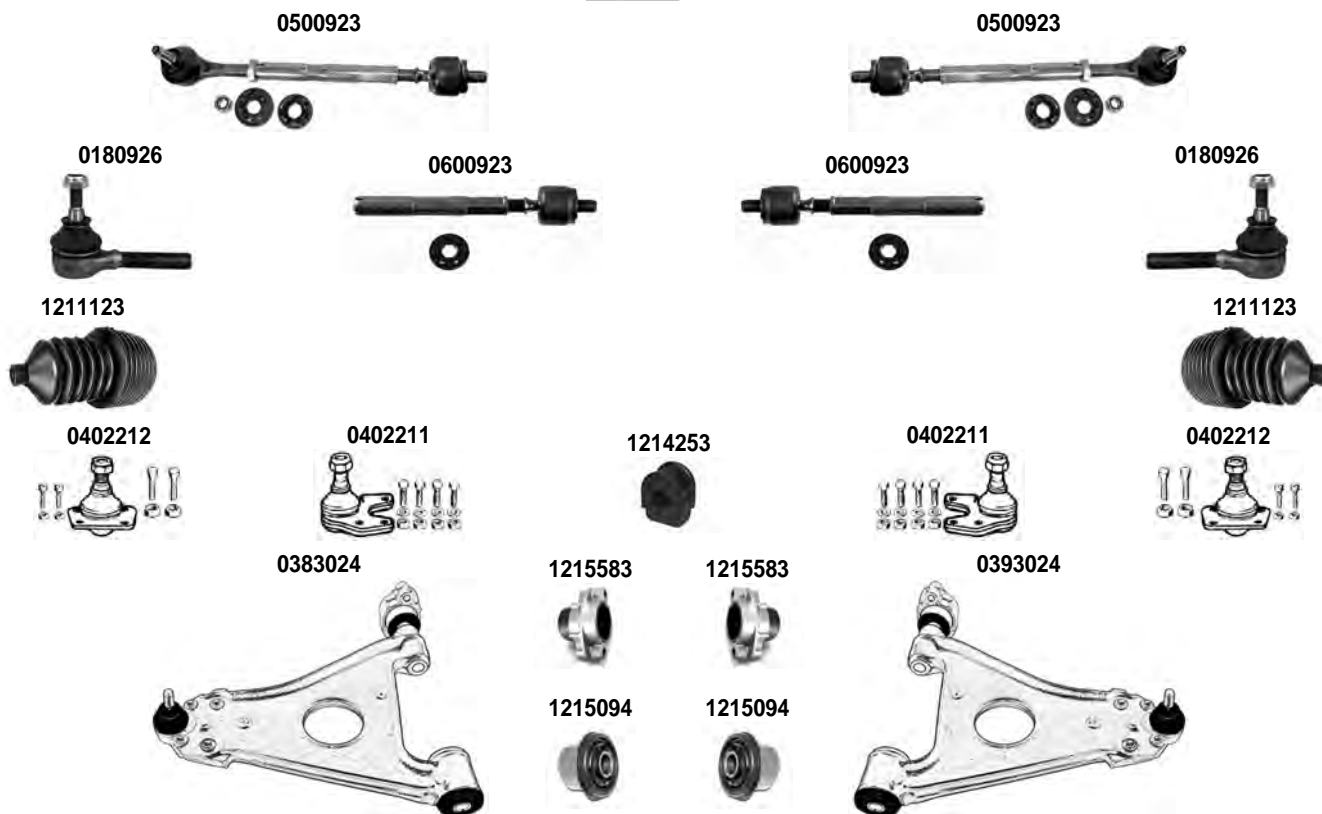
II

1991 > 1997

Asse Anteriore



Front Axle


i 1) SERVOSTERZO - POWER STEERING

OCAP	O.E.		i	
0180926	7701461141	TESTA STERZO TIE ROD END		RHT M14x1,5
0383024	7700802344	BRACCIO OSCILLANTE TRACK CONTROL ARM		
0393024	7700802343	BRACCIO OSCILLANTE TRACK CONTROL ARM		
0402211	7701465689	SNODO SOSPENSIONE - INFERIORE SUSPENSION JOINT - LOWER		
0402212	7701463229	SNODO SOSPENSIONE - SUPERIORE SUSPENSION JOINT - UPPER		
0500923	7701464313	BARRA STERZO CON KIT TIE ROD WITH KIT ASSEMBLY		
0600923	-	SNODO ASSIALE - CON KIT AXIAL JOINT WITH KIT ASSEMBLY		RHT M14x1,5
1211123	7700706007	CUFFIA STERZO STEERING GAITER	1)	
1214253	7700797821	SILENTBLOCK BARRA STABILIZZATRICE STABILIZING BAR BUSHING		DIAM. 22 mm.
1215094	7700781463	SILENTBLOCK BUSHING		
1215583	7700781441	SILENTBLOCK BUSHING		

DESTRO
RIGHT



SINISTRO
LEFT

ESPACE

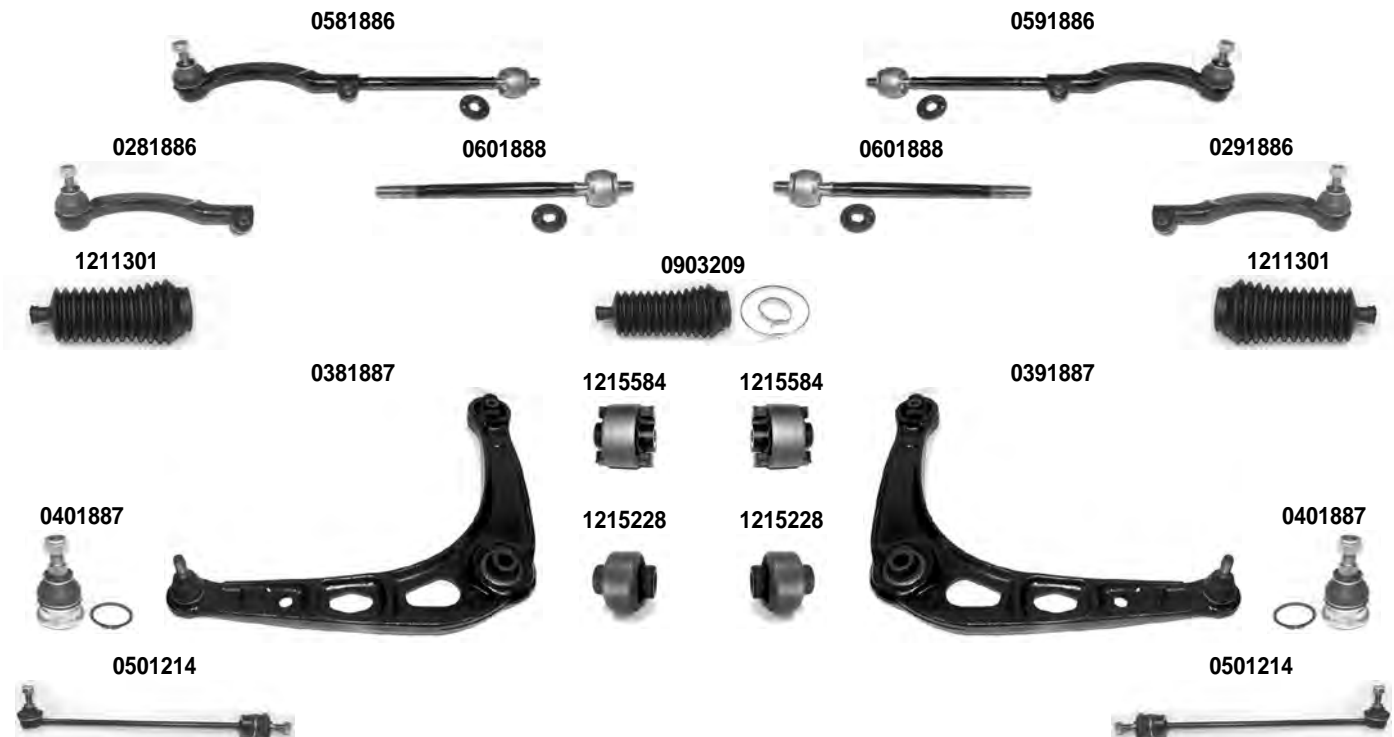


1997 > 2002

Asse Anteriore



Front Axle



OCAP	O.E.			
0281886	6025370230	TESTA STERZO TIE ROD END		
0291886	6025370229	TESTA STERZO TIE ROD END		
0381887	6025307650	BRACCIO OSCILLANTE TRACK CONTROL ARM		
0391887	6025307649	BRACCIO OSCILLANTE TRACK CONTROL ARM		
0401887	6025308155	SNODO SOSPENSIONE BALL JOINT		
0501214	7700805494	STABILIZZATORE STABILIZER LINK		
0581886	6025370494	BARRA STERZO TIE ROD		
0591886	6025370493	BARRA STERZO TIE ROD		
0601888	-	SNODO ASSIALE AXIAL JOINT		
0903209	7701469496	KIT CUFFIE STERZO STEERING GAITER KIT		
1211301	-	CUFFIA STERZO STEERING GAITER		
1215228	7700822503	SILENTBLOCK CENTRALE CENTRAL BUSHING		
1215584	6025311529	SILENTBLOCK ESTREMO OUTER BUSHING		

DESTRO
RIGHT

 SINISTRO
LEFT

ESPACE

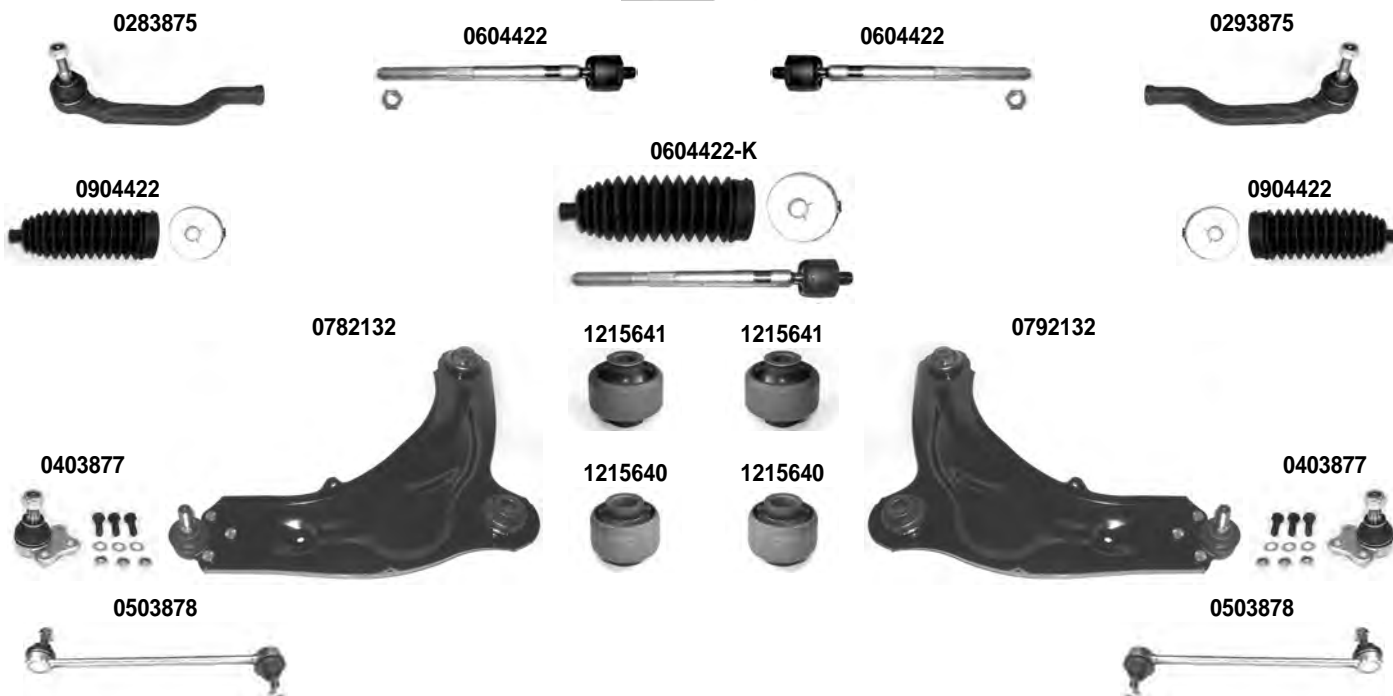
IV

11/2002 >

Asse Anteriore



Front Axle



OCAP	O.E.		
0283875	7701049283	TESTA STERZO TIE ROD END	RHT M14x1,5
0293875	7701049282	TESTA STERZO TIE ROD END	RHT M14x1,5
0403877	7701476576	SNODO SOSPENSIONE BALL JOINT	
0503878	8200002870	STABILIZZATORE STABILIZER LINK	
0604422	-	SNODO ASSIALE AXIAL JOINT	
0782132	8200484811	BRACCIO OSCILLANTE TRACK CONTROL ARM	
0792132	8200484810	BRACCIO OSCILLANTE TRACK CONTROL ARM	
0904422	7701474075	KIT CUFFIA STERZO STEERING GAITER KIT	
1215640	8200002868	SILENTBLOCK CENTRALE CENTRAL BUSHING	DIAM. 18/55 mm.
1215641	8200002869	SILENTBLOCK ESTREMO OUTER BUSHING	DIAM. 15/58 mm.
0604422-K	7701474076	KIT SNODO ASSIALE AXIAL JOINT KIT	

DESTRO
RIGHT



SINISTRO
LEFT

ESPACE TALISMAN TALISMAN GRANTOUR	V	02/2015 > 06/2015 > 03/2016 >
---	---	-------------------------------------

Asse Anteriore



Front Axle



OCAP	O.E.			
0288500	485201340R	TESTA STERZO TIE ROD END		RHT M14x1,5
0298500	485206481R	TESTA STERZO TIE ROD END		RHT M14x1,5
0388680	545047275R	BRACCIO OSCILLANTE TRACK CONTROL ARM		
0398680	545050303R	BRACCIO OSCILLANTE TRACK CONTROL ARM		
0408503	545049671R *	SNODO SOSPENSIONE - INFERIORE BALL JOINT - LOWER		
0508505	546187005R	STABILIZZATORE - ACCIAIO STABILIZER LINK - STEEL		
0508682	546187005R *	STABILIZZATORE - ALLUMINIO STABILIZER LINK - ALUMINIUM		
0608680	485212309R	SNODO ASSIALE AXIAL JOINT		RHT M14x1,5
1216326	545605275R	SILENTBLOCK CENTRALE CENTRAL BUSHING		
1216328	545609807R	SILENTBLOCK ESTREMO OUTER BUSHING		

DESTRO
RIGHT



SINISTRO
LEFT

FLUENCE

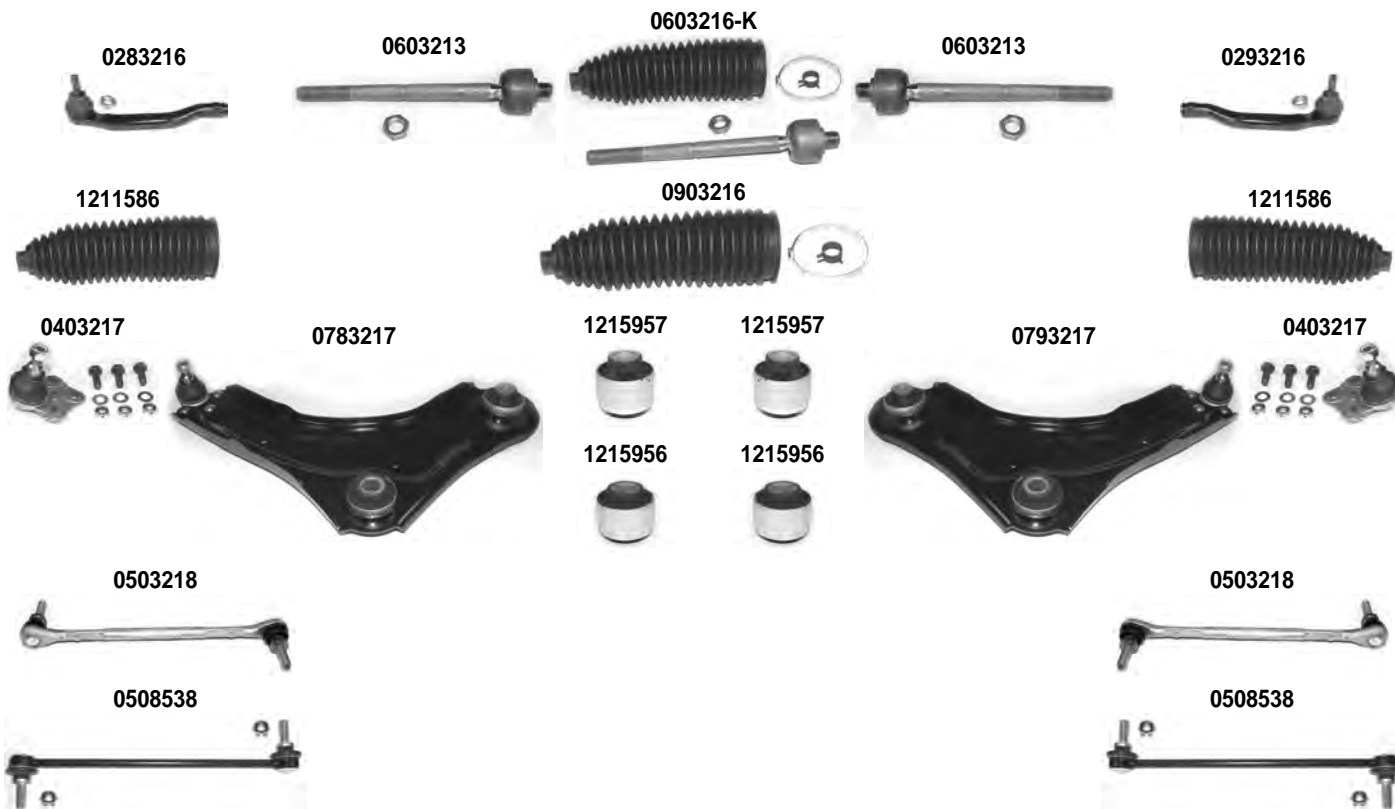
L30_

02/2010 >

Asse Anteriore



Front Axle



i 1) VERSIONE IN ALLUMINIO - ALUMINIUM VERSION 2) VERSIONE IN ACCIAIO - STEEL VERSION

OCAP	O.E.		i	
0283216	485204680R	TESTA STERZO TIE ROD END		RHT M14x1,5
0293216	485204710R	TESTA STERZO TIE ROD END		RHT M14x1,5
0403217	545009207R *	SNODO SOSPENSIONE - INFERIORE - CON KIT BALL JOINT - LOWER - WITH KIT		
0503218	546180002R	STABILIZZATORE STABILIZER LINK	1)	
0508538	546180002R *	STABILIZZATORE STABILIZER LINK	2)	
0603213	7701478406 *	SNODO ASSIALE AXIAL JOINT		RHT M14x1,5
0783217	545009207R	BRACCIO OSCILLANTE - INFERIORE TRACK CONTROL ARM - LOWER		
0793217	545014055R	BRACCIO OSCILLANTE - INFERIORE TRACK CONTROL ARM - LOWER		
0903216	482036715R	KIT CUFFIE STERZO STEERING GAITER KIT		
1211586	482036715R *	CUFFIA STERZO STEERING BOOT		
1215956	545014055R	SILENTBLOCK CENTRALE CENTRAL BUSHING		
1215957	545600004R	SILENTBLOCK ESTREMO OUTER BUSHING		
0603216-K	485215612R	KIT SNODO ASSIALE AXIAL JOINT KIT		RHT M14x1,5

DESTRO
RIGHT



SINISTRO
LEFT

KADJAR	06/2015 >
--------	-----------

Asse Anteriore



Front Axle



OCAP	O.E.		
0285783	D8520-4EA0A	TESTA STERZO TIE ROD END	RHT M14X1,5
0295783	D8640-4EA0A	TESTA STERZO TIE ROD END	RHT M14X1,5
0403124	40160-9W200	SNODO SOSPENSIONE INFERIORE SUSPENSION JOINT - LOWER	
0508071	54618-CY00A	STABILIZZATORE STABILIZER LINK	
0605783	48001-4EH0A *	SNODO ASSIALE AXIAL JOINT	RHT M14X1,5
0785783	54500-4EA0B	BRACCIO OSCILLANTE - INFERIORE TRACK CONTROL ARM - LOWER	
0795783	54501-4EA0B	BRACCIO OSCILLANTE - INFERIORE TRACK CONTROL ARM - LOWER	
1216285	54500-4EA0B *	SILENTBLOCK - CENTRALE CENTRAL BUSHING	
1216286	54501-4EA0B *	SILENTBLOCK - ESTREMO OUTER BUSHING	

DESTRO
RIGHT

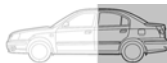


SINISTRO
LEFT

KADJAR

06/2015 >

Asse Posteriore



Rear Axle

1216287

0385788

1216287

1216287

0395788

1216287



1216288

0785791

1216288

1216288

0795791

1216288






0584633



0594633



OCAP	O.E.			
0385788	55120-JD00B	BRACCIO OSCILLANTE - SUPERIORE - ALLUMINIO TRACK CONTROL ARM - UPPER - ALUMINIUM		
0395788	55121-JD00B	BRACCIO OSCILLANTE - SUPERIORE - ALLUMINIO TRACK CONTROL ARM - UPPER - ALUMINIUM		
0584633	55618-JD00A	STABILIZZATORE STABILIZER LINK		
0594633	55619-JD00A	STABILIZZATORE STABILIZER LINK		
0785791	55110-JD000	BRACCIO OSCILLANTE - INFERIORE TRACK CONTROL ARM - LOWER		
0795791	55111-JD00A	BRACCIO OSCILLANTE - INFERIORE TRACK CONTROL ARM - LOWER		
1216287	55120-JD00B *	SILENTBLOCK BUSHING		
1216288	55110-JD000 *	SILENTBLOCK BUSHING		

DESTRO
RIGHT



SINISTRO
LEFT

KANGOO KANGOO RAPID	KCO/1 FCO/1	08/1997 > 2008 08/1997 > 2008
------------------------	----------------	----------------------------------

Asse Anteriore



Front Axle



i 1) > 03/1999 3) SERVOSTERZO - POWER STEERING	2) STERZO MANUALE - MANUAL STEERING
--	--

OCAP	O.E.		i	
0283205	7701470766	TESTA STERZO TIE ROD END	1)	RHT M14x1,5
0293205	7701470765	TESTA STERZO TIE ROD END	1)	RHT M14x1,5
0603209	7701469502 *	SNODO ASSIALE AXIAL JOINT	1) 3)	RHT M14x1,5
0604202	7701470763 *	SNODO ASSIALE AXIAL JOINT	1) 2)	
0903209	7701469496	KIT CUFFIE STERZO STEERING GAITER KIT	3)	
1211126	7700678649	CUFFIA STERZO STEERING GAITER	2)	
1211301	7701469496 *	CUFFIA STERZO STEERING GAITER	3)	
0603209-K	7701469502	KIT SNODO ASSIALE CON CUFFIA AXIAL JOINT KIT WITH STEERING GAITER	1) 3)	
0604202-K	7701470763	KIT SNODO ASSIALE CON CUFFIA AXIAL JOINT KIT WITH STEERING GAITER	1) 2)	

DESTRO
RIGHT



SINISTRO
LEFT

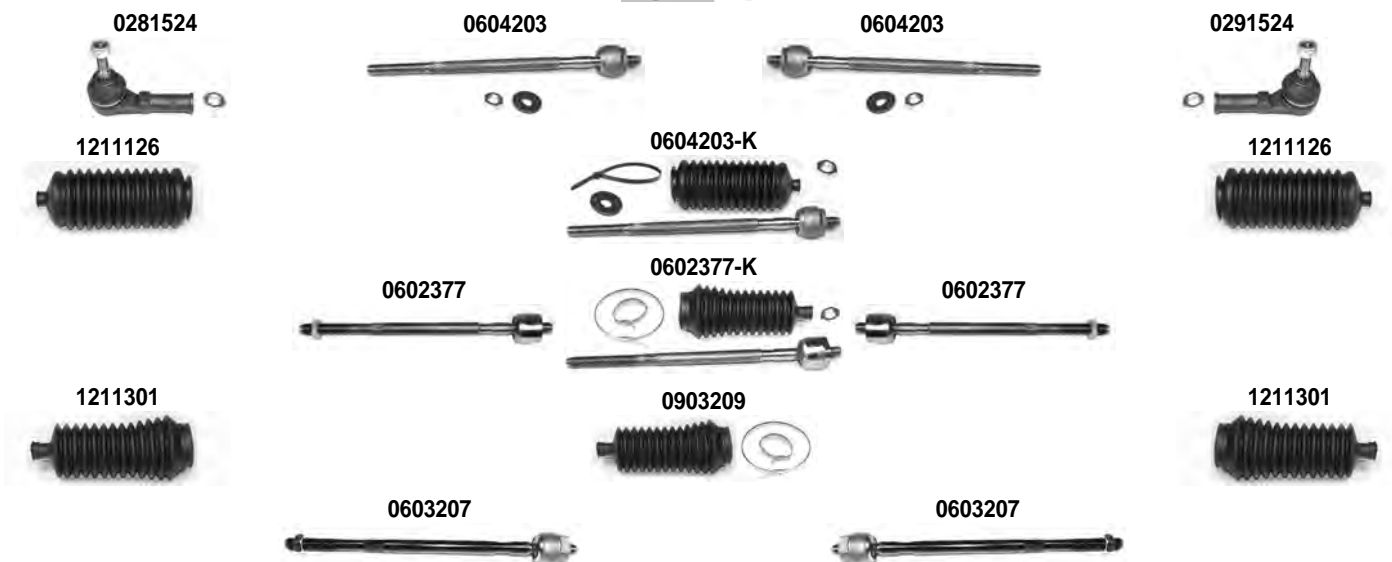
KANGOO
KANGOO RAPID

KCO/1
FCO/1

08/1997 > 2008
08/1997 > 2008

Asse Anteriore

Front Axle



i	2) STERZO MANUALE - MANUAL STEERING	3) SERVOSTERZO - POWER STEERING 5) SCATOLA STERZO - STEERING BOX - SMI
	4) 04/1999 >	
	9) MOD. 4x4	

OCAP	O.E.		i	
0281524	7701474493	TESTA STERZO TIE ROD END	4)	RHT M14x1,5
0291524	7701474492	TESTA STERZO TIE ROD END	4)	RHT M14x1,5
0602377	7701472120 *	SNODO ASSIALE AXIAL JOINT	3) 4) 5)	
0603207	7701473656	SNODO ASSIALE AXIAL JOINT	9)	L = 334 mm.
0604203	7701472113 *	SNODO ASSIALE AXIAL JOINT	2) 4)	
0903209	7701469496	KIT CUFFIE STERZO STEERING GAITER KIT	3)	
1211126	7700678649	CUFFIA STERZO STEERING GAITER	2)	
1211301	7701469496 *	CUFFIA STERZO STEERING GAITER	3)	
0602377-K	7701472120	KIT SNODO ASSIALE CON CUFFIA AXIAL JOINT KIT WITH STEERING GAITER	3) 4) 5)	
0604203-K	7701472113	KIT SNODO ASSIALE CON CUFFIA AXIAL JOINT KIT WITH STEERING GAITER	2) 4)	

DESTRO
RIGHT



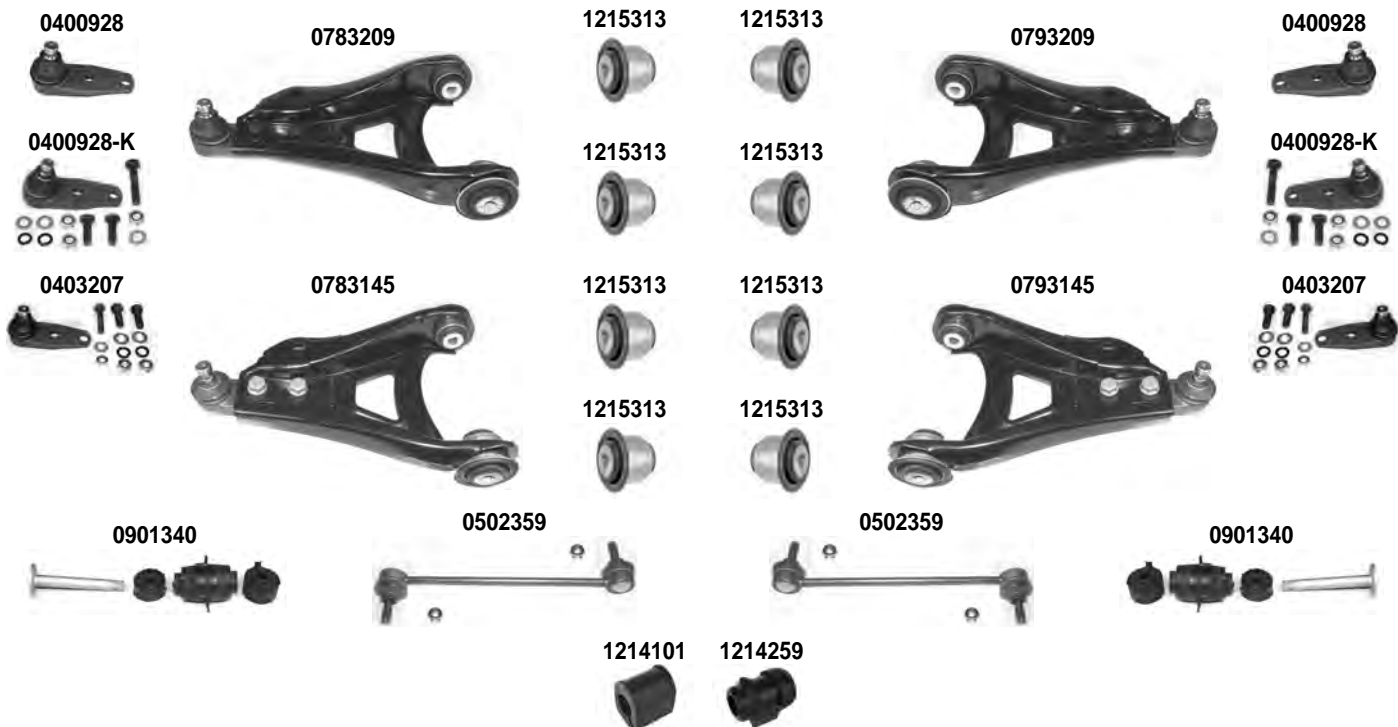
SINISTRO
LEFT

KANGOO KANGOO RAPID	KCO/1 FCO/1	08/1997 > 2008 08/1997 > 2008
------------------------	----------------	----------------------------------

Asse Anteriore



Front Axle



<p>i 6) NUOVA VERSIONE - NEW VERSION 8) SOLO PER - ONLY FOR - 4X4 11) CON KIT VITI E DADI M12 - WITH SCREW AND NUTS KIT M12</p>	<p>7) ECCEPPO - EXCEPT 4X4 10) CON KIT VITI E DADI M10 - WITH SCREWS AND NUTS KIT M10</p>
--	---

OCAP	O.E.		i	
0400928	7701462182	SNODO SOSPENSIONE - INFERIORE BALL JOINT - LOWER		
0403207	7701468411	SNODO SOSPENSIONE INFERIOR BALL JOINT - LOWER	6) 11)	
0502359	7700437136	STABILIZZATORE STABILIZER LINK	8)	
0783145	8200197189	BRACCIO OSCILLANTE - INFERIORE TRACK CONTROL ARM	6) 11)	
0783209	8200197187	BRACCIO OSCILLANTE - INFERIORE TRACK CONTROL ARM	10)	
0793145	8200197181	BRACCIO OSCILLANTE - INFERIORE TRACK CONTROL ARM	6) 11)	
0793209	8200197179	BRACCIO OSCILLANTE - INFERIORE TRACK CONTROL ARM	10)	
0901340	7700799404	STABILIZZATORE STABILIZER LINK	7)	
1214101	7700785788	SILENTBLOCK BARRA STABILIZZATRICE STABILIZING BAR BUSHING		DIAM. 23 mm.
1214259	7700314855	SILENTBLOCK BARRA STABILIZZATRICE STABILIZING BAR BUSHING		DIAM. 23 mm.
1215313	7700424399	SILENTBLOCK BUSHING		
0400928-K	7701462182 *	SNODO SOSPENSIONE INFERIORE BALL JOINT LOWER	10)	

DESTRO
RIGHT

 SINISTRO
LEFT

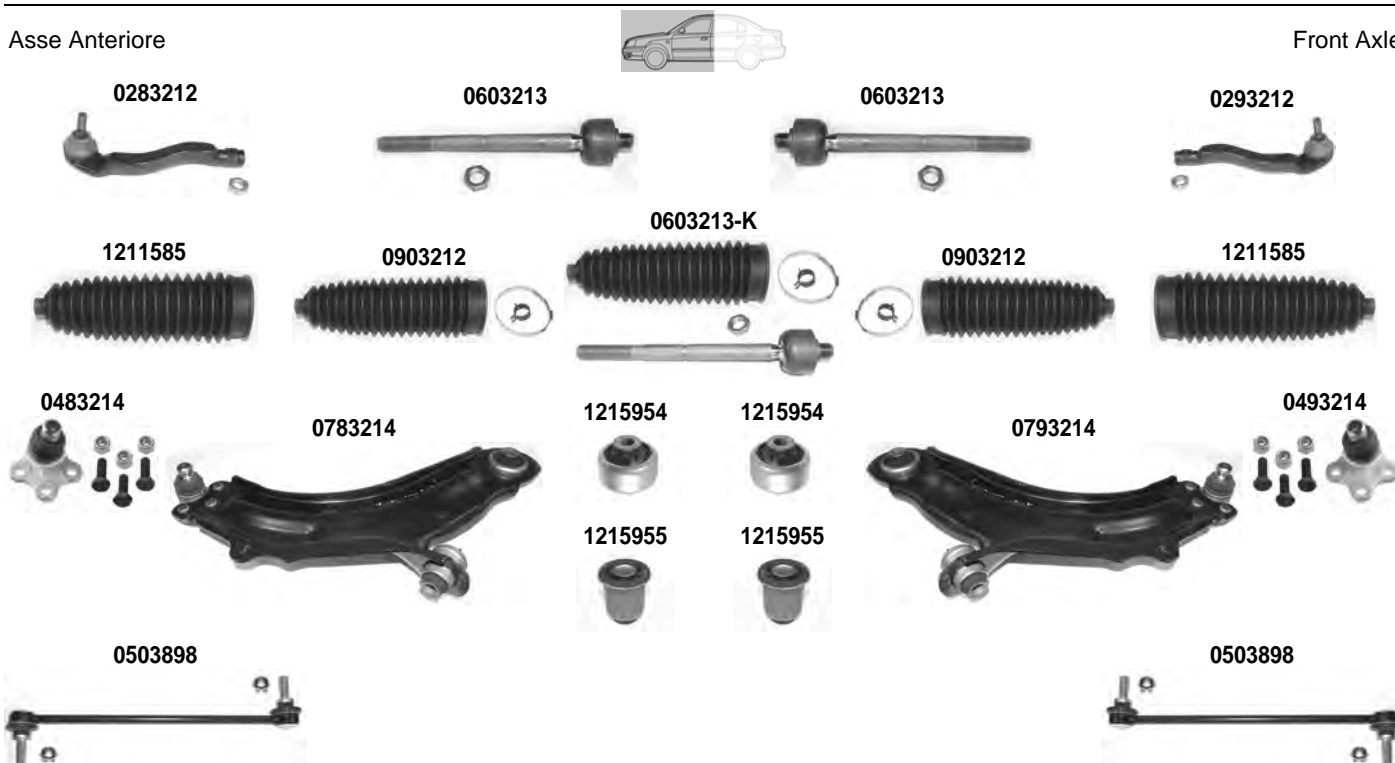
 KANGOO / GRAND KANGOO
KANGOO BE BOP
KANGOO EXPRESS

 KW0/1
KW0/1
FW0/1

 02/2008 >
02/2009 >
02/2008 >

Asse Anteriore

Front Axle



OCAP	O.E.			
0283212	7701478408	TESTA STERZO TIE ROD END		RHT M14x1,5
0293212	7701478407	TESTA STERZO TIE ROD END		RHT M14x1,5
0483214	8200586567 *	SNODO SOSPENSIONE - INFERIORE BALL JOINT - LOWER		
0493214	8200586561 *	SNODO SOSPENSIONE - INFERIORE BALL JOINT - LOWER		
0503898	8200166159	STABILIZZATORE STABILIZER LINK		
0603213	7701478406 *	SNODO ASSIALE AXIAL JOINT		RHT M14x1,5
0783214	8200586567	BRACCIO OSCILLANTE - INFERIORE TRACK CONTROL ARM - LOWER		
0793214	8200586561	BRACCIO OSCILLANTE - INFERIORE TRACK CONTROL ARM - LOWER		
0903212	7701478400	KIT CUFFIE STERZO STEERING GAITER KIT		
1211585	7701478400 *	CUFFIA STERZO STEERING GAITER		
1215954	8200586561 **	SILENTBLOCK ESTREMO OUTER BUSHING		
1215955	8200586567 **	SILENTBLOCK CENTRALE CENTRAL BUSHING		
0603213-K	7701478406	KIT SNODO ASSIALE AXIAL JOINT KIT		RHT M14x1,5

DESTRO
RIGHT



SINISTRO
LEFT

KOLEOS

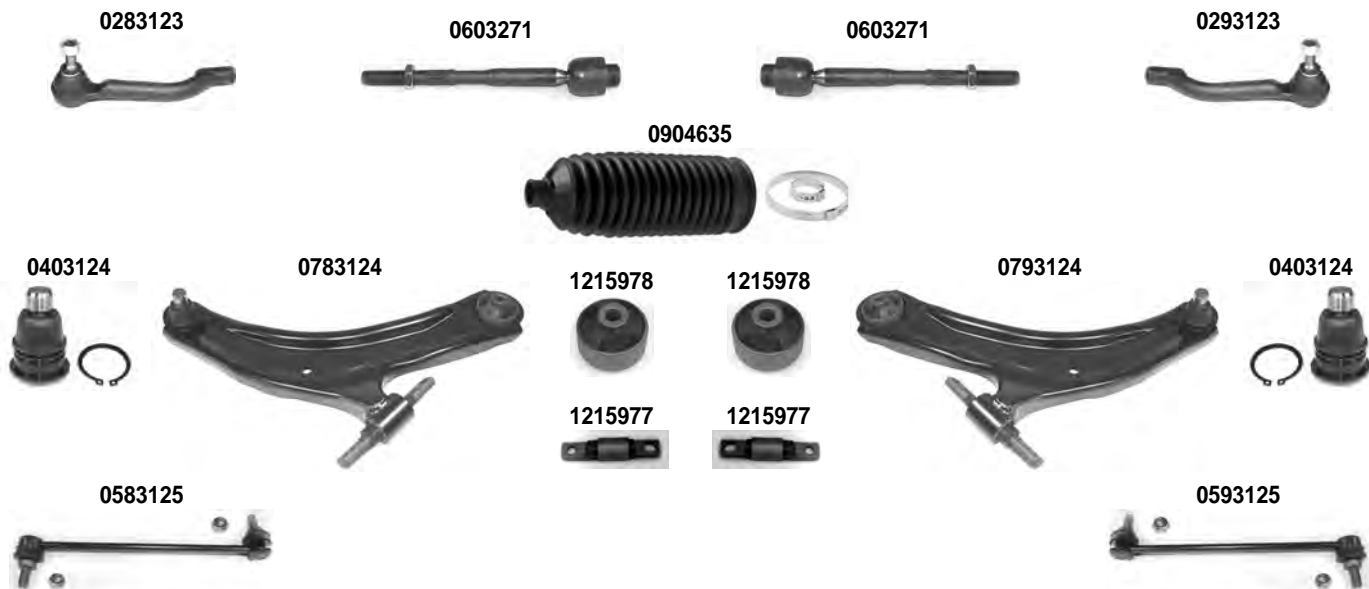
HY

09/2008 >

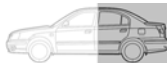
Asse Anteriore



Front Axle



Asse Posteriore



Rear Axle



OCAP	O.E.			
0283123	D8520-JY00A	TESTA STERZO TIE ROD END		RHT M14x1,5
0293123	D8640-JY00A	TESTA STERZO TIE ROD END		RHT M14x1,5
0403124	40160-CC40A	SNODO SOSPENSIONE - INFERIORE BALL JOINT - LOWER		
0583125	54618-JD00A	STABILIZZATORE STABILIZER LINK		
0584633	55618-JD00A	STABILIZZATORE STABILIZER LINK		
0593125	54668-JD00A	STABILIZZATORE STABILIZER LINK		
0594633	55619-JD00A	STABILIZZATORE STABILIZER LINK		
0603271	D8521-JD00B	SNODO ASSIALE AXIAL JOINT		RHT M14x1,5
0783124	54500-BR30A	BRACCIO OSCILLANTE - INFERIORE TRACK CONTROL ARM - LOWER		
0793124	54501-BR30A	BRACCIO OSCILLANTE - INFERIORE TRACK CONTROL ARM - LOWER		
0904635	48203-JD01A	KIT CUFFIA STERZO STEERING GAITER KIT		
1215977	54500-JD000 **	SILENTBLOCK - CENTRALE CENTRAL BUSHING		
1215978	54570-BB00A	SILENTBLOCK - ESTREMO OUTER BUSHING		

DESTRO
RIGHT



SINISTRO
LEFT

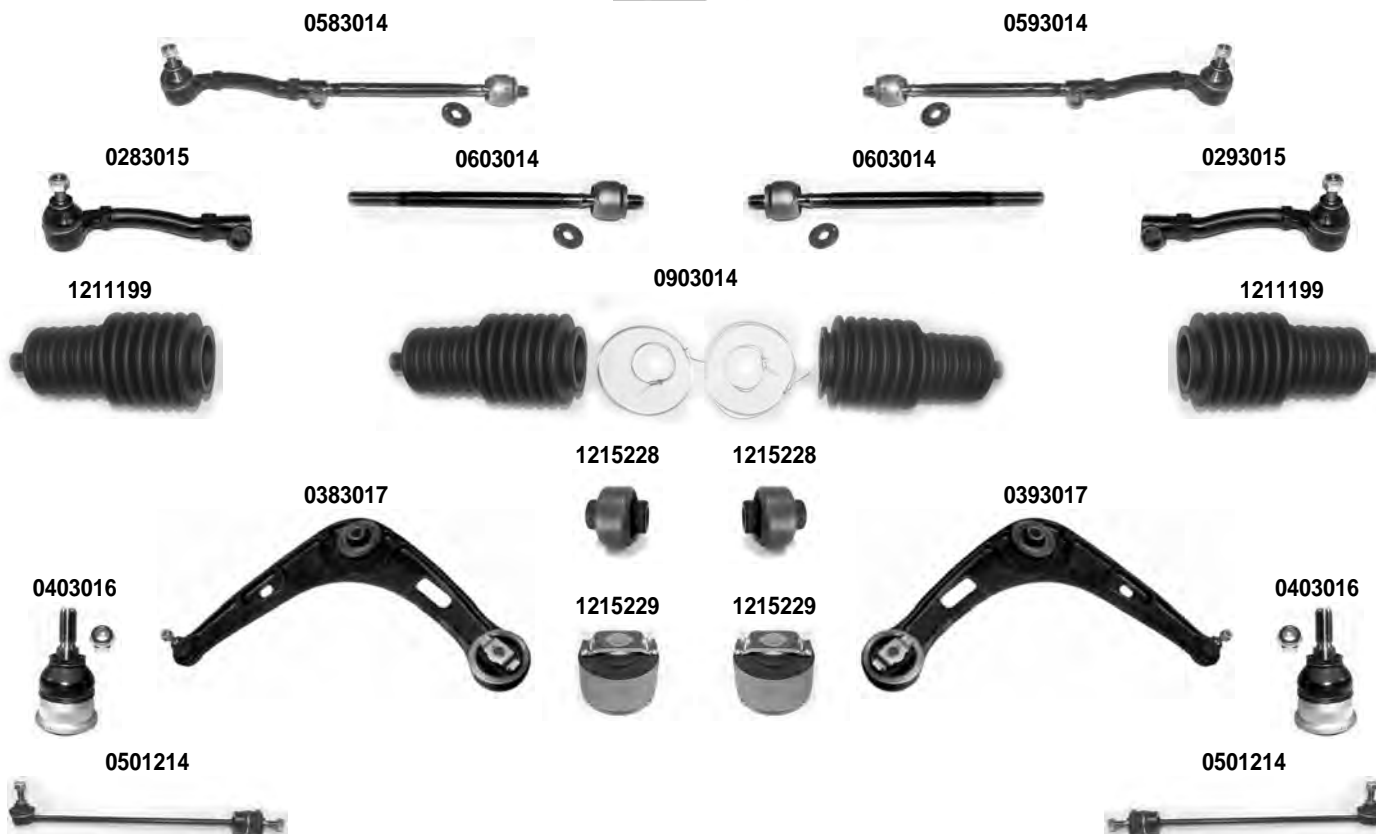
LAGUNA

1994 > 2001

Asse Anteriore



Front Axle



OCAP	O.E.		
0283015	6000022736	TESTA STERZO TIE ROD END	RHT M14x1,5
0293015	6000022737	TESTA STERZO TIE ROD END	RHT M14x1,5
0383017	7700823098	BRACCIO OSCILLANTE TRACK CONTROL ARM	
0393017	7700823097	BRACCIO OSCILLANTE TRACK CONTROL ARM	
0403016	7700829322	SNODO SOSPENSIONE - INFERIORE SUSPENSION JOINT - LOWER	
0501214	7700805494	STABILIZZATORE STABILIZER LINK	
0583014	7701467502	BARRA STERZO TIE ROD	
0593014	7701467501	BARRA STERZO TIE ROD	
0603014	6000022819	SNODO ASSIALE AXIAL JOINT	RHT M14x1,5
0903014	6000025363 *	KIT CUFFIE STERZO STEERING GAITER KIT	
1211199	6000025363	CUFFIA STERZO STEERING GAITER	
1215228	7700822503	SILENTBLOCK CENTRALE CENTRAL BUSHING	
1215229	7700824042	SILENTBLOCK ESTREMO OUTER BUSHING	

DESTRO
RIGHT



SINISTRO
LEFT

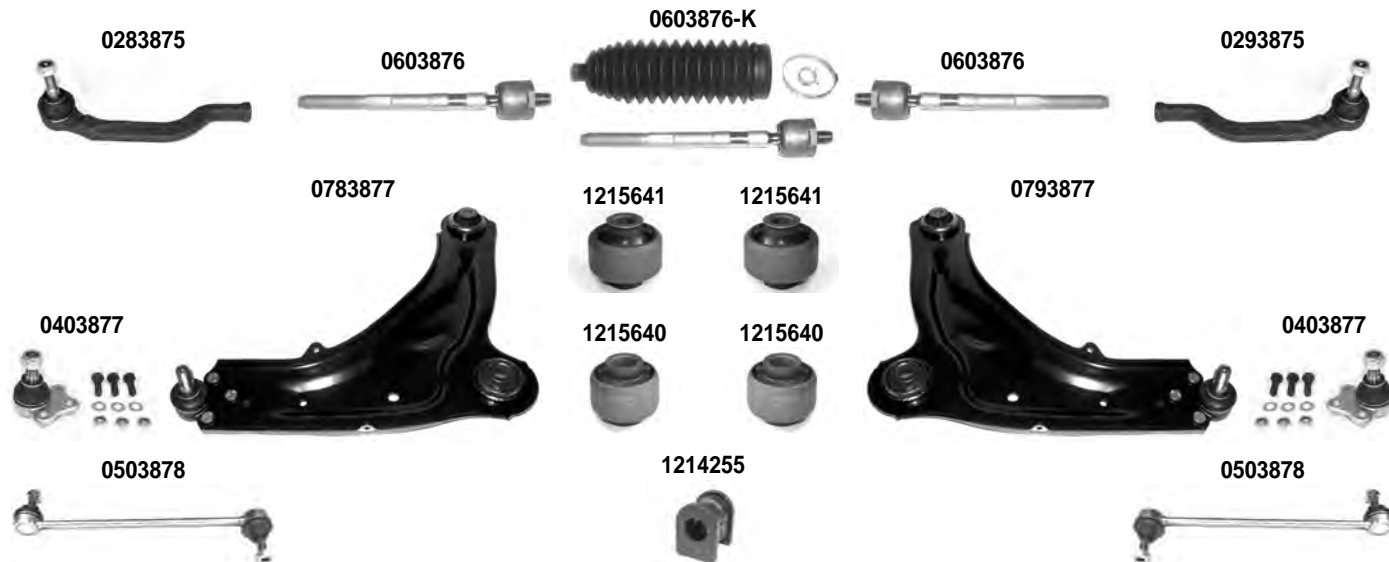
LAGUNA

II

2001 >

Asse Anteriore

Front Axle



OCAP	O.E.		
0283875	7701049283	TESTA STERZO TIE ROD END	RHT M14x1,5
0293875	7701049282	TESTA STERZO TIE ROD END	RHT M14x1,5
0403877	7701476576	SNODO SOSPENSIONE BALL JOINT	
0503878	8200002870	STABILIZZATORE STABILIZER LINK	
0603876	7701472766 *	SNODO ASSIALE AXIAL JOINT	RHT M14x1,5
0783877	8200602613	BRACCIO OSCILLANTE TRACK CONTROL ARM	
0793877	8200602612	BRACCIO OSCILLANTE TRACK CONTROL ARM	
1214255	8200272594	SILENTBLOCK BARRA STABILIZZATRICE STABILIZING BAR BUSHING	DIAM. 19,5 mm.
1215640	8200002868	SILENTBLOCK CENTRALE CENTRAL BUSHING	DIAM. 18/55 mm.
1215641	8200002869	SILENTBLOCK ESTREMO OUTER BUSHING	DIAM. 15/58 mm.
0603876-K	7701472766	KIT SNODO ASSIALE AXIAL JOINT KIT	RHT M14x1,5

DESTRO
RIGHT



SINISTRO
LEFT

LAGUNA

II

2001 >

Asse Posteriore



Rear Axle

1216366






0908841



1216367



OCAP	O.E.			
0908841	7701209534	KIT SILENTBLOCK BUSHING KIT		
1216366	8200714956	SILENTBLOCK BUSHING		
1216367	8200714955	SILENTBLOCK BUSHING		

DESTRO
RIGHT

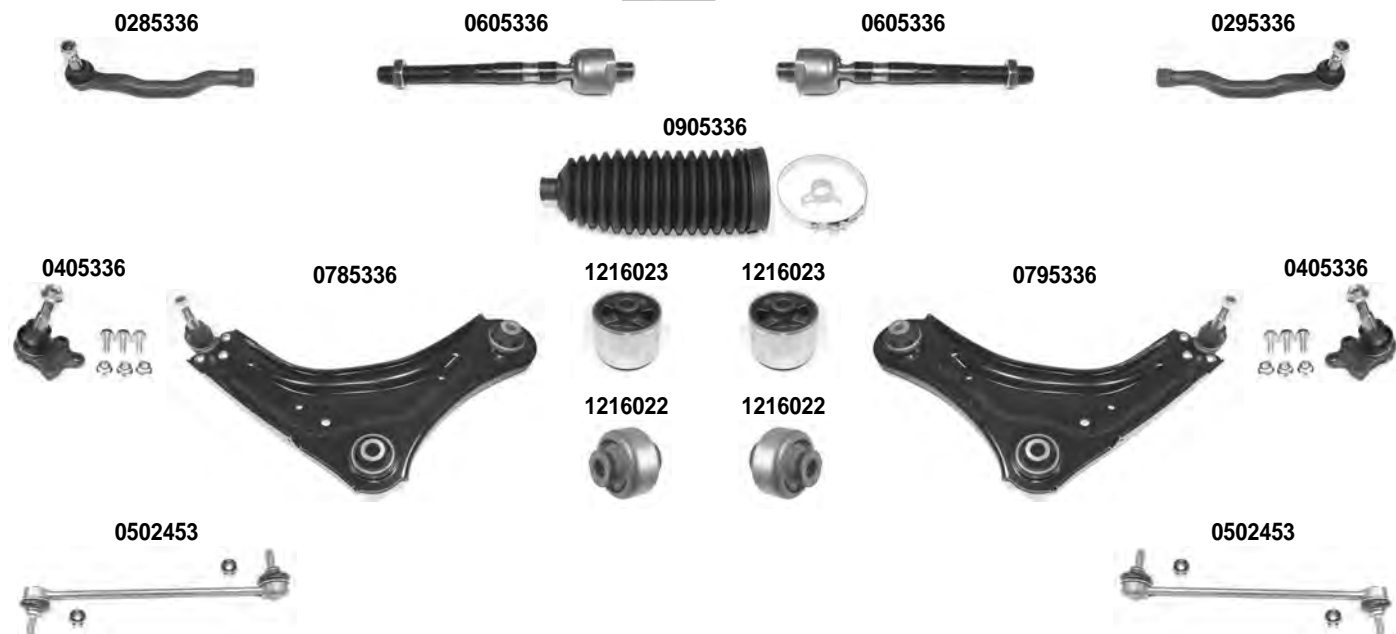


SINISTRO
LEFT

LAGUNA		10/2007 >
--------	--	-----------

Asse Anteriore

Front Axle



OCAP	O.E.		
0285336	485200002R	TESTA STERZO TIE ROD END	RHT M14x1,5
0295336	485200001R	TESTA STERZO TIE ROD END	RHT M14x1,5
0405336	545000011R *	SNODO SOSPENSIONE - INFERIORE SUSPENSION JOINT - LOWER	
0502453	546180001R	STABILIZZATORE STABILIZER LINK	
0605336	485210001R	SNODO ASSIALE AXIAL JOINT	RHT M14x1,5
0785336	545000011R	BRACCIO OSCILLANTE - INFERIORE TRACK CONTROL ARM - LOWER	
0795336	545010012R	BRACCIO OSCILLANTE - INFERIORE TRACK CONTROL ARM - LOWER	
0905336	482030001R	KIT CUFFIA STERZO STEERING GAITER KIT	
1216022	-	SILENTBLOCK CENTRALE CENTRAL BUSHING	
1216023	-	SILENTBLOCK ESTREMO OUTER BUSHING	

DESTRO
RIGHT

 SINISTRO
LEFT

LATITUDE

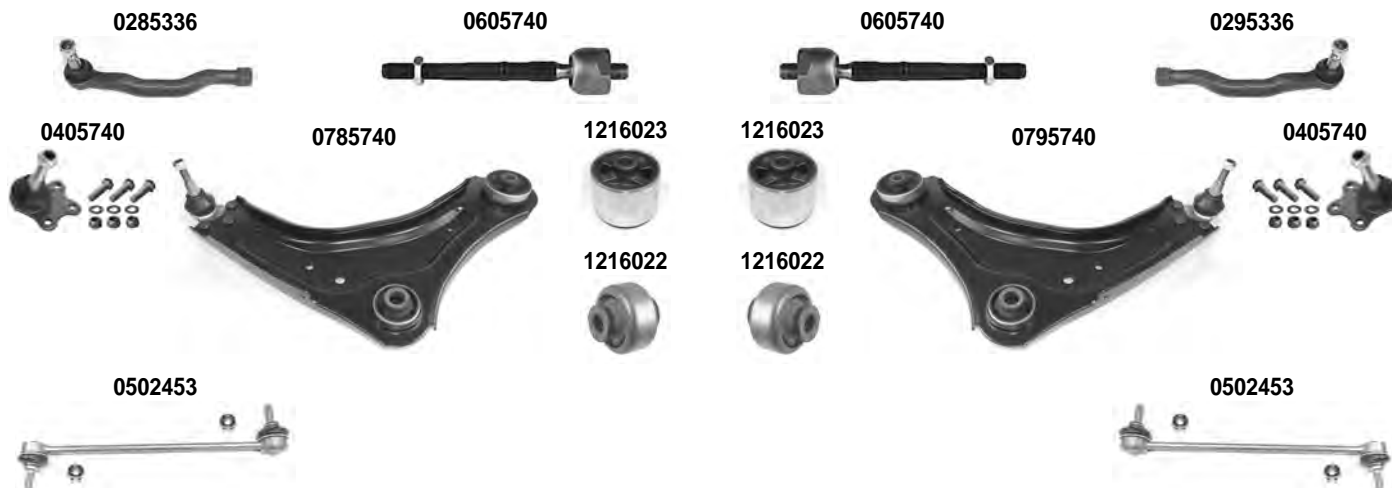
L70_

07/2010 >

Asse Anteriore



Front Axle



Asse Posteriore



Rear Axle



OCAP	O.E.			
0285336	485200002R	TESTA STERZO TIE ROD END		RHT M14x1,5
0295336	485200001R	TESTA STERZO TIE ROD END		RHT M14x1,5
0405740	545000008R *	SNODO SOSPENSIONE - INFERIORE BALL JOINT - LOWER		
0502453	546180001R	STABILIZZATORE STABILIZER LINK		
0585740	551100011R	STABILIZZATORE STABILIZER LINK		
0595740	551100010R	STABILIZZATORE STABILIZER LINK		
0605740	485218799R	SNODO ASSIALE AXIAL JOINT		RHT M14x1,5
0785740	545000008R	BRACCIO OSCILLANTE - INFERIORE TRACK CONTROL ARM - LOWER		
0795740	545010010R	BRACCIO OSCILLANTE - INFERIORE TRACK CONTROL ARM - LOWER		
1216022	-	SILENTBLOCK CENTRALE CENTRAL BUSHING		
1216023	-	SILENTBLOCK ESTREMO OUTER BUSHING		

DESTRO
RIGHT



SINISTRO
LEFT

MASTER		1981 > 1998
---------------	--	-------------

Asse Anteriore



Front Axle

0282240



0282240



0402241



0402242






0402242



0402241



OCAP	O.E.			
0282240	7701462427	TESTA STERZO TIE ROD END		
0402241	7701462692	SNODO SOSPENSIONE SUPERIORE SUSPENSION JOINT - UPPER		
0402242	7701462693	SNODO SOSPENSIONE INFERIORE SUSPENSION JOINT - LOWER		

DESTRO
RIGHT

 SINISTRO
LEFT

MASTER

II

1998 >

Asse Anteriore

Front Axle


i 1) DIAM. PERNO - PIN DIAM. 22 mm - > 09/2007

OCAP	O.E.		i	
0281495	7701470364	TESTA STERZO TIE ROD END		
0291495	7701470363	TESTA STERZO TIE ROD END		
0381494	7700309190	BRACCIO OSCILLANTE - INFERIORE TRACK CONTROL ARM - LOWER	1)	
0391494	7700309189	BRACCIO OSCILLANTE - INFERIORE TRACK CONTROL ARM - LOWER	1)	
0401494	7701056969	SNODO SOSPENSIONE - INFERIORE BALL JOINT - LOWER	1)	
0603811	7701470362 *	SNODO ASSIALE AXIAL JOINT		
0903811	7701470361 *	KIT CUFFIA STERZO STEERING GAITER KIT		
1211392	7701470361	CUFFIA STERZO STEERING GAITER		
1215609	7700302122	SILENTBLOCK CENTRALE CENTRAL BUSHING		
1215610	7700302123	SILENTBLOCK ESTREMO OUTER BUSHING		
0603811-K	7701470362	KIT SNODO ASSIALE AXIAL JOINT KIT		

DESTRO
RIGHT



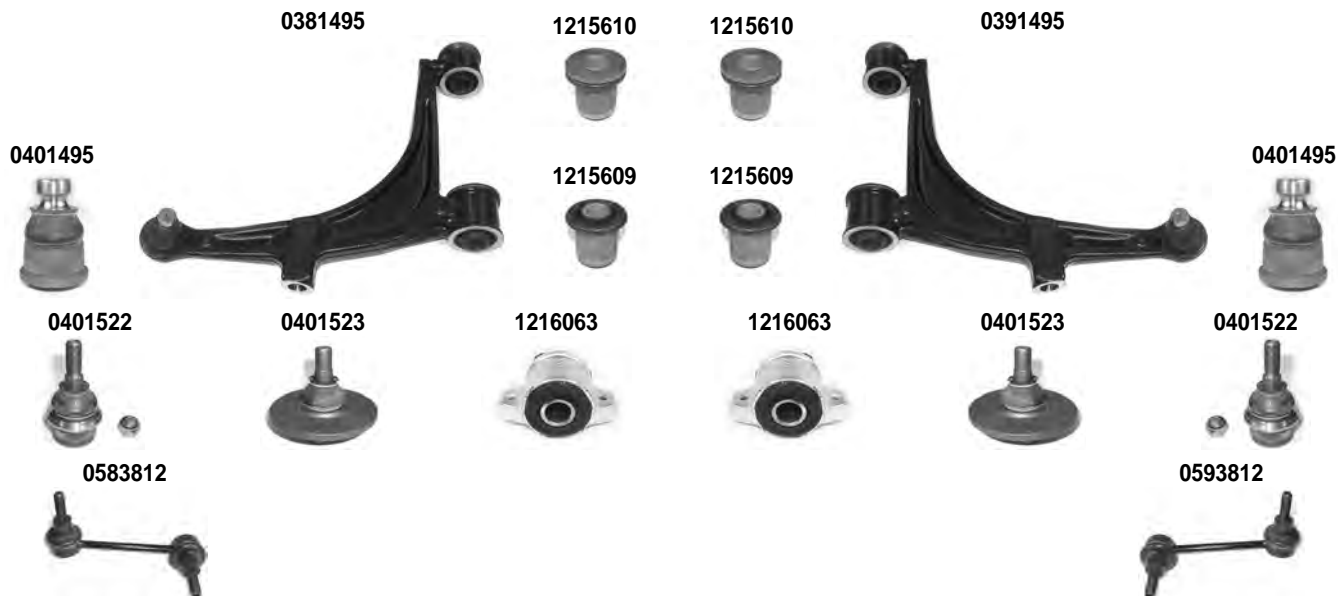
SINISTRO
LEFT

MASTER		1998 >
--------	--	--------

Asse Anteriore



Front Axle



i 2) DIAM. PERNO - PIN DIAM. 24 mm - 10/2007 >

OCAP	O.E.		i	
0381495	8200750274	BRACCIO OSCILLANTE - INFERIORE TRACK CONTROL ARM - LOWER	2)	
0391495	8200750273	BRACCIO OSCILLANTE - INFERIORE TRACK CONTROL ARM - LOWER	2)	
0401495	7701070154	SNODO SOSPENSIONE - INFERIORE BALL JOINT - LOWER	2)	
0401522	7700312851	SNODO SOSPENSIONE BRACCIO SUPERIORE - LATO ESTERNO SUSPENSION JOINT CONTROL ARM UPPER - OUTER SIDE		
0401523	7701056970	SNODO SOSPENSIONE BRACCIO SUPERIORE - LATO INTERNO SUSPENSION JOINT CONTROL ARM UPPER - INNER SIDE		
0583812	7700309071	STABILIZZATORE STABILIZER LINK		
0593812	7700309070	STABILIZZATORE STABILIZER LINK		
1215609	7700302122	SILENTBLOCK CENTRALE CENTRAL BUSHING		
1215610	7700302123	SILENTBLOCK ESTREMO OUTER BUSHING		
1216063	7700302115	SILENTBLOCK - BRACCIO SUPERIORE CONTROL ARM BUSHING - UPPER		

DESTRO
RIGHT



SINISTRO
LEFT

MASTER

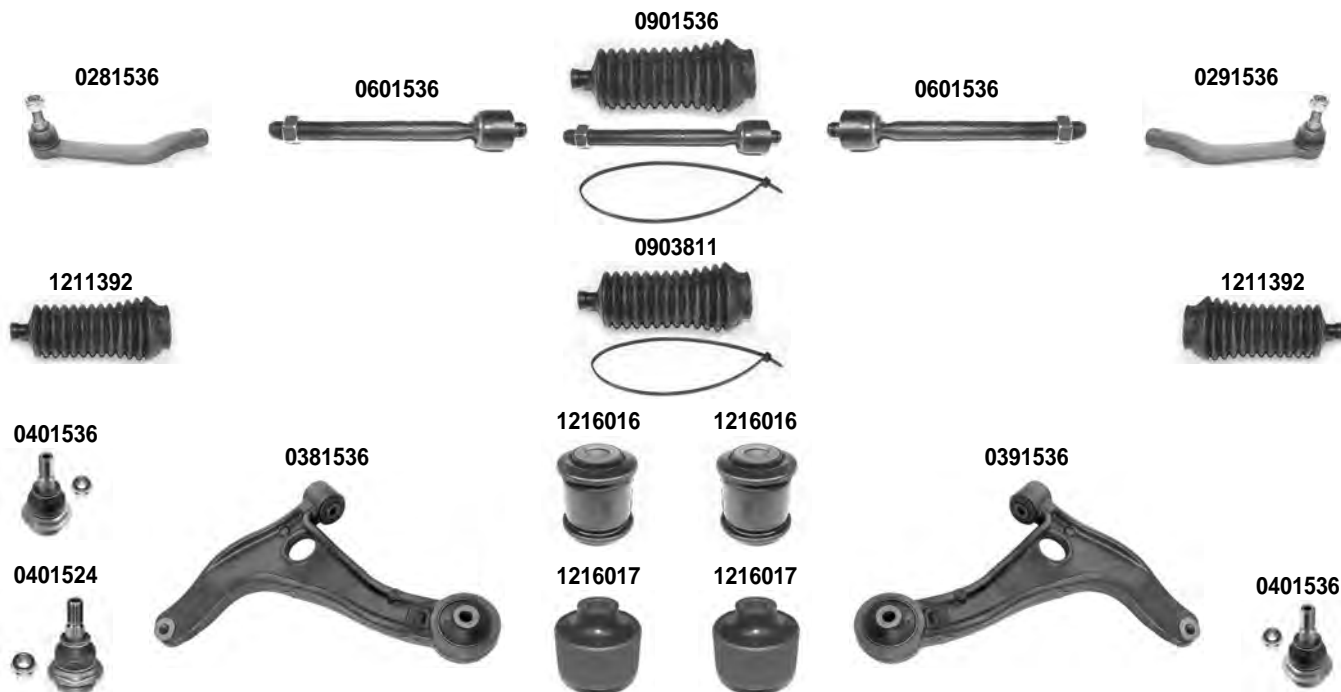
III

02/2010 >

Asse Anteriore



Front Axle



i 1) LATO DX 07/2010 > - RH SIDE 07/2010 >

2) LATO DX-SX > 07/2010 - LATO SX 07/2010 > - RH-LH SIDE > 07/2010 - LH SIDE 07/2010 >

OCAP	O.E.		
0281536	485200780R	TESTA STERZO TIE ROD END	RHT M18x1,5
0291536	485206730R	TESTA STERZO TIE ROD END	RHT M18x1,5
0381536	8200688875	BRACCIO OSCILLANTE - INFERIORE TRACK CONTROL ARM - LOWER	
0391536	8200688871	BRACCIO OSCILLANTE - INFERIORE TRACK CONTROL ARM - LOWER	
0401524	401602379R	SNODO SOSPENSIONE - INFERIORE BALL JOINT - LOWER	1) LHT M45x1,5
0401536	8200688877	SNODO SOSPENSIONE - INFERIORE BALL JOINT - LOWER	2) RHT M45x1,5
0601536	485212373R	SNODO ASSIALE AXIAL JOINT	RHT M18x1,5
0901536	485212373R *	KIT SNODO ASSIALE AXIAL JOINT KIT	RHT M18x1,5
0903811	7701470361 *	KIT CUFFIA STERZO STEERING GAITER KIT	
1211392	7701470361	CUFFIA STERZO STEERING GAITER	
1216016	8200688832 *	SILENTBLOCK CENTRALE CENTRAL BUSHING	
1216017	8200688871 *	SILENTBLOCK ESTREMO OUTER BUSHING	

DESTRO
RIGHT



SINISTRO
LEFT

MASTER		02/2010 >
---------------	--	-----------

Asse Anteriore



Front Axle

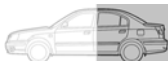
0501536



0501536



Asse Posteriore



Rear Axle

0501496



0501496



0508881



0508881



i 3) ECCEP TO RUOTE GEMELLATE - EXCLUDED TWIN WHEELS	4) CON RUOTE GEMELLATE - WITH TWIN WHEELS
---	--

OCAP	O.E.		i	
0501496	551100019R	STABILIZZATORE STABILIZER LINK	3)	L = 106 mm.
0501536	546180004R	STABILIZZATORE STABILIZER LINK		
0508881	551100020R	STABILIZZATORE STABILIZER LINK	4)	L = 166 mm.

DESTRO
RIGHT

 SINISTRO
LEFT

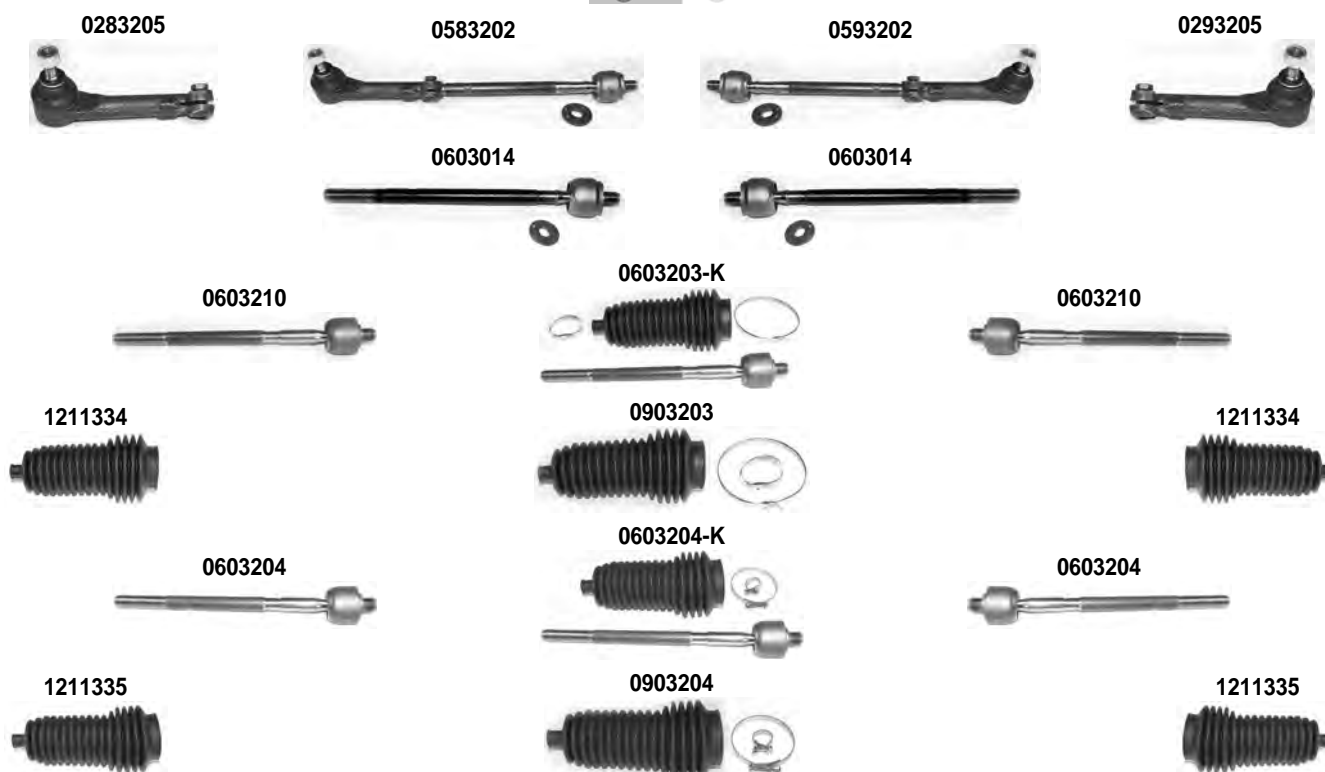
 MEGANE
MEGANE CLASSIC - SCENIC
MEGANE SW

 1995 > 2002
1996 > 2003
1999 > 2003

Asse Anteriore



Front Axle



i	1) SCATOLA GUIDA - STEERING BOX - TRW	2) > 02/1999	12) SERVOSTERZO - POWER STEERING
	3) MOD. 2.0 16V		
	13) STERZO MANUALE - MANUAL STEERING		

OCAP	O.E.		i	
0283205	7701041312	TESTA STERZO TIE ROD END	2)	RHT M14x1,5
0293205	7701041311	TESTA STERZO TIE ROD END	2)	RHT M14x1,5
0583202	7701468953	BARRA STERZO CON KIT TIE ROD WITH KIT ASSEMBLY	1) 2) 12)	
0593202	7701468952	BARRA STERZO CON KIT TIE ROD WITH KIT ASSEMBLY	1) 2) 12)	
0603014	6000022819	SNODO ASSIALE AXIAL JOINT	12)	RHT M14x1,5
0603204	7701469281 *	SNODO ASSIALE AXIAL JOINT	1) 2) 3)	
0603210	7701469280 *	SNODO ASSIALE AXIAL JOINT	1) 2) 13)	
0903203	7701469486	KIT CUFFIA STERZO STEERING GAITER KIT	1) 2)	
0903204	7701469487	KIT CUFFIA STERZO STEERING GAITER KIT	2) 3)	
1211334	7701469486 *	CUFFIA STERZO STEERING GAITER	1) 2)	
1211335	7701469487 *	CUFFIA STERZO STEERING GAITER	2) 3)	
0603203-K	7701469280	KIT SNODO ASSIALE AXIAL JOINT KIT	1) 2) 13)	
0603204-K	7701469281	KIT SNODO ASSIALE AXIAL JOINT KIT	1) 2) 3)	

DESTRO
RIGHT



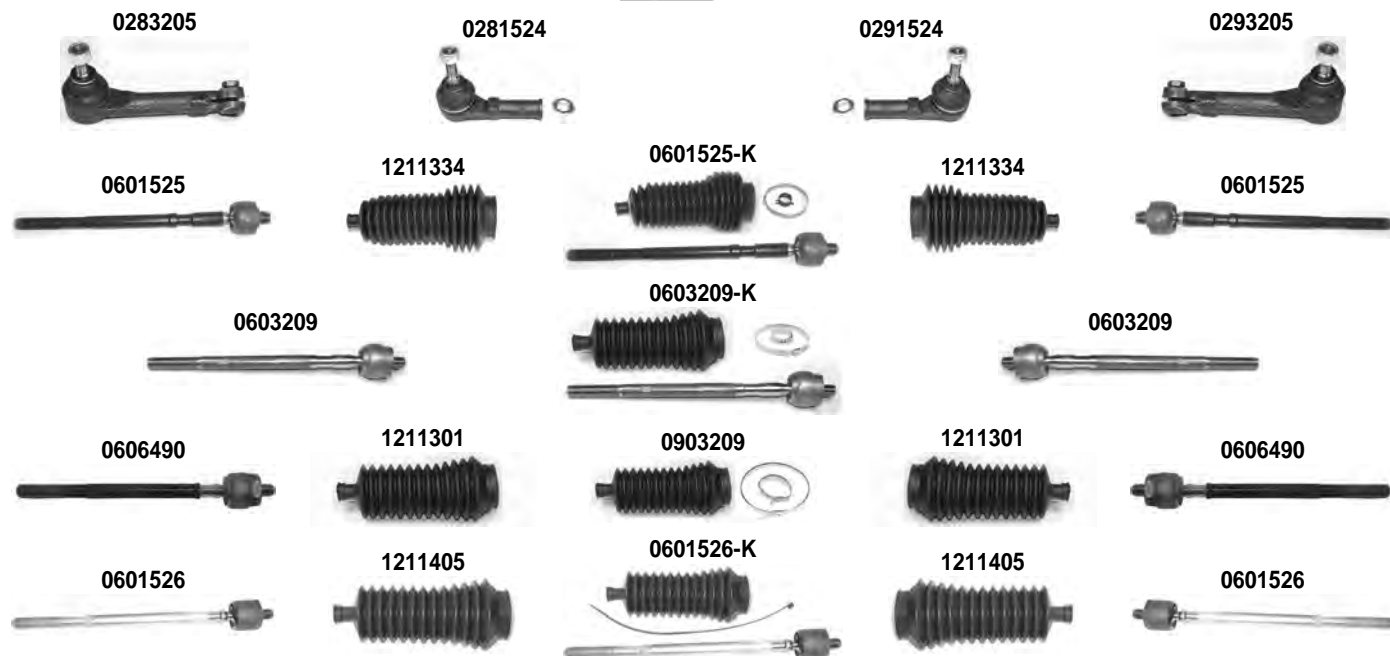
SINISTRO
LEFT

MEGANE MEGANE CLASSIC - SCENIC MEGANE SW		1995 > 2002 1996 > 2003 1999 > 2003
--	--	---

Asse Anteriore



Front Axle



i 1) SCATOLA GUIDA - STEERING BOX - TRW 4) 03/1999 > 6) > 08/1998	2) > 02/1999 5) SCATOLA GUIDA - STEERING BOX - SMI 7) 08/1998 > 02/1999
--	---

OCAP	O.E.		i	
0281524	7701474493	TESTA STERZO TIE ROD END	4)	RHT M14x1,5
0283205	7701041312	TESTA STERZO TIE ROD END	2)	RHT M14x1,5
0291524	7701474492	TESTA STERZO TIE ROD END	4)	RHT M14x1,5
0293205	7701041311	TESTA STERZO TIE ROD END	2)	RHT M14x1,5
0601525	7701472087 *	SNODO ASSIALE AXIAL JOINT	1) 4)	RHT M14x1,5
0601526	7701471844 *	SNODO ASSIALE AXIAL JOINT	4) 5)	
0603209	7701469502 *	SNODO ASSIALE AXIAL JOINT	5) 6)	
0606490	7701471885	SNODO ASSIALE AXIAL JOINT	5) 7)	
0903209	7701469496	KIT CUFFIE STERZO STEERING GAITER KIT	2) 5)	
1211301	7701469496 *	CUFFIA STERZO STEERING GAITER	2) 5)	
1211334	-	CUFFIA STERZO STEERING GAITER	1) 4)	
1211405	-	CUFFIA STERZO STEERING GAITER	4) 5)	
0601525-K	7701472087	KIT SNODO ASSIALE AXIAL JOINT KIT	1) 4)	RHT M14x1,5
0601526-K	7701471844	KIT SNODO ASSIALE AXIAL JOINT KIT	4) 5)	
0603209-K	7701469502	KIT SNODO ASSIALE AXIAL JOINT KIT	5) 6)	

DESTRO
RIGHT



SINISTRO
LEFT

MEGANE
MEGANE CLASSIC - SCENIC
MEGANE SW

1995 > 2002
1996 > 2003
1999 > 2003

Asse Anteriore



Front Axle



i 3) MOD. 2.0 16V
9) ECCETTO - EXCEPT - SCENIC RX4

8) MOD. DIESEL > 1997 - SCENIC
10) COACH 2.0 16V > 1998

OCAP	O.E.		i	
0383208	7700834917	BRACCIO OSCILLANTE - INFERIORE TRACK CONTROL ARM - LOWER	8) 9)	
0393208	7700834916	BRACCIO OSCILLANTE - INFERIORE TRACK CONTROL ARM - LOWER	8) 9)	
0400928	7701462182	SNODO SOSPENSIONE - INFERIORE BALL JOINT - LOWER		
0403208	7701469464	SNODO SOSPENSIONE - INFERIORE SUSPENSION JOINT - LOWER	8)	
0780415	7700818052	BRACCIO OSCILLANTE - INFERIORE TRACK CONTROL ARM - LOWER		
0780416	7700818054	BRACCIO OSCILLANTE - INFERIORE TRACK CONTROL ARM - LOWER	3) 10)	
0790415	7700818051	BRACCIO OSCILLANTE - INFERIORE TRACK CONTROL ARM - LOWER		
0790416	7700818053	BRACCIO OSCILLANTE - INFERIORE TRACK CONTROL ARM - LOWER		
1215098	7700789478	SILENTBLOCK BUSHING		
1215141	7700789477	SILENTBLOCK BUSHING		
1215205	7700840741	SILENTBLOCK BUSHING		
0400928-K	7701462182 *	SNODO SOSPENSIONE INFERIORE CON KIT VITI E DADI M10 BALL JOINT LOWER - WITH SCREWS AND NUTS KIT M10		

DESTRO
RIGHT



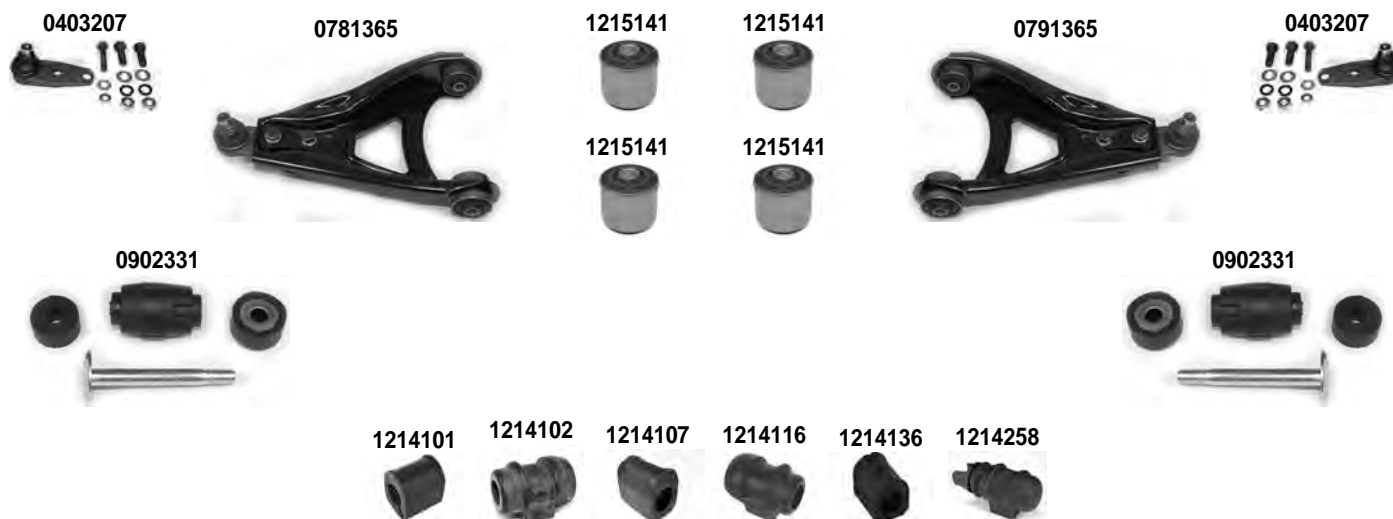
SINISTRO
LEFT

MEGANE MEGANE CLASSIC - SCENIC MEGANE SW	1995 > 2002 1996 > 2003 1999 > 2003
--	---

Asse Anteriore



Front Axle



i 3) MOD. 2.0 16V	11) COACH 2.0 16V - 1999 > - DIESEL 1998 >
--------------------------	--

OCAP	O.E.		i	
0403207	7701468411	SNODO SOSPENSIONE INFERIORE SUSPENION JOINT LOWER	3) 11)	
0781365	7700430832	BRACCIO OSCILLANTE INFERIORE TRACK CONTROL ARM LOWER	3) 11)	
0791365	7700430831	BRACCIO OSCILLANTE INFERIORE TRACK CONTROL ARM LOWER	3) 11)	
0902331	7700847382	KIT STABILIZZATORE STABILIZER LINK KIT		
1214101	7700785788	SILENTBLOCK BARRA STABILIZZATRICE STABILIZING BAR BUSHING		DIAM. 23 mm.
1214102	7700784171	SILENTBLOCK BARRA STABILIZZATRICE STABILIZING BAR BUSHING		DIAM. 24 mm.
1214107	7700428738	SILENTBLOCK BARRA STABILIZZATRICE STABILIZING BAR BUSHING		DIAM. 24,5 mm.
1214116	7700784170	SILENTBLOCK BARRA STABILIZZATRICE STABILIZING BAR BUSHING		DIAM. 18,5 mm.
1214136	7700428665	SILENTBLOCK BARRA STABILIZZATRICE STABILIZING BAR BUSHING		DIAM. 23 mm.
1214258	8200150759	SILENTBLOCK BARRA STABILIZZATRICE STABILIZING BAR BUSHING		DIAM. 24,5 mm.
1215141	7700789477	SILENTBLOCK BUSHING		

DESTRO
RIGHT

 SINISTRO
LEFT

MEGANE
MEGAN GRANDTOUR

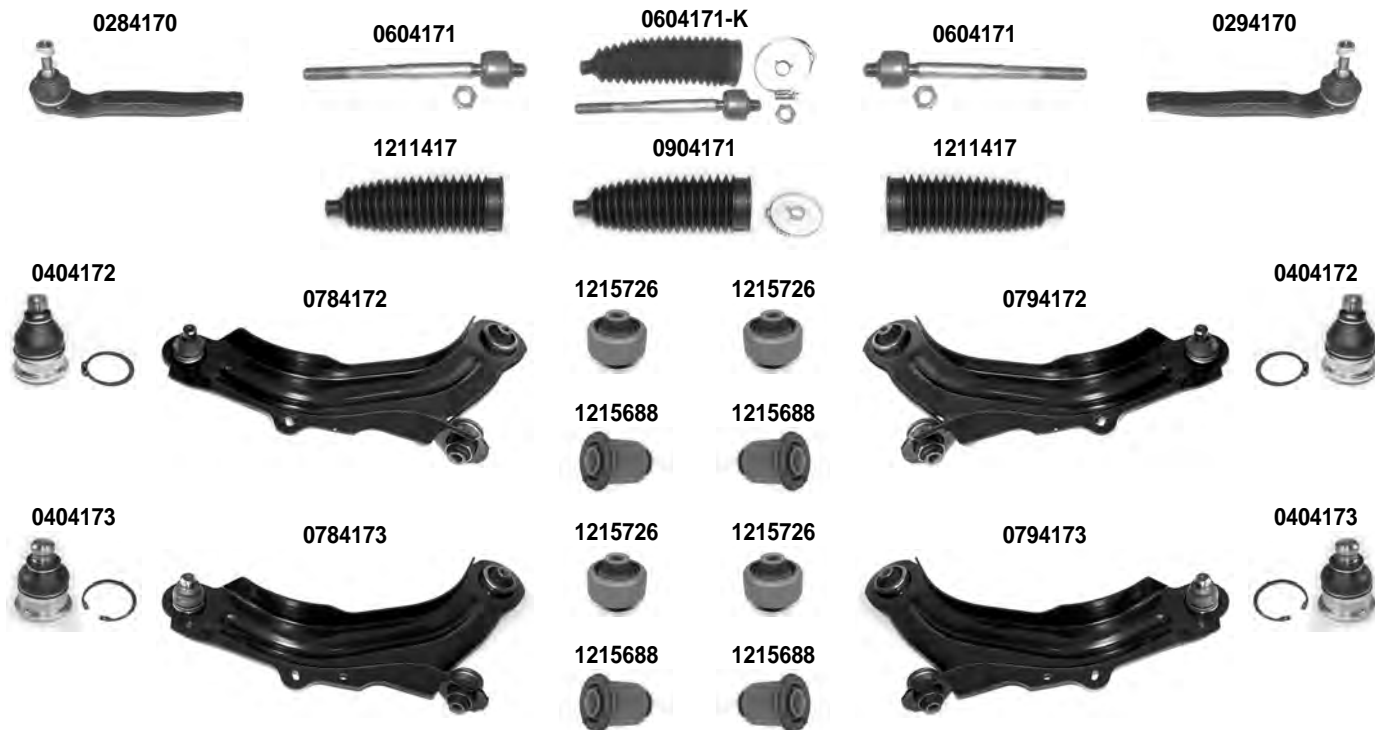
 ||
||

 10/2002 > 2010
10/2002 > 2010

Asse Anteriore



Front Axle


i 1) > 01/2003 - DIAM. PERNO - PIN DIAM.: 16 mm.

2) 02/2003 > - DIAM. PERNO - PIN DIAM.: 18 mm.

OCAP	O.E.		i	
0284170	7701474796	TESTA STERZO TIE ROD END		RHT M14x1,5
0294170	7701474795	TESTA STERZO TIE ROD END		RHT M14x1,5
0404172	6040135517	SNODO SOSPENSIONE SUSPENSION JOINT	1)	
0404173	401604793R	SNODO SOSPENSIONE SUSPENSION JOINT	2)	
0604171	7701474448 *	SNODO ASSIALE AXIAL JOINT		RHT M14x1,5
0784172	8200255761	BRACCIO OSCILLANTE TRACK CONTROL ARM	1)	
0784173	8200298455	BRACCIO OSCILLANTE TRACK CONTROL ARM	2)	
0794172	8200255760	BRACCIO OSCILLANTE TRACK CONTROL ARM	1)	
0794173	8200298454	BRACCIO OSCILLANTE TRACK CONTROL ARM	2)	
0904171	7701474447	KIT CUFFIA STERZO STEERING GAITER KIT		
1211417	7701474447*	CUFFIA STERZO STEERING BOOT		
1215688	8200242025	SILENTBLOCK CENTRALE CENTRAL BUSHING		
1215726	8200041166	SILENTBLOCK ESTREMO OUTER BUSHING		
0604171-K	7701474448	KIT SNODO ASSIALE AXIAL JOINT KIT		RHT M14x1,5

DESTRO
RIGHT



SINISTRO
LEFT

MEGANE MEGAN GRANDTOUR	 	10/2002 > 2010 10/2002 > 2010
---------------------------	------	----------------------------------

Asse Anteriore



Front Axle



i 3) ECCEETTO VEICOLI CON SOSPENSIONI RIALZATE - EXCEPT VEHICLES WITH INCREASED GROUND CLEARANCE	4) PER VEICOLI CON SOSPENSIONI RIALZATE - FOR VEHICLES WITH INCREASED GROUND CLEARANCE
---	---

OCAP	O.E.		i	
0503898	8200166159	STABILIZZATORE STABILIZER LINK	3)	
0504172	8200669066	STABILIZZATORE STABILIZER LINK	4)	
1214256	7701056678	SILENTBLOCK BARRA STABILIZZATRICE STABILIZING BAR BUSHING		DIAM. 19,5 mm.
1216218	8200742906	SILENTBLOCK ASSE AXLE BUSHING		

DESTRO
RIGHT



SINISTRO
LEFT

MEGANE
MEGAN GRANDTOUR

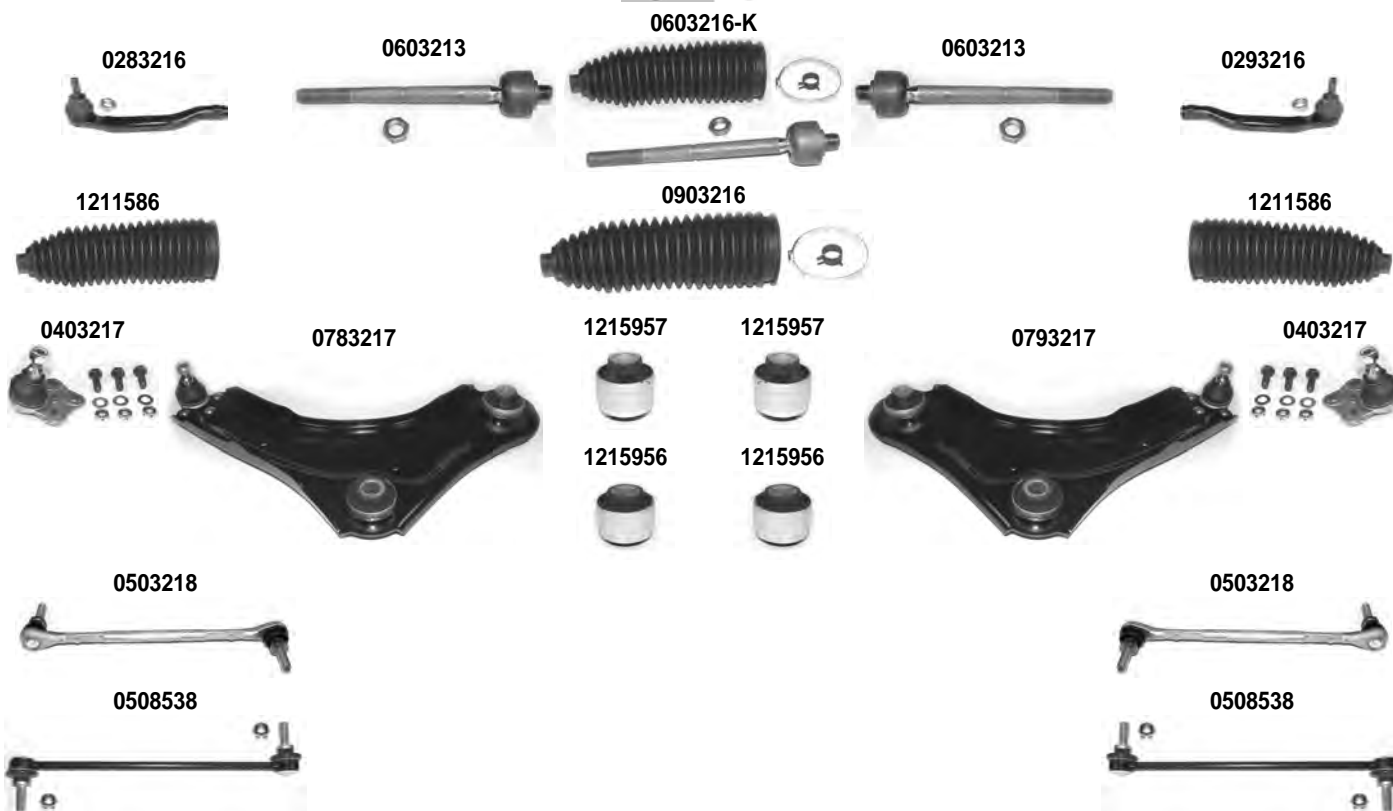


11/2008 > 2016
11/2008 > 2016

Asse Anteriore



Front Axle



i 5) VERSIONE IN ALLUMINIO - ALUMINIUM VERSION 6) VERSIONE IN ACCIAIO - STEEL VERSION

OCAP	O.E.		i	
0283216	485204680R	TESTA STERZO TIE ROD END		RHT M14x1,5
0293216	485202710R	TESTA STERZO TIE ROD END		RHT M14x1,5
0403217	545009207R *	SNODO SOSPENSIONE - INFERIORE - CON KIT BALL JOINT - LOWER - WITH KIT		
0503218	546180002R	STABILIZZATORE STABILIZER LINK	5)	
0508538	546180002R *	STABILIZZATORE STABILIZER LINK	6)	
0603213	7701478406 *	SNODO ASSIALE AXIAL JOINT		RHT M14x1,5
0783217	545009207R	BRACCIO OSCILLANTE - INFERIORE TRACK CONTROL ARM - LOWER		
0793217	545014055R	BRACCIO OSCILLANTE - INFERIORE TRACK CONTROL ARM - LOWER		
0903216	482036715R	KIT CUFFIE STERZO STEERING GAITER KIT		
1211586	482036715R *	CUFFIA STERZO STEERING BOOT		
1215956	545014055R	SILENTBLOCK CENTRALE CENTRAL BUSHING		
1215957	545600004R	SILENTBLOCK ESTREMO OUTER BUSHING		
0603216-K	485215612R	KIT SNODO ASSIALE AXIAL JOINT KIT		RHT M14x1,5

DESTRO
RIGHT



SINISTRO
LEFT

MEGANE MEGAN GRANDTOUR	IV IV	11/2015 > 04/2016 >
---------------------------	----------	------------------------

Asse Anteriore



Front Axle



i 1) PER RUOTE: 15"/17" - FOR TYRES: 15"/17"	2) PER RUOTE: 18" - FOR TYRES: 18"
---	------------------------------------

OCAP	O.E.		i	
0288500	485201340R	TESTA STERZO TIE ROD END		RHT M14x1,5
0298500	485206481R	TESTA STERZO TIE ROD END		RHT M14x1,5
0388504	545049124R	BRACCIO OSCILLANTE TRACK CONTROL ARM	2)	
0398504	545054733R	BRACCIO OSCILLANTE TRACK CONTROL ARM	2)	
0408502	545045297R *	SNODO SOSPENSIONE - INFERIORE BALL JOINT - LOWER		
0608501	485216564R	SNODO ASSIALE AXIAL JOINT		RHT M14x1,5
0788502	545045297R	BRACCIO OSCILLANTE TRACK CONTROL ARM	1)	
0798502	545057449R	BRACCIO OSCILLANTE TRACK CONTROL ARM	1)	
1216326	545605275R	SILENTBLOCK CENTRALE CENTRAL BUSHING		
1216327	545608475R	SILENTBLOCK ESTREMO OUTER BUSHING		
1216328	545609807R	SILENTBLOCK ESTREMO OUTER BUSHING		

DESTRO
RIGHT



SINISTRO
LEFT

MEGANE MEGAN GRANDTOUR	IV IV	11/2015 > 04/2016 >
---------------------------	----------	------------------------

Asse Anteriore



Front Axle



i 3) MOD. 1.6 Tce/Dci

OCAP	O.E.		i	
0388503	545049671R	BRACCIO OSCILLANTE TRACK CONTROL ARM	3)	
0398503	545056711R	BRACCIO OSCILLANTE TRACK CONTROL ARM	3)	
0408503	545049671R *	SNODO SOSPENSIONE - INFERIORE BALL JOINT - LOWER	3)	
0508505	546187005R	STABILIZZATORE - ACCIAIO STABILIZER LINK - STEEL		
0508682	546187005R *	STABILIZZATORE - ALLUMINIO STABILIZER LINK - ALUMINIUM		
1216326	545605275R	SILENTBLOCK CENTRALE CENTRAL BUSHING		
1216328	545609807R	SILENTBLOCK ESTREMO OUTER BUSHING		

DESTRO
RIGHT



SINISTRO
LEFT

R 4 - R 6

1969 >

Asse Anteriore

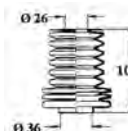


Front Axle

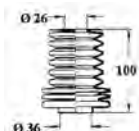
0190024



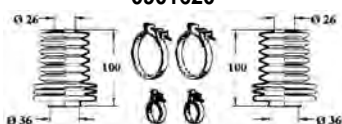
1211120



1211120



0901620



1230107



0401402



0401402



OCAP	O.E.			
0190024	7701450588	TESTA STERZO TIE ROD END		
0401402	7701451904	SNODO SOSPENSIONE SUPERIORE - CON KIT SUSPENSION JOINT - UPPER - WITH KIT		
0901620	7700554294 *	KIT CUFFIE STERZO STEERING GAITER KIT		
1211120	7700554294	CUFFIA STERZO STEERING GAITER		
1230107	7701348067	GIUNTO STERZO STEERING JOINT		

DESTRO
RIGHT

 SINISTRO
LEFT

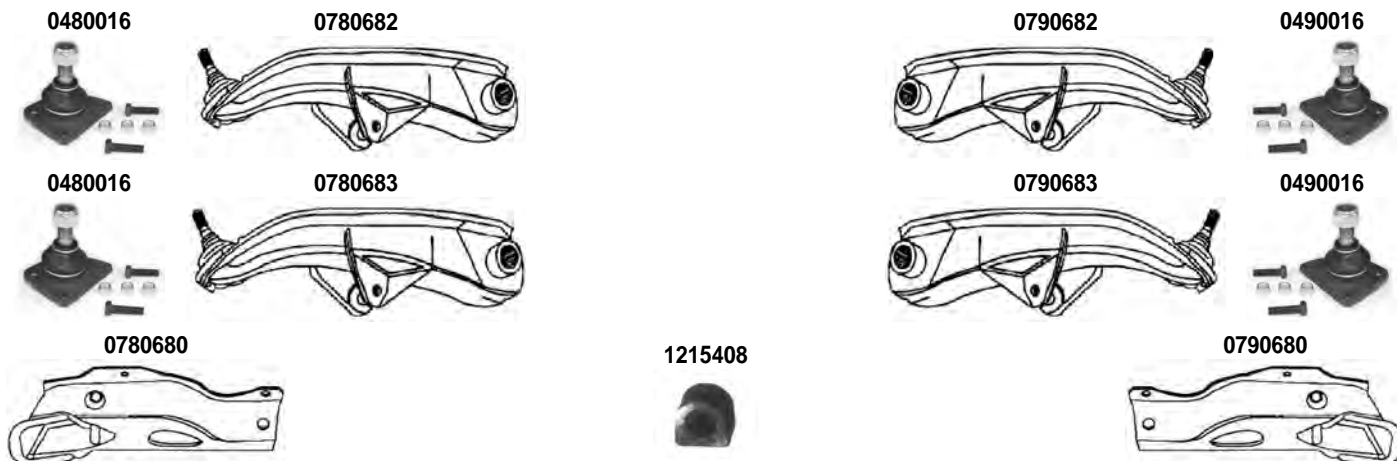
R 4 - R 6

1969 >

Asse Anteriore



Front Axle


i 1) MOD. R 6

OCAP	O.E.		i	
0480016	7701463687	SNODO SOSPENSIONE INFERIORE - CON KIT SUSPENSION JOINT - LOWER - WITH KIT		
0490016	7701463686	SNODO SOSPENSIONE INFERIORE - CON KIT SUSPENSION JOINT - LOWER - WITH KIT		
0780680	7700525703	SUPPORTO SOSPENSIONE ARTICULATION BEARING		
0780682	7700542359	BRACCIO OSCILLANTE - INFERIORE TRACK CONTROL ARM - LOWER		
0780683	7700703951	BRACCIO OSCILLANTE - INFERIORE TRACK CONTROL ARM - LOWER	1)	
0790680	7700525702	SUPPORTO SOSPENSIONE ARTICULATION BEARING		
0790682	7700542358	BRACCIO OSCILLANTE - INFERIORE TRACK CONTROL ARM - LOWER		
0790683	7700703950	BRACCIO OSCILLANTE - INFERIORE TRACK CONTROL ARM - LOWER	1)	
1215408	0608626700	BOCCOLA BARRA STABILIZZATRICE STABILIZING BAR BUSHING		

DESTRO
RIGHT



SINISTRO
LEFT

R 4 - R 6

1979 > 1984

Asse Anteriore



Front Axle

0501189

0501189



0180934

0600922

0600922

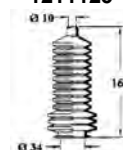
0180934



1211125

0901621

1211125



1230107



OCAP	O.E.			
0180934	7701460955	TESTA STERZO TIE ROD END		RHT M14x1,5
0501189	7701461010	BARRA STERZO - CON KIT WITH KIT ASSEMBLY		
0600922	7700656318	SNODO ASSIALE AXIAL JOINT		RHT M14x1,5
0901621	7700656569 *	KIT CUFFIE STERZO STEERING GAITER KIT		
1211125	7700656569	CUFFIA STERZO STEERING GAITER		
1230107	7701348067	GIUNTO STERZO STEERING JOINT		

DESTRO
RIGHT

 SINISTRO
LEFT

R 4 - R 6

1979 > 1984

Asse Anteriore



Front Axle

0401402



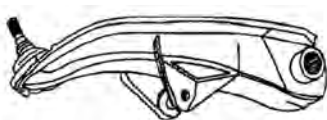
0401402



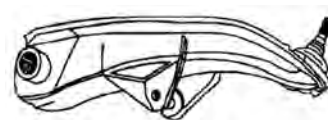
0480016



0780682



0790682



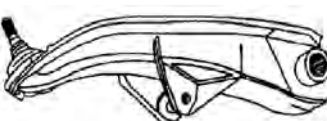
0490016



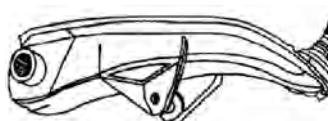
0480016



0780683



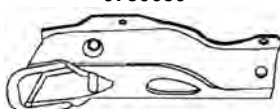
0790683



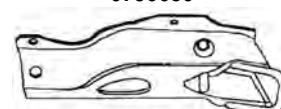
0490016



0780680



0790680



1215408


i 1) MOD. R 6

OCAP	O.E.		i	
0401402	7701451904	SNODO SOSPENSIONE SUPERIORE - CON KIT SUSPENSION JOINT - UPPER - WITH KIT		
0480016	7701463687	SNODO SOSPENSIONE INFERIORE - CON KIT SUSPENSION JOINT - LOWER - WITH KIT		
0490016	7701463686	SNODO SOSPENSIONE INFERIORE - CON KIT SUSPENSION JOINT - LOWER - WITH KIT		
0780680	7700525703	SUPPORTO SOSPENSIONE ARTICULATION BEARING		
0780682	7700542359	BRACCIO OSCILLANTE - INFERIORE TRACK CONTROL ARM - LOWER		
0780683	7700703951	BRACCIO OSCILLANTE - INFERIORE TRACK CONTROL ARM - LOWER	1)	
0790680	7700525702	SUPPORTO SOSPENSIONE ARTICULATION BEARING		
0790682	7700542358	BRACCIO OSCILLANTE - INFERIORE TRACK CONTROL ARM - LOWER		
0790683	7700703950	BRACCIO OSCILLANTE - INFERIORE TRACK CONTROL ARM - LOWER	1)	
1215408	0608626700	BOCCOLA BARRA STABILIZZATRICE STABILIZING BAR BUSHING		

R5

DESTRO
RIGHT



SINISTRO
LEFT

R 5		1969 > 05/1979
-----	--	----------------

Asse Anteriore

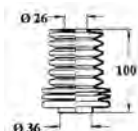


Front Axle

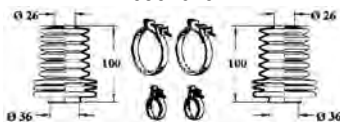
0190024



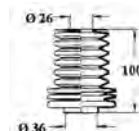
1211120



0901620



1211120



1230107



0401402



0480016



0401402



0490016



1215408



OCAP	O.E.			
0190024	7701450588	TESTA STERZO TIE ROD END		
0401402	7701451904	SNODO SOSPENSIONE SUPERIORE - CON KIT SUSPENSION JOINT - UPPER - WITH KIT		
0480016	7701463687	SNODO SOSPENSIONE INFERIORE - CON KIT SUSPENSION JOINT - LOWER - WITH KIT		
0490016	7701463686	SNODO SOSPENSIONE INFERIORE - CON KIT SUSPENSION JOINT - LOWER - WITH KIT		
0901620	7700554294 *	KIT CUFFIE STERZO STEERING GAITER KIT		
1211120	7700554294	CUFFIA STERZO STEERING GAITER		
1215408	0608626700	BOCCOLA BARRA STABILIZZATRICE STABILIZING BAR BUSHING		
1230107	7701348067	GIUNTO STERZO STEERING JOINT		

DESTRO
RIGHT

 SINISTRO
LEFT

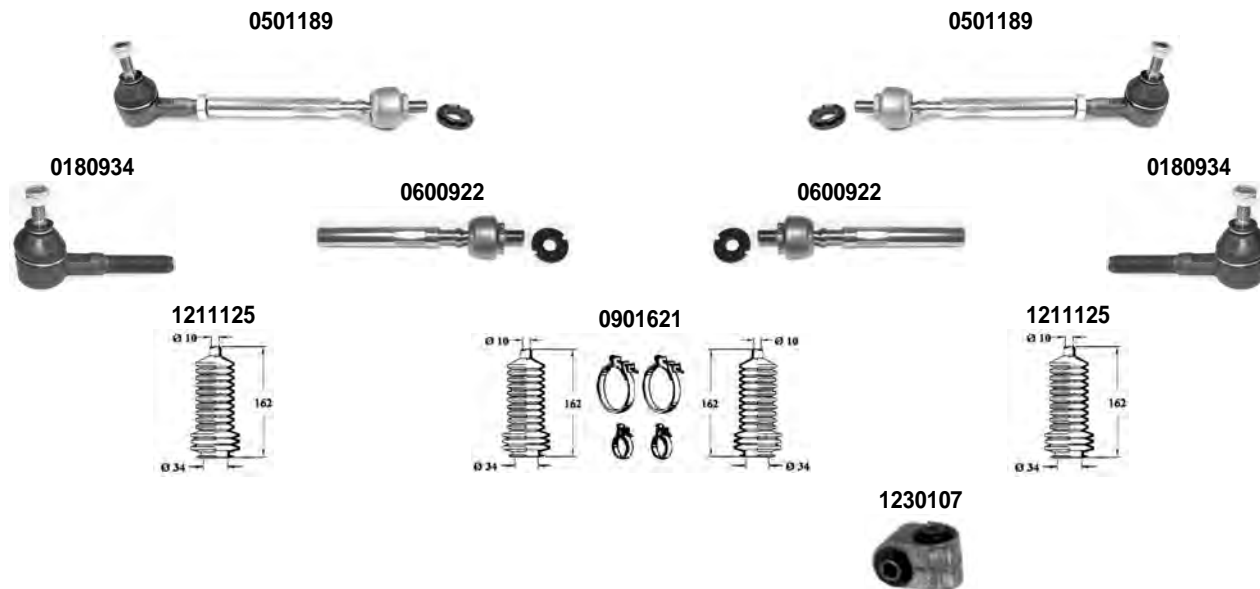
R 5



06/1979 > 1984

Asse Anteriore



Front Axle



OCAP	O.E.		
0180934	7701460955	TESTA STERZO TIE ROD END	RHT M14x1,5
0501189	7701461010	BARRA STERZO CON KIT TIE ROD WITH KIT ASSEMBLY	
0600922	7700656318	SNODO ASSIALE AXIAL JOINT	RHT M14x1,5
0901621	7700656569 *	KIT CUFFIE STERZO STEERING GAITER KIT	
1211125	7700656569	CUFFIA STERZO STEERING GAITER	
1230107	7701348067	GIUNTO STERZO STEERING JOINT	

R5

DESTRO
RIGHT



SINISTRO
LEFT

R 5		06/1979 > 1984
-----	--	----------------

Asse Anteriore



Front Axle



i 1) ECCESTO - EXCEPT - MOD. ALPINE - TURBO

OCAP	O.E.		i	
0401402	7701451904	SNODO SOSPENSIONE SUPERIORE - CON KIT SUSPENSION JOINT - UPPER - WITH KIT		
0480016	7701463687	SNODO SOSPENSIONE - INFERIORE SUSPENSION JOINT - LOWER		
0490016	7701463686	SNODO SOSPENSIONE - INFERIORE SUSPENSION JOINT - LOWER		
0780687	7700691631	BRACCIO OSCILLANTE - INFERIORE TRACK CONTROL ARM - LOWER	1)	
0790687	7700691630	BRACCIO OSCILLANTE - INFERIORE TRACK CONTROL ARM - LOWER	1)	
1215408	0608626700	BOCCOLA BARRA STABILIZZATRICE STABILIZING BAR BUSHING		

DESTRO
RIGHT

 SINISTRO
LEFT

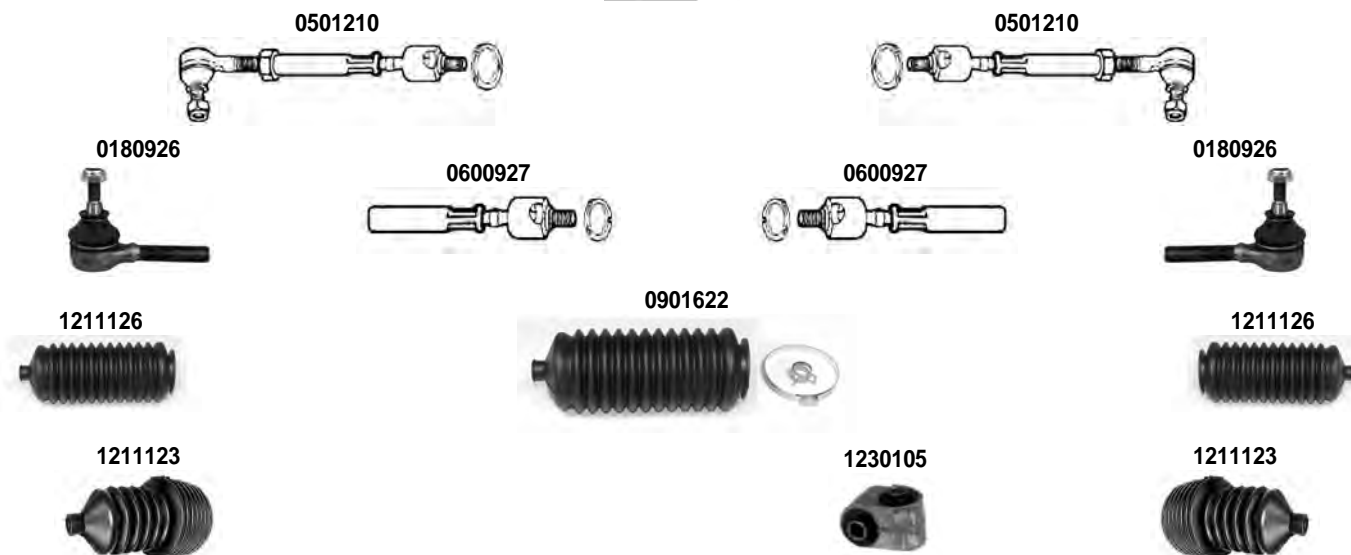
R 9 - R 11

1981 > 1989

Asse Anteriore



Front Axle



1) STERZO MANUALE - MANUAL STEERING		2) SERVOSTERZO - POWER STEERING	
OCAP	O.E.		
0180926	7701461141	TESTA STERZO TIE ROD END	RHT M14x1,5
0501210	7701462540	BARRA STERZO CON KIT TIE ROD WITH KIT ASSEMBLY	
0600927	7701462170	SNODO ASSIALE AXIAL JOINT	RHT M14x1,5
0901622	7700678649 *	KIT CUFFIE STERZO STEERING GAITER KIT	1)
1211123	7700706007	CUFFIA STERZO STEERING GAITER	2)
1211126	7700678649	CUFFIA STERZO STEERING GAITER	1)
1230105	7700687433	GIUNTO STERZO STEERING JOINT	

DESTRO
RIGHT



SINISTRO
LEFT

R 9 - R 11

1981 > 1989

Asse Anteriore



Front Axle



OCAP	O.E.		
0400928	7701462182	SNODO SOSPENSIONE - INFERIORE BALL JOINT - LOWER	DIAM. 16 mm.
0780691	7700783450	BRACCIO OSCILLANTE - INFERIORE TRACK CONTROL ARM - LOWER	
0790691	7700783449	BRACCIO OSCILLANTE - INFERIORE TRACK CONTROL ARM - LOWER	
0901067	-	KIT RIPARAZIONE BRACCIO INFERIORE REPAIRING KIT CONTROL ARM LOWER	
1215300	7704000681	SILENTBLOCK BUSHING	
1215361	7700763934	BOCCOLA BARRA STABILIZZATRICE - I SERIE STABILIZING BAR BUSHING - I SERIES	
1215362	7700760265	BOCCOLA BARRA STABILIZZATRICE STABILIZING BAR BUSHING	DIAM. 22 mm.
1215363	7700693154	BOCCOLA BARRA STABILIZZATRICE - TIPO APERTO STABILIZING BAR BUSHING - OPEN TYPE	
1215365	7700789815	BOCCOLA BARRA STABILIZZATRICE - II SERIE STABILIZING BAR BUSHING - II SERIES	
0400928-K	7701462182 *	SNODO SOSPENSIONE - INFERIORE CON KIT VITI E DADI M10 BALL JOINT LOWER - WITH SCREWS AND NUTS KIT M10	

DESTRO
RIGHT

 SINISTRO
LEFT

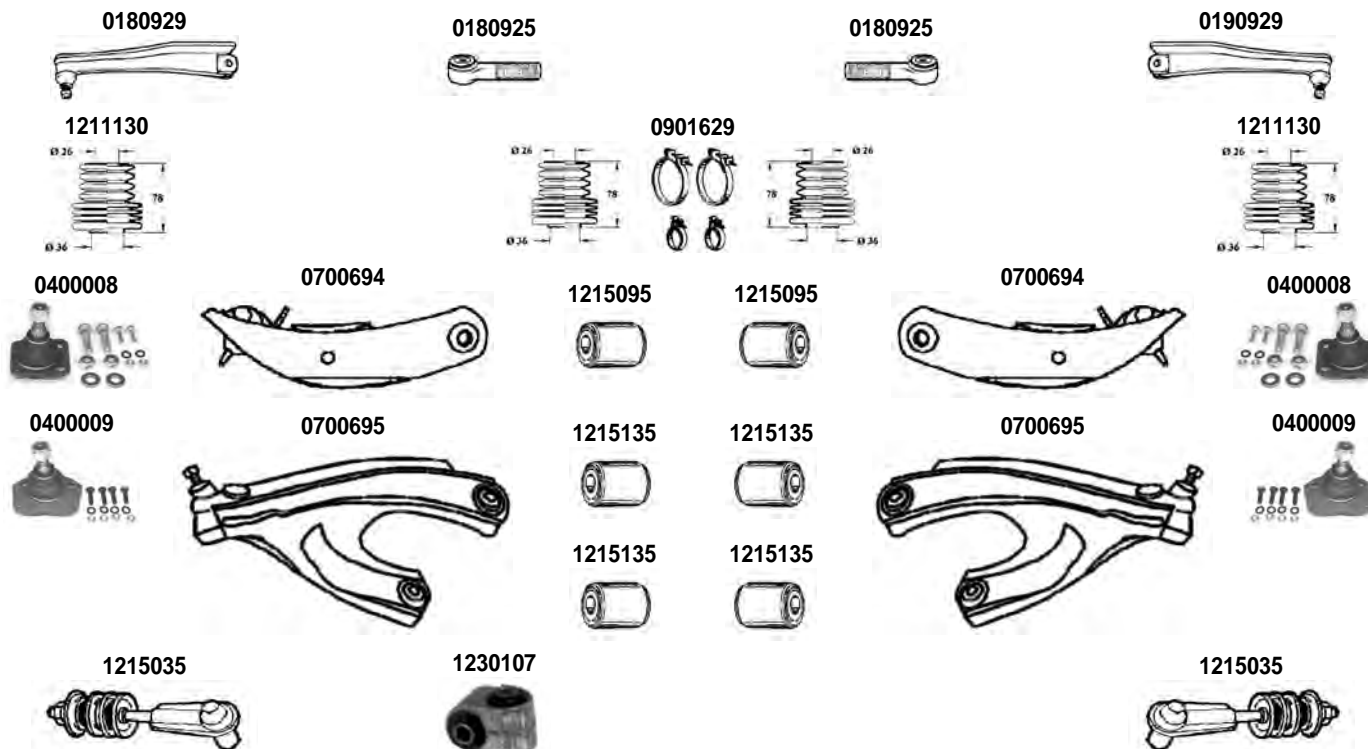
R 12 - R 15 - R 17

1969 > 1980

Asse Anteriore



Front Axle



OCAP	O.E.		i	
0180925	7700504987	TESTA STERZO TIE ROD END		
0180929	7700571173	TESTA STERZO TIE ROD END		
0190929	7700571172	TESTA STERZO TIE ROD END		
0400008	7701455906	SNODO SOSPENSIONE SUPERIORE SUSPENSION JOINT - UPPER		
0400009	7701455905	SNODO SOSPENSIONE - INFERIORE SUSPENSION JOINT - LOWER		
0700694	7701552545	BRACCIO OSCILLANTE - SUPERIORE TRACK CONTROL ARM - UPPER		
0700695	7701590974	BRACCIO OSCILLANTE - INFERIORE TRACK CONTROL ARM - LOWER		
0901629	7700526380 *	KIT CUFFIE STERZO STEERING GAITER KIT		
1211130	7700526380	CUFFIA STERZO STEERING GAITER		
1215035	7700540384	STABILIZZATORE ANTI PICH-BAR ROD		
1215095	7701348038	SILENTBLOCK BUSHING		
1215135	7701348040	SILENTBLOCK BUSHING		
1230107	7701348067	GIUNTO STERZO STEERING JOINT		

DESTRO
RIGHT



SINISTRO
LEFT

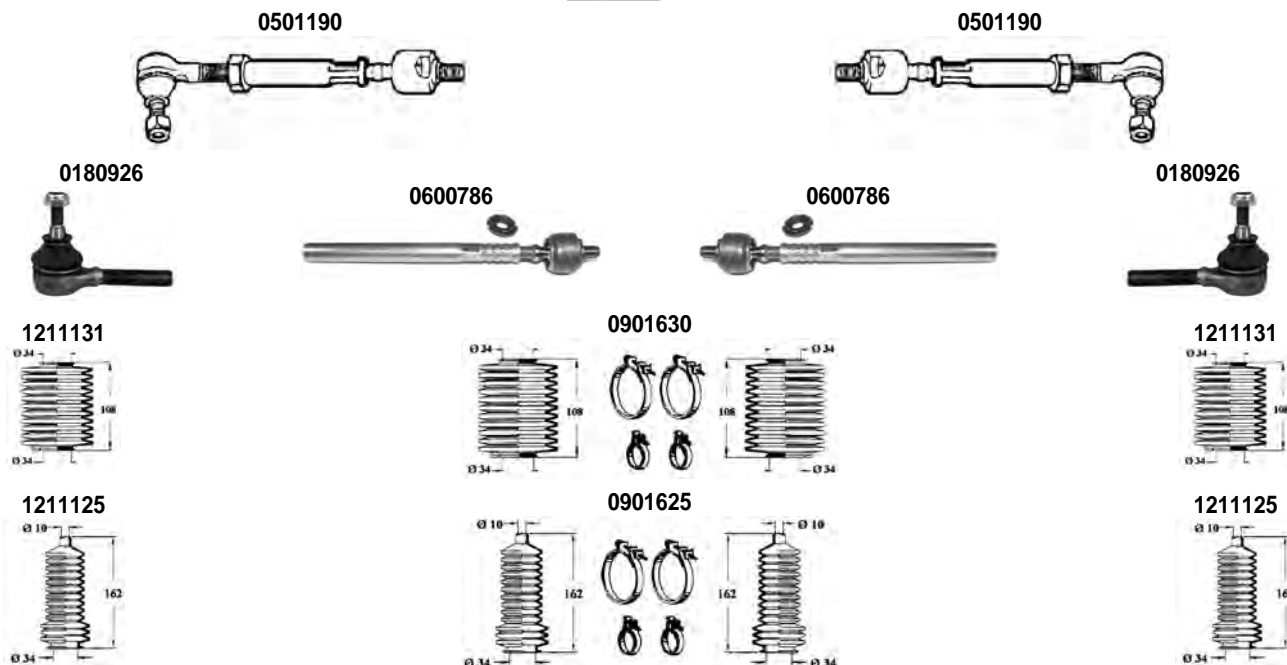
R
14

R 14	R 1210 L-TL-GTL - CH. 376630 > R 1211 1.2TS - CH. 017590 > R 1212 1.4TS-LS - R 1213 1.4 GTL	1980 > 1983
------	---	-------------

Asse Anteriore



Front Axle



i 1) > 08/1979		2) 09/1979 >		
OCAP	O.E.		i	
0180926	7701461141	TESTA STERZO TIE ROD END		RHT M14x1,5
0501190	7701461140	BARRA STERZO TIE ROD		
0600786	7700656723	SNODO ASSIALE AXIAL JOINT		RHT M14x1,5
0901625	7700656569 *	KIT CUFFIA STERZO STEERING GAITER KIT	2)	
0901630	7910014837 *	KIT CUFFIA STERZO STEERING GAITER KIT	1)	
1211125	7700656569	CUFFIA STERZO STEERING GAITER	2)	
1211131	7910014837	CUFFIA STERZO STEERING GAITER	1)	



R 14	R 1210 L-TL-GTL - CH. 376630 > R 1211 1.2TS - CH. 017590 > R 1212 1.4TS-LS - R 1213 1.4 GTL	1980 > 1983
------	---	-------------

Asse Anteriore



Front Axle

0400604

0380605

0390605

0400604



1215010

1215009



1215009

1215010



1215357



OCAP	O.E.			
0380605	7700586466	BRACCIO OSCILLANTE - INFERIORE TRACK CONTROL ARM - LOWER		
0390605	7700586241	BRACCIO OSCILLANTE - INFERIORE TRACK CONTROL ARM - LOWER		
0400604	91504248	SNODO SOSPENSIONE - INFERIORE SUSPENSION JOINT - LOWER		
1215009	7700586241 *	SILENTBLOCK ESTREMO OUTER BUSHING		
1215010	7700586466 *	SILENTBLOCK CENTRALE CENTRAL BUSHING		
1215357	915001890	BOCCOLA BARRA STABILIZZATRICE STABILIZING BAR BUSHING		

DESTRO
RIGHT



SINISTRO
LEFT

R 16

1965 >

Asse Anteriore



Front Axle

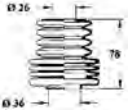
0180925



0180925



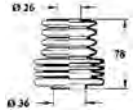
1211130



0901629



1211130



1230107



OCAP	O.E.		i	
0180925	7700504987	TESTA STERZO TIE ROD END		
0901629	7700526380 *	KIT CUFFIE STERZO STEERING GAITER KIT		
1211130	7700526380	CUFFIA STERZO STEERING GAITER		
1230107	7701348067	GIUNTO STERZO STEERING JOINT		

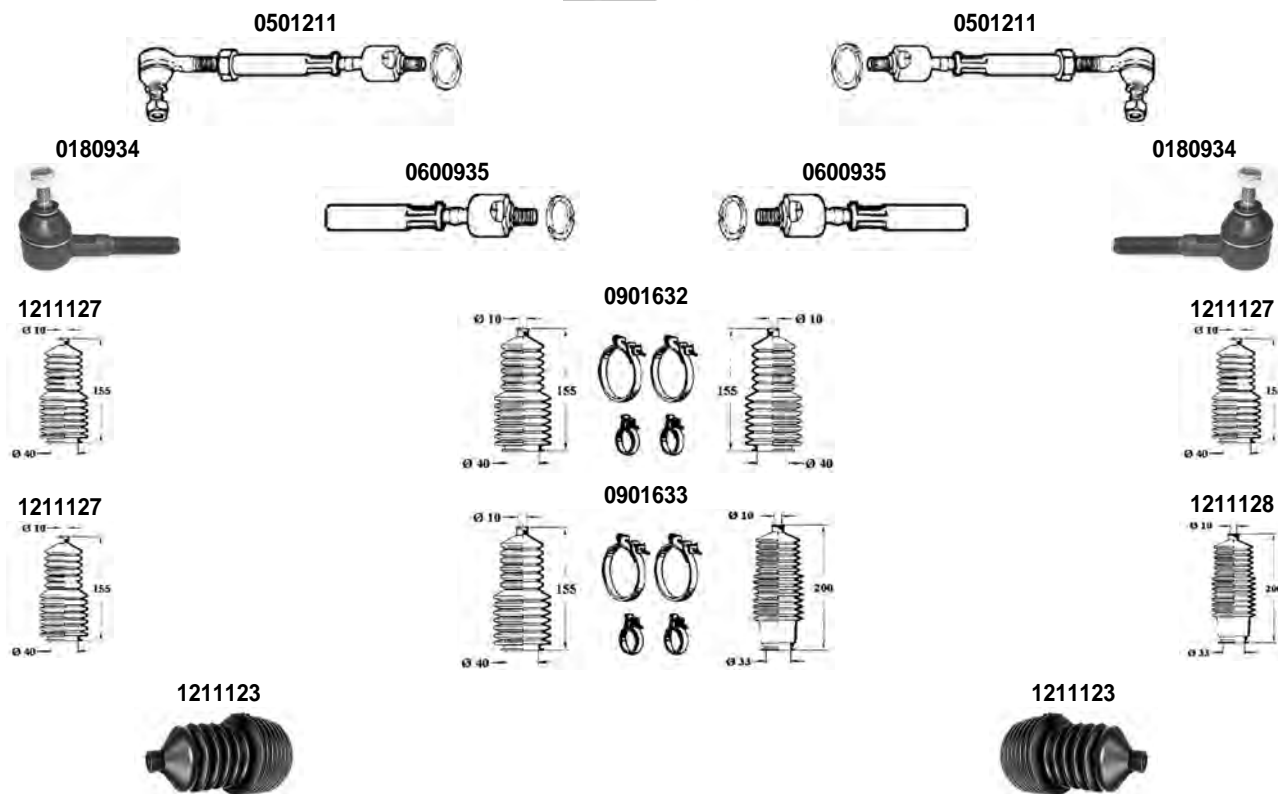


R 18	R1340-41-50-51-R2350	1978 >
------	----------------------	--------

Asse Anteriore



Front Axle



i 1) > 1982 3) 1983 >	2) STERZO MANUALE - MANUAL STEERING 4) SERVOSTERZO - POWER STEERING
---------------------------------	--

OCAP	O.E.		i	
0180934	7701460955	TESTA STERZO TIE ROD END		RHT M14x1,5
0501211	7701460875	BARRA STERZO CON KIT TIE ROD WITH KIT ASSEMBLY		
0600935	7701656272	SNODO ASSIALE AXIAL JOINT		RHT M14x1,5
0901632	7700653459 *	KIT CUFFIE STERZO STEERING GAITER KIT	1) 2)	
0901633	7700653459 **	KIT CUFFIE STERZO STEERING GAITER KIT	2) 3)	
1211123	7700706007	CUFFIA STERZO STEERING GAITER	3) 4)	
1211127	7700653459	CUFFIA STERZO STEERING GAITER	1) 2)	
1211128	7700680852	CUFFIA STERZO STEERING GAITER	2) 3)	

DESTRO
RIGHT



SINISTRO
LEFT

R
18

R 18

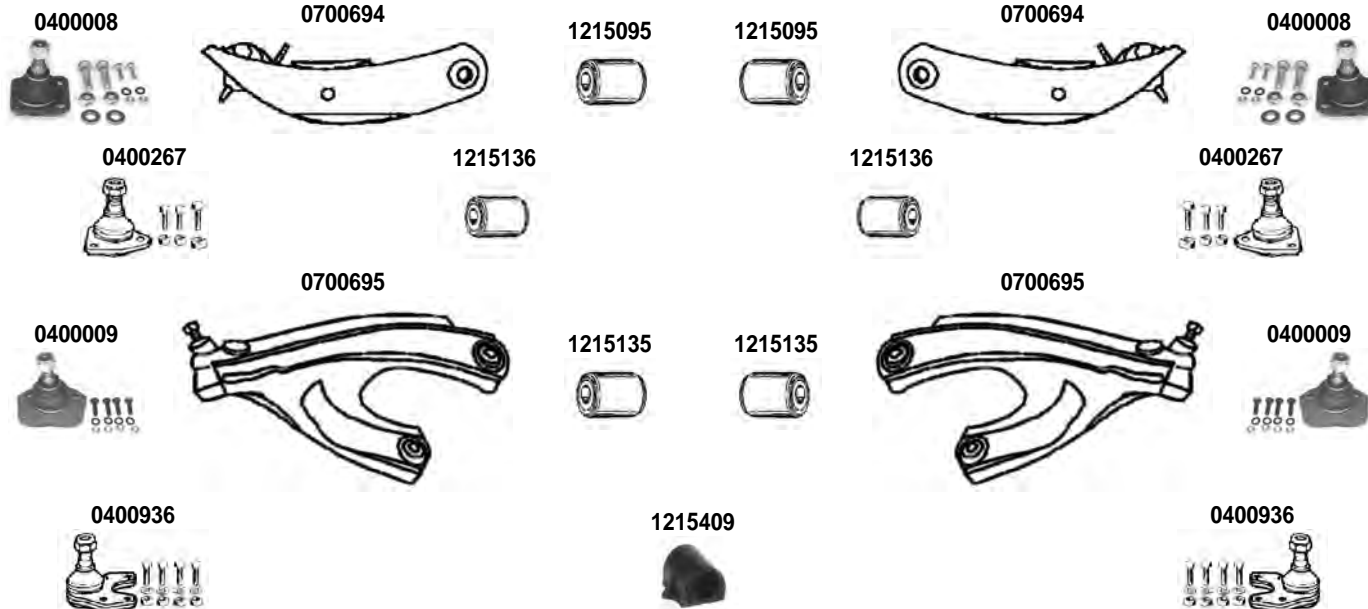
R1340-41-50-51-R2350

1978 >

Asse Anteriore



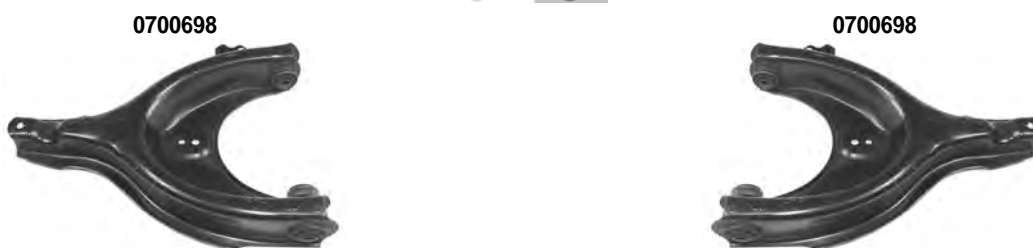
Front Axle



Asse Posteriore



Rear Axle



1) > 1982		3) 1983 >	
OCAP	O.E.		
0400008	7701455906	SNODO SOSPENSIONE - SUPERIORE SUSPENSION JOINT - UPPER	1)
0400009	7701455905	SNODO SOSPENSIONE - INFERIORE SUSPENSION JOINT - LOWER	1)
0400267	7701461332	SNODO SOSPENSIONE - SUPERIORE SUSPENSION JOINT - UPPER	3)
0400936	7701461331	SNODO SOSPENSIONE - INFERIORE SUSPENSION JOINT - LOWER	3)
0700694	7701552545	BRACCIO OSCILLANTE - SUPERIORE TRACK CONTROL ARM - UPPER	1)
0700695	7701590974	BRACCIO OSCILLANTE - INFERIORE TRACK CONTROL ARM - LOWER	1)
0700698	7700622244	BRACCIO OSCILLANTE TRACK CONTROL ARM	
1215095	7701348038	SILENTBLOCK BUSHING	
1215135	7701348040	SILENTBLOCK BUSHING	1)
1215136	7705040002	SILENTBLOCK BUSHING	3)
1215409	7700630430	BOCCOLA BARRA STABILIZZATRICE STABILIZING BAR BUSHING	

R 18

DESTRO
RIGHT



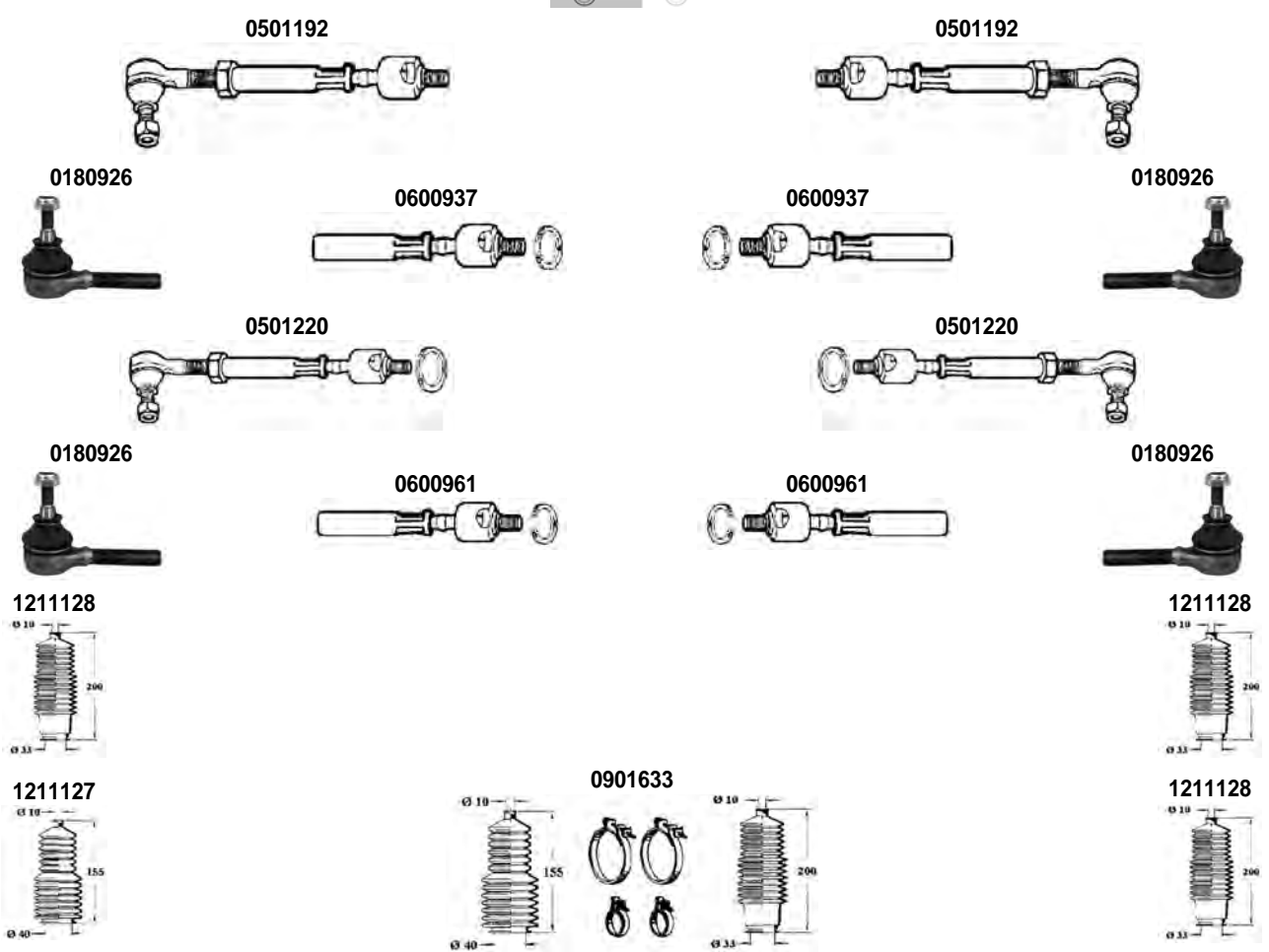
SINISTRO
LEFT

R 18 R 18 FUEGO - R20	R1342-43-44-45-46 R1352-53-54-55-56-R2350-54 R1270-76-77	> 1986 > 1986 1980 > 1985
-----------------------------	--	---------------------------------

Asse Anteriore



Front Axle



i 1) STERZO MANUALE - MANUAL STEERING 3) > 1982	2) SERVOSTERZO - POWER STEERING
---	--

OCAP	O.E.		i	
0180926	7701461141	TESTA STERZO TIE ROD END		RHT M14x1,5
0501192	7701461344	BARRA STERZO CON KIT TIE ROD WITH KIT ASSEMBLY	1)	
0501220	7701461923	BARRA STERZO CON KIT TIE ROD WITH KIT ASSEMBLY	2)	
0600937	-	SNODO ASSIALE AXIAL JOINT	1)	RHT M14x1,5
0600961	-	SNODO ASSIALE AXIAL JOINT	2)	RHT M14x1,5
0901633	7700653459 **	KIT CUFFIE STERZO STEERING GAITER KIT	1) 3)	
1211127	7700653459	CUFFIA STERZO STEERING GAITER	1) 3)	
1211128	7700680852	CUFFIA STERZO STEERING GAITER	3)	

DESTRO
RIGHT

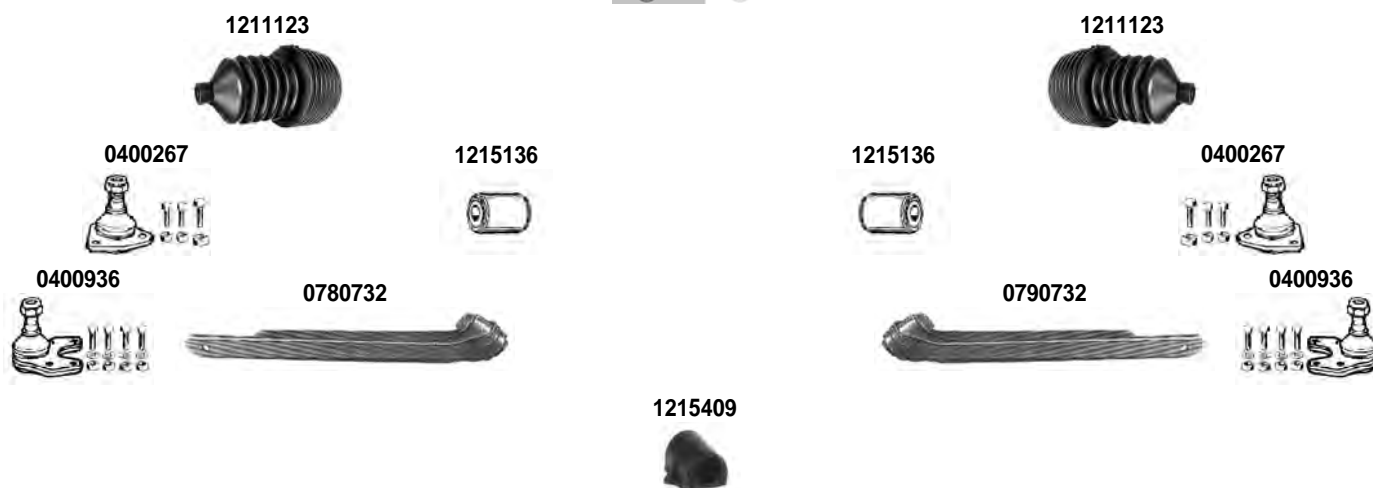
 SINISTRO
LEFT

R 18 R 18 FUEGO - R20	R1342-43-44-45-46 R1352-53-54-55-56-R2350-54 R1270-76-77	> 1986 > 1986 1980 > 1985
-----------------------------	--	---------------------------------

Asse Anteriore



Front Axle



Asse Posteriore



Rear Axle


i 2) SERVOSTERZO - POWER STEERING

OCAP	O.E.		i	
0400267	7701461332	SNODO SOSPENSIONE SUPERIORE SUSPENSION JOINT - UPPER		
0400936	7701461331	SNODO SOSPENSIONE INFERIORE SUSPENSION JOINT - LOWER		
0700698	7700622244	BRACCIO OSCILLANTE TRACK CONTROL ARM		
0780732	7700649106	ASTA SOSPENSIONE - INFERIORE SUSPENSION CROSS ROD - LOWER		
0790732	7700649105	ASTA SOSPENSIONE - INFERIORE SUSPENSION CROSS ROD - LOWER		
1211123	7700706007	CUFFIA STERZO STEERING GAITER	2) 3)	
1215136	7705040002	SILENTBLOCK BUSHING		
1215409	7700630430	BOCCOLA BARRA STABILIZZATRICE STABILIZING BAR BUSHING		

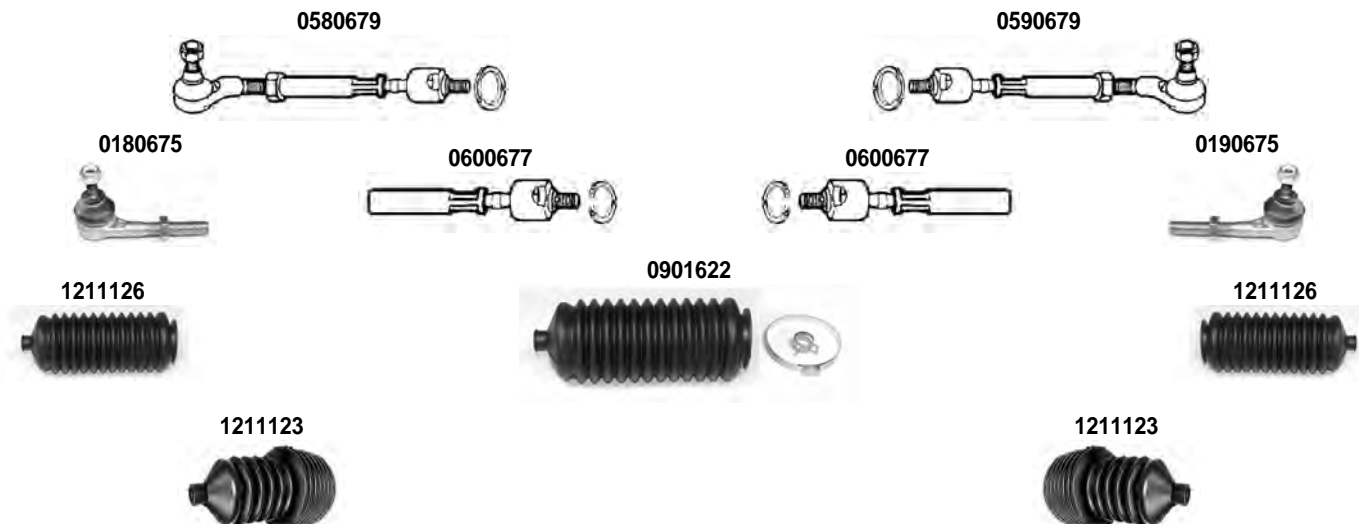


R 19	1988 >
------	--------

Asse Anteriore



Front Axle



i 1) STERZO MANUALE - MANUAL STEERING	2) SERVOSTERZO - POWER STEERING
--	---------------------------------

OCAP	O.E.		i	
0180675	6000030048	TESTA STERZO TIE ROD END		RHT M14x1,5
0190675	6000030047	TESTA STERZO TIE ROD END		RHT M14x1,5
0580679	7701467237	BARRA STERZO CON KIT TIE ROD WITH KIT ASSEMBLY		
0590679	7701467235	BARRA STERZO CON KIT TIE ROD WITH KIT ASSEMBLY		
0600677	-	SNODO ASSIALE CON KIT AXIAL JOINT WITH KIT		RHT M14x1,5
0901622	7700678649 *	KIT CUFFIE STERZO STEERING GAITER KIT	1)	
1211123	7700706007	CUFFIA STERZO STEERING GAITER	2)	
1211126	7700678649	CUFFIA STERZO STEERING GAITER	1)	

DESTRO
RIGHT

 SINISTRO
LEFT

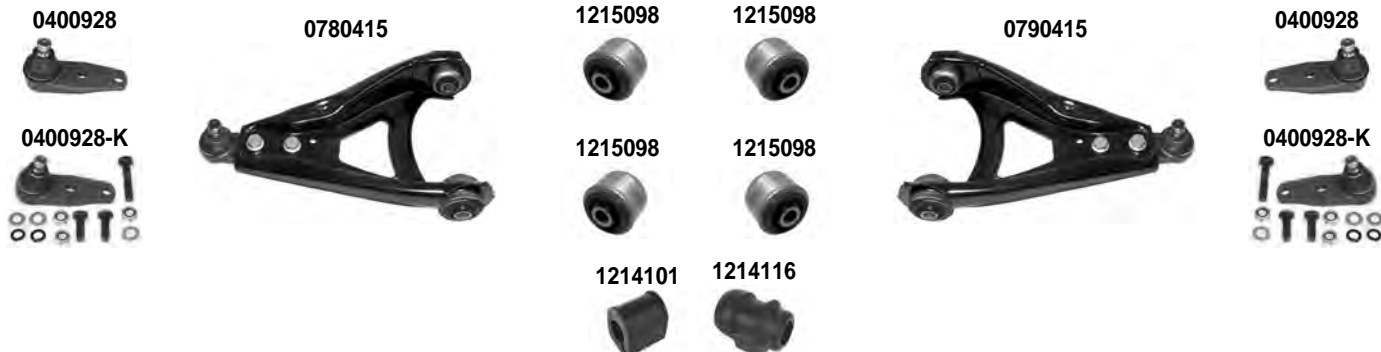
R 19



1988 >

Asse Anteriore



Front Axle



OCAP	O.E.		
0400928	7701462182	SNODO SOSPENSIONE - INFERIORE <i>BALL JOINT - LOWER</i>	DIAM. 16 mm.
0780415	7700818052	BRACCIO OSCILLANTE - INFERIORE <i>TRACK CONTROL ARM - LOWER</i>	
0790415	7700818051	BRACCIO OSCILLANTE - INFERIORE <i>TRACK CONTROL ARM - LOWER</i>	
1214101	7700785788	SILENTBLOCK BARRA STABILIZZATRICE <i>STABILIZING BAR BUSHING</i>	DIAM. 23 mm.
1214116	7700784170	SILENTBLOCK BARRA STABILIZZATRICE <i>STABILIZING BAR BUSHING</i>	DIAM. 18 mm.
1215098	7700789478	SILENTBLOCK <i>BUSHING</i>	
0400928-K	7701462182 *	SNODO SOSPENSIONE - INFERIORE - CON KIT VITI E DADI M10 <i>BALL JOINT - LOWER - WITH SCREWS AND NUTS KIT M10</i>	

DESTRO
RIGHT



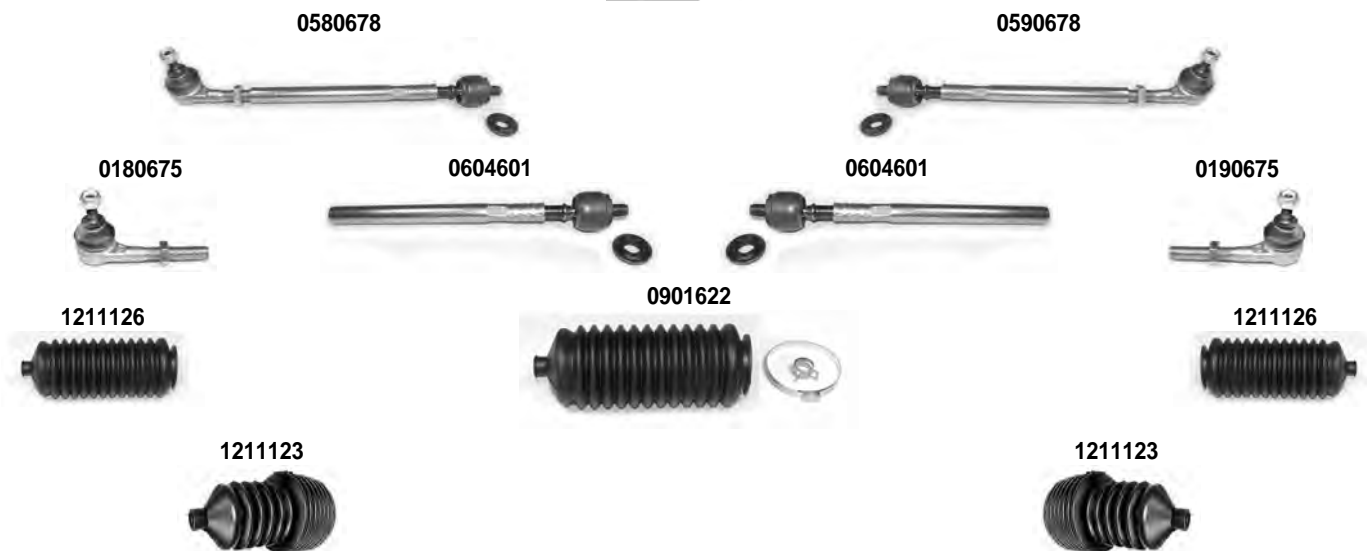
SINISTRO
LEFT

R 19 - 16 V	1988 >
-------------	--------

Asse Anteriore



Front Axle



i 1) STERZO MANUALE - MANUAL STEERING	2) SERVOSTERZO - POWER STEERING
--	---------------------------------

OCAP	O.E.		i	
0180675	6000030048	TESTA STERZO TIE ROD END		RHT M14x1,5
0190675	6000030047	TESTA STERZO TIE ROD END		RHT M14x1,5
0580678	7701467238	BARRA STERZO CON KIT TIE ROD WITH KIT ASSEMBLY		
0590678	7701467236	BARRA STERZO CON KIT TIE ROD WITH KIT ASSEMBLY		
0604601	7701467238 *	SNODO ASSIALE CON KIT AXIAL JOINT WITH KIT		RHT M14x1,5
0901622	7700678649 *	KIT CUFFIE STERZO STEERING GAITER KIT	1)	
1211123	7700706007	CUFFIA STERZO STEERING GAITER	2)	
1211126	7700678649	CUFFIA STERZO STEERING GAITER	1)	

DESTRO
RIGHT

 SINISTRO
LEFT

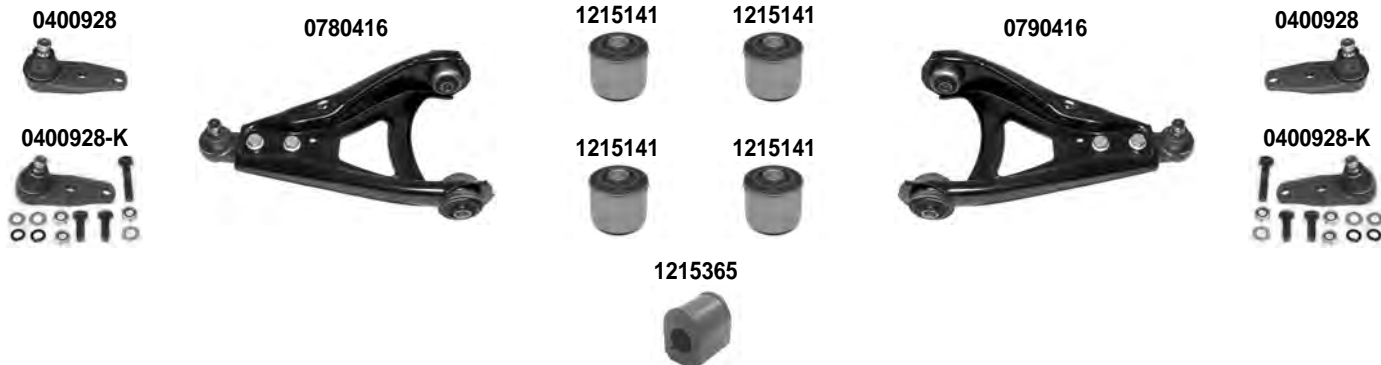
R 19 - 16 V



1988 >

Asse Anteriore



Front Axle



OCAP	O.E.		
0400928	7701462182	SNODO SOSPENSIONE - INFERIORE BALL JOINT - LOWER	DIAM. 16 mm.
0780416	7700818054	BRACCIO OSCILLANTE - INFERIORE TRACK CONTROL ARM - LOWER	
0790416	7700818053	BRACCIO OSCILLANTE - INFERIORE TRACK CONTROL ARM - LOWER	
1215141	7700789477	SILENTBLOCK BUSHING	
1215365	7700789815	BOCCOLA CENTRALE BARRA STABILIZZATRICE STABILIZING BAR BUSHING - CENTRAL	
0400928-K	7701462182 *	SNODO SOSPENSIONE INFERIORE CON KIT VITI E DADI M10 BALL JOINT LOWER - WITH SCREWS AND NUTS KIT M10	

R 20

DESTRO
RIGHT



SINISTRO
LEFT

R 20

Asse Anteriore



Front Axle

0580941



0190941



0180942



0180925



0400009



0400266



0400266



0400009



OCAP	O.E.			
0180925	7700504987	TESTA STERZO TIE ROD END		
0180942	7700633739	TESTA A FORCELLA JOINT FORK		
0190941	7700633745	TESTA STERZO TIE ROD END		RHT M14x1,5
0400009	7701455905	SNODO SOSPENSIONE - INFERIORE SUSPENSION JOINT - LOWER		
0400266	7701461077	SNODO SOSPENSIONE - SUPERIORE SUSPENSION JOINT - UPPER		
0580941	7700633747	BARRA STERZO TIE ROD		

DESTRO
RIGHT

 SINISTRO
LEFT

R 20 TL

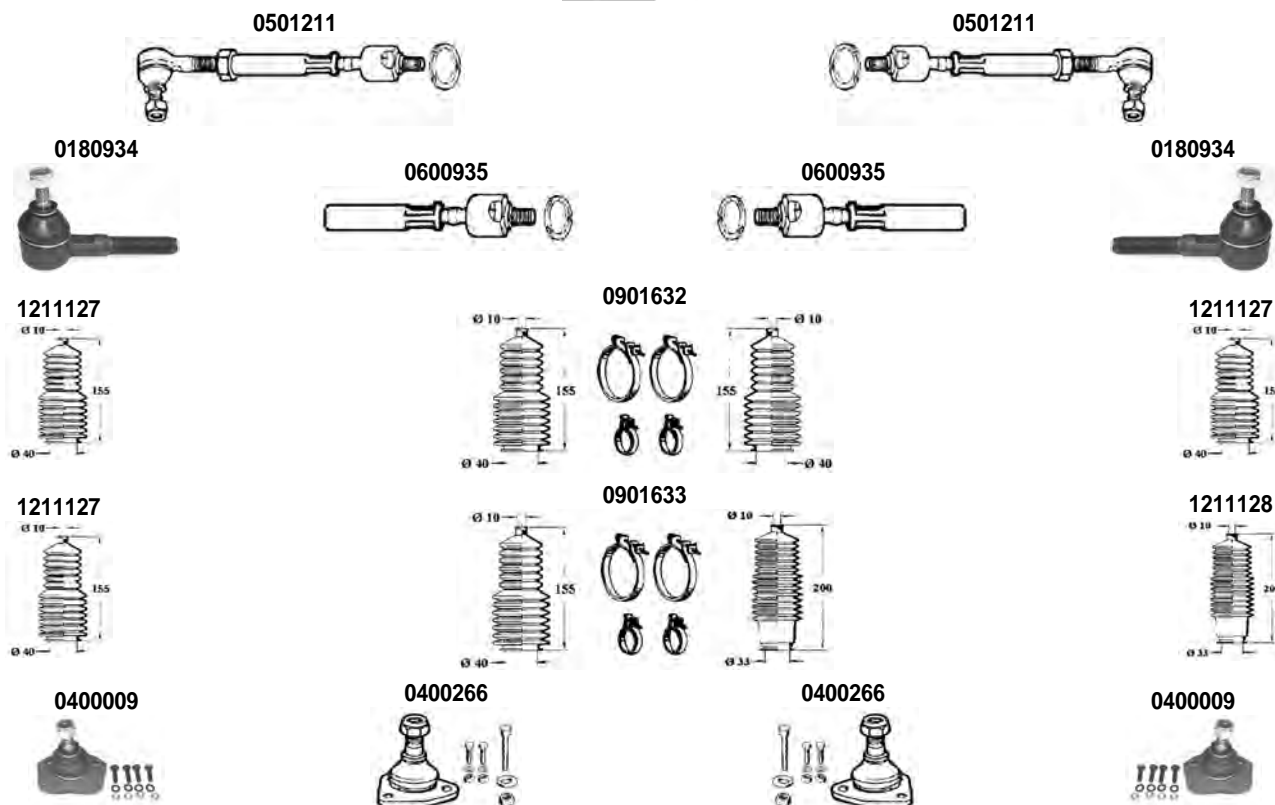
160601 >

> 1980

Asse Anteriore



Front Axle



i 1) STERZO MANUALE - MANUAL STEERING		2) SERVOSTERZO - POWER STEERING	
OCAP	O.E.		i
0180934	7701460955	TESTA STERZO TIE ROD END	RHT M14x1,5
0400009	7701455905	SNODO SOSPENSIONE INFERIORE SUSPENSION JOINT - LOWER	
0400266	7701461077	SNODO SOSPENSIONE SUPERIORE SUSPENSION JOINT - UPPER	
0501211	7701460875	BARRA STERZO CON KIT TIE ROD WITH KIT ASSEMBLY	
0600935	7700656272	SNODO ASSIALE AXIAL JOINT	RHT M14x1,5
0901632	7700653459 *	KIT CUFFIE STERZO STEERING GAITER KIT	1)
0901633	7700653459 **	KIT CUFFIE STERZO STEERING GAITER KIT	2)
1211127	7700653459	CUFFIA STERZO STEERING GAITER	1)
1211128	7700680852	CUFFIA STERZO STEERING GAITER	2)

DESTRO
RIGHT



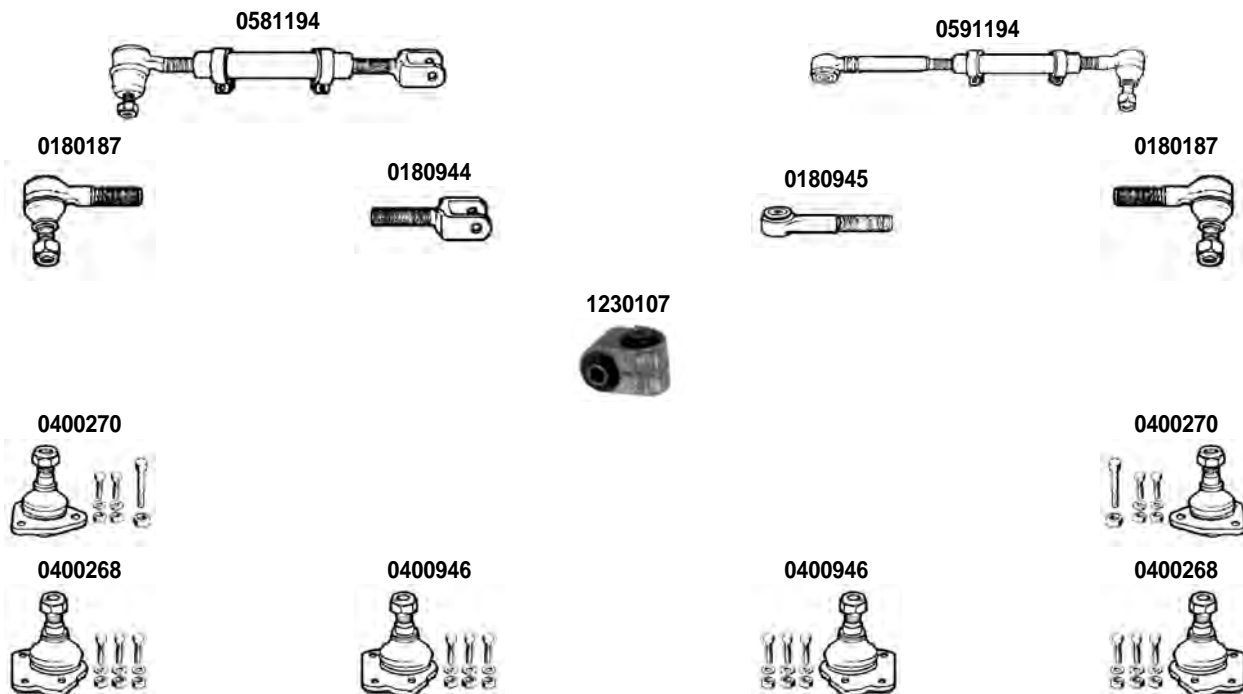
SINISTRO
LEFT

R 20 TS

Asse Anteriore



Front Axle



i 1) > 48700 2) 48701 >

OCAP	O.E.		i	
0180187	-	TESTA STERZO TIE ROD END		
0180944	-	TESTA A FORCELLA JOINT FORK		
0180945	-	TESTA STERZO TIE ROD END		
0400268	7701458260	SNODO SOSPENSIONE - INFERIORE SUSPENSION JOINT - LOWER	1)	
0400270	7701458261	SNODO SOSPENSIONE - SUPERIORE SUSPENSION JOINT - UPPER		
0400946	7701460661	SNODO SOSPENSIONE - INFERIORE SUSPENSION JOINT - LOWER	2)	
0581194	7700630016	BARRA STERZO TIE ROD		
0591194	7700622941	BARRA STERZO TIE ROD		
1230107	7701348067	GIUNTO STERZO STEERING JOINT		

DESTRO
RIGHT

 SINISTRO
LEFT

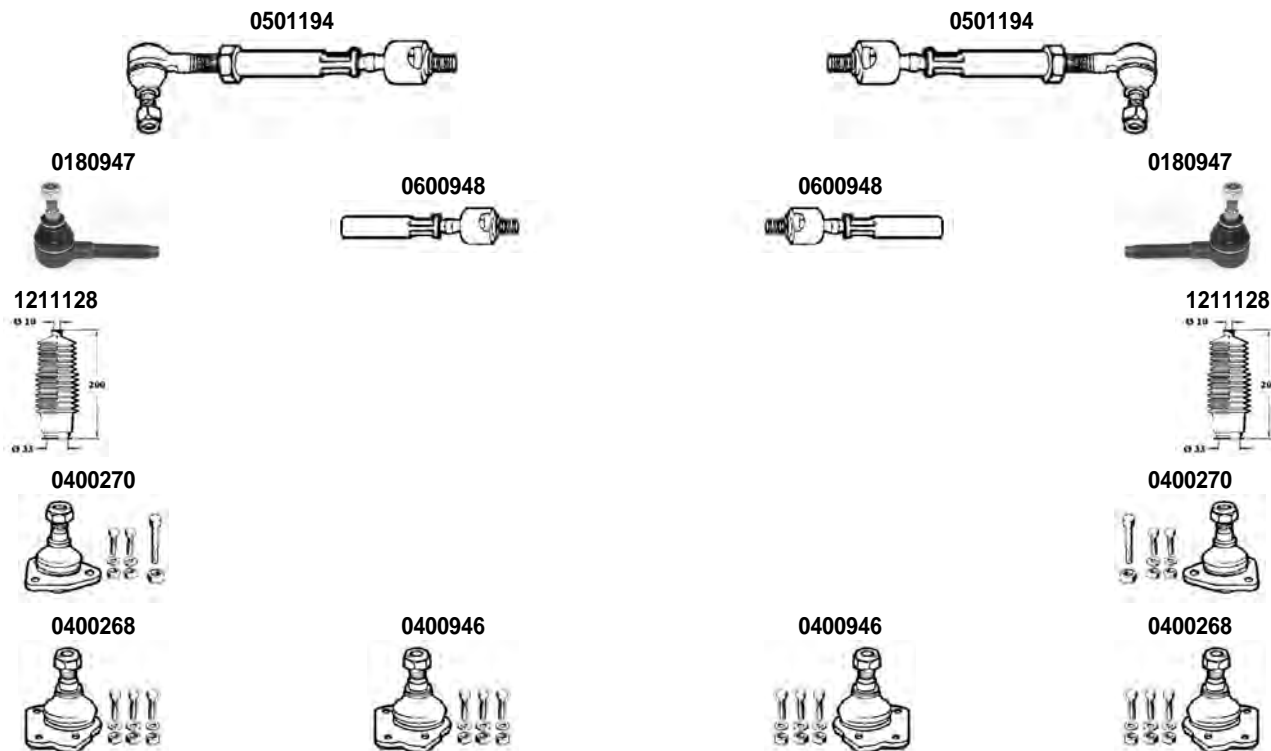
 R 20 TX
R 30 TS/TX

 1980 > 1983
1981 > 1983

Asse Anteriore



Front Axle



i 1) MOD. R 30 TS >63800 - R 30 TX >22200 2) MOD.R 20 - R 30 TS 63801 > - R 30 TX 22201 >

OCAP	O.E.		i	
0180947	7701460770	TESTA STERZO TIE ROD END		RHT M14x1,5
0400268	7701458260	SNODO SOSPENSIONE - INFERIORE SUSPENSION JOINT - LOWER	1)	
0400270	7701458261	SNODO SOSPENSIONE - SUPERIORE SUSPENSION JOINT - UPPER		
0400946	7701460661	SNODO SOSPENSIONE - INFERIORE SUSPENSION JOINT - LOWER	2)	
0501194	7701461824	BARRA STERZO TIE ROD		
0600948	-	SNODO ASSIALE AXIAL JOINT		RHT M14x1,5
1211128	7700680852	CUFFIA STERZO STEERING GAITER		

DESTRO
RIGHT



SINISTRO
LEFT

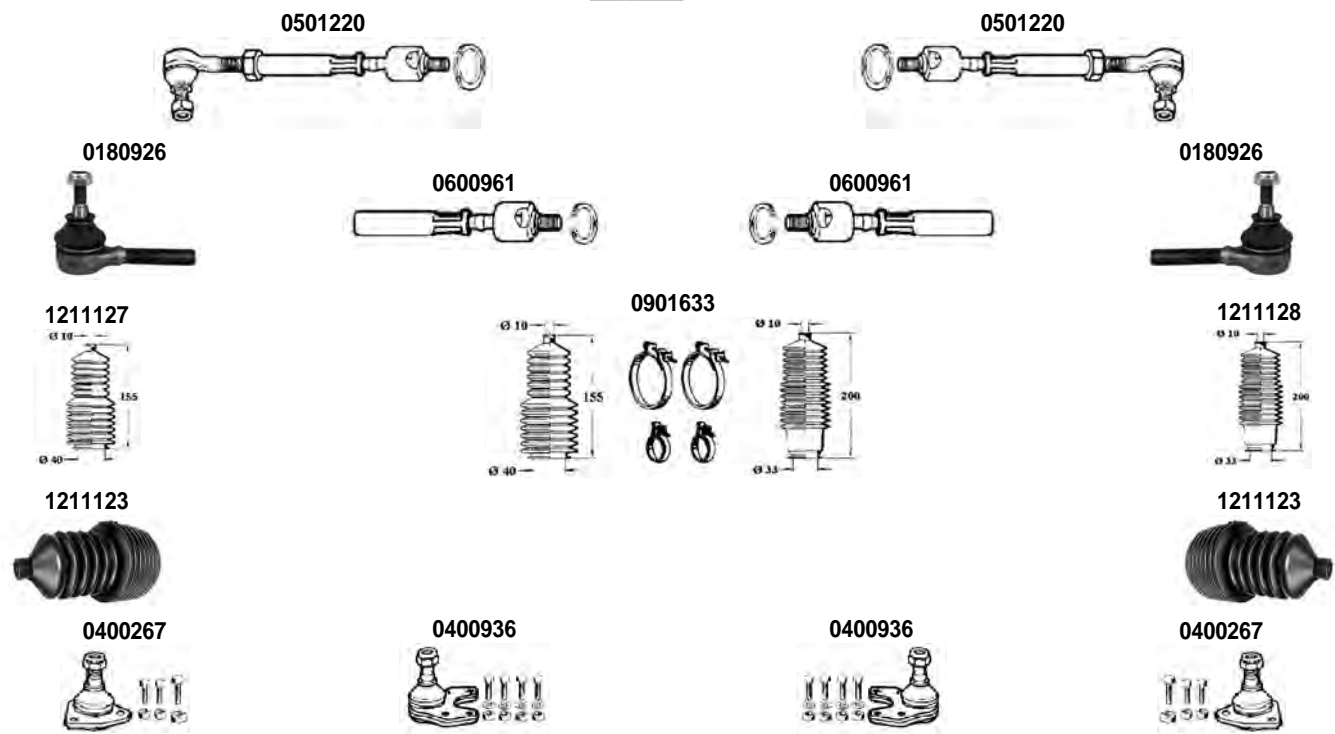
R 20 TD - R 30 TURBO DIESEL

1980 > 1983

Asse Anteriore



Front Axle



i 1) STERZO MANUALE - MANUAL STEERING	2) SERVOSTERZO - POWER STEERING
--	---

OCAP	O.E.		i	
0180926	7701461141	TESTA STERZO TIE ROD END		RHT M14x1,5
0400267	7701461332	SNODO SOSPENSIONE - SUPERIORE SUSPENSION JOINT - UPPER		
0400936	7701461331	SNODO SOSPENSIONE - INFERIORE SUSPENSION JOINT - LOWER		
0501220	7701463025	BARRA STERZO CON KIT TIE ROD WITH KIT ASSEMBLY	2)	
0600961	-	SNODO ASSIALE - CON KIT AXIAL JOINT - WITH KIT ASSEMBLY	2)	RHT M14x1,5
0901633	7700653459 **	KIT CUFFIE STERZO STEERING GAITER KIT	2)	
1211123	7700706007	CUFFIA STERZO STEERING GAITER	2)	
1211127	7700653459	CUFFIA STERZO STEERING GAITER	1)	
1211128	7700680852	CUFFIA STERZO STEERING GAITER	1)	

DESTRO
RIGHT

 SINISTRO
LEFT

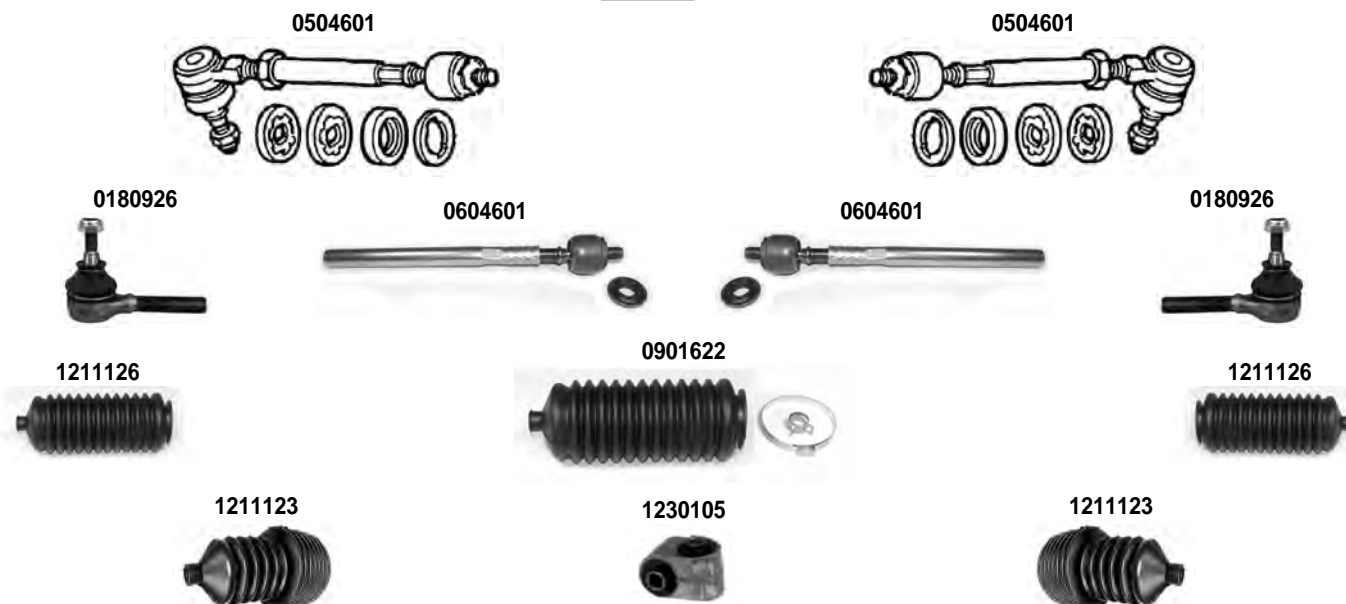
R 21

1986 > 1995

Asse Anteriore



Front Axle



i 1) STERZO MANUALE - MANUAL STEERING	2) SERVOSTERZO - POWER STEERING
--	--

OCAP	O.E.		i	
0180926	7701461141	TESTA STERZO TIE ROD END		RHT M14x1,5
0504601	7701464015	BARRA STERZO CON KIT TIE ROD WITH KIT ASSEMBLY		
0604601	7701467238 *	SNODO ASSIALE - CON KIT AXIAL JOINT - WITH KIT ASSEMBLY		RHT M14x1,5
0901622	7700678649 *	KIT CUFFIE STERZO STEERING GAITER KIT	1)	
1211123	7700706007	CUFFIA STERZO STEERING GAITER	2)	
1211126	7700678649	CUFFIA STERZO STEERING GAITER	1)	
1230105	7700687433	GIUNTO STERZO STEERING JOINT		

DESTRO
RIGHT



SINISTRO
LEFT

R 21		1986 > 1995
------	--	-------------

Asse Anteriore



Front Axle



OCAP	O.E.		
0400928	7701462182	SNODO SOSPENSIONE - INFERIORE BALL JOINT - LOWER	DIAM. 16 mm.
0780691	7700834450	BRACCIO OSCILLANTE - INFERIORE TRACK CONTROL ARM - LOWER	
0790691	7700834449	BRACCIO OSCILLANTE - INFERIORE TRACK CONTROL ARM - LOWER	
0901067	-	KIT RIPARAZIONE BRACCIO INFERIORE REPAIRING KIT CONTROL ARM LOWER	
1215300	7704000681	SILENTBLOCK BUSHING	
1215415	7700763932	BOCCOLA CENTRALE BARRA STABILIZZATRICE STABILIZING BAR CENTRAL BUSHING	
0400928-K	7701462182 *	SNODO SOSPENSIONE - INFERIORE CON KIT VITI E DADI M10 BALL JOINT LOWER - WITH SCREWS AND NUTS KIT M10	

DESTRO
RIGHT



SINISTRO
LEFT

R 21 DIESEL

1986 > 1995

Asse Anteriore



Front Axle



OCAP	O.E.		i	
0184610	7701464019 *	TESTA STERZO TIE ROD END		
0284611	-	TESTA STERZO TIE ROD END		
0294611	-	TESTA STERZO TIE ROD END		
0404612	7701464037	SNODO SOSPENSIONE INFERIORE SUSPENSION JOINT - LOWER		
0584611	7701624286	BARRA STERZO TIE ROD		
0594611	7701624287	BARRA STERZO TIE ROD		
0780733	7701641727	BRACCIO OSCILLANTE - INFERIORE TRACK CONTROL ARM - LOWER		
0790733	7701641726	BRACCIO OSCILLANTE - INFERIORE TRACK CONTROL ARM - LOWER		
0901067	-	KIT RIPARAZIONE BRACCIO INFERIORE REPAIRING KIT CONTROL ARM LOWER		
1215100	7700754515	SILENTBLOCK BUSHING		
1215134	7700772687	SILENTBLOCK BUSHING		
1215380	7700771562	BOCCOLA BARRA STABILIZZATRICE STABILIZING BAR BUSHING		
1215414	7700774026	BOCCOLA CENTRALE BARRA STABILIZZATRICE STABILIZING BAR CENTRAL BUSHING		
1230105	7700687433	GIUNTO STERZO STEERING JOINT		
0184610-K	7701464019	TESTA STERZO CON KIT TIE ROD END WITH KIT		

R 25

DESTRO
RIGHT



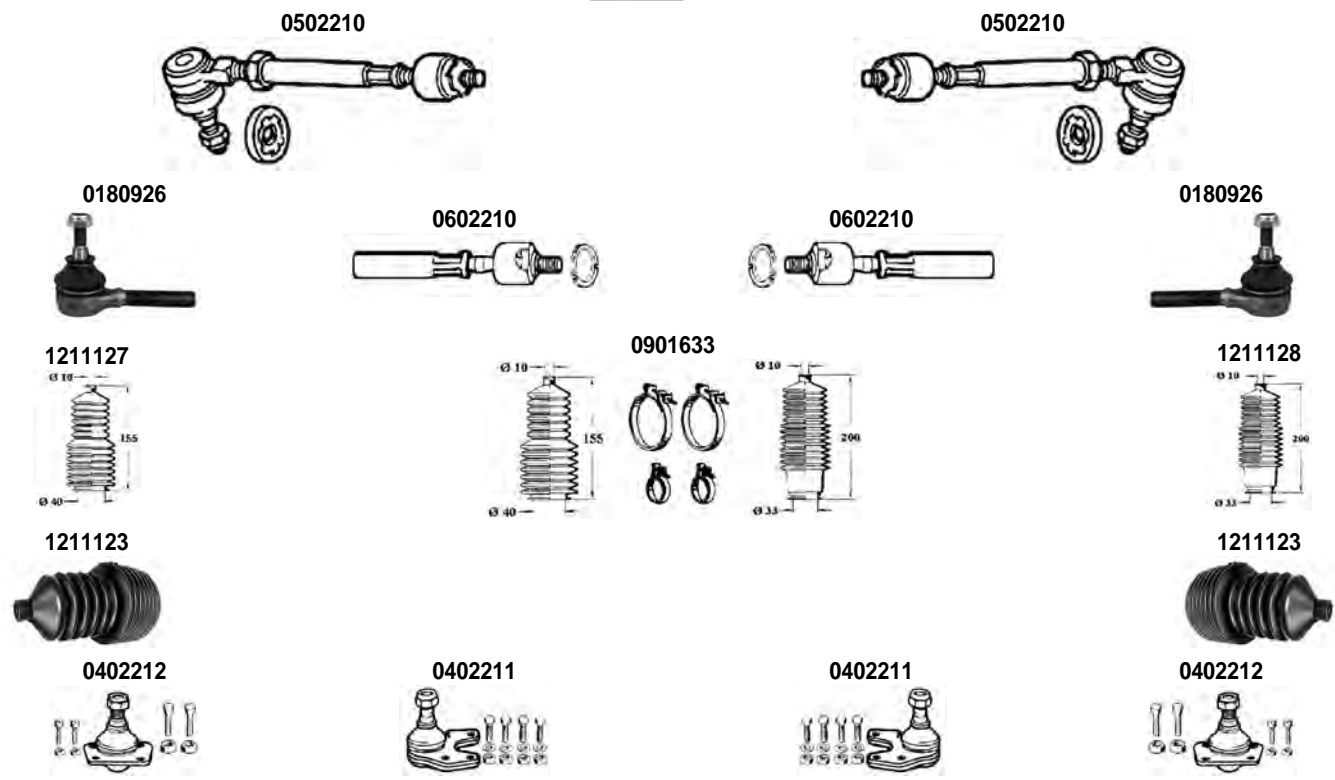
SINISTRO
LEFT

R 25	1984 >
------	--------

Asse Anteriore



Front Axle



i 1) STERZO MANUALE - MANUAL STEERING	2) SERVOSTERZO - POWER STEERING
--	---------------------------------

OCAP	O.E.		i	
0180926	7701461141	TESTA STERZO TIE ROD END		RHT M14x1,5
0402211	7701463230	SNODO SOSPENSIONE INFERIORE SUSPENSION JOINT - LOWER		
0402212	7701463229	SNODO SOSPENSIONE SUPERIORE SUSPENSION JOINT - UPPER		
0502210	7701463195	BARRA STERZO CON KIT TIE ROD WITH KIT ASSEMBLY		
0602210	-	SNODO ASSIALE - CON KIT AXIAL JOINT - WITH KIT ASSEMBLY		RHT M14x1,5
0901633	7700653459 **	KIT CUFFIE STERZO STEERING GAITER KIT	1)	
1211123	7700706007	CUFFIA STERZO STEERING GAITER	2)	
1211127	7700653459	CUFFIA STERZO STEERING GAITER	1)	
1211128	7700680852	CUFFIA STERZO STEERING GAITER	1)	

DESTRO
RIGHT



SINISTRO
LEFT

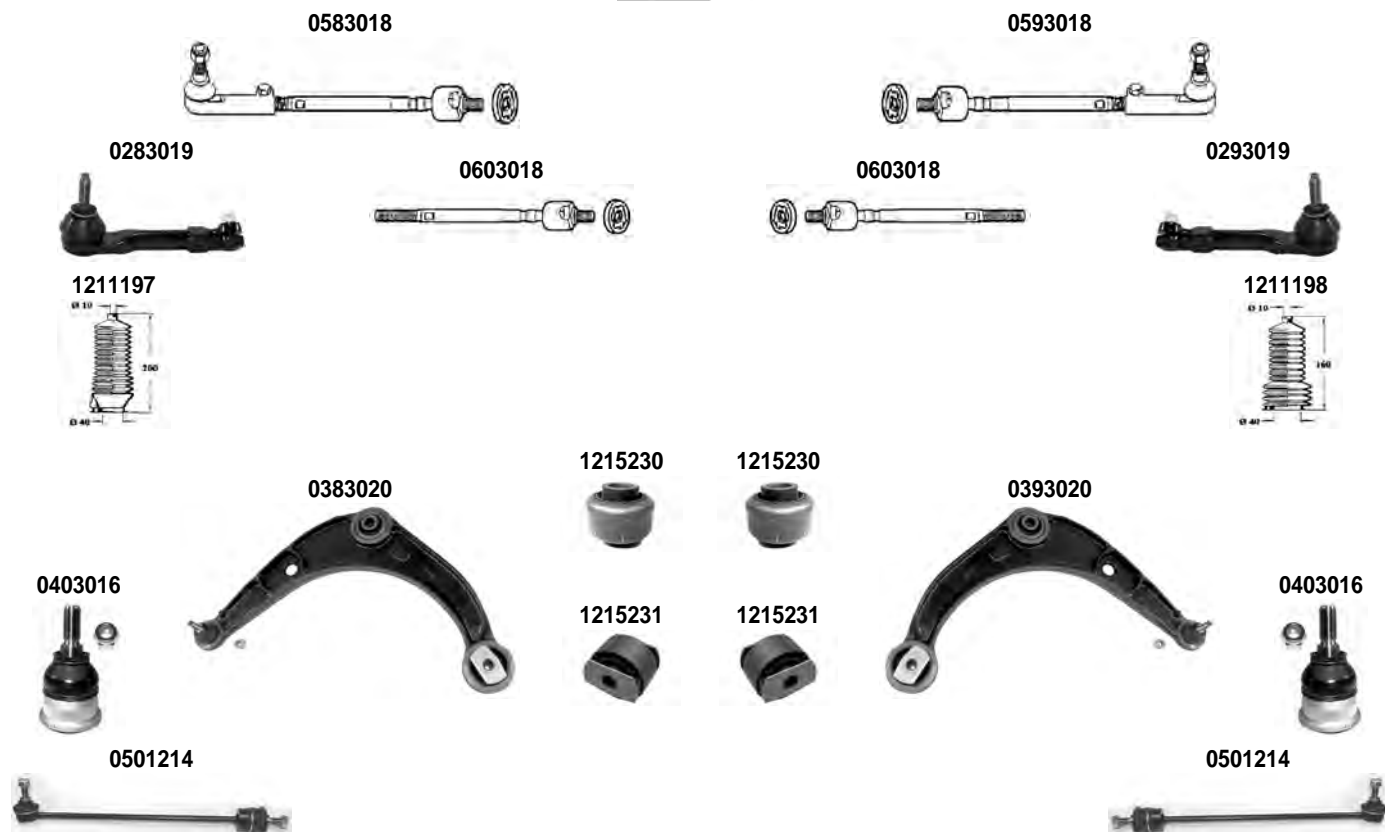
SAFRANE

1992 >

Asse Anteriore



Front Axle



OCAP	O.E.		i	
0283019	6000022715	TESTA STERZO TIE ROD END		RHT M14x1,5
0293019	6000022714	TESTA STERZO TIE ROD END		RHT M14x1,5
0383020	7700823581	BRACCIO OSCILLANTE TRACK CONTROL ARM		
0393020	7700823580	BRACCIO OSCILLANTE TRACK CONTROL ARM		
0403016	7700807194	SNODO SOSPENSIONE INFERIORE SUSPENSION JOINT - LOWER		
0501214	7700805494	STABILIZZATORE STABILIZER LINK		
0583018	7701466800	BARRA STERZO TIE ROD		
0593018	7701466799	BARRA STERZO TIE ROD		
0603018	-	SNODO ASSIALE AXIAL JOINT		RHT M14x1,5
1211197	6000025219	CUFFIA STERZO STEERING GAITER		
1211198	6000025218	CUFFIA STERZO STEERING GAITER		
1215230	7700806239	SILENTBLOCK CENTRALE CENTRAL BUSHING		
1215231	7700806238	SILENTBLOCK ESTREMO OUTER BUSHING		

DESTRO
RIGHT



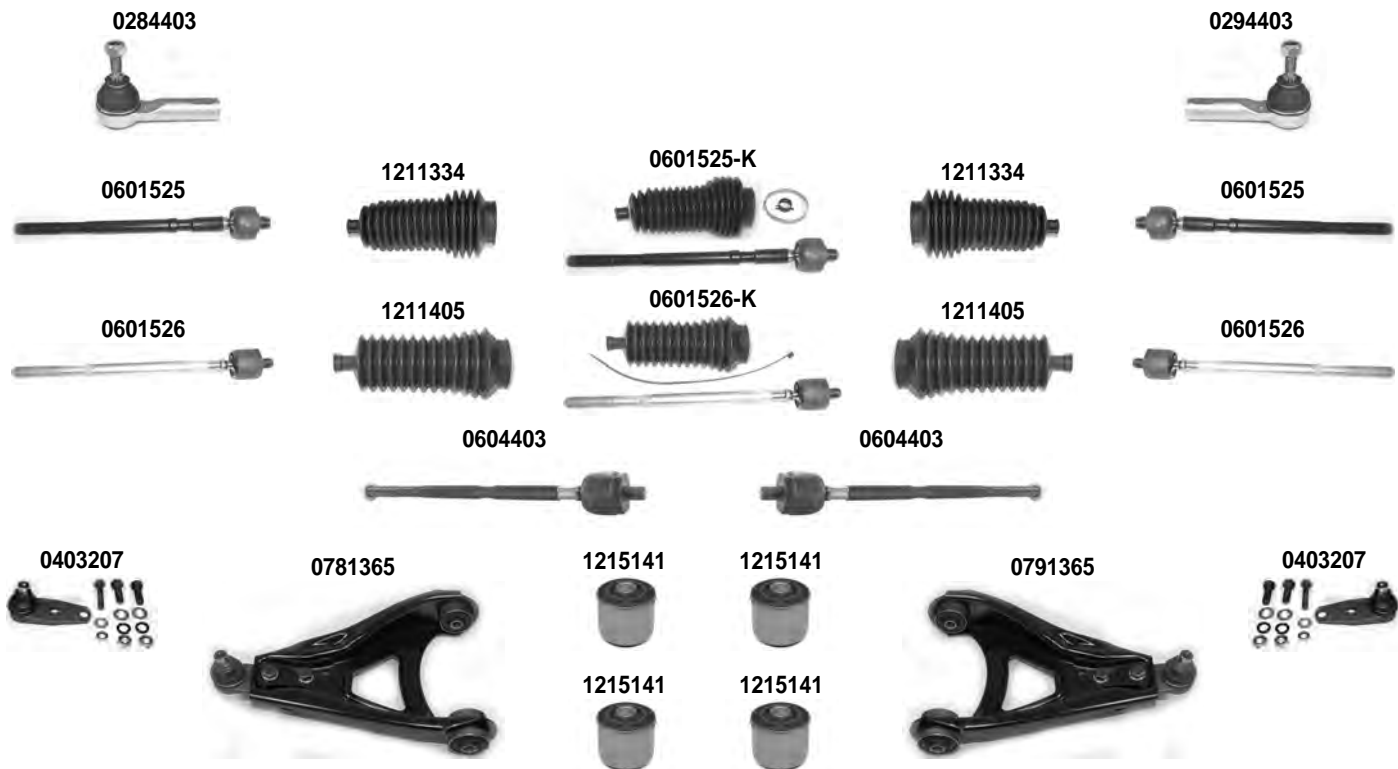
SINISTRO
LEFT

SCENIC I	JA0	09/1999 > 09/2003
----------	-----	-------------------

Asse Anteriore



Front Axle



i 1) SCATOLA GUIDA - STEERING BOX - TRW 3) MOD. 4X4 - RX4	2) SCATOLA GUIDA - STEERING BOX - SMI 4) ECCEPTE - EXCEPT: MOD. 4X4 - RX4
---	--

OCAP	O.E.		i	
0284403	7701475843	TESTA STERZO TIE ROD END		RHT M14x1,5
0294403	7701475842	TESTA STERZO TIE ROD END		RHT M14x1,5
0403207	7701468411	SNODO SOSPENSIONE INFERIORE SUSPENION JOINT LOWER	4)	
0601525	7701472087 *	SNODO ASSIALE AXIAL JOINT	1)	RHT M14x1,5
0601526	7701471844 *	SNODO ASSIALE AXIAL JOINT	2)	RHT M14x1,5
0604403	7701473443	SNODO ASSIALE AXIAL JOINT	3)	RHT M14x1,5
0781365	7700430832	BRACCIO OSCILLANTE INFERIORE TRACK CONTROL ARM LOWER	4)	
0791365	7700430831	BRACCIO OSCILLANTE INFERIORE TRACK CONTROL ARM LOWER	4)	
1211334	-	CUFFIA STERZO STEERING GAITER	1)	
1211405	-	CUFFIA STERZO STEERING GAITER	2)	
1215141	7700789477	SILENTBLOCK BUSHING	4)	
0601525-K	7701472087	KIT SNODO ASSIALE AXIAL JOINT KIT	1)	RHT M14x1,5
0601526-K	7701471844	KIT SNODO ASSIALE AXIAL JOINT KIT	2)	RHT M14x1,5

DESTRO
RIGHT

 SINISTRO
LEFT

SCENIC I

JA0

09/1999 > 09/2003

Asse Anteriore



Front Axle

0502359

1214258

1214258

0502359


i 3) MOD. 4X4 - RX4	4) ECCETTO - EXCEPT: MOD. 4X4 - RX4
----------------------------	-------------------------------------

OCAP	O.E.		i	
0502359	7700437136	STABILIZZATORE STABILIZER LINK	3)	
1214258	8200150759	SILENTBLOCK BARRA STABILIZZATRICE STABILIZING BAR BUSHING	4)	DIAM. 24,5 mm.

DESTRO
RIGHT



SINISTRO
LEFT

SCENIC II	JM	06/2003 >
-----------	----	-----------

Asse Anteriore

Front Axle



OCAP	O.E.		i	
0284170	7701474796	TESTA STERZO TIE ROD END		RHT M14x1,5
0294170	7701474795	TESTA STERZO TIE ROD END		RHT M14x1,5
0404173	401604793R	SNODO SOSPENSIONE SUSPENSION JOINT		DIAM. 18 mm.
0503898	8200166159	STABILIZZATORE STABILIZER LINK		
0604171	7701474448 *	SNODO ASSIALE AXIAL JOINT		RHT M14x1,5
0784173	8200298455	BRACCIO OSCILLANTE TRACK CONTROL ARM		
0794173	8200298454	BRACCIO OSCILLANTE TRACK CONTROL ARM		
0904171	7701474447	KIT CUFFIA STERZO STEERING GAITER KIT		
1211417	7701474447*	CUFFIA STERZO STEERING BOOT		
1214256	7701056678	SILENTBLOCK BARRA STABILIZZATRICE STABILIZING BAR BUSHING		DIAM. 19,5 mm.
1215688	8200242025	SILENTBLOCK CENTRALE CENTRAL BUSHING		
1215726	8200041166	SILENTBLOCK ESTREMO OUTER BUSHING		
1216218	8200742906	SILENTBLOCK ASSE AXLE BUSHING		
0604171-K	7701474448	KIT SNODO ASSIALE AXIAL JOINT KIT		RHT M14x1,5

DESTRO
RIGHT

 SINISTRO
LEFT

SCENIC III - GRAND SCENIC III

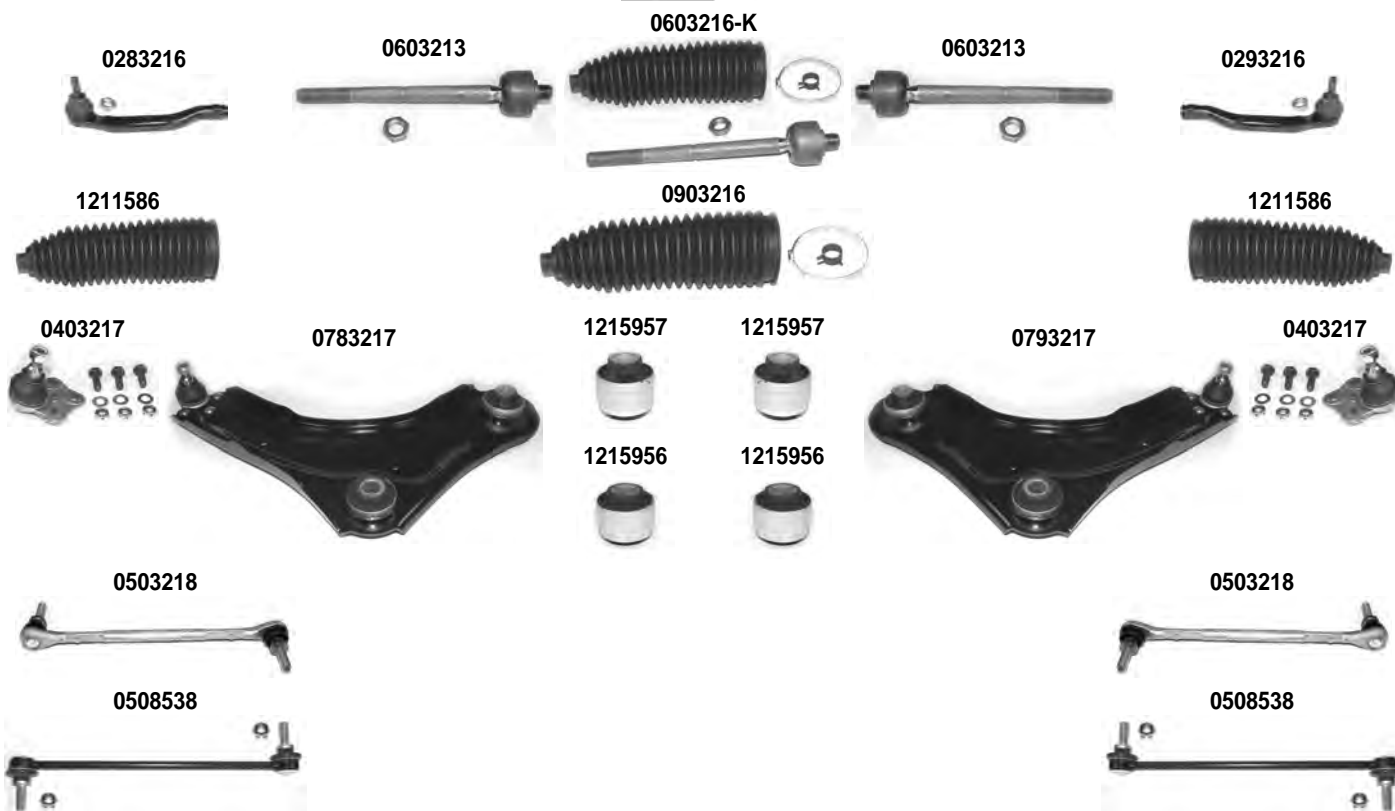
JZ0

02/2009 >

Asse Anteriore



Front Axle



i 1) VERSIONE IN ALLUMINIO - ALUMINIUM VERSION	2) VERSIONE IN ACCIAIO - STEEL VERSION
---	--

OCAP	O.E.		i	
0283216	485204680R	TESTA STERZO TIE ROD END		RHT M14x1,5
0293216	485202710R	TESTA STERZO TIE ROD END		RHT M14x1,5
0403217	545009207R *	SNODO SOSPENSIONE - INFERIORE - CON KIT BALL JOINT - LOWER - WITH KIT		
0503218	546180002R	STABILIZZATORE STABILIZER LINK	1)	
0508538	546180002R *	STABILIZZATORE STABILIZER LINK	2)	
0603213	7701478406 *	SNODO ASSIALE AXIAL JOINT		RHT M14x1,5
0783217	545009207R	BRACCIO OSCILLANTE - INFERIORE TRACK CONTROL ARM - LOWER		
0793217	545014055R	BRACCIO OSCILLANTE - INFERIORE TRACK CONTROL ARM - LOWER		
0903216	482036715R	KIT CUFFIE STERZO STEERING GAITER KIT		
1211586	482036715R *	CUFFIA STERZO STEERING BOOT		
1215956	545014055R	SILENTBLOCK CENTRALE CENTRAL BUSHING		
1215957	545600004R	SILENTBLOCK ESTREMO OUTER BUSHING		
0603216-K	485215612R	KIT SNODO ASSIALE AXIAL JOINT KIT		RHT M14x1,5

DESTRO
RIGHT



SINISTRO
LEFT

SCENIC IV GRAND SCENIC IV	J9 R9	09/2016 > 09/2016 >
------------------------------	----------	------------------------

Asse Anteriore



Front Axle



OCAP	O.E.		i	
0288500	485201340R	TESTA STERZO TIE ROD END		RHT M14x1,5
0298500	485206481R	TESTA STERZO TIE ROD END		RHT M14x1,5
0388503	545049671R	BRACCIO OSCILLANTE TRACK CONTROL ARM		
0398503	545056711R	BRACCIO OSCILLANTE TRACK CONTROL ARM		
0408503	545049671R *	SNODO SOSPENSIONE - INFERIORE BALL JOINT - LOWER		
0508505	546187005R	STABILIZZATORE - ACCIAIO STABILIZER LINK - STEEL		
0508682	546187005R *	STABILIZZATORE - ALLUMINIO STABILIZER LINK - ALUMINIUM		
0608501	485216564R	SNODO ASSIALE AXIAL JOINT		RHT M14x1,5
1216326	545605275R	SILENTBLOCK CENTRALE CENTRAL BUSHING		
1216328	545609807R	SILENTBLOCK ESTREMO OUTER BUSHING		

DESTRO
RIGHT

 SINISTRO
LEFT

SG2 - SG4

SAVIEM

Asse Anteriore



Front Axle

0181401

0400951

0400952

0191401

0401398

0401399

0191401




0401398

0401399

0181401

0400951

0400952


OCAP	O.E.			
0181401	7701013272	TESTA STERZO TIE ROD END		RHT M16x1,5
0191401	7701013276	TESTA STERZO TIE ROD END		LHT M16x1,5
0400951	5000246731	SNODO SOSPENSIONE - SUPERIORE SG2 SUSPENSION JOINT - UPPER		
0400952	5000246732	SNODO SOSPENSIONE - INFERIORE SG2 SUSPENSION JOINT - LOWER		
0401398	5000246729	SNODO SOSPENSIONE - SUPERIORE SG4 SUSPENSION JOINT - UPPER		
0401399	5000246730	SNODO SOSPENSIONE - INFERIORE SG4 SUSPENSION JOINT - LOWER		

DESTRO
RIGHT



SINISTRO
LEFT

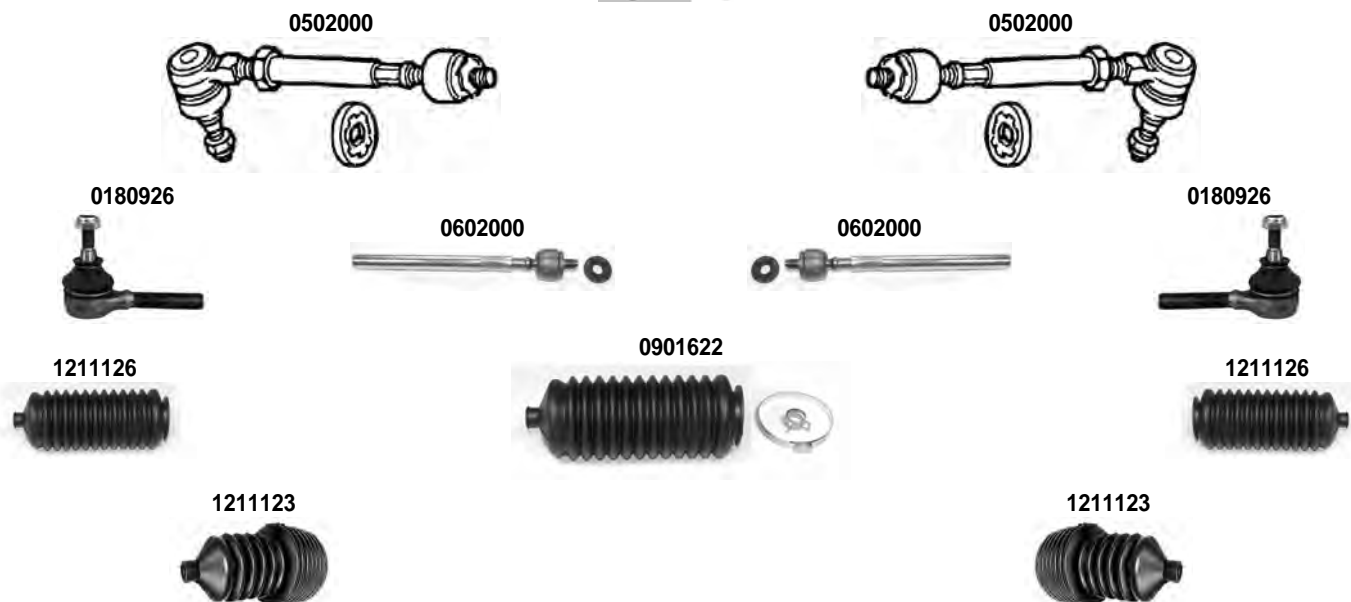
SUPER 5 - EXPRESS - EXTRA
RAPID (VAN) - RODEO

1985 >

Asse Anteriore



Front Axle



i 1) STERZO MANUALE - MANUAL STEERING	2) SERVOSTERZO - POWER STEERING
--	---------------------------------

OCAP	O.E.			
0180926	7701464151	TESTA STERZO TIE ROD END		RHT M14x1,5
0502000	7701463346	BARRA STERZO CON KIT TIE ROD WITH KIT ASSEMBLY		
0602000	7700759418	SNODO ASSIALE - CON KIT AXIAL JOINT - WITH KIT ASSEMBLY		RHT M14x1,5
0901622	7700678649 *	KIT CUFFIE STERZO STEERING GAITER KIT	1)	
1211123	7700706007	CUFFIA STERZO STEERING GAITER	2)	
1211126	7700678649	CUFFIA STERZO STEERING GAITER	1)	

DESTRO
RIGHT

 SINISTRO
LEFT

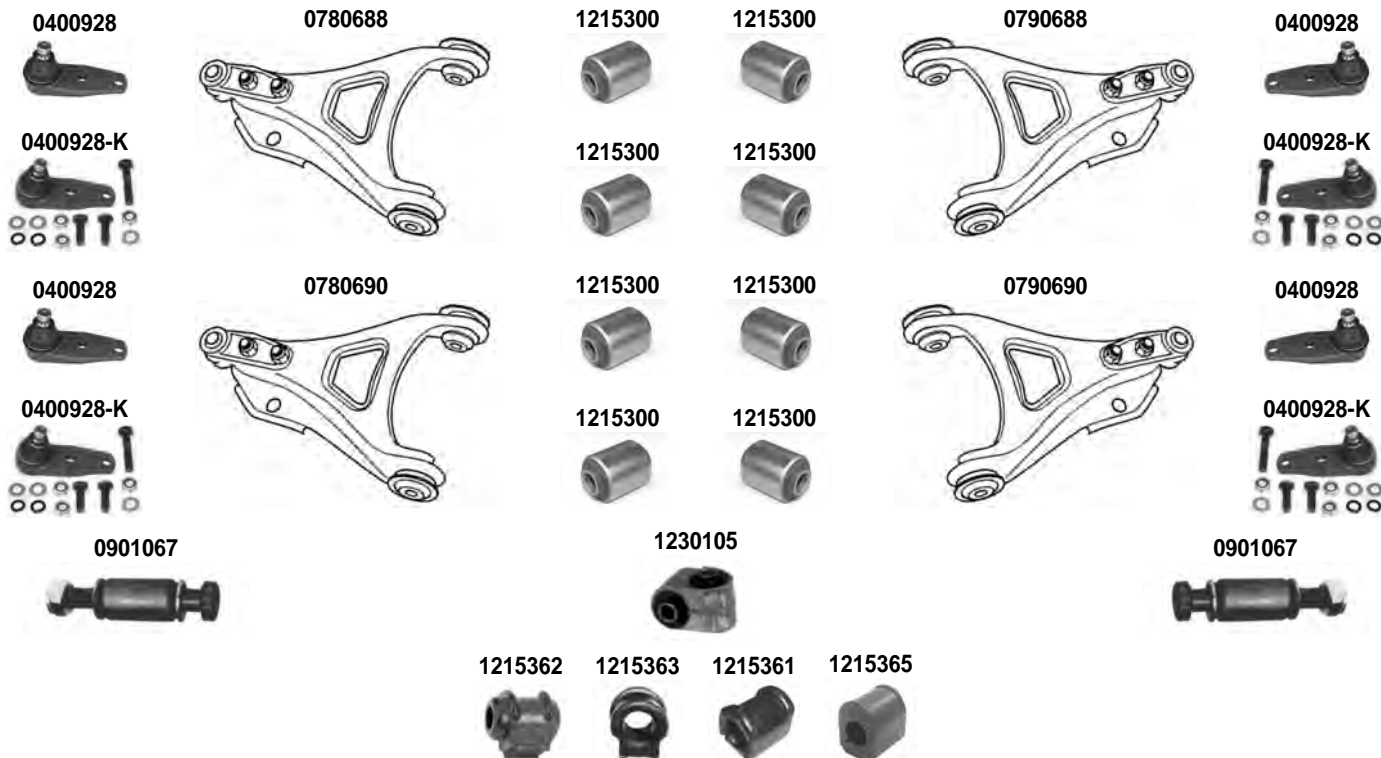
**SUPER 5 - EXPRESS - EXTRA
RAPID (VAN) - RODEO**

1985 >

Asse Anteriore



Front Axle



i 3) SOLO PER - ONLY FOR : MOD. GT TURBO 5) II SERIE - II SERIES	4) I SERIE - I SERIES
--	-----------------------

OCAP	O.E.		i	
0400928	7701462182	SNODO SOSPENSIONE - INFERIORE BALL JOINT - LOWER		DIAM. 16 mm.
0780688	7700783456	BRACCIO OSCILLANTE - INFERIORE TRACK CONTROL ARM - LOWER		
0780690	6001021455	BRACCIO OSCILLANTE - INFERIORE TRACK CONTROL ARM - LOWER	3)	
0790688	7700783455	BRACCIO OSCILLANTE - INFERIORE TRACK CONTROL ARM - LOWER		
0790690	6001021454	BRACCIO OSCILLANTE - INFERIORE TRACK CONTROL ARM - LOWER	3)	
0901067	-	KIT RIPARAZIONE BRACCIO INFERIORE REPAIRING KIT CONTROL ARM LOWER		
1215300	7704000681	SILENTBLOCK BUSHING		
1215361	7700763934	BOCCOLA BARRA STABILIZZATRICE STABILIZING BAR BUSHING	4)	
1215362	7700760265	BOCCOLA BARRA STABILIZZATRICE STABILIZING BAR BUSHING		DIAM. 22 mm.
1215363	7700693154	BOCCOLA BARRA STABILIZZATRICE TIPO APERTO STABILIZING BAR BUSHING OPEN TYPE		
1215365	7700789815	BOCCOLA BARRA STABILIZZATRICE STABILIZING BAR BUSHING	5)	
1230105	7700687433	GIUNTO STERZO STEERING JOINT		
0400928-K	7701462182 *	SNODO SOSPENSIONE - INFERIORE CON KIT VITI E DADI M10 BALL JOINT LOWER - WITH SCREWS AND NUTS KIT M10		

DESTRO
RIGHT

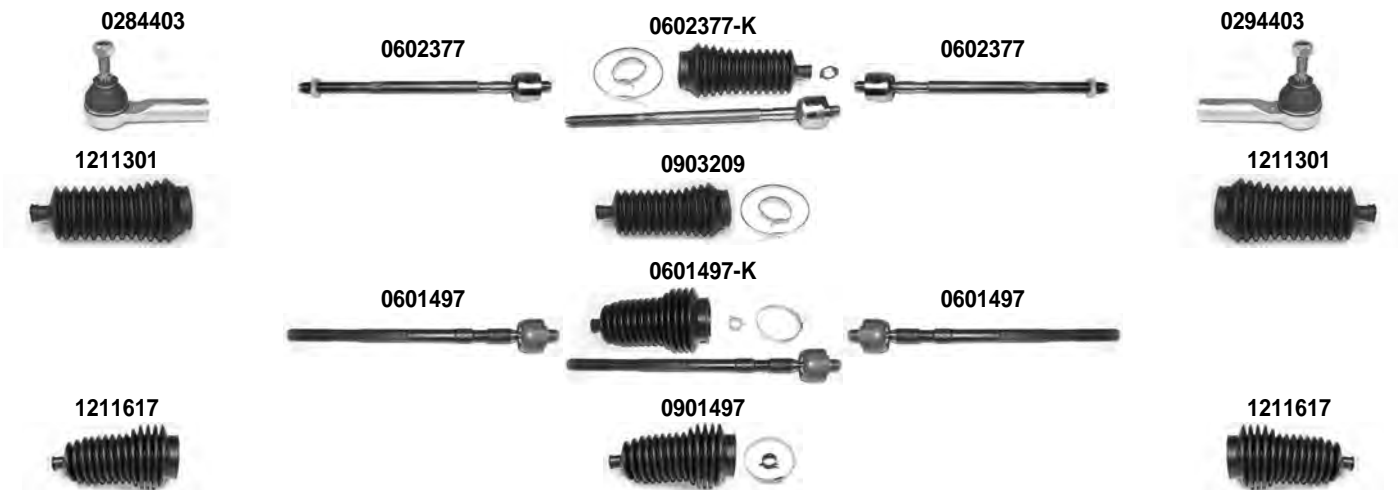


SINISTRO
LEFT

THALIA I - SYMBOL I THALIA II - SYMBOL II	LBO LU 1/2	02/1998 > 09/2008 >
--	---------------	------------------------

Asse Anteriore

Front Axle



i 1) SMI	2) TRW
-----------------	--------

OCAP	O.E.		i	
0284403	7701475843	TESTA STERZO TIE ROD END		RHT M14x1,5
0294403	7701475842	TESTA STERZO TIE ROD END		RHT M14x1,5
0601497	7701472735 *	SNODO ASSIALE AXIAL JOINT	2)	L = 311 mm.
0602377	7701472120 *	SNODO ASSIALE AXIAL JOINT	1)	L = 301 mm.
0901497	7701471141	KIT CUFFIE STERZO STEERING GAITER KIT	2)	
0903209	7701469496	KIT CUFFIE STERZO STEERING GAITER KIT	1)	
1211301	7701469496 *	CUFFIA STERZO STEERING GAITER	1)	
1211617	7701471141*	CUFFIA STERZO STEERING GAITER	2)	
0601497-K	7701472735	KIT SNODO ASSIALE AXIAL JOINT KIT	2)	L = 311 mm.
0602377-K	7701472120	KIT SNODO ASSIALE AXIAL JOINT KIT	1)	L = 301 mm.

DESTRO
RIGHT

 SINISTRO
LEFT

 THALIA I - SYMBOL I
THALIA II - SYMBOL II

 LBO
LU 1/2

 02/1998 >
09/2008 >

Asse Anteriore



Front Axle



i 3) SERIE - SERIES: LBO	4) SERIE - SERIES: LU 1/2
---------------------------------	---------------------------

OCAP	O.E.		
0400928	7701462182	SNODO SOSPENSIONE - INFERIORE BALL JOINT LOWER	3)
0403207	7701468411	SNODO SOSPENSIONE INFERIORE - CON KIT VITI E DADI M12 BALL JOINT LOWER - WITH SCREWS AND NUTS M12 KIT	4)
0783145	8200197189	BRACCIO OSCILLANTE - CON VITI SNODO M12 COMPLETE TRACK CONTROL ARM SCREWS M12	4)
0783209	8200197187	BRACCIO OSCILLANTE - INFERIORE TRACK CONTROL ARM - LOWER	3)
0793145	8200197181	BRACCIO OSCILLANTE - CON VITI SNODO M12 COMPLETE TRACK CONTROL ARM SCREWS M12	4)
0793209	8200197179	BRACCIO OSCILLANTE - INFERIORE TRACK CONTROL ARM - LOWER	3)
0901340	7700799404	STABILIZZATORE STABILIZER LINK	
1214101	7700785788	SILENTBLOCK BARRA STABILIZZATRICE STABILIZING BAR BUSHING	DIAM. 23 mm.
1215313	7700424399	SILENTBLOCK BUSHING	
0400928-K	7701462182 *	SNODO SOSPENSIONE - INFERIORE CON KIT VITI E DADI M10 BALL JOINT LOWER - WITH SCREWS AND NUTS KIT M10	3)

THALIA III - SYMBOL III

DESTRO
RIGHT



SINISTRO
LEFT

THALIA III - SYMBOL III	L8	12/2013 >
-------------------------	----	-----------

Asse Anteriore

Front Axle



OCAP	O.E.		
0282450	6001550443	TESTA STERZO TIE ROD END	RHT M14x1,5
0292450	6001547610	TESTA STERZO TIE ROD END	RHT M14x1,5
0408099	545004529R *	SNODO SOSPENSIONE - INFERIORE BALL JOINT - LOWER	
0608099	485213172R	SNODO ASSIALE AXIAL JOINT	RHT M14x1,5
0788099	545001064R	BRACCIO OSCILLANTE - INFERIORE TRACK CONTROL ARM - LOWER	
0798099	545017081R	BRACCIO OSCILLANTE - INFERIORE TRACK CONTROL ARM - LOWER	
0902453	8200277960	STABILIZZATORE STABILIZER LINK	
0908099	485213172R *	KIT CUFFIA STERZO STEERING GAITER KIT	RHT M14x1,5
1215800	6040002245	SILENTBLOCK BUSHING	

DESTRO
RIGHT



SINISTRO
LEFT

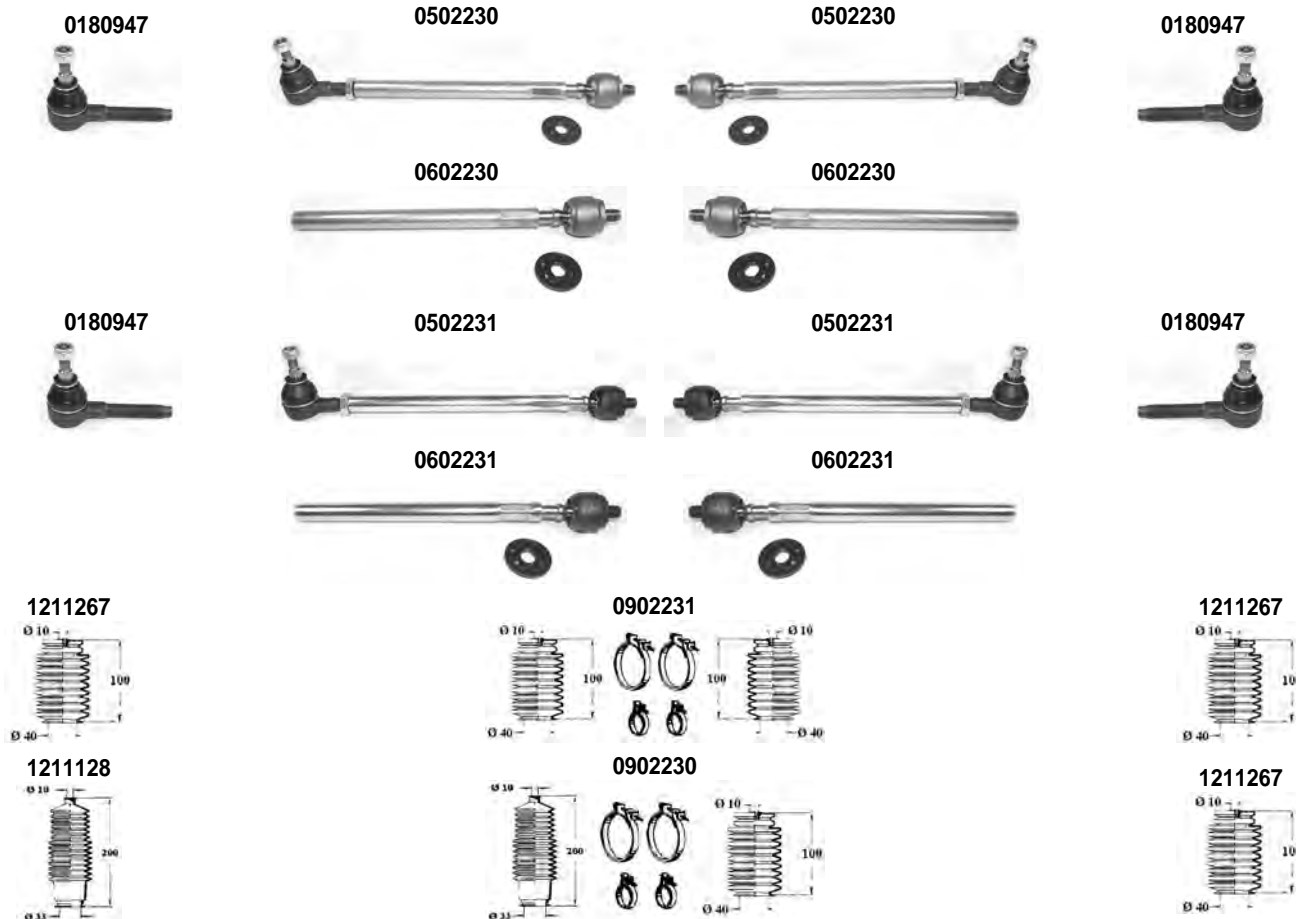
TRAFIC

1980 > 1998

Asse Anteriore



Front Axle



i	1) > 09/1981	2) 10/1981 >
	3) STERZO MANUALE - MANUAL STEERING	4) > 1989
	5) 1989 >	

OCAP	O.E.		i	
0180947	7701461770	TESTA STERZO TIE ROD END		RHT M14x1,5
0502230	7701463035	BARRA STERZO CON KIT TIE ROD WITH KIT ASSEMBLY	1)	
0502231	7701462987	BARRA STERZO CON KIT TIE ROD WITH KIT ASSEMBLY	2)	
0602230	-	SNODO ASSIALE - CON KIT AXIAL JOINT - WITH KIT ASSEMBLY	1)	RHT M14x1,5
0602231	-	SNODO ASSIALE - CON KIT AXIAL JOINT - WITH KIT ASSEMBLY		RHT M14x1,5
0902230	7700680852 *	KIT CUFFIE STERZO STEERING GAITER KIT	3) 5)	
0902231	7700774566 *	KIT CUFFIE STERZO STEERING GAITER KIT	3) 4)	
1211128	7700680852	CUFFIA STERZO STEERING GAITER	3) 5)	
1211267	7700774566	CUFFIA STERZO STEERING GAITER	3) 4)	

DESTRO
RIGHT



SINISTRO
LEFT

TRAFIC		1980 > 1998
--------	--	-------------

Asse Anteriore



Front Axle

1211123



1211123



0402235



1214252





1214254



0402235



i 6) SERVOSTERZO - POWER STEERING

OCAP	O.E.		i	
0402235	7701461667	SNODO SOSPENSIONE INFERIORE SUSPENSION JOINT - LOWER		
1211123	7700706007	CUFFIA STERZO STEERING GAITER	6)	
1214252	7700667186	SILENTBLOCK BARRA STABILIZZATRICE STABILIZING BAR BUSHING		DIAM. 25,5 mm.
1214254	7704001091	SILENTBLOCK BARRA STABILIZZATRICE STABILIZING BAR BUSHING		DIAM. 20,5 mm.

DESTRO
RIGHT

 SINISTRO
LEFT

TRAFIC

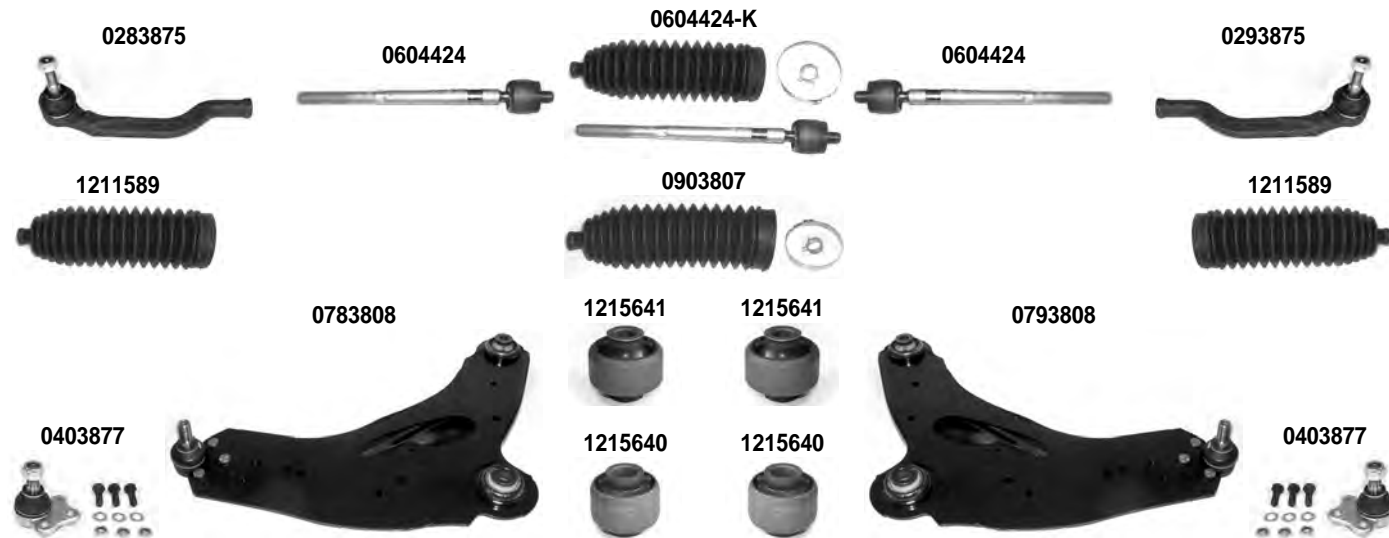
II

03/2001 > 2014

Asse Anteriore



Front Axle


i 1) > 10/2006

OCAP	O.E.		i	
0283875	7701049283	TESTA STERZO TIE ROD END		RHT M14x1,5
0293875	7701049282	TESTA STERZO TIE ROD END		RHT M14x1,5
0403877	7701476576	SNODO SOSPENSIONE - INFERIORE BALL JOINT - LOWER	1)	
0604424	7701473333 *	SNODO ASSIALE AXIAL JOINT		
0783808	8200247900	BRACCIO OSCILLANTE - INFERIORE TRACK CONTROL ARM - LOWER	1)	
0793808	8200247898	BRACCIO OSCILLANTE - INFERIORE TRACK CONTROL ARM - LOWER	1)	
0903807	7701473334	KIT CUFFIA STERZO STEERING GAITER KIT		
1211589	7701473334 *	CUFFIA STERZO STEERING GAITER		
1215640	8200002868	SILENTBLOCK CENTRALE CENTRAL BUSHING		DIAM. 18/55 mm.
1215641	8200002869	SILENTBLOCK ESTREMO OUTER BUSHING		DIAM. 15/58 mm.
0604424-K	7701473333	KIT SNODO ASSIALE AXIAL JOINT KIT		

DESTRO
RIGHT



SINISTRO
LEFT

TRAFIC	II	03/2001 > 2014
--------	----	----------------

Asse Anteriore



Front Axle



i 2) 11/2006 >

OCAP	O.E.		i	
0384627	8200876657	BRACCIO OSCILLANTE - INFERIORE TRACK CONTROL ARM - LOWER	2)	
0394627	8200876659	BRACCIO OSCILLANTE - INFERIORE TRACK CONTROL ARM - LOWER	2)	
0404627	7701477385	SNODO SOSPENSIONE - INFERIORE BALL JOINT - LOWER	2)	
0503878	8200002870	STABILIZZATORE STABILIZER LINK		
1215640	8200002868	SILENTBLOCK CENTRALE CENTRAL BUSHING		DIAM. 18/55 mm.
1215641	8200002869	SILENTBLOCK ESTREMO OUTER BUSHING		DIAM. 15/58 mm.

DESTRO
RIGHT

 SINISTRO
LEFT

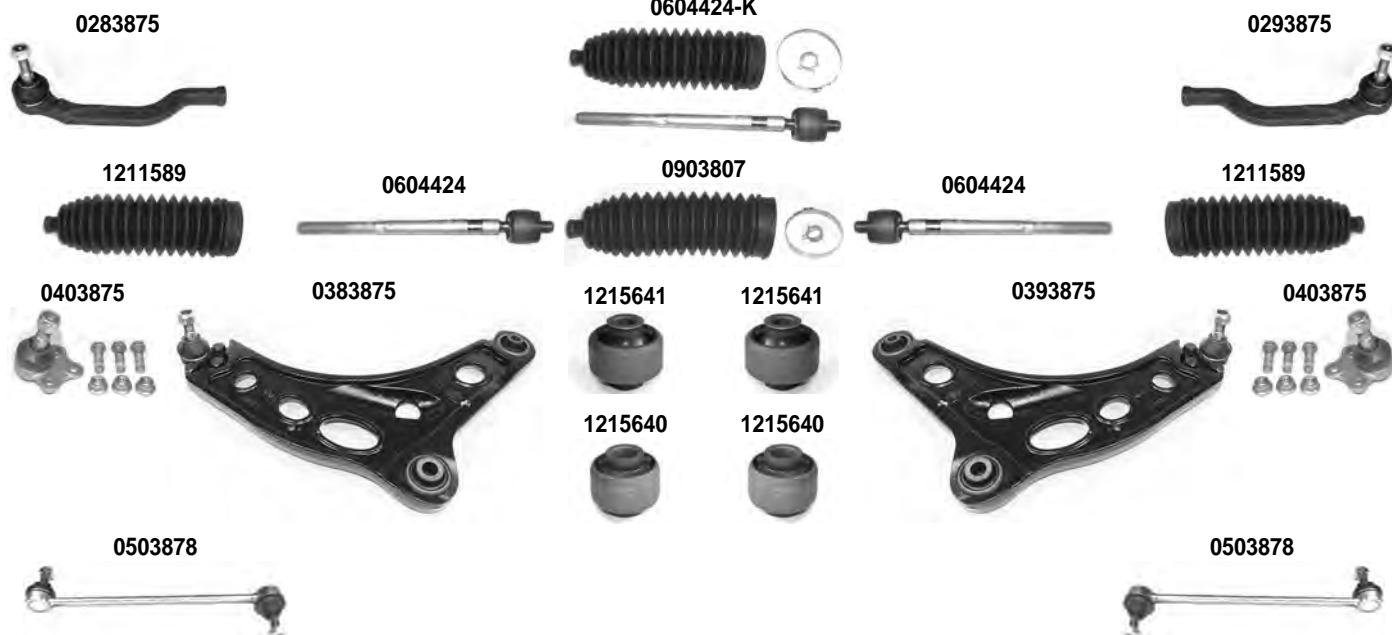
TRAFIC

III

05/2014 >

Asse Anteriore

Front Axle



OCAP	O.E.		i	
0283875	7701049283	TESTA STERZO TIE ROD END		
0293875	7701049282	TESTA STERZO TIE ROD END		
0383875	545006069R	BRACCIO OSCILLANTE - INFERIORE TRACK CONTROL ARM - LOWER		
0393875	545019956R	BRACCIO OSCILLANTE - INFERIORE TRACK CONTROL ARM - LOWER		
0403875	545006069R*	SNODO SOSPENSIONE - INFERIORE BALL JOINT - LOWER		
0503878	8200002870	STABILIZZATORE STABILIZER LINK		
0604424	7701473333 *	SNODO ASSIALE AXIAL JOINT		
0903807	7701473334	KIT CUFFIA STERZO STEERING GAITER KIT		
1211589	7701473334 *	CUFFIA STERZO STEERING GAITER		
1215640	8200002868	SILENTBLOCK CENTRALE CENTRAL BUSHING		DIAM. 18/55 mm.
1215641	8200002869	SILENTBLOCK ESTREMO OUTER BUSHING		DIAM. 15/58 mm.
0604424-K	7701473333	KIT SNODO ASSIALE AXIAL JOINT KIT		

DESTRO
RIGHT



SINISTRO
LEFT

TWINGO

1993 >

Asse Anteriore



Front Axle



i 1) > 12/1999	2) 01/2000 >
-----------------------	--------------

OCAP	O.E.		i	
0280367	6000022731	TESTA STERZO TIE ROD END	1)	RHT M14x1,5
0281524	7701474493	TESTA STERZO TIE ROD END	2)	RHT M14x1,5
0290367	6000022730	TESTA STERZO TIE ROD END	1)	RHT M14x1,5
0291524	7701474492	TESTA STERZO TIE ROD END	2)	RHT M14x1,5
0580369	7701467219	BARRA STERZO TIE ROD	1)	
0590369	7701467218	BARRA STERZO TIE ROD	1)	
0600368	7701469517	SNODO ASSIALE AXIAL JOINT	1)	RHT M14x1,5
0601524	7701473498	SNODO ASSIALE AXIAL JOINT	2)	RHT M14x1,5
0901622	7700678649 *	KIT CUFFIE STERZO STEERING GAITER KIT		
1211126	7700678649	CUFFIA STERZO STEERING GAITER		

DESTRO
RIGHT



SINISTRO
LEFT

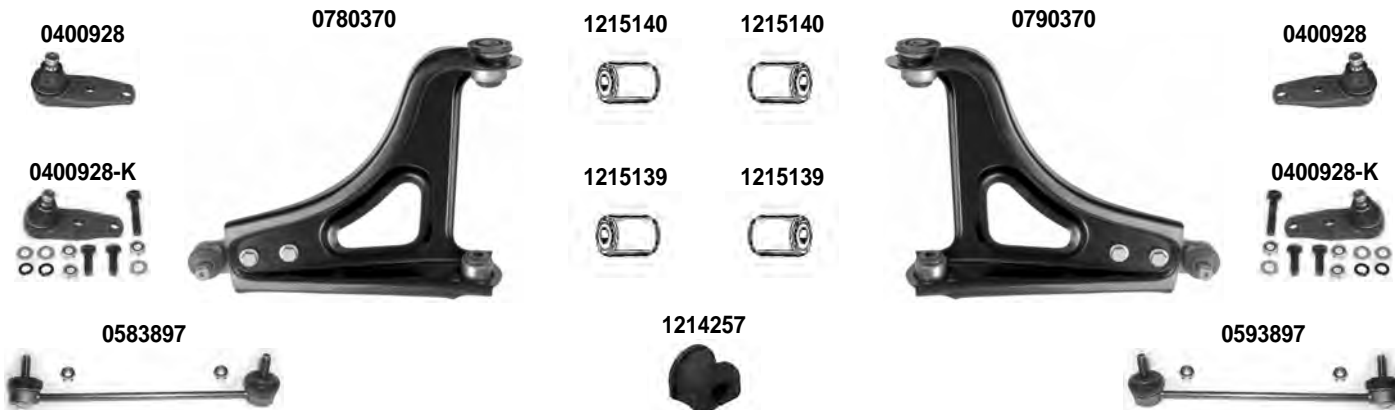
TWINGO

1993 >

Asse Anteriore



Front Axle



OCAP	O.E.		
0400928	7701462182	SNODO SOSPENSIONE - INFERIORE <i>BALL JOINT - LOWER</i>	DIAM. 16 mm.
0583897	8200050191	STABILIZZATORE <i>STABILIZER LINK</i>	
0593897	8200040618	STABILIZZATORE <i>STABILIZER LINK</i>	
0780370	7700820029	BRACCIO OSCILLANTE - INFERIORE <i>TRACK CONTROL ARM - LOWER</i>	
0790370	7700820028	BRACCIO OSCILLANTE - INFERIORE <i>TRACK CONTROL ARM - LOWER</i>	
1214257	8200024373	SILENTBLOCK BARRA STABILIZZATRICE <i>STABILIZING BAR BUSHING</i>	DIAM. 16 mm.
1215139	7700819929	SILENTBLOCK CENTRAL <i>CENTRAL BUSHING</i>	
1215140	7700819928	SILENTBLOCK ESTREMO <i>OUTER BUSHING</i>	
0400928-K	7701462182 *	SNODO SOSPENSIONE INFERIORE CON KIT VITI E DADI M10 <i>BALL JOINT LOWER - WITH SCREWS AND NUTS KIT M10</i>	

DESTRO
RIGHT



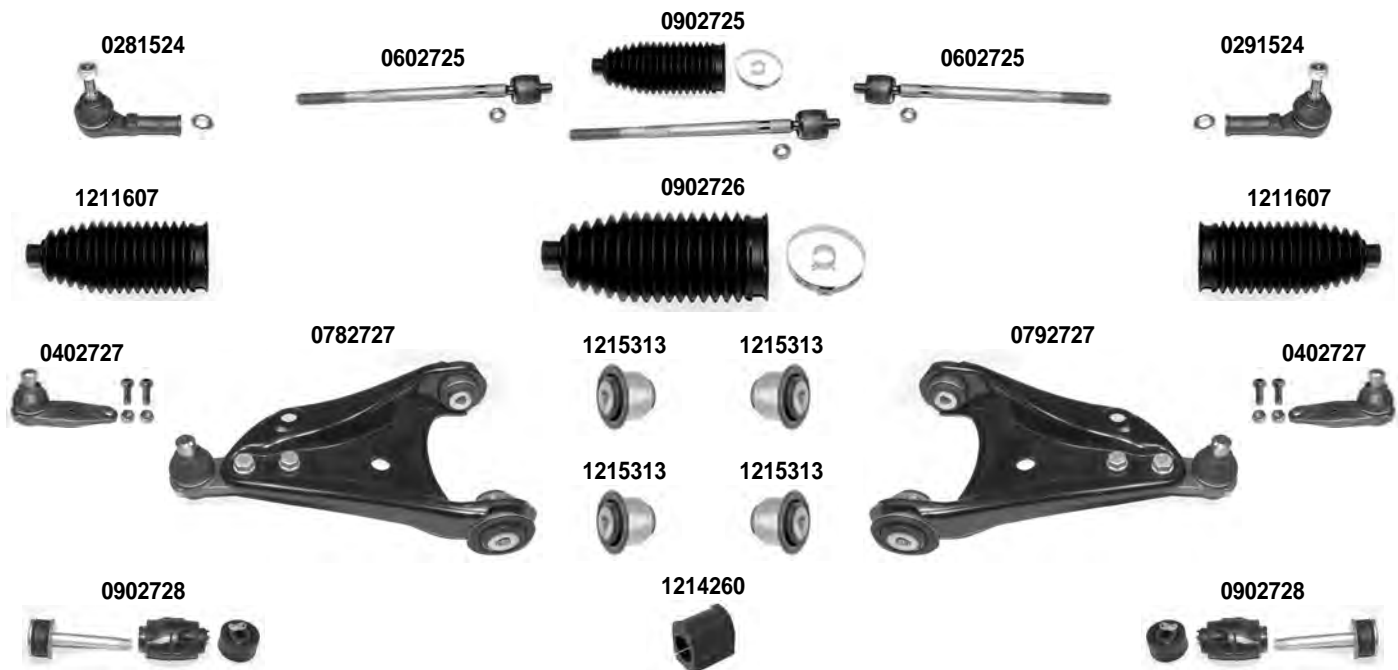
SINISTRO
LEFT

TWINGO II

03/2007 > 2014

Asse Anteriore

Front Axle



OCAP	O.E.			
0281524	7701474493	TESTA STERZO TIE ROD END		RHT M14x1,5
0291524	7701474492	TESTA STERZO TIE ROD END		RHT M14x1,5
0402727	8200763296 *	SNODO SOSPENSIONE BALL JOINT		
0602725	7701477878 *	SNODO ASSIALE AXIAL JOINT		
0782727	8200763296	BRACCIO OSCILLANTE TRACK CONTROL ARM		
0792727	8200763301	BRACCIO OSCILLANTE TRACK CONTROL ARM		
0902725	7701477878	KIT SNODO ASSIALE AXIAL JOINT KIT		
0902726	7701477822	KIT CUFFIA STERZO STEERING GAITER KIT		
0902728	8200603492	KIT STABILIZZATORE STABILIZER LINK		
1211607	7701477822 *	CUFFIA STERZO STEERING GAITER		
1214260	8200554863	SILENTBLOCK BARRA STABILIZZATRICE STABILIZING BAR BUSHING		DIAM. 24 mm.
1215313	7700418941	SILENTBLOCK BUSHING		

DESTRO
RIGHT



SINISTRO
LEFT

TWINGO III

09/2014 >

Asse Anteriore



Front Axle



Asse Posteriore



Rear Axle



OCAP	O.E.		
0285770	485208910R	TESTA STERZO TIE ROD END	RHT M14x1,5
0295770	485204628R	TESTA STERZO TIE ROD END	RHT M14x1,5
0405770	545047654R *	SNODO SOSPENSIONE - INFERIORE LOWER SUSPENSION JOINT	
0505770	546181179R	STABILIZZATORE STABILIZER LINK	
0605770	485215653 *	SNODO ASSIALE AXIAL JOINT	RHT M14x1,5
0705770	555C35270R	BRACCIO SOSPENSIONE SUSPENSION ARM	
0785770	545047654R	BRACCIO OSCILLANTE TRACK CONTROL ARM	
0795770	545057345R	BRACCIO OSCILLANTE TRACK CONTROL ARM	
1216254	545047654R **	SILENTBLOCK BUSHING	
1216255	545057345R **	SILENTBLOCK BUSHING	

DESTRO
RIGHT



SINISTRO
LEFT

ALLEGRO - REGENT

1973 > 1982

Asse Anteriore



Front Axle

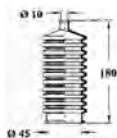
0280702



0280702



1211160



1211160



0900706



0402050



0402050



i 1) 1979 > 1982

OCAP	O.E.		i	
0280702	8G8625	R H D-L H D TESTA STERZO TIE ROD END		RHT 1/2"x 20 UNF
0402050	21H181	SNODO SOSPENSIONE SUSPENSION JOINT	1)	
0900706	GSJ167	KIT SOSPENSIONE SUSPENSION KIT		
1211160	13H3101	CUFFIA STERZO STEERING GAITER		

DESTRO
RIGHT

 SINISTRO
LEFT

FX4 - > CH. 66662	TAXI	1959 > 1973
FX4 - CH. 66663 >	TAXI	1973 > 1985
FAIRWAY	TAXI	1985 > 1989
FAIRWAY DRIVER	TAXI	1989 > 1999

Asse Anteriore



Front Axle

0500116



0180115



0190115



0500116



0180440



0190440



0409200



0409201



0409201



0409200



i	1) > 1973	2) > 1985
	3) 1973 >	4) 1973 > 1989

OCAP	O.E.		i	
0180115	GSJ161	TESTA STERZO TIE ROD END	1)	
0180440	JHM2168	TESTA STERZO TIE ROD END	3)	RHT M18x1,5
0190115	GSJ162	TESTA STERZO TIE ROD END	1)	
0190440	JHM2167	TESTA STERZO TIE ROD END	3)	LHT M18x1,5
0409200	602672	SNODO SOSPENSIONE - SUPERIORE SUSPENSION JOINT - UPPER	4)	
0409201	602673	SNODO SOSPENSIONE - INFERIORE SUSPENSION JOINT - LOWER	4)	
0500116	1B6363	BARRA STERZO TIE ROD	1)	

TAXI

DESTRO
RIGHT



SINISTRO
LEFT

TAXI	LTI TX	01/1997 >
------	--------	-----------

Asse Anteriore



Front Axle

0180440



0190440



0409200



0489261



0499261



0409200



OCAP	O.E.			
0180440	JHM2168	TESTA STERZO TIE ROD END		RHT M18x1,5
0190440	JHM2167	TESTA STERZO TIE ROD END		LHT M18x1,5
0409200	602672	SNODO SOSPENSIONE - SUPERIORE BALL JOINT - UPPER		
0489261	604154	SNODO SOSPENSIONE - INFERIORE BALL JOINT - LOWER		
0499261	604153	SNODO SOSPENSIONE - INFERIORE BALL JOINT - LOWER		

DESTRO
RIGHT



SINISTRO
LEFT

**MAESTRO
MONTEGO**

1983 >
1984 >

Asse Anteriore



Front Axle

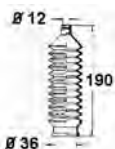
0281635



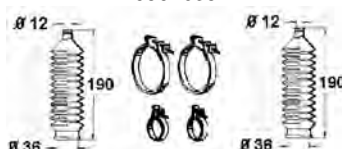
0281635



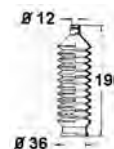
1211157



0901639



1211157



i 1) 11/1984 >

OCAP	O.E.		i	
0281635	GSJ194	TESTA STERZO TIE ROD END		RHT M 12x1,25
0901639	BAU2363 *	KIT CUFFIA STERZO STEERING GAITER KIT	1)	
1211157	BAU2363	CUFFIA STERZO STEERING GAITER	1)	

DESTRO
RIGHT



SINISTRO
LEFT

METRO

1981 > 1990

Asse Anteriore

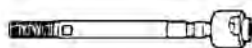


Front Axle

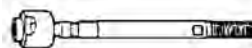
0280702



0600253



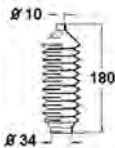
0600253



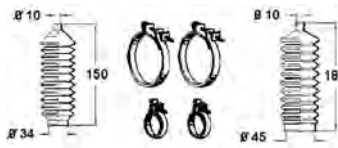
0280702



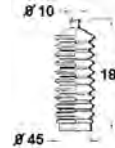
1211158



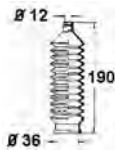
0901640



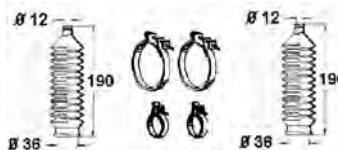
1211159



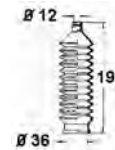
1211157



0901639



1211157



0400254



0400255



0400255



0400254



0400256



0404169



0404169



0400256



i 1) > 10/1984 3) VECCHIA SERIE - OLD SERIES	2) 11/1984 > 4) NUOVA SERIE - NEW SERIES
--	---

OCAP	O.E.		i	
0280702	GSJ190	TESTA STERZO TIE ROD END		RHT 1/2" x20 UNF
0400254	GSJ268	SNODO SOSPENSIONE - SUPERIORE-INFERIORE SUSPENSION JOINT - UPPER-LOWER	1)	
0400255	GSJ269	SNODO SOSPENSIONE - SUPERIORE-INFERIORE SUSPENSION JOINT - UPPER-LOWER	2)	
0400256	FAM9594	SNODO SOSPENSIONE SUSPENSION JOINT	3)	
0404169	GSV1212	SNODO SOSPENSIONE SUSPENSION JOINT	4)	
0600253	BAU1819	SNODO ASSIALE AXIAL JOINT		RHT 1/2" x20
0901639	BAU2363 *	KIT CUFFIA STERZO STEERING GAITER KIT	2)	
0901640	34001732 *	KIT CUFFIA STERZO STEERING GAITER KIT	1)	
1211157	BAU2363	CUFFIA STERZO STEERING GAITER	2)	
1211158	34001732	CUFFIA STERZO STEERING GAITER	1)	
1211159	34782322	CUFFIA STERZO STEERING GAITER	1)	

DESTRO
RIGHT



SINISTRO
LEFT

METRO

1981 > 1990

Asse Posteriore



Rear Axle

0403896

0403896



i 4) NUOVA SERIE - NEW SERIES

OCAP	O.E.		i	
0403896	GSV1217	SNODO SOSPENSIONE SUSPENSION JOINT	4)	

DESTRO
RIGHT



SINISTRO
LEFT

MINI	MK I	1967 >
-------------	-------------	------------------

Asse Anteriore



Front Axle

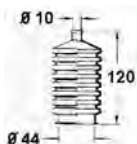
0280702



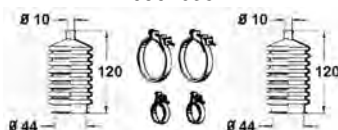
0280702



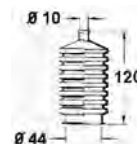
1211156



0901638



1211156



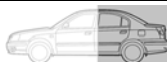
0401218



0401218



Asse Posteriore



Rear Axle

0401218



0401218



OCAP	O.E.			
0280702	GSJ100	TESTA STERZO TIE ROD END		RHT 1/2"x 20 UNF
0401218	21A1163	SNODO SOSPENSIONE SUSPENSION JOINT		
0901638	BMH7113 *	KIT CUFFIE STERZO STEERING GAITER KIT		
1211156	BMH7113	CUFFIA STERZO STEERING GAITER		

DESTRO
RIGHT



SINISTRO
LEFT

SHERPA

1974 >

Asse Anteriore



Front Axle

0182050



0192050



OCAP	O.E.			
0182050	GSJ182	TESTA STERZO TIE ROD END		RHT 3/4"x16 UNF
0192050	GSJ183	TESTA STERZO TIE ROD END		LHT 3/4"x16 UNF

DESTRO
RIGHT



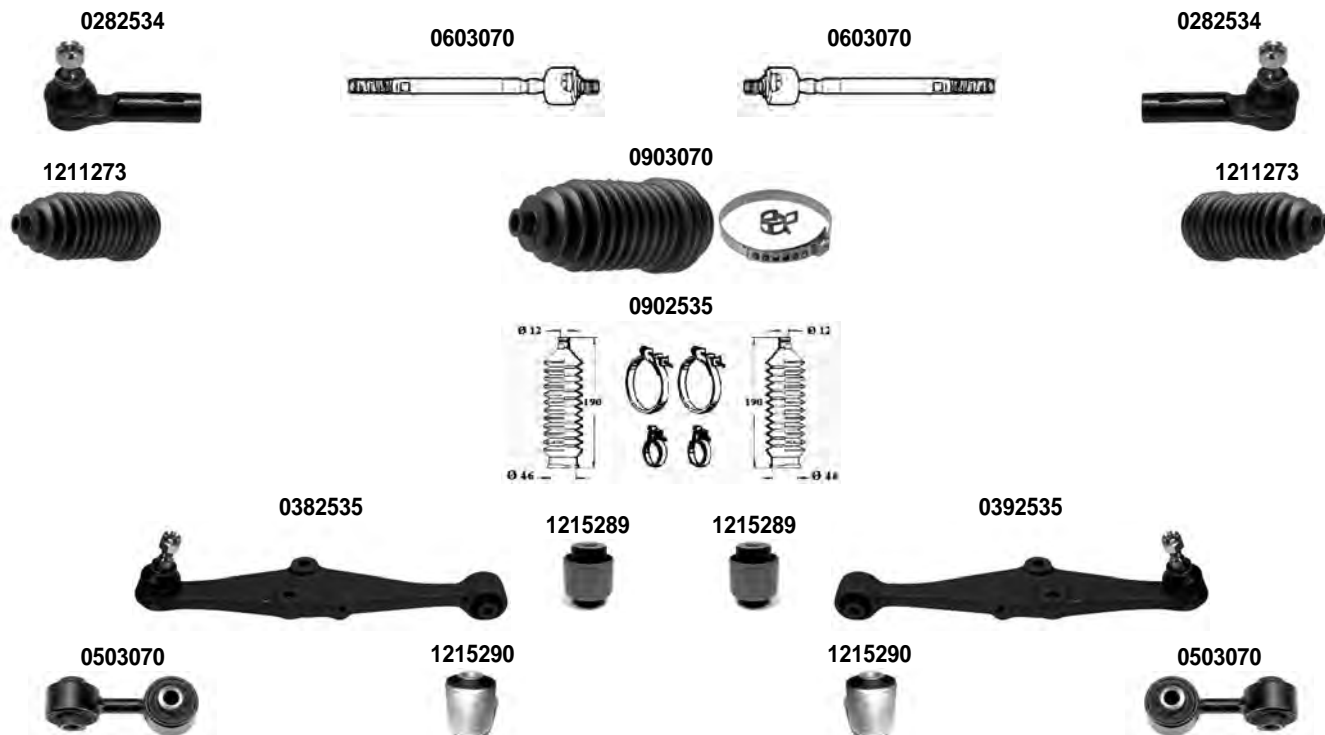
SINISTRO
LEFT

TOURER	400	1994 > 11/1998
---------------	-----	----------------

Asse Anteriore



Front Axle



i 1) > 12/1995	2) 1996 >
-----------------------	-----------

OCAP	O.E.		i	
0282534	GSJ288	TESTA STERZO TIE ROD END		RHT M14x1,5
0382535	GSJ287	BRACCIO OSCILLANTE TRACK CONTROL ARM		
0392535	GSJ286	BRACCIO OSCILLANTE TRACK CONTROL ARM		
0503070	EGP1662	STABILIZZATORE STABILIZER LINK		
0603070	GSV1170	SNODO ASSIALE AXIAL JOINT		RHT M14x1,5
0902535	GRG1153	KIT CUFFIE STERZO STEERING GAITER KIT	2)	
0903070	GSV1141	KIT CUFFIE STERZO STEERING GAITER KIT	1)	
1211273	-	CUFFIA STERZO STEERING GAITER	1)	
1215289	EGP1673	SILENTBLOCK BUSHING		
1215290	EGP1664	SILENTBLOCK STABILIZZATORE STABILIZER LINK BUSHING		

DESTRO
RIGHT

SINISTRO
LEFT



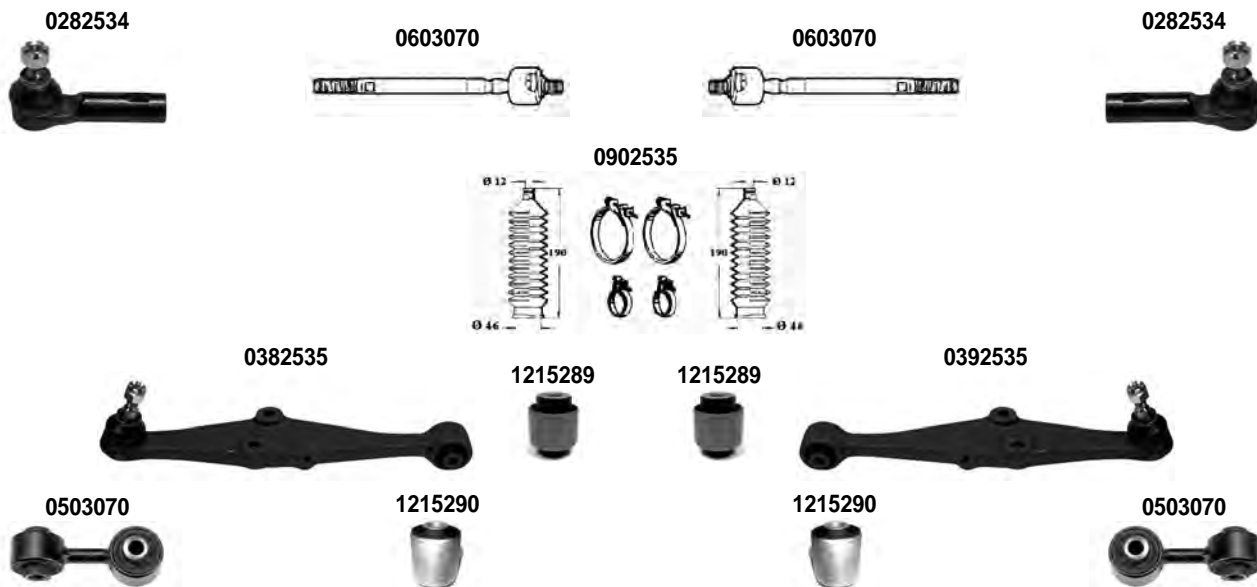
TOURER

400

1996 >

Asse Anteriore

Front Axle



i 1) MOD. DIESEL

OCAP	O.E.		i	
0282534	GSJ826	TESTA STERZO TIE ROD END		RHT M14x1,5
0382535	GSJ414	BRACCIO OSCILLANTE TRACK CONTROL ARM		
0392535	GSJ413	BRACCIO OSCILLANTE TRACK CONTROL ARM		
0503070	EGP1662	STABILIZZATORE STABILIZER LINK		
0603070	GSV1170	SNODO ASSIALE AXIAL JOINT	1)	RHT M14x1,5
0902535	GRG1153	KIT CUFFIA STERZO STEERING GAITER KIT		
1215289	EGP1673	SILENTBLOCK BUSHING		
1215290	EGP1664	SILENTBLOCK STABILIZZATORE STABILIZER LINK BUSHING		

111 - 112 - 114

DESTRO
RIGHT



SINISTRO
LEFT

111 - 112 - 114		1990 >
-----------------	--	--------

Asse Anteriore

Front Axle



0282528



0282529



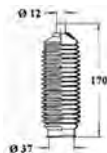
0282529



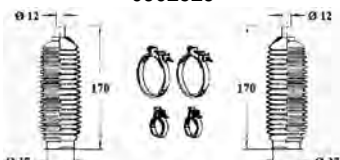
0282528



1211268



0902529



1211268



i 1) PNEUMATICI 155 - RADIAL TYRES 155	2) PNEUMATICI 185 - RADIAL TYRES 185
---	---

OCAP	O.E.		i	
0282528	GSJ733	TESTA STERZO TIE ROD END	1)	RHT M12x1,25
0282529	GSJ732	TESTA STERZO TIE ROD END	2)	RHT M12x1,25
0902529	GSV1161 *	KIT CUFFIE STERZO STEERING GAITER KIT		
1211268	GSV1161	CUFFIA STERZO STEERING GAITER		

DESTRO
RIGHT

 SINISTRO
LEFT

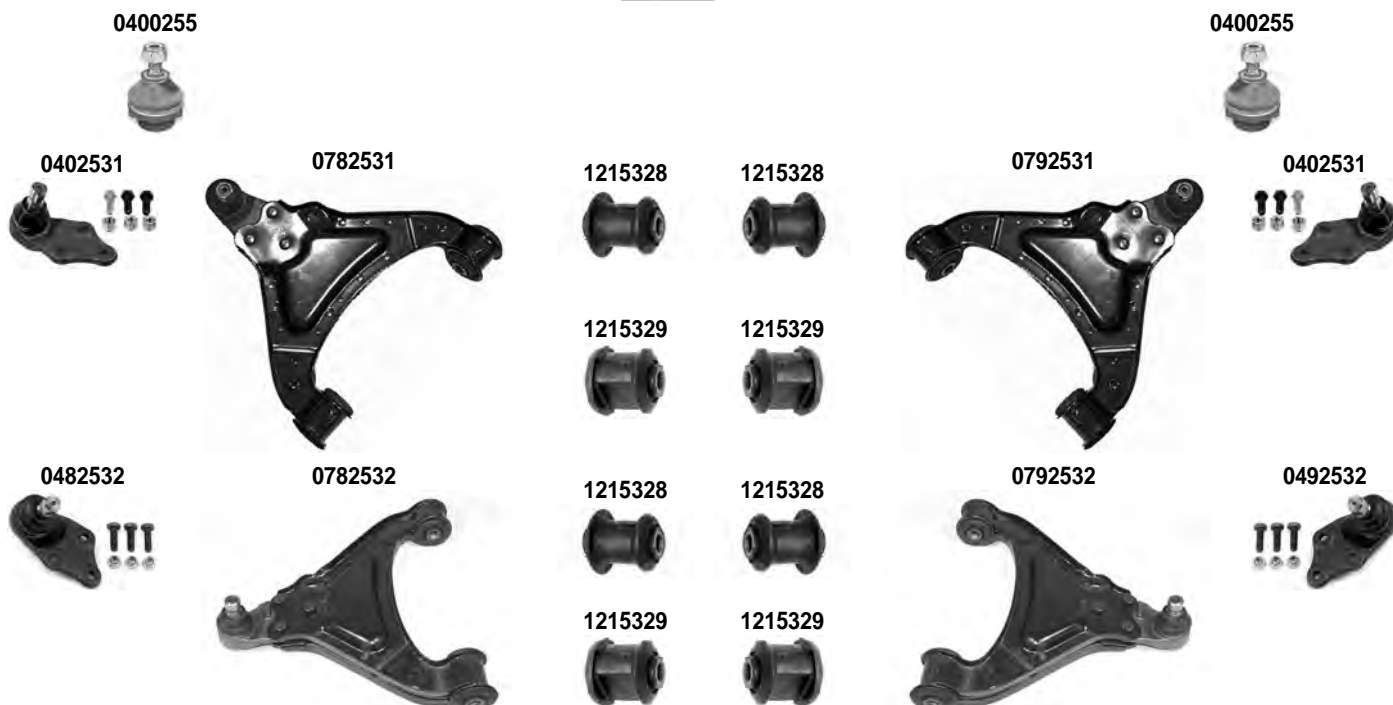
111 - 112 - 114

1990 >

Asse Anteriore



Front Axle



i 1) PNEUMATICI 155 - RADIAL TYRES 155	2) PNEUMATICI 185 - RADIAL TYRES 185
---	--------------------------------------

OCAP	O.E.		i	
0400255	GSJ269	SNODO SOSPENSIONE - SUPERIORE SUSPENSION JOINT - UPPER		
0402531	GSJ729	SNODO SOSPENSIONE - INFERIORE SUSPENSION JOINT - LOWER	1)	
0482532	GSJ730	SNODO SOSPENSIONE - INFERIORE SUSPENSION JOINT - LOWER	2)	
0492532	GSJ731	SNODO SOSPENSIONE - INFERIORE SUSPENSION JOINT - LOWER	2)	
0782531	GSJ416	BRACCIO OSCILLANTE TRACK CONTROL ARM	1)	
0782532	GSJ418	BRACCIO OSCILLANTE - INFERIORE TRACK CONTROL ARM - LOWER	2)	
0792531	GSJ415	BRACCIO OSCILLANTE TRACK CONTROL ARM	1)	
0792532	GSJ417	BRACCIO OSCILLANTE - INFERIORE TRACK CONTROL ARM - LOWER	2)	
1215328	RBX10025	SILENTBLOCK BUSHING		
1215329	RBX10026	SILENTBLOCK BUSHING		

2000 > 3500

DESTRO
RIGHT



SINISTRO
LEFT

2000 > 3500

SD1

1977 > 1986

Asse Anteriore



Front Axle

0280818



0280818



OCAP	O.E.			
0280818	GSJ206	TESTA STERZO TIE ROD END		RHT 5/8" x 18

DESTRO
RIGHT

 SINISTRO
LEFT

213 SE - 216/VITESSE EFI

1984 > 1989

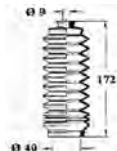
Asse Anteriore

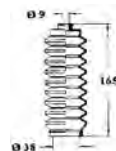


Front Axle

0284612

0284612

1211269

0904612

1211270

0783333

0793333


OCAP	O.E.			
0284612	GSJ226	TESTA STERZO TIE ROD END		RHT M12x1,25
0783333	GSJ227	BRACCIO OSCILLANTE TRACK CONTROL ARM		
0793333	GSJ228	BRACCIO OSCILLANTE TRACK CONTROL ARM		
0904612	DBP7474 *	KIT CUFFIE STERZO STEERING GAITER KIT		
1211269	DBP7474	CUFFIA STERZO STEERING GAITER		
1211270	LHM3003	CUFFIA STERZO STEERING GAITER		

DESTRO
RIGHT



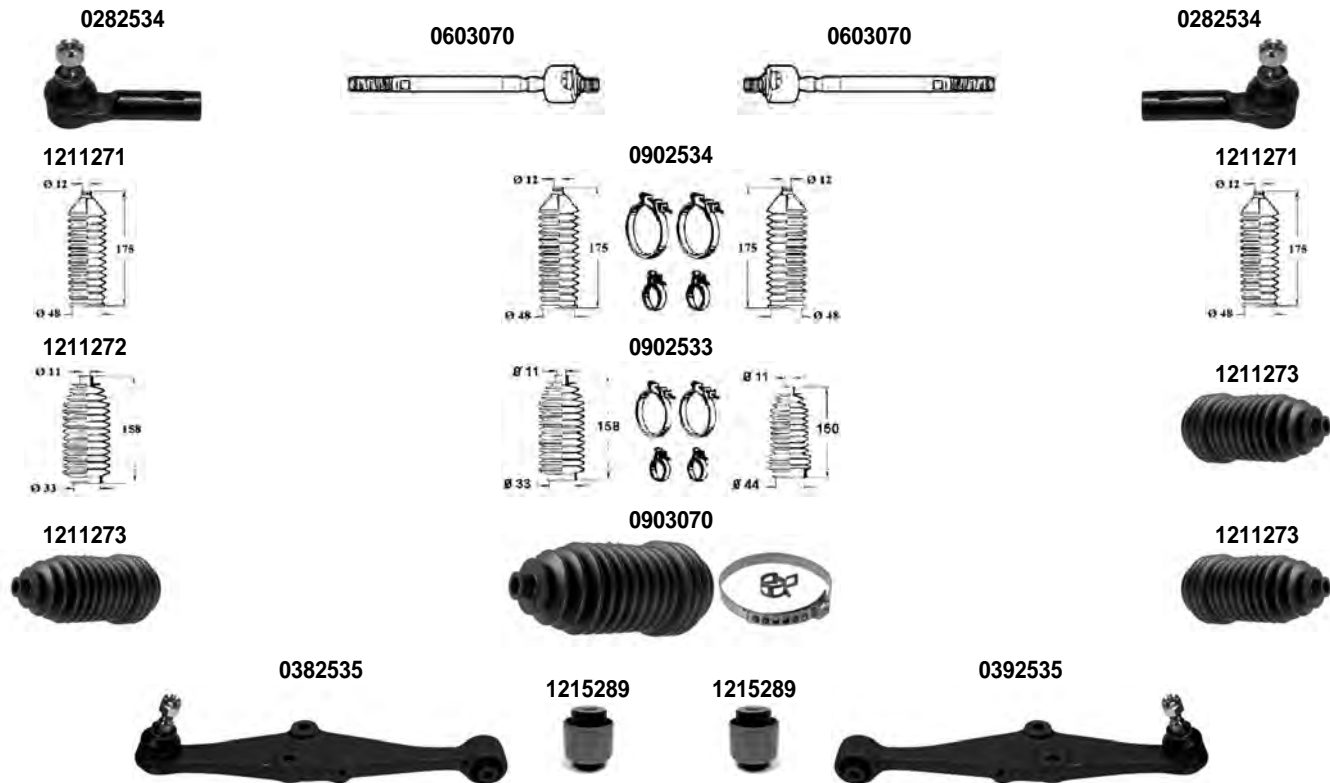
SINISTRO
LEFT

214 > 220 414 > 420	200 400	1989 > 2000 1989 > 1997
------------------------	------------	----------------------------

Asse Anteriore



Front Axle



i 1) SOLO PER - ONLY FOR : MOD. 214-220 3) SOLO PER - ONLY FOR:- MOD. 414-420	2) STERZO MANUALE - MANUAL STEERING 4) SERVOSTERZO - POWER STEERING
---	--

OCAP	O.E.		i	
0282534	GSJ288	TESTA STERZO TIE ROD END		RHT M14x1,5
0382535	GSJ287	BRACCIO OSCILLANTE TRACK CONTROL ARM		
0392535	GSJ286	BRACCIO OSCILLANTE TRACK CONTROL ARM		
0603070	GSV1170	SNODO ASSIALE AXIAL JOINT		RHT M14x1,5
0902533	GSV1140	KIT CUFFIE STERZO STEERING GAITER KIT	2) 3)	
0902534	GSV1079	KIT CUFFIE STERZO STEERING GAITER KIT	1)	
0903070	GSV1141	KIT CUFFIE STERZO STEERING GAITER KIT	3) 4)	
1211271	GSV1079 *	CUFFIA STERZO STEERING GAITER	1)	
1211272	GSV1140 *	CUFFIA STERZO STEERING GAITER	2) 3)	
1211273	-	CUFFIA STERZO STEERING GAITER	2) 3)	
1215289	EGP1673	SILENTBLOCK BUSHING		

DESTRO
RIGHT

 SINISTRO
LEFT

25

2000 >

Asse Anteriore



Front Axle

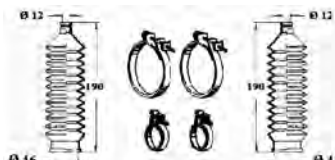
0282534



0282534



0902535



0382535



1215289



1215289



0392535



0503070



1215290



1215290



0503070



OCAP	O.E.			
0282534	GSJ1011	TESTA STERZO TIE ROD END		
0382535	GSJ1085	BRACCIO OSCILLANTE TRACK CONTROL ARM		
0392535	GSJ1086	BRACCIO OSCILLANTE TRACK CONTROL ARM		
0503070	EGP1662	STABILIZZATORE STABILIZER LINK		
0902535	GRG1153	KIT CUFFIA STERZO STEERING GAITER KIT		
1215289	EGP1673	SILENTBLOCK BUSHING		
1215290	EGP1664	SILENTBLOCK STABILIZZATORE STABILIZER LINK BUSHING		

DESTRO
RIGHT



SINISTRO
LEFT

45 414 > 420	400	2000 > 1997 > 2000
-----------------	-----	-----------------------

Asse Anteriore Front Axle



OCAP	O.E.			
0280283	GSJ496	TESTA STERZO TIE ROD END		
0290283	GSJ495	TESTA STERZO TIE ROD END		
0401807	RBJ102120 *	SNODO SOSPENSIONE - SUPERIORE BALL JOINT - UPPER		
0783344	RBJ102120	BRACCIO OSCILLANTE - SUPERIORE TRACK CONTROL ARM - UPPER		
0901806	GRG1152	KIT CUFFIA STERZO STEERING GAITER KIT		
1211273	-	CUFFIA STERZO STEERING GAITER		
1215528	RBX100780	SILENTBLOCK BUSHING		

DESTRO
RIGHT

 SINISTRO
LEFT

 45
414 > 420

400

 2000 >
1997 > 2000

Asse Anteriore



Front Axle

1215529



0381808



1215530



1215530



0391808



1215529



0401679



1215531



1215532



0401679



1215529



0381809



1215530



1215530



0391809



1215529



0401809



1215531



1215532



0401809


i 1) SOLO PER - ONLY FOR : MOD. 1.4 - 1.6

2) SOLO PER - ONLY FOR : MOD. 1.8 - 2.0

OCAP	O.E.		i	
0381808	RBJ102220	BRACCIO OSCILLANTE - INFERIORE TRACK CONTROL ARM - LOWER	1)	
0381809	RBJ102240	BRACCIO OSCILLANTE - INFERIORE TRACK CONTROL ARM - LOWER	2)	
0391808	RBJ102230	BRACCIO OSCILLANTE - INFERIORE TRACK CONTROL ARM - LOWER	1)	
0391809	RBJ102250	BRACCIO OSCILLANTE - INFERIORE TRACK CONTROL ARM - LOWER	2)	
0401679	RBK100350	SNODO SOSPENSIONE - INFERIORE BALL JOINT - LOWER	1)	
0401809	RBK100380	SNODO SOSPENSIONE - INFERIORE BALL JOINT - LOWER	2)	
1215529	RBX100680	SILENTBLOCK LATO SNODO BUSHING - BALL JOINT SIDE		
1215530	RBX100670	SILENTBLOCK CENTRALE CENTRAL BUSHING		
1215531	RBX100580	SILENTBLOCK ESTREMO OUTER BUSHING		
1215532	RBX100590	SILENTBLOCK ESTREMO OUTER BUSHING		

DESTRO
RIGHT



SINISTRO
LEFT

618 > 623

600

1993 > 1999

Asse Anteriore



Front Axle

0281556

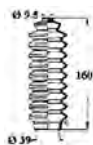
0291556



1211274

0901556

1211274



0783342

0793342



0403350

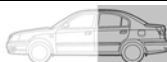
0384228

0394228

0403350



Asse Posteriore



Rear Axle

0783348

0793348



OCAP	O.E.			
0281556	GSJ408	TESTA STERZO TIE ROD END		RHT M14x1,5
0291556	GSJ407	TESTA STERZO TIE ROD END		LHT M14x1,5
0384228	RBJ100690	BRACCIO OSCILLANTE - INFERIORE TRACK CONTROL ARM - LOWER		
0394228	RBJ100720	BRACCIO OSCILLANTE - INFERIORE TRACK CONTROL ARM - LOWER		
0403350	GSJ404	SNODO SOSPENSIONE - INFERIORE SUSPENSION JOINT - LOWER		
0783342	GSJ424	BRACCIO OSCILLANTE - SUPERIORE TRACK CONTROL ARM - UPPER		
0783348	RGG102390	BRACCIO OSCILLANTE - INFERIORE TRACK CONTROL ARM - LOWER		
0793342	GSJ423	BRACCIO OSCILLANTE - SUPERIORE TRACK CONTROL ARM - UPPER		
0793348	RGG102430	BRACCIO OSCILLANTE - INFERIORE TRACK CONTROL ARM - LOWER		
0901556	GRG150	KIT CUFFIE STERZO STEERING GAITER KIT		
1211274	GRG150 *	CUFFIA STERZO STEERING GAITER		

DESTRO
RIGHT

 SINISTRO
LEFT

75		1999 >
----	--	--------

Asse Anteriore



Front Axle

0281810

0291810

1211371

0901810

1211371

1215533

0381811

0391811

1215534

0501812

0501812


Asse Posteriore



Rear Axle

0581813

0701814

0701814

0591813


OCAP	O.E.			
0281810	GSJ878	TESTA STERZO TIE ROD END		
0291810	GSJ877	TESTA STERZO TIE ROD END		
0381811	GSJ1000	BRACCIO OSCILLANTE - ALLUMINIO TRACK CONTROL ARM - ALUMINIUM		
0391811	GSJ1001	BRACCIO OSCILLANTE - ALLUMINIO TRACK CONTROL ARM - ALUMINIUM		
0501812	RBM100240	STABILIZZATORE STABILIZER LINK		
0581813	RGD100561	STABILIZZATORE STABILIZER LINK		
0591813	RGD100571	STABILIZZATORE STABILIZER LINK		
0701814	RGG105211	BARRA SOSPENSIONE SUSPENSION BAR		
0901810	GRG1157	KIT CUFFIA STERZO STEERING GAITER KIT		
1211371	GRG1157 *	CUFFIA STERZO STEERING GAITER		
1215533	RBX101760	SILENTBLOCK BUSHING		
1215534	RBX101770	SILENTBLOCK BUSHING		

DESTRO
RIGHT



SINISTRO
LEFT

820 > 827

800

1986 > 1999

Asse Anteriore



Front Axle

0283352



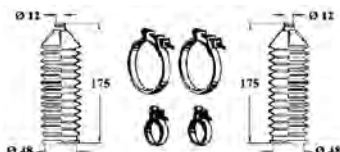
0293352



1211271



0902534



1211271



0402537



0402537



0402538



0402538



OCAP	O.E.			
0283352	GSJ279	TESTA STERZO TIE ROD END		RHT M12x1,25
0293352	GSJ280	TESTA STERZO TIE ROD END		RHT M12x1,25
0402537	GSJ292	SNODO SOSPENSIONE - SUPERIORE SUSPENSION JOINT - UPPER		
0402538	GSJ278	SNODO SOSPENSIONE - INFERIORE SUSPENSION JOINT - LOWER		
0902534	GSV1079	KIT CUFFIA STERZO STEERING GAITER KIT		
1211271	GSV1079 *	CUFFIA STERZO STEERING GAITER		

DESTRO
RIGHT



SINISTRO
LEFT

93 - 95 - 96
99

1958 > 1980
1968 > 1974

Asse Anteriore



Front Axle

0282400



0282400



0280826



0280826



i 1) > 1973 - SOLO PER - ONLY FOR : MOD. 93-95-96 2) SOLO PER - ONLY FOR : MOD. 99

OCAP	O.E.		i	
0280826	8993347	TESTA STERZO TIE ROD END	2)	RHT 1/2" x20UNF
0282400	8993339	TESTA STERZO TIE ROD END	1)	RHT 9/16"- 18UNF

DESTRO
RIGHT



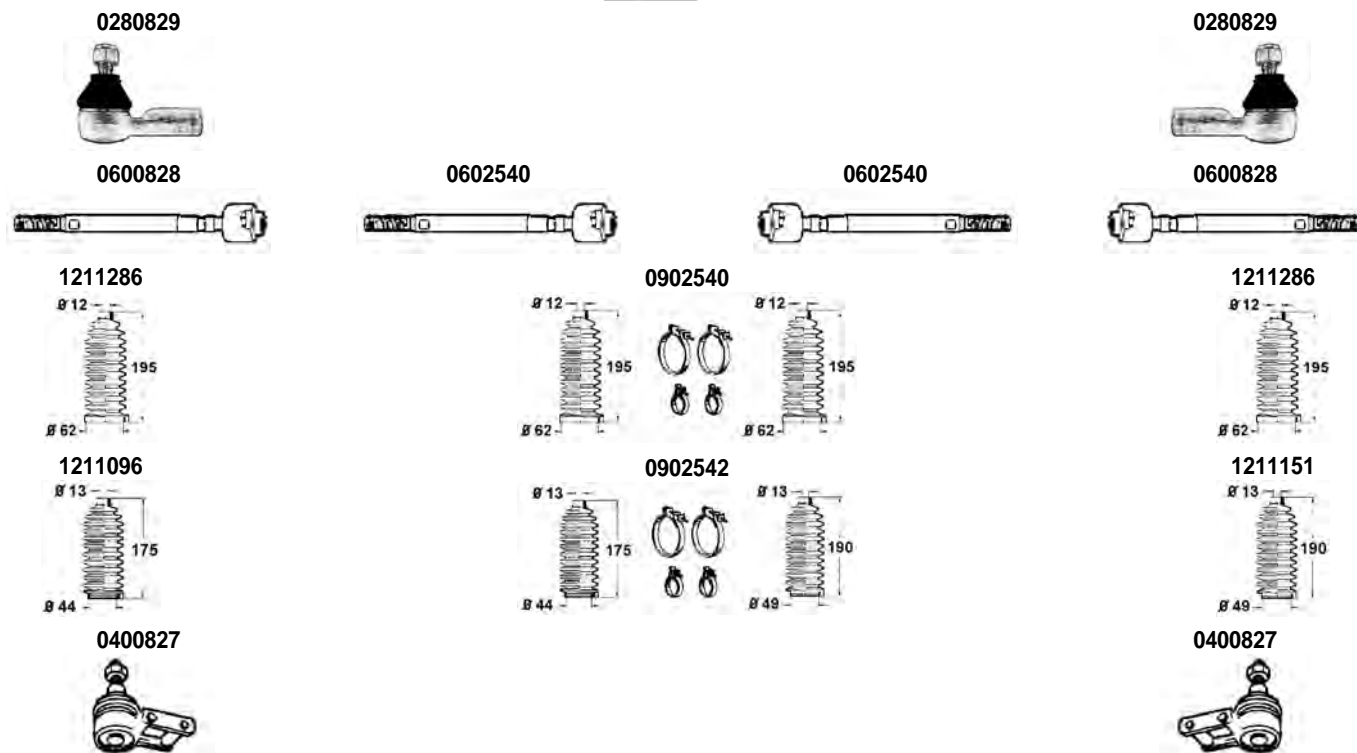
SINISTRO
LEFT

90 99 900		1984 > 1987 1974 > 1984 1978 > 1989
-----------------	--	---

Asse Anteriore



Front Axle



i 1) > 10/1986 3) SERVOSTERZO - POWER STEERING - MOD. 900 5) 1981 > 1983	2) 11/1986 > 4) 1983 >
---	---------------------------

OCAP	O.E.		i	
0280829	8985160	TESTA STERZO TIE ROD END		RHT M14x2
0400827	8993321	SNODO SOSPENSIONE SUPERIORE - INFERIORE SUSPENSION JOINT - UPPER - LOWER		
0600828	8988941	SNODO ASSIALE AXIAL JOINT	1)	RHT M14x2
0602540	8947624	SNODO ASSIALE AXIAL JOINT	2)	RHT M14x2
0902540	7829861 *	KIT CUFFIA STERZO STEERING GAITER KIT	3) 5)	
0902542	8962516 *	KIT CUFFIA STERZO STEERING GAITER KIT	3) 4)	
1211096	8962516	CUFFIA STERZO STEERING GAITER	3) 4)	
1211151	8962243	CUFFIA STERZO STEERING GAITER	3) 4)	
1211286	7829861	CUFFIA STERZO STEERING GAITER	3) 5)	

DESTRO
RIGHT



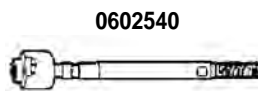
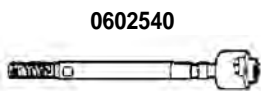
SINISTRO
LEFT

900		1989 > 1993
-----	--	-------------

Asse Anteriore



Front Axle



i 1) 11/1986 >

OCAP	O.E.		i	
0282541	8993560	TESTA STERZO TIE ROD END		RHT M14x2
0400827	8993321	SNODO SOSPENSIONE SUPERIORE - INFERIORE SUSPENSION JOINT - UPPER - LOWER		
0602540	8947624	SNODO ASSIALE AXIAL JOINT	1)	RHT M14x2

DESTRO
RIGHT



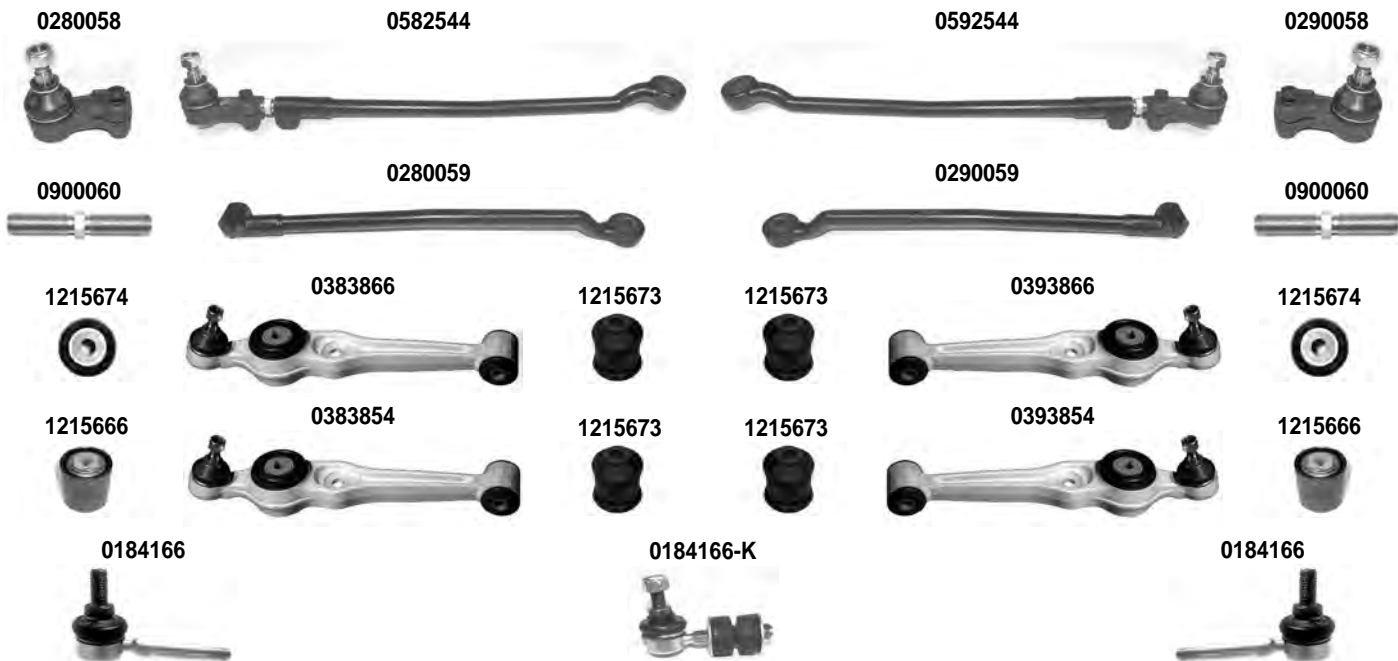
SINISTRO
LEFT

900 9-3	II YS3D	1993 > 1998 > 2002
------------	------------	-----------------------

Asse Anteriore



Front Axle



i 1) > CH. S2012271 - > CH. S7014771	2) CH. S2012272 > - CH. S7014772 >
---	------------------------------------

OCAP	O.E.		
0184166	4544599	STABILIZZATORE STABILIZER LINK	
0280058	4242756	TESTA STERZO TIE ROD END	LHT M16x2
0280059	4242681	TESTA STERZO TIE ROD END	RHT M16x2
0290058	4242749	TESTA STERZO TIE ROD END	RHT M16x2
0290059	4242673	TESTA STERZO TIE ROD END	LHT M16x2
0383854	4543468	BRACCIO OSCILLANTE - ALLUMINIO TRACK CONTROL ARM - ALUMINIUM	2)
0383866	4248449	BRACCIO OSCILLANTE - ALLUMINIO TRACK CONTROL ARM - ALUMINIUM	1)
0393854	4543450	BRACCIO OSCILLANTE - ALLUMINIO TRACK CONTROL ARM - ALUMINIUM	2)
0393866	4248431	BRACCIO OSCILLANTE - ALLUMINIO TRACK CONTROL ARM - ALUMINIUM	1)
0582544	4242756 *	BARRA STERZO TIE ROD	
0592544	4242749 *	BARRA STERZO TIE ROD	
0900060	4242731	GIUNTO COLLEGAMENTO ADJUSTMENT BOLT	
1215666	4545711	SILENTBLOCK CENTRALE CENTRAL BUSHING	
1215673	4248449 **	SILENTBLOCK ESTREMO OUTER BUSHING	
1215674	4248449 *	SILENTBLOCK CENTRALE CENTRAL BUSHING	
0184166-K	4544599 *	KIT STABILIZZATORE STABILIZER LINK KIT	

DESTRO
RIGHT



SINISTRO
LEFT

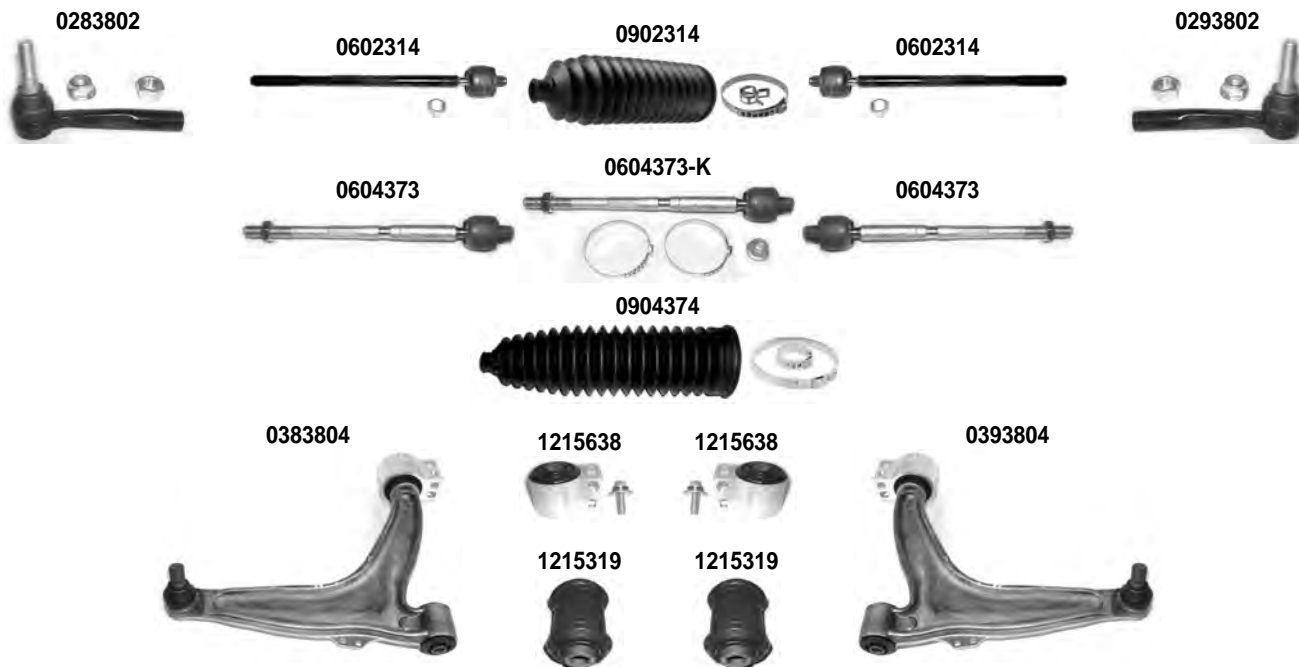
93

9-3	YS3F	2003 >
-----	------	--------

Asse Anteriore



Front Axle



i 1) ECCEP TO MOTORI: 1.8 BENZINA-1.9 DIESEL - EXCEPT ENGINE: 1.8 PETROL - 1.9 DIESEL	2) SOLO PER MOTORI: 1.8 BENZINA-1.9 DIESEL - ONLY FOR ENGINE: 1.8 PETROL - 1.9 DIESEL
---	--

OCAP	O.E.		
0283802	1603228	TESTA STERZO TIE ROD END	RHT M14x1,5
0293802	1603227	TESTA STERZO TIE ROD END	RHT M14x1,5
0383804	12796014	BRACCIO OSCILLANTE - ALLUMINIO TRACK CONTROL ARM - ALUMINIUM	
0393804	12796013	BRACCIO OSCILLANTE - ALLUMINIO TRACK CONTROL ARM - ALUMINIUM	
0602314	12804238	SNODO ASSIALE AXIAL JOINT	1) RHT M14x1,5
0604373	93175520 *	SNODO ASSIALE AXIAL JOINT	2) RHT M14x1,5
0902314	12802043	KIT CUFFIA STERZO STEERING GAITER KIT	1)
0904374	93172342	KIT CUFFIA STERZO STEERING GAITER KIT	2)
1215319	352364	SILENTBLOCK CENTRALE CENTRAL BUSHING	
1215638	352319	SILENTBLOCK ESTREMO OUTER BUSHING	
0604373-K	93175520	KIT SNODO ASSIALE AXIAL JOINT KIT	2) RHT M14x1,5

DESTRO
RIGHT



SINISTRO
LEFT

9-3	YS3F	2003 >
-----	------	--------

Asse Anteriore



Front Axle

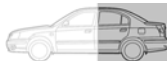
0503805

1214114

0503805



Asse Posteriore



Rear Axle

0402133

0702133

1215781

1215781

0702133

0402133



0305182

0305182



1214247

1214248

1214100



OCAP	O.E.			
0305182	12793813	BRACCIO OSCILLANTE - ALLUMINIO CONTROL ARM - ALUMINIUM		
0402133	-	GIUNTO A SNODO BRACCIO CONTROL ARM JOINT		
0503805	350603	STABILIZZATORE STABILIZER LINK		
0702133	13105744	BRACCIO OSCILLANTE CONTROL ARM		
1214100	24457385	SILENTBLOCK BARRA STABILIZZATRICE STABILIZING BAR BUSHING		DIAM. 17 mm.
1214114	13131232	SILENTBLOCK BARRA STABILIZZATRICE STABILIZING BAR BUSHING		DIAM. 23,3 mm.
1214247	24457386	SILENTBLOCK BARRA STABILIZZATRICE STABILIZING BAR BUSHING		DIAM. 18 mm.
1214248	24457843	SILENTBLOCK BARRA STABILIZZATRICE STABILIZING BAR BUSHING		DIAM. 19 mm.
1215781	-	SILENTBLOCK BRACCIO CONTROL ARM BUSHING		

DESTRO
RIGHT

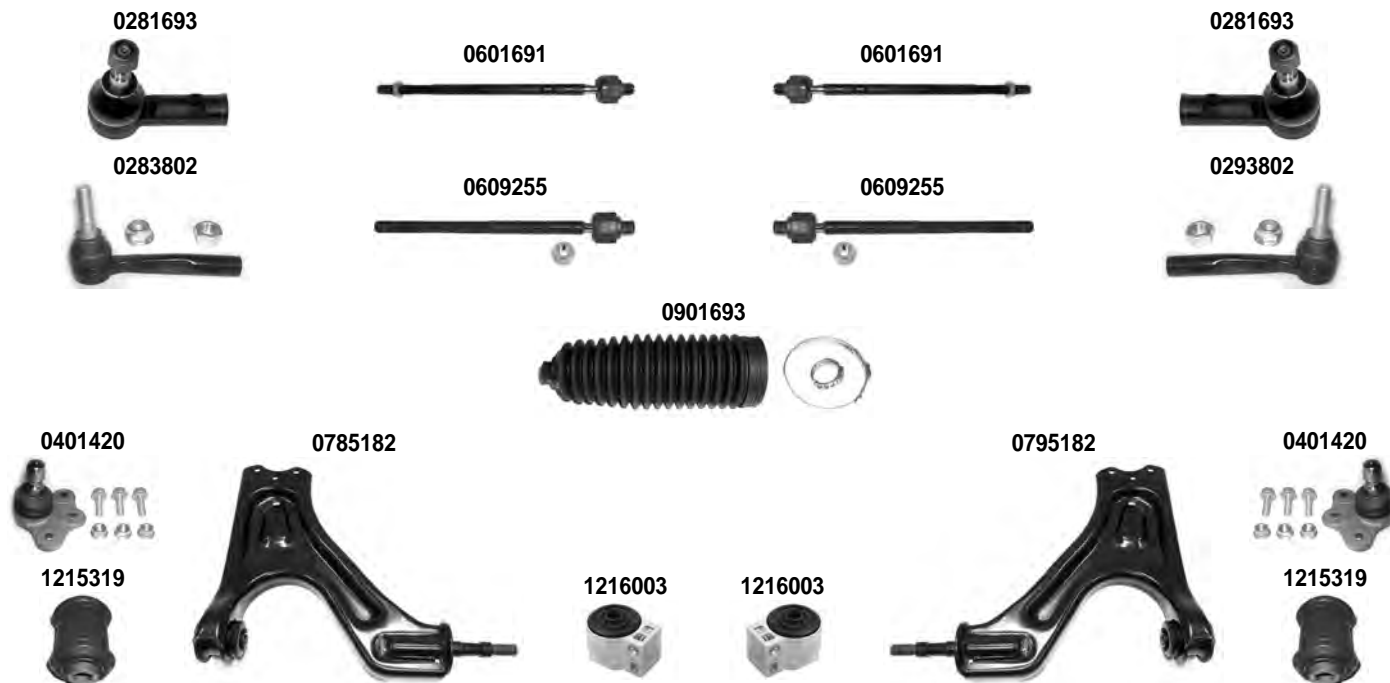
 SINISTRO
LEFT

9-5

1998 >

Asse Anteriore

Front Axle


i 1) > 09/2001
3) > 06/2002

2) 10/2001 >

OCAP	O.E.		
0281693	4836540	TESTA STERZO TIE ROD END	1) RHT M14x1,5
0283802	93172255	TESTA STERZO TIE ROD END	2) RHT M14x1,5
0293802	1603227	TESTA STERZO TIE ROD END	2) RHT M14x1,5
0401420	5231638	SNODO SOSPENSIONE - INFERIORE LOWER SUSPENSION JOINT	3)
0601691	4836557	SNODO ASSIALE AXIAL JOINT	1) RHT M14x1,5
0609255	93194335	SNODO ASSIALE AXIAL JOINT	2) RHT M14x1,5
0785182	4835716	BRACCIO OSCILLANTE - INFERIORE TRACK CONTROL ARM - LOWER	3)
0795182	4835708	BRACCIO OSCILLANTE - INFERIORE TRACK CONTROL ARM - LOWER	3)
0901693	4905865	KIT CUFFIA STERZO STEERING GAITER KIT	
1215319	352364	SILENTBLOCK CENTRALE CENTRAL BUSHING	
1216003	5063391	SILENTBLOCK ESTREMO OUTER BUSHING	3)

DESTRO
RIGHT



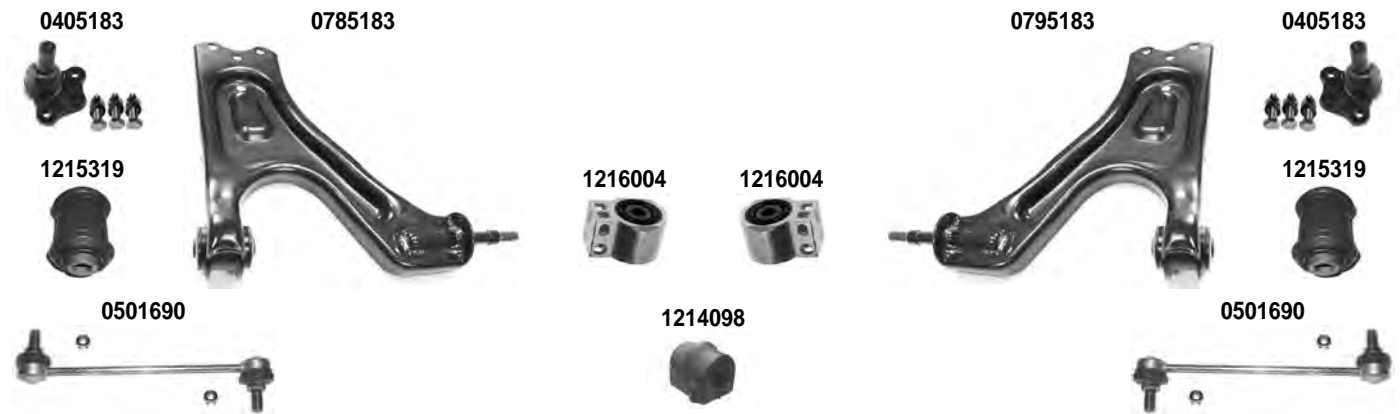
SINISTRO
LEFT

9-5	1998 >
-----	--------

Asse Anteriore



Front Axle



Asse Posteriore



Rear Axle



i 4) 07/2002 >

OCAP	O.E.		i	
0405183	5237516	SNODO SOSPENSIONE - INFERIORE LOWER SUSPENSION JOINT	4)	
0501690	4686606	STABILIZZATORE STABILIZER LINK		
0703802	90538444	BRACCIO OSCILLANTE SUSPENSION ARM		
0785183	5236682	BRACCIO OSCILLANTE - INFERIORE TRACK CONTROL ARM - LOWER	4)	
0795183	5236674	BRACCIO OSCILLANTE - INFERIORE TRACK CONTROL ARM - LOWER	4)	
1214098	4686820	SILENTBLOCK BARRA STABILIZZATRICE STABILIZING BAR BUSHING		DIAM. 16 mm.
1215319	352364	SILENTBLOCK CENTRALE CENTRAL BUSHING		
1216004	5233374	SILENTBLOCK ESTREMO OUTER BUSHING	4)	
1216166	90496686	SILENTBLOCK BUSHING		

DESTRO
RIGHT



SINISTRO
LEFT

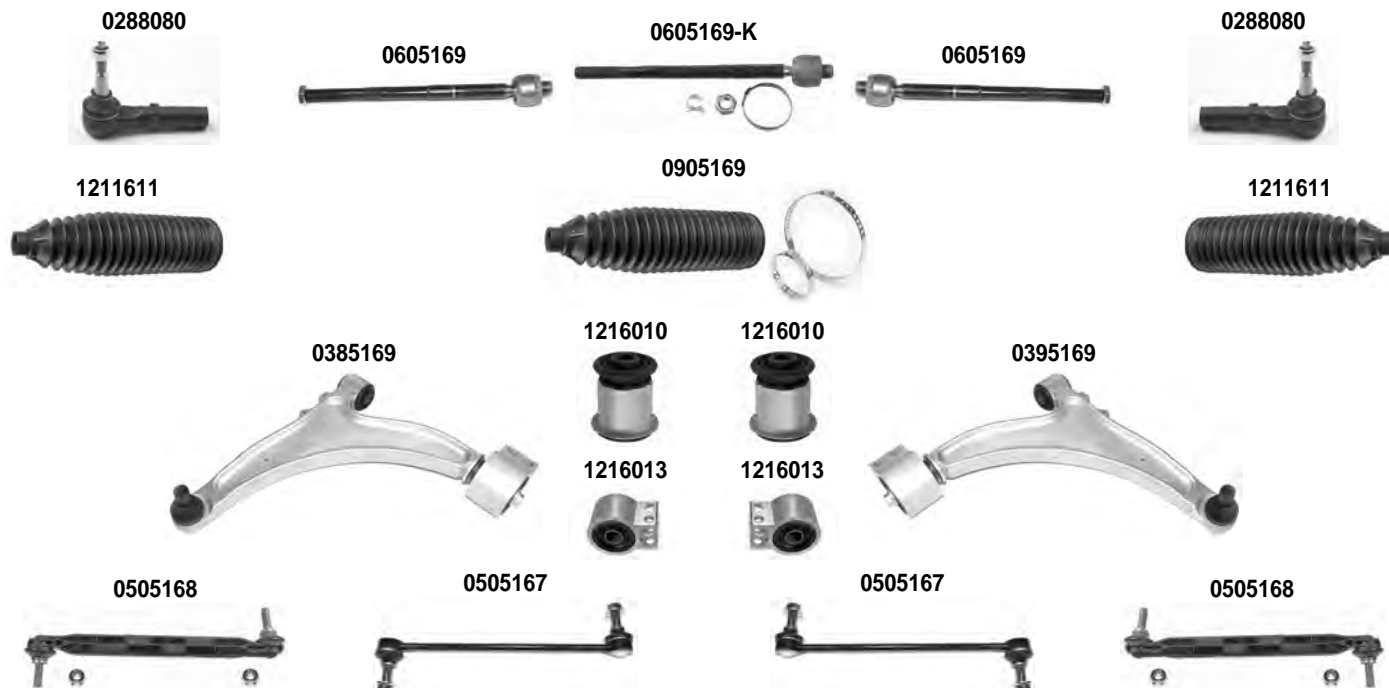
05

9-5

05/2010 >

Asse Anteriore

Front Axle



i 1) MODELLI SENZA FLEXRIDE - EXCEPT FLEXRIDE MODELS 2) MODELLI CON FLEXRIDE - ONLY FOR FLEXRIDE MODELS

OCAP	O.E.		
0288080	6606031	TESTA STERZO TIE ROD END	RHT M16x1,5
0385169	352071	BRACCIO OSCILLANTE - INFERIORE TRACK CONTROL ARM - LOWER	
0395169	352050	BRACCIO OSCILLANTE - INFERIORE TRACK CONTROL ARM - LOWER	
0505167	350618	STABILIZZATORE STABILIZER LINK	2)
0505168	350617	STABILIZZATORE STABILIZER LINK	1)
0605169	6606030 *	SNODO ASSIALE AXIAL JOINT	RHT M16x1,5
0905169	1609357	KIT CUFFIA STERZO STEERING GAITER KIT	
1211611	1609357 *	CUFFIA STERZO STEERING GAITER	
1216010	352866	SILENTBLOCK CENTRALE CENTRAL BUSHING	
1216013	352868	SILENTBLOCK ESTREMO OUTER BUSHING	
0605169-K	6606030	KIT SNODO ASSIALE AXIAL JOINT KIT	RHT M16x1,5

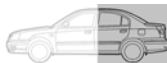
DESTRO
RIGHT



SINISTRO
LEFT




9-5	05/2010 >
-----	-----------

Asse Posteriore



Rear Axle



OCAP	O.E.			
0385170	423071	BRACCIO SOSPENSIONE TRACK CONTROL ARM		
0395170	423073	BRACCIO SOSPENSIONE TRACK CONTROL ARM		
0505170	444081	STABILIZZATORE STABILIZER LINK		
1216014	423552	SILENTBLOCK BUSHING		
1216015	423551	SILENTBLOCK BUSHING		

DESTRO
RIGHT

 SINISTRO
LEFT

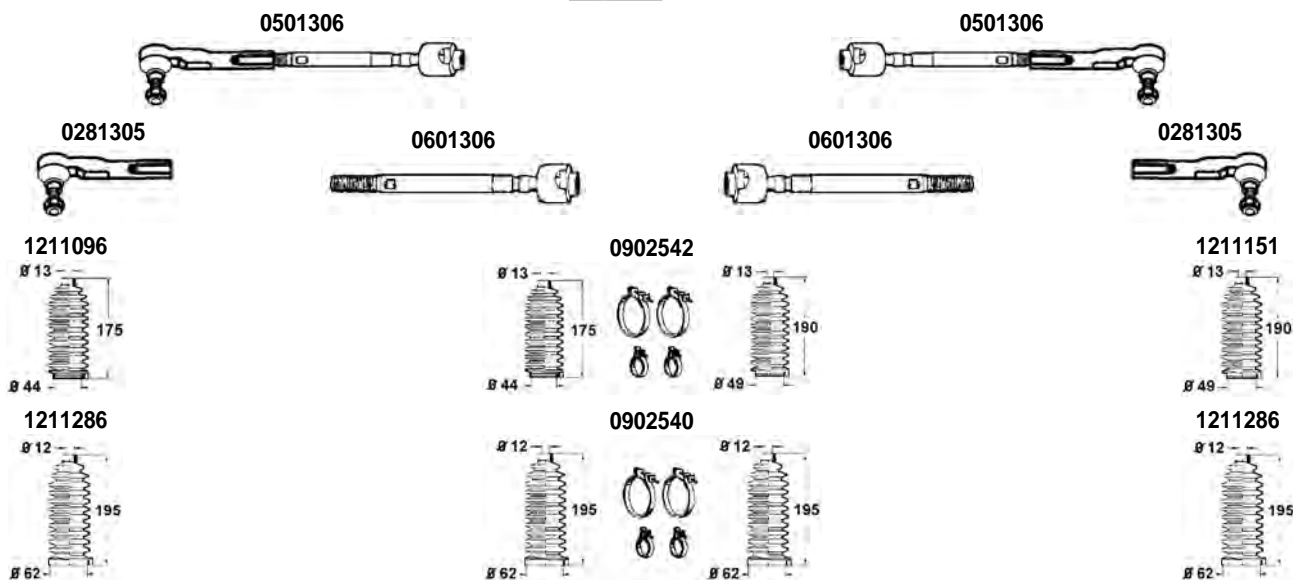
9000

1986 >

Asse Anteriore



Front Axle



1) > 1989		2) 1990 >	
OCAP	O.E.		
0281305	8993453	TESTA STERZO TIE ROD END	RHT M14x1,5
0501306	-	BARRA STERZO TIE ROD	
0601306	8962250	SNODO ASSIALE AXIAL JOINT	RHT M14x1,5
0902540	-	KIT CUFFIA STERZO STEERING GAITER KIT	2)
0902542	8962516 *	KIT CUFFIA STERZO STEERING GAITER KIT	1)
1211096	8962516	CUFFIA STERZO STEERING GAITER	1)
1211151	8962243	CUFFIA STERZO STEERING GAITER	1)
1211286	7829861	CUFFIA STERZO STEERING GAITER	2)

DESTRO
RIGHT



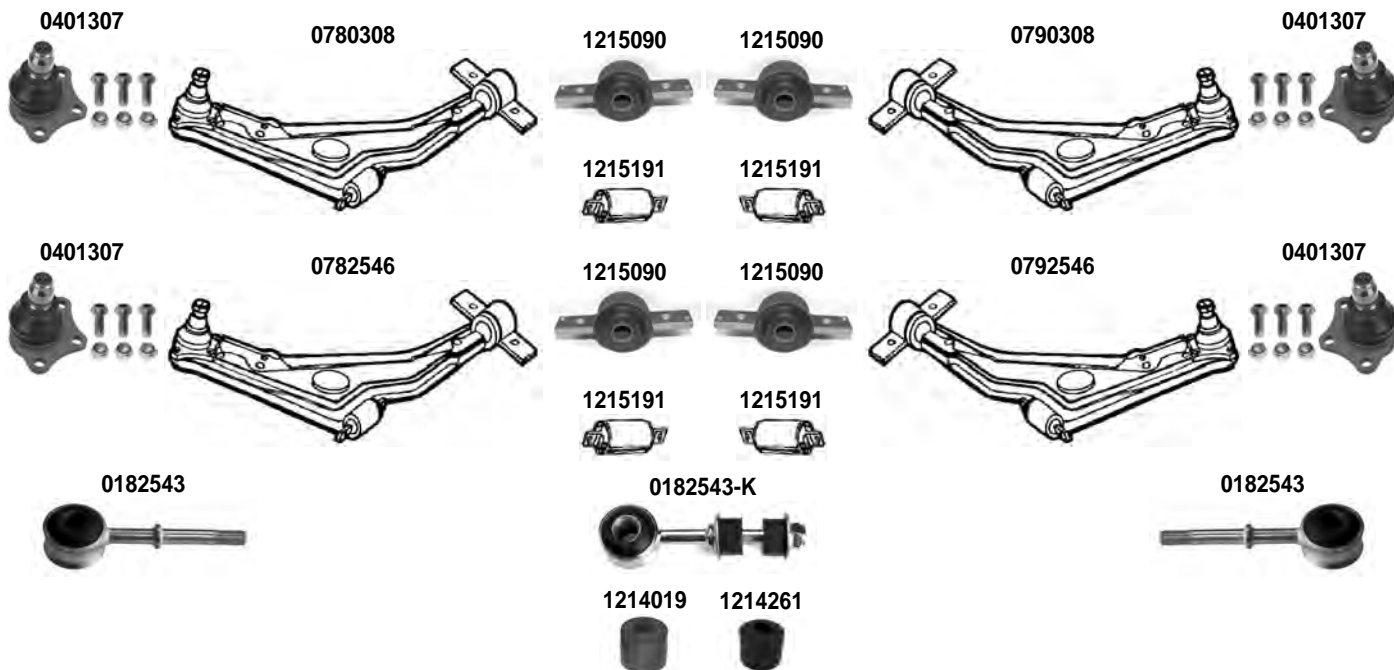
SINISTRO
LEFT

9000

1986 >

Asse Anteriore

Front Axle



i 3) > 1991		4) 1992 >		
OCAP	O.E.			
0182543	8958944	PUNTONE BARRA STABILIZZATRICE STABILIZER LINK		
0401307	8994212	SNODO SOSPENSIONE - INFERIORE BALL JOINT - LOWER		
0780308	-	BRACCIO OSCILLANTE COMPLETO COMPLETE TRACK CONTROL ARM	3)	
0782546	-	BRACCIO OSCILLANTE COMPLETO COMPLETE TRACK CONTROL ARM	4)	
0790308	-	BRACCIO OSCILLANTE COMPLETO COMPLETE TRACK CONTROL ARM	3)	
0792546	-	BRACCIO OSCILLANTE COMPLETO COMPLETE TRACK CONTROL ARM	4)	
1214019	8953896	GOMMINO BARRA STABILIZZATRICE RUBBER RING STABILIZING BAR		
1214261	8953986	SILENTBLOCK BARRA STABILIZZATRICE STABILIZING BAR BUSHING		DIAM. 10 mm.
1215090	8965253	SILENTBLOCK ESTREMO OUTER BUSHING		
1215191	8961476	SILENTBLOCK CENTRALE CENTRAL BUSHING		
0182543-K	8958944 *	KIT PUNTONE BARRA STABILIZZATRICE STABILIZER LINK KIT		

DESTRO
RIGHTSINISTRO
LEFT

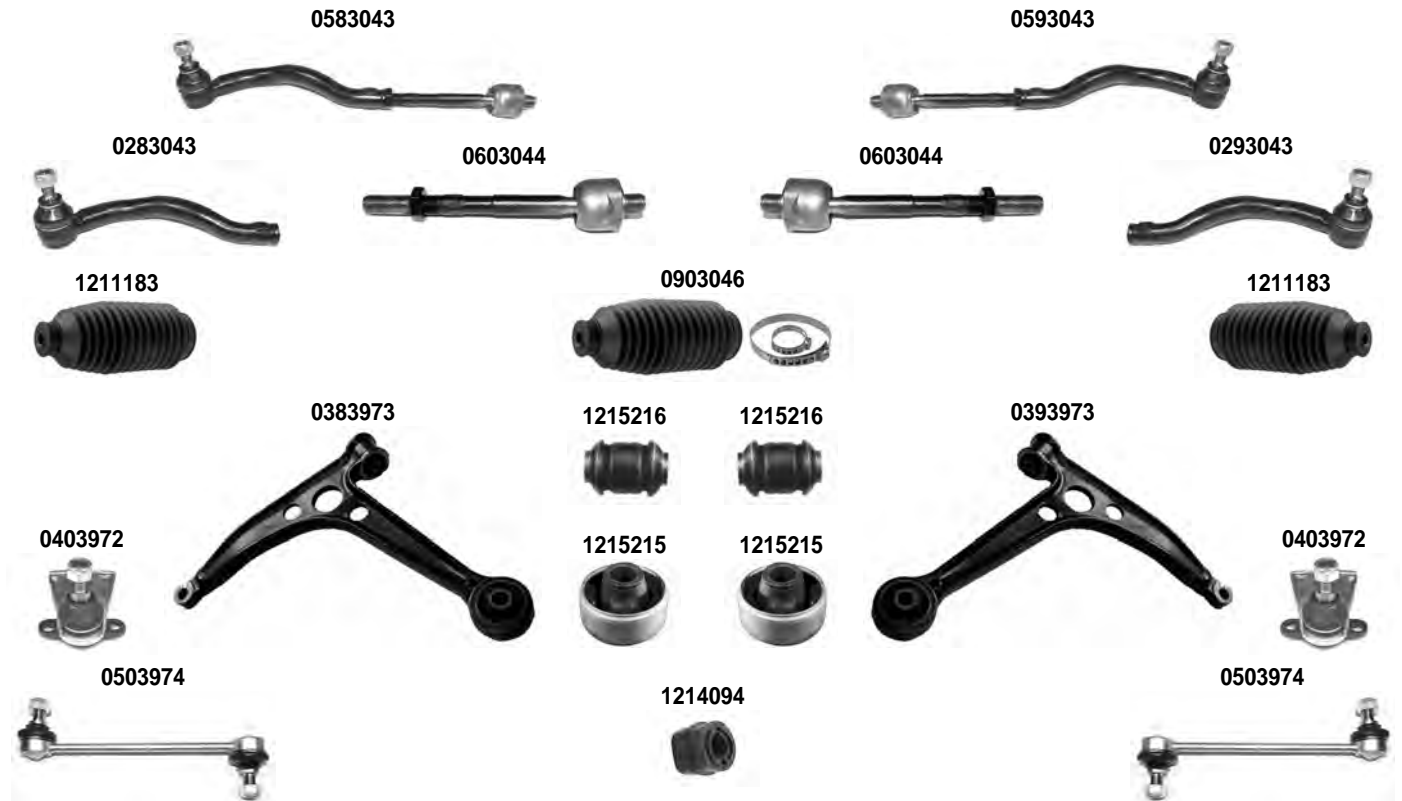
ALHAMBRA

1996 > 03/2010

Asse Anteriore



Front Axle



OCAP	O.E.			
0283043	7M0422818A	TESTA STERZO TIE ROD END		
0293043	7M0422817A	TESTA STERZO TIE ROD END		
0383973	7M0407152B	BRACCIO OSCILLANTE TRACK CONTROL ARM		
0393973	7M0407151B	BRACCIO OSCILLANTE TRACK CONTROL ARM		
0403972	7M3407365C	SNODO SOSPENSIONE SUSPENSION JOINT		
0503974	7M0411317D	STABILIZZATORE STABILIZER LINK		
0583043	7M0422804G	BARRA STERZO TIE ROD		
0593043	7M0422803G	BARRA STERZO TIE ROD		
0603044	7M0422804G *	SNODO ASSIALE AXIAL JOINT		
0903046	7M0422831B *	KIT CUFFIE STERZO STEERING GAITER KIT		
1211183	7M0422831B	CUFFIA STERZO STEERING GAITER		
1214094	7M0411031	SILENTBLOCK BARRA STABILIZZATRICE STABILIZING BAR BUSHING		DIAM. 17 mm.
1215215	7M0407181A	SILENTBLOCK ESTREMO OUTER BUSHING		
1215216	7M0501541	SILENTBLOCK CENTRALE CENTRAL BUSHING		

ALHAMBRA

DESTRO
RIGHT

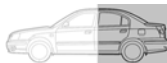


SINISTRO
LEFT

ALHAMBRA

1996 > 03/2010

Asse Posteriore



Rear Axle

1215216






1214099



1215216



OCAP	O.E.			
1214099	7M0511413A	SILENTBLOCK BARRA STABILIZZATRICE STABILIZING BAR BUSHING		DIAM. 20,6 mm.
1215216	7M0501541	SILENTBLOCK BUSHING		

DESTRO
RIGHTSINISTRO
LEFT

ALHAMBRA

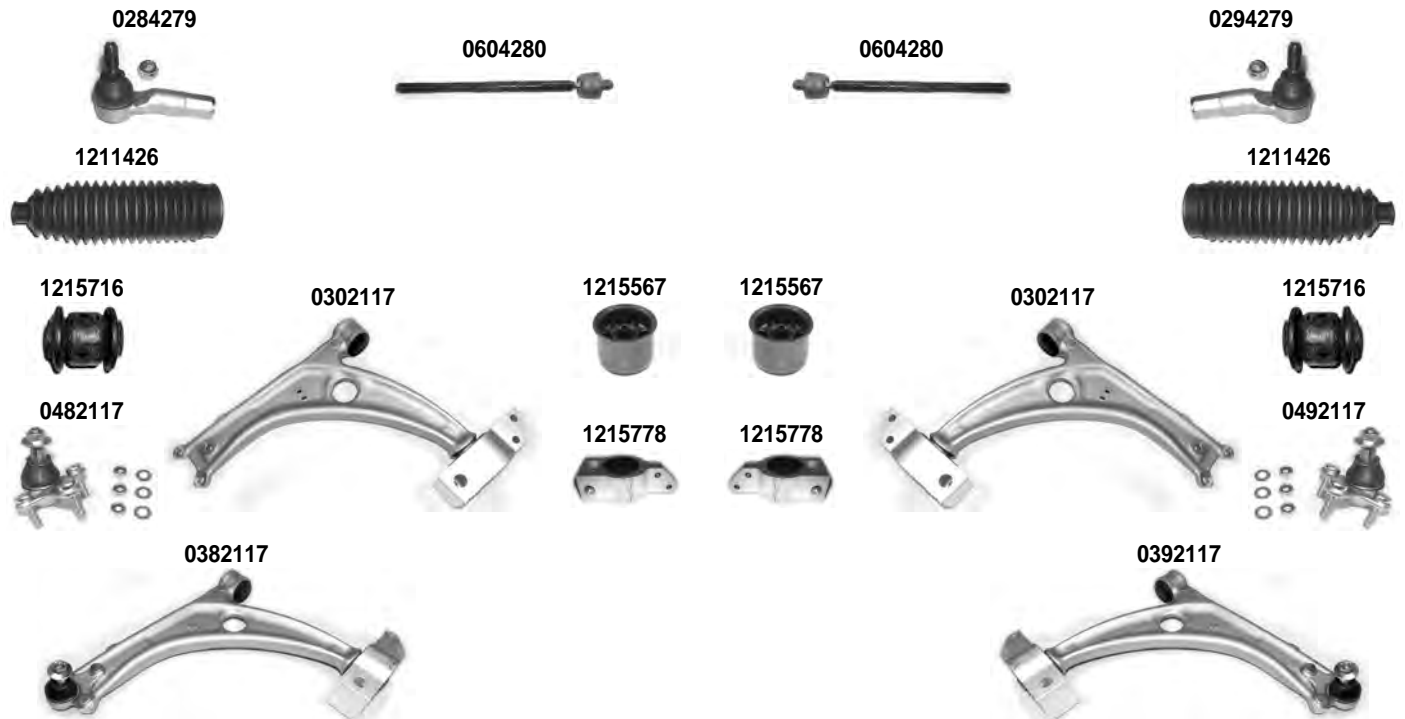
710

06/2010 >

Asse Anteriore



Front Axle



OCAP	O.E.			
0284279	1K0423812E	TESTA STERZO TIE ROD END		RHT M16x1,5
0294279	1K0423811E	TESTA STERZO TIE ROD END		RHT M16x1,5
0302117	3C0407151A	BRACCIO OSCILLANTE - INFERIORE - ALLUMINIO TRACK CONTROL ARM - LOWER - ALUMINIUM		
0382117	-	BRACCIO OSCILLANTE - INFERIORE - ALLUMINIO - CON SNODO TRACK CONTROL ARM - LOWER - ALUMINIUM - WITH BALL JOINT		
0392117	-	BRACCIO OSCILLANTE - INFERIORE - ALLUMINIO - CON SNODO TRACK CONTROL ARM - LOWER - ALUMINIUM - WITH BALL JOINT		
0482117	3C0407366B	SNODO SOSPENSIONE - INFERIORE BALL JOINT - LOWER		
0492117	3C0407365B	SNODO SOSPENSIONE - INFERIORE BALL JOINT - LOWER		
0604280	1K0423810A	SNODO ASSIALE AXIAL JOINT		RHT M16x1,5
1211426	1K0423831A	CUFFIA STERZO STEERING GAITER		RHT M16x1,5
1215567	1K0407183E	SILENTBLOCK BUSHING		
1215716	1K0407182	SILENTBLOCK CENTRALE CENTRAL BUSHING		
1215778	3C0199231A	SILENTBLOCK ESTREMO - ALLUMINIO OUTER BUSHING - ALUMINIUM		

DESTRO
RIGHT



SINISTRO
LEFT

ALHAMBRA	710	06/2010 >
-----------------	-----	-----------

Asse Anteriore



Front Axle

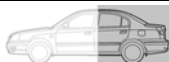
0504283



0504283



Asse Posteriore



Rear Axle

1216232



0704280



1216012



1216012



0704280



1216232



1215948



0703133



1215947



1215947



0703133



1215948



0504378



0504378



OCAP	O.E.			
0504283	1K0411315J	STABILIZZATORE STABILIZER LINK		
0504378	1K0505465K	STABILIZZATORE STABILIZER LINK		
0703133	1K0505323N	BRACCIO SOSPENSIONE CONTROL ARM		
0704280	1K0505311AB	BRACCIO SOSPENSIONE SUSPENSION ARM		
1215947	1K0505279A	SILENTBLOCK BRACCIO SOSPENSIONE - INTERNO SUSPENSION ARM BUSHING - INNER		DIAM. 12 mm.
1215948	1K0505203A	SILENTBLOCK BRACCIO SOSPENSIONE - ESTERNO SUSPENSION ARM BUSHING - OUTER		DIAM. 14 mm.
1216012	1K0505311AB *	SILENTBLOCK BUSHING		
1216232	1K0505553A	SILENTBLOCK BUSHING		

DESTRO
RIGHTSINISTRO
LEFT

ARONA

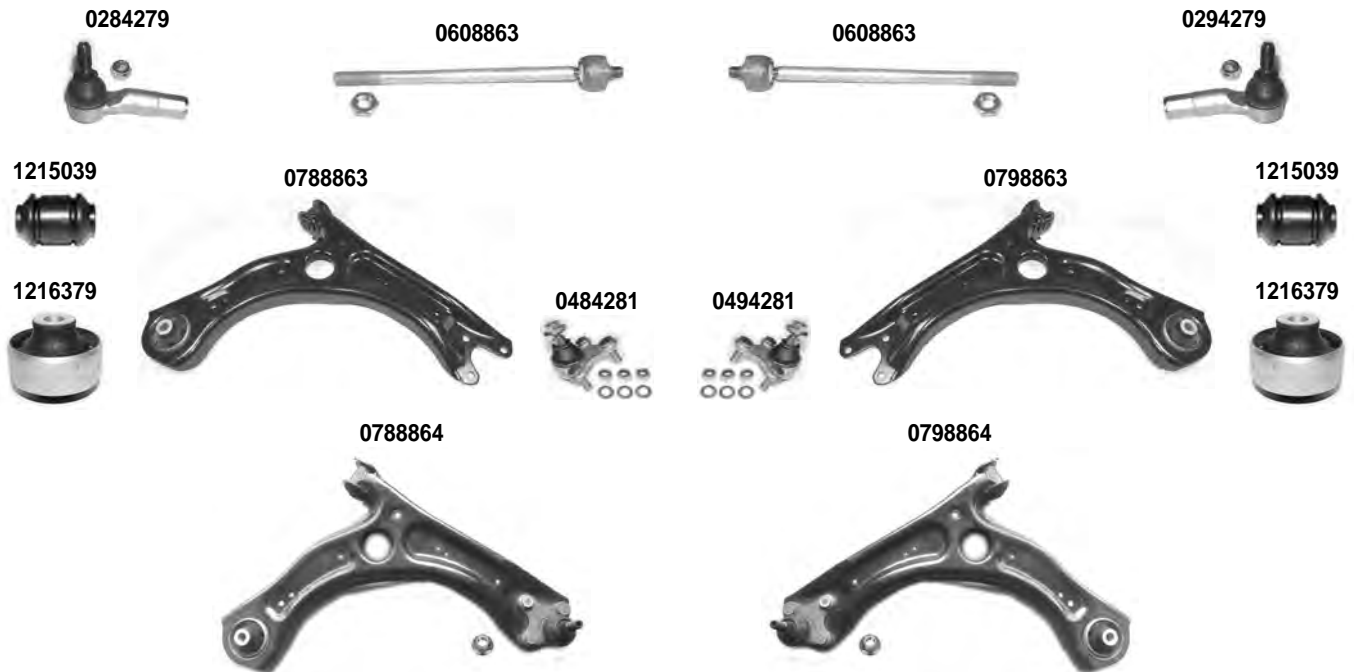
KJ7

07/2017 >

Asse Anteriore



Front Axle



i 1) SOLO PER - ONLY FOR: MOD. 1.0TSI/TGI

OCAP	O.E.		i	
0284279	1K0423812E	TESTA STERZO TIE ROD END		RHT M16x1,5
0294279	1K0423811E	TESTA STERZO TIE ROD END		RHT M16x1,5
0484281	5Q0407366A	SNODO SOSPENSIONE BALL JOINT		
0494281	5Q0407365A	SNODO SOSPENSIONE BALL JOINT		
0608863	2Q0423810D	SNODO ASSIALE AXIAL JOINT		RHT M16x1,5
0788863	2Q0407152B	BRACCIO OSCILLANTE - INFERIORE TRACK CONTROL ARM - LOWER	1)	
0788864	2Q0407152B *	BRACCIO OSCILLANTE COMPLETO COMPLETE TRACK CONTROL ARM	1)	
0798863	2Q0407151B	BRACCIO OSCILLANTE - INFERIORE TRACK CONTROL ARM - LOWER	1)	
0798864	2Q0407151B *	BRACCIO OSCILLANTE COMPLETO COMPLETE TRACK CONTROL ARM	1)	
1215039	357407182	SILENTBLOCK BUSHING		
1216379	2Q0407152B **	SILENTBLOCK BUSHING	1)	

DESTRO
RIGHT



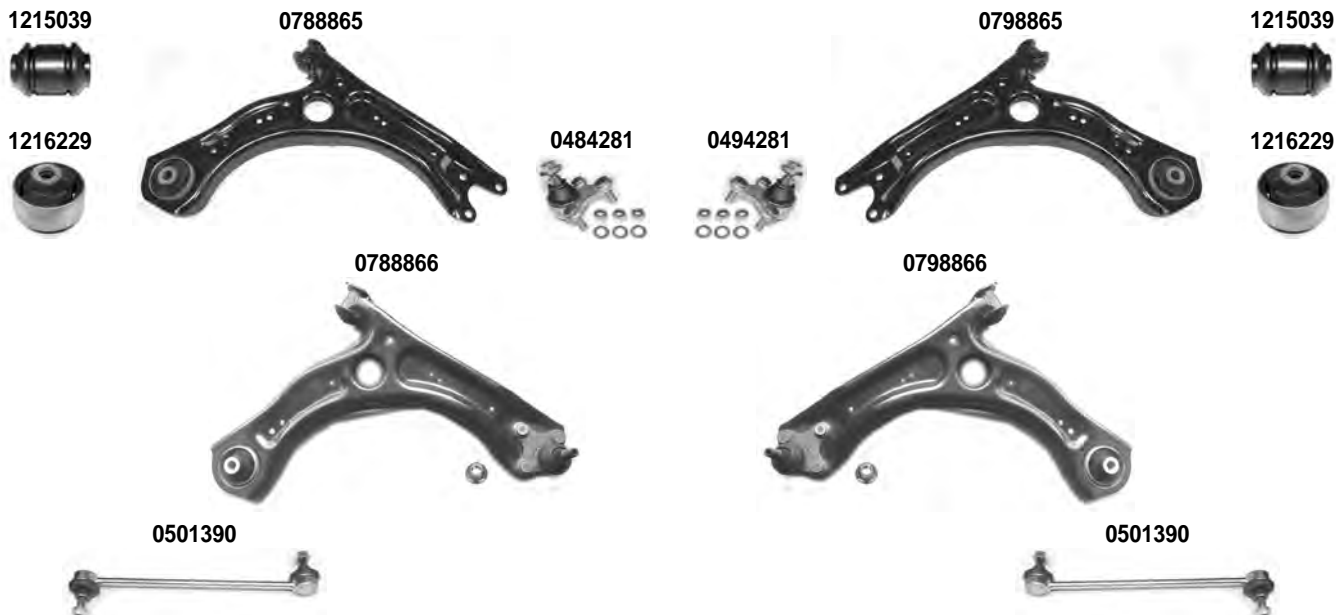
SINISTRO
LEFT

ARONA	KJ7	07/2017 >
-------	-----	-----------

Asse Anteriore



Front Axle



i 2) SOLO PER - ONLY FOR: MOD. 1.5TSI-1.6TDI-2.0GTI

OCAP	O.E.		i	
0484281	5Q0407366A	SNODO SOSPENSIONE BALL JOINT		
0494281	5Q0407365A	SNODO SOSPENSIONE BALL JOINT		
0501390	6Q0411315G	STABILIZZATORE STABILIZER LINK		
0788865	2Q0407152C	BRACCIO OSCILLANTE - INFERIORE TRACK CONTROL ARM - LOWER	2)	
0788866	2Q0407152C *	BRACCIO OSCILLANTE COMPLETO COMPLETE TRACK CONTROL ARM	2)	
0798865	2Q0407151C	BRACCIO OSCILLANTE - INFERIORE TRACK CONTROL ARM - LOWER	2)	
0798866	2Q0407151C *	BRACCIO OSCILLANTE COMPLETO COMPLETE TRACK CONTROL ARM	2)	
1215039	357407182	SILENTBLOCK BUSHING		
1216229	5Q0407183E	SILENTBLOCK BUSHING		

DESTRO
RIGHTSINISTRO
LEFT

AROSA

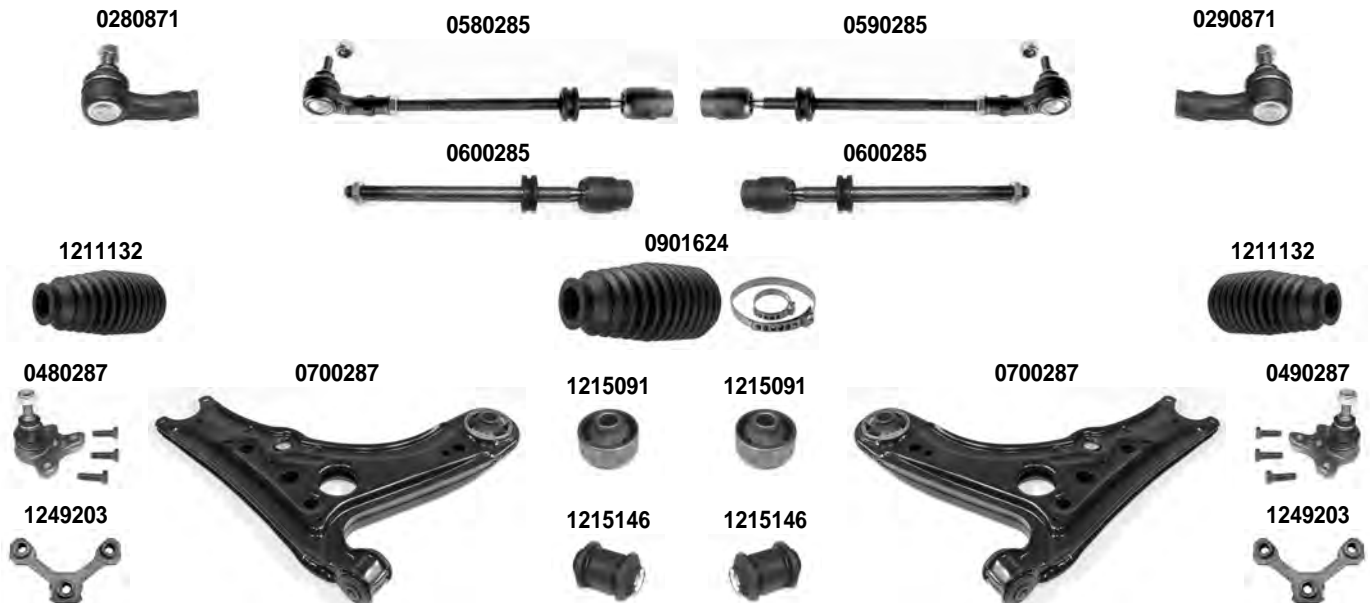
> CH. 6H-W-055-365

1997 >

Asse Anteriore



Front Axle


i 1) CON SILENTBLOCK - WITH BUSHING

OCAP	O.E.		i	
0280871	6N0422812	TESTA STERZO TIE ROD END		RHT M14x1,5
0290871	6N0422811	TESTA STERZO TIE ROD END		RHT M14x1,5
0480287	6N0407365A	SNODO SOSPENSIONE - INFERIORE SUSPENSION JOINT - LOWER		
0490287	6N0407365	SNODO SOSPENSIONE - INFERIORE SUSPENSION JOINT - LOWER		
0580285	6N0419804	BARRA STERZO TIE ROD		
0590285	6N0419803	BARRA STERZO TIE ROD		
0600285	6N0419804 *	SNODO ASSIALE AXIAL JOINT		RHT M14x1,5
0700287	6N0407151B	BRACCIO OSCILLANTE - INFERIORE TRACK CONTROL ARM - LOWER	1)	
0901624	6N0419831 *	KIT CUFFIE STERZO STEERING GAITER KIT		
1211132	6N0419831	CUFFIA STERZO STEERING GAITER		
1215091	6N0407181	SILENTBLOCK BUSHING		
1215146	6N0407182	SILENTBLOCK BUSHING		
1249203	6N0407175A	STAFFA STIRRUP		

DESTRO
RIGHT



SINISTRO
LEFT

AROSA	> CH. 6H-W-055-365	1997 >
-------	--------------------	--------

Asse Anteriore



Front Axle

0781005



0791005



0181011



0181011-K



0181011



0982423



0992423



OCAP	O.E.		i	
0181011	6N0411315C	PUNTONE BARRA STABILIZZATRICE STABILIZER LINK		DIAM. 18 mm.
0781005	-	BRACCIO OSCILLANTE COMPLETO - INFERIORE COMPLETE TRACK CONTROL ARM - LOWER		
0791005	-	BRACCIO OSCILLANTE COMPLETO - INFERIORE COMPLETE TRACK CONTROL ARM - LOWER		
0982423	6N0407365A *	KIT RIPARAZIONE BRACCIO REPAIRING KIT CONTROL ARM		
0992423	6N0407365 *	KIT RIPARAZIONE BRACCIO REPAIRING KIT CONTROL ARM		
0181011-K	6N0411315 *	KIT PUNTONE BARRA STABILIZZATRICE STABILIZER LINK KIT		DIAM. 18 mm.

DESTRO
RIGHTSINISTRO
LEFT

AROSA

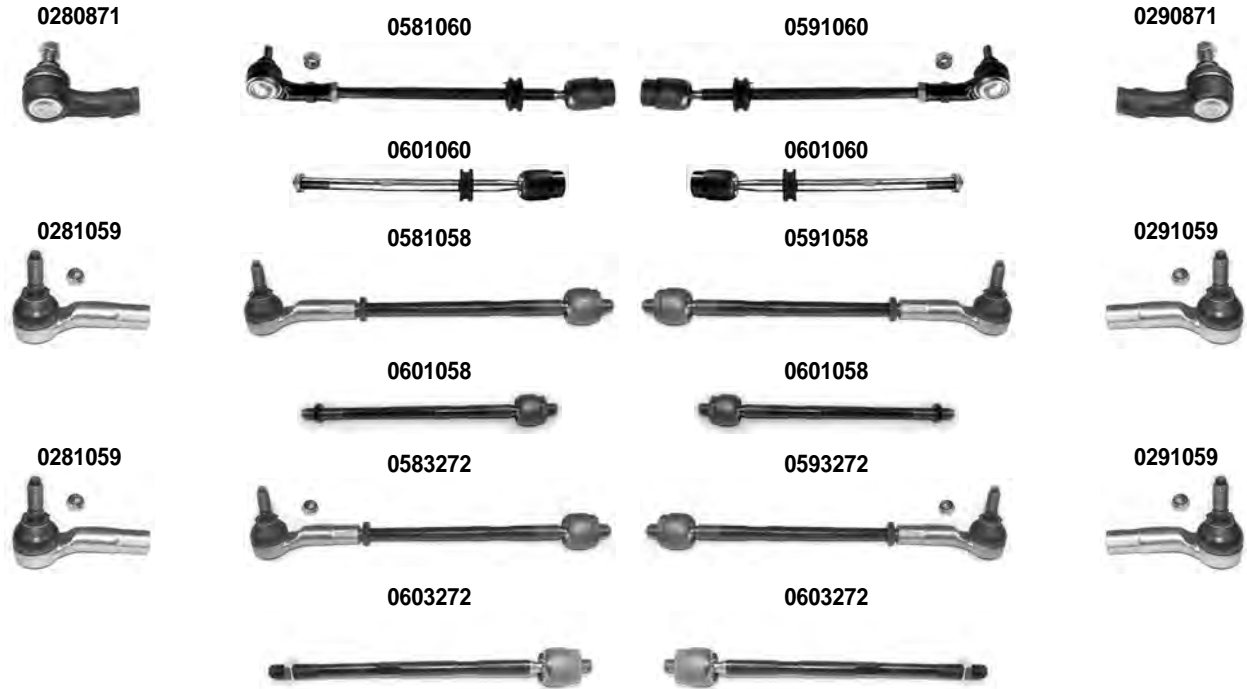
CH. 6H-W-055-366 >

2000 >

Asse Anteriore



Front Axle



i 1) STERZO MANUALE - MANUAL STEERING 3) ECCETTO - EXCEPT - MOD. 1.4 16V -TDI		2) SERVOSTERZO - POWER STEERING 4) SOLO PER - ONLY FOR : MOD. 1.4 16V -TDI	
OCAP	O.E.		
0280871	6N0419812	TESTA STERZO TIE ROD END	
0281059	6X0422812	TESTA STERZO TIE ROD END	2)
0290871	6N0419811	TESTA STERZO TIE ROD END	
0291059	6X0422811	TESTA STERZO TIE ROD END	2)
0581058	6X0422804	BARRA STERZO TIE ROD	2) 3)
0581060	6X0419804A	BARRA STERZO TIE ROD	1)
0583272	6N0422804C	BARRA STERZO TIE ROD	2) 4)
0591058	6X0422803	BARRA STERZO TIE ROD	2) 3)
0591060	6X0419803A	BARRA STERZO TIE ROD	1)
0593272	6N0422803C	BARRA STERZO TIE ROD	2) 4)
0601058	6X0422804 *	SNODO ASSIALE AXIAL JOINT	2) 3)
0601060	6X0419804A *	SNODO ASSIALE AXIAL JOINT	1)
0603272	6N0422804C *	SNODO ASSIALE AXIAL JOINT	2) 4)

DESTRO
RIGHT



SINISTRO
LEFT

AROSA	CH. 6H-W-055-366 >	2000 >
-------	--------------------	--------

Asse Anteriore



Front Axle



i 1) STERZO MANUALE - MANUAL STEERING	2) SERVOSTERZO - POWER STEERING
--	---------------------------------

OCAP	O.E.		i	
0480287	6N0407365A	SNODO SOSPENSIONE - INFERIORE SUSPENSION JOINT - LOWER		
0490287	6N0407365	SNODO SOSPENSIONE - INFERIORE SUSPENSION JOINT - LOWER		
0701062	6N0407151A	BRACCIO OSCILLANTE - INFERIORE TRACK CONTROL ARM - LOWER		
0781062	-	BRACCIO OSCILLANTE COMPLETO - INFERIORE COMPLETE TRACK CONTROL ARM - LOWER		
0791062	-	BRACCIO OSCILLANTE COMPLETO - INFERIORE COMPLETE TRACK CONTROL ARM - LOWER		
0901612	6N0422831 *	KIT CUFFIE STERZO STEERING GAITER KIT	2)	
0901624	6N0419831 *	KIT CUFFIE STERZO STEERING GAITER KIT	1)	
1211132	6N0419831	CUFFIA STERZO STEERING GAITER	1)	
1211180	6N0422831	CUFFIA STERZO STEERING GAITER	2)	
1215091	6N0407181	SILENTBLOCK ESTREMO OUTER BUSHING		
1215146	6N0407182	SILENTBLOCK CENTRALE CENTRAL BUSHING		
1249203	6N0407175A	STAFFA STIRRUP		

DESTRO
RIGHTSINISTRO
LEFT

AROSA

CH. 6H-W-055-366 >

2000 >

Asse Anteriore



Front Axle

0181061





0181061-K



0181061



OCAP	O.E.		
0181061	6N0411315D	PUNTONE BARRA STABILIZZATRICE STABILIZER LINK	DIAM. 20/22 mm.
0181061-K	6N0411315A *	KIT PUNTONE BARRA STABILIZZATRICE STABILIZER LINK KIT	DIAM. 20/22 mm.

DESTRO
RIGHT

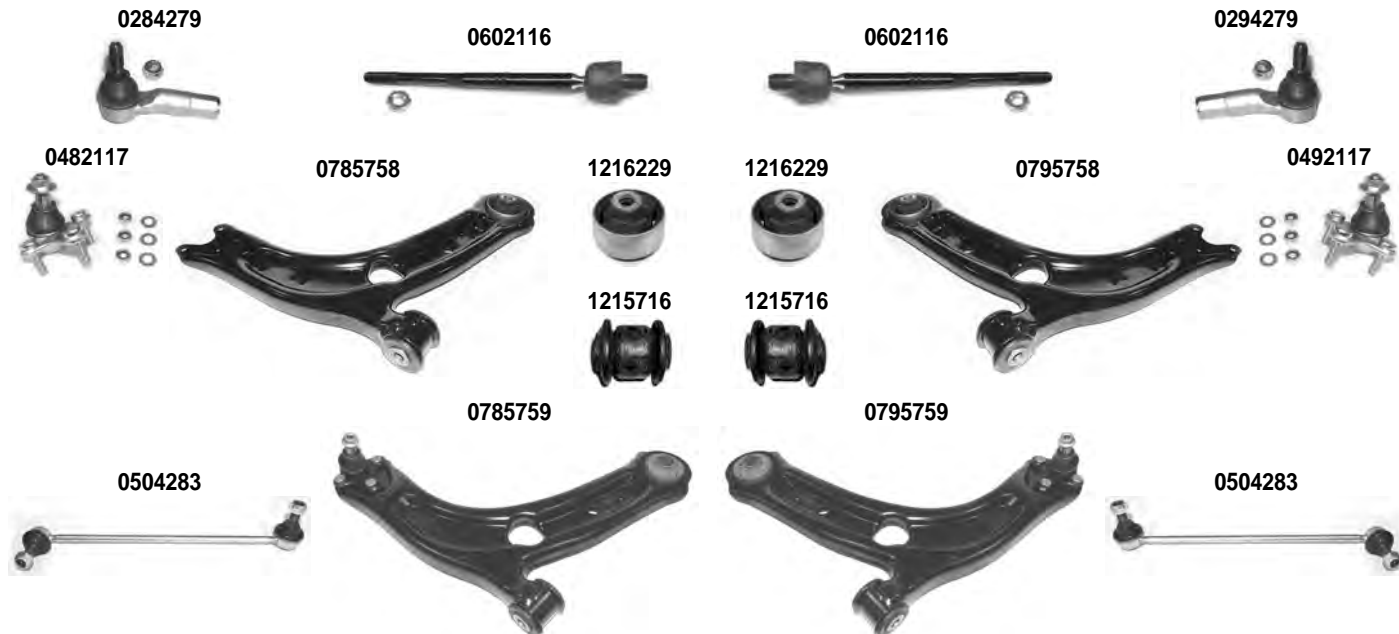


SINISTRO
LEFT

ATECA	KH7	04/2016 >
-------	-----	-----------

Asse Anteriore

Front Axle



OCAP	O.E.		i	
0284279	1K0423812E	TESTA STERZO TIE ROD END		RHT M16x1,5
0294279	1K0423811E	TESTA STERZO TIE ROD END		RHT M16x1,5
0482117	3C0407366B	SNODO SOSPENSIONE - INFERIORE BALL JOINT - LOWER		
0492117	3C0407365B	SNODO SOSPENSIONE - INFERIORE BALL JOINT - LOWER		
0504283	1K0411315D	STABILIZZATORE STABILIZER LINK		
0602116	561423810	SNODO ASSIALE AXIAL JOINT		RHT M16x1,5
0785758	3Q0407152E	BRACCIO OSCILLANTE - INFERIORE TRACK CONTROL ARM - LOWER		
0785759	3Q0407152E *	BRACCIO OSCILLANTE - INFERIORE - COMPLETO TRACK CONTROL ARM - LOWER - COMPLETE		
0795758	3Q0407151E	BRACCIO OSCILLANTE - INFERIORE TRACK CONTROL ARM - LOWER		
0795759	3Q0407151E *	BRACCIO OSCILLANTE - INFERIORE - COMPLETO TRACK CONTROL ARM - LOWER - COMPLETE		
1215716	1K0407182	SILENTBLOCK CENTRALE CENTRAL BUSHING		
1216229	5Q0407183E	SILENTBLOCK ESTREMO OUTER BUSHING		

DESTRO
RIGHTSINISTRO
LEFT

ATECA

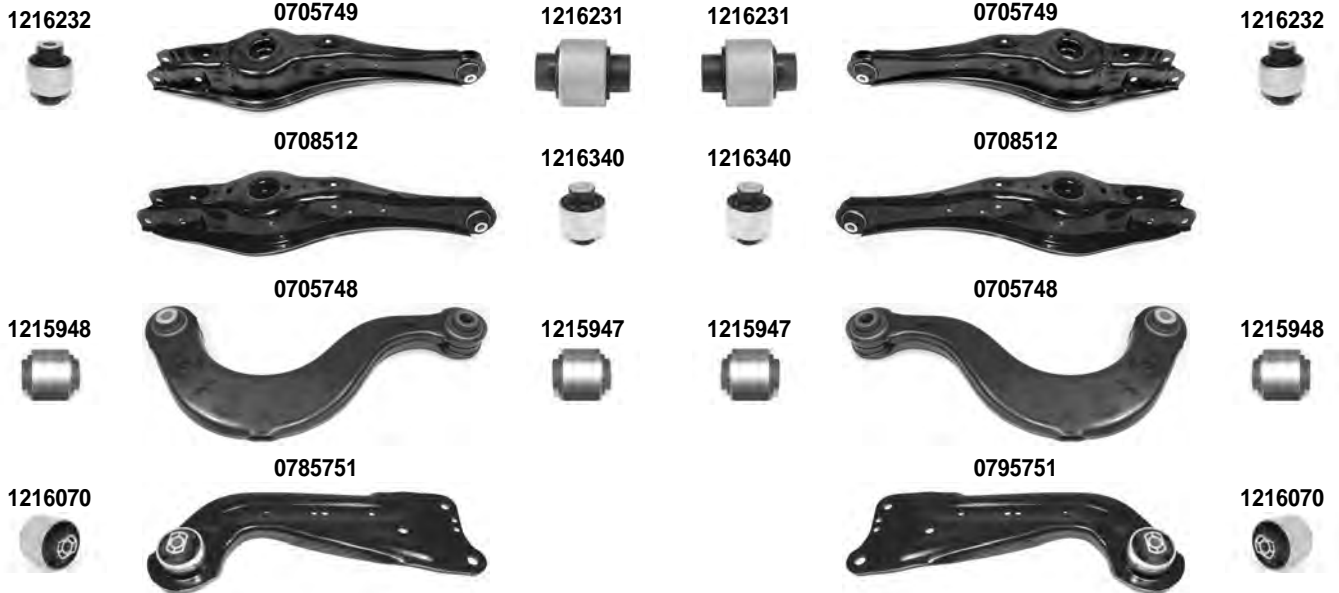
KH7





04/2016 >

Asse Posteriore



Rear Axle



 1) 4WD				
OCAP	O.E.			
0705748	5Q0505323D	BRACCIO SOSPENSIONE SUSPENSION ARM	1)	
0705749	5Q0505311D	BRACCIO SOSPENSIONE SUSPENSION ARM		
0708512	3Q0505311E	BRACCIO SOSPENSIONE SUSPENSION ARM	1)	
0785751	5Q0505224D	BRACCIO SOSPENSIONE SUSPENSION ARM	1)	
0795751	5Q0505223D	BRACCIO SOSPENSIONE SUSPENSION ARM	1)	
1215947	1K0505279A	SILENTBLOCK BRACCIO SOSPENSIONE - INTERNO CONTROL ARM BUSHING - INNER	1)	DIAM. 12 mm.
1215948	1K0505203A	SILENTBLOCK BRACCIO SOSPENSIONE - ESTERNO CONTROL ARM BUSHING - OUTER	1)	DIAM. 14 mm.
1216070	1K0407541C	SILENTBLOCK BUSHING	1)	
1216231	5Q0505311D *	SILENTBLOCK BUSHING		
1216232	1K0505553A	SILENTBLOCK BUSHING		
1216340	3Q0505311E *	SILENTBLOCK BUSHING	1)	

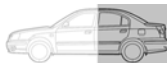
DESTRO
RIGHT



SINISTRO
LEFT

ATECA	KH7	04/2016 >
-------	-----	-----------

Asse Posteriore



Rear Axle

1216233



0705751



1216234



1216234



0705751



1216233



0505748



0505748



i 1) 4WD

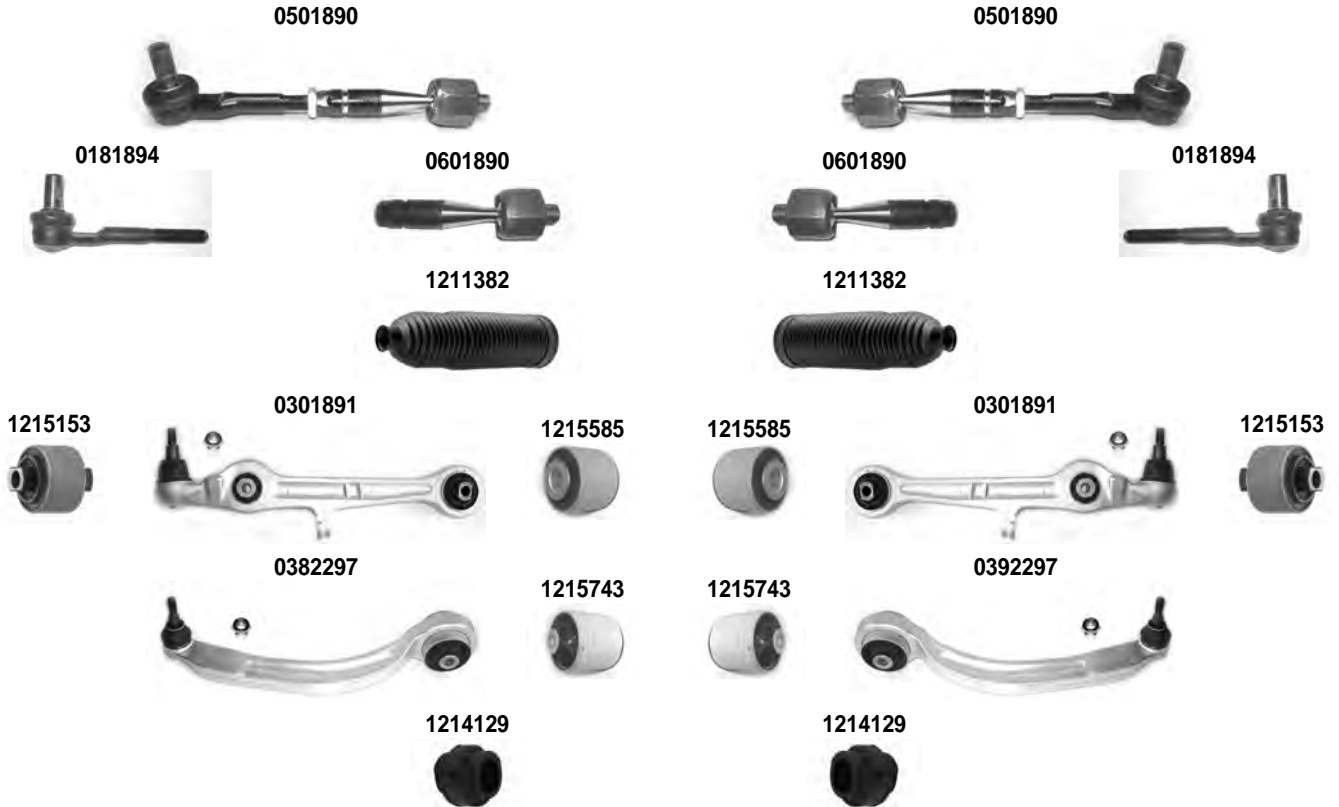
OCAP	O.E.		i	
0505748	5Q0505465C	STABILIZZATORE STABILIZER LINK	1)	
0705751	5Q0501529C	BRACCIO SOSPENSIONE SUSPENSION ARM	1)	
1216233	5Q0501529C *	SILENTBLOCK BUSHING	1)	
1216234	5Q0501529C **	SILENTBLOCK BUSHING	1)	


DESTRO
RIGHTSINISTRO
LEFTEXEO
EXEO ST3R2
3R52009 >
2009 >

Asse Anteriore



Front Axle



OCAP	O.E.			
0181894	8E0419811	TESTA STERZO TIE ROD END		RHT M14x1,5
0301891	8E0407151R	BRACCIO OSCILLANTE - INFERIORE - ALLUMINIO TRACK CONTROL ARM - LOWER - ALUMINIUM		
0382297	8E0407694AL	BRACCIO OSCILLANTE - INFERIORE - ALLUMINIO TRACK CONTROL ARM - LOWER - ALUMINIUM		
0392297	8E0407693AL	BRACCIO OSCILLANTE - INFERIORE - ALLUMINIO TRACK CONTROL ARM - LOWER - ALUMINIUM		
0501890	8E0419801E	BARRA STERZO TIE ROD		
0601890	8E0422821	SNODO ASSIALE AXIAL JOINT		RHT M14x1,5
1211382	8E0419831	CUFFIA STERZO STEERING GAITER		
1214129	4D0411327J	SILENTBLOCK BARRA STABILIZZATRICE - DIAM.29mm STABILIZING BAR BUSHING		DIAM. 29 mm.
1215153	4D0407182E	SILENTBLOCK ESTREMO OUTER BUSHING		
1215585	8E0407181B	SILENTBLOCK CENTRALE CENTRAL BUSHING		
1215743	4F0407183E	SILENTBLOCK BUSHING		

DESTRO
RIGHT



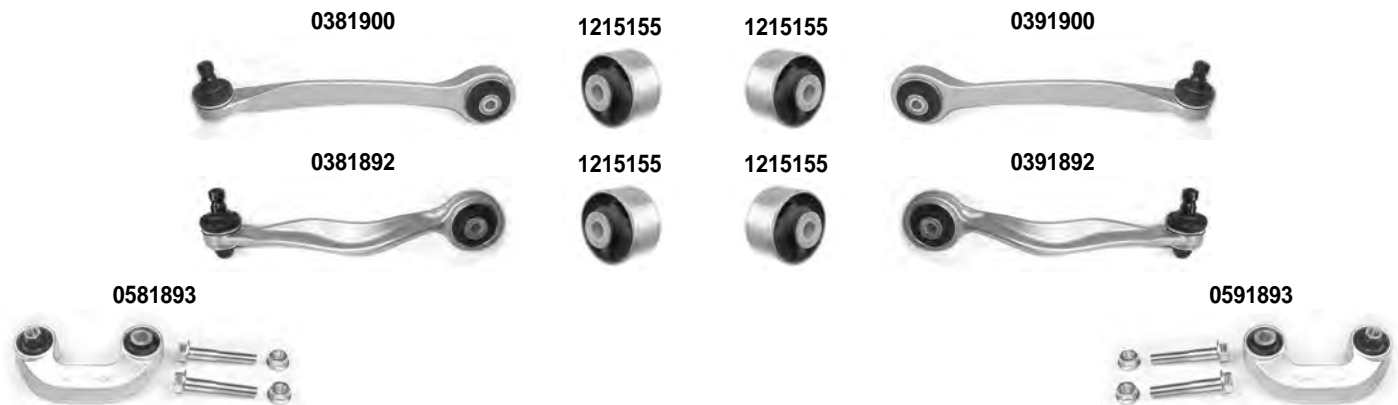
SINISTRO
LEFT

EXEO EXEO ST	3R2 3R5	2009 > 2009 >
-----------------	------------	------------------

Asse Anteriore



Front Axle



Asse Posteriore



Rear Axle



OCAP	O.E.			
0381892	8E0407510P	BRACCIO OSCILLANTE - SUPERIORE - ALLUMINIO TRACK CONTROL ARM - UPPER - ALUMINIUM		
0381900	8E0407506P	BRACCIO OSCILLANTE - SUPERIORE - ALLUMINIO TRACK CONTROL ARM - UPPER - ALUMINIUM		
0391892	8E0407509P	BRACCIO OSCILLANTE - SUPERIORE - ALLUMINIO TRACK CONTROL ARM - UPPER - ALUMINIUM		
0391900	8E0407505P	BRACCIO OSCILLANTE - SUPERIORE - ALLUMINIO TRACK CONTROL ARM - UPPER - ALUMINIUM		
0501899	8E0505465AF	STABILIZZATORE STABILIZER LINK		
0581893	8E0411318	STABILIZZATORE STABILIZER LINK		
0591893	8E0411317	STABILIZZATORE STABILIZER LINK		
0705597	8E0501529P	BRACCIO SOSPENSIONE SUSPENSION ARM		
0785597	8E0505324M	BRACCIO SOSPENSIONE SUSPENSION ARM		
0795597	8E0505323M	BRACCIO SOSPENSIONE SUSPENSION ARM		
1215155	4B0407515	SILENTBLOCK BRACCI SUPERIORI UPPER CONTROL ARMS BUSHING		

DESTRO
RIGHTSINISTRO
LEFT

FURA

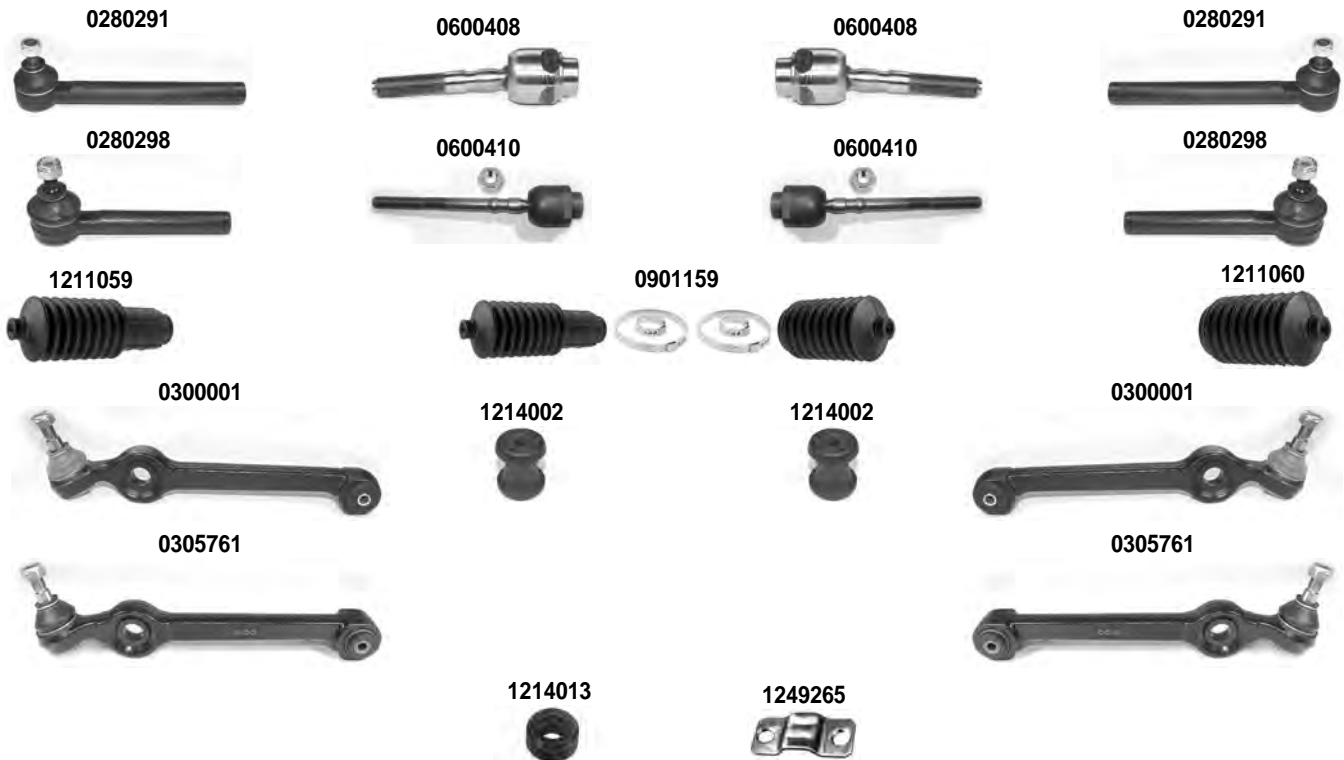
FURA

1982 > 1986

Asse Anteriore



Front Axle

**i** 1) > 10/1982

2) VERSIONE RINFORZATA - REINFORCED VERSION

OCAP	O.E.		i	
0280291	4254520	TESTA STERZO TIE ROD END	1)	RHT M14x1
0280298	5983404	TESTA STERZO TIE ROD END		RHT M12x1,5
0300001	SE127156110A	BRACCIO OSCILLANTE - INFERIORE TRACK CONTROL ARM - LOWER		
0305761	4364095 *	BRACCIO OSCILLANTE TRACK CONTROL ARM	2)	
0600408	4318655	SNODO ASSIALE AXIAL JOINT		RHT M14x1
0600410	SE127162449A	SNODO ASSIALE AXIAL JOINT		RHT M12x1,5
0901159	SE138162132A *	KIT CUFFIE STERZO STEERING GAITER KIT		
1211059	SE138162132A	CUFFIA STERZO STEERING GAITER		
1211060	SE138162131A	CUFFIA STERZO STEERING GAITER		
1214002	-	SILENTBLOCK BUSHING		
1214013	4240587	BOCCOLA BARRA STABILIZZATRICE STABILIZING BAR BUSHING		
1249265	4233064	STAFFA SUPERIORE BARRA STABILIZZATRICE UPPER BRACKET FOR STABILIZING BAR		

DESTRO
RIGHT



SINISTRO
LEFT

IBIZA I - MALAGA I

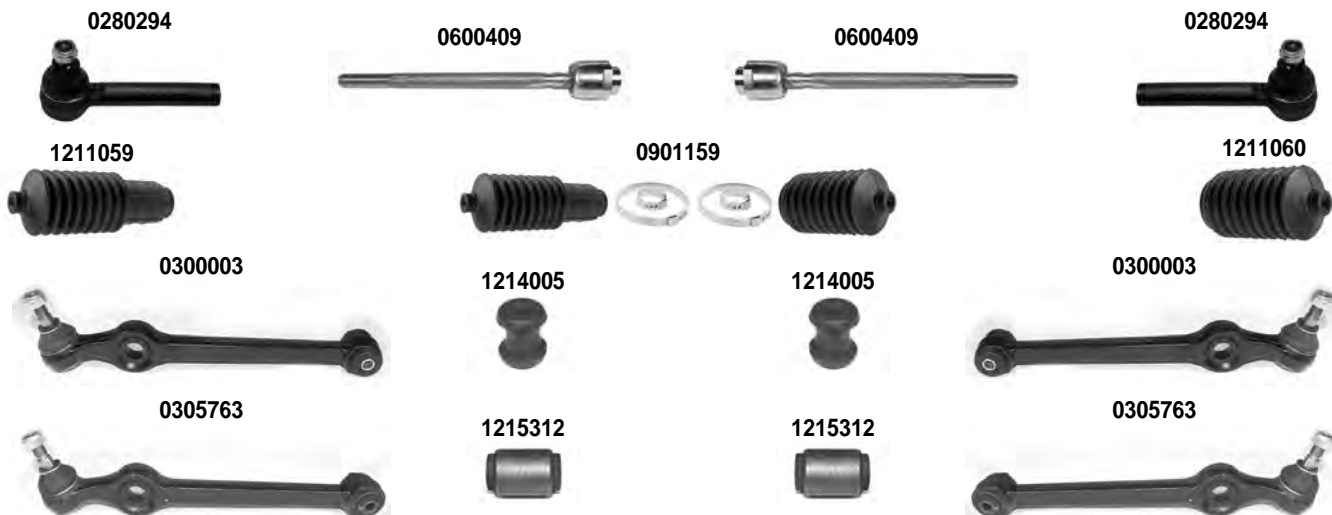
021A

>06/1986

Asse Anteriore



Front Axle



i 1) VERSIONE RINFORZATA - REINFORCED VERSION

OCAP	O.E.		i	
0280294	4410415	TESTA STERZO TIE ROD END		RHT M14x1,5
0300003	SE138156110A	BRACCIO OSCILLANTE TRACK CONTROL ARM		
0305763	4402361 *	BRACCIO OSCILLANTE TRACK CONTROL ARM	1)	
0600409	SE022162449A	SNODO ASSIALE AXIAL JOINT		RHT M14x1,5
0901159	SE138162132A *	KIT CUFFIE STERZO STEERING GAITER KIT		
1211059	SE138162132A	CUFFIA STERZO STEERING GAITER		
1211060	SE138162131A	CUFFIA STERZO STEERING GAITER		
1214005	4402362	SILENTBLOCK BUSHING		
1215312	7674701	SILENTBLOCK BUSHING	1)	

DESTRO
RIGHTSINISTRO
LEFT

IBIZA I - MALAGA I

IBIZA I - MALAGA I

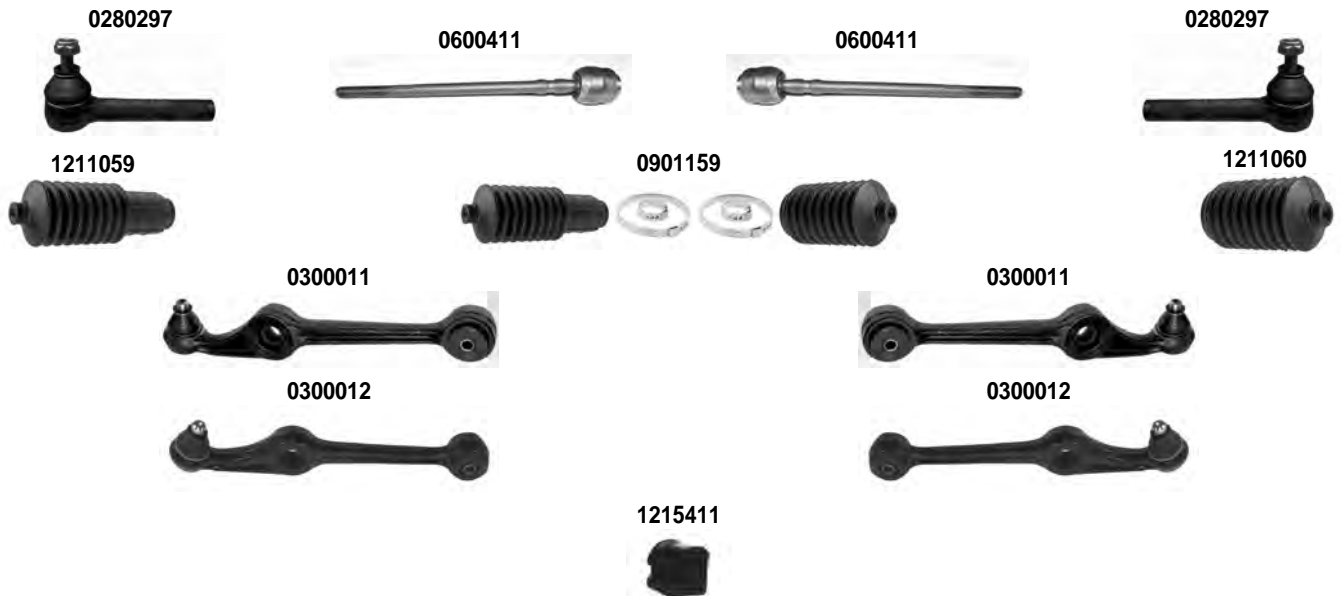
021A

07/1986 > 1993
07/1986 > 1993

Asse Anteriore



Front Axle



i 1) > 12/1987 3) MOD. IBIZA ULTIMA SERIE - IBIZA LAST MODEL		2) 01/1988 >		
OCAP	O.E.		i	
0280297	SE022162406A	TESTA STERZO TIE ROD END		RHT M12x1,5
0300011	SE021156110A	BRACCIO OSCILLANTE TRACK CONTROL ARM	1)	
0300012	SE021156110B	BRACCIO OSCILLANTE TRACK CONTROL ARM	2)	
0600411	SE022162449B	SNODO ASSIALE AXIAL JOINT		RHT M12x1,5
0901159	SE138162132A *	KIT CUFFIE STERZO STEERING GAITER KIT		
1211059	SE138162132A	CUFFIA STERZO STEERING GAITER		
1211060	SE138162131A	CUFFIA STERZO STEERING GAITER		
1215411	191411314	BOCCOLA BARRA STABILIZZATRICE STABILIZING BAR BUSHING	3)	DIAM. 17 mm.

DESTRO
RIGHT



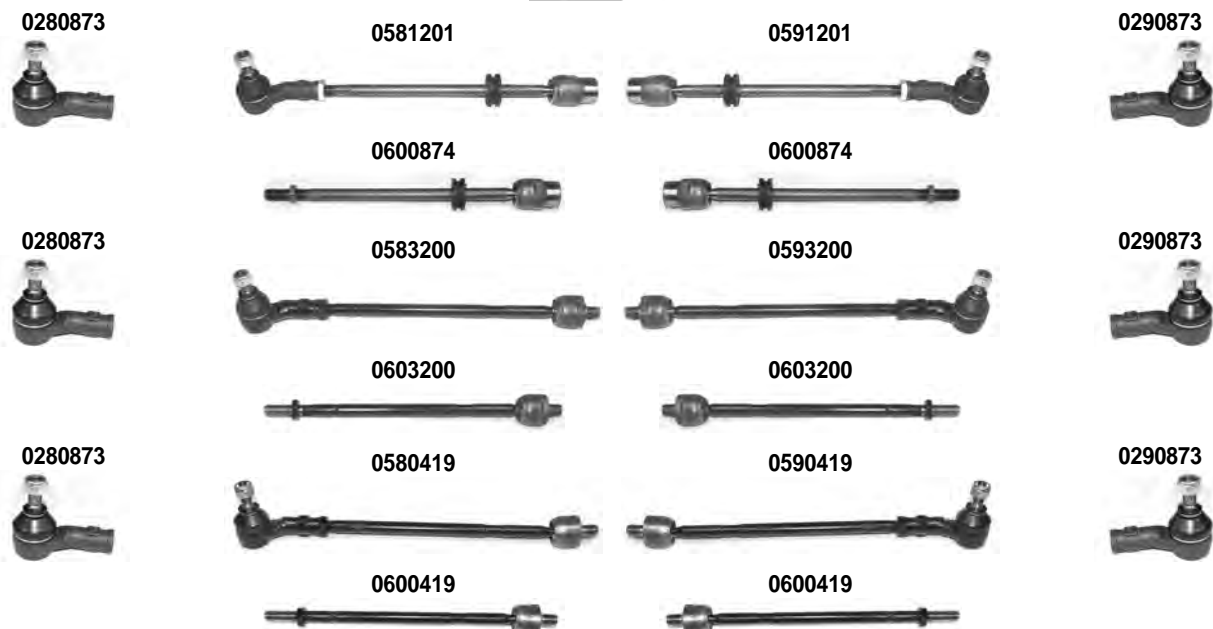
SINISTRO
LEFT

IBIZA II CORDOBA TOLEDO I (EXC. 2.0-16V)	6K1 6K1-6K2 1L	1993 > 08/1999 > 06/1999 > 03/1999
--	----------------------	--

Asse Anteriore



Front Axle



i 1) STERZO MANUALE - MANUAL STEERING 3) MOD. IBIZA - TOLEDO > 1L-ZD-320000	2) SERVOSTERZO - POWER STEERING 4) MOD. CORDOBA - TOLEDO 1L-ZD-32001 >
---	---

OCAP	O.E.		i	
0280873	191419812	TESTA STERZO TIE ROD END		
0290873	191419811	TESTA STERZO TIE ROD END		
0580419	6K0422804	BARRA STERZO TIE ROD	2) 4)	
0581201	191419804A	BARRA STERZO TIE ROD	1)	
0583200	191422804A	BARRA STERZO TIE ROD	2) 3)	
0590419	6K0422803	BARRA STERZO TIE ROD	2) 4)	
0591201	191419803A	BARRA STERZO TIE ROD	1)	
0593200	191422803A	BARRA STERZO TIE ROD	2) 3)	
0600419	6K0422804 *	SNODO ASSIALE AXIAL JOINT	2) 4)	
0600874	191419821	SNODO ASSIALE AXIAL JOINT	1)	
0603200	-	SNODO ASSIALE AXIAL JOINT	2) 3)	

DESTRO
RIGHTSINISTRO
LEFTIBIZA II
CORDOBA
TOLEDO I (EXC. 2.0-16V)6K1
6K1-6K2
1L1993 > 08/1999
> 06/1999
> 03/1999

Asse Anteriore



Front Axle

1211124



0901682



1211124



1211287



0900419



1211287



0401235



0700403



1215060



1215060



0700403



0401235



0401235-K



1215039





1215039



0401235-K

**i** 1) STERZO MANUALE - MANUAL STEERING
5) SCATOLA STERZO - STEERING BOX - TRW2) SERVOSTERZO - POWER STEERING
6) CON SILENTBLOCK - WITH BUSHING

OCAP	O.E.		i	
0401235	357407365A	SNODO SOSPENSIONE - INFERIORE SUSPENSION JOINT - LOWER		DIAM. 19 mm.
0700403	191407151B	BRACCIO OSCILLANTE - INFERIORE TRACK CONTROL ARM - LOWER	6)	
0900419	1H0422831B *	KIT CUFFIE STERZO STEERING GAITER KIT	2)	
0901682	191419831 *	KIT CUFFIE STERZO STEERING GAITER KIT	1)	
1211124	191419831	CUFFIA STERZO STEERING GAITER	1)	
1211287	1H0422831B	CUFFIA STERZO STEERING GAITER	2) 5)	
1215039	357407182	SILENTBLOCK BUSHING		
1215060	191407181E	SILENTBLOCK BUSHING		
0401235-K	357407365A **	SNODO SOSPENSIONE - INFERIORE - CON KIT SUSPENSION JOINT - LOWER - WITH KIT		DIAM. 19 mm.

DESTRO
RIGHT



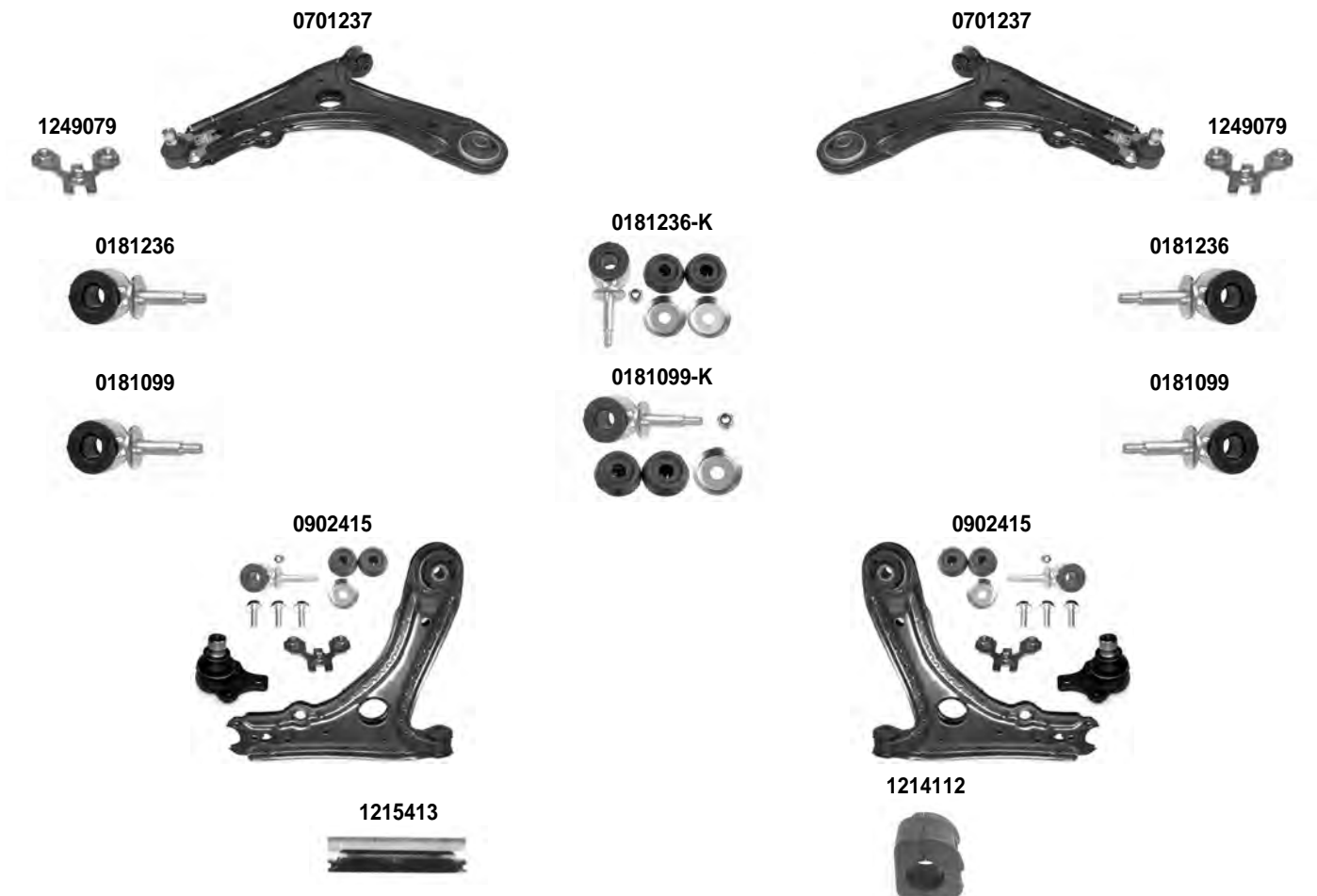
SINISTRO
LEFT

IBIZA II CORDOBA TOLEDO I (EXC. 2.0-16V)	6K1 6K1-6K2 1L	1993 > 08/1999 > 06/1999 > 03/1999
--	----------------------	--

Asse Anteriore



Front Axle



i 7) > CH. 1L-ZD-320000	8) CH. 1L-ZD-320001 >
--------------------------------	-----------------------

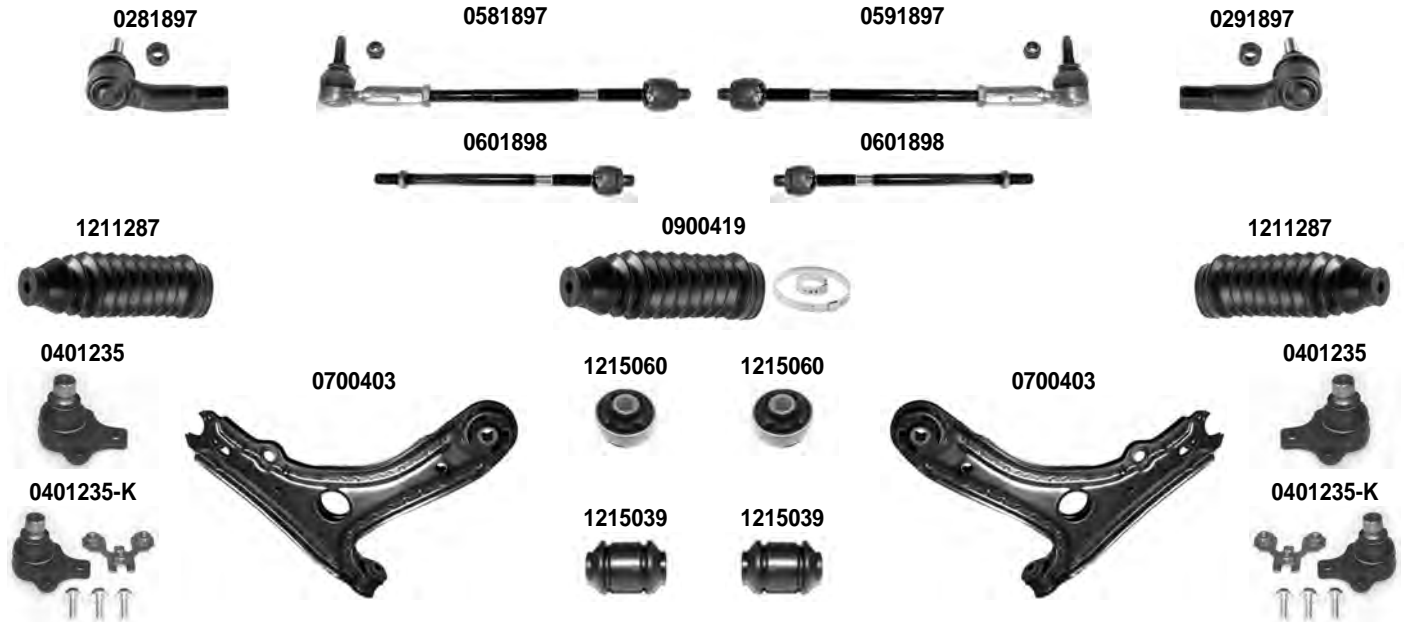
OCAP	O.E.		i	
0181099	191411315B	PUNTONE BARRA STABILIZZATRICE STABILIZER LINK	8)	
0181236	191411315	PUNTONE BARRA STABILIZZATRICE STABILIZER LINK	7)	
0701237	191407153A *	BRACCIO OSCILLANTE - INFERIORE - COMPLETO COMPLETE TRACK CONTROL ARM - LOWER		
0902415	357407365A *	KIT RIPARAZIONE BRACCIO COMPLETO COMPLETE REPAIRING KIT CONTROL ARM	8)	DIAM. 19 mm.
1214112	1H0411314	SILENTBLOCK BARRA STABILIZZATRICE STABILIZING BAR BUSHING		DIAM. 19 mm.
1215413	191407190A	BOCCOLA CENTRAGGIO BRACCIO OSCILLANTE BOLT TO CENTRE CONTROL ARM		
1249079	191407175	STAFFA SNODO SOSPENSIONE BALL JOINT BRACKET		
0181099-K	191411315B *	KIT PUNTONE BARRA STABILIZZATRICE STABILIZER LINK KIT	8)	
0181236-K	191411315 *	KIT PUNTONE BARRA STABILIZZATRICE STABILIZER LINK KIT	7)	



DESTRO
RIGHTSINISTRO
LEFTIBIZA II
CORDOBA VARIO6K1
6K51999 > 2002
1999 > 2002

Asse Anteriore



Front Axle


i 1) CON SILENTBLOCK - WITH BUSHING

OCAP	O.E.		i	
0281897	6K0422812	TESTA STERZO TIE ROD END		
0291897	6K0422811	TESTA STERZO TIE ROD END		
0401235	357407365	SNODO SOSPENSIONE - INFERIORE SUSPENSION JOINT - LOWER		DIAM. 19 mm.
0581897	6K0422804E	BARRA STERZO TIE ROD		
0591897	6K0422803E	BARRA STERZO TIE ROD		
0601898	6K0422804E *	SNODO ASSIALE AXIAL JOINT		
0700403	191407151B	BRACCIO OSCILLANTE - INFERIORE TRACK CONTROL ARM - LOWER	1)	
0900419	1H0422831B *	KIT CUFFIE STERZO STEERING GAITER KIT		
1211287	1H0422831B	CUFFIA STERZO STEERING GAITER		
1215039	357407182	SILENTBLOCK BUSHING		
1215060	191407181E	SILENTBLOCK BUSHING		
0401235-K	357407365A **	SNODO SOSPENSIONE - INFERIORE - CON KIT SUSPENSION JOINT - LOWER - WITH KIT		DIAM. 19 mm.

DESTRO
RIGHT



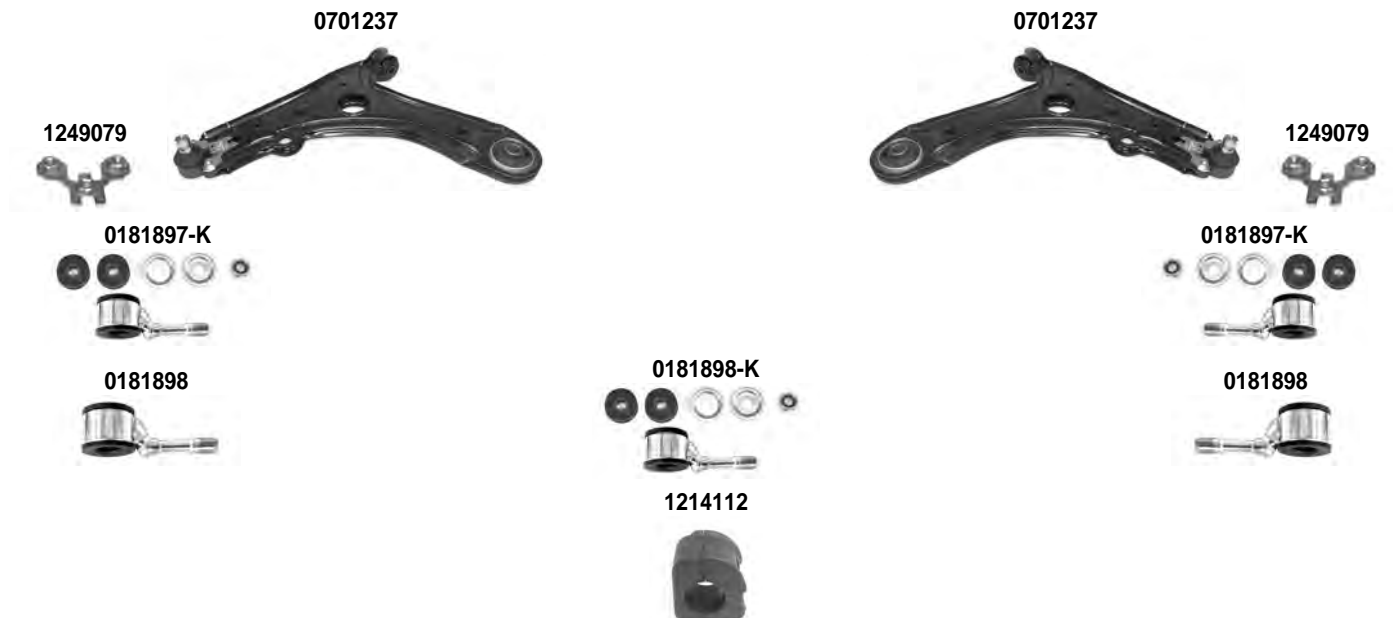
SINISTRO
LEFT

IBIZA II CORDOBA VARIO	6K1 6K5	1999 > 2002 1999 > 2002
-----------------------------------	------------	----------------------------

Asse Anteriore



Front Axle



i 2) CH. > 6K-X-430579	3) CH. 6K-X-430580 >
-------------------------------	--------------------------------

OCAP	O.E.		i	
0181898	6K0411315	PUNTONE STABILIZER LINK	3)	
0701237	191407153A *	BRACCIO OSCILLANTE COMPLETO COMPLETE TRACK CONTROL ARM		
1214112	1H0411314	SILENTBLOCK BARRA STABILIZZATRICE STABILIZING BAR BUSHING		DIAM. 19 mm.
1249079	191407175	STAFFA LOOK PLATE		
0181897-K	191411315A *	KIT PUNTONE STABILIZER LINK KIT	2)	
0181898-K	6K0411315 *	KIT PUNTONE STABILIZER LINK KIT	3)	

DESTRO
RIGHTSINISTRO
LEFT

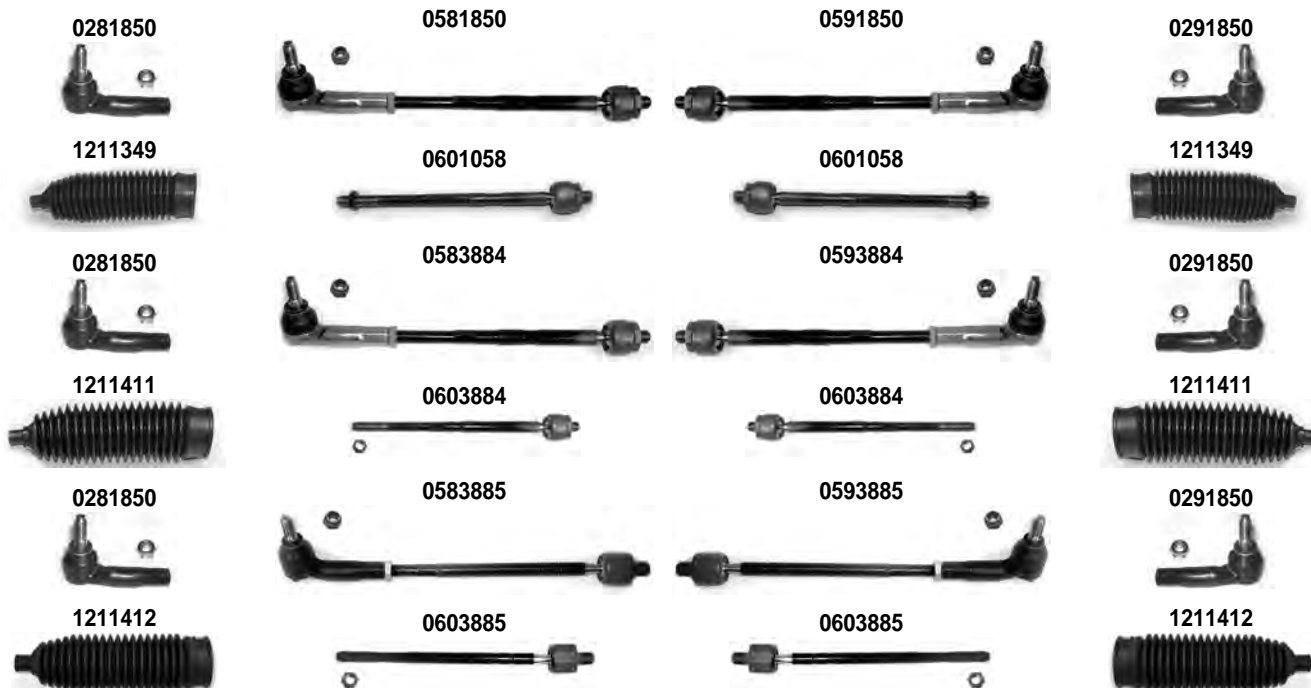
IBIZA III

IBIZA III
CORDOBA6L1
6L202/2002 > 11/2009
10/2002 > 11/2009

Asse Anteriore



Front Axle



i	1) CH. > 6L-3-162 980	2) SCATOLA STERZO - STEERING BOX - TRW 4) SERVOSTERZO - POWER STEERING
	3) CH. 6L-3-162 980 >	
	5) SCATOLA STERZO - STEERING BOX - SMI-KOYO	

OCAP	O.E.		i	
0281850	6R0423812	TESTA STERZO TIE ROD END		
0291850	6R0423811	TESTA STERZO TIE ROD END		
0581850	6Q0423804B	BARRA STERZO TIE ROD	1) 2)	
0583884	6Q0423804E	BARRA STERZO TIE ROD	2) 3)	
0583885	6Q0423804G	BARRA STERZO TIE ROD	4) 5)	
0591850	6Q0423803B	BARRA STERZO TIE ROD	1) 2)	
0593884	6Q0423803E	BARRA STERZO TIE ROD	2) 3)	
0593885	6Q0423803G	BARRA STERZO TIE ROD	4) 5)	
0601058	6X0422804 *	SNODO ASSIALE AXIAL JOINT	1) 2)	
0603884	6Q0423804E *	SNODO ASSIALE AXIAL JOINT	2) 3)	
0603885	6Q0423804G *	SNODO ASSIALE AXIAL JOINT	4) 5)	
1211349	6E0419831	CUFFIA STERZO STEERING GAITER	1) 2) 4)	
1211411	6Q0423831D	CUFFIA STERZO STEERING GAITER	2) 3) 4)	
1211412	6Q0423831A	CUFFIA STERZO STEERING GAITER	4) 5)	

DESTRO
RIGHT



SINISTRO
LEFT

IBIZA III CORDOBA	6L1 6L2	02/2002 > 11/2009 10/2002 > 11/2009
------------------------------	------------	--

Asse Anteriore



Front Axle



i 6) > CH. 6L-8-157 034

OCAP	O.E.		i	
0481852	6Q0407366A	SNODO SOSPENSIONE - CON KIT VITI BALL JOINT - WITH BOLT KIT	6)	
0491852	6Q0407365A	SNODO SOSPENSIONE - CON KIT VITI BALL JOINT - WITH BOLT KIT	6)	
0701852	6Q0407151L	BRACCIO OSCILLANTE TRACK CONTROL ARM	6)	
0781852	-	BRACCIO OSCILLANTE - COMPLETO COMPLETE TRACK CONTROL ARM	6)	
0791852	-	BRACCIO OSCILLANTE - COMPLETO COMPLETE TRACK CONTROL ARM	6)	
1215558	6Q0407182A	SILENTBLOCK CENTRALE CENTRAL BUSHING	6)	
1215567	1K0407183E	SILENTBLOCK ESTREMO OUTER BUSHING	6)	
1249203	6N0407175A	STAFFA LOOK PLATE		
1249650	6Q0199294D	SUPPORTO BRACCIO CONTROL ARM SUPPORT		
1249651	6Q0199293D	SUPPORTO BRACCIO CONTROL ARM SUPPORT		

DESTRO
RIGHTSINISTRO
LEFTIBIZA III
CORDOBA6L1
6L202/2002 > 11/2009
10/2002 > 11/2009

Asse Anteriore



Front Axle

0485341



0783272



1215198



1215198



0793272



0495341



1215039



1215039



0785342



1216035



1216035





0795342



i 7) CH. 6L-8-173 860 >

8) VERSIONE RINFORZATA - REINFORCED

OCAP	O.E.		i	
0485341	6R0407366	SNODO SOSPENSIONE - CON KIT VITI BALL JOINT - WITH BOLT KIT	7)	
0495341	6R0407365	SNODO SOSPENSIONE - CON KIT VITI BALL JOINT - WITH BOLT KIT	7)	
0783272	6R0407152	BRACCIO OSCILLANTE TRACK CONTROL ARM	7)	
0785342	6R0407152 *	BRACCIO OSCILLANTE - COMPLETO COMPLETE TRACK CONTROL ARM	7)	
0793272	6R0407151	BRACCIO OSCILLANTE TRACK CONTROL ARM	7)	
0795342	6R0407151 *	BRACCIO OSCILLANTE - COMPLETO COMPLETE TRACK CONTROL ARM	7)	
1215039	357407182	SILENTBLOCK CENTRALE CENTRAL BUSHING	7)	
1215198	1J0407181	SILENTBLOCK ESTREMO OUTER BUSHING	7)	
1216035	8N0407181B	SILENTBLOCK ESTREMO OUTER BUSHING	8)	

DESTRO
RIGHT



SINISTRO
LEFT

IBIZA III CORDOBA	6L1 6L2	02/2002 > 11/2009 10/2002 > 11/2009
------------------------------	------------	--

Asse Anteriore



Front Axle



Asse Posteriore



Rear Axle



OCAP	O.E.			
0501390	6Q0411315G	STABILIZZATORE STABILIZER LINK		
0903137	6R0501541A *	KIT SILENTBLOCK BUSHING KIT		DIAM. 72 mm.
0905577	1J0501541D *	KIT SILENTBLOCK BUSHING KIT		DIAM. 69 mm.
1214092	6Q0411314L	SILENTBLOCK BARRA STABILIZZATRICE STABILIZING BAR BUSHING		DIAM. 16 mm.
1214135	6Q0411314Q	SILENTBLOCK BARRA STABILIZZATRICE STABILIZING BAR BUSHING		DIAM. 17 mm.
1214262	6Q0411314R	SILENTBLOCK BARRA STABILIZZATRICE STABILIZING BAR BUSHING		DIAM. 18 mm.
1215200	6R0501541A	SILENTBLOCK BUSHING		DIAM. 72 mm.
1216151	1J0501541D	SILENTBLOCK BUSHING		DIAM. 69 mm.

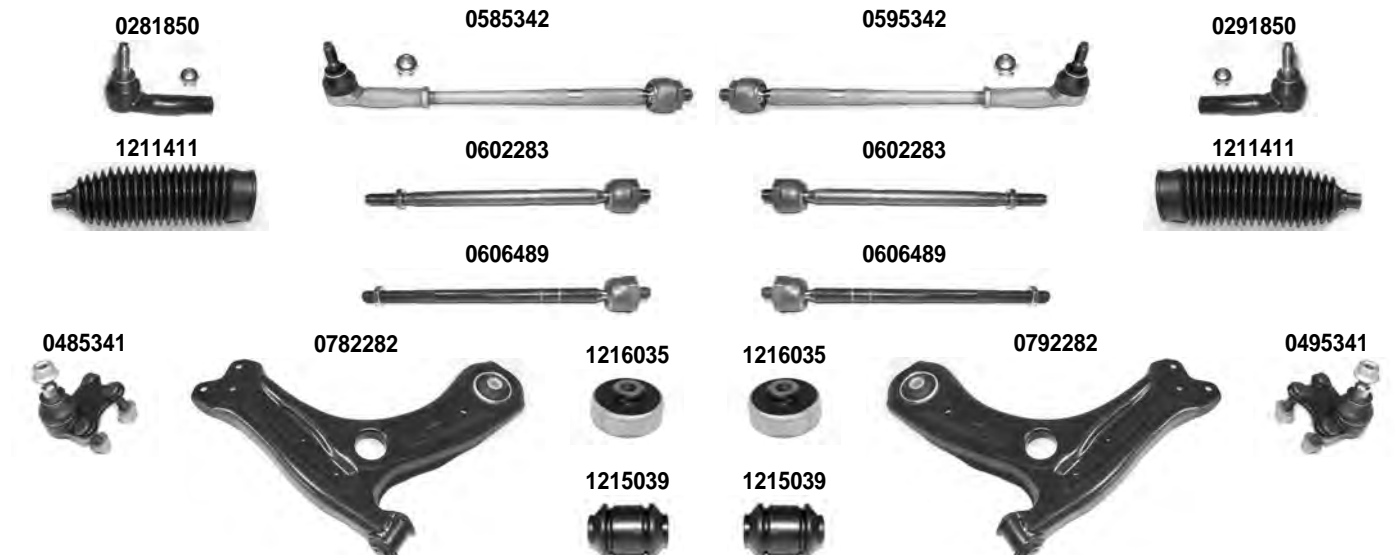
DESTRO
RIGHTSINISTRO
LEFT

IBIZA IV IBIZA SPORTCOUPE' IV IBIZA ST IV TOLEDO IV	6J5-6P1 6J1-6P5 6J8-6P8 KG3	03/2008 > 07/2008 > 03/2010 > 07/2012 >
--	--------------------------------------	--

Asse Anteriore



Front Axle



i 1) SERVOSTERZO ELETTRO-IDRAULICO - ELECTROHYDRAULIC STEERING 3) > 06/2010	2) SOLO PER TOLEDO - ONLY FOR TOLEDO
--	--------------------------------------

OCAP	O.E.		i	
0281850	6R0423812	TESTA STERZO TIE ROD END	1)	RHT M14x1,5
0291850	6R0423811	TESTA STERZO TIE ROD END	1)	RHT M14x1,5
0485341	6R0407366	SNODO SOSPENSIONE - INFERIORE BALL JOINT - LOWER		
0495341	6R0407365	SNODO SOSPENSIONE - INFERIORE BALL JOINT - LOWER		
0585342	6R0423804A	BARRA STERZO TIE ROD	1)	
0595342	6R0423803A	BARRA STERZO TIE ROD	1)	
0602283	6R0423804A *	SNODO ASSIALE AXIAL JOINT	1)	RHT M14x1,5
0606489	6C0423810C	SNODO ASSIALE AXIAL JOINT	2)	RHT M14x1,5
0782282	6R0407152B	BRACCIO OSCILLANTE - INFERIORE TRACK CONTROL ARM - LOWER	3)	
0792282	6R0407151B	BRACCIO OSCILLANTE - INFERIORE TRACK CONTROL ARM - LOWER	3)	
1211411	6Q0423831D	CUFFIA STERZO STEERING GAITER	1)	
1215039	357407182	SILENTBLOCK - CENTRALE CENTRAL BUSHING		
1216035	8N0407181B	SILENTBLOCK - ESTREMO OUTER BUSHING	3)	

DESTRO
RIGHT



SINISTRO
LEFT

IBIZA IV IBIZA SPORTCOUPE' IV IBIZA ST IV TOLEDO IV	6J5-6P1 6J1-6P5 6J8-6P8 KG3	03/2008 > 07/2008 > 03/2010 > 07/2012 >
--	--------------------------------------	--

Asse Anteriore



Front Axle



i 3) > 06/2010	4) 07/2010 >
-----------------------	--------------

OCAP	O.E.		i	
0485341	6R0407366	SNODO SOSPENSIONE - INFERIORE BALL JOINT - LOWER		
0495341	6R0407365	SNODO SOSPENSIONE - INFERIORE BALL JOINT - LOWER		
0782283	6R0407152B *	BRACCIO OSCILLANTE - INFERIORE - COMPLETO COMPLETE TRACK CONTROL ARM - LOWER	3)	
0785341	6R0407152F	BRACCIO OSCILLANTE - INFERIORE TRACK CONTROL ARM - LOWER	4)	
0786489	6R0407152F *	BRACCIO OSCILLANTE - INFERIORE - COMPLETO COMPLETE TRACK CONTROL ARM - LOWER	4)	
0792283	6R0407151B *	BRACCIO OSCILLANTE - INFERIORE - COMPLETO COMPLETE TRACK CONTROL ARM - LOWER	3)	
0795341	6R0407151F	BRACCIO OSCILLANTE - INFERIORE TRACK CONTROL ARM - LOWER	4)	
0796489	6R0407151F *	BRACCIO OSCILLANTE - INFERIORE - COMPLETO COMPLETE TRACK CONTROL ARM - LOWER	4)	
1215039	357407182	SILENTBLOCK CENTRALE CENTRAL BUSHING		
1215198	1J0407181	SILENTBLOCK ESTREMO OUTER BUSHING	4)	

DESTRO
RIGHT

 SINISTRO
LEFT

IBIZA IV IBIZA SPORTCOUPE' IV IBIZA ST IV TOLEDO IV	6J5-6P1 6J1-6P5 6J8-6P8 KG3	03/2008 > 07/2008 > 03/2010 > 07/2012 >
--	--------------------------------------	--

Asse Anteriore



Front Axle




0501390
1214092
1214135
1214262
0501390


Asse Posteriore



Rear Axle

1215200
0903137
1215200


OCAP	O.E.			
0501390	6Q0411315G	STABILIZZATORE STABILIZER LINK		
0903137	6R0501541A *	KIT SILENTBLOCK BUSHING KIT		DIAM. 72 mm.
1214092	6Q0411314L	SILENTBLOCK BARRA STABILIZZATRICE STABILIZING BAR BUSHING		DIAM. 16 mm.
1214135	6Q0411314Q	SILENTBLOCK BARRA STABILIZZATRICE STABILIZING BAR BUSHING		DIAM. 17 mm.
1214262	6Q0411314R	SILENTBLOCK BARRA STABILIZZATRICE STABILIZING BAR BUSHING		DIAM. 18 mm.
1215200	6R0501541A	SILENTBLOCK BUSHING		DIAM. 72 mm.

DESTRO
RIGHT

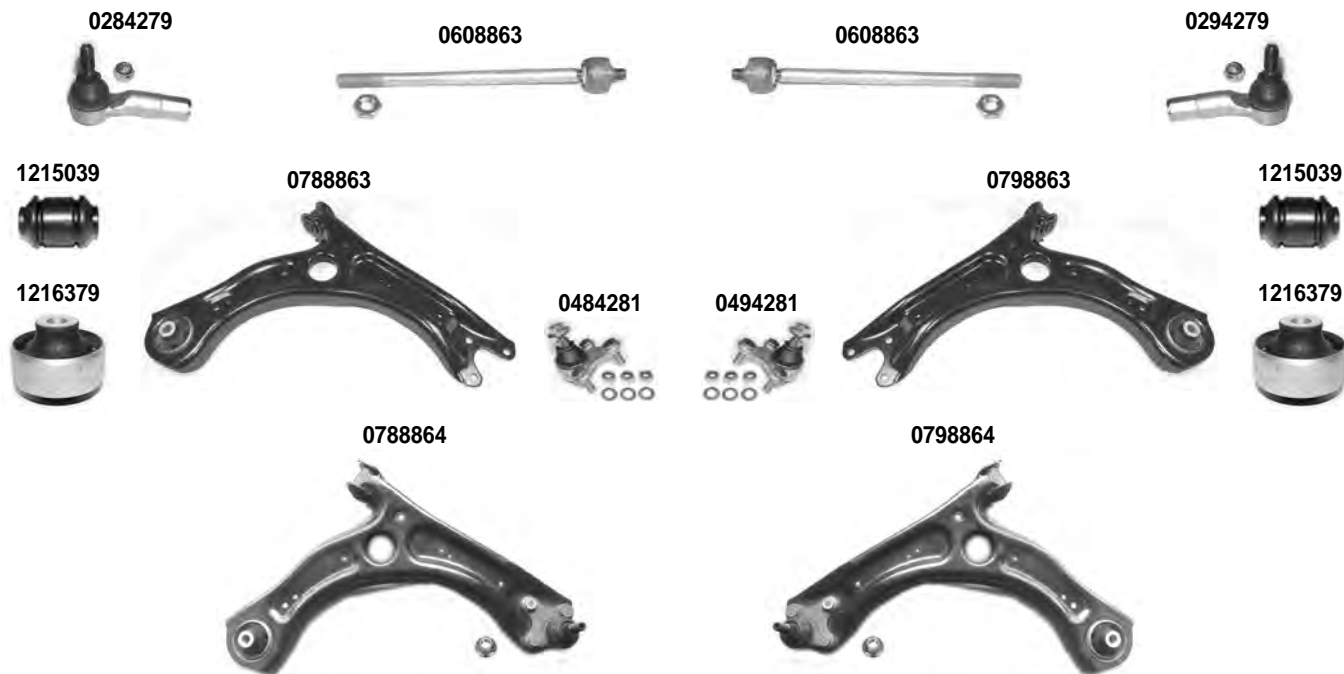


SINISTRO
LEFT

IBIZA V	KJ1	01/2017 >
---------	-----	-----------

Asse Anteriore

Front Axle



i 1) SOLO PER - ONLY FOR: MOD. 1.0TSI/TGI

OCAP	O.E.		i	
0284279	1K0423812E	TESTA STERZO TIE ROD END		RHT M16x1,5
0294279	1K0423811E	TESTA STERZO TIE ROD END		RHT M16x1,5
0484281	5Q0407366A	SNODO SOSPENSIONE BALL JOINT		
0494281	5Q0407365A	SNODO SOSPENSIONE BALL JOINT		
0608863	2Q0423810D	SNODO ASSIALE AXIAL JOINT		RHT M16x1,5
0788863	2Q0407152B	BRACCIO OSCILLANTE - INFERIORE TRACK CONTROL ARM - LOWER	1)	
0788864	2Q0407152B *	BRACCIO OSCILLANTE COMPLETO COMPLETE TRACK CONTROL ARM	1)	
0798863	2Q0407151B	BRACCIO OSCILLANTE - INFERIORE TRACK CONTROL ARM - LOWER	1)	
0798864	2Q0407151B *	BRACCIO OSCILLANTE COMPLETO COMPLETE TRACK CONTROL ARM	1)	
1215039	357407182	SILENTBLOCK BUSHING		
1216379	2Q0407152B **	SILENTBLOCK BUSHING	1)	

DESTRO
RIGHTSINISTRO
LEFT

IBIZA V

KJ1

01/2017 >

Asse Anteriore



Front Axle

1215039



0788865



0798865



1215039



1216229



0484281



0494281



1216229



0788866



0798866





0501390



0501390



i 2) SOLO PER - ONLY FOR: MOD. 1.5TSI-1.6TDI-2.0GTI

OCAP	O.E.		i	
0484281	5Q0407366A	SNODO SOSPENSIONE BALL JOINT		
0494281	5Q0407365A	SNODO SOSPENSIONE BALL JOINT		
0501390	6Q0411315G	STABILIZZATORE STABILIZER LINK		
0788865	2Q0407152C	BRACCIO OSCILLANTE - INFERIORE TRACK CONTROL ARM - LOWER	2)	
0788866	2Q0407152C *	BRACCIO OSCILLANTE COMPLETO COMPLETE TRACK CONTROL ARM	2)	
0798865	2Q0407151C	BRACCIO OSCILLANTE - INFERIORE TRACK CONTROL ARM - LOWER	2)	
0798866	2Q0407151C *	BRACCIO OSCILLANTE COMPLETO COMPLETE TRACK CONTROL ARM	2)	
1215039	357407182	SILENTBLOCK BUSHING		
1216229	5Q0407183E	SILENTBLOCK BUSHING		

DESTRO
RIGHT



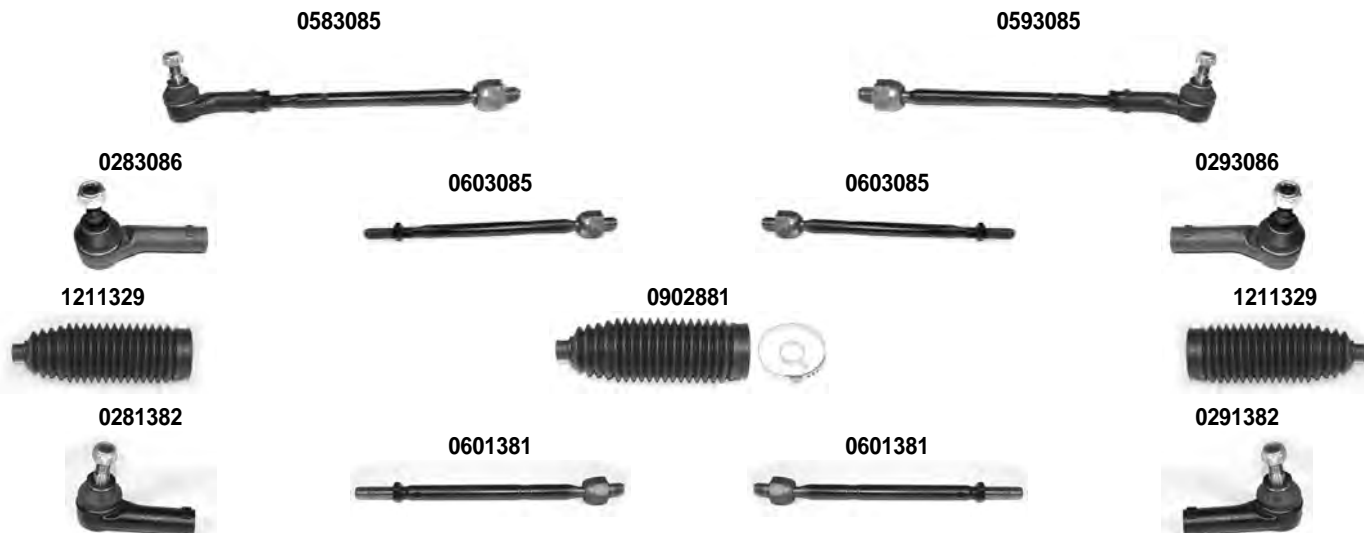
SINISTRO
LEFT

LEON TOLEDO	1M1 II	2000 > 2005 1999 > 2004
----------------	-----------	----------------------------

Asse Anteriore



Front Axle



i 1) ECCEPPO - EXCEPT: LEON 1.8 T CUPRA - TOLEDO 1.8 20 V	2) LEON 1.8 T CUPRA - TOLEDO 1.8 20 V
--	---------------------------------------

OCAP	O.E.		i	
0281382	8N0422812A	TESTA STERZO TIE ROD END	2)	RHT M16x1,5
0283086	1J0422812B	TESTA STERZO TIE ROD END		RHT M14x1,5
0291382	8N0422811A	TESTA STERZO TIE ROD END	2)	RHT M16x1,5
0293086	1J0422811B	TESTA STERZO TIE ROD END		RHT M14x1,5
0583085	1J0422804B	BARRA STERZO TIE ROD	1)	
0593085	1J0422803B	BARRA STERZO TIE ROD	1)	
0601381	8N0422807D	SNODO ASSIALE AXIAL JOINT	2)	RHT M16x1,5
0603085	1J0422807B	SNODO ASSIALE AXIAL JOINT	1)	RHT M14x1,5
0902881	-	KIT CUFFIE STERZO STEERING GAITER KIT		
1211329	1J0422831B	CUFFIA STERZO STEERING GAITER		

DESTRO
RIGHTSINISTRO
LEFTLEON
TOLEDO1M1
II2000 > 2005
1999 > 2004

Asse Anteriore



Front Axle



3) CON SILENTBLOCK - WITH BUSHING

4) VERSIONE RINFORZATA - REINFORCED

OCAP	O.E.		
0483037	1J0407366C	SNODO SOSPENSIONE SUSPENSION JOINT	
0493037	1J0407365C	SNODO SOSPENSIONE SUSPENSION JOINT	
0702882	1J0407151B	BRACCIO OSCILLANTE TRACK CONTROL ARM	3)
0782883	1J0407151B *	BRACCIO OSCILLANTE COMPLETO COMPLETE TRACK CONTROL ARM	
0792883	1J0407151A *	BRACCIO OSCILLANTE COMPLETO COMPLETE TRACK CONTROL ARM	
1215039	357407182	SILENTBLOCK BUSHING	
1215198	1J0407181	SILENTBLOCK BUSHING	
1216035	8N0407181B	SILENTBLOCK BUSHING	4)
1249121	1H0407175A	STAFFA STIRRUP	

DESTRO
RIGHT



SINISTRO
LEFT

LEON TOLEDO	1M1 II	2000 > 2005 1999 > 2004
----------------	-----------	----------------------------

Asse Anteriore



Front Axle



Asse Posteriore



Rear Axle



i 5) SOLO PER - ONLY FOR : LEON 1.8 T - 2.8

OCAP	O.E.		i	
0501453	1J0411315H	STABILIZZATORE STABILIZER LINK		
0581386	1J0411316D	STABILIZZATORE STABILIZER LINK	5)	
0591386	1J0411315D	STABILIZZATORE STABILIZER LINK	5)	
0903137	6R0501541A *	KIT SILENTBLOCK BUSHING KIT		DIAM. 72 mm.
0905577	1J0501541D *	KIT SILENTBLOCK BUSHING KIT		DIAM. 69 mm.
1214089	1J0411314T	SILENTBLOCK BARRA STABILIZZATRICE STABILIZING BAR BUSHING		DIAM. 21 mm.
1214142	1J0411314AC	SILENTBLOCK BARRA STABILIZZATRICE STABILIZING BAR BUSHING		DIAM. 18 mm.
1215200	6R0501541C	SILENTBLOCK BUSHING		DIAM. 72 mm.
1216151	1J0501541D	SILENTBLOCK BUSHING		DIAM. 69 mm.

DESTRO
RIGHTSINISTRO
LEFT

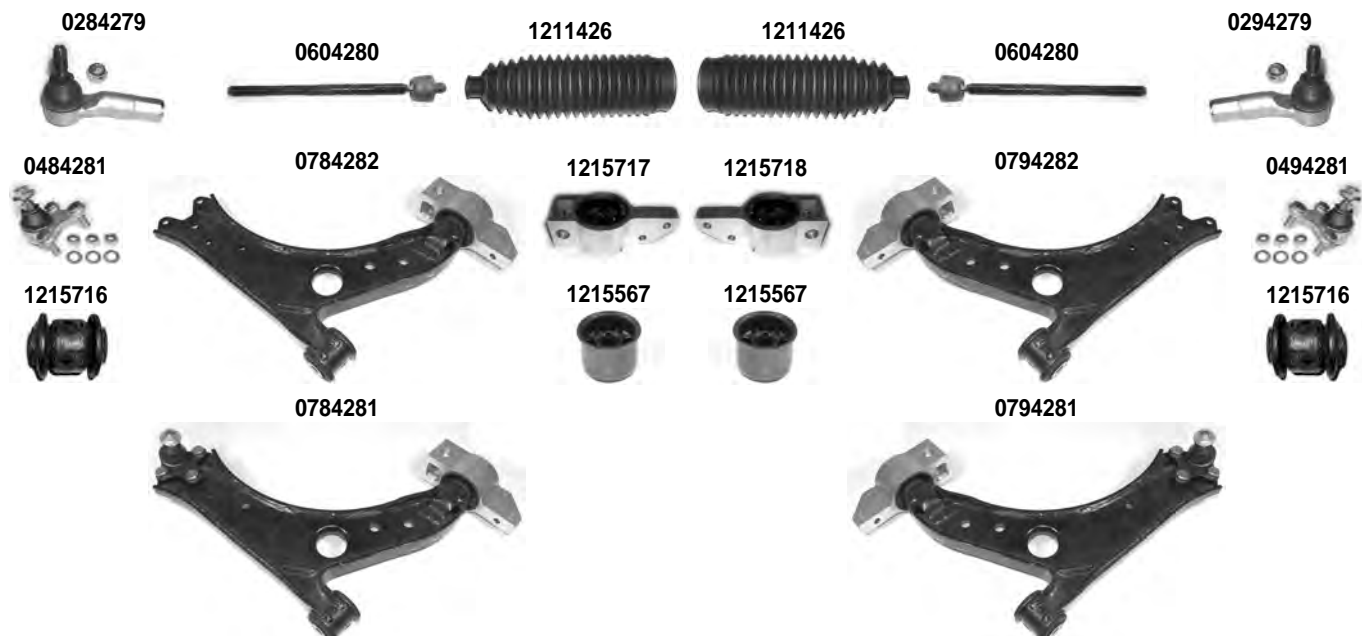
LEON

LEON TOLEDO ALTEA ALTEA XL	1P1 5P2 5P1 5P5, 5P8	09/2005 > 2012 10/2004 > 2009 03/2004 > 10/2006 >
-------------------------------------	-------------------------------	--

Asse Anteriore



Front Axle



i 1) SOLO MOTORI A BENZINA SENZA REGOLAZIONE AUTOMATICA FARI - ONLY FOR GASOLINE ENGINES WITHOUT HEADLAMPS AUTOMATIC ADJUSTMENT

OCAP	O.E.		
0284279	1K0423812E	TESTA STERZO TIE ROD END	RHT M16x1,5
0294279	1K0423811E	TESTA STERZO TIE ROD END	RHT M16x1,5
0484281	5Q0407366A	SNODO SOSPENSIONE BALL JOINT	
0494281	5Q0407365A	SNODO SOSPENSIONE BALL JOINT	
0604280	1K0423810A	SNODO ASSIALE AXIAL JOINT	RHT M16x1,5
0784281	1K0407152AB *	BRACCIO OSCILLANTE COMPLETO COMPLETE TRACK CONTROL ARM	1)
0784282	1K0407152AB	BRACCIO OSCILLANTE TRACK CONTROL ARM	1)
0794281	1K0407151AB *	BRACCIO OSCILLANTE COMPLETO COMPLETE TRACK CONTROL ARM	1)
0794282	1K0407151AB	BRACCIO OSCILLANTE TRACK CONTROL ARM	1)
1211426	1K0423831A	CUFFIA STERZO STEERING GAITER	
1215567	1K0407183E	SILENTBLOCK BUSHING	
1215716	1K0407182	SILENTBLOCK CENTRALE CENTRAL BUSHING	
1215717	1K0199232J	SILENTBLOCK ESTREMO - ALLUMINIO OUTER BUSHING - ALUMINIUM	
1215718	1K0199231J	SILENTBLOCK ESTREMO - ALLUMINIO OUTER BUSHING - ALUMINIUM	

DESTRO
RIGHT



SINISTRO
LEFT

LEON TOLEDO ALTEA ALTEA XL	1P1 5P2 5P1 5P5, 5P8	09/2005 > 2012 10/2004 > 2009 03/2004 > 10/2006 >
-------------------------------------	-------------------------------	--

Asse Anteriore

Front Axle



i 2) SOLO MOTORI DIESEL E VEICOLI CON REGOLAZIONE AUTOMATICA FARI - ONLY FOR DIESEL ENGINE AND CARS WITH HEADLAMPS AUTOMATIC ADJUSTMENT

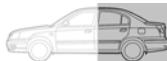
OCAP	O.E.		i	
0384376	1K0407152AC	BRACCIO OSCILLANTE - GHISA TRACK CONTROL ARM - CAST IRON	2)	
0384377	1K0407152AC *	BRACCIO OSCILLANTE COMPLETO - GHISA COMPLETE TRACK CONTROL ARM - CAST IRON	2)	
0394376	1K0407151AC	BRACCIO OSCILLANTE - GHISA TRACK CONTROL ARM - CAST IRON	2)	
0394377	1K0407151AC *	BRACCIO OSCILLANTE COMPLETO - GHISA COMPLETE TRACK CONTROL ARM - CAST IRON	2)	
0484281	5Q0407366A	SNODO SOSPENSIONE BALL JOINT		
0494281	5Q0407365A	SNODO SOSPENSIONE BALL JOINT		
0504283	1K0411315J	STABILIZZATORE STABILIZER LINK		
1214296	1K0411303AM *	SILENTBLOCK BARRA STABILIZZATRICE STABILIZING BAR BUSHING		DIAM. 23 mm.
1215567	1K0407183E	SILENTBLOCK BUSHING		
1215716	1K0407182	SILENTBLOCK CENTRALE CENTRAL BUSHING		
1215717	1K0199232J	SILENTBLOCK ESTREMO - ALLUMINIO OUTER BUSHING - ALUMINIUM		
1215718	1K0199231J	SILENTBLOCK ESTREMO - ALLUMINIO OUTER BUSHING - ALUMINIUM		

DESTRO
RIGHTSINISTRO
LEFT

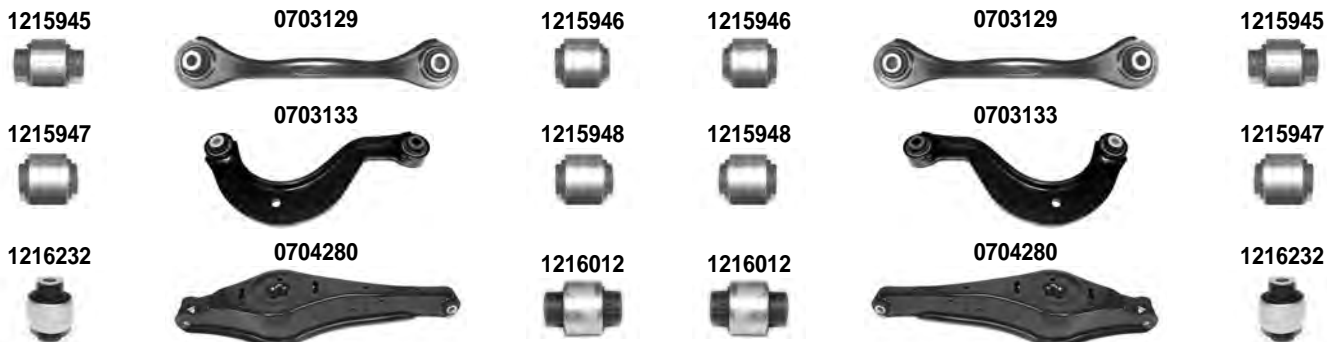
LEON

LEON TOLEDO ALTEA ALTEA XL	1P1 5P2 5P1 5P5, 5P8	09/2005 > 2012 10/2004 > 2009 03/2004 > 10/2006 >
-------------------------------------	-------------------------------	--

Asse Posteriore



Rear Axle

**i** 3) 06/2009 >

OCAP	O.E.		i	
0703129	1K0501529J	BRACCIO OSCILLANTE CONTROL ARM	3)	
0703133	1K0505323N	BRACCIO SOSPENSIONE SUSPENSION ARM		
0704280	1K0505311AB	BRACCIO SOSPENSIONE SUSPENSION ARM		
1215945	-	SILENTBLOCK BRACCIO SOSPENSIONE - INTERNO CONTROL ARM BUSHING - INNER		DIAM. 12 mm.
1215946	-	SILENTBLOCK BRACCIO SOSPENSIONE - ESTERNO CONTROL ARM BUSHING - OUTER		DIAM. 14 mm.
1215947	1K0505279A	SILENTBLOCK BRACCIO SOSPENSIONE - INTERNO SUSPENSION ARM BUSHING - INNER		DIAM. 12 mm.
1215948	1K0505203A	SILENTBLOCK BRACCIO SOSPENSIONE - ESTERNO SUSPENSION ARM BUSHING - OUTER		DIAM. 14 mm.
1216012	1K0505311AB *	SILENTBLOCK BUSHING		
1216232	1K0505553A	SILENTBLOCK BUSHING		

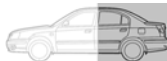
DESTRO
RIGHT



SINISTRO
LEFT

LEON TOLEDO ALTEA ALTEA XL	1P1 5P2 5P1 5P5, 5P8	09/2005 > 2012 10/2004 > 2009 03/2004 > 10/2006 >
-------------------------------------	-------------------------------	--

Asse Posteriore



Rear Axle



i 4) SOLO PER - ONLY FOR : ALTEA	5) ECCETTO - EXCEPT : TOLEDO
---	-------------------------------------

OCAP	O.E.		i	
0504378	1K0505465K	STABILIZZATORE STABILIZER LINK		
0788076	1K0505224K	BRACCIO SOSPENSIONE CONTROL ARM		
0798076	1K0505223K	BRACCIO SOSPENSIONE CONTROL ARM		
1214130	1K0511327AE	SILENTBLOCK BARRA STABILIZZATRICE STABILIZING BAR BUSHING	4)	DIAM. 18,5 mm.
1214131	1K0511327AR	SILENTBLOCK BARRA STABILIZZATRICE STABILIZING BAR BUSHING	5)	DIAM. 20,7 mm.
1214144	1K0511327AQ	SILENTBLOCK BARRA STABILIZZATRICE STABILIZING BAR BUSHING		DIAM. 17 mm.
1216070	1K0505541C	SILENTBLOCK BUSHING		

DESTRO
RIGHTSINISTRO
LEFT

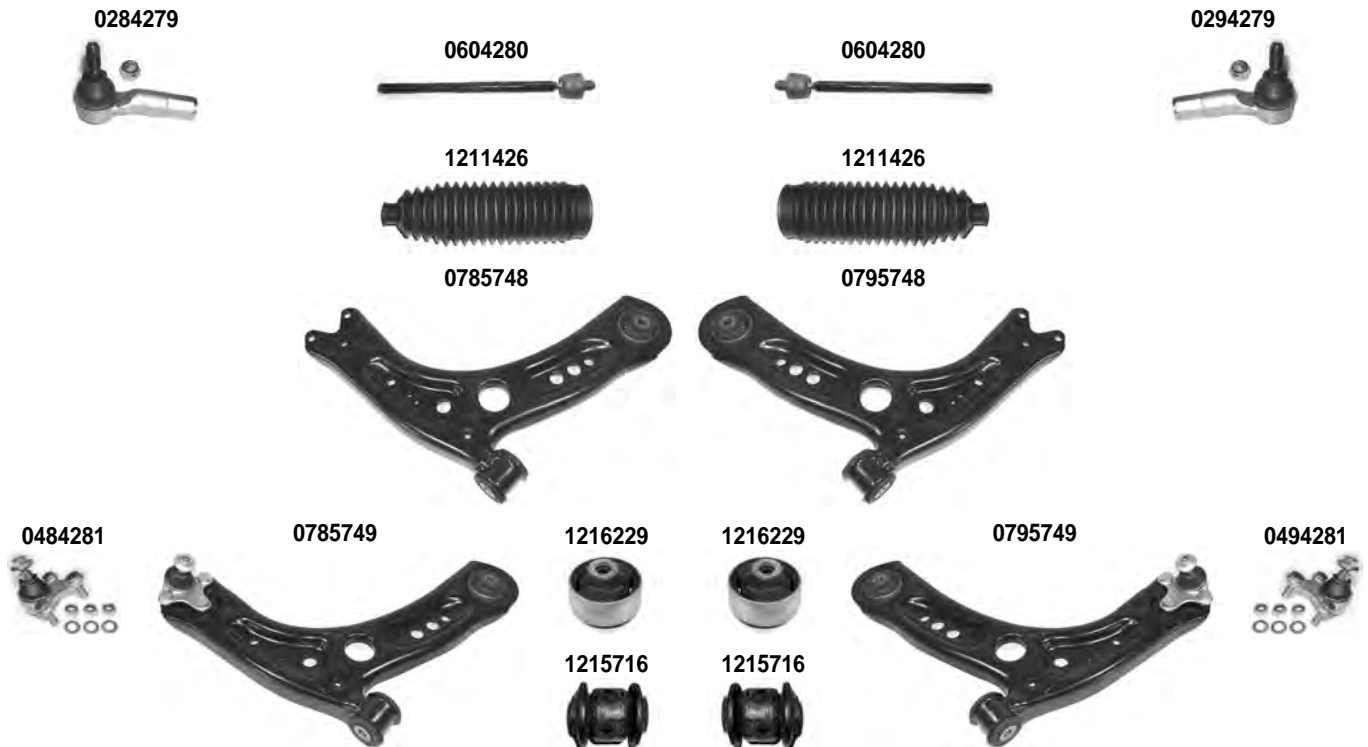
LEON

LEON
LEON SC5F
5F509/2012 >
01/2013 >

Asse Anteriore



Front Axle



i 1) MODELLI RUOTE STANDARD > 15" - > 15" WHEELS STANDARD

OCAP	O.E.		i	
0284279	1K0423812E	TESTA STERZO TIE ROD END		RHT M16X1,5
0294279	1K0423811E	TESTA STERZO TIE ROD END		RHT M16X1,5
0484281	5Q0407366A	SNODO SOSPENSIONE BALL JOINT	1)	
0494281	5Q0407365A	SNODO SOSPENSIONE BALL JOINT	1)	
0604280	1K0423810A	SNODO ASSIALE AXIAL JOINT		RHT M16X1,5
0785748	5Q0407152J	BRACCIO OSCILLANTE TRACK CONTROL ARM		
0785749	5Q0407152J *	BRACCIO OSCILLANTE - COMPLETO COMPLETE TRACK CONTROL ARM	1)	
0795748	5Q0407151J	BRACCIO OSCILLANTE TRACK CONTROL ARM		
0795749	5Q0407151J *	BRACCIO OSCILLANTE - COMPLETO COMPLETE TRACK CONTROL ARM	1)	
1211426	1K0423831A	CUFFIA STERZO STEERING GAITER		
1215716	1K0407182	SILENTBLOCK CENTRALE CENTRAL BUSHING		
1216229	5Q0407183E	SILENTBLOCK ESTREMO OUTER BUSHING		

DESTRO
RIGHT



SINISTRO
LEFT

LEON LEON SC	5F 5F5	09/2012 > 01/2013 >
-----------------	-----------	------------------------

Asse Anteriore



Front Axle



i 2) MODELLI RUOTE 16" > - WHEELS 16" >

OCAP	O.E.		i	
0482117	3C0407366B	SNODO SOSPENSIONE BALL JOINT	2)	
0492117	3C0407365B	SNODO SOSPENSIONE BALL JOINT	2)	
0504283	1K0411315J	STABILIZZATORE STABILIZER LINK		
0785750	3C0407366B *	BRACCIO OSCILLANTE - COMPLETO COMPLETE TRACK CONTROL ARM	2)	
0795750	3C0407365B *	BRACCIO OSCILLANTE - COMPLETO COMPLETE TRACK CONTROL ARM	2)	
1215716	1K0407182	SILENTBLOCK CENTRALE CENTRAL BUSHING		
1216229	5Q0407183E	SILENTBLOCK ESTREMO OUTER BUSHING		

DESTRO
RIGHTSINISTRO
LEFT

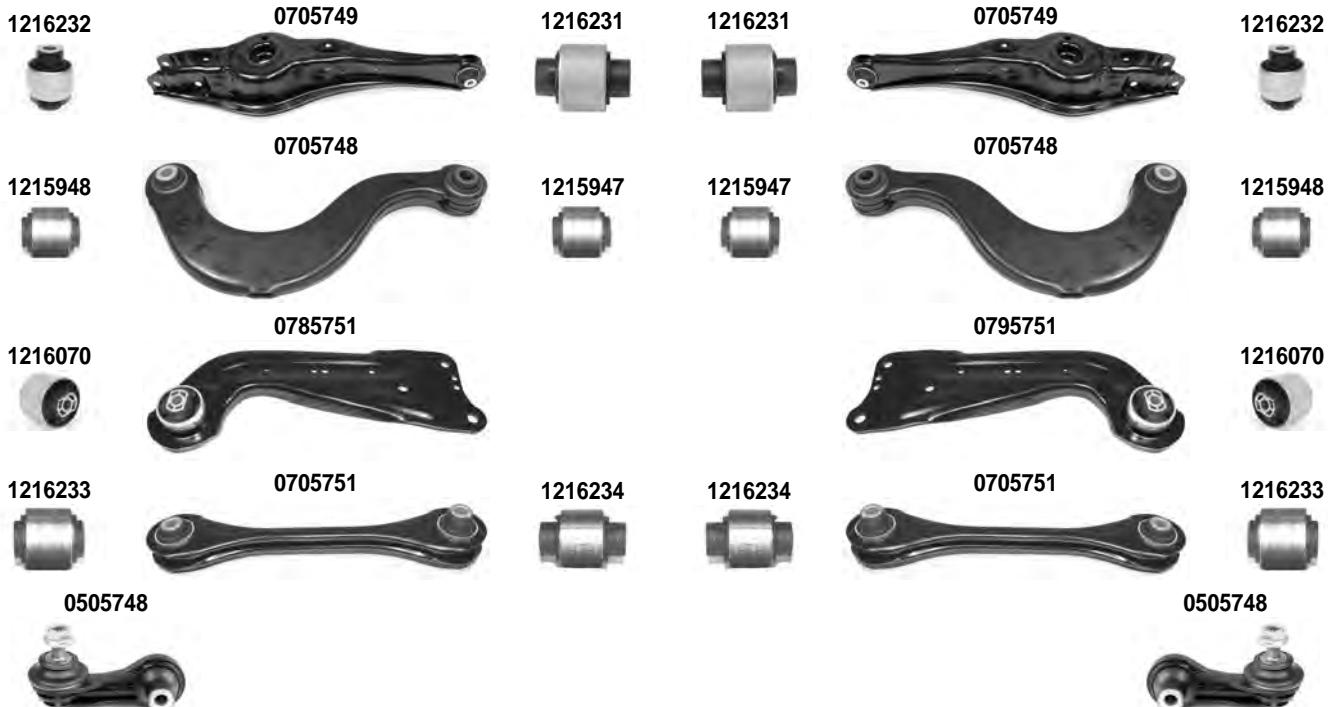
LEON

LEON
LEON SC5F
5F509/2012 >
01/2013 >

Asse Posteriore



Rear Axle

**i** 3) SOLO PER SOSPENSIONI MULTILINK - ONLY FOR MULTILINK SUSPENSION

OCAP	O.E.		i	
0505748	5Q0505465C	STABILIZZATORE STABILIZER LINK	3)	
0705748	5Q0505323D	BRACCIO SOSPENSIONE SUSPENSION ARM	3)	
0705749	5Q0505311D	BRACCIO SOSPENSIONE SUSPENSION ARM	3)	
0705751	5Q0501529C	BRACCIO SOSPENSIONE SUSPENSION ARM	3)	
0785751	5Q0505224D	BRACCIO SOSPENSIONE SUSPENSION ARM	3)	
0795751	5Q0505223D	BRACCIO SOSPENSIONE SUSPENSION ARM	3)	
1215947	1K0505279A	SILENTBLOCK BRACCIO SOSPENSIONE - INTERNO CONTROL ARM BUSHING - INNER	3)	DIAM. 12 mm.
1215948	1K0505203A	SILENTBLOCK BRACCIO SOSPENSIONE - ESTERNO CONTROL ARM BUSHING - OUTER	3)	DIAM. 14 mm.
1216070	1K0407541C	SILENTBLOCK BUSHING	3)	
1216231	5Q0505311D *	SILENTBLOCK BUSHING	3)	
1216232	1K0505553A	SILENTBLOCK BUSHING	3)	
1216233	5Q0501529C *	SILENTBLOCK BUSHING	3)	
1216234	5Q0501529C **	SILENTBLOCK BUSHING	3)	

DESTRO
RIGHT



SINISTRO
LEFT

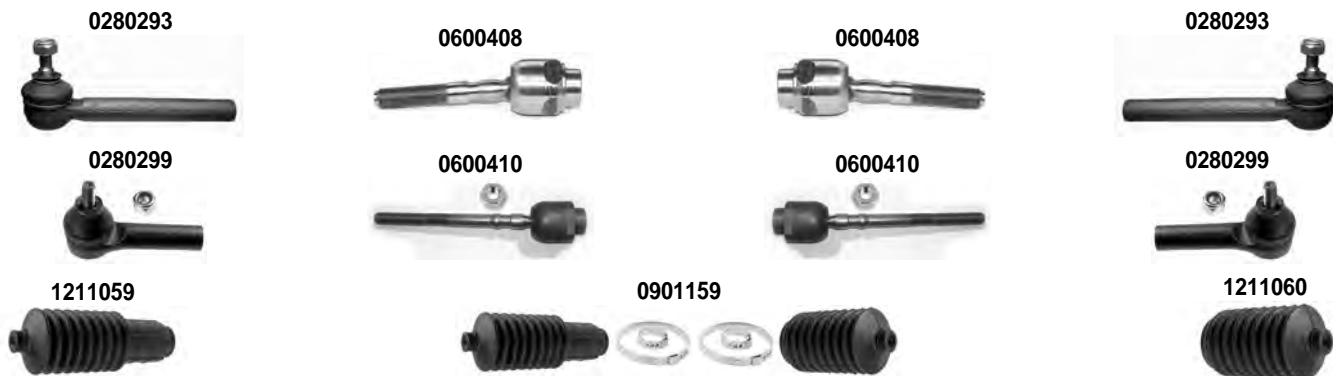
MARBELLA - TERRA

1986 > 1998

Asse Anteriore



Front Axle



i 1) 1986 >

OCAP	O.E.		i	
0280293	4402277	TESTA STERZO TIE ROD END		RHT M14x1
0280299	SE141162410A	TESTA STERZO TIE ROD END	1)	RHT M12x1,5
0600408	4318655	SNODO ASSIALE AXIAL JOINT		RHT M14x1
0600410	SE141162449A	SNODO ASSIALE AXIAL JOINT	1)	RHT M12x1,5
0901159	SE138162132A *	KIT CUFFIE STERZO STEERING GAITER KIT		
1211059	SE138162132A	CUFFIA STERZO STEERING GAITER		
1211060	SE138162131A	CUFFIA STERZO STEERING GAITER		

DESTRO
RIGHT

 SINISTRO
LEFT

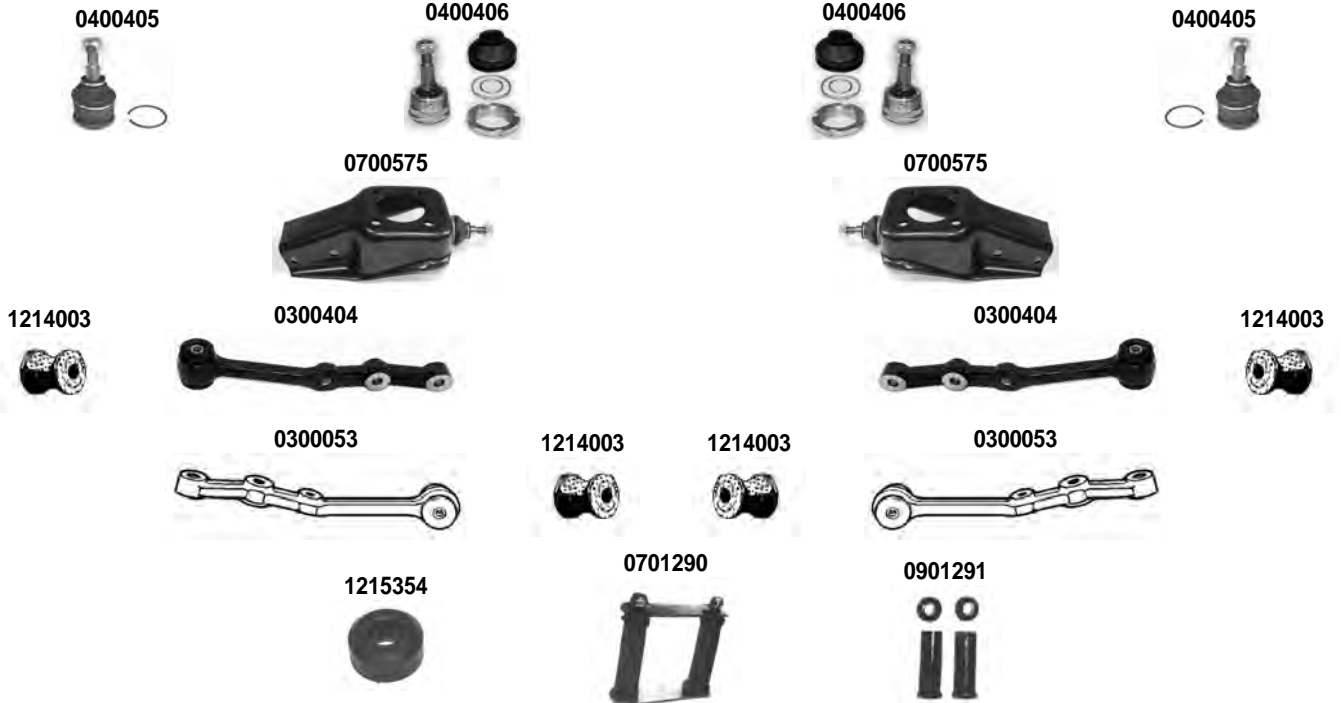
MARBELLA - TERRA

1986 > 1998

Asse Anteriore



Front Axle



i 2) > 1988		3) 1989 >		
OCAP	O.E.		i	
0300053	SE141156110A	BRACCIO OSCILLANTE - INFERIORE - TRACK CONTROL ARM - LOWER	3)	
0300404	4402672	BRACCIO OSCILLANTE - INFERIORE - TRACK CONTROL ARM - LOWER	2)	
0400405	4402649	SNODO SOSPENSIONE SUSPENSION JOINT		
0400406	4402649 *	SNODO SOSPENSIONE MODIFICATO MODIFIED SUSPENSION JOINT		
0700575	SE28140104A	SUPPORTO SOSPENSIONE ARM BRACKET		
0701290	4401813	SUPPORTO BALESTRA LEAF SPRING SUPPORT		
0901291	4401813 *	KIT SUPPORTO BALESTRA KIT LEAF SPRING SUPPORT		
1214003	4402672 *	SILENTBLOCK BUSHING		
1215354	4448132	BOCCOLA LATERALE BARRA STABILIZZATRICE STABILIZING BAR BUSHING - LATERAL		



Mii	10/2011 >
-----	-----------

Asse Anteriore

Front Axle



i 1) VERSIONE RINFORZATA - RENFORCED

OCAP	O.E.		i	
0285574	1S0423812A	TESTA STERZO TIE ROD END		RHT M14x1,5
0295574	1S0423811A	TESTA STERZO TIE ROD END		RHT M14x1,5
0485341	6R0407366	SNODO SOSPENSIONE - INFERIORE BALL JOINT - LOWER		
0495341	6R0407365	SNODO SOSPENSIONE - INFERIORE BALL JOINT - LOWER		
0605574	1S0423810A	SNODO ASSIALE AXIAL JOINT		RHT M14x1,5
0785574	1S0407152	BRACCIO OSCILLANTE - INFERIORE TRACK CONTROL ARM - LOWER		
0785575	1S0407152 *	BRACCIO OSCILLANTE - INFERIORE - COMPLETO COMPLETE TRACK CONTROL ARM - LOWER		
0795574	1S0407151	BRACCIO OSCILLANTE - INFERIORE TRACK CONTROL ARM - LOWER		
0795575	1S0407151 *	BRACCIO OSCILLANTE - INFERIORE - COMPLETO COMPLETE TRACK CONTROL ARM - LOWER		
1211628	1S0423831A	CUFFIA STERZO STEERING GAITER		
1215039	357407182	SILENTBLOCK CENTRALE CENTRAL BUSHING		
1215198	1J0407181	SILENTBLOCK ESTREMO OUTER BUSHING		
1216035	8N0407181B	SILENTBLOCK ESTREMO OUTER BUSHING	1)	

DESTRO
RIGHT

 SINISTRO
LEFT

Mii

10/2011 >

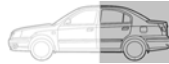
Asse Anteriore



Front Axle



0501390
1214092
0501390


Asse Posteriore



Rear Axle

1216150
1216150


OCAP	O.E.		
0501390	6Q0411315G	STABILIZZATORE STABILIZER LINK	
1214092	6Q0411314P	SILENTBLOCK BARRA STABILIZZATRICE STABILIZING BAR BUSHING	DIAM. 16 mm.
1216150	1S0501541B	SILENTBLOCK BUSHING	

DESTRO
RIGHT



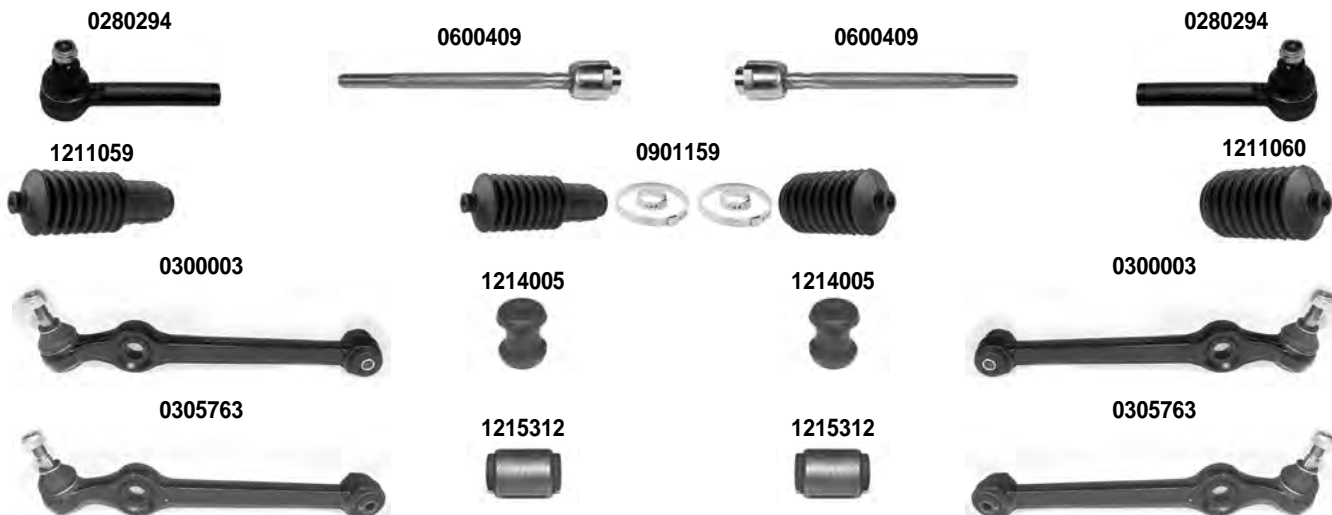
SINISTRO
LEFT

RONDA		1982 >
-------	--	--------

Asse Anteriore



Front Axle



i 1) VERSIONE RINFORZATA - REINFORCED VERSION

OCAP	O.E.		i	
0280294	4410415	TESTA STERZO TIE ROD END		RHT M14x1,5
0300003	SE138156110A	BRACCIO OSCILLANTE TRACK CONTROL ARM		
0305763	4402361 *	BRACCIO OSCILLANTE TRACK CONTROL ARM	1)	
0600409	SE022162449A	SNODO ASSIALE AXIAL JOINT		RHT M14x1,5
0901159	SE138162132A *	KIT CUFFIE STERZO STEERING GAITER KIT		
1211059	SE138162132A	CUFFIA STERZO STEERING GAITER		
1211060	SE138162131A	CUFFIA STERZO STEERING GAITER		
1214005	4402362	SILENTBLOCK BUSHING		
1215312	7674701	SILENTBLOCK BUSHING	1)	

DESTRO
RIGHTSINISTRO
LEFT

TOLEDO 2.0 - 16 V

> 03/1999

Asse Anteriore



Front Axle

0280873



0580202



0590202



0290873



0600202



0600202



1211287



0900419



1211287


i 1) SERVOSTERZO - POWER STEERING

OCAP	O.E.		i	
0280873	191419812	TESTA STERZO TIE ROD END		RHT M14x1,5
0290873	191419811	TESTA STERZO TIE ROD END		RHT M14x1,5
0580202	1H0422804A	BARRA STERZO TIE ROD	1)	
0590202	1H0422803A	BARRA STERZO TIE ROD	1)	
0600202	-	SNODO ASSIALE AXIAL JOINT	1)	RHT M14x1,5
0900419	1H0422831B *	KIT CUFFIE STERZO STEERING GAITER KIT	1)	
1211287	1H0422831B	CUFFIA STERZO STEERING GAITER	1)	

DESTRO
RIGHT



SINISTRO
LEFT

TOLEDO 2.0 - 16 V

> 03/1999

Asse Anteriore



Front Axle



i 2) CON SILENTBLOCK - WITH BUSHING

OCAP	O.E.		i	
0400167	1H0407365	SNODO SOSPENSIONE - INFERIORE SUSPENSION JOINT - LOWER		DIAM. 16,4 mm.
0501100	535411315	STABILIZZATORE STABILIZER LINK		
0780204	1H0407152	BRACCIO OSCILLANTE - INFERIORE TRACK CONTROL ARM - LOWER	2)	
0781006	1H0407152 *	BRACCIO OSCILLANTE COMPLETO - INFERIORE COMPLETE TRACK CONTROL ARM - LOWER		
0790204	1H0407151A	BRACCIO OSCILLANTE - INFERIORE TRACK CONTROL ARM - LOWER	2)	
0791006	1H0407151A *	BRACCIO OSCILLANTE COMPLETO - INFERIORE COMPLETE TRACK CONTROL ARM - LOWER		
1215039	357407182	SILENTBLOCK BUSHING		
1215060	191407181E	SILENTBLOCK BUSHING		
1249121	1H0407175A	STAFFA STIRRUP		

DESTRO
RIGHT

 SINISTRO
LEFT

133

I (N. 110923)

Asse Anteriore



Front Axle

0280010



0600408






0600408



0280010



OCAP	O.E.			
0280010	4443201	TESTA STERZO TIE ROD END		RHT M14x1
0600408	4318655	SNODO ASSIALE AXIAL JOINT		RHT M14x1

DESTRO
RIGHT



SINISTRO
LEFT

CITIGO

10/2011 >

Asse Anteriore

Front Axle



OCAP	O.E.			
0285574	1S0423812A	TESTA STERZO TIE ROD END		RHT M14x1,5
0295574	1S0423811A	TESTA STERZO TIE ROD END		RHT M14x1,5
0485341	6R0407366	SNODO SOSPENSIONE - INFERIORE BALL JOINT - LOWER		
0495341	6R0407365	SNODO SOSPENSIONE - INFERIORE BALL JOINT - LOWER		
0605574	1S0423810A	SNODO ASSIALE AXIAL JOINT		RHT M14x1,5
0785574	1S0407152	BRACCIO OSCILLANTE - INFERIORE TRACK CONTROL ARM - LOWER		
0795574	1S0407151	BRACCIO OSCILLANTE - INFERIORE TRACK CONTROL ARM - LOWER		
1211628	1S0423831A	CUFFIA STERZO STEERING GAITER		
1215039	357407182	SILENTBLOCK CENTRALE CENTRAL BUSHING		
1215198	1J0407181	SILENTBLOCK ESTREMO OUTER BUSHING		

DESTRO
RIGHT



SINISTRO
LEFT

CITIGO

10/2011 >

Asse Anteriore



Front Axle

0785575



1216035



1216035



0795575



0501390



1214092



0501390



Asse Posteriore



Rear Axle

1216150



1216150



i 1) VERSIONE RINFORZATA - RENFORCED

OCAP	O.E.		i	
0501390	6Q0411315G	STABILIZZATORE STABILIZER LINK		
0785575	1S0407152 *	BRACCIO OSCILLANTE - INFERIORE - COMPLETO COMPLETE TRACK CONTROL ARM - LOWER		
0795575	1S0407151 *	BRACCIO OSCILLANTE - INFERIORE - COMPLETO COMPLETE TRACK CONTROL ARM - LOWER		
1214092	6Q0411314P	SILENTBLOCK BARRA STABILIZZATRICE STABILIZING BAR BUSHING		DIAM. 16 mm.
1216035	8N0407181B	SILENTBLOCK ESTREMO OUTER BUSHING	1)	
1216150	1S0501541B	SILENTBLOCK BUSHING		

DESTRO
RIGHT



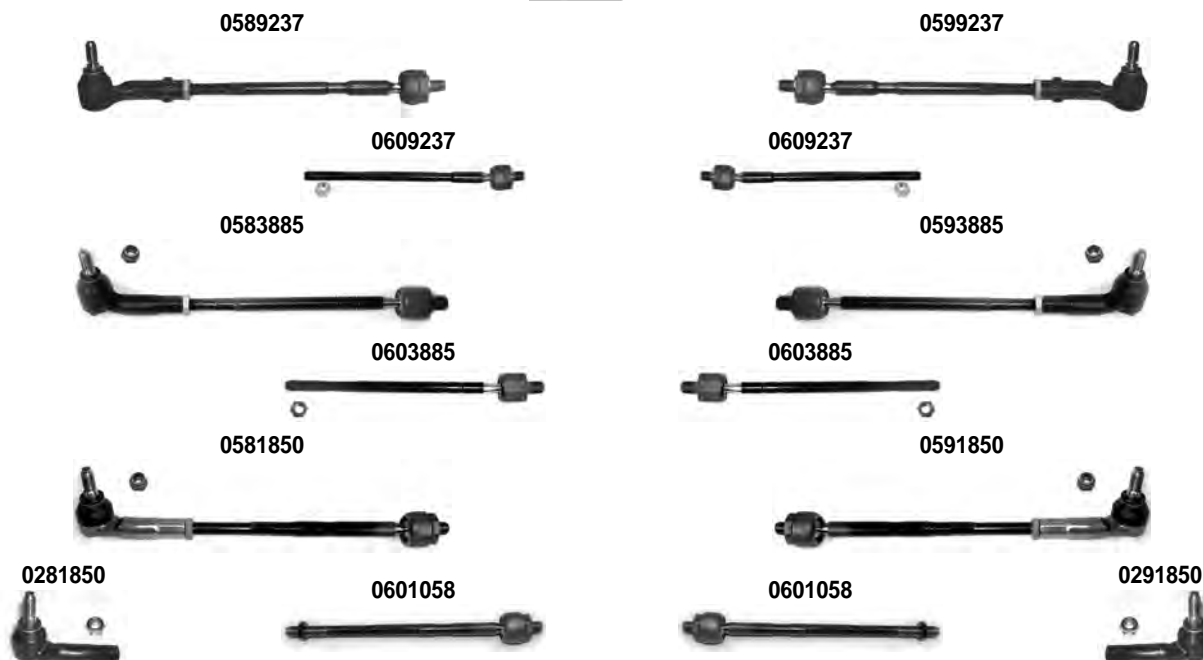
SINISTRO
LEFT

FABIA	6Y	2000 > 2007
--------------	----	-------------

Asse Anteriore



Front Axle



<p>i 1) STERZO MANUALE - MANUAL STEERING 3) SCATOLA STERZO - STEERING BOX - SMI-KOYO 5) > CH. 6Y-3-736 552 7) CH. 6Y-3-736 553 ></p>	<p>2) TUTTI I MODELLI - ALL MODELS 4) SERVOSTERZO - POWER STEERING 6) SCATOLA STERZO - STEERING BOX - TRW 8) CH. > 6L-3-162 980</p>
--	---

OCAP	O.E.		i	
0281850	6R0423812	TESTA STERZO TIE ROD END	2)	
0291850	6R0423811	TESTA STERZO TIE ROD END	2)	
0581850	6Q0423804B	BARRA STERZO TIE ROD	4) 5)	
0583885	6Q0423804G	BARRA STERZO TIE ROD	3)	
0589237	6Q0419804F	BARRA STERZO TIE ROD	1)	
0591850	6Q0423803B	BARRA STERZO TIE ROD	4) 5)	
0593885	6Q0423803G	BARRA STERZO TIE ROD	3)	
0599237	6Q0419803F	BARRA STERZO TIE ROD	1)	
0601058	6X0422804 *	SNODO ASSIALE AXIAL JOINT	5)	
0603885	6Q0423804G *	SNODO ASSIALE AXIAL JOINT	3)	
0609237	6Q0419804F *	SNODO ASSIALE AXIAL JOINT	1)	

DESTRO
RIGHT

 SINISTRO
LEFT

FABIA

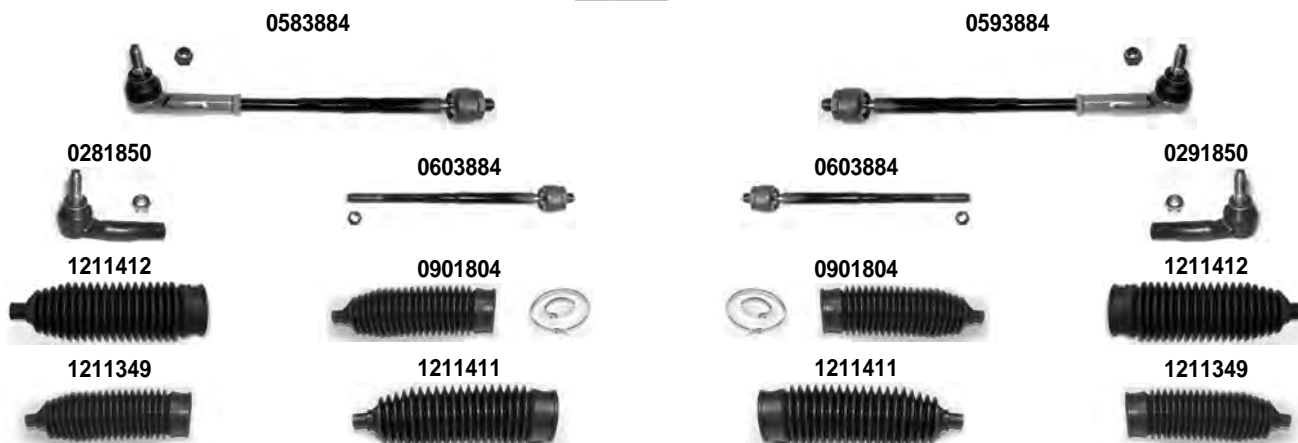
6Y

2000 > 2007

Asse Anteriore



Front Axle



i 1) STERZO MANUALE - MANUAL STEERING 3) SCATOLA STERZO - STEERING BOX - SMI-KOYO 5) > CH. 6Y-3-736 552 7) CH. 6Y-3-736 553 >	2) TUTTI I MODELLI - ALL MODELS 4) SERVOSTERZO - POWER STEERING 6) SCATOLA STERZO - STEERING BOX - TRW 8) CH. > 6L-3-162 980
---	---

OCAP	O.E.		i	
0281850	6R0423812	TESTA STERZO TIE ROD END	2)	
0291850	6R0423811	TESTA STERZO TIE ROD END	2)	
0583884	6Q0423804E	BARRA STERZO TIE ROD	4) 6) 7)	
0593884	6Q0423803E	BARRA STERZO TIE ROD	4) 6) 7)	
0603884	6Q0423804E *	SNODO ASSIALE AXIAL JOINT	6) 7)	
0901804	6E0419831 *	KIT CUFFIE STERZO STEERING GAITER KIT	1) 4) 5) 6)	
1211349	6E0419831	CUFFIA STERZO STEERING GAITER	4) 6) 8)	
1211411	6Q0423831D	CUFFIA STERZO STEERING GAITER	3) 5) 6)	
1211412	6Q0419831A	CUFFIA STERZO STEERING GAITER	3) 4)	

DESTRO
RIGHT



SINISTRO
LEFT

FABIA	6Y	2000 > 2007
--------------	----	-------------

Asse Anteriore



Front Axle



i 9) > CH. 5J-9-502 656/5J-8B-503 031/5J-8K-450 960/5J-83-172 973	10) CH. 5J-9-502 657/5J-8B-503 032/5J-8K-450 961/5J-83-172 974 >
--	--

OCAP	O.E.		i	
0481852	6Q0407366A	SNODO SOSPENSIONE - CON KIT VITI BALL JOINT - WITH BOLT KIT	9)	
0485341	6R0407366	SNODO SOSPENSIONE - CON KIT VITI BALL JOINT - WITH BOLT KIT	10)	
0491852	6Q0407365A	SNODO SOSPENSIONE - CON KIT VITI BALL JOINT - WITH BOLT KIT	9)	
0495341	6R0407365	SNODO SOSPENSIONE - CON KIT VITI BALL JOINT - WITH BOLT KIT	10)	
0701852	6Q0407151L	BRACCIO OSCILLANTE TRACK CONTROL ARM	9)	
0781852	-	BRACCIO OSCILLANTE - COMPLETO COMPLETE TRACK CONTROL ARM	9)	
0783272	6R0407152	BRACCIO OSCILLANTE TRACK CONTROL ARM	10)	
0791852	-	BRACCIO OSCILLANTE - COMPLETO COMPLETE TRACK CONTROL ARM	9)	
0793272	6R0407151	BRACCIO OSCILLANTE TRACK CONTROL ARM	10)	
1215039	357407182	SILENTBLOCK CENTRALE CENTRAL BUSHING		
1215198	1J0407181	SILENTBLOCK ESTREMO OUTER BUSHING		
1215558	6Q0407182A	SILENTBLOCK CENTRALE CENTRAL BUSHING		
1215567	1K0407183E	SILENTBLOCK ESTREMO OUTER BUSHING		
1249203	6N0407175A	STAFFA STIRRUP		

DESTRO
RIGHT

 SINISTRO
LEFT

FABIA

6Y

2000 > 2007

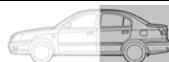
Asse Anteriore



Front Axle



Asse Posteriore



Rear Axle


i 10) CH. 5J-9-502 657/5J-8B-503 032/5J-8K-450 961/5J-83-172 974 >

11) VERSIONE RINFORZATA - RENFORCED

OCAP	O.E.		
0501390	6Q0411315G	STABILIZZATORE STABILIZER LINK	
0785342	6R0407152 *	BRACCIO OSCILLANTE - COMPLETO COMPLETE TRACK CONTROL ARM	10)
0795342	6R0407151 *	BRACCIO OSCILLANTE - COMPLETO COMPLETE TRACK CONTROL ARM	10)
0903137	6R0501541A *	KIT SILENTBLOCK BUSHING KIT	DIAM. 72 mm.
0905577	1J0501541D *	KIT SILENTBLOCK BUSHING KIT	DIAM. 69 mm.
1214092	6Q0411314L	SILENTBLOCK BARRA STABILIZZATRICE STABILIZING BAR BUSHING	DIAM. 16 mm.
1214096	8Z0411314B	SILENTBLOCK BARRA STABILIZZATRICE STABILIZING BAR BUSHING	DIAM. 20,8 mm.
1214135	6Q0411314Q	SILENTBLOCK BARRA STABILIZZATRICE STABILIZING BAR BUSHING	DIAM. 17 mm.
1214263	6Q0411314F	SILENTBLOCK BARRA STABILIZZATRICE STABILIZING BAR BUSHING	DIAM. 19,8 mm.
1215200	6R0501541A	SILENTBLOCK BUSHING	DIAM. 72 mm.
1216035	8N0407181B	SILENTBLOCK ESTREMO OUTER BUSHING	11)
1216151	1J0501541D	SILENTBLOCK BUSHING	DIAM. 69 mm.

DESTRO
RIGHT



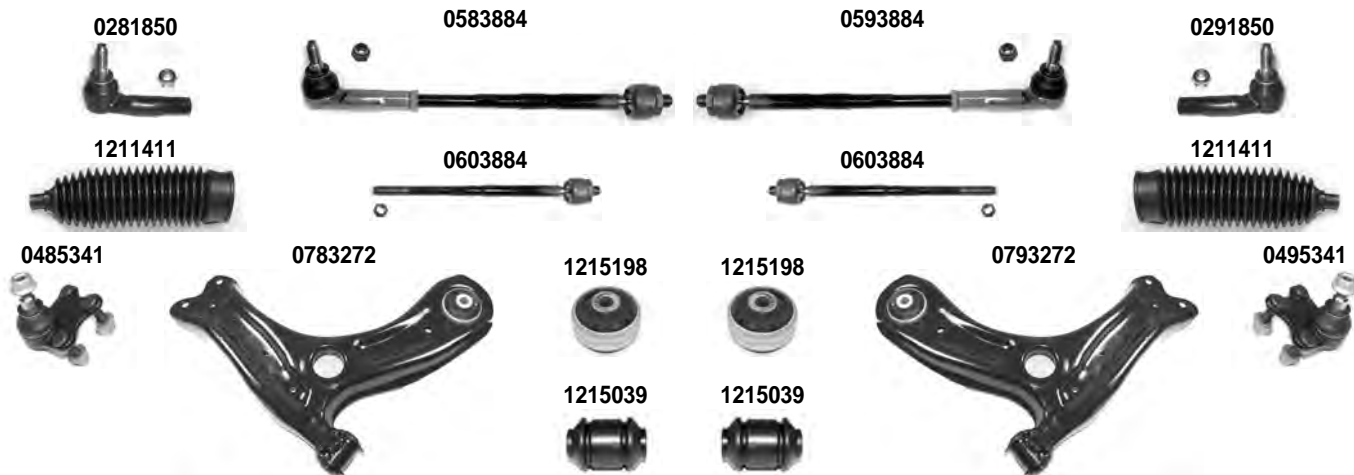
SINISTRO
LEFT

FABIA	2007 > 2014
-------	-------------

Asse Anteriore



Front Axle



<p>i 1) SERVOSTERZO - POWER STEERING 3) CH. 6Y-3-736 553 ></p>	<p>2) SCATOLA STERZO - STEERING BOX - TRW 4) CH. 5J-8A-502 657/5J-8B-503 032/5J-8K-450 961/5J-83-172 974 ></p>
--	---

OCAP	O.E.		i	
0281850	6R0423812	TESTA STERZO TIE ROD END		
0291850	6R0423811	TESTA STERZO TIE ROD END		
0485341	6R0407366	SNODO SOSPENSIONE - CON KIT VITI BALL JOINT - WITH BOLT KIT	4)	
0495341	6R0407365	SNODO SOSPENSIONE - CON KIT VITI BALL JOINT - WITH BOLT KIT	4)	
0583884	6Q0423804E	BARRA STERZO TIE ROD	1) 2) 3)	
0593884	6Q0423803E	BARRA STERZO TIE ROD	1) 2) 3)	
0603884	6Q0423804E *	SNODO ASSIALE AXIAL JOINT	2) 3)	
0783272	6R0407152	BRACCIO OSCILLANTE TRACK CONTROL ARM		
0793272	6R0407151	BRACCIO OSCILLANTE TRACK CONTROL ARM		
1211411	6Q0423831D	CUFFIA STERZO STEERING GAITER	2) 3)	
1215039	357407182	SILENTBLOCK CENTRALE CENTRAL BUSHING		
1215198	1J0407181	SILENTBLOCK ESTREMO OUTER BUSHING		

DESTRO
RIGHT

 SINISTRO
LEFT

FABIA

2007 > 2014

Asse Anteriore



Front Axle

0785342
1216035
1216035
0795342

0501390
1214092
1214135
1214262
0501390


Asse Posteriore



Rear Axle

1215200
0903137
1215200

i 4) CH. 5J-8A-502 657/5J-8B-503 032/5J-8K-450 961/5J-83-172 974 >

5) VERSIONE RINFORZATA - REINFORCED

OCAP	O.E.		i	
0501390	6Q0411315G	STABILIZZATORE STABILIZER LINK		
0785342	6R0407152 *	BRACCIO OSCILLANTE - COMPLETO COMPLETE TRACK CONTROL ARM	4)	
0795342	6R0407151 *	BRACCIO OSCILLANTE - COMPLETO COMPLETE TRACK CONTROL ARM	4)	
0903137	6R0501541A *	KIT SILENTBLOCK BUSHING KIT		DIAM. 72 mm.
1214092	6Q0411314L	SILENTBLOCK BARRA STABILIZZATRICE STABILIZING BAR BUSHING		DIAM. 16 mm.
1214135	6Q0411314Q	SILENTBLOCK BARRA STABILIZZATRICE STABILIZING BAR BUSHING		DIAM. 17 mm.
1214262	6Q0411314R	SILENTBLOCK BARRA STABILIZZATRICE STABILIZING BAR BUSHING		DIAM. 18 mm.
1215200	6R0501541A	SILENTBLOCK BUSHING		DIAM. 72 mm.
1216035	8N0407181B	SILENTBLOCK ESTREMO OUTER BUSHING	5)	

DESTRO
RIGHT



SINISTRO
LEFT

FABIA FABIA STATION WAGON	NJ3 NJ5	08/2014 > 10/2014 >
------------------------------	------------	------------------------

Asse Anteriore



Front Axle



i 1) VERSIONE RINFORZATA - RENFORCED

OCAP	O.E.		i	
0281850	6R0423812	TESTA STERZO TIE ROD END		RHT M14x1,5
0291850	6R0423811	TESTA STERZO TIE ROD END		RHT M14x1,5
0485341	6R0407366	SNODO SOSPENSIONE - INFERIORE BALL JOINT - LOWER		
0495341	6R0407365	SNODO SOSPENSIONE - INFERIORE BALL JOINT - LOWER		
0501390	6Q0411315G	STABILIZZATORE STABILIZER LINK		
0606489	6C0423810C	SNODO ASSIALE AXIAL JOINT		RHT M14x1,5
0785341	6R0407152F	BRACCIO OSCILLANTE - INFERIORE TRACK CONTROL ARM - LOWER		
0786489	6R0407152F *	BRACCIO OSCILLANTE - INFERIORE - COMPLETO COMPLETE TRACK CONTROL ARM - LOWER		
0795341	6R0407151F	BRACCIO OSCILLANTE - INFERIORE TRACK CONTROL ARM - LOWER		
0796489	6R0407151F *	BRACCIO OSCILLANTE - INFERIORE - COMPLETO COMPLETE TRACK CONTROL ARM - LOWER		
1215039	357407182	SILENTBLOCK CENTRALE CENTRAL BUSHING		
1215198	1J0407181	SILENTBLOCK - ESTREMO OUTER BUSHING		
1216035	8N0407181B	SILENTBLOCK - ESTREMO OUTER BUSHING	1)	

DESTRO
RIGHT



SINISTRO
LEFT

FELICIA

1994 >

Asse Anteriore



Front Axle

0280182



0601477



0601477



0280182



0280182



0601478



0601478



0280182



0700231



0700231



0400140



1215232



1215232



0400140



0780231



0790231



i 1) STERZO MANUALE - MANUAL STEERING
3) > 07/1995

2) SERVOSTERZO - POWER STEERING

OCAP	O.E.		i	
0280182	6U0422811	TESTA STERZO TIE ROD END		RHT M12x1
0400140	6U0407365	SNODO SOSPENSIONE - INFERIORE SUSPENSION JOINT - LOWER		
0601477	007350278N	SNODO ASSIALE AXIAL JOINT	1)	
0601478	6U0422807	SNODO ASSIALE AXIAL JOINT	2)	
0700231	007304443	BRACCIO OSCILLANTE TRACK CONTROL ARM	3)	
0780231	6U0407152B	BRACCIO OSCILLANTE - COMPLETO COMPLETE TRACK CONTROL ARM	3)	
0790231	6U0407151B	BRACCIO OSCILLANTE - COMPLETO COMPLETE TRACK CONTROL ARM	3)	
1215232	6U0407182	SILENTBLOCK CENTRALE CENTRAL BUSHING		

DESTRO
RIGHT



SINISTRO
LEFT

FELICIA

1994 >

Asse Anteriore



Front Axle

0784168



0794168



0181061



0181061-K



0181061



i 4) 07/1995 >

OCAP	O.E.		i	
0181061	6U6411315	PUNONE BARRA STABILIZZATRICE STABILIZER LINK		DIAM. 20/22 mm.
0784168	6U0407152A	BRACCIO OSCILLANTE - COMPLETO COMPLETE TRACK CONTROL ARM	4)	
0794168	6U0407151A	BRACCIO OSCILLANTE - COMPLETO COMPLETE TRACK CONTROL ARM	4)	
0181061-K	-	KIT PUNONE BARRA STABILIZZATRICE STABILIZER LINK KIT		

DESTRO
RIGHT



SINISTRO
LEFT

KAROQ

NU7



07/2017 >

Asse Anteriore



Front Axle



OCAP	O.E.		
0284279	1K0423812E	TESTA STERZO TIE ROD END	RHT M16x1,5
0294279	1K0423811E	TESTA STERZO TIE ROD END	RHT M16x1,5
0482117	3C0407366B	SNODO SOSPENSIONE - INFERIORE BALL JOINT - LOWER	
0492117	3C0407365B	SNODO SOSPENSIONE - INFERIORE BALL JOINT - LOWER	
0504283	1K0411315D	STABILIZZATORE STABILIZER LINK	
0602116	561423810	SNODO ASSIALE AXIAL JOINT	RHT M16x1,5
0785758	3Q0407152E	BRACCIO OSCILLANTE - INFERIORE TRACK CONTROL ARM - LOWER	
0785759	3Q0407152E *	BRACCIO OSCILLANTE - INFERIORE - COMPLETO TRACK CONTROL ARM - LOWER - COMPLETE	
0795758	3Q0407151E	BRACCIO OSCILLANTE - INFERIORE TRACK CONTROL ARM - LOWER	
0795759	3Q0407151E *	BRACCIO OSCILLANTE - INFERIORE - COMPLETO TRACK CONTROL ARM - LOWER - COMPLETE	
1215716	1K0407182	SILENTBLOCK CENTRALE CENTRAL BUSHING	
1216229	5Q0407183E	SILENTBLOCK ESTREMO OUTER BUSHING	

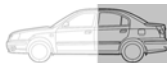
DESTRO
RIGHT



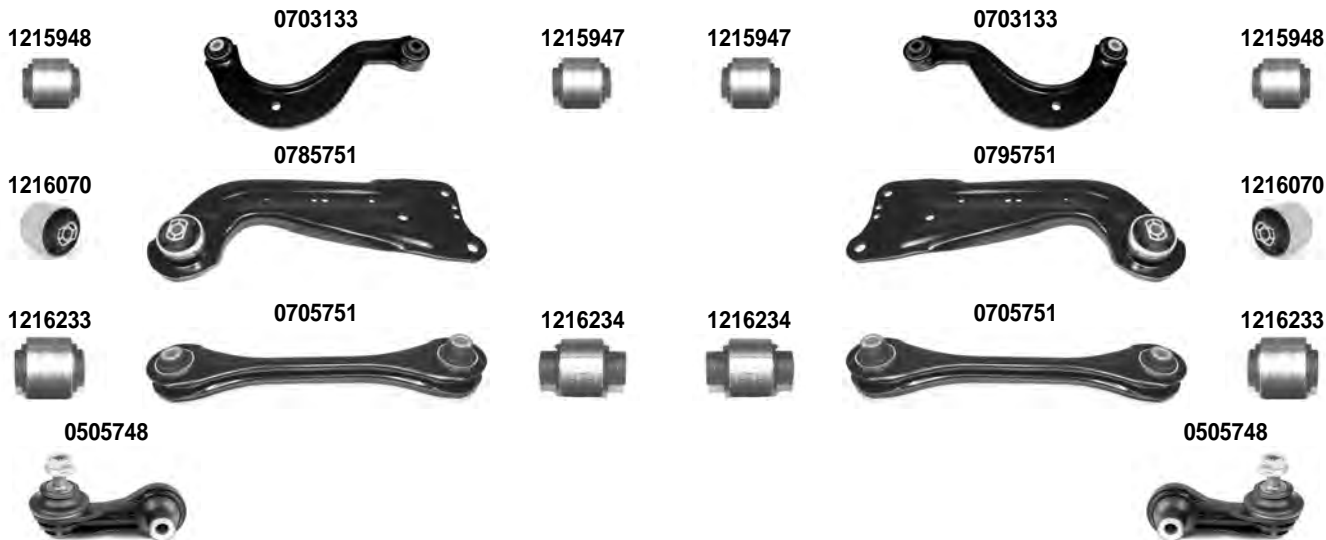
SINISTRO
LEFT

KAROQ	NU7	07/2017 >
-------	-----	-----------

Asse Posteriore



Rear Axle



OCAP	O.E.			
0505748	5Q0505465C	STABILIZZATORE STABILIZER LINK		
0703133	1K0505323N	BRACCIO SOSPENSIONE SUSPENSION ARM		
0705751	5Q0501529C	BRACCIO SOSPENSIONE SUSPENSION ARM		
0785751	5Q0505224D	BRACCIO SOSPENSIONE SUSPENSION ARM		
0795751	5Q0505223D	BRACCIO SOSPENSIONE SUSPENSION ARM		
1215947	1K0505279A	SILENTBLOCK BRACCIO SOSPENSIONE - INTERNO CONTROL ARM BUSHING - INNER		DIAM. 12 mm.
1215948	1K0505203A	SILENTBLOCK BRACCIO SOSPENSIONE - ESTERNO CONTROL ARM BUSHING - OUTER		DIAM. 14 mm.
1216070	1K0407541C	SILENTBLOCK BUSHING		
1216233	5Q0501529C *	SILENTBLOCK BUSHING		
1216234	5Q0501529C **	SILENTBLOCK BUSHING		

DESTRO
RIGHT



SINISTRO
LEFT

KODIAQ

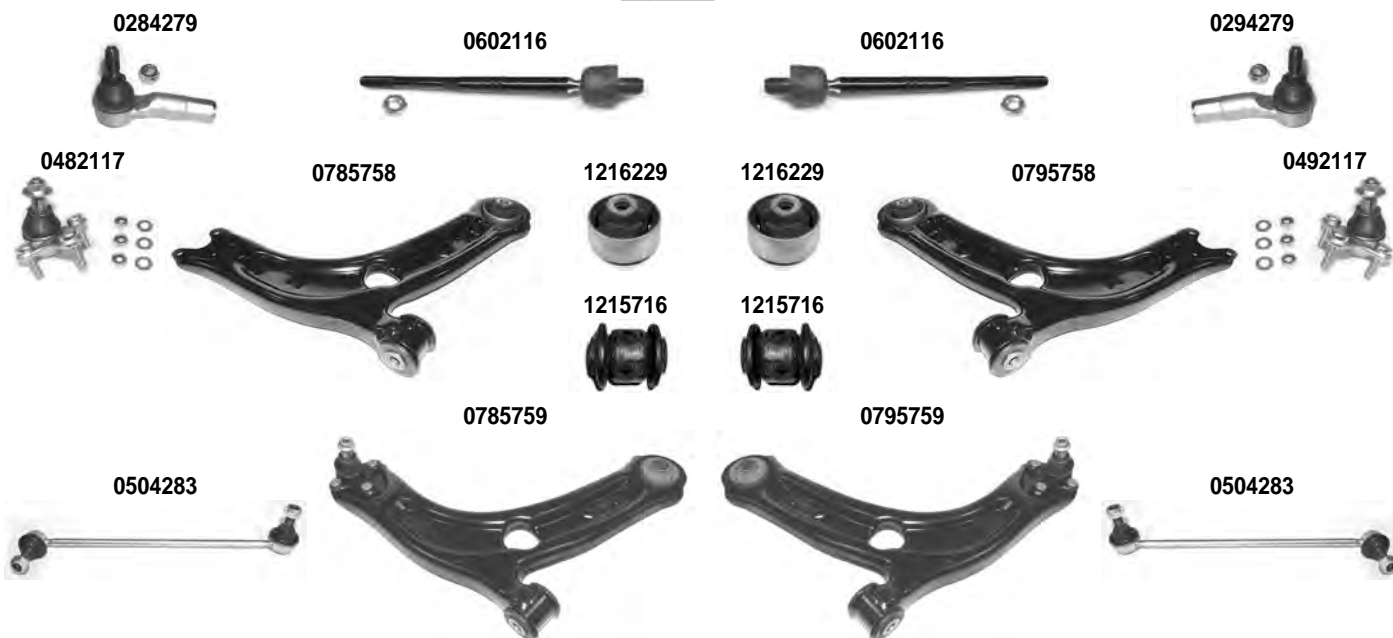
NS7

10/2016 >

Asse Anteriore



Front Axle



OCAP	O.E.		
0284279	1K0423812E	TESTA STERZO TIE ROD END	RHT M16x1,5
0294279	1K0423811E	TESTA STERZO TIE ROD END	RHT M16x1,5
0482117	3C0407366B	SNODO SOSPENSIONE - INFERIORE BALL JOINT - LOWER	
0492117	3C0407365B	SNODO SOSPENSIONE - INFERIORE BALL JOINT - LOWER	
0504283	1K0411315D	STABILIZZATORE STABILIZER LINK	
0602116	561423810	SNODO ASSIALE AXIAL JOINT	RHT M16x1,5
0785758	3Q0407152E	BRACCIO OSCILLANTE - INFERIORE TRACK CONTROL ARM - LOWER	
0785759	3Q0407152E *	BRACCIO OSCILLANTE - INFERIORE - COMPLETO TRACK CONTROL ARM - LOWER - COMPLETE	
0795758	3Q0407151E	BRACCIO OSCILLANTE - INFERIORE TRACK CONTROL ARM - LOWER	
0795759	3Q0407151E *	BRACCIO OSCILLANTE - INFERIORE - COMPLETO TRACK CONTROL ARM - LOWER - COMPLETE	
1215716	1K0407182	SILENTBLOCK CENTRALE CENTRAL BUSHING	
1216229	5Q0407183E	SILENTBLOCK ESTREMO OUTER BUSHING	

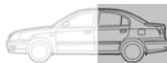
DESTRO
RIGHT



SINISTRO
LEFT

KODIAQ	NS7	10/2016 >
---------------	-----	-----------

Asse Posteriore



Rear Axle



OCAP	O.E.			
0505748	5Q0505465C	STABILIZZATORE STABILIZER LINK		
0708512	3Q0505311E	BRACCIO SOSPENSIONE SUSPENSION ARM		
1216340	3Q0505311E *	SILENTBLOCK BUSHING		

DESTRO
RIGHT



SINISTRO
LEFT

OCTAVIA

1997 > 2004

Asse Anteriore



Front Axle

0283036



0583035



0593035



0293036



0603035



0603035



0283086



0583085



0593085



0293086



0603085



0603085



1211182



0903037



1211182



i 1) MOD. STATION WAGON

OCAP	O.E.		i	
0283036	1J0422812A	TESTA STERZO TIE ROD END		RHT M14x1,5
0283086	1J0422812B	TESTA STERZO TIE ROD END	1)	RHT M14x1,5
0293036	1J0422811	TESTA STERZO TIE ROD END		RHT M14x1,5
0293086	1J0422811B	TESTA STERZO TIE ROD END	1)	RHT M14x1,5
0583035	1J0422804	BARRA STERZO TIE ROD		
0583085	1J0422804B	BARRA STERZO TIE ROD	1)	
0593035	1J0422803	BARRA STERZO TIE ROD		
0593085	1J0422803B	BARRA STERZO TIE ROD	1)	
0603035	1J0422807	SNODO ASSIALE AXIAL JOINT		RHT M14x1,5
0603085	1J0422807B	SNODO ASSIALE AXIAL JOINT	1)	RHT M14x1,5
0903037	-	KIT CUFFIE STERZO STEERING GAITER KIT		
1211182	1J0422831	CUFFIA STERZO STEERING GAITER		

DESTRO
RIGHT



SINISTRO
LEFT

OCTAVIA

1997 > 2004

Asse Anteriore



Front Axle

0483037



1249121



0702882



1215198



1215039



1215198



1215039



0702882



0493037



1249121



0782883



1216035



1216035



0792883



0183040



1215199



1215199



0183040



0182884



0903040



0182884



i 1) MOD. STATION WAGON 6) VERSIONE RINFORZATA - REINFORCED	2) CON SILENTBLOCK - WITH BUSHING
---	-----------------------------------

OCAP	O.E.		i	
0182884	1J0411315G	STABILIZZATORE STABILIZER LINK	1)	
0183040	1J0411315C	STABILIZZATORE STABILIZER LINK		
0483037	1J0407366C	SNODO SOSPENSIONE SUSPENSION JOINT		
0493037	1J0407365C	SNODO SOSPENSIONE SUSPENSION JOINT		
0702882	1J0407151B	BRACCIO OSCILLANTE TRACK CONTROL ARM	2)	
0782883	-	BRACCIO OSCILLANTE - COMPLETO COMPLETE TRACK CONTROL ARM		
0792883	-	BRACCIO OSCILLANTE - COMPLETO COMPLETE TRACK CONTROL ARM		
0903040	-	KIT STABILIZZATORE STABILIZER LINK KIT		
1215039	357407182	SILENTBLOCK CENTRALE CENTRAL BUSHING		
1215198	1J0407181	SILENTBLOCK ESTREMO OUTER BUSHING		
1215199	1J0411327	SILENTBLOCK STABILIZZATORE STABILIZER LINK BUSHING		
1216035	8N0407181B	SILENTBLOCK ESTREMO OUTER BUSHING	6)	
1249121	1H0407175A	STAFFA STIRRUP		

DESTRO
RIGHT



SINISTRO
LEFT

OCTAVIA

1997 > 2004

Asse Anteriore



Front Axle

0581386



0591386



0903085



0903087



1214089



1214128



1214133



Asse Posteriore



Rear Axle

0502118



0502119



0502119



0502118



1215200



0903137



1215200



1216151



0905577



1216151



<p>i 1) MOD. STATION WAGON 4) SOLO PER - ONLY FOR : MOD. 4X4 SENZA DOTAZIONE STRADE DISSESTATE - MOD. 4X4 WITHOUT OFF-ROAD SUSPENSION</p>	<p>3) SOLO PER - ONLY FOR : MOD. 4X4 5) SOLO PER - ONLY FOR : MOD. 4X4 CON DOTAZIONE STRADE DISSESTATE - MOD. 4X4 WITH OFF-ROAD SUSPENSION</p>
--	--

OCAP	O.E.		i	
0502118	1J0505466B	STABILIZZATORE STABILIZER LINK	4)	
0502119	1J0505466C	STABILIZZATORE STABILIZER LINK	5)	
0581386	1J0411316D	STABILIZZATORE STABILIZER LINK	3)	
0591386	1J0411315D	STABILIZZATORE STABILIZER LINK	3)	
0903085	1J0411336B *	KIT SILENTBLOCK BARRA STABILIZZATRICE STABILIZING BAR BUSHING KIT		DIAM. 21 mm.
0903087	-	KIT SILENTBLOCK BARRA STABILIZZATRICE STABILIZING BAR BUSHING KIT	1)	
0903137	6R0501541A *	KIT SILENTBLOCK BUSHING KIT		DIAM. 72 mm.
0905577	1J0501541D *	KIT SILENTBLOCK BUSHING KIT		DIAM. 69 mm.
1214089	1J0411314T	SILENTBLOCK BARRA STABILIZZATRICE STABILIZING BAR BUSHING	1)	DIAM. 21 mm.
1214128	1J0411314P	SILENTBLOCK BARRA STABILIZZATRICE STABILIZING BAR BUSHING		DIAM. 20 mm.
1214133	1J0411314S	SILENTBLOCK BARRA STABILIZZATRICE STABILIZING BAR BUSHING		DIAM. 17 mm.
1215200	6R0501541A	SILENTBLOCK BUSHING		DIAM. 72 mm.
1216151	1J0501541D	SILENTBLOCK BUSHING		DIAM. 69 mm.

DESTRO
RIGHT



SINISTRO
LEFT

OCTAVIA	1Z3-1Z5	06/2004 > 2013
---------	---------	----------------

Asse Anteriore



Front Axle



i 1) SOLO MOTORI A BENZINA SENZA REGOLAZIONE AUTOMATICA FARI - ONLY FOR GASOLINE ENGINES WITHOUT HEADLAMPS AUTOMATIC ADJUSTMENT

OCAP	O.E.		i	
0284279	1K0423812E	TESTA STERZO TIE ROD END		RHT M16x1,5
0294279	1K0423811E	TESTA STERZO TIE ROD END		RHT M16x1,5
0484281	5Q0407366A	SNODO SOSPENSIONE BALL JOINT		
0494281	5Q0407365A	SNODO SOSPENSIONE BALL JOINT		
0604280	1K0423810A	SNODO ASSIALE AXIAL JOINT		RHT M16x1,5
0784281	1K0407152AB *	BRACCIO OSCILLANTE COMPLETO COMPLETE TRACK CONTROL ARM	1)	
0784282	1K0407152AB	BRACCIO OSCILLANTE TRACK CONTROL ARM	1)	
0794281	1K0407151AB *	BRACCIO OSCILLANTE COMPLETO COMPLETE TRACK CONTROL ARM	1)	
0794282	1K0407151AB	BRACCIO OSCILLANTE TRACK CONTROL ARM	1)	
1211426	1K0423831A	CUFFIA STERZO STEERING GAITER		
1215567	1K0407183E	SILENTBLOCK ESTREMO OUTER BUSHING		
1215716	1K0407182	SILENTBLOCK CENTRALE CENTRAL BUSHING		
1215717	1K0199232J	SILENTBLOCK ESTREMO - ALLUMINIO OUTER BUSHING - ALUMINIUM		
1215718	1K0199231J	SILENTBLOCK ESTREMO - ALLUMINIO OUTER BUSHING - ALUMINIUM		

DESTRO
RIGHT



SINISTRO
LEFT

OCTAVIA

1Z3-1Z5

06/2004 > 2013

Asse Anteriore



Front Axle



i 2) SOLO MOTORI DIESEL E VEICOLI CON REGOLAZIONE AUTOMATICA FARI - ONLY FOR DIESEL ENGINE AND CARS WITH HEADLAMPS AUTOMATIC ADJUSTMENT

OCAP	O.E.		i	
0384376	1K0407152AC	BRACCIO OSCILLANTE - GHISA TRACK CONTROL ARM - CAST IRON	2)	
0384377	1K0407152AC *	BRACCIO OSCILLANTE COMPLETO - GHISA COMPLETE TRACK CONTROL ARM - CAST IRON	2)	
0394376	1K0407151AC	BRACCIO OSCILLANTE - GHISA TRACK CONTROL ARM - CAST IRON	2)	
0394377	1K0407151AC *	BRACCIO OSCILLANTE COMPLETO - GHISA COMPLETE TRACK CONTROL ARM - CAST IRON	2)	
0484281	5Q0407366A	SNODO SOSPENSIONE BALL JOINT		
0494281	5Q0407365A	SNODO SOSPENSIONE BALL JOINT		
0504283	1K0411315D	STABILIZZATORE STABILIZER LINK		
1215567	1K0407183E	SILENTBLOCK ESTREMO OUTER BUSHING		
1215716	1K0407182	SILENTBLOCK CENTRALE CENTRAL BUSHING		
1215717	1K0199232J	SILENTBLOCK ESTREMO - ALLUMINIO OUTER BUSHING - ALUMINIUM		
1215718	1K0199231J	SILENTBLOCK ESTREMO - ALLUMINIO OUTER BUSHING - ALUMINIUM		

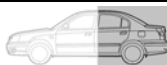
DESTRO
RIGHT



SINISTRO
LEFT

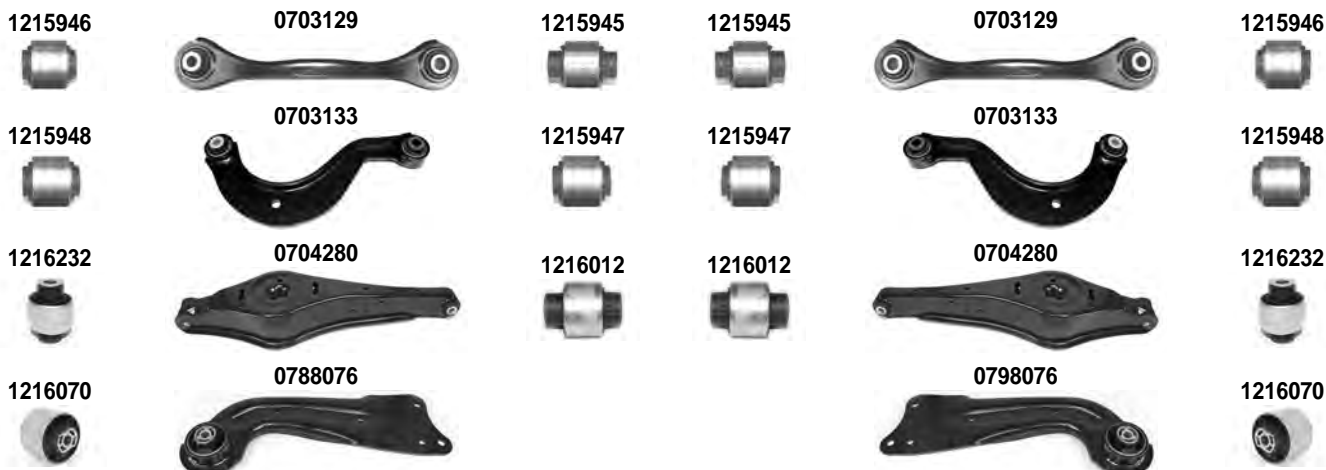
OCTAVIA	1Z3-1Z5	06/2004 > 2013
---------	---------	----------------

Asse Posteriore



Rear Axle

1214296



i 3) 06/2009 >

OCAP	O.E.		i	
0703129	1K0501529J	BRACCIO OSCILLANTE TRACK CONTROL ARM	3)	
0703133	1K0505323N	BRACCIO SOSPENSIONE SUSPENSION ARM		
0704280	1K0505311AB	BRACCIO SOSPENSIONE SUSPENSION ARM		
0788076	1K0505224K	BRACCIO SOSPENSIONE SUSPENSION ARM		
0798076	1K0505223K	BRACCIO SOSPENSIONE SUSPENSION ARM		
1214296	1K0411303AM *	SILENTBLOCK BARRA STABILIZZATRICE STABILIZING BAR BUSHING		DIAM. 23 mm.
1215945	-	SILENTBLOCK BRACCIO SOSPENSIONE - INTERNO CONTROL ARM BUSHING - INNER		DIAM. 12 mm.
1215946	-	SILENTBLOCK BRACCIO SOSPENSIONE - ESTERNO CONTROL ARM BUSHING - OUTER		DIAM. 14 mm.
1215947	1K0505279A	SILENTBLOCK BRACCIO SOSPENSIONE - INTERNO CONTROL ARM BUSHING - INNER		DIAM. 12 mm.
1215948	1K0505203A	SILENTBLOCK BRACCIO SOSPENSIONE - ESTERNO CONTROL ARM BUSHING - OUTER		DIAM. 14 mm.
1216012	1K0505311AB *	SILENTBLOCK BUSHING		
1216070	1K0505541C	SILENTBLOCK BUSHING		
1216232	1K0505553A	SILENTBLOCK BUSHING		

DESTRO
RIGHT



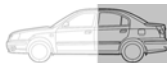
SINISTRO
LEFT

OCTAVIA

1Z3-1Z5

06/2004 > 2013

Asse Posteriore



Rear Axle

0504378

1214130

1214131

1214144

0504378



1216151





0905577



1216151



OCAP	O.E.		
0504378	1K0505465K	STABILIZZATORE STABILIZER LINK	
0905577	1J0501541D *	KIT SILENTBLOCK BUSHING KIT	DIAM. 69 mm.
1214130	1K0511327AE	SILENTBLOCK BARRA STABILIZZATRICE STABILIZING BAR BUSHING	DIAM. 18,5 mm.
1214131	1K0511327AR	SILENTBLOCK BARRA STABILIZZATRICE STABILIZING BAR BUSHING	DIAM. 20,7 mm.
1214144	1K0511327AQ	SILENTBLOCK BARRA STABILIZZATRICE STABILIZING BAR BUSHING	DIAM. 17 mm.
1216151	1J0501541D	SILENTBLOCK BUSHING	DIAM. 69 mm.

DESTRO
RIGHT



SINISTRO
LEFT

OCTAVIA	5E3-5E5	11/2012 >
---------	---------	-----------

Asse Anteriore



Front Axle



i 1) MODELLI RUOTE STANDARD > 15" -> 15" WHEELS STANDARD

OCAP	O.E.		i	
0284279	1K0423812E	TESTA STERZO TIE ROD END		RHT M16X1,5
0294279	1K0423811E	TESTA STERZO TIE ROD END		RHT M16X1,5
0484281	5Q0407366A	SNODO SOSPENSIONE BALL JOINT	1)	
0494281	5Q0407365A	SNODO SOSPENSIONE BALL JOINT	1)	
0604280	1K0423810A	SNODO ASSIALE AXIAL JOINT		RHT M16X1,5
0785748	5Q0407152J	BRACCIO OSCILLANTE TRACK CONTROL ARM		
0785749	5Q0407152J *	BRACCIO OSCILLANTE - COMPLETO COMPLETE TRACK CONTROL ARM	1)	
0795748	5Q0407151J	BRACCIO OSCILLANTE TRACK CONTROL ARM		
0795749	5Q0407151J *	BRACCIO OSCILLANTE - COMPLETO COMPLETE TRACK CONTROL ARM	1)	
1211426	1K0423831A	CUFFIA STERZO STEERING GAITER		
1215716	1K0407182	SILENTBLOCK CENTRALE CENTRAL BUSHING		
1216229	5Q0407183E	SILENTBLOCK ESTREMO OUTER BUSHING		

DESTRO
RIGHT

 SINISTRO
LEFT

OCTAVIA

5E3-5E5

11/2012 >



Asse Anteriore



Front Axle



i 2) MODELLI RUOTE 16" > - WHEELS 16" >

OCAP	O.E.		i	
0482117	3C0407366B	SNODO SOSPENSIONE BALL JOINT	2)	
0492117	3C0407365B	SNODO SOSPENSIONE BALL JOINT	2)	
0504283	1K0411315J	STABILIZZATORE STABILIZER LINK		
0785750	3C0407366B *	BRACCIO OSCILLANTE - COMPLETO COMPLETE TRACK CONTROL ARM	2)	
0795750	3C0407365B *	BRACCIO OSCILLANTE - COMPLETO COMPLETE TRACK CONTROL ARM	2)	
1215716	1K0407182	SILENTBLOCK CENTRALE CENTRAL BUSHING		
1216229	5Q0407183E	SILENTBLOCK ESTREMO OUTER BUSHING		

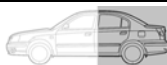
DESTRO
RIGHT



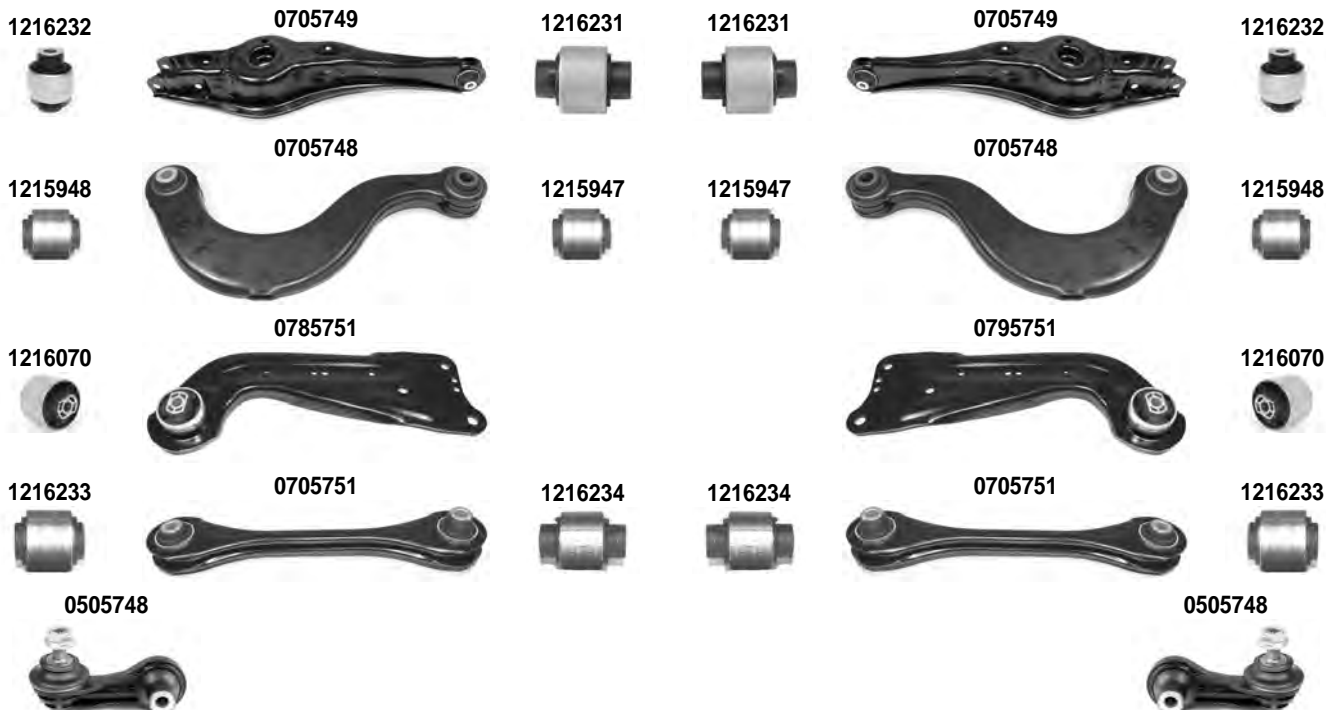
SINISTRO
LEFT

OCTAVIA	5E3-5E5	11/2012 >
---------	---------	-----------

Asse Posteriore



Rear Axle



i 3) SOLO PER SOSPENSIONI MULTILINK - ONLY FOR MULTILINK SUSPENSION

OCAP	O.E.		i	
0505748	5Q0505465C	STABILIZZATORE STABILIZER LINK	3)	
0705748	5Q0505323D	BRACCIO SOSPENSIONE SUSPENSION ARM	3)	
0705749	5Q0505311D	BRACCIO SOSPENSIONE SUSPENSION ARM	3)	
0705751	5Q0501529C	BRACCIO SOSPENSIONE SUSPENSION ARM	3)	
0785751	5Q0505224D	BRACCIO SOSPENSIONE SUSPENSION ARM	3)	
0795751	5Q0505223D	BRACCIO SOSPENSIONE SUSPENSION ARM	3)	
1215947	1K0505279A	SILENTBLOCK BRACCIO SOSPENSIONE - INTERNO CONTROL ARM BUSHING - INNER	3)	DIAM. 12 mm.
1215948	1K0505203A	SILENTBLOCK BRACCIO SOSPENSIONE - ESTERNO CONTROL ARM BUSHING - OUTER	3)	DIAM. 14 mm.
1216070	1K0407541C	SILENTBLOCK BUSHING	3)	
1216231	5Q0505311D *	SILENTBLOCK BUSHING	3)	
1216232	1K0505553A	SILENTBLOCK BUSHING	3)	
1216233	5Q0501529C *	SILENTBLOCK BUSHING	3)	
1216234	5Q0501529C **	SILENTBLOCK BUSHING	3)	

DESTRO
RIGHT

 SINISTRO
LEFT

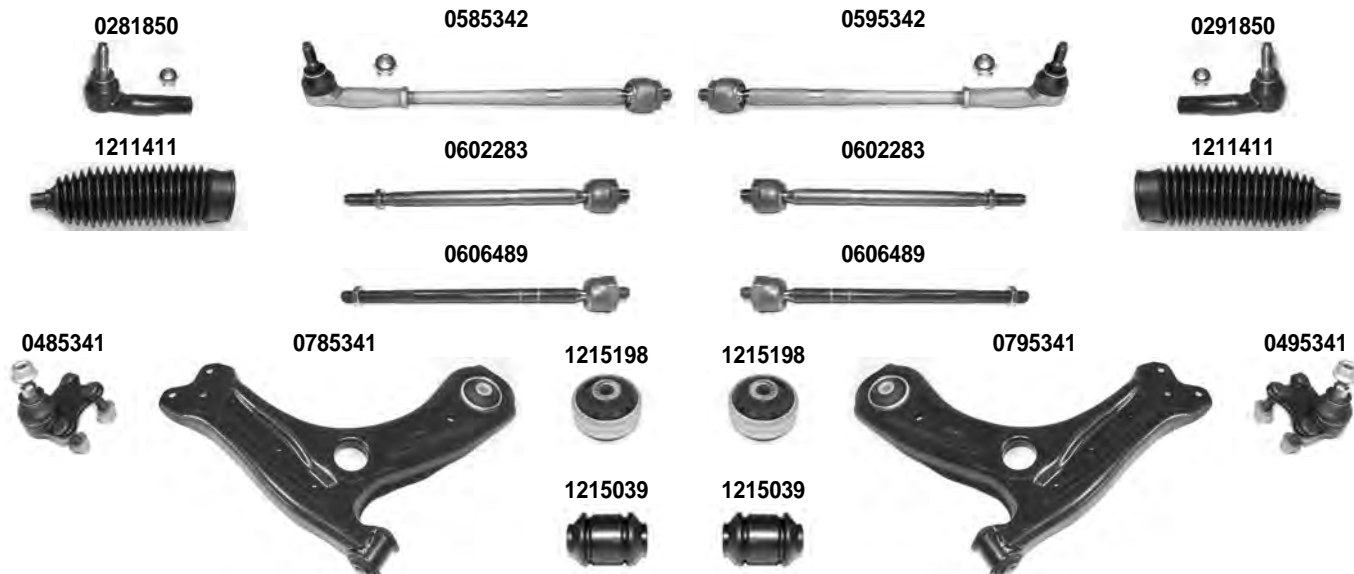
RAPID

07/2012 >

Asse Anteriore



Front Axle


i 1) SERVOSTERZO ELETTRICO-IDRAULICO - ELECTROHYDRAULIC STEERING

OCAP	O.E.			
0281850	6R0423812	TESTA STERZO TIE ROD END		RHT M14x1,5
0291850	6R0423811	TESTA STERZO TIE ROD END		RHT M14x1,5
0485341	6R0407366	SNODO SOSPENSIONE - INFERIORE BALL JOINT - LOWER		
0495341	6R0407365	SNODO SOSPENSIONE - INFERIORE BALL JOINT - LOWER		
0585342	6R0423804A	BARRA STERZO TIE ROD	1)	
0595342	6R0423803A	BARRA STERZO TIE ROD	1)	
0602283	6R0423804A *	SNODO ASSIALE AXIAL JOINT	1)	RHT M14x1,5
0606489	6C0423810C	SNODO ASSIALE AXIAL JOINT		RHT M14x1,5
0785341	6R0407152F	BRACCIO OSCILLANTE - INFERIORE TRACK CONTROL ARM - LOWER		
0795341	6R0407151F	BRACCIO OSCILLANTE - INFERIORE TRACK CONTROL ARM - LOWER		
1211411	6Q0423831D	CUFFIA STERZO STEERING GAITER	1)	
1215039	357407182	SILENTBLOCK CENTRALE CENTRAL BUSHING		
1215198	1J0407181	SILENTBLOCK - ESTREMO OUTER BUSHING		

DESTRO
RIGHT



SINISTRO
LEFT

RAPID

07/2012 >

Asse Anteriore



Front Axle



Asse Posteriore



Rear Axle



i 1) VERSIONE RINFORZATA - REINFORCED

OCAP	O.E.		i	
0501390	6Q0411315G	STABILIZZATORE STABILIZER LINK		
0786489	6R0407152F *	BRACCIO OSCILLANTE - INFERIORE - COMPLETO COMPLETE TRACK CONTROL ARM - LOWER		
0796489	6R0407151F *	BRACCIO OSCILLANTE - INFERIORE - COMPLETO COMPLETE TRACK CONTROL ARM - LOWER		
0903137	6R0501541A *	KIT SILENTBLOCK BUSHING KIT		DIAM. 72 mm.
1214092	6Q0411314L	SILENTBLOCK BARRA STABILIZZATRICE STABILIZING BAR BUSHING		DIAM. 16 mm.
1214135	6Q0411314Q	SILENTBLOCK BARRA STABILIZZATRICE STABILIZING BAR BUSHING		DIAM. 17 mm.
1214262	6Q0411314R	SILENTBLOCK BARRA STABILIZZATRICE STABILIZING BAR BUSHING		DIAM. 18 mm.
1215200	6R0501541A	SILENTBLOCK BUSHING		DIAM. 72 mm.
1216035	8N0407181B	SILENTBLOCK - ESTREMO OUTER BUSHING	1)	

DESTRO
RIGHT



SINISTRO
LEFT

ROOMSTER

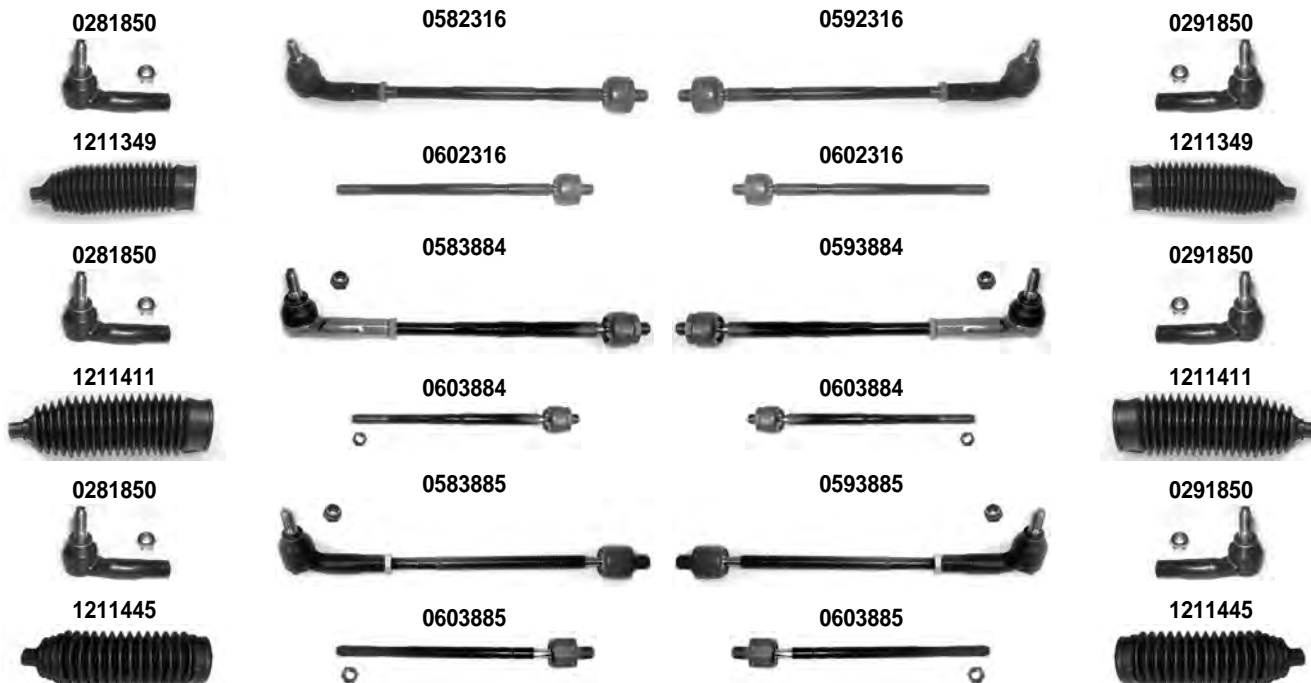
5J

09/2006 >

Asse Anteriore



Front Axle



i	1) SERVOSTERZO IDRAULICO - HYDRAULIC POWER STEERING	2) SERVOSTERZO - POWER STEERING
	3) SCATOLA STERZO - STEERING BOX - TRW	4) SCATOLA STERZO - STEERING BOX - SMI-KOYO
	5) SERVOSTERZO ELETTRICO/IDRAULICO - ELECTRICAL/HYDRAULIC POWER STEERING	

OCAP	O.E.		i	
0281850	6R0423812	TESTA STERZO TIE ROD END		
0291850	6R0423811	TESTA STERZO TIE ROD END		
0582316	6Q0423804F	BARRA STERZO TIE ROD	1)	
0583884	6Q0423804E	BARRA STERZO TIE ROD	2) 3)	
0583885	6Q0423804G	BARRA STERZO TIE ROD	4) 5)	
0592316	6Q0423803F	BARRA STERZO TIE ROD	1)	
0593884	6Q0423803E	BARRA STERZO TIE ROD	2) 3)	
0593885	6Q0423803G	BARRA STERZO TIE ROD	4) 5)	
0602316	-	SNODO ASSIALE AXIAL JOINT	1)	
0603884	6Q0423804E *	SNODO ASSIALE AXIAL JOINT	2) 3)	
0603885	6Q0423804G *	SNODO ASSIALE AXIAL JOINT	4) 5)	
1211349	6E0419831	CUFFIA STERZO STEERING GAITER	1)	
1211411	6Q0423831D	CUFFIA STERZO STEERING GAITER	2) 3)	
1211445	5Z0422831	CUFFIA STERZO STEERING GAITER	4) 5)	

DESTRO
RIGHT



SINISTRO
LEFT

ROOMSTER	5J	09/2006 >
----------	----	-----------

Asse Anteriore



Front Axle



i 6) > CH. 5J-8B600 704/5J-85069 020	7) CH. 5J-8B-600 787/5J-850-666 688 >
---	---------------------------------------

OCAP	O.E.		i	
0481852	6Q0407366A	SNODO SOSPENSIONE - CON KIT VITI BALL JOINT - WITH BOLT KIT	6)	
0485341	6R0407366	SNODO SOSPENSIONE - CON KIT VITI BALL JOINT - WITH BOLT KIT	7)	
0491852	6Q0407365A	SNODO SOSPENSIONE - CON KIT VITI BALL JOINT - WITH BOLT KIT	6)	
0495341	6R0407365	SNODO SOSPENSIONE - CON KIT VITI BALL JOINT - WITH BOLT KIT	7)	
0701852	6Q0407151L	BRACCIO OSCILLANTE TRACK CONTROL ARM	6)	
0781852	-	BRACCIO OSCILLANTE COMPLETO COMPLETE TRACK CONTROL ARM	6)	
0783272	6R0407152	BRACCIO OSCILLANTE TRACK CONTROL ARM		
0791852	-	BRACCIO OSCILLANTE COMPLETO COMPLETE TRACK CONTROL ARM	6)	
0793272	6R0407151	BRACCIO OSCILLANTE TRACK CONTROL ARM		
1215039	357407182	SILENTBLOCK CENTRALE CENTRAL BUSHING	7)	
1215198	1J0407181	SILENTBLOCK ESTREMO OUTER BUSHING	7)	
1215558	6Q0407182A	SILENTBLOCK CENTRALE CENTRAL BUSHING	6)	
1215567	1K0407183E	SILENTBLOCK ESTREMO OUTER BUSHING	6)	
1249203	6N0407175A	STAFFA STIRRUP		

DESTRO
RIGHT



SINISTRO
LEFT

ROOMSTER

5J

09/2006 >

Asse Anteriore



Front Axle



Asse Posteriore



Rear Axle



i 7) CH. 5J-8B-600 787/5J-850-666 688 > **8) VERSIONE RINFORZATA - REINFORCED**

OCAP	O.E.		i	
0501390	6Q0411315G	STABILIZZATORE STABILIZER LINK		
0785342	6R0407152 *	BRACCIO OSCILLANTE COMPLETO COMPLETE TRACK CONTROL ARM	7)	
0795342	6R0407151 *	BRACCIO OSCILLANTE COMPLETO COMPLETE TRACK CONTROL ARM	7)	
0903137	6R0501541A *	KIT SILENTBLOCK BUSHING KIT		DIAM. 72 mm.
0905577	1J0501541D *	KIT SILENTBLOCK BUSHING KIT		DIAM. 69 mm.
1214262	6Q0411314R	SILENTBLOCK BARRA STABILIZZATRICE STABILIZING BAR BUSHING		DIAM. 18 mm.
1215200	6R0501541A	SILENTBLOCK BUSHING		DIAM. 72 mm.
1216035	8N0407181B	SILENTBLOCK ESTREMO OUTER BUSHING	8)	
1216151	1J0501541D	SILENTBLOCK BUSHING		DIAM. 69 mm.

DESTRO
RIGHT



SINISTRO
LEFT

SUPERB

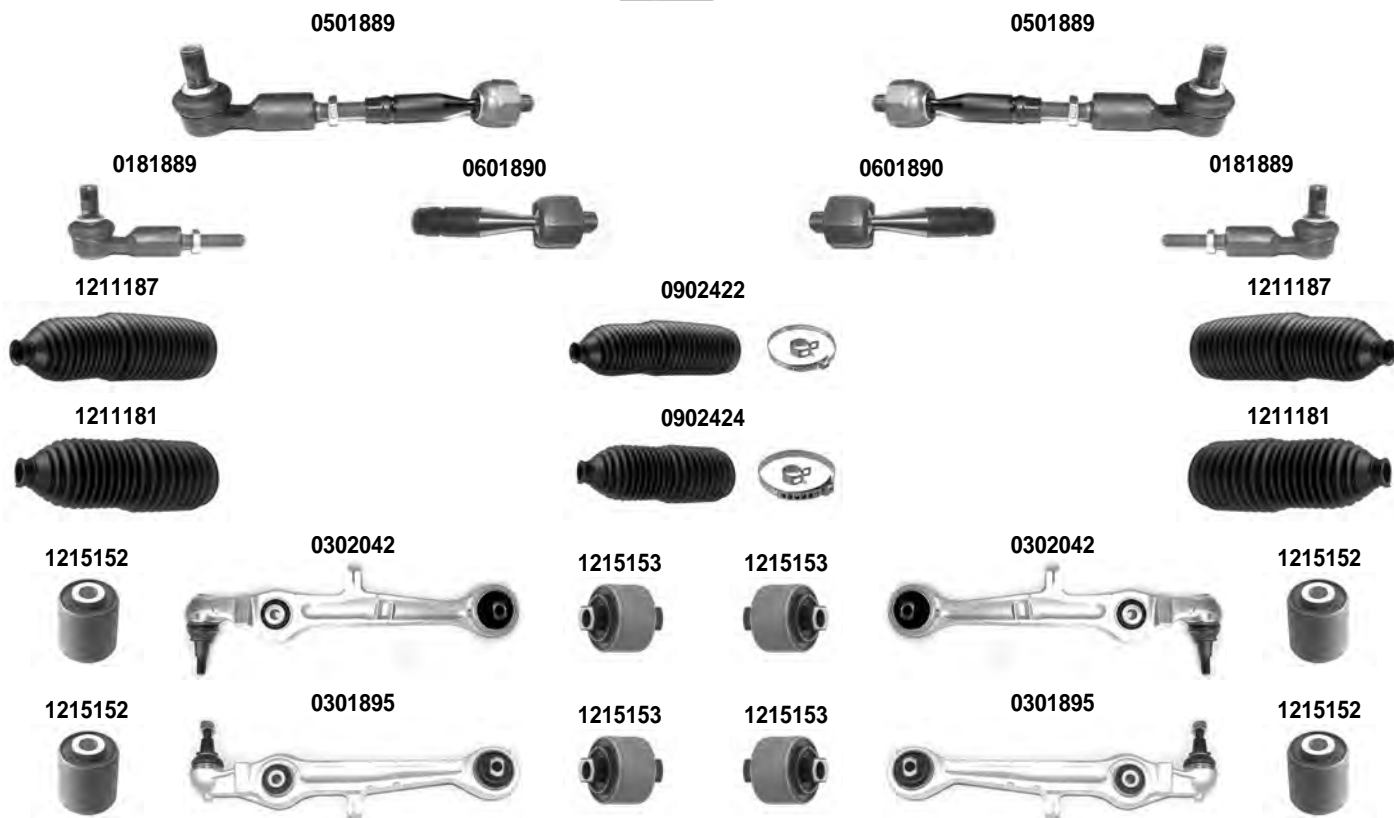
3U4

02/2002 >

Asse Anteriore



Front Axle



<p>i 1) 4 CILINDRI - 4 CILINDRES 3) SINO A - TO: CH. > 3U-3-021 397</p>	<p>2) 6 CILINDRI - 6 CILINDRES 4) DA - FROM: CH. 3U-3-021 398 ></p>
---	--

OCAP	O.E.		i	
0181889	8E0419811B	TESTA STERZO TIE ROD END		RHT M14x1,5
0301895	4B3407151F	BRACCIO OSCILLANTE - ALLUMINIO - INFERIORE TRACK CONTROL ARM - ALUMINIUM - LOWER	4)	
0302042	4D0407151P	BRACCIO OSCILLANTE - ALLUMINIO - INFERIORE TRACK CONTROL ARM - ALUMINIUM - LOWER	3)	
0501889	8E0419801B	BARRA STERZO TIE ROD		
0601890	8E0422821	SNODO ASSIALE AXIAL JOINT		RHT M14x1,5
0902422	8D0419831J *	KIT CUFFIE STERZO STEERING GAITER KIT	1)	
0902424	4D0419831D *	KIT CUFFIE STERZO STEERING GAITER KIT	2)	
1211181	4D0419831D	CUFFIA STERZO STEERING GAITER	2)	
1211187	8D0419831J	CUFFIA STERZO STEERING GAITER	1)	
1215152	4D0407181F	SILENTBLOCK CENTRALE CENTRAL BUSHING		
1215153	4D0407182E	SILENTBLOCK ESTREMO OUTER BUSHING		

DESTRO
RIGHT



SINISTRO
LEFT

SUPERB

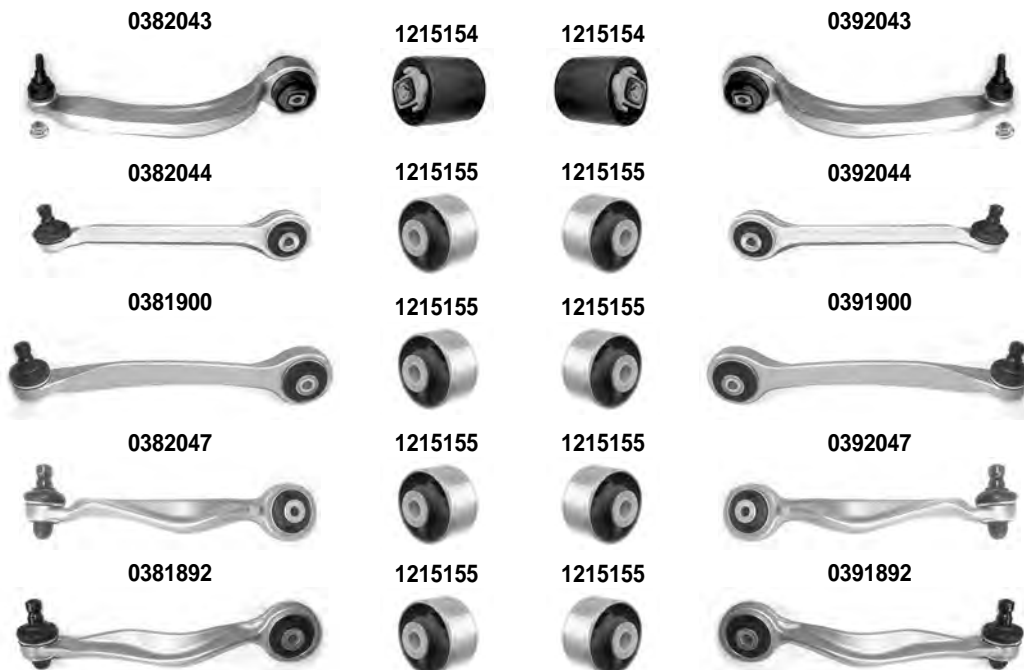
3U4

02/2002 >

Asse Anteriore



Front Axle



i 3) SINO A - TO: CH. > 3U-3-021 397 4) DA - FROM: CH. 3U-3-021 398 >

OCAP	O.E.		i	
0381892	8E0407510P	BRACCIO OSCILLANTE - SUPERIORE - ALLUMINIO - POSTERIORE UPPER TRACK CONTROL ARM - ALUMINIUM - REAR	4)	
0381900	8E0407506C	BRACCIO OSCILLANTE - SUPERIORE - ALLUMINIO - ANTERIORE UPPER TRACK CONTROL ARM - ALUMINIUM - FRONT	4)	
0382043	8E0407694Q	BRACCIO OSCILLANTE - ALLUMINIO - INFERIORE TRACK CONTROL ARM - ALUMINIUM - LOWER		
0382044	8D0407506K	BRACCIO OSCILLANTE - SUPERIORE - ALLUMINIO - ANTERIORE UPPER TRACK CONTROL ARM - ALUMINIUM - FRONT	3)	
0382047	8E0407510A	BRACCIO OSCILLANTE - SUPERIORE - ALLUMINIO - POSTERIORE UPPER TRACK CONTROL ARM - ALUMINIUM - REAR	3)	
0391892	8E0407509P	BRACCIO OSCILLANTE - SUPERIORE - ALLUMINIO - POSTERIORE UPPER TRACK CONTROL ARM - ALUMINIUM - REAR	4)	
0391900	8E0407505C	BRACCIO OSCILLANTE - SUPERIORE - ALLUMINIO - ANTERIORE UPPER TRACK CONTROL ARM - ALUMINIUM - FRONT	4)	
0392043	8E0407693Q	BRACCIO OSCILLANTE - ALLUMINIO - INFERIORE TRACK CONTROL ARM - ALUMINIUM - LOWER		
0392044	8D0407505K	BRACCIO OSCILLANTE - SUPERIORE - ALLUMINIO - ANTERIORE UPPER TRACK CONTROL ARM - ALUMINIUM - FRONT	3)	
0392047	8E0407509A	BRACCIO OSCILLANTE - SUPERIORE - ALLUMINIO - POSTERIORE UPPER TRACK CONTROL ARM - ALUMINIUM - REAR	3)	
1215154	4D0407183Q	SILENTBLOCK IDRAULICO HYDRAULIC BUSHING		
1215155	4B0407515	SILENTBLOCK BUSHING		

DESTRO
RIGHT



SINISTRO
LEFT

SUPERB

3U4

02/2002 >

Asse Anteriore



Front Axle

0581902



1214125



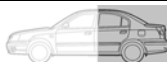
1214126



0591902



Asse Posteriore



Rear Axle

0503071



0503071



OCAP	O.E.		i	
0503071	8E0505465D	STABILIZZATORE STABILIZER LINK		
0581902	8D0411318D	STABILIZZATORE STABILIZER LINK		
0591902	8D0411317D	STABILIZZATORE STABILIZER LINK		
1214125	4D0411327G	SILENTBLOCK BARRA STABILIZZATRICE STABILIZING BAR BUSHING		DIAM. 25 mm.
1214126	4D0411327H	SILENTBLOCK BARRA STABILIZZATRICE STABILIZING BAR BUSHING		DIAM. 27 mm.

DESTRO
RIGHT



SINISTRO
LEFT

SUPERB
SUPERB SW
YETI

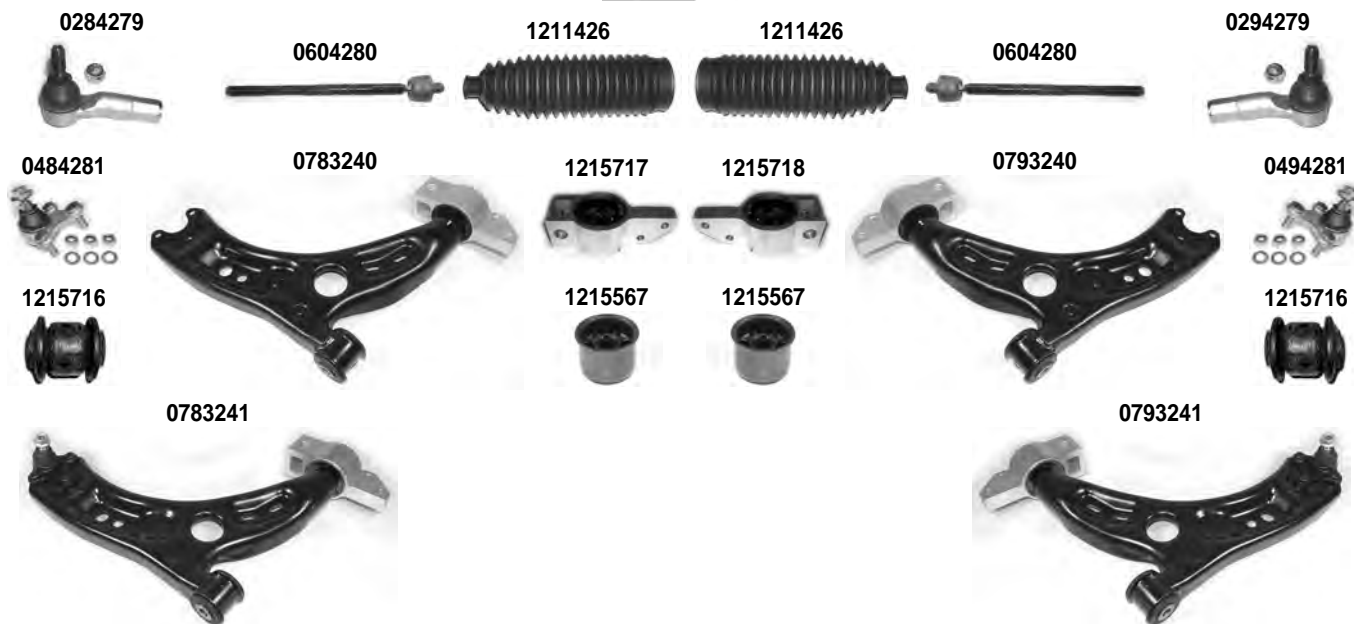
3T4
3T5
5L

03/2008 > 05/2015
10/2009 > 05/2015
05/2009 >

Asse Anteriore



Front Axle



i 1) > 08/2010

OCAP	O.E.		i	
0284279	1K0423812E	TESTA STERZO TIE ROD END		RHT M16X1,5
0294279	1K0423811E	TESTA STERZO TIE ROD END		RHT M16X1,5
0484281	5Q0407366A	SNODO SOSPENSIONE BALL JOINT		
0494281	5Q0407365A	SNODO SOSPENSIONE BALL JOINT		
0604280	1K0423810A	SNODO ASSIALE AXIAL JOINT		RHT M16X1,5
0783240	1K0407152BC	BRACCIO OSCILLANTE - INFERIORE - LAMIERA TRACK CONTROL ARM - LOWER - SHEET METAL	1)	
0783241	1K0407152BC *	BRACCIO OSCILLANTE - INFERIORE - LAMIERA - COMPLETO TRACK CONTROL ARM - LOWER - SHEET METAL - COMPLETE	1)	
0793240	1K0407151BC	BRACCIO OSCILLANTE - INFERIORE - LAMIERA TRACK CONTROL ARM - LOWER - SHEET METAL	1)	
0793241	1K0407151BC *	BRACCIO OSCILLANTE - INFERIORE - LAMIERA - COMPLETO TRACK CONTROL ARM - LOWER - SHEET METAL - COMPLETE	1)	
1211426	1K0423831A	CUFFIA STERZO STEERING GAITER		
1215567	1K0407183E	SILENTBLOCK BUSHING		
1215716	1K0407182	SILENTBLOCK CENTRALE CENTRAL BUSHING		
1215717	1K0199232J	SILENTBLOCK ESTREMO OUTER BUSHING		
1215718	1K0199231J	SILENTBLOCK ESTREMO OUTER BUSHING		

DESTRO
RIGHT



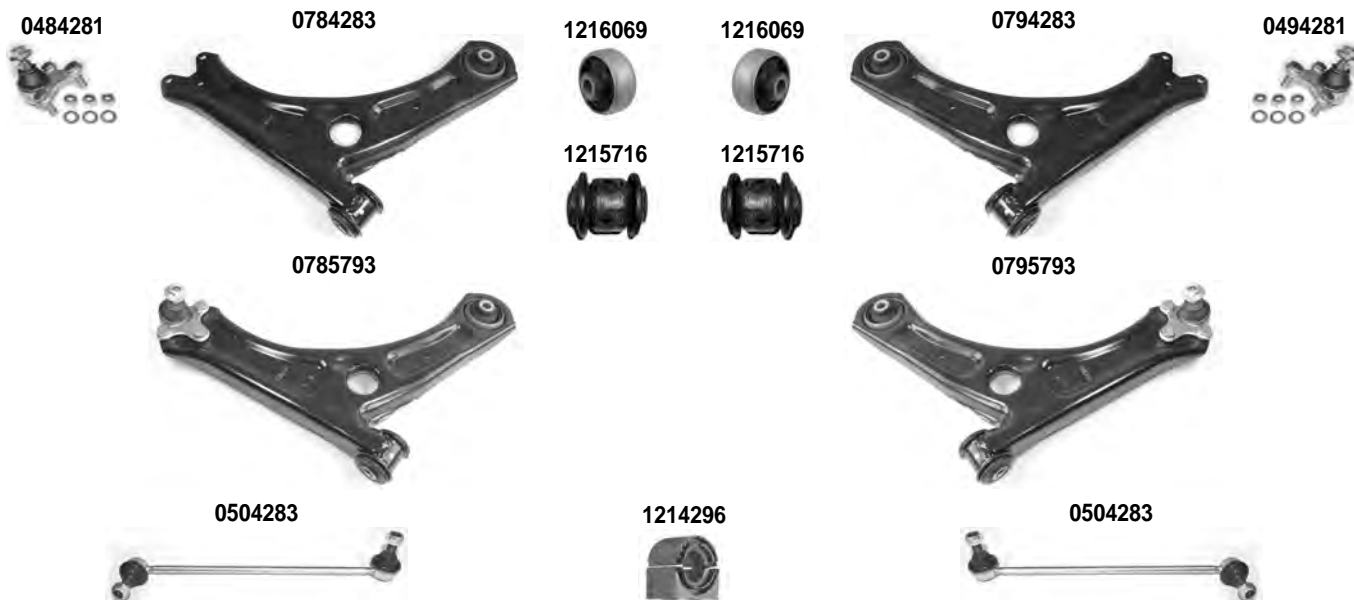
SINISTRO
LEFT

SUPERB SUPERB SW YETI	3T4 3T5 5L	03/2008 > 05/2015 10/2009 > 05/2015 05/2009 >
-----------------------------	------------------	---

Asse Anteriore



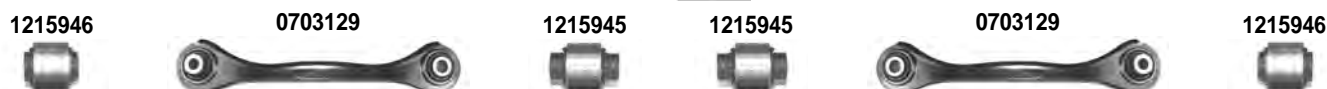
Front Axle



Asse Posteriore



Rear Axle



i 2) 08/2010 >	3) 06/2009 >
-----------------------	--------------

OCAP	O.E.		i	
0484281	5Q0407366A	SNODO SOSPENSIONE - INFERIORE BALL JOINT - LOWER		
0494281	5Q0407365A	SNODO SOSPENSIONE - INFERIORE BALL JOINT - LOWER		
0504283	1K0411315J	STABILIZZATORE STABILIZER LINK		
0703129	1K0501529J	BRACCIO SOSPENSIONE SUSPENSION ARM	3)	
0784283	1K0407152BB	BRACCIO OSCILLANTE - INFERIORE TRACK CONTROL ARM - LOWER	2)	
0785793	1K0407152BB *	BRACCIO OSCILLANTE - INFERIORE - COMPLETO TRACK CONTROL ARM - LOWER - COMPLETE	2)	
0794283	1K0407151BB	BRACCIO OSCILLANTE - INFERIORE TRACK CONTROL ARM - LOWER	2)	
0795793	1K0407151BB *	BRACCIO OSCILLANTE - INFERIORE - COMPLETO TRACK CONTROL ARM - LOWER - COMPLETE	2)	
1214296	1K0411303AM *	SILENTBLOCK BARRA STABILIZZATRICE STABILIZING BAR BUSHING		DIAM. 23 mm.
1215716	1K0407182	SILENTBLOCK CENTRALE CENTRAL BUSHING		
1215945	-	SILENTBLOCK BRACCIO SOSPENSIONE - INTERNO CONTROL ARM BUSHING - INNER		DIAM. 12 mm.
1215946	-	SILENTBLOCK BRACCIO SOSPENSIONE - ESTERNO CONTROL ARM BUSHING - OUTER		DIAM. 14 mm.
1216069	1K0407183M	SILENTBLOCK ESTREMO OUTER BUSHING	2)	

DESTRO
RIGHT



SINISTRO
LEFT

SUPERB
SUPERB SW
YETI

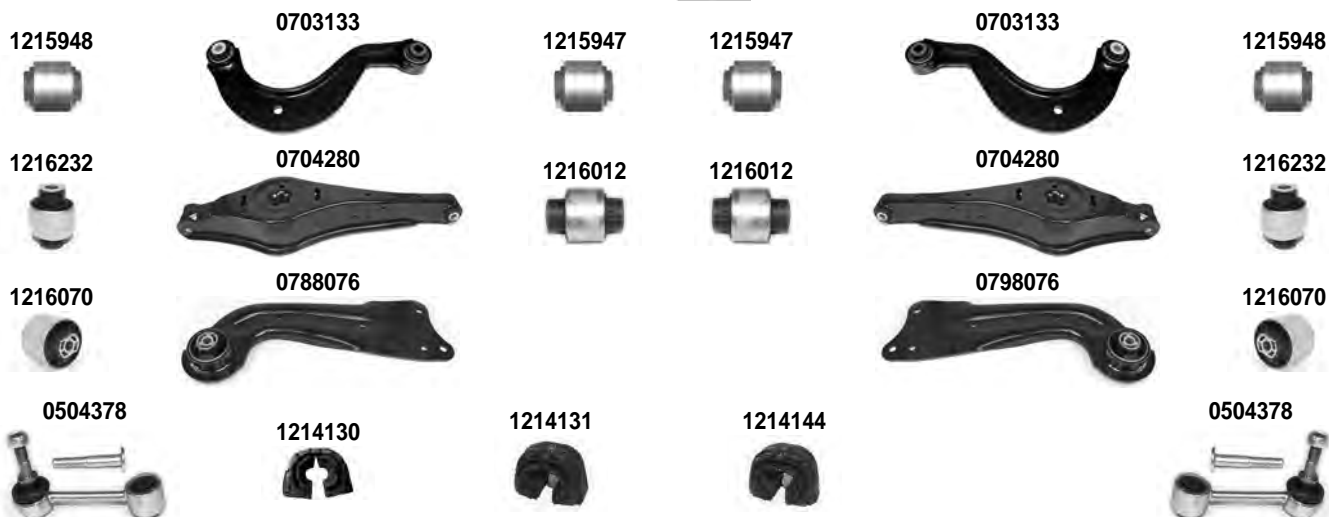
3T4
3T5
5L

03/2008 > 05/2015
10/2009 > 05/2015
05/2009 >

Asse Posteriore



Rear Axle



i 4) SOLO PER - ONLY FOR : SUPERB 5) SOLO PER - ONLY FOR : YETI

OCAP	O.E.		i	
0504378	1K0505465K	STABILIZZATORE STABILIZER LINK		
0703133	1K0411315J	BRACCIO SOSPENSIONE SUSPENSION ARM		
0704280	1K0505311AB	BRACCIO SOSPENSIONE SUSPENSION ARM		
0788076	1K0505224K	BRACCIO SOSPENSIONE SUSPENSION ARM		
0798076	1K0505223K	BRACCIO SOSPENSIONE SUSPENSION ARM		
1214130	1K0511327AE	SILENTBLOCK BARRA STABILIZZATRICE STABILIZING BAR BUSHING	4)	DIAM. 18,5 mm.
1214131	1K0511327AR	SILENTBLOCK BARRA STABILIZZATRICE STABILIZING BAR BUSHING	4)	DIAM. 20,7 mm.
1214144	1K0511327AQ	SILENTBLOCK BARRA STABILIZZATRICE STABILIZING BAR BUSHING	5)	DIAM. 17 mm.
1215947	1K0505279A	SILENTBLOCK BRACCIO SOSPENSIONE - INTERNO CONTROL ARM BUSHING - INNER		DIAM. 12 mm.
1215948	1K0505203A	SILENTBLOCK BRACCIO SOSPENSIONE - ESTERNO CONTROL ARM BUSHING - OUTER		DIAM. 14 mm.
1216012	1K0505311AB *	SILENTBLOCK BUSHING		
1216070	1K0505541C	SILENTBLOCK BUSHING		
1216232	1K0505553A	SILENTBLOCK BUSHING		

DESTRO
RIGHT



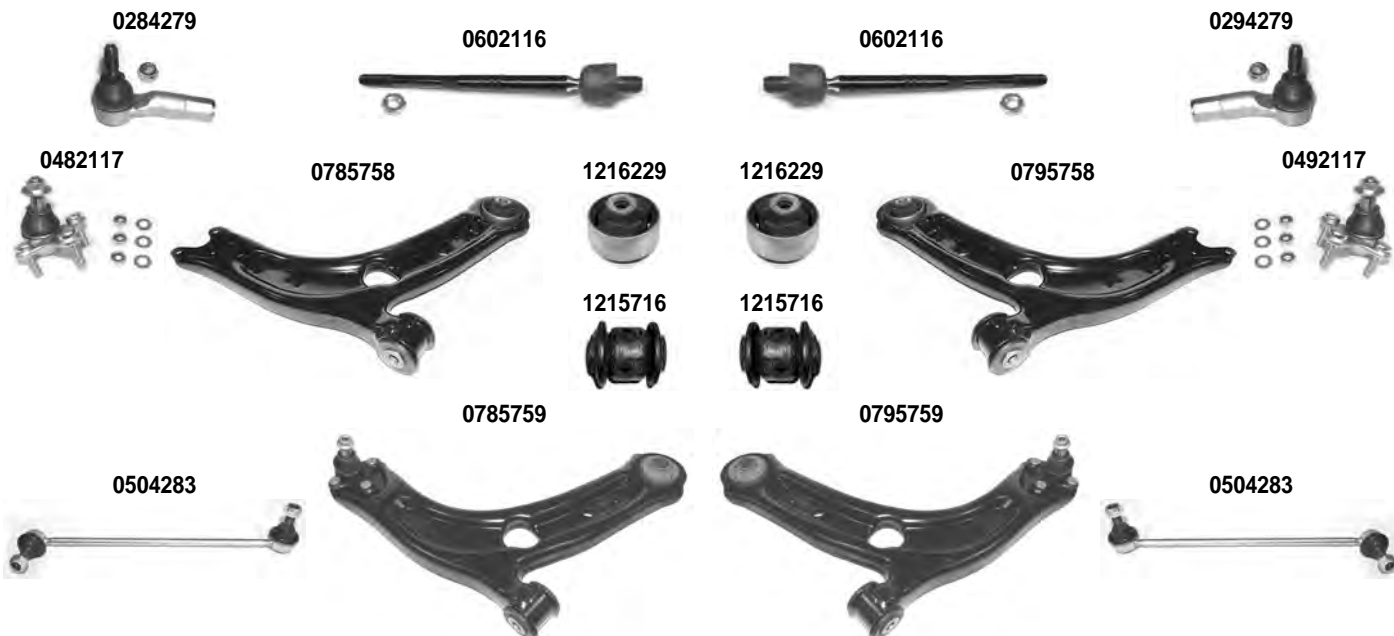
SINISTRO
LEFT

SUPERB SUPERB SW	3V3 3V5	05/2015 > 05/2015 >
---------------------	------------	------------------------

Asse Anteriore



Front Axle



OCAP	O.E.			
0284279	1K0423812E	TESTA STERZO TIE ROD END		RHT M16x1,5
0294279	1K0423811E	TESTA STERZO TIE ROD END		RHT M16x1,5
0482117	3C0407366B	SNODO SOSPENSIONE - INFERIORE BALL JOINT - LOWER		
0492117	3C0407365B	SNODO SOSPENSIONE - INFERIORE BALL JOINT - LOWER		
0504283	1K0411315D	STABILIZZATORE STABILIZER LINK		
0602116	561423810	SNODO ASSIALE AXIAL JOINT		RHT M16x1,5
0785758	3Q0407152E	BRACCIO OSCILLANTE - INFERIORE TRACK CONTROL ARM - LOWER		
0785759	3Q0407152E *	BRACCIO OSCILLANTE - INFERIORE - COMPLETO TRACK CONTROL ARM - LOWER - COMPLETE		
0795758	3Q0407151E	BRACCIO OSCILLANTE - INFERIORE TRACK CONTROL ARM - LOWER		
0795759	3Q0407151E *	BRACCIO OSCILLANTE - INFERIORE - COMPLETO TRACK CONTROL ARM - LOWER - COMPLETE		
1215716	1K0407182	SILENTBLOCK CENTRALE CENTRAL BUSHING		
1216229	5Q0407183E	SILENTBLOCK ESTREMO OUTER BUSHING		

DESTRO
RIGHT



SINISTRO
LEFT

SUPERB
SUPERB SW

3V3
3V5

05/2015 >
05/2015 >

Asse Posteriore



Rear Axle



OCAP	O.E.		i	
0505748	5Q0505465C	STABILIZZATORE STABILIZER LINK		
0708512	3Q0505311E	BRACCIO SOSPENSIONE SUSPENSION ARM		
1216340	3Q0505311E *	SILENTBLOCK BUSHING		

100 - 105 - 110 - 120

DESTRO
RIGHT



SINISTRO
LEFT

100 - 105 - 110 - 120
130 L

1969 > 1989
1985 > 1989

Asse Anteriore



Front Axle

0282503

0602504

0602504

0282503



OCAP	O.E.			
0282503	111500440	TESTA STERZO TIE ROD END		RHT M12x1
0602504	111500420	SNODO ASSIALE AXIAL JOINT		RHT M12x1

DESTRO
RIGHT



SINISTRO
LEFT

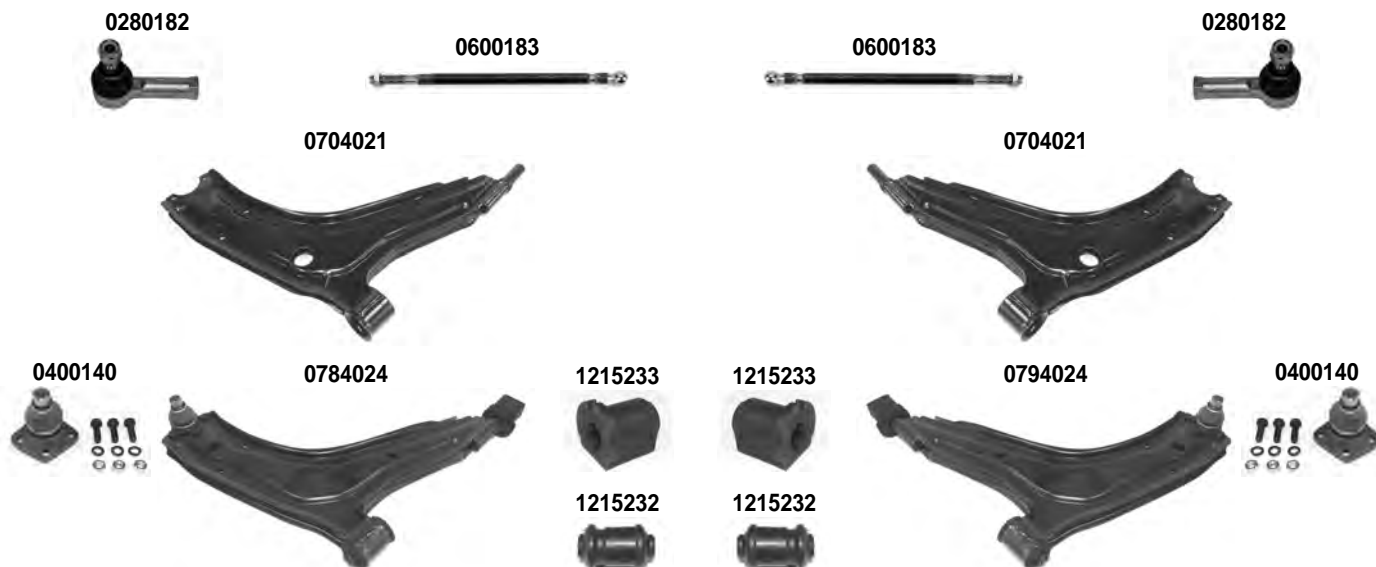
135 FAVORIT
135 FORMAN

1989 >
1994 >

Asse Anteriore



Front Axle



i 1) > 11/1993

OCAP	O.E.		
0280182	6U0422811	TESTA STERZO TIE ROD END	RHT M12x1
0400140	115420240	SNODO SOSPENSIONE - INFERIORE SUSPENSION JOINT - LOWER	
0600183	115500420	SNODO ASSIALE AXIAL JOINT	RHT M12x1
0704021	115420022	BRACCIO OSCILLANTE TRACK CONTROL ARM	1)
0784024	115420021	BRACCIO OSCILLANTE - COMPLETO CONTROL ARM - COMPLETE	1)
0794024	115420020	BRACCIO OSCILLANTE - COMPLETO CONTROL ARM - COMPLETE	1)
1215232	115422290	SILENTBLOCK CENTRALE CENTRAL BUSHING	
1215233	115422291	SILENTBLOCK ESTREMO OUTER BUSHING	

DESTRO
RIGHT



SINISTRO
LEFT

135 FAVORIT 135 FORMAN	1989 > 1994 >
---------------------------	------------------

Asse Anteriore



Front Axle



i 2) 12/1993 >

OCAP	O.E.		i	
0400140	115420240	SNODO SOSPENSIONE - INFERIORE SUSPENSION JOINT - LOWER		
0784022	115420024	BRACCIO OSCILLANTE TRACK CONTROL ARM	2)	
0794022	115420023	BRACCIO OSCILLANTE TRACK CONTROL ARM	2)	
1215232	115422290	SILENTBLOCK CENTRALE CENTRAL BUSHING		
1215234	115422292	SILENTBLOCK ESTREMO OUTER BUSHING		

DESTRO
RIGHT



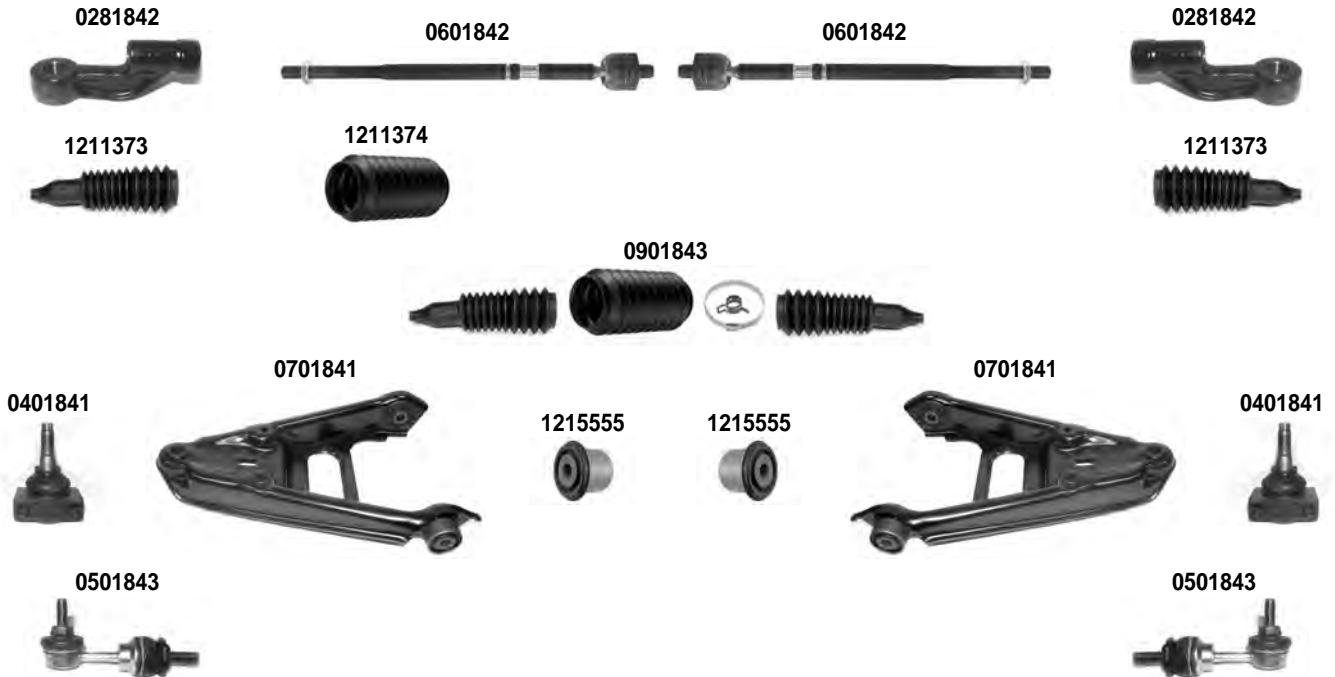
SINISTRO
LEFT

CITY COUPE'	450	1998 > 01/2004
CABRIO	450	2000 > 01/2004
ROADSTER	450	04/2003 >
FORTWO	450	01/2004 >

Asse Anteriore



Front Axle



Asse Posteriore



Rear Axle



i 1) ECCETTO - EXCEPT - ROADSTER

OCAP	O.E.		
0281842	4887V002000000	TESTA STERZO TIE ROD END	RHT M14x1,5
0401841	2271V007000005	SNODO SOSPENSIONE E STERZO SUSPENSION JOINT AND STEERING	
0501843	5102V005000000	STABILIZZATORE STABILIZER LINK	
0501844	1802V004000000	STABILIZZATORE STABILIZER LINK	
0601842	4684V008000000	SNODO ASSIALE AXIAL JOINT	RHT M14x1,5
0701841	0014141V001	BRACCIO OSCILLANTE TRACK CONTROL ARM	
0701842	1765V005000000	BARRA SOSPENSIONE SUSPENSION ROD	
0901843	5376V001000000	KIT CUFFIE STERZO STEERING GAITER KIT	1)
1211373	5376V001000000	CUFFIA STERZO STEERING GAITER	1)
1211374	4914V002000000	CUFFIA STERZO STEERING GAITER	1)
1215555	-	SILENTBLOCK BUSHING	

DESTRO
RIGHT



SINISTRO
LEFT

FORTWO COUPE'
FORTWO CABRIO

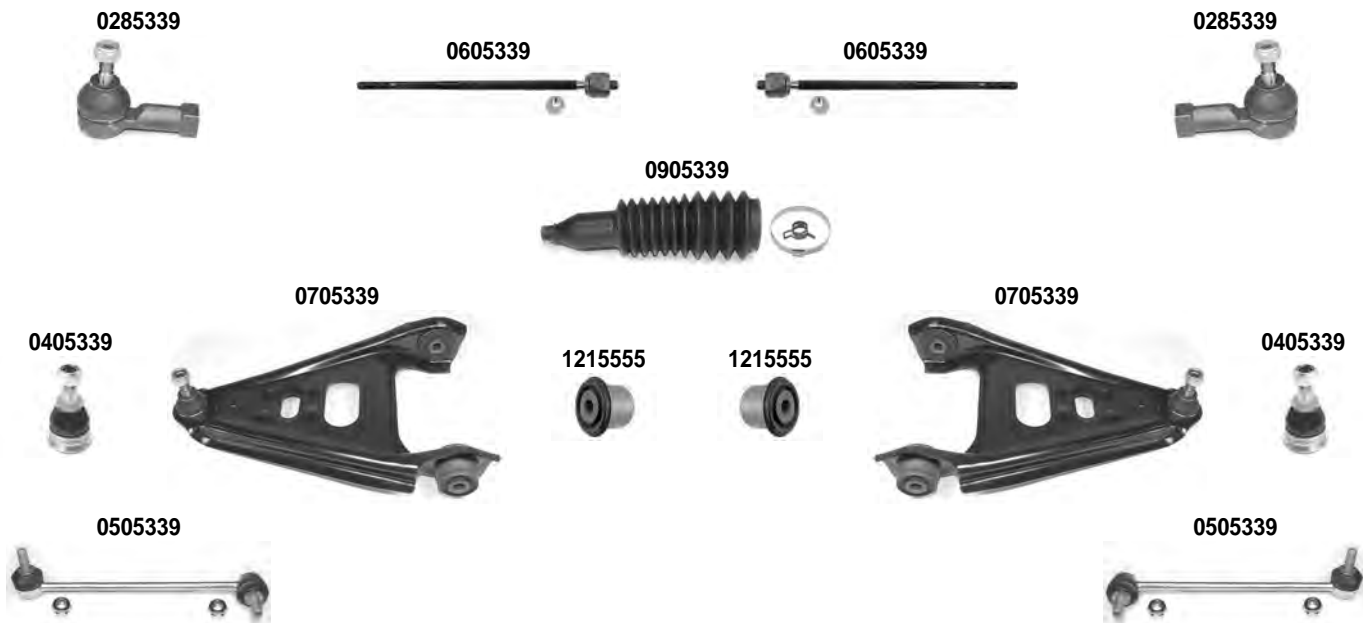
451
451

01/2007 > 2014
01/2007 >

Asse Anteriore



Front Axle



Asse Posteriore



Rear Axle



OCAP	O.E.			
0285339	4513380137	TESTA STERZO TIE ROD END		RHT M12x1,5
0405339	4513300010 *	SNODO SOSPENSIONE BALL JOINT		
0505339	4513200189	STABILIZZATORE STABILIZER LINK		
0605339	4513380137 *	SNODO ASSIALE AXIAL JOINT		RHT M12x1,5
0701843	4513500129	BRACCIO SOSPENSIONE CONTROL ARM		
0705339	4513300010	BRACCIO OSCILLANTE TRACK CONTROL ARM		
0905339	4514600096	KIT CUFFIA STERZO STEERING GAITER KIT		
1215555	-	SILENTBLOCK BUSHING		

DESTRO
RIGHT



SINISTRO
LEFT

FORTWO COUPE'

453

07/2014 >

Asse Anteriore



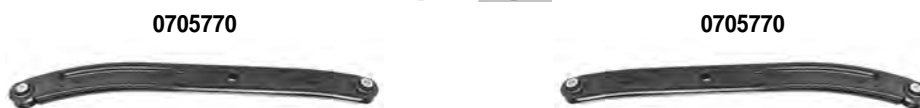
Front Axle



Asse Posteriore



Rear Axle



OCAP	O.E.			
0285770	4533307000	TESTA STERZO TIE ROD END		RHT M14x1,5
0295770	4533307100	TESTA STERZO TIE ROD END		RHT M14x1,5
0405770	4533303000 *	SNODO SOSPENSIONE - INFERIORE LOWER SUSPENSION JOINT		
0505770	4533200089	STABILIZZATORE STABILIZER LINK		
0605770	4534630000 *	SNODO ASSIALE AXIAL JOINT		RHT M14x1,5
0705770	4533506700	BRACCIO SOSPENSIONE SUSPENSION ARM		
0785770	4533303000	BRACCIO OSCILLANTE TRACK CONTROL ARM		
0795770	4533302900	BRACCIO OSCILLANTE TRACK CONTROL ARM		
1216254	4533303000 **	SILENTBLOCK BUSHING		
1216255	4533302900 **	SILENTBLOCK BUSHING		

DESTRO
RIGHT



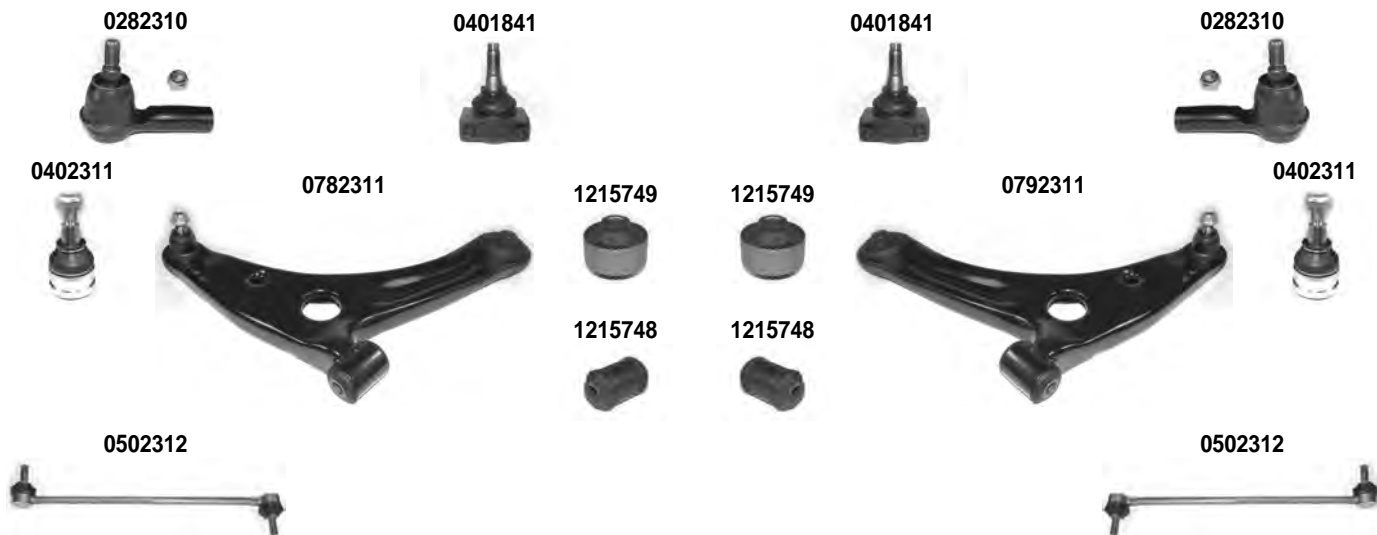
SINISTRO
LEFT

FORFOUR	454	04/2004 > 2014
---------	-----	----------------

Asse Anteriore



Front Axle



Asse Posteriore



Rear Axle



OCAP	O.E.			
0282310	4544600205	TESTA STERZO TIE ROD END		RHT M12x1,25
0401841	2271V007000005	SNODO SOSPENSIONE E STERZO SUSPENSION JOINT AND STEERING		
0402311	4543300807 *	SNODO SOSPENSIONE BALL JOINT		
0502312	4543200010	STABILIZZATORE STABILIZER LINK		
0782311	4543300807	BRACCIO OSCILLANTE TRACK CONTROL ARM		
0792311	4543300707	BRACCIO OSCILLANTE TRACK CONTROL ARM		
0904165	4056A052	STABILIZZATORE STABILIZER LINK		
1215748	4543300807 **	SILENTBLOCK CENTRALE CENTRAL BUSHING		
1215749	4543300707 **	SILENTBLOCK ESTREMO OUTER BUSHING		

DESTRO
RIGHT



SINISTRO
LEFT

FORFOUR

2 V (453)

07/2014 >

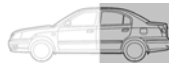
Asse Anteriore



Front Axle



Asse Posteriore



Rear Axle



OCAP	O.E.		
0285770	4533307000	TESTA STERZO TIE ROD END	RHT M14x1,5
0295770	4533307100	TESTA STERZO TIE ROD END	RHT M14x1,5
0405770	4533303000 *	SNODO SOSPENSIONE - INFERIORE LOWER SUSPENSION JOINT	
0505770	4533200089	STABILIZZATORE STABILIZER LINK	
0605770	4534630000 *	SNODO ASSIALE AXIAL JOINT	RHT M14x1,5
0705770	4533506700	BRACCIO SOSPENSIONE SUSPENSION ARM	
0785770	4533303000	BRACCIO OSCILLANTE TRACK CONTROL ARM	
0795770	4533302900	BRACCIO OSCILLANTE TRACK CONTROL ARM	
1216254	4533303000 **	SILENTBLOCK BUSHING	
1216255	4533302900 **	SILENTBLOCK BUSHING	

DESTRO
RIGHT



SINISTRO
LEFT

ACTYON

11/2005 >

Asse Anteriore



Front Axle

0284649



0294649



0304649



0304649



0584649



0404649



0404649



0594649



Asse Posteriore



Rear Axle

0502447



0502447



OCAP	O.E.			
0284649	4666008011	TESTA STERZO TIE ROD END		RHT M16x1,5
0294649	4666008001	TESTA STERZO TIE ROD END		RHT M16x1,5
0304649	4440109001	BRACCIO OSCILLANTE - SUPERIORE TRACK CONTROL ARM - UPPER		
0404649	4454109002	SNODO SOSPENSIONE - INFERIORE BALL JOINT - LOWER		
0502447	4475005001	STABILIZZATORE STABILIZER LINK		
0584649	4475209000	STABILIZZATORE STABILIZER LINK		
0594649	4475109000	STABILIZZATORE STABILIZER LINK		

DESTRO
RIGHT



SINISTRO
LEFT

KORANDO MUSSO	KJ	1999 >
	FJ	1999 >

Asse Anteriore



Front Axle



OCAP	O.E.		
0282443	4666005501	TESTA STERZO TIE ROD END	RHT M14x 1,5
0402445	4450505001	SNODO SOSPENSIONE - INFERIORE BALL JOINT - LOWER	
0402446	4443003011	SNODO SOSPENSIONE - SUPERIORE BALL JOINT - UPPER	
0502447	4475005001	STABILIZZATORE STABILIZER LINK	
0603276	-	SNODO ASSIALE AXIAL JOINT	RHT M14x 1,5

DESTRO
RIGHT



SINISTRO
LEFT

KYRON

05/2005 >

Asse Anteriore



Front Axle

0284649



0294649



0788065



0798065



0404649



0404649



0388065



0398065



i 1) 10/2004 > 07/2006	2) > 04/2007
-------------------------------	--------------

OCAP	O.E.		i	
0284649	4666008011	TESTA STERZO TIE ROD END		RHT M16x1,5
0294649	4666008001	TESTA STERZO TIE ROD END		RHT M16x1,5
0388065	4440209011	BRACCIO OSCILLANTE - SUPERIORE TRACK CONTROL ARM - UPPER	2)	
0398065	4440109011	BRACCIO OSCILLANTE - SUPERIORE TRACK CONTROL ARM - UPPER	2)	
0404649	4454109004	SNODO SOSPENSIONE - INFERIORE BALL JOINT - LOWER		
0788065	4450209001	BRACCIO OSCILLANTE - INFERIORE TRACK CONTROL ARM - LOWER	1)	
0798065	4450109001	BRACCIO OSCILLANTE - INFERIORE TRACK CONTROL ARM - LOWER	1)	

DESTRO
RIGHT



SINISTRO
LEFT

KYRON

05/2005 >

Asse Anteriore



Front Axle

0502447



0502447



0588066



0598066



Asse Posteriore



Rear Axle

0588067



0598067



i 3) SOLO PER - ONLY FOR : MOD. 4WD

4) SOLO PER - ONLY FOR : MOD. 2WD

OCAP	O.E.		i	
0502447	4475005001	STABILIZZATORE STABILIZER LINK	3)	
0588066	4475209000	STABILIZZATORE STABILIZER LINK	4)	
0588067	4575109001	STABILIZZATORE STABILIZER LINK	4)	
0598066	4475109000	STABILIZZATORE STABILIZER LINK	4)	
0598067	4575009001	STABILIZZATORE STABILIZER LINK	4)	

DESTRO
RIGHT



SINISTRO
LEFT

REXTON	GAB	04/2002 >
--------	-----	-----------

Asse Anteriore



Front Axle



i 1) > 10/2004	2) 10/2004 > 07/2006
-----------------------	------------------------------

OCAP	O.E.		i	
0284649	4666008011	TESTA STERZO TIE ROD END		RHT M16x1,5
0294649	4666008001	TESTA STERZO TIE ROD END		RHT M16x1,5
0404649	4454109004	SNODO SOSPENSIONE - INFERIORE BALL JOINT - LOWER		
0785174	4450208005	BRACCIO OSCILLANTE - INFERIORE TRACK CONTROL ARM - LOWER	1)	
0788065	4450209001	BRACCIO OSCILLANTE - INFERIORE TRACK CONTROL ARM - LOWER	2)	
0795174	4450108005	BRACCIO OSCILLANTE - INFERIORE TRACK CONTROL ARM - LOWER	1)	
0798065	4450109001	BRACCIO OSCILLANTE - INFERIORE TRACK CONTROL ARM - LOWER	2)	

DESTRO
RIGHT

 SINISTRO
LEFT

REXTON

GAB

04/2002 >

Asse Anteriore



Front Axle



Asse Posteriore



Rear Axle



i 3) > 2005
5) 03/2006 >
7) > 03/2006

4) 2005 > 04/2007
6) > 01/2004
8) SOLO PER - ONLY FOR : MOD. 2WD

OCAP	O.E.		i	
0385175	4440208000	BRACCIO OSCILLANTE - SUPERIORE TRACK CONTROL ARM - UPPER	3)	
0388065	4440209011	BRACCIO OSCILLANTE - SUPERIORE TRACK CONTROL ARM - UPPER	4)	
0395175	4440108000	BRACCIO OSCILLANTE - SUPERIORE TRACK CONTROL ARM - UPPER	3)	
0398065	4440109011	BRACCIO OSCILLANTE - SUPERIORE TRACK CONTROL ARM - UPPER	4)	
0508065	4540108000	ASTA SOSPENSIONE SUSPENSION ARM		
0508066	4475008000	STABILIZZATORE STABILIZER LINK	6)	
0585176	4475508000	STABILIZZATORE STABILIZER LINK	7)	
0588066	4475209000	STABILIZZATORE STABILIZER LINK	5)	
0588067	4575109001	STABILIZZATORE STABILIZER LINK	8)	
0595176	4475008001	STABILIZZATORE STABILIZER LINK	7)	
0598066	4475109000	STABILIZZATORE STABILIZER LINK	5)	
0598067	4575009001	STABILIZZATORE STABILIZER LINK	8)	

DESTRO
RIGHT



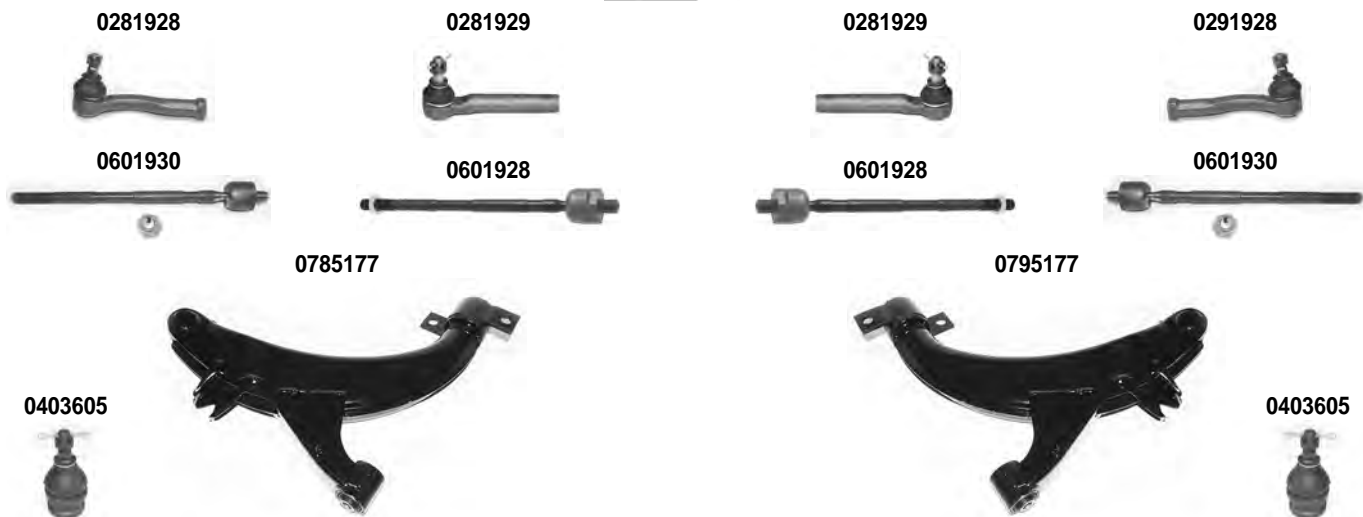
SINISTRO
LEFT

FORESTER I IMPREZA I LEGACY I	SF GC- GF-GFC BC-BJF	08/1997 > 09/2002 08/1992 > 12/2000 01/1989 > 08/1994
-------------------------------------	----------------------------	---

Asse Anteriore



Front Axle



i 1) MOD. IMPREZA - SENZA ABS - WITHOUT ABS 3) SOLO - ONLY - LEGACY - IMPREZA 5) SOLO - ONLY - FORESTER - 08/1999 >	2) SOLO - ONLY - FORESTER - IMPREZA 4) 12/1993 > 01/1998
--	---

OCAP	O.E.		i	
0281928	31320-GA190	TESTA STERZO TIE ROD END	1)	RHT M14x1,5
0281929	34141-AA041	TESTA STERZO TIE ROD END		RHT M14x1,5 L = 139 mm.
0291928	31320-GA200	TESTA STERZO TIE ROD END	1)	RHT M14x1,5
0403605	21067-GA050	SNODO SOSPENSIONE - INFERIORE BALL JOINT - LOWER		
0601928	34140-AA040	SNODO ASSIALE AXIAL JOINT	3)	RHT M14x1,5
0601930	34140-FC000	SNODO ASSIALE AXIAL JOINT	2)	RHT M14x1,5
0785177	20200FC120	BRACCIO OSCILLANTE - INFERIORE TRACK CONTROL ARM - LOWER	4) 5)	
0795177	20200FC130	BRACCIO OSCILLANTE - INFERIORE TRACK CONTROL ARM - LOWER	4) 5)	

DESTRO
RIGHT



SINISTRO
LEFT

FORESTER I
IMPREZA I
LEGACY I

SF
GC- GF-GFC
BC-BJF

08/1997 > 09/2002
08/1992 > 12/2000
01/1989 > 08/1994

Asse Anteriore



Front Axle

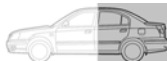
0501931



0501931



Asse Posteriore






Rear Axle

0505178



0505178



OCAP	O.E.			
0501931	20420-AA004	STABILIZZATORE STABILIZER LINK		
0505178	20481AA000	STABILIZZATORE STABILIZER LINK		

DESTRO
RIGHT



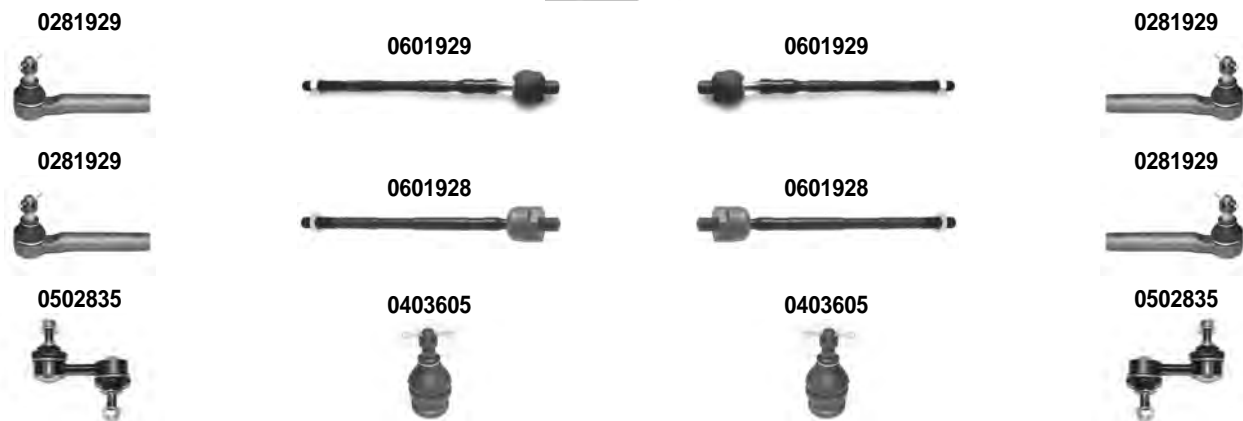
SINISTRO
LEFT

FORESTER II IMPREZA II LEGACY II	SG GD-GG BD-BG	09/2002 > 12/2000 > 09/1994 >03/1998
--	----------------------	--

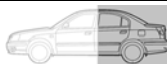
Asse Anteriore



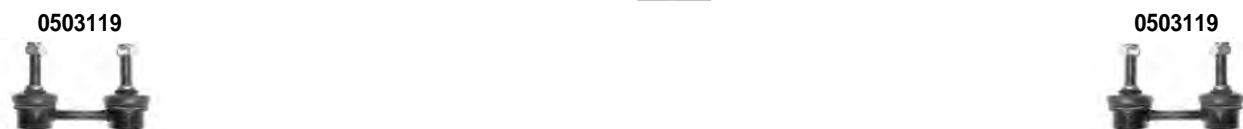
Front Axle



Asse Posteriore



Rear Axle



i 1) SOLO - ONLY - FORESTER - IMPREZA	2) SOLO - ONLY - LEGACY
--	-------------------------

OCAP	O.E.		i	
0281929	34141-AA041	TESTA STERZO TIE ROD END		RHT M14x1,5
0403605	21067-GA050	SNODO SOSPENSIONE - INFERIORE BALL JOINT - LOWER		
0502835	20470-SA000	STABILIZZATORE STABILIZER LINK		
0503119	20470-SA011	STABILIZZATORE STABILIZER LINK	1)	
0601928	34140-AA040	SNODO ASSIALE AXIAL JOINT	2)	RHT M14x1,5
0601929	34160-AE001	SNODO ASSIALE AXIAL JOINT	1)	RHT M14x1,5

DESTRO
RIGHT



SINISTRO
LEFT

FORESTER

SH

01/2008 >

Asse Anteriore



Front Axle

0281929



0603605



0603605



0281929



0502835



0403605



0403605



0502835



Asse Posteriore



Rear Axle

0505578



0505578



OCAP	O.E.			
0281929	34141-AA041	TESTA STERZO TIE ROD END		RHT M14x1,5
0403605	21067-GA050	SNODO SOSPENSIONE - INFERIORE BALL JOINT - LOWER		
0502835	20470-SA000	STABILIZZATORE STABILIZER LINK		
0505578	20470-SC000	STABILIZZATORE STABILIZER LINK		
0603605	34160-XA010	SNODO ASSIALE AXIAL JOINT		RHT M14x1,5

DESTRO
RIGHT



SINISTRO
LEFT

JUSTY	I (KAD)	1984 > 10/1995
--------------	---------	----------------

Asse Anteriore



Front Axle



OCAP	O.E.			
0283592	7313-20020	TESTA STERZO TIE ROD END		
0403594	7210-67021	SNODO SOSPENSIONE - INFERIORE BALL JOINT - LOWER		
0603593	7313-10140	SNODO ASSIALE AXIAL JOINT		
0783604	7210-60560	BRACCIO OSCILLANTE TRACK CONTROL ARM		
0793604	7210-60570	BRACCIO OSCILLANTE TRACK CONTROL ARM		

DESTRO
RIGHT

 SINISTRO
LEFT

JUSTY

II (JMA,MS)

1995 > 11/2003

Asse Anteriore



Front Axle

0283616

0601926

0601926

0283616

0781949

0791949


0403594

0403594

0501927

0501927-K

0501927


OCAP	O.E.		
0283616	48810-82000	TESTA STERZO TIE ROD END	RHT M12x1,25
0403594	7210-67021	SNODO SOSPENSIONE - INFERIORE BALL JOINT - LOWER	
0501927	46630-60B00	STABILIZZATORE STABILIZER LINK	RHT M8x1,25
0601926	48830-63B10	SNODO ASSIALE AXIAL JOINT	RHT M12x1,25
0781949	45201-60E01	BRACCIO OSCILLANTE TRACK CONTROL ARM	
0791949	45201-60B01	BRACCIO OSCILLANTE TRACK CONTROL ARM	
0501927-K	46630-60B00 *	KIT STABILIZZATORE STABILIZER LINK KIT	RHT M8x1,25

DESTRO
RIGHT



SINISTRO
LEFT

JUSTY	III (G3X)	09/2003 >
--------------	-----------	-----------

Asse Anteriore



Front Axle

0283616



0601847



0601847



0283616



0501927





0501927-K



0501927



OCAP	O.E.		i	
0283616	48810-82000	TESTA STERZO TIE ROD END		RHT M12x1,25
0501927	46630-60B00	STABILIZZATORE STABILIZER LINK		
0601847	48830-86G00	SNODO ASSIALE AXIAL JOINT		RHT M12x1,25
0501927-K	46630-60B00 *	KIT STABILIZZATORE STABILIZER LINK KIT		

DESTRO
RIGHT

 SINISTRO
LEFT

JUSTY	IV	01/2007 >
-------	----	-----------

Asse Anteriore



Front Axle



OCAP	O.E.		
0282449	45046-87707	TESTA STERZO - ESTERNA TIE ROD END - OUTER	RHT M12x1,25
0292449	45047-87706	TESTA STERZO - ESTERNA TIE ROD END - OUTER	RHT M12x1,25
0582457	48821-B1010	STABILIZZATORE STABILIZER LINK	
0592457	48831-B1010	STABILIZZATORE STABILIZER LINK	
0602780	45503-B1020	SNODO ASSIALE AXIAL JOINT	RHT M12x1,25
0782781	48068-B1020	BRACCIO OSCILLANTE TRACK CONTROL ARM	
0792781	48069-B1020	BRACCIO OSCILLANTE TRACK CONTROL ARM	
1216274	48654-B2010	SILENTBLOCK CENTRALE CENTRAL BUSHING	
1216275	48655-B1010	SILENTBLOCK ESTREMO OUTER BUSHING	

DESTRO
RIGHT



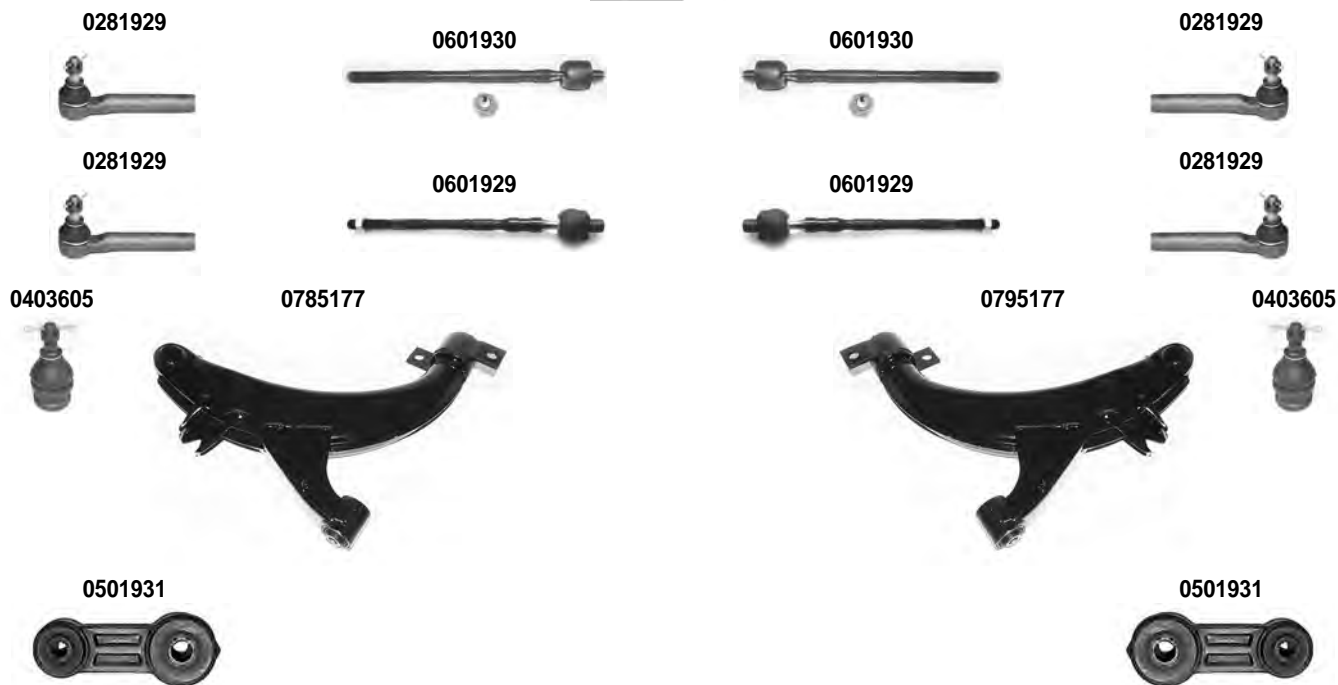
SINISTRO
LEFT

LEGACY III LEGACY IV OUTBACK	BE - BH	10/1998 > 08/2003
	BE - BH	09/2003 > 2015 2000 > 08/2003

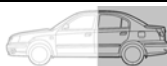
Asse Anteriore



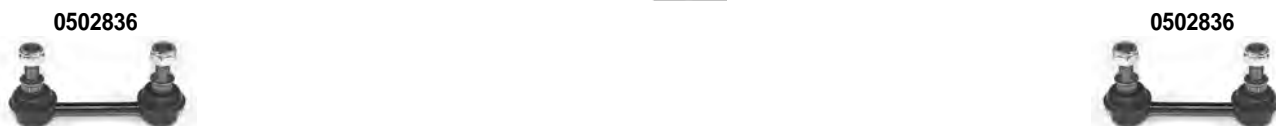
Front Axle



Asse Posteriore



Rear Axle



i 1) ECCElTO - EXCEPT - MOD. LEGACY IV 3) SOLO - ONLY - MOD. LEGACY III	2) SOLO - ONLY - MOD. LEGACY IV 4) ECCElTO - EXCEPT : MOD. OUTBACK
---	---

OCAP	O.E.		i	
0281929	34141-AA041	TESTA STERZO TIE ROD END		RHT M14x1,5
0403605	21067-GA050	SNODO SOSPENSIONE - INFERIORE BALL JOINT - LOWER		
0501931	20420-AA004	STABILIZZATORE STABILIZER LINK		
0502836	20470-AE010	STABILIZZATORE STABILIZER LINK	4)	
0601929	34160-AE001	SNODO ASSIALE AXIAL JOINT	2)	RHT M14x1,5
0601930	34140-FC000	SNODO ASSIALE AXIAL JOINT	1)	RHT M14x1,5
0785177	20200FC120	BRACCIO OSCILLANTE TRACK CONTROL ARM	3)	
0795177	20200FC130	BRACCIO OSCILLANTE TRACK CONTROL ARM	3)	

DESTRO
RIGHT

 SINISTRO
LEFT

IMPREZA III
IMPREZA 2V
LEGACY V

 GR - GH - G3
GP

 01/2008 >
10/2011 >
09/2009 >

Asse Anteriore



Front Axle

0281929

0601929

0601929

0281929

0783605

0793605

0403605

0403605

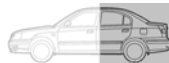
0502835

0504494

0504494

0502835


Asse Posteriore



Rear Axle

0503605

0503605


i 1) SOLO PER - ONLY FOR : IMPREZA			2) SOLO PER - ONLY FOR : LEGACY	
OCAP	O.E.		i	
0281929	34141-AA041	TESTA STERZO TIE ROD END		RHT M14x1,5
0403605	21067-GA050	SNODO SOSPENSIONE - INFERIORE BALL JOINT - LOWER		
0502835	20470-SA000	STABILIZZATORE STABILIZER LINK	1)	
0503605	20470-FG000	STABILIZZATORE STABILIZER LINK		
0504494	20420-AJ000	STABILIZZATORE STABILIZER LINK	2)	
0601929	34160-AE001	SNODO ASSIALE AXIAL JOINT		RHT M14x1,5
0783605	20202-AG181	BRACCIO OSCILLANTE - INFERIORE TRACK CONTROL ARM - LOWER	1)	
0793605	20202-AG191	BRACCIO OSCILLANTE - INFERIORE TRACK CONTROL ARM - LOWER	1)	

DESTRO
RIGHT



SINISTRO
LEFT

LEONE LEONE I	A21 > A67 A	1971 > 1979 1979 > 1984
------------------	----------------	----------------------------

Asse Anteriore



Front Axle

0282510



0282512



0402511



0602514



0402515



0602514



0402515



0282510



0282513



0402511



i 1) > 1979	2) 1979 >
--------------------	-----------

OCAP	O.E.		i	
0282510	6315-10070	TESTA STERZO TIE ROD END	1)	RHT M14x1,5
0282512	7313-20000	TESTA STERZO TIE ROD END	2)	RHT M14x1,5
0282513	7313-20010	TESTA STERZO TIE ROD END	2)	RHT M14x1,5
0402511	6232-20043	SNODO SOSPENSIONE - INFERIORE BALL JOINT - LOWER	1)	
0402515	7210-67003	SNODO SOSPENSIONE - INFERIORE BALL JOINT - LOWER	2)	
0602514	7313-10011	SNODO ASSIALE AXIAL JOINT	2)	RHT M14x1,5

DESTRO
RIGHT

 SINISTRO
LEFT

LEONE II
MV PICKUP 4WD
SHIFTER PICKUP 2WD

A

 1984 > 1992
 1978 >
 1981 >

Asse Anteriore



Front Axle

0283596

0603597

0603597

0293596

0603598

0603598

0603599

0603599

0402515

0402515


i	1) ESCLUSI - EXCEPT : 5B-7B-8D (TURBO)-SEDAN 3M-4M-4S	2) MOD. 5B-7B-8D (TURBO)-SEDAN 3M-4M-4S
	3) STERZO MANUALE - MANUAL STEERING	4) SERVOSTERZO - POWER STEERING
5) SOLO PER - ONLY FOR: LEONE II		

OCAP	O.E.		
0283596	31320-GA101	TESTA STERZO TIE ROD END	5) RHT M14x1,5
0293596	31320-GA111	TESTA STERZO TIE ROD END	5) RHT M14x1,5
0402515	7210-67003	SNODO SOSPENSIONE SUSPENSION JOINT	
0603597	31310-GA170	SNODO ASSIALE AXIAL JOINT	1) 3) 5) RHT M14x1,5
0603598	31310-GA120	SNODO ASSIALE AXIAL JOINT	2) 3) 5) RHT M14x1,5
0603599	31310-GA151	SNODO ASSIALE AXIAL JOINT	4) 5) RHT M14x1,5

DESTRO
RIGHT



SINISTRO
LEFT

OUTBACK OUTBACK OUTBACK	BL-BP BM-BR BS	09/2003 > 09/2009 09/2009 > 10/2014 >
-------------------------------	----------------------	---

Asse Anteriore



Front Axle

0281929



0601929



0601929



0281929



0502835



0403605



0403605



0502835



Asse Posteriore



Rear Axle

0502836



0502836



i 1) SOLO PER - ONLY FOR : MOD. BL-BP > 09/2009

OCAP	O.E.		i	
0281929	34141-AA041	TESTA STERZO TIE ROD END		RHT M14x1,5
0403605	21067-GA050	SNODO SOSPENSIONE - INFERIORE BALL JOINT - LOWER		
0502835	20470-SA000	STABILIZZATORE STABILIZER LINK		
0502836	20470-AE010	STABILIZZATORE STABILIZER LINK	1)	
0601929	34160-AE001	SNODO ASSIALE AXIAL JOINT		RHT M14x1,5

DESTRO
RIGHT

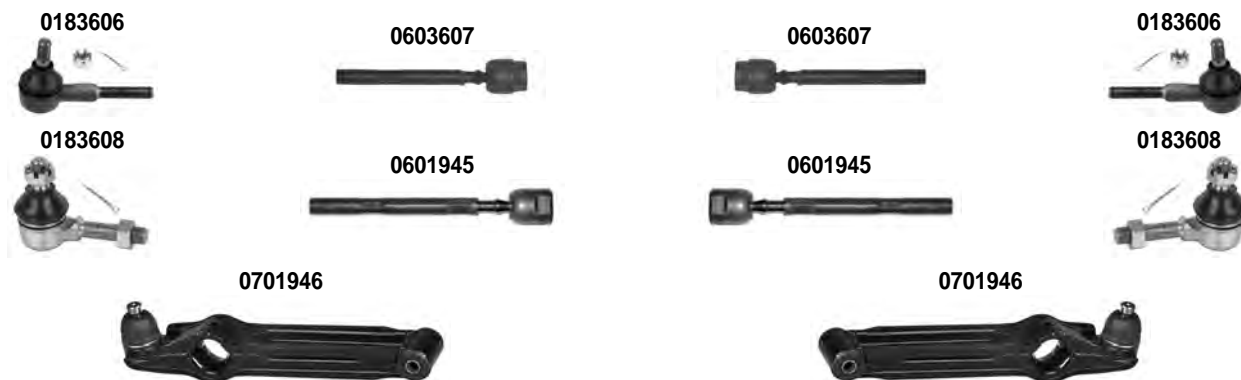
 SINISTRO
LEFT

ALTO I-II ALTO III ALTO IV-V ALTO VI	OS EC EF FF-HA FF	1979 > 1988 1988 > 1994 1988 > 2004 2004 > 2009
---	-------------------------------	--



Asse Anteriore



Front Axle



i 1) SOLO PER - ONLY FOR : MOD. ALTO I

OCAP	O.E.		i	
0183606	48810-78000	TESTA STERZO TIE ROD END	1)	RHT M12x1,25
0183608	48810-84000	TESTA STERZO TIE ROD END		RHT M12x1,25
0601945	48830-M70F00	SNODO ASSIALE AXIAL JOINT		RHT M12x1,25
0603607	48830-78001	SNODO ASSIALE AXIAL JOINT	1)	RHT M12x1,25
0701946	45200-50E00	BRACCIO OSCILLANTE TRACK CONTROL ARM		L = 284 mm.

DESTRO
RIGHT



SINISTRO
LEFT

ALTO VII

GF

01/2009 >

Asse Anteriore

Front Axle



OCAP	O.E.			
0281846	48810-63J00	TESTA STERZO TIE ROD END		RHT M12x1,25
0402688	45201-M68K00 *	SNODO SOSPENSIONE - INFERIORE BALL JOINT - LOWER		
0502688	42420-M68K00	STABILIZZATORE STABILIZER LINK		
0602688	48830-M68K00	SNODO ASSIALE AXIAL JOINT		RHT M12x1,25
0782688	45201-M68K00	BRACCIO OSCILLANTE - INFERIORE TRACK CONTROL ARM - LOWER		
0792688	45202-M68K00	BRACCIO OSCILLANTE - INFERIORE TRACK CONTROL ARM - LOWER		

DESTRO
RIGHT



SINISTRO
LEFT

BALENO

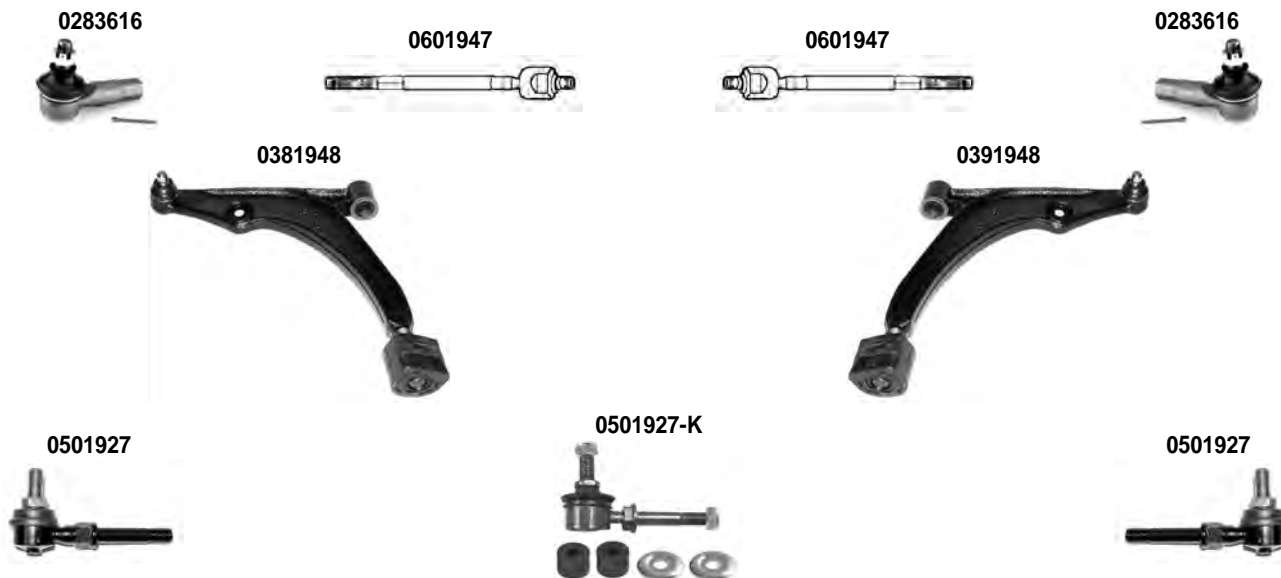
EG

03/1995 > 05/2002

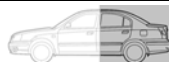
Asse Anteriore



Front Axle



Asse Posteriore



Rear Axle



OCAP	O.E.		i	
0283616	48810-82000	TESTA STERZO TIE ROD END		RHT M12x1,25
0381948	45201-63G01	BRACCIO OSCILLANTE TRACK CONTROL ARM		
0391948	45202-63G01	BRACCIO OSCILLANTE TRACK CONTROL ARM		
0501927	46630-60B00	STABILIZZATORE STABILIZER LINK		
0585179	46630-80F00	STABILIZZATORE STABILIZER LINK		
0595179	46640-80F00	STABILIZZATORE STABILIZER LINK		
0601947	48830-60G00	SNODO ASSIALE AXIAL JOINT		RHT M12x1,25
0501927-K	46630-60B00 *	KIT STABILIZZATORE STABILIZER LINK KIT		

DESTRO
RIGHT



SINISTRO
LEFT

**CARRY
SUPER CARRY**

ST90V
ED (Bus/Autobus)

1980 > 1985
1985 > 1999

Asse Anteriore

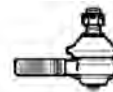


Front Axle

0183611



0193611



0183612



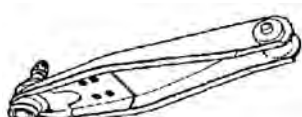
0193612



0403613



0703614



0703614



0403613



0703615



0703615



i 1) > 02/1981 3) SOLO PER - ONLY FOR : MOD. CARRY	2) 03/1981 > 4) SOLO PER - ONLY FOR : MOD. SUPER CARRY
--	---

OCAP	O.E.		i	
0183611	48810-60001	TESTA STERZO TIE ROD END	1)	RHT M14x1,5
0183612	48810-79000	TESTA STERZO TIE ROD END	2)	RHT M14x1,5
0193611	48820-60001	TESTA STERZO TIE ROD END	1)	LHT M14x1,5
0193612	48820-79000	TESTA STERZO TIE ROD END	2)	LHT M14x1,5
0403613	45700-67001	SNODO SOSPENSIONE - INFERIORE BALL JOINT - LOWER	3)	
0703614	45200-79001	BRACCIO OSCILLANTE - INFERIORE TRACK CONTROL ARM - LOWER	3)	
0703615	45200-85001	BRACCIO OSCILLANTE - INFERIORE TRACK CONTROL ARM - LOWER	4)	

DESTRO
RIGHT



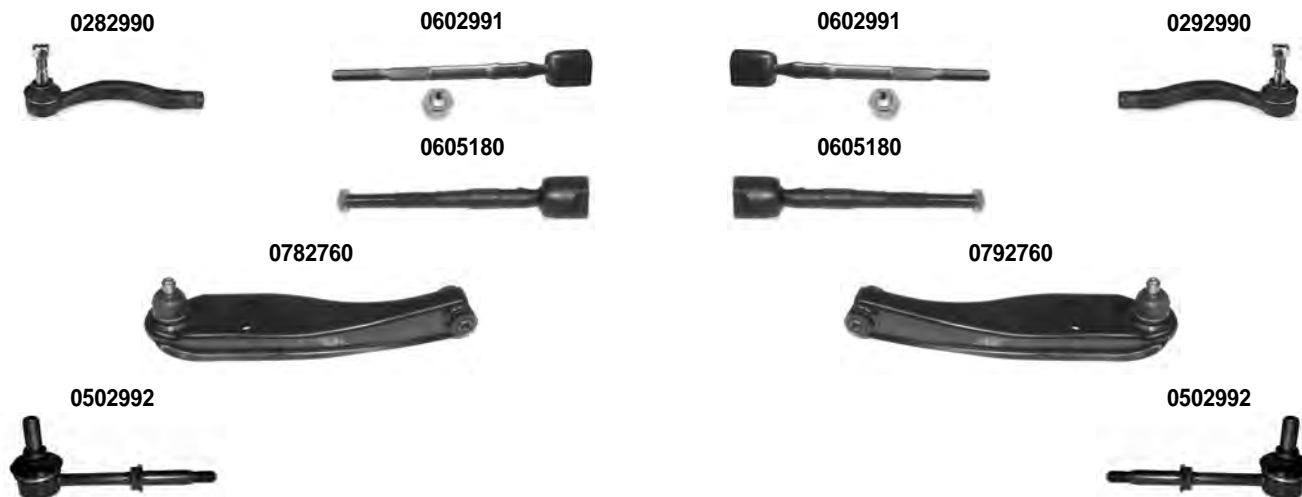
SINISTRO
LEFT

CARRY		1999>
-------	--	-------

Asse Anteriore



Front Axle



OCAP	O.E.		
0282990	48810-78A00	TESTA STERZO TIE ROD END	RHT M12x1,25
0292990	48820-78A00	TESTA STERZO TIE ROD END	RHT M12x1,25
0502992	42420-77A00	STABILIZZATORE STABILIZER LINK	
0602991	48830-77A00	SNODO ASSIALE AXIAL JOINT	RHT M12x1,25 - LHD
0605180	48830-78A00	SNODO ASSIALE AXIAL JOINT	RHT M12x1,25 - RHD
0782760	45201-77A10	BRACCIO OSCILLANTE - INFERIORE TRACK CONTROL ARM - LOWER	
0792760	45202-77A10	BRACCIO OSCILLANTE - INFERIORE TRACK CONTROL ARM - LOWER	

DESTRO
RIGHT



SINISTRO
LEFT

GRAND VITARA

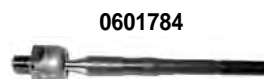
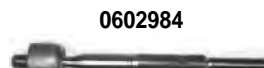
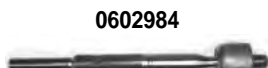
FT - GT

1998 > 03/2005

Asse Anteriore



Front Axle



i 1) SOLO PER - ONLY FOR : MOD. TDI

OCAP	O.E.		i	
0183623	42420-60A00	STABILIZZATORE STABILIZER LINK		
0282986	48810-65D00	TESTA STERZO TIE ROD END		RHT M14x1,5
0292986	48820-65D00	TESTA STERZO TIE ROD END		RHT M14x1,5
0385181	45201-67D01	BRACCIO OSCILLANTE TRACK CONTROL ARM		
0395181	45202-67D01	BRACCIO OSCILLANTE TRACK CONTROL ARM		
0601784	48830-65D00	SNODO ASSIALE AXIAL JOINT	1)	RHT M14x1,5
0602984	48830-67D00	SNODO ASSIALE AXIAL JOINT		RHT M14x1,5
0903623	-	KIT STABILIZZATORE STABILIZER LINK KIT		
0183623-K	42420-60A00 *	KIT STABILIZZATORE STABILIZER LINK KIT		

DESTRO
RIGHT



SINISTRO
LEFT

GRAND VITARA

04/2005 >

Asse Anteriore



Front Axle

0282631



0603126



0603126



0282631



0783142



0793142






0503127



0503127



OCAP	O.E.			
0282631	48810-79J01	TESTA STERZO TIE ROD END		RHT M14X1,5
0503127	42420-65J00	STABILIZZATORE STABILIZER LINK		
0603126	48830-65J00	SNODO ASSIALE AXIAL JOINT		RHT M14X1,5
0783142	45201-78K00	BRACCIO OSCILLANTE TRACK CONTROL ARM		
0793142	45202-78K00	BRACCIO OSCILLANTE TRACK CONTROL ARM		

DESTRO
RIGHT



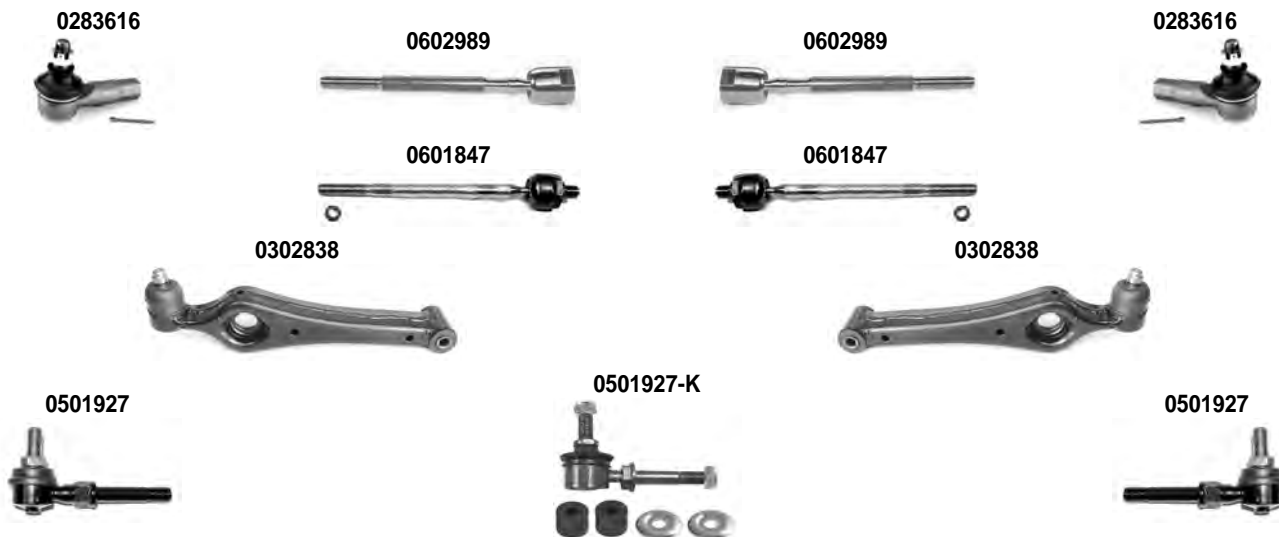
SINISTRO
LEFT

IGNIS IGNIS II	FH	10/2000 > 09/2003 09/2003 >
-------------------	----	--------------------------------

Asse Anteriore



Front Axle



i 1) SOLO PER - ONLY FOR : MOD. IGNIS I	2) SOLO PER - ONLY FOR : MOD. IGNIS II
--	--

OCAP	O.E.		i	
0283616	48810-82000	TESTA STERZO TIE ROD END		RHT M12x1,25
0302838	45200-76G00	BRACCIO OSCILLANTE - INFERIORE TRACK CONTROL ARM - LOWER	1)	
0501927	46630-60B00	STABILIZZATORE STABILIZER LINK	1)	RHT M8x1,25
0601847	48830-86G00	SNODO ASSIALE AXIAL JOINT	2)	RHT M12x1,25
0602989	48830-75F01	SNODO ASSIALE AXIAL JOINT	1)	RHT M12x1,25
0501927-K	46630-60B00 *	KIT STABILIZZATORE STABILIZER LINK KIT	1)	RHT M8x1,25

DESTRO
RIGHT



SINISTRO
LEFT




JIMNY	FJ	1999 >
-------	----	--------

Asse Anteriore



Front Axle



OCAP	O.E.			
0182762	48810-81A00	TESTA STERZO TIE ROD END		RHT M16x1,5
0192762	48820-81A00	TESTA STERZO TIE ROD END		RHT M16x1,5
0303143	45200-81A10	BRACCIO OSCILLANTE TRACK CONTROL ARM		
0502786	42420-81A10	STABILIZZATORE STABILIZER LINK		
0602991	48830-77A00	SNODO ASSIALE AXIAL JOINT		RHT M12x1,25

DESTRO
RIGHT



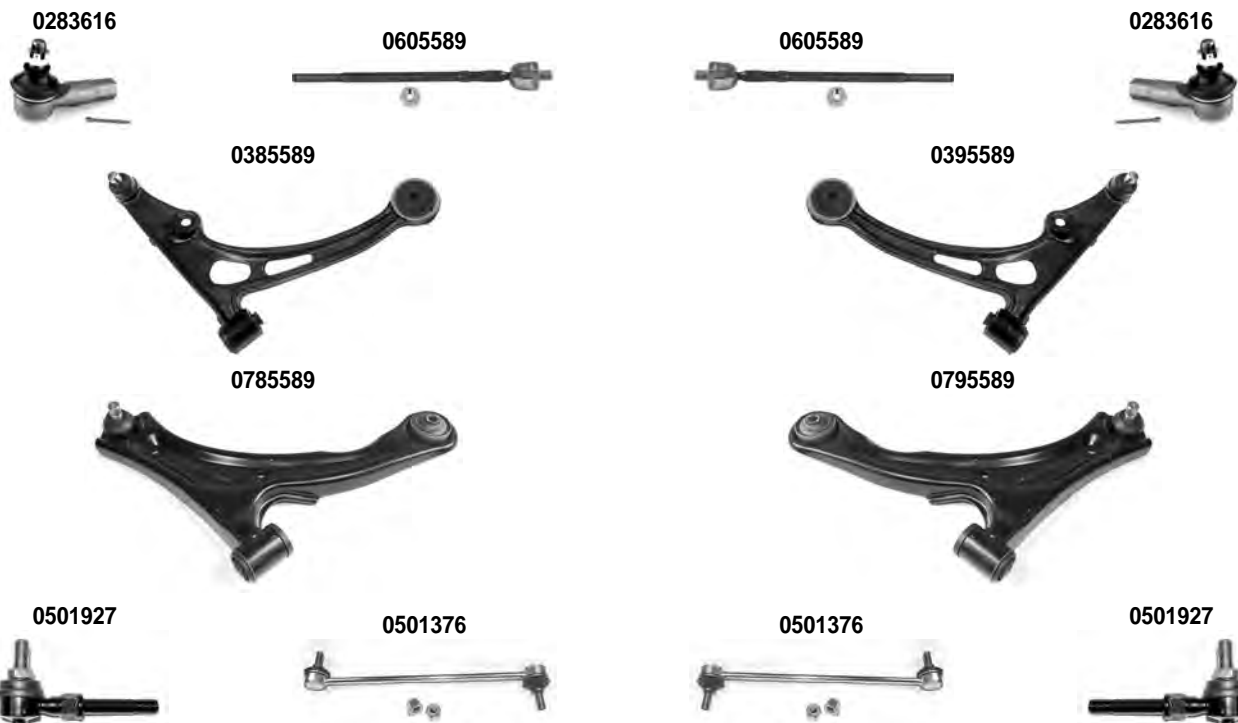
SINISTRO
LEFT

LIANA	ER	07/2001 > 2007
--------------	-----------	--------------------------

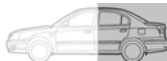
Asse Anteriore



Front Axle



Asse Posteriore



Rear Axle



i 1) > CH. S00200000 3) > 01/2007	2) CH. S00200001 > 4) 02/2007 >
---	--

OCAP	O.E.		i	
0283616	48810-82000	TESTA STERZO TIE ROD END		RHT M12x1,25
0385589	45201-54G01	BRACCIO OSCILLANTE - INFERIORE TRACK CONTROL ARM - LOWER	1)	
0395589	45202-54G01	BRACCIO OSCILLANTE - INFERIORE TRACK CONTROL ARM - LOWER	1)	
0501376	42420-80J00	STABILIZZATORE STABILIZER LINK	4)	
0501927	46630-60B00	STABILIZZATORE STABILIZER LINK	3)	
0505590	46630-59J00	STABILIZZATORE STABILIZER LINK	4)	
0585179	46630-80F00	STABILIZZATORE STABILIZER LINK	3)	
0595179	46640-80F00	STABILIZZATORE STABILIZER LINK	3)	
0605589	48830-54G00	SNODO ASSIALE AXIAL JOINT		RHT M12x1,25
0785589	45201-59J00	BRACCIO OSCILLANTE - INFERIORE TRACK CONTROL ARM - LOWER	2)	
0795589	45202-59J00	BRACCIO OSCILLANTE - INFERIORE TRACK CONTROL ARM - LOWER	2)	

DESTRO
RIGHT



SINISTRO
LEFT

SAMURAI

1988 >

Asse Anteriore



Front Axle

0501781



0501781



0501782



0183620



0183620



OCAP	O.E.			
0183620	48810-60A00	TESTA STERZO TIE ROD END - RHT M16x1,5		RHT M16x1,5
0501781	48900-84C50	BARRA STERZO TIE ROD		
0501782	48800-84C50	BARRA STERZO TIE ROD		

DESTRO
RIGHT



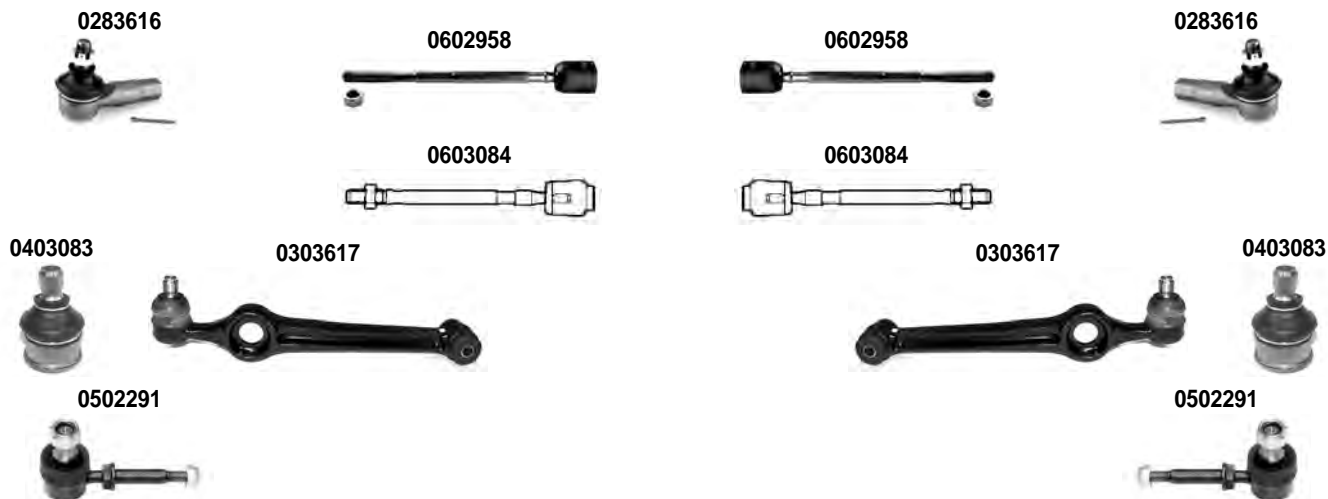
SINISTRO
LEFT

SWIFT I	AA	10/1983 > 12/1989
---------	----	-------------------

Asse Anteriore



Front Axle



i 1) > 1988	2) 1988 >
--------------------	-----------

OCAP	O.E.		i	
0283616	48810-82000	TESTA STERZO TIE ROD END		RHT M12x1,25
0303617	45200-82000	BRACCIO OSCILLANTE - INFERIORE TRACK CONTROL ARM - LOWER		
0403083	45203-70C00	SNODO SOSPENSIONE - INFERIORE BALL JOINT - LOWER		
0502291	46630-60B11	STABILIZZATORE STABILIZER LINK		
0602958	48830-82000	SNODO ASSIALE AXIAL JOINT	1)	RHT M12x1,25
0603084	48830-60B00	SNODO ASSIALE AXIAL JOINT	2)	RHT M12x1,25

DESTRO
RIGHT

 SINISTRO
LEFT

SWIFT II

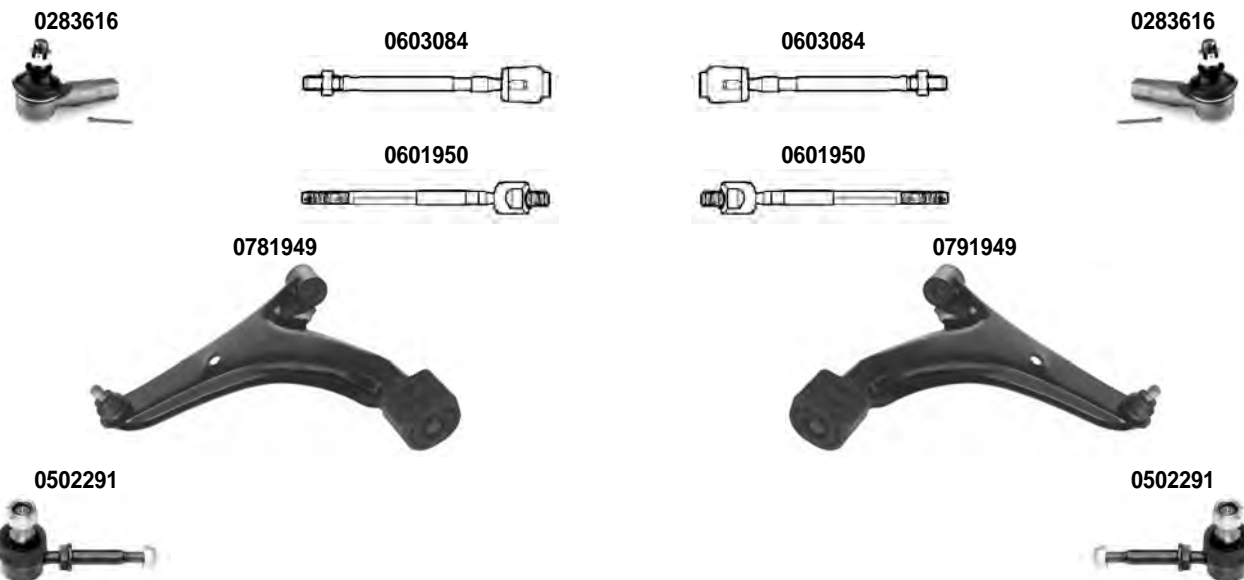
AH, AJ

03/1989 > 05/2001

Asse Anteriore



Front Axle



Asse Posteriore



Rear Axle



1) STERZO MANUALE - MANUAL STEERING			2) SERVOSTERZO - POWER STEERING	
OCAP	O.E.			
0283616	48810-82000	TESTA STERZO TIE ROD END		RHT M12x1,25
0502291	46630-60B11	STABILIZZATORE STABILIZER LINK		
0504495	46630-60B10	STABILIZZATORE STABILIZER LINK		
0601950	48830-50G10	SNODO ASSIALE AXIAL JOINT	2)	RHT M12x1,25
0603084	48830-60B00	SNODO ASSIALE AXIAL JOINT	1)	RHT M12x1,25
0702785	46300-60B00	BRACCIO OSCILLANTE TRACK CONTROL ARM		
0781949	45201-70C00	BRACCIO OSCILLANTE TRACK CONTROL ARM		
0791949	45202-70C00	BRACCIO OSCILLANTE TRACK CONTROL ARM		

DESTRO
RIGHT



SINISTRO
LEFT

SWIFT III
SPLASH

SG

02/2005 >
01/2008 >

Asse Anteriore



Front Axle

0281846



0603138



0603138



0281846



0782659



0792659



0403139



0403139



0503140



0503140



OCAP	O.E.			
0281846	48810-63J00	TESTA STERZO TIE ROD END		RHT M12x1,25
0403139	45201-62J00 *	SNODO SOSPENSIONE BALL JOINT		
0503140	42420-62J00	STABILIZZATORE STABILIZER LINK		
0603138	48830-63J00	SNODO ASSIALE AXIAL JOINT		RHT M12x1,25
0782659	45201-62J00	BRACCIO OSCILLANTE TRACK CONTROL ARM		
0792659	45202-62J00	BRACCIO OSCILLANTE TRACK CONTROL ARM		

DESTRO
RIGHT

 SINISTRO
LEFT

SWIFT IV

FZ - NZ

10/2010 >

Asse Anteriore



Front Axle

0285755

0605755

0605755

0295755

1215818

0785755

0795755

1215818

1215819

0402688

0402688

1215819

0501376

0501376

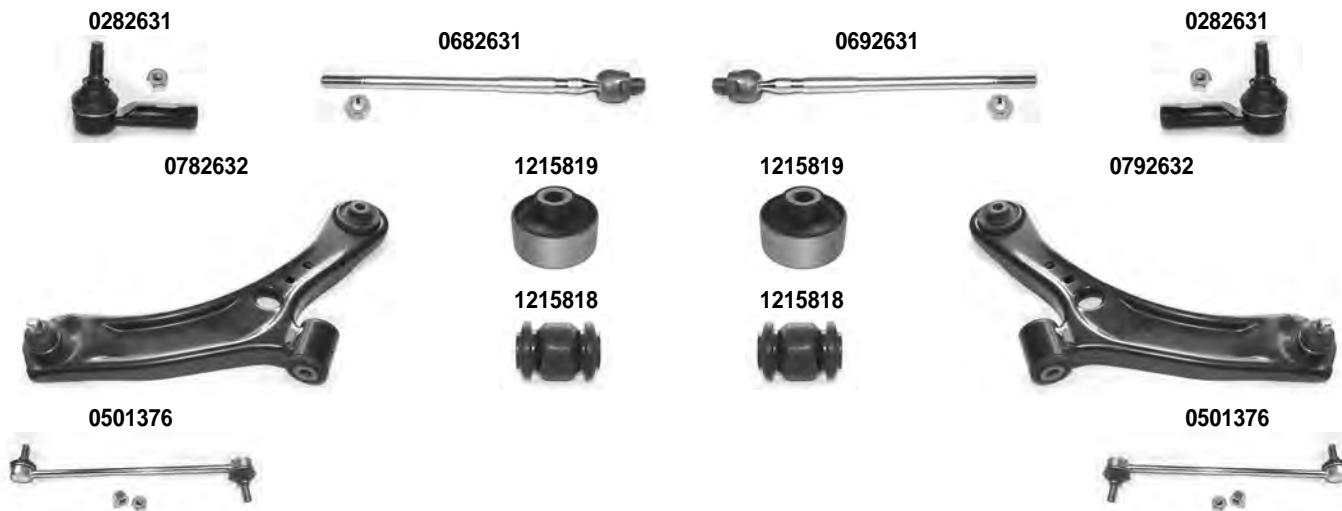

OCAP	O.E.		i	
0285755	48810-68L00	TESTA STERZO TIE ROD END		RHT M14x1,5
0295755	48820-68L00	TESTA STERZO TIE ROD END		RHT M14x1,5
0402688	45201-71L00 *	SNODO SOSPENSIONE BALL JOINT		
0501376	42420-80J00	STABILIZZATORE STABILIZER LINK		
0605755	48830-68L00	SNODO ASSIALE AXIAL JOINT		RHT M14x1,5
0785755	45201-71L00	BRACCIO OSCILLANTE TRACK CONTROL ARM		
0795755	45202-71L00	BRACCIO OSCILLANTE TRACK CONTROL ARM		
1215818	45261-79J00	SILENTBLOCK CENTRALE CENTRAL BUSHING		
1215819	45540-68L00	SILENTBLOCK ESTREMO OUTER BUSHING		



SX4	06/2006 >
-----	-----------

Asse Anteriore

Front Axle



OCAP	O.E.			
0282631	48810-79J01	TESTA STERZO TIE ROD END		RHT M14x1,5
0501376	42420-80J00	STABILIZZATORE STABILIZER LINK		
0682631	48830-79J00	SNODO ASSIALE AXIAL JOINT		RHT M14x1,5
0692631	48830-79J10	SNODO ASSIALE AXIAL JOINT		RHT M14x1,5
0782632	45201-79J00	BRACCIO OSCILLANTE TRACK CONTROL ARM		
0792632	45202-79J00	BRACCIO OSCILLANTE TRACK CONTROL ARM		
1215818	71742733	SILENTBLOCK CENTRALE CENTRAL BUSHING		
1215819	-	SILENTBLOCK ESTREMO OUTER BUSHING		

DESTRO
RIGHT

 SINISTRO
LEFT

VITARA

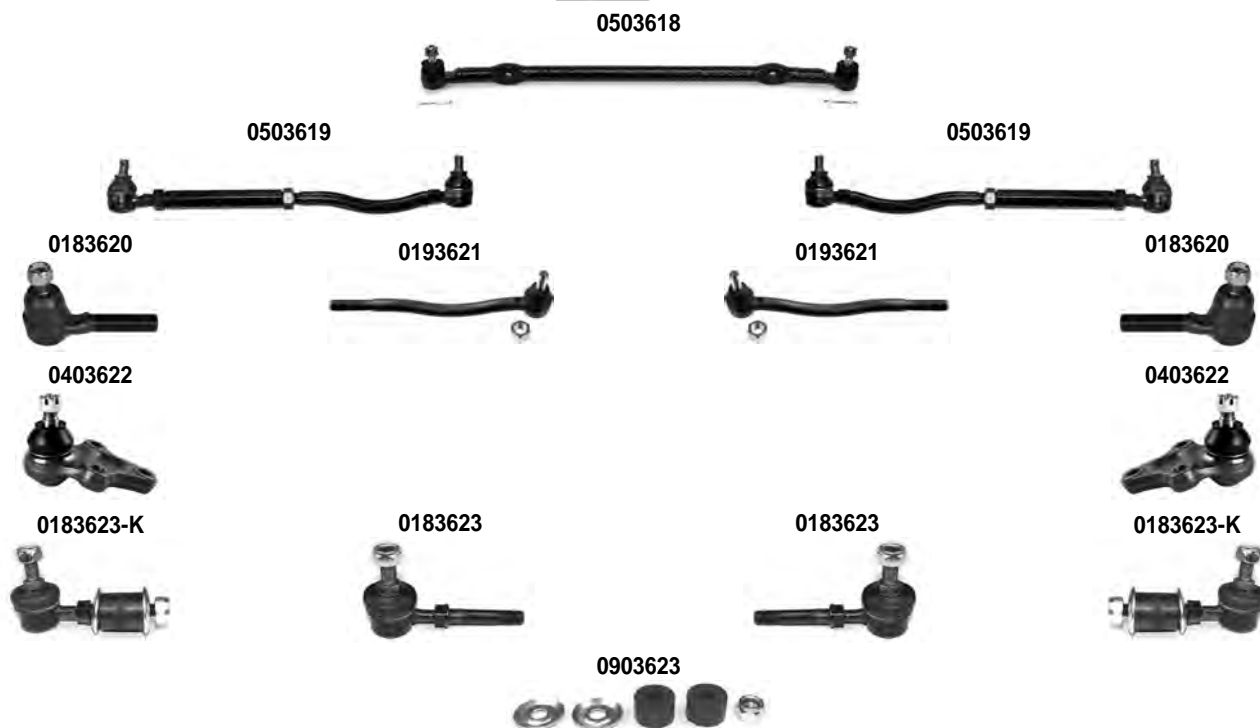
ET-TA

1988 > 2005

Asse Anteriore



Front Axle



OCAP	O.E.		
0183620	48810-60A00	TESTA STERZO ESTERNA TIE ROD END - OUTER	RHT M16x1,5
0183623	42420-60A00	TESTA BARRA STABILIZZATRICE STABILIZER LINK	
0193621	48820-60A00	TESTA STERZO INTERNA TIE ROD END - INNER	LHT M 16x1,5
0403622	45700-60A00	SNODO SOSPENSIONE - INFERIORE BALL JOINT - LOWER	
0503618	48850-60A00	BARRA STERZO TIE ROD	
0503619	48800-60A00	BARRA STERZO TIE ROD	
0903623	-	KIT STABILIZZATORE STABILIZER LINK KIT	
0183623-K	42420-60A00 *	KIT STABILIZZATORE STABILIZER LINK KIT	

DESTRO
RIGHT



SINISTRO
LEFT

VITARA V6

1994 > 1998

Asse Anteriore



Front Axle

0502979



0182980



0192981



0192981



0182980



0183623-K



0183623



0183623



0183623-K



0903623



OCAP	O.E.			
0182980	48810-77E00	TESTA STERZO ESTERNA TIE ROD END - OUTER		RHT M16x1,5
0183623	42420-60A00	STABILIZZATORE STABILIZER LINK		
0192981	48820-77E00	TESTA STERZO INTERNA TIE ROD END - INNER		LHT M 16x1,5
0502979	48850-77E00	BARRA STERZO TIE ROD		
0903623	-	KIT STABILIZZATORE STABILIZER LINK KIT		
0183623-K	42420-60A00 *	KIT STABILIZZATORE STABILIZER LINK KIT		

DESTRO
RIGHT



SINISTRO
LEFT

WAGON R+
WAGON R+

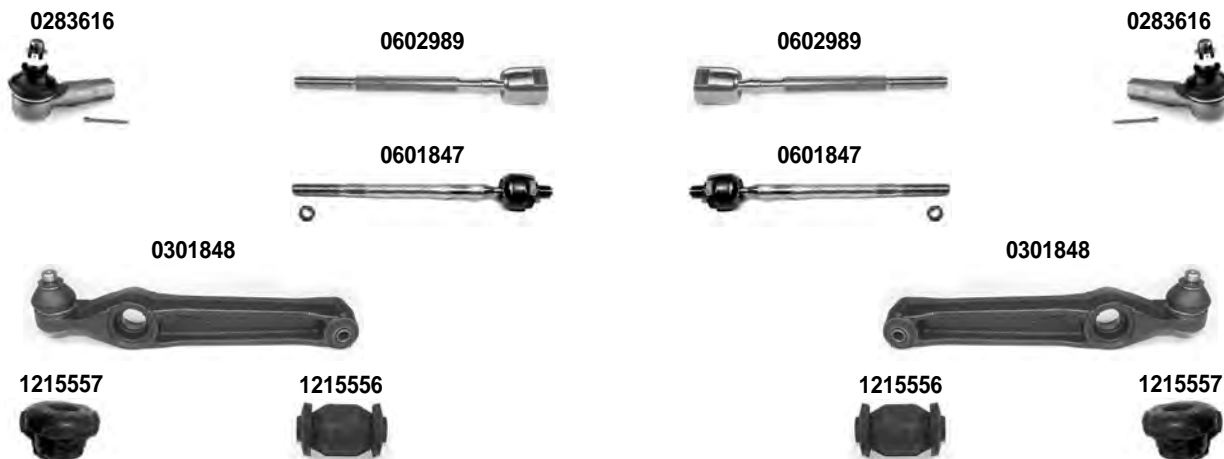
EM
MM

02/1998 > 05/2000
05/2000 >

Asse Anteriore



Front Axle



i 1) SOLO PER - ONLY FOR : SERIE EM - EM SERIES
3) > CH. 140196

2) SOLO PER - ONLY FOR : SERIE MM - MM SERIES

OCAP	O.E.		
0283616	48810-82000	TESTA STERZO TIE ROD END	RHT M12x1,25
0301848	45200-75F20	BRACCIO OSCILLANTE TRACK CONTROL ARM	3) L = 283 mm.
0601847	48830-86G00	SNODO ASSIALE AXIAL JOINT	2) RHT M12x1,25
0602989	48830-75F01	SNODO ASSIALE AXIAL JOINT	1) RHT M12x1,25
1215556	09319-10030	SILENTBLOCK ESTREMO OUTER BUSHING	3)
1215557	42451-76G00	SILENTBLOCK CENTRALE CENTRAL BUSHING	3)

DESTRO
RIGHT



SINISTRO
LEFT

AVENGER
SIMCA SUNBEAM
CRYSLER160-180

1970 > 1982
1977 > 1982
1970 > 1979

Asse Anteriore



Front Axle

0190857



0190857



i 1) SOLO PER - ONLY FOR : MOD CRYSLER160-180

OCAP	O.E.		i	
0190857	42342	TESTA STERZO TIE ROD END	1)	LHT M12x1

DESTRO
RIGHT

 SINISTRO
LEFT

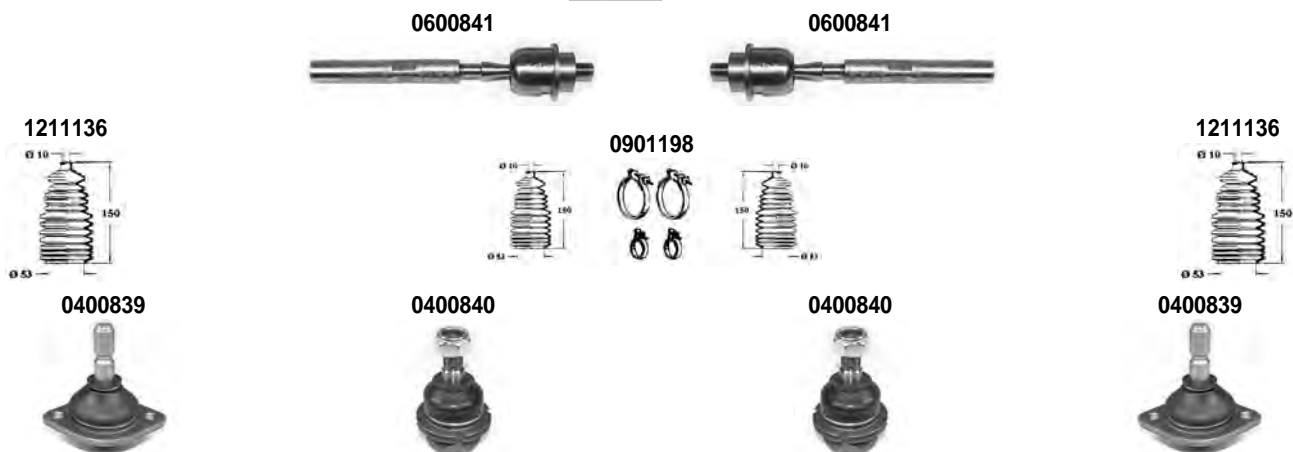
HORIZON

1978 > 1986

Asse Anteriore



Front Axle



OCAP	O.E.			
0400839	32345T	SNODO SOSPENSIONE - SUPERIORE SUSPENSION JOINT - UPPER		
0400840	32364W	SNODO SOSPENSIONE - INFERIORE SUSPENSION JOINT - LOWER		
0600841	40213B	SNODO ASSIALE AXIAL JOINT		LHT M12x1
0901198	163203 *	KIT CUFFIE STERZO STEERING GAITER KIT		
1211136	163203	CUFFIA STERZO STEERING GAITER		

DESTRO
RIGHT



SINISTRO
LEFT

HUNTER - MINX - SCEPTRE - GAZELLE
VOGUE - RAPIER - ALPINE - PAYKAN

1966 > 1979
1966 > 1979

Asse Anteriore



Front Axle

0504040



0194041



0184041



0184041



0194041



0404042



0404043



0404043



0404042



OCAP	O.E.			
0184041	5044971	TESTA STERZO TIE ROD END		RHT 9/16"x18 UNF
0194041	5044972	TESTA STERZO TIE ROD END		LHT 9/16"x18 UNF
0404042	71803699	SNODO SOSPENSIONE - INFERIORE BALL JOINT - LOWER		
0404043	71277312	SNODO SOSPENSIONE SUSPENSION JOINT		
0504040	71243899	BARRA STERZO TIE ROD		

DESTRO
RIGHT

 SINISTRO
LEFT

MATRA-BAGHEERA-RANCHO

1973 >

Asse Anteriore



Front Axle



OCAP	O.E.			
0400839	32345T	SNODO SOSPENSIONE - SUPERIORE SUSPENSION JOINT - UPPER		
0400840	32364W	SNODO SOSPENSIONE - INFERIORE SUSPENSION JOINT - LOWER		
0600841	40213B	SNODO ASSIALE AXIAL JOINT		LHT M12x1

DESTRO
RIGHT



SINISTRO
LEFT

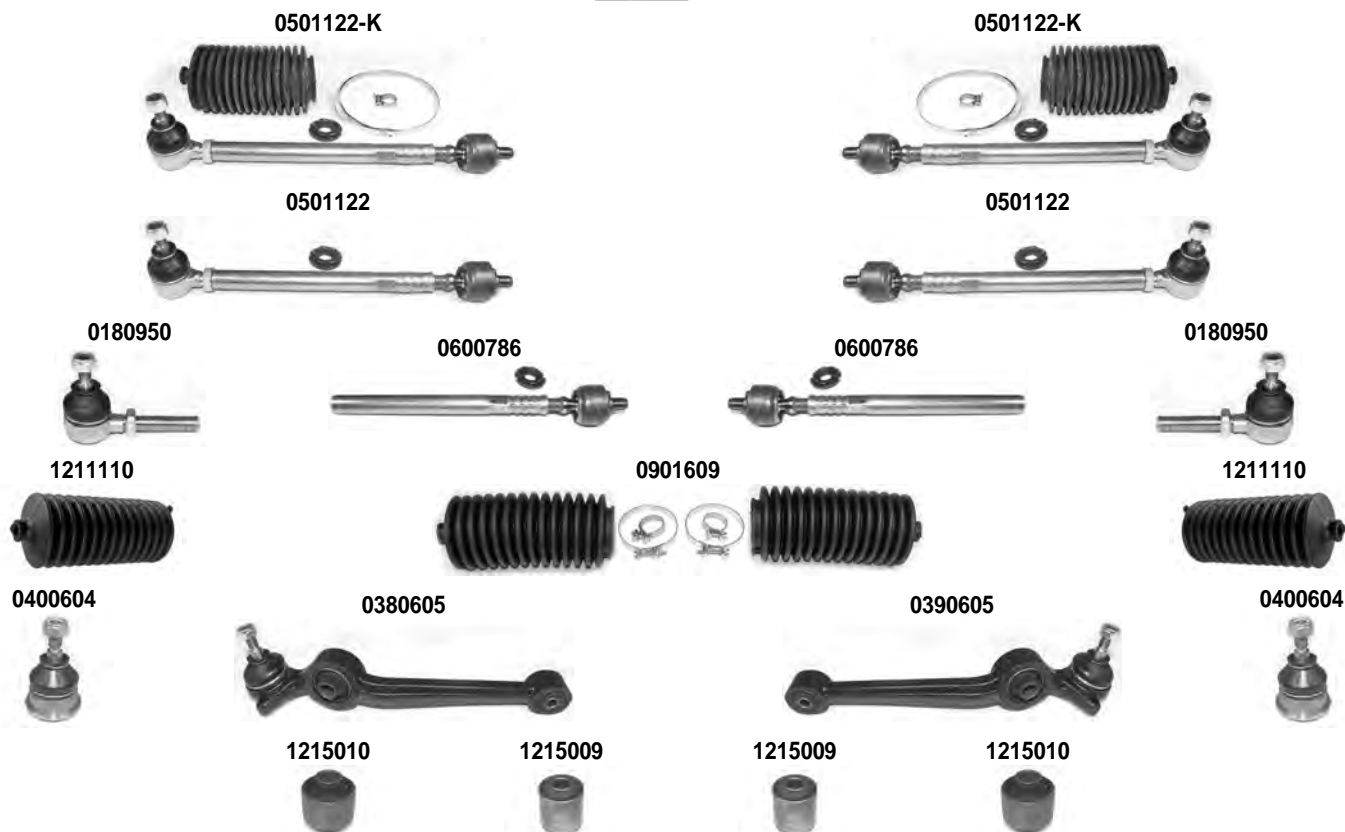
SAMBA

1981 >

Asse Anteriore



Front Axle



OCAP	O.E.			
0180950	381718	TESTA STERZO TIE ROD END		RHT M14x1,5
0380605	7901352124	BRACCIO OSCILLANTE TRACK CONTROL ARM		
0390605	7901352035	BRACCIO OSCILLANTE TRACK CONTROL ARM		
0400604	91504248	SNODO SOSPENSIONE - INFERIORE SUSPENSION JOINT - LOWER		
0501122	381215 *	BARRA STERZO TIE ROD		
0600786	381215 **	SNODO ASSIALE AXIAL JOINT		RHT M14x1,5
0901609	406615 *	KIT CUFFIE STERZO STEERING GAITER KIT		
1211110	406615	CUFFIA STERZO STEERING GAITER		
1215009	352320	SILENTBLOCK ESTREMO OUTER BUSHING		
1215010	352314	SILENTBLOCK CENTRALE CENTRAL BUSHING		
0501122-K	381215	BARRA STERZO CON KIT TIE ROD WITH KIT ASSEMBLY		

DESTRO
RIGHT



SINISTRO
LEFT

SIMCA COUPE' 1200
SIMCA 1000
SIMCA 1000 - 1005 - 1006

1969 >
1963 > 1968
1969 >

Asse Anteriore



Front Axle

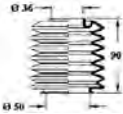
0190834



0190830



1211135



0400832



0400833



0400833



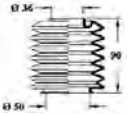
0190834



0190830



1211135



0400832



i 1) SOLO PER - ONLY FOR : MOD. SIMCA COUPE' 1200 2) SOLO PER - ONLY FOR : MOD. SIMCA 1000

OCAP	O.E.		i	
0190830	23643V	TESTA STERZO TIE ROD END	2)	LHT M14x1,5
0190834	34518K	TESTA STERZO TIE ROD END	1) 3)	LHT M12x1
0400832	29732U	SNODO SOSPENSIONE - SUPERIORE SUSPENSION JOINT - UPPER		
0400833	29120T	SNODO SOSPENSIONE - INFERIORE SUSPENSION JOINT - LOWER	2)	
1211135	131331	CUFFIA STERZO STEERING GAITER	2) 3)	

DESTRO
RIGHT



SINISTRO
LEFT

SIMCA 1100	1968 > 1980
------------	-------------

Asse Anteriore

Front Axle



0600841

0600841



1211136



0901198



1211136



0400839



0400840



0400840



0400839



OCAP	O.E.		i	
0400839	0012858600	SNODO SOSPENSIONE - SUPERIORE SUSPENSION JOINT - UPPER		
0400840	0012861400	SNODO SOSPENSIONE - INFERIORE SUSPENSION JOINT - LOWER		
0600841	40213B	SNODO ASSIALE AXIAL JOINT		LHT M12x1
0901198	163203 *	KIT CUFFIE STERZO STEERING GAITER KIT		
1211136	163203	CUFFIA STERZO STEERING GAITER		

DESTRO
RIGHT

 SINISTRO
LEFT

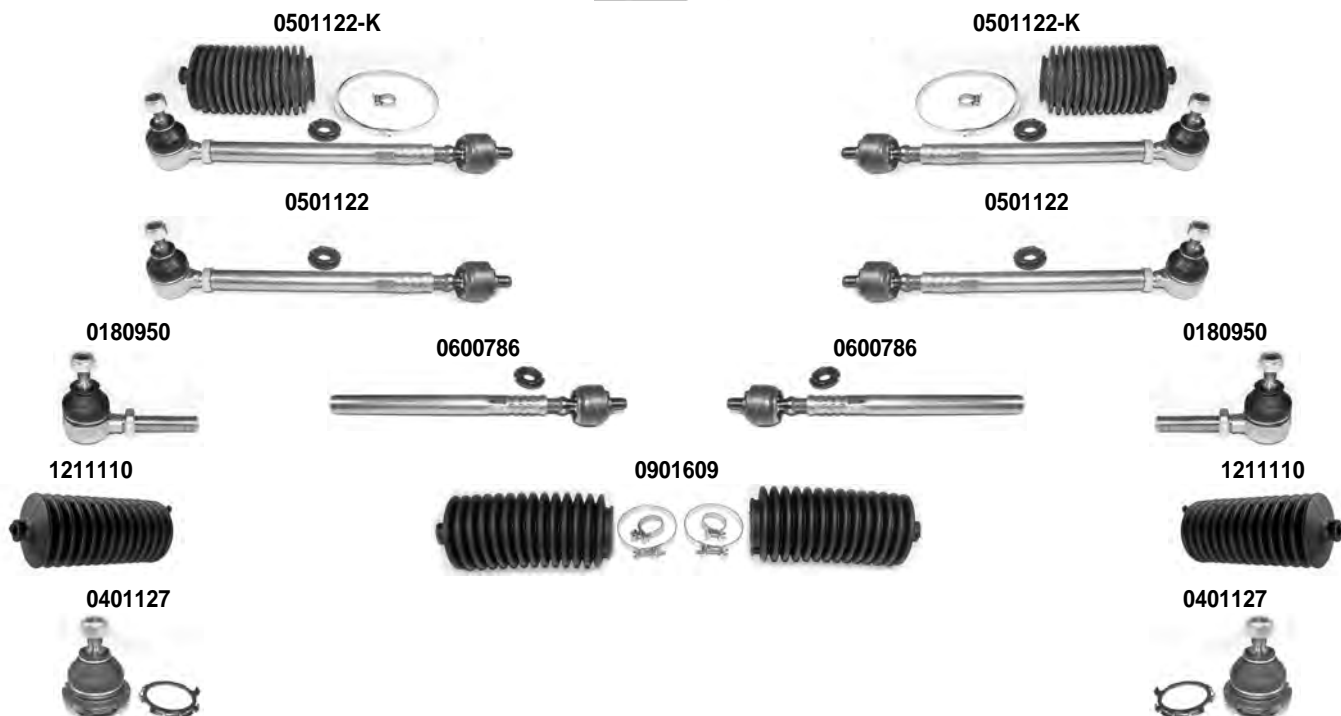
TAGORA

1980 >

Asse Anteriore



Front Axle


i 1) STERZO MANUALE - MANUAL STEERING

OCAP	O.E.		i	
0180950	381718	TESTA STERZO TIE ROD END		RHT M14x1,5
0401127	364027	SNODO SOSPENSIONE - INFERIORE SUSPENSION JOINT - LOWER		
0501122	381215 *	BARRA STERZO TIE ROD		
0600786	381215 **	SNODO ASSIALE AXIAL JOINT		RHT M14x1,5
0901609	406615 *	KIT CUFFIE STERZO STEERING GAITER KIT		
1211110	406615	CUFFIA STERZO STEERING GAITER	1)	
0501122-K	381215	BARRA STERZO CON KIT TIE ROD WITH KIT ASSEMBLY		

1300 - 1500

DESTRO
RIGHT



SINISTRO
LEFT

1300 - 1500
1301 - 1501

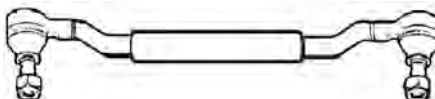
1963 >
1966 >

Asse Anteriore



Front Axle

0500846



0180847



0190847



0190847



0180847



OCAP	O.E.			
0180847	25088P	TESTA STERZO TIE ROD END		RHT M14x1,5
0190847	25103K	TESTA STERZO TIE ROD END		LHT M14x1,5
0500846	25084B	BARRA STERO TIE ROD		

DESTRO
RIGHT

 SINISTRO
LEFT

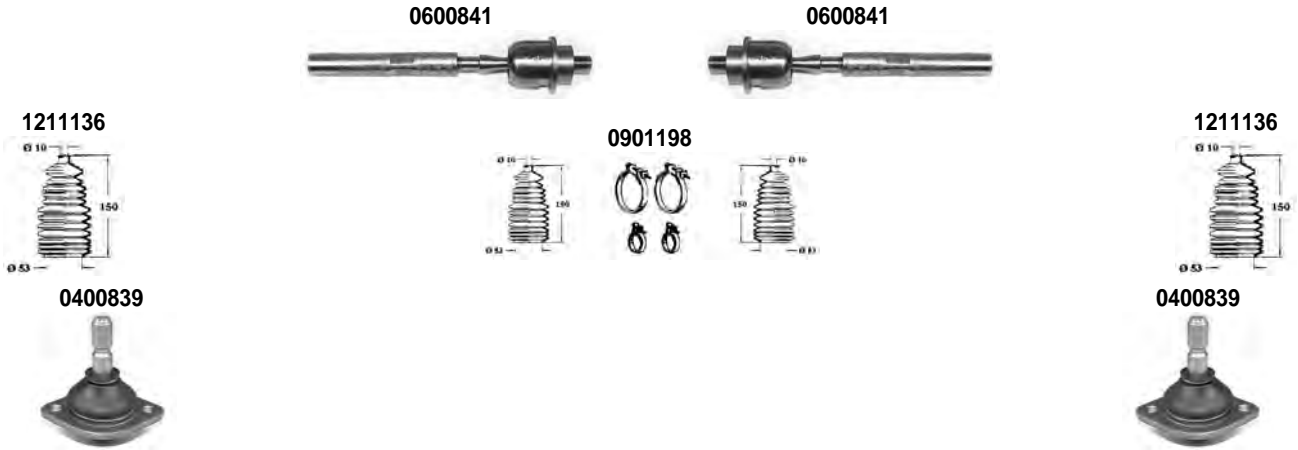
 1307 - 1308 - 1510
SOLARA

 1975 >
1979 >

Asse Anteriore



Front Axle



OCAP	O.E.			
0400839	32345T	SNODO SOSPENSIONE - SUPERIORE SUSPENSION JOINT - UPPER		
0600841	40213B	SNODO ASSIALE AXIAL JOINT		LHT M12x1
0901198	163203 *	KIT CUFFIE STERZO STEERING GAITER KIT		
1211136	163203	CUFFIA STERZO STEERING GAITER		

DESTRO
RIGHT



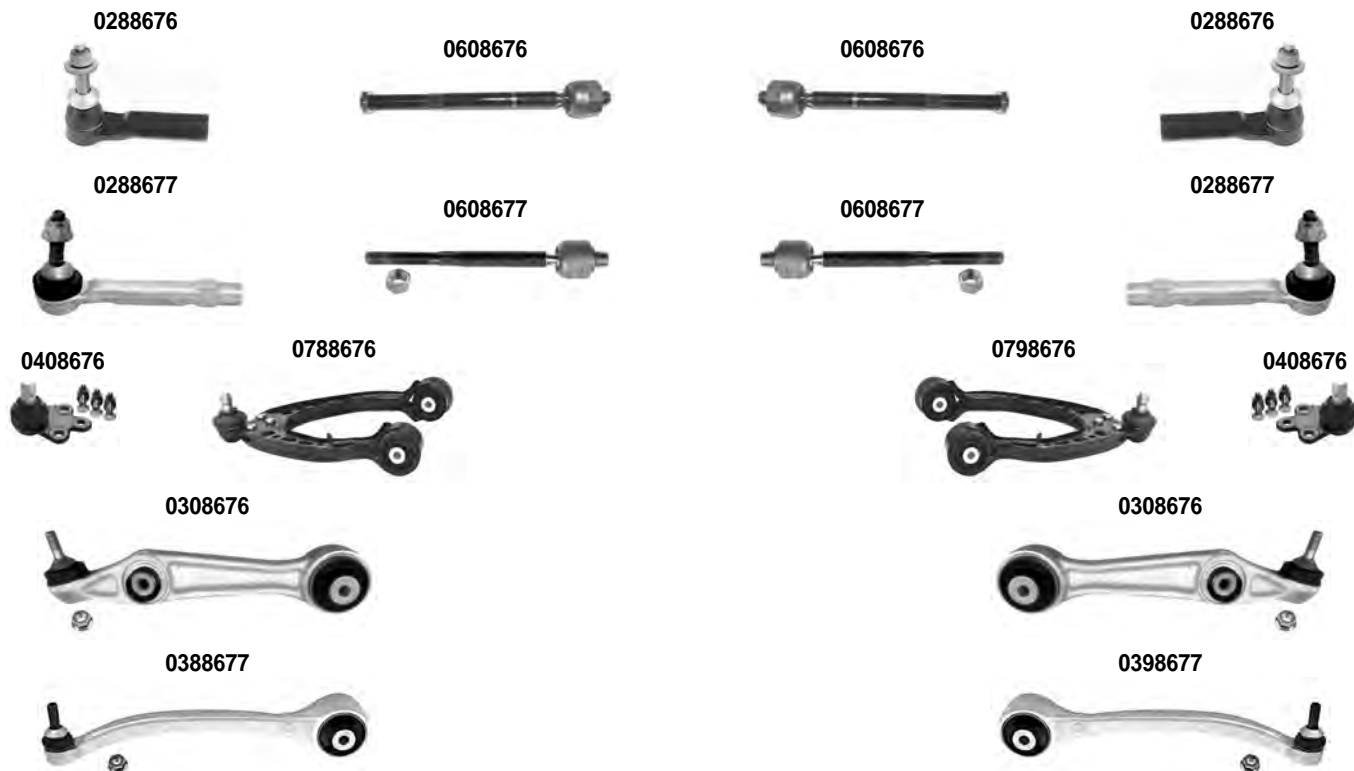
SINISTRO
LEFT

MODEL S	5YJS	09/2012 >
---------	------	-----------

Asse Anteriore



Front Axle



i 1) > 2016	2) 2016 >
--------------------	-----------

OCAP	O.E.		i	
0288676	600707100A	TESTA STERZO TIE ROD END	1)	RHT M18x1,5 L=130,5 mm.
0288677	1027841-00-B	TESTA STERZO TIE ROD END	2)	RHT M14x1,5 L=195 mm.
0308676	1027351-00-C	BRACCIO OSCILLANTE - ALLUMINIO - INFERIORE TRACK CONTROL ARM - ALUMINIUM - LOWER		
0388677	1041575-00-B	BRACCIO OSCILLANTE - ALLUMINIO - INFERIORE TRACK CONTROL ARM - ALUMINIUM - LOWER		
0398677	1041570-00-B	BRACCIO OSCILLANTE - ALLUMINIO - INFERIORE TRACK CONTROL ARM - ALUMINIUM - LOWER		
0408676	104396600A *	SNODO SOSPENSIONE - SUPERIORE SUSPENSION JOINT - UPPER		
0608676	600697200A *	SNODO ASSIALE AXIAL JOINT	1)	RHT M18x1,5 L=298 mm.
0608677	104474100E *	SNODO ASSIALE AXIAL JOINT	2)	RHT M14x1,5 L=247 mm.
0788676	1043966-00-A	BRACCIO OSCILLANTE - SUPERIORE - LAMIERA TRACK CONTROL ARM - UPPER - SHEET METAL		
0798676	1043965-00-A	BRACCIO OSCILLANTE - SUPERIORE - LAMIERA TRACK CONTROL ARM - UPPER - SHEET METAL		

DESTRO
RIGHT



SINISTRO
LEFT

MODEL S	5YJS	09/2012 >
---------	------	-----------

Asse Anteriore



Front Axle

0508676



0588677



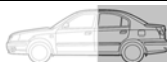
0598677



0508676



Asse Posteriore



Rear Axle

0508678



0508678



OCAP	O.E.			
0508676	1030603-00-B	STABILIZZATORE STABILIZER LINK		L=209 mm.
0508678	6007100-00-A	STABILIZZATORE STABILIZER LINK		
0588677	6008915-00-A	STABILIZZATORE STABILIZER LINK		
0598677	6007098-00-A	STABILIZZATORE STABILIZER LINK		

DESTRO
RIGHT



SINISTRO
LEFT

MODEL X	5YJX	09/2015 >
---------	------	-----------

Asse Anteriore



Front Axle



OCAP	O.E.			
0288677	1027841-00-B	TESTA STERZO TIE ROD END		RHT M14x1,5 L=195 mm.
0308676	1027351-00-C	BRACCIO OSCILLANTE - ALLUMINIO - INFERIORE TRACK CONTROL ARM - ALUMINIUM - LOWER		
0388677	1041575-00-B	BRACCIO OSCILLANTE - ALLUMINIO - INFERIORE TRACK CONTROL ARM - ALUMINIUM - LOWER		
0398677	1041570-00-B	BRACCIO OSCILLANTE - ALLUMINIO - INFERIORE TRACK CONTROL ARM - ALUMINIUM - LOWER		
0608677	104474100E *	SNODO ASSIALE AXIAL JOINT		RHT M14x1,5 L=247 mm.

DESTRO
RIGHT



SINISTRO
LEFT

4 RUNNER

N130

1987 > 1996

Asse Anteriore



Front Axle

0193759



0183762



0183762



0193759



0303763



0303764





0403766



0403766



OCAP	O.E.		
0183762	45406-39175	TESTA STERZO INTERNA TIE ROD END INNER	RHT M17x1,5
0193759	45046-39175	TESTA STERZO ESTERNA TIE ROD END OUTER	LHT M17x1,5
0303763	45490-39245	BRACCIO STERZO IDLER ARM	
0303764	45401-35190	LEVA STERZO PITMAN ARM	
0403766	43340-39235	SNODO SOSPENSIONE - INFERIORE SUSPENSION JOINT - LOWER	

DESTRO
RIGHT



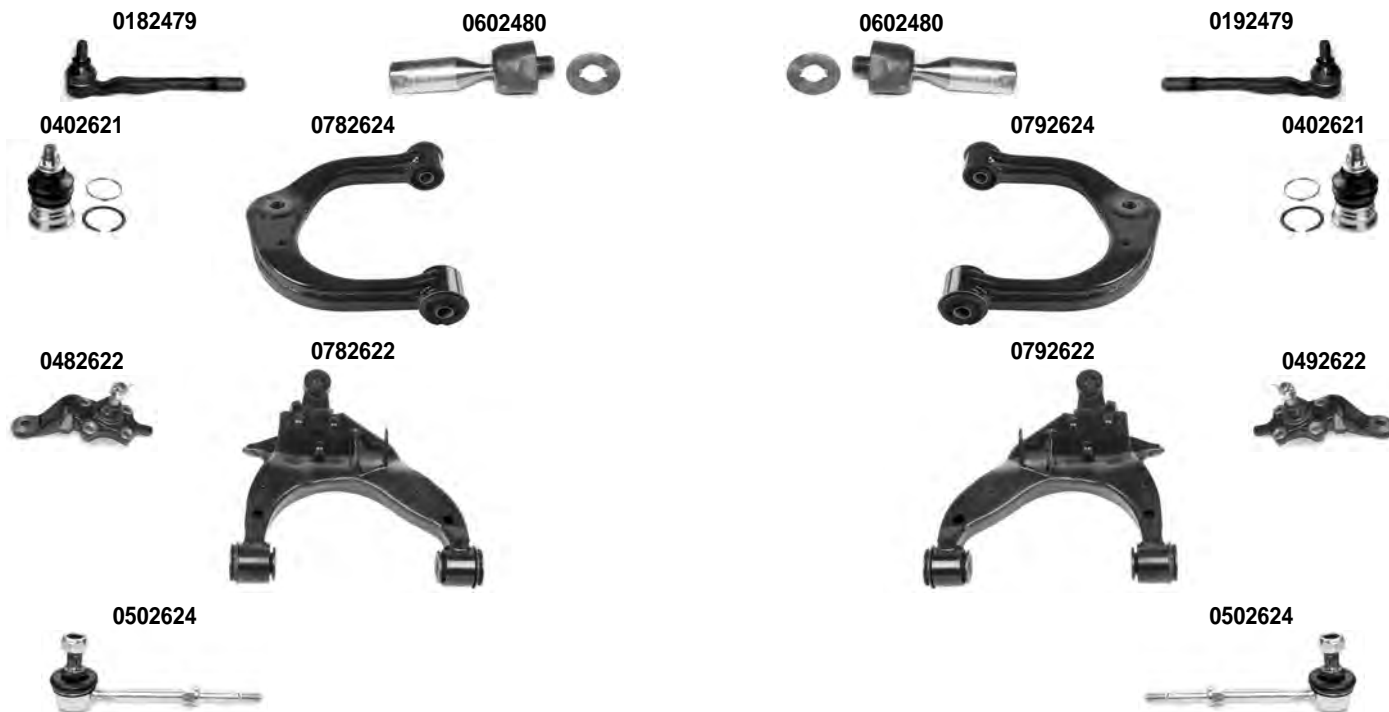
SINISTRO
LEFT

4 RUNNER

1995 >

Asse Anteriore

Front Axle



OCAP	O.E.		
0182479	45046-39335	TESTA STERZO TIE ROD END	RHT M20x1,5
0192479	45047-39215	TESTA STERZO TIE ROD END	RHT M20x1,5
0402621	43310-39016	SNODO SOSPENSIONE - SUPERIORE BALL JOINT - UPPER	
0482622	43330-39415	SNODO SOSPENSIONE - INFERIORE BALL JOINT - LOWER	
0492622	43340-39325	SNODO SOSPENSIONE - INFERIORE BALL JOINT - LOWER	
0502623	48820-35030	STABILIZZATORE STABILIZER LINK	
0502624	48830-35020	STABILIZZATORE STABILIZER LINK	
0602480	45503-39075	SNODO ASSIALE AXIAL JOINT	RHT M20x1,5
0782622	48068-35080	BRACCIO OSCILLANTE - INFERIORE TRACK CONTROL ARM - LOWER	
0782624	48610-32040	BRACCIO OSCILLANTE - SUPERIORE TRACK CONTROL ARM - UPPER	
0792622	48069-35080	BRACCIO OSCILLANTE - INFERIORE TRACK CONTROL ARM - LOWER	
0792624	48630-35020	BRACCIO OSCILLANTE - SUPERIORE TRACK CONTROL ARM - UPPER	

DESTRO
RIGHT



SINISTRO
LEFT

AURIS
AURIS

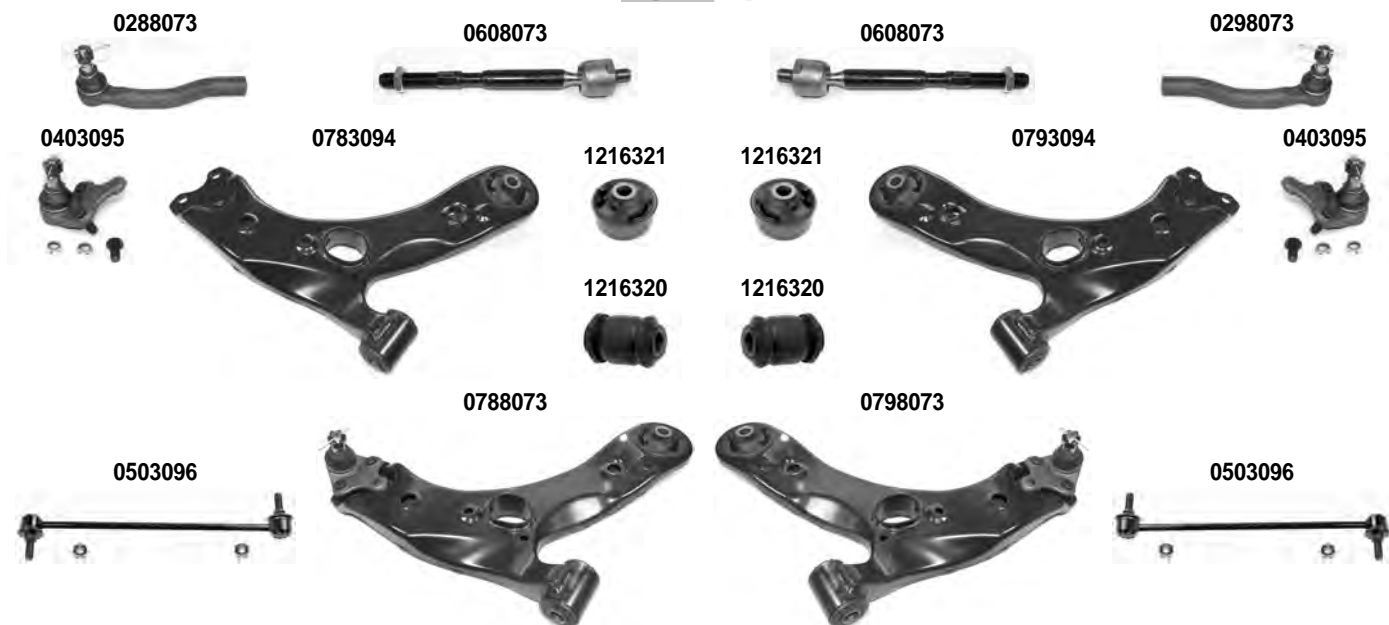
E15
E18

03/2007 > 2012
10/2012 >

Asse Anteriore



Front Axle



Asse Posteriore



Rear Axle



OCAP	O.E.		
0288073	45046-19415	TESTA STERZO TIE ROD END	RHT M15x1,5
0298073	45047-19205	TESTA STERZO TIE ROD END	RHT M15x1,5
0403095	43330-49095	SNODO SOSPENSIONE - INFERIORE BALL JOINT - LOWER	
0503096	48820-02070	STABILIZZATORE STABILIZER LINK	
0503104	48830-05030	STABILIZZATORE STABILIZER LINK	
0608073	45046-19415 *	SNODO ASSIALE AXIAL JOINT	RHT M15x1,5
0783094	48068-02130	BRACCIO OSCILLANTE - INFERIORE TRACK CONTROL ARM - LOWER	
0788073	48068-12300	BRACCIO OSCILLANTE - INFERIORE - COMPLETO TRACK CONTROL ARM - LOWER - COMPLETE	
0793094	48069-02130	BRACCIO OSCILLANTE - INFERIORE TRACK CONTROL ARM - LOWER	
0798073	48069-12300	BRACCIO OSCILLANTE - INFERIORE - COMPLETO TRACK CONTROL ARM - LOWER - COMPLETE	
1216320	48654-02040	SILENTBLOCK CENTRALE BUSHING CENTRAL	
1216321	48655-02060	SILENTBLOCK ESTREMO BUSHING OUTER	

DESTRO
RIGHT



SINISTRO
LEFT

AVENSIS I

AT22-CT220-ST220

09/1997 > 02/2003

Asse Anteriore



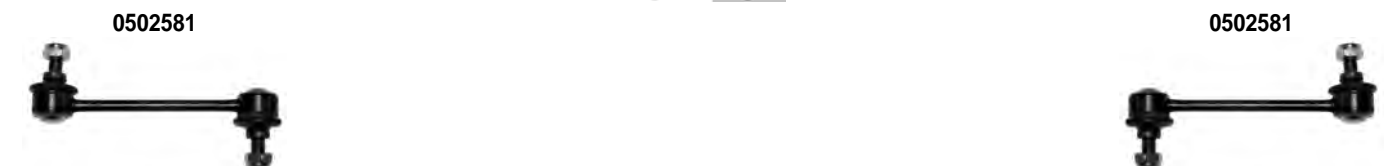
Front Axle



Asse Posteriore



Rear Axle



OCAP	O.E.			
0282998	45046-09100	TESTA STERZO TIE ROD END		RHT M14x1,5
0292998	45047-09030	TESTA STERZO TIE ROD END		RHT M14x1,5
0403671	43330-29265	SNODO SOSPENSIONE - INFERIORE BALL JOINT - LOWER		
0502581	48830-05020	STABILIZZATORE STABILIZER LINK		
0505185	48650-20020	STABILIZZATORE STABILIZER LINK		
0581922	48820-05012	STABILIZZATORE STABILIZER LINK		
0591922	48810-05012	STABILIZZATORE STABILIZER LINK		
0602999	45503-05020	SNODO ASSIALE AXIAL JOINT		RHT M14x1,5
0784418	48068-05050	BRACCIO OSCILLANTE - INFERIORE TRACK CONTROL ARM - LOWER		
0794418	48069-05050	BRACCIO OSCILLANTE - INFERIORE TRACK CONTROL ARM - LOWER		

DESTRO
RIGHT

 SINISTRO
LEFT

AVENSIS II

T25

04/2003 >

Asse Anteriore



Front Axle

0282584

0603122

0603122

0282584

0282585

0282585

0782590

0792590

0402590

0402590

0502591

0502591


Asse Posteriore



Rear Axle

0582592

0592592


i 1) SOLO PER - ONLY FOR : MOD. 1.6 - 1.8 2) SOLO PER - ONLY FOR : MOD. 2.0 - 2.2 - 2.4

OCAP	O.E.		
0282584	45046-09230	TESTA STERZO TIE ROD END	1)
0282585	45046-29425	TESTA STERZO TIE ROD END	2)
0402590	43330-09210	SNODO SOSPENSIONE - INFERIORE BALL JOINT - LOWER	
0502591	48820-47010	STABILIZZATORE STABILIZER LINK	
0582592	48830-21020	STABILIZZATORE STABILIZER LINK	
0592592	48840-21010	STABILIZZATORE STABILIZER LINK	
0603122	45503-20170	SNODO ASSIALE AXIAL JOINT	RHT M16x1,5
0782590	48068-05070	BRACCIO OSCILLANTE - INFERIORE TRACK CONTROL ARM - LOWER	
0792590	48069-05070	BRACCIO OSCILLANTE - INFERIORE TRACK CONTROL ARM - LOWER	

DESTRO
RIGHT



SINISTRO
LEFT

AVENSIS III

T27

02/2009 >

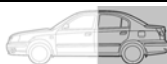
Asse Anteriore



Front Axle



Asse Posteriore



Rear Axle



OCAP	O.E.			
0283096	45046-09660	TESTA STERZO TIE ROD END		RHT M16x1,5
0293096	45047-09320	TESTA STERZO TIE ROD END		RHT M16x1,5
0403096	43330-09770	SNODO SOSPENSIONE - INFERIORE BALL JOINT - LOWER		
0503096	48820-02070	STABILIZZATORE STABILIZER LINK		
0503104	48830-05030	STABILIZZATORE STABILIZER LINK		
0783094	48068-02130	BRACCIO OSCILLANTE - INFERIORE TRACK CONTROL ARM - LOWER		
0793094	48069-02130	BRACCIO OSCILLANTE - INFERIORE TRACK CONTROL ARM - LOWER		
1216320	48654-02040	SILENTBLOCK CENTRALE BUSHING CENTRAL		
1216321	48655-02060	SILENTBLOCK ESTREMO BUSHING OUTER		

DESTRO
RIGHT

 SINISTRO
LEFT

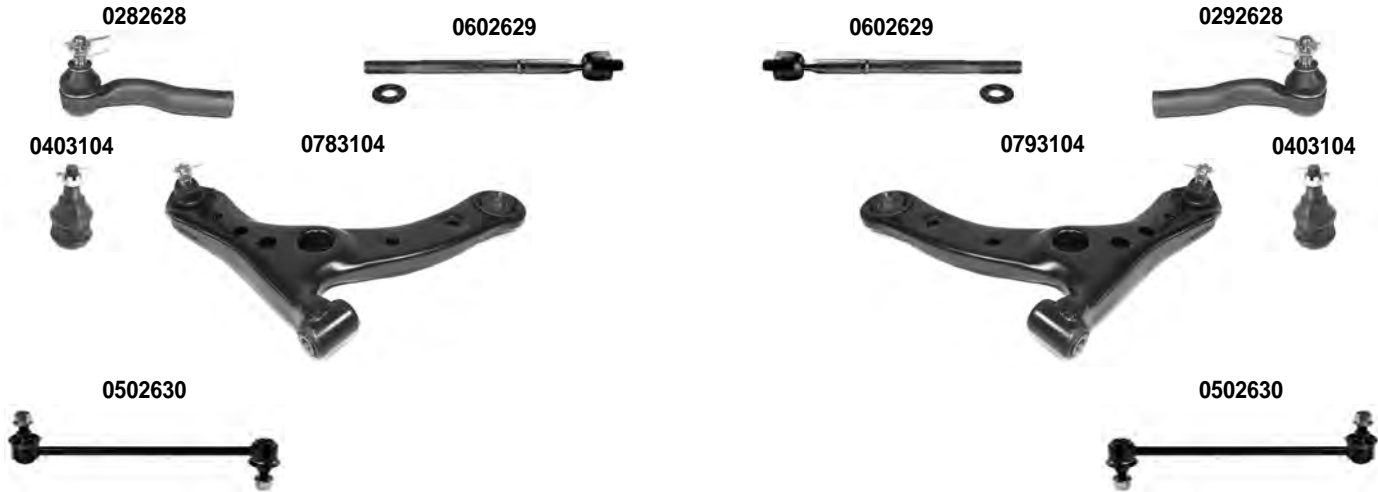
AVENSIS VERSO

08/2001 >

Asse Anteriore



Front Axle



OCAP	O.E.			
0282628	45046-49125	TESTA STERZO TIE ROD END		
0292628	45047-49055	TESTA STERZO TIE ROD END		
0403104	48068-49045 *	SNODO SOSPENSIONE - INFERIORE BALL JOINT - LOWER		
0502630	48820-44020	STABILIZZATORE STABILIZER LINK		
0602629	45503-49105	SNODO ASSIALE AXIAL JOINT		
0783104	48068-49045	BRACCIO OSCILLANTE - INFERIORE TRACK CONTROL ARM - LOWER		
0793104	48069-49045	BRACCIO OSCILLANTE - INFERIORE TRACK CONTROL ARM - LOWER		

DESTRO
RIGHT



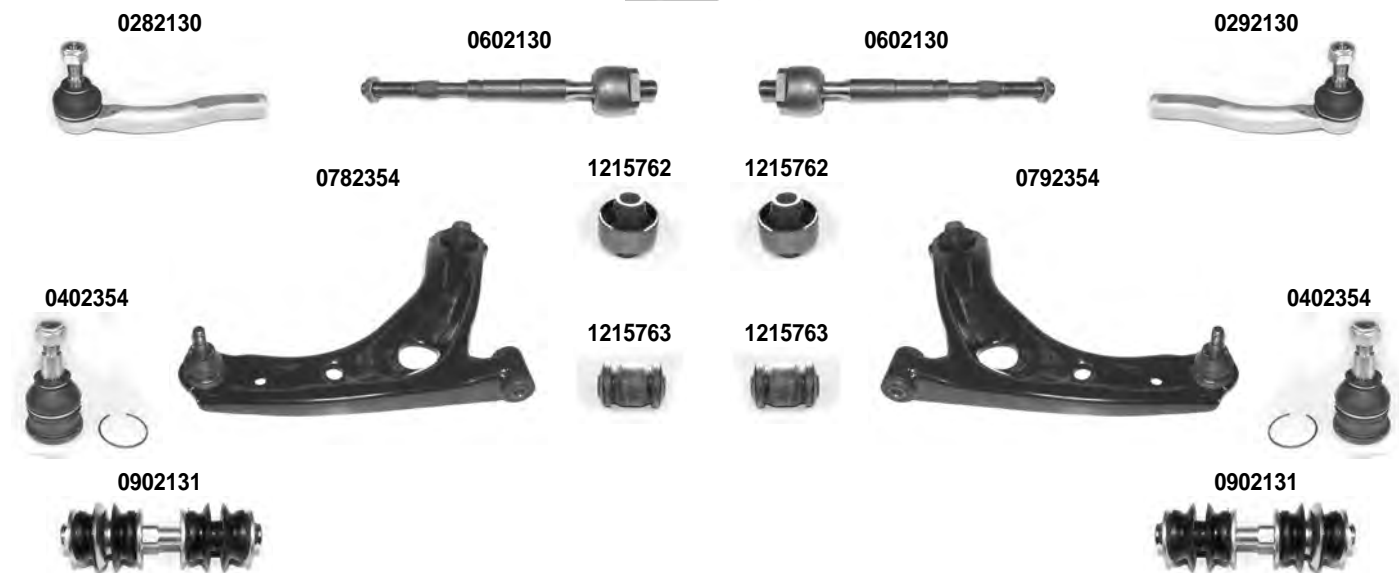
SINISTRO
LEFT

AYGO	WNB1-KGB1	07/2005 > 2014
------	-----------	----------------

Asse Anteriore



Front Axle



OCAP	O.E.			
0282130	45046-09295	TESTA STERZO TIE ROD END		RHT M12x1,25
0292130	45047-09125	TESTA STERZO TIE ROD END		RHT M12x1,25
0402354	48068-09040 *	SNODO SOSPENSIONE BALL JOINT		
0602130	45500-0H010	SNODO ASSIALE AXIAL JOINT		RHT M12x1,25
0782354	48068-0H010	BRACCIO OSCILLANTE TRACK CONTROL ARM		
0792354	48069-0H010	BRACCIO OSCILLANTE TRACK CONTROL ARM		
0902131	48819-70010	STABILIZZATORE STABILIZER LINK		
1215762	-	SILENTBLOCK ESTREMO OUTER BUSHING		
1215763	-	SILENTBLOCK CENTRALE CENTRAL BUSHING		

DESTRO
RIGHT

 SINISTRO
LEFT

AYGO

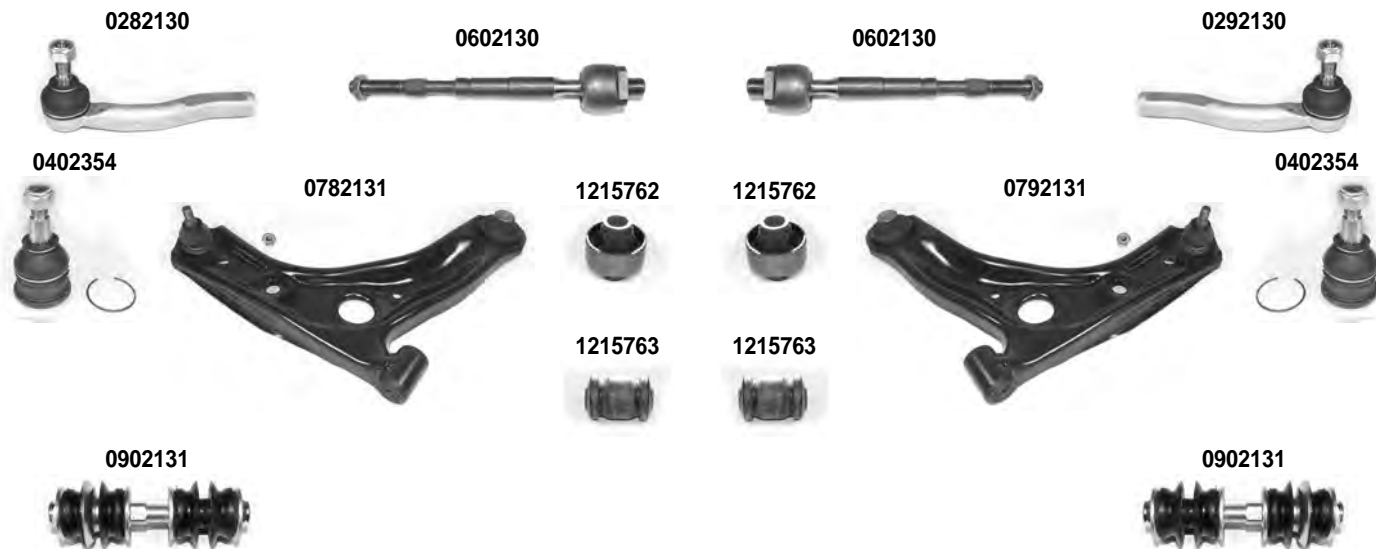
B4



05/2014 >

Asse Anteriore



Front Axle



OCAP	O.E.		
0282130	45046-09295	TESTA STERZO TIE ROD END	RHT M12x1,25
0292130	45047-09125	TESTA STERZO TIE ROD END	RHT M12x1,25
0402354	48069-09040 *	SNODO SOSPENSIONE BALL JOINT	
0602130	45500-0H010 *	SNODO ASSIALE AXIAL JOINT	RHT M12x1,25
0782131	48068-0H020	BRACCIO OSCILLANTE TRACK CONTROL ARM	
0792131	48069-0H020	BRACCIO OSCILLANTE TRACK CONTROL ARM	
0902131	48819-70010	KIT PUNTONE STABILIZER LINK KIT	
1215762	48655-0H010	SILENTBLOCK ESTREMO OUTER BUSHING	
1215763	48654-0H010	SILENTBLOCK CENTRALE CENTRAL BUSHING	

DESTRO
RIGHT



SINISTRO
LEFT

CAMRY - VISTA
CAMRY - VISTA

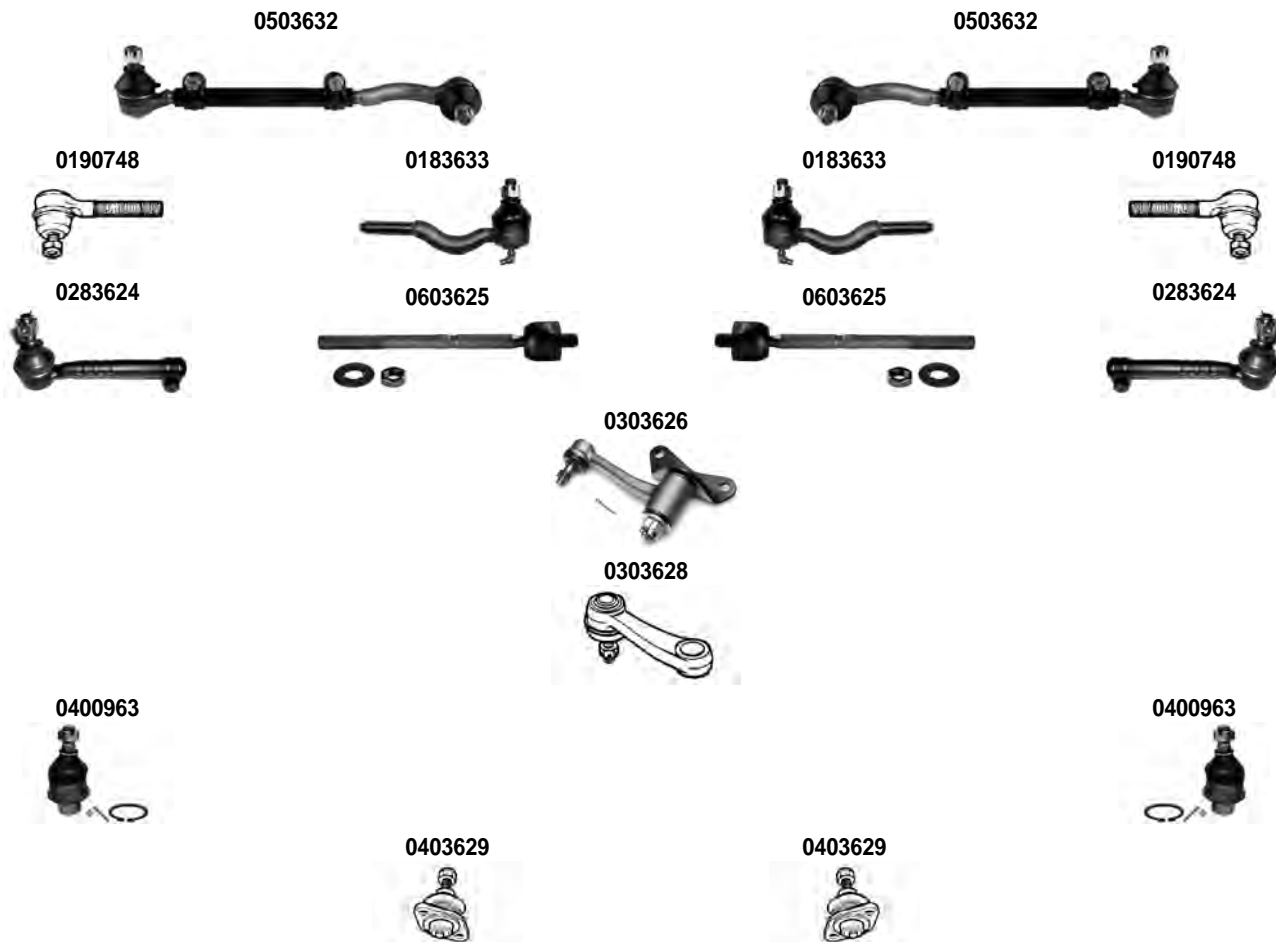
RA - TA
SV - CV

1980 > 1982
1982 > 1986

Asse Anteriore



Front Axle



i 1) STERZO MANUALE - MANUAL STEERING 2) SOLO PER - ONLY FOR : SV-CV

OCAP	O.E.		i	
0183633	45406-19075	TESTA STERZO INTERNA INNER TIE ROD		RHT M14x1,5
0190748	45046-29075	TESTA STERZO ESTERNA TIE ROD OUTER		LHT M14x1,5
0283624	45460-39165	TESTA STERZO TIE ROD END	2)	RHT M14x1,5
0303626	45490-29305	BRACCIO STERZO - L H D IDLER ARM - L H D		
0303628	45401-19125	LEVA STERZO PITMAN ARM	1)	
0400963	43308-12030	SNODO SOSPENSIONE - INFERIORE BALL JOINT - LOWER		
0403629	43330-39135	SNODO SOSPENSIONE - INFERIORE BALL JOINT - LOWER	2)	
0503632	45460-19056	BARRA STERZO TIE ROD		
0603625	45503-39015	SNODO ASSIALE AXIAL JOINT	2)	RHT M14x1,5

DESTRO
RIGHT



SINISTRO
LEFT

CAMRY - VISTA

V2

1986 > 1991

Asse Anteriore



Front Axle

0280141



0603631



0603631



0280141



0403629



0403629



Asse Posteriore



Rear Axle

0504413



0504413



OCAP	O.E.		
0280141	45046-19175	TESTA STERZO TIE ROD END	RHT M14x1,5
0403629	43330-39135	SNODO SOSPENSIONE - INFERIORE BALL JOINT - LOWER	
0504413	48830-20010	STABILIZZATORE STABILIZER LINK	
0603631	45503-29105	SNODO ASSIALE AXIAL JOINT	RHT M14x1,5

DESTRO
RIGHT



SINISTRO
LEFT

CAMRY CAMRY	V1 V20	06/1991 > 08/1996 08/1996 > 11/2001
----------------	-----------	--

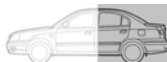
Asse Anteriore



Front Axle



Asse Posteriore



Rear Axle



i 1) SOLO PER - ONLY FOR : V1	2) SOLO PER - ONLY FOR : V20
--------------------------------------	------------------------------

OCAP	O.E.		i	
0283668	45046-29255	TESTA STERZO TIE ROD END		RHT M15x1,5
0402776	43330-39435	SNODO SOSPENSIONE - INFERIORE BALL JOINT - LOWER		
0502292	48830-33010	STABILIZZATORE STABILIZER LINK		
0504416	48820-33010	STABILIZZATORE STABILIZER LINK	1)	
0582293	48820-33020	STABILIZZATORE STABILIZER LINK	2)	
0592293	48810-33010	STABILIZZATORE STABILIZER LINK	2)	
0603669	45503-29355	SNODO ASSIALE AXIAL JOINT		RHT M15x1,5
0782776	48068-33020	BRACCIO OSCILLANTE TRACK CONTROL ARM	1)	
0782777	48068-33030	BRACCIO OSCILLANTE TRACK CONTROL ARM	2)	
0792776	48069-33020	BRACCIO OSCILLANTE TRACK CONTROL ARM	1)	
0792777	48069-33030	BRACCIO OSCILLANTE TRACK CONTROL ARM	2)	

DESTRO
RIGHT



SINISTRO
LEFT

CAMRY

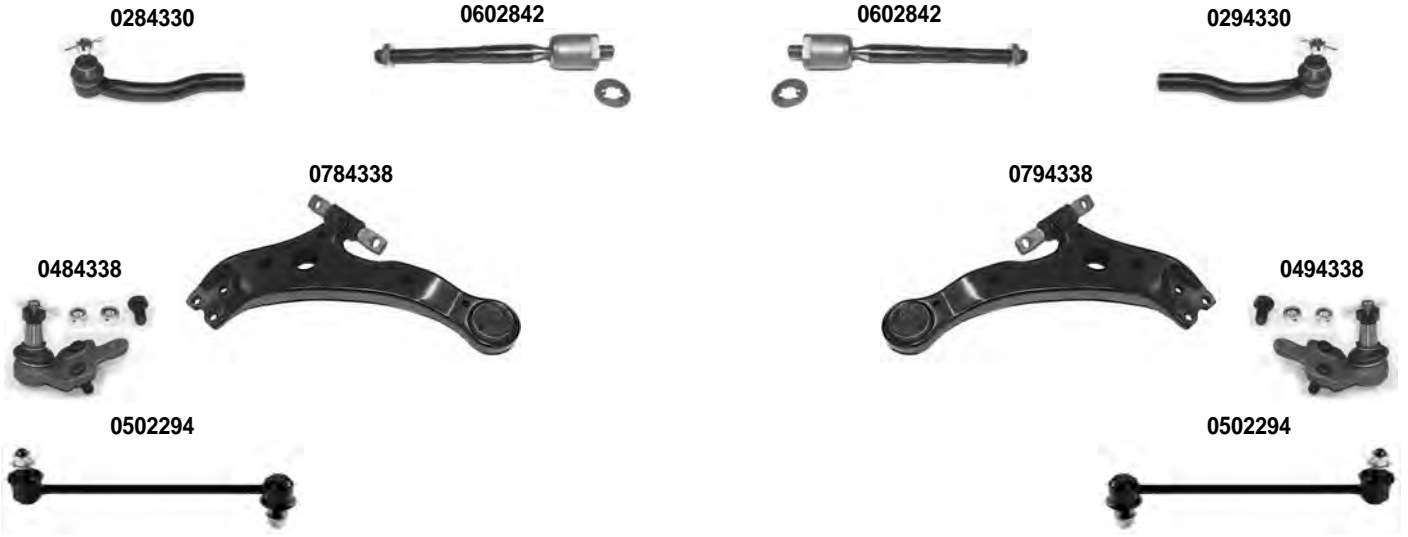
V30

2001 >

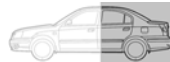
Asse Anteriore



Front Axle



Asse Posteriore



Rear Axle



OCAP	O.E.		
0284330	45460-29425	TESTA STERZO TIE ROD END	RHT M15x1,5
0294330	45470-29185	TESTA STERZO TIE ROD END	RHT M15x1,5
0484338	43330-29405	SNODO SOSPENSIONE - INFERIORE BALL JOINT - LOWER	
0494338	43340-29175	SNODO SOSPENSIONE - INFERIORE BALL JOINT - LOWER	
0502294	48820-28050	STABILIZZATORE STABILIZER LINK	
0502843	48830-48010	STABILIZZATORE STABILIZER LINK	
0602842	45503-39225	SNODO ASSIALE AXIAL JOINT	RHT M15x1,5
0784338	48068-28120	BRACCIO OSCILLANTE - INFERIORE TRACK CONTROL ARM - LOWER	
0794338	48069-28120	BRACCIO OSCILLANTE - INFERIORE TRACK CONTROL ARM - LOWER	

DESTRO
RIGHT



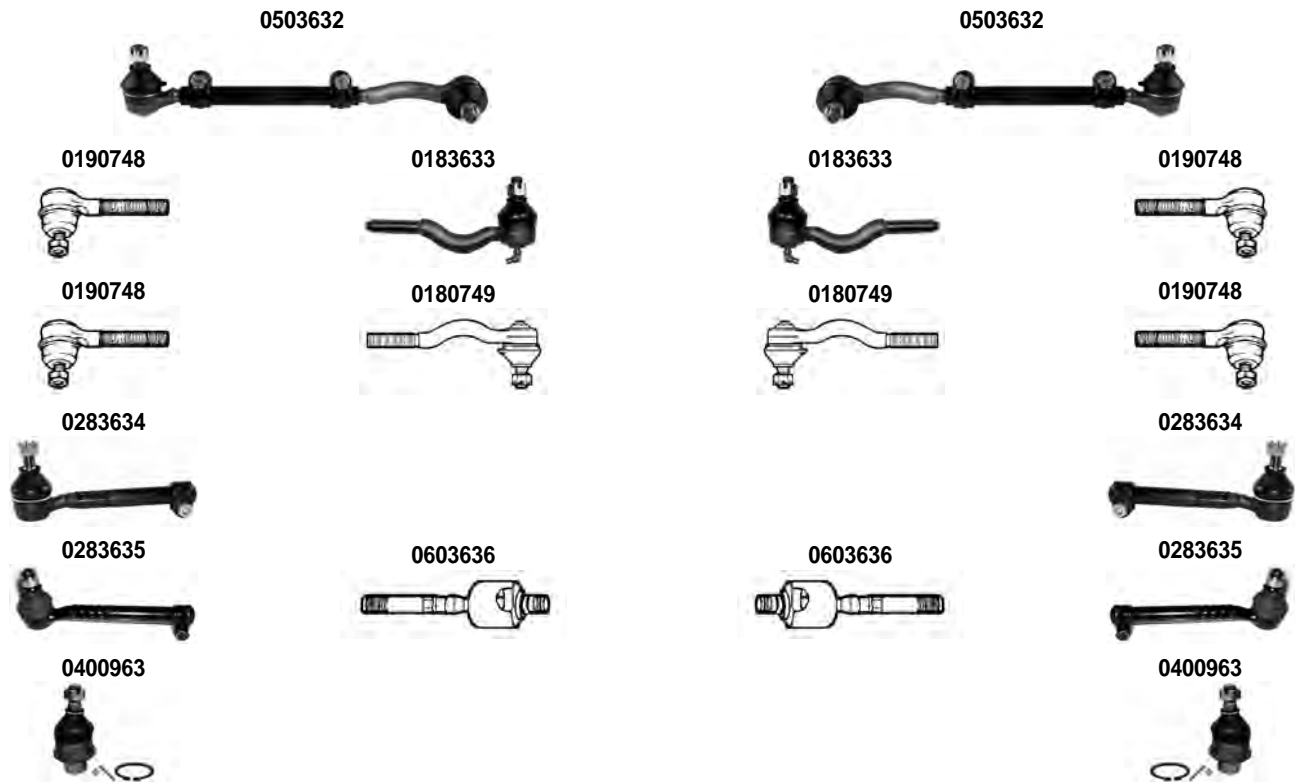
SINISTRO
LEFT

CARINA I CARINA II CELICA	TA1_ TA4-TA6 A6	1970 > 1978 1973 > 1983 1981 > 1985
---------------------------------	-----------------------	---

Asse Anteriore



Front Axle



i 1) 1975 > 3) STERZO MANUALE - MANUAL STEERING 5) SOLO PER - ONLY FOR : TA6-TA4-A6	2) > 1975 4) SERVOSTERZO - POWER STEERING
--	--

OCAP	O.E.		i	
0180749	45406-19045	TESTA STERZO - INTERNA TIE ROD END - INNER	2)	RHT M14x1,5
0183633	45406-19075	TESTA STERZO - INTERNA TIE ROD END - INNER	1)	RHT M14x1,5
0190748	45046-29075	TESTA STERZO - ESTERNA TIE ROD END - OUTER		LHT M14x1,5
0283634	45460-29225	TESTA STERZO TIE ROD END	3) 5)	RHT M14x1,5
0283635	45460-19155	TESTA STERZO TIE ROD END	4) 5)	RHT M14x1,5
0400963	43308-12030	SNODO SOSPENSIONE - INFERIORE SUSPENSION JOINT - LOWER		
0503632	45460-19056	BARRA STERZO TIE ROD	1)	
0603636	45503-29125	SNODO ASSIALE AXIAL JOINT	4) 5)	RHT M14x1,5

DESTRO
RIGHT



SINISTRO
LEFT

CARINA II

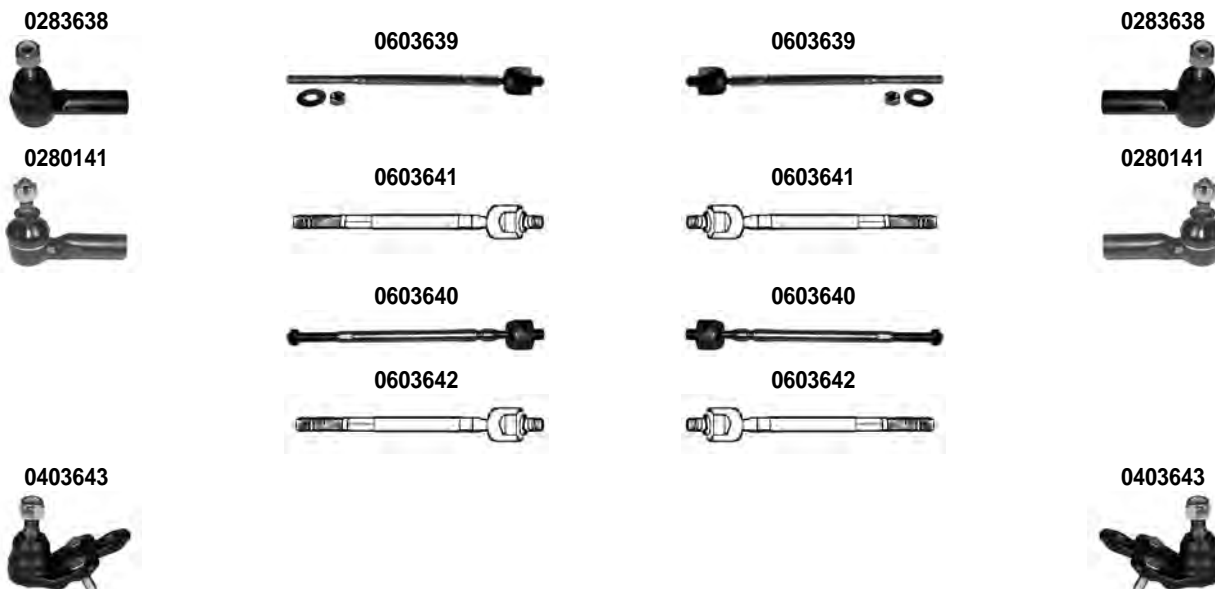
T15

10/1983 > 05/1988

Asse Anteriore



Front Axle



i	1) > 1984	2) 1984 >
	3) STERZO MANUALE - MANUAL STEERING	4) SERVOSTERZO - POWER STEERING

OCAP	O.E.		i	
0280141	45046-19175	TESTA STERZO TIE ROD END	2)	RHT M14x1,5
0283638	45046-29135	TESTA STERZO TIE ROD END	1)	RHT M12x1,25
0403643	43330-29139	SNODO SOSPENSIONE - INFERIORE SUSPENSION JOINT - LOWER		
0603639	45503-19035	SNODO ASSIALE AXIAL JOINT	1) 3)	RHT M12x1,25 L = 315 mm.
0603640	45503-19055	SNODO ASSIALE AXIAL JOINT	1) 4)	RHT M12x1,25 L = 295 mm.
0603641	45503-19036	SNODO ASSIALE AXIAL JOINT	2) 3)	RHT M14x1,5
0603642	45503-19056	SNODO ASSIALE AXIAL JOINT	2) 4)	RHT M14x1,5

DESTRO
RIGHT



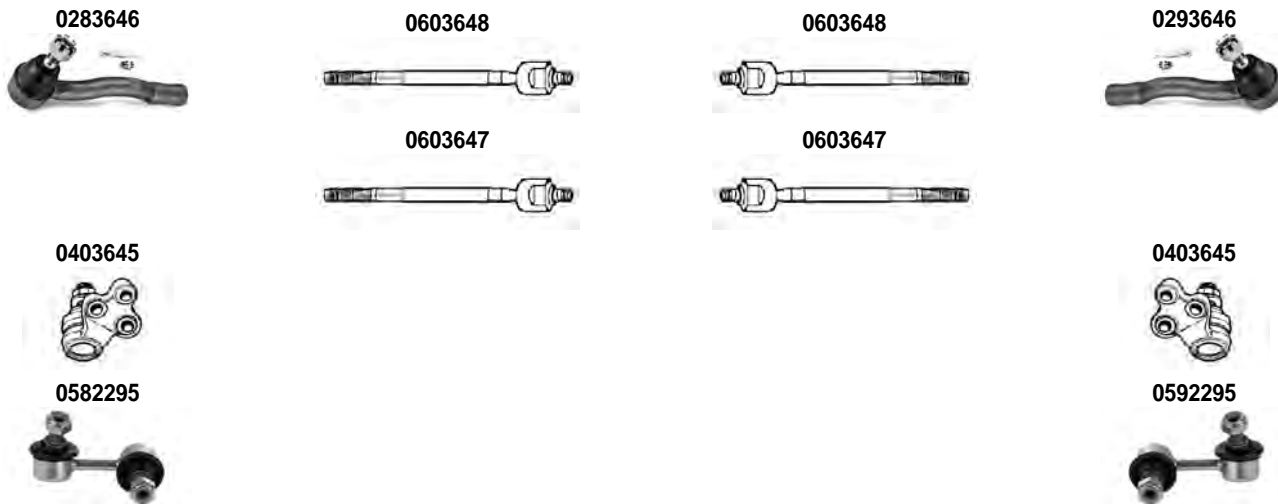
SINISTRO
LEFT

CARINA	_T17_	1987 > 1992
--------	-------	-------------

Asse Anteriore



Front Axle



i 1) STERZO MANUALE - MANUAL STEERING	2) SERVOSTERZO - POWER STEERING
--	---------------------------------

OCAP	O.E.		i	
0283646	45046-29165	TESTA STERZO TIE ROD END		RHT M15x1,5
0293646	45047-29045	TESTA STERZO TIE ROD END		RHT M15x1,5
0403645	43330-29185	SNODO SOSPENSIONE - INFERIORE BALL JOINT - LOWER		
0582295	48820-20030	STABILIZZATORE STABILIZER LINK		
0592295	48810-20010	STABILIZZATORE STABILIZER LINK		
0603647	45503-29165	SNODO ASSIALE AXIAL JOINT	2)	RHT M15x1,5
0603648	45503-29155	SNODO ASSIALE AXIAL JOINT	1)	RHT M15x1,5

DESTRO
RIGHT



SINISTRO
LEFT

CARINA E

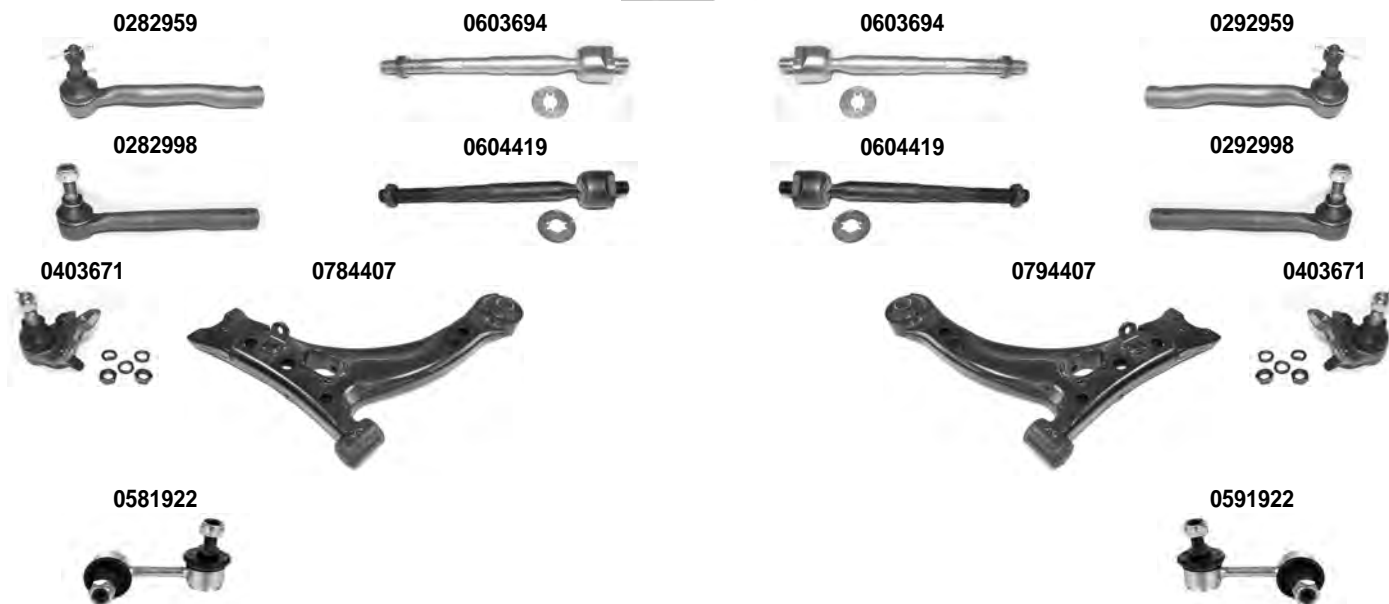
T19

04/1992 > 09/1997

Asse Anteriore



Front Axle



Asse Posteriore



Rear Axle



i 1) > 1995	2) 1996 >
--------------------	-----------

OCAP	O.E.		i	
0282959	45046-29335	TESTA STERZO TIE ROD END	1)	RHT M15x1,5
0282998	45046-09100	TESTA STERZO TIE ROD END	2)	RHT M14x1,5
0292959	45047-29105	TESTA STERZO TIE ROD END	1)	RHT M15x1,5
0292998	45047-09030	TESTA STERZO TIE ROD END	2)	RHT M14x1,5
0403671	43330-29265	SNODO SOSPENSIONE - INFERIORE BALL JOINT - LOWER		
0504413	48830-20010	STABILIZZATORE STABILIZER LINK		
0581922	48820-05012	STABILIZZATORE STABILIZER LINK		
0591922	48810-05012	STABILIZZATORE STABILIZER LINK		
0603694	45503-29435	SNODO ASSIALE AXIAL JOINT	1)	RHT M15x1,5
0604419	45503-05010	SNODO ASSIALE AXIAL JOINT	2)	
0784407	48068-20260	BRACCIO OSCILLANTE TRACK CONTROL ARM		
0794407	48069-20260	BRACCIO OSCILLANTE TRACK CONTROL ARM		

DESTRO
RIGHT



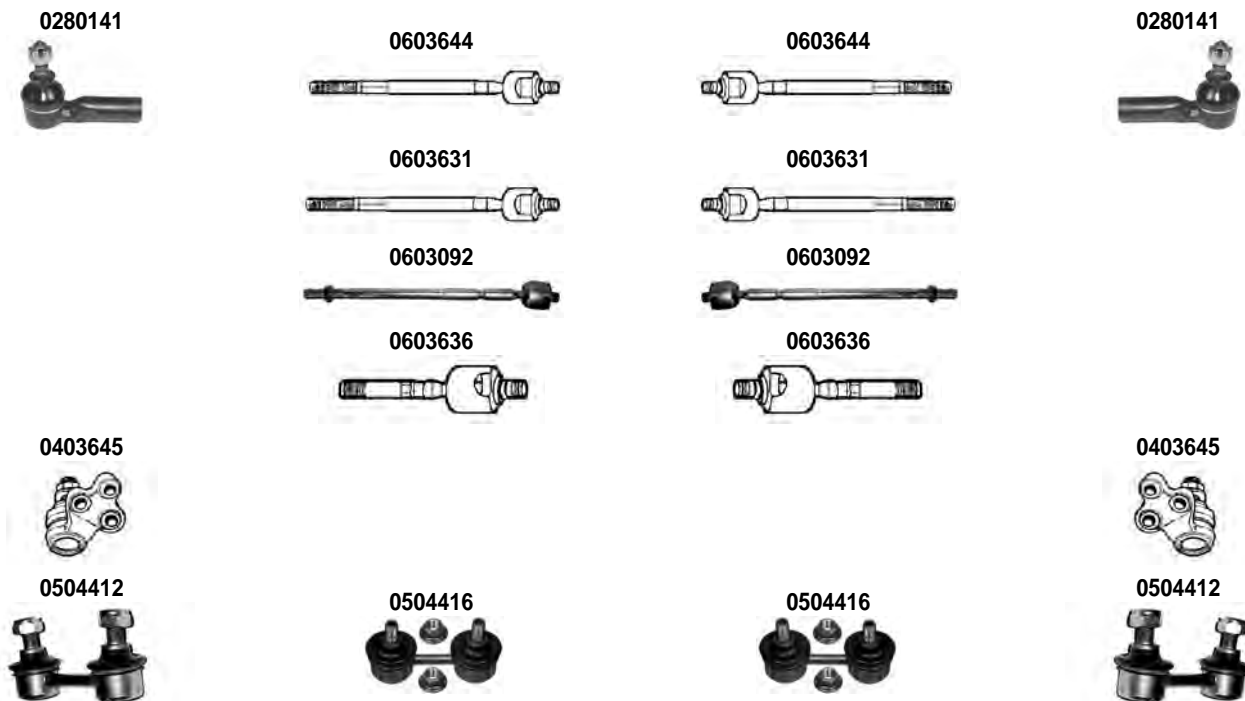
SINISTRO
LEFT

CELICA	T16-T18-T20	1985 > 1999
--------	-------------	-------------

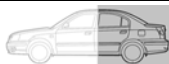
Asse Anteriore



Front Axle



Asse Posteriore



Rear Axle



i 1) MOD. T16 3) SERVOSTERZO - POWER STEERING	2) MOD. T18 4) MOD. T20
---	----------------------------

OCAP	O.E.		i	
0280141	45046-19175	TESTA STERZO TIE ROD END	1)	RHT M14x1,5
0403645	43330-29185	SNODO SOSPENSIONE - INFERIORE BALL JOINT - LOWER	1)	
0504412	48820-20010	STABILIZZATORE STABILIZER LINK	2)	
0504413	48830-20010	STABILIZZATORE STABILIZER LINK		
0504416	48820-33010	STABILIZZATORE STABILIZER LINK	4)	
0603092	45503-29245	SNODO ASSIALE AXIAL JOINT	2)	RHT M14x1,5
0603631	45503-29105	SNODO ASSIALE AXIAL JOINT	1)	RHT M14x1,5
0603636	45503-29125	SNODO ASSIALE AXIAL JOINT	1) 3) 4)	RHT M14x1,5
0603644	45503-29075	SNODO ASSIALE AXIAL JOINT	1)	RHT M14x1,5

DESTRO
RIGHT

 SINISTRO
LEFT

CELICA

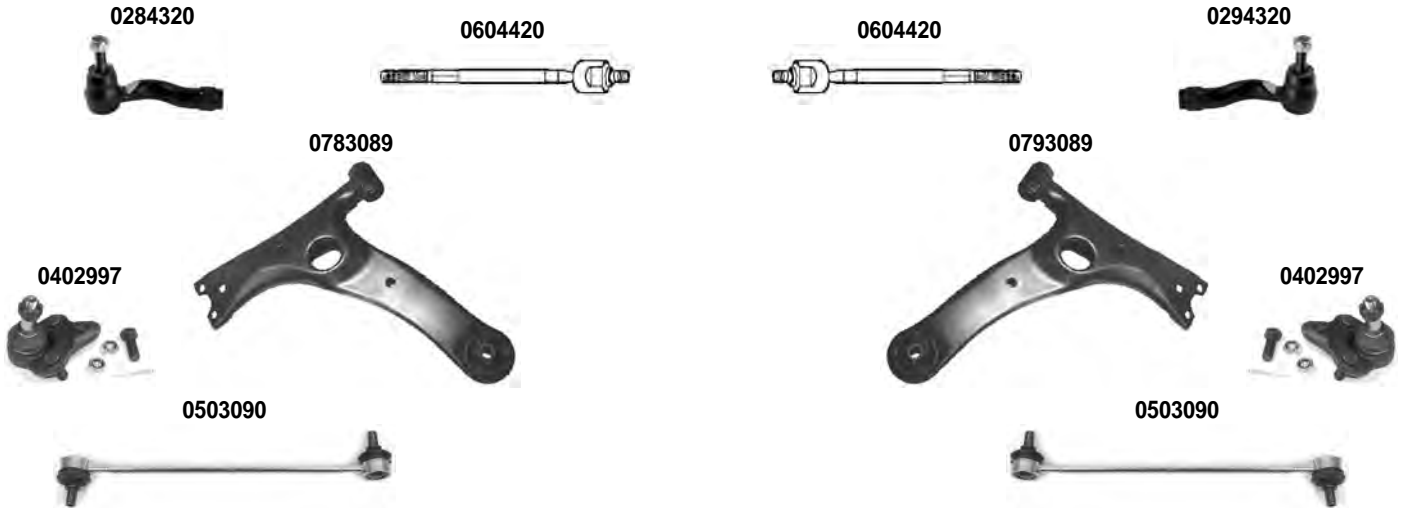
ZZT23

11/1999 >

Asse Anteriore



Front Axle



Asse Posteriore



Rear Axle



OCAP	O.E.		
0284320	45046-49085	TESTA STERZO TIE ROD END	RHT M14x1,5
0294320	45047-49015	TESTA STERZO TIE ROD END	RHT M14x1,5
0402997	43330-09090	SNODO SOSPENSIONE - INFERIORE BALL JOINT - LOWER	
0503090	48820-32010	STABILIZZATORE STABILIZER LINK	
0504565	48820-24010	STABILIZZATORE STABILIZER LINK	
0604420	45503-49035	SNODO ASSIALE AXIAL JOINT	RHT M14x1,5
0783089	48068-20380	BRACCIO OSCILLANTE - INFERIORE TRACK CONTROL ARM - LOWER	
0793089	48069-20380	BRACCIO OSCILLANTE - INFERIORE TRACK CONTROL ARM - LOWER	

DESTRO
RIGHT



SINISTRO
LEFT

C-HR	X1	10/2016 >
------	----	-----------

Asse Anteriore



Front Axle

0403095

0788688

0798688

0403095



1216320

1216320



OCAP	O.E.			
0403095	43330-49095	SNODO SOSPENSIONE - INFERIORE BALL JOINT - LOWER		
0788688	48068-F4010	BRACCIO OSCILLANTE - INFERIORE TRACK CONTROL ARM - LOWER		
0798688	48069-F4010	BRACCIO OSCILLANTE - INFERIORE TRACK CONTROL ARM - LOWER		
1216320	48654-02040	SILENTBLOCK CENTRALE BUSHING CENTRAL		

DESTRO
RIGHT



SINISTRO
LEFT

COROLLA - SPRINTER
COROLLA - SPRINTER

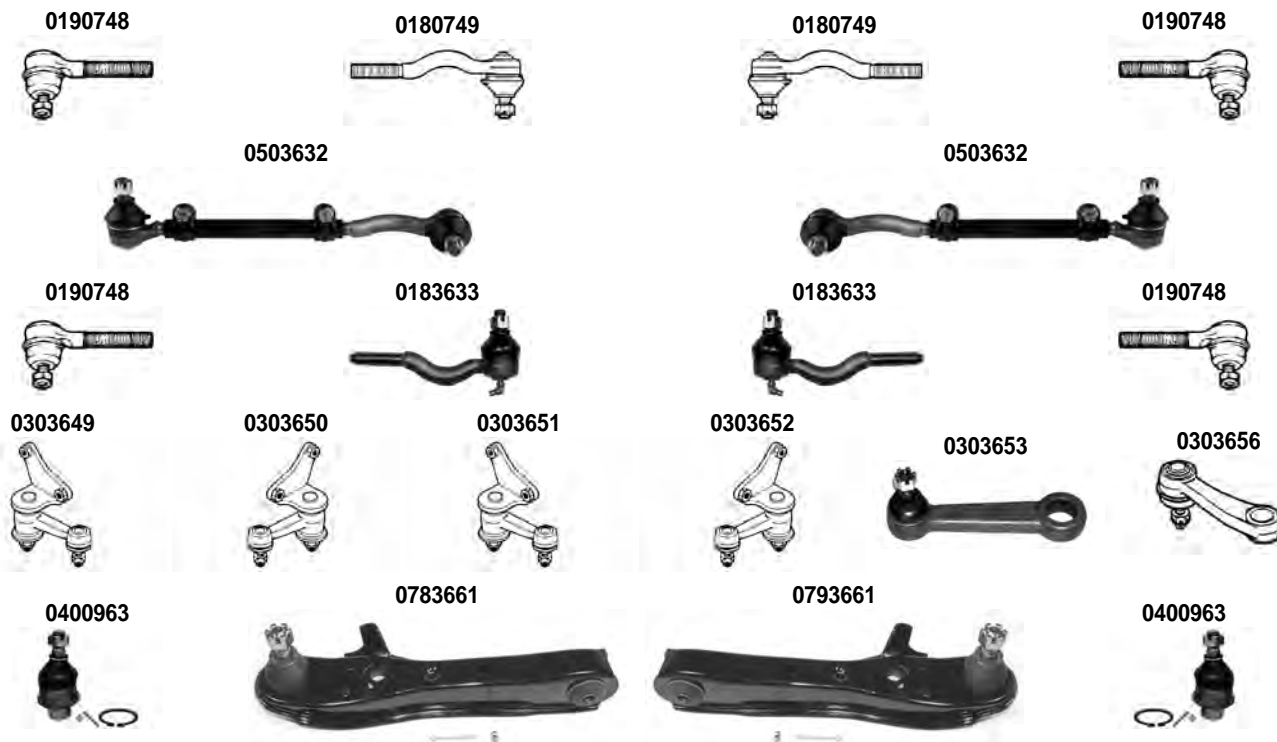
KE-TE
E7

1970 > 1981
1979 > 1985

Asse Anteriore



Front Axle



i 1) > 1979	2) 1979 >
--------------------	-----------

OCAP	O.E.		i	
0180749	45406-19045	TESTA STERZO - INTERNA TIE ROD END - INNER	1)	RHT M14x1,5
0183633	45406-19075	TESTA STERZO - INTERNA TIE ROD END - INNER	2)	RHT M14x1,5
0190748	45046-29075	TESTA STERZO - ESTERNA TIE ROD END - OUTER	1)	LHT M14x1,5
0303649	45490-19135	BRACCIO STERZO - L H D IDLER ARM - L H D	1)	
0303650	45490-19125	BRACCIO STERZO - R H D IDLER ARM - R H D	1)	
0303651	45490-19225	BRACCIO STERZO - L H D IDLER ARM - L H D	2)	
0303652	45490-19215	BRACCIO STERZO - R H D IDLER ARM - R H D	2)	
0303653	45401-19095	LEVA STERZO - L H D PITMAN ARM - L H D	1)	
0303656	45401-19195	LEVA STERZO - L H D PITMAN ARM - L H D	2)	
0400963	43308-12030	SNODO SOSPENSIONE - INFERIORE BALL JOINT - LOWER		
0503632	45460-19056	BARRA STERZO TIE ROD	2)	
0783661	48068-19045	BRACCIO OSCILLANTE TRACK CONTROL ARM		
0793661	48069-19045	BRACCIO OSCILLANTE TRACK CONTROL ARM		

DESTRO
RIGHT



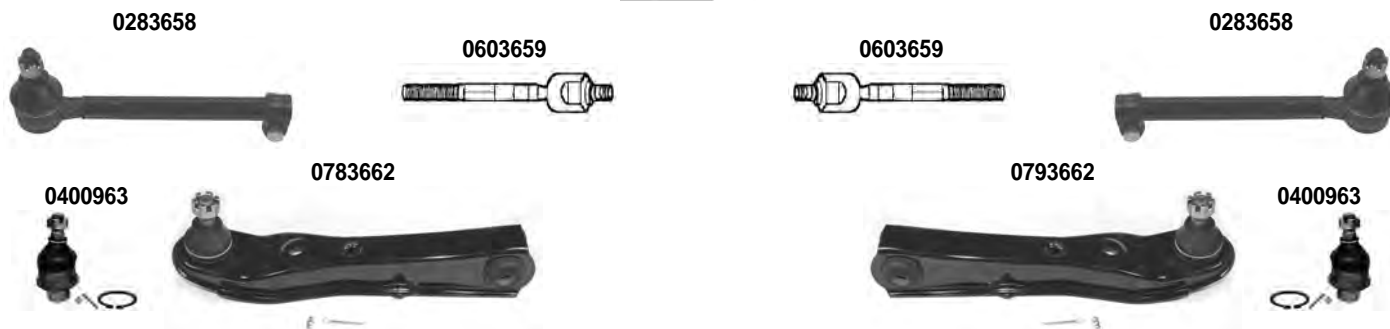
SINISTRO
LEFT

COROLLA - SPRINTER	E7-E8	1979 > 1983 1981 > 1983 1982 > 1987
--------------------	-------	---

Asse Anteriore



Front Axle



OCAP	O.E.			
0283658	45460-19125	TESTA STERZO TIE ROD END		RHT M14x1,5
0400963	43308-12030	SNODO SOSPENSIONE - INFERIORE BALL JOINT - LOWER		
0603659	45503-19015	SNODO ASSIALE AXIAL JOINT		RHT M14x1,5
0783662	48068-19125	BRACCIO OSCILLANTE TRACK CONTROL ARM		
0793662	48069-19125	BRACCIO OSCILLANTE TRACK CONTROL ARM		

DESTRO
RIGHT



SINISTRO
LEFT

COROLLA - SPRINTER

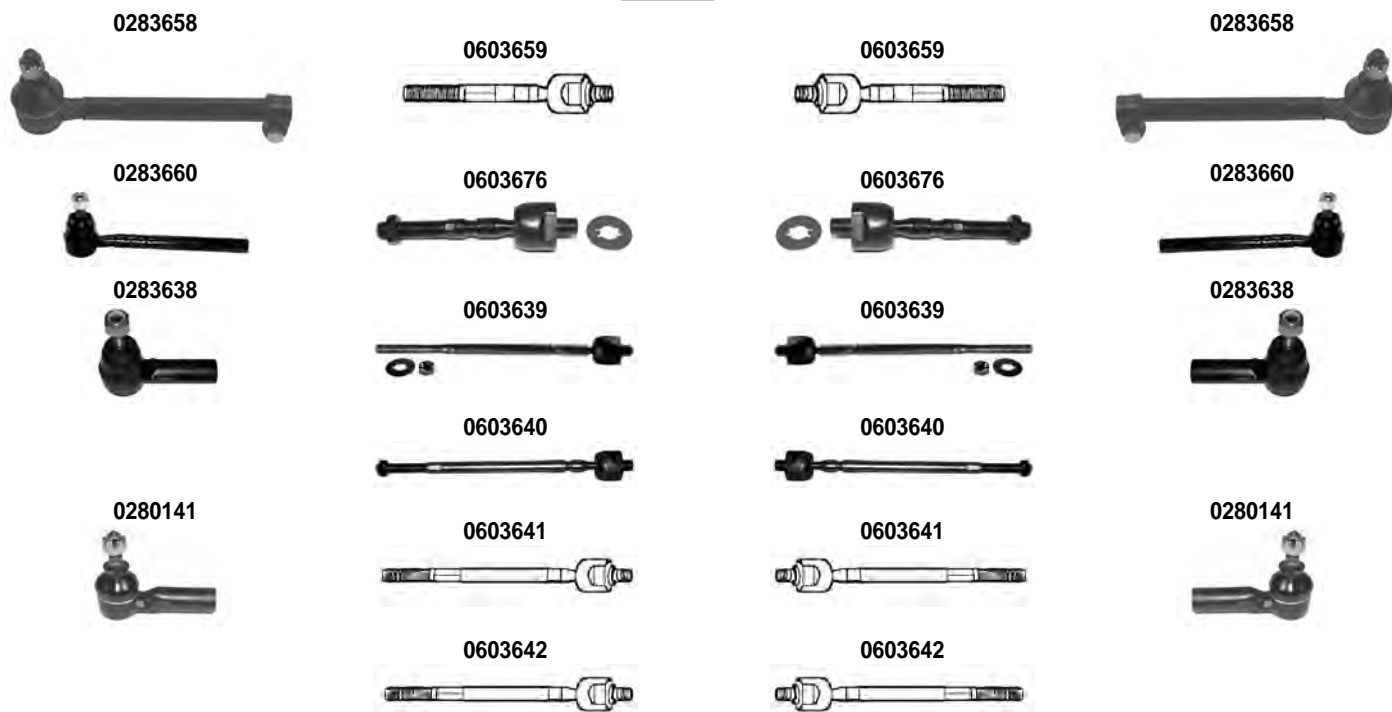
E8-AE86

1983 > 1987

Asse Anteriore



Front Axle



i	1) MOD. AE86	2) STERZO MANUALE - MANUAL STEERING
	3) SERVOSTERZO - POWER STEERING	4) 1985 >
	5) > 1984	6) 1984 >

OCAP	O.E.		
0280141	45046-19175	TESTA STERZO - ESTERNA TIE ROD END - OUTER	6) RHT M14x1,25
0283638	45046-29135	TESTA STERZO - ESTERNA TIE ROD END - OUTER	5) RHT M12x1,25
0283658	45460-19125	TESTA STERZO TIE ROD END	1) RHT M14x1,5
0283660	45460-19215	TESTA STERZO TIE ROD END	1) RHT M14x1,5
0603639	45503-19035	SNODO ASSIALE AXIAL JOINT	5) RHT M12x1,25
0603640	45503-19055	SNODO ASSIALE AXIAL JOINT	5) RHT M12x1,25
0603641	45503-19036	SNODO ASSIALE AXIAL JOINT	6) RHT M14x1,25
0603642	45503-19056	SNODO ASSIALE AXIAL JOINT	6) RHT M14x1,25
0603659	45503-19015	SNODO ASSIALE AXIAL JOINT	2) RHT M14x1,5
0603676	45503-19025	SNODO ASSIALE AXIAL JOINT	3) 4) RHT M14x1,5

DESTRO
RIGHT



SINISTRO
LEFT

COROLLA - SPRINTER

E8-AE86

1983 > 1987

Asse Anteriore



Front Axle

0400963



0400963



0783663



0793663



0403643



0403643



OCAP	O.E.			
0400963	43308-12030	SNODO SOSPENSIONE - INFERIORE BALL JOINT - LOWER		
0403643	43330-29139	SNODO SOSPENSIONE - INFERIORE BALL JOINT - LOWER		
0783663	48068-20151	BRACCIO OSCILLANTE TRACK CONTROL ARM		
0793663	48069-20151	BRACCIO OSCILLANTE TRACK CONTROL ARM		

DESTRO
RIGHT

 SINISTRO
LEFT

COROLLA II - CORSA - TERCEL

EL3-NL3

1986 >

Asse Anteriore



Front Axle

0280141

0603679

0603679

0280141

0403680

0403680


OCAP	O.E.		i	
0280141	45046-19175	TESTA STERZO TIE ROD END		RHT M14x1,5
0403680	43330-19075	SNODO SOSPENSIONE - INFERIORE BALL JOINT - LOWER		
0603679	45503-19116	SNODO ASSIALE AXIAL JOINT		RHT M14x1,5

DESTRO
RIGHT



SINISTRO
LEFT

COROLLA - SPRINTER

AE9-CE9-EE9

07/1987 > 06/1992

Asse Anteriore



Front Axle

0280141



0603664



0603664



0280141



0603665



0603665



0783667



0793667



0483666



0493666



0504412



0504412



Asse Posteriore



Rear Axle

0504413



0504413



i 1) STERZO MANUALE - MANUAL STEERING	2) SERVOSTERZO - POWER STEERING
--	---

OCAP	O.E.		i	
0280141	45046-19175	TESTA STERZO TIE ROD END		RHT M14x1,5
0483666	43330-19066	SNODO SOSPENSIONE - INFERIORE BALL JOINT - LOWER		
0493666	43340-19016	SNODO SOSPENSIONE - INFERIORE BALL JOINT - LOWER		
0504412	48820-20010	STABILIZZATORE STABILIZER LINK		
0504413	48830-20010	STABILIZZATORE STABILIZER LINK		
0603664	45503-19125	SNODO ASSIALE AXIAL JOINT	1)	RHT M14x1,5
0603665	45503-19135	SNODO ASSIALE AXIAL JOINT	2)	RHT M14x1,5
0783667	48068-12110	BRACCIO OSCILLANTE TRACK CONTROL ARM		
0793667	48069-12110	BRACCIO OSCILLANTE TRACK CONTROL ARM		

DESTRO
RIGHT



SINISTRO
LEFT

COROLLA

AE100-CE100-AE101-CE101

07/1992 > 04/1997

Asse Anteriore



Front Axle

0280141



0601923



0601923



0280141



0604319



0604319



0403671



0783672



0793672



0403671



0504416



0504416



Asse Posteriore



Rear Axle

0504413



0504413



i 1) STERZO MANUALE - MANUAL STEERING 2) SERVOSTERZO - POWER STEERING

OCAP	O.E.		i	
0280141	45046-19175	TESTA STERZO TIE ROD END		RHT M14x1,5
0403671	43330-29265	SNODO SOSPENSIONE - INFERIORE BALL JOINT - LOWER		
0504413	48830-20010	STABILIZZATORE STABILIZER LINK		
0504416	48820-33010	STABILIZZATORE STABILIZER LINK		
0601923	45503-29365	SNODO ASSIALE AXIAL JOINT	1)	RHT M14x1,5
0604319	45503-19205	SNODO ASSIALE AXIAL JOINT	2)	RHT M14x1,5
0783672	48068-12130	BRACCIO OSCILLANTE TRACK CONTROL ARM		
0793672	48069-12130	BRACCIO OSCILLANTE TRACK CONTROL ARM		

DESTRO
RIGHT



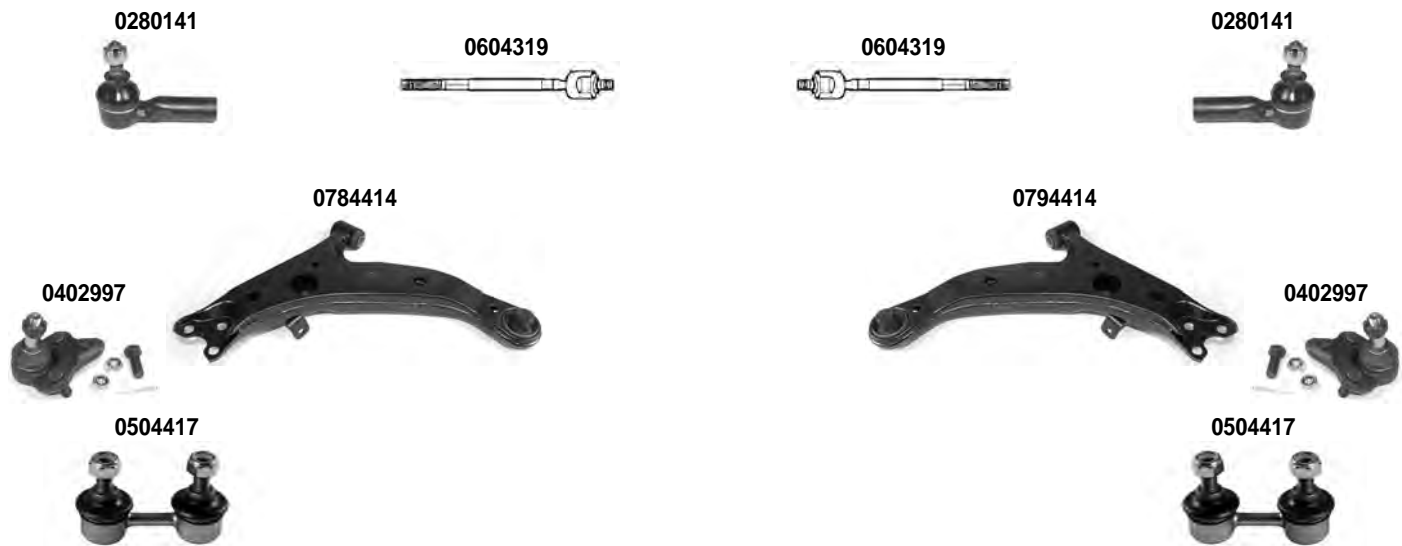
SINISTRO
LEFT

COROLLA	E11	04/1997 > 01/2002
---------	-----	-------------------

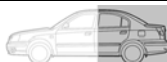
Asse Anteriore



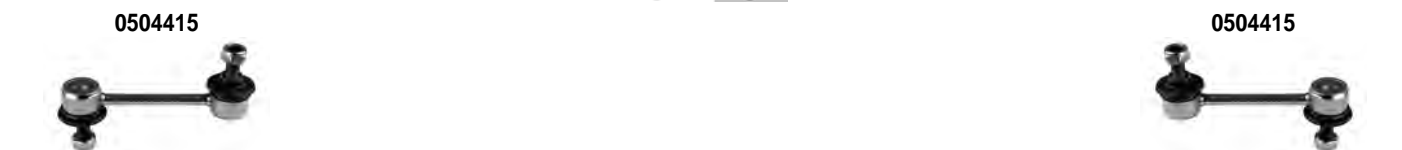
Front Axle



Asse Posteriore



Rear Axle



i 1) SERVOSTERZO - POWER STEERING	2) 09/1998 >
--	--------------

OCAP	O.E.		i	
0280141	45046-19175	TESTA STERZO TIE ROD END		RHT M14x1,5
0402997	43330-09090	SNODO SOSPENSIONE - INFERIORE BALL JOINT - LOWER	2)	
0504415	48830-12060	STABILIZZATORE STABILIZER LINK		
0504417	48820-20021	STABILIZZATORE STABILIZER LINK		
0604319	45503-19205	SNODO ASSIALE AXIAL JOINT	1)	RHT M14x1,5
0784414	48068-12180	BRACCIO OSCILLANTE - INFERIORE TRACK CONTROL ARM - LOWER		
0794414	48069-12180	BRACCIO OSCILLANTE - INFERIORE TRACK CONTROL ARM - LOWER		

DESTRO
RIGHT



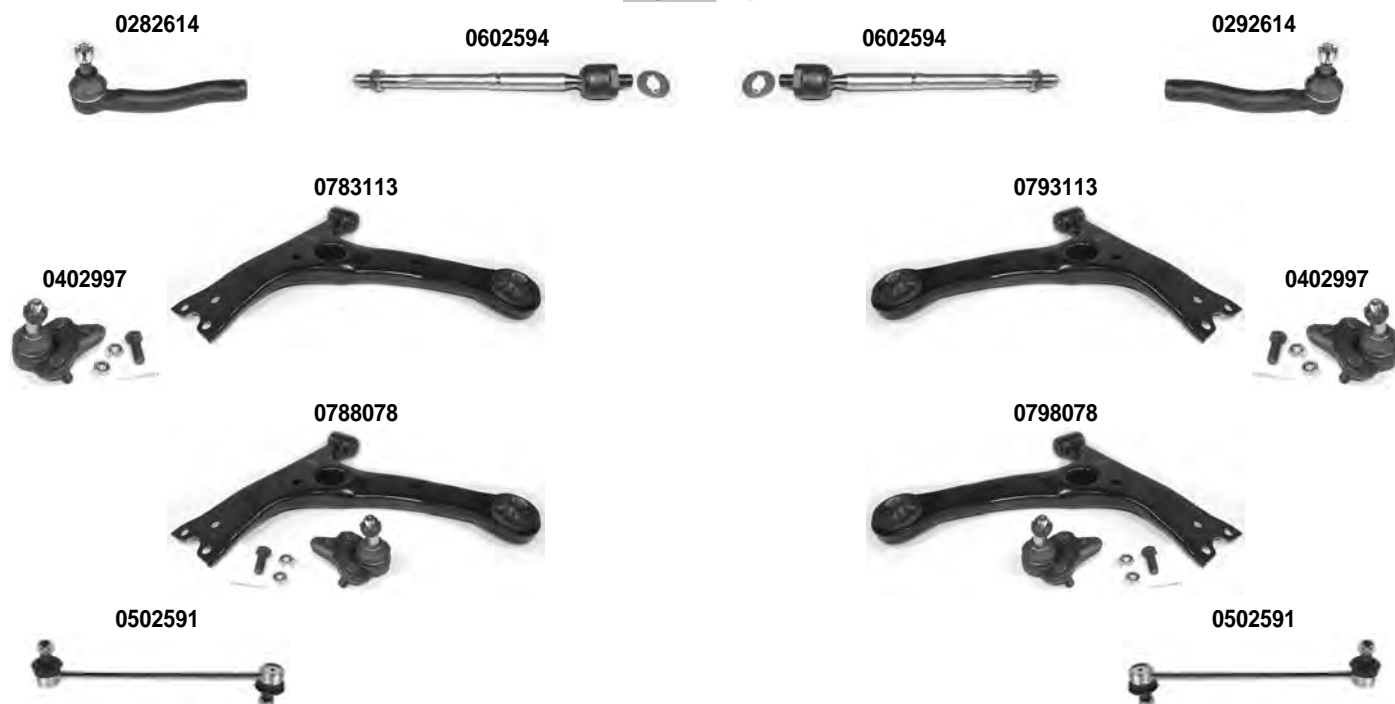
SINISTRO
LEFT

COROLLA COROLLA COROLLA COROLLA VERSO	E12U E12 Saloon E12J Station wagon E12J	01/2002 > 2007 08/2002 > 2008 01/2002 > 2007 10/2001 > 05/2004
--	--	---

Asse Anteriore



Front Axle



i 1) > 09/2002

OCAP	O.E.		i	
0282614	45046-49115	TESTA STERZO TIE ROD END		RHT M14x1,5
0292614	45047-49045	TESTA STERZO TIE ROD END		RHT M14x1,5
0402997	43330-09090	SNODO SOSPENSIONE - INFERIORE SUSPENSION JOINT - LOWER		
0502591	48820-47010	STABILIZZATORE STABILIZER LINK		
0602594	45503-12130	SNODO ASSIALE AXIAL JOINT		RHT M14x1,5
0783113	48068-12260	BRACCIO OSCILLANTE - INFERIORE TRACK CONTROL ARM - LOWER	1)	
0788078	48068-12260 *	BRACCIO OSCILLANTE - INFERIORE - COMPLETO COMPLETE TRACK CONTROL ARM - LOWER	1)	
0793113	48069-12260	BRACCIO OSCILLANTE - INFERIORE TRACK CONTROL ARM - LOWER	1)	
0798078	48069-12260 *	BRACCIO OSCILLANTE - INFERIORE - COMPLETO COMPLETE TRACK CONTROL ARM - LOWER	1)	

DESTRO
RIGHT



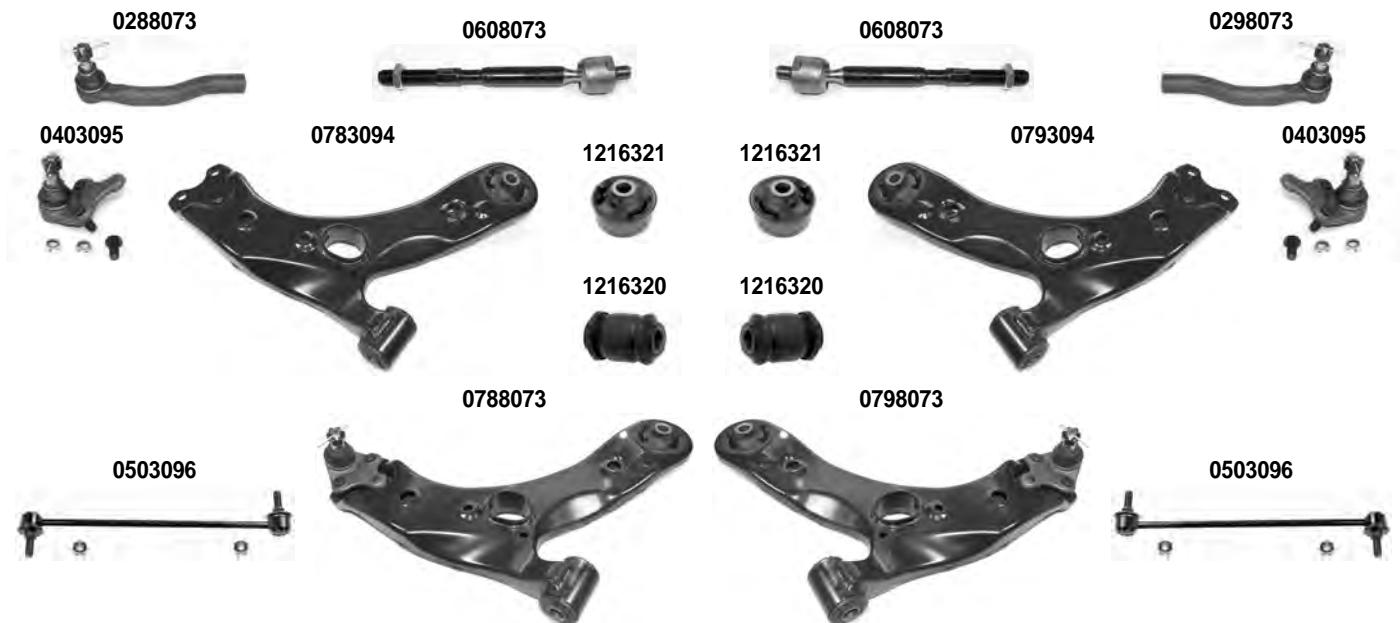
SINISTRO
LEFT

COROLLA	E18 (TRE V - SALOON)	06/2013 >
---------	----------------------	-----------

Asse Anteriore



Front Axle



OCAP	O.E.		
0288073	45046-19415	TESTA STERZO TIE ROD END	RHT M15x1,5
0298073	45047-19205	TESTA STERZO TIE ROD END	RHT M15x1,5
0403095	43330-49095	SNODO SOSPENSIONE - INFERIORE BALL JOINT - LOWER	
0503096	48820-02070	STABILIZZATORE STABILIZER LINK	
0608073	45046-19415 *	SNODO ASSIALE AXIAL JOINT	RHT M15x1,5
0783094	48068-02130	BRACCIO OSCILLANTE - INFERIORE TRACK CONTROL ARM - LOWER	
0788073	48068-12300	BRACCIO OSCILLANTE - INFERIORE TRACK CONTROL ARM - LOWER	
0793094	48069-02130	BRACCIO OSCILLANTE - INFERIORE TRACK CONTROL ARM - LOWER	
0798073	48069-12300	BRACCIO OSCILLANTE - INFERIORE TRACK CONTROL ARM - LOWER	
1216320	48654-02040	SILENTBLOCK CENTRALE BUSHING CENTRAL	
1216321	48655-02060	SILENTBLOCK ESTREMO BUSHING OUTER	

DESTRO
RIGHT



SINISTRO
LEFT

COROLLA VERSO

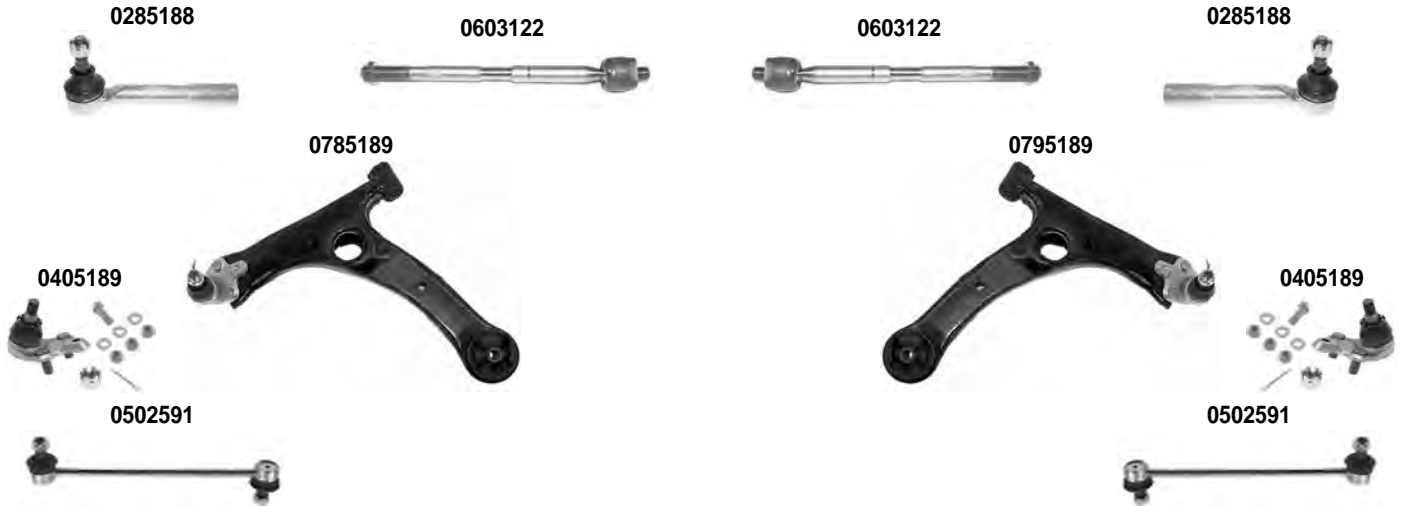
ZER - ZZE - R1

03/2004 > 2009

Asse Anteriore



Front Axle



OCAP	O.E.			
0285188	45046-09430	TESTA STERZO TIE ROD END		RHT M16x1,5
0405189	43330-09360	SNODO SOSPENSIONE - INFERIORE SUSPENSION JOINT - LOWER		
0502591	48820-47010	STABILIZZATORE STABILIZER LINK		
0603122	45503-0F010	SNODO ASSIALE AXIAL JOINT		RHT M16x1,5
0785189	48068-0F010	BRACCIO OSCILLANTE - INFERIORE TRACK CONTROL ARM - LOWER		
0795189	48069-0F010	BRACCIO OSCILLANTE - INFERIORE TRACK CONTROL ARM - LOWER		

DESTRO
RIGHT



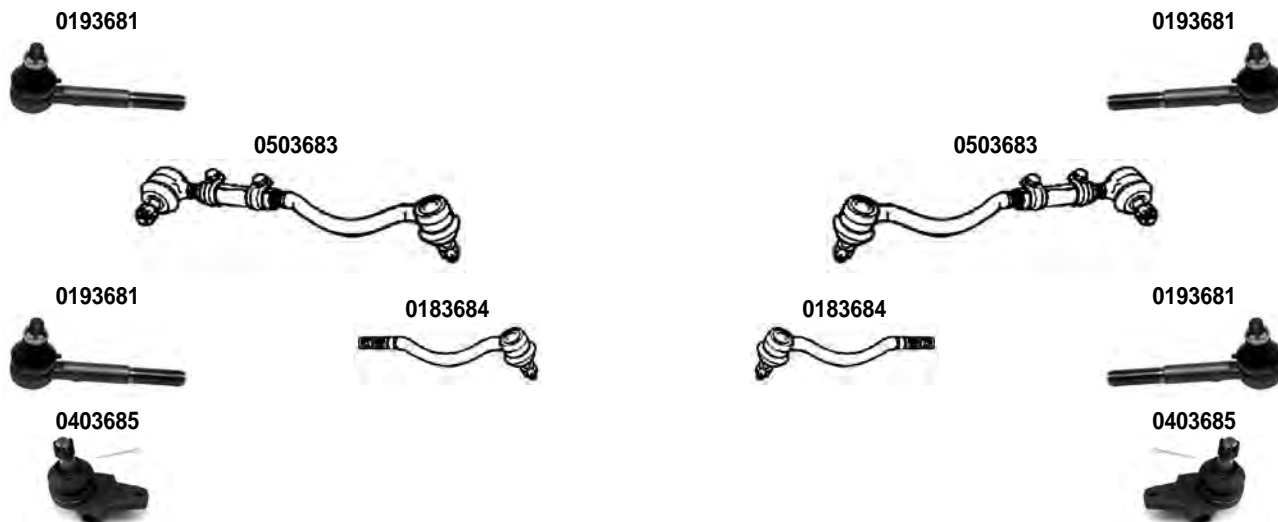
SINISTRO
LEFT

CORONA	RT4-RT5-RT8-RT9	1964 > 1973
---------------	-----------------	-------------

Asse Anteriore



Front Axle



i 1) 1970 >

OCAP	O.E.		i	
0183684	45406-29016	TESTA STERZO - INTERNA <i>TIE ROD END - INNER</i>		RHT M14x1,5
0193681	45046-29035	TESTA STERZO - ESTERNA <i>TIE ROD END - OUTER</i>		LHT M14x1,5
0403685	43340-29015	SNODO SOSPENSIONE - INFERIORE <i>SUSPENSION JOINT - LOWER</i>		
0503683	45460-29045	BARRA STERZO <i>TIE ROD</i>	1)	

DESTRO
RIGHT



SINISTRO
LEFT

CORONA

RT1_

1973 > 1978

Asse Anteriore



Front Axle



OCAP	O.E.			
0183686	45406-29065	TESTA STERZO - INTERNA TIE ROD END - INNER		RHT M14x1,5
0190748	45046-29075	TESTA STERZO - ESTERNA TIE ROD END - OUTER		LHT M14x1,5
0193686	45407-29016	TESTA STERZO - INTERNA TIE ROD END - INNER		RHT M14x1,5
0403688	43340-29036	SNODO SOSPENSIONE - INFERIORE SUSPENSION JOINT - LOWER		
0583686	45460-29085	BARRA STERZO TIE ROD		
0593686	45470-29046	BARRA STERZO TIE ROD		

DESTRO
RIGHT



SINISTRO
LEFT

CORONA	XT1_-TT1_-RT1-_T13_	1978 > 1982 1982 > 1987 1982 >
--------	---------------------	--------------------------------------

Asse Anteriore



Front Axle



i 1) > 1978		2) 1978 >		
OCAP	O.E.		i	
0183633	45406-19075	TESTA STERZO - INTERNA TIE ROD END - INNER		RHT M14x1,5
0190748	45046-29075	TESTA STERZO - ESTERNA TIE ROD END - OUTER		LHT M14x1,5
0303626	45490-29305	BRACCIO STERZO - L H D IDLER ARM - L H D	2)	
0303628	45401-19125	LEVA STERZO PITMAN ARM	2)	
0303690	45490-29145	LEVA STERZO PITMAN ARM	1)	
0303691	45401-29095	BRACCIO STERZO IDLER ARM	1)	
0400963	43308-12030	SNODO SOSPENSIONE - INFERIORE SUSPENSION JOINT - LOWER		

DESTRO
RIGHT



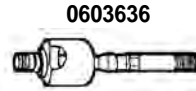
SINISTRO
LEFT

CORONA	AT140-ST140-TT142-CT140	1982 > 1987
--------	-------------------------	-------------

Asse Anteriore



Front Axle



i 1) STERZO MANUALE - MANUAL STEERING	2) SERVOSTERZO - POWER STEERING
--	---------------------------------

OCAP	O.E.		i	
0283634	45460-29225	TESTA STERZO TIE ROD END	1)	RHT M14x1,5
0283635	45460-19155	TESTA STERZO TIE ROD END	2)	RHT M14x1,5
0400963	43308-12030	SNODO SOSPENSIONE - INFERIORE SUSPENSION JOINT - LOWER		
0603636	45503-29125	SNODO ASSIALE AXIAL JOINT		RHT M14x1,5

DESTRO
RIGHT



SINISTRO
LEFT

CORONA	ST150-AT15-ST15-CT15	1983 > 1984
---------------	----------------------	-------------

Asse Anteriore



Front Axle

0283638



0603639



0603639



0283638



0603692



0603692



0603640



0603640



0403643



0403643



i 1) STERZO MANUALE - MANUAL STEERING 3) SERIE - SERIES : ST 150	2) SERVOSTERZO - POWER STEERING 4) SERIE - SERIES : AT/ST/CT15
--	---

OCAP	O.E.		i	
0283638	45046-29135	TESTA STERZO TIE ROD END		RHT M12x1,25
0403643	43330-29139	SNODO SOSPENSIONE - INFERIORE SUSPENSION JOINT - LOWER		
0603639	45503-19035	SNODO ASSIALE AXIAL JOINT	1)	RHT M12x1,25
0603640	45503-19055	SNODO ASSIALE AXIAL JOINT	2) 4)	RHT M12x1,25
0603692	45503-39025	SNODO ASSIALE AXIAL JOINT	2) 3)	RHT M12x1,25

DESTRO
RIGHT



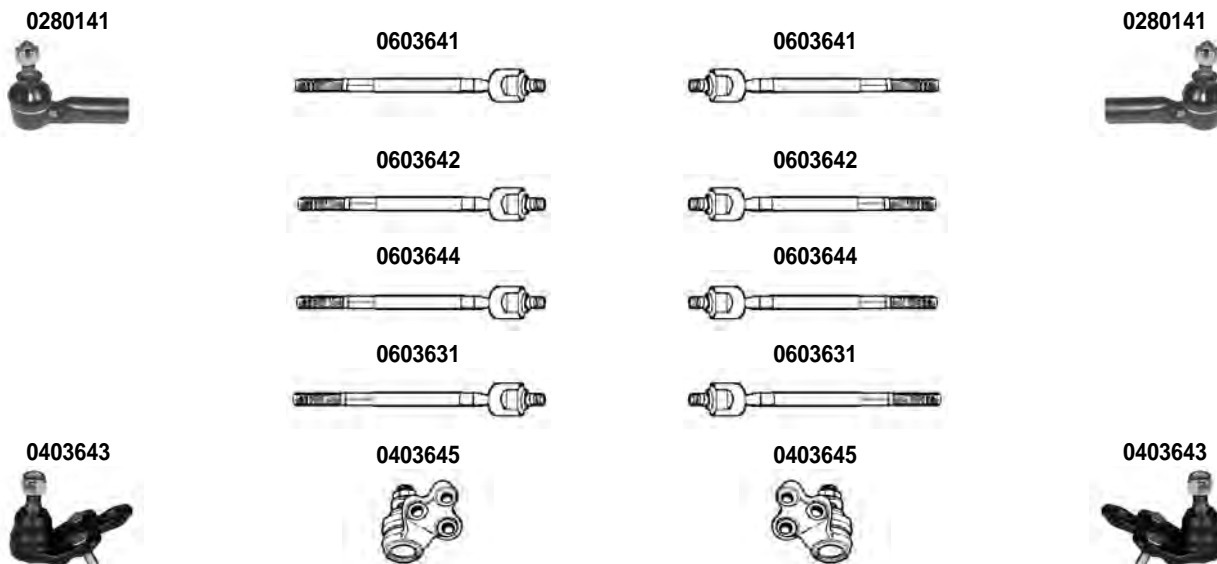
SINISTRO
LEFT

CORONA	AT15-ST15-CT15 AT16-ST16	1984 > 1987 1985 >
---------------	-----------------------------	-----------------------

Asse Anteriore



Front Axle



i	1) STERZO MANUALE - MANUAL STEERING	2) SERVOSTERZO - POWER STEERING
	3) SERIE - SERIES : AT15/ST15/CT15	4) SERIE - SERIES : AT16/ST16 SEDAN
	5) SERIE - SERIES : AT16/ST16 COUPE'	6) SERIE - SERIES : AT16/ST16

OCAP	O.E.		i	
0280141	45046-19175	TESTA STERZO TIE ROD END		RHT M14x1,5
0403643	43330-29139	SNODO SOSPENSIONE - INFERIORE SUSPENSION JOINT - LOWER	3)	
0403645	43330-29185	SNODO SOSPENSIONE - INFERIORE SUSPENSION JOINT - LOWER	6)	
0603631	45503-29105	SNODO ASSIALE AXIAL JOINT	5)	RHT M14x1,5
0603641	45503-19036	SNODO ASSIALE AXIAL JOINT	1) 3)	RHT M14x1,5
0603642	45503-19056	SNODO ASSIALE AXIAL JOINT	2) 3)	RHT M14x1,5
0603644	45503-29075	SNODO ASSIALE AXIAL JOINT	4)	RHT M14x1,5

DESTRO
RIGHT



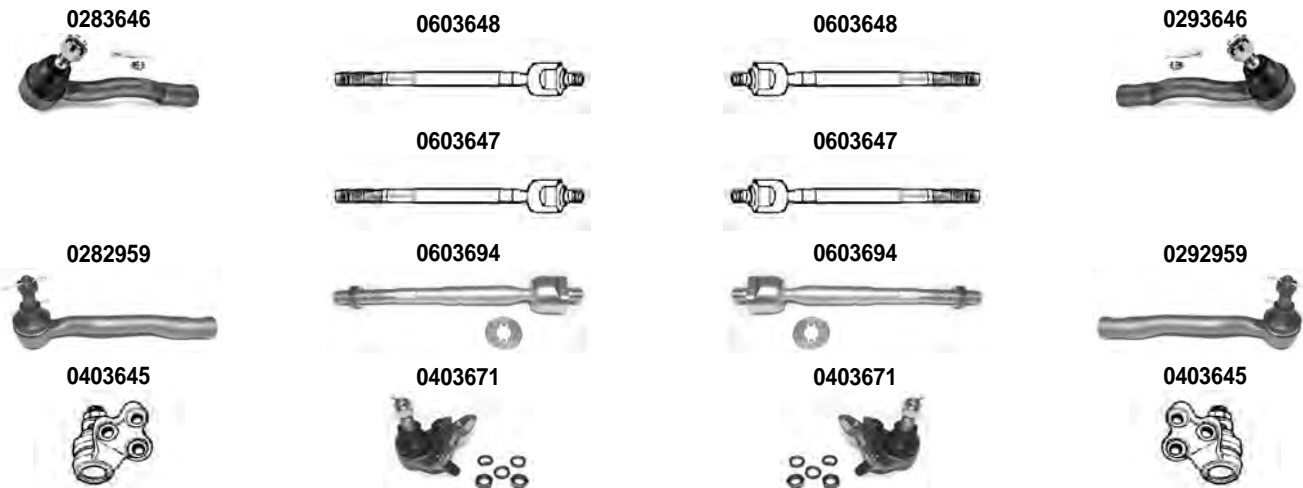
SINISTRO
LEFT

CORONA	AT17-CT17-ET17V-CT17V-ST17 ST191-AT190	1987 > 1992 1992 >
---------------	---	-----------------------

Asse Anteriore



Front Axle



i 1) > 1992 3) SERVOSTERZO - POWER STEERING	2) STERZO MANUALE - MANUAL STEERING 4) 1992 >
---	---

OCAP	O.E.		i	
0282959	45046-29335	TESTA STERZO TIE ROD END	4)	
0283646	45046-29165	TESTA STERZO TIE ROD END	1)	RHT M15x1,5
0292959	45047-29105	TESTA STERZO TIE ROD END	4)	
0293646	45047-29045	TESTA STERZO TIE ROD END	1)	RHT M15x1,5
0403645	43330-29185	SNODO SOSPENSIONE - INFERIORE SUSPENSION JOINT - LOWER	1)	
0403671	43330-29265	SNODO SOSPENSIONE - INFERIORE SUSPENSION JOINT - LOWER	4)	
0603647	45503-29165	SNODO ASSIALE AXIAL JOINT	1) 3)	RHT M15x1,5
0603648	45503-29155	SNODO ASSIALE AXIAL JOINT	1) 2)	RHT M15x1,5
0603694	45503-29435	SNODO ASSIALE AXIAL JOINT	4)	

DESTRO
RIGHT



SINISTRO
LEFT

CROWN

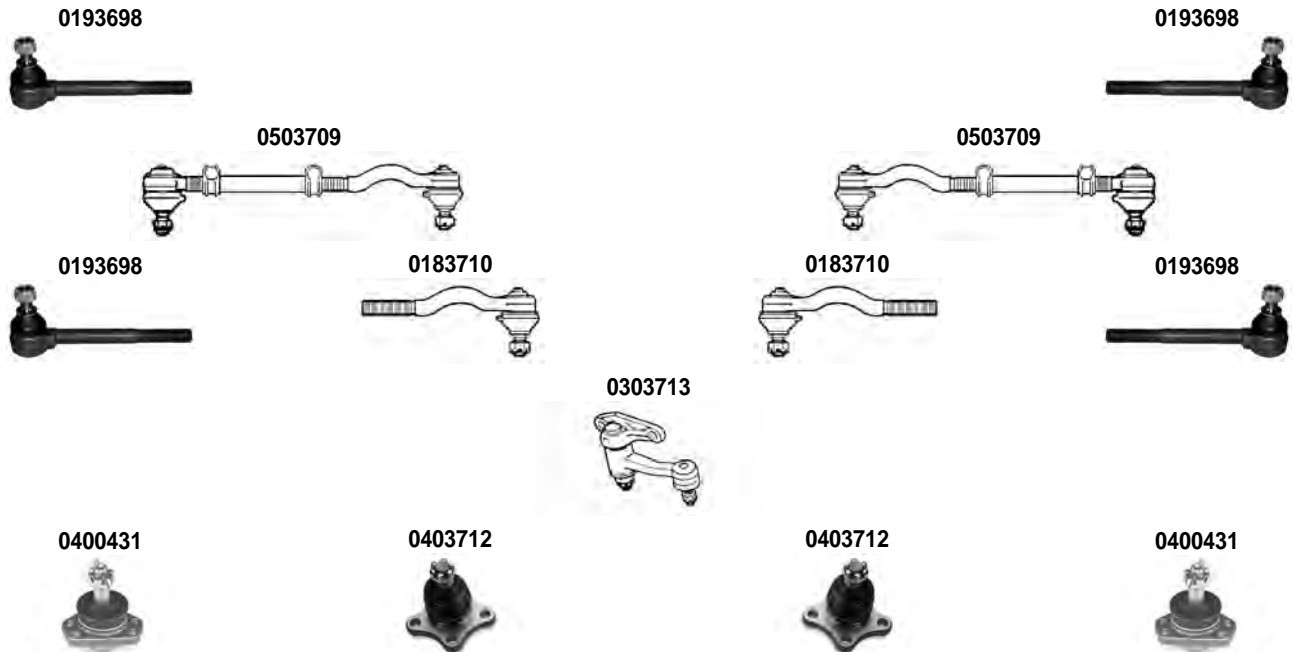
RS_MS_
RS_MS_LS
RS_MS_LS_GS

1967 > 1974
1974 > 1979
1979 > 1983

Asse Anteriore



Front Axle



i	1) 1971 > 1983	2) 1974 > 1983
	3) 1974 >	

OCAP	O.E.		i	
0183710	45406-39075	TESTA STERZO TIE ROD END	2)	RHT M17x1,5
0193698	45046-39115	TESTA STERZO - ESTERNA TIE ROD END - OUTER	1)	LHT M17x1,5
0303713	45490-39165	BRACCIO STERZO - L H D IDLER ARM - L H D		
0400431	43360-39065	SNODO SOSPENSIONE - SUPERIORE - CON KIT SUSPENSION JOINT - UPPER - WITH KIT		
0403712	43340-39215	SNODO SOSPENSIONE - INFERIORE SUSPENSION JOINT - LOWER	3)	
0503709	45460-39125	BARRA STERZO TIE ROD	2)	

DESTRO
RIGHT



SINISTRO
LEFT

CROWN	YS12-MS12-LS12-GS12	1983 > 1987
-------	---------------------	-------------

Asse Anteriore



Front Axle



OCAP	O.E.			
0183719	45406-39105	TESTA STERZO - INTERNA TIE ROD END - INNER		
0193718	45046-39155	TESTA STERZO - ESTERNA TIE ROD END - OUTER		
0400431	43360-39065	SNODO SOSPENSIONE - SUPERIORE SUSPENSION JOINT - UPPER		
0403712	43340-39215	SNODO SOSPENSIONE - INFERIORE SUSPENSION JOINT - LOWER		
0503718	45460-39195	BARRRA STERZO TIE ROD		

DESTRO
RIGHT



SINISTRO
LEFT

CROWN

YS130-MS13-LS130-GS13

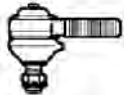
1987 >

Asse Anteriore



Front Axle

0193718



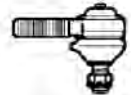
0183721



0183721



0193718



0193722



0183721



0183721



0193722



0403712



0403712



i 1) STERZO MANUALE - MANUAL STEERING		2) SERVOSTERZO - POWER STEERING		
OCAP	O.E.		i	
0183721	45406-39145	TESTA STERZO - INTERNA TIE ROD END - INNER		RHT M17x1,5
0193718	45046-39155	TESTA STERZO - ESTERNA TIE ROD END - OUTER	1)	LHT M17x1,5
0193722	45046-39195	TESTA STERZO - ESTERNA TIE ROD END - OUTER	2)	LHT M17x1,5
0403712	43340-39215	SNODO SOSPENSIONE - INFERIORE SUSPENSION JOINT - LOWER		

DESTRO
RIGHT



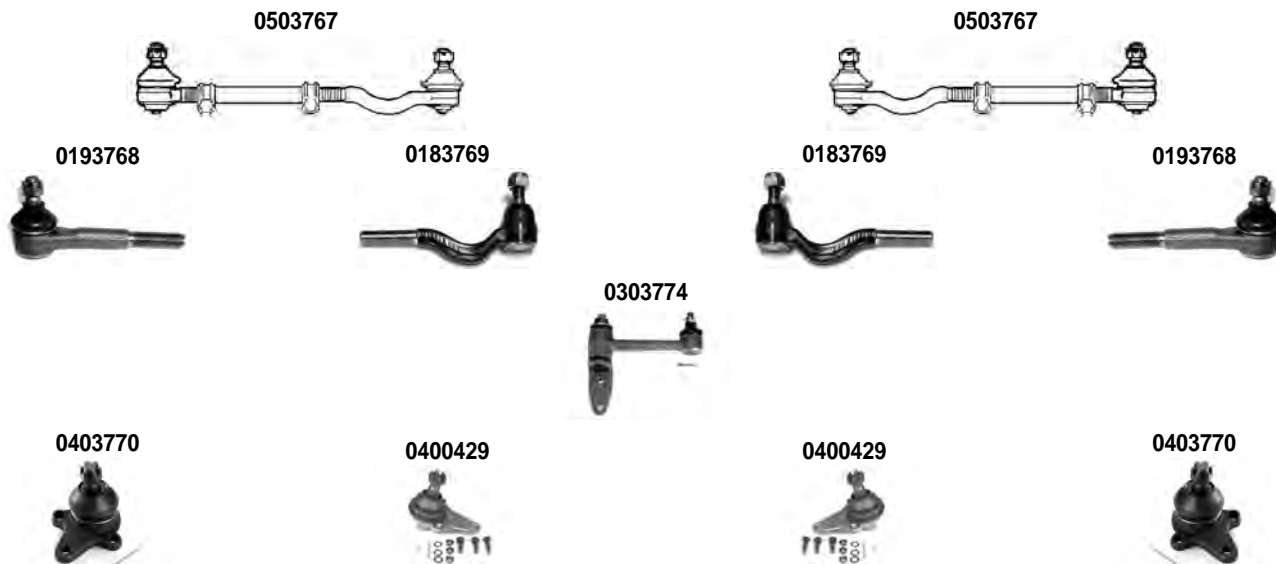
SINISTRO
LEFT

HIACE HIACE TRUCK	PH_RH_ RH_LH_	1972 > 1982 1977 > 1985
----------------------	------------------	----------------------------

Asse Anteriore



Front Axle



OCAP	O.E.		
0183769	45406-29095	TESTA STERZO - INTERNA TIE ROD END - INNER	RHT M17x1,5
0193768	45046-29105	TESTA STERZO - ESTERNA TIE ROD END - OUTER	LHT M17x1,5
0303774	45490-29245	BRACCIO STERZO - L H D IDLER ARM - L H D	
0400429	43340-39075	SNODO SOSPENSIONE - INFERIORE - CON KIT SUSPENSION JOINT - LOWER - WITH KIT	
0403770	43360-29025	SNODO SOSPENSIONE - SUPERIORE SUSPENSION JOINT - UPPER	
0503767	45460-29185	BARRA STERZO TIE ROD	

DESTRO
RIGHT

 SINISTRO
LEFT

HIACE VAN - VAGON - COMMUTER
HIACE TRUCK

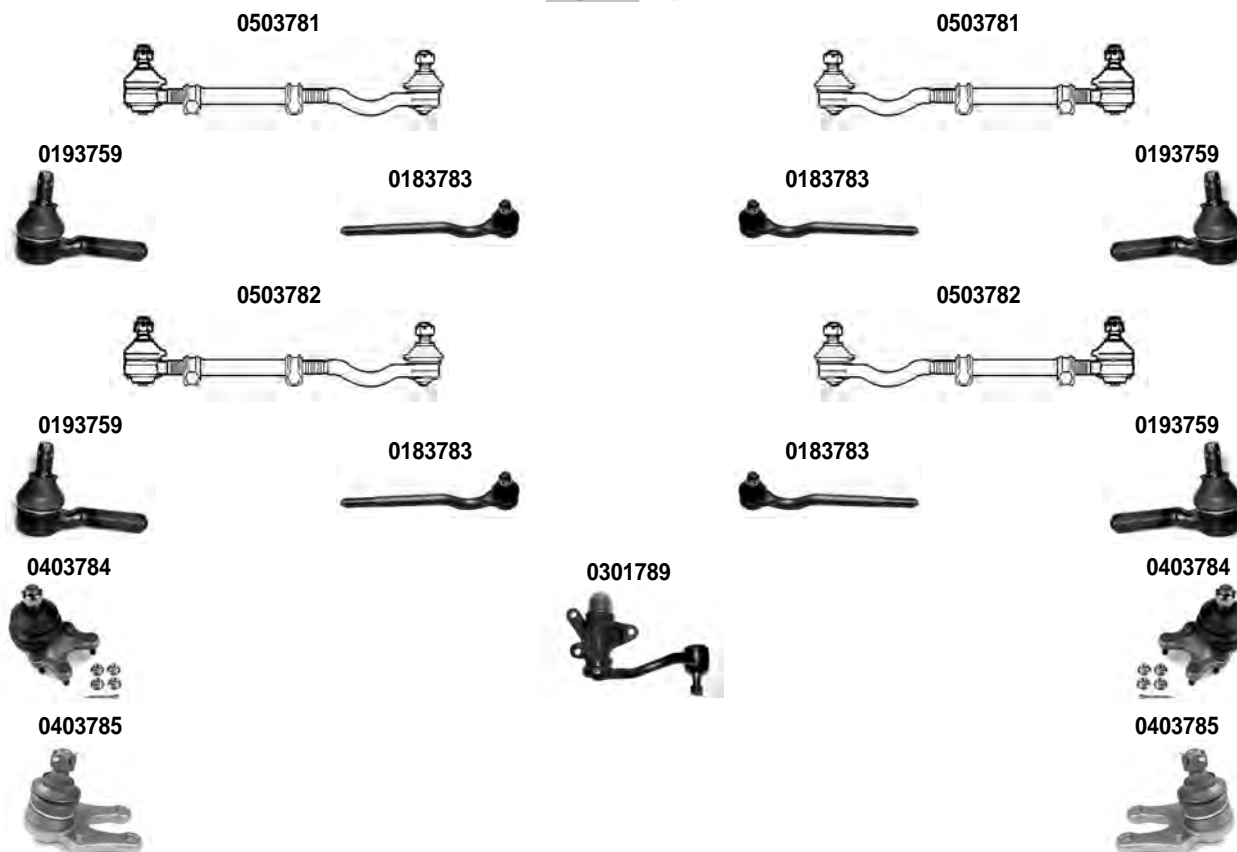
 H5_-H6_-H7_
 H8_

 1982 >
 1985 >

Asse Anteriore



Front Axle



i 1) > 1985 3) ECCETTO SERIE - EXCEPT SERIES : H8_		2) 1985 >	
OCAP	O.E.		i
0183783	45406-29145	TESTA STERZO - INTERNA TIE ROD END - INNER	RHT M17x1,5
0193759	45046-39175	TESTA STERZO - ESTERNA TIE ROD END - OUTER	LHT M17x1,5
0301789	45490-29465	BRACCIO STERZO - L H D L H D - IDELR ARM	3)
0403784	43360-29076	SNODO SOSPENSIONE - SUPERIORE SUSPENSION JOINT - UPPER	
0403785	43330-29125	SNODO SOSPENSIONE - INFERIORE SUSPENSION JOINT - LOWER	
0503781	45460-29265	BARRA STERZO TIE ROD	1)
0503782	45470-29075	BARRA STERZO TIE ROD	2)

DESTRO
RIGHT



SINISTRO
LEFT

HIACE III	_H10_	1989 > 1995
-----------	-------	-------------

Asse Anteriore



Front Axle



OCAP	O.E.			
0282970	45046-29215	TESTA STERZO TIE ROD END		RHT M17x1,5
0402972	43350-29095	SNODO SOSPENSIONE - SUPERIORE SUSPENSION JOINT - UPPER		
0403785	43330-29125	SNODO SOSPENSIONE - INFERIORE SUSPENSION JOINT - LOWER		
0602971	45503-29255	SNODO ASSIALE AXIAL JOINT		RHT M17x1,5
0782972	48610-29085	BRACCIO OSCILLANTE - SUPERIORE TRACK CONTROL ARM - UPPER		
0792972	48610-29075	BRACCIO OSCILLANTE - SUPERIORE TRACK CONTROL ARM - UPPER		

DESTRO
RIGHT

 SINISTRO
LEFT

HIACE IV

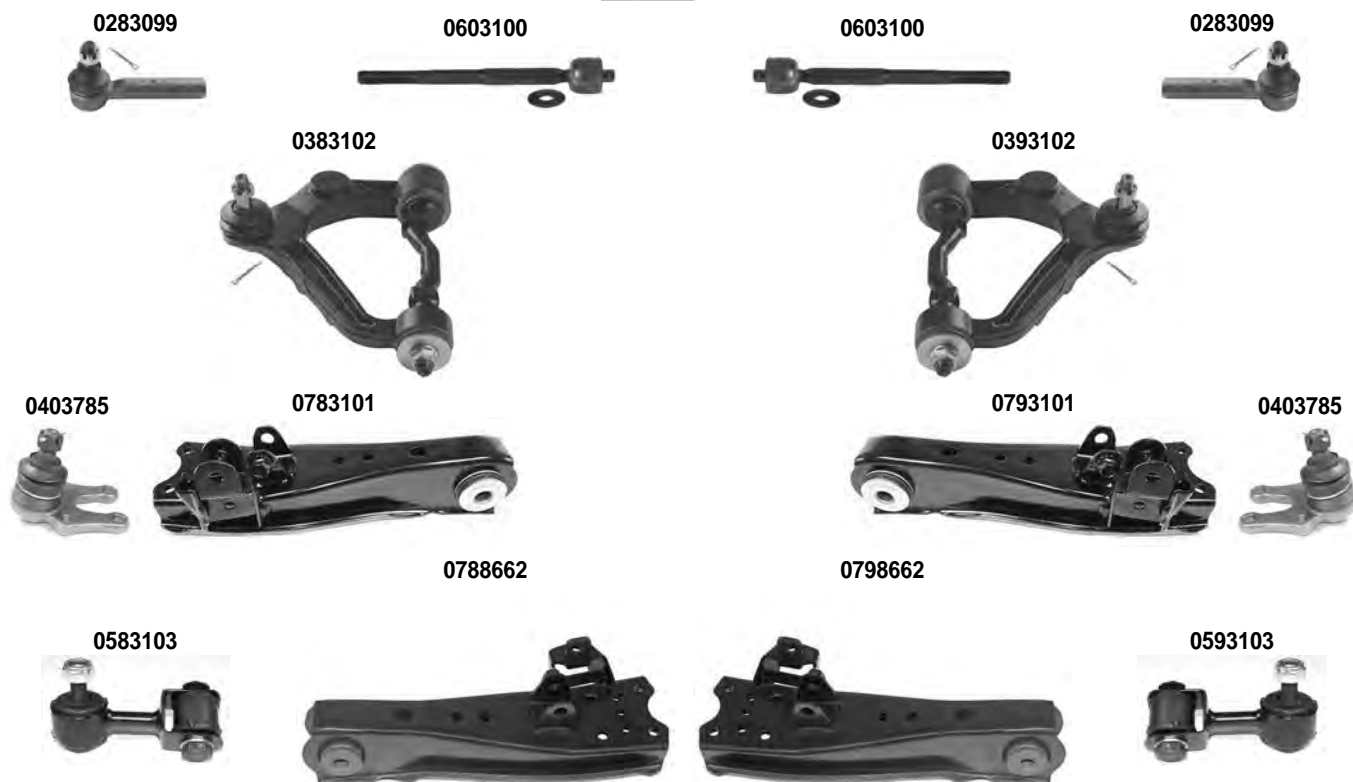
H1-H2-LXH1-RZH1-LH1

08/1995 >

Asse Anteriore



Front Axle



i 1) > 08/2001 3) ECCETTO - EXCEPT: 4X4		2) 08/2001 >		
OCAP	O.E.		i	
0283099	45046-29325	TESTA STERZO TIE ROD END		RHT M15x1,5
0383102	48066-29075	BRACCIO OSCILLANTE - SUPERIORE TRACK CONTROL ARM - UPPER		
0393102	48067-29085	BRACCIO OSCILLANTE - SUPERIORE TRACK CONTROL ARM - UPPER		
0403785	43330-29125	SNODO SOSPENSIONE - INFERIORE SUSPENSION JOINT - LOWER	3)	
0583103	48820-26030	STABILIZZATORE STABILIZER LINK		
0593103	48810-26030	STABILIZZATORE STABILIZER LINK		
0603100	45503-29565	SNODO ASSIALE AXIAL JOINT		RHT M15x1,5
0783101	48068-26070	BRACCIO OSCILLANTE - INFERIORE TRACK CONTROL ARM - LOWER	1) 3)	
0788662	48068-26131	BRACCIO OSCILLANTE - INFERIORE TRACK CONTROL ARM - LOWER	2) 3)	
0793101	48069-26070	BRACCIO OSCILLANTE - INFERIORE TRACK CONTROL ARM - LOWER	1) 3)	
0798662	48069-26131	BRACCIO OSCILLANTE - INFERIORE TRACK CONTROL ARM - LOWER	2) 3)	

DESTRO
RIGHT



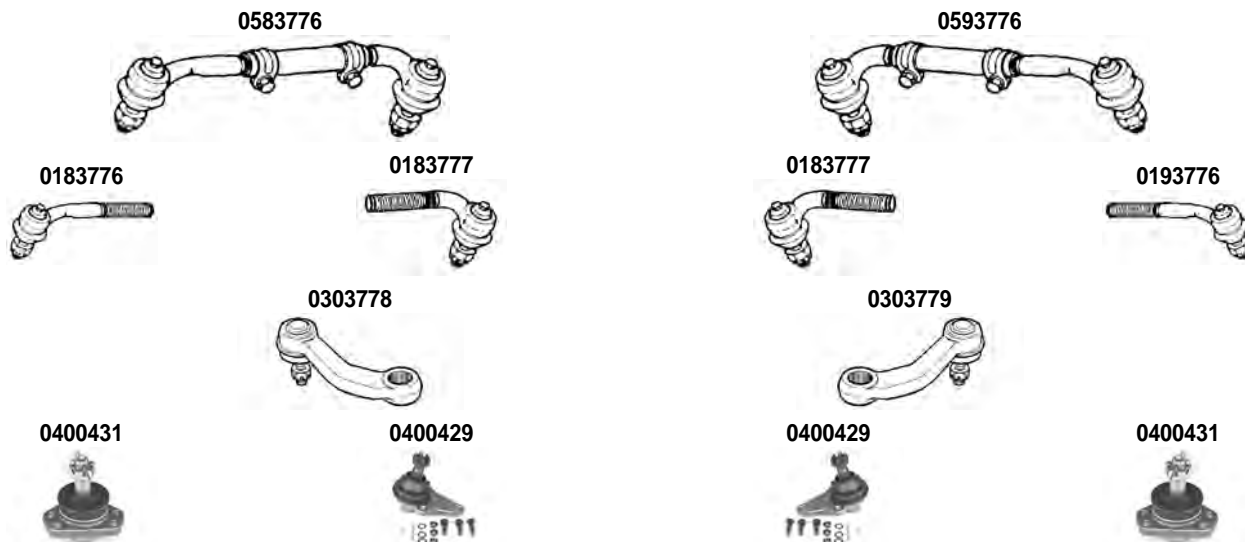
SINISTRO
LEFT

HILUX I-II	RN2	1972 > 1978
------------	-----	-------------

Asse Anteriore



Front Axle



i 1) > 1973	2) 1973 > 1978
--------------------	----------------

OCAP	O.E.		i	
0183776	45046-39085	TESTA STERZO - ESTERNA TIE ROD END - OUTER		LHT M17x1,5
0183777	45406-39065	TESTA STERZO - INTERNA TIE ROD END - INNER		RHT M17x1,5
0193776	45047-39055	TESTA STERZO - ESTERNA TIE ROD END - OUTER		LHT M17x1,5
0303778	45401-39115	LEVA STERZO PITMAN ARM	1)	
0303779	45401-39145	LEVA STERZO PITMAN ARM	2)	
0400429	43340-39075	SNODO SOSPENSIONE - INFERIORE - CON KIT SUSPENSION JOINT INFERIORE - WITH KIT		
0400431	43360-39065	SNODO SOSPENSIONE - SUPERIORE - CON KIT SUSPENSION JOINT - UPPER - WITH KIT		
0583776	45460-39065	BARRA STERZO TIE ROD		
0593776	45470-39035	BARRA STERZO TIE ROD		

DESTRO
RIGHT



SINISTRO
LEFT

HILUX III PICK-UP

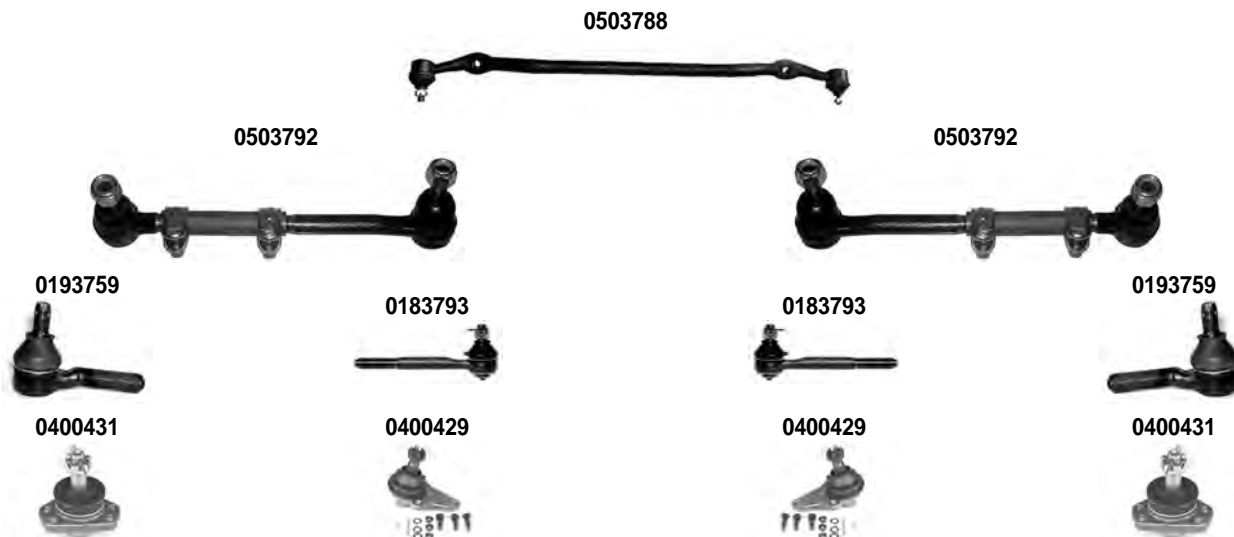
RN - LN



1978 > 1983

Asse Anteriore



Front Axle



OCAP	O.E.		
0183793	45406-39125	TESTA STERZO - INTERNA TIE ROD END - INNER	RHT M17x1,5
0193759	45046-39175	TESTA STERZO - ESTERNA TIE ROD END - OUTER	LHT M17x1,5
0400429	43340-39075	SNODO SOSPENSIONE - INFERIORE - CON KIT SUSPENSION JOINT INFERIORE - WITH KIT	
0400431	43360-39065	SNODO SOSPENSIONE - SUPERIORE - CON KIT SUSPENSION JOINT - UPPER - WITH KIT	
0503788	45450-39065	BARRA STERZO - R H D TIE ROD - R H D	
0503792	45460-39225	BARRA STERZO TIE ROD	

HILUX IV-V-VI PICK-UP

DESTRO
RIGHT



SINISTRO
LEFT

HILUX IV-V-VI PICK-UP

LN5-YN5-LN6-YN6-RN5-RN6

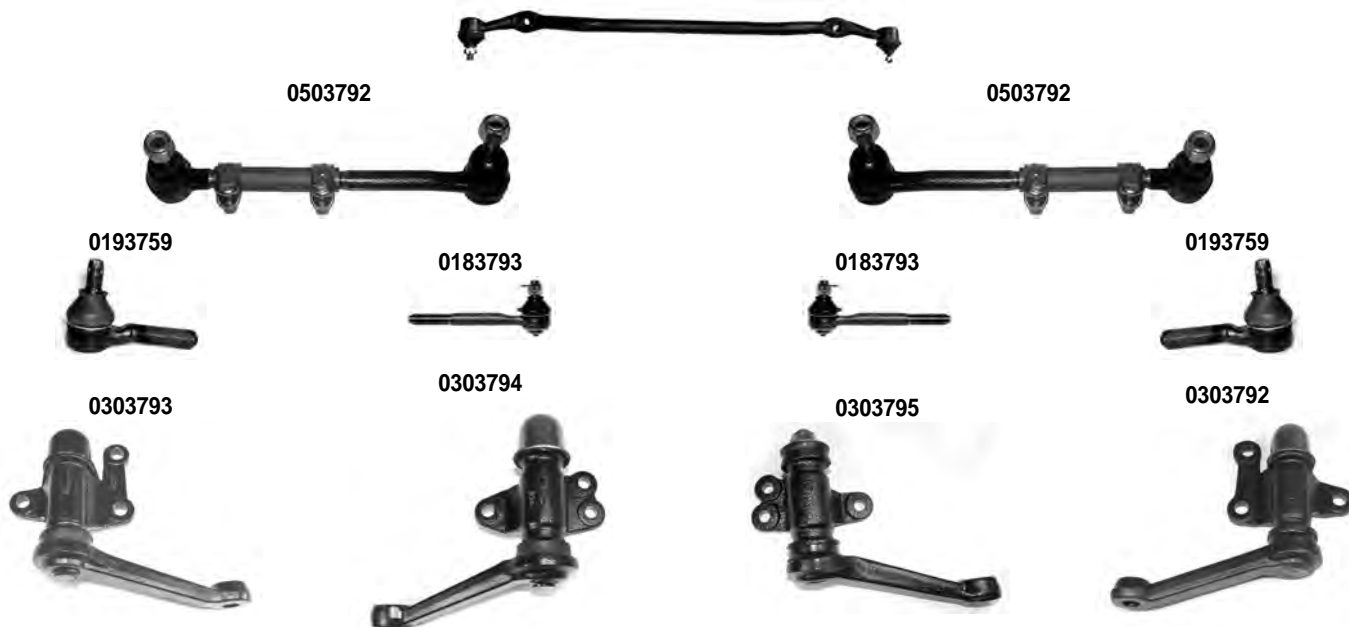
1983 > 2005

Asse Anteriore



Front Axle

0503791



i	1) MOD. USA	2) SERVOSTERZO - POWER STEERING
	3) SOLO PER - ONLY FOR : MOD. 2.5 D-4D	
	5) SOLO PER SERIE- ONLY FOR SERIES V-VI	
	4) 2001 >	

OCAP	O.E.		i	
0183793	45406-39125	TESTA STERZO - INTERNA TIE ROD END - INNER		RHT M17x1,5
0193759	45046-39175	TESTA STERZO - ESTERNA TIE ROD END - OUTER		LHT M17x1,5
0303792	45490-39475	BRACCIO STERZO - L H D IDLER ARM - L H D	3) 4)	
0303793	45490-39305	BRACCIO STERZO - R H D IDLER ARM - R H D	5)	
0303794	45490-35140	BRACCIO STERZO - L H D IDLER ARM - L H D		
0303795	45490-35130	BRACCIO STERZO - R H D IDLER ARM - R H D		
0503791	45450-39145	BARRA STERZO TIE ROD	1) 2)	
0503792	45460-39225	BARRA STERZO TIE ROD		

DESTRO
RIGHT

 SINISTRO
LEFT

HILUX IV-V-VI PICK-UP

LN5-YN5-LN6-YN6-RN5-RN6

1983 > 2005

Asse Anteriore



Front Axle

0400430

0400430

0400428

0403766

0403766

0400428

0403715

0783799

0793799

0403715

i 6) > 1989
8) 1998 >

7) 1989 > 1998

OCAP	O.E.		i	
0400428	43330-39165	SNODO SOSPENSIONE - INFERIORE - CON KIT SUSPENSION JOINT - LOWER - WITH KIT	6)	
0400430	43350-39075	SNODO SOSPENSIONE - SUPERIORE - CON KIT SUSPENSION JOINT - UPPER - WITH KIT		
0403715	43330-39295	SNODO SOSPENSIONE - INFERIORE - CON KIT SUSPENSION JOINT - LOWER - WITH KIT	8)	
0403766	43340-39235	SNODO SOSPENSIONE - INFERIORE - CON KIT SUSPENSION JOINT - LOWER - WITH KIT	7)	
0783799	48605-35030	BRACCIO OSCILLANTE - INFERIORE TRACK CONTROL ARM - LOWER		
0793799	48606-35030	BRACCIO OSCILLANTE - INFERIORE TRACK CONTROL ARM - LOWER		

HILUX IV-V-VI PICK-UP 4WD

DESTRO
RIGHT



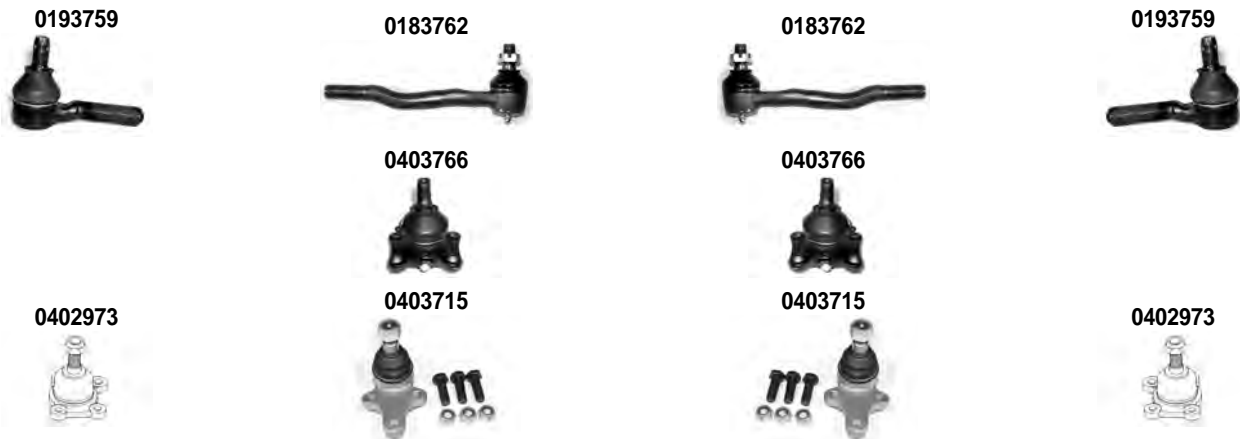
SINISTRO
LEFT

HILUX IV-V-VI PICK-UP 4WD	LN5-YN5-LN6-YN6-RN5-RN6	1985 > 2005
---------------------------	-------------------------	-------------

Asse Anteriore



Front Axle



i 1) > 1989 3) 1998 >	2) 1989 > 1998
---------------------------------	----------------

OCAP	O.E.		i	
0183762	45406-39175	TESTA STERZO - INTERNA TIE ROD END - INNER		RHT M17x1,5
0193759	45046-39175	TESTA STERZO TIE ROD END		LHT M17x1,5
0402973	43330-39315	SNODO SOSPENSIONE - INFERIORE SUSPENSION JOINT - LOWER	2)	
0403715	43330-39295	SNODO SOSPENSIONE - INFERIORE SUSPENSION JOINT - LOWER	3)	
0403766	43340-39235	SNODO SOSPENSIONE - INFERIORE SUSPENSION JOINT - LOWER	1)	

DESTRO
RIGHT



SINISTRO
LEFT

HILUX VII PICK-UP

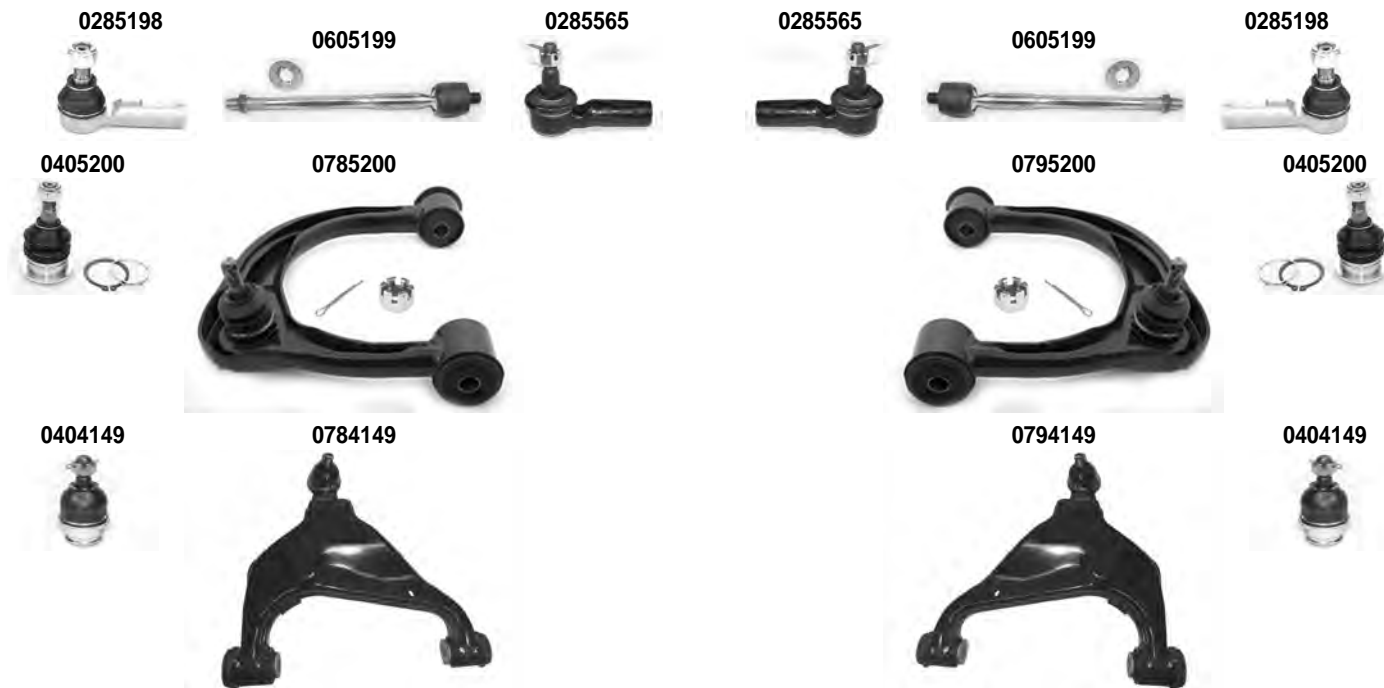
N1 - N2 - N3

08/2005 > 2015

Asse Anteriore



Front Axle



i 1) SOLO PER - ONLY FOR : MOD. 4WD 2) SOLO PER - ONLY FOR : MOD. 2WD

OCAP	O.E.		i	
0285198	45046-09281	TESTA STERZO TIE ROD END	1)	RHT M14x1,5
0285565	45046-09251	TESTA STERZO TIE ROD END	2)	RHT M14x1,5
0404149	43330-09510	SNODO SOSPENSIONE - INFERIORE BALL JOINT - LOWER	1)	
0405200	43310-09015	SNODO SOSPENSIONE - SUPERIORE SUSPENSION JOINT - UPPER	1)	
0605199	45503-09321	SNODO ASSIALE AXIAL JOINT		RHT M14x1,5
0784149	48068-0K040	BRACCIO OSCILLANTE - INFERIORE TRACK CONTROL ARM - LOWER	1)	
0785200	48610-0K040	BRACCIO OSCILLANTE - SUPERIORE TRACK CONTROL ARM - UPPER	1)	
0794149	48069-0K040	BRACCIO OSCILLANTE - INFERIORE TRACK CONTROL ARM - LOWER	1)	
0795200	48630-0K040	BRACCIO OSCILLANTE - SUPERIORE TRACK CONTROL ARM - UPPER	1)	

HILUX VII PICK-UP

DESTRO
RIGHT



SINISTRO
LEFT

HILUX VII PICK-UP

N1 - N2 - N3

08/2005 > 2015

Asse Anteriore



Front Axle

0788687



0798687



0788686



0798686



0505567



0584562



0594562



0505567



i 3) ECCE TTO - EXCEPT - MOD. 4WD

OCAP	O.E.		i	
0505567	48820-0K010	STABILIZZATORE STABILIZER LINK	3)	
0584562	48820-60050	STABILIZZATORE STABILIZER LINK	1)	
0594562	48810-60040	STABILIZZATORE STABILIZER LINK	1)	
0788686	48068-0K010	BRACCIO OSCILLANTE - INFERIORE TRACK CONTROL ARM - LOWER	2)	
0788687	48610-0K010	BRACCIO OSCILLANTE - SUPERIORE TRACK CONTROL ARM - UPPER	2)	
0798686	48069-0K010	BRACCIO OSCILLANTE - INFERIORE TRACK CONTROL ARM - LOWER	2)	
0798687	48630-0K010	BRACCIO OSCILLANTE - SUPERIORE TRACK CONTROL ARM - UPPER	2)	

DESTRO
RIGHT



SINISTRO
LEFT

HILUX VIII PICK-UP

N1

05/2015 >

Asse Anteriore



Front Axle

0288850



0288850



0405200



0785200



0795200



0405200



0404149



0404149



0584562



0594562



OCAP	O.E.			
0288850	45046-09800	TESTA STERZO TIE ROD END		
0404149	43330-09510	SNODO SOSPENSIONE - INFERIORE BALL JOINT - LOWER		
0405200	43310-09015	SNODO SOSPENSIONE - SUPERIORE SUSPENSION JOINT - UPPER		
0584562	48820-60050	STABILIZZATORE STABILIZER LINK		
0594562	48810-60040	STABILIZZATORE STABILIZER LINK		
0785200	48610-0K040	BRACCIO OSCILLANTE - SUPERIORE TRACK CONTROL ARM - UPPER		
0795200	48630-0K040	BRACCIO OSCILLANTE - SUPERIORE TRACK CONTROL ARM - UPPER		

DESTRO
RIGHT



SINISTRO
LEFT

LAND CRUISER

FJ4-FJ5-BJ4

1964 > 1984

Asse Anteriore

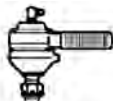


Front Axle

0180971



0190971



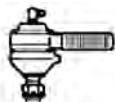
0190971



0180971



0180973



0180973



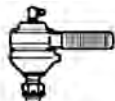
0190973



0193733



0190972



0190972



OCAP	O.E.			
0180971	45046-69025	TESTA STERZO TIE ROD END		RHT M17x1,5
0180973	45046-69035	TESTA STERZO TIE ROD END		RHT M21x1,5
0190971	45045-60H00	TESTA STERZO TIE ROD END		LHT M17x1,5
0190972	45047-60H00	TESTA STERZO TIE ROD END		LHT M17x1,5
0190973	45046-69055	TESTA STERZO - L H D TIE ROD END - L H D		LHT M21x1,5
0193733	45046-69045	TESTA STERZO - R H D TIE ROD END - R H D		RHT M21x1,5

DESTRO
RIGHT



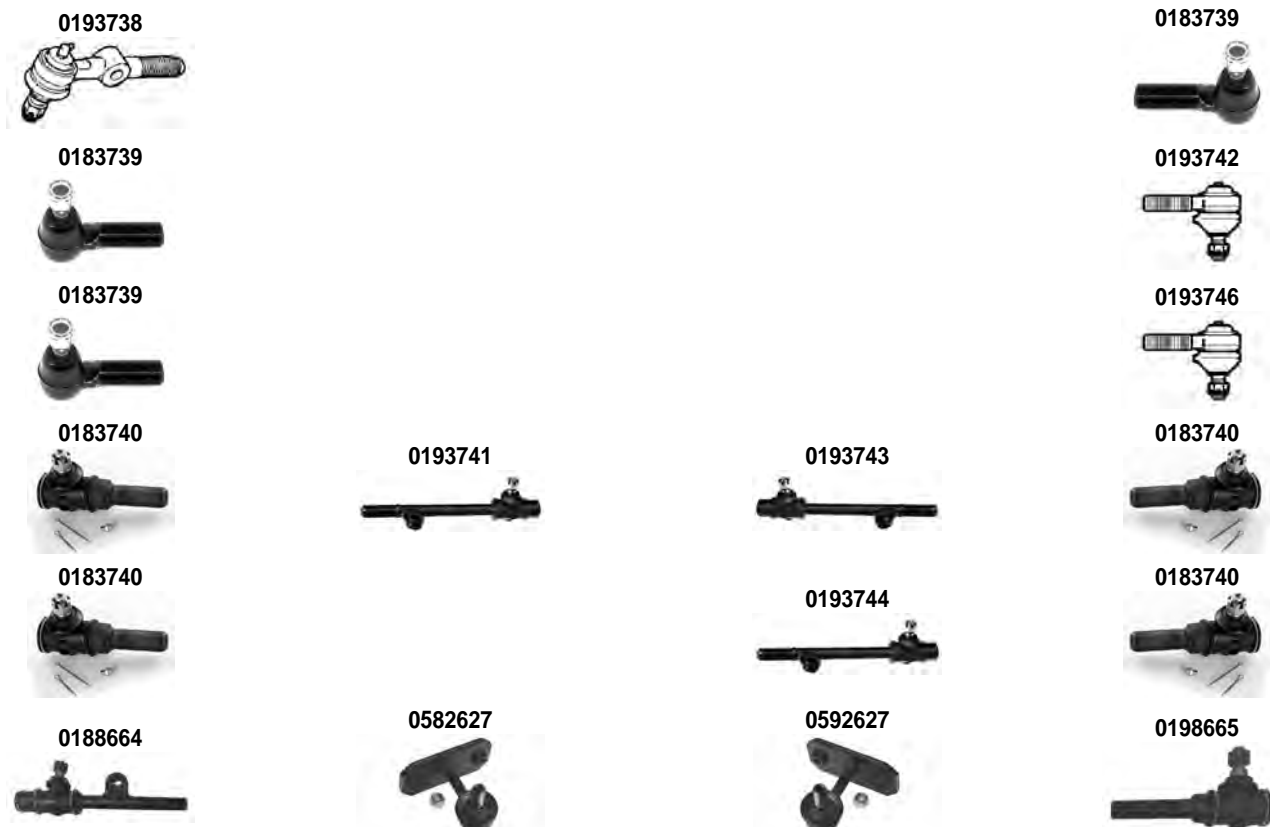
SINISTRO
LEFT

LAND CRUISER	BJ6-FJ6-HJ6 BJ7-FJ7-HJ75 RJ70-LJ70-LJ71	1980 > 1990 1980 > 1990 1980 > 1990
---------------------	---	---

Asse Anteriore



Front Axle



i 1) SOLO - ONLY : BJ6-FJ6-HJ6-BJ7-FJ7-HJ75 3) SOLO - ONLY : BJ6-FJ6-HJ6 5) SOLO - ONLY: J 7 (BJ-LJ-RJ)	2) SOLO - ONLY : RJ70-LJ70-LJ71 4) SOLO - ONLY : BJ7-FJ7-HJ75 6) SOLO - ONLY: J7 (HZJ)
--	--

OCAP	O.E.		i	
0183739	45047-69065	TESTA STERZO - L H D TIE ROD END - L H D		RHT M23x1,5
0183740	45045-69045	TESTA STERZO DI COLLEGAMENTO - L H D RELAY ROD END - L H D	1)	RHT M21x1,5
0188664	45044-69075	TESTA STERZO DI COLLEGAMENTO RELAY ROD END	5)	LHT M21x1,5
0193738	45046-69116	TESTA STERZO - L H D TIE ROD END - L H D	1)	LHT M23x1,5
0193741	45044-69055	TESTA STERZO DI COLLEGAMENTO - L H D RELAY ROD END - L H D	3)	LHT M21x1,5
0193742	45046-69105	TESTA STERZO - R H D TIE ROD END - R H D	1)	LHT M23x1,5
0193743	45044-69065	TESTA STERZO DI COLLEGAMENTO - R H D RELAY ROD END - R H D	3)	LHT M21x1,5
0193744	45044-69085	TESTA STERZO DI COLLEGAMENTO - L H D RELAY ROD END - L H D	4)	LHT M21x1,5
0193746	45046-60H03	TESTA STERZO TIE ROD END	2)	LHT M23x1,5
0198665	45045-69046	TESTA STERZO DI COLLEGAMENTO RELAY ROD END	6)	RHT M21x1,5
0582627	48820-60010	STABILIZZATORE STABILIZER LINK		
0592627	48810-60010	STABILIZZATORE STABILIZER LINK		

DESTRO
RIGHT



SINISTRO
LEFT

LAND CRUISER 80

FJ80-HDJ81-HZJ81-FZJ80

01/1990 > 01/1998

Asse Anteriore



Front Axle

0182965



0182967



0182967



0192966



0192968



0192969



i 1) L H D LATO DESTRO - R H D LATO SINISTRO - L H D RIGHT SIDE - R H D LEFT SIDE

OCAP	O.E.		i	
0182965	45046-69135	TESTA STERZO TIE ROD END		LHT M23x1,5
0182967	45045-69065	TESTA STERZO TIE ROD END	1)	RHT M21x1,5
0192966	45047-69085	TESTA STERZO TIE ROD END		LHT M23x1,5
0192968	45044-69125	TESTA STERZO - L H D TIE ROD END - L H D		LHT M21x1,5
0192969	45044-69115	TESTA STERZO - R H D TIE ROD END - R H D		LHT M21x1,5

DESTRO
RIGHT



SINISTRO
LEFT

LAND CRUISER 90

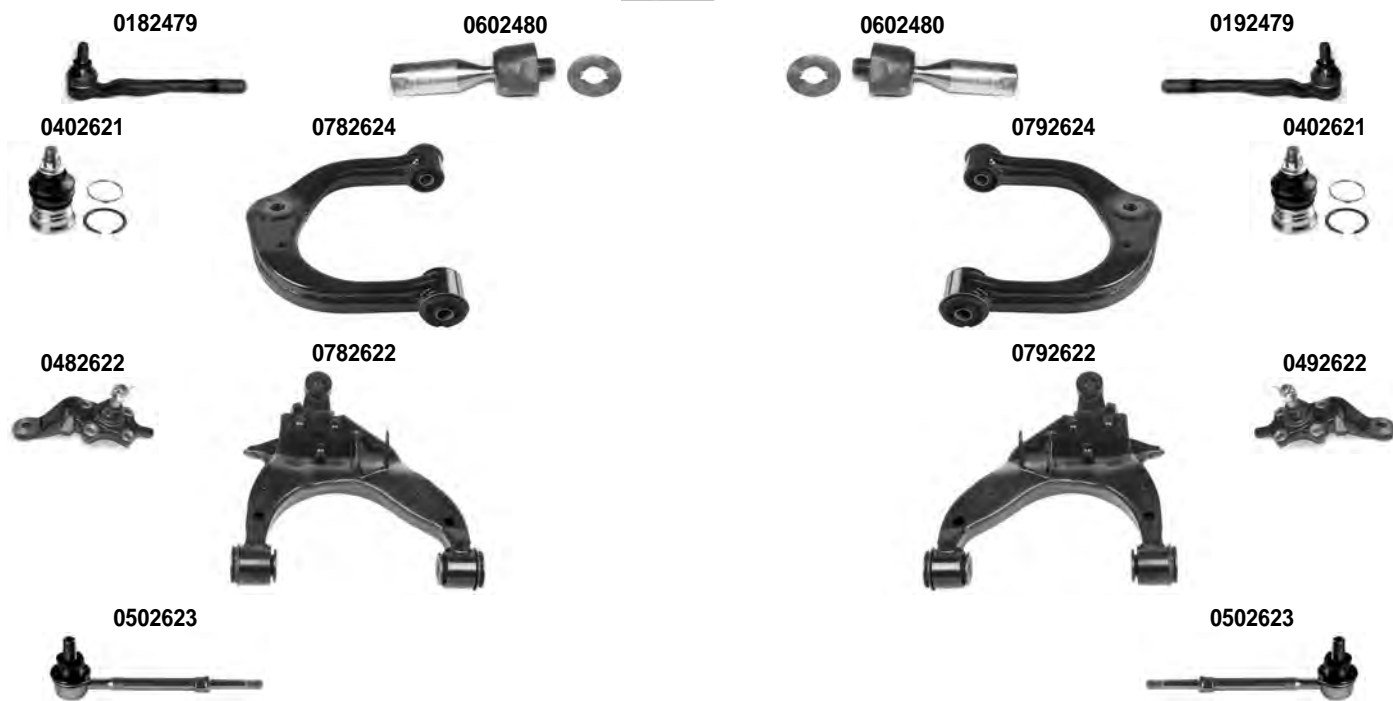
J9

1996 >

Asse Anteriore



Front Axle



Asse Posteriore



Rear Axle



OCAP	O.E.		
0182479	45046-39335	TESTA STERZO TIE ROD END	RHT M20x1,5
0192479	45047-39215	TESTA STERZO TIE ROD END	RHT M20x1,5
0402621	43310-39016	SNODO SOSPENSIONE - SUPERIORE SUSPENSION JOINT - UPPER	
0482622	43330-39415	SNODO SOSPENSIONE - INFERIORE BALL JOINT - LOWER	
0492622	43340-39325	SNODO SOSPENSIONE - INFERIORE BALL JOINT - LOWER	
0502623	48820-35030	STABILIZZATORE STABILIZER LINK	
0502624	48830-35020	STABILIZZATORE STABILIZER LINK	
0602480	45503-39075	SNODO ASSIALE AXIAL JOINT	RHT M20x1,5
0782622	48068-35080	BRACCIO OSCILLANTE - INFERIORE TRACK CONTROL ARM - LOWER	
0782624	48610-35040	BRACCIO OSCILLANTE - SUPERIORE TRACK CONTROL ARM - UPPER	
0792622	48069-35080	BRACCIO OSCILLANTE - INFERIORE TRACK CONTROL ARM - LOWER	
0792624	48630-35020	BRACCIO OSCILLANTE - SUPERIORE TRACK CONTROL ARM - UPPER	

DESTRO
RIGHT



SINISTRO
LEFT

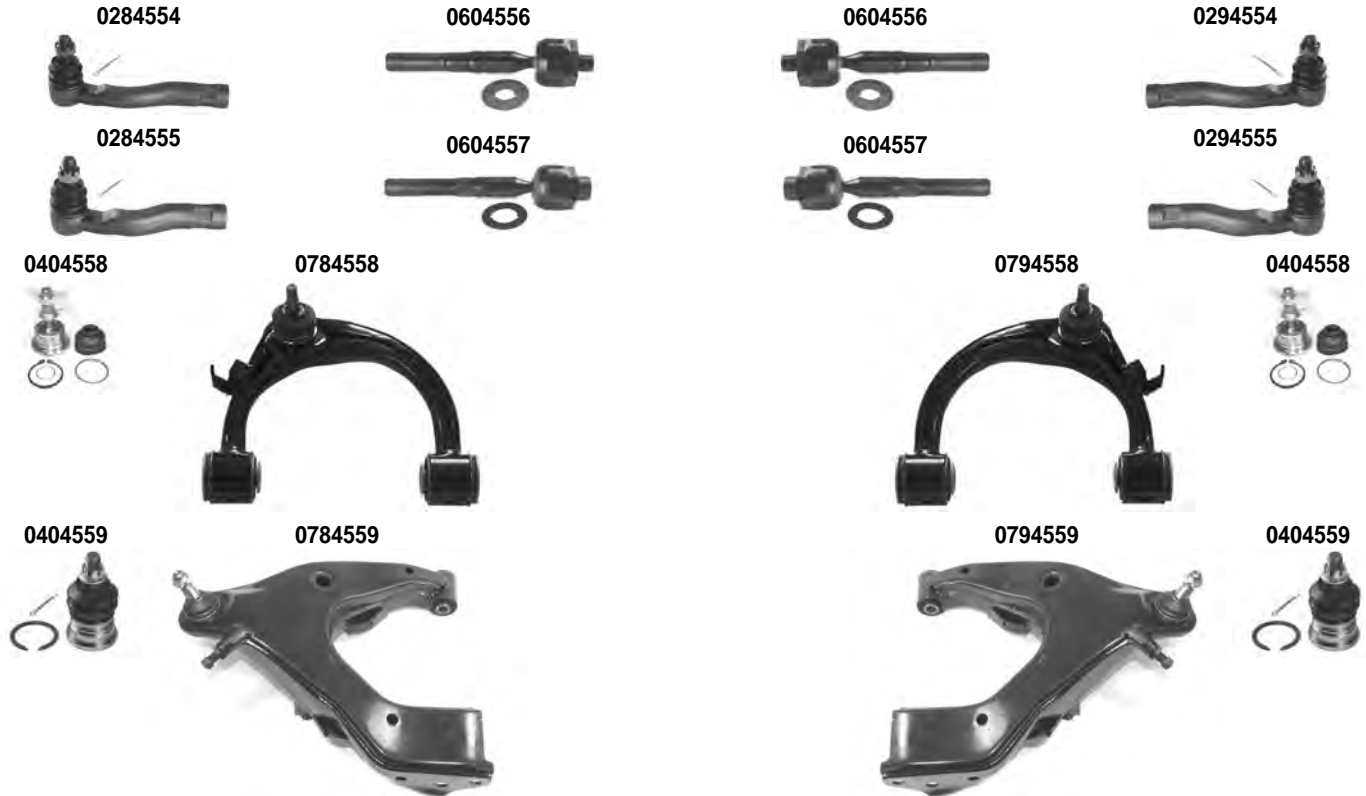
LAND CRUISER 100

J10

01/1998 >

Asse Anteriore

Front Axle



i 1) > 08/2002 2) 09/2002 >

OCAP	O.E.		i	
0284554	45046-69195	TESTA STERZO TIE ROD END	1)	RHT M20x1,5
0284555	45046-69205	TESTA STERZO TIE ROD END	2)	RHT M20x1,5
0294554	45047-69100	TESTA STERZO TIE ROD END	1)	RHT M20x1,5
0294555	45047-69115	TESTA STERZO TIE ROD END	2)	RHT M20x1,5
0404558	43310-60010	SNODO SOSPENSIONE - SUPERIORE SUSPENSION JOINT - UPPER		
0404559	48620-60010 *	SNODO SOSPENSIONE - INFERIORE BALL JOINT - LOWER		
0604556	45503-69015	SNODO ASSIALE AXIAL JOINT	1)	RHT M20x1,5
0604557	45503-69025	SNODO ASSIALE AXIAL JOINT	2)	RHT M20x1,5
0784558	48610-60030	BRACCIO OSCILLANTE - SUPERIORE TRACK CONTROL ARM - UPPER		
0784559	48620-60010	BRACCIO OSCILLANTE - INFERIORE TRACK CONTROL ARM - LOWER		
0794558	48630-60010	BRACCIO OSCILLANTE - SUPERIORE TRACK CONTROL ARM - UPPER		
0794559	48640-60010	BRACCIO OSCILLANTE - INFERIORE TRACK CONTROL ARM - LOWER		

DESTRO
RIGHT



SINISTRO
LEFT

LAND CRUISER 120

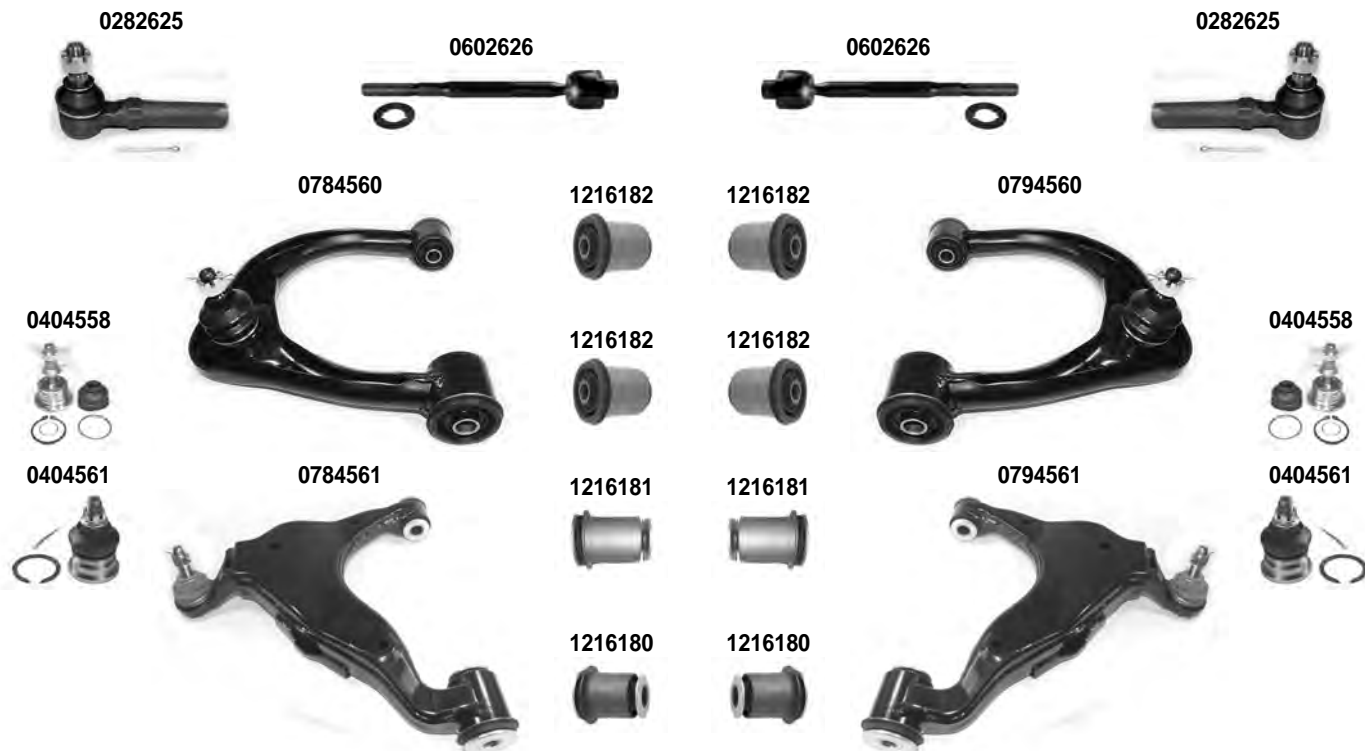
J12



09/2002 >

Asse Anteriore



Front Axle



OCAP	O.E.		
0282625	45046-39505	TESTA STERZO TIE ROD END	RHT M15x1,5
0404558	43310-60010	SNODO SOSPENSIONE - SUPERIORE SUSPENSION JOINT - UPPER	
0404561	48068-60010 *	SNODO SOSPENSIONE - INFERIORE BALL JOINT - LOWER	
0602626	45503-39235	SNODO ASSIALE AXIAL JOINT	RHT M15x1,5
0784560	48610-60050	BRACCIO OSCILLANTE - SUPERIORE TRACK CONTROL ARM - UPPER	
0784561	48068-60010	BRACCIO OSCILLANTE - INFERIORE TRACK CONTROL ARM - LOWER	
0794560	48630-60020	BRACCIO OSCILLANTE - SUPERIORE TRACK CONTROL ARM - UPPER	
0794561	48069-60010	BRACCIO OSCILLANTE - INFERIORE TRACK CONTROL ARM - LOWER	
1216180	48654-60030	SILENTBLOCK BUSHING	
1216181	48655-60030	SILENTBLOCK BUSHING	
1216182	48632-60020	SILENTBLOCK BUSHING	

DESTRO
RIGHT



SINISTRO
LEFT

LAND CRUISER 120	J12	09/2002 >
------------------	-----	-----------

Asse Anteriore



Front Axle

0584562



0594562



Asse Posteriore



Rear Axle

0504563



0504563



OCAP	O.E.			
0504563	48830-60030	STABILIZZATORE STABILIZER LINK		
0584562	48820-60050	STABILIZZATORE STABILIZER LINK		
0594562	48810-60040	STABILIZZATORE STABILIZER LINK		

DESTRO
RIGHT

 SINISTRO
LEFT

LITEACE VAN - LITEACE WAGON

KM21V-YM20-CM20

1982 > 1985

Asse Anteriore



Front Axle

0190748

0183633

0183633




0190748

0402974

0403758

0403758

0402974


OCAP	O.E.			
0183633	45406-19075	TESTA STERZO - INTERNA <i>TIE ROD END - INNER</i>		RHT M14x1,5
0190748	45046-29075	TESTA STERZO - ESTERNA <i>TIE ROD END - OUTER</i>		LHT M14x1,5
0402974	43360-29056	SNODO SOSPENSIONE - SUPERIORE <i>SUSPENSION JOINT - UPPER</i>		
0403758	43340-29095	SNODO SOSPENSIONE - INFERIORE <i>SUSPENSION JOINT - LOWER</i>		

DESTRO
RIGHT



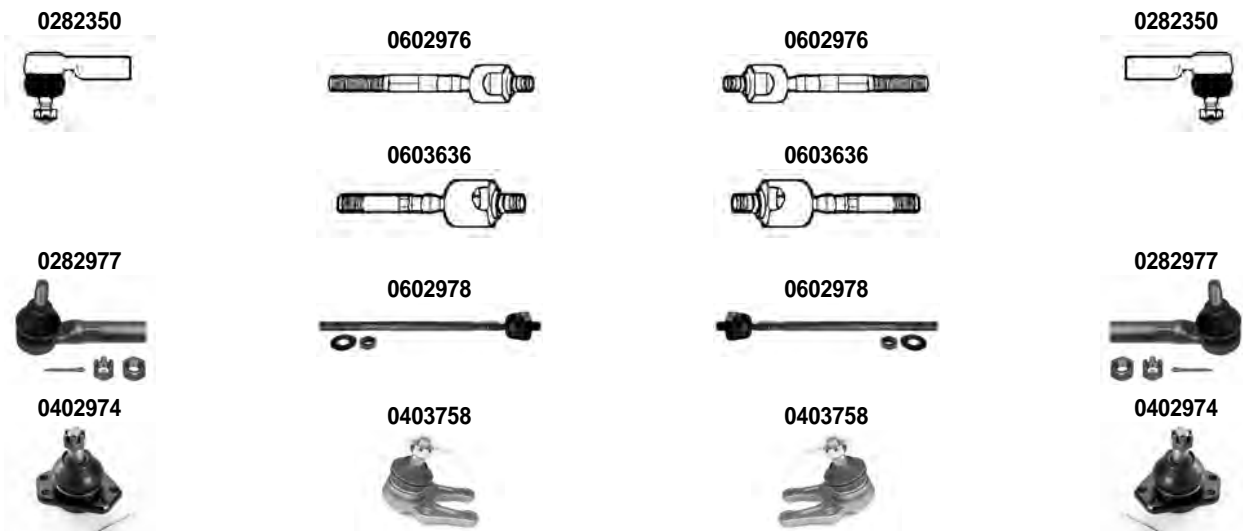
SINISTRO
LEFT

LITEACE	KM30-CM30-YM30	1985 > 1992
---------	----------------	-------------

Asse Anteriore



Front Axle



i	1) > 07/1988	2) 08/1988 >
	3) 1988 >	4) STERZO MANUALE - MANUAL STEERING
5) SERVOSTERZO - POWER STEERING		

OCAP	O.E.		i	
0282350	45460-29315	TESTA STERZO TIE ROD END	1)	RHT M14x1,5
0282977	45046-29185	TESTA STERZO TIE ROD END	2)	
0402974	43360-29056	SNODO SOSPENSIONE - SUPERIORE SUSPENSION JOINT - UPPER	2)	
0403758	43340-29095	SNODO SOSPENSIONE - INFERIORE SUSPENSION JOINT - LOWER	2)	
0602976	45503-29135	SNODO ASSIALE AXIAL JOINT	3) 4)	RHT M14x1,5
0602978	45503-29215	SNODO ASSIALE AXIAL JOINT	3) 4)	
0603636	45503-29125	SNODO ASSIALE AXIAL JOINT	3) 5)	RHT M14x1,5

DESTRO
RIGHT

 SINISTRO
LEFT

MR 2

W1

11/1984 > 06/1990

Asse Anteriore



Front Axle

0283638

0603105

0603105

0283638

0403678

0403678

0503110

0503110


Asse Posteriore



Rear Axle

0503111

0503112

0503112

0503111

i 1) > 08/1986

OCAP	O.E.		i	
0283638	45046-29135	TESTA STERZO TIE ROD END		RHT M12x1,25
0403678	43330-19025	SNODO SOSPENSIONE - INFERIORE SUSPENSION JOINT - LOWER		
0503110	48820-17010	STABILIZZATORE STABILIZER LINK		
0503111	48830-17010	STABILIZZATORE STABILIZER LINK	1)	
0503112	48830-17020	STABILIZZATORE STABILIZER LINK	1)	
0603105	45503-19066	SNODO ASSIALE AXIAL JOINT		RHT M12x1,25

DESTRO
RIGHT



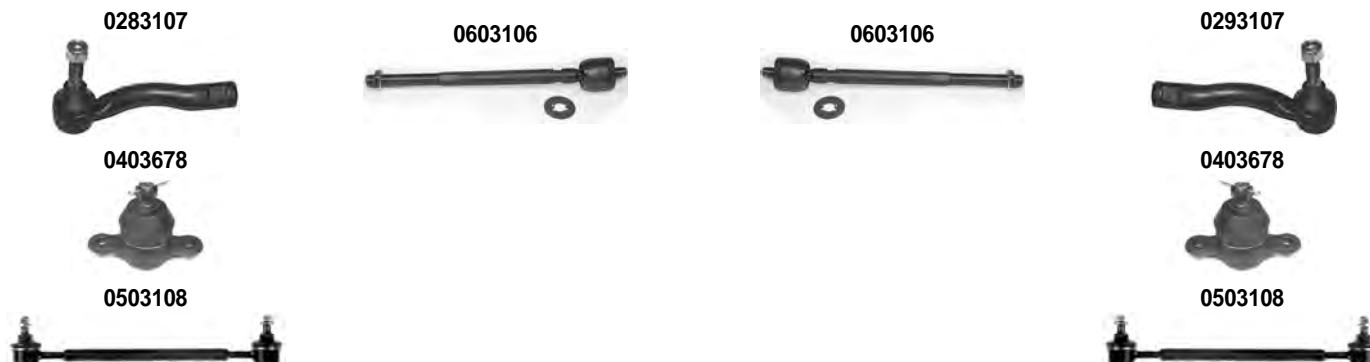
SINISTRO
LEFT

MR 2	W2	12/1989 > 05/2000
------	----	-------------------

Asse Anteriore



Front Axle



Asse Posteriore



Rear Axle



OCAP	O.E.			
0283107	45046-19195	TESTA STERZO TIE ROD END		RHT M14x1,5
0293107	45047-19075	TESTA STERZO TIE ROD END		RHT M14x1,5
0403678	43330-19025	SNODO SOSPENSIONE - INFERIORE SUSPENSION JOINT - LOWER		
0503108	48820-17020	STABILIZZATORE STABILIZER LINK		
0503109	48830-17030	STABILIZZATORE STABILIZER LINK		
0603106	45503-19145	SNODO ASSIALE AXIAL JOINT		

DESTRO
RIGHT



SINISTRO
LEFT

PASEO

EL54

08/1995 > 12/1999

Asse Anteriore



Front Axle

0283731



0602963



0602963



0283731





0482964



0492964



OCAP	O.E.		
0283731	45046-19205	TESTA STERZO TIE ROD END	RHT M12x1,25
0482964	43330-19085	SNODO SOSPENSIONE - INFERIORE SUSPENSION JOINT - LOWER	
0492964	43340-19025	SNODO SOSPENSIONE - INFERIORE SUSPENSION JOINT - LOWER	
0602963	45503-19155	SNODO ASSIALE AXIAL JOINT	RHT M12x1,25

DESTRO
RIGHT

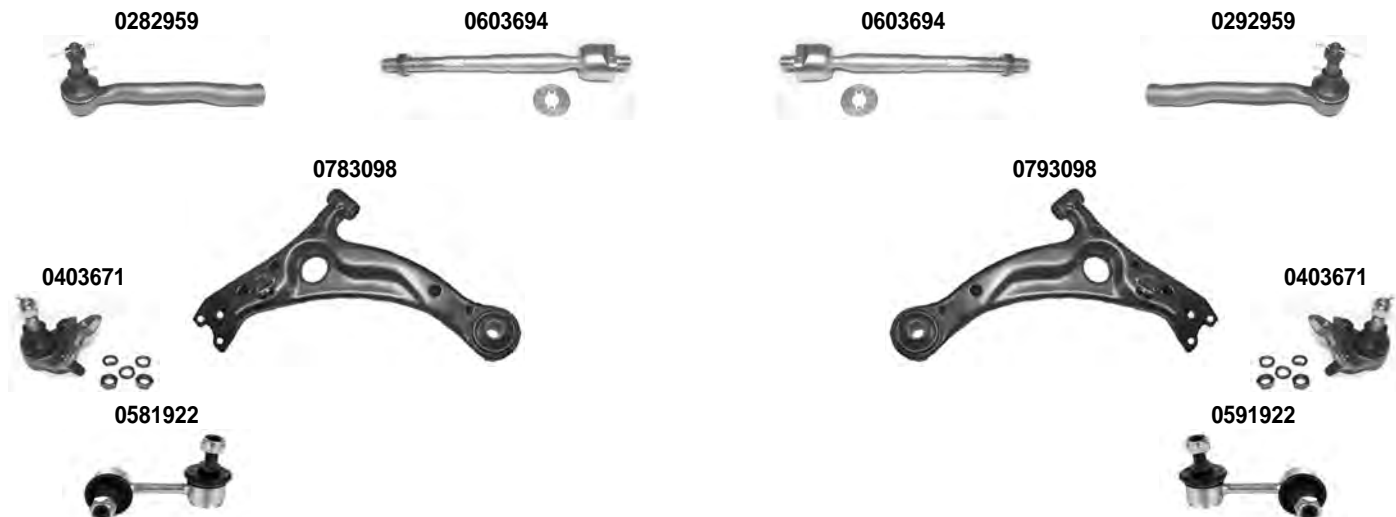


SINISTRO
LEFT

PICNIC	XM10	1996 > 2000
--------	------	-------------

Asse Anteriore

Front Axle



OCAP	O.E.		
0282959	45046-29335	TESTA STERZO TIE ROD END	RHT M15x1,5
0292959	45047-29105	TESTA STERZO TIE ROD END	RHT M15x1,5
0403671	43330-29265	SNODO SOSPENSIONE - INFERIORE SUSPENSION JOINT - LOWER	
0581922	48820-05012	STABILIZZATORE STABILIZER LINK	
0591922	48810-05012	STABILIZZATORE STABILIZER LINK	
0603694	45503-29435	SNODO ASSIALE AXIAL JOINT	RHT M15x1,5
0783098	48068-44010	BRACCIO OSCILLANTE TRACK CONTROL ARM	
0793098	48069-44010	BRACCIO OSCILLANTE TRACK CONTROL ARM	

DESTRO
RIGHT



SINISTRO
LEFT

PREVIA	TCR1_2_	05/1990 > 08/2000
--------	---------	-------------------

Asse Anteriore



Front Axle

0284321



0404324



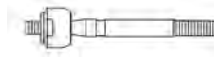
0584323



0604322



0604322



0294321



0404324



0594323



OCAP	O.E.		i	
0284321	45046-29235	TESTA STERZO TIE ROD END		RHT M14x1,5
0294321	45047-29065	TESTA STERZO TIE ROD END		RHT M14x1,5
0404324	43330-29235	SNODO SOSPENSIONE - INFERIORE SUSPENSION JOINT - LOWER		
0584323	48820-28010	STABILIZZATORE STABILIZER LINK		
0594323	48810-28010	STABILIZZATORE STABILIZER LINK		
0604322	45503-29295	SNODO ASSIALE AXIAL JOINT		RHT M14x1,5

DESTRO
RIGHT



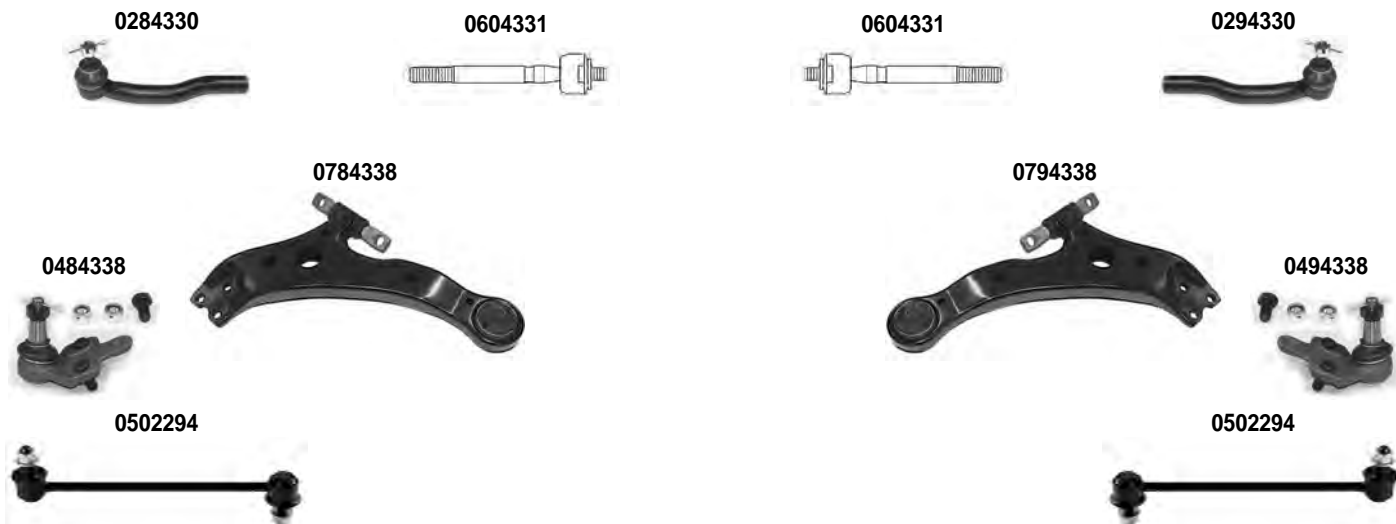
SINISTRO
LEFT

PREVIA	ACR3	08/2000 >
--------	------	-----------

Asse Anteriore



Front Axle



OCAP	O.E.			
0284330	45460-29425	TESTA STERZO TIE ROD END		RHT M15x1,5
0294330	45470-29185	TESTA STERZO TIE ROD END		RHT M15x1,5
0484338	43330-29405	SNODO SOSPENSIONE - INFERIORE SUSPENSION JOINT - LOWER		
0494338	43340-29175	SNODO SOSPENSIONE - INFERIORE SUSPENSION JOINT - LOWER		
0502294	48820-28050	STABILIZZATORE STABILIZER LINK		
0604331	45504-28030	SNODO ASSIALE AXIAL JOINT		RHT M15x1,5
0784338	48068-28120	BRACCIO OSCILLANTE - INFERIORE TRACK CONTROL ARM - LOWER		
0794338	48069-28120	BRACCIO OSCILLANTE - INFERIORE TRACK CONTROL ARM - LOWER		

DESTRO
RIGHT



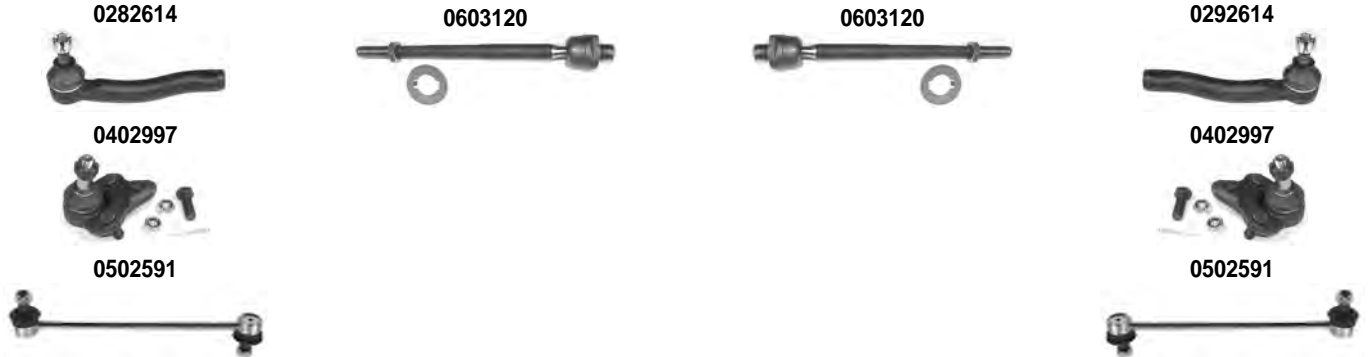
SINISTRO
LEFT

PRIUS	NHW11	05/2000 > 01/2004
-------	-------	-------------------

Asse Anteriore



Front Axle



OCAP	O.E.			
0282614	45046-49115	TESTA STERZO TIE ROD END		RHT M14x1,5
0292614	45047-49045	TESTA STERZO TIE ROD END		RHT M14x1,5
0402997	43330-09090	SNODO SOSPENSIONE - INFERIORE SUSPENSION JOINT - LOWER		
0502591	48820-47010	STABILIZZATORE STABILIZER LINK		
0603120	45503-49075	SNODO ASSIALE AXIAL JOINT		RHT M14x1,5

DESTRO
RIGHT



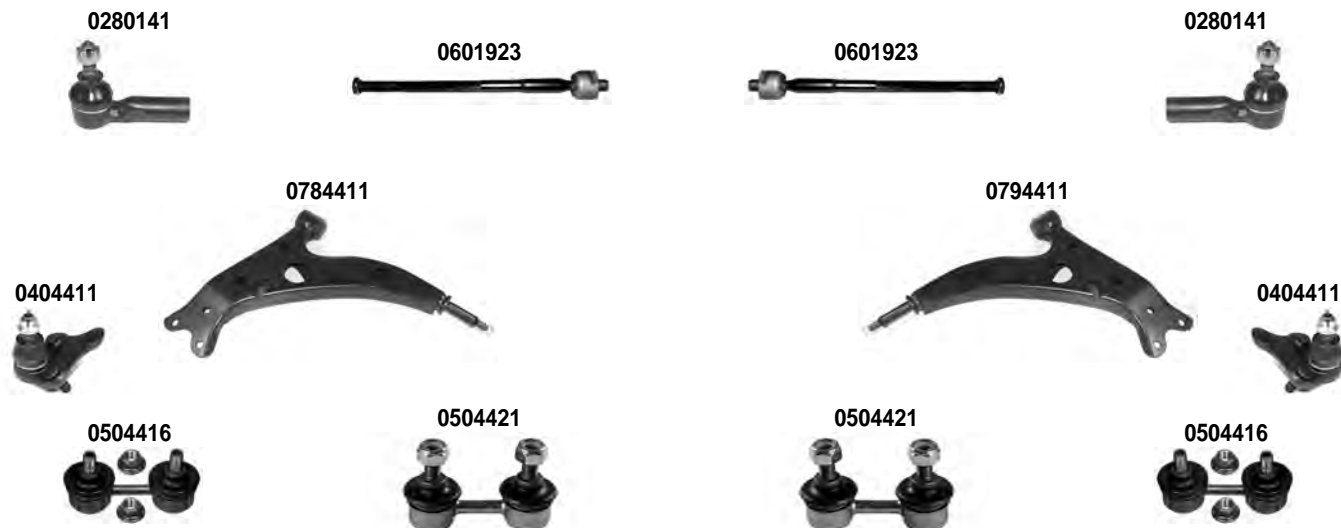
SINISTRO
LEFT

RAV 4 I	SXA10-SXA11	01/1994 > 06/2000
---------	-------------	-------------------

Asse Anteriore



Front Axle



i 1) > 1997	2) 1997 > 2000
--------------------	----------------

OCAP	O.E.		i	
0280141	45046-19175	TESTA STERZO TIE ROD END		RHT M14x1,5
0404411	43330-49025	SNODO SOSPENSIONE - INFERIORE SUSPENSION JOINT - LOWER		
0504416	48820-33010	STABILIZZATORE STABILIZER LINK	1)	
0504421	48820-42010	STABILIZZATORE STABILIZER LINK	2)	
0601923	45503-29365	SNODO ASSIALE AXIAL JOINT		RHT M14x1,5
0784411	48068-42012	BRACCIO OSCILLANTE - INFERIORE TRACK CONTROL ARM - LOWER		
0794411	48069-42012	BRACCIO OSCILLANTE - INFERIORE TRACK CONTROL ARM - LOWER		

DESTRO
RIGHT

 SINISTRO
LEFT

RAV 4 II

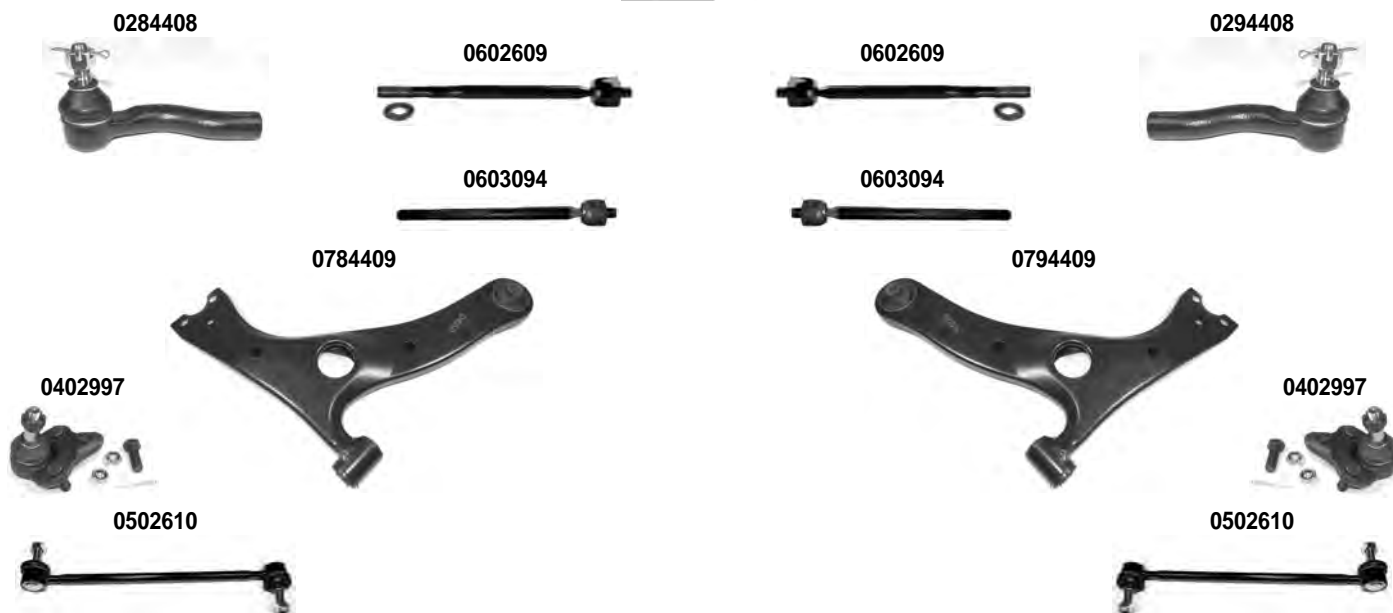
XA2

06/2000 > 2005

Asse Anteriore



Front Axle



Asse Posteriore



Rear Axle



i 1) > 03/2003	2) 03/2003 >
-----------------------	------------------------

OCAP	O.E.		i	
0284408	45046-49095	TESTA STERZO TIE ROD END		RHT M15x1,5
0294408	45047-49095	TESTA STERZO TIE ROD END		RHT M15x1,5
0402997	43330-09090	SNODO SOSPENSIONE - INFERIORE SUSPENSION JOINT - LOWER		
0502610	48820-42020	STABILIZZATORE STABILIZER LINK		
0582784	48830-42010	STABILIZZATORE STABILIZER LINK		
0592784	48840-42010	STABILIZZATORE STABILIZER LINK		
0602609	45503-49055	SNODO ASSIALE AXIAL JOINT	1)	RHT M15x1,5
0603094	45503-42020	SNODO ASSIALE AXIAL JOINT	2)	
0784409	48068-42040	BRACCIO OSCILLANTE - INFERIORE TRACK CONTROL ARM - LOWER		
0794409	48069-42040	BRACCIO OSCILLANTE - INFERIORE TRACK CONTROL ARM - LOWER		

DESTRO
RIGHT



SINISTRO
LEFT

RAV 4 III	ACA3-ACE-ALA3	11/2005 > 2012
-----------	---------------	----------------

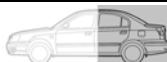
Asse Anteriore



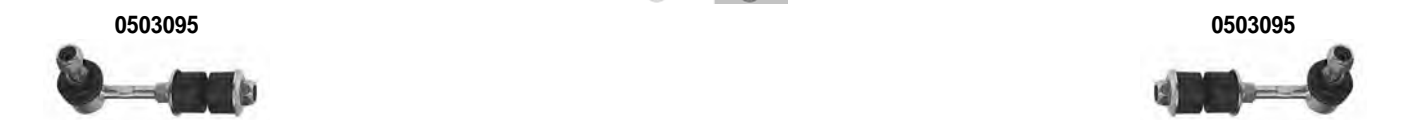
Front Axle



Asse Posteriore



Rear Axle



OCAP	O.E.			
0283093	45046-49195	TESTA STERZO TIE ROD END		RHT M16x1,5
0293093	45047-49135	TESTA STERZO TIE ROD END		RHT M16x1,5
0403095	43330-49095	SNODO SOSPENSIONE - INFERIORE SUSPENSION JOINT - LOWER		
0503095	48830-42022	STABILIZZATORE STABILIZER LINK		
0503096	48820-02070	STABILIZZATORE STABILIZER LINK		
0603093	45510-42080 *	SNODO ASSIALE AXIAL JOINT		RHT M16x1,5
0783095	48068-42050	BRACCIO OSCILLANTE - INFERIORE TRACK CONTROL ARM - LOWER		
0793095	48069-42050	BRACCIO OSCILLANTE - INFERIORE TRACK CONTROL ARM - LOWER		
1216320	48654-02040	SILENTBLOCK CENTRALE BUSHING CENTRAL		
1216413	48068-42050 *	SILENTBLOCK ESTREMO BUSHING OUTER		

DESTRO
RIGHT

 SINISTRO
LEFT

RAV 4 IV

A4

12/2012 >

Asse Anteriore



Front Axle

0283093



0293093



0785794



1216320



1216320



0795794



0403095



1216321



1216321



0403095



0785795



0795795



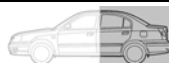
0503096



0503096



Asse Posteriore



Rear Axle

0503095



0503095



OCAP	O.E.		i	
0283093	45046-49195	TESTA STERZO TIE ROD END		RHT M16x1,5
0293093	45047-49135	TESTA STERZO TIE ROD END		RHT M16x1,5
0403095	43330-49095	SNODO SOSPENSIONE - INFERIORE BALL JOINT - LOWER		
0503095	48830-42022	STABILIZZATORE STABILIZER LINK		
0503096	48820-02070	STABILIZZATORE STABILIZER LINK		
0785794	48068-42060	BRACCIO OSCILLANTE - INFERIORE TRACK CONTROL ARM - LOWER		
0785795	48068-42060 *	BRACCIO OSCILLANTE - INFERIORE - COMPLETO TRACK CONTROL ARM - LOWER - COMPLETE		
0795794	48069-42060	BRACCIO OSCILLANTE - INFERIORE TRACK CONTROL ARM - LOWER		
0795795	48069-42060 *	BRACCIO OSCILLANTE - INFERIORE - COMPLETO TRACK CONTROL ARM - LOWER - COMPLETE		
1216320	48654-02040	SILENTBLOCK CENTRALE BUSHING CENTRAL		
1216321	48655-02060	SILENTBLOCK ESTREMO BUSHING OUTER		

DESTRO
RIGHT



SINISTRO
LEFT

SPACE CRUISER 2WD

KR-TR-YR-CR

1976 > 1985

Asse Anteriore



Front Axle

0190748



0183633



0183633



0190748



0183756



0183756



0403757



0403758



0403758





0403757



i 1) > 1985
3) 1982 > 1985

2) > 1982

OCAP	O.E.		i	
0183633	45406-19075	TESTA STERZO - INTERNA TIE ROD END - INNER	2)	RHT M14x1,5
0183756	45406-29135	TESTA STERZO - INTERNA TIE ROD END - INNER	3)	RHT M14x1,5
0190748	45046-29075	TESTA STERZO - ESTERNA TIE ROD END - OUTER	1)	LHT M14x1,5
0403757	43360-29056	SNODO SOSPENSIONE - SUPERIORE SUSPENSION JOINT - UPPER		
0403758	43340-29095	SNODO SOSPENSIONE - INFERIORE SUSPENSION JOINT - LOWER		

DESTRO
RIGHT



SINISTRO
LEFT

STARLET

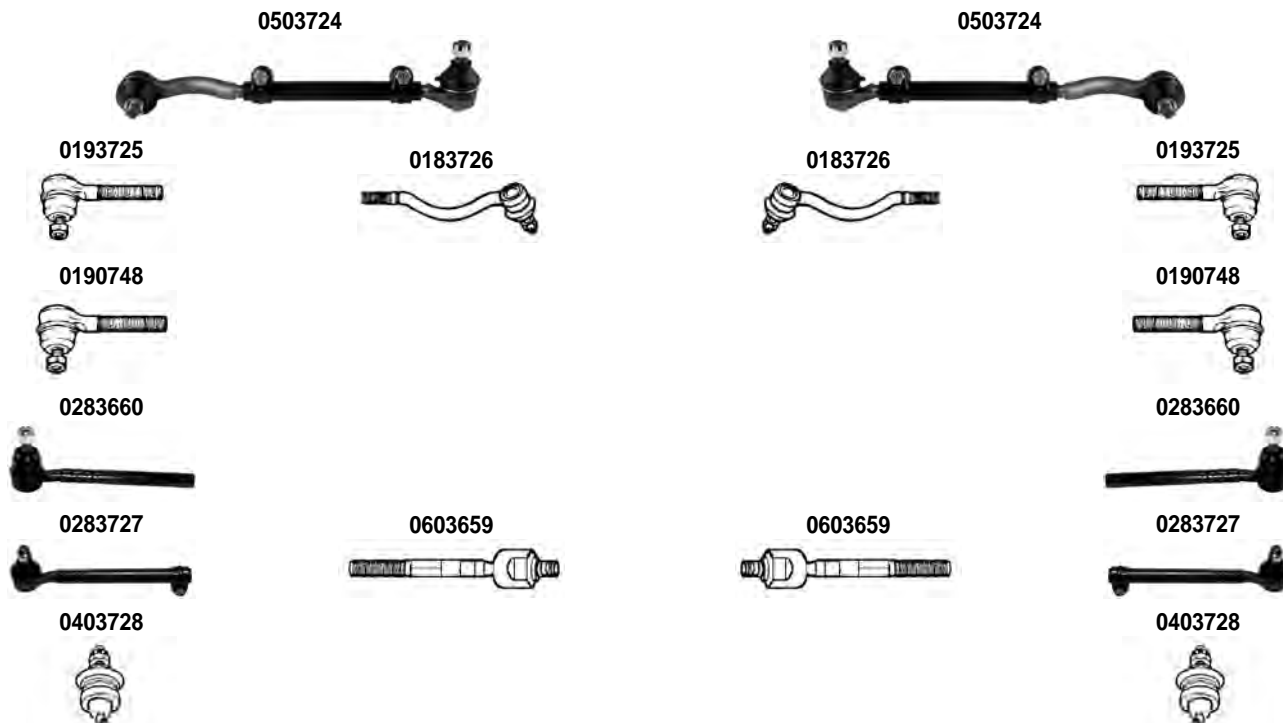
KP4-KP5-KP61-KP62

1973 > 1984

Asse Anteriore



Front Axle



i	1) > 1974	2) SERIE - SERIES - KP4-KP5	
	3) 1974 > 1978		4) SERIE - SERIES - KP61-KP62
	5) > 1980		

OCAP	O.E.		i	
0183726	45046-19055	TESTA STERZO - INTERNA TIE ROD END - INNER	1) 2)	RHT M14x1,5
0190748	45046-29075	TESTA STERZO - ESTERNA TIE ROD END - OUTER	2) 3)	LHT M14x1,5
0193725	45047-29015	TESTA STERZO - ESTERNA TIE ROD END - OUTER	1) 2)	LHT M14x1,5
0283660	45460-19215	TESTA STERZO TIE ROD END	4) 5)	RHT M14x1,5
0283727	45460-19145	TESTA STERZO TIE ROD END	4) 6)	RHT M14x1,5
0403728	43308-12020	SNODO SOSPENSIONE - INFERIORE SUSPENSION JOINT - LOWER	2)	
0503724	45470-19025	BARRA STERZO TIE ROD	1) 2)	
0603659	45503-19015	SNODO ASSIALE AXIAL JOINT	4)	RHT M14x1,5

DESTRO
RIGHT



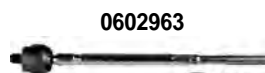
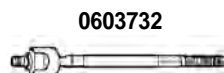
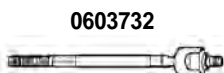
SINISTRO
LEFT

STARLET	EP7-NP7 EP8-NP8	1984 > 1989 1989 >
----------------	--------------------	-----------------------

Asse Anteriore



Front Axle



i 1) SERIE - SERIES - EP7-NP7	2) SERIE - SERIES - EP8-NP8
--------------------------------------	-----------------------------

OCAP	O.E.		i	
0283730	45046-19165	TESTA STERZO TIE ROD END	1)	RHT M12x1,25
0283731	45046-19213	TESTA STERZO TIE ROD END	2)	RHT M12x1,25
0403680	43330-19075	SNODO SOSPENSIONE - INFERIORE SUSPENSION JOINT - LOWER	1)	
0482964	43330-19085	SNODO SOSPENSIONE - INFERIORE SUSPENSION JOINT - LOWER	2)	
0492964	43340-19025	SNODO SOSPENSIONE - INFERIORE SUSPENSION JOINT - LOWER	2)	
0602963	45503-19155	SNODO ASSIALE AXIAL JOINT	2)	RHT M12x1,25
0603732	45503-19075	SNODO ASSIALE AXIAL JOINT	1)	RHT M12x1,25

DESTRO
RIGHT



SINISTRO
LEFT

SUPRA

JZA70 - JZA80

08/1990 > 08/1998

Asse Anteriore



Front Axle

0284564



0594323



0294564



0594323



Asse Posteriore






Rear Axle

0504565



0504565



OCAP	O.E.			
0284564	45460-19235	TESTA STERZO TIE ROD END		RHT M14x1,5
0294564	45470-19065	TESTA STERZO TIE ROD END		RHT M14x1,5
0504565	48820-24010	STABILIZZATORE STABILIZER LINK		
0594323	48810-28010	STABILIZZATORE STABILIZER LINK		

TERCEL

DESTRO
RIGHT



SINISTRO
LEFT

TERCEL	AL10-AL11	1979 > 1988
--------	-----------	-------------

Asse Anteriore

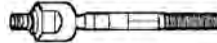


Front Axle

0603659



0603659






0403674



0403674



OCAP	O.E.			
0403674	43308-16010	SNODO SOSPENSIONE - INFERIORE SUSPENSION JOINT - LOWER		
0603659	45460-19115	SNODO ASSIALE AXIAL JOINT		RHT M14x1,5

DESTRO
RIGHT



SINISTRO
LEFT

TERCEL

AL2 - AL25G

1982 > 1988

Asse Anteriore



Front Axle

0283675



0293675



0283677



0293677



0603676



0603676



0403678



0403678



i 1) STERZO MANUALE - MANUAL STEERING	2) SERVOSTERZO - POWER STEERING
--	--

OCAP	O.E.		i	
0283675	45460-19185	TESTA STERZO TIE ROD END	1)	RHT M14x1,5
0283677	45460-19205	TESTA STERZO TIE ROD END	2)	RHT M14x1,5
0293675	45470-19035	TESTA STERZO TIE ROD END	1)	RHT M14x1,5
0293677	45470-19055	TESTA STERZO TIE ROD END	2)	RHT M14x1,5
0403678	43330-19025	SNODO SOSPENSIONE - INFERIORE SUSPENSION JOINT - LOWER		
0603676	45503-19025	SNODO ASSIALE AXIAL JOINT		RHT M14x1,5

DESTRO
RIGHT



SINISTRO
LEFT

URBAN CRUISER

NSP - NLP - ZSP - NCP

2009 >

Asse Anteriore



Front Axle

0282584



0282584



0402354



0783299



0793299



0402354



0502783



0502783



OCAP	O.E.			
0282584	45046-09230	TESTA STERZO TIE ROD END		
0402354	48068-09040 *	SNODO SOSPENSIONE BALL JOINT		
0502783	48820-0D010	STABILIZZATORE STABILIZER LINK		
0783299	48068-09040	BRACCIO OSCILLANTE TRACK CONTROL ARM		
0793299	48069-09040	BRACCIO OSCILLANTE TRACK CONTROL ARM		

DESTRO
RIGHT

 SINISTRO
LEFT

VERSO

AUR2 - ZGR2

04/2009 >

Asse Anteriore



Front Axle



OCAP	O.E.		
0285188	45046-09430	TESTA STERZO TIE ROD END	RHT M16x1,5
0403095	43330-49095	SNODO SOSPENSIONE - INFERIORE SUSPENSION JOINT - LOWER	
0503096	48820-02070	STABILIZZATORE STABILIZER LINK	
0603122	45503-0F010	SNODO ASSIALE AXIAL JOINT	RHT M16x1,5
0783094	48068-02130	BRACCIO OSCILLANTE - INFERIORE TRACK CONTROL ARM - LOWER	
0788073	48068-12300	BRACCIO OSCILLANTE - INFERIORE TRACK CONTROL ARM - LOWER	
0793094	48069-02130	BRACCIO OSCILLANTE - INFERIORE TRACK CONTROL ARM - LOWER	
0798073	48069-12300	BRACCIO OSCILLANTE - INFERIORE TRACK CONTROL ARM - LOWER	
1216320	48654-02040	SILENTBLOCK CENTRALE BUSHING CENTRAL	
1216321	48655-02060	SILENTBLOCK ESTREMO BUSHING OUTER	

DESTRO
RIGHT

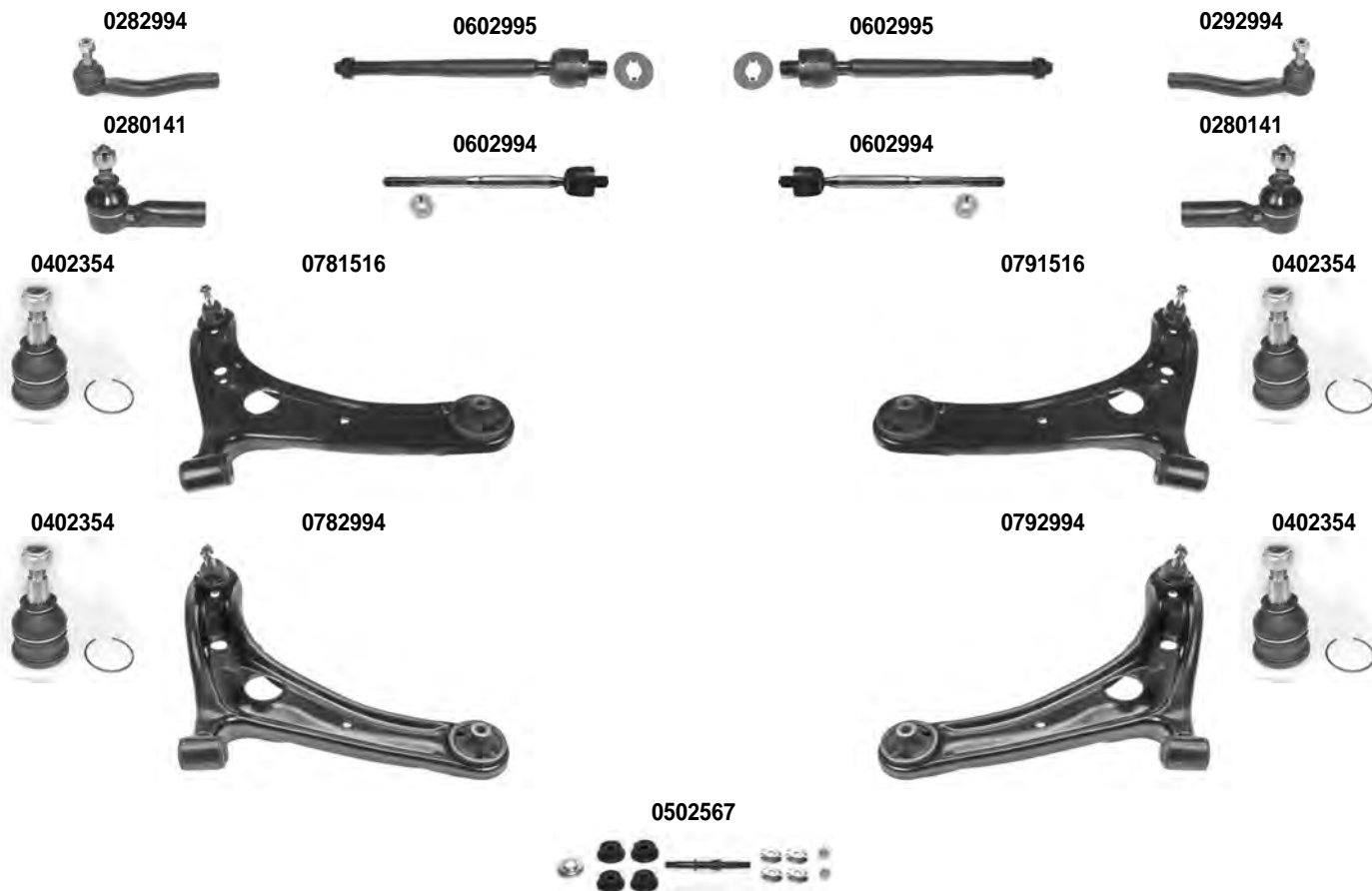


SINISTRO
LEFT

YARIS YARIS VERSO	P1-P2 P2	04/1999 > 2005 11/1999 > 2005
----------------------	-------------	----------------------------------

Asse Anteriore

Front Axle



<p>i 1) > 02/2003 3) > 05/2003 5) MOD. 1.5 7) 05/2003 ></p>	<p>2) 02/2003 > 4) ECCETTO VERSO - EXCEPT VERSO 6) ECCETTO RUOTE - EXCEPT TYRES - 185/55/15</p>
---	--

OCAP	O.E.		i	
0280141	45046-19175	TESTA STERZO TIE ROD END	4)5)	RHT M14x1,5
0282994	45046-59026	TESTA STERZO TIE ROD END		RHT M12x1,25
0292994	45047-59026	TESTA STERZO TIE ROD END		RHT M12x1,25
0402354	48068-59035 *	SNODO SOSPENSIONE BALL JOINT		
0502567	48819-52010 *	KIT STABILIZZATORE STABILIZER LINK KIT		
0602994	45503-0D030	SNODO ASSIALE AXIAL JOINT	2)6)	RHT M12x1,25
0602995	45503-52010	SNODO ASSIALE AXIAL JOINT	1)	RHT M12x1,25
0781516	48068-59035	BRACCIO OSCILLANTE TRACK CONTROL ARM	3)	
0782994	48068-59055	BRACCIO OSCILLANTE TRACK CONTROL ARM	7)	
0791516	48069-59035	BRACCIO OSCILLANTE TRACK CONTROL ARM	3)	
0792994	48069-59055	BRACCIO OSCILLANTE TRACK CONTROL ARM	7)	

DESTRO
RIGHT



SINISTRO
LEFT

YARIS II
YARIS III

P90
P130

2006 >
09/2011 >

Asse Anteriore



Front Axle



OCAP	O.E.			
0283292	45046-09480	TESTA STERZO TIE ROD END		RHT M14x1,5
0293292	45047-09220	TESTA STERZO TIE ROD END		RHT M14x1,5
0402354	48068-09040 *	SNODO SOSPENSIONE BALL JOINT		
0502783	48820-0D010	STABILIZZATORE STABILIZER LINK		
0602782	45503-52070	SNODO ASSIALE AXIAL JOINT		RHT M14x1,5
0783299	48068-09040	BRACCIO OSCILLANTE TRACK CONTROL ARM		
0793299	48069-09040	BRACCIO OSCILLANTE TRACK CONTROL ARM		

DESTRO
RIGHT



SINISTRO
LEFT

AGILA		2000 >
-------	--	--------

Asse Anteriore



Front Axle



i 1) > CH. 1G075421	2) 1G075422 >
----------------------------	---------------

OCAP	O.E.		i	
0281846	4705716	TESTA STERZO TIE ROD END	2)	RHT M12x1,25
0283616	48810-82000	TESTA STERZO TIE ROD END	1)	RHT M12x1,25
0301848	4705172	BRACCIO OSCILLANTE TRACK CONTROL ARM	1)	L = 283 mm.
0301849	4705742	BRACCIO OSCILLANTE TRACK CONTROL ARM	2)	
0601847	4701745	SNODO ASSIALE AXIAL JOINT		RHT M12x1,25
0901840	4701740 *	KIT CUFFIE STERZO STEERING GAITER KIT		
1211372	4701740	CUFFIA STERZO STEERING GAITER		
1215556	4703866	SILENTBLOCK ESTREMO OUTER BUSHING		
1215557	4705409	SILENTBLOCK CENTRALE CENTRAL BUSHING		

DESTRO
RIGHT

 SINISTRO
LEFT

AGILA II




09/2007 >

Asse Anteriore



Front Axle



OCAP	O.E.			
0281846	4705716	TESTA STERZO TIE ROD END		
0403139	4708299 *	SNODO SOSPENSIONE - INFERIORE BALL JOINT - LOWER		
0503140	4709702	STABILIZZATORE STABILIZER LINK		
0603138	4709161	SNODO ASSIALE AXIAL JOINT		
0783139	4708299	BRACCIO OSCILLANTE - INFERIORE TRACK CONTROL ARM - LOWER		
0793139	4708300	BRACCIO OSCILLANTE - INFERIORE TRACK CONTROL ARM - LOWER		
1211582	4709165	CUFFIA STERZO STEERING GAITER		
1211583	4709117	CUFFIA STERZO STEERING GAITER		
1215949	4708302	SILENTBLOCK CENTRALE BUSHING CENTRAL		
1215950	4708302 *	SILENTBLOCK ESTREMO BUSHING OUTER		

DESTRO
RIGHT



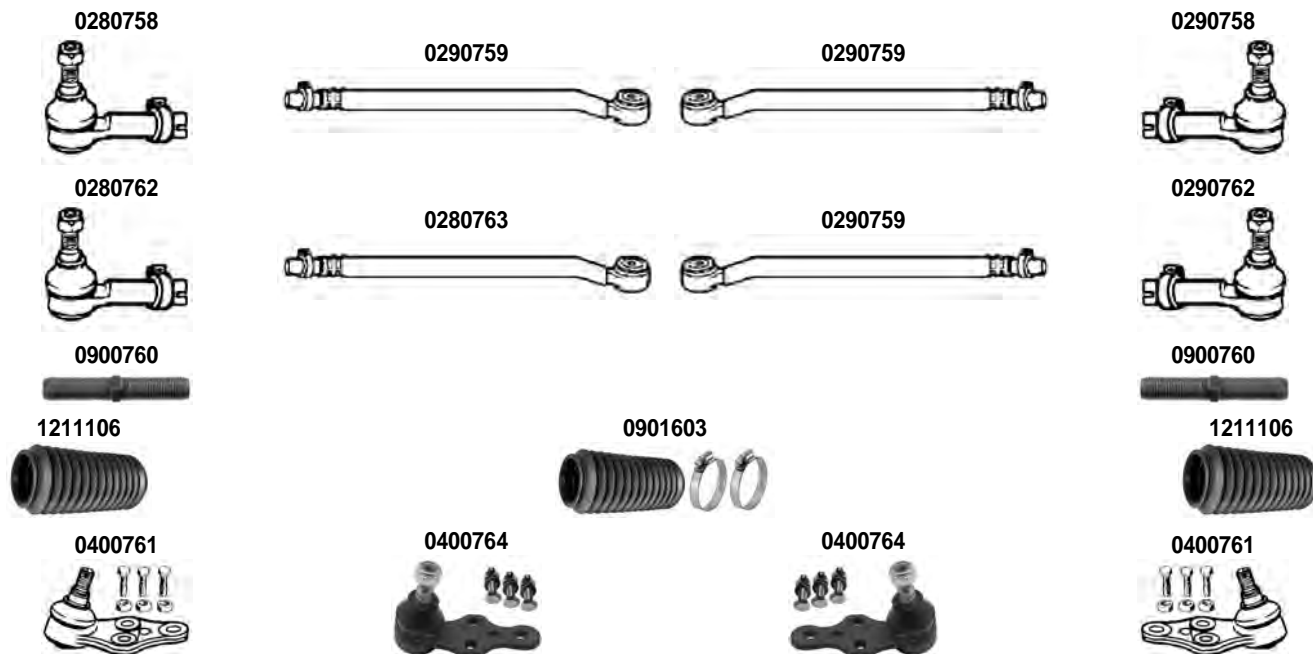
SINISTRO
LEFT

ASTRA	1979 > 1984
-------	-------------

Asse Anteriore



Front Axle



i 1) 1979 >	2) 1981 >
--------------------	-----------

OCAP	O.E.		i	
0280758	324037	TESTA STERZO TIE ROD END	1)	RHT M16x1,5
0280762	324041	TESTA STERZO TIE ROD END	2)	LHT M16x1,5
0280763	322124	TESTA STERZO TIE ROD END	2)	RHT M16x1,5
0290758	324036	TESTA STERZO TIE ROD END	1)	RHT M16x1,5
0290759	90105368	TESTA STERZO TIE ROD END	1)	LHT M16x1,5
0290762	324040	TESTA STERZO TIE ROD END	2)	RHT M16x1,5
0400761	90094792	SNODO SOSPENSIONE SUSPENSION JOINT		
0400764	1603120	SNODO SOSPENSIONE SUSPENSION JOINT	2)	
0900760	90105358	GIUNTO COLLEGAMENTO ADJUSTMENT BOLT		
0901603	902828 *	KIT CUFFIE STERZO STEERING GAITER KIT		
1211106	902828	CUFFIA STERZO STEERING GAITER		

DESTRO
RIGHT

 SINISTRO
LEFT

ASTRA

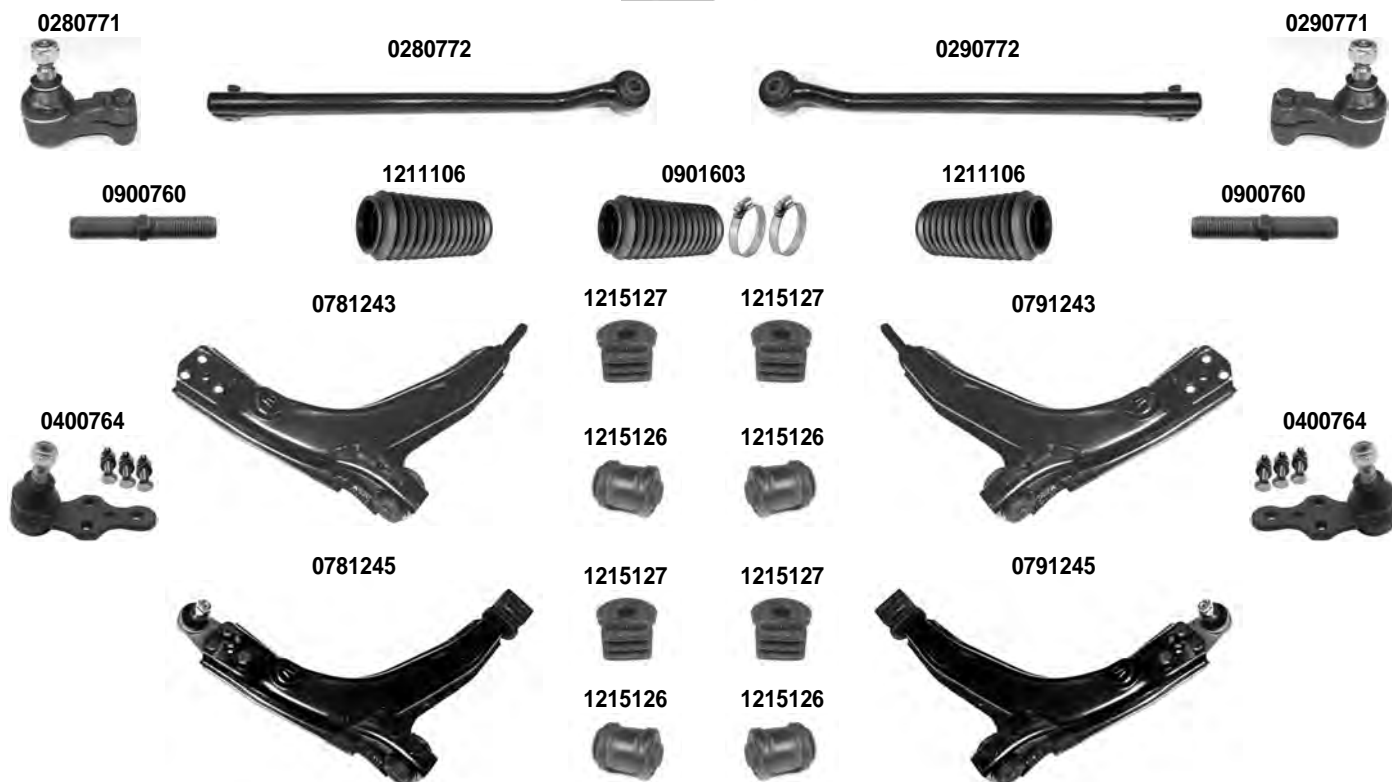
MK II

1984 > 1991

Asse Anteriore



Front Axle



OCAP	O.E.			
0280771	90140006	TESTA STERZO TIE ROD END		LHT M16x1,5
0280772	90125568	TESTA STERZO TIE ROD END		RHT M16x1,5
0290771	90140007	TESTA STERZO TIE ROD END		RHT M16x1,5
0290772	90125567	TESTA STERZO TIE ROD END		LHT M16x1,5
0400764	1603120	SNODO SOSPENSIONE BALL JOINT		
0781243	90375506 *	BRACCIO OSCILLANTE TRACK CONTROL ARM		
0781245	90375506	BRACCIO OSCILLANTE - COMPLETO COMPLETE TRACK CONTROL ARM		
0791243	90375505 *	BRACCIO OSCILLANTE TRACK CONTROL ARM		
0791245	90375505	BRACCIO OSCILLANTE - COMPLETO COMPLETE TRACK CONTROL ARM		
0900760	322575	GIUNTO COLLEGAMENTO ADJUSTMENT BOLT		
0901603	902828 *	KIT CUFFIE STERZO STEERING GAITER KIT		
1211106	902828	CUFFIA STERZO STEERING GAITER		
1215126	352334	SILENTBLOCK CENTRALE CENTRAL BUSHING		
1215127	352335	SILENTBLOCK ESTREMO OUTER BUSHING		

DESTRO
RIGHT



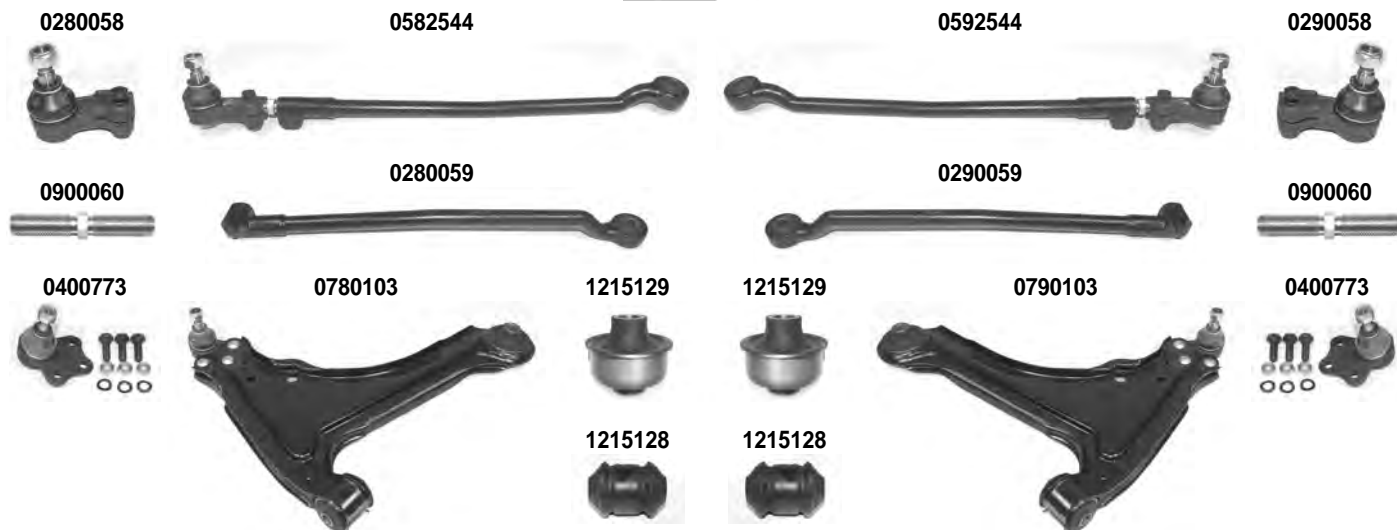
SINISTRO
LEFT

ASTRA CAVALIER CALIBRA	MK III MK III	1991 > 1998 1988 > 1995 1990 > 1997
------------------------------	------------------	---

Asse Anteriore



Front Axle



OCAP	O.E.			
0280058	90369705	TESTA STERZO TIE ROD END		LHT M16x2
0280059	90373522	TESTA STERZO TIE ROD END		RHT M16x2
0290058	90369704	TESTA STERZO TIE ROD END		RHT M16x2
0290059	90373521	TESTA STERZO TIE ROD END		LHT M16x2
0400773	1603163	SNODO SOSPENSIONE BALL JOINT		
0582544	324056 *	BARRA STERZO TIE ROD		
0592544	324055 *	BARRA STERZO TIE ROD		
0780103	90495160	BRACCIO OSCILLANTE - COMPLETO - INFERIORE COMPLETE TRACK CONTROL ARM - LOWER		
0790103	90495159	BRACCIO OSCILLANTE - COMPLETO - INFERIORE COMPLETE TRACK CONTROL ARM - LOWER		
0900060	90373523	GIUNTO COLLEGAMENTO ADJUSTMENT BOLT		
1215128	352300	SILENTBLOCK CENTRALE CENTRAL BUSHING		
1215129	352348	SILENTBLOCK ESTREMO OUTER BUSHING		

DESTRO
RIGHT

 SINISTRO
LEFT

**ASTRA
ZAFIRA**

MK IV

 1998 > 2004
1999 >

Asse Anteriore



Front Axle



i 1) SCATOLE STERZO - STEERING BOX - DELPHI-TRW	2) SCATOLE STERZO - STEERING BOX - DELPHI
3) SCATOLE STERZO - STEERING BOX - TRW	

OCAP	O.E.		i	
0281747	1603542	TESTA STERZO TIE ROD END	1)	RHT M14x1,5
0401420	352800	SNODO SOSPENSIONE BALL JOINT		
0501744	350614	STABILIZZATORE STABILIZER LINK		
0601745	1603213	SNODO ASSIALE AXIAL JOINT	2)	RHT M14x1,5
0601746	1603256 *	SNODO ASSIALE AXIAL JOINT	3)	RHT M14x1,5
0781747	5352017	BRACCIO OSCILLANTE - COMPLETO - INFERIORE COMPLETE TRACK CONTROL ARM - LOWER		
0791747	5352016	BRACCIO OSCILLANTE - COMPLETO - INFERIORE COMPLETE TRACK CONTROL ARM - LOWER		
0901746	1609113	KIT CUFFIE STERZO STEERING GAITER KIT		
1211300	1609113 **	CUFFIA STERZO STEERING GAITER		
1215319	352364	SILENTBLOCK CENTRALE CENTRAL BUSHING		
1215320	352365	SILENTBLOCK ESTREMO OUTER BUSHING		

DESTRO
RIGHT

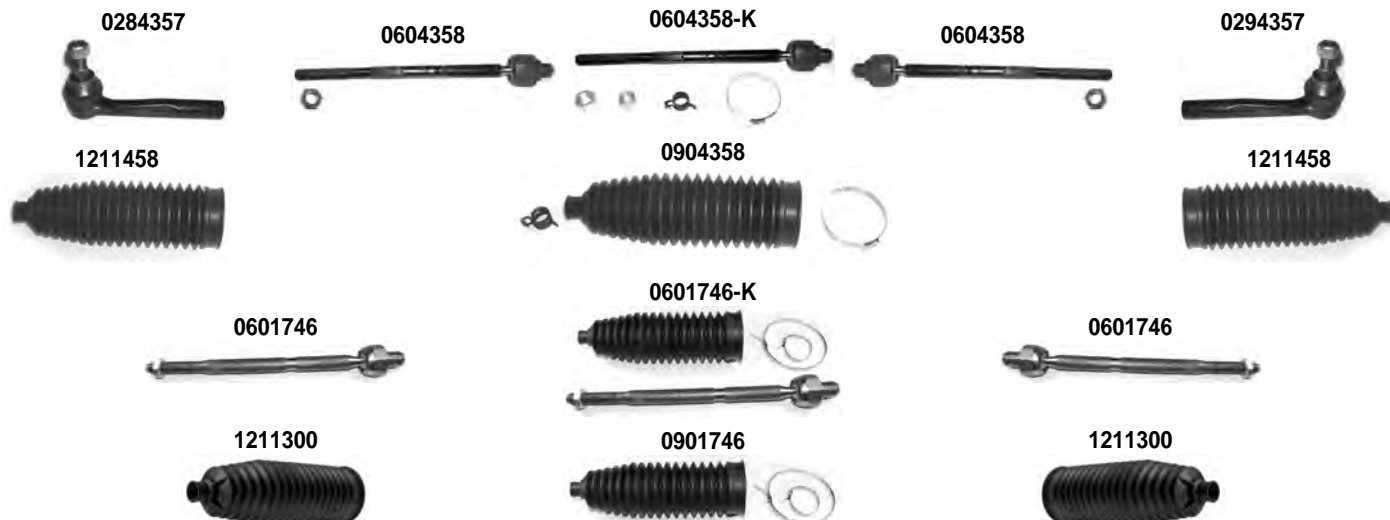


SINISTRO
LEFT

ASTRA	MK V	03/2004 >
-------	------	-----------

Asse Anteriore

Front Axle



i 1) SCATOLA STERZO - STEERING BOX - ZF	2) SCATOLA STERZO - STEERING BOX - TRW
--	--

OCAP	O.E.		
0284357	1603257	TESTA STERZO TIE ROD END	RHT M14x1,5
0294357	1603258	TESTA STERZO TIE ROD END	RHT M14x1,5
0601746	1603256 *	SNODO ASSIALE AXIAL JOINT	2) RHT M14x1,5
0604358	1603264 *	SNODO ASSIALE AXIAL JOINT	1) RHT M14x1,5
0901746	1609113	KIT CUFFIE STERZO STEERING GAITER KIT	2)
0904358	1609153	KIT CUFFIA STERZO STEERING GAITER KIT	1)
1211300	1609113 **	CUFFIA STERZO STEERING GAITER	2)
1211458	1609153 *	CUFFIA STERZO STEERING GAITER	1)
0601746-K	1603256	KIT SNODO ASSIALE AXIAL JOINT KIT	2) RHT M14x1,5
0604358-K	1603264	KIT SNODO ASSIALE AXIAL JOINT KIT	1) RHT M14x1,5

DESTRO
RIGHT

 SINISTRO
LEFT

ASTRA

MK V

03/2004 >

Asse Anteriore



Front Axle



i 3) ESCLUSO MODELLI GUIDA INTERATTIVA (IDS) - RESINA - EXCEPT INTERACTIVE DRIVE (IDS) - RESIN 4) SOLO MODELLI CON GUIDA INTERATTIVA (IDS) - ONLY FOR INTERACTIVE DRIVE (IDS)

OCAP	O.E.		i	
0401420	352800	SNODO SOSPENSIONE SUSPENSION JOINT		
0501744	350614	STABILIZZATORE STABILIZER LINK	3)	
0504360	350613	STABILIZZATORE STABILIZER LINK	4)	
0784359	5352030	BRACCIO OSCILLANTE TRACK CONTROL ARM		
0794359	5352029	BRACCIO OSCILLANTE TRACK CONTROL ARM		
1215319	352364	SILENTBLOCK CENTRALE CENTRAL BUSHING		
1215722	352324	SILENTBLOCK ESTREMO OUTER BUSHING		

BEDFORD BLITZ

DESTRO
RIGHT



SINISTRO
LEFT

BEDFORD BLITZ

CF97

1969 >

Asse Anteriore



Front Axle

0280787



0280787



OCAP	O.E.		i	
0280787	8845298	TESTA STERZO TIE ROD END		RHT M=5/8" x 18

DESTRO
RIGHT



SINISTRO
LEFT

CARLTON

MK II

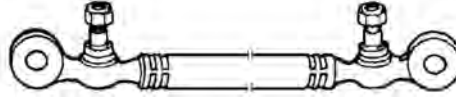
1978 >

Asse Anteriore

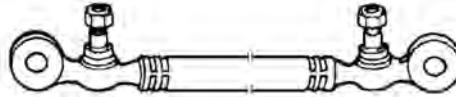


Front Axle

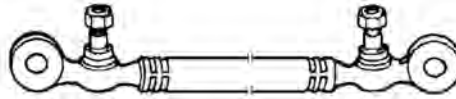
0500782



0501661



0500785



0190783



0180784



0180784



0190783



0501665



0400784



0400784



0501665



1) SERVOSTERZO - POWER STEERING
3) > CH. D1000028

2) STERZO MANUALE - MANUAL STEERING
4) DIESEL > CH. E1107392

OCAP	O.E.			
0180784	324118	TESTA STERZO TIE ROD END		RHT M14x1,5
0190783	324017	TESTA STERZO TIE ROD END		LHT M14x1,5
0400784	352822	SNODO SOSPENSIONE - INFERIORE SUSPENSION JOINT - LOWER		
0500782	322129	BARRA STERZO - L H D TIE ROD - L H D	1) 3)	
0500785	322130	BARRA STERZO - L H D TIE ROD - L H D	2) 3) 4)	
0501661	322131	BARRA STERZO - R H D TIE ROD - R H D	1) 3)	
0501665	350602	STABILIZZATORE STABILIZER LINK		

DESTRO
RIGHT



SINISTRO
LEFT

CARLTON

MK III

1986 >

Asse Anteriore

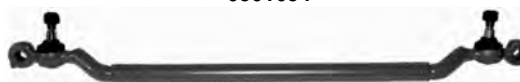


Front Axle

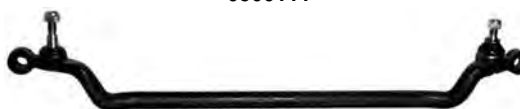
0500110



0501654



0500111



0580112



0590112



0180063



0190063



0180064



0190064



i 1) SERVOSTERZO - POWER STEERING

OCAP	O.E.		i	
0180063	322176	TESTA STERZO TIE ROD END		
0180064	322171	TESTA STERZO TIE ROD END		
0190063	322172	TESTA STERZO TIE ROD END		
0190064	322175	TESTA STERZO TIE ROD END		
0500110	322148	BARRA STERZO - L H D TIE ROD - L H D	1)	
0500111	322145	BARRA STERZO - L H D TIE ROD - L H D		
0501654	322141	BARRA STERZO - R H D TIE ROD - R H D	1)	
0580112	322174	BARRA STERZO TIE ROD		
0590112	322173	BARRA STERZO TIE ROD		

DESTRO
RIGHT



SINISTRO
LEFT

CARLTON

MK III




1986 >

Asse Anteriore



Front Axle



OCAP	O.E.			
0480113	352827	SNODO SOSPENSIONE SUSPENSION JOINT		
0490113	352826	SNODO SOSPENSIONE SUSPENSION JOINT		
0500114	350605	STABILIZZATORE STABILIZER LINK		
0780113	352136	BRACCIO OSCILLANTE - COMPLETO COMPLETE TRACK CONTROL ARM		
0790113	352135	BRACCIO OSCILLANTE - COMPLETO COMPLETE TRACK CONTROL ARM		
1215192	352355	SILENTBLOCK ESTREMO OUTER BUSHING		
1215240	352341	SILENTBLOCK CENTRALE CENTRAL BUSHING		

DESTRO
RIGHT



SINISTRO
LEFT

CAVALIER	MK I	1975 > 1981
----------	------	-------------

Asse Anteriore



Front Axle

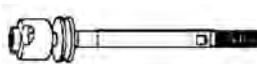
0280753



0600768



0600768



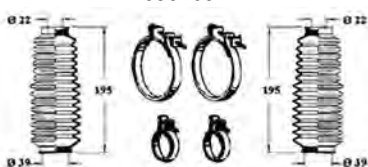
0280753



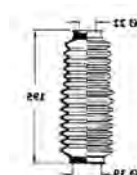
1211105



0901607



1211105



0400769



0400769






0401403



0401403



OCAP	O.E.			
0280753	324115	TESTA STERZO TIE ROD END		RHT M14x1,5
0400769	310815	SNODO SOSPENSIONE - SUPERIORE SUSPENSION JOINT - UPPER		
0401403	352819	SNODO SOSPENSIONE - INFERIORE SUSPENSION JOINT - LOWER		
0600768	324251	SNODO ASSIALE AXIAL JOINT		RHT M14x1,5
0901607	322506 *	KIT CUFFIE STERZO STEERING GAITER KIT		
1211105	322506	CUFFIA STERZO STEERING GAITER		

DESTRO
RIGHT



SINISTRO
LEFT

CAVALIER

MK II

1981 > 1988

Asse Anteriore



Front Axle

0280771



0280772



0290772



0290771



0900760



0900760



1211106



0901603



1211106






0400773



0400773



OCAP	O.E.			
0280771	324038	TESTA STERZO TIE ROD END		LHT M16x1,5
0280772	322126	TESTA STERZO TIE ROD END		RHT M16x1,5
0290771	324039	TESTA STERZO TIE ROD END		RHT M16x1,5
0290772	322125	TESTA STERZO TIE ROD END		LHT M16x1,5
0400773	1603163	SNODO SOSPENSIONE - INFERIORE SUSPENSION JOINT - LOWER		
0900760	322575	GIUNTO COLLEGAMENTO ADJUSTMENT BOLT		
0901603	902828 *	KIT CUFFIE STERZO STEERING GAITER KIT		
1211106	902828	CUFFIE STERZO STEERING GAITER		

DESTRO
RIGHT



SINISTRO
LEFT

CHEVETTE

1975 > 1985

Asse Anteriore



Front Axle

0280753



0600754



0600754



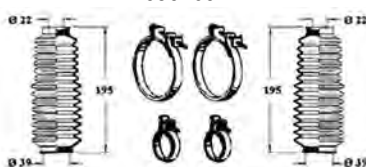
0280753



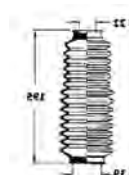
1211105



0901607



1211105



0400755



0400755



0400756



0400756



OCAP	O.E.			
0280753	9004081	TESTA STERZO TIE ROD END		RHT M14x1,5
0400755	310816	SNODO SOSPENSIONE - SUPERIORE SUSPENSION JOINT - UPPER		
0400756	352817	SNODO SOSPENSIONE - INFERIORE SUSPENSION JOINT - LOWER		
0600754	322120	SNODO ASSIALE AXIAL JOINT		RHT M14x1,5
0901607	322506 *	KIT CUFFIE STERZO STEERING GAITER KIT		
1211105	322506	CUFFIA STERZO STEERING GAITER		

DESTRO
RIGHT



SINISTRO
LEFT

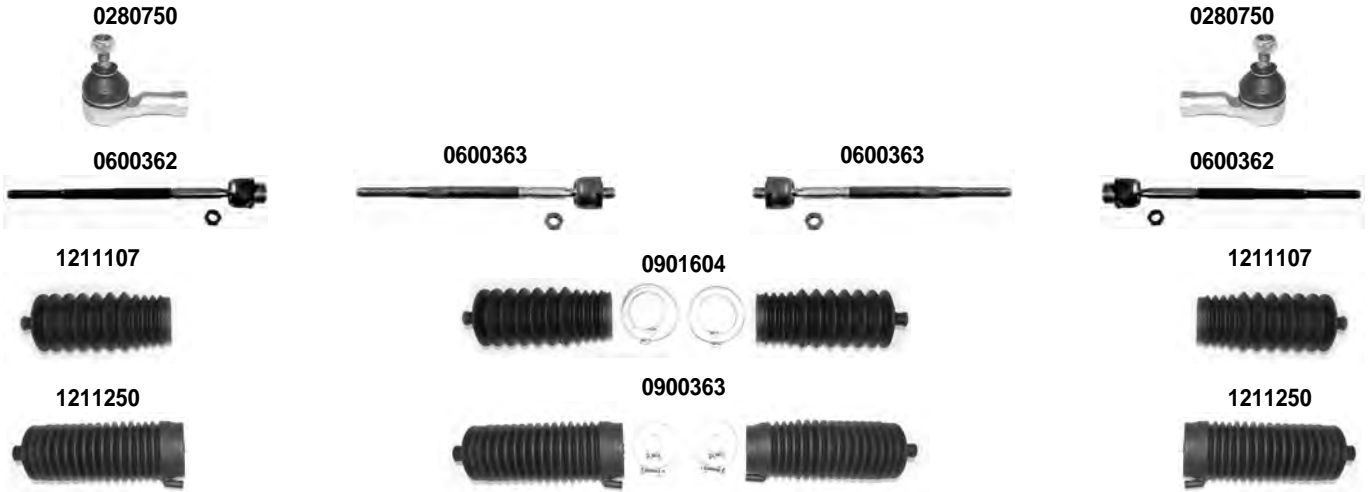
CORSA
TIGRA

1993 > 1997
1994 > 1997

Asse Anteriore



Front Axle



1) STERZO MANUALE - MANUAL STEERING		2) SERVOSTERZO - POWER STEERING		
OCAP	O.E.			
0280750	324050	TESTA STERZO TIE ROD END		RHT M12x1,5
0600362	322155	SNODO ASSIALE AXIAL JOINT	1)	RHT M12x1,5
0600363	322158	SNODO ASSIALE AXIAL JOINT	2)	RHT M12x1,5
0900363	1609087	KIT CUFFIE STERZO STEERING GAITER KIT	2)	
0901604	902827	KIT CUFFIE STERZO STEERING GAITER KIT	1)	
1211107	902827 *	CUFFIA STERZO STEERING GAITER	1)	
1211250	900285	CUFFIA STERZO STEERING GAITER	2)	

DESTRO
RIGHT



SINISTRO
LEFT

CORSA
TIGRA

1993 > 1997
1994 > 1997

Asse Anteriore



Front Axle



3) CON SNODO - WITH BALL JOINT			4) SENZA SNODO - WITHOUT BALL JOINT	
OCAP	O.E.			
0400752	1603187	SNODO SOSPENSIONE SUSPENSION JOINT		
0780365	352002	BRACCIO OSCILLANTE TRACK CONTROL ARM	4)	
0780366	352002 **	BRACCIO OSCILLANTE TRACK CONTROL ARM	3)	
0790365	352003	BRACCIO OSCILLANTE TRACK CONTROL ARM	4)	
0790366	352003 **	BRACCIO OSCILLANTE TRACK CONTROL ARM	3)	
1215125	352301	SILENTBLOCK BUSHING		
1215401	350127	BOCCOLA BARRA STABILIZZATRICE STABILIZING BAR BUSHING		DIAM. 21,5 mm.

DESTRO
RIGHT



SINISTRO
LEFT

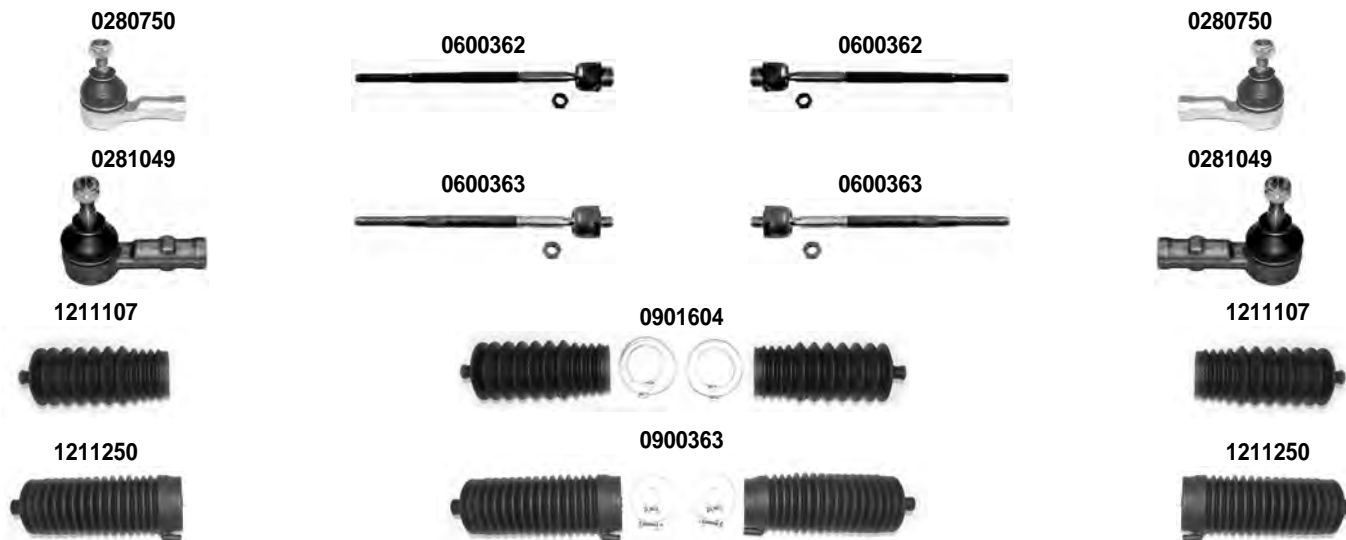
CORSA - TIGRA

1997 > 2000

Asse Anteriore



Front Axle



i 1) STERZO MANUALE - MANUAL STEERING
3) ESCLUSO - EXCEPT : MOD. 1.000

2) SERVOSTERZO - POWER STEERING

OCAP	O.E.		
0280750	324050	TESTA STERZO TIE ROD END	1) RHT M12x1,5
0281049	324066	TESTA STERZO TIE ROD END	2) 3) RHT M12x1,5
0600362	322155	SNODO ASSIALE AXIAL JOINT	1) RHT M12x1,5
0600363	322158	SNODO ASSIALE AXIAL JOINT	2) 3) RHT M12x1,5
0900363	1609087	KIT CUFFIE STERZO STEERING GAITER KIT	2)
0901604	902827	KIT CUFFIE STERZO STEERING GAITER KIT	1)
1211107	902827 *	CUFFIA STERZO STEERING GAITER	1)
1211250	900285	CUFFIA STERZO STEERING GAITER	2)

DESTRO
RIGHT



SINISTRO
LEFT

CORSA - TIGRA

1997 > 2000

Asse Anteriore



Front Axle



i 4) CON SNODO - WITH BALL JOINT	5) SENZA SNODO - WITHOUT BALL JOINT
---	-------------------------------------

OCAP	O.E.		i	
0400395	1603202	SNODO SOSPENSIONE - CON KIT SUSPENSION JOINT - WITH KIT		
0781049	5352012	BRACCIO OSCILLANTE - SENZA SNODO TRACK CONTROL ARM - WITHOUT SUSPENSION JOINT	5)	
0781050	5352012 *	BRACCIO OSCILLANTE - CON SNODO TRACK CONTROL ARM - WITH SUSPENSION JOINT	4)	
0791049	5352011	BRACCIO OSCILLANTE - SENZA SNODO TRACK CONTROL ARM - WITHOUT SUSPENSION JOINT	5)	
0791050	5352011 *	BRACCIO OSCILLANTE - CON SNODO TRACK CONTROL ARM - WITH SUSPENSION JOINT	4)	
1215125	352301	SILENTBLOCK BUSHING		

DESTRO
RIGHT



SINISTRO
LEFT

CORSA
COMBO

2000 >
2001 >

Asse Anteriore



Front Axle



i 1) > ch. 33999999,34999999,38999999 **2) ECCETTO COMBO PACKAGE STRADE DISSESTATE - EXCEPT COMBO PACKAGE UNEVEN ROAD SURFACE**

OCAP	O.E.		
0281884	1603009	TESTA STERZO TIE ROD END	RHT M12x1,5
0401885	352803	SNODO SOSPENSIONE SUSPENSION JOINT	
0501690	350610	STABILIZZATORE STABILIZER LINK	
0601883	1603008 *	SNODO ASSIALE AXIAL JOINT	1) RHT M12x1,5
0781885	352063	BRACCIO OSCILLANTE TRACK CONTROL ARM	
0791885	352041	BRACCIO OSCILLANTE TRACK CONTROL ARM	
0901883	1609121	KIT CUFFIA STERZO STEERING GAITER KIT	
0901885	352309	SUPPORTO BRACCIO OSCILLANTE CONTROL ARM SUPPORT	
1211379	1609121 *	CUFFIA STERZO STEERING GAITER	
1215577	352309 *	SILENTBLOCK SUPPORTO BUSHING SUPPORT	2)
1215578	352310	SILENTBLOCK ESTREMO OUTER BUSHING	
0601883-K	1603008	SNODO ASSIALE - CON KIT AXIAL JOINT - WITH KIT	1) RHT M12x1,5

DESTRO
RIGHT



SINISTRO
LEFT

FRONTERA - MONTEREY

A

1991 > 1998

Asse Anteriore



Front Axle

0281422



0401423



0401424



0583895



0291422



0401423



0401424



0593895



OCAP	O.E.			
0281422	920373	TESTA STERZO TIE ROD END		RHT M14x1,5
0291422	920374	TESTA STERZO TIE ROD END		LHT M14x1,5
0401423	310821	SNODO SOSPENSIONE - SUPERIORE SUSPENSION JOINT - UPPER		
0401424	352828	SNODO SOSPENSIONE - INFERIORE SUSPENSION JOINT - LOWER		
0583895	350608	STABILIZZATORE STABILIZER LINK		
0593895	350607	STABILIZZATORE STABILIZER LINK		

DESTRO
RIGHT

 SINISTRO
LEFT

FRONTERA - MONTEREY

MK II

1998 >

Asse Anteriore



Front Axle



OCAP	O.E.			
0283891	900907	TESTA STERZO TIE ROD END		RHT M14x1,5
0401424	352828	SNODO SOSPENSIONE - INFERIORE BALL JOINT - LOWER		
0402956	310823	SNODO SOSPENSIONE - SUPERIORE BALL JOINT - UPPER		
0583895	350608	STABILIZZATORE STABILIZER LINK		
0593895	350607	STABILIZZATORE STABILIZER LINK		
0603892	900905	SNODO ASSIALE AXIAL JOINT		RHT M14x1,5
0783893	301017	BRACCIO OSCILLANTE - SUPERIORE TRACK CONTROL ARM - UPPER		
0793893	301019	BRACCIO OSCILLANTE - SUPERIORE TRACK CONTROL ARM - UPPER		
0903891	900906	KIT CUFFIA STERZO STEERING GAITER KIT		
1215685	302292	SILENTBLOCK BRACCIO SUPERIORE CONTROL ARM UPPER BUSHING		
1215686	302293	SILENTBLOCK BRACCIO INFERIORE LOWER CONTROL ARM BUSHING		
1215687	302294	SILENTBLOCK BRACCIO INFERIORE LOWER CONTROL ARM BUSHING		
0401424-K	352828 *	KIT SNODO SOSPENSIONE - INFERIORE BALL JOINT KIT - LOWER		
0402956-K	310823 *	KIT SNODO SOSPENSIONE - SUPERIORE BALL JOINT KIT - UPPER		

DESTRO
RIGHT



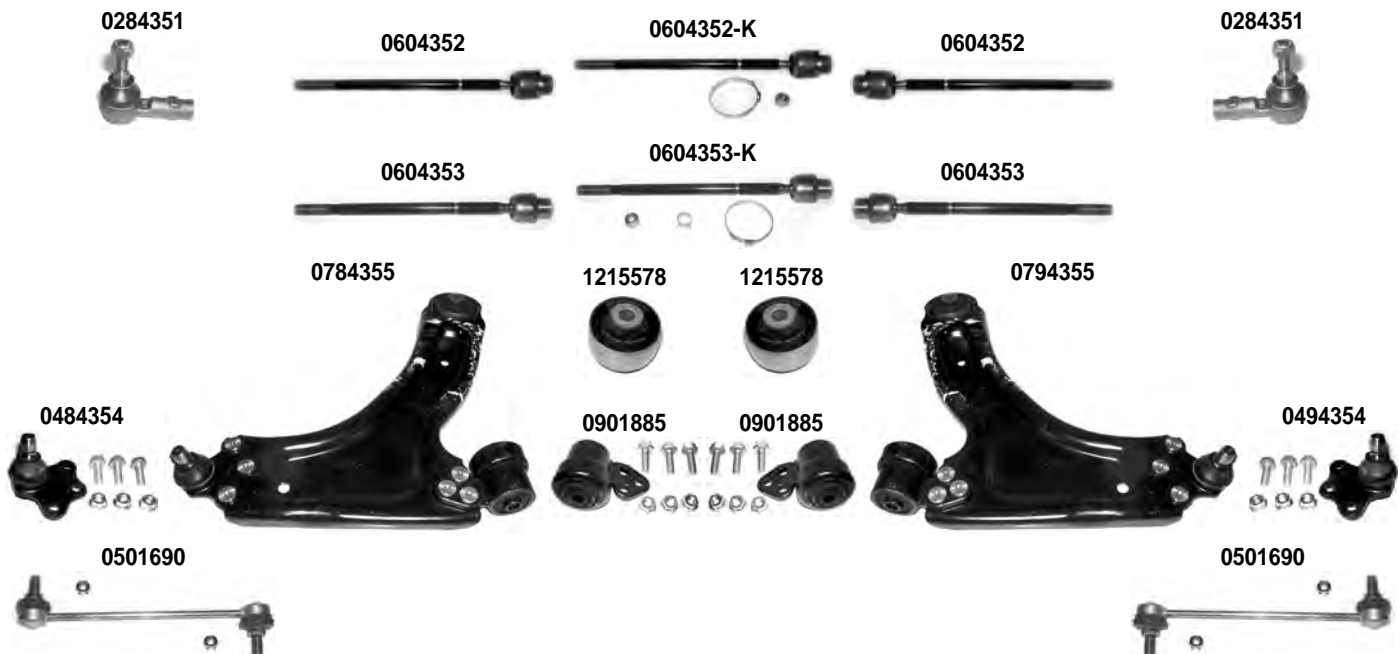
SINISTRO
LEFT

MERIVA

05/2003 >

Asse Anteriore

Front Axle



i 1) SERVOSTERZO - POWER STEERING	2) STERZO MANUALE - MANUAL STEERING
--	-------------------------------------

OCAP	O.E.		
0284351	1603240	TESTA STERZO TIE ROD END	RHT M14x1,5
0484354	5352026	SNODO SOSPENSIONE BALL JOINT	
0494354	5352025	SNODO SOSPENSIONE BALL JOINT	
0501690	350610	STABILIZZATORE STABILIZER LINK	
0604352	1603016 *	SNODO ASSIALE AXIAL JOINT	1) RHT M14x1,5
0604353	1603239 *	SNODO ASSIALE AXIAL JOINT	2) RHT M14x1,5
0784355	5352028	BRACCIO OSCILLANTE TRACK CONTROL ARM	
0794355	5352027	BRACCIO OSCILLANTE TRACK CONTROL ARM	
0901885	352309	KIT SILENTBLOCK CENTRALE BRACCIO OSCILLANTE CONTROL ARM BUSHING KIT - CENTRAL	
1215578	352320	SILENTBLOCK ESTREMO BRACCIO OSCILLANTE TRACK CONTROL ARM BUSHING - OUTER	
0604352-K	1603016	KIT SNODO ASSIALE AXIAL JOINT KIT	1) RHT M14x1,5
0604353-K	1603239	KIT SNODO ASSIALE AXIAL JOINT KIT	2) RHT M14x1,5

DESTRO
RIGHT



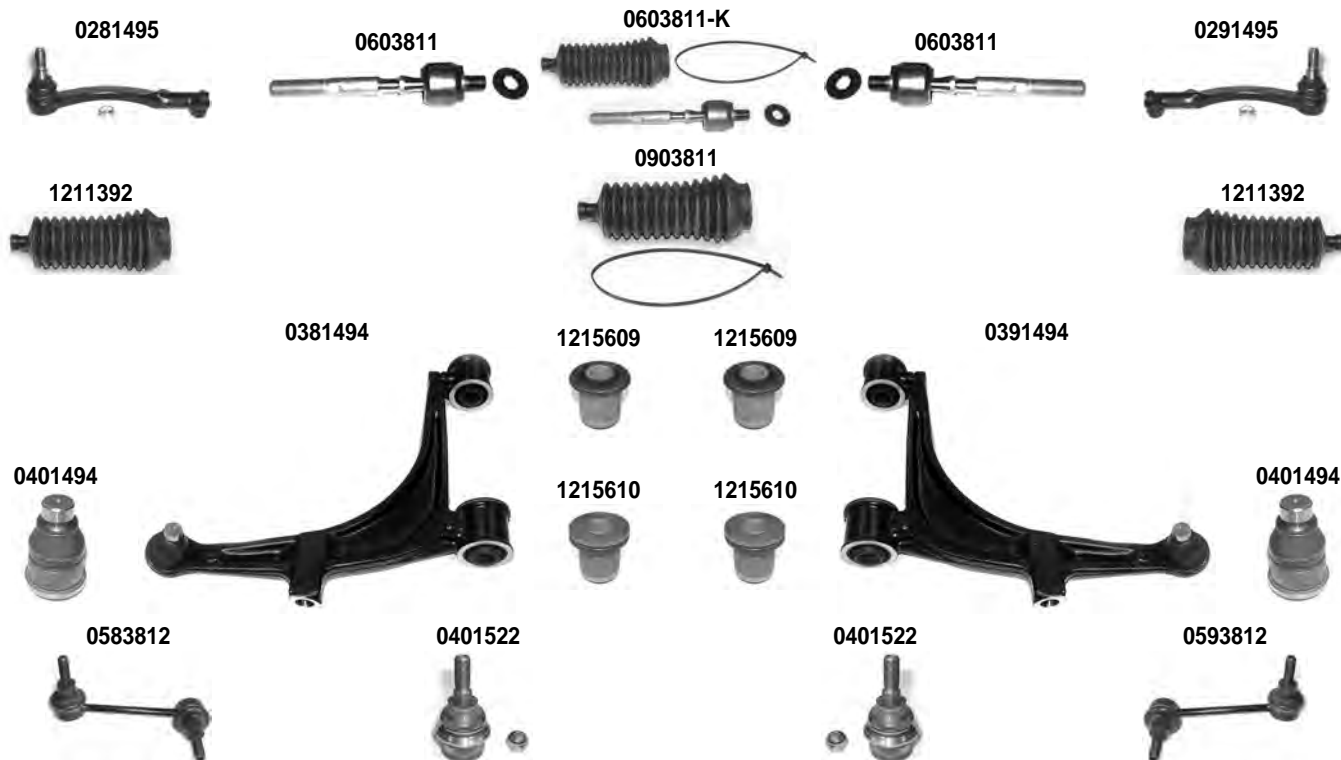
SINISTRO
LEFT

MOVANO

1999 >

Asse Anteriore

Front Axle



i 1) DIAM. PERNO 22 mm. - > 09/2007 - PIN DIAM. 22 mm. - > 2) LATO ESTERNO - OUTER SIDE
09/2007

OCAP	O.E.		i	
0281495	4501263	TESTA STERZO TIE ROD END		RHT M16x1,5
0291495	4501262	TESTA STERZO TIE ROD END		RHT M16x1,5
0381494	4404048	BRACCIO OSCILLANTE - INFERIORE TRACK CONTROL ARM - LOWER	1)	
0391494	4500092	BRACCIO OSCILLANTE - INFERIORE TRACK CONTROL ARM - LOWER	1)	
0401494	4500255	SNODO SOSPENSIONE - INFERIORE BALL JOINT - LOWER	1)	
0401522	4500254	SNODO SOSPENSIONE BRACCIO SUPERIORE SUSPENSION JOINT CONTROL ARM UPPER	2)	
0583812	4500199	STABILIZZATORE STABILIZER LINK		
0593812	4500198	STABILIZZATORE STABILIZER LINK		
0603811	4501261 *	SNODO ASSIALE AXIAL JOINT		
0903811	4501260	KIT CUFFIA STERZO STEERING GAITER KIT		
1211392	4501260 *	CUFFIA STERZO STEERING GAITER		
1215609	4500094	SILENTBLOCK CENTRALE CENTRAL BUSHING		
1215610	4500095	SILENTBLOCK ESTREMO OUTER BUSHING		
0603811-K	4501261	KIT SNODO ASSIALE KIT AXIAL JOINT		

DESTRO
RIGHT



SINISTRO
LEFT

NOVA	A	1982 > 1993
------	---	-------------

Asse Anteriore

Front Axle



i 1) CON SNODO - WITH BALL JOINT	2) SENZA SNODO - WITHOUT BALL JOINT
---	-------------------------------------

OCAP	O.E.		i	
0280750	324050	TESTA STERZO TIE ROD END		RHT M12x1,5
0400752	1603128	SNODO SOSPENSIONE SUSPENSION JOINT		
0600751	322149	SNODO ASSIALE AXIAL JOINT		RHT M12x1,5
0781242	352044	BRACCIO OSCILLANTE TRACK CONTROL ARM	2)	
0781244	352044 **	BRACCIO OSCILLANTE TRACK CONTROL ARM	1)	
0791242	352043	BRACCIO OSCILLANTE TRACK CONTROL ARM	2)	
0791244	352043 **	BRACCIO OSCILLANTE TRACK CONTROL ARM	1)	
0901604	902827	KIT CUFFIE STERZO STEERING GAITER KIT		
1211107	902827 *	CUFFIA STERZO STEERING GAITER		
1215496	352327	SILENTBLOCK BUSHING		

DESTRO
RIGHT

 SINISTRO
LEFT

OMEGA

1994 >

Asse Anteriore



Front Axle

0501416

0501417

0581418

0591418

0191418

0190063

0180064

0181418


OCAP	O.E.			
0180064	324062	BARRA STERZO TIE ROD END		LHT M14x1,5
0181418	324059	TESTA STERZO TIE ROD END		RHT M14x1,5
0190063	324047	TESTA STERZO TIE ROD END		RHT M14x1,5
0191418	324060	TESTA STERZO TIE ROD END		LHT M14x1,5
0501416	322166	BARRA STERZO - L H D TIE ROD - L H D		
0501417	322167	BARRA STERZO - R H D TIE ROD - R H D		
0581418	322168	BARRA STERZO TIE ROD		
0591418	322169	BARRA STERZO TIE ROD		

DESTRO
RIGHT



SINISTRO
LEFT

OMEGA

1994 >

Asse Anteriore

Front Axle



OCAP	O.E.			
0401420	352829	SNODO SOSPENSIONE SUSPENSION JOINT		
0501421	350600	STABILIZZATORE STABILIZER LINK		
0781428	352028	BRACCIO OSCILLANTE - COMPLETO COMPLETE TRACK CONTROL ARM		
0791428	352029	BRACCIO OSCILLANTE - COMPLETO COMPLETE TRACK CONTROL ARM		
1215522	352302	SILENTBLOCK ESTREMO OUTER BUSHING		
1215523	352303	SILENTBLOCK CENTRALE CENTRAL BUSHING		

DESTRO
RIGHT



SINISTRO
LEFT

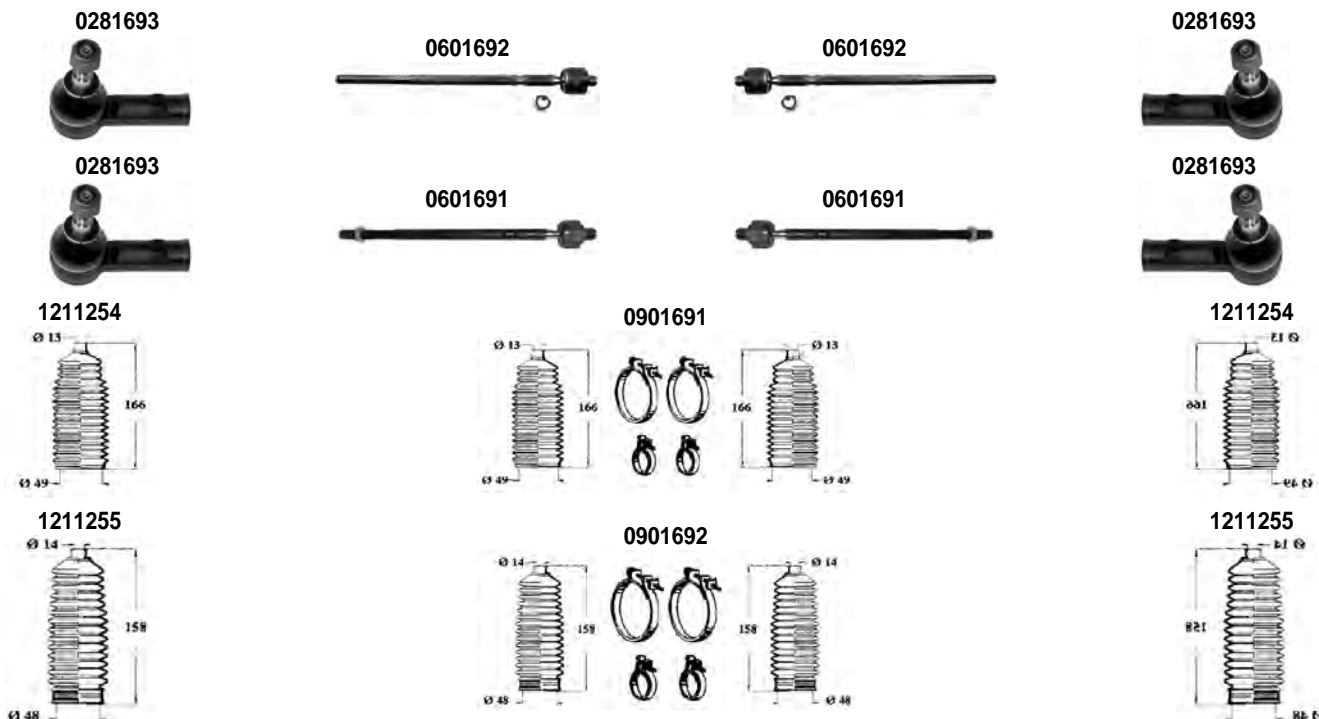
VECTRA

1996 > 2002

Asse Anteriore



Front Axle



i 1) SCATOLA STERZO - STEERING BOX - SAGINAW 2) SCATOLA STERZO - STEERING BOX - ZF

OCAP	O.E.		i	
0281693	324063	TESTA STERZO TIE ROD END		RHT M14x1,5
0601691	324186	SNODO ASSIALE AXIAL JOINT	2)	RHT M14x1,5
0601692	1603199	SNODO ASSIALE AXIAL JOINT	1)	RHT M14x1,5
0901691	1609096	KIT CUFFIA STERZO STEERING GAITER KIT	1)	
0901692	1609095	KIT CUFFIA STERZO STEERING GAITER KIT	2)	
1211254	1609096 *	CUFFIA STERZO STEERING GAITER	1)	
1211255	1609095 *	CUFFIA STERZO STEERING GAITER	2)	

DESTRO
RIGHT



SINISTRO
LEFT

VECTRA

1996 > 2002

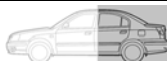
Asse Anteriore



Front Axle



Asse Posteriore



Rear Axle



OCAP	O.E.			
0401420	352829	SNODO SOSPENSIONE SUSPENSION JOINT		
0401517	423121	GIUNTO SOSPENSIONE SUSPENSION JOINT		
0781747	5352017	BRACCIO OSCILLANTE - INFERIORE TRACK CONTROL ARM - LOWER		
0791747	5352016	BRACCIO OSCILLANTE - INFERIORE TRACK CONTROL ARM - LOWER		
1214097	444199	SILENTBLOCK BARRA STABILIZZATRICE STABILIZING BAR BUSHING		DIAM. 14 mm.
1214098	350130	SILENTBLOCK BARRA STABILIZZATRICE STABILIZING BAR BUSHING		DIAM. 16 mm.
1215319	352364	SILENTBLOCK CENTRALE CENTRAL BUSHING		
1215320	352365	SILENTBLOCK ESTREMO OUTER BUSHING		

DESTRO
RIGHT

 SINISTRO
LEFT

**VECTRA
SIGNUM**

MK II

 04/2002 >
05/2003 >

Asse Anteriore



Front Axle

0283802

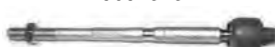
0904374

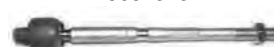
0293802

0603803

0603803-K

0603803

0604373

0604373-K

0604373

0604372

0604372-K

0604372


i 1) SOLO VECTRA - ONLY VECTRA - > CH. 31032140 > CH. 38040655 2) VECTRA: SINO A RUOTE 17" - TO TYRES - CH. 31032141 > CH. 38040656 >

OCAP	O.E.		i	
0283802	1603228	TESTA STERZO TIE ROD END		
0293802	1603227	TESTA STERZO TIE ROD END		
0603803	1603229 *	SNODO ASSIALE AXIAL JOINT	1)	
0604372	1603252 *	SNODO ASSIALE AXIAL JOINT		
0604373	1603244 *	SNODO ASSIALE AXIAL JOINT	2)	
0904374	1609132	KIT CUFFIA STERZO STEERING GAITER KIT		
0603803-K	1603229	SNODO ASSIALE CON KIT KIT AXIAL JOINT	1)	
0604372-K	1603252	SNODO ASSIALE CON KIT KIT AXIAL JOINT		
0604373-K	1603244	SNODO ASSIALE CON KIT KIT AXIAL JOINT	2)	

DESTRO
RIGHT



SINISTRO
LEFT

VECTRA SIGNUM	MK II	04/2002 > 05/2003 >
------------------	-------	------------------------

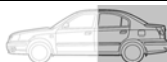
Asse Anteriore



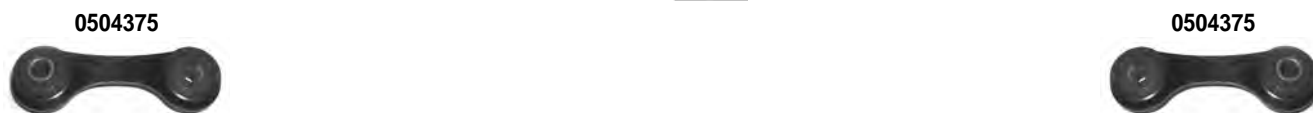
Front Axle



Asse Posteriore



Rear Axle



OCAP	O.E.			
0383804	352052	BRACCIO OSCILLANTE - ALLUMINIO TRACK CONTROL ARM - ALUMINIUM		
0393804	352051	BRACCIO OSCILLANTE - ALLUMINIO TRACK CONTROL ARM - ALUMINIUM		
0503805	350603	STABILIZZATORE STABILIZER LINK		
0504375	444275	STABILIZZATORE STABILIZER LINK		
1215319	352364	SILENTBLOCK CENTRALE CENTRAL BUSHING		
1215638	352319	SILENTBLOCK ESTREMO OUTER BUSHING		

DESTRO
RIGHT

 SINISTRO
LEFT

VIVA FIRENZA MAGNUM	1963 > 1979 1964 > 1975 1973 > 1981
---------------------------	---

Asse Anteriore



Front Axle

0280702

0404101

0280702

0404101


OCAP	O.E.			
0280702	8819219	TESTA STERZO TIE ROD END		RHT 1/2"x 20 UNF
0404101	8818976	SNODO SOSPENSIONE - INFERIORE BALL JOINT - LOWER		

DESTRO
RIGHT



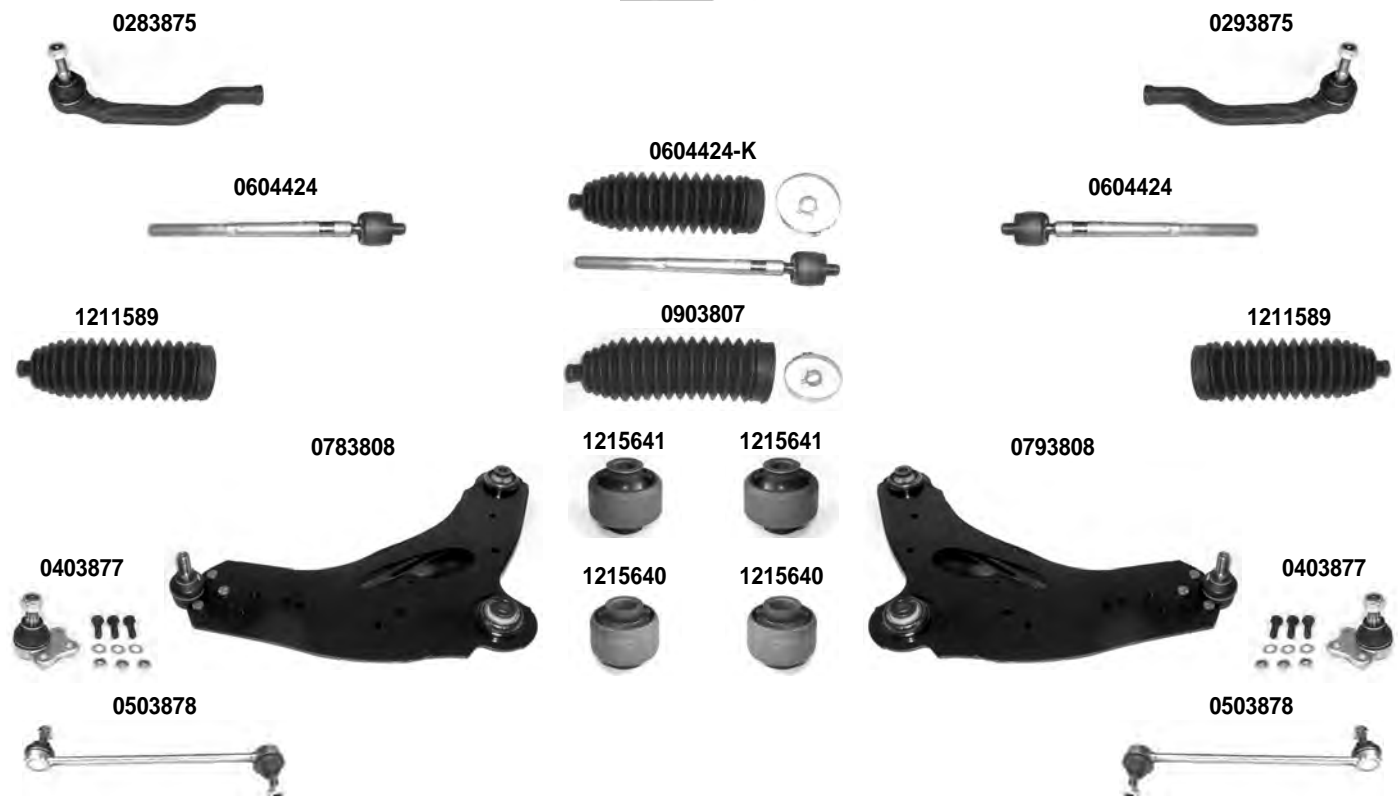
SINISTRO
LEFT

VIVARO	2001 >
--------	--------

Asse Anteriore



Front Axle



i 1) > 10/2006

OCAP	O.E.		i	
0283875	4408511	TESTA STERZO TIE ROD END		
0293875	4408510	TESTA STERZO TIE ROD END		
0403877	4408959 *	SNODO SOSPENSIONE - CON KIT SUSPENSION JOINT - WITH KIT		
0503878	4408904	STABILIZZATORE STABILIZER LINK		
0604424	7701473333 *	SNODO ASSIALE AXIAL JOINT		
0783808	4408959	BRACCIO OSCILLANTE - INFERIORE TRACK CONTROL ARM - LOWER	1)	
0793808	4408958	BRACCIO OSCILLANTE - INFERIORE TRACK CONTROL ARM - LOWER	1)	
0903807	4408476	KIT CUFFIA STERZO STEERING GAITER KIT		
1211589	4408476 *	CUFFIA STERZO STEERING GAITER		
1215640	4408958 **	SILENTBLOCK CENTRALE CENTRAL BUSHING		DIAM. 18/55 mm.
1215641	4408959 **	SILENTBLOCK ESTREMO OUTER BUSHING		DIAM. 15/58 mm.
0604424-K	7701473333	KIT SNODO ASSIALE AXIAL JOINT KIT		

DESTRO
RIGHT

 SINISTRO
LEFT

AMAROK

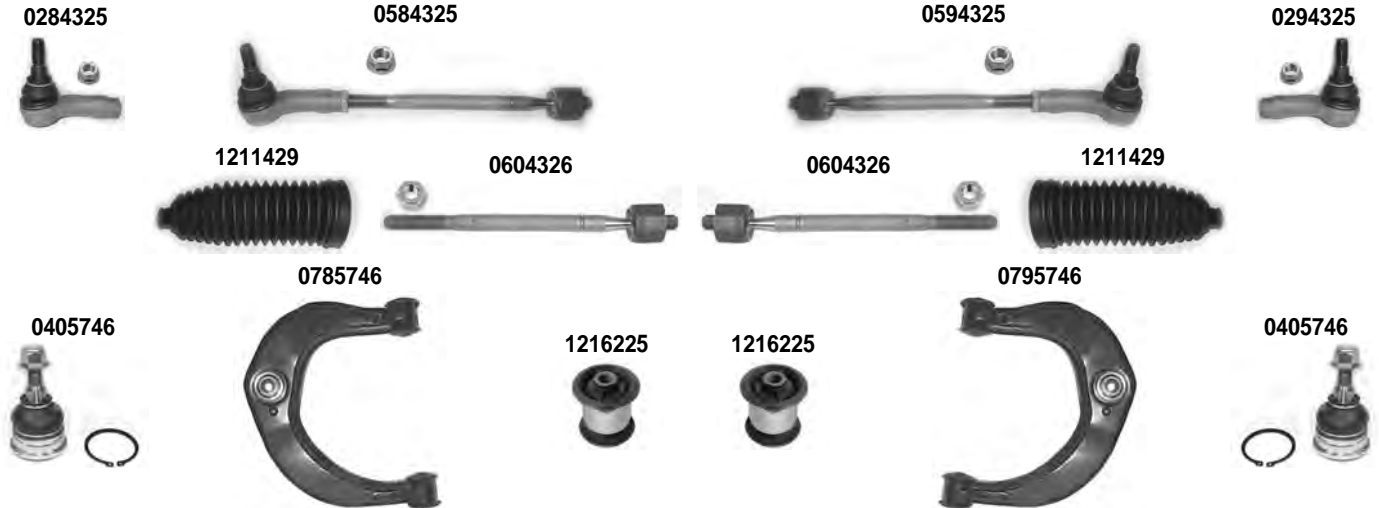
2H - S1B

09/2010 > 2015

Asse Anteriore



Front Axle



OCAP	O.E.			
0284325	7L0422818D	TESTA STERZO TIE ROD END		RHT M16x1,5
0294325	7L0422817D	TESTA STERZO TIE ROD END		RHT M16x1,5
0405746	2H0407022B *	SNODO SOSPENSIONE - SUPERIORE BALL JOINT - UPPER		
0584325	7L0422804D	BARRA STERZO TIE ROD		
0594325	7L0422803D	BARRA STERZO TIE ROD		
0604326	7L0422821	SNODO ASSIALE AXIAL JOINT		RHT M16x1,5
0785746	2H0407022B	BRACCIO OSCILLANTE - SUPERIORE TRACK CONTROL ARM - UPPER		
0795746	2H0407021B	BRACCIO OSCILLANTE - SUPERIORE TRACK CONTROL ARM - UPPER		
1211429	7L0422831A	CUFFIA STERZO STEERING GAITER		
1216225	2H0407077A	SILENTBLOCK BUSHING		

DESTRO
RIGHT



SINISTRO
LEFT

AMAROK	2H - S1B	09/2010 > 2015
--------	----------	----------------

Asse Anteriore



Front Axle



i 1) > 02/2012	2) 03/2012 >
-----------------------	--------------

OCAP	O.E.		i	
0405747	2H0407152A *	SNODO SOSPENSIONE - INFERIORE BALL JOINT - LOWER		
0505746	2H0411317	STABILIZZATORE - ACCIAIO STABILIZER LINK - STEEL	1)	
0505747	2H0411317B	STABILIZZATORE - PLASTICA STABILIZER LINK - PLASTIC	2)	
0785747	2H0407152A	BRACCIO OSCILLANTE - INFERIORE TRACK CONTROL ARM - LOWER		
0795747	2H0407151A	BRACCIO OSCILLANTE - INFERIORE TRACK CONTROL ARM - LOWER		
1214292	2H0411313C	GOMMINO BARRA STABILIZZATRICE STABILIZING BAR BUSHING		DIAM. 27 mm.
1216226	2H0407183A	SILENTBLOCK - CENTRALE BUSHING - CENTRAL		
1216227	2H0407182A	SILENTBLOCK - ESTERNO BUSHING - OUTER		
1216228	2H0412333A	SILENTBLOCK - LATO SNODO BUSHING - BALL JOINT SIDE		

DESTRO
RIGHT

 SINISTRO
LEFT

BEETLE

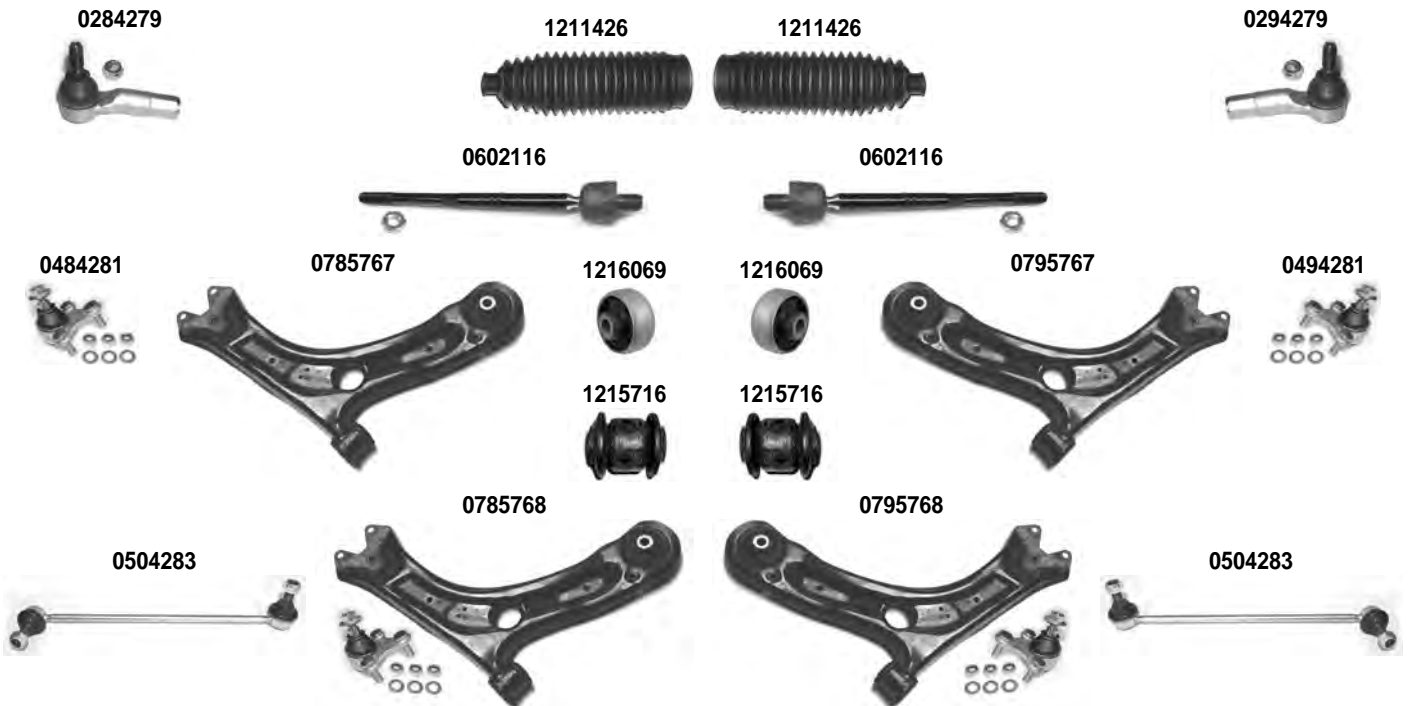
5C1

10/2011 >

Asse Anteriore



Front Axle



OCAP	O.E.		
0284279	1K0423812E	TESTA STERZO TIE ROD END	RHT M16x1,5
0294279	1K0423811E	TESTA STERZO TIE ROD END	RHT M16x1,5
0484281	5Q0407366A	SNODO SOSPENSIONE - INFERIORE BALL JOINT - LOWER	
0494281	5Q0407365A	SNODO SOSPENSIONE - INFERIORE BALL JOINT - LOWER	
0504283	1K0411315J	STABILIZZATORE STABILIZER LINK	
0602116	561423810	SNODO ASSIALE AXIAL JOINT	RHT M16x1,5
0785767	561407152C	BRACCIO OSCILLANTE - INFERIORE TRACK CONTROL ARM - LOWER	
0785768	561407152C *	BRACCIO OSCILLANTE - INFERIORE - COMPLETO COMPLETE TRACK CONTROL ARM - LOWER	
0795767	561407151C	BRACCIO OSCILLANTE - INFERIORE TRACK CONTROL ARM - LOWER	
0795768	561407151C *	BRACCIO OSCILLANTE - INFERIORE - COMPLETO COMPLETE TRACK CONTROL ARM - LOWER	
1211426	1K0423831A	CUFFIA STERZO STEERING GAITER	
1215716	1K0407182	SILENTBLOCK CENTRALE CENTRAL BUSHING	
1216069	1K0407183M	SILENTBLOCK ESTREMO OUTER BUSHING	

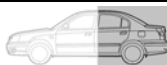
DESTRO
RIGHT



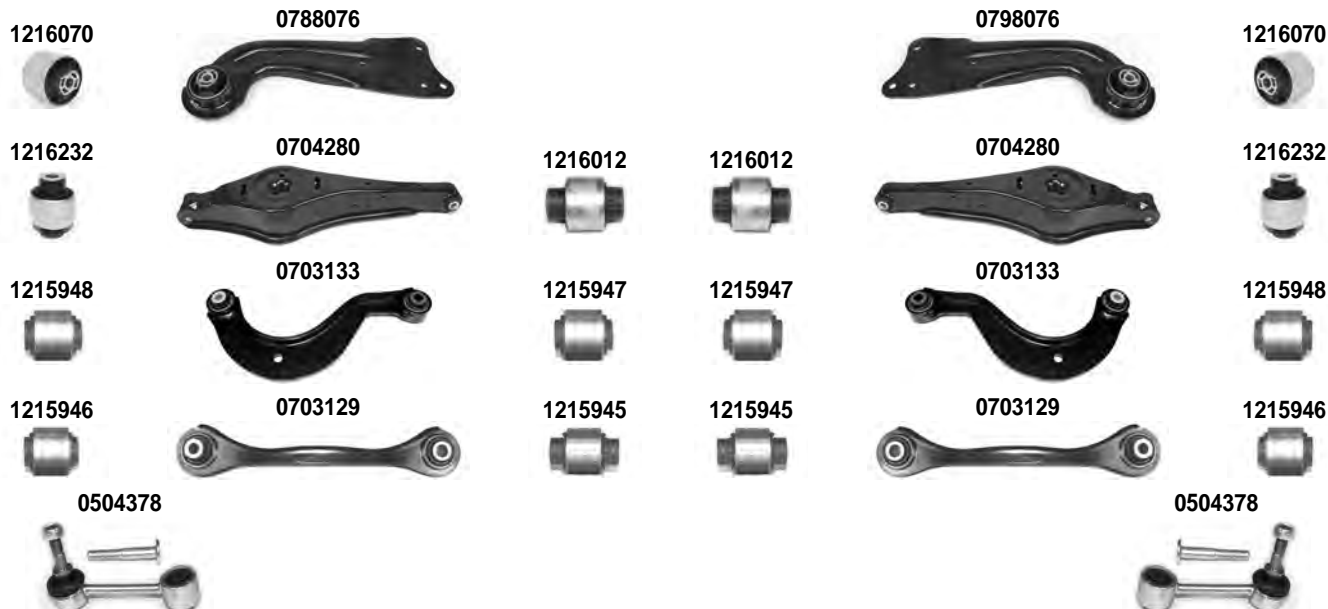
SINISTRO
LEFT

BEETLE	5C1	10/2011 >
--------	-----	-----------

Asse Posteriore



Rear Axle



OCAP	O.E.			
0504378	1K0505465K	STABILIZZATORE STABILIZER LINK		
0703129	1K0501529J	BRACCIO OSCILLANTE TRACK CONTROL ARM		
0703133	1K0505323P	BRACCIO OSCILLANTE TRACK CONTROL ARM		
0704280	1K0505311AB	BRACCIO SOSPENSIONE SUSPENSION ARM		
0788076	1K0505224K	BRACCIO OSCILLANTE TRACK CONTROL ARM		
0798076	1K0505223K	BRACCIO OSCILLANTE TRACK CONTROL ARM		
1215945	-	SILENTBLOCK - INTERNO SUSPENSION - INNER		DIAM. 12 mm.
1215946	-	SILENTBLOCK - ESTERNO SUSPENSION - OUTER		DIAM. 14 mm.
1215947	1K0505279A	SILENTBLOCK - INTERNO SUSPENSION - INNER		DIAM. 12 mm.
1215948	1K0505203A	SILENTBLOCK - ESTERNO SUSPENSION - OUTER		DIAM. 14 mm.
1216012	1K0505311AB *	SILENTBLOCK BUSHING		
1216070	1K0505541C	SILENTBLOCK BUSHING		
1216232	1K0505553A	SILENTBLOCK BUSHING		

DESTRO
RIGHT

 SINISTRO
LEFT

BORA

1999 >

Asse Anteriore



Front Axle



OCAP	O.E.		i	
0283086	1J0422812B	TESTA STERZO TIE ROD END		RHT M14x1,5
0293086	1J0422811B	TESTA STERZO TIE ROD END		RHT M14x1,5
0483037	1J0407366C	SNODO SOSPENSIONE SUSPENSION JOINT		DIAM. 15 mm.
0493037	1J0407365C	SNODO SOSPENSIONE SUSPENSION JOINT		DIAM. 15 mm.
0583085	1J0422804B	BARRA STERZO TIE ROD		
0593085	1J0422803B	BARRA STERZO TIE ROD		
0603085	1J0422807B	SNODO ASSIALE AXIAL JOINT		RHT M14x1,5
0702882	1J0407151B	BRACCIO OSCILLANTE CON SILENTBLOCK TRACK CONTROL ARM WITH BUSHING		
0903037	-	KIT CUFFIE STERZO STEERING GAITER KITS		
1211182	1J0422831	CUFFIA STERZO STEERING GAITER		
1215039	357407182	SILENTBLOCK BUSHING		
1215198	1J0407181	SILENTBLOCK BUSHING		
1249121	1H0407175A	STAFFA STIRRUP		

DESTRO
RIGHT



SINISTRO
LEFT

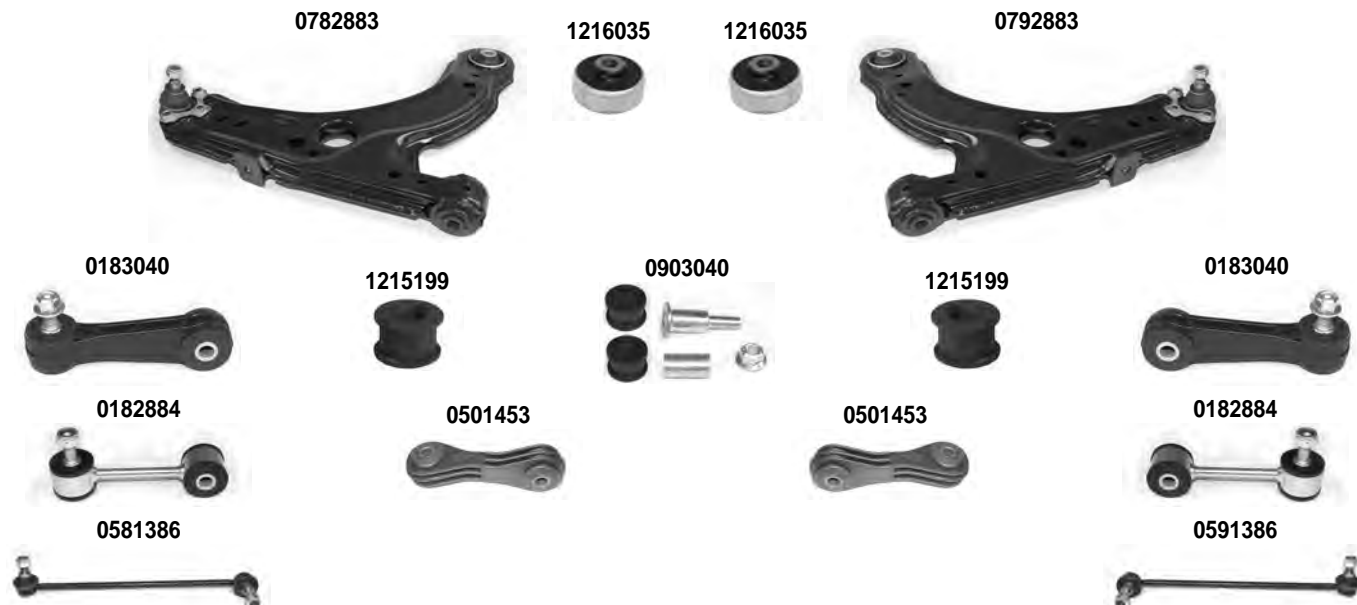
BORA

1999 >

Asse Anteriore



Front Axle



i	1) PER BARRE DIAM. 21 mm. - FOR BAR DIAM. 21 mm.	2) > CH. 1J-1-480 000
	3) CH. 1J-1-480 001 >	4) SOLO PER - ONLY FOR : MOD. 4MOTION
	7) VERSIONE RINFORZATA - REINFORCED	

OCAP	O.E.		i	
0182884	1J0411315G	STABILIZZATORE STABILIZER LINK	2)	DIAM. 23 mm.
0183040	1J0411315C	STABILIZZATORE STABILIZER LINK	1)	
0501453	1J0411315H	STABILIZZATORE STABILIZER LINK	3)	DIAM. 23 mm.
0581386	1J0411316D	STABILIZZATORE STABILIZER LINK	4)	
0591386	1J0411315D	STABILIZZATORE STABILIZER LINK	4)	
0782883	-	BRACCIO OSCILLANTE COMPLETO COMPLETE TRACK CONTROL ARM		
0792883	-	BRACCIO OSCILLANTE COMPLETO COMPLETE TRACK CONTROL ARM		
0903040	1J0411323	KIT STABILIZZATORE STABILIZER LINK KIT		
1215199	1J0411327	SILENTBLOCK PER STABILIZZATORE STABILIZER LINK BUSHING		
1216035	8N0407181B	SILENTBLOCK BUSHING	7)	

DESTRO
RIGHT

 SINISTRO
LEFT

BORA

1999 >

Asse Anteriore



Front Axle

1214128

1214133

0903041

0902885

1214142

1214089


Asse Posteriore



Rear Axle

0502118

0502119

0502119

0502118

1215200

0903137

1215200

1216151

0905577

1216151

5) SOLO PER MOD. 4MOTION SENZA DOTAZIONE STRADE DISSESTATE - ONLY FOR MOD. 4MOTION WITHOUT OFF-ROAD SUSPENSION
6) SOLO PER MOD. 4MOTION CON DOTAZIONE STRADE DISSESTATE - ONLY FOR MOD. 4MOTION WITH OFF-ROAD SUSPENSION

OCAP	O.E.		i	
0502118	1J0505466B	STABILIZZATORE STABILIZER LINK	5)	
0502119	1J0505466C	STABILIZZATORE STABILIZER LINK	6)	
0902885	1J0411336B *	KIT SILENTBLOCK BARRA STABILIZZATRICE STABILIZING BAR BUSHING KIT		DIAM. 21 mm.
0903041	1J0411336B	KIT SILENTBLOCK BARRA STABILIZZATRICE STABILIZING BAR BUSHING KIT		DIAM. 19 mm.
0903137	6R0501541A *	KIT SILENTBLOCK BUSHING KIT		DIAM. 72 mm.
0905577	1J0501541D *	KIT SILENTBLOCK BUSHING KIT		DIAM. 69 mm.
1214089	1J0411314T	SILENTBLOCK BARRA STABILIZZATRICE STABILIZING BAR BUSHING		DIAM. 21 mm.
1214128	1J0411314P	SILENTBLOCK BARRA STABILIZZATRICE STABILIZING BAR BUSHING		DIAM. 20 mm.
1214133	1J0411314S	SILENTBLOCK BARRA STABILIZZATRICE STABILIZING BAR BUSHING		DIAM. 17 mm.
1214142	1J0411314AC	SILENTBLOCK BARRA STABILIZZATRICE STABILIZING BAR BUSHING		DIAM. 18 mm.
1215200	6R0501541A	SILENTBLOCK BUSHING		DIAM. 72 mm.
1216151	1J0501541D	SILENTBLOCK BUSHING		DIAM. 69 mm.

DESTRO
RIGHT

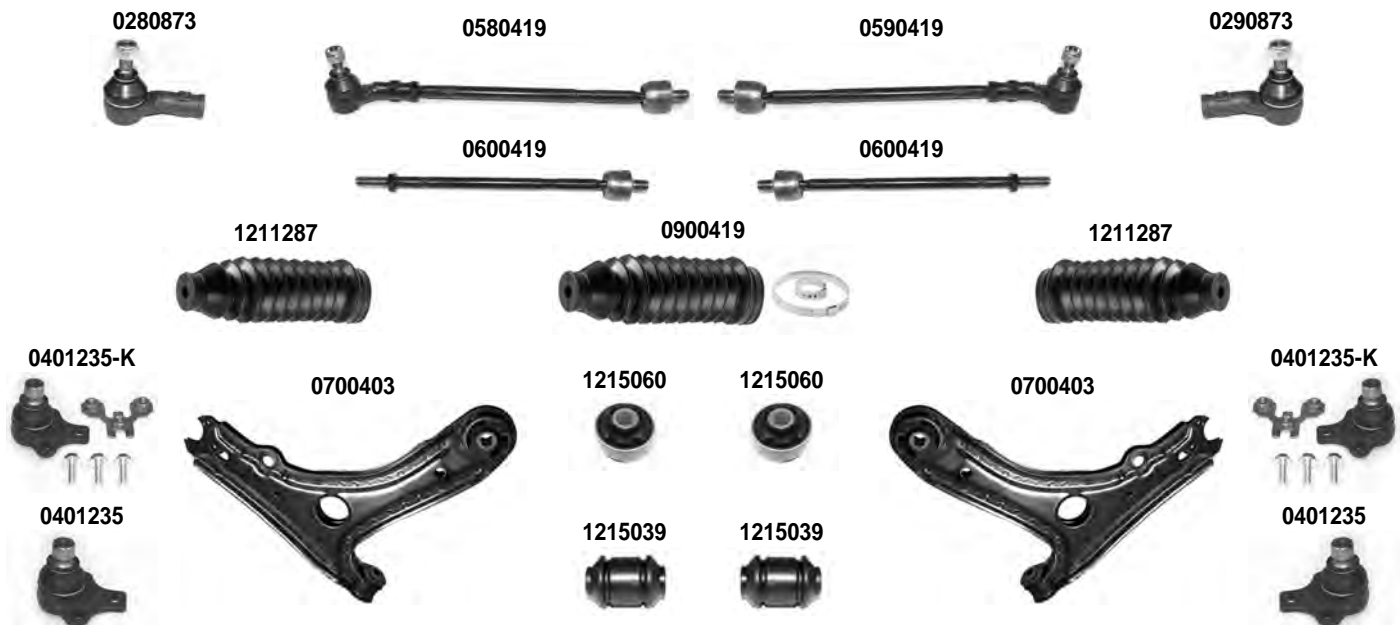


SINISTRO
LEFT

CADDY		1996 > 2004
-------	--	-------------

Asse Anteriore

Front Axle



i 1) SERVOSTERZO - POWER STEERING	2) SCATOLA STERZO - STEERING BOX - TRW
--	--

OCAP	O.E.		
0280873	191419812	TESTA STERZO TIE ROD END	RHT M14x1,5
0290873	191419811	TESTA STERZO TIE ROD END	RHT M14x1,5
0401235	357407365A	SNODO SOSPENSIONE - INFERIORE SUSPENSION JOINT - LOWER	DIAM. 19 mm.
0580419	6K0422804	BARRA STERZO TIE ROD	
0590419	6K0422803	BARRA STERZO TIE ROD	
0600419	6K0422804 *	SNODO ASSIALE AXIAL JOINT	RHT M14x1,5
0700403	191407151B	BRACCIO OSCILLANTE - CON SILENTBLOCK TRACK CONTROL ARM - WITH BUSHING	
0900419	1H0422831B *	KIT CUFFIE STERZO STEERING GAITER KITS	
1211287	1H0422831B	CUFFIA STERZO STEERING GAITER	1) 2)
1215039	357407182	SILENTBLOCK BUSHING	
1215060	191407181E	SILENTBLOCK BUSHING	
0401235-K	357407365A *	SNODO SOSPENSIONE - INFERIORE - CON KIT SUSPENSION JOINT - LOWER - WITH KIT	DIAM. 19 mm.

DESTRO
RIGHT

 SINISTRO
LEFT

CADDY

II

1996 > 2004

Asse Anteriore



Front Axle



1249079

0181236

1214112

0181236

1249079


OCAP	O.E.		i	
0181236	191411315	PUNTONE BARRA STABILIZZATRICE STABILIZER LINK		
1214112	1H0411314	SILENTBLOCK BARRA STABILIZZATRICE STABILIZING BAR BUSHING		DIAM. 19 mm.
1249079	191407175	STAFFA STIRRUP		

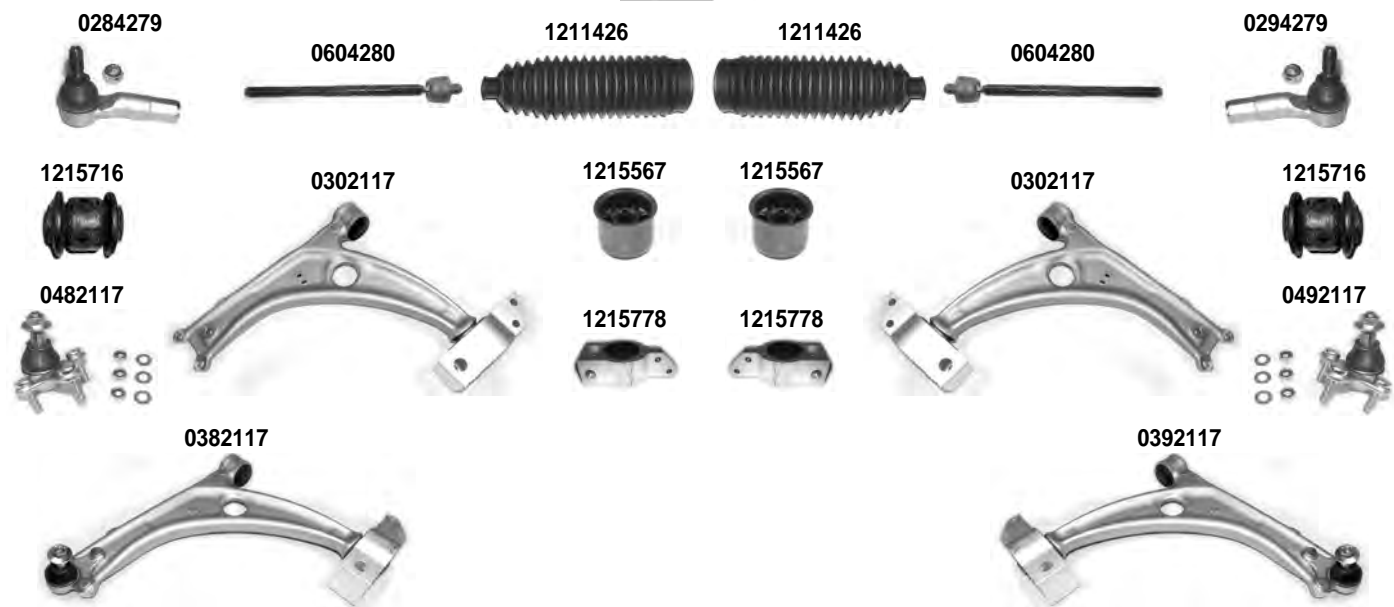


CC	358	11/2011 >
----	-----	-----------

Asse Anteriore



Front Axle



OCAP	O.E.			
0284279	1K0423812E	TESTA STERZO TIE ROD END		RHT M16x1,5
0294279	1K0423811E	TESTA STERZO TIE ROD END		RHT M16x1,5
0302117	3C0407151A	BRACCIO OSCILLANTE - INFERIORE - ALLUMINIO TRACK CONTROL ARM - LOWER - ALUMINIUM		
0382117	-	BRACCIO OSCILLANTE - INFERIORE - ALLUMINIO - CON SNODO TRACK CONTROL ARM - LOWER - ALUMINIUM - WITH BALL JOINT		
0392117	-	BRACCIO OSCILLANTE - INFERIORE - ALLUMINIO - CON SNODO TRACK CONTROL ARM - LOWER - ALUMINIUM - WITH BALL JOINT		
0482117	3C0407366B	SNODO SOSPENSIONE - INFERIORE BALL JOINT - LOWER		
0492117	3C0407365B	SNODO SOSPENSIONE - INFERIORE BALL JOINT - LOWER		
0604280	1K0423810A	SNODO ASSIALE AXIAL JOINT		RHT M16x1,5
1211426	1K0423831A	CUFFIA STERZO STEERING GAITER		
1215567	1K0407183E	SILENTBLOCK BUSHING		
1215716	1K0407182	SILENTBLOCK CENTRALE CENTRAL BUSHING		
1215778	3C0199231A	SILENTBLOCK ESTREMO - ALLUMINIO OUTER BUSHING - ALUMINIUM		

DESTRO
RIGHT



SINISTRO
LEFT

8

CC	358	11/2011 >
----	-----	-----------

Asse Anteriore



Front Axle



OCAP	O.E.		
0482117	3C0407366B	SNODO SOSPENSIONE- INFERIORE BALL JOINT - LOWER	
0492117	3C0407365B	SNODO SOSPENSIONE- INFERIORE BALL JOINT - LOWER	
0504283	1K0411315D	STABILIZZATORE STABILIZER LINK	
0782116	5N0407152 *	BRACCIO OSCILLANTE - INFERIORE - COMPLETO COMPLETE TRACK CONTROL ARM - LOWER	
0782117	5N0407152	BRACCIO OSCILLANTE - INFERIORE - LAMIERA TRACK CONTROL ARM - LOWER - SHEET METAL	
0792116	5N0407151 *	BRACCIO OSCILLANTE - INFERIORE - COMPLETO COMPLETE TRACK CONTROL ARM - LOWER	
0792117	5N0407151	BRACCIO OSCILLANTE - INFERIORE - LAMIERA TRACK CONTROL ARM - LOWER - SHEET METAL	
1215567	1K0407183E	SILENTBLOCK BUSHING	
1215716	1K0407182	SILENTBLOCK CENTRALE CENTRAL BUSHING	
1215778	3C0199231A	SILENTBLOCK ESTREMO - ALLUMINIO OUTER BUSHING - ALUMINIUM	

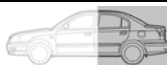
DESTRO
RIGHT



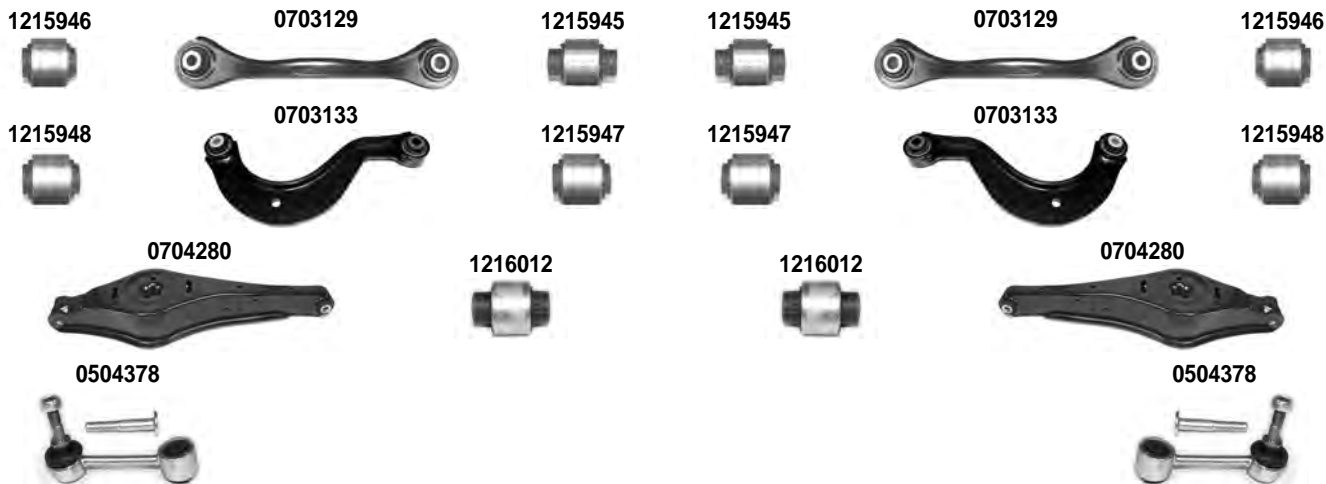
SINISTRO
LEFT

CC	358	11/2011 >
----	-----	-----------

Asse Posteriore



Rear Axle



OCAP	O.E.			
0504378	1K0505465K	STABILIZZATORE STABILIZER LINK		
0703129	1K0501529J	BRACCIO OSCILLANTE CONTROL ARM		
0703133	1K0505323N	BRACCIO SOSPENSIONE SUSPENSION ARM		
0704280	1K0505311AB	BRACCIO SOSPENSIONE SUSPENSION ARM		
1215945	-	SILENTBLOCK - INTERNO SUSPENSION - INNER		DIAM. 12 mm.
1215946	-	SILENTBLOCK - ESTERNO SUSPENSION - OUTER		DIAM. 14 mm.
1215947	1K0505279A	SILENTBLOCK - INTERNO SUSPENSION - INNER		DIAM. 12 mm.
1215948	1K0505203A	SILENTBLOCK - ESTERNO SUSPENSION - OUTER		DIAM. 14 mm.
1216012	-	SILENTBLOCK BUSHING		

DESTRO
RIGHT



SINISTRO
LEFT

CRAFTER

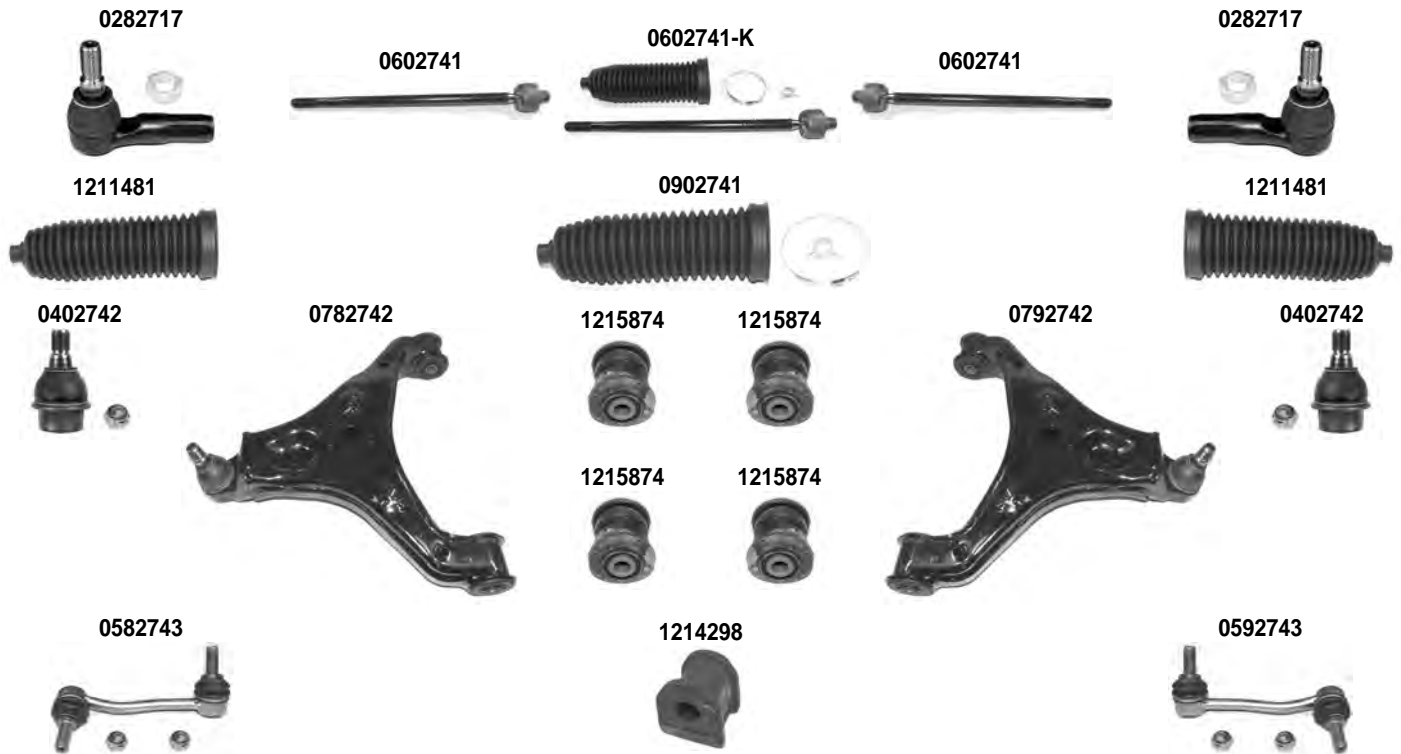
2E - 2F

04/2006 > 2016

Asse Anteriore



Front Axle



OCAP	O.E.		
0282717	2E0498104	TESTA STERZO TIE ROD END	RHT M16x1,5
0402742	2E0407152M *	SNODO SOSPENSIONE - INFERIORE BALL JOINT - LOWER	
0582743	2E0411318C	STABILIZZATORE STABILIZER LINK	
0592743	2E0411317C	STABILIZZATORE STABILIZER LINK	
0602741	2E0713491 *	SNODO ASSIALE AXIAL JOINT	RHT M16x1,5
0782742	2E0407152M	BRACCIO OSCILLANTE - INFERIORE TRACK CONTROL ARM - LOWER	
0792742	2E0407151M	BRACCIO OSCILLANTE - INFERIORE TRACK CONTROL ARM - LOWER	
0902741	2E0713115	KIT CUFFIA STERZO STEERING BOX KIT	
1211481	2E0713115 *	CUFFIA STERZO STEERING BOX	
1214298	2E0411041C	SILENTBLOCK BARRA STABILIZZATRICE STABILIZING BAR BUSHING	DIAM. 16 mm.
1215874	2E0407523	SILENTBLOCK BRACCIO OSCILLANTE TRACK CONTROL ARM BUSHING	
0602741-K	2E0713491	KIT SNODO ASSIALE AXIAL JOINT KIT	RHT M16x1,5

CRAFTER

DESTRO
RIGHT

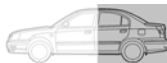


SINISTRO
LEFT

CRAFTER	2E - 2F	04/2006 > 2016
---------	---------	----------------

Asse Posteriore

Rear Axle



0502744



1215817



1215817



0502744



1214223



1214228



OCAP	O.E.			
0502744	2E0511051F	STABILIZZATORE STABILIZER LINK		
1214223	2D0511413B	SILENTBLOCK BARRA STABILIZZATRICE STABILIZING BAR BUSHING		DIAM. 27 mm.
1214228	2D0511413C	SILENTBLOCK BARRA STABILIZZATRICE STABILIZING BAR BUSHING		DIAM. 30 mm.
1215817	2E0511051F	SILENTBLOCK STABILIZZATORE STABILIZER LINK BUSHING		

DESTRO
RIGHTSINISTRO
LEFT

CRAFTER

SY - SX - SZ

09/2016 >

Asse Anteriore



Front Axle

0288675



0608675



0608675



0298675



0408675



0408675



1216420



1216420



0588675



0598675



OCAP	O.E.		
0288675	2N0423812	TESTA STERZO TIE ROD END	RHT M20x1,5
0298675	2N0423811	TESTA STERZO TIE ROD END	RHT M20x1,5
0408675	2N0407361A	SNODO SOSPENSIONE - CON KIT VITI BALL JOINT - WITH BOLT KIT	
0588675	2N0411318A	STABILIZZATORE STABILIZER LINK	
0598675	2N0411317B	STABILIZZATORE STABILIZER LINK	
0608675	2N0423810	SNODO ASSIALE AXIAL JOINT	RHT M20x1,5
1216420	2N0407183A	SILENTBLOCK BUSHING	



FOX	1984 > 1994
-----	-------------

Asse Anteriore



Front Axle

0580380

0590380



0280169



0900382



0900382



0280169



0480093



0480381



0490381



0490093



i 1) > 12/1992	2) 01/1993 >
-----------------------	--------------

OCAP	O.E.		i	
0280169	3074198121	TESTA STERZO TIE ROD END		
0480093	3074073662	SNODO SOSPENSIONE - INFERIORE SUSPENSION JOINT - LOWER	1)	
0480381	3074073665	SNODO SOSPENSIONE - INFERIORE SUSPENSION JOINT - LOWER	2)	
0490093	3074073652	SNODO SOSPENSIONE - INFERIORE SUSPENSION JOINT - LOWER	1)	
0490381	3074073655	SNODO SOSPENSIONE - INFERIORE SUSPENSION JOINT - LOWER	2)	
0580380	3074198021	BARRA STERZO TIE ROD		
0590380	3074198011	BARRA STERZO TIE ROD		
0900382	-	GIUNTO COLLEGAMENTO ADJUSTING BOLT		

DESTRO
RIGHT



SINISTRO
LEFT

FOX

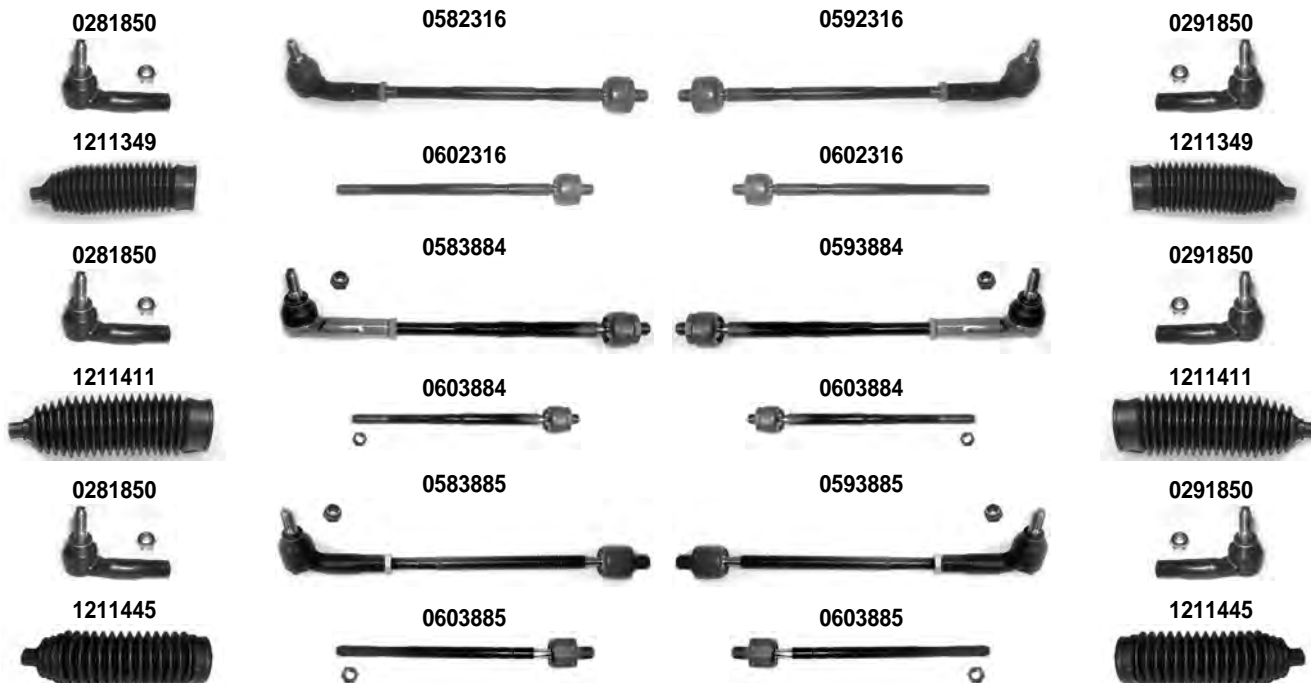
FOX

2005 >

Asse Anteriore



Front Axle



<p>i 1) SERVOSTERZO IDRAULICO - HYDRAULIC POWER STEERING</p> <p>3) SCATOLA STERZO - STEERING BOX - TRW</p> <p>5) SERVOSTERZO ELETTRICO/IDRAULICO - ELECTRICAL/HYDRAULIC POWER STEERING</p>	<p>2) SERVOSTERZO - POWER STEERING</p> <p>4) SCATOLA STERZO - STEERING BOX - SMI-KOYO</p>
---	---

OCAP	O.E.		i	
0281850	6R0423812	TESTA STERZO TIE ROD END		
0291850	6R0423811	TESTA STERZO TIE ROD END		
0582316	6Q0423804F	BARRA STERZO TIE ROD	1)	
0583884	6Q0423804E	BARRA STERZO TIE ROD	2) 3)	
0583885	6Q0423804G	BARRA STERZO TIE ROD	4) 5)	
0592316	6Q0423803F	BARRA STERZO TIE ROD	1)	
0593884	6Q0423803E	BARRA STERZO TIE ROD	2) 3)	
0593885	6Q0423803G	BARRA STERZO TIE ROD	4) 5)	
0602316	-	SNODO ASSIALE AXIAL JOINT	1)	
0603884	6Q0423804E *	SNODO ASSIALE AXIAL JOINT	2) 3)	
0603885	6Q0423804G *	SNODO ASSIALE AXIAL JOINT	4) 5)	
1211349	6E0419831	CUFFIA STERZO STEERING GAITER	1)	
1211411	6Q0423831D	CUFFIA STERZO STEERING GAITER	2) 3)	
1211445	5Z0422831	CUFFIA STERZO STEERING GAITER	4) 5)	



FOX	2005 >
-----	--------

Asse Anteriore



Front Axle



OCAP	O.E.		
0481852	6Q0407366A	SNODO SOSPENSIONE - CON KIT VITI BALL JOINT - WITH BOLT KIT	
0491852	6Q0407365A	SNODO SOSPENSIONE - CON KIT VITI BALL JOINT - WITH BOLT KIT	
0501390	6Q0411315G	STABILIZZATORE STABILIZER LINK	
0701852	6Q0407151L	BRACCIO OSCILLANTE TRACK CONTROL ARM	
0781852	-	BRACCIO OSCILLANTE COMPLETO COMPLETE TRACK CONTROL ARM	
0791852	-	BRACCIO OSCILLANTE COMPLETO COMPLETE TRACK CONTROL ARM	
1214092	6Q0411314L	SILENTBLOCK BARRA STABILIZZATRICE STABILIZING BAR BUSHING	DIAM. 16 mm.
1215558	6Q0407182A	SILENTBLOCK CENTRALE CENTRAL BUSHING	
1215567	1K0407183E	SILENTBLOCK ESTREMO OUTER BUSHING	
1249203	6N0407175A	STAFFA STIRRUP	
1249650	6Q0199294D	SUPPORTO BRACCIO CONTROL ARM SUPPORT	
1249651	6Q0199293D	SUPPORTO BRACCIO CONTROL ARM SUPPORT	

DESTRO
RIGHT



SINISTRO
LEFT

FOX

2005 >

Asse Posteriore



Rear Axle

1215200





0903137



1215200



OCAP	O.E.		
0903137	6R0501541A *	KIT SILENTBLOCK BUSHING KIT	DIAM. 72 mm.
1215200	6R0501541A	SILENTBLOCK BUSHING	DIAM. 72 mm.

GOL

DESTRO
RIGHT



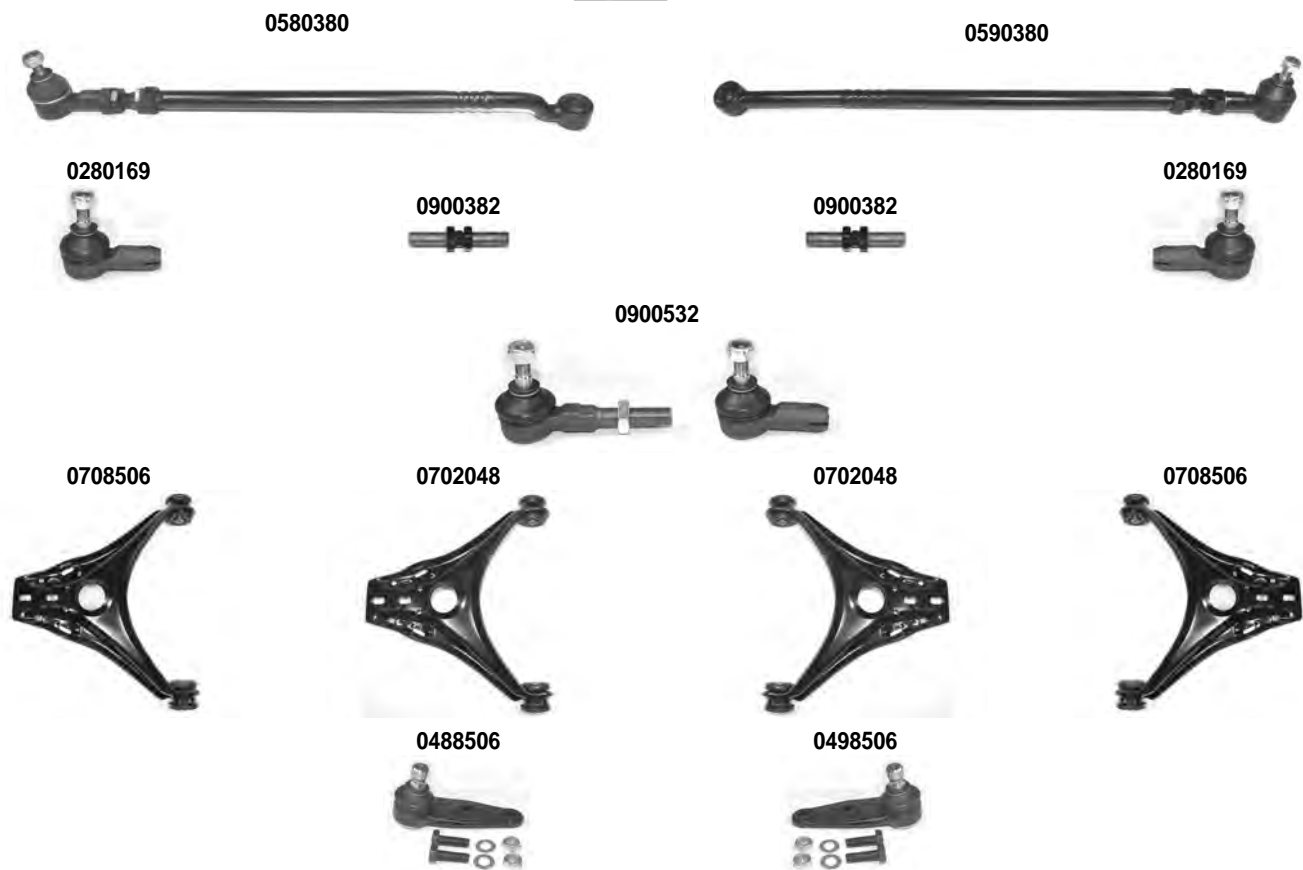
SINISTRO
LEFT

GOL		1984>
-----	--	-------

Asse Anteriore



Front Axle



<p>i 1) > 1992 3) KIT: 0180532 + 0280169 5) SERVOSTERZO - POWER STEERING ></p>	<p>2) > 1994 4) 01/1993 > 6) O.E.: SOLO PER MERCATO BRASILE - ONLY FOR BRAZILIAN MARKET</p>
---	---

OCAP	O.E.		i	
0280169	3074198121	TESTA STERZO TIE ROD END		RHT M14x1,5
0488506	377407366B	SNODO SOSPENSIONE SUSPENSION JOINT	5)6)	
0498506	377407365B	SNODO SOSPENSIONE SUSPENSION JOINT	5)6)	
0580380	3074198021	BARRA STERZO TIE ROD	2)	
0590380	3074198011	BARRA STERZO TIE ROD	2)	
0702048	823407147	BRACCIO OSCILLANTE TRACK CONTROL ARM	4)	
0708506	3054071551C	BRACCIO OSCILLANTE TRACK CONTROL ARM	1)	
0900382	-	GIUNTO COLLEGAMENTO ADJUSTING BOLT		
0900532	-	KIT TESTE STERZO TIE RODS KIT	3)	

DESTRO
RIGHT



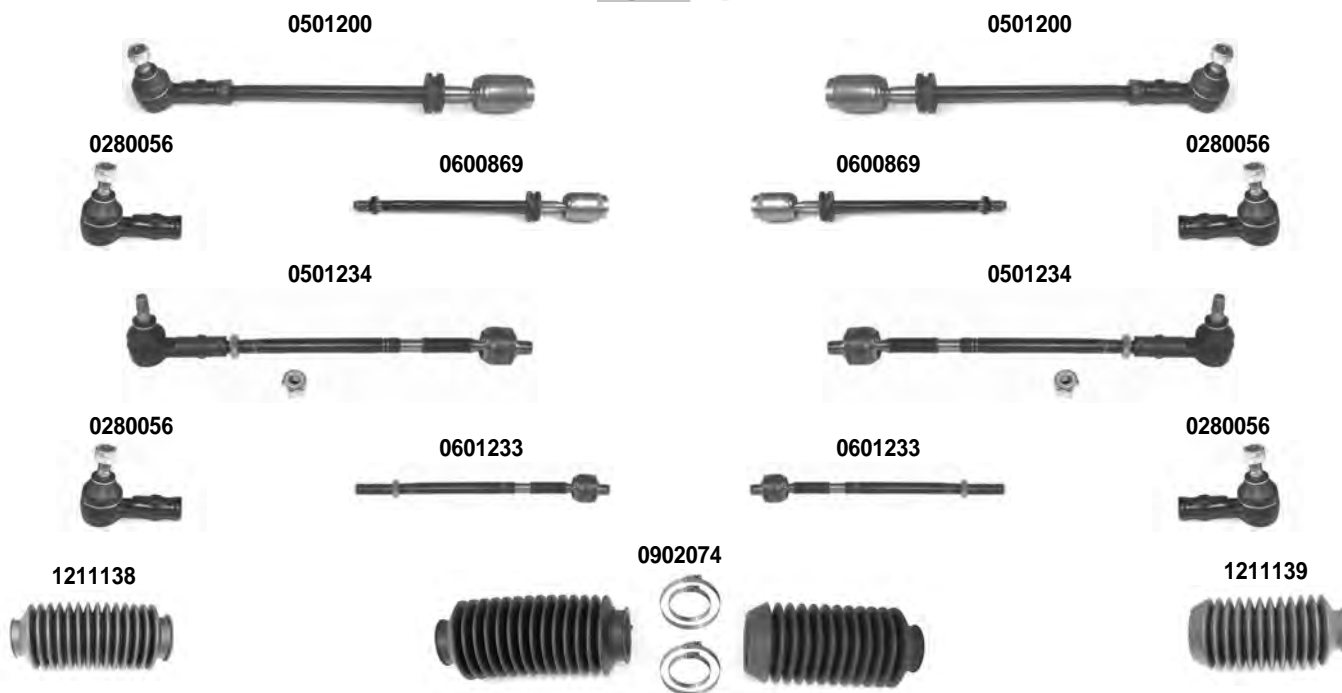
SINISTRO
LEFT

GOLF I - CARIBE	17	1974 > 1985
JETTA I	16	1978 > 1984
SCIROCCO I-II	53-53B	1974 > 1992
CADDY I	14	1979 > 1992

Asse Anteriore



Front Axle



1) STERZO MANUALE - MANUAL STEERING			2) SERVOSTERZO - POWER STEERING	
OCAP	O.E.			
0280056	171419811A	TESTA STERZO TIE ROD END	1)	RHT M14x1,5
0501200	175419804	BARRA STERZO TIE ROD	1)	
0501234	175422803	BARRA STERZO TIE ROD	2)	
0600869	171419821A	SNODO ASSIALE AXIAL JOINT	1)	
0601233	-	SNODO ASSIALE AXIAL JOINT	2)	
0902074	171419832C *	KIT CUFFIE STERZO STEERING GAITER KITS		
1211138	171419832C	CUFFIA STERZO STEERING GAITER		
1211139	171419831C	CUFFIA STERZO STEERING GAITER		

DESTRO
RIGHT



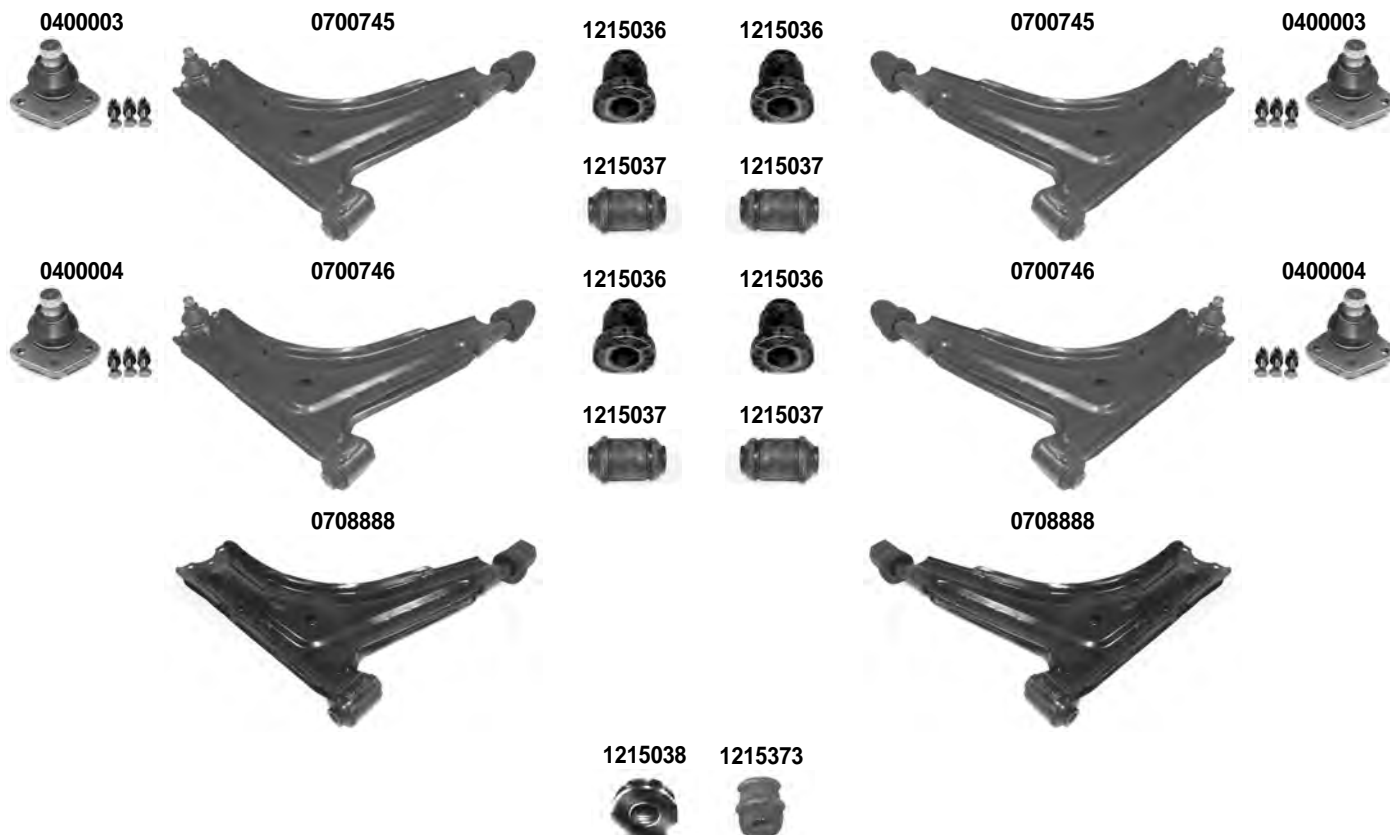
SINISTRO
LEFT

GOLF I - CARIBE	17	1974 > 1985
JETTA I	16	1978 > 1984
SCIROCCO I-II	53-53B	1974 > 1992
CADDY I	14	1979 > 1992

Asse Anteriore



Front Axle



<p>i 3) > 10/1977 5) SCIROCCO > CH. 5382028902 7) GOLF CH. 178317584 9) SENZA SNODO SOSPENSIONE - WITHOUT BALL JOINT</p>	<p>4) GOLF > CH. 178317583 6) 11/1977 > 8) SCIROCCO CH. 5382028903 ></p>
---	---

OCAP	O.E.		i	
0400003	171407365D	SNODO SOSPENSIONE - INFERIORE SUSPENSION JOINT - LOWER	3) 4) 5)	DIAM. 15 mm.
0400004	171407365F	SNODO SOSPENSIONE - INFERIORE SUSPENSION JOINT - LOWER	6) 7) 8)	DIAM. 17 mm.
0700745	-	BRACCIO OSCILLANTE - COMPLETO COMPLETE TRACK CONTROL ARM	3)	
0700746	-	BRACCIO OSCILLANTE - COMPLETO COMPLETE TRACK CONTROL ARM	4)	
0708888	171407153D	BRACCIO OSCILLANTE - INFERIORE TRACK CONTROL ARM - LOWER	9)	
1215036	171407181A	SILENTBLOCK ESTREMO OUTER BUSHING		
1215037	171407182D	SILENTBLOCK CENTRALE CENTRAL BUSHING		
1215038	171411314A	SILENTBLOCK BARRA STABILIZZATRICE - LATO INTERNO STABILIZING BAR BUSHING - INNER SIDE		DIAM. 15 mm.
1215373	171411313	BOCCOLA BARRA STABILIZZATRICE - LATO ESTERNO STABILIZING BAR BUSHING - OUTER SIDE		DIAM. 15 mm.

DESTRO
RIGHT

 SINISTRO
LEFT

GOLF II
JETTA II
CORRADO

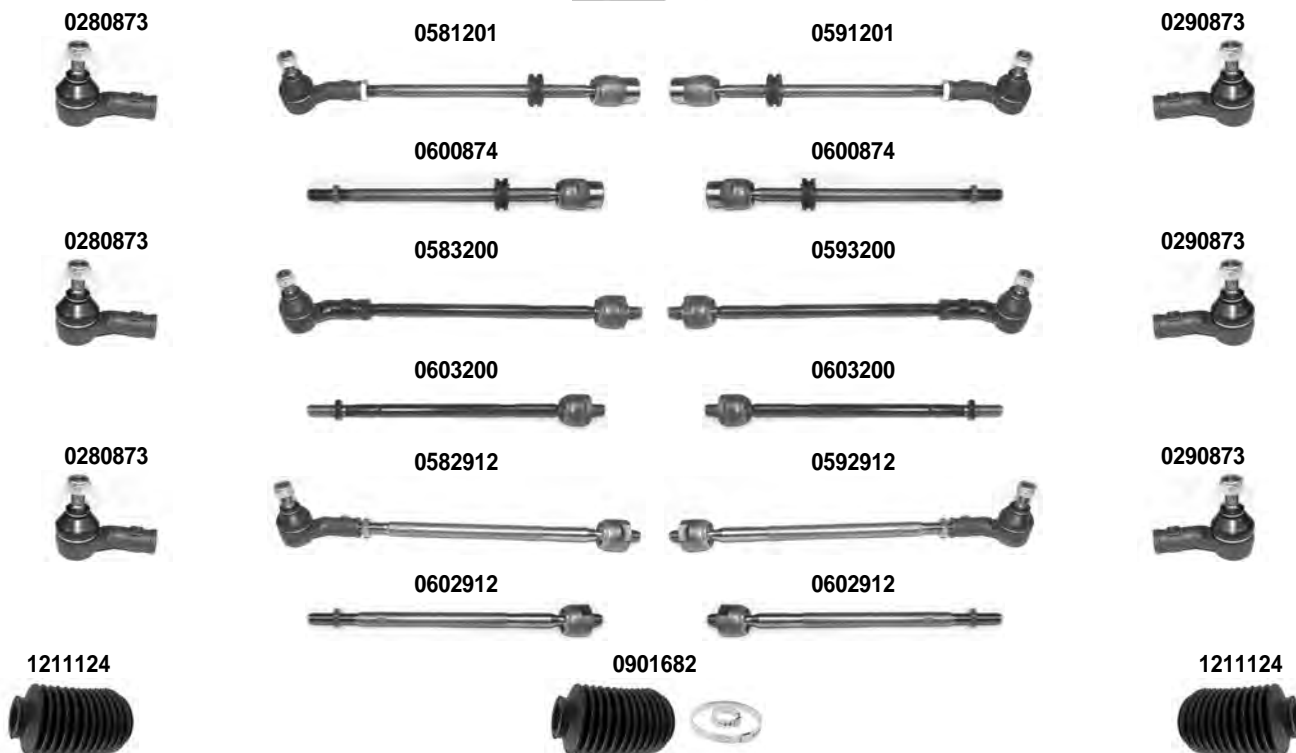
 19E-1G1
19E-1G2-165
53

 1983 > 1992
1983 > 1992
1987 > 1995

Asse Anteriore



Front Axle


i 1) STERZO MANUALE - MANUAL STEERING
3) SCATOLA STERZO - STEERING BOX - ZF

2) SERVOSTERZO - POWER STEERING

OCAP	O.E.		i	
0280873	191419812	TESTA STERZO TIE ROD END		RHT M14x1,5
0290873	191419811	TESTA STERZO TIE ROD END		RHT M14x1,5
0581201	191419804A	BARRA STERZO TIE ROD	1)	
0582912	191422804C	BARRA STERZO TIE ROD	3)	
0583200	191422804A	BARRA STERZO TIE ROD	2)	
0591201	191419803A	BARRA STERZO TIE ROD	1)	
0592912	191422803C	BARRA STERZO TIE ROD	3)	
0593200	191422803A	BARRA STERZO TIE ROD	2)	
0600874	191419821	SNODO ASSIALE AXIAL JOINT	1)	RHT M14x1,5
0602912	-	SNODO ASSIALE AXIAL JOINT	3)	RHT M14x1,5
0603200	-	SNODO ASSIALE AXIAL JOINT	2)	RHT M14x1,5
0901682	-	KIT CUFFIE STERZO STEERING GAITER KITS	1)	
1211124	191419831	CUFFIA STERZO STEERING GAITER	1)	

DESTRO
RIGHT



SINISTRO
LEFT

GOLF II JETTA II CORRADO	19E-1G1 19E-1G2-165 53	1983 > 1992 1983 > 1992 1987 > 1995
--------------------------------	------------------------------	---

Asse Anteriore



Front Axle



i 2) SERVOSTERZO - POWER STEERING 5) CON SILENTBLOCK - WITH BUSHING	4) SCATOLA STERZO - STEERING BOX - TRW 6) > 07/1987
---	--

OCAP	O.E.		i	
0400875	191407365B	SNODO SOSPENSIONE - INFERIORE SUSPENSION JOINT - LOWER	6)	DIAM. 17 mm.
0700403	191407151B	BRACCIO OSCILLANTE - INFERIORE TRACK CONTROL ARM - LOWER	5)	
0700747	191407151B *	BRACCIO OSCILLANTE - INFERIORE - COMPLETO TRACK CONTROL ARM LOWER - COMPLETE		
0900419	-	KIT CUFFIE STERZO STEERING GAITER KITS	2)	
1211287	1H0422831B	CUFFIA STERZO STEERING GAITER	2) 4)	
1214010	191407181A	SILENTBLOCK ESTREMO - PRIMA SERIE OUTER BUSHING - OLD SERIES		
1215039	357407182	SILENTBLOCK BUSHING		
0400875-K	191407365B *	SNODO SOSPENSIONE - INFERIORE - CON KIT SUSPENSION JOINT - LOWER - WITH KIT	6)	DIAM. 17 mm.

DESTRO
RIGHTSINISTRO
LEFTGOLF II
JETTA II
CORRADO19E-1G1
19E-1G2-165
531983 > 1992
1983 > 1992
1987 > 1995

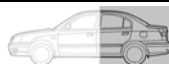
Asse Anteriore



Front Axle



Asse Posteriore



Rear Axle

1215505



1215505



7) 08/1987 >		8) ECCETTO - EXCEPT - CORRADO		
OCAP	O.E.			
0181236	191411315	PUNTOLE BARRA STABILIZZATRICE STABILIZER LINK		
0401235	357407365A	SNODO SOSPENSIONE - INFERIORE SUSPENSION JOINT - LOWER	7)	DIAM. 19 mm.
0701237	191407153A *	BRACCIO OSCILLANTE - INFERIORE - COMPLETO TRACK CONTROL ARM LOWER - COMPLETE		
1214112	1H0411314	SILENTBLOCK BARRA STABILIZZATRICE STABILIZING BAR BUSHING	8)	DIAM. 19 mm.
1215038	171411314A	SILENTBLOCK BARRA STABILIZZATRICE - LATO INTERNO STABILIZING BAR BUSHING - INNER SIDE		DIAM. 15 mm.
1215039	357407182	SILENTBLOCK CENTRALE CENTRAL BUSHING		
1215060	191407181E	SILENTBLOCK ESTREMO - SECONDA SERIE EXTREME BUSHING - NEW SERIES		
1215373	171411313	BOCCOLA BARRA STABILIZZATRICE - LATO ESTERNO STABILIZING BAR BUSHING - OUTER SIDE		DIAM. 15 mm.
1215413	191407190A	BOCCOLA CENTRAGGIO BRACCIO BUSHING TO CENTRE CONTROL ARM		
1215505	191501541	SILENTBLOCK ASSE SOSPENSIONE SUSPENSION AXLE BUSHING		
1249079	191407175	STAFFA STIRRUP		
0181236-K	191411315 *	KIT PUNTOLE BARRA STABILIZZATRICE STABILIZER LINK KIT		
0401235-K	357407365A *	SNODO SOSPENSIONE - INFERIORE - CON KIT SUSPENSION JOINT - LOWER - WITH KIT	7)	DIAM. 19 mm.

DESTRO
RIGHT



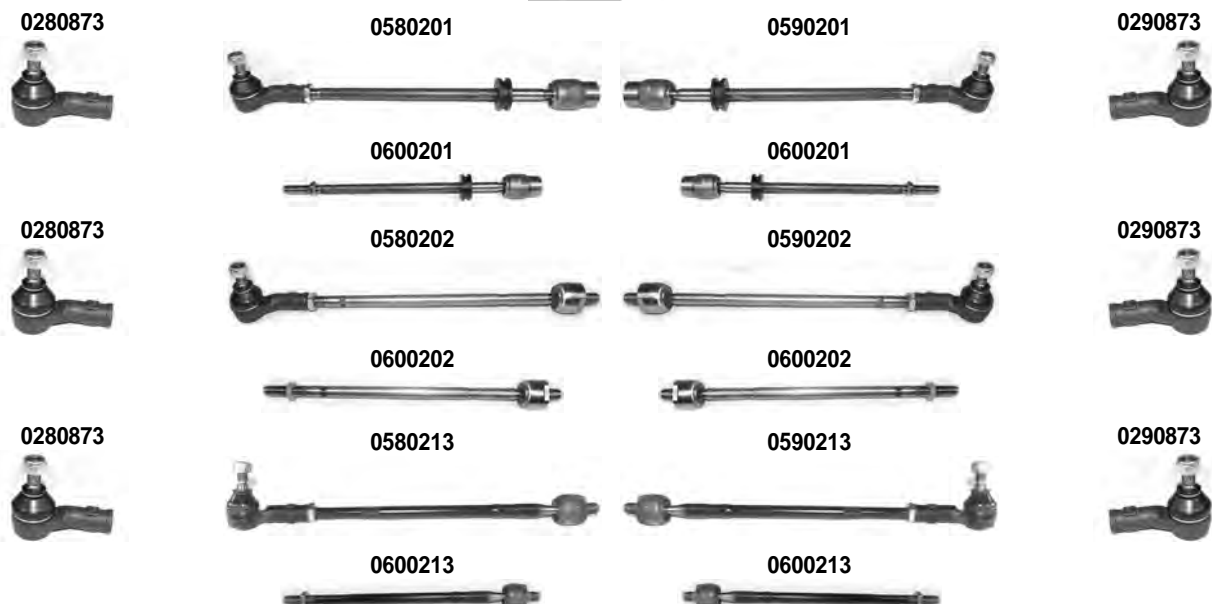
SINISTRO
LEFT

GOLF III	1H1	1991 > 1998
GOLF III CABRIOLET	155	1993 > 1998
GOLF III VARIANT	1H5	1993 > 1999

Asse Anteriore



Front Axle



i 1) STERZO MANUALE - MANUAL STEERING 3) SCATOLA STERZO - STEERING BOX - TRW 5) SCATOLA STERZO - STEERING BOX - ZF	2) SERVOSTERZO - POWER STEERING 4) SCATOLA STERZO - STEERING BOX - XTR - USA
---	---

OCAP	O.E.		i	
0280873	191419812	TESTA STERZO TIE ROD END		RHT M14x1,5
0290873	191419811	TESTA STERZO TIE ROD END		RHT M14x1,5
0580201	1H0419804	BARRA STERZO TIE ROD	1)	
0580202	1H0422804	BARRA STERZO TIE ROD	2) 3) 4)	
0580213	1H0422804B	BARRA STERZO TIE ROD	2) 5)	
0590201	1H0419803	BARRA STERZO TIE ROD	1)	
0590202	1H0422803	BARRA STERZO TIE ROD	2) 3) 4)	
0590213	1H0422803B	BARRA STERZO TIE ROD	2) 5)	
0600201	1H0419821	SNODO ASSIALE AXIAL JOINT	1)	RHT M14x1,5
0600202	-	SNODO ASSIALE AXIAL JOINT	2) 3)	RHT M14x1,5
0600213	1H0422821	SNODO ASSIALE AXIAL JOINT	2) 5)	RHT M14x1,5

DESTRO
RIGHT

 SINISTRO
LEFT

GOLF III GOLF III CABRIOLET GOLF III VARIANT	1H1 155 1H5	1991 > 1998 1993 > 1998 1993 > 1999
--	-------------------	---

Asse Anteriore



Front Axle



i 1) STERZO MANUALE - MANUAL STEERING 5) SCATOLA STERZO - STEERING BOX - ZF	2) SERVOSTERZO - POWER STEERING 6) CON SILENTBLOCK - WITH BUSHING
---	--

OCAP	O.E.		i	
0401235	357407365A	SNODO SOSPENSIONE - INFERIORE SUSPENSION JOINT - LOWER		DIAM. 19 mm.
0700104	1H0407151 **	BRACCIO OSCILLANTE COMPLETO COMPLETE TRACK CONTROL ARM		
0700203	1H0407151	BRACCIO OSCILLANTE - INFERIORE TRACK CONTROL ARM - LOWER	6)	
0901682	191419831 *	KIT CUFFIE STERZO STEERING GAITER KITS	1)	
0903048	357422831B *	KIT CUFFIE STERZO STEERING GAITER KITS	2) 5)	
1211124	191419831	CUFFIA STERZO STEERING GAITER	1)	
1211180	6N0422831	CUFFIA STERZO STEERING GAITER	2) 5)	
1215039	357407182	SILENTBLOCK BUSHING		
1215060	191407181E	SILENTBLOCK BUSHING		
0401235-K	-	SNODO SOSPENSIONE - INFERIORE - CON KIT SUSPENSION JOINT - LOWER - WITH KIT		DIAM. 19 mm.

DESTRO
RIGHT



SINISTRO
LEFT

GOLF III GOLF III CABRIOLET GOLF III VARIANT	1H1 155 1H5	1991 > 1998 1993 > 1998 1993 > 1999
--	-------------------	---

Asse Anteriore



Front Axle

1249079



0181099



0181099-K



0181099



1249079



0900040



0902419



0900040



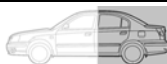
1215411



1214112



Asse Posteriore



Rear Axle

1215657



1215657



i 7) ECCEPPO - EXCEPT: VARIANT

OCAP	O.E.		i	
0181099	191411315B	PUNTOLE BARRA STABILIZZATRICE STABILIZER LINK		
0900040	357407365A *	KIT RIPARAZIONE BRACCIO REPAIRING KIT CONTROL ARM		
0902419	191407175 *	KIT RIPARAZIONE BRACCIO REPAIRING KIT CONTROL ARM		
1214112	1H0411314	SILENTBLOCK BARRA STABILIZZATRICE STABILIZING BAR BUSHING		DIAM. 19 mm.
1215411	191411314	BOCCOLA BARRA STABILIZZATRICE STABILIZING BAR BUSHING		DIAM. 17 mm.
1215657	1H0501541A	SILENTBLOCK SOSPENSIONE BUSHING SUSPENSION	7)	
1249079	191407175	STAFFA STIRRUP		
0181099-K	191411315B *	KIT PUNTOLE BARRA STABILIZZATRICE STABILIZER LINK KIT		

DESTRO
RIGHT

 SINISTRO
LEFT

**GOLF III GTI/ GTI 16V/VR6
VENTO**

 1H1
1H2

 1991 > 1998
1991 > 1998

Asse Anteriore



Front Axle



ⓘ 1) SERVOSTERZO - POWER STEERING 3) SCATOLA STERZO - STEERING BOX: ZF			2) STERZO MANUALE - MANUAL STEERING	
OCAP	O.E.		ⓘ	🔧
0280873	191419812	TESTA STERZO TIE ROD END		RHT M14x1,5
0290873	191419811	TESTA STERZO TIE ROD END		RHT M14x1,5
0580202	1H0422804A	BARRA STERZO TIE ROD	1)	
0590202	1H0422803A	BARRA STERZO TIE ROD	1)	
0600202	-	SNODO ASSIALE AXIAL JOINT	1)	RHT M14x1,5
0901682	191419831 *	KIT CUFFIE STERZO STEERING GAITER KITS	2)	
0903048	357422831B *	KIT CUFFIE STERZO STEERING GAITER KITS	1) 3)	
1211124	191419831	CUFFIA STERZO STEERING GAITER	2)	
1211180	6N0422831	CUFFIA STERZO STEERING GAITER	1) 3)	

DESTRO
RIGHT



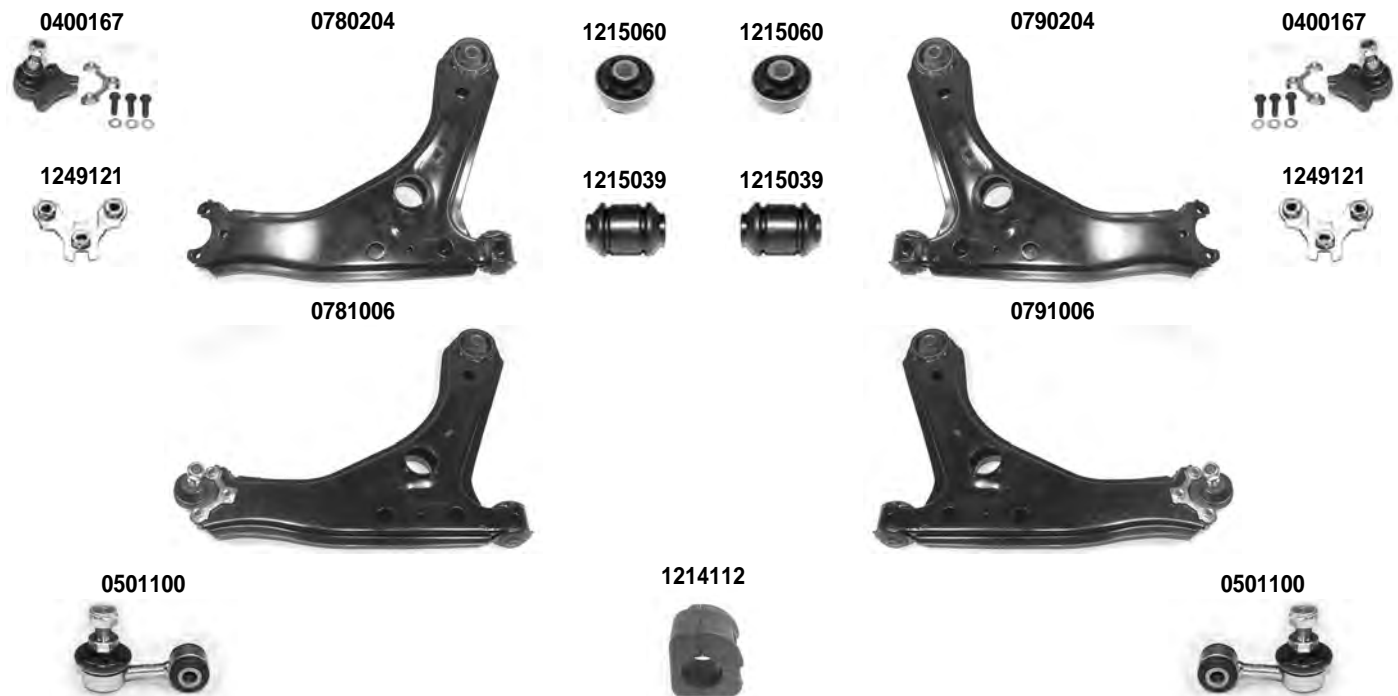
SINISTRO
LEFT

GOLF III GTI/ GTI 16V/VR6 VENTO	1H1 1H2	1991 > 1998 1991 > 1998
--	------------	----------------------------

Asse Anteriore



Front Axle



Asse Posteriore



Rear Axle

1215657



1215657



OCAP	O.E.			
0400167	1H0407365	SNODO SOSPENSIONE - INFERIORE SUSPENSION JOINT - LOWER		DIAM. 16,4 mm.
0501100	535411315	STABILIZZATORE STABILIZER LINK		
0780204	1H0407152	BRACCIO OSCILLANTE - INFERIORE - CON SILENTBLOCK TRACK CONTROL ARM - LOWER - WITH BUSHING		
0781006	1H0407152 *	BRACCIO OSCILLANTE - INFERIORE - COMPLETO COMPLETE TRACK CONTROL ARM - LOWER		
0790204	1H0407151A	BRACCIO OSCILLANTE - INFERIORE - CON SILENTBLOCK TRACK CONTROL ARM - LOWER - WITH BUSHING		
0791006	1H0407151A *	BRACCIO OSCILLANTE - INFERIORE - COMPLETO COMPLETE TRACK CONTROL ARM - LOWER		
1214112	1H0411314	SILENTBLOCK BARRA STABILIZZATRICE STABILIZING BAR BUSHING		DIAM. 19 mm.
1215039	357407182	SILENTBLOCK BUSHING		
1215060	191407181E	SILENTBLOCK BUSHING		
1215657	1H0501541A	SILENTBLOCK SOSPENSIONE POSTERIORE BUSHING REAR SUSPENSION		
1249121	1H0407175A	STAFFA STIRRUP		

DESTRO
RIGHT

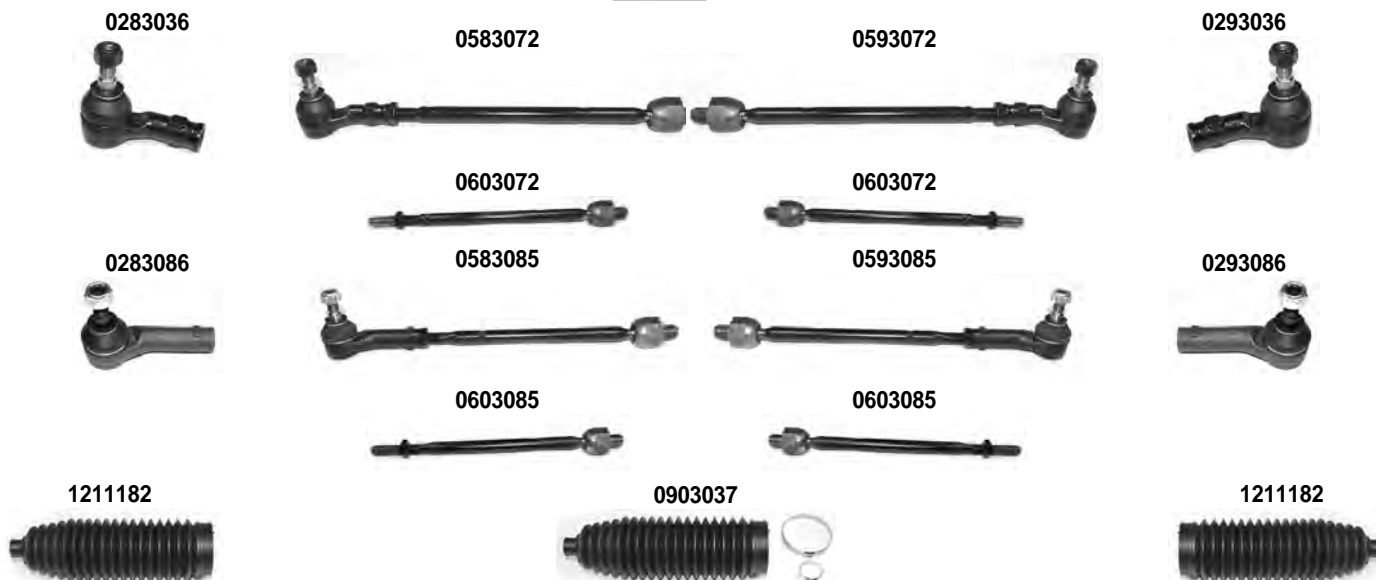
 SINISTRO
LEFT

GOLF IV GOLF IV CABRIOLET GOLF IV VARIANT	1J1 1E7 1J5	1997 > 2005 1998 > 2002 1999 > 2006
---	-------------------	---

Asse Anteriore



Front Axle



i	1) ECCETTO R32 4 MOTION - EXCEPT R32 4 MOTION	2) > 1J-WP050832 - > 1J-WD039150 > 1J-WB027484 - > 1J-WW062359
	3) 1J-WP050833 > - 1J-WD039151 > 1J-WB027485 > - 1J-WW062360 >	

OCAP	O.E.		i	
0283036	1J0422812A	TESTA STERZO TIE ROD END	2)	RHT M14x1,5
0283086	1J0422812B	TESTA STERZO TIE ROD END	3)	RHT M14x1,5
0293036	1J0422811A	TESTA STERZO TIE ROD END	2)	RHT M14x1,5
0293086	1J0422811B	TESTA STERZO TIE ROD END	3)	RHT M14x1,5
0583072	1J0422804A	BARRA STERZO TIE ROD	1))2)	
0583085	1J0422804B	BARRA STERZO TIE ROD	1)3)	
0593072	1J0422803A	BARRA STERZO TIE ROD	1))2)	
0593085	1J0422803B	BARRA STERZO TIE ROD	1)3)	
0603072	1J0422804A *	SNODO ASSIALE AXIAL JOINT	1))2)	RHT M14x1,5
0603085	1J0422807B	SNODO ASSIALE AXIAL JOINT	1)3)	RHT M14x1,5
0903037	-	KIT CUFFIE STERZO STEERING GAITER KIT		
1211182	1J0422831	CUFFIA STERZO STEERING GAITER		

DESTRO
RIGHT



SINISTRO
LEFT

GOLF IV GOLF IV CABRIOLET GOLF IV VARIANT	1J1 1E7 1J5	1997 > 2005 1998 > 2002 1999 > 2006
---	-------------------	---

Asse Anteriore



Front Axle

0483037



1249121



0702882



0782883



1215198



1215039



1216035



1215198



1215039



1216035



0702882



0792883



0493037



1249121



i 9) VERSIONE RINFORZATA - RENFORCED

OCAP	O.E.		i	
0483037	1J0407366C	SNODO SOSPENSIONE SUSPENSION JOINT		DIAM. 15 mm.
0493037	1J0407365C	SNODO SOSPENSIONE SUSPENSION JOINT		DIAM. 15 mm.
0702882	1J0407151B	BRACCIO OSCILLANTE - CON SILENTBLOCK TRACK CONTROL ARM - WITH BUSHING		
0782883	-	BRACCIO OSCILLANTE - COMPLETO COMPLETE TRACK CONTROL ARM		
0792883	-	BRACCIO OSCILLANTE - COMPLETO COMPLETE TRACK CONTROL ARM		
1215039	357407182	SILENTBLOCK BUSHING		
1215198	1J0407181	SILENTBLOCK BUSHING		
1216035	8N0407181B	SILENTBLOCK BUSHING	9)	
1249121	1H0407175A	STAFFA STIRRUP		

DESTRO
RIGHT

 SINISTRO
LEFT

GOLF IV GOLF IV CABRIOLET GOLF IV VARIANT	1J1	1997 > 2005
	1E7	1998 > 2002
	1J5	1999 > 2006

Asse Anteriore



Front Axle



i	4) > CH. 1J-1-480 000 - PER BARRE - FOR BAR: DIAM. 23 mm.	5) CH. 1J-1-480 001 - PER BARRE - FOR BAR: DIAM. 23 mm.
	6) SOLO PER - ONLY FOR - MOD. 4MOTION	

OCAP	O.E.		i	
0182884	1J0411315G	STABILIZZATORE STABILIZER LINK	4)	
0183040	1J0411315C	STABILIZZATORE STABILIZER LINK		
0501453	1J0411315H	STABILIZZATORE STABILIZER LINK	5)	
0581386	1J0411316D	STABILIZZATORE STABILIZER LINK	6)	
0591386	1J0411315D	STABILIZZATORE STABILIZER LINK	6)	
0903040	-	KIT STABILIZZATORE STABILIZER LINK KIT		
0903085	1J0411336B *	KIT SILENTBLOCK BARRA STABILIZZATRICE STABILIZING BAR BUSHING KIT		DIAM. 21 mm.
1214089	1J0411314T	SILENTBLOCK BARRA STABILIZZATRICE STABILIZING BAR BUSHING		DIAM. 21 mm.
1214128	1J0411314P	SILENTBLOCK BARRA STABILIZZATRICE STABILIZING BAR BUSHING		DIAM. 20 mm.
1214133	1J0411314S	SILENTBLOCK BARRA STABILIZZATRICE STABILIZING BAR BUSHING		DIAM. 17 mm.
1214142	1J0411314AC	SILENTBLOCK BARRA STABILIZZATRICE STABILIZING BAR BUSHING		DIAM. 18 mm.
1215199	1J0411327	SILENTBLOCK PER STABILIZZATORE STABILIZER LINK BUSHING		

DESTRO
RIGHT



SINISTRO
LEFT

GOLF IV GOLF IV CABRIOLET GOLF IV VARIANT	1J1 1E7 1J5	1997 > 2005 1998 > 2002 1999 > 2006
---	-------------------	---

Asse Posteriore



Rear Axle



i 7) SOLO PER MOD. 4MOTION SENZA DOTAZIONE STRADE DISSESTATE - ONLY FOR MOD. 4MOTION WITHOUT OFF-ROAD SUSPENSION	8) SOLO PER MOD. 4MOTION CON DOTAZIONE STRADE DISSESTATE - ONLY FOR MOD. 4MOTION WITH OFF-ROAD SUSPENSION
---	--

OCAP	O.E.		i	
0502118	1J0505466B	STABILIZZATORE STABILIZER LINK	7)	
0502119	1J0505466C	STABILIZZATORE STABILIZER LINK	8)	
0903137	6R0501541A *	KIT SILENTBLOCK BUSHING KIT		DIAM. 72 mm.
0905577	1J0501541D *	KIT SILENTBLOCK BUSHING KIT		DIAM. 69 mm.
1215200	6R0501541A	SILENTBLOCK BUSHING		DIAM. 72 mm.
1216151	1J0501541D	SILENTBLOCK BUSHING		DIAM. 69 mm.

DESTRO
RIGHT

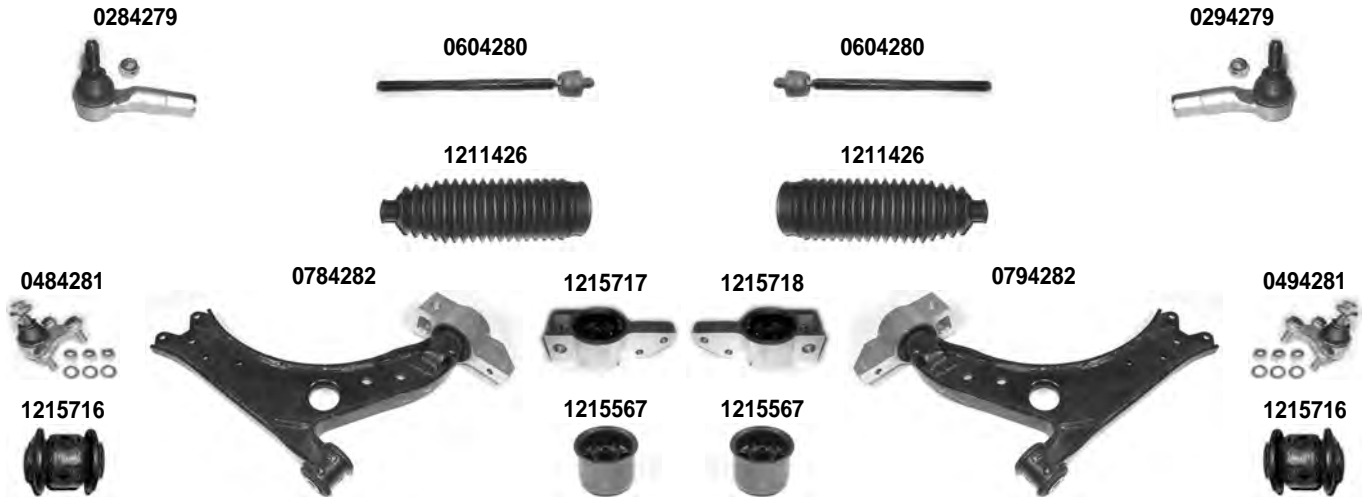
 SINISTRO
LEFT

GOLF V GOLF V VARIANT CADDY III CADDY IV	1K1 1K5 2KA-2KH-2KB-2KJ SAA-SAB-SAH-SAJ	10/2003 > 02/2009 06/2007 > 07/2009 03/2004 > 2015 05/2015 >
---	--	---

Asse Anteriore



Front Axle



i 3) SOLO MOTORI A BENZINA SENZA REGOLAZIONE AUTOMATICA FAR - ONLY FOR GASOLINE ENGINES WITHOUT HEADLAMPS AUTOMATIC ADJUSTMENT

OCAP	O.E.		i	
0284279	1K0423812E	TESTA STERZO TIE ROD END		RHT M16X1,5
0294279	1K0423811E	TESTA STERZO TIE ROD END		RHT M16X1,5
0484281	5Q0407366A	SNODO SOSPENSIONE BALL JOINT		
0494281	5Q0407365A	SNODO SOSPENSIONE BALL JOINT		
0604280	1K0423810A	SNODO ASSIALE AXIAL JOINT		RHT M16X1,5
0784282	1K0407152AB	BRACCIO OSCILLANTE TRACK CONTROL ARM	3)	
0794282	1K0407151AB	BRACCIO OSCILLANTE TRACK CONTROL ARM	3)	
1211426	1K0423831A	CUFFIA STERZO STEERING GAITER		
1215567	1K0407183E	SILENTBLOCK BUSHING		
1215716	1K0407182	SILENTBLOCK CENTRALE CENTRAL BUSHING		
1215717	1K0199232J	SILENTBLOCK ESTREMO - ALLUMINIO OUTER BUSHING - ALUMINIUM		
1215718	1K0199231J	SILENTBLOCK ESTREMO - ALLUMINIO OUTER BUSHING - ALUMINIUM		

DESTRO
RIGHT



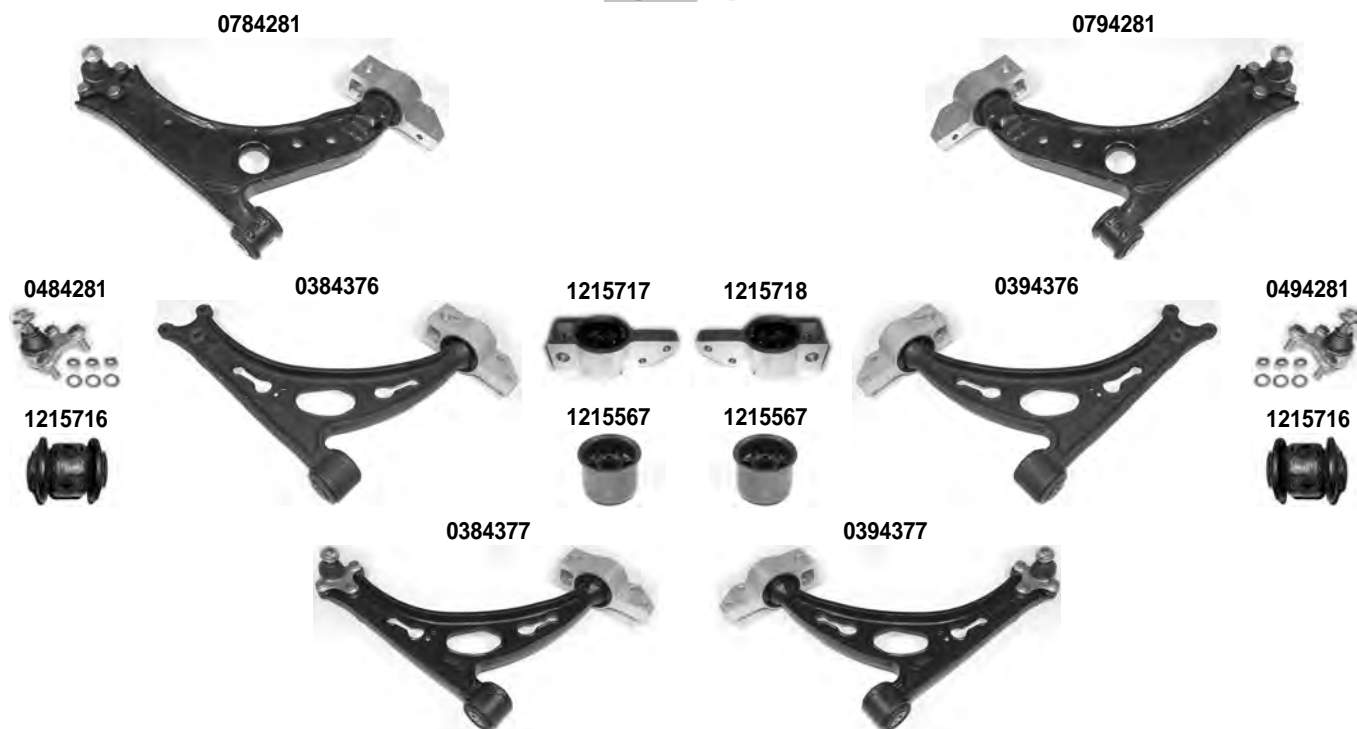
SINISTRO
LEFT

GOLF V GOLF V VARIANT CADDY III CADDY IV	1K1 1K5 2KA-2KH-2KB-2KJ SAA-SAB-SAH-SAJ	10/2003 > 02/2009 06/2007 > 07/2009 03/2004 > 2015 05/2015 >
---	--	---

Asse Anteriore



Front Axle



i 3) SOLO MOTORI A BENZINA SENZA REGOLAZIONE AUTOMATICA FARI - ONLY FOR GASOLINE ENGINES WITHOUT HEADLAMPS AUTOMATIC ADJUSTMENT	4) SOLO MOTORI DIESEL E VEICOLI CON REGOLAZIONE AUTOMATICA FARI - ONLY FOR DIESEL ENGINE AND CARS WITH HEADLAMPS AUTOMATIC ADJUSTMENT
--	---

OCAP	O.E.		
0384376	1K0407152AC	BRACCIO OSCILLANTE - GHISA TRACK CONTROL ARM - CAST IRON	4)
0384377	1K0407152AC *	BRACCIO OSCILLANTE - GHISA - COMPLETO TRACK CONTROL ARM - CAST IRON - COMPLETE	4)
0394376	1K0407151AC	BRACCIO OSCILLANTE - GHISA TRACK CONTROL ARM - CAST IRON	4)
0394377	1K0407151AC *	BRACCIO OSCILLANTE - GHISA - COMPLETO TRACK CONTROL ARM - CAST IRON - COMPLETE	4)
0484281	5Q0407366A	SNODO SOSPENSIONE BALL JOINT	
0494281	5Q0407365A	SNODO SOSPENSIONE BALL JOINT	
0784281	1K0407152AB *	BRACCIO OSCILLANTE - COMPLETO COMPLETE TRACK CONTROL ARM	3)
0794281	1K0407151AB *	BRACCIO OSCILLANTE - COMPLETO COMPLETE TRACK CONTROL ARM	3)
1215567	1K0407183E	SILENTBLOCK BUSHING	
1215716	1K0407182	SILENTBLOCK CENTRALE CENTRAL BUSHING	
1215717	1K0199232J	SILENTBLOCK ESTREMO - ALLUMINIO OUTER BUSHING - ALUMINIUM	
1215718	1K0199231J	SILENTBLOCK ESTREMO - ALLUMINIO OUTER BUSHING - ALUMINIUM	

DESTRO
RIGHT

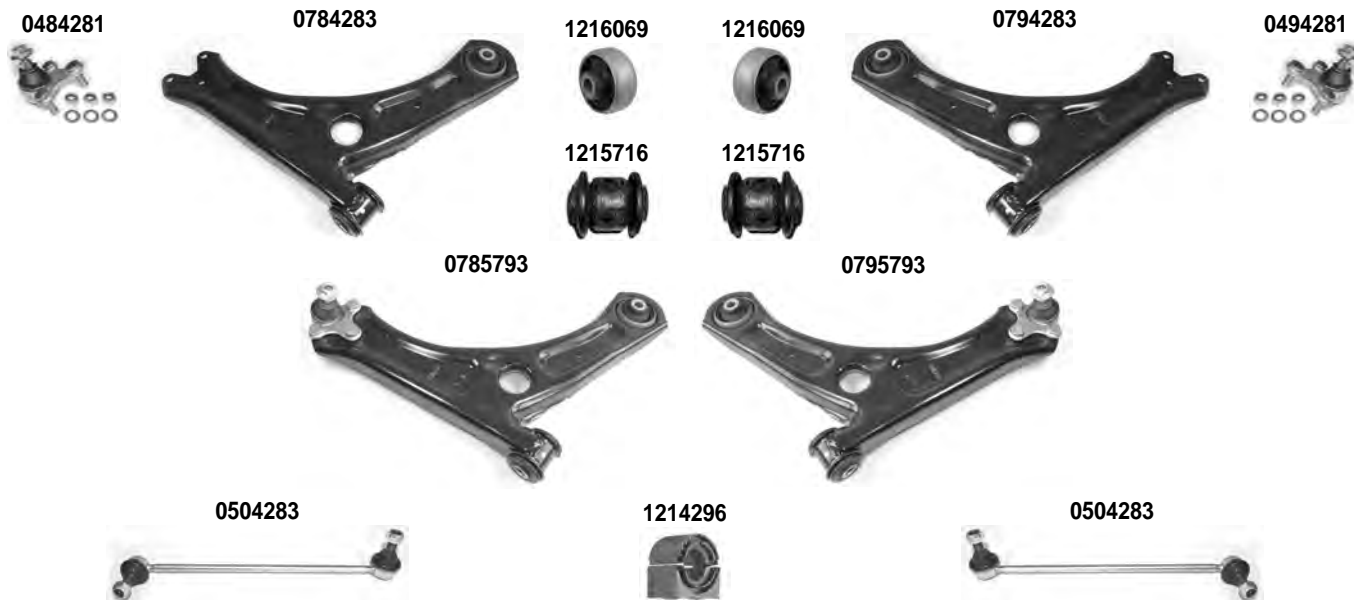
 SINISTRO
LEFT

GOLF V GOLF V VARIANT CADDY III CADDY IV	1K1 1K5 2KA-2KH-2KB-2KJ SAA-SAB-SAH-SAJ	10/2003 > 02/2009 06/2007 > 07/2009 03/2004 > 2015 05/2015 >
---	--	---

Asse Anteriore



Front Axle



Asse Posteriore



Rear Axle



i 2) SOLO PER - ONLY FOR : CADDY
6) 06/2009 > - CH. 1K-9-295 791 >

5) ECCETTO - EXCEPT: MOD. CADDY / GOLF VARIANT
9) 07/2010 >

OCAP	O.E.		i	
0484281	5Q0407366A	SNODO SOSPENSIONE - INFERIORE BALL JOINT - LOWER		
0494281	5Q0407365A	SNODO SOSPENSIONE - INFERIORE BALL JOINT - LOWER		
0504283	1K0411315J	STABILIZZATORE STABILIZER LINK		
0703129	1K0501529J	BRACCIO OSCILLANTE TRACK CONTROL ARM	5) 6)	
0784283	1K0407152BB	BRACCIO OSCILLANTE - INFERIORE TRACK CONTROL ARM - LOWER	2) 9)	
0785793	1K0407152BB *	BRACCIO OSCILLANTE - INFERIORE - COMPLETO TRACK CONTROL ARM - LOWER - COMPLETE	2) 9)	
0794283	1K0407151BB	BRACCIO OSCILLANTE - INFERIORE TRACK CONTROL ARM - LOWER	2) 9)	
0795793	1K0407151BB *	BRACCIO OSCILLANTE - INFERIORE - COMPLETO TRACK CONTROL ARM - LOWER - COMPLETE	2) 9)	
1214296	1K0411303AM *	SILENTBLOCK BARRA STABILIZZATRICE STABILIZING BAR BUSHING		DIAM. 23 mm.
1215716	1K0407182	SILENTBLOCK CENTRALE CENTRAL BUSHING		
1215945	-	SILENTBLOCK - INTERNO BUSHING - INNER		DIAM. 12 mm.
1215946	-	SILENTBLOCK - INTERNO BUSHING - INNER		DIAM. 14 mm.
1216069	1K0407183M	SILENTBLOCK ESTREMO OUTER BUSHING	2) 9)	

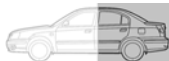
DESTRO
RIGHT



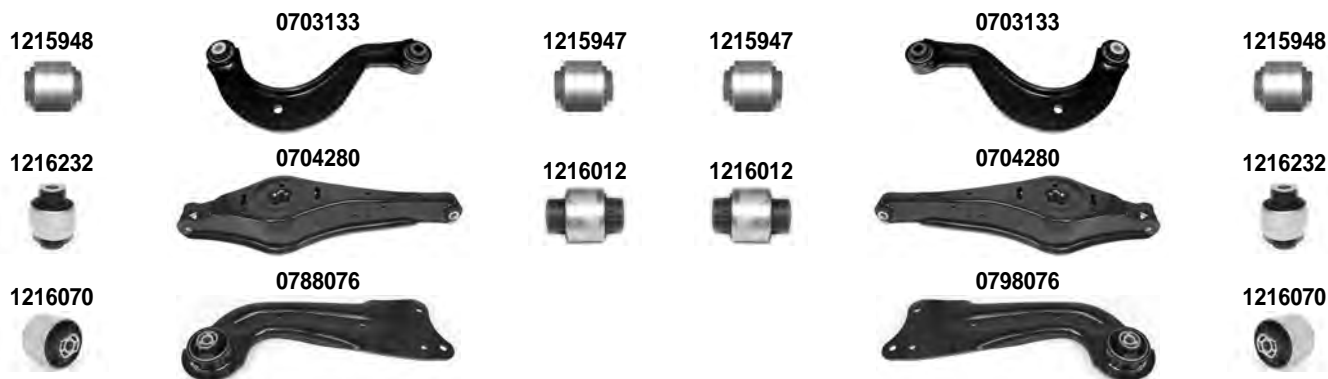
SINISTRO
LEFT

GOLF V GOLF V VARIANT CADDY III CADDY IV	1K1 1K5 2KA-2KH-2KB-2KJ SAA-SAB-SAH-SAJ	10/2003 > 02/2009 06/2007 > 07/2009 03/2004 > 2015 05/2015 >
---	--	---

Asse Posteriore



Rear Axle



i 5) ECCETTO - EXCEPT: MOD. CADDY / GOLF VARIANT

OCAP	O.E.		i	
0703133	1K0505323N	BRACCIO SOSPENSIONE SUSPENSION ARM	5)	
0704280	1K0505311AB	BRACCIO SOSPENSIONE SUSPENSION ARM		
0788076	1K0505224K	BRACCIO SOSPENSIONE SUSPENSION ARM		
0798076	1K0505223K	BRACCIO SOSPENSIONE SUSPENSION ARM		
1215947	1K0505279A	SILENTBLOCK - INTERNO BUSHING - INNER		DIAM. 12 mm.
1215948	1K0505203A	SILENTBLOCK - INTERNO BUSHING - INNER		DIAM. 14 mm.
1216012	1K0505311AB *	SILENTBLOCK BUSHING		
1216070	1K0505541C	SILENTBLOCK BUSHING		
1216232	1K0505553A	SILENTBLOCK BUSHING		

DESTRO
RIGHTSINISTRO
LEFT

GOLF V GOLF V VARIANT CADDY III CADDY IV	1K1 1K5 2KA-2KH-2KB-2KJ SAA-SAB-SAH-SAJ	10/2003 > 02/2009 06/2007 > 07/2009 03/2004 > 2015 05/2015 >
---	--	---

Asse Posteriore



Rear Axle



i 2) SOLO PER - ONLY FOR : CADDY 8) SOLO PER - ONLY FOR: MOD. CADDY		7) ECCETTO - EXCEPT: MOD. CADDY		
OCAP	O.E.		i	
0503130	2K0505465B	STABILIZZATORE STABILIZER LINK	8)	
0504378	1K0505465K	STABILIZZATORE STABILIZER LINK	7)	
1214130	1K0511327AE	SILENTBLOCK BARRA STABILIZZATRICE STABILIZING BAR BUSHING		DIAM. 18,5 mm.
1214131	1K0511327AR	SILENTBLOCK BARRA STABILIZZATRICE STABILIZING BAR BUSHING		DIAM. 20,7 mm.
1214144	1K0511327AQ	SILENTBLOCK BARRA STABILIZZATRICE STABILIZING BAR BUSHING		DIAM. 17 mm.
1214300	2K0511413D	SILENTBLOCK BARRA STABILIZZATRICE STABILIZING BAR BUSHING	2)	DIAM. 19 mm.

DESTRO
RIGHT

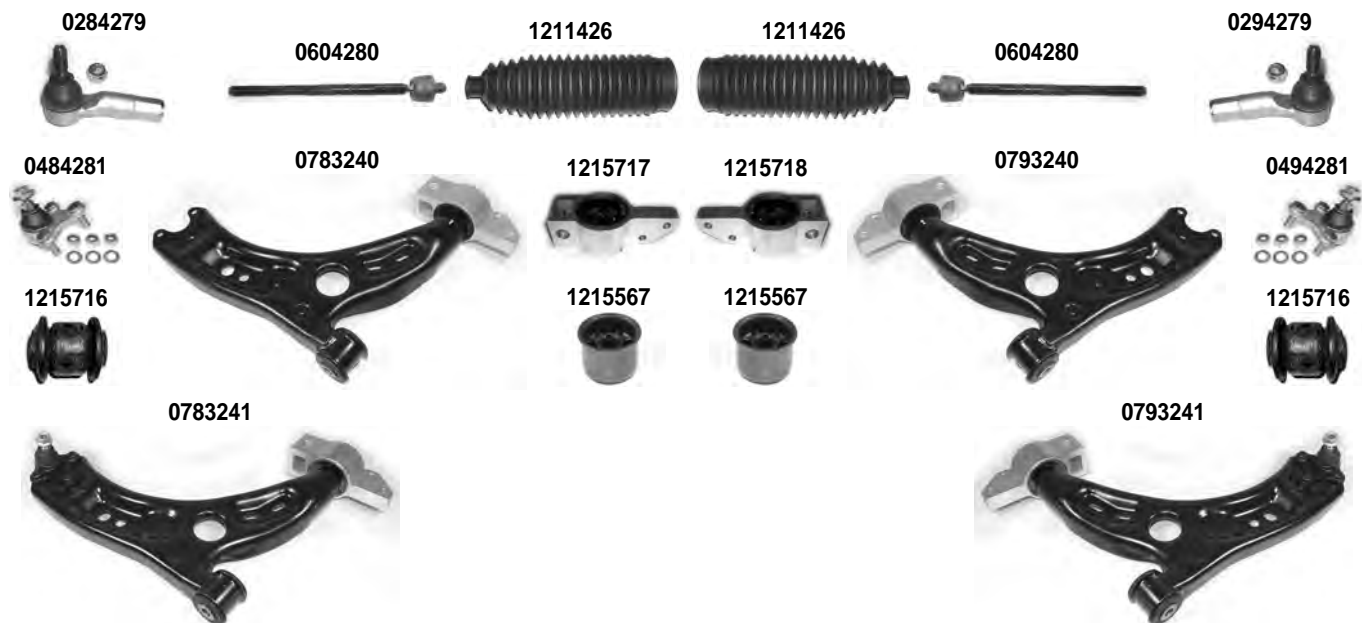


SINISTRO
LEFT

GOLF VI GOLF VI VARIANT VI GOLF VI CABRIOLET GOLF PLUS	5K1 AJ5 517 5M1-521	10/2008 > 11/2013 07/2009 > 07/2013 03/2011 > 03/2009 >
---	------------------------------	--

Asse Anteriore

Front Axle



i 1) MODELLI SENZA REGOLAZIONE AUTOMATICA FARI - MODELS WITHOUT HEADLAMPS AUTOMATIC ADJUSTMENT

OCAP	O.E.		i	
0284279	1K0423812E	TESTA STERZO TIE ROD END		RHT M16X1,5
0294279	1K0423811E	TESTA STERZO TIE ROD END		RHT M16X1,5
0484281	5Q0407366A	SNODO SOSPENSIONE BALL JOINT		
0494281	5Q0407365A	SNODO SOSPENSIONE BALL JOINT		
0604280	1K0423810A	SNODO ASSIALE AXIAL JOINT		RHT M16X1,5
0783240	1K0407152BC	BRACCIO OSCILLANTE - INFERIORE - LAMIERA TRACK CONTROL ARM - LOWER - SHEET METAL	1)	
0783241	1K0407152BC *	BRACCIO OSCILLANTE - INFERIORE - LAMIERA - COMPLETO TRACK CONTROL ARM - LOWER - SHEET METAL - COMPLETE	1)	
0793240	1K0407151BC	BRACCIO OSCILLANTE - INFERIORE - LAMIERA TRACK CONTROL ARM - LOWER - SHEET METAL	1)	
0793241	1K0407151BC *	BRACCIO OSCILLANTE - INFERIORE - LAMIERA - COMPLETO TRACK CONTROL ARM - LOWER - SHEET METAL - COMPLETE	1)	
1211426	1K0423831A	CUFFIA STERZO STEERING GAITER		
1215567	1K0407183E	SILENTBLOCK BUSHING		
1215716	1K0407182	SILENTBLOCK CENTRALE CENTRAL BUSHING		
1215717	1K0199232J	SILENTBLOCK ESTREMO OUTER BUSHING		
1215718	1K0199231J	SILENTBLOCK ESTREMO OUTER BUSHING		

DESTRO
RIGHT

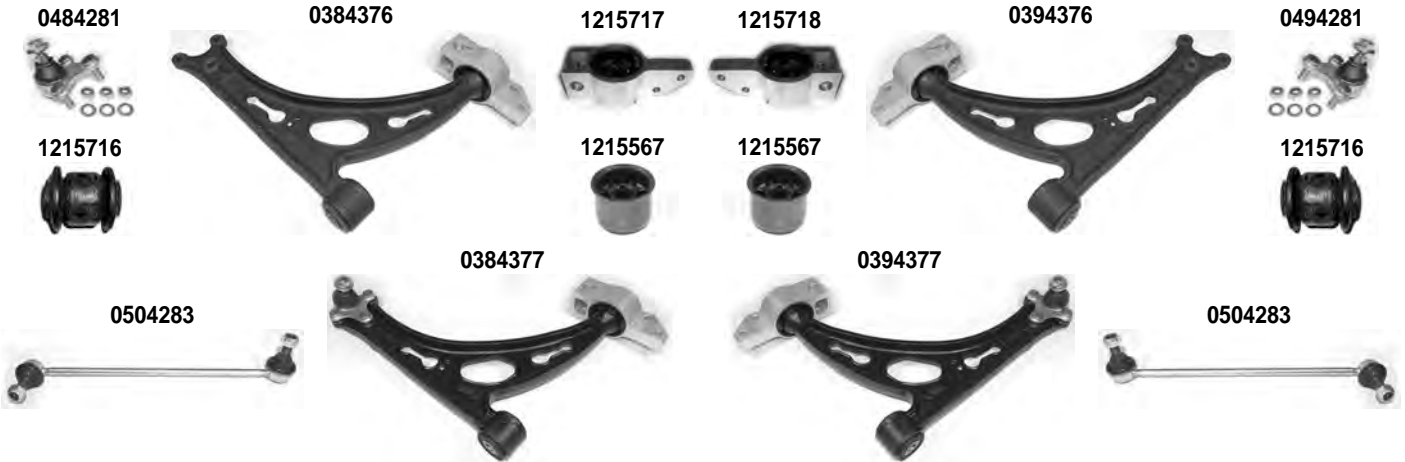
 SINISTRO
LEFT

GOLF VI GOLF VI VARIANT VI GOLF VI CABRIOLET GOLF PLUS	5K1 AJ5 517 5M1-521	10/2008 > 11/2013 07/2009 > 07/2013 03/2011 > 03/2009 >
---	------------------------------	--

Asse Anteriore



Front Axle



i 2) MODELLI CON REGOLAZIONE AUTOMATICA FARI - MODELS WITH HEADLAMPS AUTOMATIC ADJUSTMENT

OCAP	O.E.		i	
0384376	1K0407152AC	BRACCIO OSCILLANTE - INFERIORE - GHISA TRACK CONTROL ARM - LOWER - CAST IRON	2)	
0384377	1K0407152AC *	BRACCIO OSCILLANTE - INFERIORE - GHISA - COMPLETO TRACK CONTROL ARM - LOWER - CAST IRON - COMPLETE	2)	
0394376	1K0407151AC	BRACCIO OSCILLANTE - INFERIORE - GHISA TRACK CONTROL ARM - LOWER - CAST IRON	2)	
0394377	1K0407151AC *	BRACCIO OSCILLANTE - INFERIORE - GHISA - COMPLETO TRACK CONTROL ARM - LOWER - CAST IRON - COMPLETE	2)	
0484281	5Q0407366A	SNODO SOSPENSIONE BALL JOINT		
0494281	5Q0407365A	SNODO SOSPENSIONE BALL JOINT		
0504283	1K0411315J	STABILIZZATORE STABILIZER LINK		
1215567	1K0407183E	SILENTBLOCK BUSHING		
1215716	1K0407182	SILENTBLOCK CENTRALE CENTRAL BUSHING		
1215717	1K0199232J	SILENTBLOCK ESTREMO OUTER BUSHING		
1215718	1K0199231J	SILENTBLOCK ESTREMO OUTER BUSHING		

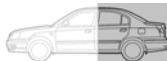
DESTRO
RIGHT



SINISTRO
LEFT

GOLF VI GOLF VI VARIANT VI GOLF VI CABRIOLET GOLF PLUS	5K1 AJ5 517 5M1-521	10/2008 > 11/2013 07/2009 > 07/2013 03/2011 > 03/2009 >
---	------------------------------	--

Asse Posteriore



Rear Axle



i 3) 06/2009 > - CH. 1K-9-425 001 >

OCAP	O.E.		i	
0504378	1K0505465K	STABILIZZATORE STABILIZER LINK		
0703129	1K0501529J	BRACCIO SOSPENSIONE SUSPENSION ARM	3)	
0703133	1K0505323N	BRACCIO SOSPENSIONE SUSPENSION ARM		
0704280	1K0505311AB	BRACCIO SOSPENSIONE SUSPENSION ARM		
0788076	1K0505224K	BRACCIO SOSPENSIONE SUSPENSION ARM		
0798076	1K0505223K	BRACCIO SOSPENSIONE SUSPENSION ARM		
1215945	-	SILENTBLOCK - INTERNO BUSHING - INNER		DIAM. 12 mm.
1215946	-	SILENTBLOCK - INTERNO BUSHING - INNER		DIAM. 14 mm.
1215947	1K0505279A	SILENTBLOCK - INTERNO BUSHING - INNER		DIAM. 12 mm.
1215948	1K0505203A	SILENTBLOCK - INTERNO BUSHING - INNER		DIAM. 14 mm.
1216012	1K0505311AB *	SILENTBLOCK BUSHING		
1216070	1K0505541C	SILENTBLOCK BUSHING		
1216232	1K0505553A	SILENTBLOCK BUSHING		

DESTRO
RIGHT

 SINISTRO
LEFT

 GOLF VII
GOLF VII VARIANT
GOLF ALLTRACK
GOLF SPORTSVAN

 5G1
BA5
BA5
AM1

 08/2012 >
04/2013 >
12/2014 >
02/2014 >

Asse Anteriore



Front Axle


i 1) MODELLI RUOTE STANDARD > 15" - > 15" WHEELS STANDARD

OCAP	O.E.		
0284279	1K0423812E	TESTA STERZO TIE ROD END	RHT M16X1,5
0294279	1K0423811E	TESTA STERZO TIE ROD END	RHT M16X1,5
0484281	5Q0407366A	SNODO SOSPENSIONE BALL JOINT	1)
0494281	5Q0407365A	SNODO SOSPENSIONE BALL JOINT	1)
0604280	1K0423810A	SNODO ASSIALE AXIAL JOINT	RHT M16X1,5
0785748	5Q0407152J	BRACCIO OSCILLANTE TRACK CONTROL ARM	
0785749	5Q0407152J *	BRACCIO OSCILLANTE - COMPLETO COMPLETE TRACK CONTROL ARM	1)
0795748	5Q0407151J	BRACCIO OSCILLANTE TRACK CONTROL ARM	
0795749	5Q0407151J *	BRACCIO OSCILLANTE - COMPLETO COMPLETE TRACK CONTROL ARM	1)
1211426	1K0423831A	CUFFIA STERZO STEERING GAITER	
1215716	1K0407182	SILENTBLOCK CENTRALE CENTRAL BUSHING	
1216229	5Q0407183E	SILENTBLOCK ESTREMO OUTER BUSHING	

DESTRO
RIGHT



SINISTRO
LEFT

GOLF VII GOLF VII VARIANT GOLF ALLTRACK GOLF SPORTSVAN	5G1 BA5 BA5 AM1	08/2012 > 04/2013 > 12/2014 > 02/2014 >
---	--------------------------	--

Asse Anteriore



Front Axle



i 2) MODELLI RUOTE 16" > - WHEELS 16" >

OCAP	O.E.		i	
0482117	3C0407366B	SNODO SOSPENSIONE BALL JOINT	2)	
0492117	3C0407365B	SNODO SOSPENSIONE BALL JOINT	2)	
0504283	1K0411315J	STABILIZZATORE STABILIZER LINK		
0785750	3C0407366B *	BRACCIO OSCILLANTE - COMPLETO COMPLETE TRACK CONTROL ARM	2)	
0795750	3C0407365B *	BRACCIO OSCILLANTE - COMPLETO COMPLETE TRACK CONTROL ARM	2)	
1215716	1K0407182	SILENTBLOCK CENTRALE CENTRAL BUSHING		
1216229	5Q0407183E	SILENTBLOCK ESTREMO OUTER BUSHING		

DESTRO
RIGHT

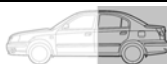
 SINISTRO
LEFT

 GOLF VII
GOLF VII VARIANT
GOLF ALLTRACK
GOLF SPORTSVAN

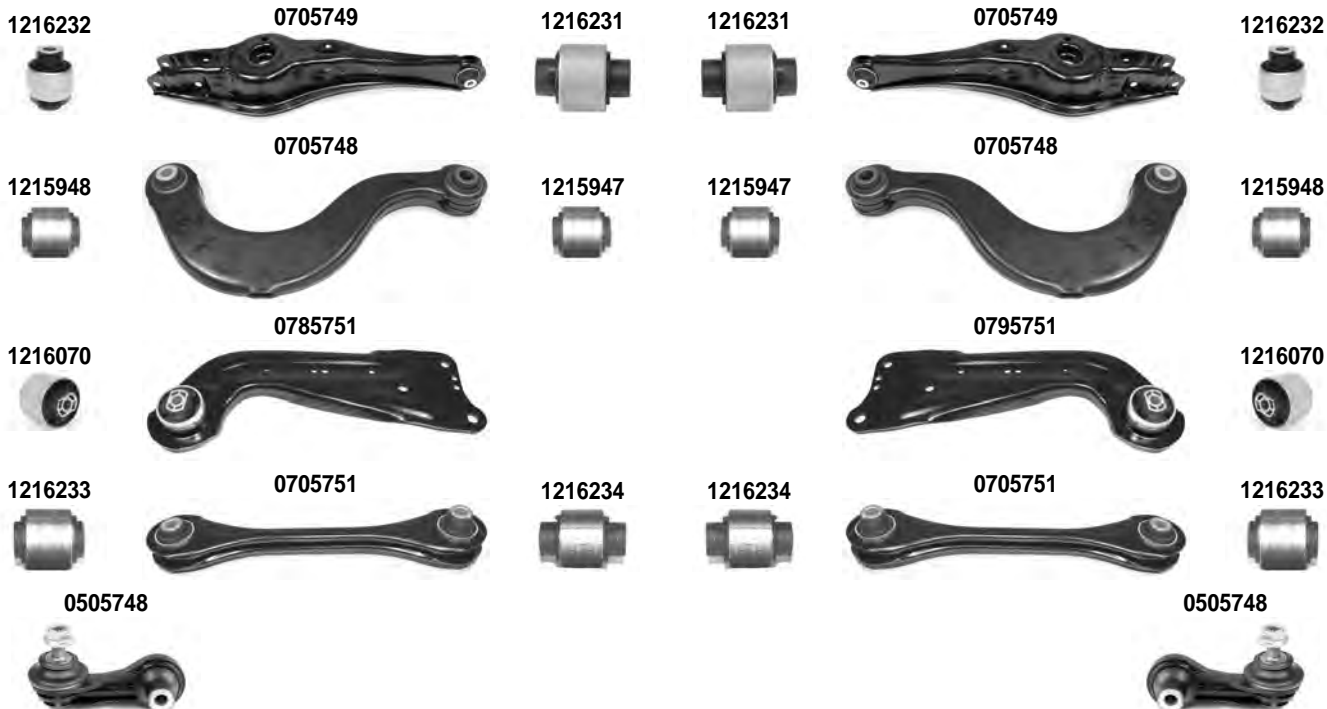
 5G1
BA5
BA5
AM1

 08/2012 >
04/2013 >
12/2014 >
02/2014 >

Asse Posteriore



Rear Axle


i 3) SOLO PER SOSPENSIONI MULTILINK - ONLY FOR MULTILINK SUSPENSION

OCAP	O.E.		i	
0505748	5Q0505465C	STABILIZZATORE STABILIZER LINK	3)	
0705748	5Q0505323D	BRACCIO SOSPENSIONE SUSPENSION ARM	3)	
0705749	5Q0505311D	BRACCIO SOSPENSIONE SUSPENSION ARM	3)	
0705751	5Q0501529C	BRACCIO SOSPENSIONE SUSPENSION ARM	3)	
0785751	5Q0505224D	BRACCIO SOSPENSIONE SUSPENSION ARM	3)	
0795751	5Q0505223D	BRACCIO SOSPENSIONE SUSPENSION ARM	3)	
1215947	1K0505279A	SILENTBLOCK BRACCIO SOSPENSIONE - INTERNO CONTROL ARM BUSHING - INNER	3)	DIAM. 12 mm.
1215948	1K0505203A	SILENTBLOCK BRACCIO SOSPENSIONE - ESTERNO CONTROL ARM BUSHING - OUTER	3)	DIAM. 14 mm.
1216070	1K0407541C	SILENTBLOCK BUSHING	3)	
1216231	5Q0505311D *	SILENTBLOCK BUSHING	3)	
1216232	1K0505553A	SILENTBLOCK BUSHING	3)	
1216233	5Q0501529C *	SILENTBLOCK BUSHING	3)	
1216234	5Q0501529C **	SILENTBLOCK BUSHING	3)	

DESTRO
RIGHT



SINISTRO
LEFT

JETTA III	1K2	08/2005 >
-----------	-----	-----------

Asse Anteriore



Front Axle



i 1) SOLO MOTORI A BENZINA SENZA REGOLAZIONE AUTOMATICA FARI - ONLY FOR GASOLINE ENGINES WITHOUT HEADLAMPS AUTOMATIC ADJUSTMENT

OCAP	O.E.		i	
0284279	1K0423812E	TESTA STERZO TIE ROD END		RHT M16X1,5
0294279	1K0423811E	TESTA STERZO TIE ROD END		RHT M16X1,5
0484281	5Q0407366A	SNODO SOSPENSIONE BALL JOINT		
0494281	5Q0407365A	SNODO SOSPENSIONE BALL JOINT		
0604280	1K0423810A	SNODO ASSIALE AXIAL JOINT		RHT M16X1,5
0784281	1K0407152AB *	BRACCIO OSCILLANTE - COMPLETO COMPLETE TRACK CONTROL ARM	1)	
0784282	1K0407152AB	BRACCIO OSCILLANTE TRACK CONTROL ARM	1)	
0794281	1K0407151AB *	BRACCIO OSCILLANTE - COMPLETO COMPLETE TRACK CONTROL ARM	1)	
0794282	1K0407151AB	BRACCIO OSCILLANTE TRACK CONTROL ARM	1)	
1211426	1K0423831A	CUFFIA STERZO STEERING GAITER		
1215567	1K0407183E	SILENTBLOCK ESTREMO - ALLUMINIO OUTER BUSHING - ALUMINIUM		
1215716	1K0407182	SILENTBLOCK CENTRALE CENTRAL BUSHING		
1215717	1K0199232J	SILENTBLOCK ESTREMO - ALLUMINIO OUTER BUSHING - ALUMINIUM		
1215718	1K0199231J	SILENTBLOCK ESTREMO - ALLUMINIO OUTER BUSHING - ALUMINIUM		

DESTRO
RIGHT

 SINISTRO
LEFT

JETTA III

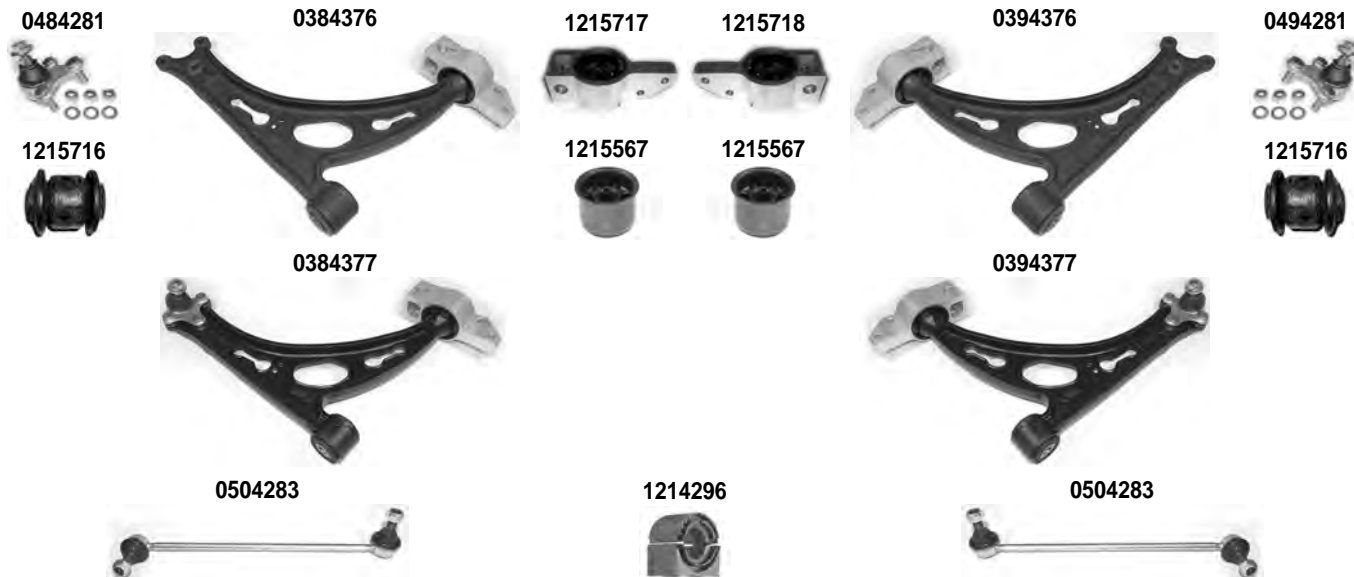
1K2

08/2005 >

Asse Anteriore



Front Axle



OCAP	O.E.		
0384376	1K0407152AC	BRACCIO OSCILLANTE - INFERIORE - GHISA TRACK CONTROL ARM - LOWER - CAST IRON	
0384377	1K0407152AC *	BRACCIO OSCILLANTE - INFERIORE - GHISA - COMPLETO TRACK CONTROL ARM - LOWER - CAST IRON - COMPLETE	
0394376	1K0407151AC	BRACCIO OSCILLANTE - INFERIORE - GHISA TRACK CONTROL ARM - LOWER - CAST IRON	
0394377	1K0407151AC *	BRACCIO OSCILLANTE - INFERIORE - GHISA - COMPLETO TRACK CONTROL ARM - LOWER - CAST IRON - COMPLETE	
0484281	5Q0407366A	SNODO SOSPENSIONE BALL JOINT	
0494281	5Q0407365A	SNODO SOSPENSIONE BALL JOINT	
0504283	1K0411315J	STABILIZZATORE STABILIZER LINK	
1214296	1K0411303AM *	SILENTBLOCK BARRA STABILIZZATRICE STABILIZING BAR BUSHING	DIAM. 23 mm.
1215567	1K0407183E	SILENTBLOCK ESTREMO - ALLUMINIO OUTER BUSHING - ALUMINIUM	
1215716	1K0407182	SILENTBLOCK CENTRALE CENTRAL BUSHING	
1215717	1K0199232J	SILENTBLOCK ESTREMO - ALLUMINIO OUTER BUSHING - ALUMINIUM	
1215718	1K0199231J	SILENTBLOCK ESTREMO - ALLUMINIO OUTER BUSHING - ALUMINIUM	

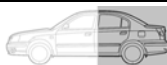
DESTRO
RIGHT



SINISTRO
LEFT

JETTA III	1K2	08/2005 >
-----------	-----	-----------

Asse Posteriore



Rear Axle



i 2) 06/2009 > - CH. 1K-9-091 376 >

OCAP	O.E.		i	
0504378	1K0505465K	STABILIZZATORE STABILIZER LINK		
0703129	1K0501529J	BRACCIO SOSPENSIONE SUSPENSION ARM	2)	
0703133	1K0505323N	BRACCIO SOSPENSIONE SUSPENSION ARM		
0704280	1K0505311AB	BRACCIO SOSPENSIONE SUSPENSION ARM		
0788076	1K0505224K	BRACCIO SOSPENSIONE SUSPENSION ARM		
0798076	1K0505223K	BRACCIO SOSPENSIONE SUSPENSION ARM		
1214130	1K0511327AE	SILENTBLOCK BARRA STABILIZZATRICE STABILIZING BAR BUSHING		DIAM. 18,5 mm.
1214131	1K0511327AR	SILENTBLOCK BARRA STABILIZZATRICE STABILIZING BAR BUSHING		DIAM. 20,7 mm.
1214144	1K0511327AQ	SILENTBLOCK BARRA STABILIZZATRICE STABILIZING BAR BUSHING		DIAM. 17 mm.
1215945	-	SILENTBLOCK BRACCIO SOSPENSIONE - INTERNO CONTROL ARM BUSHING - INNER		DIAM. 12 mm.
1215946	-	SILENTBLOCK BRACCIO SOSPENSIONE - ESTERNO CONTROL ARM BUSHING - OUTER		DIAM. 14 mm.
1215947	1K0505279A	SILENTBLOCK BRACCIO SOSPENSIONE - INTERNO CONTROL ARM BUSHING - INNER		DIAM. 12 mm.
1215948	1K0505203A	SILENTBLOCK BRACCIO SOSPENSIONE - ESTERNO CONTROL ARM BUSHING - OUTER		DIAM. 14 mm.
1216012	1K0505311AB *	SILENTBLOCK BUSHING		
1216070	1K0407541C	SILENTBLOCK BUSHING		
1216232	1K0505553A	SILENTBLOCK BUSHING		

DESTRO
RIGHT



SINISTRO
LEFT

JETTA IV

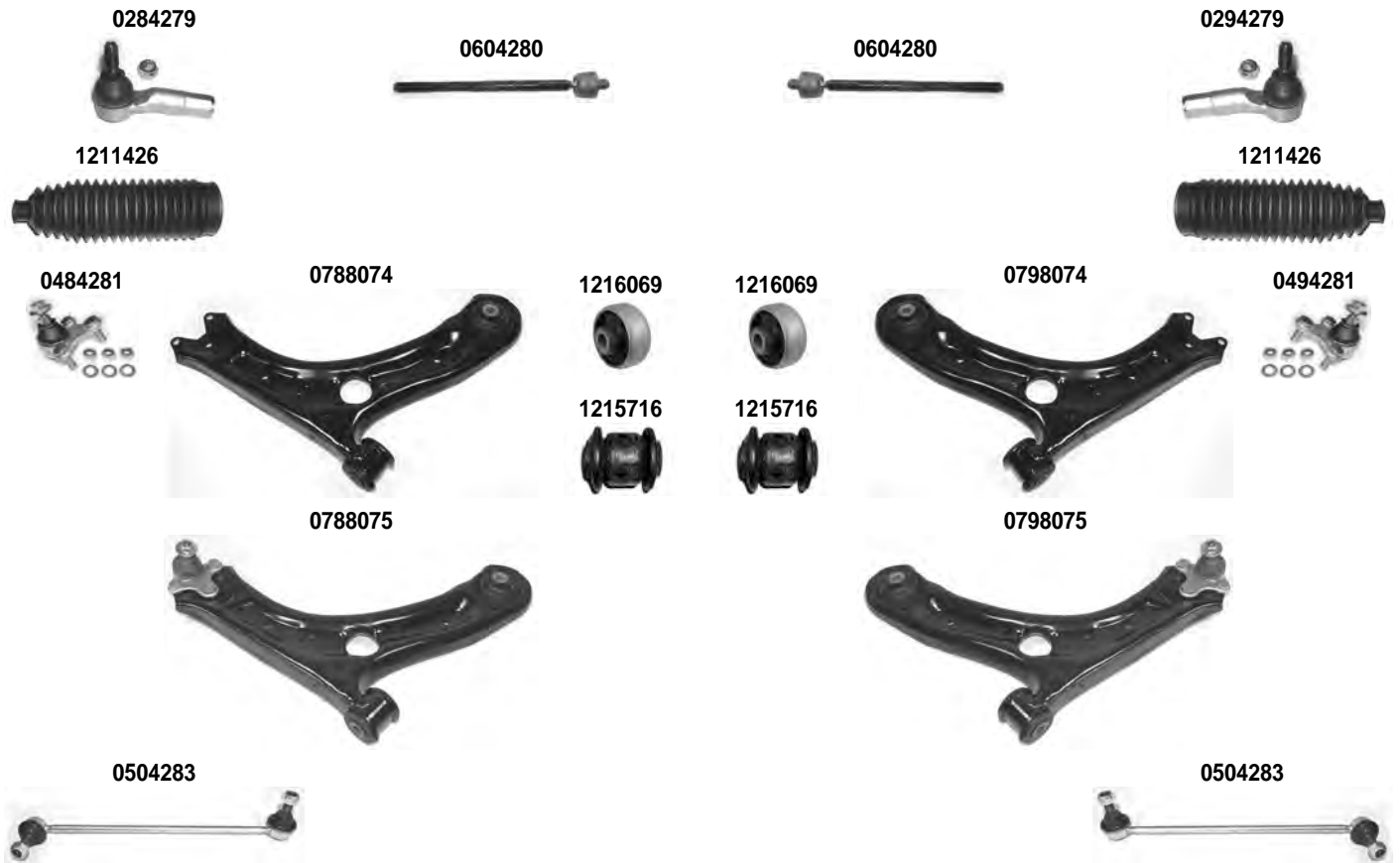
162

06/2010 >

Asse Anteriore



Front Axle



OCAP	O.E.		i	
0284279	1K0423812E	TESTA STERZO TIE ROD END		RHT M16X1,5
0294279	1K0423811E	TESTA STERZO TIE ROD END		RHT M16X1,5
0484281	5Q0407366A	SNODO SOSPENSIONE - INFERIORE BALL JOINT - LOWER		
0494281	5Q0407365A	SNODO SOSPENSIONE - INFERIORE BALL JOINT - LOWER		
0504283	1K0411315J	STABILIZZATORE STABILIZER LINK		
0604280	1K0423810A	SNODO ASSIALE AXIAL JOINT		RHT M16X1,5
0788074	5C0407152D	BRACCIO OSCILLANTE - INFERIORE TRACK CONTROL ARM - LOWER		
0788075	5C0407152D *	BRACCIO OSCILLANTE - INFERIORE - COMPLETO TRACK CONTROL ARM - LOWER - WITH BALL JOINT		
0798074	5C0407151D	BRACCIO OSCILLANTE - INFERIORE TRACK CONTROL ARM - LOWER		
0798075	5C0407151D *	BRACCIO OSCILLANTE - INFERIORE - COMPLETO TRACK CONTROL ARM - LOWER - WITH BALL JOINT		
1211426	1K0423831A	CUFFIA STERZO STEERING GAITER		
1215716	1K0407182	SILENTBLOCK CENTRALE CENTRAL BUSHING		
1216069	1K0407183M	SILENTBLOCK ESTREMO OUTER BUSHING		

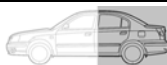
DESTRO
RIGHT



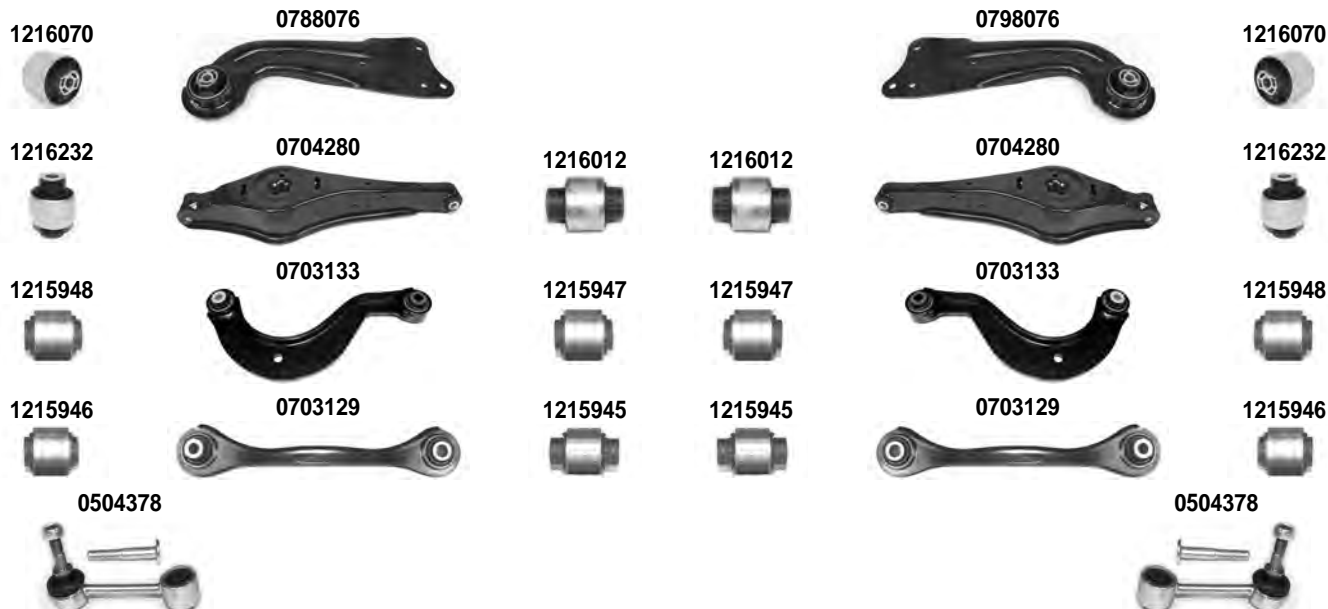
SINISTRO
LEFT

JETTA IV	162	06/2010 >
----------	-----	-----------

Asse Posteriore



Rear Axle



OCAP	O.E.		i	
0504378	1K0505465K	STABILIZZATORE STABILIZER LINK		
0703129	1K0501529J	BRACCIO SOSPENSIONE SUSPENSION ARM		
0703133	1K0505323P	BRACCIO SOSPENSIONE SUSPENSION ARM		
0704280	1K0505311AB	BRACCIO SOSPENSIONE SUSPENSION ARM		
0788076	1K0505224K	BRACCIO SOSPENSIONE SUSPENSION ARM		
0798076	1K0505223K	BRACCIO SOSPENSIONE SUSPENSION ARM		
1215945	-	SILENTBLOCK BRACCIO SOSPENSIONE - INTERNO CONTROL ARM BUSHING - INNER		DIAM. 12 mm.
1215946	-	SILENTBLOCK BRACCIO SOSPENSIONE - ESTERNO CONTROL ARM BUSHING - OUTER		DIAM. 14 mm.
1215947	1K0505279A	SILENTBLOCK BRACCIO SOSPENSIONE - INTERNO CONTROL ARM BUSHING - INNER		DIAM. 12 mm.
1215948	1K0505203A	SILENTBLOCK BRACCIO SOSPENSIONE - ESTERNO CONTROL ARM BUSHING - OUTER		DIAM. 14 mm.
1216012	1K0505311AB *	SILENTBLOCK BUSHING		
1216070	1K0505541C	SILENTBLOCK BUSHING		
1216232	1K0505553A	SILENTBLOCK BUSHING		

DESTRO
RIGHT

 SINISTRO
LEFT

LT 28 > 35

1975 > 1996

Asse Anteriore



Front Axle

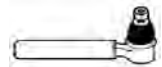
0500892



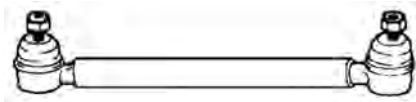
0501204



0280894



0500891



0500890



0190890



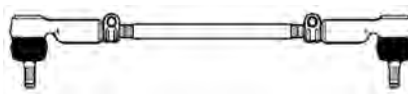
0180890



0280235



0500235



0290235


i 1) ECCEPPO - EXCEPT : MOD. 4X4

OCAP	O.E.		i	
0180890	281415812	TESTA STERZO TIE ROD END		RHT M14x1,5
0190890	281415811	TESTA STERZO TIE ROD END		LHT M14x1,5
0280235	-	TESTA STERZO TIE ROD END		RHT M16X1,5
0280894	-	TESTA STERZO TIE ROD END		RHT M16X1,5
0290235	-	TESTA STERZO TIE ROD END		LHT M16X1,5
0500235	281415801D	BARRA STERZO TIE ROD	1)	
0500890	-	BARRA STERZO TIE ROD		
0500891	281415802A	BARRA STERZO TIE ROD		
0500892	281415303B	BARRA STERZO TIE ROD		
0501204	281415701E	BARRA STERZO LONGITUDINALE DRAG LINK - EXCEPT 4X4	1)	

DESTRO
RIGHT



SINISTRO
LEFT

LT 28 > 35

1975 > 1996

Asse Anteriore

Front Axle



0400895



0400895-K



0400895-K



0400895



0400896



0400896-K



0400896-K



0400896



1214264



1214269



OCAP	O.E.			
0400895	281407361	SNODO SOSPENSIONE - SUPERIORE SUSPENSION JOINT - UPPER		
0400896	281407187B *	SNODO SOSPENSIONE - INFERIORE SUSPENSION JOINT - LOWER		
1214264	291411045	SILENTBLOCK BARRA STABILIZZATRICE STABILIZING BAR BUSHING		DIAM. 12 mm.
1214269	281411041	SILENTBLOCK BARRA STABILIZZATRICE STABILIZING BAR BUSHING		DIAM. 21 mm.
0400895-K	281407361 *	SNODO SOSPENSIONE - SUPERIORE - CON KIT SUSPENSION JOINT - UPPER - WITH KIT		
0400896-K	281407187B *	SNODO SOSPENSIONE INFERIORE - CON KIT SUSPENSION JOINT - LOWER - WITH KIT		

DESTRO
RIGHT

 SINISTRO
LEFT

LT 40 > 55

1975 > 1996

Asse Anteriore

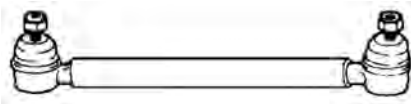


Front Axle

0500892



0500891



0502406



0182405



0182402



0400895



0400895-K



0400895-K



0400895



0400896



0400896-K



0400896-K



0400896



1214264



1214269



OCAP	O.E.			
0182402	291415711	TESTA STERZO TIE ROD END		RHT M18x1,5
0182405	291415811B	TESTA STERZO TIE ROD END		
0400895	281407361	SNODO SOSPENSIONE SUPERIORE SUSPENSION JOINT - UPPER		
0400896	281407187B	SNODO SOSPENSIONE INFERIORE SUSPENSION JOINT - LOWER		
0500891	281415802A	BARRA STERZO TIE ROD		
0500892	281415303B	BARRA STERZO TIE ROD		
0502406	291415801C	BARRA STERZO TIE ROD		
1214264	291411045	SILENTBLOCK BARRA STABILIZZATRICE STABILIZING BAR BUSHING		DIAM. 12 mm.
1214269	281411041	SILENTBLOCK BARRA STABILIZZATRICE STABILIZING BAR BUSHING		DIAM. 21 mm.
0400895-K	281407361 *	SNODO SOSPENSIONE SUPERIORE - CON KIT SUSPENSION JOINT - UPPER - WITH KIT		
0400896-K	281407187B *	SNODO SOSPENSIONE INFERIORE - CON KIT SUSPENSION JOINT - LOWER - WITH KIT		

DESTRO
RIGHT



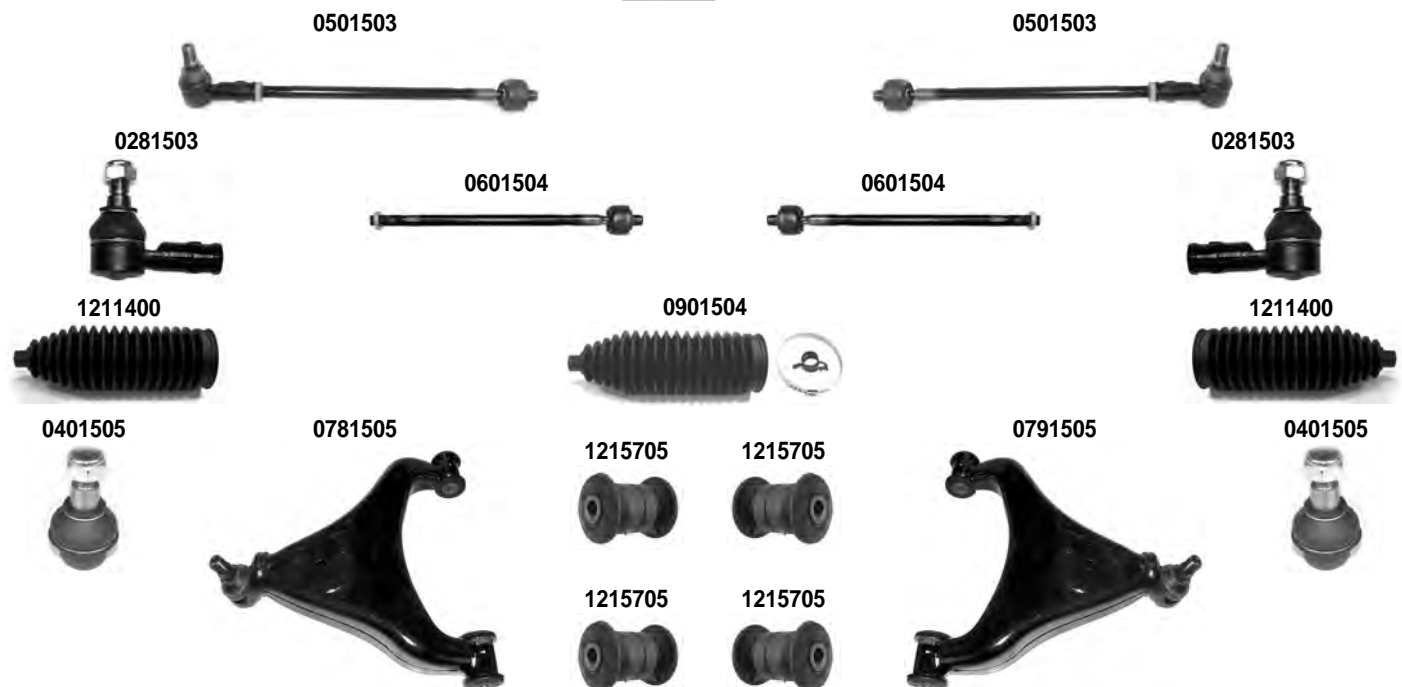
SINISTRO
LEFT

LT 28 - 35 - 46	LT	1996 >
-----------------	----	--------

Asse Anteriore



Front Axle



i 1) SOLO PER - ONLY FOR : CARICO ASSIALE 1350 - 1600 KG - LOAD PER AXLE 1350 - 1600 KG - ECCEPTE - EXCEPT LT 46

OCAP	O.E.		i	
0281503	2D0422811	TESTA STERZO TIE ROD END		RHT M16x1,5
0401505	2D0407361A	SNODO SOSPENSIONE SUSPENSION JOINT		
0501503	2D0422803	BARRA STERZO TIE ROD		
0601504	2D0422803 *	SNODO ASSIALE AXIAL JOINT		RHT M16x1,5
0781505	2D0407022B	BRACCIO OSCILLANTE TRACK CONTROL ARM	1)	
0791505	2D0407021B	BRACCIO OSCILLANTE TRACK CONTROL ARM	1)	
0901504	2D0498831	KIT CUFFIA STERZO STEERING GAITER KIT		
1211400	2D0422831	CUFFIA STERZO STEERING GAITER		
1215705	2D0407140	SILENTBLOCK BUSHING		

DESTRO
RIGHTSINISTRO
LEFT

LT 28 - 35 - 46

LT

1996 >

Asse Anteriore



Front Axle

1214064



0581514



1214064



1214064



0591514



1214064



Asse Posteriore



Rear Axle

0104151



0104151



Asse Anteriore



Front Axle

1214091



1214093



1214223






1214228



1214226



OCAP	O.E.			
0104151	2D0511329	PUNTONE BARRA STABILIZZATRICE STABILIZER LINK		
0581514	2D0411052	STABILIZZATORE - CON SILENTBLOCK STABILIZER LINK - WITH BUSHING		
0591514	2D0411051	STABILIZZATORE - CON SILENTBLOCK STABILIZER LINK - WITH BUSHING		
1214064	2D0411041A	SILENTBLOCK STABILIZZATORE STABILIZER LINK BUSHING		
1214091	2D0411041B	SILENTBLOCK BARRA STABILIZZATRICE STABILIZING BAR BUSHING		DIAM. 25 mm.
1214093	2D0511413A	SILENTBLOCK BARRA STABILIZZATRICE STABILIZING BAR BUSHING		DIAM. 23 mm.
1214223	2D0511413B	SILENTBLOCK BARRA STABILIZZATRICE STABILIZING BAR BUSHING		DIAM. 27 mm.
1214226	2D0511413D	SILENTBLOCK BARRA STABILIZZATRICE POSTERIORE - DIAM.33mm STABILIZING BAR BUSHING		DIAM. 33 mm.
1214228	2D0511413C	SILENTBLOCK BARRA STABILIZZATRICE STABILIZING BAR BUSHING		DIAM. 30 mm.

DESTRO
RIGHT



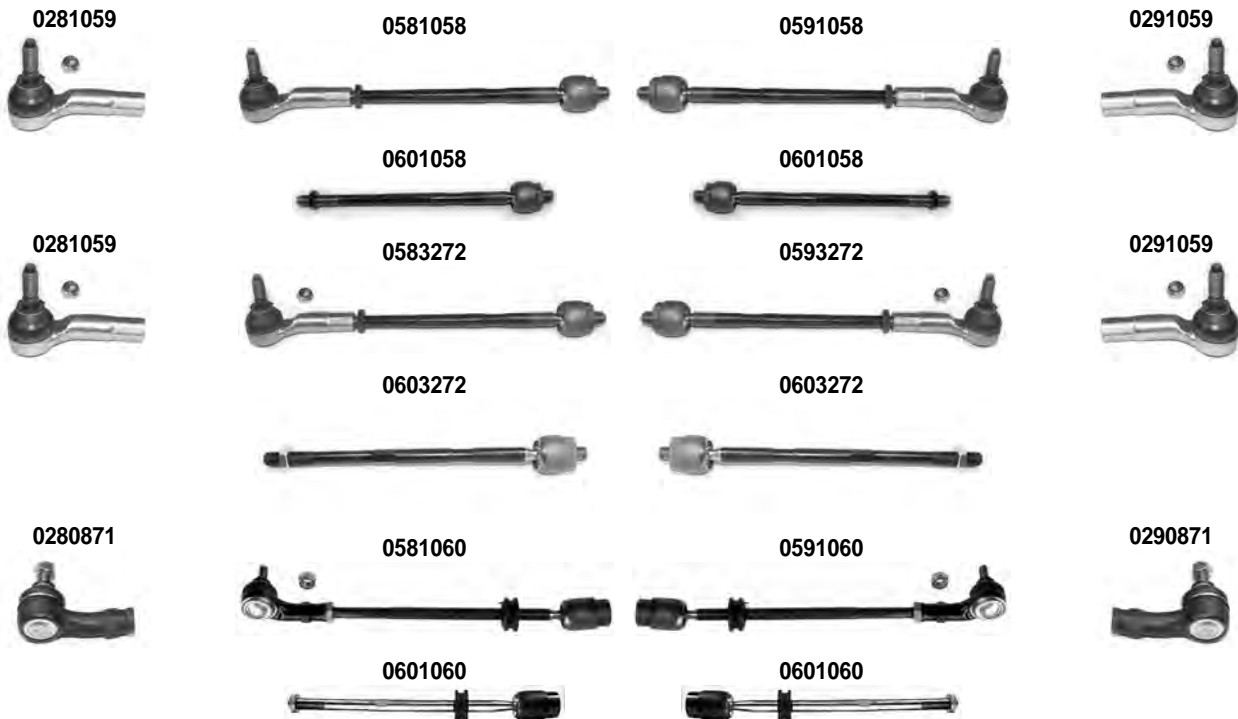
SINISTRO
LEFT

LUPO		1998 >
------	--	--------

Asse Anteriore



Front Axle



i 1) ECCESTO - EXCEPT : MOD. 1.4 16V-FSI 3) SERVOSTERZO - POWER STEERING	2) SOLO PER - ONLY FOR : MOD. 1.4 16V-FSI 4) STERZO MANUALE - MANUAL STEERING
--	--

OCAP	O.E.		i	
0280871	6N0419812	TESTA STERZO TIE ROD END	4)	RHT M14x1,5
0281059	6X0422812	TESTA STERZO TIE ROD END		
0290871	6N0419811	TESTA STERZO TIE ROD END	4)	RHT M14x1,5
0291059	6X0422811	TESTA STERZO TIE ROD END		
0581058	6X0422804	BARRA STERZO TIE ROD	1) 3)	
0581060	6X0419804A	BARRA STERZO TIE ROD	4)	
0583272	6N0422804C	BARRA STERZO TIE ROD	2) 3)	
0591058	6X0422803	BARRA STERZO TIE ROD	1) 3)	
0591060	6X0419803A	BARRA STERZO TIE ROD	4)	
0593272	6N0422803C	BARRA STERZO TIE ROD	2) 3)	
0601058	6X0422804 *	SNODO ASSIALE AXIAL JOINT	1) 3)	
0601060	6X0419804A *	SNODO ASSIALE AXIAL JOINT	4)	
0603272	6N0422804C *	SNODO ASSIALE AXIAL JOINT	2) 3)	

DESTRO
RIGHT



SINISTRO
LEFT

Lupo

1998 >

Asse Anteriore

Front Axle



i 3) SERVOSTERZO - POWER STEERING	4) STERZO MANUALE - MANUAL STEERING
--	--

OCAP	O.E.		i	
0480287	6N0407365A	SNODO SOSPENSIONE - INFERIORE <i>SUSPENSION JOINT - LOWER</i>		
0490287	6N0407365	SNODO SOSPENSIONE - INFERIORE <i>SUSPENSION JOINT - LOWER</i>		
0701062	6N0407151A	BRACCIO OSCILLANTE - INFERIORE <i>TRACK CONTROL ARM - LOWER</i>		
0781062	-	BRACCIO OSCILLANTE - INFERIORE - COMPLETO <i>TRACK CONTROL ARM - LOWER - WITH BALL JOINT</i>		
0791062	-	BRACCIO OSCILLANTE - INFERIORE - COMPLETO <i>TRACK CONTROL ARM - LOWER - WITH BALL JOINT</i>		
0901612	-	KIT CUFFIA STERZO <i>STEERING GAITER KIT</i>	3)	
0901624	-	KIT CUFFIA STERZO <i>STEERING GAITER KIT</i>	4)	
1211132	6N0419831	CUFFIA STERZO <i>STEERING GAITER</i>	4)	
1211180	6N0422831	CUFFIA STERZO <i>STEERING GAITER</i>	3)	
1215091	6N0407181	SILENTBLOCK ESTREMO <i>OUTER BUSHING</i>		
1215146	6N0407182	SILENTBLOCK CENTRALE <i>CENTRAL BUSHING</i>		
1249203	6N0407175A	STAFFA <i>STIRRUP</i>		

DESTRO
RIGHT



SINISTRO
LEFT

LUPO		1998 >
------	--	--------

Asse Anteriore

Front Axle



1214026



1249284



1214027



i 5) MOTORI - ENGINE AFK-ANM

OCAP	O.E.		i	
0181011	6N0411315C	PUNTOLE BARRA STABILIZZATRICE STABILIZER LINK		DIAM. 18 mm.
0181061	6N0411315D	PUNTOLE BARRA STABILIZZATRICE STABILIZER LINK		DIAM. 20/22 mm.
1214026	6N0411313	SILENTBLOCK CENTRALE BARRA STABILIZZATRICE STABILIZING BAR BUSHING - CENTRAL		DIAM. 18 mm.
1214027	6N0411313A	SILENTBLOCK CENTRALE BARRA STABILIZZATRICE STABILIZING BAR BUSHING - CENTRAL	5)	DIAM. 20 mm.
1249284	6N0411337	STAFFA BARRA STABILIZZATRICE BRACKET FOR STABILIZING BAR		
0181011-K	6N0411315 *	KIT PUNTOLE BARRA STABILIZZATRICE STABILIZER LINK KIT		DIAM. 18 mm.
0181061-K	6N0411315A *	KIT PUNTOLE BARRA STABILIZZATRICE STABILIZER LINK KIT		DIAM. 20/22 mm.

DESTRO
RIGHTSINISTRO
LEFT

NEW BEETLE

1998 >

Asse Anteriore



Front Axle

**i** 1) CON SILENTBLOCK - WITH BUSHING

OCAP	O.E.		i	
0283086	1J0422812B	TESTA STERZO TIE ROD END		RHT M14x1,5
0293086	1J0422811B	TESTA STERZO TIE ROD END		RHT M14x1,5
0483037	1J0407366C	SNODO SOSPENSIONE SUSPENSION JOINT		
0493037	1J0407365C	SNODO SOSPENSIONE SUSPENSION JOINT		
0583085	1J0422804B	BARRA STERZO TIE ROD		
0593085	1J0422803B	BARRA STERZO TIE ROD		
0603085	1J0422807B	SNODO ASSIALE AXIAL JOINT		RHT M14x1,5
0702882	1J0407151B	BRACCIO OSCILLANTE TRACK CONTROL ARM	1)	
0902881	-	KIT CUFFIE STERZO STEERING GAITER KIT		
1211329	1J0422831B	CUFFIA STERZO STEERING GAITER		
1215039	357407182	SILENTBLOCK BUSHING		
1215198	1J0407181	SILENTBLOCK BUSHING		
1249121	1H0407175A	STAFFA STIRRUP		

DESTRO
RIGHT



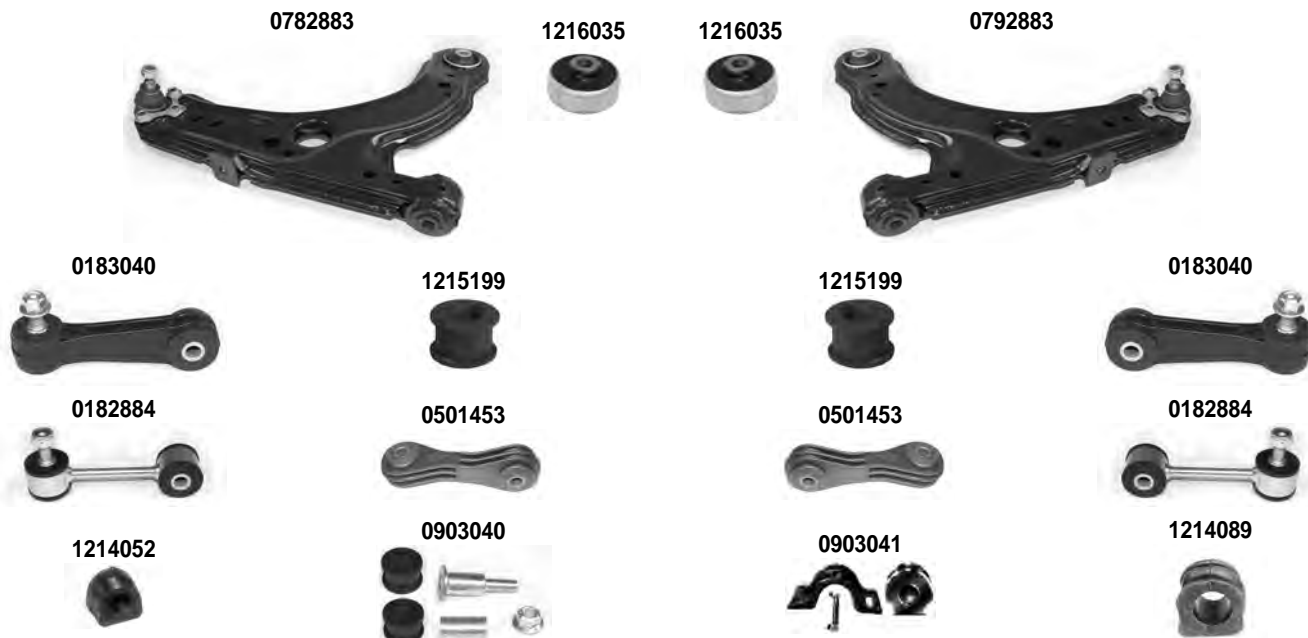
SINISTRO
LEFT

NEW BEETLE

1998 >

Asse Anteriore

Front Axle



i	2) PER BARRE - FOR BAR - DIAM. 21 mm.	3) PER BARRE - FOR BAR - DIAM. 23 mm.
	4) CH. 1C-1-400 001 > 1C-1-451 000 CH. 9C-1-600 001 > 9C-1-636 000	5) CH. 1C-1-451 001 > CH. 9C-1-636 001 >
	7) VERSIONE RINFORZATA - RENFORCED	

OCAP	O.E.		i	
0182884	1J0411315G	STABILIZZATORE STABILIZER LINK	3) 4)	
0183040	1J0411315C	STABILIZZATORE STABILIZER LINK	2)	
0501453	1J0411315H	STABILIZZATORE STABILIZER LINK	5)	
0782883	-	BRACCIO OSCILLANTE COMPLETO COMPLETE TRACK CONTROL ARM		
0792883	-	BRACCIO OSCILLANTE COMPLETO COMPLETE TRACK CONTROL ARM		
0903040	1J0411323 *	KIT STABILIZZATORE STABILIZER LINK KIT		
0903041	1J0411336B *	KIT SILENTBLOCK BARRA STABILIZZATRICE STABILIZING BAR BUSHING KIT		DIAM. 19 mm.
1214052	1J0411314C	SILENTBLOCK BARRA STABILIZZATRICE STABILIZING BAR BUSHING		DIAM. 21 mm.
1214089	1J0411314T	SILENTBLOCK BARRA STABILIZZATRICE STABILIZING BAR BUSHING		DIAM. 21 mm.
1215199	1J0411327	SILENTBLOCK PER STABILIZZATORE STABILIZER LINK BUSHING		
1216035	8N0407181B	SILENTBLOCK BUSHING	7)	

DESTRO
RIGHT



SINISTRO
LEFT

NEW BEETLE

1998 >

Asse Posteriore



Rear Axle

1215200



0903137



1215200



1216151






0905577



1216151



OCAP	O.E.			
0903137	6R0501541A *	KIT SILENTBLOCK BUSHING KIT		DIAM. 72 mm.
0905577	1J0501541D *	KIT SILENTBLOCK BUSHING KIT		DIAM. 69 mm.
1215200	6R0501541A	SILENTBLOCK BUSHING		DIAM. 72 mm.
1216151	1J0501541D	SILENTBLOCK BUSHING		DIAM. 69 mm.

DESTRO
RIGHT



SINISTRO
LEFT

PASSAT - SANTANA - CORSAR

1973 > 1981

Asse Anteriore



Front Axle



OCAP	O.E.			
0190533	321419805	TESTA STERZO TIE ROD END		LHT M 14x1.5
0400543	823407365C	SNODO SOSPENSIONE SUSPENSION JOINT		DIAM. 15 mm.
0500540	823419801F	BARRA STERZO TIE ROD		
0702048	823407147	BRACCIO OSCILLANTE TRACK CONTROL ARM		
0902074	171419832C *	KIT CUFFIE STERZO STEERING GAITER KITS		
1211138	171419832C	CUFFIA STERZO STEERING GAITER		
1211139	171419831C	CUFFIA STERZO STEERING GAITER		
1215161	823407181	SILENTBLOCK BUSHING		

DESTRO
RIGHT

 SINISTRO
LEFT

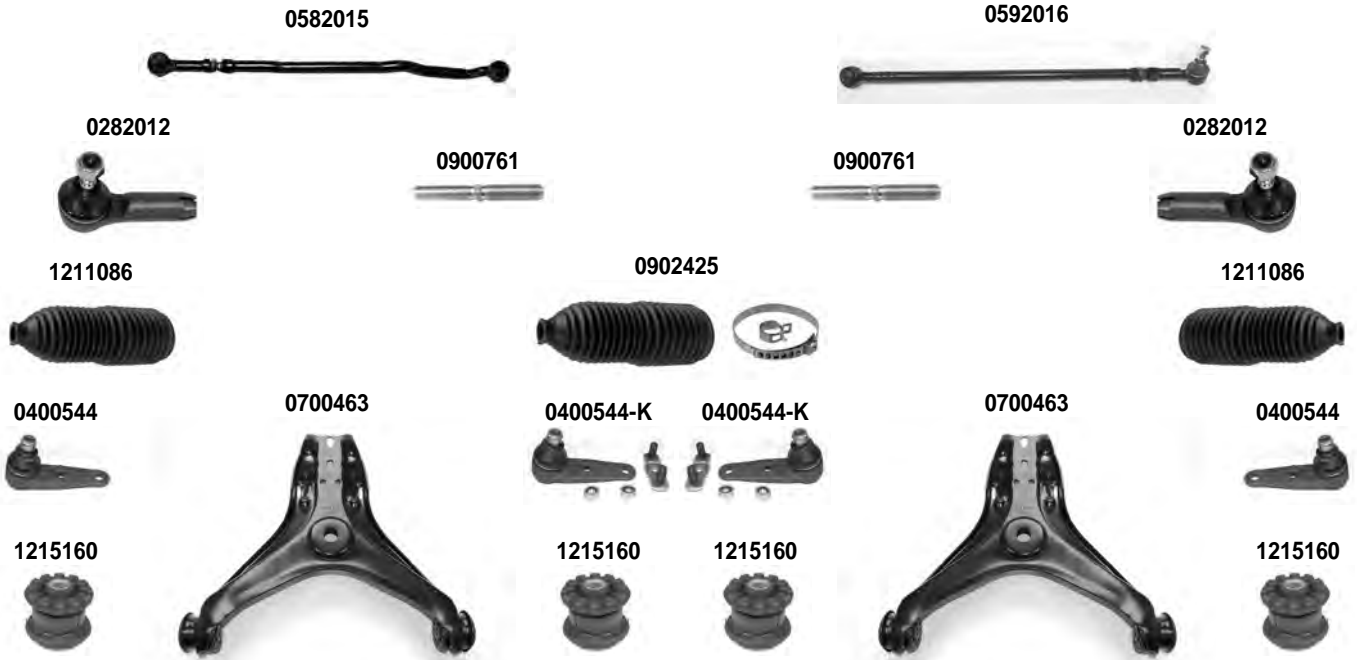
PASSAT - SANTANA

1981 > 1988

Asse Anteriore



Front Axle


i 1) STERZO MANUALE - MANUAL STEERING

OCAP	O.E.			
0282012	811419812A	TESTA STERZO TIE ROD END		RHT M14x1,5
0400544	823407365E	SNODO SOSPENSIONE SUSPENSION JOINT		DIAM. 17 mm.
0582015	811419802J	BARRA STERZO TIE ROD		
0592016	811419801E	BARRA STERZO TIE ROD		
0700463	893407147G	BRACCIO OSCILLANTE TRACK CONTROL ARM	1)	
0900761	-	GIUNTO COLLEGAMENTO ADJUSTMENT BOLT		
0902425	811419831B *	KIT CUFFIE STERZO STEERING GAITER KITS		
1211086	811419831B	CUFFIA STERZO STEERING GAITER		
1215160	811407181A	SILENTBLOCK BUSHING	1)	
0400544-K	823407365E *	KIT SNODO SOSPENSIONE SUSPENSION JOINT KIT		DIAM. 17 mm.

DESTRO
RIGHT



SINISTRO
LEFT

PASSAT - SANTANA

1981 > 1988

Asse Anteriore



Front Axle

0482016

0782055

0792055

0492016



1215162

1215162



1215162

1215162



1214065

1215387



i 2) SERVOSTERZO - POWER STEERING
4) 81-F-150000 > CH. 8A-L-038757

3) > 81-D-077973

OCAP	O.E.		i	
0482016	855407366B	SNODO SOSPENSIONE SUSPENSION JOINT	2)	DIAM. 17 mm.
0492016	855407365B	SNODO SOSPENSIONE SUSPENSION JOINT	2)	DIAM. 17 mm.
0782055	893407148C	BRACCIO OSCILLANTE POWER STEERING	2)	
0792055	893407147C	BRACCIO OSCILLANTE POWER STEERING	2)	
1214065	823411327B	SILENTBLOCK BARRA STABILIZZATRICE STABILIZING BAR BUSHING	3)	DIAM. 19 mm
1215162	857407181	SILENTBLOCK BUSHING		
1215387	811411327A	SILENTBLOCK BARRA STABILIZZATRICE STABILIZING BAR BUSHING	4)	DIAM. 20 mm.

DESTRO
RIGHT

 SINISTRO
LEFT

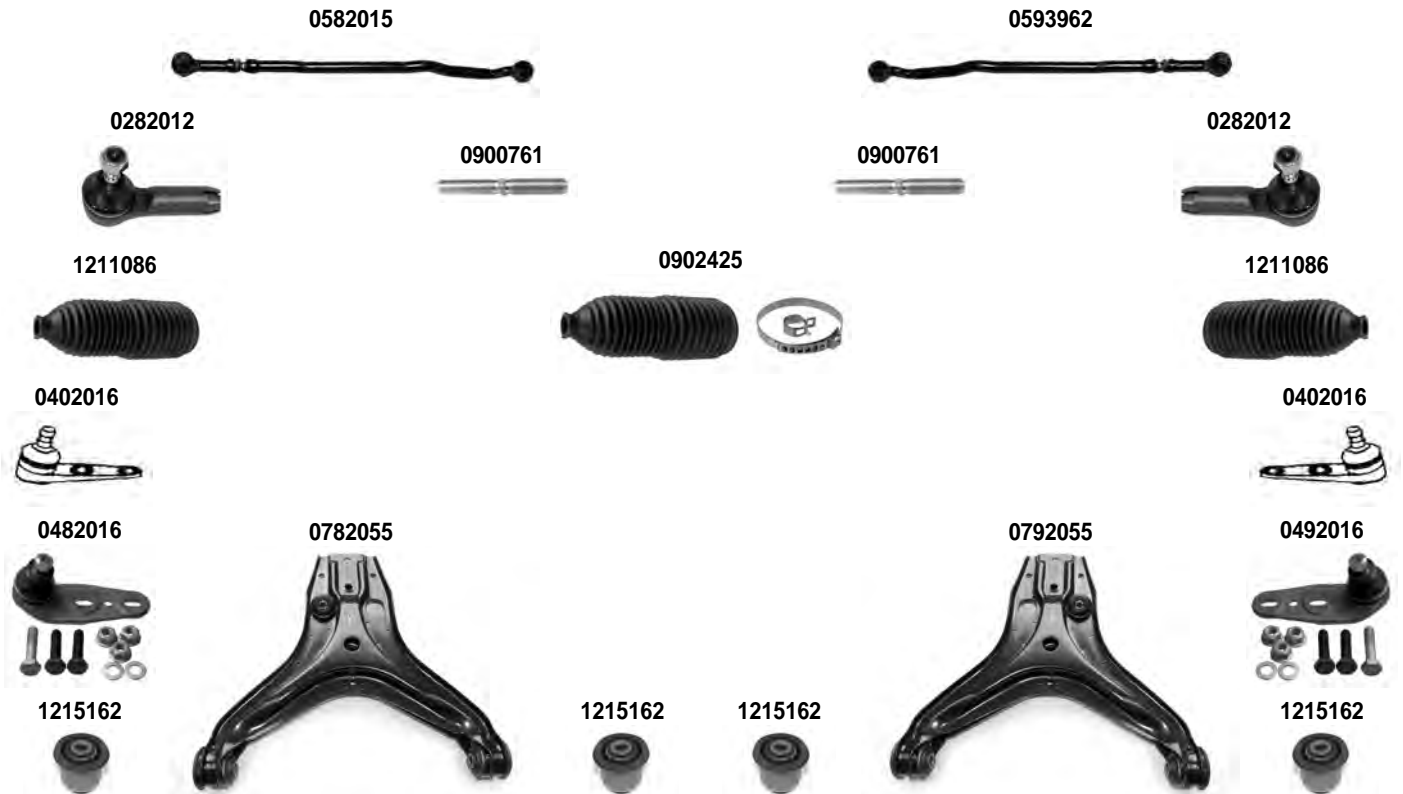
PASSAT VARIANT SYNCRO

1985 > 1988

Asse Anteriore



Front Axle



i 1) SERVOSTERZO - POWER STEERING 3) SENZA ABS - WITHOUT ABS	2) CON ABS - WITH ABS
--	-----------------------

OCAP	O.E.		i	
0282012	811419812A	TESTA STERZO TIE ROD END		RHT M14x1,5
0402016	853407365	SNODO SOSPENSIONE SUSPENSION JOINT	1) 2)	DIAM. 17 mm.
0482016	855407366B	SNODO SOSPENSIONE SUSPENSION JOINT	1) 3)	DIAM. 17 mm.
0492016	855407365B	SNODO SOSPENSIONE SUSPENSION JOINT	1) 3)	DIAM. 17 mm.
0582015	811419802J	BARRA STERZO TIE ROD		
0593962	321419801G	BARRA STERZO TIE ROD		
0782055	893407148C	BRACCIO OSCILLANTE POWER STEERING	1)	
0792055	893407147C	BRACCIO OSCILLANTE POWER STEERING	1)	
0900761	-	GIUNTO COLLEGAMENTO ADJUSTMENT BOLT		
0902425	811419831B *	KIT CUFFIE STERZO STEERING GAITER KITS		
1211086	811419831B	CUFFIA STERZO STEERING GAITER		
1215162	857407181	SILENTBLOCK BUSHING		

DESTRO
RIGHT



SINISTRO
LEFT

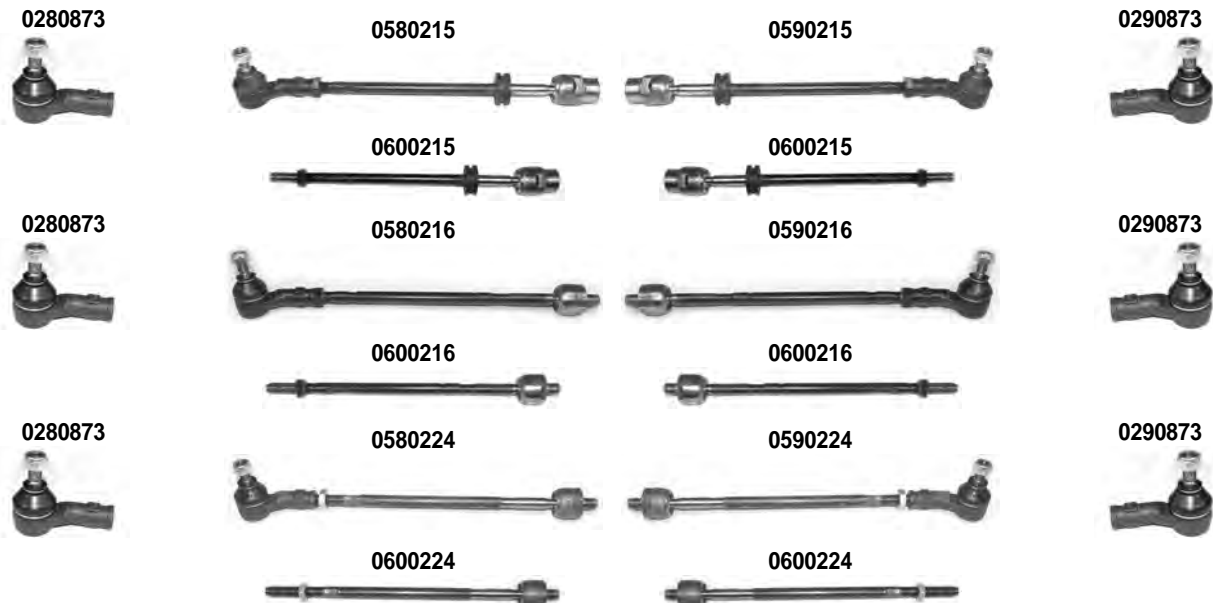
PASSAT

1988 > 1993

Asse Anteriore



Front Axle



i 1) STERZO MANUALE - MANUAL STEERING 3) SCATOLA STERZO - STEERING BOX - TRW	2) SERVOSTERZO - POWER STEERING 4) SCATOLA STERZO - STEERING BOX - ZF
--	--

OCAP	O.E.		
0280873	191419812	TESTA STERZO TIE ROD END	RHT M14x1,5
0290873	191419811	TESTA STERZO TIE ROD END	RHT M14x1,5
0580215	357419804	BARRA STERZO TIE ROD	1)
0580216	357422804	BARRA STERZO TIE ROD	2) 3)
0580224	357422804A	BARRA STERZO TIE ROD	2) 4)
0590215	357419803A	BARRA STERZO TIE ROD	1)
0590216	357422803	BARRA STERZO TIE ROD	2) 3)
0590224	357422803A	BARRA STERZO TIE ROD	2) 4)
0600215	-	SNODO ASSIALE AXIAL JOINT	1)
0600216	357422804 *	SNODO ASSIALE AXIAL JOINT	2) 3)
0600224	-	SNODO ASSIALE AXIAL JOINT	2) 4)

DESTRO
RIGHTSINISTRO
LEFT

PASSAT

1988 > 1993

Asse Anteriore



Front Axle

1211086



0902425



1211086



1211287



0900419



1211287



0401235



0700071



1215060



1215060



0700071



0401235



0401235-K



1215039



1215039



0401235-K



1249079



0700068



0700068



1249079



i 1) STERZO MANUALE - MANUAL STEERING
3) SCATOLA STERZO - STEERING BOX - TRW

2) SERVOSTERZO - POWER STEERING

OCAP	O.E.		i	
0401235	357407365A	SNODO SOSPENSIONE - INFERIORE SUSPENSION JOINT - LOWER		DIAM. 19 mm.
0700068	-	BRACCIO OSCILLANTE - COMPLETO COMPLETE TRACK CONTROL ARM		
0700071	357407151	BRACCIO OSCILLANTE - INFERIORE - CON SILENTBLOCK TRACK CONTROL ARM - LOWER - WITH BUSHING		
0900419	-	KIT CUFFIE STERZO STEERING GAITER KITS	2)	
0902425	-	KIT CUFFIE STERZO STEERING GAITER KITS	1)	
1211086	811419831B	CUFFIA STERZO STEERING GAITER	1)	
1211287	1H0422831B	CUFFIA STERZO STEERING GAITER	2) 3)	
1215039	357407182	SILENTBLOCK BUSHING		
1215060	191407181D	SILENTBLOCK BUSHING		
1249079	191407175	STAFFA STIRRUP		
0401235-K	-	SNODO SOSPENSIONE - INFERIORE - CON KIT SUSPENSION JOINT - LOWER - WITH KIT		DIAM. 19 mm.

DESTRO
RIGHT



SINISTRO
LEFT

PASSAT		1988 > 1993
--------	--	-------------

Asse Anteriore



Front Axle



1214267



1214268



1215413



1214266



1214265



AssePosteriore



Rear Axle

1215658



1215658



i 5) DIAM. INTERNO - INNER DIAM. 18 mm. - PER BARRA - FOR BAR : DIAM. 19 mm.	i 6) DIAM. INTERNO - INNER DIAM. 20 mm. - PER BARRA - FOR BAR : DIAM. 21 mm.
---	---

OCAP	O.E.		i	
0181012	357411315D	PUNTORE BARRA STABILIZZATRICE STABILIZER LINK		
0182900	357411315C	PUNTORE BARRA STABILIZZATRICE STABILIZER LINK	5)	
1214265	357411313	SILENTBLOCK BARRA STABILIZZATRICE STABILIZING BAR BUSHING		DIAM. 21 mm.
1214266	357411313A	SILENTBLOCK BARRA STABILIZZATRICE STABILIZING BAR BUSHING		DIAM. 22,7 mm.
1214267	357411314	SILENTBLOCK BARRA STABILIZZATRICE STABILIZING BAR BUSHING		DIAM. 21 mm.
1214268	357411314A	SILENTBLOCK BARRA STABILIZZATRICE STABILIZING BAR BUSHING		DIAM. 22,7 mm.
1215413	191407190A	BOCCOLA CENTRAGGIO BRACCIO OSCILLANTE BUSHING TO CENTRE CONTROL ARM		
1215658	3A0501541	SILENTBLOCK BUSHING		
0181012-K	357411315D *	KIT PUNTORE BARRA STABILIZZATRICE STABILIZER LINK KIT	6)	
0182900-K	357411315C *	KIT PUNTORE BARRA STABILIZZATRICE STABILIZER LINK KIT	5)	

DESTRO
RIGHTSINISTRO
LEFTPASSAT (EXCEPT 16 V - VR6)
PASSAT VARIANT (EXCEPT 16 V - VR6)1994 > 08/1996
1994 > 05/1997

Asse Anteriore



Front Axle

0280873



0580216



0590216



0290873



0600216



0600216



1211180



0903048



1211180

**i** 1) SCATOLA STERZO ZF - SERVOSTERZO -ESCLUSO : MOD. V6 -STEERING BOX - ZF - POWER STEERING - EXCEPT : MOD. V6

OCAP	O.E.		i	
0280873	191419812	TESTA STERZO TIE ROD END		RHT M14x1,5
0290873	191419811	TESTA STERZO TIE ROD END		RHT M14x1,5
0580216	357422804	BARRA STERZO TIE ROD		
0590216	357422803	BARRA STERZO TIE ROD		
0600216	357422804 *	SNODO ASSIALE AXIAL JOINT		RHT M14x1,5
0903048	-	KIT CUFFIE STERZO STEERING GAITER KITS	1)	
1211180	6N0422831	CUFFIA STERZO STEERING GAITER	1)	

PASSAT (EXCEPT 16 V - VR6)

DESTRO
RIGHT



SINISTRO
LEFT

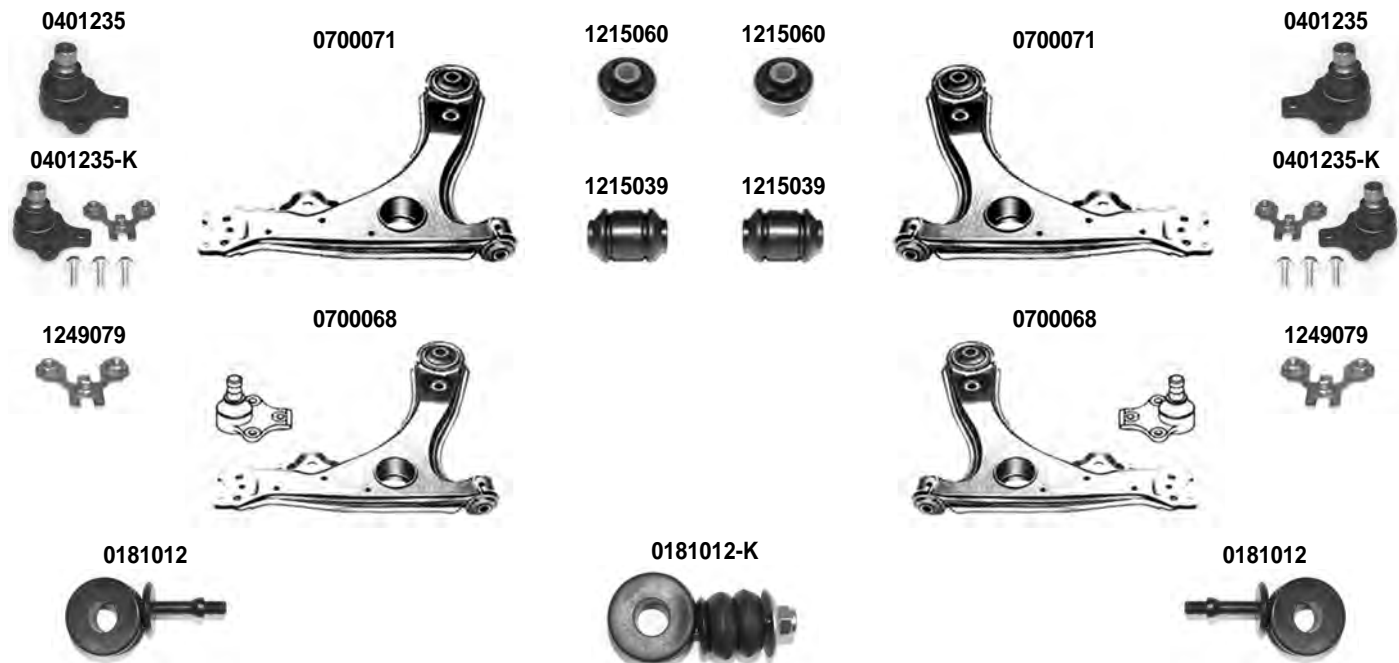
PASSAT (EXCEPT 16 V - VR6)
PASSAT VARIANT (EXCEPT 16 V - VR6)

1994 > 08/1996
1994 > 05/1997

Asse Anteriore



Front Axle



OCAP	O.E.			
0181012	357411315D	PUNTOLE BARRA STABILIZZATRICE STABILIZER LINK		
0401235	357407365A	SNODO SOSPENSIONE - INFERIORE SUSPENSION JOINT - LOWER		DIAM. 19 mm.
0700068	-	BRACCIO OSCILLANTE - COMPLETO COMPLETE TRACK CONTROL ARM		
0700071	357407151	BRACCIO OSCILLANTE - INFERIORE - CON SILENTBLOCK TRACK CONTROL ARM - LOWER - WITH BUSHING		
1215039	357407182	SILENTBLOCK BUSHING		
1215060	191407181E	SILENTBLOCK BUSHING		
1249079	191407175	STAFFA STIRRUP		
0181012-K	357411315D *	KIT PUNTOLE BARRA STABILIZZATRICE STABILIZER LINK KIT		
0401235-K	-	SNODO SOSPENSIONE - INFERIORE - CON KIT SUSPENSION JOINT - LOWER - WITH KIT		DIAM. 19 mm.

DESTRO
RIGHT



SINISTRO
LEFT

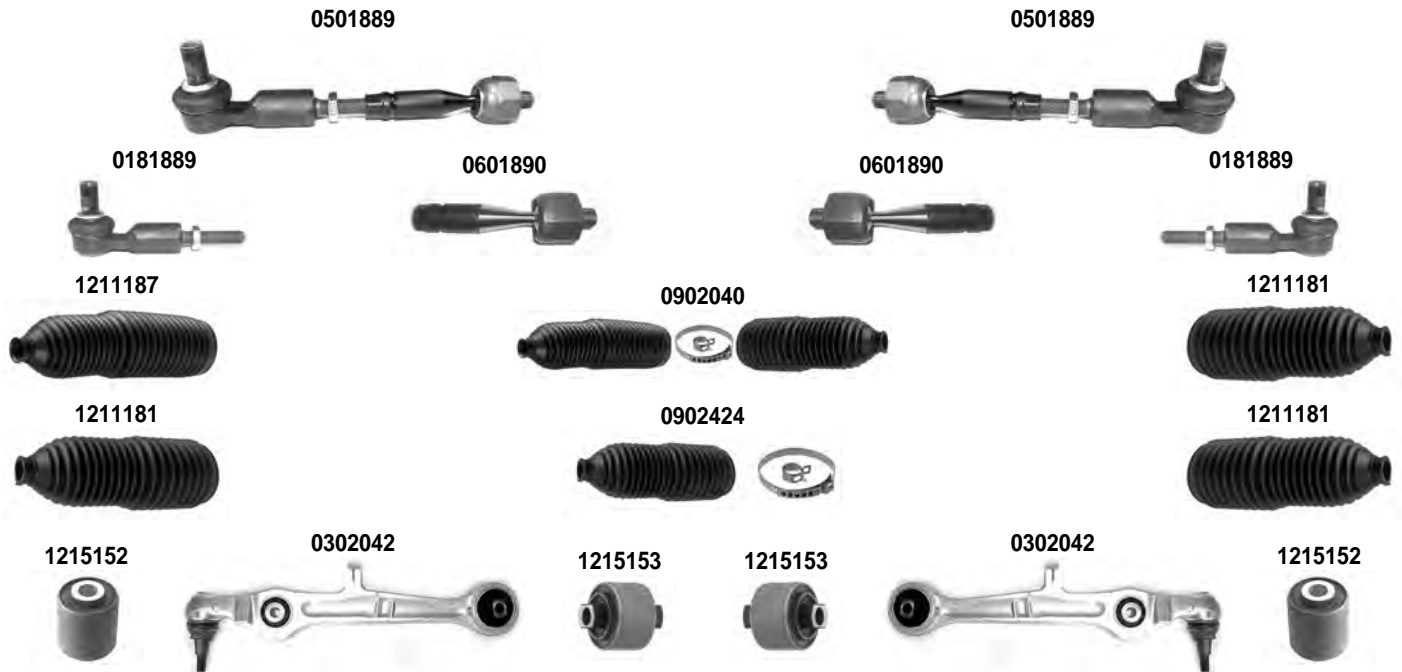
PASSAT
PASSAT VARIANT

08/1996 > 2000
06/1997 > 2000

Asse Anteriore



Front Axle



i 1) 4 CILINDRI - 4 CILINDRES 2) 6 CILINDRI - 6 CILINDRES

OCAP	O.E.		i	
0181889	8E0419811B	TESTA STERZO TIE ROD END		RHT M14x1,5
0302042	4D0407151P	BRACCIO OSCILLANTE - ALLUMINIO TRACK CONTROL ARM - ALUMINIUM		
0501889	8E0419801B	BARRA STERZO TIE ROD		
0601890	8E0422821	SNODO ASSIALE AXIAL JOINT		RHT M14x1,5
0902040	8D0419831J *	KIT CUFFIE STERZO STEERING GAITER KITS	1)	
0902424	4D0419831D *	KIT CUFFIE STERZO STEERING GAITER KITS	2)	
1211181	4D0419831D	CUFFIA STERZO STEERING GAITER	1)	
1211187	8D0419831J	CUFFIA STERZO STEERING GAITER	1)	
1215152	4D0407181F	SILENTBLOCK CENTRALE CENTRAL BUSHING		
1215153	4D0407182E	SILENTBLOCK ESTREMO OUTER BUSHING		

DESTRO
RIGHT



SINISTRO
LEFT

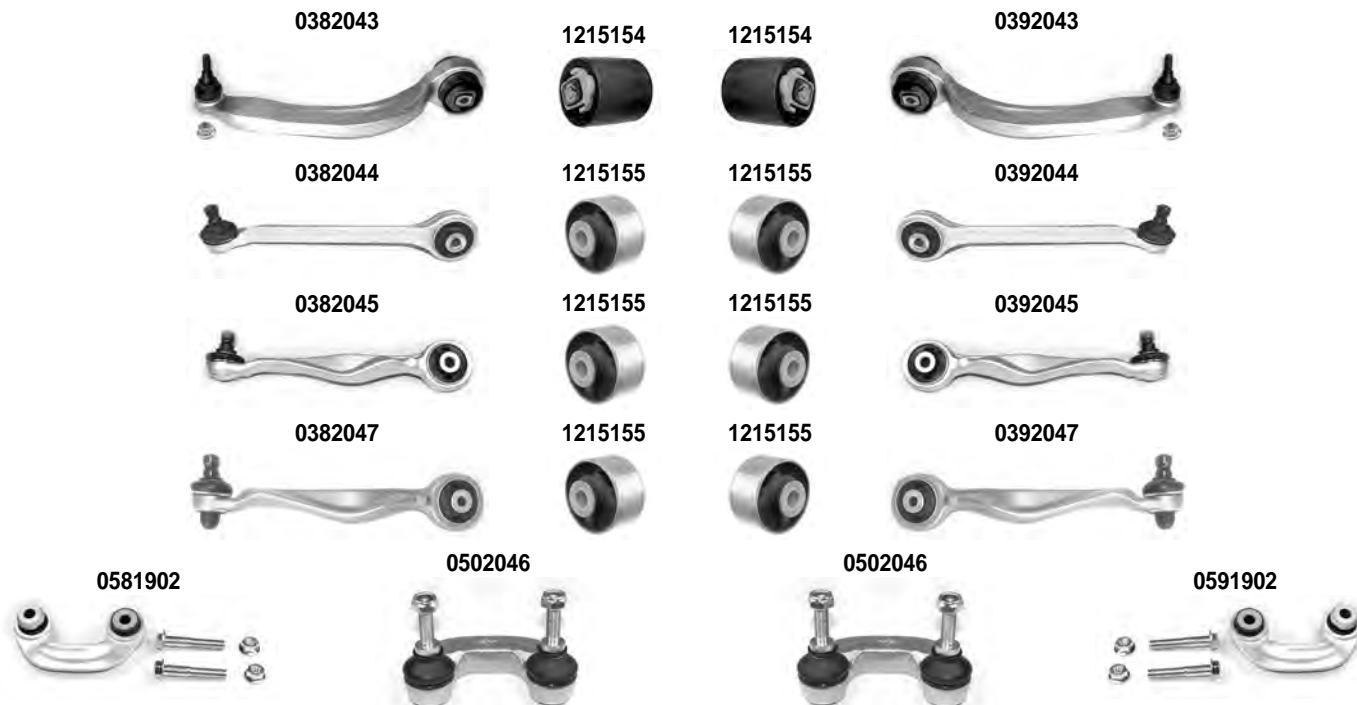
PASSAT
PASSAT VARIANT

08/1996 > 2000
06/1997 > 2000

Asse Anteriore



Front Axle



i 3) > 3BVE083008 - > 3BVP102593
5) > CH. 3B-XP213726

4) 3BVE083009 > - 3BVP102594 >
6) CH. 3B-XP213727 >

OCAP	O.E.		i	
0382043	8E0407694Q	BRACCIO OSCILLANTE - ALLUMINIO TRACK CONTROL ARM - ALUMINIUM		
0382044	8D0407506K	BRACCIO OSCILLANTE SUPERIORE - ALLUMINIO UPPER TRACK CONTROL ARM - ALUMINIUM		
0382045	4D0407510K	BRACCIO OSCILLANTE SUPERIORE - ALLUMINIO UPPER TRACK CONTROL ARM - ALUMINIUM	3)	
0382047	8E0407510A	BRACCIO OSCILLANTE SUPERIORE - ALLUMINIO UPPER TRACK CONTROL ARM - ALUMINIUM	4)	
0392043	8E0407693Q	BRACCIO OSCILLANTE - ALLUMINIO TRACK CONTROL ARM - ALUMINIUM		
0392044	8D0407505K	BRACCIO OSCILLANTE SUPERIORE - ALLUMINIO UPPER TRACK CONTROL ARM - ALUMINIUM		
0392045	4D0407509K	BRACCIO OSCILLANTE SUPERIORE - ALLUMINIO UPPER TRACK CONTROL ARM - ALUMINIUM	3)	
0392047	8E0407509A	BRACCIO OSCILLANTE SUPERIORE - ALLUMINIO UPPER TRACK CONTROL ARM - ALUMINIUM	4)	
0502046	4D0411317J	STABILIZZATORE - ALLUMINIO STABILIZER LINK - ALUMINIUM	5)	
0581902	8D0411318D	STABILIZZATORE - ALLUMINIO STABILIZER LINK - ALUMINIUM	6)	
0591902	8D0411317D	STABILIZZATORE - ALLUMINIO STABILIZER LINK - ALUMINIUM	6)	
1215154	4D0407183Q	SILENTBLOCK IDRAULICO HYDRAULIC BUSHING		
1215155	4B0407515	SILENTBLOCK BUSHING		

DESTRO
RIGHTSINISTRO
LEFTPASSAT
PASSAT VARIANT08/1996 > 2000
06/1997 > 2000

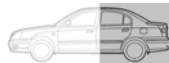
Asse Anteriore



Front Axle



Asse Posteriore



Rear Axle



OCAP	O.E.		i	
0503071	8E0505465D	STABILIZZATORE STABILIZER LINK		
1214125	4D0411327E	SILENTBLOCK BARRA STABILIZZATRICE STABILIZING BAR BUSHING		DIAM. 25 mm.
1214126	4D0411327H	SILENTBLOCK BARRA STABILIZZATRICE STABILIZING BAR BUSHING		DIAM. 27 mm.
1249594	4B0501522E	SUPPORTO SOSPENSIONE - ALLUMINIO SUSPENSION SUPPORT - ALUMINIUM		
1249595	4B0501521E	SUPPORTO SOSPENSIONE - ALLUMINIO SUSPENSION SUPPORT - ALUMINIUM		
0904185-K	8D0498998 *	KIT STERZO E SOSPENSIONI CON KIT VITI SENZA STABILIZZATORI STEERING & SUSPENSION KIT WITH BOLT KIT WITHOUT STABILIZER LINK		
0904190-K	4D0498998 *	KIT STERZO E SOSPENSIONI CON STABILIZZATORI E KIT VITI STEERING & SUSPENSION KIT WITH STABILIZER LINK AND BOLT KIT		

DESTRO
RIGHT



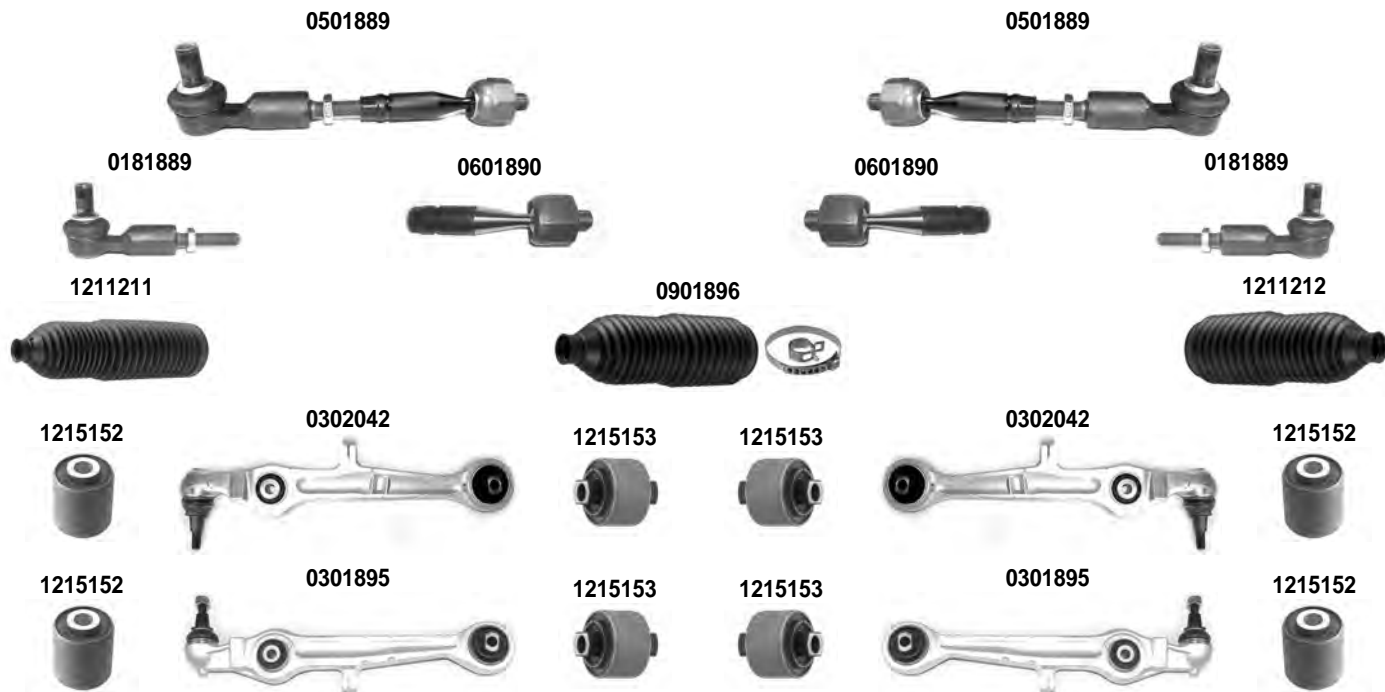
SINISTRO
LEFT

PASSAT PASSAT VARIANT	3B3 3B6	11/2000 > 2005 11/2000 > 2005
--	------------	----------------------------------

Asse Anteriore



Front Axle



i 1) > 12/2003 -> CH. 3B-3-071 999	2) 01/2004 > - CH. 3B-3-072 000 > - ESCLUSO MOTORI - EXCEPT ENGINE : AVF-AWX
---	--

OCAP	O.E.		i	
0181889	8E0419811B	TESTA STERZO TIE ROD END		RHT M14x1,5
0301895	4B3407151F	BRACCIO OSCILLANTE - ALLUMINIO TRACK CONTROL ARM - ALUMINIUM	2)	
0302042	4D0407151P	BRACCIO OSCILLANTE - ALLUMINIO TRACK CONTROL ARM - ALUMINIUM	1)	
0501889	8E0419801B	BARRA STERZO TIE ROD		
0601890	8E0422821	SNODO ASSIALE AXIAL JOINT		RHT M14x1,5
0901896	-	KIT CUFFIE STERZO STEERING GAITER KITS		
1211211	8DO419831K	CUFFIA STERZO STEERING GAITER		
1211212	4D0419831E	CUFFIA STERZO STEERING GAITER		
1215152	4D0407181H	SILENTBLOCK CENTRALE CENTRAL BUSHING		
1215153	4D0407182E	SILENTBLOCK ESTREMO OUTER BUSHING		

DESTRO
RIGHT

 SINISTRO
LEFT

PASSAT
PASSAT VARIANT

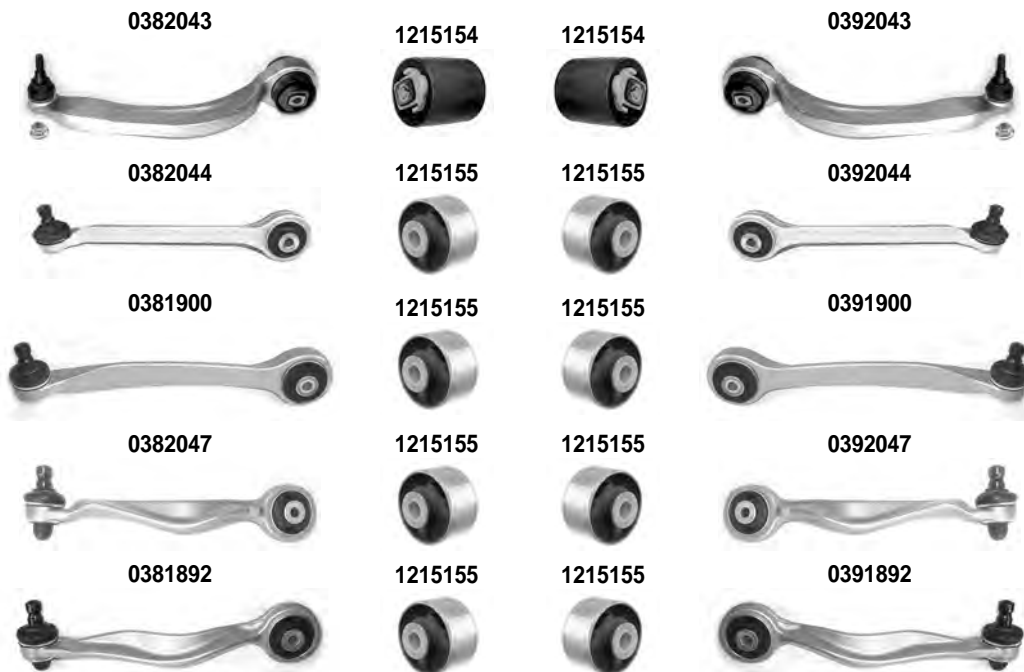
 3B3
3B6

 11/2000 > 2005
11/2000 > 2005

Asse Anteriore



Front Axle



i 3) CH. >3B-1-120000 - 3B-1E164000	4) CH. 3B-1-120001 > - 3B-1E164001 >
--	--------------------------------------

OCAP	O.E.		i	
0381892	8E0407510P	BRACCIO OSCILLANTE SUPERIORE - ALLUMINIO UPPER TRACK CONTROL ARM - ALUMINIUM	4)	
0381900	8E0407506C	BRACCIO OSCILLANTE SUPERIORE - ALLUMINIO UPPER TRACK CONTROL ARM - ALUMINIUM	4)	
0382043	8E0407694Q	BRACCIO OSCILLANTE - ALLUMINIO TRACK CONTROL ARM - ALUMINIUM		
0382044	8D0407506K	BRACCIO OSCILLANTE SUPERIORE - ALLUMINIO UPPER TRACK CONTROL ARM - ALUMINIUM	3)	
0382047	8E0407510A	BRACCIO OSCILLANTE SUPERIORE - ALLUMINIO UPPER TRACK CONTROL ARM - ALUMINIUM	3)	
0391892	8E0407509P	BRACCIO OSCILLANTE SUPERIORE - ALLUMINIO UPPER TRACK CONTROL ARM - ALUMINIUM	4)	
0391900	8E0407505C	BRACCIO OSCILLANTE SUPERIORE - ALLUMINIO UPPER TRACK CONTROL ARM - ALUMINIUM	4)	
0392043	8E0407693Q	BRACCIO OSCILLANTE - ALLUMINIO TRACK CONTROL ARM - ALUMINIUM		
0392044	8D0407505K	BRACCIO OSCILLANTE SUPERIORE - ALLUMINIO UPPER TRACK CONTROL ARM - ALUMINIUM	3)	
0392047	8E0407509A	BRACCIO OSCILLANTE SUPERIORE - ALLUMINIO UPPER TRACK CONTROL ARM - ALUMINIUM	3)	
1215154	4D0407183Q	SILENTBLOCK IDRAULICO HYDRAULIC BUSHING		
1215155	4B0407515	SILENTBLOCK BUSHING		

DESTRO
RIGHT



SINISTRO
LEFT

PASSAT PASSAT VARIANT	3B3 3B6	11/2000 > 2005 11/2000 > 2005
--------------------------	------------	----------------------------------

Asse Anteriore



Front Axle

0581902

1214126

0591902



0904523-K

0904524-K



Asse Posteriore



Rear Axle

0503071

1249594

1249595

0503071



i 1) > 12/2003 - > CH. 3B-3-071 999

OCAP	O.E.		i	
0503071	8E0505465D	STABILIZZATORE STABILIZER LINK		
0581902	8D0411318D	STABILIZZATORE - ALLUMINIO STABILIZER LINK - ALUMINIUM		
0591902	8D0411317D	STABILIZZATORE - ALLUMINIO STABILIZER LINK - ALUMINIUM		
1214126	4D0411327H	SILENTBLOCK BARRA STABILIZZATRICE STABILIZING BAR BUSHING		DIAM. 27 mm.
1249594	4B0501522E	SUPPORTO SOSPENSIONE - ALLUMINIO SUSPENSION SUPPORT - ALUMINIUM		
1249595	4B0501521E	SUPPORTO SOSPENSIONE - ALLUMINIO SUSPENSION SUPPORT - ALUMINIUM		
0904523-K	8E0419811B *	KIT STERZO E SOSPENSIONI CON STABILIZZATORI E KIT VITI STEERING & SUSPENSION KIT WITH STABILIZER LINK AND BOLT KIT	1)	
0904524-K	8E0419811B **	KIT STERZO E SOSPENSIONI CON KIT VITI SENZA STABILIZZATORI STEERING & SUSPENSION KIT WITH BOLT KIT WITHOUT STABILIZER LINK	1)	

DESTRO
RIGHT



SINISTRO
LEFT

PASSAT - PASSAT VARIANT PASSAT PASSAT VARIANT PASSAT CC	3C2-3C5 362 365 357	03/2005 > 08/2010 > 08/2010 > 06/2008 >
--	------------------------------	--

Asse Anteriore



Front Axle

0284279



0604280



0604280



0294279



0604280



0604280






1211426



1211426



OCAP	O.E.			
0284279	1K0423812E	TESTA STERZO TIE ROD END		RHT M16x1,5
0294279	1K0423811E	TESTA STERZO TIE ROD END		RHT M16x1,5
0604280	1K0423810A	SNODO ASSIALE AXIAL JOINT		RHT M16x1,5
1211426	1K0423831A	CUFFIA STERZO STEERING GAITER		

DESTRO
RIGHT



SINISTRO
LEFT

PASSAT - PASSAT VARIANT PASSAT PASSAT VARIANT PASSAT CC	3C2-3C5 362 365 357	03/2005 > 08/2010 > 08/2010 > 06/2008 >
--	------------------------------	--

Asse Anteriore



Front Axle



OCAP	O.E.			
0302117	3C0407151A	BRACCIO OSCILLANTE - INFERIORE - ALLUMINIO TRACK CONTROL ARM - LOWER - ALUMINIUM		
0382117	-	BRACCIO OSCILLANTE - INFERIORE - ALLUMINIO TRACK CONTROL ARM - LOWER - ALUMINIUM		
0392117	-	BRACCIO OSCILLANTE - INFERIORE - ALLUMINIO TRACK CONTROL ARM - LOWER - ALUMINIUM		
0482117	3C0407366B	SNODO SOSPENSIONE - INFERIORE BALL JOINT - LOWER		
0492117	3C0407365B	SNODO SOSPENSIONE - INFERIORE BALL JOINT - LOWER		
1215567	1K0407183E	SILENTBLOCK BUSHING		
1215716	1K0407182	SILENTBLOCK CENTRALE CENTRAL BUSHING		
1215778	3C0199231A	SILENTBLOCK ESTREMO - ALLUMINIO OUTER BUSHING - ALUMINIUM		

DESTRO
RIGHTSINISTRO
LEFTPASSAT - PASSAT VARIANT
PASSAT
PASSAT VARIANT
PASSAT CC3C2-3C5
362
365
35703/2005 >
08/2010 >
08/2010 >
06/2008 >

Asse Anteriore



Front Axle

**i** 1) ECCEPPO - EXCEPT : 3C2-3C5

OCAP	O.E.		i	
0482117	3C0407366B	SNODO SOSPENSIONE - INFERIORE BALL JOINT - LOWER		
0492117	3C0407365B	SNODO SOSPENSIONE - INFERIORE BALL JOINT - LOWER		
0504283	1K0411315D	STABILIZZATORE STABILIZER LINK		
0782116	5N0407152 *	BRACCIO OSCILLANTE - INFERIORE - COMPLETO COMPLETE TRACK CONTROL ARM - LOWER	1)	
0782117	5N0407152	BRACCIO OSCILLANTE - INFERIORE - LAMIERA TRACK CONTROL ARM - LOWER - SHEET METAL	1)	
0792116	5N0407151 *	BRACCIO OSCILLANTE - INFERIORE - COMPLETO COMPLETE TRACK CONTROL ARM - LOWER	1)	
0792117	5N0407151	BRACCIO OSCILLANTE - INFERIORE - LAMIERA TRACK CONTROL ARM - LOWER - SHEET METAL	1)	
1214296	1K0411303AM *	SILENTBLOCK BARRA STABILIZZATRICE STABILIZING BAR BUSHING		DIAM. 23 mm.
1215567	1K0407183E	SILENTBLOCK BUSHING		
1215716	1K0407182	SILENTBLOCK CENTRALE CENTRAL BUSHING		
1215778	3C0199231A	SILENTBLOCK ESTREMO - ALLUMINIO OUTER BUSHING - ALUMINIUM		

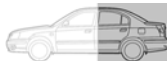
DESTRO
RIGHT



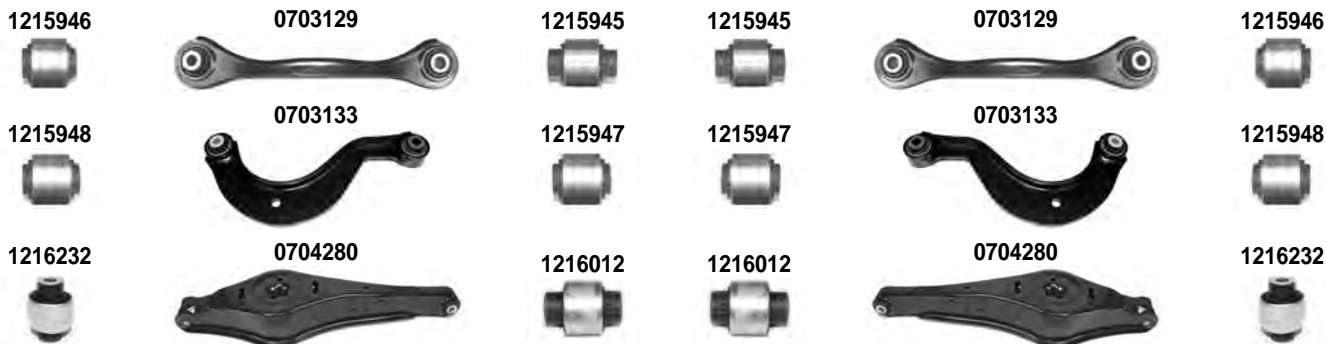
SINISTRO
LEFT

PASSAT - PASSAT VARIANT PASSAT PASSAT VARIANT PASSAT CC	3C2-3C5 362 365 357	03/2005 > 08/2010 > 08/2010 > 06/2008 >
--	------------------------------	--

Asse Posteriore



Rear Axle



i 2) 06/2009 > 4) 2.0 TDI - 09/2012 >	3) > 09/2014
---	--------------

OCAP	O.E.		i	
0703129	1K0501529J	BRACCIO SOSPENSIONE SUSPENSION ARM	2)	
0703133	1K0505323N	BRACCIO SOSPENSIONE SUSPENSION ARM		
0704280	1K0505311AB	BRACCIO SOSPENSIONE SUSPENSION ARM		
1215945	-	SILENTBLOCK BRACCIO SOSPENSIONE - INTERNO CONTROL ARM BUSHING - INNER		DIAM. 12 mm.
1215946	-	SILENTBLOCK BRACCIO SOSPENSIONE - ESTERNO CONTROL ARM BUSHING - OUTER		DIAM. 14 mm.
1215947	1K0505279A	SILENTBLOCK BRACCIO SOSPENSIONE - INTERNO CONTROL ARM BUSHING - INNER		DIAM. 12 mm.
1215948	1K0505203A	SILENTBLOCK BRACCIO SOSPENSIONE - ESTERNO CONTROL ARM BUSHING - OUTER		DIAM. 14 mm.
1216012	1K0505311AB *	SILENTBLOCK BUSHING		
1216232	1K0505553A	SILENTBLOCK BUSHING		

DESTRO
RIGHT



SINISTRO
LEFT

PASSAT - PASSAT VARIANT PASSAT PASSAT VARIANT PASSAT CC	3C2-3C5 362 365 357	03/2005 > 08/2010 > 08/2010 > 06/2008 >
--	------------------------------	--



Asse Posteriore



Rear Axle



i 3) > 09/2014	4) 2.0 TDI - 09/2012 >
-----------------------	------------------------

OCAP	O.E.		i	
0504378	1K0505465K	STABILIZZATORE STABILIZER LINK		
0789288	3C0505224D	BRACCIO SOSPENSIONE SUSPENSION ARM	3)	
0789289	1K0505224L	BRACCIO SOSPENSIONE SUSPENSION ARM	4)	
0799288	3C0505223D	BRACCIO SOSPENSIONE SUSPENSION ARM	3)	
0799289	1K0505223L	BRACCIO SOSPENSIONE SUSPENSION ARM	4)	
1214131	1K0511327AR	SILENTBLOCK BARRA STABILIZZATRICE STABILIZING BAR BUSHING		DIAM. 20,7 mm.
1214144	1K0511327AQ	SILENTBLOCK BARRA STABILIZZATRICE STABILIZING BAR BUSHING		DIAM. 17 mm.

DESTRO
RIGHT



SINISTRO
LEFT

PASSAT PASSAT VARIANT	3G2 3G5	08/2014 > 08/2014 >
--------------------------	------------	------------------------

Asse Anteriore



Front Axle



OCAP	O.E.			
0284279	1K0423812E	TESTA STERZO TIE ROD END		RHT M16x1,5
0294279	1K0423811E	TESTA STERZO TIE ROD END		RHT M16x1,5
0482117	3C0407366B	SNODO SOSPENSIONE - INFERIORE BALL JOINT - LOWER		
0492117	3C0407365B	SNODO SOSPENSIONE - INFERIORE BALL JOINT - LOWER		
0604280	1K0423810A	SNODO ASSIALE AXIAL JOINT		RHT M16x1,5
0785758	3Q0407152E	BRACCIO OSCILLANTE - INFERIORE TRACK CONTROL ARM - LOWER		
0785759	3Q0407152E *	BRACCIO OSCILLANTE - INFERIORE - COMPLETO TRACK CONTROL ARM - LOWER - COMPLETE		
0795758	3Q0407151E	BRACCIO OSCILLANTE - INFERIORE TRACK CONTROL ARM - LOWER		
0795759	3Q0407151E *	BRACCIO OSCILLANTE - INFERIORE - COMPLETO TRACK CONTROL ARM - LOWER - COMPLETE		
1211426	1K0423831A	CUFFIA STERZO STEERING GAITER		
1215716	1K0407182	SILENTBLOCK CENTRALE CENTRAL BUSHING		
1216229	5Q0407183E	SILENTBLOCK ESTREMO OUTER BUSHING		

DESTRO
RIGHT



SINISTRO
LEFT

PASSAT
PASSAT VARIANT

3G2
3G5

08/2014 >
08/2014 >

Asse Anteriore



Front Axle

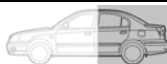
0504283



0504283



Asse Posteriore



Rear Axle

1216070



0785751



0795751



1216070



1216233



0705751



1216234



1216234



0705751



1216233



1215948



0703133



1215947



1215947



0703133



1215948



0708512



1216340



1216340



0708512



0505748



0505748



OCAP	O.E.			
0504283	1K0411315D	STABILIZZATORE STABILIZER LINK		
0505748	5Q0505465C	STABILIZZATORE STABILIZER LINK		
0703133	1K0505323N	BRACCIO SOSPENSIONE SUSPENSION ARM		
0705751	5Q0501529C	BRACCIO SOSPENSIONE SUSPENSION ARM		
0708512	3Q0505311E	BRACCIO SOSPENSIONE SUSPENSION ARM		
0785751	5Q0505224D	BRACCIO SOSPENSIONE SUSPENSION ARM		
0795751	5Q0505223D	BRACCIO SOSPENSIONE SUSPENSION ARM		
1215947	1K0505279A	SILENTBLOCK BRACCIO SOSPENSIONE - INTERNO CONTROL ARM BUSHING - INNER		DIAM. 12 mm.
1215948	1K0505203A	SILENTBLOCK BRACCIO SOSPENSIONE - ESTERNO CONTROL ARM BUSHING - OUTER		DIAM. 14 mm.
1216070	1K0407541C	SILENTBLOCK BUSHING		
1216233	5Q0501529C *	SILENTBLOCK BUSHING		
1216234	5Q0501529C **	SILENTBLOCK BUSHING		
1216340	3Q0505311E *	SILENTBLOCK BUSHING		

DESTRO
RIGHT



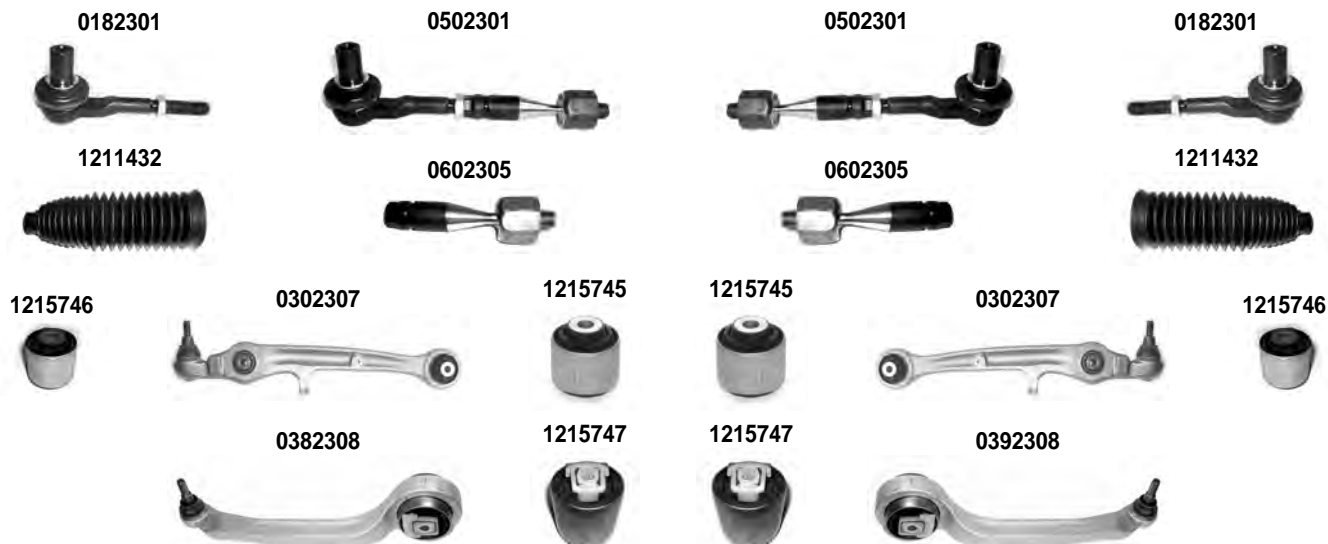
SINISTRO
LEFT

PHAETON	3D2	04/2002 >
---------	-----	-----------

Asse Anteriore



Front Axle



OCAP	O.E.			
0182301	4E0419811E	TESTA STERZO TIE ROD END		RHT M16x1,5
0302307	4E0407151J	BRACCIO OSCILLANTE - INFERIORE - ACCIAIO TRACK CONTROL ARM - LOWER - STEEL		
0382308	4E0407694N	BRACCIO OSCILLANTE - INFERIORE - ALLUMINIO TRACK CONTROL ARM - LOWER - ALUMINIUM		
0392308	4E0407693N	BRACCIO OSCILLANTE - INFERIORE - ALLUMINIO TRACK CONTROL ARM - LOWER - ALUMINIUM		
0502301	4E0419801D	BARRA STERZO TIE ROD		
0602305	4E0419821	SNODO ASSIALE AXIAL JOINT		RHT M16x1,5
1211432	4E0419831	CUFFIA STERZO STEERING GAITER		
1215745	4E0407182C	SILENTBLOCK ESTREMO OUTER BUSHING		
1215746	4E0407181D	SILENTBLOCK CENTRALE CENTRAL BUSHING		
1215747	4E0407183A	SILENTBLOCK BUSHING		

DESTRO
RIGHT

 SINISTRO
LEFT

PHAETON

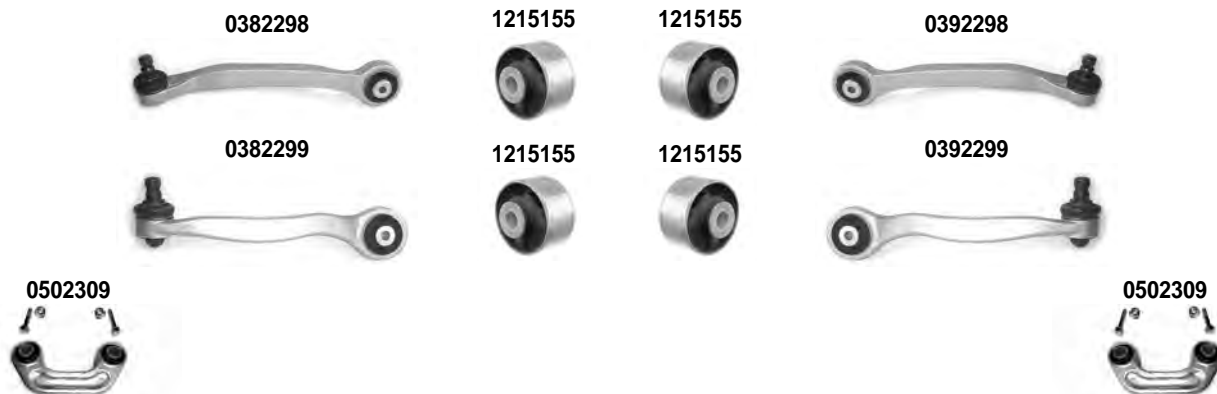
3D2

04/2002 >

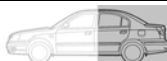
Asse Anteriore



Front Axle



Asse Posteriore



Rear Axle



OCAP	O.E.		i	
0302328	4E0501529D	BRACCIO SOSPENSIONE - ALLUMINIO TRACK CONTROL ARM - ALUMINIUM		
0382298	4E0407506B	BRACCIO OSCILLANTE - SUPERIORE - ALLUMINIO TRACK CONTROL ARM - UPPER - ALUMINIUM		
0382299	4E0407510B	BRACCIO OSCILLANTE - SUPERIORE - ALLUMINIO TRACK CONTROL ARM - UPPER - ALUMINIUM		
0392298	4E0407505B	BRACCIO OSCILLANTE - SUPERIORE - ALLUMINIO TRACK CONTROL ARM - UPPER - ALUMINIUM		
0392299	4E0407509B	BRACCIO OSCILLANTE - SUPERIORE - ALLUMINIO TRACK CONTROL ARM - UPPER - ALUMINIUM		
0502309	4E0411317D	STABILIZZATORE STABILIZER LINK		
0502330	4E0505465G	STABILIZZATORE STABILIZER LINK		
0582086	4D0505548C	GIUNTO SOSPENSIONE SUSPENSION JOINT		
0592086	4D0505547C	GIUNTO SOSPENSIONE SUSPENSION JOINT		
1215155	8D0407515A	SILENTBLOCK BRACCI SUPERIORI UPPER CONTROL ARM BUSHING		
1215796	-	SILENTBLOCK BUSHING		

DESTRO
RIGHT



SINISTRO
LEFT

POLO - DERBY

> 1982

Asse Anteriore



Front Axle

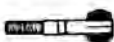
0580530



0590530



0190532



0580531



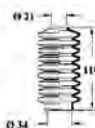
1211083



1211225



1211084



1211225



i 1) > 1979	2) 1979 >
--------------------	-----------

OCAP	O.E.		i	
0190532	861419862A	TESTA STERZO TIE ROD END		LHT M 14x1,5
0580530	861419802	BARRA STERZO TIE ROD		
0580531	861419802	BARRA STERZO TIE ROD		
0590530	861419801C	BARRA STERZO TIE ROD		
1211083	861419831A	CUFFIA STERZO STEERING GAITER	1)	
1211084	861419831B	CUFFIA STERZO STEERING GAITER	2)	
1211225	861419832	CUFFIA STERZO STEERING GAITER	1)	

DESTRO
RIGHT



SINISTRO
LEFT

POLO - DERBY

> 1982

Asse Anteriore



Front Axle

1215019

0300534

1215020

1215020

0300534

1215019





1215375

1214124



i 3) 10/1978 >

OCAP	O.E.		i	
0300534	861407151B	BRACCIO OSCILLANTE TRACK CONTROLARM	3)	
1214124	861407183	SILENTBLOCK BARRA STABILIZZATRICE STABILIZING BAR BUSHING		DIAM. 12 mm.
1215019	-	SILENTBLOCK CENTRALE CENTRAL BUSHING		
1215020	-	SILENTBLOCK ESTREMO OUTER BUSHING		
1215375	867411313	BOCCOLA BARRA STABILIZZATRICE STABILIZING BAR BUSHING		DIAM. 16,5 mm.

DESTRO
RIGHT



SINISTRO
LEFT

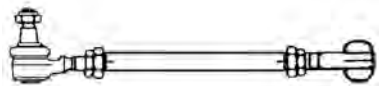
POLO	86C	1983 > 09/1994
-------------	-----	----------------

Asse Anteriore



Front Axle

0580870



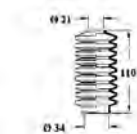
0590870



0580532



1211084



1211225



1215019



0300534



1215020



1215020



0300534



1215019



1215375



OCAP	O.E.			
0300534	861407151B	BRACCIO OSCILLANTE TRACK CONTROL ARM		
0580532	872419802A	BARRA STERZO - R H D TIE ROD		
0580870	871419802	BARRA STERZO TIE ROD		
0590870	871419801A	BARRA STERZO - L H D TIE ROD		
1211084	861419831B	CUFFIA STERZO STEERING GAITER		
1211225	861419832	CUFFIA STERZO STEERING GAITER		
1215019	-	SILENTBLOCK CENTRALE CENTRAL BUSHING		
1215020	-	SILENTBLOCK ESTREMO OUTER BUSHING		
1215375	867411313	BOCCOLA BARRA STABILIZZATRICE STABILIZING BAR BUSHING		DIAM. 16,5 mm.

DESTRO
RIGHTSINISTRO
LEFT

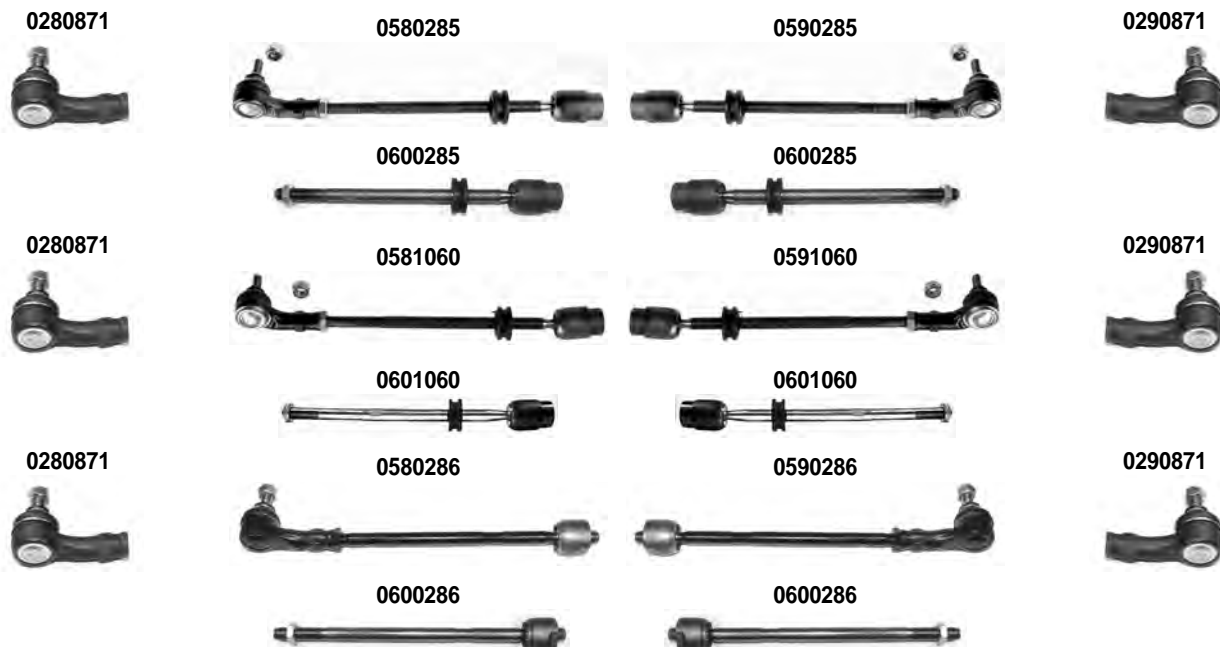
POLO

POLO
POLO6N1
6N210/1994 > 10/1999
10/1999 > 10/2001

Asse Anteriore



Front Axle



i	1) > CH. 6N-YD000 000	2) STERZO MANUALE - MANUAL STEERING 4) SERVOSTERZO - POWER STEERING
	3) CH. 6N-YD000 001 >	
	5) ECCETTO - EXCEPT : MOD. 1.4/1.6 16V - 1.4 TDI	

OCAP	O.E.		i	
0280871	6N0422812	TESTA STERZO TIE ROD END		RHT M 14x1,5
0290871	6N0422811	TESTA STERZO TIE ROD END		RHT M 14x1,5
0580285	6N0419804	BARRA STERZO TIE ROD	1) 2)	
0580286	6N0422804	BARRA STERZO TIE ROD	1) 4) 5)	
0581060	6X0419804A	BARRA STERZO TIE ROD	2) 3)	
0590285	6N0419803	BARRA STERZO TIE ROD	1) 2)	
0590286	6N0422803	BARRA STERZO TIE ROD	1) 4) 5)	
0591060	6X0419803A	BARRA STERZO TIE ROD	2) 3)	
0600285	6N0419804 *	SNODO ASSIALE AXIAL JOINT	1) 2)	
0600286	6N0422804 *	SNODO ASSIALE AXIAL JOINT	1) 4) 5)	
0601060	6X0419804A *	SNODO ASSIALE AXIAL JOINT	2) 3)	

DESTRO
RIGHT



SINISTRO
LEFT

POLO POLO	6N1 6N2	10/1994 > 10/1999 10/1999 > 10/2001
--------------	------------	--

Asse Anteriore



Front Axle



i 2) STERZO MANUALE - MANUAL STEERING 4) SERVOSTERZO - POWER STEERING 6) SOLO PER - ONLY FOR : MOD. 1.4/1.6 16V - 1.4 TDI	3) CH. 6N-YD000 001 > 5) ECCETTO - EXCEPT : MOD. 1.4/1.6 16V - 1.4 TDI
--	---

OCAP	O.E.		i	
0281059	6X0422812	TESTA STERZO TIE ROD END	3) 4) 5)	
0281897	6K0422812	TESTA STERZO TIE ROD END	4) 6)	
0291059	6X0422811	TESTA STERZO TIE ROD END	3) 4) 5)	
0291897	6K0422811	TESTA STERZO TIE ROD END	4) 6)	
0581058	6X0422804	BARRA STERZO TIE ROD	3) 4) 5)	
0583272	6N0422804C	BARRA STERZO TIE ROD	3) 4) 6)	
0591058	6X0422803	BARRA STERZO TIE ROD	3) 4) 5)	
0593272	6N0422803C	BARRA STERZO TIE ROD	3) 4) 6)	
0601058	6X0422804 *	SNODO ASSIALE AXIAL JOINT	3) 4) 5)	
0603272	6N0422804C *	SNODO ASSIALE AXIAL JOINT	3) 4) 6)	
0901612	-	KIT CUFFIE STERZO STEERING GAITER KIT	4)	
0901624	-	KIT CUFFIE STERZO STEERING GAITER KIT	2)	
1211132	6N0419831	CUFFIA STERZO STEERING GAITER	2)	
1211180	6N0422831	CUFFIA STERZO STEERING GAITER	4)	

DESTRO
RIGHTSINISTRO
LEFT

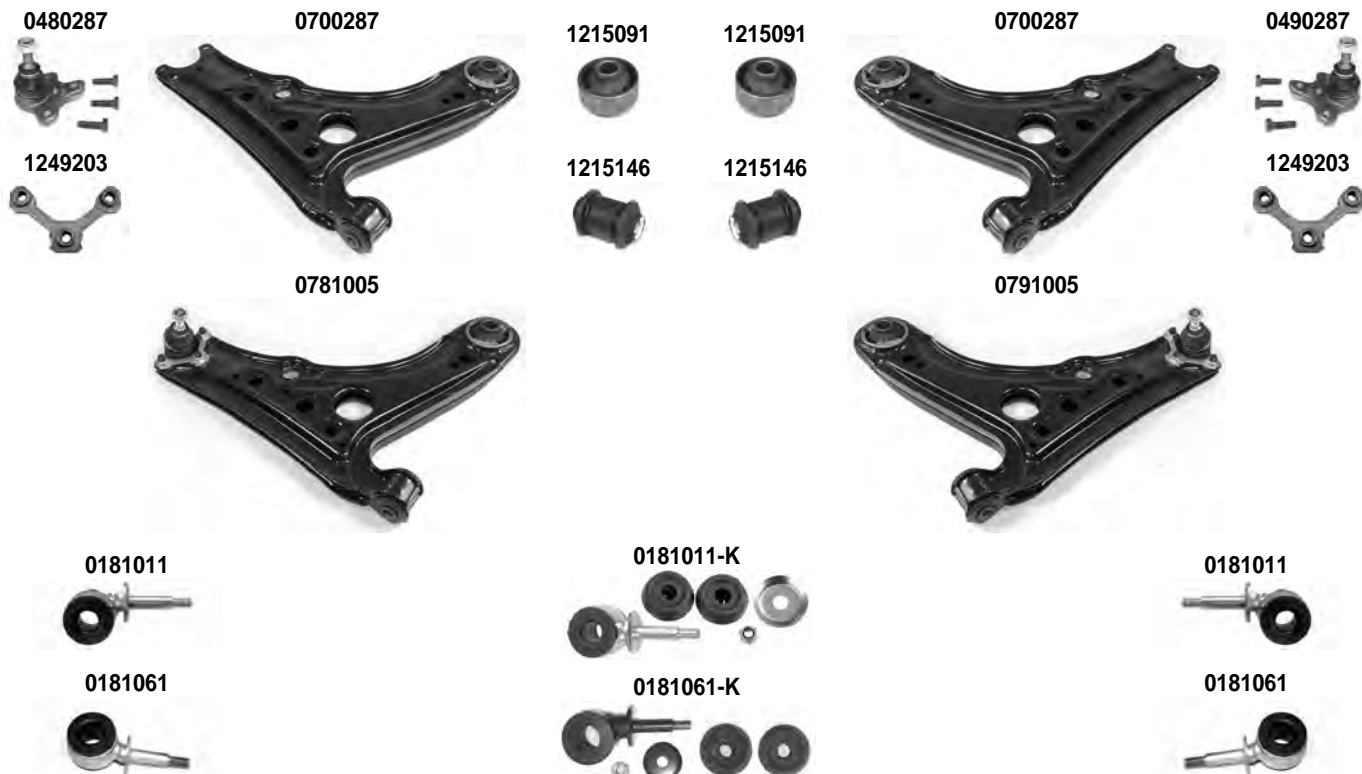
POLO

POLO
POLO6N1
6N210/1994 > 10/1999
10/1999 > 10/2001

Asse Anteriore



Front Axle

**i** 7) > 05/1999 - > C.H. 6N-Y-500 000

OCAP	O.E.		i	
0181011	6N0411315C	PUNTOLE BARRA STABILIZZATRICE STABILIZER LINK		DIAM. 18 mm.
0181061	6N0411315D	PUNTOLE BARRA STABILIZZATRICE STABILIZER LINK		DIAM. 20/22 mm.
0480287	6N0407365A	SNODO SOSPENSIONE - INFERIORE SUSPENSION JOINT - LOWER		
0490287	6N0407365	SNODO SOSPENSIONE - INFERIORE SUSPENSION JOINT - LOWER		
0700287	6N0407151B	BRACCIO OSCILLANTE - INFERIORE - CON SILENTBLOCK TRACK CONTROL ARM - LOWER - WITH BUSHING	7)	
0781005	-	BRACCIO OSCILLANTE - COMPLETO COMPLETE TRACK CONTROL ARM	7)	
0791005	-	BRACCIO OSCILLANTE - COMPLETO COMPLETE TRACK CONTROL ARM	7)	
1215091	6N0407181	SILENTBLOCK ESTREMO OUTER BUSHING		
1215146	6N0407182	SILENTBLOCK CENTRALE CENTRAL BUSHING		
1249203	6N0407175A	STAFFA STIRRUP		
0181011-K	6N0411315 *	KIT PUNTOLE BARRA STABILIZZATRICE STABILIZER LINK KIT		DIAM. 18 mm.
0181061-K	6N0411315A *	KIT PUNTOLE BARRA STABILIZZATRICE STABILIZER LINK KIT		DIAM. 20/22 mm.

DESTRO
RIGHT



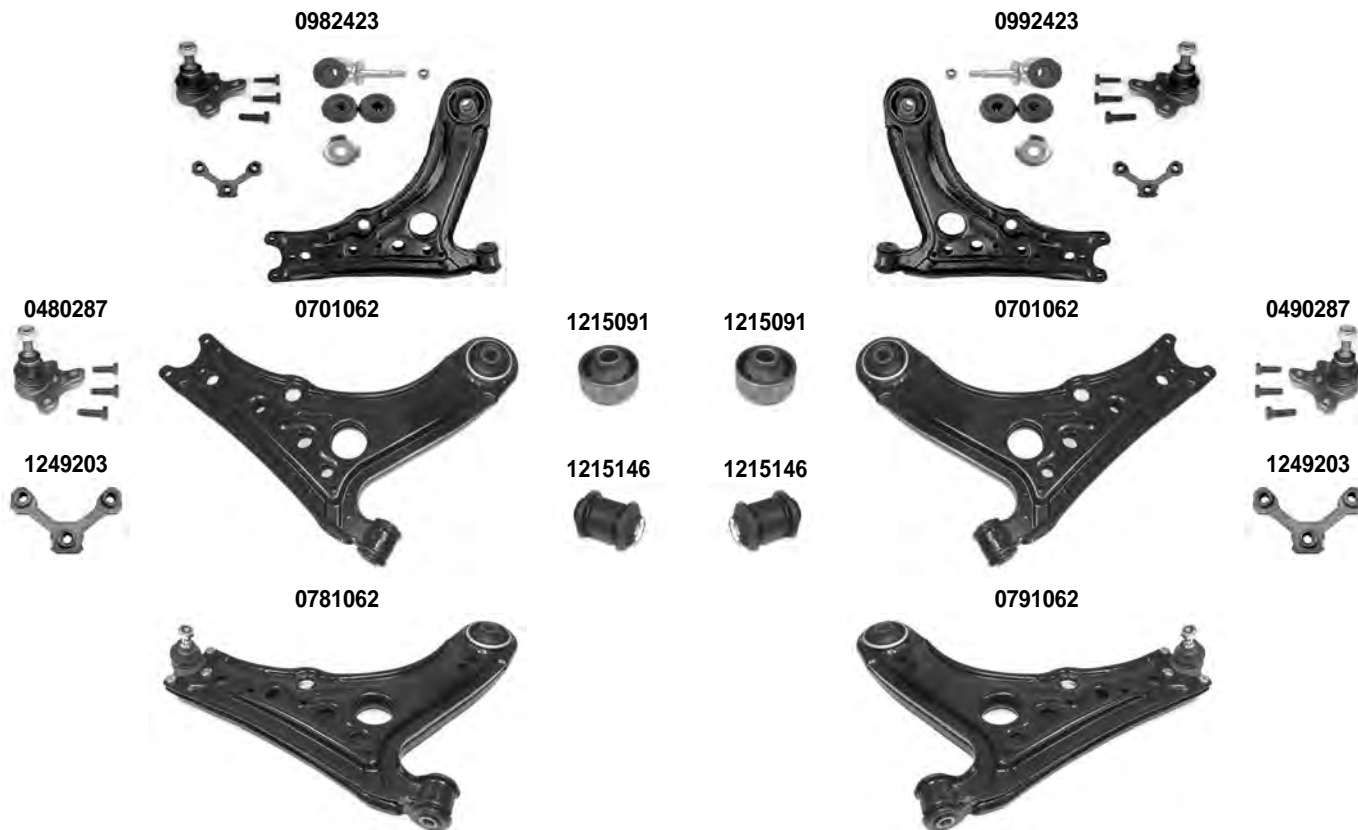
SINISTRO
LEFT

POLO POLO	6N1 6N2	10/1994 > 10/1999 10/1999 > 10/2001
--------------	------------	--

Asse Anteriore



Front Axle



i 7) > 05/1999 - > C.H. 6N-Y-500 000	8) 05/1999 > - C.H. 6N-Y-500 001 >
---	------------------------------------

OCAP	O.E.		
0480287	6N0407365A	SNODO SOSPENSIONE - INFERIORE SUSPENSION JOINT - LOWER	
0490287	6N0407365	SNODO SOSPENSIONE - INFERIORE SUSPENSION JOINT - LOWER	
0701062	6N0407151A	BRACCIO OSCILLANTE - INFERIORE TRACK CONTROL ARM - LOWER	8)
0781062	-	BRACCIO OSCILLANTE - INFERIORE - COMPLETO TRACK CONTROL ARM - LOWER - WITH BALL JOINT	8)
0791062	-	BRACCIO OSCILLANTE - INFERIORE - COMPLETO TRACK CONTROL ARM - LOWER - WITH BALL JOINT	8)
0982423	6N0407365A *	KIT RIPARAZIONE BRACCIO REPAIRING KIT CONTROL ARM	7)
0992423	6N0407365 *	KIT RIPARAZIONE BRACCIO REPAIRING KIT CONTROL ARM	7)
1215091	6N0407181	SILENTBLOCK ESTREMO OUTER BUSHING	
1215146	6N0407182	SILENTBLOCK CENTRALE CENTRAL BUSHING	
1249203	6N0407175A	STAFFA STIRRUP	

DESTRO
RIGHT



SINISTRO
LEFT

POLO CLASSIC
POLO VARIANT

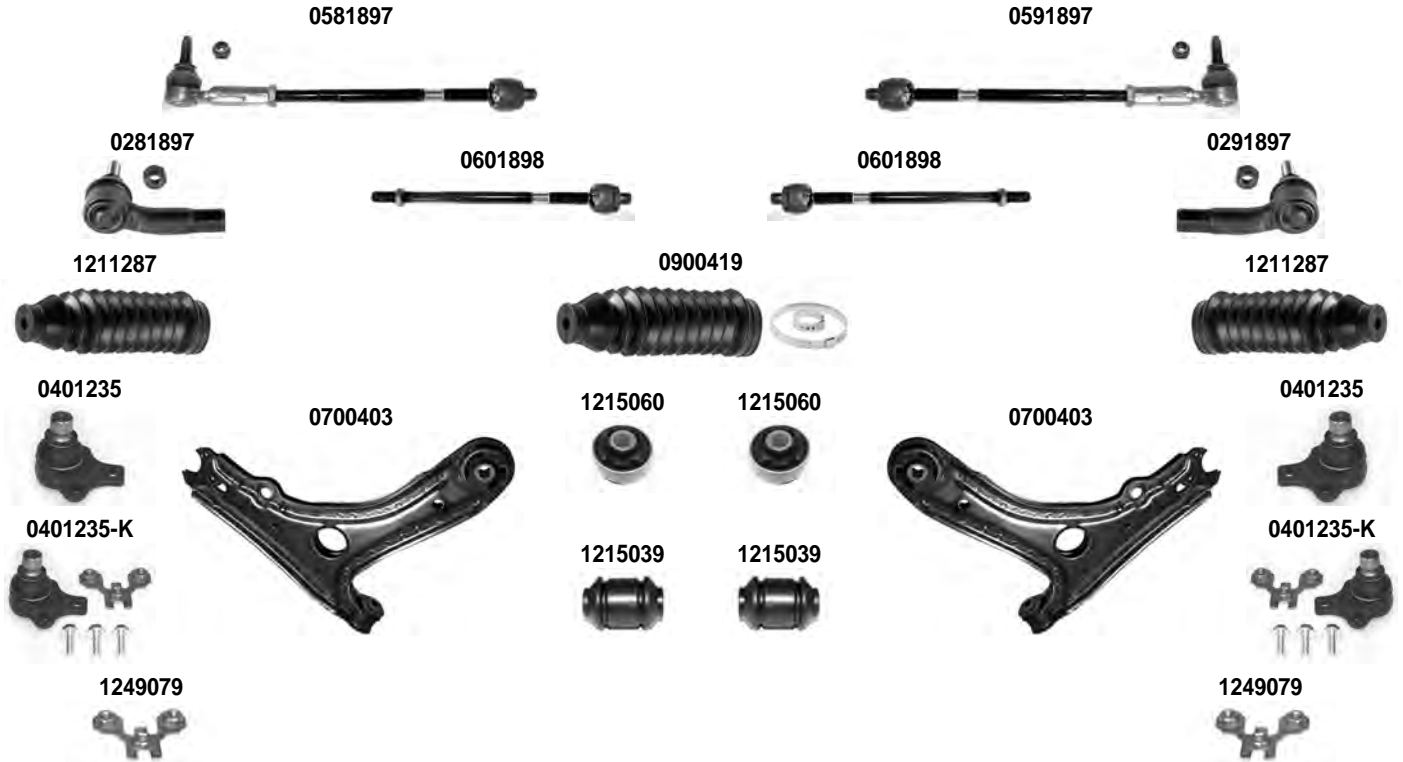
6KV2
6KV5

11/1995 > 09/2001
04/1997 > 09/2001

Asse Anteriore



Front Axle



OCAP	O.E.		i	
0281897	6K0422812	TESTA STERZO TIE ROD END		
0291897	6K0422811	TESTA STERZO TIE ROD END		
0401235	357407365	SNODO SOSPENSIONE - INFERIORE SUSPENSION JOINT - LOWER		DIAM. 19 mm.
0581897	6K0422804E	BARRA STERZO TIE ROD		
0591897	6K0422803E	BARRA STERZO TIE ROD		
0601898	6K0422804E *	SNODO ASSIALE AXIAL JOINT		
0700403	191407151B	BRACCIO OSCILLANTE - INFERIORE - CON SILENTBLOCK TRACK CONTROL ARM - LOWER - WITH BUSHING		
0900419	-	KIT CUFFIE STERZO STEERING GAITER KIT		
1211287	1H0422831B	CUFFIA STERZO STEERING GAITER		
1215039	357407182	SILENTBLOCK BUSHING		
1215060	191407181E	SILENTBLOCK BUSHING		
1249079	191407175	STAFFA LOOK PLATE		
0401235-K	-	SNODO SOSPENSIONE CON KIT - INFERIORE BALL JOINT - WITH KIT - LOWER		DIAM. 19 mm.

DESTRO
RIGHT



SINISTRO
LEFT

POLO CLASSIC
POLO VARIANT

6KV2
6KV5

11/1995 > 09/2001
04/1997 > 09/2001

Asse Anteriore



Front Axle

0701237



0701237



0181897-K



0181897-K

0181898



0181898-K

0181898



1214112



i 1) CH. > 6K-V-047 500 2) CH. 6K-V-047 501 >

OCAP	O.E.		i	
0181898	6K0411315	PUNTONE STABILIZER LINK	2)	
0701237	191407153A *	BRACCIO OSCILLANTE - COMPLETO COMPLETE TRACK CONTROL ARM		
1214112	1H0411314	SILENTBLOCK BARRA STABILIZZATRICE STABILIZING BAR BUSHING		DIAM. 19 mm.
0181897-K	191411315A *	KIT PUNTONE STABILIZER LINK KIT	1)	
0181898-K	6K0411315 *	KIT PUNTONE STABILIZER LINK KIT	2)	

DESTRO
RIGHT

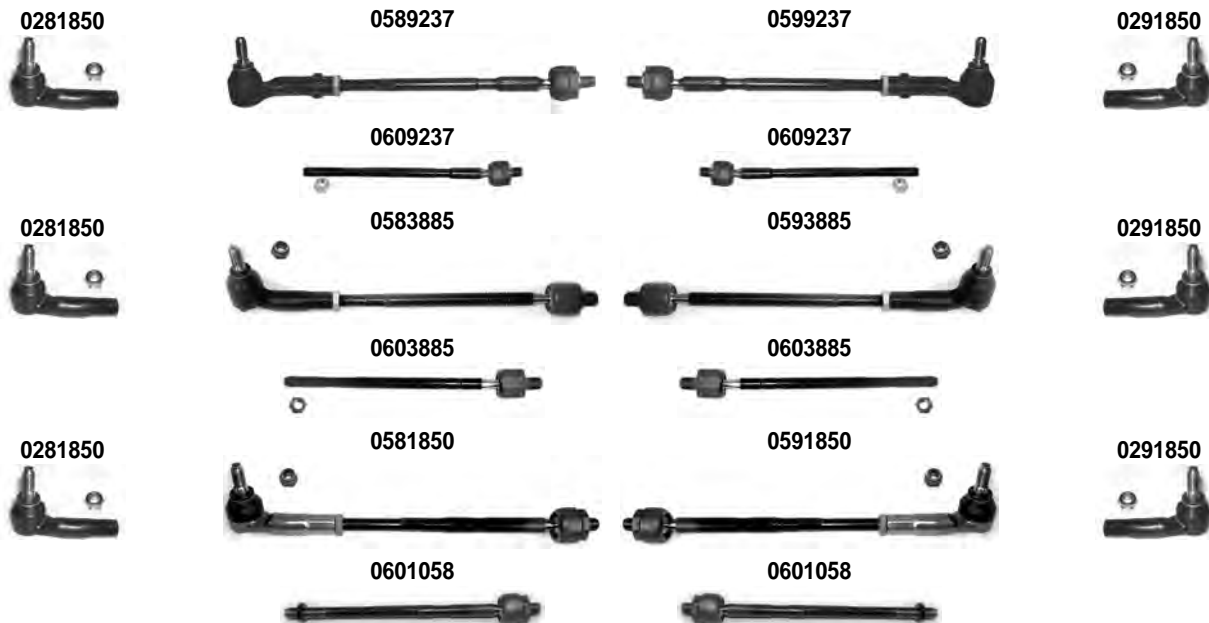
 SINISTRO
LEFT

POLO	9N	10/2001 >
------	----	-----------

Asse Anteriore



Front Axle



i	1) 06/2002 >	2) STERZO MANUALE - MANUAL STEERING
	3) SCATOLA STERZO - STEERING BOX - SMI-KOYO	4) > CH. 9N-3-900 000
	5) SERVOSTERZO - POWER STEERING	

OCAP	O.E.		i	
0281850	6R0423812	TESTA STERZO TIE ROD END		
0291850	6R0423811	TESTA STERZO TIE ROD END		
0581850	6Q0423804B	BARRA STERZO TIE ROD	4) 5)	
0583885	6Q0423804G	BARRA STERZO TIE ROD	3)	
0589237	6Q0419804F	BARRA STERZO TIE ROD	1) 2)	
0591850	6Q0423803B	BARRA STERZO TIE ROD	4) 5)	
0593885	6Q0423803G	BARRA STERZO TIE ROD	3)	
0599237	6Q0419803F	BARRA STERZO TIE ROD	1) 2)	
0601058	6X0422804 *	SNODO ASSIALE AXIAL JOINT	4)	
0603885	6Q0423804G *	SNODO ASSIALE AXIAL JOINT	3)	
0609237	6Q0419804F *	SNODO ASSIALE AXIAL JOINT	1) 2)	

DESTRO
RIGHT



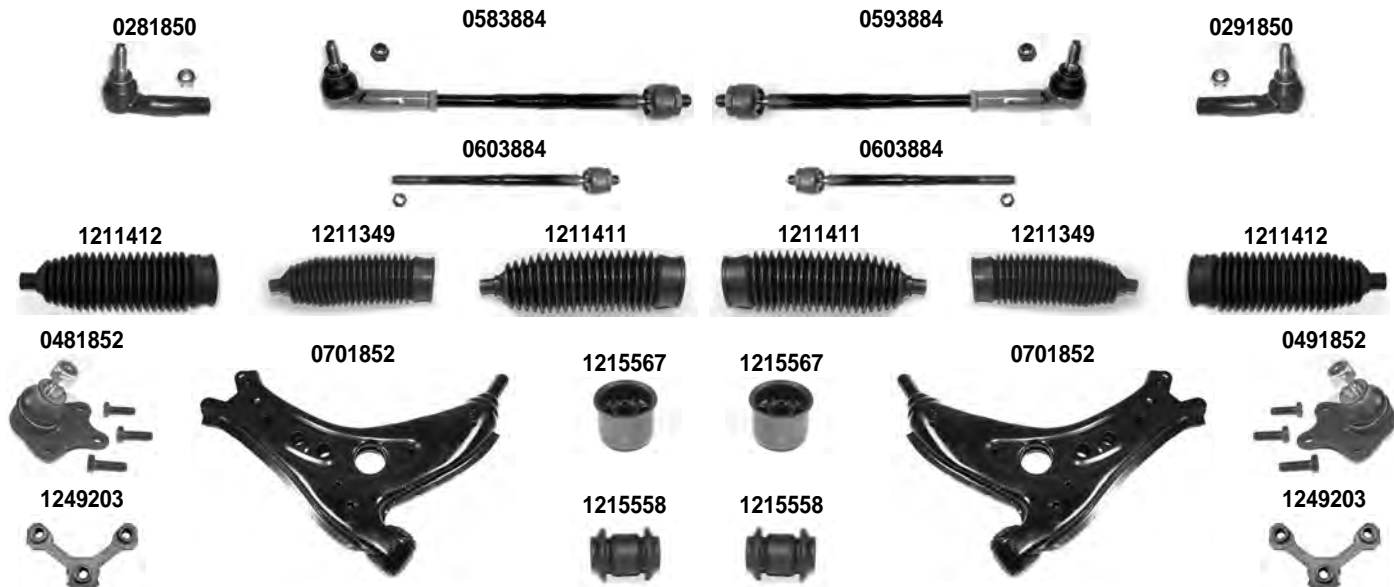
SINISTRO
LEFT

POLO	9N	10/2001 >
------	----	-----------

Asse Anteriore



Front Axle



i 3) SCATOLA STERZO - STEERING BOX - SMI-KOYO 6) CH. 9N-3-900 001 > 8) CH. > 6L-3-162 980	5) SERVOSTERZO - POWER STEERING 7) SCATOLA STERZO - STEERING BOX - TRW 9) > CH. 9N-9-050 000
--	--

OCAP	O.E.		i	
0281850	6R0423812	TESTA STERZO TIE ROD END		
0291850	6R0423811	TESTA STERZO TIE ROD END		
0481852	6Q0407366A	SNODO SOSPENSIONE - CON KIT VITI BALL JOINT - WITH BOLT KIT	9)	
0491852	6Q0407365A	SNODO SOSPENSIONE - CON KIT VITI BALL JOINT - WITH BOLT KIT	9)	
0583884	6Q0423804E	BARRA STERZO TIE ROD	5) 6) 7)	
0593884	6Q0423803E	BARRA STERZO TIE ROD	5) 6) 7)	
0603884	6Q0423804E *	SNODO ASSIALE AXIAL JOINT	5) 6) 7)	
0701852	6Q0407151L	BRACCIO OSCILLANTE TRACK CONTROL ARM	9)	
1211349	6E0419831	CUFFIA STERZO STEERING GAITER	5) 7) 8)	
1211411	6Q0423831D	CUFFIA STERZO STEERING GAITER	5) 6) 7)	
1211412	6Q0419831A	CUFFIA STERZO STEERING GAITER	3) 5)	
1215558	6Q0407182A	SILENTBLOCK CENTRALE CENTRAL BUSHING	9)	
1215567	1K0407183E	SILENTBLOCK ESTREMO OUTER BUSHING	9)	
1249203	6N0407175A	STAFFA STIRRUP		

DESTRO
RIGHT

 SINISTRO
LEFT

POLO

9N

10/2001 >

Asse Anteriore



Front Axle



i 9) > CH. 9N-9-050 000 11) CH. 5J-8A-502 657/5J-8B-503 032/5J-8K-450 961/5J-83-172 974 >	10) CH. 9N-9Y 035 001/9N-9B 031 001/9N-9U 022 151 >
---	---

OCAP	O.E.		i	
0485341	6R0407366	SNODO SOSPENSIONE - CON KIT VITI BALL JOINT - WITH BOLT KIT	10)	
0495341	6R0407365	SNODO SOSPENSIONE - CON KIT VITI BALL JOINT - WITH BOLT KIT	10)	
0781852	-	BRACCIO OSCILLANTE - COMPLETO COMPLETE TRACK CONTROL ARM	9)	
0783272	6R0407152	BRACCIO OSCILLANTE TRACK CONTROL ARM	11)	
0791852	-	BRACCIO OSCILLANTE - COMPLETO COMPLETE TRACK CONTROL ARM	9)	
0793272	6R0407151	BRACCIO OSCILLANTE TRACK CONTROL ARM	11)	
1215039	357407182	SILENTBLOCK CENTRALE CENTRAL BUSHING	10)	
1215198	1J0407181	SILENTBLOCK ESTREMO OUTER BUSHING	10)	
1249650	6Q0199294D	SUPPORTO BRACCIO CONTROL ARM SUPPORT		
1249651	6Q0199293D	SUPPORTO BRACCIO CONTROL ARM SUPPORT		

DESTRO
RIGHT



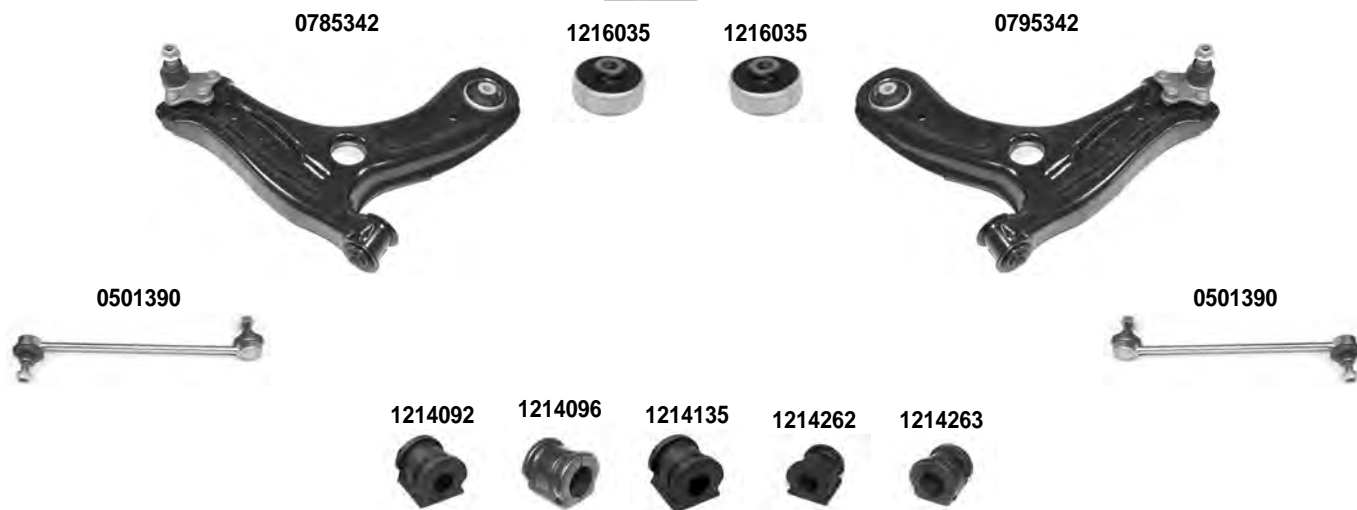
SINISTRO
LEFT

POLO	9N	10/2001 >
------	----	-----------

Asse Anteriore



Front Axle



Asse Posteriore



Rear Axle



i 10) CH. 9N-9Y 035 001/9N-9B 031 001/9N-9U 022 151 > 13) VERSIONE RINFORZATA - REINFORCED	12) PER BARRE - FOR BAR : DIAM. 19 - 20 mm.
--	---

OCAP	O.E.		i	
0501390	6Q0411315G	STABILIZZATORE STABILIZER ROD	12)	
0785342	6R0407152 *	BRACCIO OSCILLANTE - COMPLETO COMPLETE TRACK CONTROL ARM	10)	
0795342	6R0407151 *	BRACCIO OSCILLANTE - COMPLETO COMPLETE TRACK CONTROL ARM	10)	
0903137	6R0501541A *	KIT SILENTBLOCK BUSHING KIT		DIAM. 72 mm.
0905577	1J0501541D *	KIT SILENTBLOCK BUSHING KIT		DIAM. 69 mm.
1214092	6Q0411314L	SILENTBLOCK BARRA STABILIZZATRICE STABILIZING BAR BUSHING		DIAM. 16 mm.
1214096	8Z0411314B	SILENTBLOCK BARRA STABILIZZATRICE STABILIZING BAR BUSHING		DIAM. 20,8 mm.
1214135	6Q0411314Q	SILENTBLOCK BARRA STABILIZZATRICE STABILIZING BAR BUSHING		DIAM. 17 mm.
1214262	6Q0411314R	SILENTBLOCK BARRA STABILIZZATRICE STABILIZING BAR BUSHING		DIAM. 18 mm.
1214263	6Q0411314F	SILENTBLOCK BARRA STABILIZZATRICE STABILIZING BAR BUSHING		DIAM. 19,8 mm.
1215200	6R0501541A	SILENTBLOCK BUSHING		DIAM. 72 mm.
1216035	8N0407181B	SILENTBLOCK ESTREMO OUTER BUSHING	13)	
1216151	1J0501541D	SILENTBLOCK BUSHING		DIAM. 69 mm.

DESTRO
RIGHTSINISTRO
LEFT

POLO

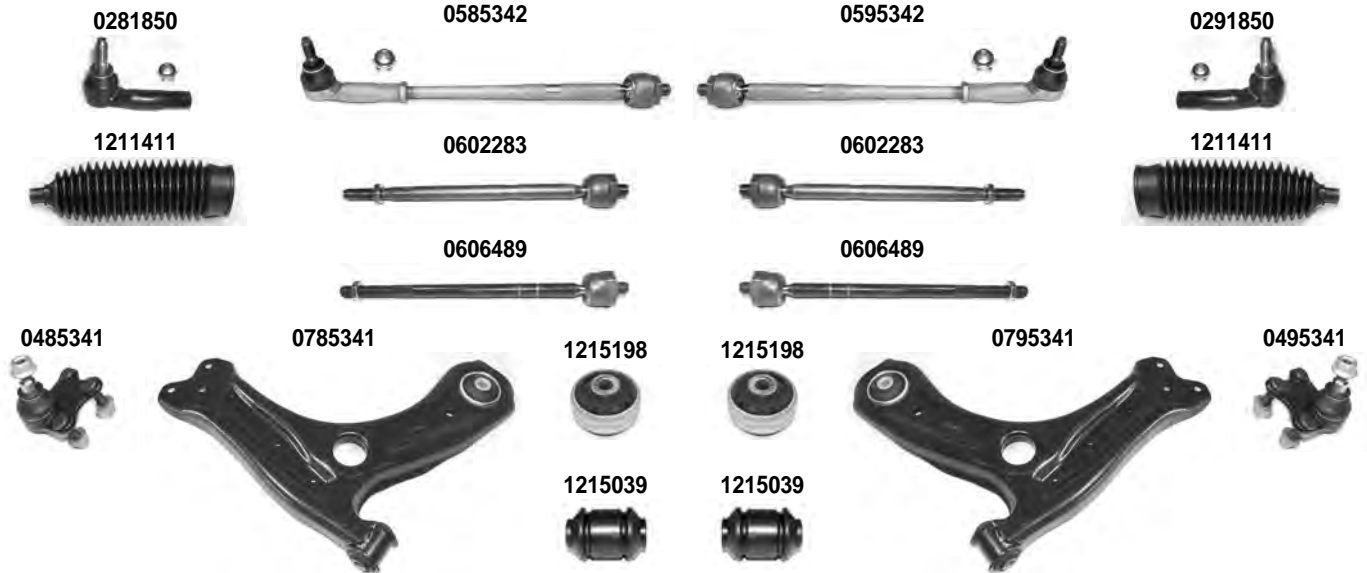
6R

06/2009 >

Asse Anteriore



Front Axle


i 1) SERVOSTERZO ELETTRICO-IDRAULICO - ELECTROHYDRAULIC STEERING

OCAP	O.E.		i	
0281850	6R0423812	TESTA STERZO TIE ROD END		RHT M14x1,5
0291850	6R0423811	TESTA STERZO TIE ROD END		RHT M14x1,5
0485341	6R0407366	SNODO SOSPENSIONE - INFERIORE BALL JOINT - LOWER		
0495341	6R0407365	SNODO SOSPENSIONE - INFERIORE BALL JOINT - LOWER		
0585342	6R0423804A	BARRA STERZO TIE ROD	1)	
0595342	6R0423803A	BARRA STERZO TIE ROD	1)	
0602283	6R0423804A *	SNODO ASSIALE AXIAL JOINT	1)	RHT M14x1,5
0606489	6C0423810C	SNODO ASSIALE AXIAL JOINT		RHT M14x1,5
0785341	6R0407152F	BRACCIO OSCILLANTE - INFERIORE TRACK CONTROL ARM - LOWER		
0795341	6R0407151F	BRACCIO OSCILLANTE - INFERIORE TRACK CONTROL ARM - LOWER		
1211411	6Q0423831D	CUFFIA STERZO STEERING GAITER	1)	
1215039	357407182	SILENTBLOCK CENTRALE CENTRAL BUSHING		
1215198	1J0407181	SILENTBLOCK - ESTREMO OUTER BUSHING		

DESTRO
RIGHT



SINISTRO
LEFT

POLO	6R	06/2009 >
------	----	-----------

Asse Anteriore



Front Axle



Asse Posteriore



Rear Axle



i 2) VERSIONE RINFORZATA - REINFORCED

OCAP	O.E.		i	
0501390	6Q0411315G	STABILIZZATORE STABILIZER LINK		
0786489	6R0407152F *	BRACCIO OSCILLANTE - INFERIORE - COMPLETO COMPLETE TRACK CONTROL ARM - LOWER		
0796489	6R0407151F *	BRACCIO OSCILLANTE - INFERIORE - COMPLETO COMPLETE TRACK CONTROL ARM - LOWER		
0903137	6R0501541A *	KIT SILENTBLOCK BUSHING KIT		DIAM. 72 mm.
1214092	6Q0411314L	SILENTBLOCK BARRA STABILIZZATRICE STABILIZING BAR BUSHING		DIAM. 16 mm.
1214135	6Q0411314Q	SILENTBLOCK BARRA STABILIZZATRICE STABILIZING BAR BUSHING		DIAM. 17 mm.
1214262	6Q0411314R	SILENTBLOCK BARRA STABILIZZATRICE STABILIZING BAR BUSHING		DIAM. 18 mm.
1215200	6R0501541A	SILENTBLOCK BUSHING		DIAM. 72 mm.
1216035	8N0407181B	SILENTBLOCK - ESTREMO OUTER BUSHING	2)	

DESTRO
RIGHT

 SINISTRO
LEFT

POLO

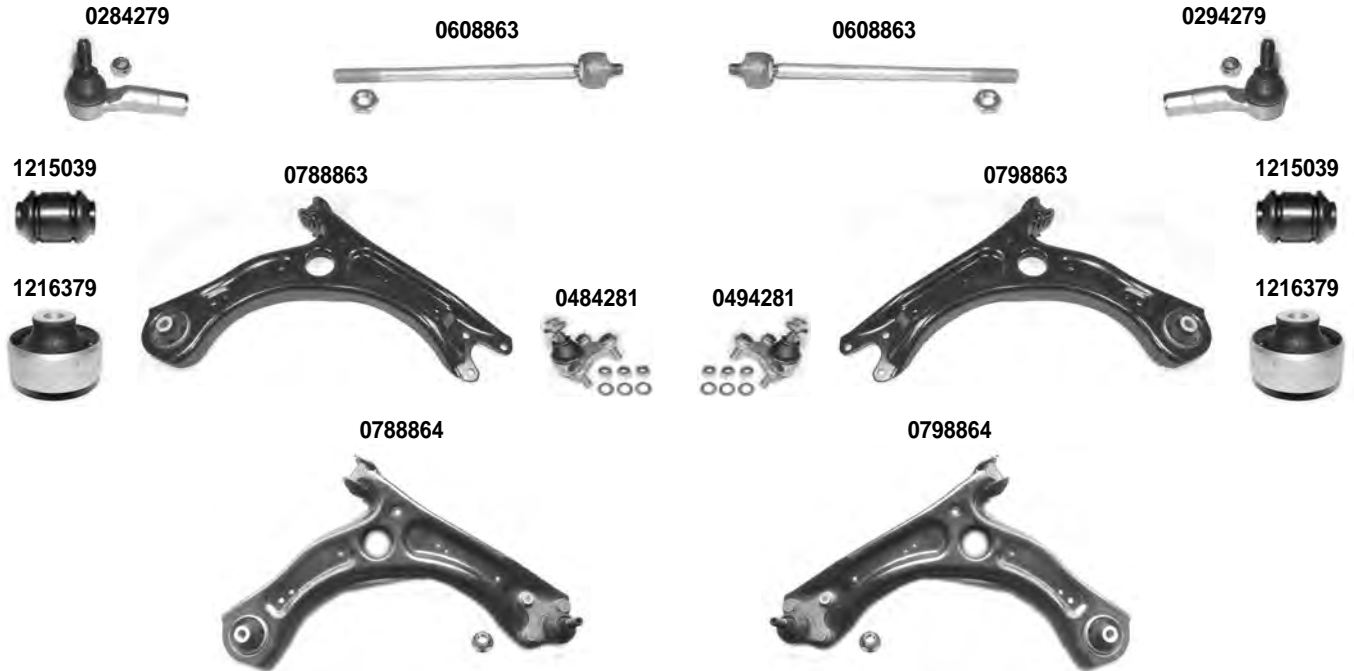
AW1-BZ1

06/2017 >

Asse Anteriore



Front Axle


i 1) SOLO PER - ONLY FOR: MOD. 1.0TSI/TGI

OCAP	O.E.		i	
0284279	1K0423812E	TESTA STERZO TIE ROD END		RHT M16x1,5
0294279	1K0423811E	TESTA STERZO TIE ROD END		RHT M16x1,5
0484281	5Q0407366A	SNODO SOSPENSIONE BALL JOINT		
0494281	5Q0407365A	SNODO SOSPENSIONE BALL JOINT		
0608863	2Q0423810D	SNODO ASSIALE AXIAL JOINT		RHT M16x1,5
0788863	2Q0407152B	BRACCIO OSCILLANTE - INFERIORE TRACK CONTROL ARM - LOWER	1)	
0788864	2Q0407152B *	BRACCIO OSCILLANTE COMPLETO COMPLETE TRACK CONTROL ARM	1)	
0798863	2Q0407151B	BRACCIO OSCILLANTE - INFERIORE TRACK CONTROL ARM - LOWER	1)	
0798864	2Q0407151B *	BRACCIO OSCILLANTE COMPLETO COMPLETE TRACK CONTROL ARM	1)	
1215039	357407182	SILENTBLOCK BUSHING		
1216379	2Q0407152B **	SILENTBLOCK BUSHING	1)	

DESTRO
RIGHT



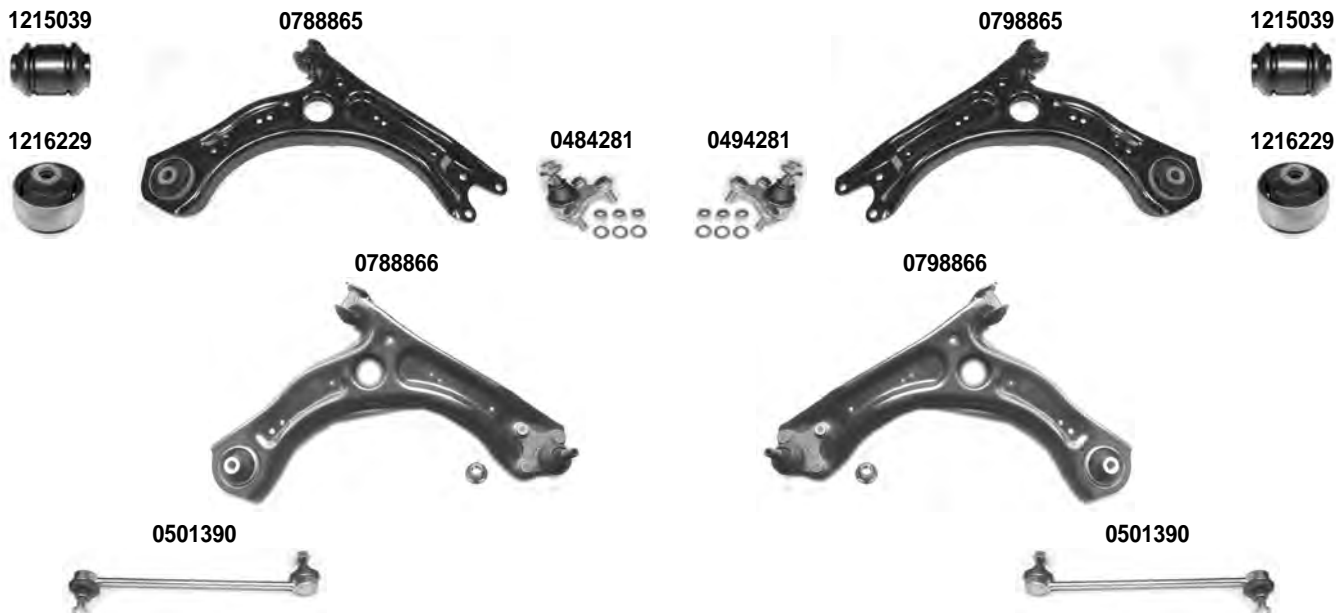
SINISTRO
LEFT

POLO	AW1-BZ1	06/2017 >
------	---------	-----------

Asse Anteriore



Front Axle



i 2) SOLO PER - ONLY FOR: MOD. 1.5TSI-1.6TDI-2.0GTI

OCAP	O.E.		i	
0484281	5Q0407366A	SNODO SOSPENSIONE BALL JOINT		
0494281	5Q0407365A	SNODO SOSPENSIONE BALL JOINT		
0501390	6Q0411315G	STABILIZZATORE STABILIZER LINK		
0788865	2Q0407152C	BRACCIO OSCILLANTE - INFERIORE TRACK CONTROL ARM - LOWER	2)	
0788866	2Q0407152C *	BRACCIO OSCILLANTE COMPLETO COMPLETE TRACK CONTROL ARM	2)	
0798865	2Q0407151C	BRACCIO OSCILLANTE - INFERIORE TRACK CONTROL ARM - LOWER	2)	
0798866	2Q0407151C *	BRACCIO OSCILLANTE COMPLETO COMPLETE TRACK CONTROL ARM	2)	
1215039	357407182	SILENTBLOCK BUSHING		
1216229	5Q0407183E	SILENTBLOCK BUSHING		

DESTRO
RIGHT



SINISTRO
LEFT

SCIROCCO III

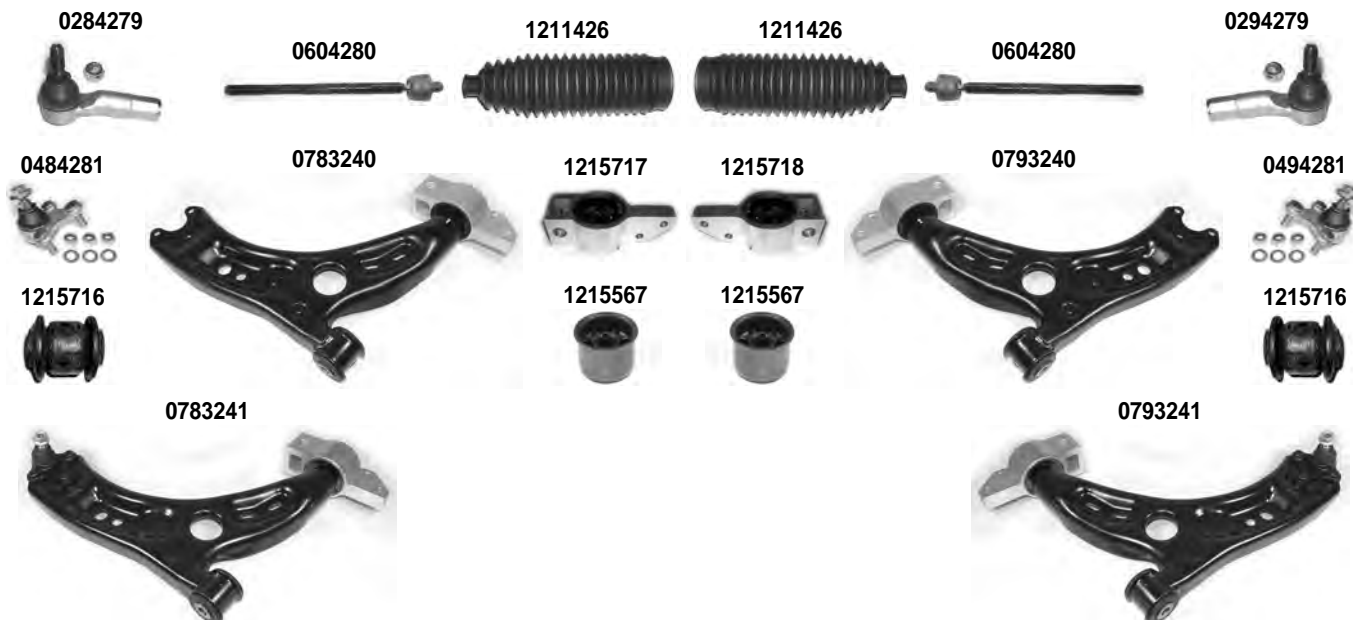
137-138

05/2008 >

Asse Anteriore



Front Axle



i 1) MODELLI SENZA REGOLAZIONE AUTOMATICA FARI - MODELS WITHOUT HEADLAMPS AUTOMATIC ADJUSTMENT

OCAP	O.E.		i	
0284279	1K0423812E	TESTA STERZO TIE ROD END		RHT M16X1,5
0294279	1K0423811E	TESTA STERZO TIE ROD END		RHT M16X1,5
0484281	5Q0407366A	SNODO SOSPENSIONE BALL JOINT		
0494281	5Q0407365A	SNODO SOSPENSIONE BALL JOINT		
0604280	1K0423810A	SNODO ASSIALE AXIAL JOINT		RHT M16X1,5
0783240	1K0407152BC	BRACCIO OSCILLANTE - INFERIORE - LAMIERA TRACK CONTROL ARM - LOWER - SHEET METAL	1)	
0783241	1K0407152BC *	BRACCIO OSCILLANTE - INFERIORE - LAMIERA - COMPLETO TRACK CONTROL ARM - LOWER - SHEET METAL - COMPLETE	1)	
0793240	1K0407151BC	BRACCIO OSCILLANTE - INFERIORE - LAMIERA TRACK CONTROL ARM - LOWER - SHEET METAL	1)	
0793241	1K0407151BC *	BRACCIO OSCILLANTE - INFERIORE - LAMIERA - COMPLETO TRACK CONTROL ARM - LOWER - SHEET METAL - COMPLETE	1)	
1211426	1K0423831A	CUFFIA STERZO STEERING GAITER		
1215567	1K0407183E	SILENTBLOCK BUSHING		
1215716	1K0407182	SILENTBLOCK CENTRALE CENTRAL BUSHING		
1215717	1K0199232J	SILENTBLOCK ESTREMO OUTER BUSHING		
1215718	1K0199231J	SILENTBLOCK ESTREMO OUTER BUSHING		

DESTRO
RIGHT



SINISTRO
LEFT

SCIROCCO III

137-138

05/2008 >

Asse Anteriore

Front Axle



i 2) MODELLI CON REGOLAZIONE AUTOMATICA FARI - MODELS WITH HEADLAMPS AUTOMATIC ADJUSTMENT

OCAP	O.E.		i	
0384376	1K0407152AC	BRACCIO OSCILLANTE - INFERIORE - GHISA TRACK CONTROL ARM - LOWER - CAST IRON	2)	
0384377	1K0407152AC *	BRACCIO OSCILLANTE - INFERIORE - GHISA - COMPLETO TRACK CONTROL ARM - LOWER - CAST IRON - COMPLETE	2)	
0394376	1K0407151AC	BRACCIO OSCILLANTE - INFERIORE - GHISA TRACK CONTROL ARM - LOWER - CAST IRON	2)	
0394377	1K0407151AC *	BRACCIO OSCILLANTE - INFERIORE - GHISA - COMPLETO TRACK CONTROL ARM - LOWER - CAST IRON - COMPLETE	2)	
0484281	5Q0407366A	SNODO SOSPENSIONE BALL JOINT		
0494281	5Q0407365A	SNODO SOSPENSIONE BALL JOINT		
0504283	1K0411315J	STABILIZZATORE STABILIZER LINK		
1214296	1K0411303AM *	SILENTBLOCK BARRA STABILIZZATRICE STABILIZING BAR BUSHING		DIAM. 23 mm.
1215567	1K0407183E	SILENTBLOCK BUSHING		
1215716	1K0407182	SILENTBLOCK CENTRALE CENTRAL BUSHING		
1215717	1K0199232J	SILENTBLOCK ESTREMO OUTER BUSHING		
1215718	1K0199231J	SILENTBLOCK ESTREMO OUTER BUSHING		

DESTRO
RIGHT



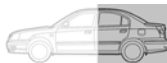
SINISTRO
LEFT

SCIROCCO III

137-138

05/2008 >

Asse Posteriore



Rear Axle



i 3) 06/2009 > - CH. 13-9-010 001 >

OCAP	O.E.		i	
0504378	1K0505465K	STABILIZZATORE STABILIZER LINK		
0703129	1K0501529J	BRACCIO SOSPENSIONE SUSPENSION ARM	3)	
0703133	1K0505323N	BRACCIO SOSPENSIONE SUSPENSION ARM		
0704280	1K0505311AB	BRACCIO SOSPENSIONE SUSPENSION ARM		
0788076	1K0505224K	BRACCIO SOSPENSIONE SUSPENSION ARM		
0798076	1K0505223K	BRACCIO SOSPENSIONE SUSPENSION ARM		
1214130	1K0511327AE	SILENTBLOCK BARRA STABILIZZATRICE STABILIZING BAR BUSHING		DIAM. 18,5 mm.
1214131	1K0511327AR	SILENTBLOCK BARRA STABILIZZATRICE STABILIZING BAR BUSHING		DIAM. 20,7 mm.
1214144	1K0511327AQ	SILENTBLOCK BARRA STABILIZZATRICE STABILIZING BAR BUSHING		DIAM. 17 mm.
1215945	-	SILENTBLOCK - INTERNO BUSHING - INNER		DIAM. 12 mm.
1215946	-	SILENTBLOCK - INTERNO BUSHING - INNER		DIAM. 14 mm.
1215947	1K0505279A	SILENTBLOCK - INTERNO BUSHING - INNER		DIAM. 12 mm.
1215948	1K0505203A	SILENTBLOCK - INTERNO BUSHING - INNER		DIAM. 14 mm.
1216012	1K0505311AB *	SILENTBLOCK BUSHING		
1216070	1K0505541C	SILENTBLOCK BUSHING		
1216232	1K0505553A	SILENTBLOCK BUSHING		

DESTRO
RIGHT



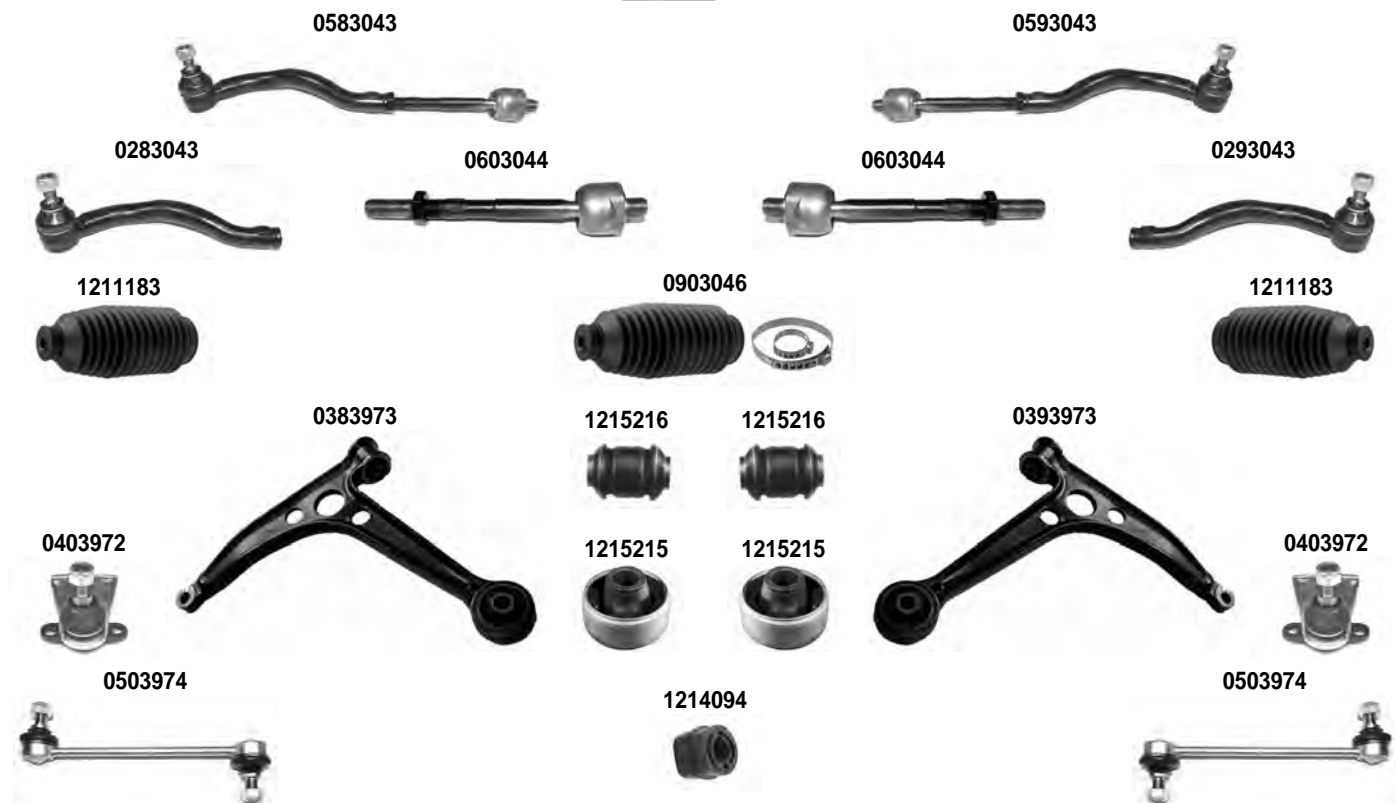
SINISTRO
LEFT

SHARAN	7M8-7M9-7M6	1996 > 03/2010
---------------	-------------	----------------

Asse Anteriore



Front Axle



OCAP	O.E.			
0283043	7M0422818A	TESTA STERZO TIE ROD END		
0293043	7M0422817A	TESTA STERZO TIE ROD END		
0383973	7M0407152B	BRACCIO OSCILLANTE - COMPLETO COMPLETE TRACK CONTROL ARM		
0393973	7M0407151B	BRACCIO OSCILLANTE - COMPLETO COMPLETE TRACK CONTROL ARM		
0403972	7M3407365C	SNODO SOSPENSIONE SUSPENSION JOINT		
0503974	7M0411317D	STABILIZZATORE STABILIZER LINK		
0583043	7M0422804G	BARRA STERZO TIE ROD		
0593043	7M0422803G	BARRA STERZO TIE ROD		
0603044	7M0422804G *	SNODO ASSIALE AXIAL JOINT		
0903046	7M0422831B *	KIT CUFFIE STERZO STEERING GAITER KITS		
1211183	7M0422831B	CUFFIA STERZO STEERING GAITER		
1214094	7M0411031	SILENTBLOCK BARRA STABILIZZATRICE STABILIZING BAR BUSHING		DIAM. 17 mm.
1215215	7M0407181A	SILENTBLOCK ESTREMO OUTER BUSHING		
1215216	7M0501541	SILENTBLOCK CENTRALE CENTRAL BUSHING		

DESTRO
RIGHT



SINISTRO
LEFT

SHARAN

7M8-7M9-7M6

1996 > 03/2010

Asse Posteriore



Rear Axle

1215216






1214099



1215216



OCAP	O.E.			
1214099	7M0511413A	SILENTBLOCK BARRA STABILIZZATRICE <i>STABILIZING BAR BUSHING</i>		DIAM. 20,6 mm.
1215216	7M0501541	SILENTBLOCK <i>BUSHING</i>		

DESTRO
RIGHT



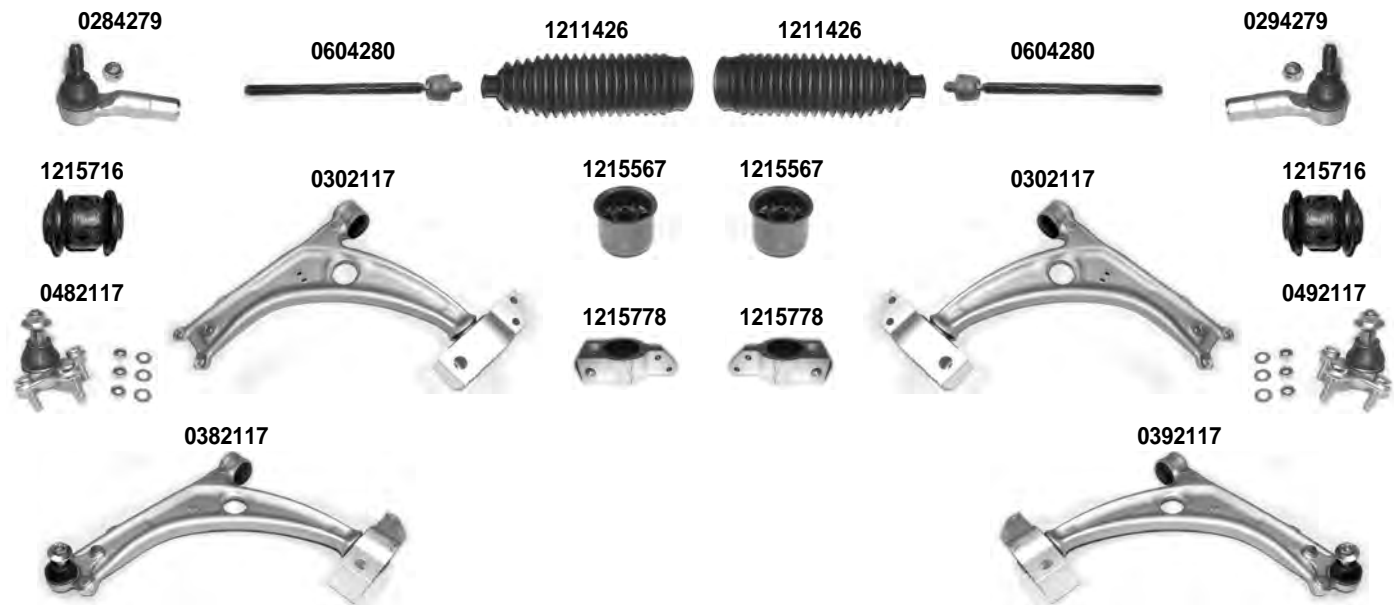
SINISTRO
LEFT

SHARAN	7N	05/2010 >
--------	----	-----------

Asse Anteriore



Front Axle



OCAP	O.E.			
0284279	1K0423812E	TESTA STERZO TIE ROD END		RHT M16x1,5
0294279	1K0423811E	TESTA STERZO TIE ROD END		RHT M16x1,5
0302117	3C0407151A	BRACCIO OSCILLANTE - INFERIORE - ALLUMINIO TRACK CONTROL ARM - LOWER - ALUMINIUM		
0382117	-	BRACCIO OSCILLANTE - INFERIORE - ALLUMINIO - CON SNODO TRACK CONTROL ARM - LOWER - ALUMINIUM - WITH BALL JOINT		
0392117	-	BRACCIO OSCILLANTE - INFERIORE - ALLUMINIO - CON SNODO TRACK CONTROL ARM - LOWER - ALUMINIUM - WITH BALL JOINT		
0482117	3C0407366B	SNODO SOSPENSIONE - INFERIORE BALL JOINT - LOWER		
0492117	3C0407365B	SNODO SOSPENSIONE - INFERIORE BALL JOINT - LOWER		
0604280	1K0423810A	SNODO ASSIALE AXIAL JOINT		RHT M16x1,5
1211426	1K0423831A	CUFFIA STERZO STEERING GAITER		
1215567	1K0407183E	SILENTBLOCK BUSHING		
1215716	1K0407182	SILENTBLOCK CENTRALE CENTRAL BUSHING		
1215778	3C0199231A	SILENTBLOCK ESTREMO - ALLUMINIO OUTER BUSHING - ALUMINIUM		

DESTRO
RIGHTSINISTRO
LEFT

SHARAN

7N

05/2010 >

Asse Posteriore



Rear Axle

1215948



0703133



1215947



1215947



0703133



1215948



1216232



0704280



1216012



1216012



0704280



1216232



0504378





1214144



0504378



OCAP	O.E.		i	
0504378	1K0505465K	STABILIZZATORE STABILIZER LINK		
0703133	1K0505323P	BRACCIO SOSPENSIONE SUSPENSION ARM		
0704280	1K0505311AB	BRACCIO SOSPENSIONE SUSPENSION ARM		
1214144	1K0511327AQ	SILENTBLOCK BARRA STABILIZZATRICE STABILIZING BAR BUSHING		DIAM. 17 mm.
1215947	1K0505279A	SILENTBLOCK BRACCIO SOSPENSIONE - INTERNO CONTROL ARM BUSHING - INNER		DIAM. 12 mm.
1215948	1K0505203A	SILENTBLOCK BRACCIO SOSPENSIONE - ESTERNO CONTROL ARM BUSHING - OUTER		DIAM. 14 mm.
1216012	1K0505311AB *	SILENTBLOCK BUSHING		
1216232	1K0505553A	SILENTBLOCK BUSHING		

DESTRO
RIGHT

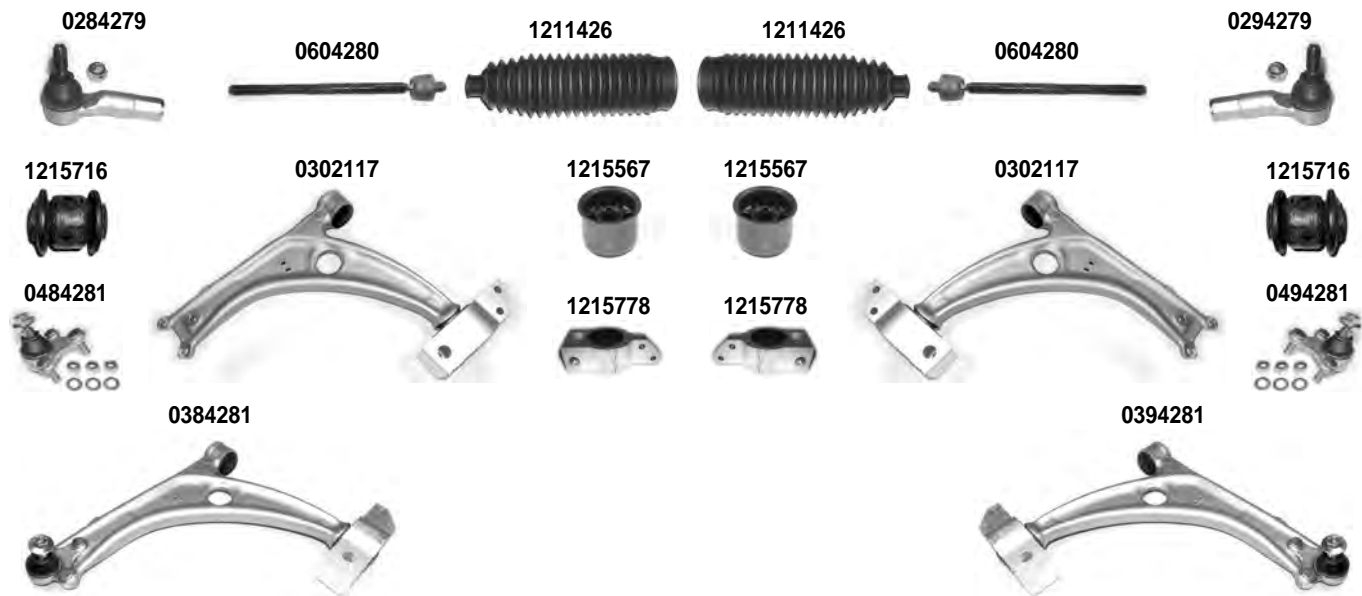


SINISTRO
LEFT

TIGUAN	5N	09/2007 > 2016
--------	----	----------------

Asse Anteriore

Front Axle



i 1) > 10/2009

OCAP	O.E.		i	
0284279	1K0423812E	TESTA STERZO TIE ROD END		RHT M16x1,5
0294279	1K0423811E	TESTA STERZO TIE ROD END		RHT M16x1,5
0302117	3C0407151A	BRACCIO OSCILLANTE - INFERIORE - ALLUMINIO TRACK CONTROL ARM - LOWER - ALUMINIUM		
0384281	3C0407151A *	BRACCIO OSCILLANTE - INFERIORE - ALLUMINIO - CON SNODO TRACK CONTROL ARM - LOWER - ALUMINIUM - WITH BALL JOINT	1)	
0394281	3C0407151A **	BRACCIO OSCILLANTE - INFERIORE - ALLUMINIO - CON SNODO TRACK CONTROL ARM - LOWER - ALUMINIUM - WITH BALL JOINT	1)	
0484281	5Q0407366A	SNODO SOSPENSIONE BALL JOINT		
0494281	5Q0407365A	SNODO SOSPENSIONE BALL JOINT		
0604280	1K0423810A	SNODO ASSIALE AXIAL JOINT		RHT M16x1,5
1211426	1K0423831A	CUFFIA STERZO STEERING GAITER		
1215567	1K0407183E	SILENTBLOCK BUSHING		
1215716	1K0407182	SILENTBLOCK CENTRALE CENTRAL BUSHING		
1215778	3C0199231D	SILENTBLOCK ESTREMO - ALLUMINIO OUTER BUSHING - ALUMINIUM		

DESTRO
RIGHT

 SINISTRO
LEFT

TIGUAN

5N

09/2007 > 2016

Asse Anteriore



Front Axle


i 2) 11/2009 >

OCAP	O.E.		i	
0484281	5Q0407366A	SNODO SOSPENSIONE BALL JOINT		
0494281	5Q0407365A	SNODO SOSPENSIONE BALL JOINT		
0504283	1K0411315J	STABILIZZATORE STABILIZER LINK		
0782117	5N0407152	BRACCIO OSCILLANTE - INFERIORE - LAMIERA TRACK CONTROL ARM - LOWER - SHEET METAL	2)	
0784279	5N0407152 **	BRACCIO OSCILLANTE - INFERIORE - LAMIERA - CON SNODO TRACK CONTROL ARM - LOWER - SHEET METAL - WITH BALL JOINT	2)	
0792117	5N0407151	BRACCIO OSCILLANTE - INFERIORE - LAMIERA TRACK CONTROL ARM - LOWER - SHEET METAL	2)	
0794279	5N0407151 **	BRACCIO OSCILLANTE - INFERIORE - LAMIERA - CON SNODO TRACK CONTROL ARM - LOWER - SHEET METAL - WITH BALL JOINT	2)	
1214296	1K0411303AM *	SILENTBLOCK BARRA STABILIZZATRICE STABILIZING BAR BUSHING		DIAM. 23 mm.
1215567	1K0407183E	SILENTBLOCK BUSHING		
1215716	1K0407182	SILENTBLOCK CENTRALE CENTRAL BUSHING		
1215778	3C0199231D	SILENTBLOCK ESTREMO - ALLUMINIO OUTER BUSHING - ALUMINIUM		

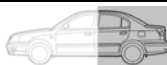
DESTRO
RIGHT



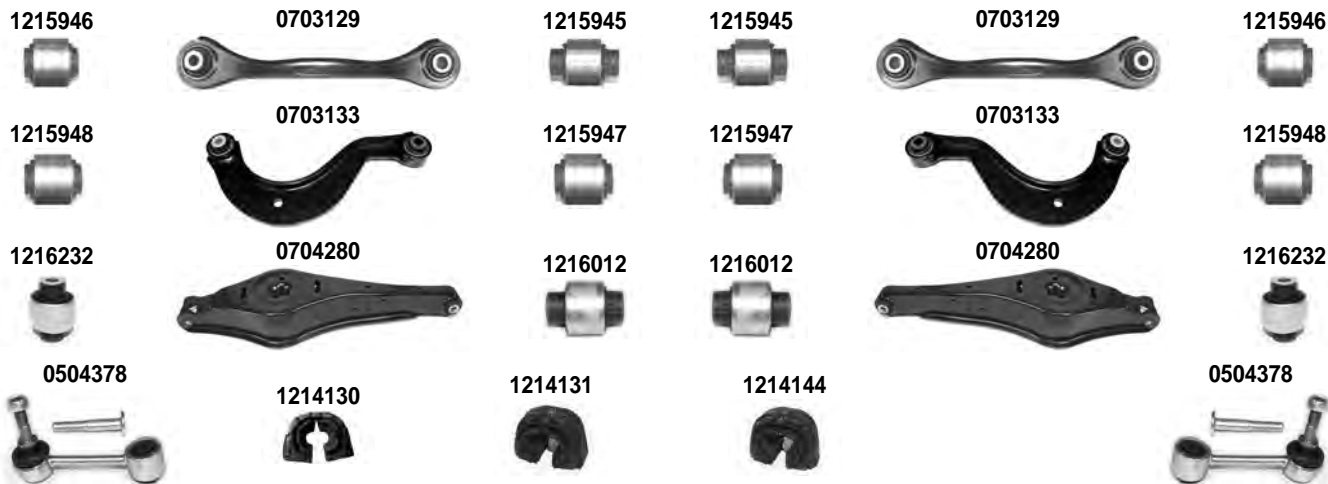
SINISTRO
LEFT

TIGUAN	5N	09/2007 > 2016
--------	----	----------------

Asse Posteriore



Rear Axle



i 3) 06/2009 >

OCAP	O.E.		i	
0504378	1K0505465K	STABILIZZATORE STABILIZER LINK		
0703129	1K0501529J	BRACCIO SOSPENSIONE SUSPENSION ARM	3)	
0703133	1K0505323P	BRACCIO SOSPENSIONE SUSPENSION ARM		
0704280	1K0505311AB	BRACCIO SOSPENSIONE SUSPENSION ARM		
1214130	1K0511327AE	SILENTBLOCK BARRA STABILIZZATRICE STABILIZING BAR BUSHING		DIAM. 18.5 mm.
1214131	1K0511327AR	SILENTBLOCK BARRA STABILIZZATRICE STABILIZING BAR BUSHING		DIAM. 20.7 mm.
1214144	1K0511327AQ	SILENTBLOCK BARRA STABILIZZATRICE STABILIZING BAR BUSHING		DIAM. 17 mm.
1215945	-	SILENTBLOCK BRACCIO SOSPENSIONE - INTERNO CONTROL ARM BUSHING - INNER		DIAM. 12 mm.
1215946	-	SILENTBLOCK BRACCIO SOSPENSIONE - ESTERNO CONTROL ARM BUSHING - OUTER		DIAM. 14 mm.
1215947	1K0505279A	SILENTBLOCK BRACCIO SOSPENSIONE - INTERNO CONTROL ARM BUSHING - INNER		DIAM. 12 mm.
1215948	1K0505203A	SILENTBLOCK BRACCIO SOSPENSIONE - ESTERNO CONTROL ARM BUSHING - OUTER		DIAM. 14 mm.
1216012	1K0505311AB *	SILENTBLOCK BUSHING		
1216232	1K0505553A	SILENTBLOCK BUSHING		

DESTRO
RIGHTSINISTRO
LEFT

TIGUAN

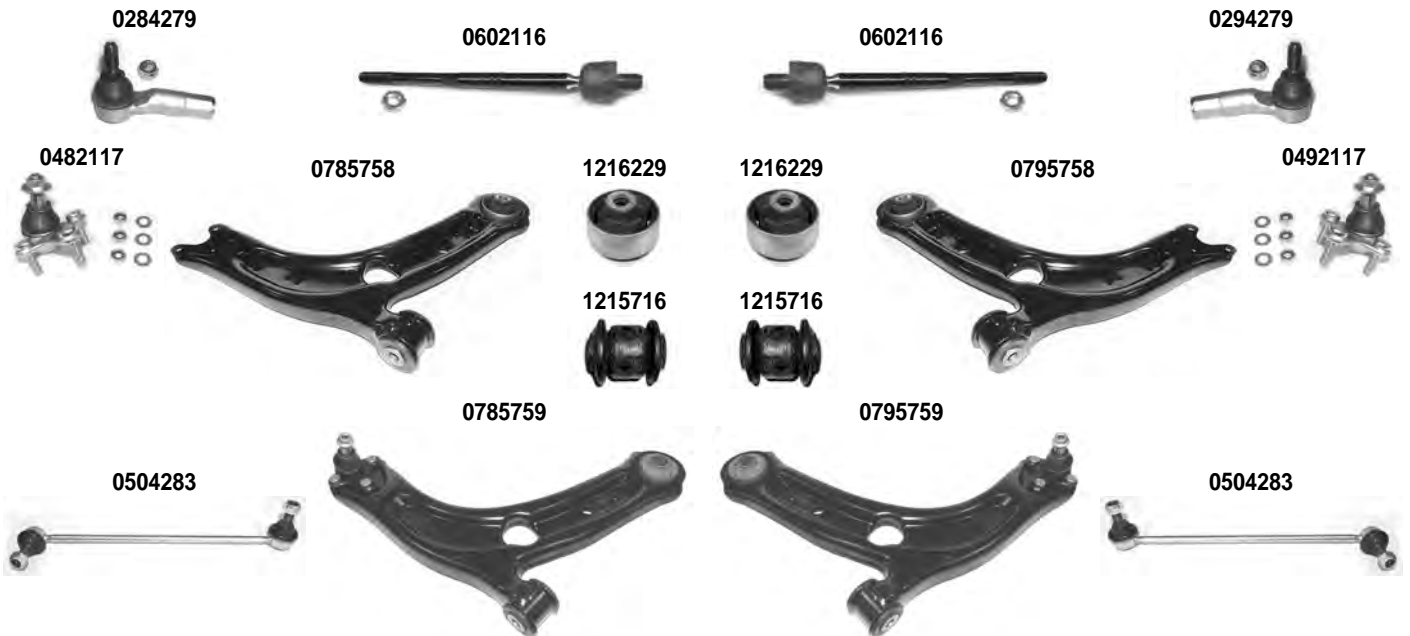
AD1

01/2016 >

Asse Anteriore



Front Axle



OCAP	O.E.			
0284279	1K0423812E	TESTA STERZO TIE ROD END		RHT M16x1,5
0294279	1K0423811E	TESTA STERZO TIE ROD END		RHT M16x1,5
0482117	3C0407366B	SNODO SOSPENSIONE - INFERIORE BALL JOINT - LOWER		
0492117	3C0407365B	SNODO SOSPENSIONE - INFERIORE BALL JOINT - LOWER		
0504283	1K0411315D	STABILIZZATORE STABILIZER LINK		
0602116	561423810	SNODO ASSIALE AXIAL JOINT		RHT M16x1,5
0785758	3Q0407152E	BRACCIO OSCILLANTE - INFERIORE TRACK CONTROL ARM - LOWER		
0785759	3Q0407152E *	BRACCIO OSCILLANTE - INFERIORE - COMPLETO TRACK CONTROL ARM - LOWER - COMPLETE		
0795758	3Q0407151E	BRACCIO OSCILLANTE - INFERIORE TRACK CONTROL ARM - LOWER		
0795759	3Q0407151E *	BRACCIO OSCILLANTE - INFERIORE - COMPLETO TRACK CONTROL ARM - LOWER - COMPLETE		
1215716	1K0407182	SILENTBLOCK CENTRALE CENTRAL BUSHING		
1216229	5Q0407183E	SILENTBLOCK ESTREMO OUTER BUSHING		

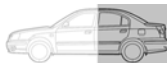
DESTRO
RIGHT



SINISTRO
LEFT

TIGUAN	AD1	01/2016 >
--------	-----	-----------

Asse Posteriore



Rear Axle



OCAP	O.E.			
0505748	5Q0505465C	STABILIZZATORE STABILIZER LINK		
0703133	1K0505323N	BRACCIO SOSPENSIONE SUSPENSION ARM		
0705751	5Q0501529C	BRACCIO SOSPENSIONE SUSPENSION ARM		
0708512	3Q0505311E	BRACCIO SOSPENSIONE SUSPENSION ARM		
1215947	1K0505279A	SILENTBLOCK BRACCIO SOSPENSIONE - INTERNO CONTROL ARM BUSHING - INNER		DIAM. 12 mm.
1215948	1K0505203A	SILENTBLOCK BRACCIO SOSPENSIONE - ESTERNO CONTROL ARM BUSHING - OUTER		DIAM. 14 mm.
1216233	5Q0501529C *	SILENTBLOCK BUSHING		
1216234	5Q0501529C **	SILENTBLOCK BUSHING		
1216340	3Q0505311E *	SILENTBLOCK BUSHING		

DESTRO
RIGHT



SINISTRO
LEFT

TOUAREG

7LA,7L6,7L7

2002 > 05/2010

Asse Anteriore



Front Axle

0284325



0584325



0594325



0294325



1211429



0604326



0604326



1211429



0304328



1215731



1215731



0304328



0384327



1215732



1215732



0394327



1215733



1215734





1215734



1215733



i 1) > 06/2008

OCAP	O.E.		i	
0284325	7L0422818D	TESTA STERZO TIE ROD END		RHT M16x1,5
0294325	7L0422817D	TESTA STERZO TIE ROD END		RHT M16x1,5
0304328	7L0407021B	BRACCIO OSCILLANTE - SUPERIORE - ALLUMINIO TRACK CONTROL ARM - UPPER - ALUMINIUM		
0384327	7L0407152H	BRACCIO OSCILLANTE - INFERIORE - GHISA TRACK CONTROL ARM - LOWER - CAST IRON	1)	
0394327	7L0407151H	BRACCIO OSCILLANTE - INFERIORE - GHISA TRACK CONTROL ARM - LOWER - CAST IRON	1)	
0584325	7L0422804D	BARRA STERZO TIE ROD		
0594325	7L0422803D	BARRA STERZO TIE ROD		
0604326	7L0422821	SNODO ASSIALE AXIAL JOINT		RHT M16x1,5
1211429	7L0422831A	CUFFIA STERZO STEERING GAITER		
1215731	7L0407077	SILENTBLOCK BUSHING		
1215732	7L0407183A	SILENTBLOCK CENTRALE CENTRAL BUSHING		
1215733	7L0412333A	SILENTBLOCK CENTRALE LATO SNODO - N. 1 PEZZO CENTRAL BUSHING BALL JOINT SIDE - N. 1 PIECE		
1215734	7L0407182E	SILENTBLOCK ESTREMO OUTER BUSHING		DIAM. 60,2 mm.

DESTRO
RIGHT



SINISTRO
LEFT

TOUAREG	7LA,7L6,7L7	2002 > 05/2010
----------------	-------------	----------------

Asse Anteriore



Front Axle



i 2) 06/2008 >

OCAP	O.E.		i	
0384332	7L0407152K	BRACCIO OSCILLANTE - INFERIORE - GHISA TRACK CONTROL ARM- LOWER - CAST IRON	2)	
0394332	7L0407151K	BRACCIO OSCILLANTE - INFERIORE - GHISA TRACK CONTROL ARM- LOWER - CAST IRON	2)	
0504329	7L0411317	STABILIZZATORE STABILIZER LINK		
1215732	7L0407183A	SILENTBLOCK CENTRALE CENTRAL BUSHING		
1215733	7L0412333A	SILENTBLOCK CENTRALE LATO SNODO - N. 1 PEZZO CENTRAL BUSHING BALL JOINT SIDE - N. 1 PIECE		
1215735	7L0411317 *	SILENTBLOCK BUSHING		
1215882	7L0407182F	SILENTBLOCK ESTREMO OUTER BUSHING		DIAM. 72 mm.

DESTRO
RIGHT



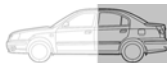
SINISTRO
LEFT

TOUAREG

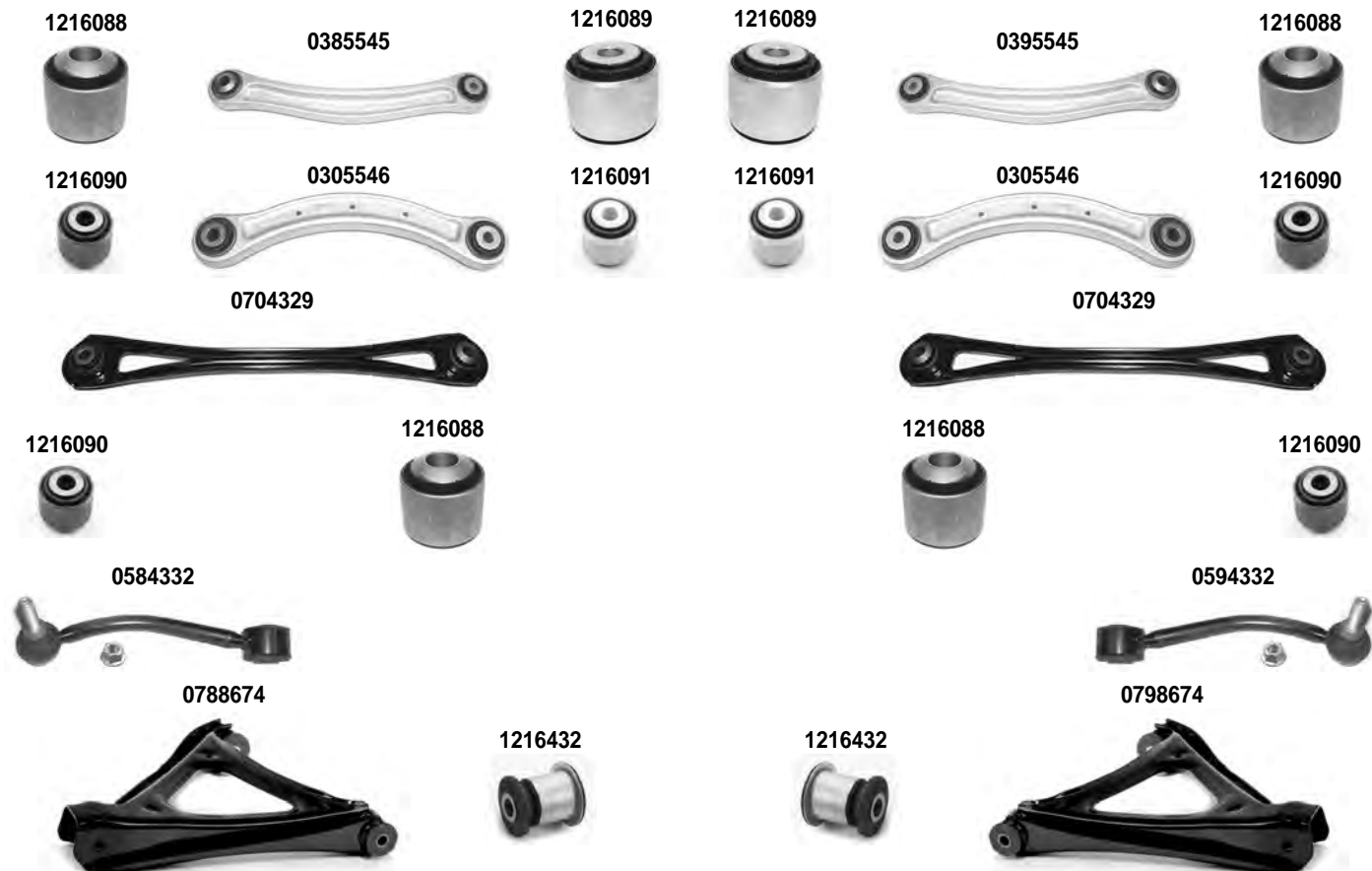
7LA,7L6,7L7

2002 > 05/2010

Asse Posteriore



Rear Axle



OCAP	O.E.		i	
0305546	7L0505323A	BRACCIO OSCILLANTE - ALLUMINIO TRACK CONTROL ARM - ALUMINIUM		
0385545	7L0505398	BRACCIO OSCILLANTE - ALLUMINIO TRACK CONTROL ARM - ALUMINIUM		
0395545	7L0505397	BRACCIO OSCILLANTE - ALLUMINIO TRACK CONTROL ARM - ALUMINIUM		
0584332	7L0505466C	STABILIZZATORE STABILIZER LINK		
0594332	7L0505465C	STABILIZZATORE STABILIZER LINK		
0704329	7L0501529D	BRACCIO OSCILLANTE TRACK CONTROL ARM		
0788674	7L0505312B	BRACCIO OSCILLANTE - INFERIORE TRACK CONTROL ARM - LOWER		
0798674	7L0505311B	BRACCIO OSCILLANTE - INFERIORE TRACK CONTROL ARM - LOWER		
1216088	7L0505398 *	SILENTBLOCK BUSHING		
1216089	7L0505397 *	SILENTBLOCK BUSHING		
1216090	7L0505323A *	SILENTBLOCK BUSHING		
1216091	7L0505375A *	SILENTBLOCK BUSHING		
1216432	7L0505311B *	SILENTBLOCK BUSHING		

DESTRO
RIGHT



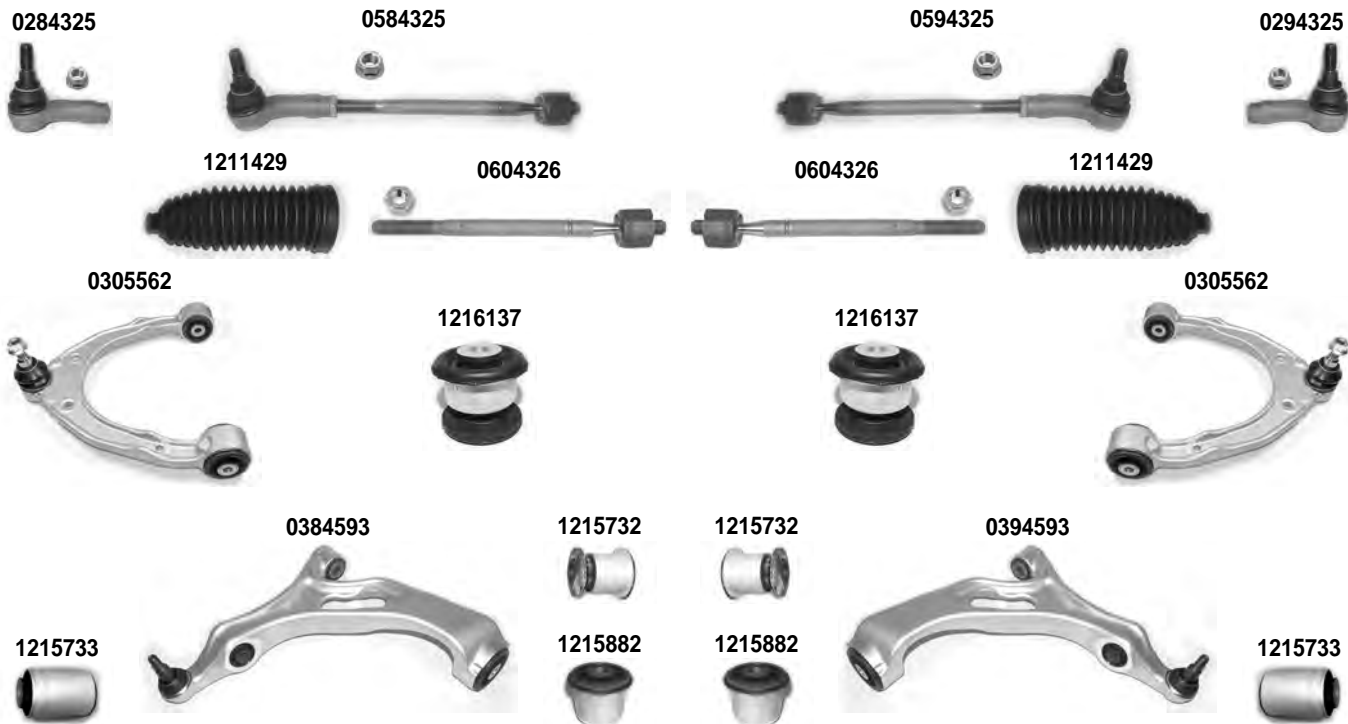
SINISTRO
LEFT

TOUAREG	7P5	01/2010 >
---------	-----	-----------

Asse Anteriore



Front Axle



OCAP	O.E.			
0284325	7L0422818D	TESTA STERZO TIE ROD END		RHT M16x1,5
0294325	7L0422817D	TESTA STERZO TIE ROD END		RHT M16x1,5
0305562	7P0407021	BRACCIO OSCILLANTE - SUPERIORE - ALLUMINIO TRACK CONTROL ARM - UPPER - ALUMINIUM		
0384593	7P0407152E	BRACCIO OSCILLANTE - INFERIORE - ALLUMINIO TRACK CONTROL ARM - LOWER - ALUMINIUM		
0394593	7P0407151E	BRACCIO OSCILLANTE - INFERIORE - ALLUMINIO TRACK CONTROL ARM - LOWER - ALUMINIUM		
0584325	7L0422804D	BARRA STERZO TIE ROD		
0594325	7L0422803D	BARRA STERZO TIE ROD		
0604326	7L0422821	SNODO ASSIALE AXIAL JOINT		RHT M16x1,5
1211429	7L0422831A	CUFFIA STERZO STEERING GAITER		
1215732	7L0407183A	SILENTBLOCK CENTRALE CENTRAL BUSHING		
1215733	7L0412333A	SILENTBLOCK CENTRALE LATO SNODO - N. 1 PEZZO CENTRAL BUSHING BALL JOINT SIDE - N. 1 PIECE		
1215882	7L0407182F	SILENTBLOCK ESTREMO OUTER BUSHING		DIAM. 72 mm.
1216137	7P0407021 *	SILENTBLOCK BUSHING		

DESTRO
RIGHT



SINISTRO
LEFT

TOUAREG

7P5

01/2010 >

Asse Anteriore



Front Axle

1215735



0504329



1215735



1215735



0504329



1215735



Asse Posteriore



Rear Axle

1216089



0385545



1216088



1216088



0395545



1216089



1216091



0305546



1216090



1216090



0305546



1216091



0704329



0704329



1216090



1216088



1216088



1216090



0584332



0594332



OCAP	O.E.			
0305546	7L0505323A	BRACCIO OSCILLANTE - ALLUMINIO TRACK CONTROL ARM - ALUMINIUM		
0385545	7L0505398	BRACCIO OSCILLANTE - ALLUMINIO TRACK CONTROL ARM - ALUMINIUM		
0395545	7L0505397	BRACCIO OSCILLANTE - ALLUMINIO TRACK CONTROL ARM - ALUMINIUM		
0504329	7L0411317	STABILIZZATORE STABILIZER LINK		
0584332	7L0505466C	STABILIZZATORE STABILIZER LINK		
0594332	7L0505465C	STABILIZZATORE STABILIZER LINK		
0704329	7L0501529D	BRACCIO OSCILLANTE TRACK CONTROL ARM		
1215735	7L0411317 *	SILENTBLOCK BUSHING		
1216088	7L0505398 *	SILENTBLOCK BUSHING		
1216089	7L0505397 *	SILENTBLOCK BUSHING		
1216090	7L0505323A *	SILENTBLOCK BUSHING		
1216091	7L0505375A *	SILENTBLOCK BUSHING		

DESTRO
RIGHT



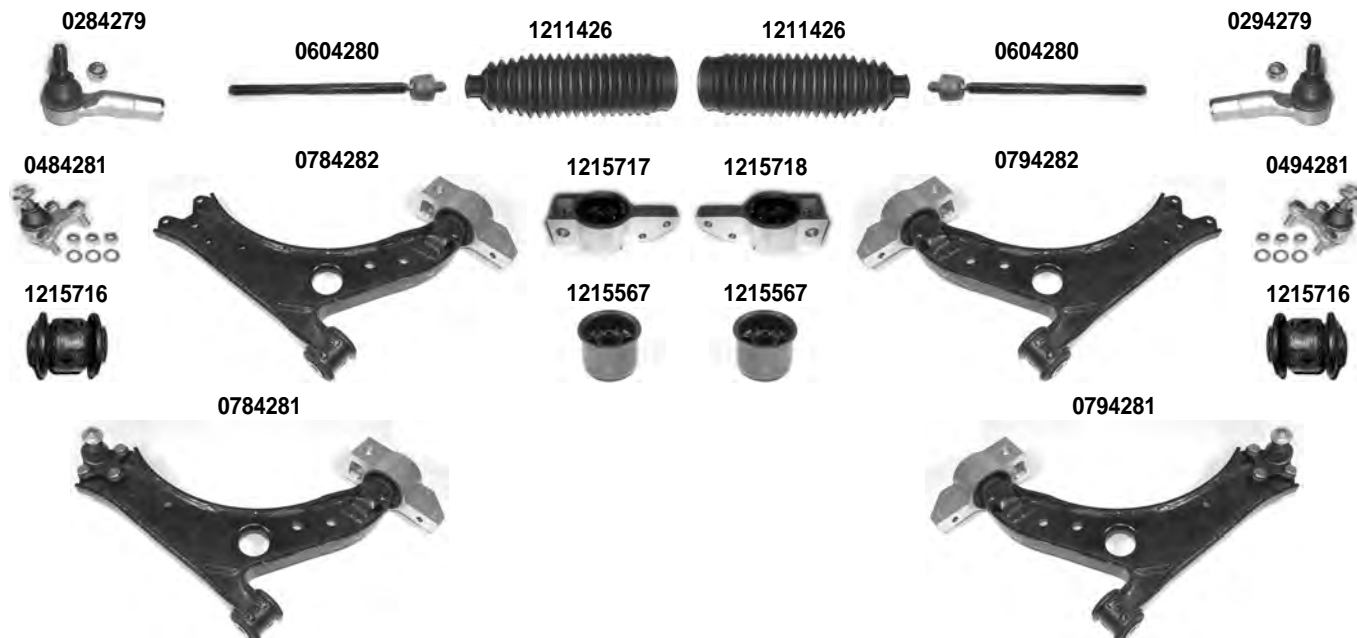
SINISTRO
LEFT

TOURAN I	1T1-1T2	02/2003 >05/2010
----------	---------	------------------

Asse Anteriore



Front Axle



i 1) SOLO MOTORI A BENZINA SENZA REGOLAZIONE AUTOMATICA FARI - ONLY FOR GASOLINE ENGINES WITHOUT HEADLAMPS AUTOMATIC ADJUSTMENT	1) SOLO MOTORI A BENZINA SENZA REGOLAZIONE AUTOMATICA FARI - ONLY FOR GASOLINE ENGINES WITHOUT HEADLAMPS AUTOMATIC ADJUSTMENT
--	---

OCAP	O.E.		i	
0284279	1K0423812E	TESTA STERZO TIE ROD END		RHT M16X1,5
0294279	1K0423811E	TESTA STERZO TIE ROD END		RHT M16X1,5
0484281	5Q0407366A	SNODO SOSPENSIONE BALL JOINT		
0494281	5Q0407365A	SNODO SOSPENSIONE BALL JOINT		
0604280	1K0423810A	SNODO ASSIALE AXIAL JOINT		RHT M16X1,5
0784281	1K0407152AB *	BRACCIO OSCILLANTE - COMPLETO COMPLETE TRACK CONTROL ARM	1)	
0784282	1K0407152AB	BRACCIO OSCILLANTE TRACK CONTROL ARM	1)	
0794281	1K0407151AB *	BRACCIO OSCILLANTE - COMPLETO COMPLETE TRACK CONTROL ARM	1)	
0794282	1K0407151AB	BRACCIO OSCILLANTE TRACK CONTROL ARM	1)	
1211426	1K0423831A	CUFFIA STERZO STEERING GAITER		
1215567	1K0407183E	SILENTBLOCK BUSHING		
1215716	1K0407182	SILENTBLOCK CENTRALE CENTRAL BUSHING		
1215717	1K0199232J	SILENTBLOCK ESTREMO - ALLUMINIO OUTER BUSHING - ALUMINIUM		
1215718	1K0199231J	SILENTBLOCK ESTREMO - ALLUMINIO OUTER BUSHING - ALUMINIUM		

DESTRO
RIGHT

 SINISTRO
LEFT

TOURAN I

1T1-1T2

02/2003 >05/2010

Asse Anteriore



Front Axle



i 2) SOLO MOTORI DIESEL E VEICOLI CON REGOLAZIONE AUTOMATICA FARI - ONLY FOR DIESEL ENGINE AND CARS WITH HEADLAMPS AUTOMATIC ADJUSTMENT

OCAP	O.E.		i	
0384376	1K0407152AC	BRACCIO OSCILLANTE - GHISA TRACK CONTROL ARM - CAST IRON	2)	
0384377	1K0407152AC *	BRACCIO OSCILLANTE - GHISA - COMPLETO TRACK CONTROL ARM - CAST IRON - COMPLETE	2)	
0394376	1K0407151AC	BRACCIO OSCILLANTE - GHISA TRACK CONTROL ARM - CAST IRON	2)	
0394377	1K0407151AC *	BRACCIO OSCILLANTE - GHISA - COMPLETO TRACK CONTROL ARM - CAST IRON - COMPLETE	2)	
0484281	5Q0407366A	SNODO SOSPENSIONE BALL JOINT		
0494281	5Q0407365A	SNODO SOSPENSIONE BALL JOINT		
0504283	1K0411315J	STABILIZZATORE STABILIZER LINK		
1214296	1K0411303AM *	SILENTBLOCK BARRA STABILIZZATRICE STABILIZING BAR BUSHING		DIAM. 23 mm.
1215567	1K0407183E	SILENTBLOCK BUSHING		
1215716	1K0407182	SILENTBLOCK CENTRALE CENTRAL BUSHING		
1215717	1K0199232J	SILENTBLOCK ESTREMO - ALLUMINIO OUTER BUSHING - ALUMINIUM		
1215718	1K0199231J	SILENTBLOCK ESTREMO - ALLUMINIO OUTER BUSHING - ALUMINIUM		

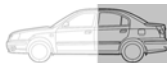
DESTRO
RIGHT



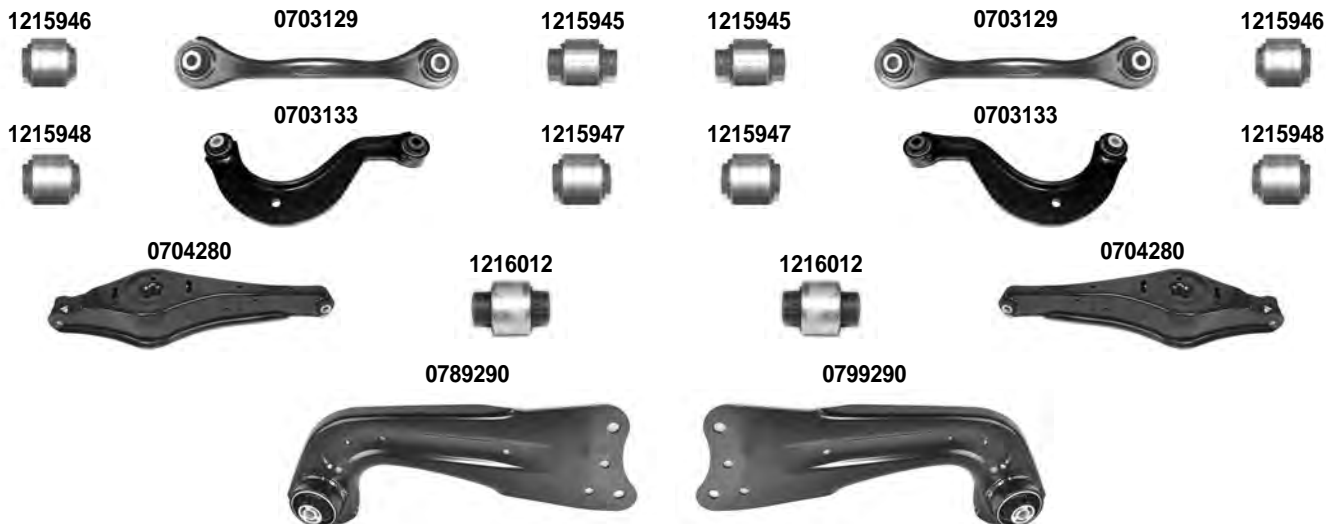
SINISTRO
LEFT

TOURAN I	1T1-1T2	02/2003 >05/2010
----------	---------	------------------

Asse Posteriore



Rear Axle



i 3) 06/2009 >

OCAP	O.E.		i	
0703129	1K0501529J	BRACCIO OSCILLANTE TRACK CONTROL ARM	3)	
0703133	1K0505323N	BRACCIO SOSPENSIONE SUSPENSION ARM		
0704280	1K0505311AB	BRACCIO SOSPENSIONE SUSPENSION ARM		
0789290	1T0505224F	BRACCIO SOSPENSIONE SUSPENSION ARM		
0799290	1T0505223F	BRACCIO SOSPENSIONE SUSPENSION ARM		
1215945	-	SILENTBLOCK - INTERNO BUSHING - INNER		DIAM. 12 mm.
1215946	-	SILENTBLOCK - INTERNO BUSHING - INNER		DIAM. 14 mm.
1215947	1K0505279A	SILENTBLOCK - INTERNO BUSHING - INNER		DIAM. 12 mm.
1215948	1K0505203A	SILENTBLOCK - INTERNO BUSHING - INNER		DIAM. 14 mm.
1216012	-	SILENTBLOCK BUSHING		

DESTRO
RIGHTSINISTRO
LEFT

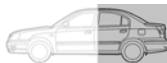
TOURAN I

TOURAN I

1T1-1T2

02/2003 >05/2010

Asse Posteriore



Rear Axle

0504378

1214130

1214131

1214144

0504378



OCAP	O.E.			
0504378	1K0505465K	STABILIZZATORE STABILIZER LINK		
1214130	1K0511327AE	SILENTBLOCK BARRA STABILIZZATRICE STABILIZING BAR BUSHING		DIAM. 18,5 mm.
1214131	1K0511327AR	SILENTBLOCK BARRA STABILIZZATRICE STABILIZING BAR BUSHING		DIAM. 20,7 mm.
1214144	1K0511327AQ	SILENTBLOCK BARRA STABILIZZATRICE STABILIZING BAR BUSHING		DIAM. 17 mm.

DESTRO
RIGHT

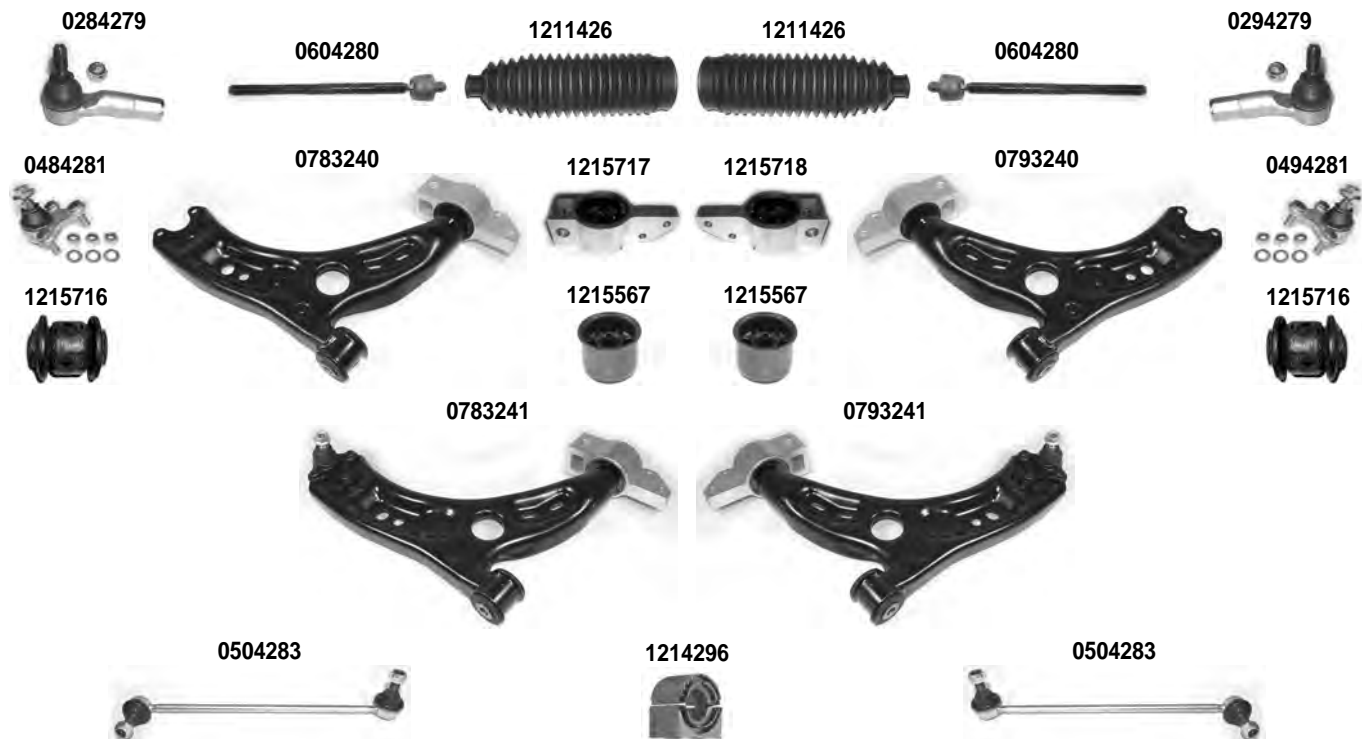


SINISTRO
LEFT

TOURAN II	1T3	08/2010 > 2015
-----------	-----	----------------

Asse Anteriore

Front Axle



OCAP	O.E.			
0284279	1K0423812E	TESTA STERZO TIE ROD END		RHT M16x1,5
0294279	1K0423811E	TESTA STERZO TIE ROD END		RHT M16x1,5
0484281	5Q0407366A	SNODO SOSPENSIONE BALL JOINT		
0494281	5Q0407365A	SNODO SOSPENSIONE BALL JOINT		
0504283	1K0411315J	STABILIZZATORE STABILIZER LINK		
0604280	1K0423810A	SNODO ASSIALE AXIAL JOINT		RHT M16x1,5
0783240	1K0407152BC	BRACCIO OSCILLANTE - INFERIORE - LAMIERA TRACK CONTROL ARM - LOWER - SHEET METAL		
0783241	1K0407152BC *	BRACCIO OSCILLANTE - INFERIORE - LAMIERA - COMPLETO TRACK CONTROL ARM - LOWER - SHEET METAL - COMPLETE		
0793240	1K0407151BC	BRACCIO OSCILLANTE - INFERIORE - LAMIERA TRACK CONTROL ARM - LOWER - SHEET METAL		
0793241	1K0407151BC *	BRACCIO OSCILLANTE - INFERIORE - LAMIERA - COMPLETO TRACK CONTROL ARM - LOWER - SHEET METAL - COMPLETE		
1211426	1K0423831A	CUFFIA STERZO STEERING GAITER		
1214296	1K0411303AM *	SILENTBLOCK BARRA STABILIZZATRICE STABILIZING BAR BUSHING		DIAM. 23 mm.
1215567	1K0407183E	SILENTBLOCK BUSHING		
1215716	1K0407182	SILENTBLOCK CENTRALE CENTRAL BUSHING		
1215717	1K0199232J	SILENTBLOCK ESTREMO OUTER BUSHING		
1215718	1K0199231J	SILENTBLOCK ESTREMO OUTER BUSHING		

DESTRO
RIGHT



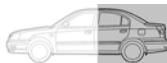
SINISTRO
LEFT

TOURAN II

1T3

08/2010 > 2015

Asse Posteriore



Rear Axle

1215946



0703129



1215945



1215945



0703129



1215946



1215948



0703133



1215947



1215947



0703133



1215948



0704280



1216012



1216012



0704280



0789290



0799290



0504378



1214131



0504378



1214130



OCAP	O.E.		
0504378	1K0505465K	STABILIZZATORE STABILIZER LINK	
0703129	1K0501529J	BRACCIO SOSPENSIONE SUSPENSION ARM	
0703133	1K0505323P	BRACCIO SOSPENSIONE SUSPENSION ARM	
0704280	1K0505311AB	BRACCIO SOSPENSIONE SUSPENSION ARM	
0789290	1T0505224F	BRACCIO SOSPENSIONE SUSPENSION ARM	
0799290	1T0505223F	BRACCIO SOSPENSIONE SUSPENSION ARM	
1214130	1K0511327AE	SILENTBLOCK BARRA STABILIZZATRICE STABILIZING BAR BUSHING	DIAM. 18,5 mm.
1214131	1K0511327AR	SILENTBLOCK BARRA STABILIZZATRICE STABILIZING BAR BUSHING	DIAM. 20,7 mm.
1215945	-	SILENTBLOCK BRACCIO SOSPENSIONE - INTERNO CONTROL ARM BUSHING - INNER	DIAM. 12 mm.
1215946	-	SILENTBLOCK BRACCIO SOSPENSIONE - ESTERNO CONTROL ARM BUSHING - OUTER	DIAM. 14 mm.
1215947	1K0505279A	SILENTBLOCK BRACCIO SOSPENSIONE - INTERNO CONTROL ARM BUSHING - INNER	DIAM. 12 mm.
1215948	1K0505203A	SILENTBLOCK BRACCIO SOSPENSIONE - ESTERNO CONTROL ARM BUSHING - OUTER	DIAM. 14 mm.
1216012	-	SILENTBLOCK BUSHING	

DESTRO
RIGHT

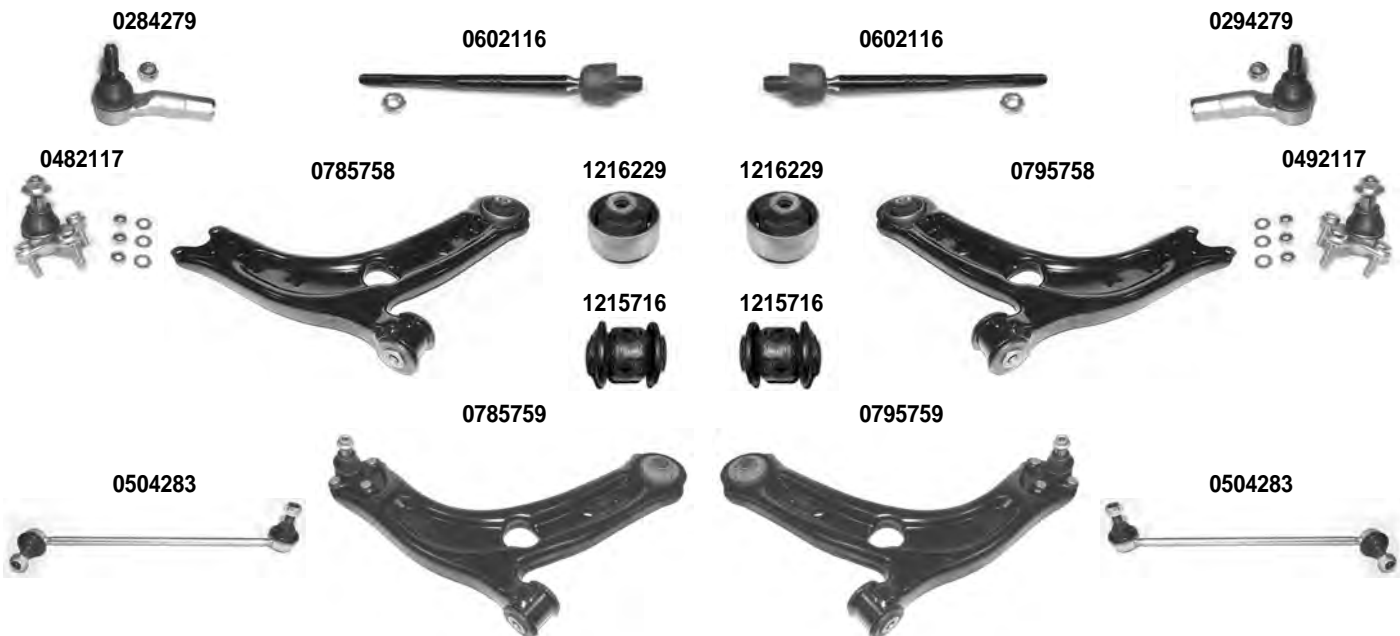


SINISTRO
LEFT

TOURAN III	5T1	05/2015 >
------------	-----	-----------

Asse Anteriore

Front Axle



OCAP	O.E.			
0284279	1K0423812E	TESTA STERZO TIE ROD END		RHT M16x1,5
0294279	1K0423811E	TESTA STERZO TIE ROD END		RHT M16x1,5
0482117	3C0407366B	SNODO SOSPENSIONE - INFERIORE BALL JOINT - LOWER		
0492117	3C0407365B	SNODO SOSPENSIONE - INFERIORE BALL JOINT - LOWER		
0504283	1K0411315D	STABILIZZATORE STABILIZER LINK		
0602116	561423810	SNODO ASSIALE AXIAL JOINT		RHT M16x1,5
0785758	3Q0407152E	BRACCIO OSCILLANTE - INFERIORE TRACK CONTROL ARM - LOWER		
0785759	3Q0407152E *	BRACCIO OSCILLANTE - INFERIORE - COMPLETO TRACK CONTROL ARM - LOWER - COMPLETE		
0795758	3Q0407151E	BRACCIO OSCILLANTE - INFERIORE TRACK CONTROL ARM - LOWER		
0795759	3Q0407151E *	BRACCIO OSCILLANTE - INFERIORE - COMPLETO TRACK CONTROL ARM - LOWER - COMPLETE		
1215716	1K0407182	SILENTBLOCK CENTRALE CENTRAL BUSHING		
1216229	5Q0407183E	SILENTBLOCK ESTREMO OUTER BUSHING		

DESTRO
RIGHTSINISTRO
LEFT

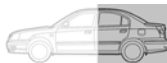
TOURAN III

TOURAN III

5T1

05/2015 >

Asse Posteriore



Rear Axle

1216070



0785751



0795751



1216070



1216233



0705751



1216234



1216234



0705751



1216233



1215948



0703133



1215947



1215947



0703133



1215948



0505748



0505748



OCAP	O.E.			
0505748	5Q0505465C	STABILIZZATORE STABILIZER LINK		
0703133	1K0505323N	BRACCIO SOSPENSIONE SUSPENSION ARM		
0705751	5Q0501529C	BRACCIO SOSPENSIONE SUSPENSION ARM		
0785751	5Q0505224D	BRACCIO SOSPENSIONE SUSPENSION ARM		
0795751	5Q0505223D	BRACCIO SOSPENSIONE SUSPENSION ARM		
1215947	1K0505279A	SILENTBLOCK BRACCIO SOSPENSIONE - INTERNO CONTROL ARM BUSHING - INNER		DIAM. 12 mm.
1215948	1K0505203A	SILENTBLOCK BRACCIO SOSPENSIONE - ESTERNO CONTROL ARM BUSHING - OUTER		DIAM. 14 mm.
1216070	1K0407541C	SILENTBLOCK BUSHING		
1216233	5Q0501529C *	SILENTBLOCK BUSHING		
1216234	5Q0501529C **	SILENTBLOCK BUSHING		

DESTRO
RIGHT



SINISTRO
LEFT

TRANSPORTER I - KOMBI I

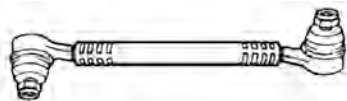
1955 > 1967

Asse Anteriore



Front Axle

0502410



0502411





0184010



0194011



OCAP	O.E.		i	
0184010	131415812	TESTA STERZO TIE ROD END		RHT M14x1,5
0194011	131415811	TESTA STERZO TIE ROD END		LHT M14x1,5
0502410	211415802D	BARRA STERZO TIE ROD		
0502411	211415801D	BARRA STERZO TIE ROD		

DESTRO
RIGHT

 SINISTRO
LEFT

TRANSPORTER II - KOMBI II

1967 > 1979

Asse Anteriore



Front Axle

0500881

0502408

0502407

0190882

0180882

0180884

0400885

0400885


OCAP	O.E.			
0180882	311415812C	TESTA STERZO TIE ROD END		RHT M14x1,5
0180884	211415712F	TESTA STERZO TIE ROD END		RHT M16x1,5
0190882	311415811C	TESTA STERZO TIE ROD END		LHT M14x1,5
0400885	211405371B	SNODO SOSPENSIONE - SUPERIORE - PRIMO MONTAGGIO - 48,3 mm. SUSPENSION JOINT - UPPER		D= 48,3 mm.
0500881	211415802F	BARRA STERZO TIE ROD		
0502407	211415701G	BARRA STERZO TIE ROD		
0502408	211415801F	BARRA STERZO TIE ROD		

DESTRO
RIGHT



SINISTRO
LEFT

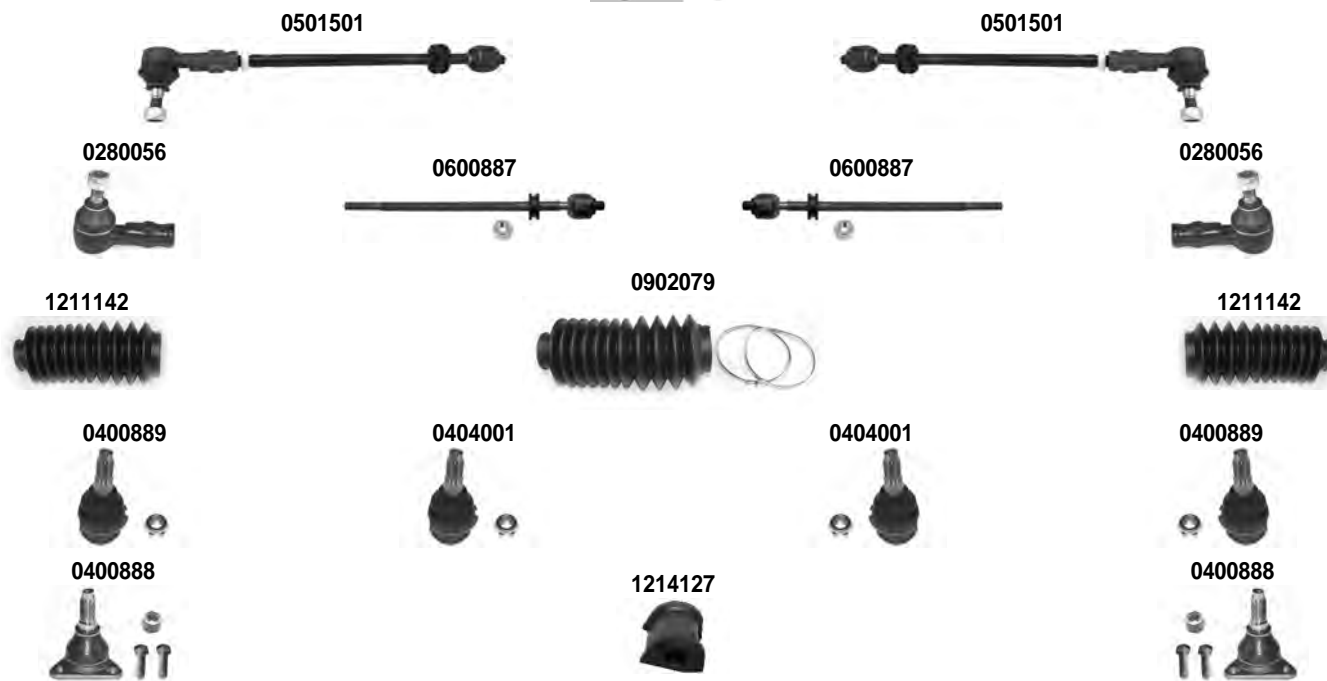
TRANSPORTER III - KOMBI III
SYNCRO I (4WD)

1979 >
1985 >

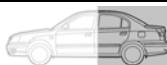
Asse Anteriore



Front Axle



Asse Posteriore



Rear Axle

1215659



1215659



OCAP	O.E.			
0280056	171419811A	TESTA STERZO TIE ROD END		RHT M14x1,5
0400888	251407361	SNODO SOSPENSIONE - SUPERIORE SUSPENSION JOINT - UPPER		
0400889	251407187A	SNODO SOSPENSIONE - INFERIORE - PRIMO MONTAGGIO - 48,3 mm. SUSPENSION JOINT - LOWER - EARLY - 48,3 mm.		
0404001	251407187C	SNODO SOSPENSIONE INFERIORE - RICAMBIO - 48,6 mm. SUSPENSION JOINT - LOWER - LATE - 48,6 mm.		
0501501	251419803A	BARRA STERZO TIE ROD		
0600887	251419803A *	SNODO ASSIALE AXIAL JOINT		RHT M14x1,5
0902079	251419831A *	KIT CUFFIE STERZO STEERING GAITER KITS		
1211142	251419831A	CUFFIA STERZO STEERING GAITER		
1214127	251411041C	SILENTBLOCK BARRA STABILIZZATRICE STABILIZING BAR BUSHING		DIAM. 20 mm.
1215659	701407087	SILENTBLOCK SUPERIORE UPPER BUSHING		

DESTRO
RIGHT



SINISTRO
LEFT

TRANSPORTER IV - SYNCRO II(4WD)
> CH. 70-S-002 791

70A_M - 70DA_DK

1990 >

Asse Anteriore



Front Axle



i 1) > CH. 70-M-096448

2) CH. 70-M-096 449 >

OCAP	O.E.		i	
0281405	701419812	TESTA STERZO TIE ROD END	1)	
0281407	701419812A	TESTA STERZO TIE ROD END	2)	
0291405	701419811A	TESTA STERZO TIE ROD END	1)	
0291407	701419811B	TESTA STERZO TIE ROD END	2)	
0581405	701419804C	BARRA STERZO - L H D TIE ROD - L H D	1)	
0581406	702419804A	BARRA STERZO - R H D TIE ROD - R H D	1)	
0581407	701419804D	BARRA STERZO - L H D TIE ROD - L H D	2)	
0591405	701419803C	BARRA STERZO - L H D TIE ROD - L H D	1)	
0591406	702419803A	BARRA STERZO - R H D TIE ROD - R H D	1)	
0591407	701419803D	BARRA STERZO - L H D TIE ROD - L H D	2)	
0601406	701419803C *	SNODO ASSIALE AXIAL JOINT		
0601412	701419804C *	SNODO ASSIALE AXIAL JOINT		

TRANSPORTER IV - SYNCRO II(4WD)

TRANSPORTER IV - SYNCRO II(4WD)

DESTRO
RIGHT



SINISTRO
LEFT

TRANSPORTER IV - SYNCRO II(4WD)
> CH. 70-S-002 791

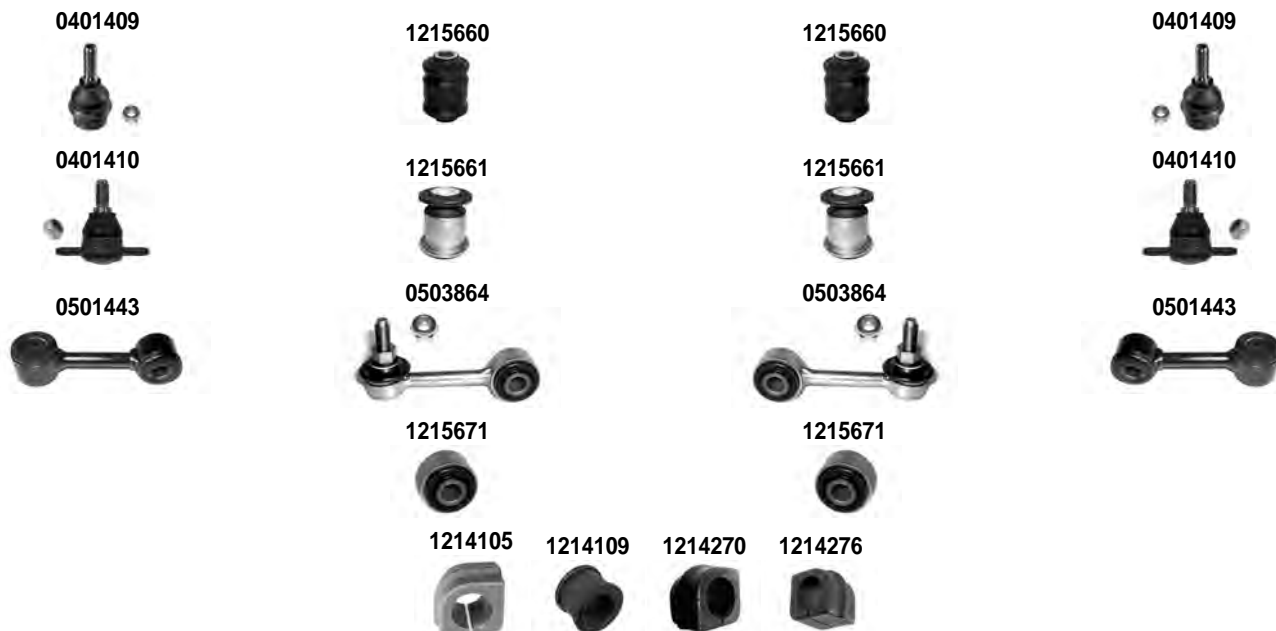
70A_M - 70DA_DK

1990 >

Asse Anteriore



Front Axle



Asse Posteriore



Rear Axle



OCAP	O.E.			
0401409	701407187B	SNODO SOSPENSIONE - SUPERIORE SUSPENSION JOINT - UPPER		
0401410	701407361B	SNODO SOSPENSIONE - INFERIORE SUSPENSION JOINT - LOWER		
0501443	7D0411049	STABILIZZATORE - PER BARRE DIAM. 23 mm. STABILIZER LINK - FOR BAR DIAM. 23 mm.		
0503864	701411049B	STABILIZZATORE - PER BARRE DIAM. 27 mm. STABILIZER LINK - FOR BAR DIAM. 27 mm.		
1214105	701411041	SILENTBLOCK BARRA STABILIZZATRICE STABILIZING BAR BUSHING		DIAM. 23 mm.
1214109	7D0411045	SILENTBLOCK BARRA STABILIZZATRICE STABILIZING BAR BUSHING		DIAM. 28,5 mm.
1214270	701411041D	SILENTBLOCK BARRA STABILIZZATRICE STABILIZING BAR BUSHING		DIAM. 27 mm.
1214276	7D1411041	SILENTBLOCK BARRA STABILIZZATRICE STABILIZING BAR BUSHING		DIAM. 23 mm.
1215660	701407077A	SILENTBLOCK - SUPERIORE BUSHING - UPPER		
1215661	7D0407183	SILENTBLOCK - INFERIORE BUSHING - LOWER		
1215662	701501131	SILENTBLOCK - ESTERNO BUSHING - OUTER		
1215663	7D0407140A	SILENTBLOCK - INFERIORE BUSHING - LOWER		
1215671	701411049B *	SILENTBLOCK - STABILIZZATORE STABILIZER LINK BUSHING		

DESTRO
RIGHT



SINISTRO
LEFT

TRANSPORTER IV - SYNCRO II(4WD)
> CH. 70-S-002 791

70A_M - 70DA_DK

1990 >

Asse Anteriore



Front Axle



i 1) > CH. 70-T-199 999 2) CH. 70-T-200 000 >

OCAP	O.E.		i	
0281411	701419812B	TESTA STERZO TIE ROD END	1)	
0281413	701419812D	TESTA STERZO TIE ROD END	2)	
0291411	701419811C	TESTA STERZO TIE ROD END	1)	
0291413	701419811E	TESTA STERZO TIE ROD END	2)	
0581411	701419804E	BARRA STERZO - L H D TIE ROD - L H D	1)	
0581412	702419804C	BARRA STERZO - R H D TIE ROD - R H D	1)	
0581413	701419804F	BARRA STERZO TIE ROD	2)	
0591411	701419803E	BARRA STERZO - L H D TIE ROD - L H D	1)	
0591412	702419803C	BARRA STERZO - R H D TIE ROD - R H D	1)	
0591413	702419803D	BARRA STERZO TIE ROD	2)	
0601406	701419803C *	SNODO ASSIALE AXIAL JOINT	1)	
0601412	701419804C *	SNODO ASSIALE AXIAL JOINT		

DESTRO
RIGHT



SINISTRO
LEFT

TRANSPORTER IV - SYNCRO II(4WD)
> CH. 70-S-002 791

70A_M - 70DA_DK

1990 >

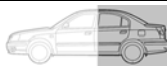
Asse Anteriore



Front Axle



Asse Posteriore



Rear Axle



i 1) > CH. 70-T-199 999 2) CH. 70-T-200 000 >

OCAP	O.E.		i	
0401409	701407187B	SNODO SOSPENSIONE - SUPERIORE SUSPENSION JOINT - UPPER		
0401410	701407361B	SNODO SOSPENSIONE - INFERIORE SUSPENSION JOINT - LOWER	1)	
0401425	7D0407361	SNODO SOSPENSIONE - INFERIORE SUSPENSION JOINT - LOWER	2)	
0501443	7D0411049	STABILIZZATORE - PER BARRE DIAM. 23 mm. STABILIZER LINK - FOR BAR DIAM. 23 mm.		
0503864	701411049B	STABILIZZATORE - PER BARRE DIAM. 27 mm. STABILIZER LINK - FOR BAR DIAM. 27 mm.		
1214105	701411041	SILENTBLOCK BARRA STABILIZZATRICE STABILIZING BAR BUSHING		DIAM. 23 mm.
1214109	7D0411045	SILENTBLOCK BARRA STABILIZZATRICE STABILIZING BAR BUSHING		DIAM. 28,5 mm.
1214270	701411041D	SILENTBLOCK BARRA STABILIZZATRICE STABILIZING BAR BUSHING		DIAM. 27 mm.
1214276	7D1411041	SILENTBLOCK BARRA STABILIZZATRICE STABILIZING BAR BUSHING		DIAM. 23 mm.
1215660	701407077A	SILENTBLOCK - SUPERIORE BUSHING - UPPER		
1215661	7D0407183	SILENTBLOCK - INFERIORE BUSHING - LOWER		
1215662	701501131	SILENTBLOCK - ESTERNO BUSHING - OUTER		
1215663	7D0407140A	SILENTBLOCK - INFERIORE BUSHING - LOWER		
1215671	701411049B *	SILENTBLOCK - STABILIZZATORE STABILIZER LINK BUSHING		

DESTRO
RIGHT

 SINISTRO
LEFT

**TRANSPORTER V
MULTIVAN V**

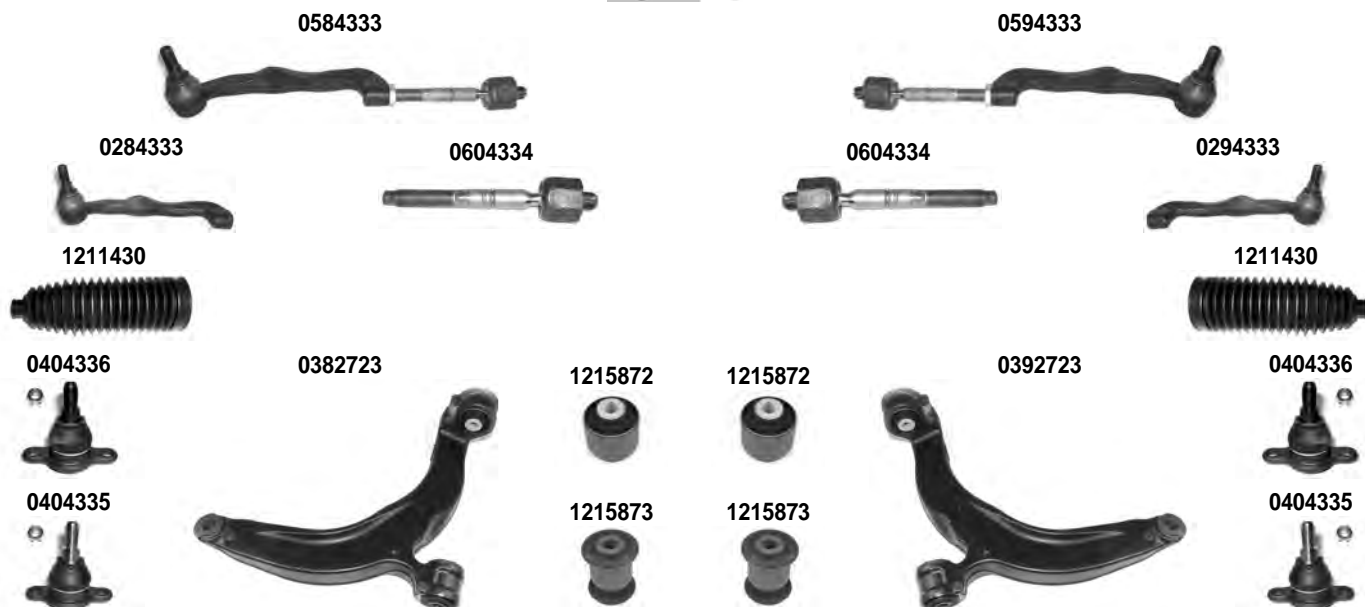
 7HA_7HJ-7EA_7EH-7JD_7JZ
7HF_7HM-7EF_7EN

 04/2003 > 08/2015
04/2003 > 08/2015

Asse Anteriore



Front Axle



i	1) MOD. FURGONATI - VAN : 2,6-3,0 T - PIANALE PIATTO - CASSIS CAB : 2,6-2,85 T	2) MOD. FURGONATI - VAN : 3,2 T - PIANALE PIATTO - CASSIS CAB : 3,0-3,2 T
	3) > 09/2011	

OCAP	O.E.		
0284333	7H0422818D	TESTA STERZO TIE ROD END	RHT M16x1,5
0294333	7H0422817D	TESTA STERZO TIE ROD END	RHT M16x1,5
0382723	7H0407152F	BRACCIO OSCILLANTE - INFERIORE TRACK CONTROL ARM - LOWER	3)
0392723	7H0407151F	BRACCIO OSCILLANTE - INFERIORE TRACK CONTROL ARM - LOWER	3)
0404335	7H8407361A	SNODO SOSPENSIONE - INFERIORE BALL JOINT - LOWER	2)
0404336	7H0407361	SNODO SOSPENSIONE - INFERIORE BALL JOINT - LOWER	1)
0584333	7H0419804D	BARRA STERZO TIE ROD	
0594333	7H0419803D	BARRA STERZO TIE ROD	
0604334	-	SNODO ASSIALE AXIAL JOINT	RHT M16x1,5
1211430	7H0422831	CUFFIA STERZO STEERING GAITER	
1215872	7H0407182A	SILENTBLOCK - ESTREMO BUSHING - OUTER	
1215873	7H0407183	SILENTBLOCK - CENTRALE BUSHING - CENTRAL	

DESTRO
RIGHT



SINISTRO
LEFT

TRANSPORTER V MULTIVAN V	7HA_7HJ-7EA_7EH-7JD_7JZ 7HF_7HM-7EF_7EN	04/2003 > 08/2015 04/2003 > 08/2015
-------------------------------------	--	--

Asse Anteriore



Front Axle

0504337

1214271

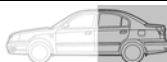
1214274

1214275

0504337



Asse Posteriore



Rear Axle

1214272



OCAP	O.E.			
0504337	7H0411317A	STABILIZZATORE STABILIZER LINK		
1214271	7H0411313	SILENTBLOCK BARRA STABILIZZATRICE STABILIZING BAR BUSHING		DIAM. 21 mm.
1214272	7H5511414	SILENTBLOCK BARRA STABILIZZATRICE STABILIZING BAR BUSHING		DIAM. 23 mm.
1214274	7H5411313B	SILENTBLOCK BARRA STABILIZZATRICE STABILIZING BAR BUSHING		DIAM. 24 mm.
1214275	7H5411313A	SILENTBLOCK BARRA STABILIZZATRICE STABILIZING BAR BUSHING		DIAM. 22 mm.

DESTRO
RIGHT



SINISTRO
LEFT

5

UP

12/2011 >

Asse Anteriore



Front Axle



i 1) VERSIONE RINFORZATA - RENFORCED

OCAP	O.E.		i	
0285574	1S0423812A	TESTA STERZO TIE ROD END		RHT M14x1,5
0295574	1S0423811A	TESTA STERZO TIE ROD END		RHT M14x1,5
0485341	6R0407366	SNODO SOSPENSIONE - INFERIORE BALL JOINT - LOWER		
0495341	6R0407365	SNODO SOSPENSIONE - INFERIORE BALL JOINT - LOWER		
0605574	1S0423810A	SNODO ASSIALE AXIAL JOINT		RHT M14x1,5
0785574	1S0407152	BRACCIO OSCILLANTE - INFERIORE TRACK CONTROL ARM - LOWER		
0785575	1S0407152 *	BRACCIO OSCILLANTE - INFERIORE - COMPLETO COMPLETE TRACK CONTROL ARM - LOWER		
0795574	1S0407151	BRACCIO OSCILLANTE - INFERIORE TRACK CONTROL ARM - LOWER		
0795575	1S0407151 *	BRACCIO OSCILLANTE - INFERIORE - COMPLETO COMPLETE TRACK CONTROL ARM - LOWER		
1211628	1S0423831A	CUFFIA STERZO STEERING GAITER		
1215039	357407182	SILENTBLOCK CENTRALE CENTRAL BUSHING		
1215198	1J0407181	SILENTBLOCK ESTREMO OUTER BUSHING		
1216035	8N0407181B	SILENTBLOCK ESTREMO OUTER BUSHING	1)	

5

DESTRO
RIGHT



SINISTRO
LEFT

UP		12/2011 >
----	--	-----------

Asse Anteriore



Front Axle

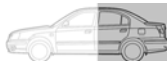
0501390

1214092

0501390



Asse Posteriore



Rear Axle

1216150

1216150



OCAP	O.E.			
0501390	6Q0411315G	STABILIZZATORE STABILIZER LINK		
1214092	6Q0411314P	SILENTBLOCK BARRA STABILIZZATRICE STABILIZING BAR BUSHING		DIAM. 16 mm.
1216150	1S0501541B	SILENTBLOCK BUSHING		

DESTRO
RIGHT

 SINISTRO
LEFT

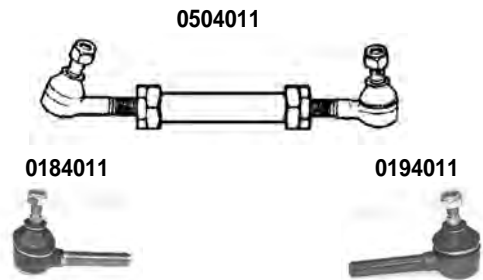
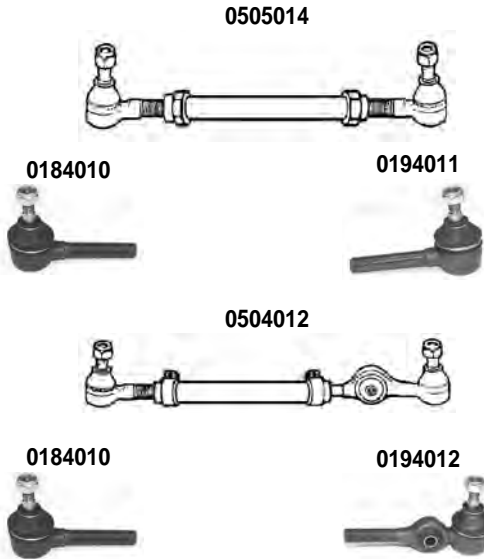
 1200 STANDARD/EXPORT
1200 EXPORT/GHIA

 > 1960
1960 > 1965

Asse Anteriore



Front Axle



i 1) > 1960		2) 1960 >		
OCAP	O.E.		i	
0184010	131415812	TESTA STERZO TIE ROD END		RHT M14x1,5
0184011	113415821	TESTA STERZO TIE ROD END	2)	RHT M14x1,5
0194011	131415811	TESTA STERZO TIE ROD END		LHT M14x1,5
0194012	113415813	TESTA STERZO TIE ROD END	2)	LHT M14x1,5
0504011	131415801B	BARRA STERZO TIE ROD	2)	
0504012	311415802B	BARRA STERZO TIE ROD	2)	
0505014	311415802	BARRA STERZO TIE ROD	1)	

DESTRO
RIGHT



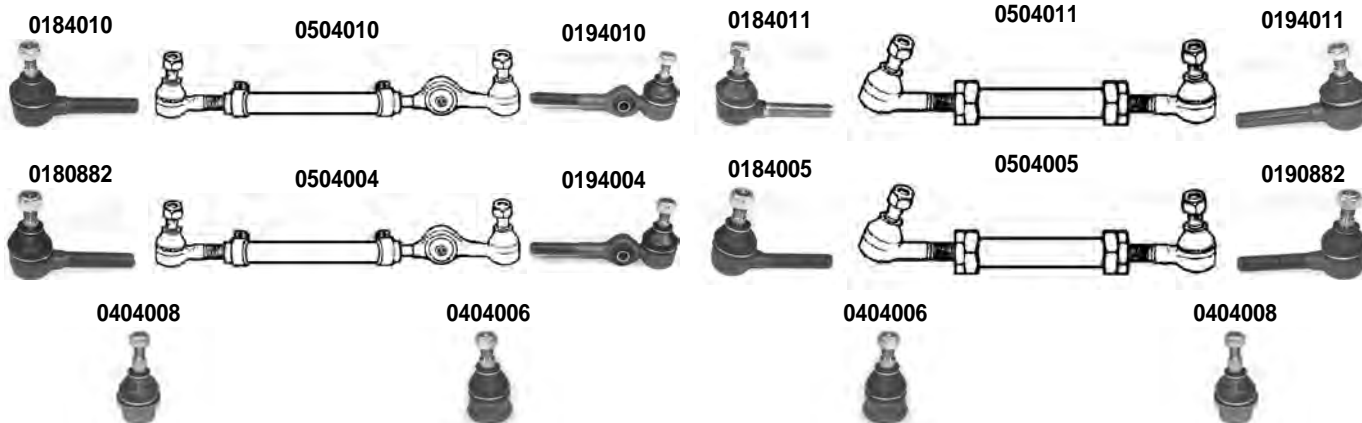
SINISTRO
LEFT

1200 A - 1300 A 1200 - 1300 - 1500	1965 > 1968 1968 >
---------------------------------------	-----------------------

Asse Anteriore



Front Axle



i 1) > 1968	2) 1969 >
--------------------	-----------

OCAP	O.E.		i	
0180882	311415712C	TESTA STERZO TIE ROD END	2)	RHT M14x1,5
0184005	131415821A	TESTA STERZO TIE ROD END	2)	RHT M14x1,5
0184010	131415812	TESTA STERZO TIE ROD END	1)	RHT M14x1,5
0184011	113415821	TESTA STERZO TIE ROD END	1)	RHT M14x1,5
0190882	311415811C	TESTA STERZO TIE ROD END	2)	LHT M14x1,5
0194004	131415813E	TESTA STERZO TIE ROD END	2)	LHT M14x1,5
0194010	113415813D	TESTA STERZO TIE ROD END	1)	LHT M14x1,5
0194011	131415811	TESTA STERZO TIE ROD END	1)	LHT M14x1,5
0404006	131405371G	SNODO SOSPENSIONE - INFERIORE - PRIMO MONTAGGIO SUSPENSION JOINT - LOWER - EARLY		38,3 mm.
0404008	131405361F	SNODO SOSPENSIONE - SUPERIORE - PRIMO MONTAGGIO SUSPENSION JOINT - UPPER - EARLY		38,3 mm.
0504004	131415802F	BARRA STERZO TIE ROD	2)	
0504005	131415801F	BARRA STERZO TIE ROD	2)	
0504010	131415802D	BARRA STERZO TIE ROD	1)	
0504011	131415801B	BARRA STERZO TIE ROD	1)	

DESTRO
RIGHT

 SINISTRO
LEFT

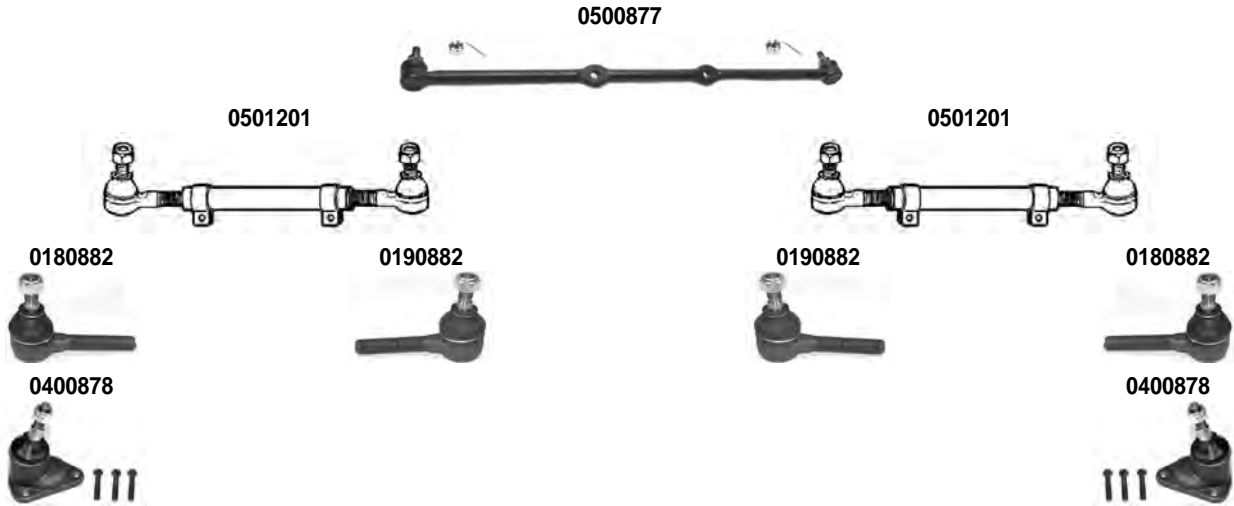
1302 - 1302 S

1970 > 1972

Asse Anteriore



Front Axle



OCAP	O.E.			
0180882	311415812C	TESTA STERZO TIE ROD END		RHT M14x1,5
0190882	311415811C	TESTA STERZO TIE ROD END		LHT M14x1,5
0400878	113407361E	SNODO SOSPENSIONE - INFERIORE SUSPENSION JOINT - LOWER		
0500877	113415303A	BARRA STERZO TIE ROD		
0501201	133415801	BARRA STERZO TIE ROD		

1303 / A / S

DESTRO
RIGHT



SINISTRO
LEFT

1303 / A / S

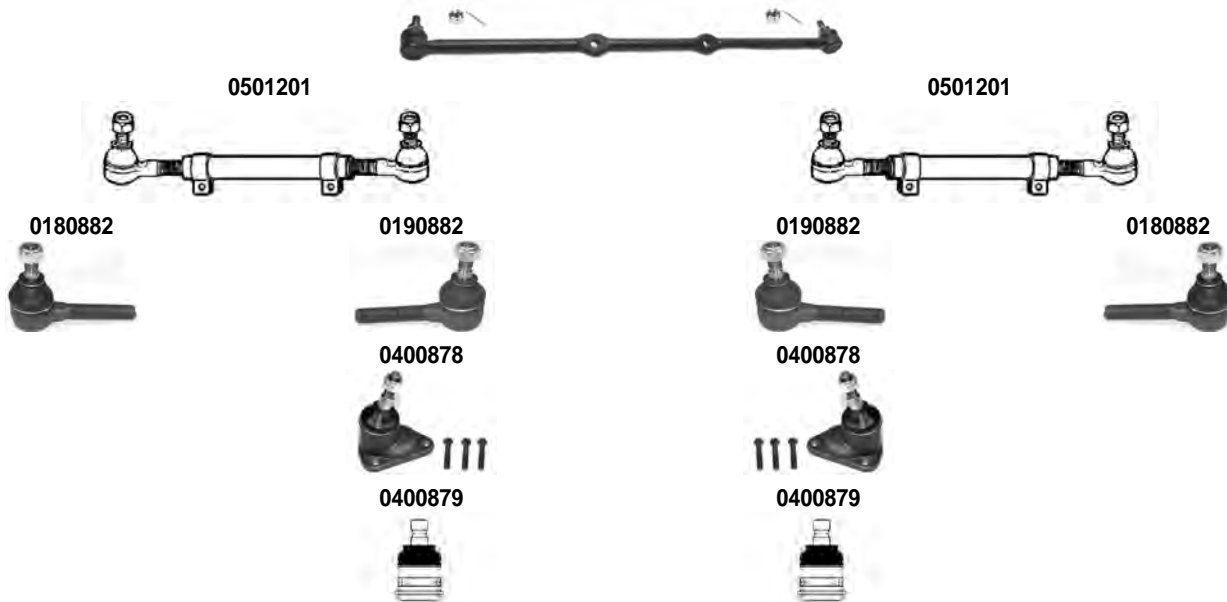
1972 > 1974

Asse Anteriore

Front Axle



0500877



i 1) > CH. 133 32000 000 2) - CH. 134 2000 001 >

OCAP	O.E.		i	
0180882	311415812C	TESTA STERZO TIE ROD END		RHT M14x1,5
0190882	311415811C	TESTA STERZO TIE ROD END		LHT M14x1,5
0400878	113407361E	SNODO SOSPENSIONE - INFERIORE SUSPENSION JOINT - LOWER	1)	
0400879	133407361A	SNODO SOSPENSIONE INFERIORE - PRIMO MONTAGGIO SUSPENSION JOINT - LOWER - EARLY	2)	37,3 mm.
0500877	113415303A	BARRA STERZO TIE ROD		
0501201	133415801	BARRA STERZO TIE ROD		

DESTRO
RIGHT

 SINISTRO
LEFT

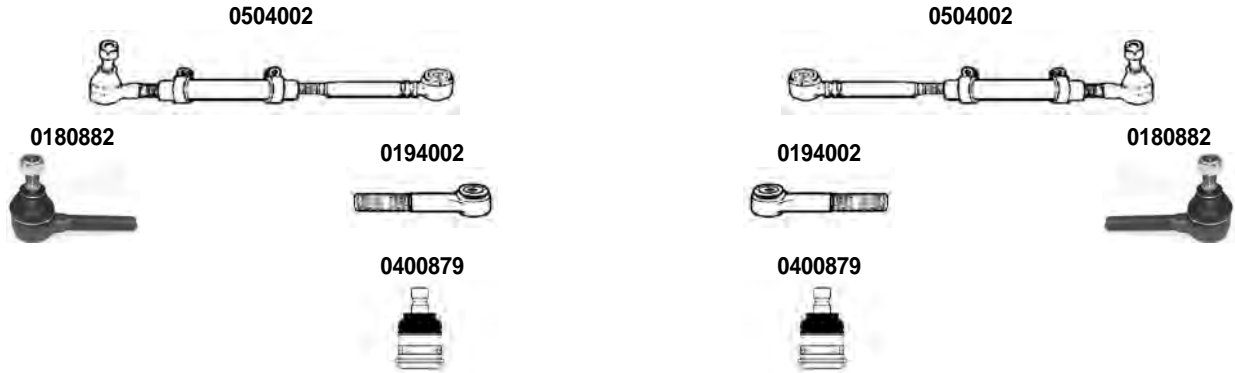
1303 / A / S

1974 > 1980

Asse Anteriore



Front Axle



OCAP	O.E.			
0180882	311415812C	TESTA STERZO TIE ROD END		RHT M14x1,5
0194002	-	TESTA STERZO TIE ROD END		LHT M14x1,5
0400879	133407361A	SNODO SOSPENSIONE INFERIORE - PRIMO MONTAGGIO SUSPENSION JOINT - LOWER - EARLY		37,3 mm.
0504002	133419804A	BARRA STERZO TIE ROD		

1600 L - TL - VARIANT

DESTRO
RIGHT



SINISTRO
LEFT

1600 L - TL - VARIANT



> 07/1967

Asse Anteriore



Front Axle

0505014



0184010



0194011



0194011



0184301



0404304



0404303



0404303



0404304



OCAP	O.E.			
0184010	131415812	TESTA STERZO TIE ROD END		RHT M14x1,5
0184301	311415818	TESTA STERZO TIE ROD END		RHT M14x1,5
0194011	131415811	TESTA STERZO TIE ROD END		LHT M14x1,5
0404303	311405371	SNODO SOSPENSIONE - INFERIORE SUSPENSION JOINT - LOWER		
0404304	311405361B	SNODO SOSPENSIONE - SUPERIORE SUSPENSION JOINT - UPPER		
0505014	311415802	BARRA STERZO TIE ROD		

DESTRO
RIGHT

 SINISTRO
LEFT

1600 L - TL - VARIANT

III

08/1967 >

Asse Anteriore



Front Axle

0180882



0404304

0404303

0190882

0404304

0404303


OCAP	O.E.		
0180882	311415812C	TESTA STERZO <i>TIE ROD END</i>	RHT M14x1,5
0190882	311415811C	TESTA STERZO <i>TIE ROD END</i>	LHT M14x1,5
0404303	311405371C	SNODO SOSPENSIONE - INFERIORE <i>SUSPENSION JOINT - LOWER</i>	
0404304	311405361B	SNODO SOSPENSIONE - SUPERIORE <i>SUSPENSION JOINT - UPPER</i>	

DESTRO
RIGHT

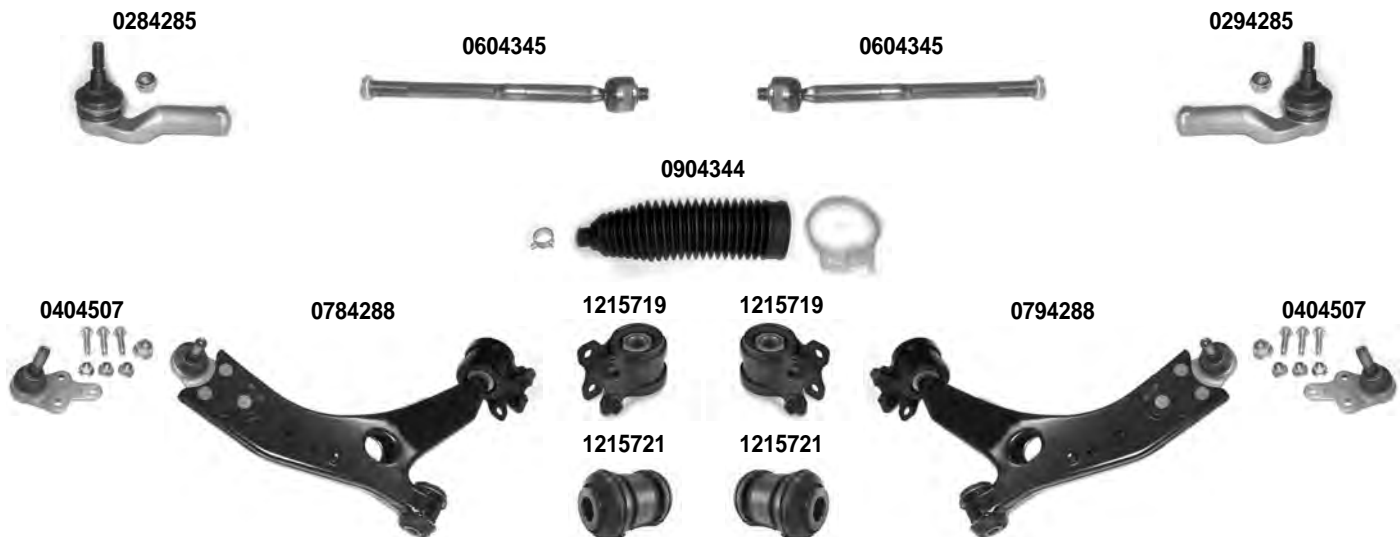


SINISTRO
LEFT

C30	2007 > 2012
-----	-------------

Asse Anteriore

Front Axle



i 1) > C.H. 260

OCAP	O.E.		i	
0284285	31201412	TESTA STERZO TIE ROD END		RHT M16x1,5
0294285	31201413	TESTA STERZO TIE ROD END		RHT M16x1,5
0404507	1234382	SNODO SOSPENSIONE - INFERIORE BALL JOINT - LOWER	1)	
0604345	31201817	SNODO ASSIALE AXIAL JOINT		RHT M16x1,5
0784288	30730830	BRACCIO OSCILLANTE - INFERIORE TRACK CONTROL ARM - LOWER	1)	
0794288	30730831	BRACCIO OSCILLANTE - INFERIORE TRACK CONTROL ARM - LOWER	1)	
0904344	30723085	KIT CUFFIA STERZO STEERING GAITER KIT		
1215719	1488110 *	SILENTBLOCK ESTREMO OUTER BUSHING		
1215721	30714128	SILENTBLOCK CENTRALE CENTRAL BUSHING		

DESTRO
RIGHTSINISTRO
LEFT

C30

2007 > 2012

Asse Anteriore



Front Axle



Asse Posteriore



Rear Axle



i 2) C.H. 261 >

OCAP	O.E.		i	
0403135	31201180 *	SNODO SOSPENSIONE BALL JOINT	2)	DIAM. 21 mm.
0504346	8623576	STABILIZZATORE STABILIZER LINK		
0702739	8671921	BRACCIO SOSPENSIONE SUSPENSION ARM		
0704498	30683067	BRACCIO SOSPENSIONE SUSPENSION ARM		
0783135	31201180	BRACCIO OSCILLANTE TRACK CONTROL ARM	2)	
0793135	31201181	BRACCIO OSCILLANTE TRACK CONTROL ARM	2)	
1215719	1488110 *	SILENTBLOCK ESTREMO OUTER BUSHING		
1215721	1332074 **	SILENTBLOCK CENTRALE CENTRAL BUSHING		
1215883	-	SILENTBLOCK BUSHING		
1216061	30666331	SILENTBLOCK BUSHING		

DESTRO
RIGHT



SINISTRO
LEFT

S40 I - V40	VS	07/1995 > 2000
-------------	----	----------------

Asse Anteriore



Front Axle



OCAP	O.E.			
0283440	30870695	TESTA STERZO TIE ROD END		RHT M12x1,25
0400482	30887033 *	SNODO SOSPENSIONE - INFERIORE BALL JOINT - LOWER		
0500467	30884358	STABILIZZATORE STABILIZER LINK		
0600481	3345797	SNODO ASSIALE AXIAL JOINT		RHT M12x1,25
0780482	30887033	BRACCIO OSCILLANTE - INFERIORE TRACK CONTROL ARM - LOWER		
0790482	30887025	BRACCIO OSCILLANTE - INFERIORE TRACK CONTROL ARM - LOWER		
0900481	3345796	KIT CUFFIE STERZO STEERING GAITER KIT		
1211332	-	CUFFIA STERZO STEERING GAITER		
1215291	30872511	SILENTBLOCK ESTREMO OUTER BUSHING		
1215292	30872510	SILENTBLOCK ESTREMO OUTER BUSHING		
1215293	30818467	SILENTBLOCK CENTRALE CENTRAL BUSHING		

DESTRO
RIGHTSINISTRO
LEFT

S40 I - V40

VS

07/1995 > 2000

Asse Posteriore



Rear Axle

0783506



0783506



0500482



0502738



0502738



0500482



0180466-K



0180466






0180466



0180466-K



OCAP	O.E.			
0180466	30884359	STABILIZZATORE STABILIZER LINK		
0500482	30620785	TIRANTE SOSPENSIONE CROSS ROD		
0502738	30620786	TIRANTE SOSPENSIONE CROSS ROD		
0783506	30818097	BRACCIO SOSPENSIONE SUSPENSION ARM		
0180466-K	30884359 *	KIT STABILIZZATORE STABILIZER LINK KIT		

DESTRO
RIGHT



SINISTRO
LEFT

S40 I - V40	VS	2000 > 12/2003
-------------	----	----------------

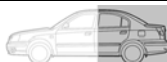
Asse Anteriore



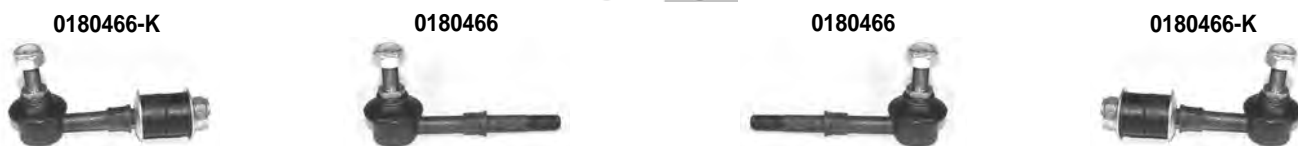
Front Axle



Asse Posteriore



Rear Axle



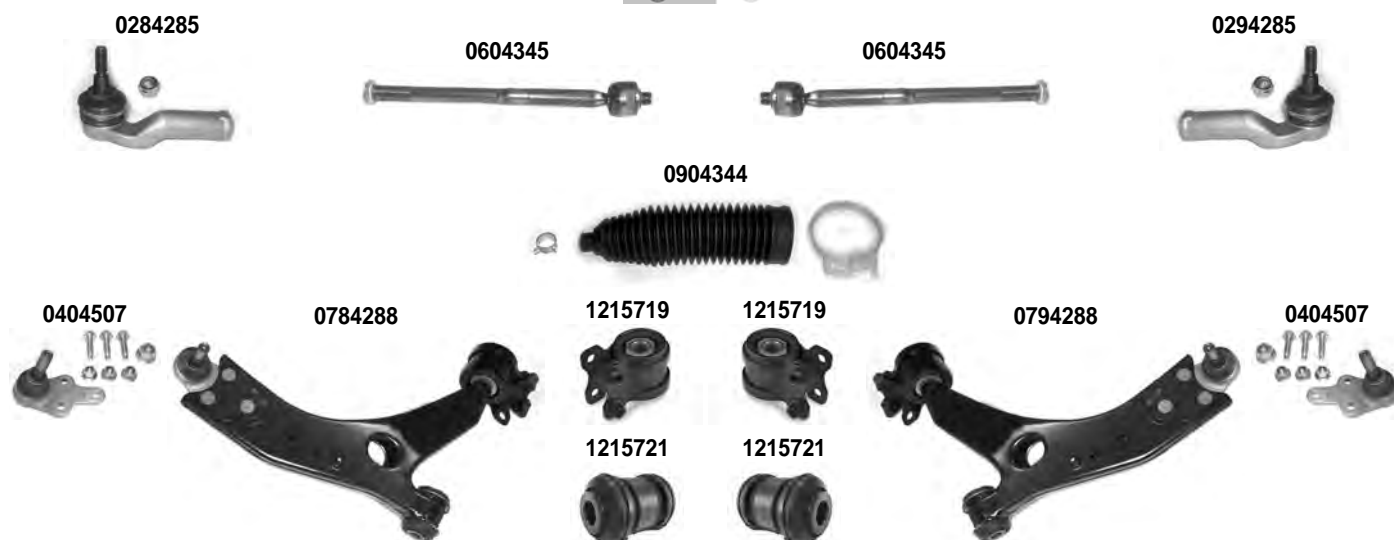
OCAP	O.E.			
0180466	30884359	STABILIZZATORE STABILIZER LINK		
0284477	274226	TESTA STERZO TIE ROD END		RHT M14x1,5
0294477	274225	TESTA STERZO TIE ROD END		RHT M14x1,5
0400482	30887033 *	SNODO SOSPENSIONE - INFERIORE BALL JOINT - LOWER		
0504480	30884179	STABILIZZATORE STABILIZER LINK		
0604478	274224	SNODO ASSIALE AXIAL JOINT		RHT M14x1,5
0784479	30887654	BRACCIO OSCILLANTE - INFERIORE TRACK CONTROL ARM - LOWER		
0794479	30887653	BRACCIO OSCILLANTE - INFERIORE TRACK CONTROL ARM - LOWER		
0904478	3345796	KIT CUFFIA STERZO STEERING GAITER KIT		
1215291	30872511	SILENTBLOCK ESTREMO OUTER BUSHING		
1215292	30872510	SILENTBLOCK ESTREMO OUTER BUSHING		
1215293	30818467	SILENTBLOCK CENTRALE CENTRAL BUSHING		
0180466-K	30884359 *	KIT STABILIZZATORE STABILIZER LINK KIT		

DESTRO
RIGHTSINISTRO
LEFTS40 II
V50
C70MS
MW
II2004 >
2004 > 2012
03/2006 > 2013

Asse Anteriore



Front Axle



i 1) S40: > C.H. 209290 - V50: > C.H. 214682 - C70: > C.H.002742

OCAP	O.E.		i	
0284285	31201412	TESTA STERZO TIE ROD END		RHT M16x1,5
0294285	31201413	TESTA STERZO TIE ROD END		RHT M16x1,5
0404507	1234382	SNODO SOSPENSIONE - INFERIORE BALL JOINT - LOWER	1)	
0604345	31201817	SNODO ASSIALE AXIAL JOINT		RHT M16x1,5
0784288	30730830	BRACCIO OSCILLANTE - INFERIORE TRACK CONTROL ARM - LOWER	1)	
0794288	30730831	BRACCIO OSCILLANTE - INFERIORE TRACK CONTROL ARM - LOWER	1)	
0904344	30723085	KIT CUFFIA STERZO STEERING GAITER KIT		
1215719	1488110 *	SILENTBLOCK ESTREMO OUTER BUSHING		
1215721	30714128	SILENTBLOCK CENTRALE CENTRAL BUSHING		

DESTRO
RIGHT



SINISTRO
LEFT

S40 II V50 C70	MS MW II	2004 > 2004 > 2012 03/2006 > 2013
----------------------	----------------	---

Asse Anteriore



Front Axle



i 2) S40: C.H. 209291 > - V50: C.H. 214683 > - C70: C.H. 002743 >

OCAP	O.E.		i	
0403135	31201180 *	SNODO SOSPENSIONE BALL JOINT	2)	DIAM. 21 mm.
0504346	8623576	STABILIZZATORE STABILIZER LINK		
0783135	31201180	BRACCIO OSCILLANTE TRACK CONTROL ARM	2)	
0793135	31201181	BRACCIO OSCILLANTE TRACK CONTROL ARM	2)	
1215719	1488110 *	SILENTBLOCK ESTREMO OUTER BUSHING	2)	
1215721	1332074 **	SILENTBLOCK CENTRALE CENTRAL BUSHING	2)	

DESTRO
RIGHTSINISTRO
LEFT

S40 II V50 C70	MS MW II	2004 > 2004 > 2012 03/2006 > 2013
----------------------	----------------	---

Asse Posteriore



Rear Axle

**i** 3) ECCECETTO - EXCEPT: MOD. C70

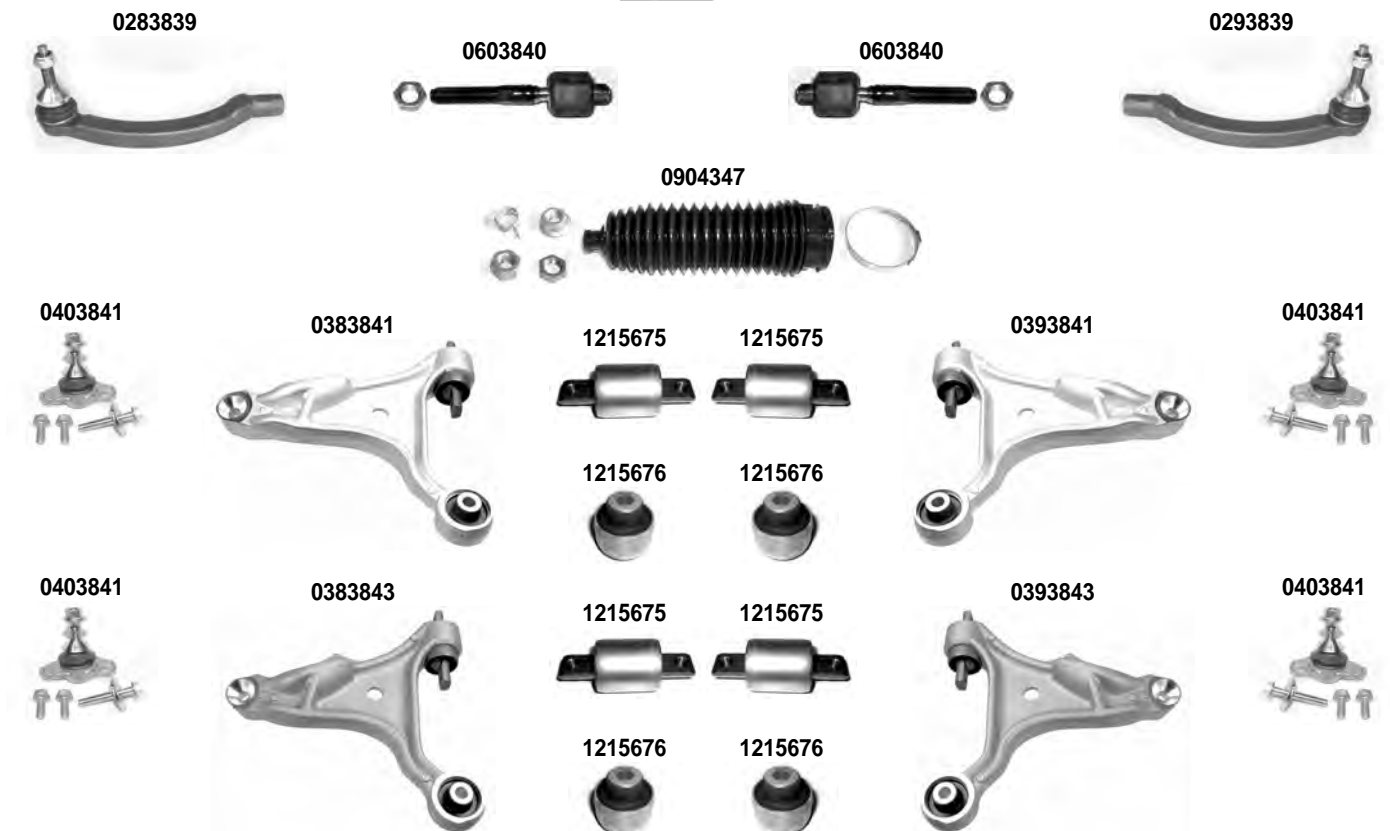
OCAP	O.E.		i	
0504290	30683232	STABILIZZATORE STABILIZER LINK	3)	
0702739	8671921	BRACCIO SOSPENSIONE SUSPENSION ARM	3)	
0704498	30683067	BRACCIO SOSPENSIONE SUSPENSION ARM		
1214241	30714683	SILENTBLOCK BARRA STABILIZZATRICE STABILIZING BAR BUSHING		DIAM. 16 mm.
1215883	-	SILENTBLOCK BUSHING		
1216061	30666331	SILENTBLOCK BUSHING		



S60 S80 I V70 II	I TS-XY SW	2000 > 04/2010 1998 > 2006 03/2000 > 08/2007
------------------------	------------------	--

Asse Anteriore

Front Axle



<p>i 1) TUTTI I MODELLI - ALL MODELS - : MOD. S70 FC1 > CH. 1647149 - FC2 > CH. 2645618 - S60 > CH. 626502 3) > 2006 - MOD. V70 FC1 > CH. 1647149 - FC2 > CH. 2645618 - MOD. S60 > CH. 626502 - ECCEPPO - EXCEPT S80</p>	<p>2) SOLO PER - ONLY FOR: MOD. S80 6) TUTTI I MODELLI - ALL MODELS: ZF - SOLO S80 - ONLY S80: 01/2000 ></p>
---	--

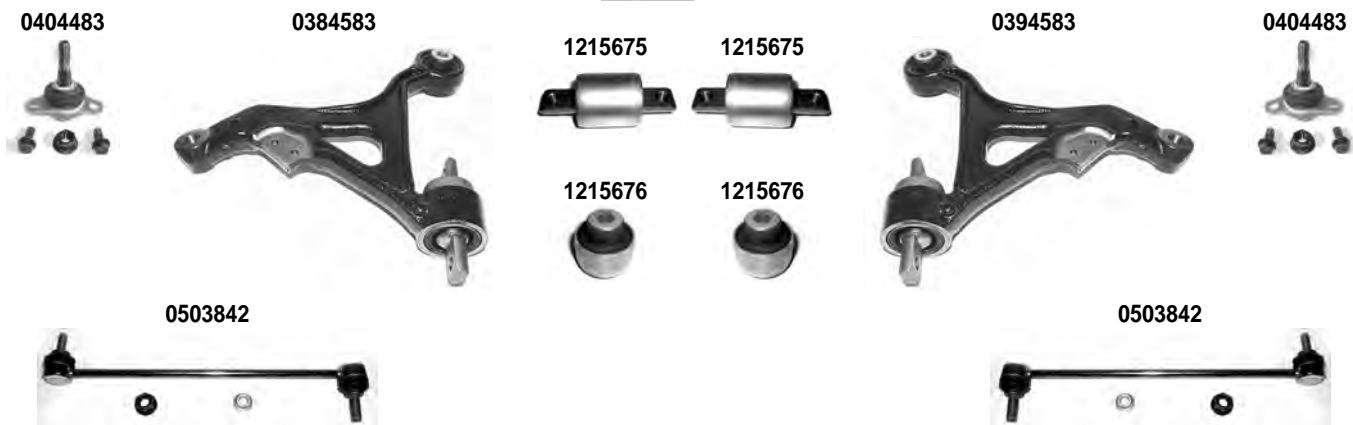
OCAP	O.E.		i	
0283839	274176	TESTA STERZO TIE ROD END		RHT M14x1,5
0293839	274175	TESTA STERZO TIE ROD END		RHT M14x1,5
0383841	30635228	BRACCIO OSCILLANTE - INFERIORE - ALLUMINIO TRACK CONTROL ARM - LOWER - ALUMINIUM	2)	
0383843	30635230	BRACCIO OSCILLANTE - INFERIORE - ALLUMINIO TRACK CONTROL ARM - LOWER - ALUMINIUM	3)	
0393841	30635227	BRACCIO OSCILLANTE - INFERIORE - ALLUMINIO TRACK CONTROL ARM - LOWER - ALUMINIUM	2)	
0393843	30635229	BRACCIO OSCILLANTE - INFERIORE - ALLUMINIO TRACK CONTROL ARM - LOWER - ALUMINIUM	3)	
0403841	274548	SNODO SOSPENSIONE - INFERIORE BALL JOINT - LOWER	1)	
0603840	274353	SNODO ASSIALE AXIAL JOINT	6)	RHT M14x1,5
0904347	272418	KIT CUFFIA STERZO STEERING GAITER KIT		
1215675	9443882	SILENTBLOCK CENTRALE CENTRAL BUSHING		
1215676	8630604	SILENTBLOCK ESTREMO OUTER BUSHING		

DESTRO
RIGHTSINISTRO
LEFTS60
S80 I
V70 III
TS-XY
SW2000 > 04/2010
1998 > 2006
03/2000 > 08/2007

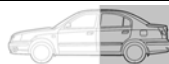
Asse Anteriore



Front Axle



Asse Posteriore



Rear Axle



i 4) TUTTI I MODELLI - ALL MODELS: MOD. S70 FC1 CH. 1647149 > - FC2 CH. 2645618 > - S60 CH. 626502 > 5) 2007 > - MOD. V70 FC1:CH. 1647149 > - FC2 CH. 2645618 > - MOD. S60: CH626502 > - ECCEPPO S80

OCAP	O.E.		i	
0384583	30760587	BRACCIO OSCILLANTE - INFERIORE - GHISA TRACK CONTROL ARM - LOWER - CAST IRON	5)	
0394583	30760586	BRACCIO OSCILLANTE - INFERIORE - GHISA TRACK CONTROL ARM - LOWER - CAST IRON	5)	
0404483	31201485	SNODO SOSPENSIONE - INFERIORE BALL JOINT - LOWER	4)	
0503842	30714685	STABILIZZATORE STABILIZER LINK		
0503879	30714678	STABILIZZATORE STABILIZER LINK		
1215675	9443882	SILENTBLOCK CENTRALE CENTRAL BUSHING		
1215676	8630604	SILENTBLOCK ESTREMO OUTER BUSHING		

DESTRO
RIGHT



SINISTRO
LEFT

S60 S80 II V60 V70 III	II AS I BW	04/2010 > 2018 03/2006 > 09/2010 > 2016 08/2007 > 2016
---------------------------------	---------------------	---

Asse Anteriore



Front Axle



i 1) S60: > CH. 75999 - S80: > CH. 151013 - V60: > CH. 35000 - V70: > CH. 213026

OCAP	O.E.		i	
0282490	31302345	TESTA STERZO TIE ROD END		RHT M18x1,5
0292490	31302344	TESTA STERZO TIE ROD END		RHT M18x1,5
0402492	31200775 *	SNODO SOSPENSIONE - INFERIORE BALL JOINT - LOWER	1)	
0602491	30776250	SNODO ASSIALE AXIAL JOINT		RHT M18x1,5
0782492	31200775	BRACCIO OSCILLANTE - INFERIORE TRACK CONTROL ARM - LOWER	1)	
0792492	31200776	BRACCIO OSCILLANTE - INFERIORE TRACK CONTROL ARM - LOWER	1)	
0902491	30776251	KIT CUFFIA STERZO STEERING GAITER KIT		
1215802	-	SILENTBLOCK ESTREMO OUTER BUSHING		
1215803	-	SILENTBLOCK ESTREMO OUTER BUSHING		
1215804	-	SILENTBLOCK CENTRALE CENTRAL BUSHING		

DESTRO
RIGHT

 SINISTRO
LEFT

S60 S80 II V60 V70 III	II AS I BW	04/2010 > 2018 03/2006 > 09/2010 > 2016 08/2007 > 2016
---------------------------------	---------------------	---

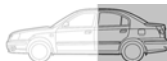
Asse Anteriore



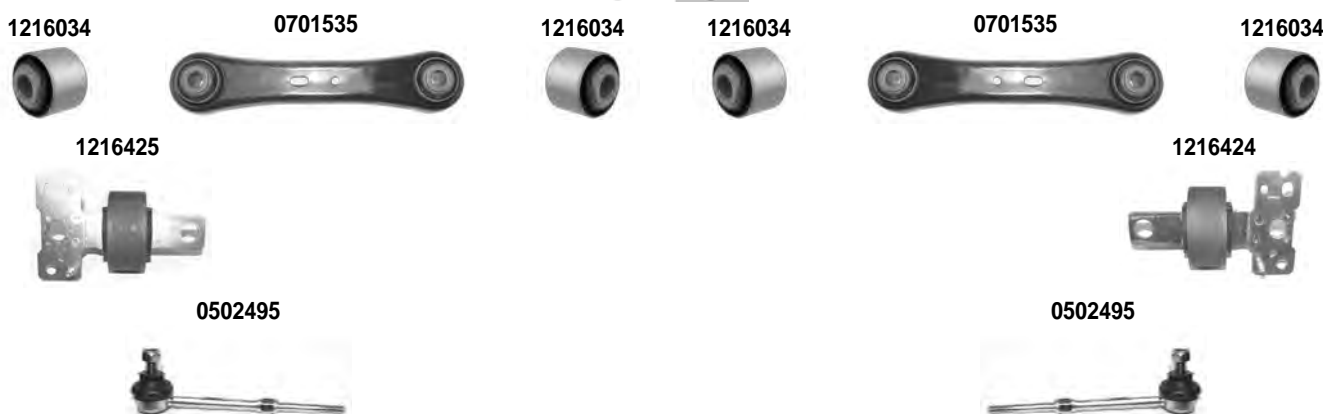
Front Axle



Asse Posteriore



Rear Axle



i 2) S60: CH. 76000 > - S80: CH. 151014 > - V60: CH. 15001 > - V70: CH. 213027 >

OCAP	O.E.		i	
0388523	31429320	BRACCIO OSCILLANTE - INFERIORE TRACK CONTROL ARM - LOWER	2)	
0398523	31429321	BRACCIO OSCILLANTE - INFERIORE TRACK CONTROL ARM - LOWER	2)	
0502495	30760678	STABILIZZATORE STABILIZER LINK		
0502550	30648641	STABILIZZATORE STABILIZER LINK		
0701535	31262930	BRACCIO OSCILLANTE CONTROL ARM		
1215802	-	SILENTBLOCK ESTREMO OUTER BUSHING		
1215803	-	SILENTBLOCK ESTREMO OUTER BUSHING		
1215804	-	SILENTBLOCK CENTRALE CENTRAL BUSHING		
1216034	31262930 *	SILENTBLOCK BUSHING		
1216424	2040702	SILENTBLOCK BUSHING		
1216425	2040703	SILENTBLOCK BUSHING		

S70

DESTRO
RIGHT



SINISTRO
LEFT

S70 V70 C70	LS LV I	1996 > 2000 1996 > 05/2000 1997 > 2005
-------------------	---------------	--

Asse Anteriore

Front Axle



i 1) SOLO PER - ONLY FOR: MOD. S70 > CH. 572014 - MOD. V70 > CH. 549830 - MOD. C70 > MARKET N. 4 2) SOLO PER - ONLY FOR: MOD. S70 -CH. 572015 > - MOD. V70 - CH. 549831 > - MOD. C70 - MARKET N. 5 >

OCAP	O.E.		i	
0283025	271599	TESTA STERZO TIE ROD END		RHT M14x2
0293025	271598	TESTA STERZO TIE ROD END		RHT M14x2
0603026	3546266	SNODO ASSIALE AXIAL JOINT	1)	RHT M14x2
0603136	-	SNODO ASSIALE AXIAL JOINT	2)	
0903032	271601	KIT CUFFIA STERZO STEERING GAITER KIT	1)	
0903136	9191410	KIT SNODO ASSIALE AXIAL JOINT KIT	2)	
1211333	-	CUFFIA STERZO STEERING GAITER	1)	
1211580	-	CUFFIA STERZO STEERING GAITER	2)	

DESTRO
RIGHT

 SINISTRO
LEFT

 S70
V70
C70

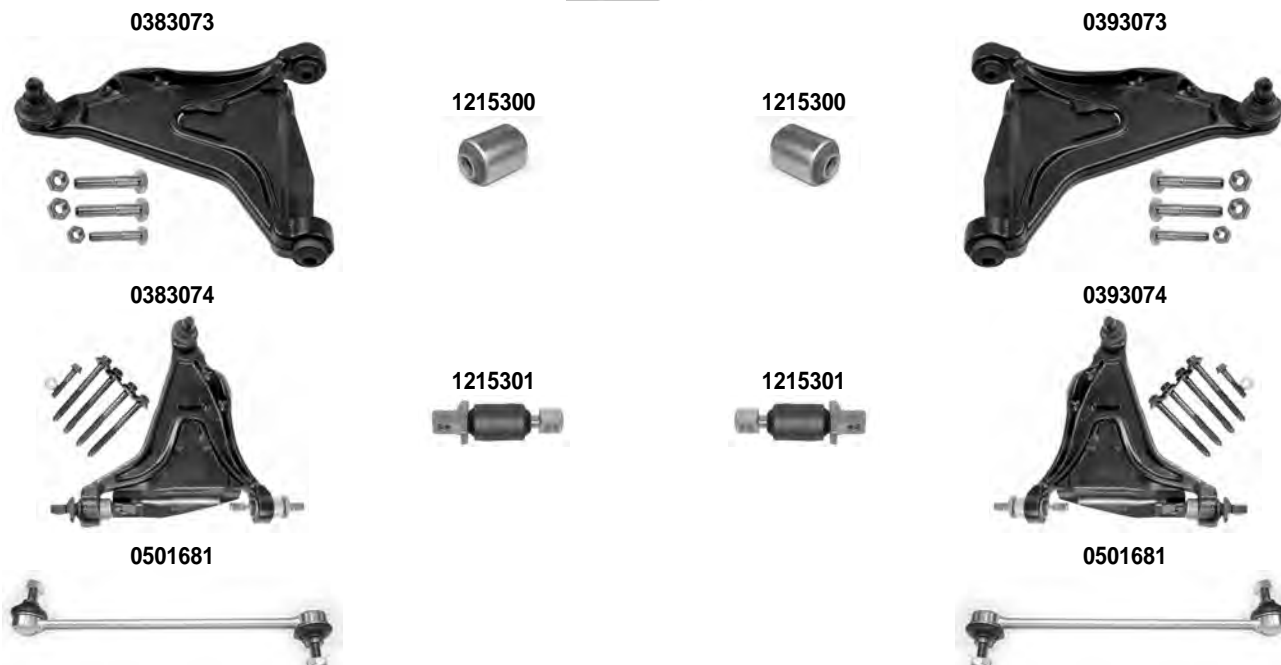
 LS
LV
I

 1996 > 2000
1996 > 05/2000
1997 > 2005

Asse Anteriore



Front Axle



3) ECCETTO - EXCEPT: MOD. TURBO - DIESEL		4) SOLO PER - ONLY FOR: MOD. TURBO - DIESEL	
OCAP	O.E.		
0383073	271902	BRACCIO OSCILLANTE - INFERIORE TRACK CONTROL ARM - LOWER	3)
0383074	9492917	BRACCIO OSCILLANTE - INFERIORE TRACK CONTROL ARM - LOWER	4)
0393073	271901	BRACCIO OSCILLANTE - INFERIORE TRACK CONTROL ARM - LOWER	3)
0393074	9492916	BRACCIO OSCILLANTE - INFERIORE TRACK CONTROL ARM - LOWER	4)
0501681	8628703	STABILIZZATORE STABILIZER LINK	
1215300	-	SILENTBLOCK BUSHING	3)
1215301	-	SILENTBLOCK BUSHING	4)

DESTRO
RIGHT



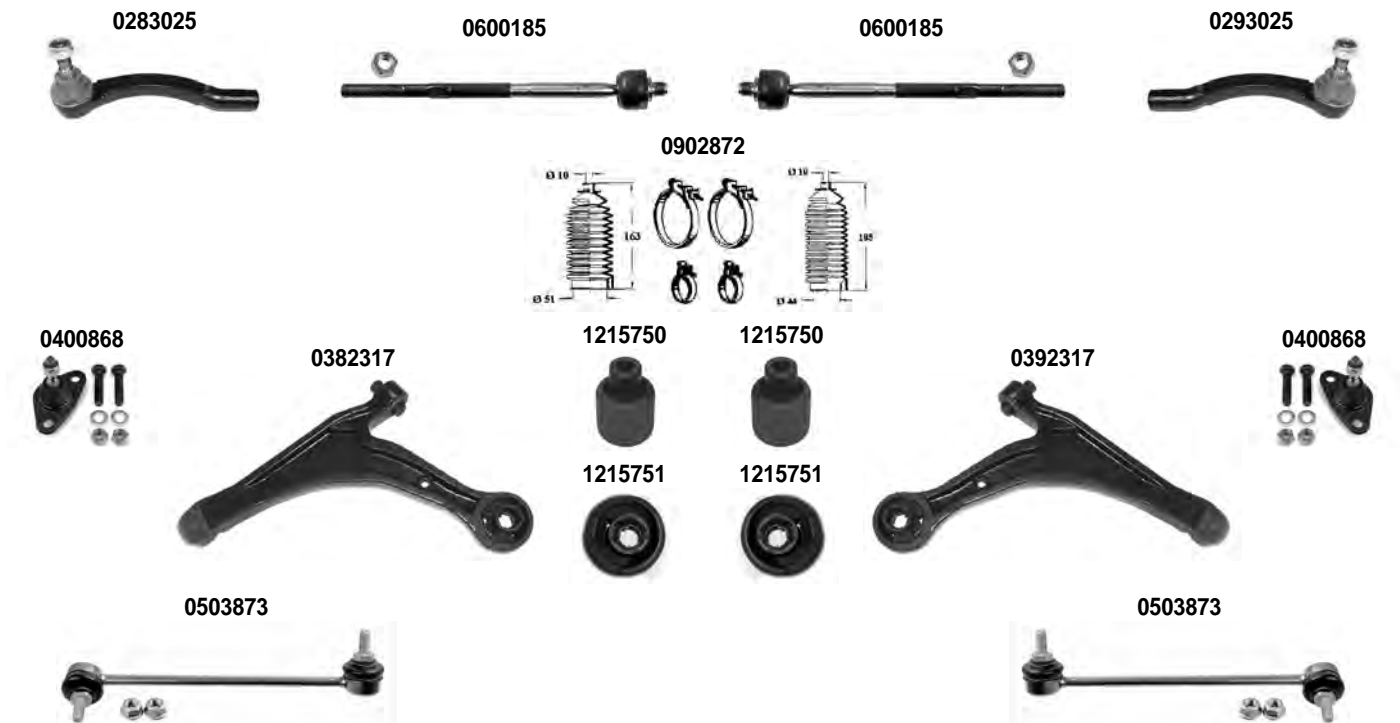
SINISTRO
LEFT

S90 - V90	1997 > 1998
-----------	-------------

Asse Anteriore



Front Axle



i 1) SERVOSTERZO - POWER STEERING

OCAP	O.E.		i	
0283025	271599	TESTA STERZO TIE ROD END		RHT M14x2
0293025	271598	TESTA STERZO TIE ROD END		RHT M14x2
0382317	274452	BRACCIO OSCILLANTE - GHISA TRACK CONTROL ARM - CAST IRON		
0392317	272340	BRACCIO OSCILLANTE - GHISA TRACK CONTROL ARM - CAST IRON		
0400868	1270477	SNODO SOSPENSIONE - INFERIORE BALL JOINT - LOWER		
0503873	272991	STABILIZZATORE STABILIZER LINK		
0600185	1387463	SNODO ASSIALE AXIAL JOINT		RHT M14x2
0902872	270597	KIT CUFFIE STERZO STEERING GAITER KIT	1)	
1215750	6819537	SILENTBLOCK CENTRALE CENTRAL BUSHING		
1215751	1272306	SILENTBLOCK ESTREMO OUTER BUSHING		

DESTRO
RIGHTSINISTRO
LEFT

XC70

1998 > 08/2007

Asse Anteriore



Front Axle



Asse Posteriore



Rear Axle



OCAP	O.E.			
0284347	274192	TESTA STERZO TIE ROD END		RHT M14x1,5
0294347	274191	TESTA STERZO TIE ROD END		RHT M14x1,5
0384348	8649546	BRACCIO OSCILLANTE - INFERIORE - ALLUMINIO TRACK CONTROL ARM - LOWER - ALUMINIUM		
0394348	8649545	BRACCIO OSCILLANTE - INFERIORE - ALLUMINIO TRACK CONTROL ARM - LOWER - ALUMINIUM		
0403841	274548	SNODO SOSPENSIONE - INFERIORE BALL JOINT - LOWER		
0503842	30714685	STABILIZZATORE STABILIZER LINK		
0503879	30714678	STABILIZZATORE STABILIZER LINK		
0603840	274353	SNODO ASSIALE AXIAL JOINT		RHT M14x1,5
0904347	272418	KIT CUFFIA STERZO STEERING GAITER KIT		
1215675	9443882	SILENTBLOCK BUSHING		
1215739	8630605	SILENTBLOCK BUSHING		

DESTRO
RIGHT



SINISTRO
LEFT

XC60 XC70	I II	05/2008 > 08/2007 >
--------------	---------	------------------------

Asse Anteriore



Front Axle



i 1) SOLO PER - ONLY FOR: MOD. XC60	2) SOLO PER - ONLY FOR: MOD. XC70
--	-----------------------------------

OCAP	O.E.		i	
0282490	31302345	TESTA STERZO TIE ROD END		RHT M18x1,5
0292490	31302344	TESTA STERZO TIE ROD END		RHT M18x1,5
0408089	31277526 *	SNODO SOSPENSIONE - INFERIORE BALL JOINT - LOWER	1)	
0602491	30776250	SNODO ASSIALE AXIAL JOINT	2)	RHT M18x1,5
0608089	31280408	SNODO ASSIALE AXIAL JOINT	1)	RHT M18x1,5
0788089	31277526	BRACCIO OSCILLANTE - INFERIORE TRACK CONTROL ARM - LOWER	1)	
0798089	31277525	BRACCIO OSCILLANTE - INFERIORE TRACK CONTROL ARM - LOWER	1)	
0902491	30776251	KIT CUFFIA STERZO STEERING GAITER KIT		
1215802	-	SILENTBLOCK ESTREMO OUTER BUSHING		
1215803	-	SILENTBLOCK ESTREMO OUTER BUSHING		
1215804	-	SILENTBLOCK CENTRALE CENTRAL BUSHING		

DESTRO
RIGHTSINISTRO
LEFTXC60
XC70I
II05/2008 >
08/2007 >

Asse Anteriore



Front Axle

0408090



0788090



1215802



1215803



1215804



1215804



0798090



0408090



0502550



0502550



Asse Posteriore



Rear Axle

0502495



0502495



i 2) SOLO PER - ONLY FOR: MOD. XC70

OCAP	O.E.		i	
0408090	30683249 *	SNODO SOSPENSIONE - INFERIORE BALL JOINT - LOWER	2)	
0502495	30760678	STABILIZZATORE STABILIZER LINK		
0502550	30648641	STABILIZZATORE STABILIZER LINK		
0788090	31317664	BRACCIO OSCILLANTE - INFERIORE TRACK CONTROL ARM - LOWER	2)	
0798090	31317663	BRACCIO OSCILLANTE - INFERIORE TRACK CONTROL ARM - LOWER	2)	
1215802	-	SILENTBLOCK ESTREMO OUTER BUSHING		
1215803	-	SILENTBLOCK ESTREMO OUTER BUSHING		
1215804	-	SILENTBLOCK CENTRALE CENTRAL BUSHING		

DESTRO
RIGHT



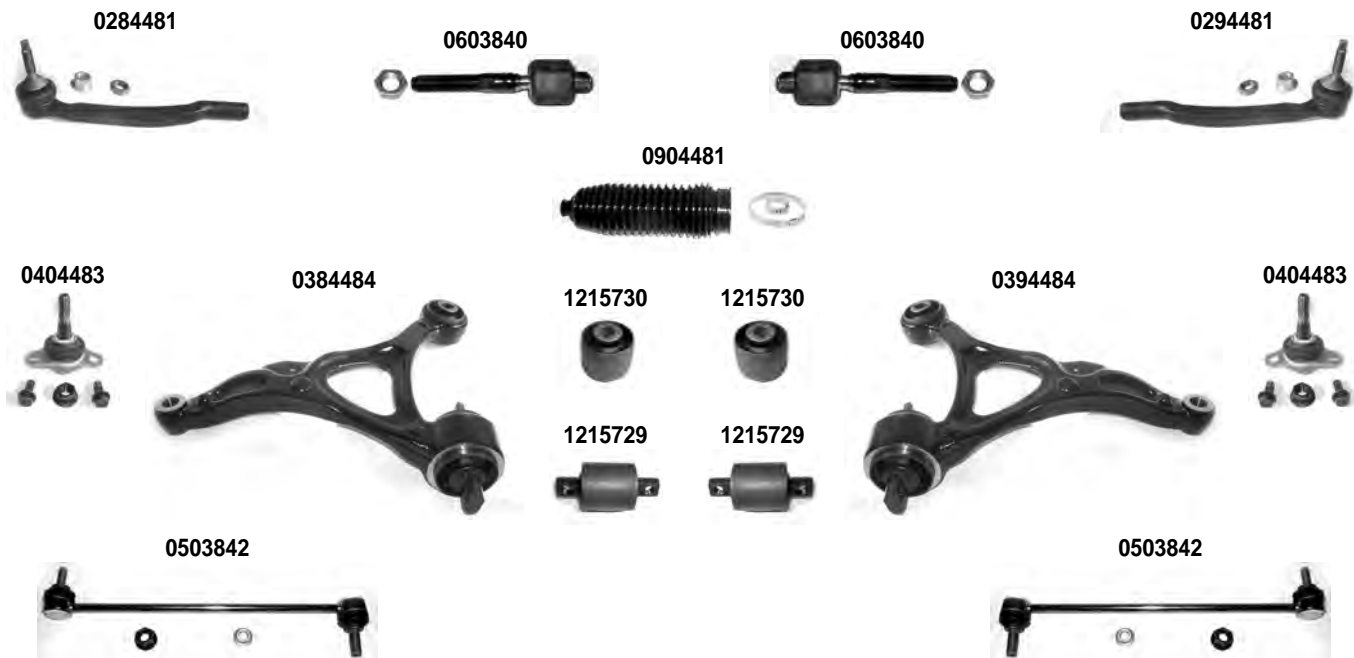
SINISTRO
LEFT

XC90		2002 > 2014
------	--	-------------

Asse Anteriore



Front Axle



Asse Posteriore



Rear Axle



OCAP	O.E.			
0284481	31201229	TESTA STERZO TIE ROD END		RHT M14x1,5
0294481	31201228	TESTA STERZO TIE ROD END		RHT M14x1,5
0384484	30645846	BRACCIO OSCILLANTE - INFERIORE - GHISA TRACK CONTROL ARM - LOWER - CAST IRON		
0394484	30645845	BRACCIO OSCILLANTE - INFERIORE - GHISA TRACK CONTROL ARM - LOWER - CAST IRON		
0404483	31201485	SNODO SOSPENSIONE - INFERIORE BALL JOINT - LOWER		
0503842	30714685	STABILIZZATORE STABILIZER LINK		
0503879	30714678	STABILIZZATORE STABILIZER LINK		
0603840	274353	SNODO ASSIALE AXIAL JOINT		RHT M14x1,5
0904481	274354	KIT CUFFIA STERZO STEERING GAITER KIT		
1215729	30639368	SILENTBLOCK BUSHING		
1215730	30645847	SILENTBLOCK BUSHING		

DESTRO
RIGHTSINISTRO
LEFT

142 - 144 - 145 - 146

140

1967 > 1974

Asse Anteriore



Front Axle

0182604



0192604



0182605



0192605



0582602



0592602



0582603



0592603



0402606



0402606



0402608



0402608

1) > 08/1968
3) > 02/1969

2) 09/1968 >

OCAP	O.E.		
0182604	677112	TESTA STERZO TIE ROD END	1) RHT M14x1,5
0182605	679291	TESTA STERZO TIE ROD END	2) RHT M14x1,5
0192604	677111	TESTA STERZO TIE ROD END	1) LHT M14x1,5
0192605	679290	TESTA STERZO TIE ROD END	2) LHT M14x1,5
0402606	686397	SNODO SOSPENSIONE - SUPERIORE BALL JOINT - UPPER	3)
0402608	683303	SNODO SOSPENSIONE - INFERIORE BALL JOINT - LOWER	
0582602	675296	BARRA STERZO TIE ROD	1)
0582603	678932	BARRA STERZO TIE ROD	2)
0592602	675295	BARRA STERZO TIE ROD	1)
0592603	678931	BARRA STERZO TIE ROD	2)

DESTRO
RIGHT



SINISTRO
LEFT

242 - 244 - 245 - 264 - 265

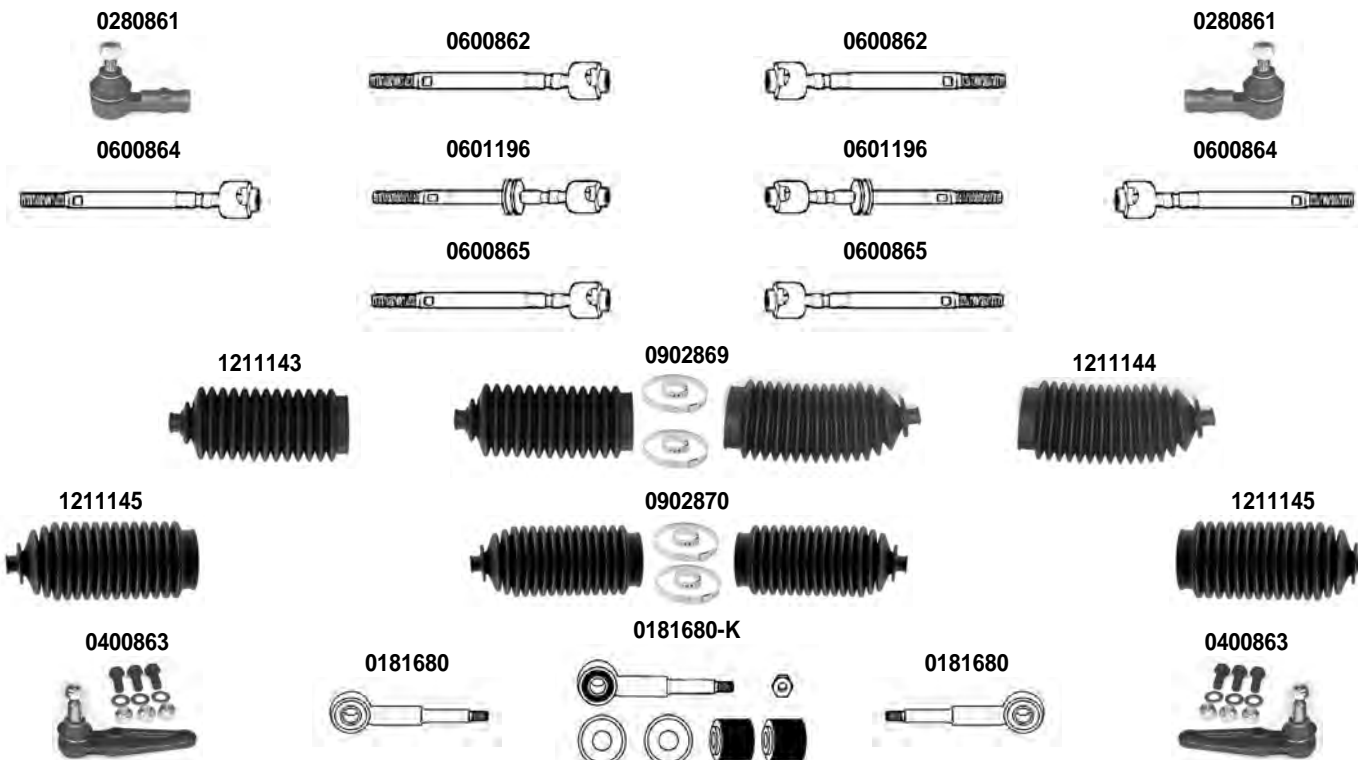
240 - 260

1974 > 1978

Asse Anteriore



Front Axle



i 1) STERZO MANUALE - MANUAL STEERING
 2) SERVOSTERZO - POWER STEERING
 3) ZF
 4) ULTIMA SERIE - LAST SERIES

OCAP	O.E.		i	
0181680	1206667	PUNTONE BARRA STABILIZZATRICE STABILIZER LINK		
0280861	3516944	TESTA STERZO TIE ROD END		RHT M14x2
0400863	274117	SNODO SOSPENSIONE - INFERIORE BALL JOINT - LOWER		
0600862	1205659	SNODO ASSIALE AXIAL JOINT	1)	RHT M14x2
0600864	1205666	SNODO ASSIALE AXIAL JOINT	2)	RHT M14x2
0600865	1272947	SNODO ASSIALE AXIAL JOINT	2) 4)	RHT M14x2
0601196	3530167	SNODO ASSIALE AXIAL JOINT	2) 3)	RHT M14x2
0902869	-	KIT CUFFIA STERZO STEERING GAITER KIT	1)	
0902870	-	KIT CUFFIA STERZO STEERING GAITER KIT	2)	
1211143	1205653	CUFFIA STERZO STEERING GAITER	1)	
1211144	1205652	CUFFIA STERZO STEERING GAITER	1)	
1211145	1205662	CUFFIA STERZO STEERING GAITER	2)	
0181680-K	1206667 *	KIT PUNTONE BARRA STABILIZZATRICE STABILIZER LINK KIT		

DESTRO
RIGHTSINISTRO
LEFT

242 - 244 - 245 - 264 - 265

240 - 260

1979 >

Asse Anteriore

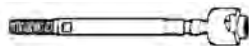


Front Axle

0280861



0600862



0600862



0280861



0601196



0600865



0600865



0601196



0600464



0600464



1211146



0902871



1211146



1211147



0902872



1211148



i 1) STERZO MANUALE - MANUAL STEERING
3) 1980 > 1984
5) ZF

2) SERVOSTERZO - POWER STEERING
4) 1985 > 1993
6) SCATOLA STERZO - STEERING BOX: 1329999

OCAP	O.E.		i	
0280861	3516944	TESTA STERZO TIE ROD END		RHT M14x2
0600464	9140505	SNODO ASSIALE AXIAL JOINT	2) 4)	RHT M14x2
0600862	1205659	SNODO ASSIALE AXIAL JOINT	1)	RHT M14x2
0600865	1272947	SNODO ASSIALE AXIAL JOINT	2) 3)	RHT M14x2
0601196	3530167	SNODO ASSIALE AXIAL JOINT	2) 5)	RHT M14x2
0902871	-	KIT CUFFIA STERZO STEERING GAITER KIT	1)	
0902872	270597	KIT CUFFIE STERZO STEERING GAITER KIT	2) 6)	
1211146	1228425	CUFFIA STERZO STEERING GAITER	1)	
1211147	1272925	CUFFIA STERZO STEERING GAITER	2) 6)	
1211148	1272924	CUFFIA STERZO STEERING GAITER	2) 6)	

242 - 244 - 245 - 264 - 265

DESTRO
RIGHT



SINISTRO
LEFT

242 - 244 - 245 - 264 - 265

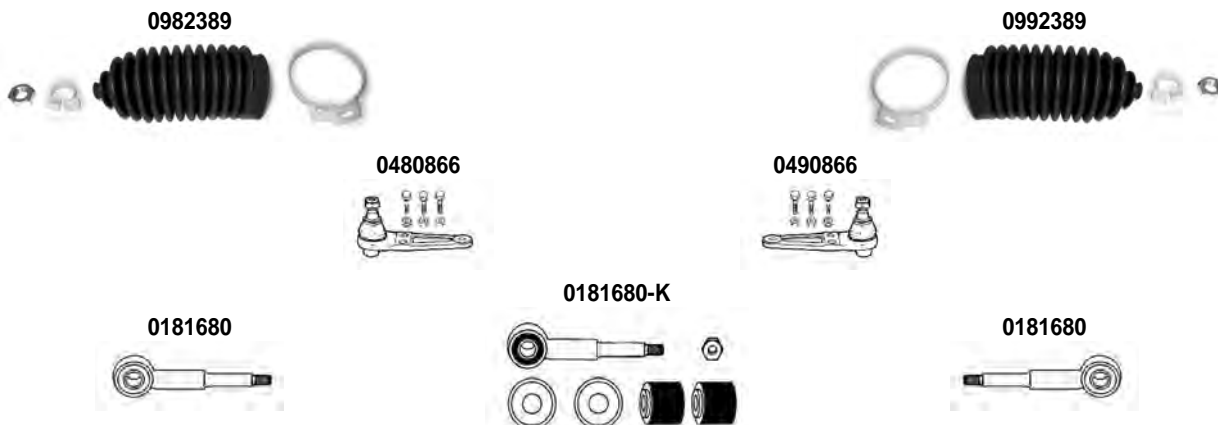
240 - 260

1979 >

Asse Anteriore



Front Axle



i 2) SERVOSTERZO - POWER STEERING 7) SCATOLE STERZO- STEERING BOXES: 1329694 - 1329998

OCAP	O.E.		i	
0181680	1206667	PUNTONE BARRA STABILIZZATRICE STABILIZER LINK		
0480866	274119	SNODO SOSPENSIONE - INFERIORE BALL JOINT - LOWER	2)	
0490866	274118	SNODO SOSPENSIONE - INFERIORE BALL JOINT - LOWER	2)	
0982389	270882	KIT CUFFIA STERZO STEERING GAITER KIT	7)	
0992389	270881	KIT CUFFIA STERZO STEERING GAITER KIT	7)	
0181680-K	1206667 *	KIT PUNTONE BARRA STABILIZZATRICE STABILIZER LINK KIT		

DESTRO
RIGHT

 SINISTRO
LEFT

343 - 344 - 345

340-360

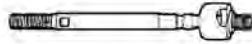
1976 >

Asse Anteriore

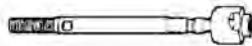
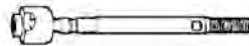


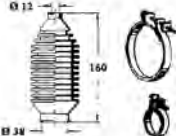
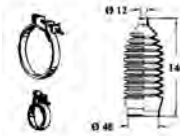
Front Axle

0280037

0600859

0600859

0280037

0602500

0602500

1211149

0982873

0992873

1211150

0400860

0400860

0583874

0593874


i 1) ZF		2) CAM	
OCAP	O.E.		i
0280037	3211955	TESTA STERZO TIE ROD END	RHT M14x1,5
0400860	3268631	SNODO SOSPENSIONE - INFERIORE BALL JOINT - LOWER	
0583874	3209408	STABILIZZATORE STABILIZER LINK	
0593874	3209407	STABILIZZATORE STABILIZER LINK	
0600859	3268829	SNODO ASSIALE AXIAL JOINT	1) RHT M14x1,5
0602500	3293736	SNODO ASSIALE AXIAL JOINT	2) RHT M14x1,5
0982873	-	KIT CUFFIA STERZO STEERING GAITER KIT	
0992873	-	KIT CUFFIA STERZO STEERING GAITER KIT	
1211149	3268835	CUFFIA STERZO STEERING GAITER	
1211150	3268834	CUFFIA STERZO STEERING GAITER	

DESTRO
RIGHT



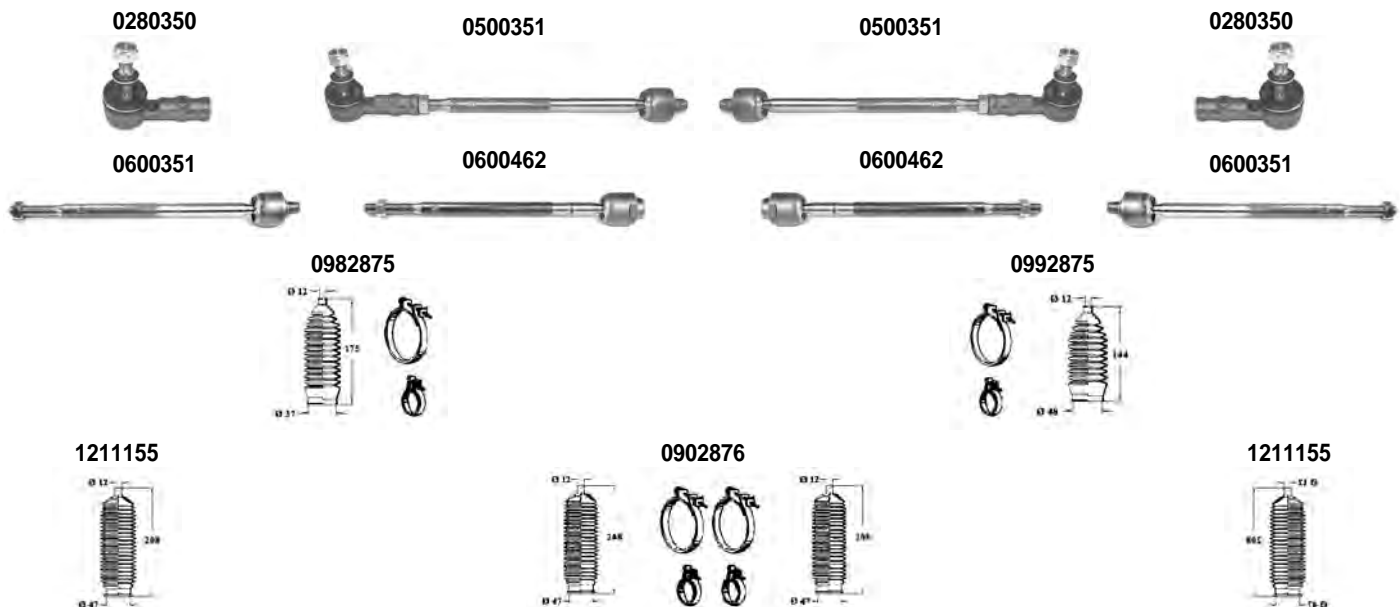
SINISTRO
LEFT

480 440 - 460	ES ET - FT	1986 > 1989 >
------------------	---------------	------------------

Asse Anteriore



Front Axle



i 1) SERVOSTERZO - POWER STEERING	2) STERZO MANUALE - MANUAL STEERING
--	-------------------------------------

OCAP	O.E.		i	
0280350	3480012	TESTA STERZO TIE ROD END		RHT M12x1,25
0500351	-	BARRA STERZO TIE ROD	1)	
0600351	3410412	SNODO ASSIALE AXIAL JOINT	1)	RHT M12x1,25
0600462	3410369	SNODO ASSIALE AXIAL JOINT	2)	RHT M12x1,25
0902876	3342893	KIT CUFFIA STERZO STEERING GAITER KIT	1)	
0982875	3343642	KIT CUFFIA STERZO STEERING GAITER KIT	2)	
0992875	3343641	KIT CUFFIA STERZO STEERING GAITER KIT	2)	
1211155	-	CUFFIA STERZO STEERING GAITER	1)	

DESTRO
RIGHTSINISTRO
LEFT480
440 - 460ES
ET - FT1986 >
1989 >

Asse Anteriore



Front Axle






Asse Posteriore



Rear Axle



OCAP	O.E.			
0400352	3465482	SNODO SOSPENSIONE - INFERIORE BALL JOINT - LOWER		
0503880	3434868	STABILIZZATORE STABILIZER LINK		
0580353	3467714	STABILIZZATORE STABILIZER LINK		
0590353	3467713	STABILIZZATORE STABILIZER LINK		

66 - 66 STATION WAGON

DESTRO
RIGHT



SINISTRO
LEFT

66 - 66 STATION WAGON

DL1.1-GL1.3

1975 >

Asse Anteriore






Front Axle

0400857



0400857



OCAP	O.E.			
0400857	890494	SNODO SOSPENSIONE - INFERIORE BALL JOINT - LOWER		

DESTRO
RIGHT

 SINISTRO
LEFT

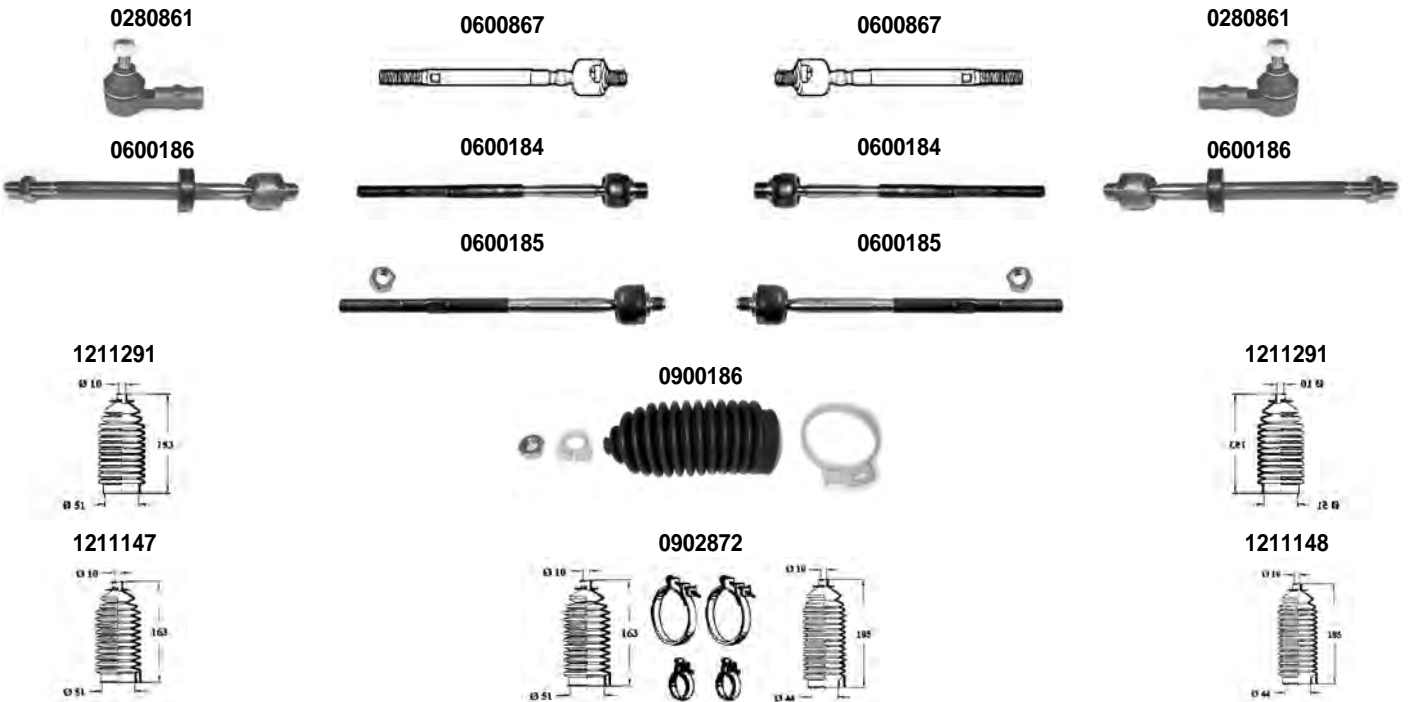
 740 - 760
780 COUPE'
940 - 960

 1982 >
1985 >
1990 >

Asse Anteriore



Front Axle



i	1) 1982 > 1985	2) ZF - 1985 >
	3) SOLO PER - ONLY FOR: MOD. STATION > CH. 176799 - HATCH BACK > CH. 294099 - > 1988	4) SOLO PER - ONLY FOR: MOD. STATION CH. 176800 > - HATCH BACK CH.294100 > - 1989 >
	5) STERZO MANUALE - MANUAL STEERING	6) SERVOSTERZO - POWER STEERING

OCAP	O.E.		i	
0280861	3516944	TESTA STERZO TIE ROD END		RHT M14x2
0600184	1359347	SNODO ASSIALE AXIAL JOINT	3)	RHT M14x2
0600185	9140504	SNODO ASSIALE AXIAL JOINT	4)	RHT M14x2
0600186	271389	SNODO ASSIALE AXIAL JOINT	2)	RHT M14x2
0600867	1273126	SNODO ASSIALE AXIAL JOINT	1)	RHT M14x2
0900186	-	KIT CUFFIA STERZO STEERING GAITER KIT	5)	
0902872	270597	KIT CUFFIA STERZO STEERING GAITER KIT	6)	
1211147	1272925	CUFFIA STERZO STEERING GAITER	6)	
1211148	1272924	CUFFIA STERZO STEERING GAITER	6)	
1211291	271554	CUFFIA STERZO STEERING GAITER	5)	

DESTRO
RIGHT



SINISTRO
LEFT

740 - 760
780 COUPE'
940 - 960

1982 >
1985 >
1990 >

Asse Anteriore



Front Axle

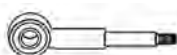
0400868



0400868



0181414



0181414-K



0181414



0503873



1215348



1215348



0503873



Asse Posteriore



Rear Axle

0502369



0502369



i 7) SOLO PER - ONLY FOR: MOD. 960 - 1995 >

8) SOLO PER - ONLY FOR: MOD. 940 - 960

OCAP	O.E.		i	
0181414	9157725	PUNTOE BARRA STABILIZZATRICE STABILIZER LINK		
0400868	1270477	SNODO SOSPENSIONE - INFERIORE BALL JOINT - LOWER		
0502369	3530304	STABILIZZATORE STABILIZER LINK	8)	
0503873	272991	STABILIZZATORE STABILIZER LINK	7)	
1215348	1329655	SILENTBLOCK BRACCIO OSCILLANTE CONTROL ARM BUSHING		
0181414-K	9157725 *	KIT PUNTOE BARRA STABILIZZATRICE STABILIZER LINK KIT		

DESTRO
RIGHTSINISTRO
LEFT

850 - 850 STATION WAGON

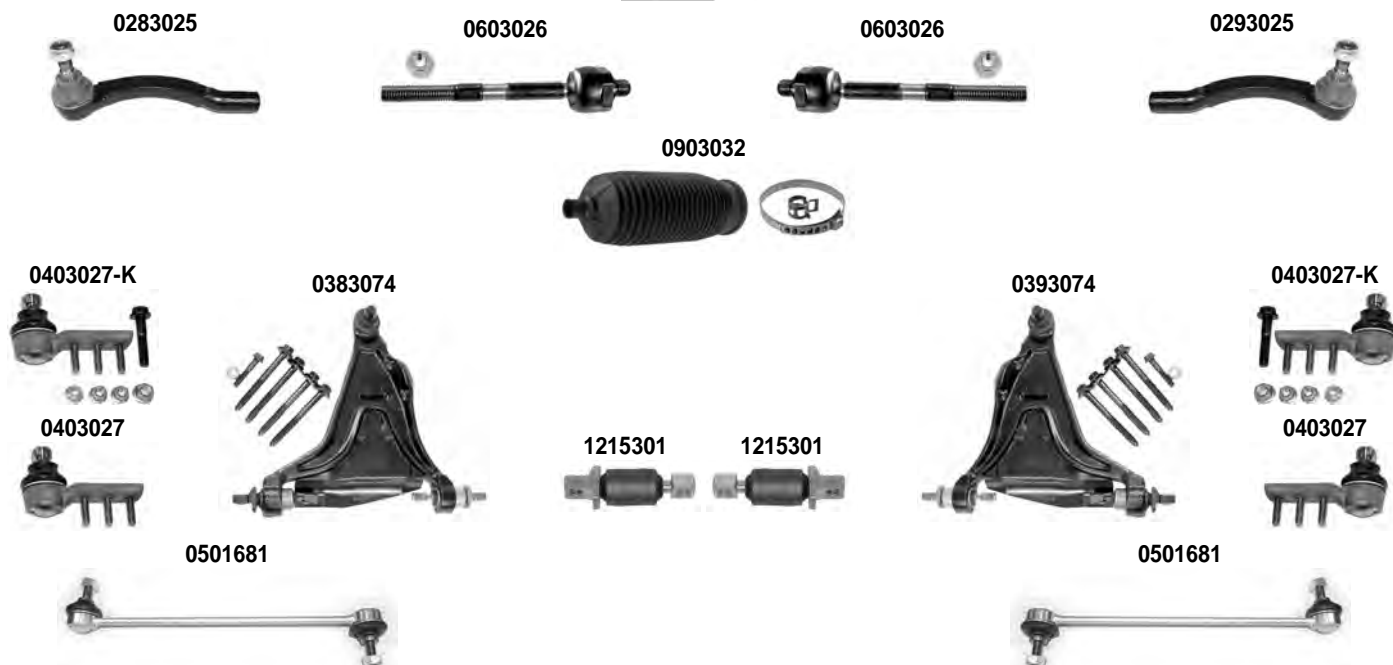
LS - LW

1991 >

Asse Anteriore



Front Axle

**i** 1) SOLO PER - ONLY FOR: MOD. 2.5 TDI - 1995 > 1996

OCAP	O.E.		i	
0283025	271599	TESTA STERZO TIE ROD END		RHT M14x2
0293025	271598	TESTA STERZO TESTA STERZO		RHT M14x2
0383074	9492917	BRACCIO OSCILLANTE - INFERIORE TRACK CONTROL ARM - LOWER	1)	
0393074	9492916	BRACCIO OSCILLANTE - INFERIORE TRACK CONTROL ARM - LOWER	1)	
0403027	271591 *	SNODO SOSPENSIONE - INFERIORE BALL JOINT - LOWER		
0501681	8628703	STABILIZZATORE STABILIZER LINK		
0603026	3546266	SNODO ASSIALE AXIAL JOINT		RHT M14x2
0903032	271601	KIT CUFFIA STERZO STEERING GAITER KIT		
1215301	-	SILENTBLOCK BUSHING		
0403027-K	271591	SNODO SOSPENSIONE - INFERIORE BALL JOINT - LOWER		

DESTRO
RIGHT

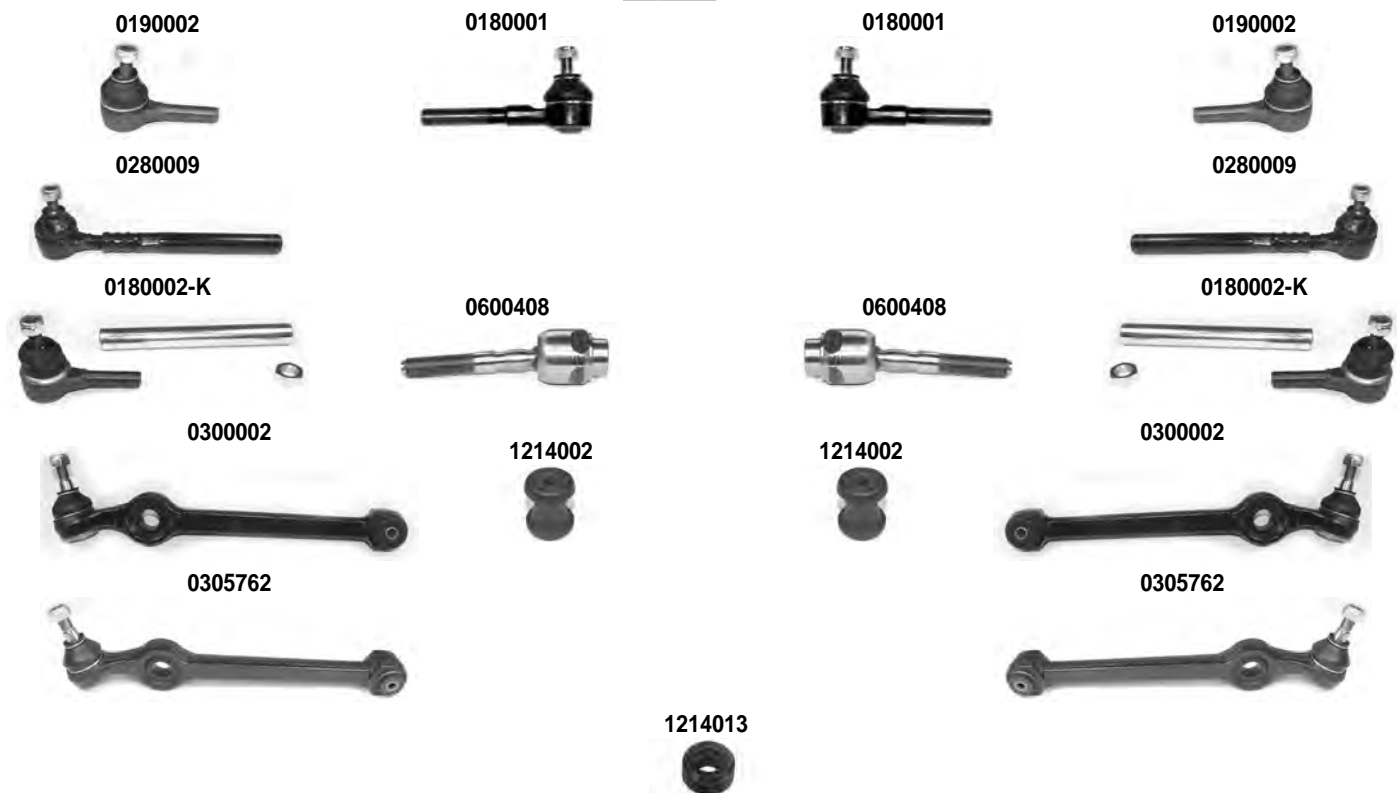


SINISTRO
LEFT

YUGO 750 - 750 L 101	1980 > 1995 1964 > 1985 1972 > 1993
----------------------------	---

Asse Anteriore

Front Axle



i 1) SOLO PER - ONLY FOR: MOD. YUGO 750-750 L 3) VERSIONE RINFORZATA - REINFORCED VERSION	2) SOLO PER - ONLY FOR: MOD. 101
---	----------------------------------

OCAP	O.E.		i	
0180001	4100998	TESTA STERZO - INTERNA TIE ROD END - INNER	1)	RHT M14x1
0190002	4104085	TESTA STERZO - ESTERNA TIE ROD END - OUTER	1)	LHT M14x1
0280009	4254278	TESTA STERZO TIE ROD END	2)	RHT M14x1
0300002	4364092	BRACCIO OSCILLANTE - INFERIORE TRACK CONTROL ARM - LOWER	2)	
0305762	4364092 *	BRACCIO OSCILLANTE TRACK CONTROL ARM	2)3)	
0600408	4318655	SNODO ASSIALE AXIAL JOINT	2)	RHT M14x1
1214002	4292059	SILENTBLOCK BUSHING	2)	
1214013	4240587	BOCCOLA BARRA STABILIZZATRICE STABILIZING BAR BUSHING	2)	
0180002-K	-	KIT TESTA STERZO TIE ROD END KIT	2)	RHT M14x1

RIF. ORIG. O.E. NUMBER	RIF. OCAP OCAP REF.	MARCA MAKE	PAG.	RIF. ORIG. O.E. NUMBER	RIF. OCAP OCAP REF.	MARCA MAKE	PAG.
0002364300	0190830	TALBOT	1447	0004604148	0180730	MERCEDES	854
0002508400	0500846	TALBOT	1450	0004604248	0190731	MERCEDES	854
0002508800	0180847	TALBOT	1450	0004604648	0190731	MERCEDES	854
0002510300	0190847	TALBOT	1450	0004606548	0182261	MERCEDES	855
0002912000	0400833	TALBOT	1447	0004607248	0181695	MERCEDES	798-799
0003200028	0402159	MERCEDES	854-855	0004607248	0182260	MERCEDES	855
0003200128	0402159	MERCEDES	854-855	0004607348	0191695	MERCEDES	798-799
0003300018	0903859	MERCEDES	792, 822, 832	0004608548	0180730	MERCEDES	854
0003301007	0404273	MERCEDES	791, 831	0004608648	0190731	MERCEDES	854
0003301235	0186612	MERCEDES	852	0004608748	0190731	MERCEDES	854
0003301335	0196612	MERCEDES	852	0004633729	0184189	MERCEDES	798-799
0003302635	0190729	MERCEDES	851	0008900048	0190282	MERCEDES	748-750, 752, 814, 816, 827
0003302735	0180729	MERCEDES	851	0012858600	0400839	TALBOT	1443, 1445, 1448, 1451
0003306935	0190729	MERCEDES	851	0012861400	0400840	TALBOT	1443, 1445, 1448
0003307035	0180729	MERCEDES	851	0013187600	0600841	TALBOT	1443, 1445, 1448, 1451
0003307535	0186612	MERCEDES	852	0013300035	0196612	MERCEDES	852
0003307635	0196612	MERCEDES	852	0013300735	0180729	MERCEDES	851
0003309735	0186612	MERCEDES	852	0013300835	0190729	MERCEDES	851
0003309835	0196612	MERCEDES	852	0013300935	0190729	MERCEDES	851
0003309935	0186612	MERCEDES	852	0013301035	0180729	MERCEDES	851
0003331071	0905190	MERCEDES	795	0013303835	0191687	MERCEDES	782
0003380710	0180282	BMW	129	0013303935	0191686	MERCEDES	782
0003380710	0180282	MERCEDES	748-750, 814, 816, 827	0013304035	0181687	MERCEDES	782
0003380710	0180282	PORSCHE	1158, 1164	0013304135	0181687	MERCEDES	782
0003380810	0190282	MERCEDES	748-750, 752, 814, 816, 827	0013304835	0181695	MERCEDES	798-799
0003381910	0180282	BMW	129	0013304835	0182260	MERCEDES	855
0003381910	0180282	MERCEDES	748-750, 814, 816, 827	0013305235	0181651	MERCEDES	783, 828
0003381910	0180282	PORSCHE	1158, 1164	0013305335	0191652	MERCEDES	828
0003382010	0190282	MERCEDES	748-750, 752, 814, 816, 827	0013305435	0181651	MERCEDES	783, 828
0003383429	0186612	MERCEDES	852	0013305535	0191652	MERCEDES	783, 828
0003383529	0186612	MERCEDES	852	0013306235	0182177	MERCEDES	818
0003384210	0180718	MERCEDES	761	0013306335	0192178	MERCEDES	818
0003384310	0190718	MERCEDES	761	0013307435	0282025	MERCEDES	765, 779, 834
0003384410	0180718	MERCEDES	761	0013307735	0282025	MERCEDES	765, 779, 834
0003384510	0190718	MERCEDES	761	0014141V001	0701841	SMART	1399
0003384610	0180282	BMW	129	0016329000	0190857	TALBOT	1442
0003384610	0180282	MERCEDES	748-750, 814, 816, 827	0016545292	0600841	TALBOT	1443, 1445, 1448, 1451
0003384610	0180282	PORSCHE	1158, 1164	0016545400	0600841	TALBOT	1443, 1445, 1448, 1451
0003384710	0182170	MERCEDES	752, 782	0023301435	0196612	MERCEDES	852
0003384910	0181117	MERCEDES	761	004304447	0704021	SKODA	1397
0003385010	0190282	MERCEDES	748-750, 752, 814, 816, 827	0049908104 *	0903861	MERCEDES	822
0003385110	0182170	MERCEDES	752, 782	0051526800	0600841	TALBOT	1443, 1445, 1448, 1451
0003385210	0180282	BMW	129	0055222400	0400832	TALBOT	1447
0003385210	0180282	MERCEDES	748-750, 814, 816, 827	0055266200	0190834	TALBOT	1447
0003385210	0180282	PORSCHE	1158, 1164	007304443	0700231	SKODA	1367
0003385310	0190282	MERCEDES	748-750, 752, 814, 816, 827	007304447	0790231	SKODA	1367
0003385410	0182170	MERCEDES	752, 782	007304448	0780231	SKODA	1367
0003385510	0180282	BMW	129	007350278N	0601477	SKODA	1367
0003385510	0180282	MERCEDES	748-750, 814, 816, 827	007350278P	0280182	SKODA	1367, 1397
0003385510	0180282	PORSCHE	1158, 1164	01223-00291 *	0504396-K	NISSAN	925
0003385610	0193901	MERCEDES	782	01223-00291 *	0504400-K	NISSAN	946
0003385910	0193901	MERCEDES	782	0192441 *	0902415	SEAT	1328
0003386010	0190718	MERCEDES	761	0223-28-776 *	0505586	MAZDA	732
0003386110	0180718	MERCEDES	761	02875013	0505555	CHEVROLET - DAEWOO	223
0003386210	0190718	MERCEDES	761	02875013	0505555	OPEL	1041-1043
0003386310	0181117	MERCEDES	761	0305-99-322A	0283381	MAZDA	714, 723
0004600005	0502166	MERCEDES	750	0305-99-324A	0293380	MAZDA	714, 723
				0305-99-356A	0403382	MAZDA	714, 723
				0350086	1214246	OPEL	1062

RIF. ORIG. O.E. NUMBER	RIF. OCAP OCAP REF.	MARCA MAKE	PAG.	RIF. ORIG. O.E. NUMBER	RIF. OCAP OCAP REF.	MARCA MAKE	PAG.	
0350109	1215400	OPEL	1026	05143555AC	0292572	JEEP	609	
0350116	1214242	OPEL	1054	05143556AC	0282572	JEEP	609	
0350127	1215401	OPEL	1028	05174185AA	0509262	JEEP	605-606	
0350127	1215401	VAUXHALL	1554	05174185AB	0509262	JEEP	605-606	
0350130	1214098	OPEL	1019, 1062	1032,	05174185AC	0509262	JEEP	605-606
0350130	1214098	VAUXHALL	1566	05183761AA	0282720	CHRYSLER	238	
0350145	1214114	OPEL	1064	05183761AA	0282720	FIAT	366	
0350147	1214244	OPEL	1056	05183761AA	0282720	JEEP	606	
0350148	1214117	OPEL	1064	05189417AA	1211457	JEEP	604	
0350159	1214117	OPEL	1064	05189419AA	0292561	JEEP	604	
0350160	1214114	OPEL	1064	05272324AC	0504036	CHRYSLER	236	
0350161	1214245	OPEL	1021, 1044	1032,	0603-99-324	0193429	MAZDA	744
0350263	0180043	OPEL	1016	0603-99-325	0193429	MAZDA	744	
0350610	0501690	OPEL	1032, 1062	1044,	0608626700	1215408	RENAULT	1223, 1225- 1226, 1228
0350610	0501690	VAUXHALL	1557, 1560	06101984 *	0502580-K	JEEP	609	
0352076	0780103	OPEL	1016	06502473 *	0502647-K	JEEP	608	
0352076	0780103	VAUXHALL	1542	06502835 *	0502579-K	JEEP	609	
0352077	0790103	OPEL	1016	06502835 *	0502580-K	JEEP	609	
0352077	0790103	VAUXHALL	1542	06502835 *	0502647-K	JEEP	608	
0423121	0401517	OPEL	1062	06505353AA *	0502647-K	JEEP	608	
0423121	0401517	VAUXHALL	1566	06507771AA *	0502579-K	JEEP	609	
044199	1214097	OPEL	1017, 1062	1054,	06508710AA *	0502579-K	JEEP	609
044199	1214097	VAUXHALL	1566	0662-99-322A	0283378	MAZDA	714	
04436-20031	0403685	TOYOTA	1486	07846696	0900760	CHEVROLET - DAEWOO	223	
0444153	1214097	OPEL	1017, 1062	1054,	07846696	0900760	GENERAL MOTORS	501
0444153	1214097	VAUXHALL	1566	07846696	0900760	OPEL	1014, 1041- 1043	
0444160	1214100	OPEL	1064	07846696	0900760	VAUXHALL	1540-1541, 1551	
0444161	1214247	OPEL	1064	07848281	0290772	CHEVROLET - DAEWOO	223	
0444162	1214248	OPEL	1064	07848281	0290772	GENERAL MOTORS	501	
0444200	1214115	OPEL	1062	07848281	0290772	OPEL	1014, 1043	
0444325	1214243	OPEL	1017, 1054	07848281	0290772	VAUXHALL	1541, 1551	
0444336	1214243	OPEL	1017, 1054	07848282	0280772	CHEVROLET - DAEWOO	223	
04656730AH	1216042	CHRYSLER	236	07848282	0280772	GENERAL MOTORS	501	
04656731AH	1216042	CHRYSLER	236	07848282	0280772	OPEL	1014, 1043	
04656934AB	0504038	CHRYSLER	236	0866-99-322	0283412	MAZDA	735	
04694760AA	0384048	CHRYSLER	237	0866-99-324	0291265	MAZDA	715, 723	
04694761AC	0394048	CHRYSLER	237	0866-99-324A	0293411	MAZDA	735	
04743935AD	0602721	CHRYSLER	237-238	0866-99-356A	0403416	MAZDA	735	
0483-99-322	0283378	MAZDA	714	0890494	0400857	VOLVO	1742	
0483-99-324	0293380	MAZDA	714, 723	0902010 *	1211629	OPEL	1022	
05066373AA	0282720	CHRYSLER	238	0902010	0905167	CHEVROLET - DAEWOO	231	
05066373AA	0282720	FIAT	366	0902010	0905167	OPEL	1022	
05066373AA	0282720	JEEP	606	09160391	1216063	NISSAN	939	
05093857AA	0284036	CHRYSLER	236	09160391	1216063	OPEL	1050	
05105040AA *	0409262	JEEP	606	09160391	1216063	RENAULT	1210	
05105040AA	0789262	JEEP	606	09208989	1215556	OPEL	1009	
05105040AB	0789262	JEEP	606	09208989	1215556	SUZUKI	1441	
05105040AC	0789262	JEEP	606	09208989	1215556	VAUXHALL	1538	
05105040AD	0789262	JEEP	606	09212533	1215556	OPEL	1009	
05105040AE	0789262	JEEP	606	09212533	1215556	SUZUKI	1441	
05105040AF	0789262	JEEP	606	09212533	1215556	VAUXHALL	1538	
05105040AG	0789262	JEEP	606	09319-10030	1215556	OPEL	1009	
05105041AA *	0409262	JEEP	606	09319-10030	1215556	SUZUKI	1441	
05105041AA	0799262	JEEP	606	09319-10030	1215556	VAUXHALL	1538	
05105041AB	0799262	JEEP	606	0G030-34-550B	0400349	FORD	463	
05105041AC	0799262	JEEP	606	0G030-34-550B	0400349	KIA	622	
05105041AD	0799262	JEEP	606	0G030-34-550B	0400349	MAZDA	724-727, 742, 746-747	
05105041AE	0799262	JEEP	606	0K011-32-230	0291994	KIA	641	
05105041AF	0799262	JEEP	606	0K011-32-240A	0281993	KIA	641	
05114037AI	0402644	JEEP	604	0K011-32-250A	0291993	KIA	641	

RIF. ORIG. O.E. NUMBER	RIF. OCAP OCAP REF.	MARCA MAKE	PAG.	RIF. ORIG. O.E. NUMBER	RIF. OCAP OCAP REF.	MARCA MAKE	PAG.
OK011-32-260A	0501992	KIA	641	OK72A-34-150A	0504581	KIA	630
OK011-32-270A	0591993	KIA	641	OK72A-34-200	0304584	KIA	630
OK011-32-280	0281994	KIA	641	OK72A-34-200A	0304584	KIA	630
OK011-32-290A	0581993	KIA	641	OK72A-34-300A	0304582	KIA	630
OK011-34-150A	0501997	KIA	641	OK72A-34-300B	0304582	KIA	630
OK011-34-160A	0501997	KIA	641	OK72A-34-510A	0404580	KIA	630
OK011-34-200	0302848	KIA	641	OK74P-34160	0501997	KIA	641
OK011-34-200A	0302848	KIA	641	OK9A2-32-240	0601972	KIA	622
OK011-34-300D	0702849	KIA	641	OK9A2-32-280	0281973	KIA	615, 622, 635-636
OK011-34-300E	0702849	KIA	641	OK9A2-34-300	0784571	KIA	622
OK011-34-300F	0702849	KIA	641	OK9A2-34-350	0794571	KIA	622
OK0A3-28-170A	0501582	KIA	622	OK9A6-34-300	0784572	KIA	622
OK0A3-28-170A	0501582	MAZDA	729	OK9A6-34-350	0794572	KIA	622
OK201-32-280	0281973	KIA	615, 622, 635-636	OKX43-34-300	0780340	KIA	614, 623
OK201-34-550C	0403390	KIA	635	OKX43-34-350	0790340	KIA	614, 623
OK201-34-550C	0403390	MAZDA	717	OS083-34-300B	0780340	KIA	614, 623
OK201-34-550E	0403390	KIA	635	OS083-34-350B	0790340	KIA	614, 623
OK201-34-550E	0403390	MAZDA	717	OS617-34-300	0780340	KIA	614, 623
OK203-32-240	0601972	KIA	635	OS617-34-300A	0780340	KIA	614, 623
OK2A1-32-240	0681975	KIA	615, 636	OS617-34-350	0790340	KIA	614, 623
OK2A1-34-150A	0501583	KIA	615, 635-636	OS617-34-350A	0790340	KIA	614, 623
OK2A1-34-150B	0501583	KIA	615, 635-636	OSE46-34-200	0794576	KIA	614, 623
OK2A1-34-550A	0402549	KIA	615, 636	OSE46-34-200A	0794576	KIA	623
OK2A2-32-240	0691975	KIA	615, 636	OSE46-34-250	0784576	KIA	614, 623
OK2A5-34-150A	0501974	KIA	636	OSE46-34-250A	0784576	KIA	623
OK2A5-34-150B	0501974	KIA	636	1000445	1215119	FORD	431, 433-435, 457-458, 482
OK2FA-34150	0584098	KIA	615	1001396	0583043	FORD	451
OK2FA-34170	0594098	KIA	615	1001396	0583043	SEAT	1307
OK2FA-34-300	0782549	KIA	615	1001396	0583043	VOLKSWAGEN	1676
OK2FA-34-350	0792549	KIA	615	1001398	0593043	FORD	451
OK2N1-34-150A	0581973	KIA	636	1001398	0593043	VOLKSWAGEN	1676
OK2N1-34-170A	0591973	KIA	636	1001713	1214099	FORD	452
OK2NA-34-300B	0782847	KIA	636	1003609	1214185	FORD	437, 439, 458, 482
OK2NA-34-350B	0792847	KIA	636	1004018	0501329	FORD	431, 437, 439, 458, 473, 482
OK30B-34-300B	0382552	KIA	632	1004018	0501329	MAZDA	709
OK30B-34-350B	0392552	KIA	632	1007602	0393973	FORD	451
OK33C-34-150A	0581586	KIA	632	1007602	0393973	SEAT	1307
OK33C-34-160A	0591586	KIA	632	1007602	0393973	VOLKSWAGEN	1676
OK552-28-300B	0382791	KIA	617	1009591	0503974	FORD	452
OK552-28-300C	0382791	KIA	617	1009591	0503974	SEAT	1307
OK552-28-350B	0392791	KIA	617	1009591	0503974	VOLKSWAGEN	1676
OK552-28-350C	0392791	KIA	617	1010037	1215213	FORD	436-439, 473
OK552-32-240	0291977	KIA	617	1010037	1215213	MAZDA	709
OK552-32-250	0681990	KIA	617	1011665 *	0902237	FORD	479
OK552-32-250B	0691991	KIA	617	1011665	1211337	FORD	479
OK552-32-270	0691991	KIA	617	1011857	0283963	FORD	436, 438, 473
OK552-32-270A	0691991	KIA	617	1011857	0283963	MAZDA	709
OK552-32-280	0281977	KIA	617	1011858	0293963	FORD	436, 438, 473
OK552-34-150B	0501976	KIA	617	1011858	0293963	MAZDA	709
OK552-34-151B	0501976	KIA	617	1012632	0383973	FORD	451
OK552-34-160B	0501976	KIA	617	1012632	0383973	SEAT	1307
OK552-34-300A	0382551	KIA	617	1012632	0383973	VOLKSWAGEN	1676
OK552-34-300B	0382551	KIA	617	1012814	1211192	FORD	436, 438, 457, 473, 482
OK552-34-300C	0382551	KIA	617	1014654	1215214	FORD	436-439, 473
OK552-34-350A	0392551	KIA	617	1014654	1215214	MAZDA	709
OK552-34-350B	0392551	KIA	617	101525	1215150	ALFA ROMEO	18
OK60A-32-270	0604575	KIA	623	1015546	0281712	FORD	430
OK710-32-240	0284573	KIA	623	1015547	0291712	FORD	430
OK71034510	0400340	KIA	614	1020214	0781837	FORD	437-438
OK710-34-510	0404577	KIA	623	1020214	0781837	MAZDA	709
OK710-34-540	0404576	KIA	623				
OK72A-32-240	0284579	KIA	630				
OK72A-32-270	0604574	KIA	623, 630				

RIF. ORIG. O.E. NUMBER	RIF. OCAP OCAP REF.	MARCA MAKE	PAG.	RIF. ORIG. O.E. NUMBER	RIF. OCAP OCAP REF.	MARCA MAKE	PAG.
1020219	0781839	FORD	436, 439, 473	1046445	0783830	FORD	457
1020219	0781839	MAZDA	709	1046455	0790943	FORD	457
1020220	0791837	FORD	437-438	1046458	0793830	FORD	457
1020220	0791837	MAZDA	709	1047145	0281725	FORD	493
1020221	0791839	FORD	436, 439, 473	1047797	0400854	FORD	435-439, 457- 458, 473, 482
1020221	0791839	MAZDA	709	1047797	0400854	MAZDA	709
1020496 *	0603044	FORD	451	1047852	0400940	FORD	433-434
1020496	0583043	FORD	451	1047853	0400940	FORD	433-434
1020496	0583043	SEAT	1307	1048951-00-A	0308676	TESLA	1452, 1454
1020496	0583043	VOLKSWAGEN	1676	1048951-00-B	0308676	TESLA	1452, 1454
1020497 *	0603044	FORD	451	105143556AC	0282572	JEEP	609
1020497	0593043	FORD	451	105143556AC	0292572	JEEP	609
1020497	0593043	VOLKSWAGEN	1676	1054209 *	0181882-K	FORD	423, 465, 467
1021219	0781839	FORD	436, 439, 473	1054209	0181882	FORD	423, 465, 467
1021219	0781839	MAZDA	709	1054988	0780940	FORD	433
1021220	0791839	FORD	436, 439, 473	1054989	0790940	FORD	433
1021220	0791839	MAZDA	709	1055194	0401727	FORD	493
1023026	0780393	FORD	464, 466	1058279	0781715	FORD	431
1023028	0790393	FORD	464, 466	1058280	0791715	FORD	431
1023058	1215309	FORD	464, 466	1058325	0781837	FORD	437-438
1024130	0601713	FORD	430	1058325	0781837	MAZDA	709
1027351-00-C	0308676	TESLA	1452, 1454	1058326	0781838	FORD	437, 439
1027841-00-B	0288677	TESLA	1452, 1454	1058331	0791837	FORD	437-438
102962	1211055	ALFA ROMEO	18	1058331	0791837	MAZDA	709
1029836	0602237	FORD	479	1058332	0791838	FORD	437, 439
1030025	0400854	FORD	435-439, 457- 458, 473, 482	1061570	1215439	FORD	444
1030025	0400854	MAZDA	709	1061631	0501329	FORD	431, 437, 439, 458, 473, 482
1030027	0400940	FORD	433-434	1061631	0501329	MAZDA	709
1030277	0780393	FORD	464, 466	1061659	0702739	FORD	445, 447, 450
1030278	0790393	FORD	464, 466	1061659	0702739	MAZDA	713
1030603-00-B	0508676	TESLA	1453	1061659	0702739	VOLVO	1717, 1723
1032099	0780943	FORD	457	1061660	0704285	FORD	445, 447, 462
1032100	0783830	FORD	457	1061664	0704290	FORD	448
1032101	0790943	FORD	457	1061666	0702752	FORD	445
1032102	0793830	FORD	457	1061668	0704498	FORD	445, 448, 450
1032567	0280855	FORD	435, 457, 482	1061668	0704498	MAZDA	713
1032689	0280855	FORD	435, 457, 482	1061668	0704498	VOLVO	1717, 1723
1034417	0280855	FORD	435, 457, 482	1061670	1216073	FORD	445, 448
1035690	0280044	FORD	466, 479	1061703	0904165	FORD	445, 448
1035691	0290044	FORD	466, 479	1061703	0904165	MITSUBISHI	877
1035911	0181882-K	FORD	423, 465, 467	1061703	0904165	SMART	1402
103592	0283899	FERRARI	338	1063161	0400752	OPEL	1026, 1028
1035929	1215120	FORD	431, 433-435, 457-458, 482	1063161	0400752	VAUXHALL	1554, 1562
1039103	0281725	FORD	493	1063223	0781838	FORD	437, 439
1039511	0181882-K	FORD	423, 465, 467	1063226	0781837	FORD	437-438
1041570-00-B	0398677	TESLA	1452, 1454	1063226	0781837	MAZDA	709
1041575-00-B	0388677	TESLA	1452, 1454	1063246	0791838	FORD	437, 439
1043158	0790393	FORD	464, 466	1063248	0791837	FORD	437-438
1043159	0780393	FORD	464, 466	1063248	0791837	MAZDA	709
1043965-00-A	0798676	TESLA	1452	1063985	0780943	FORD	457
104396600A *	0408676	TESLA	1452	1063986	0790943	FORD	457
1043966-00-A	0788676	TESLA	1452	1063987	0783830	FORD	457
1044014	0603964	FORD	436, 438, 473	1063988	0793830	FORD	457
1044014	0603964	MAZDA	709	1064128 *	1216032	FORD	445, 448
104474100E *	0608677	TESLA	1452, 1454	1064128 **	1216192	FORD	445
1045413	0502239	FORD	479	1064128	0702752	FORD	445
1046038	0781838	FORD	437, 439	1067818	0501329	FORD	431, 437, 439, 458, 473, 482
1046039	0781837	FORD	437-438	1067818	0501329	MAZDA	709
1046039	0781837	MAZDA	709	1067918	1215440	FORD	444
1046072	0791838	FORD	437, 439	1071336	0501329	FORD	431, 437, 439, 458, 473, 482
1046073	0791837	FORD	437-438	1071336	0501329	MAZDA	709
1046073	0791837	MAZDA	709				
1046444	0780943	FORD	457				

RIF. ORIG. O.E. NUMBER	RIF. OCAP OCAP REF.	MARCA MAKE	PAG.	RIF. ORIG. O.E. NUMBER	RIF. OCAP OCAP REF.	MARCA MAKE	PAG.
1071683	0781837	FORD	437-438	1116602	1214188	FORD	468
1071683	0781837	MAZDA	709	1117698	0501774	FORD	468
1071690	0781838	FORD	437, 439	1117698	0501774	JAGUAR	596
1071694	0781839	FORD	436, 439, 473	1117800	0503855	FORD	469
1071694	0781839	MAZDA	709	1117801	0504176	FORD	469
1071701	0791837	FORD	437-438	1117858	0708663	FORD	469
1071701	0791837	MAZDA	709	1117858	0708663	JAGUAR	597
1071702	0791838	FORD	437, 439	1117859	0702272	JAGUAR	597
1072279	0791839	FORD	436, 439, 473	111802906050	0501471	LADA	645, 647
1072279	0791839	MAZDA	709	111803414052	0581472	LADA	645
1072435 *	0503134-K	FORD	467	111803414053	0591472	LADA	645
1072446 *	0503134-K	FORD	467	111803414056	0281472	LADA	645
1072446	0503134	FORD	467	111803414057	0291472	LADA	645
1072447 *	0503134-K	FORD	467	111803414058 *	0901472	LADA	645
1072453	0708843	FORD	465, 467	111803414058	0181472	LADA	645
1073214	0781056	FORD	444	1118-2906050	0501471	LADA	645, 647
1073215	0791056	FORD	444	1118-3414056	0281472	LADA	645
1073217	1215441	FORD	444	1118-3414057	0291472	LADA	645
1073249	1214187	FORD	445	1118-3414058	0181472	LADA	645
1073300103	0502161	MERCEDES	748-750, 827	1118695	1214188	FORD	468
1073300203	0501120	MERCEDES	814, 816, 827	1118920	0702273	FORD	469
1074305	0281054	FORD	444	1118921 *	1215793	FORD	469
1074306	0291054	FORD	444	1118921	0702272	FORD	469
1074600205	0502160	MERCEDES	827	1118921	0702272	JAGUAR	597
1074600505	0502160	MERCEDES	827	1119588	1214190	FORD	469
1074600605	0502160	MERCEDES	827	11200360	0186592	NISSAN	935
1085520	0601055	FORD	444, 485	11200360-0	0186592	NISSAN	935
1090730	0781056	FORD	444	11200360-0A	0186592	NISSAN	935
1090738	0791056	FORD	444	11200360-0B	0186592	NISSAN	935
1092376	0583043	FORD	451	11200361-0	0196592	NISSAN	935
1092376	0583043	SEAT	1307	11200361-0A	0196592	NISSAN	935
1092376	0583043	VOLKSWAGEN	1676	11200361-0B	0196592	NISSAN	935
1092377	0283043	FORD	451	11200454-0	0506590	NISSAN	927
1092377	0283043	SEAT	1307	112004540	0506590	NISSAN	927
1092377	0283043	VOLKSWAGEN	1676	1122566	0708663	FORD	469
1092380	0293043	FORD	451	1122566	0708663	JAGUAR	597
1092380	0293043	SEAT	1307	1124242	0702285	FORD	469
1092380	0293043	VOLKSWAGEN	1676	1124418	1214189	FORD	469
1092382	0593043	FORD	451	1127646	0501774	FORD	468
1092382	0593043	VOLKSWAGEN	1676	1127646	0501774	JAGUAR	596
1094600205	0502165	MERCEDES	748-749	1127648	0503855	FORD	469
1094600305	0502165	MERCEDES	748-749	1128725	1214123	FORD	423, 464, 467, 479
1097316	0281775	FORD	422, 466	1130273	0501329	FORD	431, 437, 439, 458, 473, 482
1097323	0291775	FORD	422, 466	1130273	0501329	MAZDA	709
1102948	0780393	FORD	464, 466	1130452	0504176	FORD	469
1102949	0790393	FORD	464, 466	1130576	0781880	FORD	422
1103300003	0502161	MERCEDES	748-750, 827	1130577	0791880	FORD	422
1104600205	0502164	MERCEDES	748-749	1131386	0781773	FORD	468
1104600405	0502164	MERCEDES	748-749	1131386	0781773	JAGUAR	596
1105524 *	1216060	FORD	445, 448	1131387	0791773	FORD	468
1105524	0704498	FORD	445, 448, 450	1131387	0791773	JAGUAR	596
1105524	0704498	MAZDA	713	113407361C	0400878	VOLKSWAGEN	1711-1712
1105524	0704498	VOLVO	1717, 1723	113407361E	0400878	VOLKSWAGEN	1711-1712
1106269	0501881	FORD	423, 465, 467	113407361F	0400878	VOLKSWAGEN	1711-1712
1107013	0281054	FORD	444	113415303	0500877	VOLKSWAGEN	1711-1712
1107068	0504162	FORD	444	113415303A	0500877	VOLKSWAGEN	1711-1712
1111411	0780940	FORD	433	113415801	0504011	VOLKSWAGEN	1709-1710
1111769	0504162	FORD	444	113415811C	0190882	VOLKSWAGEN	1699, 1710- 1712, 1715
111500420	0602504	SKODA	1396	113415812C	0180882	PORSCHE	1165, 1167
111500440	0282503	SKODA	1396	113415812C	0180882	VOLKSWAGEN	1699, 1710- 1713, 1715
111500441	0282503	SKODA	1396	113415813	0194012	VOLKSWAGEN	1709
1116578	0781773	FORD	468				
1116578	0781773	JAGUAR	596				
1116579	0791773	FORD	468				
1116579	0791773	JAGUAR	596				

RIF. ORIG. O.E. NUMBER	RIF. OCAP OCAP REF.	MARCA MAKE	PAG.	RIF. ORIG. O.E. NUMBER	RIF. OCAP OCAP REF.	MARCA MAKE	PAG.
113415813D	0194010	VOLKSWAGEN	1710	11600230022208	1211058	ALFA ROMEO	20-21
113415821	0184011	VOLKSWAGEN	1709-1710	116002404101	0280525	ALFA ROMEO	20-21
1135077	0504162	FORD	444	116280	0405009	FERRARI	338
1136073	0704285	FORD	445, 447, 462	1163330117	1215122	MERCEDES	753, 814, 816
1136972	0702739	FORD	445, 447, 450	1163330927	0400715	MERCEDES	753, 814, 816
1136972	0702739	MAZDA	713	1163334014	1215122	MERCEDES	753, 814, 816
1136972	0702739	VOLVO	1717, 1723	1163336314	1215001	MERCEDES	753, 814
1138160	0401056	FORD	444	1164600905	0500711	MERCEDES	752, 814
1138275	0283867	FORD	495, 498	116462109700	0402508	ALFA ROMEO	21
1138313	0281771	FORD	468	1165860133 *	0900131	MERCEDES	753, 815
1139926	0781773	FORD	468	1165860133	0900130	MERCEDES	753, 815
1139926	0781773	JAGUAR	596	117022300200/1	0602507	ALFA ROMEO	21
1139928	0791773	FORD	468	1175-99-322A	0283414	MAZDA	728, 735
1139928	0791773	JAGUAR	596	1175-99-324A	0293413	MAZDA	728, 735
1141293 *	0400393	FORD	466	119002101900	0401600	ALFA ROMEO	20
1141293	0780393	FORD	464, 466	119002403900	0600526	ALFA ROMEO	20
1141294 *	0400393	FORD	466	119132109700	0400528	ALFA ROMEO	20-21
1141294	0790393	FORD	464, 466	119132109800	0400528	ALFA ROMEO	20-21
1144600205	0502166	MERCEDES	750	1202548	0283819	FORD	440
1144600305	0502166	MERCEDES	750	1202548	0283819	MAZDA	710
1146130	0783821	FORD	440	1202549	0293819	FORD	440
1146130	0783821	MAZDA	710	1202549	0293819	MAZDA	710
1146131	0793821	FORD	440	1203093	0904165	FORD	445, 448
1146131	0793821	MAZDA	710	1203093	0904165	MITSUBISHI	877
1146150	0503822	FORD	440	1203093	0904165	SMART	1402
1146150	0503822	MAZDA	710	1203923	0781773	FORD	468
1148931	0401056	FORD	444	1203923	0781773	JAGUAR	596
1149802	0781773	FORD	468	1203924	0791773	FORD	468
1149802	0781773	JAGUAR	596	1203924	0791773	JAGUAR	596
1149803	0791773	FORD	468	1205652	1211144	VOLVO	1736
1149803	0791773	JAGUAR	596	1205653	1211143	VOLVO	1736
1150353	0702752	FORD	445	1205658	0280861	VOLVO	1736-1737, 1743
1152852	1214191	FORD	440	1205659	0600862	VOLVO	1736-1737
1153201589	0500716	MERCEDES	751, 754, 815, 827	1205662	1211145	VOLVO	1736
1153300703	0502161	MERCEDES	748-750, 827	1205666	0600864	VOLVO	1736
1153300803	0502161	MERCEDES	748-750, 827	1205991 *	0181414-K	VOLVO	1744
1153303607	0790670	MERCEDES	750, 827	1205991 *	0181680-K	VOLVO	1736, 1738
1153303707	0780670	MERCEDES	750, 827	1206474 *	1215799	FORD	469
1153303807	0790670	MERCEDES	750, 827	1206474	0702285	FORD	469
1153303907	0780670	MERCEDES	750, 827	1206474	0702285	JAGUAR	597
1153330527	0402167	MERCEDES	750	1206667 *	0181680-K	VOLVO	1736, 1738
1153330827	0402162	MERCEDES	750, 827	1206667	0181680	VOLVO	1736, 1738
1153331027	0402163	MERCEDES	751, 827	1207447	0783821	FORD	440
1153331127	0402163	MERCEDES	751, 827	1207447	0783821	MAZDA	710
115420020	0794024	SKODA	1397	1207448	0793821	FORD	440
115420021	0784024	SKODA	1397	1207448	0793821	MAZDA	710
115420022	0704021	SKODA	1397	1207973	0401056	FORD	444
115420023	0794022	SKODA	1398	1208511	0783821	FORD	440
115420024	0784022	SKODA	1398	1208511	0783821	MAZDA	710
115420025	0794022	SKODA	1398	1208512	0793821	FORD	440
115420026	0784022	SKODA	1398	1208512	0793821	MAZDA	710
115420240	0400140	SKODA	1367, 1397- 1398	1209035	0504162	FORD	444
115422290	1215232	SKODA	1367, 1397- 1398	1209245	0789225	FORD	458, 482
115422291	1215233	SKODA	1397	1209246	0799225	FORD	458, 482
115422292	1215234	SKODA	1398	1211756	0783821	FORD	440
1154601505	0502166	MERCEDES	750	1211756	0783821	MAZDA	710
1154601605	0502166	MERCEDES	750	1211757	0793821	FORD	440
115500420	0600183	SKODA	1397	1211757	0793821	MAZDA	710
115500440	0280182	SKODA	1367, 1397	1212807	0783821	FORD	440
116002104200	0400528	ALFA ROMEO	20-21	1212807	0783821	MAZDA	710
116002109700	0400528	ALFA ROMEO	20-21	1212807	1215649	FORD	440
116002109800	0400528	ALFA ROMEO	20-21	1212807	1215649	MAZDA	710
				1212807S1	1215648	FORD	440
				1212807S1	1215648	MAZDA	710

RIF. ORIG. O.E. NUMBER	RIF. OCAP OCAP REF.	MARCA MAKE	PAG.	RIF. ORIG. O.E. NUMBER	RIF. OCAP OCAP REF.	MARCA MAKE	PAG.
1212807S2	1215649	FORD	440	1234259	0293043	VOLKSWAGEN	1676
1212807S2	1215649	MAZDA	710	1234382	0404507	FORD	446
1212808	0793821	FORD	440	1234382	0404507	VOLVO	1716, 1721
1212808	0793821	MAZDA	710	1234600605	0500711	MERCEDES	752, 814
1214290	0708663	FORD	469	1234600905	0500711	MERCEDES	752, 814
1214290	0708663	JAGUAR	597	1234601205	0500461	MERCEDES	752
1214911 *	0403821	FORD	440	1234601505	0500711	MERCEDES	752, 814
1214911 *	0403821	MAZDA	710	1234601605	0500461	MERCEDES	752
1214911	0783821	FORD	440	1235860333	0901731	MERCEDES	753, 817
1214911	0783821	MAZDA	710	1235860333	0902367	MERCEDES	817
1214912 *	0403821	FORD	440	1235860435	0901287	MERCEDES	754
1214912 *	0403821	MAZDA	710	1237991	0404043	TALBOT	1444
1214912	0793821	FORD	440	1243200289	0503905	MERCEDES	764, 767, 784, 787, 830, 835, 837
1214912	0793821	MAZDA	710				
1217136	0502239	FORD	479	1243200489	0504156	MERCEDES	787
1219697	0501535	FORD	468	1243231785	1215372	MERCEDES	763, 784
1219698	0501774	FORD	468	1243231885	1214219	MERCEDES	784
1219698	0501774	JAGUAR	596	1243232385	1215426	MERCEDES	763, 784
1220005	0704176	FORD	469	1243232485	1214207	MERCEDES	766, 784, 834
1223792	0504346	FORD	447, 449, 460- 461, 486	1243232685	1214218	MERCEDES	784
1223792	0504346	MAZDA	713	1243232785	1214211	MERCEDES	763, 784
1223792	0504346	VOLVO	1717, 1722	1243233085	1214219	MERCEDES	784
1228386	0601196	VOLVO	1736-1737	1243233185	1214218	MERCEDES	784
1228425	1211146	VOLVO	1737	1243233385	1214217	MERCEDES	784
1228799	0490866	VOLVO	1738	1243233785	1214200	MERCEDES	763, 784
1228800	0480866	VOLVO	1738	1243233885	1214219	MERCEDES	784
1229303 *	0181414-K	VOLVO	1744	1243234185	1214210	MERCEDES	766, 779, 784
1229303 *	0181680-K	VOLVO	1736, 1738	1243234285	1214218	MERCEDES	784
1229573	0400868	VOLVO	1730, 1744	1243234485	1214219	MERCEDES	784
1230619	0704176	FORD	469	1243234585	1214218	MERCEDES	784
1230909	0504346	FORD	447, 449, 460- 461, 486	1243234985	1214203	MERCEDES	763, 766, 784, 834
1230909	0504346	MAZDA	713	1243235085	1214211	MERCEDES	763, 784
1230909	0504346	VOLVO	1717, 1722	1243235185	1214217	MERCEDES	784
1231452	0504290	FORD	448	1243235485	1214215	MERCEDES	766, 779, 784, 834
1231452	0504290	MAZDA	713				
1231452	0504290	VOLVO	1723	1243235685	1214210	MERCEDES	766, 779, 784
1233200989	0500671	MERCEDES	754, 817	1243260081	1214227	MERCEDES	767, 780
1233230585	1214201	MERCEDES	754	1243300575	0901728	MERCEDES	762, 783, 828- 829
1233231285	1215427	MERCEDES	754				
1233300403	0501119	MERCEDES	752	1243300675	0901728	MERCEDES	762, 783, 828- 829
1233300703	0500188	MERCEDES	752				
1233301335	0400717-K	MERCEDES	753	1243300775	0901834	MERCEDES	762
1233301375 *	0901732	MERCEDES	753, 817	1243300903	0503901	MERCEDES	782
1233301375	0901731	MERCEDES	753, 817	1243301403	0591687	MERCEDES	782
1233301375	0902367	MERCEDES	817	1243301503	0581687	MERCEDES	782
1233301475	0901285	MERCEDES	754	1243301807	0790227	MERCEDES	762
1233301503	0501119	MERCEDES	752	1243301907	0780227	MERCEDES	762
1233301803	0501119	MERCEDES	752	1243302003	0581651	MERCEDES	783, 828
1233304607	0390130	MERCEDES	753, 814	1243303007	0791733	MERCEDES	762, 783, 828
1233304707	0380130	MERCEDES	753, 814	1243303107	0781733	MERCEDES	762, 783, 828
1233305207	0390130	MERCEDES	753, 814	1243303407	0791826	MERCEDES	783, 829
1233305307	0380130	MERCEDES	753, 814	1243303507	0781826	MERCEDES	783, 829
1233380110	0180713	MERCEDES	752	1243303807	0790661	MERCEDES	761
1233380210	0190712	MERCEDES	752	1243303907	0780661	MERCEDES	761
1233500075	0901287	MERCEDES	754	1243330127	0403904	MERCEDES	761-763, 783, 828
1233500175	0901295	MERCEDES	754				
1233552	0593043	FORD	451	1243330327	0403904	MERCEDES	761-763, 783, 828
1233552	0593043	VOLKSWAGEN	1676				
1233553	0583043	FORD	451	1243333714	1215544	MERCEDES	762
1233553	0583043	SEAT	1307	1243333814	1215545	MERCEDES	762
1233553	0583043	VOLKSWAGEN	1676	1243334214	1215547	MERCEDES	762, 783, 828- 829
1234259	0293043	FORD	451				
1234259	0293043	SEAT	1307	1243334314	1215548	MERCEDES	762, 783, 828- 829

RIF. ORIG. O.E. NUMBER	RIF. OCAP OCAP REF.	MARCA MAKE	PAG.	RIF. ORIG. O.E. NUMBER	RIF. OCAP OCAP REF.	MARCA MAKE	PAG.
1243500129	0502152	MERCEDES	764, 767, 770, 780, 785, 788, 790, 830, 835, 837	1263300603	0501120	MERCEDES	814, 816, 827
				1263300607	0390723	MERCEDES	816
				1263300707	0380723	MERCEDES	816
				1263300835	0400724-K	MERCEDES	817
1243500153	0500721	MERCEDES	764, 766, 780, 784, 787, 790, 829, 835	1263301135 *	0400724	MERCEDES	817
				1263301135	0400724-K	MERCEDES	817
				1263301335	0400724-K	MERCEDES	817
				1263333814 *	0901705	MERCEDES	817
				1263333814 **	0901706	MERCEDES	817
				1263333814	1215040	MERCEDES	816
1243500575	1215201	MERCEDES	764, 767, 769- 770, 780, 785, 788, 790, 830, 835, 837	1264600605	0500722	MERCEDES	816
				1264600705	0501734	MERCEDES	816
				1264600805	0500722	MERCEDES	816
				1264600819	0901288	MERCEDES	751-752, 816
				1264600905	0501734	MERCEDES	816
				1265860033	0901731	MERCEDES	753, 817
				1265860033	0902367	MERCEDES	817
				1265860133	0400724-K	MERCEDES	817
1243507006	0502150	MERCEDES	764, 767, 769, 780, 785, 788, 790, 830, 835, 837	1270477	0400868	VOLVO	1730, 1744
				1272306	1215751	VOLVO	1730
				1272924	1211148	VOLVO	1737, 1743
				1272925	1211147	VOLVO	1737, 1743
				1272947	0600865	VOLVO	1736-1737
				1273126	0600867	VOLVO	1743
				1273139	0490866	VOLVO	1738
				1273140	0480866	VOLVO	1738
				1273146	0480866	VOLVO	1738
				1273719	0400868	VOLVO	1730, 1744
				12786412	1215638	FIAT	351
				12786412	1215638	OPEL	1064
				12786412	1215638	SAAB	1299
				12786412	1215638	VAUXHALL	1568
				12793813	0305182	SAAB	1300
				12796013	0393804	FIAT	351
				12796013	0393804	OPEL	1064
				12796013	0393804	SAAB	1299
				12796013	0393804	VAUXHALL	1568
				12796014	0383804	FIAT	351
				12796014	0383804	OPEL	1064
				12796014	0383804	SAAB	1299
				12796014	0383804	VAUXHALL	1568
				12801423	0293802	FIAT	351
				12801423	0293802	OPEL	1063
				12801423	0293802	SAAB	1299, 1301
				12801423	0293802	VAUXHALL	1567
				12801424	0283802	FIAT	351
				12801424	0283802	OPEL	1063
				12801424	0283802	SAAB	1299, 1301
				12801424	0283802	VAUXHALL	1567
				12802043	0902314	SAAB	1299
				12804238	0602314	SAAB	1299
				1293230185	1214220	MERCEDES	766, 787, 799
				1293300203	0581651	MERCEDES	783, 828
				1293300303	0581651	MERCEDES	783, 828
				1293500406	0502150	MERCEDES	764, 767, 769, 780, 785, 788, 790, 830, 835, 837
				1293500506	0502150	MERCEDES	764, 767, 769, 780, 785, 788, 790, 830, 835, 837
				1294600405	0501699	MERCEDES	828
				1300473080	0401138	CITROEN	289
				1300473080	0401138	FIAT	360
				1300473080	0401138	PEUGEOT	1073
1243500129	0502152	MERCEDES	764, 767, 770, 780, 785, 788, 790, 830, 835, 837				
1243500153	0500721	MERCEDES	764, 766, 780, 784, 787, 790, 829, 835				
1243500575	1215201	MERCEDES	764, 767, 769- 770, 780, 785, 788, 790, 830, 835, 837				
1243507006	0502150	MERCEDES	764, 767, 769, 780, 785, 788, 790, 830, 835, 837				
1243507106	0502150	MERCEDES	764, 767, 769, 780, 785, 788, 790, 830, 835, 837				
1243507606	0502150	MERCEDES	764, 767, 769, 780, 785, 788, 790, 830, 835, 837				
1243507706	0502150	MERCEDES	764, 767, 769, 780, 785, 788, 790, 830, 835, 837				
1243510242	1215433	MERCEDES	785				
1243523565	1215201	MERCEDES	764, 767, 769- 770, 780, 785, 788, 790, 830, 835, 837				
1243524165	1216405	MERCEDES	785				
1243524365	1215052	MERCEDES	764, 766, 769, 780, 784, 787, 790, 808, 810, 813, 829, 835, 837				
1243527765	1216405	MERCEDES	785				
1243528665	1215202	MERCEDES	764, 767, 770, 780, 785, 788, 790, 830, 835, 837				
1243529065	0302384	MERCEDES	790				
1243529065	1215201	MERCEDES	764, 767, 769- 770, 780, 785, 788, 790, 830, 835, 837				
1244600119	0901293	MERCEDES	783				
1244600805	0503900	MERCEDES	782				
1244600905	0502174	MERCEDES	782				
1244601205	0503903	MERCEDES	782				
1249593	0788069	FORD	449				
1251936	1211421	FORD	446, 449, 461, 486				
1251937	0604345	FORD	446, 449, 460- 461, 486				
1251937	0604345	VOLVO	1716, 1721				
1253969	0504290	FORD	448				
1253969	0504290	MAZDA	713				
1253969	0504290	VOLVO	1723				
1254368	1216061	FORD	448, 460				
1255371	0789225	FORD	458, 482				
1255372	0799225	FORD	458, 482				
1263300075	0901731	MERCEDES	753, 817				
1263300075	0902367	MERCEDES	817				
1263300303	0501120	MERCEDES	814, 816, 827				
1263300403	0501120	MERCEDES	814, 816, 827				
1263300503	0501120	MERCEDES	814, 816, 827				

RIF. ORIG. O.E. NUMBER	RIF. OCAP OCAP REF.	MARCA MAKE	PAG.	RIF. ORIG. O.E. NUMBER	RIF. OCAP OCAP REF.	MARCA MAKE	PAG.
1300716080 *	0181602-K	CITROEN	289	1311025080 *	0181322-K	CITROEN	292
1300716080 *	0181602-K	FIAT	360	1311025080 *	0181322-K	FIAT	387-388, 398
1300716080 *	0181602-K	PEUGEOT	1073	1311025080 *	0181322-K	LANCIA	674
1300716080	0181602	CITROEN	289	1311025080 *	0181322-K	PEUGEOT	1150
1300716080	0181602	FIAT	360	13110418	1216428	OPEL	1021
1300716080	0181602	PEUGEOT	1073	1311416	0781773	FORD	468
1300720080 *	0181602-K	CITROEN	289	1311416	0781773	JAGUAR	596
1300720080 *	0181602-K	FIAT	360	1311417	0791773	FORD	468
1300720080 *	0181602-K	PEUGEOT	1073	1311417	0791773	JAGUAR	596
1300720080	0181602	CITROEN	289	1313056080 *	0181322-K	CITROEN	292
1300720080	0181602	FIAT	360	1313056080 *	0181322-K	FIAT	387-388, 398
1300720080	0181602	PEUGEOT	1073	1313056080 *	0181322-K	LANCIA	674
1300720080	1215491	CITROEN	289	1313056080 *	0181322-K	PEUGEOT	1150
1300720080	1215491	FIAT	360, 387-388, 398	1313056080	1215491	CITROEN	289
1300720080	1215491	LANCIA	674	1313056080	1215491	FIAT	360, 387-388, 398
1300720080	1215491	PEUGEOT	1073	1313056080	1215491	LANCIA	674
1300721080 *	0181602-K	CITROEN	289	1313056080	1215491	PEUGEOT	1073
1300721080 *	0181602-K	FIAT	360	1313083080	0391184	CITROEN	292
1300721080 *	0181602-K	PEUGEOT	1073	1313083080	0391184	FIAT	387-388, 398
1300721080	0181602	CITROEN	289	1313083080	0391184	LANCIA	674
1300721080	0181602	FIAT	360	1313083080	0391184	PEUGEOT	1150
1300721080	0181602	PEUGEOT	1073	1313084080	0381184	CITROEN	292
1302368080	0401137	CITROEN	288	1313084080	0381184	FIAT	387-388, 398
1302368080	0401137	FIAT	359	1313084080	0381184	LANCIA	674
1302368080	0401137	PEUGEOT	1072	1313084080	0381184	PEUGEOT	1150
1304120	0504290	FORD	448	13131232	1214114	SAAB	1300
1304120	0504290	MAZDA	713	131331	1211135	TALBOT	1447
1304120	0504290	VOLVO	1723	131405361F	0404008	VOLKSWAGEN	1710
1304124	1216061	FORD	448, 460	131405361G	0404008	VOLKSWAGEN	1710
1306003080	0280037	CITROEN	292	131405371G	0404006	VOLKSWAGEN	1710
1306003080	0280037	FIAT	387-388, 398, 410	131405371J	0404006	VOLKSWAGEN	1710
1306003080	0280037	LANCIA	674	131415801B	0504011	VOLKSWAGEN	1709-1710
1306003080	0280037	MASERATI	706	131415801E	0504005	VOLKSWAGEN	1710
1306003080	0280037	PEUGEOT	1150	131415801F	0504005	VOLKSWAGEN	1710
1306003080	0280037	VOLVO	1739	131415802C	0504010	VOLKSWAGEN	1710
1306716080	0281143	CITROEN	288	131415802D	0504010	VOLKSWAGEN	1710
1306716080	0281143	FIAT	359	131415802E	0504004	VOLKSWAGEN	1710
1306716080	0281143	PEUGEOT	1072	131415802F	0504004	VOLKSWAGEN	1710
1307891	1214188	FORD	468	131415811	0194011	VOLKSWAGEN	1698, 1709-1710, 1714
1308600080	0391141	CITROEN	288	131415812	0184010	OPEL	1039
1308600080	0391141	FIAT	359	131415812	0184010	VOLKSWAGEN	1698, 1709-1710, 1714
1308600080	0391141	PEUGEOT	1072	131415813E	0194004	VOLKSWAGEN	1710
1308601080	0381141	CITROEN	288	131415821A	0184005	VOLKSWAGEN	1710
1308601080	0381141	FIAT	359	1315074	0284285	FORD	446
1308601080	0381141	PEUGEOT	1072	1315074	0284285	VOLVO	1716, 1721
1308664080 *	0181322-K	CITROEN	292	1315083	0294285	FORD	446
1308664080 *	0181322-K	FIAT	387-388, 398	1315083	0294285	VOLVO	1716, 1721
1308664080 *	0181322-K	LANCIA	674	1316735080	0391184	CITROEN	292
1308664080 *	0181322-K	PEUGEOT	1150	1316735080	0391184	FIAT	387-388, 398
1308664080	0181322	FIAT	387-388, 398	1316735080	0391184	LANCIA	674
1308664080	0181322	LANCIA	674	1316735080	0391184	PEUGEOT	1150
1308759080	0391140	CITROEN	289	1316735080	0391184	CITROEN	292
1308759080	0391140	FIAT	360	1316736080	0381184	FIAT	387-388, 398
1308759080	0391140	PEUGEOT	1073	1316736080	0381184	LANCIA	674
1308760080	0381140	CITROEN	289	1316736080	0381184	PEUGEOT	1150
1308760080	0381140	FIAT	360	13167940	1215813	OPEL	1008, 1033
1308760080	0381140	PEUGEOT	1073	13169439	0501744	OPEL	1019, 1021, 1069
1310333	0504290	FORD	448	13169439	0501744	VAUXHALL	1543, 1545
1310333	0504290	MAZDA	713	13169439	0504068	OPEL	1019, 1021, 1069
1310333	0504290	VOLVO	1723	1317238080	0391140	CITROEN	289
13104120	0504375	OPEL	1064				
13104120	0504375	VAUXHALL	1568				
13105744	0702133	SAAB	1300				

RIF. ORIG. O.E. NUMBER	RIF. OCAP OCAP REF.	MARCA MAKE	PAG.	RIF. ORIG. O.E. NUMBER	RIF. OCAP OCAP REF.	MARCA MAKE	PAG.
1317238080	0391140	FIAT	360	13239222	1216014	OPEL	1038
1317238080	0391140	PEUGEOT	1073	13239222	1216014	SAAB	1304
1317239080	0381140	CITROEN	289	13257785	1216013	OPEL	1037
1317239080	0381140	FIAT	360	13257785	1216013	SAAB	1303
1317239080	0381140	PEUGEOT	1073	13258052	0505167	OPEL	1023, 1038, 1070
1317240080	0391141	CITROEN	288	13258058	0505167	OPEL	1023, 1038, 1070
1317240080	0391141	FIAT	359	13267215	1216428	OPEL	1021
1317240080	0391141	PEUGEOT	1072	13271036 *	1211611	SAAB	1303
1317241080	0381141	CITROEN	288	13271036	0905169	OPEL	1037
1317241080	0381141	FIAT	359	13271036	0905169	SAAB	1303
1317241080	0381141	PEUGEOT	1072	13271996 *	0605169	OPEL	1037
1317389080	0391184	CITROEN	292	13271996 *	0605169	SAAB	1303
1317389080	0391184	FIAT	387-388, 398	13271996 *	0605169-K	OPEL	1037
1317389080	0391184	LANCIA	674	13271996	0605169-K	SAAB	1303
1317389080	0391184	PEUGEOT	1150	13272000	0288080	CHEVROLET - DAEWOO 221, 231	
1317390080	0381184	CITROEN	292	13272000	0288080	OPEL	1022, 1037, 1070
1317390080	0381184	FIAT	387-388, 398	13272000	0288080	SAAB	1303
1317390080	0381184	LANCIA	674	13272605	0395167	CHEVROLET - DAEWOO 221	
1317390080	0381184	PEUGEOT	1150	13272605	0395167	OPEL	1023
1317425080	0181322	FIAT	387-388, 398	13272606	0385167	CHEVROLET - DAEWOO 221	
1317425080	0181322	LANCIA	674	13272606	0385167	OPEL	1023
1317446	0284285	FORD	446	13273604	0395169	OPEL	1037
1317446	0284285	VOLVO	1716, 1721	13273604	0395169	SAAB	1303
1317447	0294285	FORD	446	13273605	0385169	OPEL	1037
1317447	0294285	VOLVO	1716, 1721	13273605	0385169	SAAB	1303
1317453	0604286	FORD	446	13273605	0385169	OPEL	1037
1318867	0904286	FORD	446	132776	0405014	FERRARI	338
13204115	0702133	SAAB	1300	13278357 *	1211629	CHEVROLET - DAEWOO 231	
1320755080	0391140	CITROEN	289	13278357 *	1211629	OPEL	1022
1320755080	0391140	FIAT	360	13278357	0905167	CHEVROLET - DAEWOO 231	
1320755080	0391140	PEUGEOT	1073	13278357	0905167	OPEL	1022
1320756080	0381140	CITROEN	289	13278358	0608080	CHEVROLET - DAEWOO 221	
1320756080	0381140	FIAT	360	13278358	0608080	OPEL	1022
1320756080	0381140	PEUGEOT	1073	13278359	0288080	CHEVROLET - DAEWOO 221, 231	
1320786080	0391141	CITROEN	288	13278359	0288080	OPEL	1022, 1037, 1070
1320786080	0391141	FIAT	359	13278359	0288080	SAAB	1303
1320786080	0391141	PEUGEOT	1072	1328172	0505170	SAAB	1304
1320787080	0381141	CITROEN	288	13281792	0505170	OPEL	1038
1320787080	0381141	FIAT	359	1328380	0784288	FORD	446
1320787080	0381141	PEUGEOT	1072	1328380	0784288	VOLVO	1716, 1721
13219090	1216010	CHEVROLET - DAEWOO 221		1328381	0794288	FORD	446
13219090	1216010	OPEL	1023, 1037, 1070	1328381	0794288	VOLVO	1716, 1721
13219090	1216010	SAAB	1303	13286686	0288080	CHEVROLET - DAEWOO 221, 231	
13219141	0505168	CHEVROLET - DAEWOO 221, 231		13286686	0288080	OPEL	1022, 1037, 1070
13219141	0505168	OPEL	1023, 1038, 1070	13286686	0288080	SAAB	1303
13219141	0505168	SAAB	1303	13286687	0605167	OPEL	1022
13219162	0395170	OPEL	1038	13286688	0608098	CHEVROLET - DAEWOO 231	
13219162	0395170	SAAB	1304	13286688	0608098	OPEL	1070
13219163	0385170	OPEL	1038	13286689	0905168	CHEVROLET - DAEWOO 231	
13219163	0385170	SAAB	1304	13286689	0905168	OPEL	1022, 1070
13219170	1216015	OPEL	1038	1328877	0284285	FORD	446
13219170	1216015	SAAB	1304	1328877	0284285	VOLVO	1716, 1721
1322663080	0391184	CITROEN	292	1328881	0294285	FORD	446
1322663080	0391184	FIAT	387-388, 398	1328881	0294285	VOLVO	1716, 1721
1322663080	0391184	LANCIA	674	1328882	1211421	FORD	446, 449, 461, 486
1322663080	0391184	PEUGEOT	1150	1329655	1215348	VOLVO	1744
1322664080	0381184	CITROEN	292	1329730	0702739	FORD	445, 447, 450
1322664080	0381184	FIAT	387-388, 398	1329730	0702739	MAZDA	713
1322664080	0381184	LANCIA	674	1329730	0702739	VOLVO	1717, 1723
1322664080	0381184	PEUGEOT	1150	1330238	0781839	FORD	439, 473
13230274	0702133	SAAB	1300	1330238	0781839	MAZDA	709
13230774	1216011	CHEVROLET - DAEWOO 221					
13230774	1216011	OPEL	1023, 1070				

RIF. ORIG. O.E. NUMBER	RIF. OCAP OCAP REF.	MARCA MAKE	PAG.	RIF. ORIG. O.E. NUMBER	RIF. OCAP OCAP REF.	MARCA MAKE	PAG.
1330239	0791839	FORD	439, 473	13334022	0395167	CHEVROLET - DAEWOO 221	
1330239	0791839	MAZDA	709	13334022	0395167	OPEL	1023
1330819	0490866	VOLVO	1738	13334023	0385167	CHEVROLET - DAEWOO 221	
1330820	0480866	VOLVO	1738	13334023	0385167	OPEL	1023
1330821	0490866	VOLVO	1738	1333754080	0391184	CITROEN	292
13311920	1216324	OPEL	1023-1024, 1070	1333754080	0391184	FIAT	387-388, 398
1331209080	0503818	FIAT	399	1333754080	0391184	LANCIA	674
1331209080	0503818	LANCIA	666	1333754080	0391184	PEUGEOT	1150
13313230	1216325	CHEVROLET - DAEWOO 221		1333755080	0381184	CITROEN	292
13313230	1216325	OPEL	1023-1024	1333755080	0381184	FIAT	387-388, 398
13314168	0608080	CHEVROLET - DAEWOO 221		1333755080	0381184	LANCIA	674
13314168	0608080	OPEL	1022	1333755080	0381184	PEUGEOT	1150
13314465	0605168	OPEL	1022	133407361	0400879	VOLKSWAGEN	1712-1713
1331640080	0401446	CITROEN	288	133407361A	0400879	VOLKSWAGEN	1712-1713
1331640080	0401446	FIAT	359	133407361B	0400879	VOLKSWAGEN	1712-1713
1331640080	0401446	PEUGEOT	1072	13340837	1216324	OPEL	1023-1024, 1070
1331641080	0401451	CITROEN	289	133415801	0501201	VOLKSWAGEN	1711-1712
1331641080	0401451	FIAT	360	133419804A	0504002	VOLKSWAGEN	1713
1331641080	0401451	PEUGEOT	1073	1334215	1211421	FORD	446, 449, 461, 486
13318344	0395170	OPEL	1038	1335249	0704289	FORD	448
13318344	0395170	SAAB	1304	13354440 *	1211610	CHEVROLET - DAEWOO 231	
13318345	0385170	OPEL	1038	13354440	0905168	CHEVROLET - DAEWOO 231	
13318345	0385170	SAAB	1304	13354440	0905168	OPEL	1022, 1070
13318884	0395169	OPEL	1037	13354691	1216325	CHEVROLET - DAEWOO 221	
13318884	0395169	SAAB	1303	13354691	1216325	OPEL	1023-1024
13318885	0385169	OPEL	1037	1335548	0504290	FORD	448
13318885	0385169	SAAB	1303	1335548	0504290	MAZDA	713
13318886	0395169	SAAB	1303	1335548	0504290	VOLVO	1723
13318887	0385169	SAAB	1303	13371815	1216011	CHEVROLET - DAEWOO 221	
1331937080	0391451	CITROEN	289	13371815	1216011	OPEL	1023, 1070
1331937080	0391451	FIAT	360	13391512	0502582	OPEL	1008
1331937080	0391451	PEUGEOT	1073	133944	0405010	FERRARI	338
1331938080	0391446	CITROEN	288	1339464080	0391451	CITROEN	289
1331938080	0391446	FIAT	359	1339464080	0391451	FIAT	360
1331938080	0391446	PEUGEOT	1072	1339464080	0391451	PEUGEOT	1073
1331939080	0381451	CITROEN	289	1339465080	0391446	CITROEN	288
1331939080	0381451	FIAT	360	1339465080	0391446	FIAT	359
1331939080	0381451	PEUGEOT	1073	1339465080	0391446	PEUGEOT	1072
1331940080	0381446	CITROEN	288	1339466080	0381451	CITROEN	289
1331940080	0381446	FIAT	359	1339466080	0381451	FIAT	360
1331940080	0381446	PEUGEOT	1072	1339466080	0381451	PEUGEOT	1073
1332074 **	1215721	FORD	446-447, 460	1339467080	0381446	CITROEN	288
1332074 **	1215721	MAZDA	712	1339467080	0381446	FIAT	359
1332074 **	1215721	VOLVO	1716-1717, 1721-1722	1339467080	0381446	PEUGEOT	1072
1332074	0784288	FORD	446	1345913	1214241	FORD	448
1332074	0784288	VOLVO	1716, 1721	1346384080	0393817	FIAT	399
1332075 **	1215721	FORD	446-447, 460	1346384080	0393817	LANCIA	666
1332075 **	1215721	MAZDA	712	1346385080	0383817	FIAT	399
1332075 **	1215721	VOLVO	1716-1717, 1721-1722	1346385080	0383817	LANCIA	666
1332075	0794288	FORD	446	13464344 *	0605797	OPEL	1024
1332075	0794288	VOLVO	1716, 1721	1348231	1214240	FORD	447
13321338	0395167	CHEVROLET - DAEWOO 221		1350658080 *	0182638	CITROEN	291
13321338	0395167	OPEL	1023	1350658080 *	0182638	FIAT	362
13321339	0385167	CHEVROLET - DAEWOO 221		1350658080 *	0182638	PEUGEOT	1075
13321339	0385167	OPEL	1023	1352225080	0382638	CITROEN	290
1332453	0504342	FORD	485	1352225080	0382638	FIAT	361
1332454	0784340	FORD	485	1352225080	0382638	PEUGEOT	1074
1332455	0794340	FORD	485	1352226080	0382639	CITROEN	290
1332463	0504343	FORD	485	1352226080	0382639	FIAT	361
13327928	0503139	OPEL	1046	1352226080	0382639	PEUGEOT	1074
13334021	1216011	CHEVROLET - DAEWOO 221		1352227080	0392638	CITROEN	290
13334021	1216011	OPEL	1023, 1070	1352227080	0392638	FIAT	361
				1352227080	0392638	PEUGEOT	1074

RIF. ORIG. O.E. NUMBER	RIF. OCAP OCAP REF.	MARCA MAKE	PAG.	RIF. ORIG. O.E. NUMBER	RIF. OCAP OCAP REF.	MARCA MAKE	PAG.
1352228080	0392639	CITROEN	290	1368629080	0382718	FIAT	399
1352228080	0392639	FIAT	361	1368629080	0382718	LANCIA	666
1352228080	0392639	PEUGEOT	1074	1368629080	0382718	PEUGEOT	1151
1352268080 *	0602637	CITROEN	290	1370741	0283867	FORD	495, 498
1352268080 *	0602637	FIAT	361	1371228	0793867	FORD	496
1352268080 *	0602637	PEUGEOT	1074	1371231	0783867	FORD	496
1355048	0784340	FORD	485	1374222080 *	1215822	CITROEN	290-291
1355050	0794340	FORD	485	1374222080 *	1215822	FIAT	361-362
1355449080 *	0503520	CITROEN	291	1374222080 *	1215822	PEUGEOT	1074-1075
1355449080 *	0503520	FIAT	362	1374222080	0388667	CITROEN	291
1355449080 *	0503520	PEUGEOT	1075	1374222080	0388667	FIAT	362
1356060080 *	1215647	CITROEN	276, 293	1374222080	0388667	PEUGEOT	1075
1356060080 *	1215647	FIAT	389, 399	1374223080	0398667	CITROEN	291
1356060080 *	1215647	LANCIA	666	1374223080	0398667	FIAT	362
1356060080 *	1215647	PEUGEOT	1076, 1151	1374223080	0398667	PEUGEOT	1075
1356060080	0392718	CITROEN	276	1376754	0381000	FIAT	344
1356060080	0392718	FIAT	399	1376755	0391000	FIAT	344
1356060080	0392718	LANCIA	666	1377447 *	1216365	FORD	454, 471
1356060080	0392718	PEUGEOT	1151	1377447	0708840	FORD	454, 471
1356061080 *	1215646	CITROEN	276, 293	1377449	0701535	FORD	454, 471
1356061080 *	1215646	FIAT	389, 399	1377499	0904286	FORD	446
1356061080 *	1215646	LANCIA	666	1377655	0604286	FORD	446
1356061080 *	1215646	PEUGEOT	1076, 1151	1377849	0502550	FORD	453, 470
1356061080	0382718	CITROEN	276	1377849	0502550	VOLVO	1727, 1733
1356061080	0382718	FIAT	399	1378711	0500514	FIAT	344
1356061080	0382718	LANCIA	666	1379330	0301038	FIAT	344
1356061080	0382718	PEUGEOT	1151	1379708	0190513	FIAT	344
1357319 *	1216032	FORD	445, 448	1379711	0500514	FIAT	344
1357319 **	1216191	FORD	448	1381442	0708840	FORD	454, 471
1357319	0704290	FORD	448	1381443	0701535	FORD	454, 471
1357572080 *	0182638	CITROEN	291	1387463	0600185	VOLVO	1730, 1743
1357572080 *	0182638	FIAT	362	1387627	0708840	FORD	454, 471
1357572080 *	0182638	PEUGEOT	1075	1387628	0701535	FORD	454, 471
1359225080 *	0602637	CITROEN	290	1387860	0501681	ALFA ROMEO	28
1359225080 *	0602637	FIAT	361	1387860	0501681	FIAT	383
1359225080 *	0602637	PEUGEOT	1074	1387860	0501681	OPEL	1033
1359226080 *	0602637	CITROEN	290	1387860	0501681	VOLVO	1729, 1745
1359226080 *	0602637	FIAT	361	1388549	0284285	FORD	446
1359226080 *	0602637	PEUGEOT	1074	1388549	0284285	VOLVO	1716, 1721
1359227080 *	0602637	CITROEN	290	1391347	1215951	IVECO	590
1359227080 *	0602637	FIAT	361	1391348	1215952	IVECO	590
1359227080 *	0602637	PEUGEOT	1074	13H3101	1211160	ROVER GROUP	1274
1359347	0600184	VOLVO	1743	1400099680	0502735	CITROEN	293
1359398080	0392718	CITROEN	276	1400099680	0502735	FIAT	389
1359398080	0392718	FIAT	399	1400099680	0502735	PEUGEOT	1076
1359398080	0392718	LANCIA	666	1400589180	0502736	PEUGEOT	1076
1359398080	0392718	PEUGEOT	1151	1401381380	0602733	FIAT	389
1359399080	0382718	CITROEN	276	1403200889	0501743	MERCEDES	820
1359399080	0382718	FIAT	399	1403201189	0592179	MERCEDES	819
1359399080	0382718	LANCIA	666	1403201289	0582179	MERCEDES	819
1359399080	0382718	PEUGEOT	1151	1403201789	0504157	MERCEDES	819
1359590	0400868	VOLVO	1730, 1744	1403203589	0501743	MERCEDES	820
1363095080	0392718	CITROEN	276	1403230985	1214197	MERCEDES	787, 819
1363095080	0392718	FIAT	399	1403231085	1214196	MERCEDES	819
1363095080	0392718	LANCIA	666	1403231485	1214214	MERCEDES	819
1363095080	0392718	PEUGEOT	1151	1403231985	1214213	MERCEDES	787
1363096080	0382718	CITROEN	276	1403300003	0502177	MERCEDES	818
1363096080	0382718	FIAT	399	1403300018	0901737	MERCEDES	819
1363096080	0382718	LANCIA	666	1403305807	0392180-K	MERCEDES	818
1363096080	0382718	PEUGEOT	1151	1403305907	0382180-K	MERCEDES	818
1368628080	0392718	CITROEN	276	1403306007	0901736	MERCEDES	819
1368628080	0392718	FIAT	399	1403306307	0901736	MERCEDES	819
1368628080	0392718	LANCIA	666	1403306407	0792181	MERCEDES	819
1368628080	0392718	PEUGEOT	1151	1403306507	0782181	MERCEDES	819
1368629080	0382718	CITROEN	276	1403307007	0792181	MERCEDES	819

RIF. ORIG. O.E. NUMBER	RIF. OCAP OCAP REF.	MARCA MAKE	PAG.	RIF. ORIG. O.E. NUMBER	RIF. OCAP OCAP REF.	MARCA MAKE	PAG.
1403307107	0782181	MERCEDES	819	1454202	1211098	FORD	426
1403307607 **	0901735	MERCEDES	818	1454203 *	0901016	FORD	426
1403307607	0392180-K	MERCEDES	818	1454203	1211097	FORD	426
1403307707 **	1215224	MERCEDES	818	1454584	0305586	FORD	476
1403307707	0382180-K	MERCEDES	818	1454896	0285586	FORD	476
1403308207	0901736	MERCEDES	819	1454897	0295586	FORD	476
1403330327	0402182	MERCEDES	819	1454898	0295587	FORD	476
1403500870	0900721	MERCEDES	764, 766, 769, 780, 784, 787, 790, 820, 829, 835	1454901	0405586	FORD	476
1403501070	0900721	MERCEDES	764, 766, 769, 780, 784, 787, 790, 820, 829, 835	1454901	0405586	MAZDA	732
1403501170	0900721	MERCEDES	764, 766, 769, 780, 784, 787, 790, 820, 829, 835	1454902	0405586	FORD	476
1403501853	0501738	MERCEDES	820	1454902	0405586	MAZDA	732
1403502453 *	0501738-K	MERCEDES	820	1457609 *	1216033	FORD	454, 471
1403502453	0501738	MERCEDES	820	1457609	0301534	FORD	454, 471
1403503406	0501740	MERCEDES	820	1460179	0380412	FORD	426
1403503506 *	1215247	MERCEDES	820	1460180	0390412	FORD	426
1403503506 **	1215263	MERCEDES	820	1466186	0782492	FORD	453, 470
1403503506	0501742	MERCEDES	820	1466188	0792492	FORD	453, 470
1403503606	0501741	MERCEDES	820	1469125 *	1216364	FORD	454, 471
1403505406	0901740	MERCEDES	820	1469125	0708840	FORD	454, 471
1403506006	0901741	MERCEDES	820	1469208	0504290	FORD	448
1403506006	0901742	MERCEDES	820	1469208	0504290	MAZDA	713
1403528465	1215225	MERCEDES	820	1469208	0504290	VOLVO	1723
1404600805	0502176	MERCEDES	818	1470387	0403135	FORD	447
1404600819	0902148	MERCEDES	818	1470387	0403135	VOLVO	1717, 1722
1404785	0294285	FORD	446	1471654080	0601139	CITROEN	288
1404785	0294285	VOLVO	1716, 1721	1471654080	0601139	FIAT	359
1404976	1216107	FORD	471	1471654080	0601139	PEUGEOT	1072
1404977	1216106	FORD	471	1471655080	0281143	CITROEN	288
1412951	1214006	FORD	426, 484	1471655080	0281143	FIAT	359
1417351	0403867	FORD	496, 499	1471655080	0281143	PEUGEOT	1072
1417352	0403869	FORD	495, 498	1476246	0280655	FORD	420, 483
1420795	0783135	FORD	447	1479759080	1216436	CITROEN	292
1420795	0783135	VOLVO	1717, 1722	1479759080	1216436	FIAT	387-388, 398
1420858	0793135	FORD	447	1479759080	1216436	LANCIA	674
1420858	0793135	VOLVO	1717, 1722	1479759080	1216436	PEUGEOT	1150
1421954	0708840	FORD	454, 471	1481650	0190658	FORD	488
1425853	0502495	FORD	454, 471	1481651	0180658	FORD	488
1426770 *	1216034	FORD	454, 471	1484033	0702739	FORD	445, 447, 450
1426770	0701535	FORD	454, 471	1484033	0702739	MAZDA	713
1426770	0701535	VOLVO	1727	1484033	0702739	VOLVO	1717, 1723
1433271	0602491	FORD	453, 470	1487402	0904165	FORD	445, 448
1433271	0602491	LAND ROVER	685	1487402	0904165	MITSUBISHI	877
1433271	0602491	VOLVO	1726, 1732	1487402	0904165	SMART	1402
1433273	0282490	FORD	453, 470	1487654	1214005	FORD	426
1433274	0292490	FORD	453, 470	1488110 *	1215719	FORD	446-447, 460
1433294	0502550	FORD	453, 470	1488110 *	1215719	VOLVO	1716-1717, 1721-1722
1433372	0902491	FORD	453, 470	1488110	0783135	FORD	447
1438253	0783867	FORD	496	1488110	0783135	VOLVO	1717, 1722
1438254	0793867	FORD	496	1488111	0793135	FORD	447
1447222	0280055	FORD	426-428, 432- 433	1488111	0793135	VOLVO	1717, 1722
1448127	0704285	FORD	445, 447, 462	1490759	0283867	FORD	495, 498
1448485	0789225	FORD	458, 482	1494903	0402070	FORD	483
1448487	0799225	FORD	458, 482	1495683	0783867	FORD	496
1451914	0403869	FORD	495, 498	1495684	0793867	FORD	496
1451917	0403867	FORD	496, 499	1495685	0503254	FORD	496, 499
1454202 *	0901016	FORD	426	1495717	1215678	FORD	495-496
				1497407080 *	1215646	CITROEN	276, 293
				1497407080 *	1215646	FIAT	389, 399
				1497407080 *	1215646	LANCIA	666
				1497407080 *	1215646	PEUGEOT	1076, 1151
				1497407080	0382734	CITROEN	293
				1497407080	0382734	FIAT	389
				1497407080	0382734	PEUGEOT	1076
				1497408080 *	1215647	CITROEN	276, 293

RIF. ORIG. O.E. NUMBER	RIF. OCAP OCAP REF.	MARCA MAKE	PAG.	RIF. ORIG. O.E. NUMBER	RIF. OCAP OCAP REF.	MARCA MAKE	PAG.
1497408080 *	1215647	FIAT	389, 399	1541324	0402071	FORD	483
1497408080 *	1215647	LANCIA	666	1541354 *	0903882	FORD	459
1497408080 *	1215647	PEUGEOT	1076, 1151	1541355 *	0903882	FORD	459
1497408080	0392734	CITROEN	293	1541485	0286494	FORD	460
1497408080	0392734	FIAT	389	1541488	0296494	FORD	460
1497408080	0392734	PEUGEOT	1076	1543820	0293882	FORD	459
1497552080	0602733	FIAT	389	1543821	0283882	FORD	459
1500682	0508070	FORD	450	1545338	0283250	FORD	424, 441, 487
1501853	0286494	FORD	460	1545339	0293250	FORD	424, 441, 487
1501855	0296494	FORD	460	1545456	0903250	FORD	441
1502086 *	0486494	FORD	460-461	1545457	0603251	FORD	441, 487
1502086	0786494	FORD	460	1546259	0293882	FORD	459
1502087 *	0496494	FORD	460-461	1546260	0283882	FORD	459
1502087	0796494	FORD	460	1546265 *	1211470	FIAT	377, 379, 415
1502440	0704285	FORD	445, 447, 462	1546265 *	1211470	FORD	459, 487
1502681	0506494-K	FORD	460, 462	1546265 *	1211470	LANCIA	673
1507181	0782492	FORD	453, 470	1546265	0903883	FORD	424, 459, 487
1507182	0792492	FORD	453, 470	1548460 *	1216032	FORD	445, 448
1507333	1211101	FORD	420	1548460	0704289	FORD	448
1507336	1211102	FORD	420	15503721 *	0181304-K	ALFA ROMEO	15
1510270	0604345	FORD	446, 449, 460-461, 486	15503721 *	0181304-K	FIAT	350
1510270	0604345	VOLVO	1716, 1721	15503721 *	0181304-K	LANCIA	668
1513343	0503253	FORD	424, 442-443, 487	15503811 *	0181322-K	CITROEN	292
1513343	0503253	MAZDA	711	15503811 *	0181322-K	FIAT	387-388, 398
151577	0402073	FORD	420	15503811 *	0181322-K	LANCIA	674
1517403	0702739	FORD	445, 447, 450	15503811 *	0181322-K	PEUGEOT	1150
1517403	0702739	MAZDA	713	15503811 *	0181602-K	CITROEN	289
1517403	0702739	VOLVO	1717, 1723	15503811 *	0181602-K	FIAT	360
1518904	0783252	FORD	441	15503811 *	0181602-K	PEUGEOT	1073
1518904	0783252	MAZDA	711	15503811	0181602	CITROEN	289
1520778	0783252	FORD	441	15503811	0181602	FIAT	360
1520778	0783252	MAZDA	711	15503811	0181602	PEUGEOT	1073
1521097	1215438	FORD	488, 491-492	1553239	0783867	FORD	496
1521773	0793252	FORD	441	1553250	0793867	FORD	496
1521773	0793252	MAZDA	711	155422803	0501234	VOLKSWAGEN	1591
1522081S	1215525	FORD	468	1563300100	0398666	MERCEDES	759, 777
1522081S	1215525	JAGUAR	596	1563300200	0388666	MERCEDES	759, 777
1522130S	1215524	FORD	468	1563300500	0398666	MERCEDES	759, 777
1522130S	1215524	JAGUAR	596	1563300600	0388666	MERCEDES	759, 777
1522781	0400940	FORD	433-434	1569210	0794287	FORD	448
1524-99-324	0293411	MAZDA	735	1569211	0784287	FORD	448
1528314	1214193	FORD	442	1570284	0783135	FORD	447
1532421 *	0403252	FORD	424, 441-442, 487	1570284	0783135	VOLVO	1717, 1722
1532421 *	0403252	MAZDA	711	1570285	0793135	FORD	447
1532421	0783252	FORD	441	1570285	0793135	VOLVO	1717, 1722
1532421	0783252	MAZDA	711	1571221	0280055	FORD	426-428, 432-433
1532433 *	0403252	FORD	424, 441-442, 487	1576925	0784287	FORD	448
1532433 *	0403252	MAZDA	711	1576927	0794287	FORD	448
1532433	0793252	FORD	441	1579763	0402073	FORD	420
1532433	0793252	MAZDA	711	1580514	0392685	FORD	459
1535296	1216427	FORD	442	1580515	0382685	FORD	459
1540244	0392685	FORD	459	1591066	0400102	FORD	432
1540246	0382685	FORD	459	1596574	0602491	FORD	453, 470
1540724 *	1215969	FORD	441-442, 487	1596574	0602491	LAND ROVER	685
1540724 *	1215969	MAZDA	711	1596574	0602491	VOLVO	1726, 1732
1540724	0783252	FORD	441	1603008 *	0601883	OPEL	1031
1540724	0783252	MAZDA	711	1603008 *	0601883	VAUXHALL	1557
1540725 *	1215968	FORD	441	1603008	0601883-K	OPEL	1031
1540725 *	1215968	MAZDA	711	1603008	0601883-K	VAUXHALL	1557
1540725	0793252	FORD	441	1603009	0281884	OPEL	1031
1540725	0793252	MAZDA	711	1603009	0281884	VAUXHALL	1557
1540725	0793252	MAZDA	711	1603016 *	0604352	OPEL	1044
1540725	0793252	MAZDA	711	1603016 *	0604352	VAUXHALL	1560
1540725	0793252	MAZDA	711	1603016	0604352-K	OPEL	1044

RIF. ORIG. O.E. NUMBER	RIF. OCAP OCAP REF.	MARCA MAKE	PAG.	RIF. ORIG. O.E. NUMBER	RIF. OCAP OCAP REF.	MARCA MAKE	PAG.
1603016	0604352-K	VAUXHALL	1560	1603240	0284351	VAUXHALL	1560
1603017 *	0601884	OPEL	1031	1603241	0904356	OPEL	1044
1603017	0601884-K	OPEL	1031	1603244 *	0604373	OPEL	1063
1603018 *	0602140	OPEL	1031	1603244 *	0604373	VAUXHALL	1567
1603018	0602140-K	OPEL	1031	1603244	0604373-K	OPEL	1063
1603115	0400761	OPEL	1041	1603244	0604373-K	VAUXHALL	1567
1603115	0400761	VAUXHALL	1540	1603252 *	0604372	OPEL	1063
1603120	0400764	CHEVROLET - DAEWOO 223		1603252 *	0604372	VAUXHALL	1567
1603120	0400764	OPEL	1042-1043	1603252	0604372-K	OPEL	1063
1603120	0400764	VAUXHALL	1540-1541	1603252	0604372-K	VAUXHALL	1567
1603121	0400773	GENERAL MOTORS	501	1603256 *	0601746	OPEL	1018, 1020
1603121	0400773	OPEL	1014, 1016	1603256 *	0601746	VAUXHALL	1543-1544
1603121	0400773	VAUXHALL	1542, 1551	1603256	0601746-K	OPEL	1020
1603128	0400752	OPEL	1026, 1028	1603256	0601746-K	VAUXHALL	1544
1603128	0400752	VAUXHALL	1554, 1562	1603257	0284357	OPEL	1020, 1045, 1068
1603148	0505555	CHEVROLET - DAEWOO 223		1603257	0284357	VAUXHALL	1544
1603148	0505555	OPEL	1041-1043	1603258	0294357	OPEL	1020, 1045, 1068
1603161	0400752	OPEL	1026, 1028	1603258	0294357	VAUXHALL	1544
1603161	0400752	VAUXHALL	1554, 1562	1603258	0294357	OPEL	1020, 1045, 1068
1603163	0400773	GENERAL MOTORS	501	1603258	0294357	VAUXHALL	1544
1603163	0400773	OPEL	1014, 1016	1603264 *	0604358	OPEL	1020
1603163	0400773	VAUXHALL	1542, 1551	1603264 *	0604358	VAUXHALL	1544
1603164	0400764	CHEVROLET - DAEWOO 223		1603264	0604358-K	OPEL	1020
1603164	0400764	OPEL	1042-1043	1603264	0604358-K	VAUXHALL	1544
1603164	0400764	VAUXHALL	1540-1541	1603265	0602139-K	OPEL	1068
1603167	0400773	GENERAL MOTORS	501	1603266	0294357	OPEL	1020, 1045, 1068
1603167	0400773	OPEL	1014, 1016	1603266	0294357	VAUXHALL	1544
1603167	0400773	VAUXHALL	1542, 1551	1603267	0284357	OPEL	1020, 1045, 1068
1603187	0400752	OPEL	1026, 1028	1603267	0284357	VAUXHALL	1544
1603187	0400752	VAUXHALL	1554, 1562	1603268	0602139-K	OPEL	1068
1603198	0601691	OPEL	1061	1603287 *	0602138	OPEL	1068
1603198	0601691	VAUXHALL	1565	1603287	0602138-K	OPEL	1068
1603199	0601692	OPEL	1061	1603288	0284357	OPEL	1020, 1045, 1068
1603199	0601692	VAUXHALL	1565	1603288	0284357	VAUXHALL	1544
1603202	0400395	OPEL	1030	1603289	0294357	OPEL	1020, 1045, 1068
1603202	0400395	VAUXHALL	1556	1603289	0294357	VAUXHALL	1544
1603206	0601691	OPEL	1061	1603358	0602139-K	OPEL	1068
1603206	0601691	VAUXHALL	1565	1603359 *	0602139	OPEL	1068
1603213	0601745	OPEL	1018	1603359	0602139-K	OPEL	1068
1603213	0601745	VAUXHALL	1543	1603416	0604373	FIAT	351
1603214	0281747	OPEL	1018	1603430	0284351	OPEL	1044
1603214	0281747	VAUXHALL	1543	1603430	0284351	VAUXHALL	1560
1603215	0281747	OPEL	1018	1603542	0281747	OPEL	1018
1603215	0281747	VAUXHALL	1543	1603542	0281747	VAUXHALL	1543
1603216 *	0601746	OPEL	1018, 1020	1603543 *	0602583	ALFA ROMEO	28
1603216 *	0601746	VAUXHALL	1543-1544	1603543 *	0602583	FIAT	383
1603216	0601746-K	OPEL	1020	1603543 *	0602583	OPEL	1008, 1033
1603216	0601746-K	VAUXHALL	1544	1603543	0602583-K	OPEL	1033
1603227	0293802	FIAT	351	1603544	0292356	ALFA ROMEO	28
1603227	0293802	OPEL	1063	1603544	0292356	FIAT	383
1603227	0293802	SAAB	1299, 1301	1603544	0292356	OPEL	1008, 1033
1603227	0293802	VAUXHALL	1567	1603545	0282356	ALFA ROMEO	28
1603228	0283802	FIAT	351	1603545	0282356	FIAT	383
1603228	0283802	OPEL	1063	1603545	0282356	OPEL	1008, 1033
1603228	0283802	SAAB	1299, 1301	1603843 *	0602140	OPEL	1031
1603228	0283802	VAUXHALL	1567	1603843	0602140-K	OPEL	1031
1603229 *	0603803	OPEL	1063	1603844	0601884-K	OPEL	1031
1603229 *	0603803	VAUXHALL	1567	1603845	0601883-K	OPEL	1031
1603229	0603803-K	OPEL	1063	1603845	0601883-K	VAUXHALL	1557
1603229	0603803-K	VAUXHALL	1567	1607323580	0591657	PEUGEOT	1147
1603239 *	0604353	OPEL	1044	1607323680	0581657	PEUGEOT	1147
1603239 *	0604353	VAUXHALL	1560	1607498780	0708839	CITROEN	266, 285
1603239	0604353-K	OPEL	1044				
1603239	0604353-K	VAUXHALL	1560				
1603240	0284351	OPEL	1044				

RIF. ORIG. O.E. NUMBER	RIF. OCAP OCAP REF.	MARCA MAKE	PAG.	RIF. ORIG. O.E. NUMBER	RIF. OCAP OCAP REF.	MARCA MAKE	PAG.
1607498780	0708839	MITSUBISHI	867, 889, 902	1609121	0901883	VAUXHALL	1557
1607498780	0708839	PEUGEOT	1153, 1155	1609132	0904374	OPEL	1063
1607502280 *	0908669	CITROEN	265	1609132	0904374	VAUXHALL	1567
1607502280 *	0908669	MITSUBISHI	866, 903	1609153 *	1211458	OPEL	1020, 1068
1607502280 *	0908669	PEUGEOT	1154	1609153 *	1211458	VAUXHALL	1544
1607502480	0288077	CITROEN	265, 285	1609153	0904358	OPEL	1020, 1068
1607502480	0288077	MITSUBISHI	866, 888, 902- 903	1609153	0904358	VAUXHALL	1544
1607502480	0288077	PEUGEOT	1153-1154	1609182	0905168	CHEVROLET - DAEWOO	231
1607502580 *	0604134	CITROEN	265	1609182	0905168	OPEL	1022, 1070
1607502580 *	0604134	MITSUBISHI	866, 903	1609184	0608098	CHEVROLET - DAEWOO	231
1607502580 *	0604134	PEUGEOT	1154	1609184	0608098	OPEL	1070
1608025180	0295580	CITROEN	267	1609200	0905595	CHEVROLET - DAEWOO	219, 235
1608025180	0295580	PEUGEOT	1102, 1104	1609200	0905595	OPEL	1047
1608025280	0285580	CITROEN	267	1609201	0905594	CHEVROLET - DAEWOO	219, 235
1608025280	0285580	PEUGEOT	1102, 1104	1609201	0905594	OPEL	1047
1608025380	0605580	CITROEN	267	1609203	0285745	CHEVROLET - DAEWOO	235
1608025380	0605580	PEUGEOT	1102, 1104	1609203	0285745	OPEL	1047
1608025480	0905580	CITROEN	267	1609205	0605745	CHEVROLET - DAEWOO	235
1608025480	0905580	PEUGEOT	1102, 1104	1609205	0605745	OPEL	1047
1608532180*	0908669	CITROEN	265	1609211	0602583	ALFA ROMEO	28
1608532180*	0908669	MITSUBISHI	866, 903	1609211	0602583	FIAT	383
1608532180*	0908669	PEUGEOT	1154	1609211	0602583	OPEL	1008, 1033
1608652180	0602393	CITROEN	286	1609212	0905594	CHEVROLET - DAEWOO	219, 235
1608652180	0602393	PEUGEOT	1105	1609212	0905594	OPEL	1047
1609000 *	0603139	OPEL	1045	1609213	0605594	CHEVROLET - DAEWOO	219, 235
1609000	0603139-K	OPEL	1045	1609213	0605594	OPEL	1047
1609011 *	0603140	OPEL	1045	1609347	0902586	OPEL	1008, 1033
1609011	0603140-K	OPEL	1045	1609356	0903139	OPEL	1045
1609026	0288080	CHEVROLET - DAEWOO	221, 231	1609357 *	1211611	OPEL	1037
1609026	0288080	OPEL	1022, 1037, 1070	1609357 *	1211611	SAAB	1303
1609026	0288080	SAAB	1303	1609357	0905169	OPEL	1037
1609027	0605167	OPEL	1022	1609357	0905169	SAAB	1303
1609028 *	1211610	OPEL	1022, 1070	1609913480	0708670	CITROEN	266
1609028	0905168	CHEVROLET - DAEWOO	231	1609913480	0708670	MITSUBISHI	867, 904
1609028	0905168	OPEL	1022, 1070	1609913480	0708670	PEUGEOT	1155
1609029	0605168	OPEL	1022	1610365	1211164	FORD	430, 480
1609050	0604373	FIAT	351	16104111 *	0181316-K	FIAT	350
1609068	1211253	OPEL	1015	1610817580	0905769	CITROEN	269
1609076	1211252	OPEL	1015	1610817580	0905769	OPEL	1036
1609087	0900363	OPEL	1027, 1029	1610817580	0905769	PEUGEOT	1123, 1152
1609087	0900363	VAUXHALL	1553, 1555	1610817680	0601513	CITROEN	269
1609095 *	1211255	OPEL	1061	1610817680	0601513	OPEL	1036
1609095 *	1211255	VAUXHALL	1565	1610817680	0601513	PEUGEOT	1152
1609095	0901692	OPEL	1061	1610817780	0295769	CITROEN	269
1609095	0901692	VAUXHALL	1565	1610817780	0295769	OPEL	1036
1609096 *	1211254	OPEL	1061	1610817780	0295769	PEUGEOT	1123, 1152
1609096 *	1211254	VAUXHALL	1565	1610817880	0285769	CITROEN	269
1609096	0901691	OPEL	1061	1610817880	0285769	OPEL	1036
1609096	0901691	VAUXHALL	1565	1610817880	0285769	PEUGEOT	1123, 1152
1609109 *	1211300	OPEL	1018, 1020, 1068	1610930280	0503211	CITROEN	264, 270
1609109 *	1211300	VAUXHALL	1543-1544	1610930280	0503211	OPEL	1036
1609109	0901746	OPEL	1018, 1020, 1068	1610930280	0503211	PEUGEOT	1121, 1124, 1152
1609109	0901746	VAUXHALL	1543-1544	1610936080	0292130	CITROEN	256
1609113 **	1211300	OPEL	1018, 1020, 1068	1610936080	0292130	PEUGEOT	1093
1609113 **	1211300	VAUXHALL	1543-1544	1610936080	0292130	TOYOTA	1463
1609113	0901746	OPEL	1018, 1020, 1068	1610936180	0282130	CITROEN	256
1609113	0901746	VAUXHALL	1543-1544	1610936180	0282130	PEUGEOT	1093
1609121 *	1211379	OPEL	1031	1610936180	0282130	TOYOTA	1463
1609121 *	1211379	VAUXHALL	1557	1611242380	0605769	PEUGEOT	1123
1609121	0901883	OPEL	1031	1612448380	0798077	CITROEN	265, 285
				1612448380	0798077	MITSUBISHI	866, 888, 902- 903
				1612448380	0798077	PEUGEOT	1153-1154
				1612448480	0788077	CITROEN	265, 285

RIF. ORIG. O.E. NUMBER	RIF. OCAP OCAP REF.	MARCA MAKE	PAG.	RIF. ORIG. O.E. NUMBER	RIF. OCAP OCAP REF.	MARCA MAKE	PAG.
1612448480	0788077	MITSUBISHI	866, 888, 902-903	1633380015	0291953	MERCEDES	804
1612448480	0788077	PEUGEOT	1153-1154	1633380115	0281953	MERCEDES	804
1612735580	0388667	CITROEN	291	1633380215	0601954	MERCEDES	804
1612735580	0388667	FIAT	362	1633380315	0291953	MERCEDES	804
1612735580	0388667	PEUGEOT	1075	1633500013	0402347	MERCEDES	805
1612735680	0398667	CITROEN	291	1633500113	0402347	MERCEDES	805
1612735680	0398667	FIAT	362	1633500353	0382204	MERCEDES	805
1612735680	0398667	PEUGEOT	1075	1633500453	0392204	MERCEDES	805
1612753380	0798669	CITROEN	265	1633500553	0392204	MERCEDES	805
1612753380	0798669	MITSUBISHI	866, 888, 903	1633500606	0902204	MERCEDES	805
1612753380	0798669	PEUGEOT	1154	1633500653 *	1215788	MERCEDES	805
1612753580	0788669	CITROEN	265	1633500653	0382204	MERCEDES	805
1612753580	0788669	MITSUBISHI	866, 888, 903	1633520001	0392341	MERCEDES	805
1612753580	0788669	PEUGEOT	1154	1633520101	0382341	MERCEDES	805
1612754780	0708670	CITROEN	266	1633520401	0392341	MERCEDES	805
1612754780	0708670	MITSUBISHI	867, 904	1633520501	0382341	MERCEDES	805
1612754780	0708670	PEUGEOT	1155	1634900	1214184	FORD	429
1613106	0601113	FORD	480	1634901	1214183	FORD	429
1613139	0402071	FORD	483	1637182	0380645	FORD	429
1614191480	0792131	CITROEN	256	1637184	0390645	FORD	429
1614191480	0792131	PEUGEOT	1093	1639574	0392685	FORD	459
1614191480	0792131	TOYOTA	1463	1639575	0382685	FORD	459
1614191680	0782131	CITROEN	256	164002101900	0402035	ALFA ROMEO	14
1614191680	0782131	PEUGEOT	1093	164002101900	0402035	LANCIA	668
1614191680	0782131	TOYOTA	1463	164002302801	0602028	ALFA ROMEO	14
1614281180	0503211	CITROEN	264, 270	164002302801	0602028	FIAT	348
1614281180	0503211	OPEL	1036	164002302801	0602028	LANCIA	667
1614281180	0503211	PEUGEOT	1121, 1124, 1152	164002309001	0282029	ALFA ROMEO	14
1619061 *	0900978	FORD	480	164002309001	0282029	FIAT	348
1619061	1211067	FORD	428, 430, 433, 477, 480	164002309001	0282029	LANCIA	657, 662, 667
1619120	1215011	FORD	427, 429, 432, 481	1640853	0380250	FORD	431, 478, 481
1623140880	0608886	CITROEN	259	1640854	0390250	FORD	431, 478, 481
1623141080	0298886	CITROEN	259	164102101900	0400556	ALFA ROMEO	15
1623141180	0288886	CITROEN	259	1643201232	0502676	MERCEDES	808, 811, 813
1630154	0380250	FORD	431, 478, 481	1643201332	0502679	MERCEDES	807, 812
1630155	0390250	FORD	431, 478, 481	1643202132	0502679	MERCEDES	807, 812
1631619	1214021	FORD	494	1643260681	1215838	MERCEDES	808, 810, 813
163203 *	0901198	TALBOT	1443, 1451	1643300935	0402668	MERCEDES	807, 812
163203	1211136	TALBOT	1443, 1451	1643301103	0292666	MERCEDES	806
1632766	0380250	FORD	431, 478, 481	1643301203	0282666	MERCEDES	806
1632767	0390250	FORD	431, 478, 481	1643301707	0392669	MERCEDES	807
16329000	0190857	TALBOT	1442	1643301807	0382669	MERCEDES	807
1633200032	0502347	MERCEDES	805	1643302507	0392669	MERCEDES	807
1633200090	0981966	MERCEDES	805	1643302607	0382669	MERCEDES	807
1633200190	0991966	MERCEDES	805	1643302907	0392669	MERCEDES	807
1633300003	0281953	MERCEDES	804	1643303007	0382669	MERCEDES	807
1633300035	0401951	MERCEDES	804	1643303407 *	1215834	MERCEDES	807
1633300075	1215516	MERCEDES	804	1643303407	0392669	MERCEDES	807
1633300103	0291953	MERCEDES	804	1643303507 **	1215835	MERCEDES	807
1633300135	0401951	MERCEDES	804	1643303507	0382669	MERCEDES	807
1633300175	0901956	MERCEDES	804-805	1643310442	1216219	MERCEDES	807
1633300203	0281953	MERCEDES	804	1643310542	1216220	MERCEDES	807
1633300275 *	1215814	MERCEDES	805	1643330314	1215832	MERCEDES	807, 812
1633300275	0902595	MERCEDES	805	1643330414	1215833	MERCEDES	807, 812
1633300403	0281953	MERCEDES	804	1643500053	0502675	MERCEDES	808, 810, 813
1633300407	0391951	MERCEDES	804	1643500606	0392672	MERCEDES	808, 813
1633300507	0381951	MERCEDES	804	1643500706	0382672	MERCEDES	808, 813
1633330001	0391952	MERCEDES	804	1643501306 *	1215840	MERCEDES	772, 776, 796, 801, 808, 810, 813
1633330101 *	1215517	MERCEDES	804-805	1643501306	0792674	MERCEDES	808, 813
1633330101	0381952	MERCEDES	804	1643501406	0302673	MERCEDES	808, 813
				1643501606 *	1215839	MERCEDES	808, 810, 813
				1643501606	0782674	MERCEDES	808, 813
				1643501906	0392672	MERCEDES	808, 813

RIF. ORIG. O.E. NUMBER	RIF. OCAP OCAP REF.	MARCA MAKE	PAG.	RIF. ORIG. O.E. NUMBER	RIF. OCAP OCAP REF.	MARCA MAKE	PAG.
1643502006	0382672	MERCEDES	808, 813	1683201189	0501476	MERCEDES	755
1643520127	0402672	MERCEDES	808, 810, 813	1683230385	1214225	MERCEDES	755
1643520165	1215837	MERCEDES	808, 810, 813	1683300807	0790238	MERCEDES	755
1643520327	0402672	MERCEDES	808, 810, 813	1683300907	0780238	MERCEDES	755
1644600005	0602667	MERCEDES	806, 812	1683301107	0790238	MERCEDES	755
1644600096 *	1211466	MERCEDES	806, 812	1683301135	0290236	MERCEDES	755
1644600096	0902667	MERCEDES	806, 812	1683301207	0780238	MERCEDES	755
1652910 *	0900653	FORD	429	1683301235	0280236	MERCEDES	755
1652910	1215043	FORD	429	1683301335	0600237	MERCEDES	755
1652936	1215396	FORD	434	1683301707	0790238	MERCEDES	755
1656748	0380250	FORD	431, 478, 481	1683301807	0780238	MERCEDES	755
1656749	0390250	FORD	431, 478, 481	1683302307	0790238	MERCEDES	755
1656752	1215017	FORD	431, 478, 481	1683302407	0780238	MERCEDES	755
1658595	0400082	FORD	489, 491-492	1683330014	1215286	MERCEDES	755
1659374	0600735	FORD	433, 435	1683330127	0400238	MERCEDES	755
1661237	0501329	FORD	431, 437, 439, 458, 473, 482	1683330214	1215285	MERCEDES	755
1661237	0501329	MAZDA	709	1683330714	1215286	MERCEDES	755
1663200789	0595784	MERCEDES	809	1683463	0702739	FORD	445, 447, 450
1663200889	0585784	MERCEDES	809	1683463	0702739	MAZDA	713
1663201100	0595784	MERCEDES	809	1683463	0702739	VOLVO	1717, 1723
1663201200	0585784	MERCEDES	809	1683501308	0902596	MERCEDES	756
1663260281	1215838	MERCEDES	808, 810, 813	1683501408	0902598	MERCEDES	756
1663300107	0395784	MERCEDES	809	1683501808	0902596	MERCEDES	756
1663300143 *	1216281	MERCEDES	809	1683510142	1216189	MERCEDES	756
1663300143	1216280	MERCEDES	809	1683511142	1216188	MERCEDES	756
1663300207	0385784	MERCEDES	809	1684630196	1211210	MERCEDES	755
1663300235	0405784	MERCEDES	809	1686587	0704498	FORD	445, 448, 450
1663300243 *	1216281	MERCEDES	809	1686587	0704498	MAZDA	713
1663300243	1216279	MERCEDES	809	1686587	0704498	VOLVO	1717, 1723
1663300403	0285784	MERCEDES	809	1686594	0504346	FORD	447, 449, 460- 461, 486
1663301707	0395785	MERCEDES	809	1686594	0504346	MAZDA	713
1663301807 *	1216317	MERCEDES	809	1686594	0504346	VOLVO	1717, 1722
1663301807	0385785	MERCEDES	809	1689810318	0902333	MERCEDES	756
1663310042	1216219	MERCEDES	807	1689810518	0902333	MERCEDES	756
1663310142	1216220	MERCEDES	807	1693200989	0504464	MERCEDES	758
1663330000	1215836	MERCEDES	806, 812	1693201389	0504464	MERCEDES	758
1663330100	1216278	MERCEDES	809	1693300403	0994448	MERCEDES	757
1663330200	1216277	MERCEDES	809	1693300503	0294445	MERCEDES	757
1663330214	1216278	MERCEDES	809	1693300507 *	1215728	MERCEDES	758
1663330414	1216277	MERCEDES	809	1693300507	0794449	MERCEDES	758
1663330714	1215836	MERCEDES	806, 812	1693300603	0284445	MERCEDES	757
1663380315	0605784	MERCEDES	809	1693300607 *	1215727	MERCEDES	758
1663500053	0502675	MERCEDES	808, 810, 813	1693300607	0784449	MERCEDES	758
1663500106 *	1215840	MERCEDES	772, 776, 796, 801, 808, 810, 813	1693300703 *	0604448	MERCEDES	757
1663500106	0795785	MERCEDES	810	1693300703	0984448	MERCEDES	757
1663500206 *	1215839	MERCEDES	808, 810, 813	1693300707	0794449	MERCEDES	758
1663500206	0785785	MERCEDES	810	1693300803 *	0602112	MERCEDES	757
1663500306	0305786	MERCEDES	810	1693300803	0982112	MERCEDES	757
1663500906	0395787	MERCEDES	810	1693300807	0784449	MERCEDES	758
1663501006	0385787	MERCEDES	810	1693300903	0992112	MERCEDES	757
16750635 *	0903144	IVECO	590	1693300907	0794449	MERCEDES	758
1679382	0403821	FORD	440	1693301007	0784449	MERCEDES	758
1679382	0403821	MAZDA	710	1693330127	0404449	MERCEDES	758
1679388	0403135	FORD	447	1694600196	0994451	MERCEDES	757
1679388	0403135	VOLVO	1717, 1722	1694600396	0984451	MERCEDES	757
1679398	0400854	FORD	435-439, 457- 458, 473, 482	1700810	0793252	FORD	441
1679398	0400854	MAZDA	709	1700810	0793252	MAZDA	711
1683200389	0500239	MERCEDES	755	1701466	0508069	FORD	450
1683200589	0500239	MERCEDES	755	1702970 *	0488069	FORD	449, 486
1683200789	0500239	MERCEDES	755	1702970	0788069	FORD	449
1683201089	0500239	MERCEDES	755	1702983 *	0498069	FORD	449, 486
				1702983	0798069	FORD	449
				1703145	0704498	FORD	445, 448, 450
				1703145	0704498	MAZDA	713

RIF. ORIG. O.E. NUMBER	RIF. OCAP OCAP REF.	MARCA MAKE	PAG.	RIF. ORIG. O.E. NUMBER	RIF. OCAP OCAP REF.	MARCA MAKE	PAG.
1703145	0704498	VOLVO	1717, 1723	1714891	0508069	FORD	450
1703300075	0901520	MERCEDES	765	1719027	0708661	FORD	450
1703300107	0792158	MERCEDES	765, 834	1719542	0508070	FORD	450
1703300207	0782158	MERCEDES	765, 834	1723323 *	0486494	FORD	460-461
1704630115	0505558	MERCEDES	834	1723323	0786494	FORD	460
1708226	0793252	FORD	441	1723324 *	0496494	FORD	460-461
1708226	0793252	MAZDA	711	1723324	0796494	FORD	460
1709423 *	0488069	FORD	449, 486	1734686	0504290	FORD	448
1709423	0788069	FORD	449	1734686	0504290	MAZDA	713
1709424 *	0488069	FORD	449, 486	1734686	0504290	VOLVO	1723
1709424	0788069	FORD	449	1736669	0283867	FORD	495, 498
1709457	0788069	FORD	449	1737305	0793252	FORD	441
1709466 *	0498069	FORD	449, 486	1737305	0793252	MAZDA	711
1709466	0798069	FORD	449	1737309	0783252	FORD	441
1709468 *	0498069	FORD	449, 486	1737309	0783252	MAZDA	711
1709468	0798069	FORD	449	1742265 *	0488069	FORD	449, 486
1712237	0704498	FORD	445, 448, 450	1742265	0788069	FORD	449
1712237	0704498	MAZDA	713	1742266 *	0498069	FORD	449, 486
1712237	0704498	VOLVO	1717, 1723	1742266	0798069	FORD	449
1712696	0783252	FORD	441	1743421	0708661	FORD	450
1712696	0783252	MAZDA	711	1743642	0283867	FORD	495, 498
1712697	0793252	FORD	441	1745924	0503253	FORD	424, 442-443, 487
1712697	0793252	MAZDA	711	1745924	0503253	MAZDA	711
1713230017	0505559	MERCEDES	836	1748237	0288069	FORD	449, 461, 486
1713380015	0605559	MERCEDES	836	1748239	0298069	FORD	449, 461, 486
171407153D	0708888	PORSCHE	1165, 1167	1749991	0788069	FORD	449
171407153D	0708888	VOLKSWAGEN	1592	1749992	0798069	FORD	449
171407181A	1215036	VOLKSWAGEN	1592	1751679	1216395	FORD	425
171407182D	1215037	VOLKSWAGEN	1592	1751952	0783251	FORD	442, 487
171407182E	1215037	VOLKSWAGEN	1592	1751955	0793251	FORD	442, 487
171407365C	0400003	PORSCHE	1165	1752565	0704285	FORD	445, 447, 462
171407365C	0400003	VOLKSWAGEN	1592	1754076	0608069	FORD	449
171407365D	0400003	PORSCHE	1165	175419804	0501200	VOLKSWAGEN	1591
171407365D	0400003	VOLKSWAGEN	1592	175422803	0501234	VOLKSWAGEN	1591
171407365F	0400004	PORSCHE	1165, 1167	175422803A	0501234	VOLKSWAGEN	1591
171407365F	0400004	VOLKSWAGEN	1592	175422831 *	0900419	VOLKSWAGEN	1578
171407365G	0400004	PORSCHE	1165, 1167	175422831	1211287	VOLKSWAGEN	1578, 1594, 1637, 1663
171407365G	0400004	VOLKSWAGEN	1592	1757-32-220	0303426	MAZDA	745
171411313	1215373	VOLKSWAGEN	1592, 1595	1762149	0504346	FORD	447, 449, 460-461, 486
171411314	1215038	VOLKSWAGEN	1592, 1595	1762149	0504346	MAZDA	713
171411314A	1215038	VOLKSWAGEN	1592, 1595	1762149	0504346	VOLVO	1717, 1722
171419804	0501200	VOLKSWAGEN	1591	1763701 *	1216245	FORD	498-499
171419804A	0501200	VOLKSWAGEN	1591	1763701	0783868	FORD	498
171419807A	0600869	VOLKSWAGEN	1591	1763702 *	1216245	FORD	498-499
171419811	0280056	PORSCHE	1165, 1167	1763702	0793868	FORD	498
171419811	0280056	VOLKSWAGEN	1591, 1700	1763713	0403869	FORD	495, 498
171419811A	0280056	PORSCHE	1165, 1167	1763714	0503254	FORD	496, 499
171419811A	0280056	VOLKSWAGEN	1591, 1700	1763989	0283867	FORD	495, 498
171419812	0280056	PORSCHE	1165, 1167	1763991	0603867	FORD	498
171419812	0280056	VOLKSWAGEN	1591, 1700	1764289	0783868	FORD	498
171419821A	0600869	VOLKSWAGEN	1591	1764290	0793868	FORD	498
171419831A	1211139	VOLKSWAGEN	1591, 1632	1765V005000000	0701842	SMART	1399
171419831B	1211139	VOLKSWAGEN	1591, 1632	1767896	0508069	FORD	450
171419831C *	0902074	VOLKSWAGEN	1591, 1632	1780102	0288069	FORD	449, 461, 486
171419831C	1211139	VOLKSWAGEN	1591, 1632	1780103	0298069	FORD	449, 461, 486
171419832A	1211138	VOLKSWAGEN	1591, 1632	1780104	0604345	FORD	446, 449, 460-461, 486
171419832C *	0902074	VOLKSWAGEN	1591, 1632	1780104	0604345	VOLVO	1716, 1721
171419832C	1211138	VOLKSWAGEN	1591, 1632	1781658 *	0486494	FORD	460-461
1714484	0604345	FORD	446, 449, 460-461, 486	1781658	0784345	FORD	461
1714484	0604345	VOLVO	1716, 1721	1781660 *	0496494	FORD	460-461
1714485	1211421	FORD	446, 449, 461, 486	1781660	0794345	FORD	461
1714576	0288069	FORD	449, 461, 486				
1714700	0298069	FORD	449, 461, 486				

RIF. ORIG. O.E. NUMBER	RIF. OCAP OCAP REF.	MARCA MAKE	PAG.	RIF. ORIG. O.E. NUMBER	RIF. OCAP OCAP REF.	MARCA MAKE	PAG.
1782112	0783868	FORD	498	1899978	0608069	FORD	449
1782485	0798887	FORD	424	1903526	0783870	FORD	499
1783551	0788887	FORD	424	1903527	0793870	FORD	499
1785002	0603250	FORD	424	1903652	0280515	ALFA ROMEO	22
1785675	0708661	FORD	450	1903652	0280515	FIAT	384
1790310	0503253	FORD	424, 442-443, 487	1903652	0280515	IVECO	587
1790310	0503253	MAZDA	711	1905043	0503253	FORD	424, 442-443, 487
1791958	0793868	FORD	498	1905043	0503253	MAZDA	711
1793236 *	0486494	FORD	460-461	1909108	0704290	FORD	448
1793236	0784345	FORD	461	1909996	0781773	FORD	468
1793237 *	0496494	FORD	460-461	1909996	0781773	JAGUAR	596
1793237	0794345	FORD	461	1909998	0791773	FORD	468
1793902 *	1216403	FORD	424	1909998	0791773	JAGUAR	596
1793902	0788887	FORD	424	191407151B *	0700747	VOLKSWAGEN	1594
1793903 *	1216404	FORD	424	191407151B *	0902415	SEAT	1328
1793903	0798887	FORD	424	191407151B	0700403	SEAT	1327, 1329
1796515	0180659	FORD	488	191407151B	0700403	VOLKSWAGEN	1578, 1594, 1663
1796516	0190659	FORD	488	191407153A *	0701237	SEAT	1328, 1330
1802974	0288882	FORD	455, 472	191407153A *	0701237	VOLKSWAGEN	1595, 1664
1802977	0298882	FORD	455, 472	191407175 *	0900040	VOLKSWAGEN	1598
1802V004000000	0501844	SMART	1399	191407175 *	0902415	SEAT	1328
1805815	1216427	FORD	442	191407175 *	0902419	VOLKSWAGEN	1598
1810330	0783870	FORD	499	191407175	1249079	SEAT	1328, 1330
1810331	0793870	FORD	499	191407175	1249079	VOLKSWAGEN	1579, 1595, 1598, 1637, 1640, 1663
1814315	0508069	FORD	450	191407181A	1214010	VOLKSWAGEN	1594
1817752	0403869	FORD	495, 498	191407181B	1214010	VOLKSWAGEN	1594
1817754	0403867	FORD	496, 499	191407181D *	0900040	VOLKSWAGEN	1598
1824228	0608882	FORD	455, 472	191407181D *	0902419	VOLKSWAGEN	1598
1826501	0288069	FORD	449, 461, 486	191407181D	1215060	SEAT	1327, 1329, 1356
1826505	0298069	FORD	449, 461, 486	191407181D	1215060	VOLKSWAGEN	1578, 1595, 1597, 1600, 1637, 1640, 1663
1828699	0783870	FORD	499	191407181E	1215060	SEAT	1327, 1329, 1356
1828700	0793870	FORD	499	191407181E	1215060	VOLKSWAGEN	1578, 1595, 1597, 1600, 1637, 1640, 1663
1831354	0783868	FORD	498	191407182	1214010	VOLKSWAGEN	1594
1831355	0793868	FORD	498	191407182	1215039	AUDI	31-32, 34-35, 40, 97
1834054	0783251	FORD	442, 487	191407182	1215039	SEAT	1311-1312, 1327, 1329, 1333, 1335- 1336, 1338- 1339, 1341, 1352, 1356
1834055	0793251	FORD	442, 487	191407182	1215039	SKODA	1358, 1362, 1364, 1366, 1374, 1383, 1386
183419812	0180282	BMW	129	191407182	1215039	VOLKSWAGEN	1575, 1578, 1594-1595, 1597, 1600, 1602, 1629, 1637, 1640, 1663, 1667, 1669, 1671- 1672, 1707
183419812	0180282	MERCEDES	748-750, 814, 816, 827	191407190A	1215413	SEAT	1328
183419812	0180282	PORSCHE	1158, 1164	191407190A	1215413	VOLKSWAGEN	1595, 1638
1836649	0608069	FORD	449	191407365	0400875	VOLKSWAGEN	1594
1841630	0788668	FORD	486				
1851900	0504346	FORD	447, 449, 460- 461, 486				
1851900	0504346	MAZDA	713				
1851900	0504346	VOLVO	1717, 1722				
1865033	1216424	FORD	456, 471				
1865033	1216424	VOLVO	1727				
1865034	1216425	FORD	456, 471				
1865034	1216425	VOLVO	1727				
1866687	0798668	FORD	486				
1877332 *	1216245	FORD	498-499				
1877332	0783868	FORD	498				
1877334 *	1216245	FORD	498-499				
1877334	0793868	FORD	498				
1877652	0388883	FORD	455				
1877652*	1216397	FORD	455				
1877652**	1216399	FORD	455				
1877653	0398883	FORD	455				
1877653*	1216398	FORD	455				
1877653**	1216399	FORD	455				
1882884	0708661	FORD	450				
1893094	0788668	FORD	486				
1893095	0798668	FORD	486				

RIF. ORIG. O.E. NUMBER	RIF. OCAP OCAP REF.	MARCA MAKE	PAG.	RIF. ORIG. O.E. NUMBER	RIF. OCAP OCAP REF.	MARCA MAKE	PAG.
191407365A	0400875	VOLKSWAGEN	1594				1637, 1663
191407365B *	0400875-K	VOLKSWAGEN	1594	191501541	1215505	VOLKSWAGEN	1595
191407365B	0400875	VOLKSWAGEN	1594	1931562	0708661	FORD	450
191411314	1215411	SEAT	1325	1933035	0798668	FORD	486
191411314	1215411	VOLKSWAGEN	1598	1933112	0788668	FORD	486
191411315 *	0181236-K	SEAT	1328	1933357	0603250	FORD	424
191411315 *	0181236-K	VOLKSWAGEN	1595	1935725000	0600526	ALFA ROMEO	20
191411315	0181236	SEAT	1328	1935725000/00	0600526	ALFA ROMEO	20
191411315	0181236	VOLKSWAGEN	1579, 1595	1B6363	0500116	ROVER GROUP	1275
191411315A *	0181897-K	SEAT	1330	1E00-32-240	0603964	FORD	436, 438, 473
191411315A *	0181897-K	VOLKSWAGEN	1664	1E00-32-240	0603964	MAZDA	709
191411315B *	0181099-K	SEAT	1328	1E00-32-280A	0283963	FORD	436, 438, 473
191411315B *	0181099-K	VOLKSWAGEN	1598	1E00-32-280A	0283963	MAZDA	709
191411315B *	0900040	VOLKSWAGEN	1598	1E00-34-170	0501329	FORD	431
191411315B *	0902415	SEAT	1328	1E00-34-170	0501329	MAZDA	709
191411315B *	0902419	VOLKSWAGEN	1598	1E00-34-300A	0781837	FORD	437-438
191411315B	0181099	SEAT	1328	1E00-34-300A	0781837	MAZDA	709
191411315B	0181099	VOLKSWAGEN	1598	1E00-34-300B	0781837	FORD	437-438
191411315B	0181236	SEAT	1328	1E00-34-300B	0781837	MAZDA	709
191411315B	0181236	VOLKSWAGEN	1579, 1595	1E00-34-300D	0781837	FORD	437-438
191411329 *	0181236-K	SEAT	1328	1E00-34-300D	0781837	MAZDA	709
191411331 *	0181011-K	SEAT	1314	1E00-34-300E	0781837	FORD	437-438
191411331 *	0181011-K	VOLKSWAGEN	1628, 1661	1E00-34-300E	0781837	MAZDA	709
191411331 *	0181012-K	VOLKSWAGEN	1638, 1640	1E00-34-300F	0781837	FORD	437-438
191411331 *	0181061-K	SEAT	1317	1E00-34-300F	0781837	MAZDA	709
191411331 *	0181061-K	VOLKSWAGEN	1628, 1661	1E00-34-350A	0791837	FORD	437-438
191411331 *	0902415	SEAT	1328	1E00-34-350A	0791837	MAZDA	709
191411331 *	0982423	SEAT	1314	1E00-34-350B	0791837	FORD	437-438
191411331 *	0982423	VOLKSWAGEN	1662	1E00-34-350B	0791837	MAZDA	709
191411331 *	0992423	SEAT	1314	1E00-34-350C	0791837	FORD	437-438
191411331 *	0992423	VOLKSWAGEN	1662	1E00-34-350C	0791837	MAZDA	709
191419803	0591201	SEAT	1326	1E00-34-350D	0791837	FORD	437-438
191419803	0591201	VOLKSWAGEN	1593	1E00-34-350D	0791837	MAZDA	709
191419803A	0591201	SEAT	1326	1E00-34-350E	0791837	FORD	437-438
191419803A	0591201	VOLKSWAGEN	1593	1E00-34-350E	0791837	MAZDA	709
191419804	0581201	SEAT	1326	1E01-32-280A	0293963	FORD	436, 438, 473
191419804	0581201	VOLKSWAGEN	1593	1E01-32-280A	0293963	MAZDA	709
191419804A	0581201	SEAT	1326	1E01-34-300E	0781839	FORD	439, 473
191419804A	0581201	VOLKSWAGEN	1593	1E01-34-300E	0781839	MAZDA	709
191419811	0290873	SEAT	1326, 1355	1E01-34-350E	0791839	FORD	439, 473
191419811	0290873	VOLKSWAGEN	1578, 1593, 1596, 1599, 1636, 1639	1E01-34-350E	0791839	MAZDA	709
				1H0407151 *	0900040	VOLKSWAGEN	1598
191419812	0280873	SEAT	1326, 1355	1H0407151 **	0700104	VOLKSWAGEN	1597
191419812	0280873	VOLKSWAGEN	1578, 1593, 1596, 1599, 1636, 1639	1H0407151	0700203	VOLKSWAGEN	1597
				1H0407151A *	0791006	SEAT	1356
				1H0407151A *	0791006	VOLKSWAGEN	1600
191419821	0600874	SEAT	1326	1H0407151A	0790204	SEAT	1356
191419821	0600874	VOLKSWAGEN	1593	1H0407151A	0790204	VOLKSWAGEN	1600
191419831 *	0901682	SEAT	1327	1H0407152 *	0781006	SEAT	1356
191419831 *	0901682	VOLKSWAGEN	1597, 1599	1H0407152 *	0781006	VOLKSWAGEN	1600
191419831	1211124	SEAT	1327	1H0407152	0780204	SEAT	1356
191419831	1211124	VOLKSWAGEN	1593, 1599	1H0407152	0780204	VOLKSWAGEN	1600
				1H0407175A	1249121	AUDI	40
191422803	0593200	SEAT	1326	1H0407175A	1249121	SEAT	1341, 1356
191422803	0593200	VOLKSWAGEN	1593	1H0407175A	1249121	SKODA	1374
191422803A	0593200	SEAT	1326	1H0407175A	1249121	VOLKSWAGEN	1575, 1600, 1602, 1629
191422803A	0593200	VOLKSWAGEN	1593	1H0407365	0400167	SEAT	1356
191422803C	0592912	VOLKSWAGEN	1593	1H0407365	0400167	VOLKSWAGEN	1600
191422804	0583200	SEAT	1326	1H0407365A	0400167	SEAT	1356
191422804	0583200	VOLKSWAGEN	1593	1H0407365A	0400167	VOLKSWAGEN	1600
191422804A	0583200	SEAT	1326	1H0411314	1214112	VOLKSWAGEN	1579, 1595, 1598, 1600, 1664
191422804A	0583200	VOLKSWAGEN	1593				
191422804C	0582912	VOLKSWAGEN	1593	1H0411314E	1214112	SEAT	1328, 1330
191422831 *	0900419	VOLKSWAGEN	1578				
191422831	1211287	VOLKSWAGEN	1578, 1594,				

RIF. ORIG. O.E. NUMBER	RIF. OCAP OCAP REF.	MARCA MAKE	PAG.	RIF. ORIG. O.E. NUMBER	RIF. OCAP OCAP REF.	MARCA MAKE	PAG.
1H0411317	0504337	VOLKSWAGEN	1706				1707
1H0419803	0590201	VOLKSWAGEN	1596	1J0407365A	0493037	AUDI	40
1H0419804	0580201	VOLKSWAGEN	1596	1J0407365A	0493037	VOLKSWAGEN	1575
1H0419821	0600201	VOLKSWAGEN	1596	1J0407365B	0493037	AUDI	40
1H0422803	0590202	SEAT	1355	1J0407365B	0493037	VOLKSWAGEN	1575
1H0422803	0590202	VOLKSWAGEN	1596, 1599	1J0407365C	0493037	AUDI	40
1H0422803A	0590202	SEAT	1355	1J0407365C	0493037	SEAT	1341
1H0422803A	0590202	VOLKSWAGEN	1596, 1599	1J0407365C	0493037	SKODA	1374
1H0422803B	0590213	VOLKSWAGEN	1596	1J0407365C	0493037	VOLKSWAGEN	1575, 1602, 1629
1H0422803B	0600213	VOLKSWAGEN	1596				
1H0422804	0580202	SEAT	1355	1J0407365D	0493037	AUDI	40
1H0422804	0580202	VOLKSWAGEN	1596, 1599	1J0407365D	0493037	VOLKSWAGEN	1575
1H0422804A	0580202	SEAT	1355	1J0407366A	0483037	AUDI	40
1H0422804A	0580202	VOLKSWAGEN	1596, 1599	1J0407366A	0483037	VOLKSWAGEN	1575
1H0422804B	0580213	VOLKSWAGEN	1596	1J0407366B	0483037	AUDI	40
1H0422804B	0600213	VOLKSWAGEN	1596	1J0407366B	0483037	VOLKSWAGEN	1575
1H0422821	0600213	VOLKSWAGEN	1596	1J0407366C	0483037	AUDI	40
1H0422831A	1211180	SEAT	1316	1J0407366C	0483037	SEAT	1341
1H0422831A	1211180	VOLKSWAGEN	1597, 1599, 1627, 1639, 1660	1J0407366C	0483037	SKODA	1374
				1J0407366C	0483037	VOLKSWAGEN	1575, 1602, 1629
1H0422831B *	0900419	SEAT	1327, 1329, 1355	1J0407366D	0483037	AUDI	40
1H0422831B *	0900419	VOLKSWAGEN	1578	1J0407366D	0483037	VOLKSWAGEN	1575
1H0422831B	1211287	SEAT	1327, 1329, 1355	1J0411314AC	1214142	AUDI	41, 98
1H0422831B	1211287	VOLKSWAGEN	1578, 1594, 1637, 1663	1J0411314AC	1214142	SEAT	1342
1H0501541	1215657	VOLKSWAGEN	1598, 1600	1J0411314AC	1214142	VOLKSWAGEN	1577, 1603
1H0501541A	1215657	VOLKSWAGEN	1598, 1600	1J0411314B *	0903041	VOLKSWAGEN	1630
1J0407151A *	0792883	SEAT	1341	1J0411314B	0903041	AUDI	40
1J0407151A	0702882	AUDI	39	1J0411314B	0903041	VOLKSWAGEN	1577
1J0407151A	0702882	SEAT	1341	1J0411314C *	0903085	SKODA	1375
1J0407151A	0702882	SKODA	1374	1J0411314C *	0903085	VOLKSWAGEN	1603
1J0407151A	0702882	VOLKSWAGEN	1575, 1629, 1602,	1J0411314C	1214052	VOLKSWAGEN	1630
				1J0411314G *	0902885	VOLKSWAGEN	1577
1J0407151B *	0782883	SEAT	1341	1J0411314G	1214089	AUDI	41, 98
1J0407151B	0702882	AUDI	39	1J0411314G	1214089	SEAT	1342
1J0407151B	0702882	SEAT	1341	1J0411314G	1214089	SKODA	1375
1J0407151B	0702882	SKODA	1374	1J0411314G	1214089	VOLKSWAGEN	1577, 1603, 1630
1J0407151B	0702882	VOLKSWAGEN	1575, 1629, 1602,	1J0411314M	1214051	AUDI	98
				1J0411314P	1214128	AUDI	41, 98
1J0407151C	0702882	AUDI	39	1J0411314P	1214128	SKODA	1375
1J0407151C	0702882	SEAT	1341	1J0411314P	1214128	VOLKSWAGEN	1577, 1603
1J0407151C	0702882	SKODA	1374	1J0411314R	1214051	AUDI	98
1J0407151C	0702882	VOLKSWAGEN	1575, 1629, 1602,	1J0411314S	1214133	AUDI	41, 98
				1J0411314S	1214133	SKODA	1375
1J0407175	1249121	AUDI	40	1J0411314S	1214133	VOLKSWAGEN	1577, 1603
1J0407175	1249121	SEAT	1341, 1356	1J0411314T	1214089	AUDI	41, 98
1J0407175	1249121	SKODA	1374	1J0411314T	1214089	SEAT	1342
1J0407175	1249121	VOLKSWAGEN	1575, 1600, 1602, 1629	1J0411314T	1214089	SKODA	1375
				1J0411314T	1214089	VOLKSWAGEN	1577, 1603, 1630
1J0407181	1215198	AUDI	32, 40, 97	1J0411315	0183040	AUDI	40
1J0407181	1215198	SEAT	1333, 1341, 1352	1J0411315	0183040	SKODA	1374
1J0407181	1215198	SKODA	1358, 1362, 1364, 1366, 1374, 1383, 1386	1J0411315	0183040	VOLKSWAGEN	1576, 1603, 1630
1J0407181	1215198	VOLKSWAGEN	1575, 1629, 1667, 1669, 1707	1J0411315C	0183040	AUDI	40
				1J0411315C	0183040	SKODA	1374
1J0407181A	1215198	AUDI	32, 40, 97	1J0411315C	0183040	VOLKSWAGEN	1576, 1603, 1630
1J0407181A	1215198	SEAT	1333, 1341, 1352	1J0411315D	0591386	AUDI	40, 97
1J0407181A	1215198	VOLKSWAGEN	1575, 1629, 1667,	1J0411315D	0591386	SEAT	1342
				1J0411315D	0591386	SKODA	1375
1J0407181A	1215198	AUDI	32, 40, 97	1J0411315D	0591386	VOLKSWAGEN	1576, 1603
1J0407181A	1215198	SEAT	1333, 1341, 1352	1J0411315E	0182884	SKODA	1374
1J0407181A	1215198	VOLKSWAGEN	1575, 1629, 1667,	1J0411315E	0182884	VOLKSWAGEN	1576, 1603, 1630

RIF. ORIG. O.E. NUMBER	RIF. OCAP OCAP REF.	MARCA MAKE	PAG.	RIF. ORIG. O.E. NUMBER	RIF. OCAP OCAP REF.	MARCA MAKE	PAG.
1J0411315G	0182884	SKODA	1374	1J0422804H	0583085	SEAT	1340
1J0411315G	0182884	VOLKSWAGEN	1576, 1603, 1630	1J0422804H	0583085	SKODA	1373
1J0411315H	0501453	SEAT	1342	1J0422804H	0583085	VOLKSWAGEN	1575, 1601, 1629
1J0411315H	0501453	VOLKSWAGEN	1576, 1603, 1630	1J0422807	0603035	AUDI	39
1J0411315K	0501453	SEAT	1342	1J0422807	0603035	SKODA	1373
1J0411315K	0501453	VOLKSWAGEN	1576, 1603, 1630	1J0422807B	0603085	AUDI	39
1J0411316D	0581386	AUDI	40, 97	1J0422807B	0603085	SEAT	1340
1J0411316D	0581386	SEAT	1342	1J0422807B	0603085	SKODA	1373
1J0411316D	0581386	SKODA	1375	1J0422807B	0603085	VOLKSWAGEN	1575, 1601, 1629
1J0411316D	0581386	VOLKSWAGEN	1576, 1603	1J0422807E	0603085	AUDI	39
1J0411323 *	0903040	VOLKSWAGEN	1630	1J0422807E	0603085	SEAT	1340
1J0411323	0903040	AUDI	40	1J0422807E	0603085	SKODA	1373
1J0411323	0903040	VOLKSWAGEN	1576	1J0422807E	0603085	VOLKSWAGEN	1575, 1601, 1629
1J0411325B *	0903040	VOLKSWAGEN	1630	1J0422811	0293036	AUDI	39
1J0411325B	0903040	AUDI	40	1J0422811	0293036	SKODA	1373
1J0411325B	0903040	VOLKSWAGEN	1576	1J0422811A	0293036	AUDI	39
1J0411327 *	0903040	VOLKSWAGEN	1630	1J0422811A	0293036	VOLKSWAGEN	1601
1J0411327	0903040	AUDI	40	1J0422811B	0293086	AUDI	39
1J0411327	0903040	VOLKSWAGEN	1576	1J0422811B	0293086	SEAT	1340
1J0411327	1215199	AUDI	40	1J0422811B	0293086	SKODA	1373
1J0411327	1215199	SKODA	1374	1J0422811B	0293086	VOLKSWAGEN	1575, 1601, 1629
1J0411327	1215199	VOLKSWAGEN	1576, 1603, 1630	1J0422812	0283036	AUDI	39
1J0411336B *	0902885	VOLKSWAGEN	1577	1J0422812	0283036	SKODA	1373
1J0411336B *	0903041	VOLKSWAGEN	1630	1J0422812	0283036	VOLKSWAGEN	1601
1J0411336B *	0903085	SKODA	1375	1J0422812A	0283036	AUDI	39
1J0411336B *	0903085	VOLKSWAGEN	1603	1J0422812A	0283036	SKODA	1373
1J0411336B	0903041	AUDI	40	1J0422812A	0283036	VOLKSWAGEN	1601
1J0411336B	0903041	VOLKSWAGEN	1577	1J0422812B	0283086	AUDI	39
1J0422803	0593035	AUDI	39	1J0422812B	0283086	SEAT	1340
1J0422803	0593035	SKODA	1373	1J0422812B	0283086	SKODA	1373
1J0422803A *	0603072	VOLKSWAGEN	1601	1J0422812B	0283086	VOLKSWAGEN	1575, 1601, 1629
1J0422803A	0593072	VOLKSWAGEN	1601	1J0422831	1211182	AUDI	39
1J0422803B	0593085	AUDI	39	1J0422831	1211182	SKODA	1373
1J0422803B	0593085	SEAT	1340	1J0422831	1211182	VOLKSWAGEN	1575, 1601
1J0422803B	0593085	SKODA	1373	1J0422831B	1211329	SEAT	1340
1J0422803B	0593085	VOLKSWAGEN	1575, 1601, 1629	1J0422831B	1211329	VOLKSWAGEN	1629
1J0422803E	0593085	AUDI	39	1J0501541B	1215200	AUDI	41, 98
1J0422803E	0593085	SEAT	1340	1J0501541B	1215200	SEAT	1334, 1337, 1342
1J0422803E	0593085	SKODA	1373	1J0501541B	1215200	SKODA	1363, 1365, 1375, 1384, 1387
1J0422803E	0593085	VOLKSWAGEN	1575, 1601, 1629	1J0501541B	1215200	VOLKSWAGEN	1577, 1589, 1604, 1631, 1668, 1670
1J0422803H	0593085	AUDI	39	1J0501541C	1215200	AUDI	41, 98
1J0422803H	0593085	SEAT	1340	1J0501541C	1215200	SEAT	1334, 1337, 1342
1J0422803H	0593085	SKODA	1373	1J0501541C	1215200	SKODA	1363, 1365, 1375, 1384, 1387
1J0422803H	0593085	VOLKSWAGEN	1575, 1601, 1629	1J0501541C	1215200	VOLKSWAGEN	1577, 1589, 1604, 1631, 1668, 1670
1J0422804	0583035	AUDI	39	1J0501541D *	0905577	AUDI	41, 98
1J0422804	0583035	SKODA	1373	1J0501541D *	0905577	SEAT	1334, 1342
1J0422804A *	0603072	VOLKSWAGEN	1601	1J0501541D *	0905577	SKODA	1363, 1375, 1379, 1387
1J0422804A	0583072	VOLKSWAGEN	1601	1J0501541D *	0905577	VOLKSWAGEN	1577, 1604, 1631, 1668, 1670
1J0422804B	0583085	AUDI	39	1J0501541D	1216151	AUDI	41, 98
1J0422804B	0583085	SEAT	1340	1J0501541D	1216151	SEAT	1334, 1342
1J0422804B	0583085	SKODA	1373				
1J0422804B	0583085	VOLKSWAGEN	1575, 1601, 1629				
1J0422804E	0583085	AUDI	39				
1J0422804E	0583085	SEAT	1340				
1J0422804E	0583085	SKODA	1373				
1J0422804E	0583085	VOLKSWAGEN	1575, 1601, 1629				
1J0422804H	0583085	AUDI	39				

RIF. ORIG. O.E. NUMBER	RIF. OCAP OCAP REF.	MARCA MAKE	PAG.	RIF. ORIG. O.E. NUMBER	RIF. OCAP OCAP REF.	MARCA MAKE	PAG.
1J0501541D	1216151	SKODA	1363, 1375, 1379, 1387				1694
1J0501541D	1216151	VOLKSWAGEN	1577, 1604, 1631, 1668	1K0199232J	1215717	AUDI	42-43
1J0505466B	0502118	AUDI	41, 98	1K0199232J	1215717	SEAT	1343-1344
1J0505466B	0502118	SKODA	1375	1K0199232J	1215717	SKODA	1376-1377, 1391
1J0505466B	0502118	VOLKSWAGEN	1577, 1604	1K0199232J	1215717	VOLKSWAGEN	1605-1606, 1610-1611, 1616-1617, 1673-1674, 1690-1691, 1694
1J0505466C	0502119	AUDI	41, 98	1K0199232K	1215717	AUDI	42-43
1J0505466C	0502119	SKODA	1375	1K0199232K	1215717	SEAT	1343-1344
1J0505466C	0502119	VOLKSWAGEN	1577, 1604	1K0199232K	1215717	SKODA	1376-1377, 1391
1K0199231G	1215718	AUDI	42-43	1K0199232K	1215717	VOLKSWAGEN	1605-1606, 1610-1611, 1616-1617, 1673-1674, 1690-1691, 1694
1K0199231G	1215718	SEAT	1343-1344	1K0407151AA	0793240	SKODA	1391
1K0199231G	1215718	SKODA	1376-1377, 1391	1K0407151AA	0793240	VOLKSWAGEN	1610, 1673, 1694
1K0199231G	1215718	VOLKSWAGEN	1605-1606, 1610-1611, 1616-1617, 1673-1674, 1690-1691, 1694	1K0407151AA	0794282	AUDI	42
1K0199231H	1215718	AUDI	42-43	1K0407151AA	0794282	SEAT	1343
1K0199231H	1215718	SEAT	1343-1344	1K0407151AA	0794282	SKODA	1376
1K0199231H	1215718	SKODA	1376-1377, 1391	1K0407151AA	0794282	VOLKSWAGEN	1605, 1616, 1690
1K0199231H	1215718	VOLKSWAGEN	1605-1606, 1610-1611, 1616-1617, 1673-1674, 1690-1691, 1694	1K0407151AB *	0794281	AUDI	42
1K0199231J	1215718	AUDI	42-43	1K0407151AB *	0794281	SEAT	1343
1K0199231J	1215718	SEAT	1343-1344	1K0407151AB *	0794281	SKODA	1376
1K0199231J	1215718	SKODA	1376-1377, 1391	1K0407151AB *	0794281	VOLKSWAGEN	1606, 1616, 1690
1K0199231J	1215718	VOLKSWAGEN	1605-1606, 1610-1611, 1616-1617, 1673-1674, 1690-1691, 1694	1K0407151AB	0793240	SKODA	1391
1K0199231K	1215718	AUDI	42-43	1K0407151AB	0793240	VOLKSWAGEN	1610, 1673, 1694
1K0199231K	1215718	SEAT	1343-1344	1K0407151AB	0794282	AUDI	42
1K0199231K	1215718	SKODA	1376-1377, 1391	1K0407151AB	0794282	SEAT	1343
1K0199231K	1215718	VOLKSWAGEN	1605-1606, 1610-1611, 1616-1617, 1673-1674, 1690-1691, 1694	1K0407151AB	0794282	SKODA	1376
1K0199232G	1215717	AUDI	42-43	1K0407151AB	0794282	VOLKSWAGEN	1605, 1616, 1690
1K0199232G	1215717	SEAT	1343-1344	1K0407151AC *	0394377	AUDI	43
1K0199232G	1215717	SKODA	1376-1377, 1391	1K0407151AC *	0394377	SEAT	1344
1K0199232G	1215717	VOLKSWAGEN	1605-1606, 1610-1611, 1616-1617, 1673-1674, 1690-1691, 1694	1K0407151AC *	0394377	SKODA	1377
1K0199232H	1215717	AUDI	42-43	1K0407151AC *	0394377	VOLKSWAGEN	1606, 1611, 1617, 1674, 1691
1K0199232H	1215717	SEAT	1343-1344	1K0407151AC	0394376	AUDI	43
1K0199232H	1215717	SKODA	1376-1377, 1391	1K0407151AC	0394376	SEAT	1344
1K0199232H	1215717	VOLKSWAGEN	1605-1606, 1610-1611, 1616-1617, 1673-1674, 1690-1691, 1694	1K0407151AC	0394376	SKODA	1377
				1K0407151AC	0394376	VOLKSWAGEN	1606, 1611, 1617, 1674, 1691
				1K0407151AH *	0793241	SKODA	1391
				1K0407151AH *	0793241	VOLKSWAGEN	1610, 1673, 1694
				1K0407151AH	0793240	SKODA	1391
				1K0407151AH	0793240	VOLKSWAGEN	1610, 1673, 1694
				1K0407151BB *	0795793	SKODA	1392
				1K0407151BB *	0795793	VOLKSWAGEN	1607
				1K0407151BB	0794283	SKODA	1392
				1K0407151BB	0794283	VOLKSWAGEN	1607
				1K0407151BC *	0793241	SKODA	1391
				1K0407151BC *	0793241	VOLKSWAGEN	1610, 1673, 1694

RIF. ORIG. O.E. NUMBER	RIF. OCAP OCAP REF.	MARCA MAKE	PAG.	RIF. ORIG. O.E. NUMBER	RIF. OCAP OCAP REF.	MARCA MAKE	PAG.
1K0407151BC	0793240	SKODA	1391				1691
1K0407151BC	0793240	VOLKSWAGEN	1610, 1673, 1694	1K0407152AH *	0783241	SKODA	1391
1K0407151BE *	0795793	SKODA	1392	1K0407152AH *	0783241	VOLKSWAGEN	1610, 1673, 1694
1K0407151BE *	0795793	VOLKSWAGEN	1607	1K0407152AH	0783240	SKODA	1391
1K0407151BE	0794283	SKODA	1392	1K0407152AH	0783240	VOLKSWAGEN	1610, 1673, 1694
1K0407151BE	0794283	VOLKSWAGEN	1607	1K0407152BB *	0785793	SKODA	1392
1K0407151BG *	0795793	SKODA	1392	1K0407152BB *	0785793	VOLKSWAGEN	1607
1K0407151BG *	0795793	VOLKSWAGEN	1607	1K0407152BB	0784283	SKODA	1392
1K0407151BG	0794283	SKODA	1392	1K0407152BB	0784283	VOLKSWAGEN	1607
1K0407151BG	0794283	VOLKSWAGEN	1607	1K0407152BC *	0783241	SKODA	1391
1K0407151BL	0794283	SKODA	1392	1K0407152BC *	0783241	VOLKSWAGEN	1610, 1673, 1694
1K0407151BL	0794283	VOLKSWAGEN	1607	1K0407152BC	0783240	SKODA	1391
1K0407151M *	0394377	AUDI	43	1K0407152BC	0783240	VOLKSWAGEN	1610, 1673, 1694
1K0407151M *	0394377	SEAT	1344	1K0407152BE *	0785793	SKODA	1392
1K0407151M *	0394377	SKODA	1377	1K0407152BE *	0785793	VOLKSWAGEN	1607
1K0407151M *	0394377	VOLKSWAGEN	1606, 1611, 1617, 1674, 1691	1K0407152BE	0784283	SKODA	1392
1K0407151M	0394376	AUDI	43	1K0407152BE	0784283	VOLKSWAGEN	1607
1K0407151M	0394376	SEAT	1344	1K0407152BG *	0785793	SKODA	1392
1K0407151M	0394376	SKODA	1377	1K0407152BG *	0785793	VOLKSWAGEN	1607
1K0407151M	0394376	VOLKSWAGEN	1606, 1611, 1617, 1674, 1691	1K0407152BG	0784283	SKODA	1392
1K0407151P	0794282	AUDI	42	1K0407152BG	0784283	VOLKSWAGEN	1607
1K0407151P	0794282	SEAT	1343	1K0407152BL	0784283	SKODA	1392
1K0407151P	0794282	SKODA	1376	1K0407152BL	0784283	VOLKSWAGEN	1607
1K0407151P	0794282	VOLKSWAGEN	1605, 1616, 1690	1K0407152M *	0384377	AUDI	43
1K0407151Q	0794282	AUDI	42	1K0407152M *	0384377	SEAT	1344
1K0407151Q	0794282	SEAT	1343	1K0407152M *	0384377	SKODA	1377
1K0407151Q	0794282	SKODA	1376	1K0407152M *	0384377	VOLKSWAGEN	1606, 1611, 1617, 1674, 1691
1K0407151Q	0794282	VOLKSWAGEN	1605, 1616, 1690	1K0407152M	0384376	AUDI	43
1K0407152AA	0783240	SKODA	1391	1K0407152M	0384376	SEAT	1344
1K0407152AA	0783240	VOLKSWAGEN	1610, 1673, 1694	1K0407152M	0384376	SKODA	1377
1K0407152AA	0784282	AUDI	42	1K0407152M	0384376	VOLKSWAGEN	1606, 1611, 1617, 1674, 1691
1K0407152AA	0784282	SEAT	1343	1K0407152P	0784282	AUDI	42
1K0407152AA	0784282	SKODA	1376	1K0407152P	0784282	SEAT	1343
1K0407152AA	0784282	VOLKSWAGEN	1605, 1616, 1690	1K0407152P	0784282	SKODA	1376
1K0407152AB *	0784281	AUDI	42	1K0407152P	0784282	VOLKSWAGEN	1605, 1616, 1690
1K0407152AB *	0784281	SEAT	1343	1K0407152Q	0784282	AUDI	42
1K0407152AB *	0784281	SKODA	1376	1K0407152Q	0784282	SEAT	1343
1K0407152AB *	0784281	VOLKSWAGEN	1606, 1616, 1690	1K0407152Q	0784282	SKODA	1376
1K0407152AB	0783240	SKODA	1391	1K0407152Q	0784282	VOLKSWAGEN	1605, 1616, 1690
1K0407152AB	0783240	VOLKSWAGEN	1610, 1673, 1694	1K0407182	1215716	AUDI	42-43, 46-47, 89, 99
1K0407152AB	0784282	AUDI	42	1K0407182	1215716	SEAT	1309, 1318, 1343-1344, 1347-1348
1K0407152AB	0784282	SEAT	1343	1K0407182	1215716	SKODA	1369, 1371, 1376-1377, 1380-1381, 1391-1392, 1394
1K0407152AB	0784282	SKODA	1376	1K0407182	1215716	VOLKSWAGEN	1573, 1580-1581, 1605-1607, 1610-1611, 1613-1614, 1616-1617, 1619, 1648-1649, 1652, 1673-1674, 1678,
1K0407152AB	0784282	VOLKSWAGEN	1605, 1616, 1690				
1K0407152AC *	0384377	AUDI	43				
1K0407152AC *	0384377	SEAT	1344				
1K0407152AC *	0384377	SKODA	1377				
1K0407152AC *	0384377	VOLKSWAGEN	1606, 1611, 1617, 1674, 1691				
1K0407152AC	0384376	AUDI	43				
1K0407152AC	0384376	SEAT	1344				
1K0407152AC	0384376	SKODA	1377				
1K0407152AC	0384376	VOLKSWAGEN	1606, 1611, 1617, 1674,				

RIF. ORIG. O.E. NUMBER	RIF. OCAP OCAP REF.	MARCA MAKE	PAG.	RIF. ORIG. O.E. NUMBER	RIF. OCAP OCAP REF.	MARCA MAKE	PAG.
			1680-1681, 1683, 1690- 1691, 1694, 1696				1343-1344, 1347
1K0407182A	1215716	AUDI	42-43, 46-47, 89, 99	1K0407365C	0494281	SKODA	1376-1377, 1380, 1391- 1392
1K0407182A	1215716	SEAT	1309, 1318, 1343-1344, 1347-1348	1K0407365C	0494281	VOLKSWAGEN	1573, 1605- 1607, 1610- 1611, 1613, 1616-1617, 1619, 1671- 1674, 1680- 1681, 1690- 1691, 1694
1K0407182A	1215716	SKODA	1369, 1371, 1376-1377, 1380-1381, 1391-1392, 1394	1K0407365E	0494281	AUDI	34-35, 42-43, 46
1K0407182A	1215716	VOLKSWAGEN	1573, 1580- 1581, 1605- 1607, 1610- 1611, 1613- 1614, 1616- 1617, 1619, 1648-1649, 1652, 1673- 1674, 1678, 1680-1681, 1683, 1690- 1691, 1694, 1696	1K0407365E	0494281	SEAT	1311-1312, 1338-1339, 1343-1344, 1347
1K0407183E	1215567	AUDI	42-43, 89	1K0407365E	0494281	SKODA	1376-1377, 1380, 1391- 1392
1K0407183E	1215567	SEAT	1309, 1332, 1343-1344	1K0407365E	0494281	VOLKSWAGEN	1573, 1605- 1607, 1610- 1611, 1613, 1616-1617, 1619, 1671- 1674, 1680- 1681, 1690- 1691, 1694
1K0407183E	1215567	SKODA	1362, 1376- 1377, 1386, 1391	1K0407366B	0484281	AUDI	34-35, 42-43, 46
1K0407183E	1215567	VOLKSWAGEN	1580-1581, 1588, 1605- 1606, 1610- 1611, 1616- 1617, 1648- 1649, 1666, 1673-1674, 1678, 1680- 1681, 1690- 1691, 1694	1K0407366B	0484281	SEAT	1311-1312, 1338-1339, 1343-1344, 1347
1K0407183M	1216069	SKODA	1392	1K0407366B	0484281	SKODA	1376-1377, 1380, 1391- 1392
1K0407183M	1216069	VOLKSWAGEN	1573, 1607, 1619	1K0407366B	0484281	VOLKSWAGEN	1573, 1605- 1607, 1610- 1611, 1613, 1616-1617, 1619, 1671- 1674, 1680- 1681, 1690- 1691, 1694
1K0407183P	1216069	SKODA	1392	1K0407366C	0484281	AUDI	34-35, 42-43, 46
1K0407183P	1216069	VOLKSWAGEN	1573, 1607, 1619	1K0407366C	0484281	SEAT	1311-1312, 1338-1339, 1343-1344, 1347
1K0407365B	0494281	AUDI	34-35, 42-43, 46	1K0407366C	0484281	SKODA	1376-1377, 1380, 1391- 1392
1K0407365B	0494281	SEAT	1311-1312, 1338-1339, 1343-1344, 1347	1K0407366C	0484281	VOLKSWAGEN	1573, 1605- 1607, 1610- 1611, 1613, 1616-1617, 1619, 1671- 1674, 1680- 1681, 1690- 1691, 1694
1K0407365B	0494281	SKODA	1376-1377, 1380, 1391- 1392	1K0407366E	0484281	AUDI	34-35, 42-43, 46
1K0407365B	0494281	VOLKSWAGEN	1573, 1605- 1607, 1610- 1611, 1613, 1616-1617, 1619, 1671- 1674, 1680- 1681, 1690- 1691, 1694	1K0407366E	0484281	SEAT	1311-1312, 1338-1339, 1343-1344, 1347
1K0407365C	0494281	AUDI	34-35, 42-43, 46	1K0407366E	0484281	SKODA	1376-1377,
1K0407365C	0494281	SEAT	1311-1312, 1338-1339,				

RIF. ORIG. O.E. NUMBER	RIF. OCAP OCAP REF.	MARCA MAKE	PAG.	RIF. ORIG. O.E. NUMBER	RIF. OCAP OCAP REF.	MARCA MAKE	PAG.
			1380, 1391- 1392				1681, 1683, 1691, 1694, 1696
1K0407366E	0484281	VOLKSWAGEN	1573, 1605- 1607, 1610- 1611, 1613, 1616-1617, 1619, 1671- 1674, 1680- 1681, 1690- 1691, 1694	1K0411315K	0504283	AUDI	43, 47, 89, 99
				1K0411315K	0504283	SEAT	1310, 1318, 1344, 1348
				1K0411315K	0504283	SKODA	1369, 1371, 1377, 1381, 1392, 1394
1K0411303AL *	1214296	AUDI	43	1K0411315K	0504283	VOLKSWAGEN	1573, 1581, 1607, 1611, 1614, 1617, 1619, 1649, 1653, 1674, 1681, 1683, 1691, 1694, 1696
1K0411303AL *	1214296	SEAT	1344				
1K0411303AL *	1214296	SKODA	1378, 1392				
1K0411303AL *	1214296	VOLKSWAGEN	1607, 1617, 1649, 1674, 1681, 1691, 1694	1K0411315N	0504283	AUDI	43, 47, 89, 99
1K0411303AM *	1214296	AUDI	43	1K0411315N	0504283	SEAT	1310, 1318, 1344, 1348
1K0411303AM *	1214296	SEAT	1344	1K0411315N	0504283	SKODA	1369, 1371, 1377, 1381, 1392, 1394
1K0411303AM *	1214296	SKODA	1378, 1392	1K0411315N	0504283	VOLKSWAGEN	1573, 1581, 1607, 1611, 1614, 1617, 1619, 1649, 1653, 1674, 1681, 1683, 1691, 1694, 1696
1K0411303AM *	1214296	VOLKSWAGEN	1607, 1617, 1649, 1674, 1681, 1691, 1694	1K0411315P	0504283	AUDI	43, 47, 89, 99
1K0411303BK *	1214296	AUDI	43	1K0411315P	0504283	SEAT	1310, 1318, 1344, 1348
1K0411303BK *	1214296	SEAT	1344	1K0411315P	0504283	SKODA	1369, 1371, 1377, 1381, 1392, 1394
1K0411303BK *	1214296	SKODA	1378, 1392	1K0411315P	0504283	VOLKSWAGEN	1573, 1581, 1607, 1611, 1614, 1617, 1619, 1649, 1653, 1674, 1681, 1683, 1691, 1694, 1696
1K0411303BK *	1214296	VOLKSWAGEN	1607, 1617, 1649, 1674, 1681, 1691, 1694	1K0411315R	0504283	AUDI	43, 47, 89, 99
1K0411315B	0504283	AUDI	43, 47, 89, 99	1K0411315R	0504283	SEAT	1310, 1318, 1344, 1348
1K0411315B	0504283	SEAT	1310, 1318, 1344, 1348	1K0411315R	0504283	SKODA	1369, 1371, 1377, 1381, 1392, 1394
1K0411315B	0504283	SKODA	1369, 1371, 1377, 1381, 1392, 1394	1K0411315R	0504283	VOLKSWAGEN	1573, 1581, 1607, 1611, 1614, 1617, 1619, 1649, 1653, 1674, 1681, 1683, 1691, 1694, 1696
1K0411315B	0504283	VOLKSWAGEN	1573, 1581, 1607, 1611, 1614, 1617, 1619, 1649, 1653, 1674, 1681, 1683, 1691, 1694, 1696	1K0411315R	0504283	AUDI	43, 47, 89, 99
1K0411315D	0504283	AUDI	43, 47, 89, 99	1K0411315R	0504283	SEAT	1310, 1318, 1344, 1348
1K0411315D	0504283	SEAT	1310, 1318, 1344, 1348	1K0411315R	0504283	SKODA	1369, 1371, 1377, 1381, 1392, 1394
1K0411315D	0504283	SKODA	1369, 1371, 1377, 1381, 1392, 1394	1K0411315R	0504283	VOLKSWAGEN	1573, 1581, 1607, 1611, 1614, 1617, 1619, 1649, 1653, 1674, 1681, 1683, 1691, 1694, 1696
1K0411315D	0504283	VOLKSWAGEN	1573, 1581, 1607, 1611, 1614, 1617, 1619, 1649, 1653, 1674, 1681, 1683, 1691, 1694, 1696	1K0423810A	0604280	AUDI	42, 46, 89
1K0411315J	0504283	AUDI	43, 47, 89, 99	1K0423810A	0604280	SEAT	1309, 1343, 1347
1K0411315J	0504283	SEAT	1310, 1318, 1344, 1348	1K0423810A	0604280	SKODA	1376, 1380, 1391
1K0411315J	0504283	SKODA	1369, 1371, 1377, 1381, 1392, 1394	1K0423810A	0604280	VOLKSWAGEN	1580, 1605, 1610, 1613, 1616, 1619, 1647, 1652, 1673, 1678, 1680, 1690,
1K0411315J	0504283	VOLKSWAGEN	1573, 1581, 1607, 1611, 1614, 1617, 1619, 1649, 1653, 1674,				

RIF. ORIG. O.E. NUMBER	RIF. OCAP OCAP REF.	MARCA MAKE	PAG.	RIF. ORIG. O.E. NUMBER	RIF. OCAP OCAP REF.	MARCA MAKE	PAG.
			1694				1376, 1380, 1391, 1394
1K0423811A	0294279	AUDI	34, 42, 46, 89				
1K0423811A	0294279	SEAT	1309, 1311, 1318, 1338, 1343, 1347	1K0423811J	0294279	VOLKSWAGEN	1573, 1580, 1605, 1610, 1613, 1616, 1619, 1647, 1652, 1671, 1673, 1678, 1680, 1683, 1690, 1694, 1696
1K0423811A	0294279	SKODA	1369, 1371, 1376, 1380, 1391, 1394				
1K0423811A	0294279	VOLKSWAGEN	1573, 1580, 1605, 1610, 1613, 1616, 1619, 1647, 1652, 1671, 1673, 1678, 1680, 1683, 1690, 1694, 1696	1K0423811K	0294279	AUDI	34, 42, 46, 89
				1K0423811K	0294279	SEAT	1309, 1311, 1318, 1338, 1343, 1347
1K0423811C	0294279	AUDI	34, 42, 46, 89				
1K0423811C	0294279	SEAT	1309, 1311, 1318, 1338, 1343, 1347	1K0423811K	0294279	VOLKSWAGEN	1573, 1580, 1605, 1610, 1613, 1616, 1619, 1647, 1652, 1671, 1673, 1678, 1680, 1683, 1690, 1694, 1696
1K0423811C	0294279	SKODA	1369, 1371, 1376, 1380, 1391, 1394				
1K0423811C	0294279	VOLKSWAGEN	1573, 1580, 1605, 1610, 1613, 1616, 1619, 1647, 1652, 1671, 1673, 1678, 1680, 1683, 1690, 1694, 1696	1K0423812A	0284279	AUDI	34, 42, 46, 89
				1K0423812A	0284279	SEAT	1309, 1311, 1318, 1338, 1343, 1347
1K0423811E	0294279	AUDI	34, 42, 46, 89				
1K0423811E	0294279	SEAT	1309, 1311, 1318, 1338, 1343, 1347	1K0423812A	0284279	SKODA	1369, 1371, 1376, 1380, 1391, 1394
1K0423811E	0294279	SKODA	1369, 1371, 1376, 1380, 1391, 1394				
1K0423811E	0294279	VOLKSWAGEN	1573, 1580, 1605, 1610, 1613, 1616, 1619, 1647, 1652, 1671, 1673, 1678, 1680, 1683, 1690, 1694, 1696	1K0423812A	0284279	VOLKSWAGEN	1573, 1580, 1605, 1610, 1613, 1616, 1619, 1647, 1652, 1671, 1673, 1678, 1680, 1683, 1690, 1694, 1696
1K0423812C	0284279	AUDI	34, 42, 46, 89	1K0423812C	0284279	AUDI	34, 42, 46, 89
1K0423812C	0284279	SEAT	1309, 1311, 1318, 1338, 1343, 1347	1K0423812C	0284279	SEAT	1309, 1311, 1318, 1338, 1343, 1347
1K0423812C	0284279	SKODA	1369, 1371, 1376, 1380, 1391, 1394	1K0423812C	0284279	SKODA	1369, 1371, 1376, 1380, 1391, 1394
1K0423812C	0284279	VOLKSWAGEN	1573, 1580, 1605, 1610, 1613, 1616, 1619, 1647, 1652, 1671, 1673, 1678, 1680, 1683, 1690, 1694, 1696	1K0423812C	0284279	VOLKSWAGEN	1573, 1580, 1605, 1610, 1613, 1616, 1619, 1647, 1652, 1671, 1673, 1678, 1680, 1683, 1690, 1694, 1696
1K0423812E	0284279	AUDI	34, 42, 46, 89	1K0423812E	0284279	AUDI	34, 42, 46, 89
1K0423812E	0284279	SEAT	1309, 1311, 1318, 1338, 1343, 1347	1K0423812E	0284279	SEAT	1309, 1311, 1318, 1338, 1343, 1347
1K0423812E	0284279	SKODA	1369, 1371, 1376, 1380, 1391, 1394	1K0423812E	0284279	SKODA	1369, 1371, 1376, 1380, 1391, 1394
1K0423812E	0284279	VOLKSWAGEN	1573, 1580, 1605, 1610, 1613, 1616, 1619, 1647, 1652, 1671, 1673, 1678, 1680, 1683, 1690, 1694, 1696	1K0423812E	0284279	VOLKSWAGEN	1573, 1580, 1605, 1610, 1613, 1616, 1619, 1647, 1652, 1671, 1673, 1678, 1680, 1683, 1690, 1694, 1696
1K0423811J	0294279	AUDI	34, 42, 46, 89				
1K0423811J	0294279	SEAT	1309, 1311, 1318, 1338, 1343, 1347				
1K0423811J	0294279	SKODA	1369, 1371,				

RIF. ORIG. O.E. NUMBER	RIF. OCAP OCAP REF.	MARCA MAKE	PAG.	RIF. ORIG. O.E. NUMBER	RIF. OCAP OCAP REF.	MARCA MAKE	PAG.
			1673, 1678, 1680, 1683, 1690, 1694, 1696				1650, 1675, 1682, 1692, 1695
1K0423812G	0284279	AUDI	34, 42, 46, 89	1K0501529J	0703129	AUDI	33, 44, 90
1K0423812G	0284279	SEAT	1309, 1311, 1318, 1338, 1343, 1347	1K0501529J	0703129	SEAT	1345
1K0423812G	0284279	SKODA	1369, 1371, 1376, 1380, 1391, 1394	1K0501529J	0703129	SKODA	1378, 1392
1K0423812G	0284279	VOLKSWAGEN	1573, 1580, 1605, 1610, 1613, 1616, 1619, 1647, 1652, 1671, 1673, 1678, 1680, 1683, 1690, 1694, 1696	1K0501529J	0703129	VOLKSWAGEN	1574, 1582, 1607, 1612, 1618, 1620, 1650, 1675, 1682, 1692, 1695
1K0423812J	0284279	AUDI	34, 42, 46, 89	1K0501530C	0703129	AUDI	33, 44, 90
1K0423812J	0284279	SEAT	1309, 1311, 1318, 1338, 1343, 1347	1K0501530C	0703129	SEAT	1345
1K0423812J	0284279	SKODA	1369, 1371, 1376, 1380, 1391, 1394	1K0501530C	0703129	SKODA	1378, 1392
1K0423812J	0284279	VOLKSWAGEN	1573, 1580, 1605, 1610, 1613, 1616, 1619, 1647, 1652, 1671, 1673, 1678, 1680, 1683, 1690, 1694, 1696	1K0501530C	0703129	VOLKSWAGEN	1574, 1582, 1607, 1612, 1618, 1620, 1650, 1675, 1682, 1692, 1695
1K0423812K	0284279	AUDI	34, 42, 46, 89	1K0505203A	1215948	AUDI	33, 44, 48, 90, 100
1K0423812K	0284279	SEAT	1309, 1311, 1318, 1338, 1343, 1347	1K0505203A	1215948	SEAT	1310, 1319, 1345, 1349
1K0423812K	0284279	SKODA	1369, 1371, 1376, 1380, 1391, 1394	1K0505203A	1215948	SKODA	1370, 1378, 1382, 1393
1K0423812K	0284279	VOLKSWAGEN	1573, 1580, 1605, 1610, 1613, 1616, 1619, 1647, 1652, 1671, 1673, 1678, 1680, 1683, 1690, 1694, 1696	1K0505203A	1215948	VOLKSWAGEN	1574, 1582, 1608, 1612, 1615, 1618, 1620, 1650, 1653, 1675, 1679, 1682, 1684, 1692, 1695, 1697
1K0423812K	0284279	AUDI	34, 42, 46, 89	1K0505223K	0798076	AUDI	45, 100
1K0423812K	0284279	SEAT	1309, 1311, 1318, 1338, 1343, 1347	1K0505223K	0798076	SEAT	1346
1K0423812K	0284279	SKODA	1369, 1371, 1376, 1380, 1391, 1394	1K0505223K	0798076	SKODA	1378, 1393
1K0423812K	0284279	VOLKSWAGEN	1573, 1580, 1605, 1610, 1613, 1616, 1619, 1647, 1652, 1671, 1673, 1678, 1680, 1683, 1690, 1694, 1696	1K0505223K	0798076	VOLKSWAGEN	1574, 1608, 1612, 1618, 1620, 1675
1K0423831A	1211426	AUDI	42, 46, 89, 99	1K0505223L	0799289	VOLKSWAGEN	1651
1K0423831A	1211426	SEAT	1309, 1343, 1347	1K0505224K	0788076	AUDI	45, 100
1K0423831A	1211426	SKODA	1376, 1380, 1391	1K0505224K	0788076	SEAT	1346
1K0423831A	1211426	VOLKSWAGEN	1573, 1580, 1605, 1610, 1613, 1616, 1619, 1647, 1652, 1673, 1678, 1680, 1690, 1694	1K0505224K	0788076	SKODA	1378, 1393
1K0501529F	0703129	AUDI	33, 44, 90	1K0505224K	0788076	VOLKSWAGEN	1574, 1608, 1612, 1618, 1620, 1675
1K0501529F	0703129	SEAT	1345	1K0505224L	0789289	VOLKSWAGEN	1651
1K0501529F	0703129	SKODA	1378, 1392	1K0505279A	1215947	AUDI	33, 44, 48, 90, 100
1K0501529F	0703129	VOLKSWAGEN	1574, 1582, 1607, 1612, 1618, 1620,	1K0505279A	1215947	SEAT	1310, 1319, 1345, 1349
				1K0505279A	1215947	SKODA	1370, 1378, 1382, 1393
				1K0505279A	1215947	VOLKSWAGEN	1574, 1582, 1608, 1612, 1615, 1618, 1620, 1650, 1653, 1675, 1679, 1682, 1684, 1692, 1695, 1697
1K0505311AA *	1216012	AUDI	90, 100	1K0505311AA *	1216012	SEAT	1310, 1345
1K0505311AA *	1216012	SEAT	1310, 1345	1K0505311AA *	1216012	SKODA	1378, 1393
1K0505311AA *	1216012	SKODA	1378, 1393	1K0505311AA *	1216012	VOLKSWAGEN	1574, 1608, 1612, 1618, 1620, 1650,
1K0505311AA *	1216012	VOLKSWAGEN	1574, 1608, 1612, 1618, 1620, 1650,				

RIF. ORIG. O.E. NUMBER	RIF. OCAP OCAP REF.	MARCA MAKE	PAG.	RIF. ORIG. O.E. NUMBER	RIF. OCAP OCAP REF.	MARCA MAKE	PAG.
			1675, 1679, 1682				1682
1K0505311AA	0704280	AUDI	33, 44, 90, 100	1K0505311S	0704280	AUDI	33, 44, 90, 100
1K0505311AA	0704280	SEAT	1310, 1345	1K0505311S	0704280	SEAT	1310, 1345
1K0505311AA	0704280	SKODA	1378, 1393	1K0505311S	0704280	SKODA	1378, 1393
1K0505311AA	0704280	VOLKSWAGEN	1574, 1582, 1608, 1612, 1618, 1620, 1650, 1675, 1679, 1682, 1692, 1695	1K0505311S	0704280	VOLKSWAGEN	1574, 1582, 1608, 1612, 1618, 1620, 1650, 1675, 1679, 1682, 1692, 1695
1K0505311AB *	1216012	AUDI	90, 100	1K0505323D	0703133	AUDI	33, 44, 90, 100
1K0505311AB *	1216012	SEAT	1310, 1345	1K0505323D	0703133	SEAT	1310, 1345
1K0505311AB *	1216012	SKODA	1378, 1393	1K0505323D	0703133	SKODA	1370, 1378, 1393
1K0505311AB *	1216012	VOLKSWAGEN	1574, 1608, 1612, 1618, 1620, 1650, 1675, 1679, 1682	1K0505323D	0703133	VOLKSWAGEN	1574, 1582, 1608, 1612, 1618, 1620, 1650, 1653, 1675, 1679, 1682, 1684, 1692, 1695, 1697
1K0505311AB	0704280	AUDI	33, 44, 90, 100	1K0505323G	0703133	AUDI	33, 44, 90, 100
1K0505311AB	0704280	SEAT	1310, 1345	1K0505323G	0703133	SEAT	1310, 1345
1K0505311AB	0704280	SKODA	1378, 1393	1K0505323G	0703133	SKODA	1370, 1378, 1393
1K0505311AB	0704280	VOLKSWAGEN	1574, 1582, 1608, 1612, 1618, 1620, 1650, 1675, 1679, 1682, 1692, 1695	1K0505323G	0703133	VOLKSWAGEN	1574, 1582, 1608, 1612, 1618, 1620, 1650, 1653, 1675, 1679, 1682, 1684, 1692, 1695, 1697
1K0505311H *	1216012	AUDI	90, 100	1K0505323H	0703133	AUDI	33, 44, 90, 100
1K0505311H *	1216012	SEAT	1310, 1345	1K0505323H	0703133	SEAT	1310, 1345
1K0505311H *	1216012	SKODA	1378, 1393	1K0505323H	0703133	SKODA	1370, 1378, 1393
1K0505311H *	1216012	VOLKSWAGEN	1574, 1608, 1612, 1618, 1620, 1650, 1675, 1679, 1682	1K0505323H	0703133	VOLKSWAGEN	1574, 1582, 1608, 1612, 1618, 1620, 1650, 1653, 1675, 1679, 1682, 1684, 1692, 1695, 1697
1K0505311H	0704280	AUDI	33, 44, 90, 100	1K0505323M	0703133	AUDI	33, 44, 90, 100
1K0505311H	0704280	SEAT	1310, 1345	1K0505323M	0703133	SEAT	1310, 1345
1K0505311H	0704280	SKODA	1378, 1393	1K0505323M	0703133	SKODA	1370, 1378, 1393
1K0505311H	0704280	VOLKSWAGEN	1574, 1582, 1608, 1612, 1618, 1620, 1650, 1675, 1679, 1682, 1692, 1695	1K0505323M	0703133	VOLKSWAGEN	1574, 1582, 1608, 1612, 1618, 1620, 1650, 1653, 1675, 1679, 1682, 1684, 1692, 1695, 1697
1K0505311J *	1216012	AUDI	90, 100	1K0505323N	0703133	AUDI	33, 44, 90, 100
1K0505311J *	1216012	SEAT	1310, 1345	1K0505323N	0703133	SEAT	1310, 1345
1K0505311J *	1216012	SKODA	1378, 1393	1K0505323N	0703133	SKODA	1370, 1378, 1393
1K0505311J *	1216012	VOLKSWAGEN	1574, 1608, 1612, 1618, 1620, 1650, 1675, 1679, 1682	1K0505323N	0703133	VOLKSWAGEN	1574, 1582, 1608, 1612, 1618, 1620, 1650, 1653, 1675, 1679, 1682, 1684, 1692, 1695, 1697
1K0505311J	0704280	AUDI	33, 44, 90, 100	1K0505323N	0703133	AUDI	33, 44, 90, 100
1K0505311J	0704280	SEAT	1310, 1345	1K0505323N	0703133	SEAT	1310, 1345
1K0505311J	0704280	SKODA	1378, 1393	1K0505323N	0703133	SKODA	1370, 1378, 1393
1K0505311J	0704280	VOLKSWAGEN	1574, 1582, 1608, 1612, 1618, 1620, 1650, 1675, 1679, 1682, 1692, 1695	1K0505323N	0703133	VOLKSWAGEN	1574, 1582, 1608, 1612, 1618, 1620, 1650, 1653, 1675, 1679, 1682, 1684, 1692, 1695, 1697
1K0505311S *	1216012	AUDI	90, 100				
1K0505311S *	1216012	SEAT	1310, 1345				
1K0505311S *	1216012	SKODA	1378, 1393				
1K0505311S *	1216012	VOLKSWAGEN	1574, 1608, 1612, 1618, 1620, 1650, 1675, 1679,				

RIF. ORIG. O.E. NUMBER	RIF. OCAP OCAP REF.	MARCA MAKE	PAG.	RIF. ORIG. O.E. NUMBER	RIF. OCAP OCAP REF.	MARCA MAKE	PAG.
1K0505323P	0703133	AUDI	33, 44, 90, 100	1K0505541C	1216070	SKODA	1370, 1378, 1382, 1393
1K0505323P	0703133	SEAT	1310, 1345	1K0505541C	1216070	VOLKSWAGEN	1574, 1608, 1612, 1615, 1618, 1620, 1653, 1675, 1697
1K0505323P	0703133	SKODA	1370, 1378, 1393	1K0505541D	1216070	AUDI	45, 48, 100
1K0505323P	0703133	VOLKSWAGEN	1574, 1582, 1608, 1612, 1618, 1620, 1650, 1653, 1675, 1679, 1682, 1684, 1692, 1695, 1697	1K0505541D	1216070	SEAT	1319, 1346, 1349
1K0505465D	0504378	AUDI	33, 45, 90, 100	1K0505541D	1216070	SKODA	1370, 1378, 1382, 1393
1K0505465D	0504378	SEAT	1310, 1346	1K0505541D	1216070	VOLKSWAGEN	1574, 1608, 1612, 1615, 1618, 1620, 1653, 1675, 1697
1K0505465D	0504378	SKODA	1379, 1393	1K0505553	1216232	AUDI	44, 48, 90, 100
1K0505465D	0504378	VOLKSWAGEN	1574, 1582, 1609, 1612, 1618, 1620, 1651, 1675, 1679, 1682, 1693, 1695	1K0505553	1216232	SEAT	1310, 1319, 1345, 1349
1K0505465H	0504378	AUDI	33, 45, 90, 100	1K0505553	1216232	SKODA	1378, 1382, 1393
1K0505465H	0504378	SEAT	1310, 1346	1K0505553	1216232	VOLKSWAGEN	1574, 1608, 1612, 1615, 1618, 1620, 1650, 1675, 1679, 1682
1K0505465H	0504378	SKODA	1379, 1393	1K0505553A	1216232	AUDI	44, 48, 90, 100
1K0505465H	0504378	VOLKSWAGEN	1574, 1582, 1609, 1612, 1618, 1620, 1651, 1675, 1679, 1682, 1693, 1695	1K0505553A	1216232	SEAT	1310, 1319, 1345, 1349
1K0505465J	0504378	AUDI	33, 45, 90, 100	1K0505553A	1216232	SKODA	1378, 1382, 1393
1K0505465J	0504378	SEAT	1310, 1346	1K0505553A	1216232	VOLKSWAGEN	1574, 1608, 1612, 1615, 1618, 1620, 1650, 1675, 1679, 1682
1K0505465J	0504378	SKODA	1379, 1393	1K0511327A	1214145	AUDI	85
1K0505465J	0504378	VOLKSWAGEN	1574, 1582, 1609, 1612, 1618, 1620, 1651, 1675, 1679, 1682, 1693, 1695	1K0511327AE	1214130	AUDI	45, 100
1K0505465K	0504378	AUDI	33, 45, 90, 100	1K0511327AE	1214130	SEAT	1346
1K0505465K	0504378	SEAT	1310, 1346	1K0511327AE	1214130	SKODA	1379, 1393
1K0505465K	0504378	SKODA	1379, 1393	1K0511327AE	1214130	VOLKSWAGEN	1609, 1618, 1675, 1682, 1693, 1695
1K0505465K	0504378	VOLKSWAGEN	1574, 1582, 1609, 1612, 1618, 1620, 1651, 1675, 1679, 1682, 1693, 1695	1K0511327AP	1214130	AUDI	45, 100
1K0505465L	0504378	AUDI	33, 45, 90, 100	1K0511327AP	1214130	SEAT	1346
1K0505465L	0504378	SEAT	1310, 1346	1K0511327AP	1214130	SKODA	1379, 1393
1K0505465L	0504378	SKODA	1379, 1393	1K0511327AP	1214130	VOLKSWAGEN	1609, 1618, 1675, 1682, 1693, 1695
1K0505465L	0504378	VOLKSWAGEN	1574, 1582, 1609, 1612, 1618, 1620, 1651, 1675, 1679, 1682, 1693, 1695	1K0511327AQ	1214144	AUDI	45
1K0505465R	0504378	AUDI	33, 45, 90, 100	1K0511327AQ	1214144	SEAT	1346
1K0505465R	0504378	SEAT	1310, 1346	1K0511327AQ	1214144	SKODA	1379, 1393
1K0505465R	0504378	SKODA	1379, 1393	1K0511327AQ	1214144	VOLKSWAGEN	1609, 1618, 1651, 1675, 1679, 1682, 1693
1K0505465R	0504378	VOLKSWAGEN	1574, 1582, 1609, 1612, 1618, 1620, 1651, 1675, 1679, 1682, 1693, 1695	1K0511327AR	1214131	AUDI	45
1K0505541C	1216070	AUDI	45, 48, 100	1K0511327AR	1214131	SEAT	1346
1K0505541C	1216070	SEAT	1319, 1346, 1349	1K0511327AR	1214131	SKODA	1379, 1393
				1K0511327AR	1214131	VOLKSWAGEN	1609, 1618, 1651, 1675, 1682, 1693, 1695
				1K0511327AS	1214145	AUDI	85
				1S0407151 *	0795575	SEAT	1352
				1S0407151 *	0795575	SKODA	1359
				1S0407151 *	0795575	VOLKSWAGEN	1707

RIF. ORIG. O.E. NUMBER	RIF. OCAP OCAP REF.	MARCA MAKE	PAG.	RIF. ORIG. O.E. NUMBER	RIF. OCAP OCAP REF.	MARCA MAKE	PAG.
1S0407151	0795574	SEAT	1352				829, 835
1S0407151	0795574	SKODA	1358	2013504706	0502153	MERCEDES	764, 767, 770, 780, 785, 788, 830, 835, 837
1S0407151	0795574	VOLKSWAGEN	1707				
1S0407152 *	0785575	SEAT	1352	2013505606	0502153	MERCEDES	764, 767, 770, 780, 785, 788, 830, 835, 837
1S0407152 *	0785575	SKODA	1359				
1S0407152 *	0785575	VOLKSWAGEN	1707				
1S0407152	0785574	SEAT	1352	2013512742	1215431	MERCEDES	764
1S0407152	0785574	SKODA	1358	2013512842	1215432	MERCEDES	764
1S0407152	0785574	VOLKSWAGEN	1707	2013520027	0404800	MERCEDES	764, 767, 770, 780, 785, 788, 830, 835
1S0423810A	0605574	SEAT	1352				
1S0423810A	0605574	SKODA	1358	2013528865	1215052	MERCEDES	764, 766, 769, 780, 784, 787, 790, 808, 810, 813, 829, 835, 837
1S0423810A	0605574	VOLKSWAGEN	1707				
1S0423811A	0295574	AUDI	31	2014600050	0901294	MERCEDES	761
1S0423811A	0295574	SEAT	1352	2014601405	0500719	MERCEDES	761
1S0423811A	0295574	SKODA	1358	2014601505	0500719	MERCEDES	761
1S0423811A	0295574	VOLKSWAGEN	1707	20200-AA200	0785177	SUBARU	1410, 1418
1S0423812A	0285574	AUDI	31	20200-AA210	0795177	SUBARU	1410, 1418
1S0423812A	0285574	SEAT	1352	20200FC120	0785177	SUBARU	1410, 1418
1S0423812A	0285574	SKODA	1358	20200FC130	0795177	SUBARU	1410, 1418
1S0423812A	0285574	VOLKSWAGEN	1707	20202-AG180	0783605	SUBARU	1419
1S0423831A	1211628	SEAT	1352	20202-AG181	0783605	SUBARU	1419
1S0423831A	1211628	SKODA	1358	20202-AG190	0793605	SUBARU	1419
1S0423831A	1211628	VOLKSWAGEN	1707	20202-AG191	0793605	SUBARU	1419
1S0501541B	1216150	SEAT	1353	2023230285	1214216	MERCEDES	766, 779
1S0501541B	1216150	SKODA	1359	2023300018	0902103	MERCEDES	765, 779, 834
1S0501541B	1216150	VOLKSWAGEN	1708	2023300075	0902158	MERCEDES	765
1S715K743AB	0702272	JAGUAR	597	2023300118	0902103	MERCEDES	765, 779, 834
1S715K743AC	0702272	JAGUAR	597	2023301907	0792172	MERCEDES	766, 779, 786, 834
1S715K743CA	0704176	FORD	469	2023302007	0782172	MERCEDES	766, 779, 786, 834
1S715K817AC	1216107	FORD	471	2023302607	0792158	MERCEDES	765, 834
1S715K818AC	1216106	FORD	471	2023302707	0782158	MERCEDES	765, 834
1S715K898AF	0702285	JAGUAR	597	2023303007	0792172	MERCEDES	766, 779, 786, 834
1S715K898AG	0702285	JAGUAR	597	2023303107	0782172	MERCEDES	766, 779, 786, 834
1S7C3290AB	0281771	JAGUAR	596	2023303607	0792172	MERCEDES	766, 779, 786, 834
1T0505223F	0799290	VOLKSWAGEN	1692, 1695	2023303707	0782172	MERCEDES	766, 779, 786, 834
1T0505224F	0789290	VOLKSWAGEN	1692, 1695	2023304107	0792158	MERCEDES	765, 834
1X433289AB	0281771	JAGUAR	596	2023304207	0782158	MERCEDES	765, 834
200200AC200F	0785177	SUBARU	1410, 1418	2023304807 *	1215221	MERCEDES	766, 779, 786, 789, 834
200200AC210F	0795177	SUBARU	1410, 1418	2023304807	0792172	MERCEDES	766, 779, 786, 834
2013051503	0501115	MERCEDES	761	2023304907	0782172	MERCEDES	766, 779, 786, 834
2013234885	1215412	MERCEDES	763, 784	2023330027	0402157	MERCEDES	765, 779, 786, 789, 834
2013234985	1214209	MERCEDES	763, 784	2023330214	1215552	MERCEDES	768, 836
2013261081	1215371	MERCEDES	763, 785	2023336414	1215550	MERCEDES	765, 834
2013261481	1214194	MERCEDES	764	2023338714	1215549	MERCEDES	765, 834
2013300075	0901710	MERCEDES	761	2023510842	1215434	MERCEDES	767, 780, 835
2013300175	0901828	MERCEDES	763	2024600219	0502156	MERCEDES	765, 779
2013300275	0901833	MERCEDES	761	2024600319 *	1215237	MERCEDES	765, 779
2013300703	0501115	MERCEDES	761	2024600319	0902156	MERCEDES	765, 779
2013301203	0501116	MERCEDES	761	2024600405	0502026	MERCEDES	765, 779
2013301503	0501115	MERCEDES	761	20262500	0190857	TALBOT	1442
2013301603	0501116	MERCEDES	761	2033200489	0501792	MERCEDES	769
2013303807	0790661	MERCEDES	761	2033200789	0591793	MERCEDES	770
2013303907	0780661	MERCEDES	761				
2013304007	0790228	MERCEDES	763				
2013304107	0780228	MERCEDES	763				
2013334514	1215220	MERCEDES	761				
2013335214	1215546	MERCEDES	763				
2013501070	0900721	MERCEDES	764, 766, 769, 780, 784, 787, 790, 820, 829, 835				
2013501953	0500721	MERCEDES	764, 766, 780, 784, 787, 790, 829, 835				
2013503253	0500721	MERCEDES	764, 766, 780, 784, 787, 790,				

RIF. ORIG. O.E. NUMBER	RIF. OCAP OCAP REF.	MARCA MAKE	PAG.	RIF. ORIG. O.E. NUMBER	RIF. OCAP OCAP REF.	MARCA MAKE	PAG.
2033200889	0581793	MERCEDES	770	2043201889	0583221	MERCEDES	771
2033201889	0504155	MERCEDES	769	2043202289	0583227	MERCEDES	771, 802
2033202189	0504154	MERCEDES	769	2043203789	0593221	MERCEDES	771
2033202589	0501792	MERCEDES	769	2043203889	0583221	MERCEDES	771
2033202689	0504154	MERCEDES	769	2043260317	0595772	MERCEDES	776, 801
2033202889	0501792	MERCEDES	769	2043300903	0293219	MERCEDES	771, 838
2033202989	0504154	MERCEDES	769	2043301003	0283219	MERCEDES	771, 838
2033230585	1214224	MERCEDES	769	2043301903	0296499	MERCEDES	794, 802
2033230685	1214221	MERCEDES	769	2043301911	0391825	MERCEDES	768, 836
2033232085	1214221	MERCEDES	769	2043302003	0286499	MERCEDES	794, 802
2033232185	1214224	MERCEDES	769	2043302011	0381825	MERCEDES	768, 836
2033260081	1214229	MERCEDES	770	2043303111	0393221	MERCEDES	771, 838
2033260181	1214230	MERCEDES	770	2043303211	0383221	MERCEDES	771, 838
2033260281	1214231	MERCEDES	770	2043303303	0293221	MERCEDES	771
2033260381	1214232	MERCEDES	770	2043303403	0283221	MERCEDES	771
2033260881	1214233	MERCEDES	770	2043304311	0393219	MERCEDES	771, 838
2033261281	1214202	MERCEDES	770	2043304411	0383219	MERCEDES	771, 838
2033300111	0391794	MERCEDES	768, 836	2043306711	0393221	MERCEDES	771, 838
2033300211	0381794	MERCEDES	768, 836	2043306811	0383221	MERCEDES	771, 838
2033301611	0391794	MERCEDES	768, 836	2043308111	0399296	MERCEDES	802
2033301711	0381794	MERCEDES	768, 836	2043308211	0389296	MERCEDES	802
2033301903	0291790	MERCEDES	768, 836	2043308711	0393219	MERCEDES	771, 838
2033301911	0391825	MERCEDES	768, 836	2043308811	0383219	MERCEDES	771, 838
2033302003	0281790	MERCEDES	768, 836	2043330414	1215958	MERCEDES	771, 838
2033302011	0381825	MERCEDES	768, 836	2043331014	1215552	MERCEDES	768, 836
2033302303	0291790	MERCEDES	768, 836	2043331114	1216190	MERCEDES	771, 838
2033302403	0281790	MERCEDES	768, 836	2043380015	0603220	MERCEDES	771
2033303303	0291792	MERCEDES	768	2043380315	0606499	MERCEDES	771, 794, 802
2033303311	0391825	MERCEDES	768, 836	2043380415	0603220	MERCEDES	771
2033303403	0281792	MERCEDES	768	2043380515	0606499	MERCEDES	771, 794, 802
2033303411	0381825	MERCEDES	768, 836	2043380615	0603219	MERCEDES	838
2033303511	0391794	MERCEDES	768, 836	2043500029	0703228	MERCEDES	772, 776, 796, 801
2033303611	0381794	MERCEDES	768, 836	2043500553 *	1216053	MERCEDES	772, 776, 796, 801, 803
2033303903	0291790	MERCEDES	768, 836	2043500553	0393227	MERCEDES	772, 776, 796, 801, 803
2033303911	0391794	MERCEDES	768, 836	2043500653 *	1216052	MERCEDES	772, 776, 796, 801, 803
2033304011	0381794	MERCEDES	768, 836	2043500653	0383227	MERCEDES	772, 776, 796, 801, 803
2033330214	1215552	MERCEDES	768, 836	2043501506 *	1216049	MERCEDES	772, 776, 796, 801
2033330314	1215553	MERCEDES	768, 836	2043501506	0393225	MERCEDES	772, 776, 796, 801
2033330914	1215553	MERCEDES	768, 836	2043501606 *	1215840	MERCEDES	772, 776, 796, 801, 808, 810, 813
2033331014	1215552	MERCEDES	768, 836	2043501606	0383225	MERCEDES	772, 776, 796, 801
2033331114	1215552	MERCEDES	768, 836	2043502106 *	1216051	MERCEDES	772, 776, 796, 801, 803
2033380215	0601792	MERCEDES	768	2043502106	0393226	MERCEDES	772, 776, 796, 801, 803
2033500353	0502113	MERCEDES	769, 837	2043502206 *	1216050	MERCEDES	772, 776, 796, 801, 803
2033500753	0502113-K	MERCEDES	769, 837	2043502206	0383226	MERCEDES	772, 776, 796, 801, 803
2033504003	0281790	MERCEDES	768, 836	2043502706 *	1216054	MERCEDES	772, 776, 796, 801
2033504308	0902599	MERCEDES	770	2043502706	0703228	MERCEDES	772, 776, 796, 801
2033504508	0902611	MERCEDES	770, 837	2043503306	0393226	MERCEDES	772, 776, 796, 801, 803
2033504608	0902611	MERCEDES	770, 837	2043503406	0383226	MERCEDES	772, 776, 796, 801, 803
2034602300 *	1211369	MERCEDES	768, 791, 836	2043510842	1216426	MERCEDES	773, 797, 803
2034602300	0901791	MERCEDES	768, 836				
2034630396 *	1211369	MERCEDES	768, 791, 836				
2034630396	0901791	MERCEDES	768, 836				
2038338	0788887	FORD	424				
2040702	1216424	FORD	456, 471				
2040702	1216424	VOLVO	1727				
2040703	1216425	FORD	456, 471				
2040703	1216425	VOLVO	1727				
20420-AA002	0501931	SUBARU	1411, 1418				
20420-AA003	0501931	SUBARU	1411, 1418				
20420-AA004	0501931	SUBARU	1411, 1418				
20420-AJ000	0504494	SUBARU	1419				
2043200489	0583224	MERCEDES	773, 797, 803				
2043200589	0593224	MERCEDES	773, 797, 803				
2043200789	0593227	MERCEDES	771, 802				
2043201789	0593221	MERCEDES	771				

RIF. ORIG. O.E. NUMBER	RIF. OCAP OCAP REF.	MARCA MAKE	PAG.	RIF. ORIG. O.E. NUMBER	RIF. OCAP OCAP REF.	MARCA MAKE	PAG.
2044630296 *	0905345	MERCEDES	794	2069658	0503253	FORD	424, 442-443, 487
2044630296	1211633	MERCEDES	794	2069658	0503253	MAZDA	711
20470-AE000	0502836	SUBARU	1418, 1422	2080389 *	1215721	FORD	486
20470-AE001	0502836	SUBARU	1418, 1422	2080389	0788668	FORD	486
20470-AE010	0502836	SUBARU	1418, 1422	2080391 *	1215721	FORD	486
20470-AJ000	0503605	SUBARU	1419	2080391	0798668	FORD	486
20470-AJ010	0505578	SUBARU	1413	2083301307	0792172	MERCEDES	766, 779, 786, 834
20470-FE000	0502835	SUBARU	1412-1413, 1419, 1422	2083301407	0782172	MERCEDES	766, 779, 786, 834
20470-FG000	0503605	SUBARU	1419	2090579	0288837	FORD	424, 443
20470-SA000	0502835	SUBARU	1412-1413, 1419, 1422	2090582	0608837	FORD	443
20470-SA001	0502835	SUBARU	1412-1413, 1419, 1422	20946159	1216025	CHEVROLET - DAEWOO 220	
20470-SA010	0503119	SUBARU	1412	2095043	0298837	FORD	424, 443
20470-SA011	0503119	SUBARU	1412	2101-2904010	0790662	LADA	649
20470-SC000	0505578	SUBARU	1413	21012904010	0790662	LADA	649
20481AA000	0505178	SUBARU	1411	2101-2904011	0780662	LADA	649
20481AA001	0505178	SUBARU	1411	21012904011	0780662	LADA	649
2053230068 *	0405773	MERCEDES	775	2101-2904063	0400099	LADA	649
2053230717	0595771	MERCEDES	775	21012904063	0400099	LADA	649
2053230817	0585771	MERCEDES	775	2101-2904082	0400099	LADA	649
2053260417	0585772	MERCEDES	776, 801	21012904082	0400099	LADA	649
2053301305	0395772	MERCEDES	774	21012904192	0400100	LADA	646, 649
2053301405	0385772	MERCEDES	774	2101-3003011	0500710	LADA	649
2053301505 *	1216257	MERCEDES	774	21013003011	0500710	LADA	649
2053301505	0395772	MERCEDES	774	21013003050	0180052	LADA	649
2053301605 *	1216257	MERCEDES	774	2101-3003057	0180027	LADA	646, 649
2053301605	0385772	MERCEDES	774	21013003057	0180027	LADA	646, 649
2053301907	0395773	MERCEDES	775	2101-3003064	0190052	LADA	649
2053302007	0385773	MERCEDES	775	21013003064	0190052	LADA	649
2053304303	0395772	MERCEDES	774	21013414116	0192090	LADA	646
2053304403	0385772	MERCEDES	774	2103202189	0594164	MERCEDES	787
2053305501 *	1216256	MERCEDES	774, 800	2103202289	0584164	MERCEDES	787
2053305501	0395771	MERCEDES	774, 800	2103203689	0594164	MERCEDES	787
2053305601 *	1216256	MERCEDES	774, 800	2103203789	0584164	MERCEDES	787
2053305601	0385771	MERCEDES	774, 800	2103231485	1214212	MERCEDES	787
2053305901	0395773	MERCEDES	775	2103300035	0402157	MERCEDES	765, 779, 786, 789, 834
2053306001 *	0405773	MERCEDES	775	2103300175	0902089	MERCEDES	786
2053306001	0385773	MERCEDES	775	2103300475	0902089	MERCEDES	786
2053306101 *	0405773	MERCEDES	775	2103302207	0792172	MERCEDES	766, 779, 786, 834
2053306101 **	1216259	MERCEDES	775	2103302307	0782172	MERCEDES	766, 779, 786, 834
2053306101	0395773	MERCEDES	775	2103302507	0792172	MERCEDES	766, 779, 786, 834
2053306201 *	0405773	MERCEDES	775	2103302607	0782172	MERCEDES	766, 779, 786, 834
2053306201 **	1216258	MERCEDES	775	2103303407	0792089	MERCEDES	786
2053306201	0385773	MERCEDES	775	2103303507	0782089	MERCEDES	786
2053330214	1216259	MERCEDES	775	2103303707 *	1215775	MERCEDES	789
2053330314	1216256	MERCEDES	774, 800	2103303707	0392382	MERCEDES	789
2053506103	0393225	MERCEDES	772, 776, 796, 801	2103303807 *	1215773	MERCEDES	789
2053506203	0383225	MERCEDES	772, 776, 796, 801	2103303807 **	1215774	MERCEDES	789
2053506303	0703228	MERCEDES	772, 776, 796, 801	2103303807	0382382	MERCEDES	789
2053506503	0393227	MERCEDES	772, 776, 796, 801, 803	2103303907	0792383	MERCEDES	789
2053506603	0383227	MERCEDES	772, 776, 796, 801, 803	2103304107	0782383	MERCEDES	789
2054600005	0295801	MERCEDES	774, 800	2103304507	0782089	MERCEDES	786
2054600105	0285801	MERCEDES	774, 800	2103305007	0792172	MERCEDES	766, 779, 786, 834
2054600405	0605802	MERCEDES	774, 800	2103305107	0782172	MERCEDES	766, 779, 786, 834
2054600605	0295771	MERCEDES	774	2103306107	0792089	MERCEDES	786
2054600705	0285771	MERCEDES	774	2103306207	0782089	MERCEDES	786
2054600805	0605771	MERCEDES	774	2103307607	0792089	MERCEDES	786
2064235 *	0180043-K	OPEL	1016				
2068340	0798887	FORD	424				

RIF. ORIG. O.E. NUMBER	RIF. OCAP OCAP REF.	MARCA MAKE	PAG.	RIF. ORIG. O.E. NUMBER	RIF. OCAP OCAP REF.	MARCA MAKE	PAG.
2103307707	0782089	MERCEDES	786	2103503706	0302384	MERCEDES	790
2103308707	0792172	MERCEDES	766, 779, 786, 834	2103503806	0502152	MERCEDES	764, 767, 770, 780, 785, 788, 790, 830, 835, 837
2103308807 *	1215221	MERCEDES	766, 779, 786, 789, 834	2103520965	1215202	MERCEDES	764, 767, 770, 780, 785, 788, 790, 830, 835, 837
2103308807	0782172	MERCEDES	766, 779, 786, 834	2104602300	0902115	MERCEDES	786, 789
2103309007	0792089	MERCEDES	786	2106518	0788887	FORD	424
2103309107	0782089	MERCEDES	786	2106530	0798887	FORD	424
2103330427	0402157	MERCEDES	765, 779, 786, 789, 834	21067-GA050	0403605	SUBARU	1410, 1412- 1413, 1418- 1419, 1422
2103335514	1215551	MERCEDES	786	2108-2904185	0400738	LADA	645, 647-648
2103336014	1215206	MERCEDES	786	21082904185	0400738	LADA	645, 647-648
2103336814	1215206	MERCEDES	786	2108-3401224 *	0901471	LADA	645, 647-648, 650
2103380415	0602088	MERCEDES	786	21083401224 *	0901471	LADA	645, 647-648, 650
2103380515	0292087	MERCEDES	786	2108-3401224	1211247	LADA	645, 647-648, 650
2103380615	0282087	MERCEDES	786	21083401224	1211247	LADA	645, 647-648, 650
2103380915	0292380	MERCEDES	789	2108-3414054	0900737	LADA	648
2103381015	0282380	MERCEDES	789	2108-3414056	0180737	LADA	648
2103381115	0602381	MERCEDES	789	21083414056	0180737	LADA	648
2103500029	0502152	MERCEDES	764, 767, 770, 780, 785, 788, 790, 830, 835, 837	2108-3414057	0190737	LADA	648
2103500653	0500721	MERCEDES	764, 766, 780, 784, 787, 790, 829, 835	2108-3414060	0180196	LADA	648
2103500953	0500721	MERCEDES	764, 766, 780, 784, 787, 790, 829, 835	211003414052	0581473	LADA	647
2103501606	0502150	MERCEDES	764, 767, 769, 780, 785, 788, 790, 830, 835, 837	21100341405210	0581473	LADA	647
2103501706	0502150	MERCEDES	764, 767, 769, 780, 785, 788, 790, 830, 835, 837	21100341405210	0591473	LADA	647
2103501853 *	0500721-K	MERCEDES	763, 766, 780, 784, 829, 835	2110-2904192	0400738	LADA	645, 647-648
2103501853	0500721	MERCEDES	764, 766, 780, 784, 787, 790, 829, 835	21102904192	0400738	LADA	645, 647-648
2103502153 *	0500721-K	MERCEDES	787, 790	2110-3401224 *	0901471	LADA	645, 647-648, 650
2103502153	0500721	MERCEDES	764, 766, 780, 784, 787, 790, 829, 835	21103401224 *	0901471	LADA	645, 647-648, 650
2103502406	0502150	MERCEDES	764, 767, 769, 780, 785, 788, 790, 830, 835, 837	2110-3414052 *	0281473	LADA	647
2103502506	0502150	MERCEDES	764, 767, 769, 780, 785, 788, 790, 830, 835, 837	2110-3414052	0581470	LADA	650
2103502753	0500721	MERCEDES	764, 766, 780, 784, 787, 790, 829, 835	2110-3414052	0581473	LADA	647
2103503306 *	1215089	MERCEDES	764, 767, 770, 780, 785, 788, 830, 835, 837	2110-3414053 *	0291473	LADA	647
2103503306	0502153	MERCEDES	764, 767, 770, 780, 785, 788, 830, 835, 837	2110-3414053	0591470	LADA	650
2103503406	0502150	MERCEDES	764, 767, 769, 780, 785, 788, 790, 830, 835, 837	2110-3414053	0591473	LADA	647
2103503706 *	1215776	MERCEDES	790	21103414053	0591473	LADA	647
				2110-3414054	0901470	LADA	647, 650
				21103414054	0901470	LADA	647, 650
				2110-3414056	0281470	LADA	647, 650
				21103414056	0281470	LADA	647, 650
				2110-3414057	0291470	LADA	647, 650
				21103414057	0291470	LADA	647, 650
				2110-3414058	0281471	LADA	650
				2110-3414059	0291471	LADA	650
				2112614 *	0408838	FORD	443
				2112614 **	1216363	FORD	443
				2112614	0798838	FORD	443
				2112616 *	0408838	FORD	443
				2112616 **	1216362	FORD	443
				2112616	0788838	FORD	443
				2113200189	0184152	MERCEDES	792
				2113200889	0504153	MERCEDES	793, 833
				2113200989	0194152	MERCEDES	792
				2113203389	0504153	MERCEDES	793, 833

RIF. ORIG. O.E. NUMBER	RIF. OCAP OCAP REF.	MARCA MAKE	PAG.	RIF. ORIG. O.E. NUMBER	RIF. OCAP OCAP REF.	MARCA MAKE	PAG.
2113203889	0184152	MERCEDES	792	2123201289	0585345	MERCEDES	795
2113203989	0194152	MERCEDES	792	2123300135	0405345	MERCEDES	795
2113230068	0404274	MERCEDES	792, 821, 831	2123301303	0296499	MERCEDES	794, 802
2113300103	0294299	MERCEDES	791	2123301403	0286499	MERCEDES	794, 802
2113300138	0794273	MERCEDES	791	2123302103	0605345	MERCEDES	794
2113300203	0284299	MERCEDES	791	2123302203	0285345	MERCEDES	794
2113300235	0403858	MERCEDES	792, 821, 831	2123302303	0295345	MERCEDES	794
2113300335	0402157	MERCEDES	765, 779, 786, 789, 834	2123302711 *	0395346	MERCEDES	794
2113300435	0403858	MERCEDES	792, 821, 831	2123302711	0396492	MERCEDES	794
2113301111	0394276	MERCEDES	792, 832	2123302811 *	0385346	MERCEDES	794
2113301211	0384276	MERCEDES	792, 832	2123302811	0386492	MERCEDES	794
2113301511	0394276	MERCEDES	792, 832	2123302911	0395345	MERCEDES	795
2113301611	0384276	MERCEDES	792, 832	2123303011 *	1216043	MERCEDES	795
2113302303	0294299	MERCEDES	791	2123303011	0385345	MERCEDES	795
2113302403	0284299	MERCEDES	791	2123330014	1216044	MERCEDES	794
2113302503	0294299	MERCEDES	791	2153500008	0902612	MERCEDES	823
2113302603	0284299	MERCEDES	791	2153500108	0902613	MERCEDES	823
2113302703	0294299	MERCEDES	791	215407187B	0404001	VOLKSWAGEN	1700
2113302803	0284299	MERCEDES	791	2180767 *	1216400	FORD	472
2113302903	0604273	MERCEDES	791	2180767	0388885	FORD	472
2113302911	0394276	MERCEDES	792, 832	2180769 *	1216401	FORD	472
2113303011	0384276	MERCEDES	792, 832	2180769	0398885	FORD	472
2113304307	0794273	MERCEDES	791	2183301111	0399295	MERCEDES	781
2113304311	0394276	MERCEDES	792, 832	2183301211	0389295	MERCEDES	781
2113304407	0784273	MERCEDES	791	21A1163	0401218	ROVER GROUP	1280
2113304411	0384276	MERCEDES	792, 832	21H181	0402050	ROVER GROUP	1274
2113304911	0394276	MERCEDES	792, 832	2203201589	0194158	MERCEDES	822
2113305011	0384276	MERCEDES	792, 832	2203201689	0184158	MERCEDES	822
2113306707	0794273	MERCEDES	791	2203203689	0504159	MERCEDES	823
2113306807	0784273	MERCEDES	791	2203230368	0404274	MERCEDES	792, 821, 831
2113308107	0394274	MERCEDES	792	2203301407	0393861	MERCEDES	822
2113308207	0384274	MERCEDES	792	2203301507	0383861	MERCEDES	822
2113308907	0794273	MERCEDES	791	2203304311	0393859	MERCEDES	821
2113309007 *	1215708	MERCEDES	791	2203304411	0383859	MERCEDES	821
2113309007	0784273	MERCEDES	791	2203305111	0393860	MERCEDES	822
2113309107	0394274	MERCEDES	792	2203305211 *	1215668	MERCEDES	822
2113309207	0384274	MERCEDES	792	2203305211	0383860	MERCEDES	822
2113309907	0404273	MERCEDES	791, 831	2203305711	0393859	MERCEDES	821
2113331014	1215711	MERCEDES	792, 832	2203305811 *	1215667	MERCEDES	821
2113331114	1215710	MERCEDES	792	2203305811	0383859	MERCEDES	821
2113331914	1215709	MERCEDES	792	2203308307	0393861	MERCEDES	822
2113332514	1215711	MERCEDES	792, 832	2203308407	0383861	MERCEDES	822
2113332814	1215711	MERCEDES	792, 832	2203308607	1215771	MERCEDES	831
2113332914	1215711	MERCEDES	792, 832	2203308707	1215771	MERCEDES	831
2113380015	0604273	MERCEDES	791	2203308907	0393886	MERCEDES	821
2113-99-322A	0283378	MAZDA	714	2203309007	0383886	MERCEDES	821
211405371A	0400885	VOLKSWAGEN	1699	2203309307	0393861	MERCEDES	822
211405371B	0400885	VOLKSWAGEN	1699	2203309407 *	1215669	MERCEDES	822
211405371C	0400885	VOLKSWAGEN	1699	2203309407	0383861	MERCEDES	822
211405373	0400885	VOLKSWAGEN	1699	2203330074 *	0903860	MERCEDES	822
211415701G	0502407	VOLKSWAGEN	1699	2203330077 *	0903860	MERCEDES	822
211415712E	0180884	VOLKSWAGEN	1699	2203330327	0403858	MERCEDES	792, 821, 831
211415712F	0180884	VOLKSWAGEN	1699	2203330427	0403858	MERCEDES	792, 821, 831
211415801D	0502411	VOLKSWAGEN	1698	2203330727	0403858	MERCEDES	792, 821, 831
211415801F	0502408	VOLKSWAGEN	1699	2203333114	1215697	MERCEDES	821
211415802D	0502410	VOLKSWAGEN	1698	2203380115	0283856	MERCEDES	821, 831
211415802F	0500881	VOLKSWAGEN	1699	2203380515	0283856	MERCEDES	821, 831
2119900099	0902375	MERCEDES	793, 833	2203380715	0601791	MERCEDES	768, 791, 821, 831
2119900299	0902374	MERCEDES	793, 833	2203380915	0601791	MERCEDES	768, 791, 821, 831
2121-3414011	0502091	LADA	646	2203381015	0283856	MERCEDES	821, 831
21213414011	0502091	LADA	646	2203381315	0294273	MERCEDES	791
2121-3414116	0192090	LADA	646	2203381415	0284273	MERCEDES	791
21213414116	0192090	LADA	646	2203500170	0903862	MERCEDES	823
2123201189	0595345	MERCEDES	795				

RIF. ORIG. O.E. NUMBER	RIF. OCAP OCAP REF.	MARCA MAKE	PAG.	RIF. ORIG. O.E. NUMBER	RIF. OCAP OCAP REF.	MARCA MAKE	PAG.
2203500453 *	0503862	MERCEDES	823	2303301711	0394276	MERCEDES	792, 832
2203500453	0503862-K	MERCEDES	823	2303301811	0384276	MERCEDES	792, 832
2203502206	0503889	MERCEDES	823	2303302507 *	1215772	MERCEDES	831
2203502406	0503890	MERCEDES	823	2303302507	0792378	MERCEDES	831
2203502606	0503888	MERCEDES	823	2303302607	0782378	MERCEDES	831
2203502706	0503888	MERCEDES	823	2303330614	1215710	MERCEDES	792
2203503106	0903863	MERCEDES	823	2303380015	0601791	MERCEDES	768, 791, 821, 831
2203520065	1215670	MERCEDES	823	2303500329 *	1215769	MERCEDES	793, 833
2203520227	0404800	MERCEDES	764, 767, 770, 780, 785, 788, 830, 835	2303500329	0392371-K	MERCEDES	793, 833
2204601000	0903856	MERCEDES	821	2303500429 *	1215768	MERCEDES	793, 833
2204630296	1211410	MERCEDES	821	2303500429	0382371-K	MERCEDES	793, 833
2213200189	0592696	MERCEDES	825	2303502006 *	1215770	MERCEDES	793, 832-833
2213200289	0582696	MERCEDES	825	2303502006	0302373	MERCEDES	793, 833
2213201989	0592712	MERCEDES	826	2303502706 *	1215715	MERCEDES	793, 833
2213202289	0582712	MERCEDES	826	2303502706	0594278	MERCEDES	793, 833
2213300307	0392695	MERCEDES	825	2303502806 *	1215714	MERCEDES	793, 833
2213300407	0382695	MERCEDES	825	2303502806	0584278	MERCEDES	793, 833
2213301603	0602692	MERCEDES	824	2303503506 *	1215770	MERCEDES	793, 832-833
2213302311	0392693	MERCEDES	824	2303503506	0594277	MERCEDES	793, 832
2213302411	0382693	MERCEDES	824	2303503606 *	1215712	MERCEDES	793, 832
2213303903	0282691	MERCEDES	824	2303503606	0584277	MERCEDES	793, 832
2213306311	0392693	MERCEDES	824	2303520027	0404800	MERCEDES	764, 767, 770, 780, 785, 788, 830, 835
2213306411	0382693	MERCEDES	824	2313330314	1216258	MERCEDES	775
2213306511	0398517	MERCEDES	825	23643V	0190830	TALBOT	1447
2213306611	0388517	MERCEDES	825	2370-99-322	0283381	MAZDA	714, 723
2213307107	0395344	MERCEDES	824	2370-99-324	0293380	MAZDA	714, 723
2213307207	0385344	MERCEDES	824	2404600419	0902148	MERCEDES	818
2213307707	0398516	MERCEDES	825	24413015	0393804	FIAT	351
2213307807	0388516	MERCEDES	825	24413015	0393804	OPEL	1064
2213308107	0392694	MERCEDES	824	24413015	0393804	SAAB	1299
2213308207	0382694	MERCEDES	824	24413015	0393804	VAUXHALL	1568
2213308707	0395344	MERCEDES	824	24413016	0383804	FIAT	351
2213308807	0385344	MERCEDES	824	24413016	0383804	OPEL	1064
2213308907	0392695	MERCEDES	825	24413016	0383804	SAAB	1299
2213309007 *	1215850	MERCEDES	825	24413016	0383804	VAUXHALL	1568
2213309007	0382695	MERCEDES	825	24417251	0503805	OPEL	1064
2213330714	1215849	MERCEDES	824-825	24417251	0503805	SAAB	1300
2213330814	1215848	MERCEDES	824	24417251	0503805	VAUXHALL	1568
2213331914	1216348	MERCEDES	825	24428977	0791885	OPEL	1032
2213500206 *	1215855	MERCEDES	826	24428977	0791885	VAUXHALL	1557
2213500206	0392699	MERCEDES	826	24428978	0781885	OPEL	1032
2213500406	0392711	MERCEDES	826	24428978	0781885	VAUXHALL	1557
2213500606	0382711	MERCEDES	826	24439582	1215722	OPEL	1021, 1046, 1069
2213500706 *	1215851	MERCEDES	826	24439582	1215722	VAUXHALL	1545
2213500706	0392697	MERCEDES	826	24449453	0791885	OPEL	1032
2213500806 *	1215852	MERCEDES	826	24449453	0791885	VAUXHALL	1557
2213500806	0382697	MERCEDES	826	24449455	0781885	OPEL	1032
2213501006 *	1215856	MERCEDES	826	24449455	0781885	VAUXHALL	1557
2213501006	0382699	MERCEDES	826	24454477	0794359	OPEL	1021, 1046, 1069
2213501153 *	1215853	MERCEDES	826	24454477	0794359	VAUXHALL	1545
2213501153	0392698	MERCEDES	826	24454478	0784359	OPEL	1021, 1046, 1069
2213501253 *	1215854	MERCEDES	826	24454478	0784359	VAUXHALL	1545
2213501253	0382698	MERCEDES	826	24457385	1214100	SAAB	1300
2214630296	1211474	MERCEDES	824	24457386	1214247	SAAB	1300
2246227	1216419	FORD	486	24457843	1214248	SAAB	1300
2247271	1216418	FORD	486	24461353	0504360	OPEL	1021, 1069
2271V007000005	0401841	SMART	1399, 1402	24461353	0504360	VAUXHALL	1545
22792989	1216013	OPEL	1037	2463200089	0505742	MERCEDES	759, 778
2303200589	0592372	MERCEDES	832	2463200489	0505743	MERCEDES	760, 778
2303200689	0582372	MERCEDES	832	2463200689	0505742	MERCEDES	759, 778
2303300203	0283856	MERCEDES	821, 831				
2303301307	0392376	MERCEDES	831				
2303301407	0382376	MERCEDES	831				

RIF. ORIG. O.E. NUMBER	RIF. OCAP OCAP REF.	MARCA MAKE	PAG.	RIF. ORIG. O.E. NUMBER	RIF. OCAP OCAP REF.	MARCA MAKE	PAG.
2463200789	0505743	MERCEDES	760, 778	26065265	0281049	VAUXHALL	1555
2463301700	0295742	MERCEDES	759, 777	26087867	0601883-K	OPEL	1031
2463301707	0395742	MERCEDES	759, 777	26087867	0601883-K	VAUXHALL	1557
2463301800	0285742	MERCEDES	759, 777	26087868	0281884	OPEL	1031
2463301807	0385742	MERCEDES	759, 777	26087868	0281884	VAUXHALL	1557
2463304700	0395742	MERCEDES	759, 777	26087869	0901883	OPEL	1031
2463304800	0385742	MERCEDES	759, 777	26087869	0901883	VAUXHALL	1557
2463330014	1216210	MERCEDES	759, 777	26102922	0604353-K	OPEL	1044
2463330100	1216210	MERCEDES	759, 777	26102922	0604353-K	VAUXHALL	1560
2463330114	1216208	MERCEDES	759, 777	26102923	0284351	OPEL	1044
2463330200	1216209	MERCEDES	759, 777	26102923	0284351	VAUXHALL	1560
2463330214	1216209	MERCEDES	759, 777	26110429	0604352-K	OPEL	1044
2463330514	1216416	MERCEDES	759, 777	26110429	0604352-K	VAUXHALL	1560
2463330614	1216415	MERCEDES	759, 777	26110430	0601884-K	OPEL	1031
2463380000	0605742	MERCEDES	759, 777	26110431 *	0602140	OPEL	1031
2463500053	0705742	MERCEDES	760, 778	26110431	0602140-K	OPEL	1031
2463501006	0705743	MERCEDES	760, 778	26144989	0603262	FIAT	356
2463520165	1216212	MERCEDES	760, 778	266080	0600410	AUTOBIANCHI	125, 127
2463520265	1216211	MERCEDES	760, 778	266080	0600410	FIAT	363, 375, 402, 405, 407
2469-99-322	0283378	MAZDA	714	266080	0600410	INNOCENTI	576
25084B	0500846	TALBOT	1450	266080	0600410	PIAGGIO	1156
25088P	0180847	TALBOT	1450	266080	0600410	SEAT	1323, 1350
25103K	0190847	TALBOT	1450	266081	0280299	FIAT	375
2513201232	0502679	MERCEDES	807, 812	266081	0280299	PIAGGIO	1156
2513300703	0292677	MERCEDES	812	266081	0280299	SEAT	1350
2513300707	0392670	MERCEDES	806, 812	270477	0400868	VOLVO	1730, 1744
2513300743	1215843	MERCEDES	812	270597	0902872	VOLVO	1730, 1737, 1743
2513300803	0282677	MERCEDES	812	270881	0992389	VOLVO	1738
2513300807	0382670	MERCEDES	806, 812	270882	0982389	VOLVO	1738
2513300843	1215842	MERCEDES	812	271389	0600186	VOLVO	1743
2513301307	0392678	MERCEDES	812	271554	1211291	VOLVO	1743
2513301407	0382678	MERCEDES	812	271591 *	0403027	VOLVO	1745
2513301507	0392678	MERCEDES	812	271591	0403027-K	VOLVO	1745
2513301607	0382678	MERCEDES	812	271598	0293025	VOLVO	1728, 1730, 1745
2513301907	0392678	MERCEDES	812	271599	0283025	VOLVO	1728, 1730, 1745
2513302007	0382678	MERCEDES	812	271601	0903032	VOLVO	1728, 1745
2513330114	1215836	MERCEDES	806, 812	271628	0393073	VOLVO	1729
251407187	0400889	VOLKSWAGEN	1700	271629	0383073	VOLVO	1729
251407187A	0400889	VOLKSWAGEN	1700	271901	0393073	VOLVO	1729
251407187C	0404001	VOLKSWAGEN	1700	271902	0383073	VOLVO	1729
251407361	0400888	VOLKSWAGEN	1700	272336	0393074	VOLVO	1729, 1745
251411041C	1214127	VOLKSWAGEN	1700	272337	0383074	VOLVO	1729, 1745
251419803 *	0600887	VOLKSWAGEN	1700	272340	0392317	VOLVO	1730
251419803	0501501	VOLKSWAGEN	1700	272341	0382317	VOLVO	1730
251419803A *	0600887	VOLKSWAGEN	1700	272418	0904347	VOLVO	1724, 1731
251419803A	0501501	VOLKSWAGEN	1700	272991	0503873	VOLVO	1730, 1744
251419811	0280056	PORSCHE	1165, 1167	274117	0400863	VOLVO	1736
251419811	0280056	VOLKSWAGEN	1591, 1700	274118	0490866	VOLVO	1738
251419831A *	0902079	VOLKSWAGEN	1700	274119	0480866	VOLVO	1738
251419831A	1211142	VOLKSWAGEN	1700	274175	0293839	VOLVO	1724
2541-99-324A	0193429	MAZDA	744	274176	0283839	VOLVO	1724
25995127	1216025	CHEVROLET - DAEWOO 220		274179	0603840	VOLVO	1724
26001806	0280771	CHEVROLET - DAEWOO 223		274186	0403841	VOLVO	1724, 1731
26001806	0280771	GENERAL MOTORS	501	274191	0294347	VOLVO	1731
26001806	0280771	OPEL	1014, 1043	274192	0284347	VOLVO	1731
26001806	0280771	VAUXHALL	1541, 1551	274193	0403841	VOLVO	1724, 1731
26001807	0290771	CHEVROLET - DAEWOO 223		274224	0604478	VOLVO	1720
26001807	0290771	GENERAL MOTORS	501	274225	0294477	VOLVO	1720
26001807	0290771	OPEL	1014, 1043	274226	0284477	VOLVO	1720
26001807	0290771	VAUXHALL	1541, 1551	274303	0503842	VOLVO	1725, 1731, 1734
26011925	0280750	OPEL	1026-1027, 1029				
26011925	0280750	VAUXHALL	1553, 1555, 1562				
26065265	0281049	OPEL	1029				

RIF. ORIG. O.E. NUMBER	RIF. OCAP OCAP REF.	MARCA MAKE	PAG.	RIF. ORIG. O.E. NUMBER	RIF. OCAP OCAP REF.	MARCA MAKE	PAG.
274351	0294481	VOLVO	1734	2D0498831	0901504	VOLKSWAGEN	1624
274352	0284481	VOLVO	1734	2D0511329	0104151	VOLKSWAGEN	1625
274353	0603840	VOLVO	1724, 1731, 1734	2D0511413A	1214093	VOLKSWAGEN	1625
274354	0904481	VOLVO	1734	2D0511413B	1214223	VOLKSWAGEN	1584, 1625
274377	0404483	VOLVO	1725, 1734	2D0511413C	1214228	VOLKSWAGEN	1584, 1625
274452	0382317	VOLVO	1730	2D0511413D	1214226	VOLKSWAGEN	1625
274456	0503842	VOLVO	1725, 1731, 1734	2E0407151M	0792742	VOLKSWAGEN	1583
274498	0294481	VOLVO	1734	2E0407152M *	0402742	VOLKSWAGEN	1583
274499	0284481	VOLVO	1734	2E0407152M	0782742	VOLKSWAGEN	1583
274500	0284285	FORD	446	2E0407523	1215874	VOLKSWAGEN	1583
274500	0284285	VOLVO	1716, 1721	2E0407523A	1215874	VOLKSWAGEN	1583
274501	0294285	FORD	446	2E0411041C	1214298	MERCEDES	842
274501	0294285	VOLVO	1716, 1721	2E0411041C	1214298	VOLKSWAGEN	1583
274502	0604345	FORD	446, 449, 460- 461, 486	2E0411317C	0592743	VOLKSWAGEN	1583
274502	0604345	VOLVO	1716, 1721	2E0411318C	0582743	VOLKSWAGEN	1583
274523	0404483	VOLVO	1725, 1734	2E0498104	0282717	VOLKSWAGEN	1583
274524	0403841	VOLVO	1724, 1731	2E0511051F	0502744	VOLKSWAGEN	1584
274544	0403841	VOLVO	1724, 1731	2E0511051F	1215817	VOLKSWAGEN	1584
274548	0403841	VOLVO	1724, 1731	2E0713115 *	1211481	VOLKSWAGEN	1583
274573	0404483	VOLVO	1725, 1734	2E0713115	0902741	VOLKSWAGEN	1583
281407187 *	0400896	VOLKSWAGEN	1622	2E0713491 *	0602741	VOLKSWAGEN	1583
281407187 *	0400896-K	VOLKSWAGEN	1622-1623	2E0713491	0602741-K	VOLKSWAGEN	1583
281407187	0400896	VOLKSWAGEN	1623	2E0713501	0282717	VOLKSWAGEN	1583
281407187B *	0400896	VOLKSWAGEN	1622	2H0407021B *	0405746	VOLKSWAGEN	1571
281407187B *	0400896-K	VOLKSWAGEN	1622-1623	2H0407021B	0795746	VOLKSWAGEN	1571
281407187B	0400896	VOLKSWAGEN	1623	2H0407022B *	0405746	VOLKSWAGEN	1571
281407361 *	0400895-K	VOLKSWAGEN	1622-1623	2H0407022B	0785746	VOLKSWAGEN	1571
281407361	0400895	VOLKSWAGEN	1622-1623	2H0407077A	1216225	VOLKSWAGEN	1571
281411041	1214269	VOLKSWAGEN	1622-1623	2H0407151A *	0405747	VOLKSWAGEN	1572
281415303	0500892	VOLKSWAGEN	1621, 1623	2H0407151A	0795747	VOLKSWAGEN	1572
281415303B	0500892	VOLKSWAGEN	1621, 1623	2H0407152A *	0405747	VOLKSWAGEN	1572
281415701E	0501204	VOLKSWAGEN	1621	2H0407152A	0785747	VOLKSWAGEN	1572
281415801	0500235	VOLKSWAGEN	1621	2H0407182A	1216227	VOLKSWAGEN	1572
281415801D	0500235	VOLKSWAGEN	1621	2H0407183A	1216226	VOLKSWAGEN	1572
281415802	0500891	VOLKSWAGEN	1621, 1623	2H0411313B	1214292	VOLKSWAGEN	1572
281415802A	0500891	VOLKSWAGEN	1621, 1623	2H0411313C	1214292	VOLKSWAGEN	1572
281415811	0190890	VOLKSWAGEN	1621	2H0411317	0505746	VOLKSWAGEN	1572
281415812	0180890	VOLKSWAGEN	1621	2H0411317B	0505747	VOLKSWAGEN	1572
29120T	0400833	TALBOT	1447	2H0412333A	1216228	VOLKSWAGEN	1572
291411045	1214264	VOLKSWAGEN	1622-1623	2K0505465A	0503130	VOLKSWAGEN	1609
291415701E	0502406	VOLKSWAGEN	1623	2K0505465B	0503130	VOLKSWAGEN	1609
291415711	0182402	VOLKSWAGEN	1623	2K0505465C	0503130	VOLKSWAGEN	1609
291415801C	0502406	VOLKSWAGEN	1623	2K0505465E	0503130	VOLKSWAGEN	1609
291415811B	0182405	VOLKSWAGEN	1623	2K0511413A	1214300	VOLKSWAGEN	1609
292415702E	0502406	VOLKSWAGEN	1623	2K0511413C	1214300	VOLKSWAGEN	1609
29732U	0400832	TALBOT	1447	2K0511413D	1214300	VOLKSWAGEN	1609
2992592	0902749	IVECO	588	2L5462707A *	0190630	CITROEN	282
2992593	0602749	IVECO	588	2L5462707A **	0600627	CITROEN	282
2D0407021	0791505	VOLKSWAGEN	1624	2L5462707A	0590618	CITROEN	282
2D0407021B	0791505	VOLKSWAGEN	1624	2L5462708A *	0180630	CITROEN	282
2D0407022	0781505	VOLKSWAGEN	1624	2L5462708A **	0600627	CITROEN	282
2D0407022B	0781505	VOLKSWAGEN	1624	2L5462708A	0580618	CITROEN	282
2D0407140	1215705	VOLKSWAGEN	1624	2N0407183A	1216420	MAN	705
2D0407361A	0401505	VOLKSWAGEN	1624	2N0407183A	1216420	VOLKSWAGEN	1585
2D0411041A	1214064	VOLKSWAGEN	1625	2N0407183B	1216420	MAN	705
2D0411041B	1214091	VOLKSWAGEN	1625	2N0407183B	1216420	VOLKSWAGEN	1585
2D0411051	0591514	VOLKSWAGEN	1625	2N0407361A	0408675	MAN	705
2D0411052	0581514	VOLKSWAGEN	1625	2N0407361A	0408675	VOLKSWAGEN	1585
2D0422803 *	0601504	VOLKSWAGEN	1624	2N0411317B	0598675	MAN	705
2D0422803	0501503	VOLKSWAGEN	1624	2N0411317B	0598675	VOLKSWAGEN	1585
2D0422811	0281503	VOLKSWAGEN	1624	2N0411318A	0588675	MAN	705
2D0422831	1211400	VOLKSWAGEN	1624	2N0411318A	0588675	VOLKSWAGEN	1585
				2N0423810	0608675	MAN	705
				2N0423810	0608675	VOLKSWAGEN	1585
				2N0423811	0298675	MAN	705

RIF. ORIG. O.E. NUMBER	RIF. OCAP OCAP REF.	MARCA MAKE	PAG.	RIF. ORIG. O.E. NUMBER	RIF. OCAP OCAP REF.	MARCA MAKE	PAG.
2N0423811	0298675	VOLKSWAGEN	1585	30681488	0788089	VOLVO	1732
2N0423812	0288675	MAN	705	30681615	0384484	VOLVO	1734
2N0423812	0288675	VOLKSWAGEN	1585	30681615	0394484	VOLVO	1734
2Q0407151B *	0798864	AUDI	34	30683067	0704498	FORD	445, 448, 450
2Q0407151B *	0798864	SEAT	1311, 1338	30683067	0704498	MAZDA	713
2Q0407151B *	0798864	VOLKSWAGEN	1671	30683067	0704498	VOLVO	1717, 1723
2Q0407151B	0798863	AUDI	34	30683232	0504290	FORD	448
2Q0407151B	0798863	SEAT	1311, 1338	30683232	0504290	MAZDA	713
2Q0407151B	0798863	VOLKSWAGEN	1671	30683232	0504290	VOLVO	1723
2Q0407151C *	0798866	AUDI	35	30683248 *	0408090	VOLVO	1733
2Q0407151C *	0798866	SEAT	1312, 1339	30683248	0798090	VOLVO	1733
2Q0407151C *	0798866	VOLKSWAGEN	1672	30683249 *	0408090	VOLVO	1733
2Q0407151C	0798865	AUDI	35	30683249	0788090	VOLVO	1733
2Q0407151C	0798865	SEAT	1312, 1339	30714128	1215721	FORD	446-447, 460
2Q0407151C	0798865	VOLKSWAGEN	1672	30714128	1215721	MAZDA	712
2Q0407152B *	0788864	AUDI	34	30714128	1215721	VOLVO	1716-1717, 1721-1722
2Q0407152B *	0788864	SEAT	1311, 1338	30714422	0794288	FORD	446
2Q0407152B *	0788864	VOLKSWAGEN	1671	30714422	0794288	VOLVO	1716, 1721
2Q0407152B **	1216379	AUDI	34	30714423	0784288	FORD	446
2Q0407152B **	1216379	SEAT	1311, 1338	30714423	0784288	VOLVO	1716, 1721
2Q0407152B **	1216379	VOLKSWAGEN	1671	30714466	0504290	FORD	448
2Q0407152B	0788863	AUDI	34	30714466	0504290	MAZDA	713
2Q0407152B	0788863	SEAT	1311, 1338	30714466	0504290	VOLVO	1723
2Q0407152B	0788863	VOLKSWAGEN	1671	30714678	0503879	VOLVO	1725, 1731, 1734
2Q0407152C *	0788866	AUDI	35	30714683	1214241	VOLVO	1723
2Q0407152C *	0788866	SEAT	1312, 1339	30714685	0503842	VOLVO	1725, 1731, 1734
2Q0407152C *	0788866	VOLKSWAGEN	1672	30714686	0501681	ALFA ROMEO	28
2Q0407152C	0788865	AUDI	35	30714686	0501681	FIAT	383
2Q0407152C	0788865	SEAT	1312, 1339	30714686	0501681	OPEL	1033
2Q0407152C	0788865	VOLKSWAGEN	1672	30714686	0501681	VOLVO	1729, 1745
2Q0423810D	0608863	AUDI	34	30723085	0904344	VOLVO	1716, 1721
2Q0423810D	0608863	SEAT	1311, 1338	30730829	0794288	FORD	446
2Q0423810D	0608863	VOLKSWAGEN	1671	30730829	0794288	VOLVO	1716, 1721
2S715K743BA	0704176	FORD	469	30730830	0784288	FORD	446
301017	0783893	OPEL	1035	30730830	0784288	VOLVO	1716, 1721
301017	0783893	VAUXHALL	1559	30730831	0794288	FORD	446
301019	0793893	OPEL	1035	30730831	0794288	VOLVO	1716, 1721
301019	0793893	VAUXHALL	1559	30730831	0794288	FORD	446
302292	1215685	OPEL	1035	30730831	0794288	VOLVO	1716, 1721
302292	1215685	VAUXHALL	1559	307363387	0394348	VOLVO	1731
302293	1215686	OPEL	1035	307363388	0384348	VOLVO	1731
302293	1215686	VAUXHALL	1559	30736864	0701535	VOLVO	1727
302294	1215687	OPEL	1035	30736875	0502495	VOLVO	1727, 1733
302294	1215687	VAUXHALL	1559	30736956	1215721	FORD	446-447, 460
3043575	1211311	FORD	444	30736956	1215721	MAZDA	712
3054071551C	0708506	VOLKSWAGEN	1590	30736956	1215721	VOLVO	1716-1717, 1721-1722
3054071553C	0702048	VOLKSWAGEN	1590	3074073652	0490093	VOLKSWAGEN	1586
30620785	0500482	VOLVO	1719	3074073655	0490381	VOLKSWAGEN	1586
30620786	0502738	VOLVO	1719	3074073662	0480093	VOLKSWAGEN	1586
30635227	0393841	VOLVO	1724	3074073665	0480381	VOLKSWAGEN	1586
30635228	0383841	VOLVO	1724	3074198011	0590380	VOLKSWAGEN	1586, 1590
30635229	0393843	VOLVO	1724	3074198021	0580380	VOLKSWAGEN	1586, 1590
30635230	0383843	VOLVO	1724	3074198121	0280169	VOLKSWAGEN	1586, 1590
30635231	0394348	VOLVO	1731	30748230	0784288	FORD	446
30635232	0384348	VOLVO	1731	30748230	0784288	VOLVO	1716, 1721
30639368	1215729	VOLVO	1734	30748231	0794288	FORD	446
30639781	0384484	VOLVO	1734	30748231	0794288	VOLVO	1716, 1721
30639781	0394484	VOLVO	1734	30760069	0701535	VOLVO	1727
30645845	0394484	VOLVO	1734	30760586	0394583	VOLVO	1725
30645846	0384484	VOLVO	1734	30760587	0384583	VOLVO	1725
30645847	1215730	VOLVO	1734	30760678	0502495	VOLVO	1727, 1733
30648641	0502550	VOLVO	1727, 1733	30760806	0294481	VOLVO	1734
30666331	1216061	VOLVO	1717, 1723	30760807	0284481	VOLVO	1734
30666821	1216061	VOLVO	1717, 1723				
30681487	0798089	VOLVO	1732				

RIF. ORIG. O.E. NUMBER	RIF. OCAP OCAP REF.	MARCA MAKE	PAG.	RIF. ORIG. O.E. NUMBER	RIF. OCAP OCAP REF.	MARCA MAKE	PAG.
30776248	0282490	VOLVO	1726, 1732	30889963	0780482	VOLVO	1718
30776249	0292490	VOLVO	1726, 1732	3094600305	0500730	MERCEDES	854
30776250	0602491	FORD	453, 470	3094602905	0500730	MERCEDES	854
30776250	0602491	LAND ROVER	685	3094603005	0500730	MERCEDES	854
30776250	0602491	VOLVO	1726, 1732	3094603105	0500730	MERCEDES	854
30776251	0902491	VOLVO	1726, 1732	3094603205	0500730	MERCEDES	854
30776323	0294481	VOLVO	1734	310220034	0501114	MASERATI	706
30776324	0284481	VOLVO	1734	310220034-A	0280037	CITROEN	292
30818091	0500482	VOLVO	1719	310220034-A	0280037	FIAT	387-388, 398, 410
30818092	0500482	VOLVO	1719	310220034-A	0280037	LANCIA	674
30818096	0793506	MITSUBISHI	870, 875-876	310220034-A	0280037	MASERATI	706
30818097	0783506	MITSUBISHI	870, 875-876	310220034-A	0280037	PEUGEOT	1150
30818097	0783506	VOLVO	1719	310220034-A	0280037	VOLVO	1739
30818467	1215293	MITSUBISHI	869, 916	310220034-B	0600409	FIAT	385, 410
30818467	1215293	VOLVO	1718, 1720	310220034-B	0600409	MASERATI	706
30821651	0790482	MITSUBISHI	869, 916	310220034-B	0600409	SEAT	1324, 1354
30821651	0790482	VOLVO	1718	3103301335	0180730	MERCEDES	854
30862188 *	0180466-K	MITSUBISHI	872, 917	310801	0400775	OPEL	1057
30862188 *	0180466-K	VOLVO	1719-1720	310807	1211104	OPEL	1012, 1039
30863989	0780482	MITSUBISHI	869, 916	310811	0400778	OPEL	1059
30863989	0780482	VOLVO	1718	310815	0400769	OPEL	1013
30864209	0780482	MITSUBISHI	869, 916	310815	0400769	VAUXHALL	1550
30864209	0780482	VOLVO	1718	310816	0400755	GENERAL MOTORS	500
30870317 *	0180466-K	MITSUBISHI	872, 917	310816	0400755	OPEL	1040
30870317 *	0180466-K	VOLVO	1719-1720	310816	0400755	VAUXHALL	1552
30870695	0283440	HYUNDAI	559	310821	0401423	OPEL	1034
30870695	0283440	MITSUBISHI	869, 871, 873-876, 887, 916	310821	0401423	VAUXHALL	1558
30870695	0283440	VOLVO	1718	310823 *	0402956-K	ISUZU	580, 586
30871764 *	0180466-K	MITSUBISHI	872, 917	310823 *	0402956-K	OPEL	1035
30871764 *	0180466-K	VOLVO	1719-1720	310823 *	0402956-K	VAUXHALL	1559
30872510	1215292	MITSUBISHI	869, 916	310823	0402956	ISUZU	580, 586
30872510	1215292	VOLVO	1718, 1720	310823	0402956	OPEL	1035
30872511	1215291	MITSUBISHI	869, 916	310823	0402956	VAUXHALL	1559
30872511	1215291	VOLVO	1718, 1720	31102348046	0384218	BMW	169
30873100	0500467	VOLVO	1718	31102348047	0394218	BMW	169
30883988	0790482	MITSUBISHI	869, 916	31103412137	0394209	BMW	201
30883988	0790482	VOLVO	1718	31103412138	0384209	BMW	201
30884179	0504480	VOLVO	1720	31103412726	0404209	BMW	201
30884358	0500467	VOLVO	1718	31103415027	0394214	BMW	202
30884359 *	0180466-K	MITSUBISHI	872, 917	31103415028	0384214	BMW	202
30884359 *	0180466-K	VOLVO	1719-1720	31103418337	0394214	BMW	202
30884359	0180466	VOLVO	1719-1720	31103418338	0384214	BMW	202
30884360	0502738	VOLVO	1719	31103418341	0404209	BMW	201
30887025 *	0400482	MITSUBISHI	869, 873-876, 881, 913-914, 916, 918	31103426433	0394214	BMW	202
30887025 *	0400482	VOLVO	1718, 1720	31103426434	0384214	BMW	202
30887025	0790482	MITSUBISHI	869, 916	31103438623	0402724	BMW	201
30887025	0790482	VOLVO	1718	31103443127	0392724	BMW	201
30887033 *	0400482	MITSUBISHI	869, 873-876, 881, 913-914, 916, 918	31103443128	0382724	BMW	201
30887033 *	0400482	VOLVO	1718, 1720	31103451881	0394214	BMW	202
30887033	0780482	MITSUBISHI	869, 916	31103451882	0384214	BMW	202
30887033	0780482	VOLVO	1718	31104026719	0394218	BMW	169
30887469	0790482	MITSUBISHI	869, 916	31104026720	0384218	BMW	169
30887469	0790482	VOLVO	1718	31106771194	1215960	BMW	208
30887470	0780482	MITSUBISHI	869, 916	31106771897	1215961	BMW	208
30887470	0780482	VOLVO	1718	31106778015	1215959	BMW	208
30887470	0780482	MITSUBISHI	869, 916	31106786951	1216134	BMW	203
30887470	0780482	VOLVO	1718	31106786959	1216135	BMW	203
30887653	0794479	VOLVO	1720	31106787665	0405556	BMW	203
30887654	0784479	VOLVO	1720	31106787673 *	1216134	BMW	203
30889962	0790482	MITSUBISHI	869, 916	31106787673	0395556	BMW	203
30889962	0790482	VOLVO	1718	31106787674 *	1216134	BMW	203
30889963	0780482	MITSUBISHI	869, 916	31106787674	0385556	BMW	203
				31106861161	0398526	BMW	174
				31106861162	0388526	BMW	174

RIF. ORIG. O.E. NUMBER	RIF. OCAP OCAP REF.	MARCA MAKE	PAG.	RIF. ORIG. O.E. NUMBER	RIF. OCAP OCAP REF.	MARCA MAKE	PAG.
31106861177	0398527	BMW	175				202, 206
31106861178	0388527	BMW	175	31121125428	1215183	BMW	160
31106861185	0308525	BMW	174	31121125429	1215183	BMW	160
31106864374	1216356	BMW	174	31121125549 *	0390272	BMW	160
31109803662	0405560	MINI	863	31121125549	0390271	BMW	160
31120006482	0902899	BMW	166, 189	31121125550 *	0380272	BMW	160
31120304308	1215664	BMW	191	31121125550	0380271	BMW	160
31120305612	0904218	BMW	169, 179	31121125551 *	0390272	BMW	160
31120307882 *	0904210	BMW	201	31121125551	0390271	BMW	160
31120307882	0904209	BMW	201	31121125552 *	0380272	BMW	160
31120393540	0904232	BMW	131, 151, 216	31121125552	0380271	BMW	160
31120410791	0902125	BMW	152, 197	31121126253	0402039	BMW	140-141, 143, 212
31121092019	1215253	BMW	162, 164, 167, 186, 188	31121126254	0402038	BMW	140-141
31121092023	0391961	BMW	164	31121126302	1215183	BMW	160
31121092024	0381961	BMW	164	31121126394	1215183	BMW	160
31121092609 *	0391398	BMW	166	31121126426	1215183	BMW	160
31121092609	0391397	BMW	166	31121127141 *	0390272	BMW	160
31121092610 *	0381398	BMW	166	31121127141	0390271	BMW	160
31121092610	0381397	BMW	166	31121127142 *	0380272	BMW	160
31121092819	0391397	BMW	166	31121127142	0380271	BMW	160
31121092820	0381397	BMW	166	31121127194	0500065	BMW	141, 143, 160, 163, 187, 196
31121093449	0391026	BMW	164	31121127378	1215165	BMW	140-141, 211
31121093450	0381026	BMW	164	31121127385	1215111	BMW	184
31121094233	0391026	BMW	164	31121127725	0390378	BMW	140
31121094234	0381026	BMW	164	31121127726	0380378	BMW	140
31121094275	0390376	BMW	143, 212	31121129362	0390276	BMW	184
31121094276	0380376	BMW	143, 212	31121129363	0380276	BMW	184
31121094465 *	0391879-K	BMW	145, 215	31121130089 *	0398880	BMW	187, 196
31121094465	0391879	BMW	146, 215	31121130089	0392862	BMW	187, 196
31121095278	0901879	BMW	145, 215	31121130090 *	0388880	BMW	187, 196
31121096169	0391872	BMW	206	31121130090	0382862	BMW	187, 196
31121096170	0381872	BMW	206	31121130597 *	0398880	BMW	187, 196
31121096315	0391873	BMW	206	31121130597	0392862	BMW	187, 196
31121096316	0381873	BMW	206	31121130598 *	0388880	BMW	187, 196
31121096372	1215568	BMW	206	31121130598	0382862	BMW	187, 196
31121096425	0401872	BMW	206	31121130823	0390399	BMW	141, 211
31121096685	0400326	BMW	143, 212	31121130824	0380399	BMW	141, 211
31121096983	0901879	BMW	145, 215	31121131587	0390270	BMW	160, 162, 186
31121104387 *	1215314	BMW	128	31121131588	0380270	BMW	160, 162, 186
31121104387	0392186	BMW	128	31121132159 *	0392858	BMW	162
31121104388 *	1215314	BMW	128	31121132159	0392857	BMW	162
31121104388	0382186	BMW	128	31121132160 *	0382858	BMW	162
31121108384	0390268	BMW	158	31121132160	0382857	BMW	162
31121108385	0380268	BMW	158	31121132345 *	0390272	BMW	160
31121112902	1215004	BMW	128, 158	31121132345	0390271	BMW	160
31121114700	0390263	BMW	138	31121132346 *	0380272	BMW	160
31121114701	0380263	BMW	138	31121132346	0380271	BMW	160
31121116493	1215002	BMW	138, 158	31121132353 *	0390272	BMW	160
31121117025	1215101	BMW	184	31121132353	0390271	BMW	160
31121118130	0390276	BMW	184	31121132354 *	0380272	BMW	160
31121118131	0380276	BMW	184	31121132354	0380271	BMW	160
31121118131	1215111	BMW	184	31121133237	0392065	BMW	162, 186
31121118355	0390277	BMW	184	31121133238	0382065	BMW	162, 186
31121118356	0380277	BMW	184	31121133710	1215250	BMW	162, 187, 196
31121118682	1215084	BMW	184	31121133711 *	0392858	BMW	162
31121119260	1215002	BMW	138, 158	31121133711	0392857	BMW	162
31121123025	0390264	BMW	138	31121133712 *	0382858	BMW	162
31121123026	0380264	BMW	138	31121133712	0382857	BMW	162
31121123037	1215003	BMW	138	31121136529	0390376	BMW	143, 212
31121124401	0390270	BMW	160, 162, 186	31121136530	0380376	BMW	143, 212
31121124402	0380270	BMW	160, 162, 186	31121136531	0990376	BMW	143
31121124587	0390270	BMW	160, 162, 186	31121136532	0980376	BMW	143
31121124622	1215018	BMW	160, 162, 169, 179, 186, 191,	31121136605	1215250	BMW	162, 187, 196

RIF. ORIG. O.E. NUMBER	RIF. OCAP OCAP REF.	MARCA MAKE	PAG.	RIF. ORIG. O.E. NUMBER	RIF. OCAP OCAP REF.	MARCA MAKE	PAG.
31121136606	1215250	BMW	162, 187, 196	31124026453	0393846	BMW	191
31121136607	1215250	BMW	162, 187, 196	31124026454	0383846	BMW	191
31121138477	0390229	BMW	196	31124036269	0394232	BMW	131, 151, 216
31121138478	0380229	BMW	196	31124036270	0384232	BMW	131, 151, 216
31121139131	0402039	BMW	140-141, 143, 212	31124048627	0792617	MINI	859
				31124048628	0782617	MINI	859
31121139456	1215250	BMW	162, 187, 196	31124083309	0398673	BMW	172, 182
31121139789	1249515	BMW	143	31124083310	0388673	BMW	172, 182
31121139790	1249514	BMW	143	31124083311	0398081	BMW	176, 193
31121139987	0392065	BMW	162, 186	31124083312	0388081	BMW	176, 193
31121139988	0382065	BMW	162, 186	31126750221	0901879	BMW	145, 215
31121139991	0390270	BMW	160, 162, 186	31126751317 *	0391879-K	BMW	145, 215
31121139992	0380270	BMW	160, 162, 186	31126751317	0391879	BMW	146, 215
31121139999 *	0398880	BMW	187, 196	31126751318 *	0381879-K	BMW	145, 215
31121139999	0392862	BMW	187, 196	31126751318	0381879	BMW	146, 215
31121140000 *	0388880	BMW	187, 196	31126752717 *	0391879-K	BMW	145, 215
31121140000	0382862	BMW	187, 196	31126752717	0391879	BMW	146, 215
31121140398	0400326	BMW	143, 212	31126752718 *	0381879-K	BMW	145, 215
31121140399	0390376	BMW	143, 212	31126752718	0381879	BMW	146, 215
31121140400	0380376	BMW	143, 212	31126753989	0791866	MINI	857
31121140957	0390376	BMW	143, 212	31126753990	0781866	MINI	857
31121140958	0380376	BMW	143, 212	31126753991	0491866	MINI	857
31121141097 *	0392858	BMW	162	31126753992	0481866	MINI	857
31121141097	0392857	BMW	162	31126754899	0901879	BMW	145, 215
31121141098 *	0382858	BMW	162	31126755835	0393847	BMW	179, 191
31121141098	0382857	BMW	162	31126755836	0383847	BMW	179, 191
31121141717	0391392	BMW	164	31126756101	0393846	BMW	191
31121141718	0381392	BMW	164	31126756102	0383846	BMW	191
31121141721	0391044	BMW	189	31126756309	0401867	MINI	857
31121141722	0381044	BMW	189	31126756491	0401872	BMW	206
31121141723	0391033	BMW	188	31126757551	1215816	MINI	857, 859
31121141724	0381033	BMW	188	31126757561	0991867	MINI	857
31121141752	0902899	BMW	166, 189	31126757562	0981867	MINI	857
31121141961	0392877	BMW	167	31126757622	0901389	BMW	145
31121141962	0382877	BMW	167	31126757623	0901879	BMW	145, 215
31121142087	0391032	BMW	188	31126758510	0400326	BMW	143, 212
31121142088	0381032	BMW	188	31126758513	0390376	BMW	143, 212
31122226528	1215250	BMW	162, 187, 196	31126758514	0380376	BMW	143, 212
31122226581 *	0392858	BMW	162	31126758515	0390376	BMW	143, 212
31122226581	0392857	BMW	162	31126758516	0380376	BMW	143, 212
31122226582 *	0382858	BMW	162	31126758519 *	0391879-K	BMW	145, 215
31122226582	0382857	BMW	162	31126758519	0391879	BMW	146, 215
31122229453	0395340	BMW	148	31126758520 *	0381879-K	BMW	145, 215
31122229454	0385340	BMW	148	31126758520	0381879	BMW	146, 215
31122229623	1216037	BMW	148	31126760181	0394221	BMW	169
31122229624	1216036	BMW	148	31126760182	0384221	BMW	169
31122229857	1216038	BMW	148	31126760183	0394218	BMW	169
31122282121 *	0391879-K	BMW	145, 215	31126760184	0384218	BMW	169
31122282121	0391879	BMW	146, 215	31126760275	0391873	BMW	206
31122282122 *	0381879-K	BMW	145, 215	31126760276	0381873	BMW	206
31122282122	0381879	BMW	146, 215	31126760519	0393846	BMW	191
31122347951	0394221	BMW	169	31126760520	0383846	BMW	191
31122347952	0384221	BMW	169	31126761409	0791866	MINI	857
31122405859	0394235	BMW	131, 151	31126761410	0781866	MINI	857
31122405860	0384235	BMW	131, 151	31126763699	0394235	BMW	131, 151
31122785111	0798510	MINI	861	31126763700	0384235	BMW	131, 151
31122785112	0788510	MINI	861	31126763703	0394232	BMW	131, 151, 216
31122785113	0798535	BMW	135, 199	31126763704	0384232	BMW	131, 151, 216
31122785113	0798535	MINI	865	31126763707	0394232	BMW	131, 151, 216
31122785114	0788535	BMW	135, 199	31126763708	0384232	BMW	131, 151, 216
31122785114	0788535	MINI	865	31126763719	1215789	BMW	131, 151, 216
31124004359	0901879	BMW	145, 215	31126765991	1215664	BMW	191
31124004360	0901879	BMW	145, 215	31126765993	0393846	BMW	191
31124015707	0791866	MINI	857	31126765994	0383846	BMW	191
31124015708	0781866	MINI	857	31126765995	0394218	BMW	169

RIF. ORIG. O.E. NUMBER	RIF. OCAP OCAP REF.	MARCA MAKE	PAG.	RIF. ORIG. O.E. NUMBER	RIF. OCAP OCAP REF.	MARCA MAKE	PAG.
31126765996	0384218	BMW	169	31126777744	0384605	BMW	172, 182
31126765997	0392361	BMW	179	31126777851 *	0391879-K	BMW	145, 215
31126765998	0382361	BMW	179	31126777851	0391879	BMW	146, 215
31126767530	1215816	MINI	857, 859	31126777852 *	0381879-K	BMW	145, 215
31126767651	1215018	BMW	160, 162, 169, 179, 186, 191, 202, 206	31126777852	0381879	BMW	146, 215
31126768297	0394221	BMW	169	31126784569	1216006	BMW	171-172, 175- 177, 181-182, 193-194
31126768298	0384221	BMW	169	31126787669	0395557	BMW	203
31126768983	0392125	BMW	152, 197	31126787670 *	1216135	BMW	203
31126768984	0382125	BMW	152, 197	31126787670	0385557	BMW	203
31126768988	0402125	BMW	152, 197	31126787673 *	1216135	BMW	203
31126768989	0302126	BMW	152, 197	31126791455	1216007	BMW	171, 181
31126769715	1215568	BMW	206	31126794203	0394607	BMW	171, 181
31126769717	0391872	BMW	206	31126794204	0384607	BMW	171, 181
31126769718	0381872	BMW	206	31126798107	0398082	BMW	176, 193
31126769797	0394232	BMW	131, 151, 216	31126798108	0388082	BMW	176, 193
31126769798	0384232	BMW	131, 151, 216	31126850397 *	1216336	BMW	135, 199
31126769801	0394232	BMW	131, 151, 216	31126850397 *	1216336	MINI	861, 865
31126769802	0384232	BMW	131, 151, 216	31126850397	0798510	MINI	861
31126770248 *	0381879-K	BMW	145, 215	31126850398 *	1216336	BMW	135, 199
31126770248	0381879	BMW	146, 215	31126850398 *	1216336	MINI	861, 865
31126770849	0394235	BMW	131, 151	31126850398	0788510	MINI	861
31126770850 *	1215700	BMW	131, 151	31126850403	1216360	BMW	135, 199
31126770850	0384235	BMW	131, 151	31126850403	1216360	MINI	861
31126771893	0393233	BMW	208	31126850404	1216359	BMW	135, 199
31126771894	0383233	BMW	208	31126850404	1216359	MINI	861
31126772235	1249548	MINI	859	31126850605	0394605	BMW	172, 182
31126772236	1249549	MINI	859	31126850606	0384605	BMW	172, 182
31126772301	0792617	MINI	859	31126850607	1216253	BMW	172, 177, 182, 194
31126772302 *	0402617	MINI	859	31126851203	0798535	BMW	135, 199
31126772302	0782617	MINI	859	31126851203	0798535	MINI	865
31126772303	0492618	MINI	859	31126851204	0788535	BMW	135, 199
31126772304	0482618	MINI	859	31126851204	0788535	MINI	865
31126773949	0393231	BMW	208	31126851691	0398672	BMW	210
31126773950	0383231	BMW	208	31126851692	0388672	BMW	210
31126774819 *	0391879-K	BMW	145, 215	31126851693	1216431	BMW	210
31126774819	0391879	BMW	146, 215	31126852991 *	1216078	BMW	133, 154, 156
31126774820 *	0381879-K	BMW	145, 215	31126852991	0398086	BMW	133, 154, 156
31126774820	0381879	BMW	146, 215	31126852992 *	1216078	BMW	133, 154, 156
31126774825	0394218	BMW	169	31126852992	0388086	BMW	133, 154, 156
31126774826	0384218	BMW	169	31126855741	0398085	BMW	133, 154, 156
31126774831	0393846	BMW	191	31126855742	0388085	BMW	133, 154, 156
31126774832	0383846	BMW	191	31126855743	1216077	BMW	133, 154, 156
31126775145	1216074	BMW	176, 193	31126861156	1216358	BMW	175
31126775959	0398081	BMW	176, 193	31126861187	1216357	BMW	174
31126775960	0388081	BMW	176, 193	31126866240	0308525	BMW	174
31126775963	0398082	BMW	176, 193	31126871301	0798535	BMW	135, 199
31126775964	0388082	BMW	176, 193	31126871301	0798535	MINI	865
31126775967 *	1216008	BMW	172, 177, 182, 194	31126871302 *	1216336	BMW	135, 199
31126775967	0304608	BMW	172, 177, 182, 194	31126871302 *	1216336	MINI	861, 865
31126775971 *	1216005	BMW	171, 181	31126871302	0788535	BMW	135, 199
31126775971	0394606	BMW	171, 181	31126871302	0788535	MINI	865
31126775972 *	1216005	BMW	171, 181	31126874341	1216360	BMW	135, 199
31126775972	0384606	BMW	171, 181	31126874341	1216360	MINI	861
31126776417	0393234	BMW	208	31126874342	1216359	BMW	135, 199
31126776418	0383234	BMW	208	31126874342	1216359	MINI	861
31126777653	1216430	BMW	172, 182	31126879841	0798510	MINI	861
31126777733	0398673	BMW	172, 182	31126879842	0788510	MINI	861
31126777734	0388673	BMW	172, 182	31126879843	0798535	BMW	135, 199
31126777739	0395563	BMW	177, 194	31126879843	0798535	MINI	865
31126777740	0385563	BMW	177, 194	31126879844	0788535	BMW	135, 199
31126777743	0394605	BMW	172, 182	31126879844	0788535	MINI	865
				31126882843	1216360	BMW	135, 199

RIF. ORIG. O.E. NUMBER	RIF. OCAP OCAP REF.	MARCA MAKE	PAG.	RIF. ORIG. O.E. NUMBER	RIF. OCAP OCAP REF.	MARCA MAKE	PAG.
31126882843	1216360	MINI	861	31202229	0788090	VOLVO	1733
31126882844	1216359	BMW	135, 199	31212503	0702739	FORD	445, 447, 450
31126882844	1216359	MINI	861	31212503	0702739	MAZDA	713
31129058814	1215165	BMW	140-141, 143, 211-212	31212503	0702739	VOLVO	1717, 1723
31129058815	1215165	BMW	140-141, 211	31212781	0782492	VOLVO	1726
31129058816	1215183	BMW	160	31212782	0792492	VOLVO	1726
31129058817	1215183	BMW	160	31212979	0794288	FORD	446
31129058818	1215183	BMW	160	31212979	0794288	VOLVO	1716, 1721
31129058819	1215183	BMW	160	31212980	0784288	FORD	446
31129058820	1215084	BMW	184	31212980	0784288	VOLVO	1716, 1721
31129058931	1215165	BMW	140-141, 211	31262037	0783135	VOLVO	1717, 1722
31129059288	1215165	BMW	140-141, 143, 211-212	31262039	0793135	VOLVO	1717, 1722
31129068734	0902899	BMW	166, 189	31262930 *	1216034	VOLVO	1727
31129068753 *	1215493	BMW	164	31262930	0701535	VOLVO	1727
31129068753	0901962	BMW	164	31277343	0792492	VOLVO	1726
31129071085	0902899	BMW	166, 189	31277344	0782492	VOLVO	1726
31129071085	1215258	BMW	166, 188	31277345	0798090	VOLVO	1733
31129803497	1216148	MINI	863	31277346	0788090	VOLVO	1733
31129803498	1216147	MINI	863	31277462	0783135	VOLVO	1717, 1722
31129803788	1216146	MINI	863	31277463	0793135	VOLVO	1717, 1722
31129804427	1216148	MINI	863	31277464	0794288	FORD	446
31129804428	1216147	MINI	863	31277464	0794288	VOLVO	1716, 1721
31129804431	0395560	MINI	863	31277465	0784288	FORD	446
31129804432	0385560	MINI	863	31277465	0784288	VOLVO	1716, 1721
31129806519	0395560	MINI	863	31277465	0784288	VOLVO	1716, 1721
31129806520	0385560	MINI	863	31277525 *	0408089	VOLVO	1732
31131103834	0400259	BMW	129	31277525	0798089	VOLVO	1732
311405361B	0404304	VOLKSWAGEN	1714-1715	31277526 *	0408089	VOLVO	1732
311405371	0404303	VOLKSWAGEN	1714-1715	31277526	0788089	VOLVO	1732
311405371C	0404303	VOLKSWAGEN	1714-1715	31277652	0504346	FORD	447, 449, 460- 461, 486
311415802	0505014	VOLKSWAGEN	1709, 1714	31277652	0504346	MAZDA	713
311415802B	0504012	VOLKSWAGEN	1709	31277652	0504346	VOLVO	1717, 1722
311415811C	0190882	VOLKSWAGEN	1699, 1710- 1712, 1715	31280000	0292490	VOLVO	1726, 1732
311415812C	0180882	PORSCHE	1165, 1167	31280001	0282490	VOLVO	1726, 1732
311415812C	0180882	VOLKSWAGEN	1699, 1710- 1713, 1715	31280002	0602491	FORD	453, 470
311415818	0184301	VOLKSWAGEN	1714	31280002	0602491	LAND ROVER	685
31193412135	0394214	BMW	202	31280002	0602491	VOLVO	1726, 1732
31193412136	0384214	BMW	202	31280408	0608089	VOLVO	1732
31200448	0792492	VOLVO	1726	31280658	0602491	FORD	453, 470
31200564	0792492	VOLVO	1726	31280658	0602491	LAND ROVER	685
31200775 *	0402492	VOLVO	1726	31280658	0602491	VOLVO	1726, 1732
31200775	0782492	VOLVO	1726	31302284643	0599297	BMW	133, 154, 156
31200776 *	0402492	VOLVO	1726	31302284644	0589297	BMW	133, 154, 156
31200776	0792492	VOLVO	1726	31302344	0292490	VOLVO	1726, 1732
31201005	0384484	VOLVO	1734	31302345	0282490	VOLVO	1726, 1732
31201005	0394484	VOLVO	1734	31303413201	0594215	BMW	202
31201180 *	0403135	VOLVO	1717, 1722	31303413202	0584215	BMW	202
31201180	0783135	VOLVO	1717, 1722	31303414299	0594215	BMW	202
31201181 *	0403135	VOLVO	1717, 1722	31303414300	0584215	BMW	202
31201181	0793135	VOLVO	1717, 1722	31306781545	0593848	BMW	191
31201228	0294481	VOLVO	1734	31306781546	0583848	BMW	191
31201229	0284481	VOLVO	1734	31306781547	0594222	BMW	169
31201412	0284285	FORD	446	31306781548	0584222	BMW	169
31201412	0284285	VOLVO	1716, 1721	31306781549	0592462	BMW	169
31201413	0294285	FORD	446	31306781550	0582462	BMW	169
31201413	0294285	VOLVO	1716, 1721	31306787163	0595556	BMW	203
31201485	0404483	VOLVO	1725, 1734	31306787164	0585556	BMW	203
31201817	0604345	FORD	446, 449, 460- 461, 486	31306792211	0508085	BMW	134, 155, 157
31201817	0604345	VOLVO	1716, 1721	31306792212	0588086	BMW	134, 155, 157
31202228	0798090	VOLVO	1733	31306861483	0508528	BMW	175
				31306862863	0508507	MINI	861
				31306862864	0508533	BMW	135, 199
				31306862864	0508533	MINI	865
				31310-GA120	0603598	SUBARU	1421
				31310-GA151	0603599	SUBARU	1421

RIF. ORIG. O.E. NUMBER	RIF. OCAP OCAP REF.	MARCA MAKE	PAG.	RIF. ORIG. O.E. NUMBER	RIF. OCAP OCAP REF.	MARCA MAKE	PAG.
31310-GA170	0603597	SUBARU	1421	31351130075	0500065	BMW	141, 143, 160, 163, 187, 196
31317662	0782492	VOLVO	1726	31351132786	1214074	BMW	163, 187, 196
31317663	0798090	VOLVO	1733	31351133738	1214146	BMW	163
31317664	0788090	VOLVO	1733	31351134582	0500065	BMW	141, 143, 160, 163, 187, 196
31317665	0798089	VOLVO	1732	31351135805	1215425	BMW	163
31317666	0788089	VOLVO	1732	31351507989	0501868	MINI	857
31320-GA101	0283596	SUBARU	1421	31351701066	0500460	BMW	141
31320-GA111	0293596	SUBARU	1421	31352227203	0503852	BMW	143, 213
31320-GA190	0281928	SUBARU	1410	31354014531	0594222	BMW	169
31320-GA200	0291928	SUBARU	1410	31354014532	0584222	BMW	169
31340127	0388523	VOLVO	1727	31354014575	0592362	BMW	179
31340128	0398523	VOLVO	1727	31354014576	0582362	BMW	179
31340273	0504346	FORD	447, 449, 460- 461, 486	31356750703	0591874	BMW	206
31340273	0504346	MAZDA	713	31356750704	0581874	BMW	206
31340273	0504346	VOLVO	1717, 1722	31356751079	0592463	BMW	146
31351090186	1214167	BMW	144, 213	31356751080	0582463	BMW	146
31351090263	1214168	BMW	144, 213	31356751080	0582463	BMW	146
31351090268	1214166	BMW	144, 213	31356753767	0593848	BMW	191
31351090300	1214169	BMW	144, 213	31356753768	0583848	BMW	191
31351090860	1214165	BMW	144, 213	31356753768	0583848	BMW	191
31351091228	1214165	BMW	144, 213	31356757069	1214235	MINI	857
31351091496	0501035	BMW	189	31356757146	1214234	MINI	857, 860
31351091555	1214160	BMW	189	31356759537	0503881	MINI	857, 860
31351091764	0500997	BMW	141, 143, 211, 213	31356760985	0594222	BMW	169
31351091855	0591023	BMW	165	31356760986	0584222	BMW	169
31351091856	0581023	BMW	165	31356761591	1214157	BMW	169
31351092304	0502878	BMW	167	31356763267	1214158	BMW	191
31351093108	1214148	BMW	165	31356764113	1214164	BMW	169, 179
31351093263	1214159	BMW	165	31356765574	1214156	BMW	131, 152, 216
31351094145	1214148	BMW	165	31356765933	0594236	BMW	131, 152, 216
31351094554	1214153	BMW	146	31356765934	0584236	BMW	131, 152, 216
31351094555	1214155	BMW	146	31356768083	0592462	BMW	169
31351094556	1214152	BMW	146, 215	31356768084	0582462	BMW	169
31351095271	1214150	BMW	146	31356768771 *	0598681	BMW	152, 197
31351095661	0591023	BMW	165	31356768771	0592128	BMW	152, 197
31351095662	0581023	BMW	165	31356768772 *	0588681	BMW	152, 197
31351095664	0502878	BMW	167	31356768772	0582128	BMW	152, 197
31351095694	0501390	AUDI	32, 35, 38	31356769499	0594222	BMW	169
31351095694	0501390	BMW	146, 148, 215	31356769500	0584222	BMW	169
31351095694	0501390	SEAT	1312, 1334, 1337, 1339, 1353	31356769663	0592362	BMW	179
31351095694	0501390	SKODA	1359, 1363, 1365-1366, 1384, 1387	31356769664	0582362	BMW	179
31351095694	0501390	VOLKSWAGEN	1588, 1668, 1670, 1672, 1708	31356769714	1214162	BMW	152
31351095695	0501035	BMW	189	31356770003	1214163	BMW	169
31351097021	1214147	BMW	206	31356772843	1214236	MINI	860
31351097179	1214154	BMW	146	31356773023	0593235	BMW	209
31351124380	0500065	BMW	141, 143, 160, 163, 187, 196	31356773024	0583235	BMW	209
31351127194	0500065	BMW	141, 143, 160, 163, 187, 196	31356773512	1214162	BMW	152
31351127390	1215424	BMW	158, 160	31356777319	0504609	BMW	172, 177, 182, 194
31351127414	1215422	BMW	141	31356778069	0593848	BMW	191
31351127689	0500997	BMW	141, 143, 211, 213	31356778070	0583848	BMW	191
31351128050	0500065	BMW	141, 143, 160, 163, 187, 196	31356778831	0503881	MINI	857, 860
31351128737	0500997	BMW	141, 143, 211, 213	31356780847	0501390	AUDI	32, 35, 38
31351129139	1215423	BMW	141	31356780847	0501390	BMW	146, 148, 215
				31356780847	0501390	SEAT	1312, 1334, 1337, 1339, 1353
				31356780847	0501390	SKODA	1359, 1363, 1365-1366, 1384, 1387
				31356780847	0501390	VOLKSWAGEN	1588, 1668, 1670, 1672, 1708
				31356857623	0593235	BMW	209
				31356857624	0583235	BMW	209
				31356859651	0593235	BMW	209

RIF. ORIG. O.E. NUMBER	RIF. OCAP OCAP REF.	MARCA MAKE	PAG.	RIF. ORIG. O.E. NUMBER	RIF. OCAP OCAP REF.	MARCA MAKE	PAG.
31356859652	0583235	BMW	209				193
31359806351	0595561	MINI	863	32106784719 *	0604605	BMW	171, 176, 181, 193
31359806352	0585561	MINI	863				
31406337	1216424	FORD	456, 471	32106784719	0584604	BMW	171, 176, 181, 193
31406337	1216424	VOLVO	1727				
31406350	1216425	FORD	456, 471	32106784790	0294604	BMW	171, 176, 181, 193
31406350	1216425	VOLVO	1727				
31429320	0388523	VOLVO	1727	32106784796	0284604	BMW	171, 176, 181, 193
31429321	0398523	VOLVO	1727				
31509803515	0595572	MINI	864	32106787472 *	0605556	BMW	203
31509803516	0585572	MINI	864	32106787472	0505556	BMW	203
316620103	0400401	FIAT	410	32106791561	0904604	BMW	171, 176, 181, 193
316620103	0400401	MASERATI	706				
3209407	0593874	VOLVO	1739	32106792674	0285556	BMW	203
3209408	0583874	VOLVO	1739	32106793496 *	32106774336 *0601871BMW		201, 205, 208
32102353824	0903229	BMW	133, 154, 156, 208	32106793496	0504208	BMW	201, 208
				32106793497	0284208	BMW	201, 208
32103412798 *	0601871	BMW	201, 205, 208	32106793621	0592287	BMW	151, 197
32103412798	0504208	BMW	201, 208	32106793622	0582287	BMW	151, 197
32103444999 *	0601871	BMW	201, 205, 208	32106793623	0292287	BMW	151, 197
32103444999	0504208	BMW	201, 208	32106793624	0282287	BMW	151, 197
32106765079	0904230	BMW	130, 150	32106795845	0903229	BMW	133, 154, 156, 208
32106765089	0294231	BMW	130, 150				
32106765090	0284231	BMW	130, 150	32106795845	0905556	BMW	203
32106765234	0902287	BMW	130, 150-151, 197, 216	32106799960 *	0608085	BMW	133, 154, 156
				32106799960	0598085	BMW	133, 154, 156
32106765235 *	0602124	BMW	130, 150, 216	32106799965 *	0608085	BMW	133, 154, 156
32106765235	0592123	BMW	130, 150, 216	32106799965	0588085	BMW	133, 154, 156
32106765236 *	0602124	BMW	130, 150, 216	32106799966	0298085	BMW	133, 154, 156
32106765236	0582123	BMW	130, 150, 216	32106799967	0288085	BMW	133, 154, 156
32106765782	0902360	BMW	179	32106854733 *	0608509	MINI	861
32106767781	0292123	BMW	130, 150, 216	32106854733	0598508	MINI	861
32106767782	0282123	BMW	130, 150, 216	32106854734	0298508	MINI	861
32106768879	0592287	BMW	151, 197	32106854736 *	0608509	MINI	861
32106768880	0582287	BMW	151, 197	32106854736	0588508	MINI	861
32106769073	0292287	BMW	151, 197	32106854737	0288508	MINI	861
32106769074	0282287	BMW	151, 197	32106865380	0908508	BMW	135, 199
32106774220	0291387	BMW	145, 214	32106865380	0908508	MINI	861, 865
32106774221	0281387	BMW	145, 214	32106867404 *	0608534	BMW	135, 199
32106774335	0282386	BMW	205	32106867404 *	0608534	MINI	865
32106774336	0502386	BMW	205	32106867404	0598534	BMW	135, 199
32106774347 *	0604217	BMW	168, 179	32106867404	0598534	MINI	865
32106774347	0504217	BMW	168, 179	32106867405 *	0608534	BMW	135, 199
32106774360	0503844	BMW	191	32106867405 *	0608534	MINI	865
32106774361	0283844	BMW	168, 179, 191	32106867405	0588534	BMW	135, 199
32106777479 *	0604217	BMW	168, 179	32106867405	0588534	MINI	865
32106777479	0504217	BMW	168, 179	32106868685	0298524	BMW	174
32106777503	0591383	BMW	145, 214	32106868687	0288524	BMW	174
32106777504	0581383	BMW	145, 214	32106868688 *	0608524	BMW	174
32106777522 *	0601865	MINI	856	32106868688	0598524	BMW	174
32106777522	0582391	MINI	856	32106868689 *	0608524	BMW	174
32106778437	0292615	MINI	859	32106868689	0588524	BMW	174
32106778438	0282615	MINI	859	32106869424	0298534	BMW	135, 199
32106778547	0592615	MINI	859	32106869424	0298534	MINI	865
32106778548	0582615	MINI	859	32106869425	0288534	BMW	135, 199
32106778560 *	1211605	MINI	859	32106869425	0288534	MINI	865
32106778560	0902616	MINI	859, 863	32106869535	0598524	BMW	174
32106779622	0903229	BMW	133, 154, 156, 208	32106869537	0588524	BMW	174
				32106870519	0903229	BMW	133, 154, 156, 208
32106780984	0284208	BMW	201, 208				
32106780985 *	0601871	BMW	201, 205, 208	32106876979	0908524	BMW	174
32106780985	0504208	BMW	201, 208	32109803321 *	0602616	MINI	859, 863
32106784716 *	0604605	BMW	171, 176, 181, 193	32109803321	0595560	MINI	863
				32109803322 *	0602616	MINI	859, 863
32106784716	0594604	BMW	171, 176, 181,	32109803322	0585560	MINI	863
				32109805551	0295560	MINI	863

RIF. ORIG. O.E. NUMBER	RIF. OCAP OCAP REF.	MARCA MAKE	PAG.	RIF. ORIG. O.E. NUMBER	RIF. OCAP OCAP REF.	MARCA MAKE	PAG.
3210980552	0285560	MINI	863	32136756757	0901865	MINI	856
32109808837	0595560	MINI	863	321419801B	0500540	AUDI	105
32109808838	0585560	MINI	863	321419801B	0500540	VOLKSWAGEN	1632
32109808839	0295560	MINI	863	321419801E	0500540	AUDI	105
32109808840	0285560	MINI	863	321419801E	0500540	VOLKSWAGEN	1632
32111091767	0591021	BMW	164	321419801G	0593962	VOLKSWAGEN	1635
32111091768	0581021	BMW	164	321419805	0190533	AUDI	105-106
32111091769	0291022	BMW	164	321419805	0190533	VOLKSWAGEN	1632
32111091770	0281022	BMW	164	322064	0500776	OPEL	1059
32111093769	0591021	BMW	164	322074	0500782	OPEL	1060
32111093770	0581021	BMW	164	322074	0500782	VAUXHALL	1547
32111094673 *	0601021	BMW	164	322075	0500785	OPEL	1060
32111094673	0591021	BMW	164	322075	0500785	VAUXHALL	1547
32111094674 *	0601021	BMW	164	322078	0600751	OPEL	1026
32111094674	0581021	BMW	164	322078	0600751	VAUXHALL	1562
32111096897	0591383	BMW	145, 214	32211091720	0501393	BMW	166
32111096898	0581383	BMW	145, 214	32211091721	0501394	BMW	166
32111115229	0501108	BMW	137	32211091723	0291395	BMW	166
32111115233	0600261	BMW	137	32211091724	0281395	BMW	166
32111115241	0500262	BMW	137	32211091913	0501027	BMW	188
32111116067	1211078	BMW	137	32211091914	0501028	BMW	188
32111116463	0280260	BMW	137	32211091917	0501029	BMW	188
32111116463	0280260	PORSCHE	1159	32211091918	0501030	BMW	188
32111116709	0600261	BMW	137	32211092609	0391397	BMW	166
32111116710	0600262	BMW	137	32211092610	0381397	BMW	166
32111117426	1211087	BMW	137, 140	32211093433	0501027	BMW	188
32111118688	1211078	BMW	137	32211093434	0501028	BMW	188
32111125131	1211078	BMW	137	32211095955	0591383	BMW	145, 214
32111125186	0592039	BMW	139	32211095956	0581383	BMW	145, 214
32111125187	0582039	BMW	139	32211095957	0291387	BMW	145, 214
32111126620	0602038	BMW	139	32211095958	0281387	BMW	145, 214
32111126757	0182037	BMW	139, 211	32211096057	0501027	BMW	188
32111127104	1211088	BMW	140, 211	32211096058	0501028	BMW	188
32111127124	0602039	BMW	139	32211096059	0501393	BMW	166
32111130449	0602039	BMW	139	32211096060	0501394	BMW	166
32111137071	1211090	BMW	142	32211096327	0281870	BMW	205
32111139313	0290371	BMW	142, 212	32211096897	0591383	BMW	145, 214
32111139314	0280371	BMW	142, 212	32211096898 *	0601383	BMW	145, 148, 214
32111139315	0590374	BMW	142, 212	32211096898	0581383	BMW	145, 214
32111139316 *	0600372	BMW	142, 212	32211103076	0501107	BMW	129
32111139316	0580374	BMW	142, 212	32211103077	0500256	BMW	129
32111139318 *	0600373	BMW	142	32211104015	0502184	BMW	128
32111139318	0580375	BMW	142	32211105431	0500267	BMW	158
32111701040	0602039	BMW	139	32211105432	0500267	BMW	158
32112228785	0595340	BMW	148	32211107076	0500256	BMW	129
32112228786	0585340	BMW	148	32211108080	0500267	BMW	158
32116754563	0591864	MINI	856	32211108081	0500265	BMW	158
32116754564 *	0601865	MINI	856	32211113447	0180266	BMW	158, 184
32116754564	0581864	MINI	856	32211113448	0180266	BMW	158, 184
32116761557	0592391	MINI	856	32211114842	0180282	BMW	129
32116761558	0582391	MINI	856	32211114842	0180282	MERCEDES	748-750, 814, 816, 827
32116761559	0292391	MINI	856	32211114842	0180282	PORSCHE	1158, 1164
32116761560	0282391	MINI	856	32211114843	0180266	BMW	128, 158, 184
32116777521	0592391	MINI	856	32211114844	0190258	BMW	129
3211956	0400860	VOLVO	1739	32211114845	0192185	BMW	128
32126777753	0405563	BMW	172, 177, 182, 194	32211114846	0190267	BMW	158
32131092876	1211240	BMW	164	32211115545	0500265	BMW	158
32131096465	0901388	BMW	145, 148, 214	32211117211	0500275	BMW	184
32131096465	0901458	BMW	145	32211117212	0501302	BMW	184
32131096910	0901388	BMW	145, 148, 214	32211118619	0191302	BMW	184
32136751026 *	1211378	BMW	205	32211118838	0500265	BMW	158
32136751026	0901870	BMW	168, 191, 205	32211118883	0500275	BMW	184
32136751026	0904208	BMW	201	32211124231	0500273	BMW	159, 161, 186, 196
32136756757 *	1211376	MINI	856				

RIF. ORIG. O.E. NUMBER	RIF. OCAP OCAP REF.	MARCA MAKE	PAG.	RIF. ORIG. O.E. NUMBER	RIF. OCAP OCAP REF.	MARCA MAKE	PAG.
32211124232	0500269	BMW	159	322126	0280772	CHEVROLET - DAEWOO	223
32211124475	0500267	BMW	158	322126	0280772	GENERAL MOTORS	501
32211124906	0500269	BMW	159	322126	0280772	OPEL	1014, 1043
32211125186	0592039	BMW	139	322126	0280772	VAUXHALL	1541, 1551
32211126476	0500094	BMW	160, 163, 185, 187	32212775000	0501107	BMW	129
32211127136	0500269	BMW	159	32212775002	0501107	BMW	129
32211127272	0500269	BMW	159	322129	0500782	OPEL	1060
32211127917	0180273	BMW	159, 161, 186, 196	322129	0500782	VAUXHALL	1547
32211127918	0190273	BMW	159, 161, 186, 196	322130	0500785	OPEL	1060
32211128365	0500275	BMW	184	322130	0500785	VAUXHALL	1547
32211128368	0502858	BMW	184	322131	0501661	OPEL	1060
32211129014	0500269	BMW	159	322131	0501661	VAUXHALL	1547
32211129017	0500251	BMW	159	322136	0500111	OPEL	1053
32211129020	0500273	BMW	159, 161, 186, 196	322136	0500111	VAUXHALL	1548
32211130001	0190273	BMW	159, 161, 186, 196	322139	0500110	OPEL	1053
32211130004	0180273	BMW	159, 161, 186, 196	322139	0500110	VAUXHALL	1548
32211130661	0502865	BMW	161	322140	0500110	OPEL	1053
32211133615	0502865	BMW	161	322140	0500110	VAUXHALL	1548
32211133699	0300062	BMW	159, 161, 186, 196	322141	0501654	OPEL	1053
32211135666	0500273	BMW	159, 161, 186, 196	322141	0501654	VAUXHALL	1548
32211135819	0190273	BMW	159, 161, 186, 196	322142	0590112	OPEL	1053
32211135820	0180273	BMW	159, 161, 186, 196	322143	0580112	OPEL	1053
32211136450	0300062	BMW	159, 161, 186, 196	322145	0500111	OPEL	1053
32211136452	1215185	BMW	159, 161, 186, 196	322145	0500111	VAUXHALL	1548
32211136681	0502859	BMW	186	322146 *	0582544	OPEL	1015
32211136685	0502865	BMW	161	322146 *	0582544	SAAB	1298
32211138850	0502859	BMW	186	322146 *	0582544	VAUXHALL	1542
32211138851	0502860	BMW	186	322146	0280059	OPEL	1015
32211138852	0502867	BMW	161	322146	0280059	SAAB	1298
32211138853	0502868	BMW	161	322146	0280059	VAUXHALL	1542
32211138854	0502865	BMW	161	322147 *	0592544	OPEL	1015
32211138855	0502866	BMW	161	322147 *	0592544	SAAB	1298
32211139786	1211089	BMW	142, 212	322147 *	0592544	VAUXHALL	1542
32211141345	0291031	BMW	188	322147	0290059	OPEL	1015
32211141346	0281031	BMW	188	322147	0290059	SAAB	1298
32211701037	0292213	BMW	139	322147	0290059	VAUXHALL	1542
32211701038	0282213	BMW	139	322148	0500110	OPEL	1053
32211701039	0592213	BMW	139	322148	0500110	VAUXHALL	1548
32211701040	0582213	BMW	139	322149	0600751	OPEL	1026
322120	0600754	OPEL	1040	322149	0600751	VAUXHALL	1562
322120	0600754	VAUXHALL	1552	322150	0190064	OPEL	1053
322121	0600754	OPEL	1040	322151	0180064	OPEL	1053, 1055
322121	0600754	VAUXHALL	1552	322151	0180064	VAUXHALL	1548, 1563
322122	0290759	OPEL	1041-1042	322152	0180063	OPEL	1053
322122	0290759	VAUXHALL	1540	322154	0190063	OPEL	1053, 1055
32212229367	0295340	BMW	148	322154	0190063	VAUXHALL	1548, 1563
32212229368	0285340	BMW	148	322155	0600362	OPEL	1027, 1029
322123	0290759	OPEL	1041-1042	322155	0600362	VAUXHALL	1553, 1555
322124	0280763	OPEL	1042	322158	0600363	OPEL	1027, 1029
322124	0280763	VAUXHALL	1540	322158	0600363	VAUXHALL	1553, 1555
322125	0290772	CHEVROLET - DAEWOO	223	322160	0581418	OPEL	1055
322125	0290772	GENERAL MOTORS	501	322160	0581418	VAUXHALL	1563
322125	0290772	OPEL	1014, 1043	322166	0501416	OPEL	1055
322125	0290772	VAUXHALL	1541, 1551	322166	0501416	VAUXHALL	1563
				322167	0501417	OPEL	1055
				322167	0501417	VAUXHALL	1563
				32216751277 *	0601871	BMW	201, 205, 208
				32216751277	0501870	BMW	205
				32216754565	0291864	MINI	856
				32216754566	0281864	MINI	856
				32216756368	0503844	BMW	191
				32216756369	0283844	BMW	168, 179, 191
				32216760354	0282386	BMW	205
				32216760470	0502386	BMW	205
				32216762243	0594229	BMW	130, 150

RIF. ORIG. O.E. NUMBER	RIF. OCAP OCAP REF.	MARCA MAKE	PAG.	RIF. ORIG. O.E. NUMBER	RIF. OCAP OCAP REF.	MARCA MAKE	PAG.
32216762244	0584229	BMW	130, 150	324039	0290771	CHEVROLET - DAEWOO 223	
32216762403 *	0604217	BMW	168, 179	324039	0290771	GENERAL MOTORS 501	
32216762403	0504217	BMW	168, 179	324039	0290771	OPEL	1014, 1043
32216767860	0282388	BMW	168	324039	0290771	VAUXHALL	1541, 1551
32216767861	0502388	BMW	168	324040	0290762	OPEL	1042
32216773739	0284208	BMW	201, 208	324040	0290762	VAUXHALL	1540
32216773741 *	0601871	BMW	201, 205, 208	324041	0280762	OPEL	1042
32216773741	0504208	BMW	201, 208	324041	0280762	VAUXHALL	1540
32216777268	0503844	BMW	191	324042	0280750	OPEL	1026-1027, 1029
322168	0581418	OPEL	1055	324042	0280750	VAUXHALL	1553, 1555, 1562
322168	0581418	VAUXHALL	1563	324044	0190783	OPEL	1060
322169	0591418	OPEL	1055	324045	0180784	OPEL	1060
322169	0591418	VAUXHALL	1563	324046	0180064	OPEL	1053, 1055
322171	0180064	OPEL	1053, 1055	324046	0180064	VAUXHALL	1548, 1563
322171	0180064	VAUXHALL	1548, 1563	324046	0180064	VAUXHALL	1548, 1563
322172	0190063	OPEL	1053, 1055	324047	0190063	OPEL	1053, 1055
322172	0190063	VAUXHALL	1548, 1563	324047	0190063	VAUXHALL	1548, 1563
322173	0590112	OPEL	1053	324048	0190064	OPEL	1053
322173	0590112	VAUXHALL	1548	324049	0180063	OPEL	1053
322174	0580112	OPEL	1053	324050	0280750	OPEL	1026-1027, 1029
322174	0580112	VAUXHALL	1548	324050	0280750	VAUXHALL	1553, 1555, 1562
322175	0190064	OPEL	1053	324053	0290058	OPEL	1015
322175	0190064	VAUXHALL	1548	324053	0290058	SAAB	1298
322176	0180063	OPEL	1053	324053	0290058	VAUXHALL	1542
322176	0180063	VAUXHALL	1548	324054	0280058	OPEL	1015
322177	0190063	OPEL	1053, 1055	324054	0280058	SAAB	1298
322177	0190063	VAUXHALL	1548, 1563	324054	0280058	VAUXHALL	1542
322178	0180064	OPEL	1053, 1055	324054	0280058	VAUXHALL	1542
322178	0180064	VAUXHALL	1548, 1563	324055 *	0592544	OPEL	1015
322179	0181418	OPEL	1055	324055 *	0592544	SAAB	1298
322179	0181418	VAUXHALL	1563	324055 *	0592544	VAUXHALL	1542
322180	0191418	OPEL	1055	324055	0290058	OPEL	1015
322180	0191418	VAUXHALL	1563	324055	0290058	SAAB	1298
322502 *	0901601	OPEL	1012, 1039	324055	0290058	VAUXHALL	1542
322502	1211104	OPEL	1012, 1039	324056 *	0582544	OPEL	1015
322506 *	0901607	OPEL	1013, 1040	324056 *	0582544	SAAB	1298
322506 *	0901607	VAUXHALL	1550, 1552	324056 *	0582544	VAUXHALL	1542
322506	1211105	OPEL	1013, 1040	324056	0280058	OPEL	1015
322506	1211105	VAUXHALL	1550, 1552	324056	0280058	SAAB	1298
322575	0900760	CHEVROLET - DAEWOO 223		324056	0280058	VAUXHALL	1542
322575	0900760	GENERAL MOTORS 501		324058	0291422	OPEL	1034
322575	0900760	OPEL	1014, 1041- 1043	324058	0291422	VAUXHALL	1558
322575	0900760	VAUXHALL	1540-1541, 1551	324059	0181418	OPEL	1055
322577	0900060	OPEL	1015	324059	0181418	VAUXHALL	1563
32303418202	0284208	BMW	201, 208	324060	0191418	OPEL	1055
32303418204 *	0601871	BMW	201, 205, 208	324060	0191418	VAUXHALL	1563
32303418204	0504208	BMW	201, 208	324061	0190063	OPEL	1053, 1055
32345T	0400839	TALBOT	1443, 1445, 1448, 1451	324061	0190063	VAUXHALL	1548, 1563
32364W	0400840	TALBOT	1443, 1445, 1448	324062	0180064	OPEL	1053, 1055
324017	0190783	OPEL	1060	324062	0180064	VAUXHALL	1548, 1563
324017	0190783	VAUXHALL	1547	324063	0281693	OPEL	1061
3240198	1215011	FORD	427, 429, 432, 481	324063	0281693	VAUXHALL	1565
324036	0290758	OPEL	1041	324066	0281049	OPEL	1029
324036	0290758	VAUXHALL	1540	324066	0281049	VAUXHALL	1555
324037	0280758	OPEL	1041	324101	0184010	OPEL	1039
324037	0280758	VAUXHALL	1540	324101	0184010	VOLKSWAGEN	1698, 1709- 1710, 1714
324038	0280771	CHEVROLET - DAEWOO 223		324107	0180775	OPEL	1057-1058
324038	0280771	GENERAL MOTORS 501		324108	0184010	OPEL	1039
324038	0280771	OPEL	1014, 1043	324108	0184010	VOLKSWAGEN	1698, 1709- 1710, 1714
324038	0280771	VAUXHALL	1541, 1551	324112	0190777	OPEL	1059
				324114	0280787	OPEL	1025
				324115	0280753	OPEL	1013, 1040

RIF. ORIG. O.E. NUMBER	RIF. OCAP OCAP REF.	MARCA MAKE	PAG.	RIF. ORIG. O.E. NUMBER	RIF. OCAP OCAP REF.	MARCA MAKE	PAG.
324115	0280753	VAUXHALL	1550, 1552	33321095412	0781876	BMW	207
324116	0280753	OPEL	1013, 1040	33321095414	0301875	BMW	207
324116	0280753	VAUXHALL	1550, 1552	33321095631	0401877	BMW	170, 180, 190, 192, 207
324118	0180784	OPEL	1060	33321096797	0501519	BMW	165, 167, 170, 180, 192
324118	0180784	VAUXHALL	1547	33321097009	1215779	BMW	144, 147, 202
32413413476	0284208	BMW	201, 208	33321097264	0501034	BMW	165, 167, 189
324186	0601691	OPEL	1061	33321123463	0500094	BMW	160, 163, 185, 187
324186	0601691	VAUXHALL	1565	33321125665	0500094	BMW	160, 163, 185, 187
324251	0600768	OPEL	1013	33321126476	0500094	BMW	160, 163, 185, 187
324251	0600768	VAUXHALL	1550	33321137806	1215779	BMW	144, 147, 202
325407365	0492016	AUDI	109, 111	33321138380	0705340	BMW	144, 147, 149, 202, 217
325407365	0492016	VOLKSWAGEN	1634-1635	33321138383	1216039	BMW	144, 147, 149, 202, 217
325407366	0482016	AUDI	109, 111	33321138722	0400472	BMW	144
325407366	0482016	VOLKSWAGEN	1634-1635	33321490085	0705561	MINI	858, 860, 864
3265974	0280037	CITROEN	292	33323679820	0302363	BMW	180
3265974	0280037	FIAT	387-388, 398, 410	33324046917	0393237	BMW	209
3265974	0280037	LANCIA	674	33324046918	0383237	BMW	209
3265974	0280037	MASERATI	706	33324069283	0395162	BMW	173, 183, 195
3265974	0280037	PEUGEOT	1150	33324069284	0385162	BMW	173, 183, 195
3265974	0280037	VOLVO	1739	33324069467	0394608	BMW	195
3268631	0400860	VOLVO	1739	33324069468	0384608	BMW	195
3268829	0600859	VOLVO	1739	33324069469	0305563	BMW	178
3268834	1211150	VOLVO	1739	33326750831	0302363	BMW	180
3268835	1211149	VOLVO	1739	33326756249	0404243	BMW	134, 155, 157, 198
3293736	0602500	VOLVO	1739	33326758141	0393849	BMW	170, 180, 192
33171090089	1216221	BMW	190	33326758141	1215767	BMW	180
33171090099	1216222	BMW	190	33326758142	0383849	BMW	170, 180, 192
33171090100	1216221	BMW	190	33326759157	0391025	BMW	165, 167, 170
33171090389	1216222	BMW	190	33326759158	0381025	BMW	165, 167, 170
33171091685	1216222	BMW	190	33326760054	0705561	MINI	858, 860, 864
33176770763	1216223	BMW	192	33326760675	0705340	BMW	144, 147, 149, 202, 217
33176770764	1216224	BMW	192	33326763471	0704240	BMW	132, 153, 198
33303411651	0705340	BMW	144, 147, 149, 202, 217	33326763473	0704239	BMW	132, 153
33306772241	0393849	BMW	170, 180, 192	33326765425	0704238	BMW	132, 153, 198
33306772242	0383849	BMW	170, 180, 192	33326765425*	1215701	BMW	132, 153, 198
33306773941	0391025	BMW	165, 167, 170	33326765425**	1215702	BMW	132, 153, 198
33306773942	0381025	BMW	165, 167, 170	33326767748	0401877	BMW	170, 180, 190, 192, 207
33311093662	1215571	BMW	207	33326767753	0391025	BMW	165, 167, 170
33311126747	1215613	BMW	141	33326767754	0381025	BMW	165, 167, 170
33311128566	1215613	BMW	141	33326767759	0393849	BMW	170, 180, 192
33311128670	1215614	BMW	163, 187	33326767760	0383849	BMW	170, 180, 192
33311129144	1215613	BMW	141	33326767831	0391025	BMW	165, 167, 170
33311129760	1215614	BMW	163, 187	33326767832	0381025	BMW	165, 167, 170
33311130537	1215613	BMW	141	33326767967	0391025	BMW	165, 167, 170
33321090030	0702348	BMW	165, 167, 170, 180, 190, 192, 207	33326767968	0381025	BMW	165, 167, 170
33321090504	0401877	BMW	170, 180, 190, 192, 207	33326768724 *	1216149	MINI	858, 860, 864
33321090745	0501034	BMW	165, 167, 189	33326768724	0705561	MINI	858, 860, 864
33321090815	0391025	BMW	165, 167, 170	33326768726 *	1216149	MINI	858, 860, 864
33321090816	0381025	BMW	165, 167, 170	33326768726	0705561	MINI	858, 860, 864
33321090905	0792919	BMW	189	33326768770	0302363	BMW	180
33321090906	0782919	BMW	189	33326768789	0391025	BMW	165, 167, 170
33321091620	0702348	BMW	165, 167, 170, 180, 190, 192, 207	33326768790	0381025	BMW	165, 167, 170
33321092237	0705340	BMW	144, 147, 149, 202, 217	33326768791	0501034	BMW	165, 167, 189
33321092248	1216039	BMW	144, 147, 149, 202, 217	33326769020	0705561	MINI	858, 860, 864
33321094209	0391025	BMW	165, 167, 170	33326769023	0705561	MINI	858, 860, 864
33321094210	0381025	BMW	165, 167, 170	33326770742	0301875	BMW	207
33321095411	0791876	BMW	207				

RIF. ORIG. O.E. NUMBER	RIF. OCAP OCAP REF.	MARCA MAKE	PAG.	RIF. ORIG. O.E. NUMBER	RIF. OCAP OCAP REF.	MARCA MAKE	PAG.
33326770747	0791876	BMW	207	33326782168	0703273	BMW	198
33326770748	0781876	BMW	207	33326782237	0794238	BMW	132, 153, 198
33326770749	0702348	BMW	165, 167, 170, 180, 190, 192, 207	33326782238	0784238	BMW	132, 153, 198
33326770775	0393849	BMW	170, 180, 192	33326786978	0705556	BMW	204
33326770776	0383849	BMW	170, 180, 192	33326792525 *	1216082	BMW	134, 155, 157
33326770786	1215779	BMW	144, 147, 202	33326792525	0708085	BMW	134, 155, 157
33326770813	0705340	BMW	144, 147, 149, 202, 217	33326792533	0708086	BMW	134, 155, 157
33326770817	1216040	BMW	149	33326792539	0798088	BMW	134, 155, 157
33326770824	1216039	BMW	144, 147, 149, 202, 217	33326792540	0788088	BMW	134, 155, 157
33326770839	0391025	BMW	165, 167, 170	33326792543	0798087	BMW	134, 155, 157
33326770859	0791876	BMW	207	33326792544	0788087	BMW	134, 155, 157
33326770860	0781876	BMW	207	33326792551	1216081	BMW	134, 155, 157
33326770963	0393237	BMW	209	33326795047	0393237	BMW	209
33326770964	0383237	BMW	209	33326795048	0383237	BMW	209
33326770969	0393238	BMW	209	33326796001	0393238	BMW	209
33326770970	0383238	BMW	209	33326796002	0383238	BMW	209
33326774476	0703236	BMW	209	33326851563	0708536	BMW	136, 200
33326774793	0393849	BMW	170, 180, 192	33326851563	0708536	MINI	862
33326774794	0383849	BMW	170, 180, 192	33326851569	0708537	BMW	136, 200
33326774795	0501519	BMW	165, 167, 170, 180, 192	33326851569	0708537	MINI	862
33326774796	0301875	BMW	207	33326861114	0708531	BMW	175
33326774797	0302363	BMW	180	33326861115	0398529	BMW	175
33326774840	0381025	BMW	165, 167, 170	33326861116	0388529	BMW	175
33326774841	0391025	BMW	165, 167, 170	33326861125	0798530	BMW	175
33326774842	0381025	BMW	165, 167, 170	33326861126	0788530	BMW	175
33326775083	0392363	BMW	180, 192	33326870535	0398529	BMW	175
33326775084	0382363	BMW	180, 192	33326870536	0388529	BMW	175
33326775552	0404243	BMW	134, 155, 157, 198	33326870773	0708536	BMW	136, 200
33326775680	1216143	BMW	173, 178, 183, 195	33326870773	0708536	MINI	862
33326775683	0305164	BMW	173, 178, 183, 195	33332097009	1215779	BMW	144, 147, 202
33326775902 *	1216143	BMW	173, 178, 183, 195	333551095532	0501024	BMW	165, 167
33326775902	0305163	BMW	173, 183, 195	3342824	0600351	VOLVO	1740
33326777424	0501519	BMW	165, 167, 170, 180, 192	3342893	0902876	VOLVO	1740
33326777425	0391025	BMW	165, 167, 170	3343641	0992875	VOLVO	1740
33326777426	0381025	BMW	165, 167, 170	3343642	0982875	VOLVO	1740
33326777980	0704239	BMW	132, 153	3345796	0900481	VOLVO	1718
33326779387	0393237	BMW	209	3345796	0904478	VOLVO	1720
33326779388	0383237	BMW	209	3345797	0600481	MINI	869, 871
33326779847	0395564	BMW	178	3345797	0600481	VOLVO	1718
33326779848 *	1216143	BMW	173, 178, 183, 195	33503413197	0504216	BMW	202
33326779848	0385564	BMW	178	33503414297	0504216	BMW	202
33326779851 *	1216141	BMW	173, 178, 183, 195	33506768493	0502364	BMW	170, 180
33326779851 **	1216142	BMW	173, 178, 183, 195	33506772789	0502619	MINI	860
33326779851	0305563	BMW	178	33506781133	0502619	MINI	860
33326780438	0405596	BMW	173, 178, 183, 195	33506781537	0502364	BMW	170, 180
33326782131	0394608	BMW	195	33506781539	0503851	BMW	192
33326782132	0384608	BMW	195	33506781540	0504223	BMW	170, 180
33326782135	0395162	BMW	173, 183, 195	33506785607	0593274	BMW	134, 155, 157, 198
33326782136 *	1216141	BMW	173, 178, 183, 195	33506785608	0583274	BMW	134, 155, 157, 198
33326782136 **	1216142	BMW	173, 178, 183, 195	33506861482	0508532	BMW	175
33326782136	0385162	BMW	173, 183, 195	33506862865	0508511	BMW	136, 200
				33506862865	0508511	MINI	862, 865
				33509803515	0595572	MINI	864
				33509803516	0585572	MINI	864
				33536765584	1214170	BMW	132, 153
				33551091497	0501036	BMW	190
				33551092292	0501024	BMW	165, 167
				33551093663	1214151	BMW	165
				33551094619	0501391	BMW	147
				33551095696	0501036	BMW	190
				33551096735	0501878	BMW	207
				33551096893	1214161	BMW	207
				33551124375	0500377	BMW	141, 144, 160,

RIF. ORIG. O.E. NUMBER	RIF. OCAP OCAP REF.	MARCA MAKE	PAG.	RIF. ORIG. O.E. NUMBER	RIF. OCAP OCAP REF.	MARCA MAKE	PAG.
			185	350086	1214246	OPEL	1062
33551126932	0500377	BMW	141, 144, 160,	350104	1214111	OPEL	1032
			185	350109	1215400	OPEL	1026
33551131155	1214075	BMW	144, 163, 187	350112	1215369	OPEL	1042
33551135307	0502855	BMW	144, 163, 187	350113	1215370	OPEL	1042
33551138104	1214149	BMW	144, 147, 163,	350116	1214242	OPEL	1054
			215	350117	1214239	OPEL	1021
33551507999	0501869	MINI	858	350127	1215401	OPEL	1028
33551507999	0502619	MINI	860	350127	1215401	VAUXHALL	1554
33552282182	0503853	BMW	149, 215, 217	350130	1214098	OPEL	1019, 1032,
33552283743	0503853	BMW	149, 215, 217				1062
33556753770	0503851	BMW	192	350130	1214098	VAUXHALL	1566
33556754823	1214238	MINI	860	350138	1214108	OPEL	1019
33556756151	1214237	MINI	858, 860	350140	1214110	OPEL	1019
33556757460	0503850	BMW	192	350145	1214114	OPEL	1064
33556761000	0504223	BMW	170, 180	350147	1214244	OPEL	1056
33556761492	0502364	BMW	170, 180	350148	1214117	OPEL	1064
33556764428	0504244	BMW	132, 153	350153 *	0180470-K	OPEL	1016
33556771937	0503239	BMW	209	350153 *	0180471-K	OPEL	1016
33556777635	0505165	BMW	173, 183, 195	350159	1214117	OPEL	1064
33556790324	0505557	BMW	204	350160	1214114	OPEL	1064
33556857626	0503239	BMW	209	350161	1214245	OPEL	1021, 1032,
34001732 *	0901640	ROVER GROUP	1278				1044
34001732	1211158	ROVER GROUP	1278	350176	0503139	OPEL	1046
34004-6402P	0403531	NISSAN	934	350178 *	0180470-K	OPEL	1016
34005-6402P	0403531	NISSAN	934	350178 *	0180471-K	OPEL	1016
34006-6401P	0403532	NISSAN	934	350231	0595745	CHEVROLET - DAEWOO	235
3410364	0280350	VOLVO	1740	350231	0595745	OPEL	1048
3410369	0600462	VOLVO	1740	350232	0585745	CHEVROLET - DAEWOO	235
3410412	0600351	VOLVO	1740	350232	0585745	OPEL	1048
3410519	0400352	VOLVO	1741	350233	0502582	OPEL	1008
34140-AA010	0601928	SUBARU	1410, 1412	350260 *	0180471-K	OPEL	1016
34140-AA011	0601928	SUBARU	1410, 1412	350260	0180471	OPEL	1016
34140-AA012	0601928	SUBARU	1410, 1412	350261 *	0180470-K	OPEL	1016
34140-AA013	0601928	SUBARU	1410, 1412	350261	0180470	OPEL	1016
34140-AA030	0601928	SUBARU	1410, 1412	350263 *	0180043-K	OPEL	1016
34140-AA040	0601928	SUBARU	1410, 1412	350263	0180043	OPEL	1016
34140-FC000	0601930	SUBARU	1410, 1418	350376	0901088	OPEL	1026
34141-AA041	0281929	SUBARU	1410, 1412- 1413, 1418- 1419, 1422	350376	1249258	OPEL	1026
			1410, 1412- 1413, 1418- 1419, 1422	350378	1249257	OPEL	1017
34141-AA042	0281929	SUBARU	1410, 1412- 1413, 1418- 1419, 1422	350600	0501421	OPEL	1056
			1410, 1412- 1413, 1418- 1419, 1422	350600	0501421	VAUXHALL	1564
34160-AE000	0601929	SUBARU	1412, 1418- 1419, 1422	350602	0501665	OPEL	1060
			1412, 1418- 1419, 1422	350602	0501665	VAUXHALL	1547
34160-AE001	0601929	SUBARU	1412, 1418- 1419, 1422	350603	0503805	OPEL	1064
			1412, 1418- 1419, 1422	350603	0503805	SAAB	1300
34160-XA010	0603605	SUBARU	1413	350603	0503805	VAUXHALL	1568
3416129	0590353	VOLVO	1741	350604	0500114	OPEL	1054
3416130	0580353	VOLVO	1741	350605	0500114	OPEL	1054
34161-SA000	0281929	SUBARU	1410, 1412- 1413, 1418- 1419, 1422	350605	0500114	VAUXHALL	1549
			1410, 1412- 1413, 1418- 1419, 1422	350607	0593895	ISUZU	586
3434868	0503880	VOLVO	1741	350607	0593895	OPEL	1034-1035
3448334	0280350	VOLVO	1740	350607	0593895	VAUXHALL	1558-1559
34518K	0190834	TALBOT	1447	350608	0583895	ISUZU	586
3465482	0400352	VOLVO	1741	350608	0583895	OPEL	1034-1035
3467713	0590353	VOLVO	1741	350608	0583895	VAUXHALL	1558-1559
3467714	0580353	VOLVO	1741	350609	0501421	OPEL	1056
34782107	0280702	INNOCENTI	577	350609	0501421	VAUXHALL	1564
34782322 *	0901640	ROVER GROUP	1278	350610	0501690	OPEL	1032, 1044, 1062
34782322	1211159	ROVER GROUP	1278	350610	0501690	VAUXHALL	1557, 1560
3480012	0280350	VOLVO	1740	350611	0504068	OPEL	1019, 1021, 1069
350078	1215404	OPEL	1017				
350081	1215403	OPEL	1017	350613	0504360	OPEL	1021, 1069
				350613	0504360	VAUXHALL	1545

RIF. ORIG. O.E. NUMBER	RIF. OCAP OCAP REF.	MARCA MAKE	PAG.	RIF. ORIG. O.E. NUMBER	RIF. OCAP OCAP REF.	MARCA MAKE	PAG.
350614	0501744	OPEL	1019, 1021, 1069	352050	0391605	CITROEN	278, 300
350614	0501744	VAUXHALL	1543, 1545	352050	0391605	PEUGEOT	1096
350614	0505168	CHEVROLET - DAEWOO	221, 231	352050	0395169	OPEL	1037
350616	0501681	ALFA ROMEO	28	352050	0395169	SAAB	1303
350616	0501681	FIAT	383	352051	0391605	CITROEN	278, 300
350616	0501681	OPEL	1033	352051	0391605	PEUGEOT	1096
350616	0501681	VOLVO	1729, 1745	352051	0393804	FIAT	351
350617	0505168	OPEL	1023, 1038, 1070	352051	0393804	OPEL	1064
350617	0505168	SAAB	1303	352051	0393804	SAAB	1299
350618	0505167	OPEL	1023, 1038, 1070	352051	0393804	VAUXHALL	1568
350618	0505167	SAAB	1303	352052	0383804	FIAT	351
3516944	0280861	VOLVO	1736-1737, 1743	352052	0383804	OPEL	1064
3520.95	0391141	CITROEN	288	352052	0383804	SAAB	1299
3520.95	0391141	FIAT	359	352052	0383804	VAUXHALL	1568
3520.95	0391141	PEUGEOT	1072	352054	0390171	PEUGEOT	1096
3520.96	0391140	CITROEN	289	352057	0394015	PEUGEOT	1126
3520.96	0391140	FIAT	360	352060	0394015	PEUGEOT	1126
3520.96	0391140	PEUGEOT	1073	352061	0791885	OPEL	1032
3520.N3	0391446	CITROEN	288	352061	0791885	VAUXHALL	1557
3520.N3	0391446	FIAT	359	352063	0390173	PEUGEOT	1109, 1111, 1113
3520.N3	0391446	PEUGEOT	1072	352063	0781885	OPEL	1032
3520.N4	0391451	CITROEN	289	352063	0781885	VAUXHALL	1557
3520.N4	0391451	FIAT	360	352064	0390172	PEUGEOT	1126
3520.N4	0391451	PEUGEOT	1073	352065	0390174	PEUGEOT	1129, 1131
3520.X6	0394463	CITROEN	272	352068	0390174	PEUGEOT	1129, 1131
3520.X7	0394386	PEUGEOT	1135	352071	0385169	OPEL	1037
3520.Y0	0395741	PEUGEOT	1140	352071	0385169	SAAB	1303
352002 **	0780366	OPEL	1028	352072	0390308	PEUGEOT	1145
352002 **	0780366	VAUXHALL	1554	352073	0380308	PEUGEOT	1145
352002	0780365	OPEL	1028	352073	0395169	SAAB	1303
352002	0780365	VAUXHALL	1554	352076	0390406	CITROEN	280
352003 **	0790366	OPEL	1028	352076	0390406	FIAT	358
352003 **	0790366	VAUXHALL	1554	352076	0390406	PEUGEOT	1078
352003	0790365	OPEL	1028	352076	0780103	OPEL	1016
352003	0790365	VAUXHALL	1554	352076	0780103	VAUXHALL	1542
352028	0781428	OPEL	1056	352077	0390565	CITROEN	280
352028	0781428	VAUXHALL	1564	352077	0390565	FIAT	358
352029	0791428	OPEL	1056	352077	0390565	PEUGEOT	1078
352029	0791428	VAUXHALL	1564	352077	0790103	OPEL	1016
3520-34	0390605	PEUGEOT	1088	352077	0790103	VAUXHALL	1542
352034	0390605	PEUGEOT	1088	352078	0390313	CITROEN	243, 297
352037	0392851	PEUGEOT	1106-1107	352078	0390313	PEUGEOT	1090
352041	0390405	CITROEN	280	352079	0380313	CITROEN	243, 297
352041	0390405	FIAT	358	352079	0380313	PEUGEOT	1090
352041	0390405	PEUGEOT	1078	352080 *	0390211	CITROEN	244, 297
352041	0791885	OPEL	1032	352080 *	0390211	PEUGEOT	1091
352041	0791885	VAUXHALL	1557	352080	0385169	SAAB	1303
352042	0781885	OPEL	1032	352080	0394101	CITROEN	245, 298
352042	0781885	VAUXHALL	1557	352080	0394101	PEUGEOT	1091
352043 **	0791244	OPEL	1026	352081 *	0380211	CITROEN	244, 297
352043 **	0791244	VAUXHALL	1562	352081 *	0380211	PEUGEOT	1091
352043	0791242	OPEL	1026	352081	0384101	CITROEN	245, 298
352043	0791242	VAUXHALL	1562	352081	0384101	PEUGEOT	1091
352044 **	0781244	OPEL	1026	352083	0790144	PEUGEOT	1114, 1116
352044 **	0781244	VAUXHALL	1562	352084	0790143	PEUGEOT	1115-1116
352044	0781242	OPEL	1026	352086	0390398	CITROEN	304
352044	0781242	VAUXHALL	1562	352087 *	0402357	FIAT	368
352045	0791885	OPEL	1032	352087	0402357	ALFA ROMEO	28
352045	0791885	VAUXHALL	1557	352087	0402357	FIAT	383
352046	0781885	OPEL	1032	352087	0402357	OPEL	1008, 1033
352046	0781885	VAUXHALL	1557	352092 *	0390211	CITROEN	244, 297
				352092 *	0390211	PEUGEOT	1091
				352092	0394101	CITROEN	245, 298
				352092	0394101	PEUGEOT	1091

RIF. ORIG. O.E. NUMBER	RIF. OCAP OCAP REF.	MARCA MAKE	PAG.	RIF. ORIG. O.E. NUMBER	RIF. OCAP OCAP REF.	MARCA MAKE	PAG.
352093 *	0380211	CITROEN	244, 297	3520H7	0392339	PEUGEOT	1098
352093 *	0380211	PEUGEOT	1091	3520H8	0791827	CITROEN	250, 252, 310, 312
352093	0384101	CITROEN	245, 298	3520H9	0391500	CITROEN	251, 311
352093	0384101	PEUGEOT	1091	3520H9	0391500	PEUGEOT	1084
352094	0391184	CITROEN	292	3520J3	0391500	CITROEN	251, 311
352094	0391184	FIAT	387-388, 398	3520J3	0391500	PEUGEOT	1082, 1084
352094	0391184	LANCIA	674	3520K3	0391513	CITROEN	271
352094	0391184	PEUGEOT	1150	3520K4	0392325	PEUGEOT	1129, 1131
352095	0391141	CITROEN	288	3520K5	0390174	PEUGEOT	1129, 1131
352095	0391141	FIAT	359	3520K6	0390307	PEUGEOT	1144, 1147- 1148
352095	0391141	PEUGEOT	1072	3520K8	0391853	CITROEN	253, 262, 268
352096	0391140	CITROEN	289	3520K8	0391853	PEUGEOT	1085, 1120
352096	0391140	FIAT	360	3520L4	0791510	CITROEN	257
352096	0391140	PEUGEOT	1073	3520L7	0392338	PEUGEOT	1098
352098	0790144	PEUGEOT	1114, 1116	3520L8	0392340	PEUGEOT	1098
352099	0790143	PEUGEOT	1115-1116	3520L9	0791510	CITROEN	257
3520A2	0790073	CITROEN	248, 308, 314	3520N3	0391446	CITROEN	288
3520A2	0790073	PEUGEOT	1081	3520N3	0391446	FIAT	359
3520A3	0790072	CITROEN	247, 307, 314	3520N3	0391446	PEUGEOT	1072
3520A3	0790072	PEUGEOT	1080	3520N4	0391451	CITROEN	289
3520C0	0391552	PEUGEOT	1132	3520N4	0391451	FIAT	360
3520C1	0390398	CITROEN	304	3520N4	0391451	PEUGEOT	1073
3520C2	0390398	CITROEN	304	3520N6 *	1215724	CITROEN	272, 274
3520C3	0391184	CITROEN	292	3520N6 *	1215724	PEUGEOT	1134, 1142
3520C3	0391184	FIAT	387-388, 398	3520N6	0394350	CITROEN	272, 274
3520C3	0391184	LANCIA	674	3520N6	0394350	PEUGEOT	1134, 1142
3520C3	0391184	PEUGEOT	1150	3520P1	0792355	PEUGEOT	1086
3520C5	0391184	CITROEN	292	3520P2	0392339	PEUGEOT	1098
3520C5	0391184	FIAT	387-388, 398	3520P3	0391853	CITROEN	253, 262, 268
3520C5	0391184	LANCIA	674	3520P3	0391853	PEUGEOT	1085, 1120
3520C5	0391184	PEUGEOT	1150	3520P4	0391184	CITROEN	292
3520F1 *	0791459	PEUGEOT	1117	3520P4	0391184	FIAT	387-388, 398
3520F1	0790144	PEUGEOT	1114, 1116	3520P4	0391184	LANCIA	674
3520F3 *	0791460	PEUGEOT	1117	3520P4	0391184	PEUGEOT	1150
3520F3	0790143	PEUGEOT	1115-1116	3520P6 *	1215647	CITROEN	276, 293
3520F5	0790073	CITROEN	248, 308, 314	3520P6 *	1215647	FIAT	389, 399
3520F5	0790073	PEUGEOT	1081	3520P6 *	1215647	LANCIA	666
3520F6	0790072	CITROEN	247, 307, 314	3520P6 *	1215647	PEUGEOT	1076, 1151
3520F6	0790072	PEUGEOT	1080	3520P6	0393817	CITROEN	276
3520F7	0790073	CITROEN	248, 308, 314	3520P6	0393817	PEUGEOT	1151
3520F7	0790073	PEUGEOT	1081	3520Q0	0791510	CITROEN	257
3520F8	0790072	CITROEN	247, 307, 314	3520Q1	0392593	CITROEN	274
3520F8	0790072	PEUGEOT	1080	3520Q1	0392593	PEUGEOT	1135
3520G3	0790073	CITROEN	248, 308, 314	3520Q2	0792354	CITROEN	255
3520G3	0790073	PEUGEOT	1081	3520Q2	0792354	PEUGEOT	1092
3520G4	0790072	CITROEN	247, 307, 314	3520Q2	0792354	TOYOTA	1462
3520G4	0790072	PEUGEOT	1080	3520Q3	0391500	CITROEN	251, 311
3520G5	0790073	CITROEN	248, 308, 314	3520Q3	0391500	PEUGEOT	1082, 1084
3520G5	0790073	PEUGEOT	1081	3520Q4	0391500	CITROEN	251, 311
3520G8	0390487	PEUGEOT	1097	3520Q4	0391500	PEUGEOT	1084
3520G9	0391184	CITROEN	292	3520Q9	0792432	PEUGEOT	1100, 1103
3520G9	0391184	FIAT	387-388, 398	3520R0	0791510	CITROEN	257
3520G9	0391184	LANCIA	674	3520R2	0791510	CITROEN	257
3520G9	0391184	PEUGEOT	1150	3520R5	0791510	CITROEN	257
3520H1	0391552	PEUGEOT	1132	3520R6	0792355	PEUGEOT	1086
3520H3	0791827	CITROEN	250, 252, 310, 312	3520R7	0792432	CITROEN	259, 261
3520H3	0791827	PEUGEOT	1082, 1084, 1117	3520R7	0792432	PEUGEOT	1100, 1103
3520H5	0791827	CITROEN	250, 252, 310, 312	3520R8 *	1215647	CITROEN	276, 293
3520H5	0791827	PEUGEOT	1082, 1084, 1117	3520R8 *	1215647	FIAT	389, 399
3520H6	0791827	CITROEN	250, 252, 310, 312	3520R8 *	1215647	LANCIA	666
				3520R8 *	1215647	PEUGEOT	1076, 1151
				3520R8 *	1215870	CITROEN	276, 293
				3520R8 *	1215870	FIAT	389, 399

RIF. ORIG. O.E. NUMBER	RIF. OCAP OCAP REF.	MARCA MAKE	PAG.	RIF. ORIG. O.E. NUMBER	RIF. OCAP OCAP REF.	MARCA MAKE	PAG.
3520R8 *	1215870	PEUGEOT	1076, 1151	3521.66	0381140	PEUGEOT	1073
3520R8	0392734	CITROEN	293	3521.J3	0381446	CITROEN	288
3520R8	0392734	PEUGEOT	1076	3521.J3	0381446	FIAT	359
3520S0	1215823	CITROEN	290-291	3521.J3	0381446	PEUGEOT	1072
3520S0	1215823	FIAT	361-362	3521.J4	0381451	CITROEN	289
3520S0	1215823	PEUGEOT	1074-1075	3521.J4	0381451	FIAT	360
3520S1	1215823	CITROEN	290-291	3521.J4	0381451	PEUGEOT	1073
3520S1	1215823	FIAT	361-362	3521.T7	0384463	CITROEN	272
3520S1	1215823	PEUGEOT	1074-1075	3521.T8	0384386	PEUGEOT	1135
3520S2	0391853	CITROEN	253, 262, 268	3521.V1	0385741	PEUGEOT	1140
3520S2	0391853	PEUGEOT	1085, 1120	352108	1216011	CHEVROLET - DAEWOO	221
3520S8 *	1215811	CITROEN	274	352108	1216011	OPEL	1023, 1070
3520S8 *	1215811	PEUGEOT	1135	352110	0395167	CHEVROLET - DAEWOO	221
3520S8	0392593	CITROEN	274	352110	0395167	OPEL	1023
3520S8	0392593	PEUGEOT	1135	352115	0385167	CHEVROLET - DAEWOO	221
3520V0 *	0408077	CITROEN	265, 285	352115	0385167	OPEL	1023
3520V0 *	0408077	MITSUBISHI	866, 888, 902-903	352123 **	0791243	CHEVROLET - DAEWOO	223
3520V0 *	0408077	PEUGEOT	1153-1154	352123 **	0791243	OPEL	1043
3520V0 *	1216071	MITSUBISHI	902	3521-23	0380605	PEUGEOT	1088
3520V0 *	1216071	PEUGEOT	1153	352123	0380605	PEUGEOT	1088
3520V0	0798077	CITROEN	265, 285	352123	0791245	CHEVROLET - DAEWOO	223
3520V0	0798077	MITSUBISHI	866, 888, 902-903	352123	0791245	OPEL	1043
3520V0	0798077	PEUGEOT	1153-1154	352123	0791245	VAUXHALL	1541
3520V2	0393149	CITROEN	264	352124 **	0781243	CHEVROLET - DAEWOO	223
3520V2	0393149	PEUGEOT	1121	352124 **	0781243	OPEL	1043
3520V3	0391500	CITROEN	251, 311	352124	0781245	CHEVROLET - DAEWOO	223
3520V3	0391500	PEUGEOT	1082, 1084	352124	0781245	OPEL	1043
3520V7	0392340	PEUGEOT	1098	352124	0781245	VAUXHALL	1541
3520W1 *	1215724	CITROEN	272, 274	352126	0382851	PEUGEOT	1106-1107
3520W1 *	1215724	PEUGEOT	1134, 1142	352127	0781245	CHEVROLET - DAEWOO	223
3520W3	0792357	ALFA ROMEO	28	352127	0781245	OPEL	1043
3520W3	0792357	CITROEN	295	352127	0781245	VAUXHALL	1541
3520W3	0792357	FIAT	368, 383	352128	0380405	CITROEN	280
3520W3	0792357	PEUGEOT	1071	352128	0380405	FIAT	358
3520W7 *	1216019	CITROEN	258, 260, 267	352128	0380405	PEUGEOT	1078
3520W7 *	1216019	PEUGEOT	1104	352128	0791245	CHEVROLET - DAEWOO	223
3520W7	0794600	CITROEN	258, 260, 267	352128	0791245	OPEL	1043
3520W7	0794600	PEUGEOT	1104	352128	0791245	VAUXHALL	1541
3520W8	0794600	CITROEN	258, 260, 267	352133	0381605	CITROEN	278, 300
3520W8	0794600	PEUGEOT	1104	352133	0381605	PEUGEOT	1096
3520X1	0794600	CITROEN	258, 260, 267	352134	0381605	CITROEN	278, 300
3520X1	0794600	PEUGEOT	1104	352134	0381605	PEUGEOT	1096
3520X6 *	1216206	CITROEN	272	352135	0790113	OPEL	1054
3520X6	0394463	CITROEN	272	352135	0790113	VAUXHALL	1549
3520X7 *	1216205	PEUGEOT	1135	352136	0780113	OPEL	1054
3520X7	0394386	PEUGEOT	1135	352136	0780113	VAUXHALL	1549
3520X9	0798077	CITROEN	265, 285	352137	0380171	PEUGEOT	1096
3520X9	0798077	MITSUBISHI	866, 888, 902-903	352138	0384015	PEUGEOT	1126
3520X9	0798077	PEUGEOT	1153-1154	352141	0384015	PEUGEOT	1126
3520Y0 *	1216207	PEUGEOT	1140	352143	0790103	OPEL	1016
3520Y0	0395741	PEUGEOT	1140	352143	0790103	VAUXHALL	1542
3520Y1	0794600	CITROEN	258, 260, 267	352144	0380173	PEUGEOT	1109, 1111, 1113
3520Y1	0794600	PEUGEOT	1104	352144	0780103	OPEL	1016
3520Y4	0792357	ALFA ROMEO	28	352144	0780103	VAUXHALL	1542
3520Y4	0792357	CITROEN	295	352145	0380172	PEUGEOT	1126
3520Y4	0792357	FIAT	368, 383	352146	0380174	PEUGEOT	1129, 1131
3520Y4	0792357	PEUGEOT	1071	352149	0380174	PEUGEOT	1129, 1131
3521.65	0381141	CITROEN	288	352152	0380406	CITROEN	280
3521.65	0381141	FIAT	359	352152	0380406	FIAT	358
3521.65	0381141	PEUGEOT	1072	352152	0380406	PEUGEOT	1078
3521.66	0381140	CITROEN	289	352153	0380565	CITROEN	280
3521.66	0381140	FIAT	360	352153	0380565	FIAT	358
				352153	0380565	PEUGEOT	1078
				352155	0780144	PEUGEOT	1114, 1116

RIF. ORIG. O.E. NUMBER	RIF. OCAP OCAP REF.	MARCA MAKE	PAG.	RIF. ORIG. O.E. NUMBER	RIF. OCAP OCAP REF.	MARCA MAKE	PAG.
352156	0780143	PEUGEOT	1115-1116	3521C8	0380487	PEUGEOT	1097
352158	0380398	CITROEN	304	3521C9	0381184	CITROEN	292
352164	0381184	CITROEN	292	3521C9	0381184	FIAT	387-388, 398
352164	0381184	FIAT	387-388, 398	3521C9	0381184	LANCIA	674
352164	0381184	LANCIA	674	3521C9	0381184	PEUGEOT	1150
352164	0381184	PEUGEOT	1150	3521E1	0381552	PEUGEOT	1132
352165	0381141	CITROEN	288	3521E3	0781827	CITROEN	250, 252, 310, 312
352165	0381141	FIAT	359	3521E3	0781827	PEUGEOT	1082, 1084, 1117
352165	0381141	PEUGEOT	1072	3521E5	0781827	CITROEN	250, 252, 310, 312
352166	0381140	CITROEN	289	3521E5	0781827	PEUGEOT	1082, 1084, 1117
352166	0381140	FIAT	360	3521E6	0781827	CITROEN	250, 252, 310, 312
352166	0381140	PEUGEOT	1073	3521E7	0382339	PEUGEOT	1098
352168	0780144	PEUGEOT	1114, 1116	3521E8	0781827	CITROEN	250, 252, 310, 312
352169	0780143	PEUGEOT	1115-1116	3521E9	0381500	CITROEN	251, 311
352169	0791245	CHEVROLET - DAEWOO 223		3521E9	0381500	PEUGEOT	1084
352169	0791245	OPEL	1043	3521F3	0381500	CITROEN	251, 311
352169	0791245	VAUXHALL	1541	3521F3	0381500	PEUGEOT	1082, 1084
352172	0781245	CHEVROLET - DAEWOO 223		3521G3	0381513	CITROEN	271
352172	0781245	OPEL	1043	3521G4	0382325	PEUGEOT	1129, 1131
352172	0781245	VAUXHALL	1541	3521G6	0380307	PEUGEOT	1144, 1147- 1148
352176	0380174	PEUGEOT	1129, 1131	3521G8	0381853	CITROEN	253, 262, 268
352180	0381552	PEUGEOT	1132	3521G8	0381853	PEUGEOT	1085, 1120
352181	0380398	CITROEN	304	3521H0	0393817	CITROEN	276
352181	0790365	OPEL	1028	3521H0	0393817	PEUGEOT	1151
352181	0790365	VAUXHALL	1554	3521H0	1215173	CITROEN	276, 292
352182	0380398	CITROEN	304	3521H0	1215173	FIAT	387-388, 398- 399
352182	0780365	OPEL	1028	3521H0	1215173	LANCIA	666, 674
352182	0780365	VAUXHALL	1554	3521H0	1215173	PEUGEOT	1150-1151
352183	0381184	CITROEN	292	3521H1	0383817	CITROEN	276
352183	0381184	FIAT	387-388, 398	3521H1	0383817	PEUGEOT	1151
352183	0381184	LANCIA	674	3521H1	1215173	CITROEN	276, 292
352183	0381184	PEUGEOT	1150	3521H1	1215173	FIAT	387-388, 398- 399
352185	0381184	CITROEN	292	3521H1	1215173	LANCIA	666, 674
352185	0381184	FIAT	387-388, 398	3521H1	1215173	PEUGEOT	1150-1151
352185	0381184	LANCIA	674	3521H6	0781510	CITROEN	257
352185	0381184	PEUGEOT	1150	3521H9	0382338	PEUGEOT	1098
352192	0780103	OPEL	1016	3521J0	0382340	PEUGEOT	1098
352192	0780103	VAUXHALL	1542	3521J1	0781510	CITROEN	257
352193	0790103	OPEL	1016	3521J3	0381446	CITROEN	288
352193	0790103	VAUXHALL	1542	3521J3	0381446	FIAT	359
352196	0781428	OPEL	1056	3521J3	0381446	PEUGEOT	1072
352196	0781428	VAUXHALL	1564	3521J4	0381451	CITROEN	289
352197	0791428	OPEL	1056	3521J4	0381451	FIAT	360
352197	0791428	VAUXHALL	1564	3521J4	0381451	PEUGEOT	1073
352199	0780144	PEUGEOT	1114, 1116	3521J6 *	1215724	CITROEN	272, 274
3521A1 *	0781459	PEUGEOT	1117	3521J6 *	1215724	PEUGEOT	1134, 1142
3521A1	0780144	PEUGEOT	1114, 1116	3521J6	0384350	CITROEN	272, 274
3521A3 *	0781460	PEUGEOT	1117	3521J6	0384350	PEUGEOT	1134, 1142
3521A3	0780143	PEUGEOT	1115-1116	3521K1	0782355	PEUGEOT	1086
3521A5	0780073	CITROEN	248, 308, 314	3521K2	0382339	PEUGEOT	1098
3521A5	0780073	PEUGEOT	1081	3521K3	0381853	CITROEN	253, 262, 268
3521A6	0780072	CITROEN	247, 307, 314	3521K3	0381853	PEUGEOT	1085, 1120
3521A6	0780072	PEUGEOT	1080	3521K6 *	1215646	CITROEN	276, 293
3521A7	0780073	CITROEN	248, 308, 314	3521K6 *	1215646	FIAT	389, 399
3521A7	0780073	PEUGEOT	1081	3521K6 *	1215646	LANCIA	666
3521A8	0780072	CITROEN	247, 307, 314	3521K6 *	1215646	PEUGEOT	1076, 1151
3521A8	0780072	PEUGEOT	1080	3521K6	0383817	CITROEN	276
3521C3	0780073	CITROEN	248, 308, 314				
3521C3	0780073	PEUGEOT	1081				
3521C4	0780072	CITROEN	247, 307, 314				
3521C4	0780072	PEUGEOT	1080				
3521C5	0780073	CITROEN	248, 308, 314				
3521C5	0780073	PEUGEOT	1081				
3521C6	0780072	CITROEN	247, 307, 314				
3521C6	0780072	PEUGEOT	1080				

RIF. ORIG. O.E. NUMBER	RIF. OCAP OCAP REF.	MARCA MAKE	PAG.	RIF. ORIG. O.E. NUMBER	RIF. OCAP OCAP REF.	MARCA MAKE	PAG.
3521K6	0383817	PEUGEOT	1151	3521T0	0784600	CITROEN	258, 260, 267
3521L1	0781510	CITROEN	257	3521T0	0784600	PEUGEOT	1104
3521L2	0382593	CITROEN	274	3521T3	0784600	CITROEN	258, 260, 267
3521L2	0382593	PEUGEOT	1135	3521T3	0784600	PEUGEOT	1104
3521L3 *	0402354	CITROEN	255-256	3521T7 *	1216206	CITROEN	272
3521L3 *	0402354	PEUGEOT	1092-1093	3521T7	0384463	CITROEN	272
3521L3 *	0402354	TOYOTA	1462-1463, 1534, 1537	3521T8 *	1216205	PEUGEOT	1135
3521L3 **	1215762	PEUGEOT	1092	3521T8	0384386	PEUGEOT	1135
3521L3 **	1215763	PEUGEOT	1092	3521V0 *	0408077	CITROEN	265, 285
3521L3	0782354	CITROEN	255	3521V0 *	0408077	MITSUBISHI	866, 888, 902- 903
3521L3	0782354	PEUGEOT	1092	3521V0 *	0408077	PEUGEOT	1153-1154
3521L3	0782354	TOYOTA	1462	3521V0 *	1216071	MITSUBISHI	902
3521L4	0381500	CITROEN	251, 311	3521V0 *	1216071	PEUGEOT	1153
3521L4	0381500	PEUGEOT	1082, 1084	3521V0	0788077	CITROEN	265, 285
3521N0	0782432	CITROEN	259, 261	3521V0	0788077	MITSUBISHI	866, 888, 902- 903
3521N1	0781510	CITROEN	257	3521V0	0788077	PEUGEOT	1153-1154
3521N10	0782432	PEUGEOT	1100, 1103	3521V1 *	1216207	PEUGEOT	1140
3521N3	0781510	CITROEN	257	3521V1	0385741	PEUGEOT	1140
3521N6	0781510	CITROEN	257	3521V2	0784600	CITROEN	258, 260, 267
3521N7	0782355	PEUGEOT	1086	3521V2	0784600	PEUGEOT	1104
3521N8	0782432	CITROEN	259, 261	3521V5	0782357	ALFA ROMEO	28
3521N8	0782432	PEUGEOT	1100, 1103	3521V5	0782357	CITROEN	295
3521N9 *	1215646	CITROEN	276, 293	3521V5	0782357	FIAT	365, 368, 383
3521N9 *	1215646	FIAT	389, 399	3521V5	0782357	PEUGEOT	1071
3521N9 *	1215646	LANCIA	666	352243 *	0900487	PEUGEOT	1099
3521N9 *	1215646	PEUGEOT	1076, 1151	352243 *	0902442	PEUGEOT	1100
3521N9 *	1215870	CITROEN	276, 293	352275 *	0902442	PEUGEOT	1100
3521N9 *	1215870	FIAT	389, 399	352276 *	0902442	PEUGEOT	1100
3521N9 *	1215870	PEUGEOT	1076, 1151	352277 *	0902442	PEUGEOT	1100
3521N9	0382734	CITROEN	293	3523.14	1215010	PEUGEOT	1087-1088
3521N9	0382734	PEUGEOT	1076	3523.20	1215009	PEUGEOT	1087-1088, 1096
3521P1	1215823	CITROEN	290-291	3523.24	1215045	PEUGEOT	1109, 1111, 1113
3521P1	1215823	FIAT	361-362	3523.35	1215777	PEUGEOT	1126
3521P1	1215823	PEUGEOT	1074-1075	3523.58	1215777	PEUGEOT	1126
3521P3	0381853	CITROEN	253, 262, 268	352300	1215128	OPEL	1016
3521P3	0381853	PEUGEOT	1085, 1120	352300	1215128	VAUXHALL	1542
3521P9 *	1215811	CITROEN	274	352301	1215125	OPEL	1028, 1030
3521P9 *	1215811	PEUGEOT	1135	352301	1215125	VAUXHALL	1554, 1556
3521P9	0382593	CITROEN	274	352302	1215522	OPEL	1056
3521P9	0382593	PEUGEOT	1135	352302	1215522	VAUXHALL	1564
3521R1	0788077	CITROEN	265, 285	352303	1215523	OPEL	1056
3521R1	0788077	MITSUBISHI	866, 888, 902- 903	352303	1215523	VAUXHALL	1564
3521R1	0788077	PEUGEOT	1153-1154	352309 *	1215577	OPEL	1032
3521R3	0383149	CITROEN	264	352309 *	1215577	VAUXHALL	1557
3521R3	0383149	PEUGEOT	1121	352309	0901885	OPEL	1032, 1044
3521R4	0381500	CITROEN	251, 311	352309	0901885	VAUXHALL	1557, 1560
3521R4	0381500	PEUGEOT	1082, 1084	352314	1215010	CITROEN	278, 294, 299- 300
3521R9	0382340	PEUGEOT	1098	352314	1215010	PEUGEOT	1087-1088
3521S4	1215724	CITROEN	272, 274	352314	1215010	TALBOT	1446
3521S4	1215724	PEUGEOT	1134, 1142	352317	1215007	PEUGEOT	1106-1107
3521S6 *	0402357	ALFA ROMEO	28	352319	1215638	FIAT	351
3521S6 *	0402357	CITROEN	295	352319	1215638	OPEL	1064
3521S6 *	0402357	FIAT	368, 383	352319	1215638	SAAB	1299
3521S6 *	0402357	OPEL	1008, 1033	352319	1215638	VAUXHALL	1568
3521S6 *	0402357	PEUGEOT	1071	352320	1215009	CITROEN	278, 294, 299- 300
3521S6	0782357	ALFA ROMEO	28	3523-20	1215009	PEUGEOT	1087-1088, 1096
3521S6	0782357	CITROEN	295	352320	1215009	PEUGEOT	1087-1088, 1096
3521S6	0782357	FIAT	365, 368, 383	352320	1215009	TALBOT	1446
3521S6	0782357	PEUGEOT	1071				
3521S9 *	1216018	CITROEN	258, 260, 267				
3521S9 *	1216018	PEUGEOT	1104				
3521S9	0784600	CITROEN	258, 260, 267				
3521S9	0784600	PEUGEOT	1104				

RIF. ORIG. O.E. NUMBER	RIF. OCAP OCAP REF.	MARCA MAKE	PAG.	RIF. ORIG. O.E. NUMBER	RIF. OCAP OCAP REF.	MARCA MAKE	PAG.
352320	1215578	OPEL	1032, 1044				307-310, 312, 314
352320	1215578	VAUXHALL	1557, 1560				
3523-23	1215042	CITROEN	302	352359	1215144	PEUGEOT	1080-1081, 1083-1084, 1114-1117
352323	1215042	CITROEN	302				
352323	1215042	PEUGEOT	1096, 1109, 1111, 1113, 1126	352360	1215226	PEUGEOT	1132
				352361	1215227	PEUGEOT	1132
352324	1215045	PEUGEOT	1109, 1111, 1113	352364	1215319	FIAT	351
				352364	1215319	OPEL	1018, 1021, 1046, 1062, 1064, 1069
352324	1215722	OPEL	1021, 1046, 1069				
				352364	1215319	SAAB	1299, 1301- 1302
352324	1215722	VAUXHALL	1545				
352325	1215012	CITROEN	278, 300	352364	1215319	VAUXHALL	1543, 1545, 1566, 1568
352325	1215012	PEUGEOT	1096				
352326	1215008	PEUGEOT	1106-1107	352365	1215320	OPEL	1018, 1062
352327	1215012	CITROEN	278, 300	352365	1215320	VAUXHALL	1543, 1566
352327	1215012	PEUGEOT	1096	352366	0901885	VAUXHALL	1557
352327	1215496	OPEL	1026	352375	1215144	CITROEN	247-250, 252, 307-310, 312, 314
352327	1215496	VAUXHALL	1562				
352330	1215126	CHEVROLET - DAEWOO	223	352375	1215144	PEUGEOT	1080-1081, 1083-1084, 1114-1117
352330	1215126	OPEL	1043				
352330	1215126	VAUXHALL	1541	352376 *	0180470-K	OPEL	1016
3523-31	1215014	CITROEN	302	352376 *	0180471-K	OPEL	1016
352331	1215014	CITROEN	302	352376	1215332	PEUGEOT	1097
352331	1215014	PEUGEOT	1096, 1126	352377	1215333	CITROEN	253, 262, 264, 268
352334	1215126	CHEVROLET - DAEWOO	223				
352334	1215126	OPEL	1043	352377	1215333	PEUGEOT	1085, 1097- 1098, 1120- 1121
352334	1215126	VAUXHALL	1541				
352335	1215127	CHEVROLET - DAEWOO	223	352380	1215560	ALFA ROMEO	28
352335	1215127	OPEL	1043	352380	1215560	CITROEN	295
352335	1215127	VAUXHALL	1541	352380	1215560	FIAT	356, 365, 368, 383, 392, 416
352335	1215777	PEUGEOT	1126				
352338	1215127	CHEVROLET - DAEWOO	223	352380	1215560	OPEL	1008, 1033
352338	1215127	OPEL	1043	352380	1215560	PEUGEOT	1071
352338	1215127	VAUXHALL	1541	352380	1215761	PEUGEOT	1098
352340	1215044	PEUGEOT	1129, 1131	352381	1215326	CITROEN	304
352341	1215240	OPEL	1054	352382	1215325	CITROEN	304
352341	1215240	VAUXHALL	1549	352383	1215616	CITROEN	251, 311
352342	1215046	PEUGEOT	1129, 1131	352383	1215616	PEUGEOT	1082, 1084
352343	1215158	PEUGEOT	1144-1145, 1147-1148	352384	1215621	CITROEN	271
				352387	1215621	CITROEN	271
352345	1215159	PEUGEOT	1144-1145, 1147-1148	352389	1215046	PEUGEOT	1129, 1131
				352391	1215559	CITROEN	253, 262, 264, 268
352348	1215129	OPEL	1016	352391	1215559	PEUGEOT	1085, 1120- 1121
352348	1215129	VAUXHALL	1542				
352349	1215012	CITROEN	278, 300	352392	1215333	CITROEN	253, 262, 264, 268
352349	1215012	PEUGEOT	1096				
352350	1215275	CITROEN	242-243, 297	352392	1215333	PEUGEOT	1085, 1097- 1098, 1120- 1121
352350	1215275	PEUGEOT	1090				
352351	1215058	CITROEN	243, 297	352393	1215176	CITROEN	288-289
352351	1215058	PEUGEOT	1090	352393	1215176	PEUGEOT	1072-1073
352352	1215210	CITROEN	244-245, 297- 298	352394	1215177	CITROEN	288-289
				352394	1215177	PEUGEOT	1072-1073
352352	1215210	PEUGEOT	1091	352395	1215620	CITROEN	271
352353	1215112	CITROEN	244-245, 297- 298	352396	1215159	PEUGEOT	1144-1145, 1147-1148
352353	1215112	PEUGEOT	1091	352398	1215618	CITROEN	257
352354	1215046	PEUGEOT	1129, 1131	352398	1215618	PEUGEOT	1086
352355	1215192	OPEL	1054	3523AA	1215619	CITROEN	257
352355	1215192	VAUXHALL	1549	3523AA	1215619	PEUGEOT	1086
352356	1215129	OPEL	1016	3523AG	1215753	PEUGEOT	1098
352356	1215129	VAUXHALL	1542				
352358	1215320	OPEL	1018, 1062				
352358	1215320	VAUXHALL	1543, 1566				
352358	1215777	PEUGEOT	1126				
352359	1215144	CITROEN	247-250, 252,				

RIF. ORIG. O.E. NUMBER	RIF. OCAP OCAP REF.	MARCA MAKE	PAG.	RIF. ORIG. O.E. NUMBER	RIF. OCAP OCAP REF.	MARCA MAKE	PAG.
3523AP	1215177	CITROEN	288–289	352813	0400771	OPEL	1058
3523AP	1215177	PEUGEOT	1072–1073	352815	0400779	OPEL	1059
3523AQ	1215723	CITROEN	272, 274	352817	0400756	OPEL	1040
3523AQ	1215723	PEUGEOT	1134–1135, 1140, 1142	352817	0400756	VAUXHALL	1552
3523AS	1215760	PEUGEOT	1098	352819	0401403	OPEL	1013
3523CC	1215798	CITROEN	259, 261	352819	0401403	VAUXHALL	1550
3523CC	1215798	PEUGEOT	1100, 1103	352820	0400780	OPEL	1059
3523CE	1215797	CITROEN	259, 261	352821	0400784	OPEL	1060
3523CE	1215797	PEUGEOT	1100, 1103	352821	0400784	VAUXHALL	1547
3523CS	1216072	CITROEN	265, 285	352822	0400784	OPEL	1060
3523CS	1216072	MITSUBISHI	866, 888, 902– 903	352822	0400784	VAUXHALL	1547
3523CS	1216072	PEUGEOT	1153–1154	352823	0400784	OPEL	1060
3523EC	1215797	CITROEN	259, 261	352826	0490113	OPEL	1054
3523EC	1215797	PEUGEOT	1100, 1103	352826	0490113	VAUXHALL	1549
3523EE	1215797	CITROEN	259, 261	352827	0480113	OPEL	1054
3523EE	1215797	PEUGEOT	1100, 1103	352827	0480113	VAUXHALL	1549
352457	1215523	OPEL	1056	352828 *	0401424-K	OPEL	1034–1035
352457	1215523	VAUXHALL	1564	352828 *	0401424-K	VAUXHALL	1559
352458	1215522	OPEL	1056	352828	0401424	ISUZU	580–581, 586
352458	1215522	VAUXHALL	1564	352828	0401424	OPEL	1034–1035
352492	0395167	CHEVROLET - DAEWOO 221		352828	0401424	VAUXHALL	1558–1559
352492	0395167	OPEL	1023	352829	0401420	OPEL	1018, 1021, 1046, 1056, 1062, 1069
352493	0385167	CHEVROLET - DAEWOO 221		352829	0401420	SAAB	1301
352493	0385167	OPEL	1023	352829	0401420	VAUXHALL	1543, 1545, 1564, 1566
352494	1216011	CHEVROLET - DAEWOO 221		352864	1215813	OPEL	1008, 1033
352494	1216011	OPEL	1023, 1070	352866	1216010	CHEVROLET - DAEWOO 221	
352509	0398098	OPEL	1070	352866	1216010	OPEL	1023, 1037, 1070
352510	0388098	OPEL	1070	352866	1216010	SAAB	1303
352519	1216013	OPEL	1037	352868	1216013	OPEL	1037
352522	0788683	OPEL	1048	352868	1216013	SAAB	1303
352523 *	1216239	CHEVROLET - DAEWOO 235		352869	0395169	OPEL	1037
352523 *	1216239	OPEL	1047–1048	352869	0395169	SAAB	1303
352523	0785745	CHEVROLET - DAEWOO 235		352870	0385169	OPEL	1037
352523	0785745	OPEL	1047	352870	0385169	SAAB	1303
352524	0795745	CHEVROLET - DAEWOO 235		3530167	0601196	VOLVO	1736–1737
352524	0795745	OPEL	1047–1048	3530304	0502369	VOLVO	1744
352532	0405745	CHEVROLET - DAEWOO 219, 235		3546266	0603026	VOLVO	1728, 1745
352532	0405745	OPEL	1047	3546267	0293025	VOLVO	1728, 1730, 1745
352549	0398098	OPEL	1070	3546268	0283025	VOLVO	1728, 1730, 1745
352550	0388098	OPEL	1070	3546524 *	0403027	VOLVO	1745
352551 *	1216240	CHEVROLET - DAEWOO 235		3546524	0403027-K	VOLVO	1745
352551 *	1216240	OPEL	1047–1048	356105	1215738	PEUGEOT	1079
352551	0795745	CHEVROLET - DAEWOO 235		357407151	0700071	VOLKSWAGEN	1637, 1640
352551	0795745	OPEL	1047–1048	357407153	0700071	VOLKSWAGEN	1637, 1640
352552	0785745	CHEVROLET - DAEWOO 235		357407182 *	0900040	VOLKSWAGEN	1598
352552	0785745	OPEL	1047	357407182 *	0902419	VOLKSWAGEN	1598
352553	0788683	OPEL	1048	357407182	1214010	VOLKSWAGEN	1594
352720 *	0902434	PEUGEOT	1100	357407182	1215039	AUDI	31–32, 34–35, 40, 97
352720 *	0902435	PEUGEOT	1100	357407182	1215039	SEAT	1311–1312, 1327, 1329, 1333, 1335– 1336, 1338– 1339, 1341, 1352, 1356
352720 *	0902436	PEUGEOT	1100	357407182	1215039	SKODA	1358, 1362, 1364, 1366, 1374, 1383, 1386
352800	0401420	OPEL	1018, 1021, 1046, 1056, 1062, 1069	357407182	1215039	VOLKSWAGEN	1575, 1578, 1594–1595,
352800	0401420	SAAB	1301				
352800	0401420	VAUXHALL	1543, 1545, 1564, 1566				
352803	0401885	OPEL	1032				
352803	0401885	VAUXHALL	1557				
352806	1215050	PEUGEOT	1109, 1111, 1113				
352807	1215049	PEUGEOT	1109, 1111, 1113				
352811	0400772	OPEL	1058				
352812	0400757	OPEL	1012, 1040				

RIF. ORIG. O.E. NUMBER	RIF. OCAP OCAP REF.	MARCA MAKE	PAG.	RIF. ORIG. O.E. NUMBER	RIF. OCAP OCAP REF.	MARCA MAKE	PAG.
			1597, 1600, 1602, 1629, 1637, 1640, 1663, 1667, 1669, 1671- 1672, 1707	3640.33	0401138	CITROEN	289
				3640.33	0401138	FIAT	360
				3640.33	0401138	PEUGEOT	1073
				3640.35	0404161	PEUGEOT	1133
				3640.41	0404161	PEUGEOT	1133
357407365 *	0401235-K	VOLKSWAGEN	1578	3640.54	0401451	CITROEN	289
357407365	0401235	SEAT	1327, 1329	3640.54	0401451	FIAT	360
357407365	0401235	VOLKSWAGEN	1578, 1595, 1597, 1637, 1640, 1663	3640.54	0401451	PEUGEOT	1073
357407365A *	0401235-K	VOLKSWAGEN	1578, 1595	3640.55	0401446	CITROEN	288
357407365A *	0900040	VOLKSWAGEN	1598	3640.55	0401446	FIAT	359
357407365A *	0902415	SEAT	1328	3640.55	0401446	PEUGEOT	1072
357407365A **	0401235-K	SEAT	1327, 1329	3640.83	0405741	PEUGEOT	1140
357407365A	0401235	SEAT	1327, 1329	364015	0401127	PEUGEOT	1139
357407365A	0401235	VOLKSWAGEN	1578, 1595, 1597, 1637, 1640, 1663	364015	0401127	TALBOT	1449
				364017	0400097	CITROEN	280
				364017	0400097	FIAT	358
				364017	0400097	PEUGEOT	1078
				364018	0400097	CITROEN	280
357411313	1214265	VOLKSWAGEN	1638	364018	0400097	FIAT	358
357411313A	1214266	VOLKSWAGEN	1638	364018	0400097	PEUGEOT	1078
357411314	1214267	VOLKSWAGEN	1638	364021	0401124	CITROEN	254
357411314A	1214268	VOLKSWAGEN	1638	364021	0401124	PEUGEOT	1109, 1111, 1113, 1129, 1131
357411315A *	0181012-K	VOLKSWAGEN	1638, 1640				
357411315A	0181012	VOLKSWAGEN	1638, 1640	364025	0401127	PEUGEOT	1139
357411315C *	0182900-K	VOLKSWAGEN	1638	364025	0401127	TALBOT	1449
357411315C	0182900	VOLKSWAGEN	1638	364026	0400096	CITROEN	280
357411315D *	0181012-K	VOLKSWAGEN	1638, 1640	364026	0400096	FIAT	358
357411315D	0181012	VOLKSWAGEN	1638, 1640	364026	0400096	PEUGEOT	1078
357411329 *	0182900-K	VOLKSWAGEN	1638	364027	0401127	PEUGEOT	1139
357411331 *	0182900-K	VOLKSWAGEN	1638	364027	0401127	TALBOT	1449
357419803	0590215	VOLKSWAGEN	1636	364028	0400309	CITROEN	271, 304, 306
357419803A	0590215	VOLKSWAGEN	1636	364028	0400309	PEUGEOT	1129, 1131- 1132, 1144- 1145, 1147- 1148
357419804	0580215	VOLKSWAGEN	1636				
357422803 *	0600216	VOLKSWAGEN	1636, 1639	364029	0400097	CITROEN	280
357422803	0590216	VOLKSWAGEN	1636, 1639	364029	0400097	FIAT	358
357422803A	0590224	VOLKSWAGEN	1636	364029	0400097	PEUGEOT	1078
357422804 *	0600216	VOLKSWAGEN	1636, 1639	364030	0400210	PEUGEOT	1115-1116
357422804	0580216	VOLKSWAGEN	1636, 1639	364031	0400209	PEUGEOT	1114, 1116
357422804A	0580224	VOLKSWAGEN	1636	364032	0401137	CITROEN	288
357422831B *	0903048	VOLKSWAGEN	1597, 1599	364032	0401137	FIAT	359
357422831B	1211180	SEAT	1316	364032	0401137	PEUGEOT	1072
357422831B	1211180	VOLKSWAGEN	1597, 1599, 1627, 1639, 1660	364032	0401137	PEUGEOT	1072
36020064	1211223	ALFA ROMEO	14	364033	0401138	CITROEN	289
36020065	1211224	ALFA ROMEO	14	364033	0401138	FIAT	360
36020076	1211217	ALFA ROMEO	19	364033	0401138	PEUGEOT	1073
360-500427	0507251	RENAULT	1180	364034	0400309	CITROEN	271, 304, 306
360-501441	0187251	RENAULT	1180	364034	0400309	PEUGEOT	1129, 1131- 1132, 1144- 1145, 1147- 1148
360-501442	0197251	RENAULT	1180				
360828	0400518	ALFA ROMEO	22	364035	0404161	PEUGEOT	1133
360828	0400518	FIAT	384	364036	0400199	CITROEN	243, 297
360828	0400518	IVECO	587	364036	0400199	PEUGEOT	1090
360828	0400518	PEUGEOT	1079	364037	0400210	PEUGEOT	1115-1116
362215	0400806	PEUGEOT	1079	364038	0400642	CITROEN	248, 308, 314
362230 *	0900487	PEUGEOT	1099	364038	0400642	PEUGEOT	1081
362230 *	0902442	PEUGEOT	1100	364039	0400641	CITROEN	247, 307, 314
362244 *	0902442	PEUGEOT	1100	364039	0400641	PEUGEOT	1080
362314 *	0902442	PEUGEOT	1100	364042	0400642	CITROEN	248, 308, 314
3637393	0503211	OPEL	1036	364042	0400642	PEUGEOT	1081
3637430	0408513	OPEL	1036	364044	0400209	PEUGEOT	1114, 1116
3637432	1216248	OPEL	1036	364048	0401459	PEUGEOT	1117
3640.32	0401137	CITROEN	288	364049	0401460	PEUGEOT	1117
3640.32	0401137	FIAT	359	364050	0401796	CITROEN	249, 252, 309,
3640.32	0401137	PEUGEOT	1072				

RIF. ORIG. O.E. NUMBER	RIF. OCAP OCAP REF.	MARCA MAKE	PAG.	RIF. ORIG. O.E. NUMBER	RIF. OCAP OCAP REF.	MARCA MAKE	PAG.
			312	3646247	0788539	OPEL	1036
364050	0401796	PEUGEOT	1081	3646272	0798539	OPEL	1036
364051	0401797	CITROEN	250, 252, 310, 312	3665627	1215651	FORD	475
364051	0401797	PEUGEOT	1081, 1083	3665712	0783829	FORD	475
364053	0401854	CITROEN	253, 262, 264, 268	3665713	0793829	FORD	475
364053	0401854	PEUGEOT	1085, 1120- 1121	3665719	0783828	FORD	474
364054	0401451	CITROEN	289	3665721	0793828	FORD	474
364054	0401451	FIAT	360	3665732	0402936	FORD	474, 476
364054	0401451	PEUGEOT	1073	3665732	0402936	MAZDA	731-732
364055	0401446	CITROEN	288	3665759 *	0503823	FORD	474
364055	0401446	FIAT	359	3665759	0282934	FORD	474
364055	0401446	PEUGEOT	1072	3665759	0282934	MAZDA	731
364056	0402144	CITROEN	257, 259, 261	3665762	0503826	FORD	474
364056	0402144	PEUGEOT	1100, 1102- 1103	3665787	0403829	FORD	475
364057	0404386	CITROEN	272, 274	366602133	0280165	MASERATI	706
364057	0404386	PEUGEOT	1134-1135, 1142	366602134	0290165	MASERATI	706
364058	0404463	CITROEN	272, 274	3669093 *	0503823	FORD	474
364058	0404463	PEUGEOT	1134-1135, 1142	3669093	0292933	FORD	474
364059	0402355	PEUGEOT	1086	3669093	0292933	MAZDA	731, 744
364060	0401854	CITROEN	253, 262, 264, 268	3702281	0600045	FORD	422, 466
364060	0401854	PEUGEOT	1085, 1120- 1121	3707333	0601055	FORD	444, 485
364065	0402144	CITROEN	257, 259, 261	3707533	0601055	FORD	444, 485
364065	0402144	PEUGEOT	1100, 1102- 1103	37106775189	0505163	BMW	173, 183, 195
364066	0402355	PEUGEOT	1086	3736028 *	0903870	FORD	496
364068	0401854	CITROEN	253, 262, 264, 268	3736028	0503870	FORD	496
364068	0401854	PEUGEOT	1085, 1120- 1121	373918 *	0905343	CITROEN	271
364069	0404463	CITROEN	272, 274	3754149 *	0505586	FORD	476
364069	0404463	PEUGEOT	1134-1135, 1142	377407365B	0492016	AUDI	109, 111
364071	0400309	CITROEN	271, 304, 306	377407365B	0492016	VOLKSWAGEN	1634-1635
364071	0400309	PEUGEOT	1129, 1131- 1132, 1144- 1145, 1147- 1148	377407365B	0498506	VOLKSWAGEN	1590
364072 *	0902286	CITROEN	273, 275	377407366B	0482016	AUDI	109, 111
364072 *	0902286	PEUGEOT	1135, 1142	377407366B	0482016	VOLKSWAGEN	1634-1635
364072	0404463	CITROEN	272, 274	377407366B	0488506	VOLKSWAGEN	1590
364072	0404463	PEUGEOT	1134-1135, 1142	3812.F6	0604600	CITROEN	258
364073	0401854	CITROEN	253, 262, 264, 268	3812.G3 *	0605741	PEUGEOT	1140
364073	0401854	PEUGEOT	1085, 1120- 1121	3812.G3	0605741-K	PEUGEOT	1140
364074 *	0902286	CITROEN	273, 275	381200000	0602395	CITROEN	262
364074 *	0902286	PEUGEOT	1135, 1142	381200000	0602395	PEUGEOT	1119
364074	0404386	CITROEN	272, 274	381209	0501103	PEUGEOT	1107
364074	0404386	PEUGEOT	1134-1135, 1142	381215 *	0501122	CITROEN	299
364077	0404600	CITROEN	258, 260, 267, 286	381215 *	0501122	PEUGEOT	1088, 1138
364077	0404600	PEUGEOT	1103-1105	381215 *	0501122	TALBOT	1446, 1449
364078	0402144	CITROEN	257, 259, 261	381215 **	0600786	CITROEN	299
364078	0402144	PEUGEOT	1100, 1102- 1103	381215 **	0600786	PEUGEOT	1088, 1138
364083	0405741	PEUGEOT	1140	381215 **	0600786	RENAULT	1233
3644790	1216249	OPEL	1036	381215 **	0600786	TALBOT	1446, 1449
				381215	0501122-K	PEUGEOT	1088, 1138
				381215	0501122-K	TALBOT	1446, 1449
				381217	0501128	PEUGEOT	1138
				381219	0600786	CITROEN	299
				381219	0600786	PEUGEOT	1088, 1138
				381219	0600786	RENAULT	1233
				381219	0600786	TALBOT	1446, 1449
				381221	0501128	PEUGEOT	1138
				381225	0600951	CITROEN	277, 294, 300, 302
				381225	0600951	PEUGEOT	1095, 1106- 1107, 1125, 1139
				381227	0600514	CITROEN	279
				381227	0600514	FIAT	357
				381227	0600514	PEUGEOT	1077
				381229 *	0594101	PEUGEOT	1110
				381229	0594101-K	PEUGEOT	1110
				381231 *	0584101	PEUGEOT	1110

RIF. ORIG. O.E. NUMBER	RIF. OCAP OCAP REF.	MARCA MAKE	PAG.	RIF. ORIG. O.E. NUMBER	RIF. OCAP OCAP REF.	MARCA MAKE	PAG.
381231	0584101-K	PEUGEOT	1110	3812A0	0900801	CITROEN	242, 244, 296
381232 *	0180950	CITROEN	247, 249, 251, 307, 309, 311, 313	3812A0	0900801	PEUGEOT	1089
381232 *	0180950	PEUGEOT	1080, 1083	3812A4	0600918	CITROEN	292
381232 *	0501123	CITROEN	277, 294, 300, 302	3812A4	0600918	PEUGEOT	1150
381232 *	0501123	PEUGEOT	1095, 1106- 1107, 1125, 1139	3812A6	0601537	CITROEN	305
381232	0501123-K	PEUGEOT	1095, 1106- 1107	3812A6	0601537	PEUGEOT	1146
381232	0584106	CITROEN	277	3812A8	0600465	CITROEN	305
381232	0584106	PEUGEOT	1108, 1125	3812A9	0601550	CITROEN	303
3812-35	0584106	CITROEN	277	3812A9	0601550	PEUGEOT	1132
3812-35	0584106	PEUGEOT	1108, 1125	3812C0 *	0500639	CITROEN	247, 249, 251, 307, 309, 311, 313
3812-37	0584106	CITROEN	277	3812C0 *	0500639	PEUGEOT	1080, 1083
381237	0584106	CITROEN	277	3812C0	0600639	CITROEN	247, 249, 251, 307, 309, 311, 313
3812-37	0584106	PEUGEOT	1108, 1125	3812C0	0600639	PEUGEOT	1080, 1083
381237	0584106	PEUGEOT	1108, 1125	3812C2	0600450	PEUGEOT	1130
3812-47	0591130	PEUGEOT	1112, 1128	3812C4	0602324	PEUGEOT	1132
381247	0591130	PEUGEOT	1112, 1128	3812C5	0600483	PEUGEOT	1097
3812-50	0581130	PEUGEOT	1112, 1128	3812C6 *	0500639	CITROEN	247, 249, 251, 307, 309, 311, 313
381250	0581130	PEUGEOT	1112, 1128	3812C6 *	0500639	PEUGEOT	1080, 1083
381252 *	0180950	CITROEN	247, 249, 251, 307, 309, 311, 313	3812C6	0600639	CITROEN	247, 249, 251, 307, 309, 311, 313
381252 *	0180950	PEUGEOT	1080, 1083	3812C6	0600639	PEUGEOT	1080, 1083
381252 *	0501123	CITROEN	277, 294, 300, 302	3812C7	0601856	PEUGEOT	1148
381252 *	0501123	PEUGEOT	1095, 1106- 1107, 1125, 1139	3812C8	0601512	CITROEN	271
381252	0501123-K	PEUGEOT	1095, 1106- 1107	3812E0	0601853	CITROEN	262
381254	0584106	CITROEN	277	3812E0	0601853	PEUGEOT	1119
381254	0584106	PEUGEOT	1108, 1125	3812E1	0601509	CITROEN	257
381265 *	0180950	CITROEN	247, 249, 251, 307, 309, 311, 313	3812E1	0601509	PEUGEOT	1086
381265 *	0180950	PEUGEOT	1080, 1083	3812E2	0603816	CITROEN	276
381265 *	0501123	CITROEN	277, 294, 300, 302	3812E2	0603816	PEUGEOT	1151
381265 *	0501123	PEUGEOT	1095, 1106- 1107, 1125, 1139	3812E3	0604382	CITROEN	274
381280	0580418	CITROEN	305	3812E3	0604382	PEUGEOT	1134
381280	0580418	PEUGEOT	1144	3812E4 *	0500639	CITROEN	247, 249, 251, 307, 309, 311, 313
381281	0590418	CITROEN	305	3812E4 *	0500639	PEUGEOT	1080, 1083
381281	0590418	PEUGEOT	1144	3812E4	0600639	CITROEN	247, 249, 251, 307, 309, 311, 313
3812-85	0590311	PEUGEOT	1089	3812E4	0600639	PEUGEOT	1080, 1083
381285	0590311	PEUGEOT	1089	3812E5	0602395	CITROEN	262
3812-86	0580311	PEUGEOT	1089	3812E5	0602395	PEUGEOT	1119
381286	0580311	PEUGEOT	1089	3812E7	0604382	CITROEN	274
381287	0590316	PEUGEOT	1089	3812E8	0602394	CITROEN	261
381288	0580316	PEUGEOT	1089	3812E8	0602394	PEUGEOT	1100
381292	0600281	PEUGEOT	1114, 1116	3812E9	0602661	CITROEN	268
381293	0604105	CITROEN	277, 303	3812F0	0602733	CITROEN	293
381293	0604105	PEUGEOT	1108, 1125	3812F0	0602733	PEUGEOT	1076
381295	0604105	CITROEN	277, 303	3812F1	0608077	CITROEN	285
381295	0604105	PEUGEOT	1108, 1125	3812F1	0608077	PEUGEOT	888, 902
381297	0604105	CITROEN	277, 303	3812F1	0608077	MITSUBISHI	888, 902
381297	0604105	PEUGEOT	1108, 1125	3812F2	0603148	CITROEN	1153
381298	0601130	PEUGEOT	1112, 1128, 1130	3812F2	0603148	PEUGEOT	264
381299	0600418	CITROEN	305	3812F2	0603148	CITROEN	264
381299	0600418	PEUGEOT	1144	3812F3 *	0605171	CITROEN	1121
				3812F3 *	0605171	PEUGEOT	272
				3812F3	0605171-K	CITROEN	272
				3812F3	0605171-K	PEUGEOT	1142
				3812F4	0603147	CITROEN	253
				3812F4	0603147	PEUGEOT	1085
				3812F6	0604600	CITROEN	258

RIF. ORIG. O.E. NUMBER	RIF. OCAP OCAP REF.	MARCA MAKE	PAG.	RIF. ORIG. O.E. NUMBER	RIF. OCAP OCAP REF.	MARCA MAKE	PAG.
3812G3 *	0605741	PEUGEOT	1140				296, 303, 305
3812G3	0605741-K	PEUGEOT	1140	381741	0194101	PEUGEOT	1089, 1097, 1110, 1119, 1144
381329	0180788	PEUGEOT	1094				
381330	0501104	PEUGEOT	1079	381742	0184101	CITROEN	242, 244, 262, 296, 303, 305
381335	0101102	PEUGEOT	1137				
381339	0190789	PEUGEOT	1094	381742	0184101	PEUGEOT	1089, 1097, 1110, 1119, 1144
381351	0190792	PEUGEOT	1106				
381406	0190788	PEUGEOT	1094	381743	0191538	CITROEN	303, 305
381410	0101101	PEUGEOT	1137	381743	0191538	PEUGEOT	1146, 1148
381411	0180793	PEUGEOT	1127	381744	0181538	CITROEN	303, 305
381412	0180789	PEUGEOT	1094	381744	0181538	PEUGEOT	1146, 1148
381422	0180792	PEUGEOT	1106	381747	0602353	CITROEN	296
3817.A1	0295741	PEUGEOT	1140	381747	0602353	PEUGEOT	1089
3817.A2	0285741	PEUGEOT	1140	381748	0191129	PEUGEOT	1112, 1128, 1130
381711	0280513	CITROEN	279				
381711	0280513	FIAT	357	381749	0181129	PEUGEOT	1112, 1128, 1130
381711	0280513	PEUGEOT	1077				
381714	0194101	CITROEN	242, 244, 262, 296, 303, 305	381750	0180950	CITROEN	262, 277, 294, 299-300, 302
381714	0194101	PEUGEOT	1089, 1097, 1110, 1119, 1144	381750	0180950	PEUGEOT	1088, 1095, 1106-1108, 1114, 1116, 1119, 1125, 1137-1139
381716	0184101	CITROEN	242, 244, 262, 296, 303, 305	381750	0180950	TALBOT	1446, 1449
381716	0184101	PEUGEOT	1089, 1097, 1110, 1119, 1144	381753	0191676	CITROEN	271
				381754	0181676	CITROEN	271
381718	0180950	CITROEN	262, 277, 294, 299-300, 302	381754	0181676	PEUGEOT	1130
381718	0180950	PEUGEOT	1088, 1095, 1106-1108, 1114, 1116, 1119, 1125, 1137-1139	381755	0291508	CITROEN	257
				381755	0291508	PEUGEOT	1086
381718	0180950	TALBOT	1446, 1449	381756	0281508	CITROEN	257
381721	0191129	PEUGEOT	1112, 1128, 1130	381756	0281508	PEUGEOT	1086
381722	0181129	PEUGEOT	1112, 1128, 1130	381757	0184381	PEUGEOT	1134
381726	0191129	PEUGEOT	1112, 1128, 1130	381758	0194381	PEUGEOT	1134
381727	0181129	PEUGEOT	1112, 1128, 1130	381763	0292130	CITROEN	255-256
381731	0184101	CITROEN	242, 244, 262, 296, 303, 305	381763	0292130	PEUGEOT	1092-1093
381731	0184101	PEUGEOT	1089, 1097, 1110, 1119, 1144	381763	0292130	TOYOTA	1462-1463
				381764	0282130	CITROEN	255-256
381732	0180558	CITROEN	242, 244, 296	381764	0282130	PEUGEOT	1092-1093
381732	0180558	PEUGEOT	1089	381764	0282130	TOYOTA	1462-1463
381733	0180317	CITROEN	296	381765	0194382	CITROEN	274
381733	0180317	PEUGEOT	1089	381765	0194382	PEUGEOT	1134
381734	0900319	CITROEN	296	381766	0184382	CITROEN	274
3817-34	0900319	PEUGEOT	1089	381766	0184382	PEUGEOT	1134
381734	0900319	PEUGEOT	1089	381767	0292393	CITROEN	261, 286
381735	0290310	CITROEN	296	381767	0292393	PEUGEOT	1100, 1102, 1105
3817-35	0290310	PEUGEOT	1089	381768	0282393	CITROEN	261, 286
381735	0290310	PEUGEOT	1089	381768	0282393	PEUGEOT	1100, 1102, 1105
381736	0290315	CITROEN	296				
381736	0290315	PEUGEOT	1089	381771	0292660	CITROEN	268
381737	0191538	CITROEN	303, 305	381772	0282660	CITROEN	268
381737	0191538	PEUGEOT	1146, 1148	381773	0282733	CITROEN	293
381738	0181538	CITROEN	303, 305	381773	0282733	PEUGEOT	1076
381738	0181538	PEUGEOT	1146, 1148	381774	0288077	CITROEN	265, 285
381739	0181549	PEUGEOT	1132	381774	0288077	MITSUBISHI	866, 888, 902- 903
381740	0191549	PEUGEOT	1132				
381741	0194101	CITROEN	242, 244, 262,	381774	0288077	PEUGEOT	1153-1154
				381775	0283147	CITROEN	253, 264
				381775	0283147	PEUGEOT	1085, 1121
				381776	0293147	CITROEN	253, 264
				381776	0293147	PEUGEOT	1085, 1121
				381780	0295171	CITROEN	272
				381780	0295171	PEUGEOT	1142
				381781	0285171	CITROEN	272

RIF. ORIG. O.E. NUMBER	RIF. OCAP OCAP REF.	MARCA MAKE	PAG.	RIF. ORIG. O.E. NUMBER	RIF. OCAP OCAP REF.	MARCA MAKE	PAG.
381781	0285171	PEUGEOT	1142	3A0422811	0290873	SEAT	1326, 1355
381784	0292753	CITROEN	295	3A0422811	0290873	VOLKSWAGEN	1578, 1593,
381784	0292753	FIAT	365, 368				1596, 1599,
381784	0292753	PEUGEOT	1071				1636, 1639
381785	0282753	CITROEN	295	3A0422812	0280873	SEAT	1326, 1355
381785	0282753	FIAT	365, 368	3A0422812	0280873	VOLKSWAGEN	1578, 1593,
381785	0282753	PEUGEOT	1071				1596, 1599,
381786	0292753	CITROEN	295				1636, 1639
381786	0292753	FIAT	365, 368	3A0501541	1215658	VOLKSWAGEN	1638
381786	0292753	PEUGEOT	1071	3C0199231A	1215778	AUDI	89
381787	0282753	CITROEN	295	3C0199231A	1215778	SEAT	1309
381787	0282753	FIAT	365, 368	3C0199231A	1215778	VOLKSWAGEN	1580-1581,
381787	0282753	PEUGEOT	1071				1648-1649,
381788	0283147	CITROEN	253, 264				1678, 1680-
381788	0283147	PEUGEOT	1085, 1121	3C0199231B	1215778	AUDI	1681
381789	0293147	CITROEN	253, 264	3C0199231B	1215778	SEAT	89
381789	0293147	PEUGEOT	1085, 1121	3C0199231B	1215778	VOLKSWAGEN	1309
381791	0284600	CITROEN	258				1580, 1648-
381792	0294600	CITROEN	258				1649, 1678,
3817A1	0295741	PEUGEOT	1140				1680-1681
3817A2	0285741	PEUGEOT	1140	3C0199231D	1215778	AUDI	89
3817C7	0601856	PEUGEOT	1148	3C0199231D	1215778	SEAT	1309
38662110	0401218	INNOCENTI	577	3C0199231D	1215778	VOLKSWAGEN	1580, 1648-
387000126	0501046	MASERATI	707				1649, 1678,
387430	0190804	PEUGEOT	1079				1680-1681
387431	0180804	PEUGEOT	1079	3C0407151A *	0384281	VOLKSWAGEN	1680
3874-99-324	0193429	MAZDA	744	3C0407151A **	0394281	VOLKSWAGEN	1680
389917	0900793	PEUGEOT	1094, 1127	3C0407151A	0302117	AUDI	89
389918	0900796	PEUGEOT	1137	3C0407151A	0302117	SEAT	1309
389922	0902279	PEUGEOT	1079	3C0407151A	0302117	VOLKSWAGEN	1580, 1648,
39001003	0595800	OPEL	1024				1678, 1680
39001004	0585800	OPEL	1024	3C0407151B	0302117	AUDI	89
39001027	1216322	OPEL	1024	3C0407151B	0302117	SEAT	1309
39008083	0285796	OPEL	1024	3C0407151B	0302117	VOLKSWAGEN	1580, 1648,
39008084	0295796	OPEL	1024				1678, 1680
39021472 *	0405798	OPEL	1024	3C0407151E	0302117	AUDI	89
39021472	0795799	OPEL	1024	3C0407151E	0302117	SEAT	1309
39021473 *	0405798	OPEL	1024	3C0407151E	0302117	VOLKSWAGEN	1580, 1648,
39021473	0785799	OPEL	1024				1678, 1680
39021474	1216323	OPEL	1024	3C0407365A	0492117	AUDI	47, 89
3903147	0603968	FORD	463-464, 466	3C0407365A	0492117	SEAT	1309, 1318,
3903147	0603968	MAZDA	746				1348
3903149	0600045	FORD	422, 466	3C0407365A	0492117	SKODA	1369, 1371,
3904122 *	0900045	FORD	466				1381, 1394
3904122 *	0901772	FORD	468	3C0407365A	0492117	VOLKSWAGEN	1580-1581,
3904122	1211215	FORD	422, 466				1614, 1648-
3904122	1211346	FORD	422, 463, 468				1649, 1652,
3905020	0903825	FORD	474				1678, 1683,
39064480	0595800	OPEL	1024				1696
39064481	0585800	OPEL	1024	3C0407365B *	0795750	AUDI	47
391730	0194101	CITROEN	242, 244, 262,	3C0407365B *	0795750	SEAT	1348
			296, 303, 305	3C0407365B *	0795750	SKODA	1381
391730	0194101	PEUGEOT	1089, 1097,	3C0407365B *	0795750	VOLKSWAGEN	1614
			1110, 1119,	3C0407365B	0492117	AUDI	47, 89
			1144	3C0407365B	0492117	SEAT	1309, 1318,
39176184 *	0285769	OPEL	1036				1348
39176184 **	0601513	OPEL	1036	3C0407365B	0492117	SKODA	1369, 1371,
39176185 *	0295769	OPEL	1036				1381, 1394
39176185 **	0601513	OPEL	1036	3C0407365B	0492117	VOLKSWAGEN	1580-1581,
3933468 *	0903870	FORD	496				1614, 1648-
3933468	0503870	FORD	496				1649, 1652,
3A0422803C *	0600216	VOLKSWAGEN	1639				1678, 1683,
3A0422803C	0590216	VOLKSWAGEN	1639				1696
3A0422804C *	0600216	VOLKSWAGEN	1639	3C0407366A	0482117	AUDI	47, 89
3A0422804C	0580216	VOLKSWAGEN	1639	3C0407366A	0482117	SEAT	1309, 1318,
							1348
				3C0407366A	0482117	SKODA	1369, 1371,
							1381, 1394

RIF. ORIG. O.E. NUMBER	RIF. OCAP OCAP REF.	MARCA MAKE	PAG.	RIF. ORIG. O.E. NUMBER	RIF. OCAP OCAP REF.	MARCA MAKE	PAG.
3C0407366A	0482117	VOLKSWAGEN	1580-1581, 1614, 1648- 1649, 1652, 1678, 1683, 1696	3L5491489	0580625	CITROEN	283-284
				3M513L519AA	0604345	FORD	446, 449, 460- 461, 486
				3M513L519AA	0604345	VOLVO	1716, 1721
				3M513L519AB	0604345	FORD	446, 449, 460- 461, 486
3C0407366B *	0785750	AUDI	47	3M513L519AB	0604345	VOLVO	1716, 1721
3C0407366B *	0785750	SEAT	1348	3M515K896AC	1216061	FORD	448, 460
3C0407366B *	0785750	SKODA	1381	3Q0407151E *	0795759	SEAT	1318
3C0407366B *	0785750	VOLKSWAGEN	1614	3Q0407151E *	0795759	SKODA	1369, 1371, 1394
3C0407366B	0482117	AUDI	47, 89	3Q0407151E *	0795759	VOLKSWAGEN	1652, 1683, 1696
3C0407366B	0482117	SEAT	1309, 1318, 1348	3Q0407151E	0795758	SEAT	1318
3C0407366B	0482117	SKODA	1369, 1371, 1381, 1394	3Q0407151E	0795758	SKODA	1369, 1371, 1394
3C0407366B	0482117	VOLKSWAGEN	1580-1581, 1614, 1648- 1649, 1652, 1678, 1683, 1696	3Q0407151E	0795758	VOLKSWAGEN	1652, 1683, 1696
3C0423811B	0294279	AUDI	34, 42, 46, 89	3Q0407151F *	0795759	SEAT	1318
3C0423811B	0294279	SEAT	1309, 1311, 1318, 1338, 1343, 1347	3Q0407151F *	0795759	SKODA	1369, 1371, 1394
3C0423811B	0294279	SKODA	1369, 1371, 1376, 1380, 1391, 1394	3Q0407151F *	0795759	VOLKSWAGEN	1652, 1683, 1696
3C0423811B	0294279	VOLKSWAGEN	1573, 1580, 1605, 1610, 1613, 1616, 1619, 1647, 1652, 1671, 1673, 1678, 1680, 1683, 1690, 1694, 1696	3Q0407151F	0795758	SEAT	1318
				3Q0407151F	0795758	SKODA	1369, 1371, 1394
				3Q0407151F	0795758	VOLKSWAGEN	1652, 1683, 1696
3C0423812B	0284279	AUDI	34, 42, 46, 89	3Q0407151J	0795758	SEAT	1318
3C0423812B	0284279	SEAT	1309, 1311, 1318, 1338, 1343, 1347	3Q0407151J	0795758	SKODA	1369, 1371, 1394
3C0423812B	0284279	SKODA	1369, 1371, 1376, 1380, 1391, 1394	3Q0407151J	0795758	VOLKSWAGEN	1652, 1683, 1696
3C0423812B	0284279	VOLKSWAGEN	1573, 1580, 1605, 1610, 1613, 1616, 1619, 1647, 1652, 1671, 1673, 1678, 1680, 1683, 1690, 1694, 1696	3Q0407152E *	0785759	SEAT	1318
				3Q0407152E *	0785759	SKODA	1369, 1371, 1394
				3Q0407152E *	0785759	VOLKSWAGEN	1652, 1683, 1696
3C0505223	0799288	AUDI	90	3Q0407152E	0785758	SEAT	1318
3C0505223	0799288	VOLKSWAGEN	1651	3Q0407152E	0785758	SKODA	1369, 1371, 1394
3C0505223A	0799288	AUDI	90	3Q0407152E	0785758	VOLKSWAGEN	1652, 1683, 1696
3C0505223A	0799288	VOLKSWAGEN	1651	3Q0407152J	0785758	SEAT	1318
3C0505223D	0799288	AUDI	90	3Q0407152J	0785758	SKODA	1369, 1371, 1394
3C0505223D	0799288	VOLKSWAGEN	1651	3Q0407152J	0785758	VOLKSWAGEN	1652, 1683, 1696
3C0505224	0789288	AUDI	90	3Q0505311C	0708512	SEAT	1319
3C0505224	0789288	VOLKSWAGEN	1651	3Q0505311C	0708512	SKODA	1372, 1395
3C0505224A	0789288	AUDI	90	3Q0505311C	0708512	VOLKSWAGEN	1653, 1684
3C0505224A	0789288	VOLKSWAGEN	1651	3Q0505311D	0708512	SEAT	1319
3C0505224D	0789288	AUDI	90	3Q0505311D	0708512	SKODA	1372, 1395
3C0505224D	0789288	VOLKSWAGEN	1651	3Q0505311D	0708512	VOLKSWAGEN	1653, 1684
3L5429314H	0400623	CITROEN	282, 284	3Q0505311E *	1216340	SEAT	1319
3L5429403A	0590624	CITROEN	283	3Q0505311E *	1216340	SKODA	1372, 1395
3L5429404L	0580624	CITROEN	283	3Q0505311E *	1216340	VOLKSWAGEN	1653, 1684
3L5429430U	0402068	CITROEN	283				
3L5491487	0590625	CITROEN	283-284				

RIF. ORIG. O.E. NUMBER	RIF. OCAP OCAP REF.	MARCA MAKE	PAG.	RIF. ORIG. O.E. NUMBER	RIF. OCAP OCAP REF.	MARCA MAKE	PAG.
3Q0505311E	0708512	SEAT	1319	40110-G3700	0404645	NISSAN	1001-1002
3Q0505311E	0708512	SKODA	1372, 1395	40110-G5100	0404645	NISSAN	1001-1002
3Q0505311E	0708512	VOLKSWAGEN	1653, 1684	40110-G5110	0404645	NISSAN	1001-1002
4000SF*	0602637	CITROEN	290	40110-J0125	0403531	NISSAN	934
4000SF*	0602637	FIAT	361	40110-LC10A	0408520	NISSAN	935-936
4000SF*	0602637	PEUGEOT	1074	40110-T3002	0403531	NISSAN	934
4001.33 *	0602130	CITROEN	255-256	40110-T3025	0403531	NISSAN	934
4001.33 *	0602130	PEUGEOT	1092-1093	40110-T3060	0403533	NISSAN	934, 964, 966, 993-994, 998- 999
4001.33 *	0602130	TOYOTA	1462-1463				
400122	0191676	PEUGEOT	1130				
400123	0181676	CITROEN	271	40110-T6000	0403533	NISSAN	934, 964, 966, 993-994, 998- 999
400123	0181676	PEUGEOT	1130				
400133 *	0602130	CITROEN	255-256				
400133 *	0602130	PEUGEOT	1092-1093	40110-T6025	0403533	NISSAN	934, 964, 966, 993-994, 998- 999
400133 *	0602130	TOYOTA	1462-1463				
400177	0602753	CITROEN	295				
400177	0602753	FIAT	365	40110-V0100	0403533	NISSAN	934, 964, 966, 993-994, 998- 999
400177	0602753	PEUGEOT	1071				
4001A1 *	0602637	CITROEN	290	40111-J0100	0403531	NISSAN	934
4001A1 *	0602637	FIAT	361	40111-J0125	0403531	NISSAN	934
4001A1 *	0602637	PEUGEOT	1074	40111-T3002	0403531	NISSAN	934
4001CW	0602753	CITROEN	295	40111-T3025	0403531	NISSAN	934
4001CW	0602753	FIAT	365	4013A009 *	0408077	CITROEN	265, 285
4001CW	0602753	PEUGEOT	1071	4013A009 *	0408077	MITSUBISHI	866, 888, 902- 903
4001CX	0602753	CITROEN	295				
4001CX	0602753	FIAT	365	4013A009 *	0408077	PEUGEOT	1153-1154
4001CX	0602753	PEUGEOT	1071	4013A009	0798077	CITROEN	265, 285
4001E4 *	0602637	CITROEN	290	4013A009	0798077	MITSUBISHI	866, 888, 902- 903
4001E4 *	0602637	PEUGEOT	1074				
4001E4	0602637	FIAT	361	4013A009	0798077	PEUGEOT	1153-1154
4001E5 *	0602637	CITROEN	290	4013A010 *	0408077	CITROEN	265, 285
4001E5 *	0602637	PEUGEOT	1074	4013A010 *	0408077	MITSUBISHI	866, 888, 902- 903
4001E5	0602637	FIAT	361				
400622 *	1211309	CITROEN	288	4013A010 *	0408077	PEUGEOT	1153-1154
400622 *	1211309	PEUGEOT	1072	4013A010	0788077	CITROEN	265, 285
400622	0900490	CITROEN	288	4013A010	0788077	MITSUBISHI	866, 888, 902- 903
400622	0900490	PEUGEOT	1072				
400624	0601139	CITROEN	288	4013A010	0788077	PEUGEOT	1153-1154
400624	0601139	FIAT	359	4013A087	0794128	MITSUBISHI	896
400624	0601139	PEUGEOT	1072	4013A088	0784128	MITSUBISHI	896
4010A013	0794126	MITSUBISHI	896	4013A090	0404128	MITSUBISHI	896
4010A014	0784126	MITSUBISHI	896	4013A209	0794141	MITSUBISHI	910
4010A015	0403088	MITSUBISHI	896, 908, 910	4013A210	0784141	MITSUBISHI	910
4010A037	0793088	MITSUBISHI	908, 910	4013A211	0404141	MITSUBISHI	908, 910
4010A038	0783088	MITSUBISHI	908, 910	4013A217	0798077	CITROEN	265, 285
4010A099	0403088	MITSUBISHI	896, 908, 910	4013A217	0798077	MITSUBISHI	866, 888, 902- 903
40110-01G00	0403533	NISSAN	934, 964, 966, 993-994, 998- 999	4013A217	0798077	PEUGEOT	1153-1154
				4013A218	0788077	CITROEN	265, 285
40110-01G25	0403533	NISSAN	934, 964, 966, 993-994, 998- 999	4013A218	0788077	MITSUBISHI	866, 888, 902- 903
				4013A218	0788077	PEUGEOT	1153-1154
40110-01G26	0403533	NISSAN	934, 964, 966, 993-994, 998- 999	4013A274	0784130	MITSUBISHI	887
				4013A279	0798077	CITROEN	265, 285
40110-2S485	0404626	NISSAN	968	4013A279	0798077	MITSUBISHI	866, 888, 902- 903
40110-2S486	0404626	NISSAN	968	4013A279	0798077	PEUGEOT	1153-1154
40110-2S685	0404626	NISSAN	968	4013A280	0788077	CITROEN	265, 285
40110-2S686	0404626	NISSAN	968	4013A280	0788077	MITSUBISHI	866, 888, 902- 903
40110-9X502	0408520	NISSAN	935-936	4013A280	0788077	PEUGEOT	1153-1154
401109X50A	0408520	NISSAN	935-936	4013A281	0798077	CITROEN	265, 285
40110-9X50B	0408520	NISSAN	935-936	4013A281	0798077	MITSUBISHI	866, 888, 902- 903
40110-B9500	0403533	NISSAN	934, 964, 966, 993-994, 998- 999	4013A281	0798077	PEUGEOT	1153-1154
				4013A282	0788077	CITROEN	265, 285
40110-EA000	0404620	NISSAN	958				

RIF. ORIG. O.E. NUMBER	RIF. OCAP OCAP REF.	MARCA MAKE	PAG.	RIF. ORIG. O.E. NUMBER	RIF. OCAP OCAP REF.	MARCA MAKE	PAG.
4013A282	0788077	mitsubishi	866, 888, 902-903				975
4013A282	0788077	PEUGEOT	1153-1154	40160-52Y00	0403586	NISSAN	922, 992, 997
4013A330	0784128	mitsubishi	896	40160-55G90	0400437	NISSAN	964, 967, 999
4013A443	0798669	CITROEN	265	40160-60Y00	0404399	NISSAN	924
4013A443	0798669	mitsubishi	866, 888, 903	40160-60Y10	0403586	NISSAN	922, 992, 997
4013A443	0798669	PEUGEOT	1154	40160-60Y20	0403586	NISSAN	922, 992, 997
4013A444	0788669	CITROEN	265	40160-60Y60	0403552	NISSAN	973, 976
4013A444	0788669	mitsubishi	866, 888, 903	40160-67L00	0402952	NISSAN	943
4013A444	0788669	PEUGEOT	1154	40160-69C00	0403552	NISSAN	973, 976
40160-00Q0A	0404627	NISSAN	972	40160-69Y00	0403586	NISSAN	922, 992, 997
40160-00QAB	0401522	NISSAN	939	40160-69Y10	0403586	NISSAN	922, 992, 997
40160-00QAB	0401522	OPEL	1050	40160-70J00	0403552	NISSAN	973, 976
40160-00QAB	0401522	RENAULT	1210	401608374R	0401524	NISSAN	955
40160-00QAB	0401522	VAUXHALL	1561	401608374R	0401524	OPEL	1051
40160-00QAC	0401494	NISSAN	939	401608374R	0401524	RENAULT	1211
40160-00QAC	0401494	OPEL	1049	40160-85E00	0403527	NISSAN	933, 945, 971, 975
40160-00QAC	0401494	RENAULT	1209				
40160-00QAC	0401494	VAUXHALL	1561	40160-86M00	0403552	NISSAN	973, 976
40160-00QAD	0401494	NISSAN	939	40160-9C500	0484179	NISSAN	985
40160-00QAD	0401494	OPEL	1049	40160-9W200	0403124	NISSAN	951, 981, 983, 1006
40160-00QAD	0401494	RENAULT	1209				
40160-00QAD	0401494	VAUXHALL	1561	40160-9W200	0403124	RENAULT	1196, 1202
40160-01A00	0400996	NISSAN	937, 971, 979, 990, 996	40160-9X502	0408519	NISSAN	935-936
				40160-9X50B	0408519	NISSAN	935-936
40160-01A25	0400996	NISSAN	937, 971, 979, 990, 996	40160-9Y000	0403124	NISSAN	951, 981, 983, 1006
40160-01B25	0401521	NISSAN	947	40160-9Y000	0403124	RENAULT	1196, 1202
40160-01E00	0403527	NISSAN	933, 945, 971, 975	40160-A03G0	0400996	NISSAN	937, 971, 979, 990, 996
40160-01E25	0403527	NISSAN	933, 945, 971, 975	40160-A06G0	0400996	NISSAN	937, 971, 979, 990, 996
40160-01G00	0400437	NISSAN	964, 967, 999	40160-A8600	0403513	NISSAN	930, 988, 1003
40160-01G25	0400437	NISSAN	964, 967, 999	40160-A8610	0403513	NISSAN	930, 988, 1003
40160-01G50	0400437	NISSAN	964, 967, 999	40160-A8625	0403513	NISSAN	930, 988, 1003
40160-01G90	0400437	NISSAN	964, 967, 999	40160-AX000	0404172	NISSAN	949
40160-01N25	0400437	NISSAN	964, 967, 999	40160-AX000	0404172	RENAULT	1217
40160-0F000	0403548	NISSAN	966, 993-994	40160-B9500	0480146	NISSAN	934, 964, 966, 998
40160-0W000	0402576	NISSAN	957				
40160-0W025	0402576	NISSAN	957	40160-CA010	0403124	NISSAN	951, 981, 983, 1006
401602308R	0402453	DACIA	317	40160-CA010	0403124	RENAULT	1196, 1202
401602379R	0401524	NISSAN	955	40160-CC40A	0403124	NISSAN	951, 981, 983, 1006
401602379R	0401524	OPEL	1051				
401602379R	0401524	RENAULT	1211	40160-CC40A	0403124	RENAULT	1196, 1202
40160-2S485	0400437	NISSAN	964, 967, 999	40160-D0125	0483567	NISSAN	929
40160-2S601	0404625	NISSAN	968	40160-F1700	0480146	NISSAN	934, 964, 966, 998
40160-2Y000	0402823	NISSAN	926				
40160-41L00	0402952	NISSAN	943	40160-G2500	0404646	NISSAN	1001-1002
401604793R	0404173	DACIA	318	40160-G2525	0404646	NISSAN	1001-1002
401604793R	0404173	RENAULT	1181, 1188-1189, 1217, 1256	40160-G4010	0404646	NISSAN	1001-1002
				40160-G5400	0404646	NISSAN	1001-1002
40160-48W00	0480146	NISSAN	934, 964, 966, 998	40160-H1001	0403573	NISSAN	987
				40160-H7400	0403574	NISSAN	987, 989
40160-48W25	0480146	NISSAN	934, 964, 966, 998	40160-J0100	0403532	NISSAN	934
				40160-J0125	0403532	NISSAN	934
40160-4F100	0403542	NISSAN	947	40160-J7500	0403552	NISSAN	973, 976
40160-50A00	0400092	NISSAN	937, 980, 991, 996	40160-M0225	0403535	NISSAN	937
				40160-M3025	0403535	NISSAN	937
40160-50J25	0403552	NISSAN	973, 976	40160-M7025	0403536	NISSAN	937
40160-50W00	0403548	NISSAN	966, 993-994	40160-N8400	0403561	NISSAN	986
40160-50W01	0403548	NISSAN	966, 993-994	40160-S0125	0401226	NISSAN	923, 931-932, 942
40160-50W10	0403548	NISSAN	966, 993-994				
40160-50Y00	0403586	NISSAN	922, 992, 997	40160-S0126	0401226	NISSAN	923, 931-932, 942
40160-50Y10	0403586	NISSAN	922, 992, 997				
40160-51E00	0403527	NISSAN	933, 945, 971,	40160-S0127	0401226	NISSAN	923, 931-932, 942

RIF. ORIG. O.E. NUMBER	RIF. OCAP OCAP REF.	MARCA MAKE	PAG.	RIF. ORIG. O.E. NUMBER	RIF. OCAP OCAP REF.	MARCA MAKE	PAG.
40160-S0128	0401226	NISSAN	923, 931-932, 942	4042022	0783869	FORD	495
40160-S0W25	0403548	NISSAN	966, 993-994	4042023	0793869	FORD	495
40160-T3002	0403532	NISSAN	934	4042024	1215678	FORD	495-496
40160-T3025	0403532	NISSAN	934	4042068	0503871	FORD	497
40160-T3026	0403532	NISSAN	934	4045250	1211377	FORD	438
40160-T3060	0480146	NISSAN	934, 964, 966, 998	4047091	0283867	FORD	495, 498
40160-U7000	0403513	NISSAN	930, 988, 1003	4048739	0601328	FORD	457
40160-VW000	0404643	NISSAN	1000	4050675	0303827	FORD	474
40160-W1000	0401225	NISSAN	932, 944, 986	4056A014	0501767	HYUNDAI	563
40160-W1001	0401225	NISSAN	932, 944, 986	4056A014	0501767	MINITUBISHI	873-874, 881- 882, 912-913
40160-W2200	0401225	NISSAN	932, 944, 986	4056A021	0502803	MINITUBISHI	875
40160-W5000	0403555	NISSAN	929, 986, 989, 1004	4056A037	0504133	MINITUBISHI	887
40160-Y02G0	0403586	NISSAN	922, 992, 997	4056A038 *	0183623-K	MINITUBISHI	874
401611363R	0401536	NISSAN	955	4056A038	0183623	MINITUBISHI	874
401611363R	0401536	OPEL	1051	4056A052	0904165	FORD	445, 448
40161-48W00	0490146	NISSAN	934, 964, 966, 998	4056A052	0904165	SMART	1402
40161-48W25	0490146	NISSAN	934, 964, 966, 998	4056A133	0594142	MINITUBISHI	911
40161-9C500	0494179	NISSAN	985	4056A134	0584142	MINITUBISHI	911
40161-B9500	0490146	NISSAN	934, 964, 966, 998	4056A161	0504596	MINITUBISHI	875, 887
40161-D0125	0493567	NISSAN	929	405909	0280037	CITROEN	292
40161-F1700	0490146	NISSAN	934, 964, 966, 998	405909	0280037	FIAT	387-388, 398, 410
40161-T3060	0490146	NISSAN	934, 964, 966, 998	405909	0280037	LANCIA	674
4018A3	0281143	CITROEN	288	405909	0280037	MASERATI	706
4018A3	0281143	FIAT	359	405909	0280037	PEUGEOT	1150
4018A3	0281143	PEUGEOT	1072	405909	0280037	VOLVO	1739
4018A4	0601139	CITROEN	288	405912	0283815	CITROEN	276
4018A4	0601139	FIAT	359	405912	0283815	PEUGEOT	1151
4018A4	0601139	PEUGEOT	1072	4059921	0993868	FORD	495
4018A5 *	0900489	CITROEN	288	4059922	0983868	FORD	495
4018A5 *	0900489	FIAT	359	4059923	0693868	FORD	495
4018A5 *	0900489	PEUGEOT	1072	4059924	0683868	FORD	495
4018A5	1211310	CITROEN	288	406015	1211110	CITROEN	249, 251, 277, 294, 299-300, 302, 309, 311, 313
4018A5	1211310	FIAT	359	406015	1211110	PEUGEOT	1080, 1083, 1088, 1095, 1106-1108, 1110, 1112, 1114, 1139
4018A5	1211310	PEUGEOT	1072	406015	1211110	TALBOT	1446, 1449
4018E0	0282323	CITROEN	288	406020	1211110	CITROEN	249, 251, 277, 294, 299-300, 302, 309, 311, 313
4018E0	0282323	FIAT	359	406020	1211110	PEUGEOT	1080, 1083, 1088, 1095, 1106-1108, 1110, 1112, 1114, 1139
4018E0	0282323	PEUGEOT	1072	406020	1211110	TALBOT	1446, 1449
4018H4	0281143	CITROEN	288	4063812	0190027	FIAT	412-413, 419
4018H4	0281143	FIAT	359	4066.A0	0905741	PEUGEOT	1140
4018H4	0281143	PEUGEOT	1072	406603 *	0901615	PEUGEOT	1127
402027	1216324	OPEL	1023-1024, 1070	406603	1211116	PEUGEOT	1127
402041	1216325	CHEVROLET - DAEWOO 221		406608	1211117	PEUGEOT	1137
402041	1216325	OPEL	1023-1024	406609	1211259	PEUGEOT	1094, 1106
402052	1216324	OPEL	1023-1024, 1070	406610	1211118	PEUGEOT	1137
402071	1216325	CHEVROLET - DAEWOO 221		406614	1211109	PEUGEOT	1087
402071	1216325	OPEL	1023-1024	406615 *	0901546	CITROEN	251, 311
40213B	0600841	TALBOT	1443, 1445, 1448, 1451	406615 *	0901546	PEUGEOT	1080, 1083, 1095, 1108, 1112, 1114, 1125
402952	1216428	OPEL	1021				
404014	1215430	CITROEN	301				
404014	1215430	PEUGEOT	1087-1088				
4041450	1215677	FORD	495-496				
4041454	0403869	FORD	495, 498				
4041489	1214192	FORD	496				
4041494 *	0903870	FORD	496				
4041494	0503870	FORD	496				

RIF. ORIG. O.E. NUMBER	RIF. OCAP OCAP REF.	MARCA MAKE	PAG.	RIF. ORIG. O.E. NUMBER	RIF. OCAP OCAP REF.	MARCA MAKE	PAG.
406615 *	0901609	PEUGEOT	1088, 1095, 1106-1108, 1110, 1112, 1114, 1125, 1139	406633 *	0900310	PEUGEOT	1090
406615 *	0901609	TALBOT	1446, 1449	406633	1211256	PEUGEOT	1090
406615 *	0904100	PEUGEOT	1139	406634 *	0900311	PEUGEOT	1090
406615	1211110	CITROEN	249, 251, 277, 294, 299-300, 302, 309, 311, 313	406634	1211228	CITROEN	242, 296
406615	1211110	PEUGEOT	1080, 1083, 1088, 1095, 1106-1108, 1110, 1112, 1114, 1125, 1139	406634	1211258	PEUGEOT	1090
406615	1211110	TALBOT	1446, 1449	406636	1211294	CITROEN	242, 296
406617 *	0904100	PEUGEOT	1139	406637 *	0901309	PEUGEOT	1130
406617	1211263	PEUGEOT	1139	406637	1211077	PEUGEOT	1130, 1144
406618 *	0901169	CITROEN	279	406637	1211177	CITROEN	303
406618 *	0901169	FIAT	357	406641 *	0901168	PEUGEOT	1150
406618 *	0901169	PEUGEOT	1077, 1079	406641	1211264	PEUGEOT	1150
406618	1211063	CITROEN	279	406642	1211195	PEUGEOT	1130, 1132, 1146
406618	1211063	FIAT	357	406643 *	0901611	PEUGEOT	1080
406618	1211063	PEUGEOT	1077, 1079	406643	1211209	CITROEN	247, 249, 307, 309
406619	1211064	CITROEN	279	406643	1211209	PEUGEOT	1080, 1116
406619	1211064	FIAT	357	406644 *	0901611	PEUGEOT	1080
406619	1211064	PEUGEOT	1077, 1079	406644	1211208	CITROEN	247, 249, 307, 309
406620 *	0901546	CITROEN	251, 311	406644	1211208	PEUGEOT	1080, 1116
406620 *	0901546	PEUGEOT	1080, 1083, 1095, 1108, 1112, 1114, 1125	406648	1211189	CITROEN	296
406620 *	0901609	PEUGEOT	1088, 1106- 1108, 1110, 1112, 1114, 1125, 1139	406648	1211189	PEUGEOT	1090
406620	0901679	CITROEN	313	406650	1211295	CITROEN	244, 296
406620	1211110	PEUGEOT	1125	406650	1211295	PEUGEOT	1090
406621 *	0901681	CITROEN	305	406656 *	0900484	PEUGEOT	1097
406621 *	0901681	PEUGEOT	1146	406656	1211307	PEUGEOT	1097
406622 *	0901546	CITROEN	251, 311	406657 *	0900485	PEUGEOT	1097, 1119
406622 *	0901546	PEUGEOT	1080, 1083, 1095, 1108, 1112, 1114, 1125	406657	1211306	PEUGEOT	1097, 1119
406622	1211114	CITROEN	247, 249, 251, 307, 309, 311	406664 *	0901512	CITROEN	271
406622	1211114	PEUGEOT	1080, 1083, 1095, 1108, 1112, 1114, 1116, 1125	406664 *	0901856	PEUGEOT	1148
406627 *	0901130	PEUGEOT	1128	406664	1211375	CITROEN	271
406627	1211261	PEUGEOT	1128	406664	1211375	PEUGEOT	1148
406628 *	0901129	PEUGEOT	1128	406669 *	1211401	PEUGEOT	1086
406628	1211262	PEUGEOT	1128	406669	0901508	CITROEN	257
406629 *	0901681	CITROEN	305	406669	0901508	PEUGEOT	1086
406629 *	0901681	PEUGEOT	1146	406670 *	1211601	CITROEN	276
406629	1211178	CITROEN	305	406670 *	1211601	PEUGEOT	1151
406629	1211299	PEUGEOT	1146	406670	0903816	CITROEN	276
406630 *	0901681	CITROEN	305	406670	0903816	PEUGEOT	1151
406630 *	0901681	PEUGEOT	1146	406671	0994383	CITROEN	274
406630	1211196	PEUGEOT	1130, 1132, 1144, 1146	406671	0994383	PEUGEOT	1134
406630	1211227	CITROEN	303, 305	406672	0984383	PEUGEOT	1134
406632	1211170	CITROEN	242, 244, 296	406680 *	1211606	CITROEN	261
406632	1211170	PEUGEOT	1090	406680 *	1211606	PEUGEOT	1100
				406680	0902394	CITROEN	261, 286
				406680	0902394	PEUGEOT	1100, 1102, 1105
				406682	0903147	CITROEN	253, 264, 268
				406682	0903147	PEUGEOT	1085, 1121
				406683 *	1211477	CITROEN	293
				406683 *	1211477	PEUGEOT	1076
				406683	0902733	CITROEN	293
				406683	0902733	PEUGEOT	1076
				406684	0908077	CITROEN	285
				406684	0908077	MITSUBISHI	888, 902
				406684	0908077	PEUGEOT	1153
				406685 *	1211584	CITROEN	253, 264
				406685 *	1211584	PEUGEOT	1085, 1121
				406685	0903147	CITROEN	253, 264, 268
				406685	0903147	PEUGEOT	1085, 1121
				406688	0905171	CITROEN	272
				406688	0905171	PEUGEOT	1142
				406691	0902753	CITROEN	295
				406691	0902753	FIAT	365, 368

RIF. ORIG. O.E. NUMBER	RIF. OCAP OCAP REF.	MARCA MAKE	PAG.	RIF. ORIG. O.E. NUMBER	RIF. OCAP OCAP REF.	MARCA MAKE	PAG.
406691	0902753	PEUGEOT	1071	4143330114	1215706	MERCEDES	844
406695	0902753	CITROEN	295	4143330127	0404267	MERCEDES	844
406695	0902753	FIAT	365, 368	4143330135	0284269	MERCEDES	844
406695	0902753	PEUGEOT	1071	4143330227	0404267	MERCEDES	844
406697 *	1211614	CITROEN	258	4143330235	0294269	MERCEDES	844
406697	0904600	CITROEN	258	4144600005	0294269	MERCEDES	844
4066A0	0905741	PEUGEOT	1140	4144600105	0284269	MERCEDES	844
4084-99-324B	0291265	MAZDA	715, 723	4144600205 *	0604270	MERCEDES	844
4097368	0603968	FORD	463-464, 466	4144600205	0604270-K	MERCEDES	844
4097368	0603968	MAZDA	746	4150178	0400007	FIAT	403
4100024	0180027	FIAT	409, 411-413, 419	4153200089 *	0603213	MERCEDES	839
4100057	0180027	FIAT	409, 412-413, 419	4153200089 *	0603213	RENAULT	1201
4100998	0180001	FIAT	403, 414, 419	4153200089	0603213-K	MERCEDES	839
4100998	0180001	ZASTAVA	1746	4153200089	0603213-K	RENAULT	1201
4101815	0500022	FIAT	414	4153200189	0503898	MERCEDES	839
4104085	0190002	FIAT	403, 414, 419	4153200189	0503898	RENAULT	1201, 1218
4104085	0190002	ZASTAVA	1746	4153300200 *	0483214	MERCEDES	839
4104851	0790585	FIAT	409	4153300200 *	0483214	RENAULT	1201
4104852	0780585	FIAT	409	4153300200 **	1215955	MERCEDES	839
4104861	0400006	FIAT	409, 411	4153300200 **	1215955	RENAULT	1201
4104863	0400005	FIAT	403, 409, 411	4153300200	0783214	MERCEDES	839
4105084	0500020	FIAT	419	4153300200	0783214	RENAULT	1201
4109610	0500332	FIAT	409, 411	4153300300 *	0493214	MERCEDES	839
4109626	0190051	FIAT	409, 411	4153300300 *	0493214	RENAULT	1201
4111327	0601772	FORD	468	4153300300 **	1215954	MERCEDES	839
4113746	0190027	FIAT	412-413, 419	4153300300 **	1215954	RENAULT	1201
4117875	0180027	FIAT	409, 412-413, 419	4153300300	0793214	MERCEDES	839
4117A005	0708839	CITROEN	266, 285	4154600005	0293212	RENAULT	1201
4117A005	0708839	MITSUBISHI	867, 889, 902	4154600096 *	1211585	MERCEDES	839
4117A005	0708839	PEUGEOT	1153, 1155	4154600096 *	1211585	RENAULT	1201
4117A007	0708839	CITROEN	266, 285	4154600096	0903212	MERCEDES	839
4117A007	0708839	MITSUBISHI	867, 889, 902	4154600096	0903212	RENAULT	1201
4117A007	0708839	PEUGEOT	1153, 1155	4154600105	0283212	MERCEDES	839
4118933	0281771	FORD	468	4154600105	0283212	RENAULT	1201
4119133	0100028	FIAT	419	4156A014	0508077	CITROEN	266, 285
4119193 *	0901772	FORD	468	4156A014	0508077	MITSUBISHI	867, 889, 902, 904
4119193	1211346	FORD	422, 463, 468	4156A014	0508077	PEUGEOT	1153, 1155
4120734	0403869	FORD	495, 498	4156A014	0598077	CITROEN	266, 285
4123955	0180504	FIAT	413	4156A014	0598077	MITSUBISHI	867, 902, 904
4129667	0180503	FIAT	413	4156A014	0598077	PEUGEOT	1153, 1155
4129668	0180503	FIAT	413	4159398	0780586	FIAT	409
4130528	0400506	FIAT	413	4159399	0790586	FIAT	409
4131788	1215677	FORD	495-496	4164518	0783869	FORD	495
4133882	0786491	FORD	463	4164522	0793869	FORD	495
4133882	0786491	MAZDA	746	4168857	0500332	FIAT	409, 411
4133883	0796491	FORD	463	4173761	0403869	FORD	495, 498
4133883	0796491	MAZDA	746	4177788 *	0901072	FIAT	363, 386
4134516	0500023	FIAT	403	4180663 *	0505586	FORD	476
4134805 *	0505586	FORD	476	4193224	0180027	FIAT	411
4140393	0783869	FORD	495	4194718	1215090	ALFA ROMEO	14-15
4140394	0793869	FORD	495	4194718	1215090	FIAT	349
4140985	0400006	FIAT	409, 411	4194718	1215090	LANCIA	668
4143200189	0504271	MERCEDES	844	4194718	1215090	SAAB	1306
4143200389	0504271	MERCEDES	844	4218233	0180002	FIAT	403
4143300035 *	0904270	MERCEDES	844	4225354	0300001	SEAT	1323
4143300035 **	1211418	MERCEDES	844	4226335 *	0305762	FIAT	407
4143300035	0604270-K	MERCEDES	844	4226335 *	0305762	ZASTAVA	1746
4143300307	0794267	MERCEDES	844	4226335	0300002	FIAT	407
4143300407	0784267	MERCEDES	844	4226335	0300002	ZASTAVA	1746
4143300507	0794267	MERCEDES	844	423008	0702133	OPEL	1064
4143300607	0784267	MERCEDES	844	423033	0702133	OPEL	1064
4143330014	1215707	MERCEDES	844	423035	0702133	OPEL	1064

RIF. ORIG. O.E. NUMBER	RIF. OCAP OCAP REF.	MARCA MAKE	PAG.	RIF. ORIG. O.E. NUMBER	RIF. OCAP OCAP REF.	MARCA MAKE	PAG.	
423042	0395170	OPEL	1038	4242749 *	0592544	VAUXHALL	1542	
423042	0395170	SAAB	1304	4242749	0290058	OPEL	1015	
423043	0385170	OPEL	1038	4242749	0290058	SAAB	1298	
423043	0385170	SAAB	1304	4242749	0290058	VAUXHALL	1542	
423071	0385170	OPEL	1038	4242756 *	0582544	OPEL	1015	
423071	0385170	SAAB	1304	4242756 *	0582544	SAAB	1298	
423073	0395170	OPEL	1038	4242756 *	0582544	VAUXHALL	1542	
423073	0395170	SAAB	1304	4242756	0280058	OPEL	1015	
42311-60A00 *	0183623-K	SUZUKI	1428, 1440	1439-	4242756	0280058	SAAB	1298
42311-60A00	0183623	SUZUKI	1428, 1440	1439-	4242756	0280058	VAUXHALL	1542
423121	0401517	OPEL	1062	42451-76G00	1215557	OPEL	1009	
423121	0401517	VAUXHALL	1566	42451-76G00	1215557	SUZUKI	1441	
4233064	1249265	AUTOBIANCHI	126	4246112 *	0184166-K	SAAB	1298	
4233064	1249265	FIAT	406, 408	4248431 *	1215674	SAAB	1298	
4233064	1249265	SEAT	1323	4248431 **	1215673	SAAB	1298	
423316	1216166	OPEL	1062	4248431	0393866	SAAB	1298	
423316	1216166	SAAB	1302	4248449 *	1215674	SAAB	1298	
42342	0190857	TALBOT	1442	4248449 **	1215673	SAAB	1298	
42342547	0505594	CHEVROLET - DAEWOO 219		4248449	0383866	SAAB	1298	
42342A	0190857	TALBOT	1442	42532977	0607552	IVECO	588	
423551	1216015	OPEL	1038	42534911	0287552	IVECO	587-588	
423551	1216015	SAAB	1304	4254278	0280009	FIAT	407	
423552	1216014	OPEL	1038	4254278	0280009	ZASTAVA	1746	
423552	1216014	SAAB	1304	4254519	0280291	FIAT	405	
4240587	1214013	AUTOBIANCHI	126	4254519	0280291	SEAT	1323	
4240587	1214013	FIAT	406, 408	4254520	0280291	FIAT	405	
4240587	1214013	SEAT	1323	4254520	0280291	SEAT	1323	
4240587	1214013	ZASTAVA	1746	4254523	0280292	AUTOBIANCHI	125	
42420-59J00	0501376	ALFA ROMEO	27	42551289	0797250	IVECO	589	
42420-59J00	0501376	FIAT	390	42551290	0787250	IVECO	589	
42420-59J00	0501376	SUZUKI	1432, 1438	1437-	42551296	0797249	IVECO	589
42420-60A00 *	0183623-K	SUZUKI	1428, 1440	1439-	42551297	0787249	IVECO	589
42420-60A00	0183623	SUZUKI	1428, 1440	1439-	42569562	0289426	IVECO	591
42420-62J00	0503140	OPEL	1010	42569563	0289425	IVECO	591	
42420-62J00	0503140	SUZUKI	1436	42569566	0609422	IVECO	591	
42420-62J00	0503140	VAUXHALL	1539	4257019	0280292	AUTOBIANCHI	125	
42420-65D00 *	0183623-K	SUZUKI	1428, 1440	1439-	4257066	0280291	FIAT	405
42420-65D00	0183623	SUZUKI	1428, 1440	1439-	4257066	0280291	SEAT	1323
42420-65J00	0503127	SUZUKI	1429	4264735	0280290	FIAT	402, 404	
42420-77A00	0502992	SUZUKI	1427	4278319	0790587	FIAT	411	
42420-80J00	0501376	ALFA ROMEO	27	4278320	0780587	FIAT	411	
42420-80J00	0501376	FIAT	390	4288726	1214003	AUTOBIANCHI	127	
42420-80J00	0501376	SUZUKI	1432, 1438	1437-	4288726	1214003	FIAT	376
42420-81A10	0502786	SUZUKI	1431	4292059	1214002	AUTOBIANCHI	125	
42420-85C00 *	0183623-K	SUZUKI	1428, 1440	1439-	4292059	1214002	FIAT	405, 407
42420-85C00	0183623	SUZUKI	1428, 1440	1439-	4292059	1214002	ZASTAVA	1746
42420-M68K00	0502688	SUZUKI	1424	4302207	0783892	OPEL	1034	
4242673	0290059	OPEL	1015	4302208	0793892	OPEL	1034	
4242673	0290059	SAAB	1298	4302209	0403892	OPEL	1034	
4242673	0290059	VAUXHALL	1542	4302450	0780586	FIAT	409	
4242681	0280059	OPEL	1015	43068-87401	0782460	DAIHATSU	336	
4242681	0280059	SAAB	1298	43069-87401	0792460	DAIHATSU	336	
4242681	0280059	VAUXHALL	1542	431407151F	0302020	AUDI	120	
4242731	0900060	SAAB	1298	431407181F	1215110	AUDI	101, 120, 122	
4242749 *	0592544	OPEL	1015	431407183A	1215108	AUDI	101, 120, 122	
4242749 *	0592544	SAAB	1298	431419801G	0502018	AUDI	119	
				431419802G	0502017	AUDI	119	
				431419811A	0182019	AUDI	119	
				431419831	1211185	AUDI	64, 101, 121, 123	
				4318655	0600408	AUTOBIANCHI	125	
				4318655	0600408	FIAT	375, 402, 404-405, 407	
				4318655	0600408	INNOCENTI	577	
				4318655	0600408	SEAT	1323, 1350,	

RIF. ORIG. O.E. NUMBER	RIF. OCAP OCAP REF.	MARCA MAKE	PAG.	RIF. ORIG. O.E. NUMBER	RIF. OCAP OCAP REF.	MARCA MAKE	PAG.
			1357	43330-09160	0484338	TOYOTA	1467, 1522
4318655	0600408	ZASTAVA	1746	43330-09210	0402590	TOYOTA	1459
4322906	0280037	CITROEN	292	43330-09295	0404149	TOYOTA	1505, 1507
4322906	0280037	FIAT	387-388, 398, 410	43330-09330	0488671	LEXUS	698
4322906	0280037	LANCIA	674	43330-09360	0405189	TOYOTA	1485
4322906	0280037	MASERATI	706	43330-09490	0404149	TOYOTA	1505, 1507
4322906	0280037	PEUGEOT	1150	43330-09510	0404149	TOYOTA	1505, 1507
4322906	0280037	VOLVO	1739	43330-09580	0488671	LEXUS	698
4322913	0600409	FIAT	385, 410	43330-09590	0488671	LEXUS	698
4322913	0600409	MASERATI	706	43330-09630	0403095	TOYOTA	1457, 1474, 1484, 1526- 1527, 1535
4322913	0600409	SEAT	1324, 1354	43330-09770	0403096	TOYOTA	1460
4325409	1215384	FIAT	403, 409	43330-19025	0403678	TOYOTA	1517-1518, 1533
4327144	0190051	FIAT	411	43330-19045	0403680	TOYOTA	1479, 1530
4328913	0100028	FIAT	419	43330-19065	0483666	TOYOTA	1480
4330628	1211409	FORD	440	43330-19066	0483666	TOYOTA	1480
43308-12020	0403728	TOYOTA	1529	43330-19085	0482964	TOYOTA	1519, 1530
43308-12030	0400963	DAIHATSU	325	43330-19095	0403671	TOYOTA	1458, 1471, 1481, 1492, 1520
43308-12030	0400963	TOYOTA	1464, 1468, 1475-1476, 1478, 1488- 1489	43330-19115	0402997	TOYOTA	1473, 1482- 1483, 1523, 1525
43308-16010	0403674	TOYOTA	1532	43330-19245	0403095	TOYOTA	1457, 1474, 1484, 1526- 1527, 1535
43308-19035	0400963	DAIHATSU	325	43330-29035	0403685	TOYOTA	1486
43308-19035	0400963	TOYOTA	1464, 1468, 1475-1476, 1478, 1488- 1489	43330-29056	0403688	TOYOTA	1487
43308-20030	0403685	TOYOTA	1486	43330-29066	0403688	TOYOTA	1487
43310-09015	0405200	TOYOTA	1505, 1507	43330-29105	0403766	TOYOTA	1455, 1503- 1504
43310-09030	0405200	TOYOTA	1505, 1507	43330-29115	0403758	TOYOTA	1515-1516, 1528
43310-0K010	0405200	TOYOTA	1505, 1507	43330-29125	0403785	TOYOTA	1497-1499
43310-0K040	0405200	TOYOTA	1505, 1507	43330-29135	0403643	TOYOTA	1469, 1478, 1490-1491
43310-39016	0402621	TOYOTA	1456, 1511	43330-29136	0403643	TOYOTA	1469, 1478, 1490-1491
43310-39065	0402621	TOYOTA	1456, 1511	43330-29137	0403643	TOYOTA	1469, 1478, 1490-1491
43310-60010	0404558	TOYOTA	1512-1513	43330-29138	0403643	TOYOTA	1469, 1478, 1490-1491
43310-60020	0404558	TOYOTA	1512-1513	43330-29139	0403643	TOYOTA	1469, 1478, 1490-1491
43310-60030	0404558	TOYOTA	1512-1513	43330-29140	0403629	TOYOTA	1464-1465
43310-60050	0404558	TOYOTA	1512-1513	43330-29145	0403645	TOYOTA	1470, 1472, 1491-1492
4331252 *	0305764	FIAT	410	43330-29146	0403645	TOYOTA	1470, 1472, 1491-1492
4331252 **	0400401	FIAT	410	43330-29155	0403785	TOYOTA	1497-1499
4331252 **	0400401	MASERATI	706	43330-29175	0403758	TOYOTA	1515-1516, 1528
4331252	0300401	FIAT	410	43330-29185	0403645	TOYOTA	1470, 1472, 1491-1492
4331968 *	0901527	CITROEN	280	43330-29205	0403643	TOYOTA	1469, 1478, 1490-1491
4331968	1214001	CITROEN	280	43330-29215	0403766	TOYOTA	1455, 1503- 1504
4331968	1214001	FIAT	358, 410	43330-29235	0404324	TOYOTA	1521
4331968	1214001	PEUGEOT	1078	43330-29265	0403671	TOYOTA	1458, 1471, 1481, 1492, 1520
4332457 *	0305761	AUTOBIANCHI	125	43330-29295	0403785	TOYOTA	1497-1499
4332457 *	0305761	FIAT	405	43330-29305	0403766	TOYOTA	1455, 1503- 1504
4332457 *	0305761	SEAT	1323	43330-29345	0403766	TOYOTA	1455, 1503-
4332457	0300001	AUTOBIANCHI	125				
4332457	0300001	FIAT	405				
43330-02020	0403671	TOYOTA	1458, 1471, 1481, 1492, 1520				
43330-09030	0403671	TOYOTA	1458, 1471, 1481, 1492, 1520				
43330-09050	0402776	LEXUS	703				
43330-09050	0402776	TOYOTA	1466				
43330-09070	0402997	TOYOTA	1473, 1482- 1483, 1523, 1525				
43330-09090	0402997	TOYOTA	1473, 1482- 1483, 1523, 1525				
43330-09160	0484338	LEXUS	704				

RIF. ORIG. O.E. NUMBER	RIF. OCAP OCAP REF.	MARCA MAKE	PAG.	RIF. ORIG. O.E. NUMBER	RIF. OCAP OCAP REF.	MARCA MAKE	PAG.
			1504				1501
43330-29375	0403671	TOYOTA	1458, 1471, 1481, 1492, 1520	43340-39125	0403712	TOYOTA	1493-1495
				43340-39135	0403712	TOYOTA	1493-1495
43330-29405	0484338	LEXUS	704	43340-39145	0400428	TOYOTA	1503
43330-29405	0484338	TOYOTA	1467, 1522	43340-39175	0403766	TOYOTA	1455, 1503- 1504
43330-29515	0403785	TOYOTA	1497-1499	43340-39205	0403712	TOYOTA	1493-1495
43330-29535	0403785	TOYOTA	1497-1499	43340-39215	0403712	TOYOTA	1493-1495
43330-29615	0484338	LEXUS	704	43340-39225	0403715	TOYOTA	1503-1504
43330-29615	0484338	TOYOTA	1467, 1522	43340-39235	0403766	TOYOTA	1455, 1503- 1504
43330-39045	0400429	TOYOTA	1496, 1500- 1501	43340-39254	0402973	TOYOTA	1504
43330-39075	0400429	TOYOTA	1496, 1500- 1501	43340-39325	0492622	TOYOTA	1456, 1511
				43340-39345	0499285	LEXUS	699
43330-39135	0403629	TOYOTA	1464-1465	43340-39356	0492622	TOYOTA	1456, 1511
43330-39165	0400428	TOYOTA	1503	43340-39415	0499285	LEXUS	699
43330-39195	0403766	TOYOTA	1455, 1503- 1504	43340-39465	0492622	TOYOTA	1456, 1511
				43340-39505	0495497	LEXUS	702
43330-39245	0403715	TOYOTA	1503-1504	43340-39545	0498671	LEXUS	698
43330-39255	0403766	TOYOTA	1455, 1503- 1504	43340-39605	0498671	LEXUS	698
				43340-59065	0499282	LEXUS	700
43330-39265	0402973	TOYOTA	1504	43340-59066	0499282	LEXUS	700
43330-39275	0403629	TOYOTA	1464-1465	43340-59135	0499282	LEXUS	700
43330-39285	0402776	LEXUS	703	43340-87501	0493319	DAIHATSU	331
43330-39285	0402776	TOYOTA	1466	43340-87580	0493319	DAIHATSU	331
43330-39295	0403715	TOYOTA	1503-1504	43340-87581	0493320	DAIHATSU	331
43330-39315	0402973	TOYOTA	1504	433419801E	0593004	AUDI	119, 121
43330-39345	0403629	TOYOTA	1464-1465	433419802E	0583004	AUDI	119, 121
43330-39415	0482622	TOYOTA	1456, 1511	43350-29025	0403770	TOYOTA	1496
43330-39435	0402776	LEXUS	703	43350-29035	0402974	TOYOTA	1515-1516
43330-39435	0402776	TOYOTA	1466	43350-29035	0403757	TOYOTA	1528
43330-39445	0403715	TOYOTA	1503-1504	43350-29036	0402974	TOYOTA	1515-1516
43330-39455	0489285	LEXUS	699	43350-29036	0403757	TOYOTA	1528
43330-39466	0482622	TOYOTA	1456, 1511	43350-29045	0403784	TOYOTA	1497
43330-39535	0489285	LEXUS	699	43350-29056	0403784	TOYOTA	1497
43330-39585	0482622	TOYOTA	1456, 1511	43350-29065	0402972	TOYOTA	1498
43330-39625	0485497	LEXUS	702	43350-29095	0402972	TOYOTA	1498
43330-39775	0488671	LEXUS	698	43350-39015	0400431	TOYOTA	1493-1494, 1500-1501
43330-39845	0488671	LEXUS	698	43350-39016	0400431	TOYOTA	1493-1494, 1500-1501
43330-49025	0404411	TOYOTA	1524	43350-39025	0400431	TOYOTA	1493-1494, 1500-1501
43330-49095	0403095	TOYOTA	1457, 1474, 1484, 1526- 1527, 1535	43350-39035	0400430	TOYOTA	1503
				43350-39065	0400431	TOYOTA	1493-1494, 1500-1501
43330-59065	0489282	LEXUS	700	43350-39075	0400430	TOYOTA	1503
43330-59066	0489282	LEXUS	700	43350-87501	0483318	DAIHATSU	331
43330-59135	0489282	LEXUS	700	43360-29055	0402974	TOYOTA	1515-1516
43330-87501	0483319	DAIHATSU	331	43360-29055	0403757	TOYOTA	1528
43330-87580	0483319	DAIHATSU	331	43360-29056	0402974	TOYOTA	1515-1516
43330-87581	0483320	DAIHATSU	331	43360-29056	0403757	TOYOTA	1528
43340-09010	0494338	TOYOTA	1467, 1522	43360-29065	0403784	TOYOTA	1497
43340-09040	0498671	LEXUS	698	43360-29076	0403784	TOYOTA	1497
43340-09100	0498671	LEXUS	698	43360-87501	0493318	DAIHATSU	331
43340-19015	0493666	TOYOTA	1480	4336779	0280513	CITROEN	279
43340-19016	0493666	TOYOTA	1480	4336779	0280513	FIAT	357
43340-19025	0492964	TOYOTA	1519, 1530	4336779	0280513	PEUGEOT	1077
43340-29015	0403685	TOYOTA	1486	43370-87501	0483318	DAIHATSU	331
43340-29026	0403688	TOYOTA	1487	4337760 *	0305762	FIAT	407
43340-29036	0403688	TOYOTA	1487	4337760 *	0305762	ZASTAVA	1746
43340-29095	0403758	TOYOTA	1515-1516, 1528	4337760	0300002	FIAT	407
				4337760	0300002	ZASTAVA	1746
43340-29105	0403785	TOYOTA	1497-1499	4338056 *	0305761	AUTOBIANCHI	125
43340-29175	0494338	LEXUS	704	4338056 *	0305761	FIAT	405
43340-29175	0494338	TOYOTA	1467, 1522	4338056 *	0305761	SEAT	1323
43340-29215	0494338	LEXUS	704				
43340-29215	0494338	TOYOTA	1467, 1522				
43340-39075	0400429	TOYOTA	1496, 1500-				

RIF. ORIG. O.E. NUMBER	RIF. OCAP OCAP REF.	MARCA MAKE	PAG.	RIF. ORIG. O.E. NUMBER	RIF. OCAP OCAP REF.	MARCA MAKE	PAG.
4338056	0300001	AUTOBIANCHI	125	4391814	0390405	CITROEN	280
4338056	0300001	SEAT	1323	4391814	0390405	FIAT	358
43380-87501	0493318	DAIHATSU	331	4391814	0390405	PEUGEOT	1078
4339248	1215388	CITROEN	279	4401813 *	0901291	FIAT	376
4339248	1215388	FIAT	357	4401813 *	0901291	SEAT	1351
4339248	1215388	PEUGEOT	1077	4401813	0701290	FIAT	376
4342539	0603820	FORD	440	4401813	0701290	SEAT	1351
4342539	0603820	MAZDA	710	4401910	0401523	OPEL	1050
4343760	0190051	FIAT	409, 411	4402277	0280293	FIAT	375
4343762	0180027	FIAT	411	4402277	0280293	INNOCENTI	577
4346344	0503872	FORD	497	4402277	0280293	SEAT	1350
4347357 *	0184166-K	SAAB	1298	4402360 *	0305763	FIAT	408
4355787	0400005	FIAT	403, 409, 411	4402360 *	0305763	SEAT	1324, 1354
4355946 *	1215268	FIAT	411	4402360	0300003	FIAT	408
4355946	0780588	FIAT	411	4402360	0300003	SEAT	1324, 1354
4355947	0790588	FIAT	411	4402361 *	0305763	FIAT	408
4356569	0400007	LANCIA	661	4402361 *	0305763	SEAT	1324, 1354
4361667	0280291	FIAT	405	4402361	0300003	FIAT	408
4361667	0280291	SEAT	1323	4402361	0300003	SEAT	1324, 1354
4361668	0280291	FIAT	405	4402361	0300004	FIAT	386
4361668	0280291	SEAT	1323	4402362	1214005	FIAT	363, 386, 408
4361669	0280291	FIAT	405	4402362	1214005	SEAT	1324, 1354
4361669	0280291	SEAT	1323	4402649 *	0400406	AUTOBIANCHI	127
4362470	0300001	FIAT	405	4402649 *	0400406	FIAT	375, 401
4364092 *	0305762	FIAT	407	4402649 *	0400406	SEAT	1351
4364092 *	0305762	ZASTAVA	1746	4402649	0400405	AUTOBIANCHI	127
4364092	0300002	FIAT	407	4402649	0400405	FIAT	375, 401
4364092	0300002	ZASTAVA	1746	4402649	0400405	SEAT	1351
4364095 *	0305761	AUTOBIANCHI	125	4402672 *	1214003	SEAT	1351
4364095 *	0305761	FIAT	405	4402672	0300404	AUTOBIANCHI	127
4364095 *	0305761	SEAT	1323	4402672	0300404	FIAT	376
4364095	0300001	AUTOBIANCHI	125	4402672	0300404	SEAT	1351
4364095	0300001	FIAT	405	4402674	1249279	FIAT	376
4364095	0300001	SEAT	1323	4402675	1249278	FIAT	376
4365569	0400007	FIAT	403	4404048	0381494	NISSAN	939
4366976	1215736	FORD	485	4404048	0381494	OPEL	1049
4367012	0504342	FORD	485	4404048	0381494	RENAULT	1209
4371155	1211060	AUTOBIANCHI	125, 127	4404048	0381494	VAUXHALL	1561
4371155	1211060	FIAT	363-364, 375, 385, 400, 402, 404-405, 407	4404623	1215092	AUTOBIANCHI	126
4371155	1211060	LANCIA	654-655	4404623	1215092	FIAT	363, 406
4371156	1211059	AUTOBIANCHI	125, 127	4408138	0700575	AUTOBIANCHI	127
4371156	1211059	FIAT	363-364, 375, 385, 400, 402, 404-405, 407	4408138	0700575	FIAT	375
4371156	1211059	LANCIA	654	4408252	0401524	NISSAN	955
4372130	0783869	FORD	495	4408252	0401524	OPEL	1051
4372131	0793869	FORD	495	4408252	0401524	RENAULT	1211
4372132	1215678	FORD	495-496	4408474 *	0604424	NISSAN	954, 972
4373921	1211093	FIAT	410	4408474 *	0604424	OPEL	1065, 1067
4373922	1211092	FIAT	410	4408474 *	0604424	RENAULT	1267, 1269
437407151A	0390301	AUDI	120, 122	4408474 *	0604424	VAUXHALL	1570
437407152A	0380301	AUDI	120, 122	4408474	0604424-K	NISSAN	954
437407155A	0390301	AUDI	120, 122	4408474	0604424-K	OPEL	1065, 1067
437407156A	0380301	AUDI	120, 122	4408474	0604424-K	RENAULT	1267, 1269
4381840	0284339	FORD	485	4408474 *	1211589	OPEL	1065, 1067
4381841	1211431	FORD	485	4408476 *	1211589	VAUXHALL	1570
4381927	0403869	FORD	495, 498	4408476	0903807	NISSAN	954
4388159	0400097	CITROEN	280	4408476	0903807	OPEL	1065, 1067
4388159	0400097	FIAT	358	4408476	0903807	RENAULT	1267, 1269
4388159	0400097	PEUGEOT	1078	4408476	0903807	VAUXHALL	1570
4391813	0380405	CITROEN	280	4408510	0293875	NISSAN	954, 972
4391813	0380405	FIAT	358	4408510	0293875	OPEL	1065, 1067
4391813	0380405	PEUGEOT	1078	4408510	0293875	RENAULT	1193, 1204, 1267, 1269
				4408510	0293875	VAUXHALL	1570
				4408511	0283875	NISSAN	954, 972

RIF. ORIG. O.E. NUMBER	RIF. OCAP OCAP REF.	MARCA MAKE	PAG.	RIF. ORIG. O.E. NUMBER	RIF. OCAP OCAP REF.	MARCA MAKE	PAG.
4408511	0283875	OPEL	1065, 1067	4418629	0391495	OPEL	1050
4408511	0283875	RENAULT	1193, 1204, 1267, 1269	4418630	0381495	OPEL	1050
4408511	0283875	VAUXHALL	1570	4418631	0401495	OPEL	1050
4408904	0503878	NISSAN	954, 972	4419215 *	1216017	NISSAN	955
4408904	0503878	OPEL	1066-1067	4419215	0391536	NISSAN	955
4408904	0503878	RENAULT	1193, 1204, 1268-1269	4419215	0391536	OPEL	1051
4408904	0503878	VAUXHALL	1570	4419216 *	1216017	NISSAN	955
4408958 **	1215640	NISSAN	954, 972	4419216	0381536	NISSAN	955
4408958 **	1215640	OPEL	1065-1067	4419216	0381536	OPEL	1051
4408958 **	1215640	RENAULT	1193, 1204, 1267-1269	4419217 *	1216016	NISSAN	955
4408958 **	1215640	VAUXHALL	1570	4419217 *	1216016	OPEL	1051
4408958	0793808	NISSAN	972	4419219	0401536	NISSAN	955
4408958	0793808	OPEL	1065	4419219	0401536	OPEL	1051
4408958	0793808	RENAULT	1267	4419219	0401536	RENAULT	1211
4408958	0793808	VAUXHALL	1570	4419291	0501536	NISSAN	955
4408959 *	0403877	NISSAN	972	4419291	0501536	OPEL	1051
4408959 *	0403877	OPEL	1065	4419291	1216017	OPEL	1051
4408959 *	0403877	RENAULT	1193, 1204, 1267	4419291	1216017	RENAULT	1211
4408959 *	0403877	VAUXHALL	1570	4419304	0501496	NISSAN	956
4408959 **	1215641	NISSAN	954, 972	4419304	0501496	OPEL	1052
4408959 **	1215641	OPEL	1065-1067	4420096 *	0601536	NISSAN	955
4408959 **	1215641	RENAULT	1193, 1204, 1267-1269	4420096 *	0601536	OPEL	1051
4408959 **	1215641	VAUXHALL	1570	4420096 *	0601536	RENAULT	1211
4408959	0783808	NISSAN	972	4420096	0901536	NISSAN	955
4408959	0783808	OPEL	1065	4420096	0901536	OPEL	1051
4408959	0783808	RENAULT	1267	4420096	0901536	OPEL	1051
4408959	0783808	VAUXHALL	1570	4420097	0291536	OPEL	1051
4410415	0280294	FIAT	385	4420098	0281536	OPEL	1051
4410415	0280294	SEAT	1324, 1354	4420954	0508881	NISSAN	956
4410A125	0908077	CITROEN	285	4420954	0508881	OPEL	1052
4410A125	0908077	NISSAN	888, 902	4420954	0508881	RENAULT	1212
4410A125	0908077	PEUGEOT	1153	4421646	0384627	NISSAN	972
4410A173	0604125	NISSAN	896	4421646	0384627	OPEL	1066
4410A452	0908077	CITROEN	285	4421646	0384627	RENAULT	1268
4410A452	0908077	NISSAN	888, 902	4421647	0394627	NISSAN	972
4410A452	0908077	PEUGEOT	1153	4421647	0394627	OPEL	1066
441407151C	0393007	AUDI	101, 122	4421647	0394627	RENAULT	1268
441407152C	0383007	AUDI	101, 122	4422269	0383875	NISSAN	954
441407155	0393007	AUDI	101, 122	4422269	0383875	OPEL	1067
441407156	0383007	AUDI	101, 122	4422269	0383875	RENAULT	1269
4417177	0394627	NISSAN	972	4422269*	0403875	NISSAN	954
4417177	0394627	OPEL	1066	4422269*	0403875	OPEL	1067
4417177	0394627	RENAULT	1268	4422269*	0403875	RENAULT	1269
4417178	0384627	NISSAN	972	4422270 *	0403875	NISSAN	954
4417178	0384627	OPEL	1066	4422270 *	0403875	OPEL	1067
4417178	0384627	RENAULT	1268	4422270 *	0403875	RENAULT	1269
4418212	0391494	NISSAN	939	4422270	0393875	NISSAN	954
4418212	0391494	OPEL	1049	4422270	0393875	OPEL	1067
4418212	0391494	RENAULT	1209	4422270	0393875	RENAULT	1269
4418212	0391494	VAUXHALL	1561	4422A009	0294124	NISSAN	896
4418213	0381494	NISSAN	939	4422A010	0284124	MITSUBISHI	896
4418213	0381494	OPEL	1049	4422A012	0608077	CITROEN	285
4418213	0381494	RENAULT	1209	4422A012	0608077	MITSUBISHI	888, 902
4418213	0381494	VAUXHALL	1561	4422A012	0608077	PEUGEOT	1153
4418225	0394627	NISSAN	972	4422A018	0288077	CITROEN	265, 285
4418225	0394627	OPEL	1066	4422A018	0288077	MITSUBISHI	866, 888, 902- 903
4418225	0394627	RENAULT	1268	4422A018	0288077	PEUGEOT	1153-1154
4418226	0384627	NISSAN	972	4422A036	0604140	MITSUBISHI	910
4418226	0384627	OPEL	1066	4422A037	0294139	MITSUBISHI	910
4418226	0384627	RENAULT	1268	4422A038	0284139	MITSUBISHI	910
4418226	0384627	VAUXHALL	1561	4422A052	0288077	CITROEN	265, 285
4418225	0394627	NISSAN	972	4422A052	0288077	MITSUBISHI	866, 888, 902- 903
4418225	0394627	OPEL	1066	4422A052	0288077	PEUGEOT	1153-1154
4418225	0394627	RENAULT	1268	4422A076	0604134	CITROEN	265
4418226	0384627	NISSAN	972				
4418226	0384627	OPEL	1066				
4418226	0384627	RENAULT	1268				

RIF. ORIG. O.E. NUMBER	RIF. OCAP OCAP REF.	MARCA MAKE	PAG.	RIF. ORIG. O.E. NUMBER	RIF. OCAP OCAP REF.	MARCA MAKE	PAG.
4422A076	0604134	MITSUBISHI	866, 903	4443405	0402715	CHRYSLER	237
4422A076	0604134	PEUGEOT	1154	4448132	1215354	FIAT	376, 386
4431869	0404627	NISSAN	972	4448132	1215354	SEAT	1351
4431869	0404627	OPEL	1066	4449553	0402715	CHRYSLER	237
443407151A	0390301	AUDI	120, 122	4450108005	0795174	SSANGYONG	1408
443407152A	0380301	AUDI	120, 122	4450109001	0798065	SSANGYONG	1406, 1408
443411327	1214121	AUDI	122	4450208005	0785174	SSANGYONG	1408
443419801A	0593004	AUDI	119, 121	4450209001	0788065	SSANGYONG	1406, 1408
443419801B	0593004	AUDI	119, 121	4450505000	0402445	CHEVROLET - DAEWOO 225	
443419801E	0593004	AUDI	119, 121	4450505001	0402445	CHEVROLET - DAEWOO 225	
443419802A	0583004	AUDI	119, 121	4450505001	0402445	SSANGYONG	1405
443419802B	0583004	AUDI	119, 121	4454109002	0404649	SSANGYONG	1404, 1406, 1408
443419802E	0583004	AUDI	119, 121	4454109004	0404649	SSANGYONG	1404, 1406, 1408
443419811A	0293002	AUDI	119, 121	4462153	0506491	FORD	463
443419811B	0293003	AUDI	64, 101, 119, 121, 123	4469175 *	0305764	FIAT	410
443419811C	0293002	AUDI	119, 121	4469175 **	0400401	FIAT	410
443419811D	0293003	AUDI	64, 101, 119, 121, 123	4469175 **	0400401	MASERATI	706
443419812A	0283002	AUDI	119, 121	4469175	0300401	FIAT	410
443419812B	0283003	AUDI	64, 101, 119, 121, 123	4472940	0603820	FORD	440
443419812C	0283002	AUDI	119, 121	4472940	0603820	MAZDA	710
443419812D	0283003	AUDI	64, 101, 119, 121, 123	4473200089	0598845	MERCEDES	850
4434652	1215092	AUTOBIANCHI	126	4473200189	0598849	MERCEDES	850
4434652	1215092	FIAT	363, 406	4473200289	0588849	MERCEDES	850
443505351P	0592007	AUDI	65, 101, 122, 124	4473200389	0588845	MERCEDES	850
443505352P	0582007	AUDI	65, 101, 122, 124	4473200489	0508846	MERCEDES	850
4436609	0504343	FORD	485	4473301407 *	1216369	MERCEDES	849
4440108000	0395175	SSANGYONG	1409	4473301407	0798845	MERCEDES	849
4440109001	0304649	SSANGYONG	1404	4473301507 *	1216369	MERCEDES	849
4440109010	0398065	SSANGYONG	1406, 1409	4473301507	0788845	MERCEDES	849
4440109011	0398065	SSANGYONG	1406, 1409	4473303400 *	1216378	MERCEDES	850
4440208000	0385175	SSANGYONG	1409	4473303400	0798847	MERCEDES	850
4440209010	0388065	SSANGYONG	1406, 1409	4473303500	0788847	MERCEDES	850
4440209011	0388065	SSANGYONG	1406, 1409	4473330127	0408845	MERCEDES	849-850
444081	0505170	OPEL	1038	4473330514	1216369	MERCEDES	849
444081	0505170	SAAB	1304	4474600048	0298844	MERCEDES	849
4440885	0503872	FORD	497	4474600055	0608844	MERCEDES	849
4441412	0903825	FORD	474	4474600148	0288844	MERCEDES	849
444153	1214097	OPEL	1017, 1054, 1062	4474600248	0298846	MERCEDES	849
444153	1214097	VAUXHALL	1566	4474600348	0288846	MERCEDES	849
444160	1214100	OPEL	1064	4475005000	0502447	CHEVROLET - DAEWOO 225	
444161	1214247	OPEL	1064	4475005000	0502447	SSANGYONG	1404-1405, 1407
444162	1214248	OPEL	1064	4475005001	0502447	CHEVROLET - DAEWOO 225	
444199	1214097	OPEL	1017, 1054, 1062	4475005001	0502447	SSANGYONG	1404-1405, 1407
444199	1214097	VAUXHALL	1566	4475008000	0508066	SSANGYONG	1409
444200	1214115	OPEL	1062	4475008001	0595176	SSANGYONG	1409
444275	0504375	OPEL	1064	4475109000	0594649	SSANGYONG	1404
444275	0504375	VAUXHALL	1568	4475109000	0598066	SSANGYONG	1407, 1409
444288	0582134	OPEL	1056	4475209000	0584649	SSANGYONG	1404
444289	0592134	OPEL	1056	4475209000	0588066	SSANGYONG	1407, 1409
444291	0504375	OPEL	1064	4475508000	0585176	SSANGYONG	1409
4443003000	0402446	CHEVROLET - DAEWOO 225		4484852	0786491	FORD	463
4443003010	0402446	CHEVROLET - DAEWOO 225		4484852	0786491	MAZDA	746
4443003011	0402446	CHEVROLET - DAEWOO 225		4484853	0796491	FORD	463
4443003011	0402446	SSANGYONG	1405	4484853	0796491	MAZDA	746
4443201	0280010	FIAT	407	4500090	0401523	OPEL	1050
4443201	0280010	SEAT	1357	4500091	1216063	NISSAN	939
444325	1214243	OPEL	1017, 1054	4500091	1216063	OPEL	1050
444336	1214243	OPEL	1017, 1054	4500091	1216063	RENAULT	1210
				4500092	0391494	NISSAN	939
				4500092	0391494	OPEL	1049
				4500092	0391494	RENAULT	1209

RIF. ORIG. O.E. NUMBER	RIF. OCAP OCAP REF.	MARCA MAKE	PAG.	RIF. ORIG. O.E. NUMBER	RIF. OCAP OCAP REF.	MARCA MAKE	PAG.
4500092	0391494	VAUXHALL	1561	45046-09251	0285565	TOYOTA	1505
4500093	0381494	NISSAN	939	45046-09261	0285565	TOYOTA	1505
4500093	0381494	OPEL	1049	45046-09280	0285198	TOYOTA	1505
4500093	0381494	RENAULT	1209	45046-09281	0285198	TOYOTA	1505
4500093	0381494	VAUXHALL	1561	45046-09295	0282130	CITROEN	255-256
4500094	1215609	OPEL	1049-1050	45046-09295	0282130	PEUGEOT	1092-1093
4500094	1215609	VAUXHALL	1561	45046-09295	0282130	TOYOTA	1462-1463
4500095	1215610	OPEL	1049-1050	45046-09310	0285198	TOYOTA	1505
4500095	1215610	VAUXHALL	1561	45046-09360	0282614	TOYOTA	1483, 1523
4500198	0593812	NISSAN	939	45046-09430	0285188	TOYOTA	1485, 1535
4500198	0593812	OPEL	1050	45046-09480	0282614	TOYOTA	1483, 1523
4500198	0593812	RENAULT	1210	45046-09480	0283292	TOYOTA	1537
4500198	0593812	VAUXHALL	1561	45046-09570	0288073	TOYOTA	1457, 1484
4500199	0583812	NISSAN	939	45046-09660	0283096	TOYOTA	1460
4500199	0583812	OPEL	1050	45046-09800	0288850	TOYOTA	1507
4500199	0583812	RENAULT	1210	45046-19055	0183726	TOYOTA	1529
4500199	0583812	VAUXHALL	1561	45046-19065	0190748	TOYOTA	1464, 1468, 1475, 1487- 1488, 1515, 1528-1529
4500254	0401522	NISSAN	939	45046-19065	0193312	DAIHATSU	324
4500254	0401522	OPEL	1050	45046-19105	0283660	TOYOTA	1477, 1529
4500254	0401522	RENAULT	1210	45046-19135	0190748	TOYOTA	1464, 1468, 1475, 1487- 1488, 1515, 1528-1529
4500254	0401522	VAUXHALL	1561	45046-19165	0283730	TOYOTA	1530
4500255	0401494	NISSAN	939	45046-19175	0280141	TOYOTA	1465, 1469, 1472, 1477, 1479-1482, 1491, 1524, 1536
4500255	0401494	OPEL	1049	45046-19175	0283660	TOYOTA	1477, 1529
4500255	0401494	RENAULT	1209	45046-19195	0283107	TOYOTA	1518
4500255	0401494	VAUXHALL	1561	45046-19195	0293107	TOYOTA	1518
4501260 *	1211392	NISSAN	955	45046-19205	0283731	TOYOTA	1519, 1530
4501260 *	1211392	OPEL	1049, 1051	45046-19206	0283731	TOYOTA	1519, 1530
4501260 *	1211392	VAUXHALL	1561	45046-19213	0283731	TOYOTA	1519, 1530
4501260	0903811	OPEL	1049, 1051	45046-19265	0282614	TOYOTA	1483, 1523
4501260	0903811	VAUXHALL	1561	45046-19405	0288073	TOYOTA	1457, 1484
4501261 *	0603811	NISSAN	939	45046-19415 *	0608073	TOYOTA	1457, 1484
4501261 *	0603811	OPEL	1049	45046-19415	0288073	TOYOTA	1457, 1484
4501261 *	0603811	RENAULT	1209	45046-20010	0193725	TOYOTA	1529
4501261 *	0603811	VAUXHALL	1561	45046-21010	0193725	TOYOTA	1529
4501261	0603811-K	OPEL	1049	45046-29025	0193725	TOYOTA	1529
4501261	0603811-K	VAUXHALL	1561	45046-29035	0193681	TOYOTA	1486
4501262	0291495	NISSAN	939	45046-29035	0193725	TOYOTA	1529
4501262	0291495	OPEL	1049	45046-29045	0193681	TOYOTA	1486
4501262	0291495	RENAULT	1209	45046-29045	0193725	TOYOTA	1529
4501262	0291495	VAUXHALL	1561	45046-29075	0190748	TOYOTA	1464, 1468, 1475, 1487- 1488, 1515, 1528-1529
4501263	0281495	NISSAN	939	45046-29075	0193312	DAIHATSU	324
4501263	0281495	OPEL	1049	45046-29115	0193759	TOYOTA	1455, 1497, 1501-1502, 1504
4501263	0281495	RENAULT	1209	45046-29125	0193759	TOYOTA	1455, 1497, 1501-1502, 1504
4501263	0281495	VAUXHALL	1561	45046-29135	0283638	TOYOTA	1469, 1477, 1490, 1517
45044-60H03	0193744	TOYOTA	1509	45046-29155	0190748	TOYOTA	1464, 1468, 1475, 1487- 1488, 1515, 1528-1529
45044-69035	0193741	TOYOTA	1509	45046-29165	0283646	TOYOTA	1470, 1492
45044-69045	0193743	TOYOTA	1509				
45044-69075	0188664	TOYOTA	1509				
45044-69076	0188664	TOYOTA	1509				
45044-69115	0192969	TOYOTA	1510				
45044-69125	0192968	TOYOTA	1510				
45044-69135	0188664	TOYOTA	1509				
45045-29035	0193768	TOYOTA	1496				
45045-60010	0190971	TOYOTA	1508				
45045-60013	0190971	TOYOTA	1508				
45045-60H00	0190971	TOYOTA	1508				
45045-69015	0190971	TOYOTA	1508				
45045-69035	0183740	TOYOTA	1509				
45045-69046	0198665	TOYOTA	1509				
45045-69065	0182967	TOYOTA	1510				
45045-69075	0198665	TOYOTA	1509				
45046-05070	0283096	TOYOTA	1460				
45046-09050	0282998	TOYOTA	1458, 1471				
45046-09100	0282998	TOYOTA	1458, 1471				
45046-09230	0282584	TOYOTA	1459, 1534				

RIF. ORIG. O.E. NUMBER	RIF. OCAP OCAP REF.	MARCA MAKE	PAG.	RIF. ORIG. O.E. NUMBER	RIF. OCAP OCAP REF.	MARCA MAKE	PAG.
45046-29185	0282977	TOYOTA	1516	45046-87402	0282458	DAIHATSU	336
45046-29215	0282970	TOYOTA	1498	45046-87503	0283321	DAIHATSU	332
45046-29235	0284321	TOYOTA	1521	45046-87504	0283321	DAIHATSU	332
45046-29255	0283668	LEXUS	703	45046-87580	0283321	DAIHATSU	332
45046-29255	0283668	TOYOTA	1466	45046-87581	0294167	PIAGGIO	1157
45046-29275	0282959	TOYOTA	1471, 1492, 1520	45046-87680	0183323	DAIHATSU	333
45046-29305	0280141	TOYOTA	1465, 1469, 1472, 1477, 1479-1482, 1491, 1524, 1536	45046-87701	0283303	DAIHATSU	321
45046-29325	0283099	TOYOTA	1499	45046-87707	0282449	DAIHATSU	330, 334-335
45046-29335	0282959	TOYOTA	1471, 1492, 1520	45046-87707	0282449	SUBARU	1417
45046-29365	0282998	TOYOTA	1458, 1471	45046-87781	0283307	DAIHATSU	320, 323
45046-29375	0283099	TOYOTA	1499	45046-87782	0283307	DAIHATSU	320, 323
45046-29425	0282585	TOYOTA	1459	45046-87783	0283307	DAIHATSU	320, 323
45046-39075	0193698	TOYOTA	1493	45046-87784	0283307	DAIHATSU	320, 323
45046-39085	0183776	TOYOTA	1500	45046-87Z02	0193009	PIAGGIO	1157
45046-39105	0193759	TOYOTA	1455, 1497, 1501-1502, 1504	45046-B9080	0285760	DAIHATSU	337
45046-39155	0193718	TOYOTA	1494-1495	45046-B9320	0285760	DAIHATSU	337
45046-39165	0193759	TOYOTA	1455, 1497, 1501-1502, 1504	45047-02010	0292614	TOYOTA	1483, 1523
45046-39175	0193759	TOYOTA	1455, 1497, 1501-1502, 1504	45047-05060	0293096	TOYOTA	1460
45046-39195	0193722	TOYOTA	1495	45047-09010	0292998	TOYOTA	1458, 1471
45046-39235	0193759	TOYOTA	1455, 1497, 1501-1502, 1504	45047-09030	0292998	TOYOTA	1458, 1471
45046-39335	0182479	TOYOTA	1456, 1511	45047-09125	0292130	CITROEN	255-256
45046-39505	0282625	TOYOTA	1513	45047-09125	0292130	PEUGEOT	1092-1093
45046-49025	0284408	TOYOTA	1525	45047-09125	0292130	TOYOTA	1462-1463
45046-49085	0284320	TOYOTA	1473	45047-09150	0292614	TOYOTA	1483, 1523
45046-49095	0284408	TOYOTA	1525	45047-09220	0293292	TOYOTA	1537
45046-49115	0282614	TOYOTA	1483, 1523	45047-09270	0298073	TOYOTA	1457, 1484
45046-49125	0282628	TOYOTA	1461	45047-09320	0293096	TOYOTA	1460
45046-49195	0283093	TOYOTA	1526-1527	45047-19035	0193725	TOYOTA	1529
45046-59025	0282994	TOYOTA	1536	45047-19055	0193725	TOYOTA	1529
45046-59026	0282994	TOYOTA	1536	45047-19075	0283107	TOYOTA	1518
45046-59195	0283292	TOYOTA	1537	45047-19075	0293107	TOYOTA	1518
45046-60011	0193733	TOYOTA	1508	45047-19115	0292614	TOYOTA	1483, 1523
45046-60021	0190973	TOYOTA	1508	45047-19205	0298073	TOYOTA	1457, 1484
45046-60023	0190973	TOYOTA	1508	45047-19215 *	0608073	TOYOTA	1457, 1484
45046-60030	0180971	TOYOTA	1508	45047-19215	0298073	TOYOTA	1457, 1484
45046-60033	0180971	TOYOTA	1508	45047-20010	0193725	TOYOTA	1529
45046-60040	0180973	TOYOTA	1508	45047-29015	0193681	TOYOTA	1486
45046-60042	0180973	TOYOTA	1508	45047-29015	0193725	TOYOTA	1529
45046-60081	0190973	TOYOTA	1508	45047-29045	0293646	TOYOTA	1470, 1492
45046-60H03	0193746	TOYOTA	1509	45047-29065	0294321	TOYOTA	1521
45046-60H04	0193742	TOYOTA	1509	45047-29075	0292959	TOYOTA	1471, 1492, 1520
45046-69025	0180971	TOYOTA	1508	45047-29105	0292959	TOYOTA	1471, 1492, 1520
45046-69035	0180973	TOYOTA	1508	45047-29125	0292998	TOYOTA	1458, 1471
45046-69055	0190973	TOYOTA	1508	45047-39055	0193776	TOYOTA	1500
45046-69105	0193742	TOYOTA	1509	45047-39085	0183783	TOYOTA	1497
45046-69115	0193738	TOYOTA	1509	45047-39215	0192479	TOYOTA	1456, 1511
45046-69116	0193738	TOYOTA	1509	45047-49015	0294320	TOYOTA	1473
45046-69135	0182965	TOYOTA	1510	45047-49025	0294408	TOYOTA	1525
45046-69195	0284554	TOYOTA	1512	45047-49045	0292614	TOYOTA	1483, 1523
45046-69205	0284555	TOYOTA	1512	45047-49055	0292628	TOYOTA	1461
45046-87203	0283309	DAIHATSU	326	45047-49095	0294408	TOYOTA	1525
45046-87280	0283310	DAIHATSU	326	45047-49135	0293093	TOYOTA	1526-1527
				45047-59025	0292994	TOYOTA	1536
				45047-59026	0292994	TOYOTA	1536
				45047-59135	0293292	TOYOTA	1537
				45047-60010	0190972	TOYOTA	1508
				45047-60013	0190972	TOYOTA	1508
				45047-60H00	0190972	TOYOTA	1508
				45047-60H02	0183739	TOYOTA	1509
				45047-69025	0190972	TOYOTA	1508
				45047-69085	0192966	TOYOTA	1510
				45047-69100	0294554	TOYOTA	1512
				45047-69115	0294555	TOYOTA	1512

RIF. ORIG. O.E. NUMBER	RIF. OCAP OCAP REF.	MARCA MAKE	PAG.	RIF. ORIG. O.E. NUMBER	RIF. OCAP OCAP REF.	MARCA MAKE	PAG.
45047-87380	0193323	DAIHATSU	333	45201-63G01	0381948	SUZUKI	1425
45047-87501	0283311	DAIHATSU	331	45201-63J00 *	0403139	OPEL	1010
45047-87502	0283311	DAIHATSU	331	45201-63J00 *	0403139	SUZUKI	1436
45047-87503	0293321	DAIHATSU	332	45201-63J00 *	0403139	VAUXHALL	1539
45047-87504	0293321	DAIHATSU	332	45201-63J00	0782659	SUZUKI	1436
45047-87580	0293321	DAIHATSU	332	45201-65D00	0385181	SUZUKI	1428
45047-87581	0284167	PIAGGIO	1157	45201-65D01	0385181	SUZUKI	1428
45047-87706	0292449	DAIHATSU	330, 334-335	45201-65J00	0783142	SUZUKI	1429
45047-87706	0292449	SUBARU	1417	45201-67D01	0385181	SUZUKI	1428
45047-87781	0293307	DAIHATSU	320, 323	45201-70C00	0781949	SUBARU	1415
45047-87782	0293307	DAIHATSU	320, 323	45201-70C00	0781949	SUZUKI	1435
45047-87783	0293307	DAIHATSU	320, 323	45201-71L00 *	0402688	SUZUKI	1437
45047-87784	0293307	DAIHATSU	320, 323	45201-71L00	0785755	SUZUKI	1437
45047-87Z02	0183009	PIAGGIO	1157	45201-72K00	0782659	SUZUKI	1436
45047-B9070	0295760	DAIHATSU	337	45201-77A01	0782760	SUZUKI	1427
45047-B9270	0295760	DAIHATSU	337	45201-77A10	0782760	SUZUKI	1427
45057-87501	0293311	DAIHATSU	331	45201-78K00	0783142	SUZUKI	1429
45057-87502	0293311	DAIHATSU	331	45201-79J00	0782632	FIAT	390
4513200189	0505339	SMART	1400	45201-79J00	0782632	SUZUKI	1438
4513300010 *	0405339	SMART	1400	45201-M68K00 *	0402688	SUZUKI	1424
4513300010	0705339	SMART	1400	45201-M68K00	0782688	SUZUKI	1424
4513380037	0285339	SMART	1400	45202-50G10	0791949	SUZUKI	1435
4513380137 *	0605339	SMART	1400	45202-54G01	0395589	SUZUKI	1432
4513380137	0285339	SMART	1400	45202-57K00	0792659	SUZUKI	1436
4513500129	0701843	SMART	1400	45202-59J00	0795589	SUZUKI	1432
4514600096	0905339	SMART	1400	45202-60B01	0791949	SUBARU	1415
4519467	0503254	FORD	496, 499	45202-60B01	0791949	SUZUKI	1435
45200-50E00	0701946	CHEVROLET - DAEWOO 227-228, 234		45202-60E01	0791949	SUBARU	1415
45200-50E00	0701946	SUZUKI	1423	45202-60E01	0791949	SUZUKI	1435
45200-60810	0781949	SUBARU	1415	45202-60G00	0391948	SUZUKI	1425
45200-60812	0781949	SUBARU	1415	45202-62J00 *	0403139	OPEL	1010
45200-60820	0791949	SUBARU	1415	45202-62J00 *	0403139	SUZUKI	1436
45200-60822	0791949	SUBARU	1415	45202-62J00 *	0403139	VAUXHALL	1539
45200-69D00	0701946	CHEVROLET - DAEWOO 227-228, 234		45202-62J00	0792659	SUZUKI	1436
45200-69D00	0701946	SUZUKI	1423	45202-63G01	0391948	SUZUKI	1425
45200-75F00	0301848	SUZUKI	1441	45202-63J00 *	0403139	OPEL	1010
45200-75F20	0301848	OPEL	1009	45202-63J00 *	0403139	SUZUKI	1436
45200-75F20	0301848	SUZUKI	1441	45202-63J00 *	0403139	VAUXHALL	1539
45200-75F20	0301848	VAUXHALL	1538	45202-63J00	0792659	SUZUKI	1436
45200-76G00	0302838	SUZUKI	1430	45202-65D00	0395181	SUZUKI	1428
45200-76G20	0302838	SUZUKI	1430	45202-65D01	0395181	SUZUKI	1428
45200-79001	0703614	SUZUKI	1426	45202-65J00	0793142	SUZUKI	1429
45200-81A10	0303143	SUZUKI	1431	45202-67D01	0395181	SUZUKI	1428
45200-82000	0303617	SUZUKI	1434	45202-70C00	0791949	SUBARU	1415
45200-84000	0701946	CHEVROLET - DAEWOO 227-228, 234		45202-70C00	0791949	SUZUKI	1435
45200-84000	0701946	SUZUKI	1423	45202-71L00 *	0402688	SUZUKI	1437
45200-85001	0703615	SUZUKI	1426	45202-71L00	0795755	SUZUKI	1437
45201-50G10	0781949	SUZUKI	1435	45202-72K00	0792659	SUZUKI	1436
45201-54G01	0385589	SUZUKI	1432	45202-77A01	0792760	SUZUKI	1427
45201-57K00	0782659	SUZUKI	1436	45202-77A10	0792760	SUZUKI	1427
45201-59J00	0785589	SUZUKI	1432	45202-78K00	0793142	SUZUKI	1429
45201-60B00	0781949	SUBARU	1415	45202-79J00	0792632	FIAT	390
45201-60B01	0781949	SUBARU	1415	45202-79J00	0792632	SUZUKI	1438
45201-60B01	0781949	SUZUKI	1435	45202-M68K00 *	0402688	SUZUKI	1424
45201-60B01	0791949	SUBARU	1415	45202-M68K00	0792688	SUZUKI	1424
45201-60E01	0781949	SUBARU	1415	45203-70C00	0403083	SUZUKI	1434
45201-60E01	0781949	SUZUKI	1435	45261-4F702	0503541	NISSAN	948
45201-60G00	0381948	SUZUKI	1425	45261-79J00	1215818	SUZUKI	1437
45201-62J00 *	0403139	OPEL	1010	45261-90J11	0504388	NISSAN	976
45201-62J00 *	0403139	SUZUKI	1436	4531299	0503872	FORD	497
45201-62J00 *	0403139	VAUXHALL	1539	4533200089	0505770	RENAULT	1273
45201-62J00	0782659	SUZUKI	1436	4533200089	0505770	SMART	1401, 1403
				4533302900 *	0405770	RENAULT	1273
				4533302900 *	0405770	SMART	1401, 1403
				4533302900 **	1216255	RENAULT	1273

RIF. ORIG. O.E. NUMBER	RIF. OCAP OCAP REF.	MARCA MAKE	PAG.	RIF. ORIG. O.E. NUMBER	RIF. OCAP OCAP REF.	MARCA MAKE	PAG.
4533302900 **	1216255	SMART	1401, 1403	4540775	0793869	FORD	495
4533302900	0795770	RENAULT	1273	4540787	1215678	FORD	495-496
4533302900	0795770	SMART	1401, 1403	4543200010	0502312	MITSUBISHI	877
4533303000 *	0405770	RENAULT	1273	4543200010	0502312	SMART	1402
4533303000 *	0405770	SMART	1401, 1403	4543300707 *	0402311	MITSUBISHI	877
4533303000 **	1216254	RENAULT	1273	4543300707 *	0402311	SMART	1402
4533303000 **	1216254	SMART	1401, 1403	4543300707 **	1215749	MITSUBISHI	877
4533303000	0785770	RENAULT	1273	4543300707 **	1215749	SMART	1402
4533303000	0785770	SMART	1401, 1403	4543300707	0792311	MITSUBISHI	877
4533303100 *	0405770	RENAULT	1273	4543300707	0792311	SMART	1402
4533303100 *	0405770	SMART	1401, 1403	4543300807 *	0402311	MITSUBISHI	877
4533303100	0795770	RENAULT	1273	4543300807 *	0402311	SMART	1402
4533303100	0795770	SMART	1401, 1403	4543300807 **	1215748	MITSUBISHI	877
4533303200 *	0405770	RENAULT	1273	4543300807 **	1215748	SMART	1402
4533303200 *	0405770	SMART	1401, 1403	4543300807	0782311	MITSUBISHI	877
4533303200	0785770	RENAULT	1273	4543300807	0782311	SMART	1402
4533303200	0785770	SMART	1401, 1403	4543450	0393854	SAAB	1298
4533307000	0285770	RENAULT	1273	4543468	0383854	SAAB	1298
4533307000	0285770	SMART	1401, 1403	45440-29045	0783661	TOYOTA	1475
4533307100	0295770	RENAULT	1273	45440-29125	0783661	TOYOTA	1475
4533307100	0295770	SMART	1401, 1403	4544599 *	0184166-K	SAAB	1298
4533506700	0705770	RENAULT	1273	4544599	0184166	SAAB	1298
4533506700	0705770	SMART	1401, 1403	4544600205	0282310	MITSUBISHI	877
4534630000 *	0605770	RENAULT	1273	4544600205	0282310	SMART	1402
4534630000 *	0605770	SMART	1401, 1403	45450-29085	0783661	TOYOTA	1475
4540108000	0508065	SSANGYONG	1409	45450-39015	0503788	TOYOTA	1501
45401-19095	0303653	TOYOTA	1475	45450-39016	0503788	TOYOTA	1501
45401-19125	0303628	TOYOTA	1464, 1488	45450-39037	0783661	TOYOTA	1475
45401-19195	0303656	TOYOTA	1475	45450-39055	0503788	TOYOTA	1501
45401-29095	0303691	TOYOTA	1488	45450-39065	0503788	TOYOTA	1501
45401-35190	0303764	TOYOTA	1455	45450-39145	0503791	TOYOTA	1502
45401-39115	0303778	TOYOTA	1500	4545711	1215666	SAAB	1298
45401-39116	0303779	TOYOTA	1500	45460-09010	0284330	TOYOTA	1467, 1522
45401-39145	0303779	TOYOTA	1500	45460-09060	0289284	LEXUS	704
45406-19015	0180749	TOYOTA	1468, 1475	45460-19025	0503632	TOYOTA	1464, 1468, 1475
45406-19016	0183633	TOYOTA	1464, 1468, 1475, 1488, 1515, 1528	45460-19025	0503724	TOYOTA	1529
45406-19025	0180749	TOYOTA	1468, 1475	45460-19056	0503724	TOYOTA	1529
45406-19045	0180749	TOYOTA	1468, 1475	45460-19095	0283313	DAIHATSU	324
45406-19048	0180749	TOYOTA	1468, 1475	45460-19105	0283660	TOYOTA	1477, 1529
45406-29015	0183684	TOYOTA	1486	45460-19115	0603659	TOYOTA	1476-1477, 1529, 1532
45406-29016	0183684	TOYOTA	1486	45460-19125	0283658	DAIHATSU	325
45406-29035	0183769	TOYOTA	1496	45460-19125	0283658	TOYOTA	1476-1477
45406-29055	0183686	TOYOTA	1487	45460-19135	0283313	DAIHATSU	324
45406-29056	0183686	TOYOTA	1487	45460-19145	0283727	TOYOTA	1529
45406-29065	0183686	TOYOTA	1487	45460-19155	0283635	TOYOTA	1468, 1489
45406-29095	0183769	TOYOTA	1496	45460-19165	0283634	TOYOTA	1468, 1489
45406-29115	0183793	TOYOTA	1501-1502	45460-19175	0503724	TOYOTA	1529
45406-29135	0183756	TOYOTA	1528	45460-19185	0283675	TOYOTA	1533
45406-29145	0183783	TOYOTA	1497	45460-19195	0283677	TOYOTA	1533
45406-29175	0183783	TOYOTA	1497	45460-19205	0283677	TOYOTA	1533
45406-39055	0183710	TOYOTA	1493	45460-19215	0283660	TOYOTA	1477, 1529
45406-39065	0183777	TOYOTA	1500	45460-19235	0284564	TOYOTA	1531
45406-39085	0183793	TOYOTA	1501-1502	45460-29045	0503683	TOYOTA	1486
45406-39086	0183793	TOYOTA	1501-1502	45460-29066	0503767	TOYOTA	1496
45406-39095	0183793	TOYOTA	1501-1502	45460-29085	0583686	TOYOTA	1487
45406-39105	0183719	TOYOTA	1494	45460-29135	0503724	TOYOTA	1529
45406-39115	0183793	TOYOTA	1501-1502	45460-29145	0503724	TOYOTA	1529
45406-39125	0183793	TOYOTA	1501-1502	45460-29215	0503792	TOYOTA	1501-1502
45406-39135	0183762	TOYOTA	1455, 1504	45460-29265	0503781	TOYOTA	1497
45406-39145	0183721	TOYOTA	1495	45460-29285	0503782	TOYOTA	1497
45407-29015	0193686	TOYOTA	1487	45460-29315	0282350	TOYOTA	1516
45407-29016	0193686	TOYOTA	1487	45460-29425	0284330	TOYOTA	1467, 1522
4540774	0783869	FORD	495	45460-29435	0289284	LEXUS	704

RIF. ORIG. O.E. NUMBER	RIF. OCAP OCAP REF.	MARCA MAKE	PAG.	RIF. ORIG. O.E. NUMBER	RIF. OCAP OCAP REF.	MARCA MAKE	PAG.
45460-39065	0583776	TOYOTA	1500	45503-0D080	0602782	TOYOTA	1537
45460-39075	0503709	TOYOTA	1493	45503-0F010	0603122	TOYOTA	1459, 1485, 1535
45460-39095	0503792	TOYOTA	1501-1502	45503-0R010	0603122	TOYOTA	1459, 1485, 1535
45460-39096	0503792	TOYOTA	1501-1502	45503-10020	0603659	TOYOTA	1476-1477, 1529, 1532
45460-39155	0503792	TOYOTA	1501-1502	45503-12130	0602594	TOYOTA	1483
45460-39165	0283624	TOYOTA	1464	45503-19015	0603659	TOYOTA	1476-1477, 1529, 1532
45460-39195	0503718	TOYOTA	1494	45503-19025	0603676	TOYOTA	1477, 1533
45460-39215	0503792	TOYOTA	1501-1502	45503-19035	0603639	TOYOTA	1469, 1477, 1490
45460-39225	0503792	TOYOTA	1501-1502	45503-19035	0603659	TOYOTA	1476-1477, 1529, 1532
45460-39445	0289282	LEXUS	700	45503-19036	0603641	TOYOTA	1469, 1477, 1491
45460-39575	0289282	LEXUS	700	45503-19045	0603659	TOYOTA	1476-1477, 1529, 1532
45460-39615	0284330	TOYOTA	1467, 1522	45503-19055	0603640	TOYOTA	1469, 1477, 1490
45460-39635	0284330	TOYOTA	1467	45503-19056	0603642	TOYOTA	1469, 1477, 1491
45460-49075	0289284	LEXUS	704	45503-19066	0603105	TOYOTA	1517
45460-59015	0285500	LEXUS	699	45503-19075	0603732	TOYOTA	1530
45460-59035	0289282	LEXUS	700	45503-19085	0603625	TOYOTA	1464
45460-87401	0602459	DAIHATSU	336-337	45503-19085	0603692	TOYOTA	1490
45460-87586	0504167	PIAGGIO	1157	45503-19116	0603679	TOYOTA	1479
45460-87587	0503321	DAIHATSU	332	45503-19125	0603664	TOYOTA	1480
45460-87Z02	0503009	PIAGGIO	1157	45503-19135	0603665	TOYOTA	1480
45463-30130	0289283	LEXUS	702	45503-19145	0603106	TOYOTA	1518
4546412	0288072	FORD	463	45503-19155	0602963	TOYOTA	1519, 1530
4546412	0288072	MAZDA	746	45503-19205	0604319	TOYOTA	1481-1482
45464-30060	0299283	LEXUS	702	45503-19215	0601923	TOYOTA	1481, 1524
45470-09010	0294330	TOYOTA	1467, 1522	45503-19255	0602594	TOYOTA	1483
45470-19025	0503724	TOYOTA	1529	45503-20170	0603122	TOYOTA	1459, 1485, 1535
45470-19035	0293675	TOYOTA	1533	45503-29010	0603636	TOYOTA	1468, 1472, 1489, 1516
45470-19045	0293677	TOYOTA	1533	45503-29015	0603636	TOYOTA	1468, 1472, 1489, 1516
45470-19055	0293677	TOYOTA	1533	45503-29016	0603636	TOYOTA	1468, 1472, 1489, 1516
45470-19065	0294564	TOYOTA	1531	45503-29025	0603692	TOYOTA	1490
45470-29046	0593686	TOYOTA	1487	45503-29075	0603644	TOYOTA	1472, 1491
45470-29075	0503782	TOYOTA	1497	45503-29095	0602976	TOYOTA	1516
45470-29085	0282350	TOYOTA	1516	45503-29105	0603631	TOYOTA	1465, 1472, 1491
45470-29185	0294330	TOYOTA	1467, 1522	45503-29105	0603692	TOYOTA	1490
45470-39035	0593776	TOYOTA	1500	45503-29125	0603636	TOYOTA	1468, 1472, 1489, 1516
45470-39155	0299282	LEXUS	700	45503-29135	0602976	TOYOTA	1516
45470-39205	0299282	LEXUS	700	45503-29155	0603648	TOYOTA	1470, 1492
45470-39215	0294330	TOYOTA	1467, 1522	45503-29165	0603647	TOYOTA	1470, 1492
45470-59015	0295500	LEXUS	699	45503-29175	0603625	TOYOTA	1464
45470-59035	0299282	LEXUS	700	45503-29175	0603692	TOYOTA	1490
45470-59055	0294330	TOYOTA	1467, 1522	45503-29215	0602978	TOYOTA	1516
45490-19125	0303650	TOYOTA	1475	45503-29245	0603092	TOYOTA	1472
45490-19135	0303649	TOYOTA	1475	45503-29255	0602971	TOYOTA	1498
45490-19215	0303652	TOYOTA	1475	45503-29285	0604322	TOYOTA	1521
45490-19225	0303651	TOYOTA	1475	45503-29295	0604322	TOYOTA	1521
45490-29135	0303690	TOYOTA	1488	45503-29355	0603669	TOYOTA	1466
45490-29245	0303774	TOYOTA	1496	45503-29365	0601923	TOYOTA	1481, 1524
45490-29295	0303626	TOYOTA	1464, 1488	45503-29385	0604319	TOYOTA	1481-1482
45490-29465	0301789	TOYOTA	1497	45503-29435	0603694	TOYOTA	1471, 1492, 1520
45490-35130	0303795	TOYOTA	1502	45503-29565	0603100	TOYOTA	1499
45490-35140	0303794	TOYOTA	1502				
45490-39165	0303713	TOYOTA	1493				
45490-39245	0303763	TOYOTA	1455				
45490-39305	0303793	TOYOTA	1502				
45490-39306	0303793	TOYOTA	1502				
45490-39475	0303792	TOYOTA	1502				
45490-39476	0303792	TOYOTA	1502				
45500-0H010 *	0602130	CITROEN	255-256				
45500-0H010 *	0602130	PEUGEOT	1092-1093				
45500-0H010 *	0602130	TOYOTA	1462-1463				
45503-05010	0604419	TOYOTA	1471				
45503-05020	0602999	TOYOTA	1458				
45503-09230	0602842	TOYOTA	1467				
45503-09321	0605199	TOYOTA	1505				
45503-0D030	0602994	TOYOTA	1536				

RIF. ORIG. O.E. NUMBER	RIF. OCAP OCAP REF.	MARCA MAKE	PAG.	RIF. ORIG. O.E. NUMBER	RIF. OCAP OCAP REF.	MARCA MAKE	PAG.
45503-29615	0603694	TOYOTA	1471, 1492, 1520				1064, 1069
45503-29785	0609282	LEXUS	700	4566899	1215319	SAAB	1299, 1301- 1302
45503-30070	0609283	LEXUS	702	4566899	1215319	VAUXHALL	1543, 1545, 1566, 1568
45503-30090	0609283	LEXUS	702	45700-60A00	0403622	SUZUKI	1439
45503-39015	0603625	TOYOTA	1464	45700-67001	0403613	SUZUKI	1426
45503-39015	0603692	TOYOTA	1490	4575009000	0598067	SSANGYONG	1407, 1409
45503-39025	0603631	TOYOTA	1465, 1472, 1491	4575009001	0598067	SSANGYONG	1407, 1409
45503-39025	0603692	TOYOTA	1490	4575109000	0588067	SSANGYONG	1407, 1409
45503-39075	0602480	TOYOTA	1456, 1511	4575109001	0588067	SSANGYONG	1407, 1409
45503-39105	0603631	TOYOTA	1465, 1472, 1491	4603300435	0181695	MERCEDES	798-799
45503-39105	0609282	LEXUS	700	4603300703	0502246	MERCEDES	798
45503-39135	0603669	TOYOTA	1466	4603300903	0502247	MERCEDES	798
45503-39155	0605500	LEXUS	699	4603301235	0181695	MERCEDES	798-799
45503-39225	0602842	TOYOTA	1467	4603301235	0182260	MERCEDES	855
45503-39235	0602626	TOYOTA	1513	4603301703	0502247	MERCEDES	798
45503-39265	0602626	TOYOTA	1513	4603301803	0502247	MERCEDES	798
45503-42020	0603094	TOYOTA	1525	4603301903	0502249	MERCEDES	798
45503-49025	0605499	LEXUS	703	4603302003	0502249	MERCEDES	798
45503-49035	0604420	TOYOTA	1473	4604630115	0504189	MERCEDES	798-799
45503-49055	0602609	TOYOTA	1525	4604635115	0504189	MERCEDES	798-799
45503-49075	0603120	TOYOTA	1523	4604635315	0504189	MERCEDES	798-799
45503-49095	0605499	LEXUS	703	4616978	0403869	FORD	495, 498
45503-49105	0602629	TOYOTA	1461	4616978	0404341	FORD	485
45503-49125	0609284	LEXUS	704	46300-60B00	0702785	SUZUKI	1435
45503-52010	0602995	TOYOTA	1536	46300-60B10	0702785	SUZUKI	1435
45503-52070	0602782	TOYOTA	1537	4630551	0403869	FORD	495, 498
45503-59045	0602995	TOYOTA	1536	4631871	0786491	FORD	463
45503-69015	0604556	TOYOTA	1512	4631871	0786491	MAZDA	746
45503-69025	0604557	TOYOTA	1512	4631878	0796491	FORD	463
45503-87208	0602466	DAIHATSU	327-328	4631878	0796491	MAZDA	746
45503-87210	0602466	DAIHATSU	327-328	4633300303	0502248	MERCEDES	799
45503-87215	0602466	DAIHATSU	327-328	4633300403	0502248	MERCEDES	799
45503-87401	0602459	DAIHATSU	336-337	4633300503	0502251	MERCEDES	799
45503-87702	0603317	DAIHATSU	321	4633300603	0502251	MERCEDES	799
45503-87703	0603305	DAIHATSU	322	4634630015	0504189	MERCEDES	798-799
45503-87705	0603308	DAIHATSU	323	4634630715	0504189	MERCEDES	798-799
45503-87708	0602955	DAIHATSU	323	464023	0703802	OPEL	1062
45503-87710	0602444	DAIHATSU	323, 330	464023	0703802	SAAB	1302
45503-87711	0602955	DAIHATSU	323	46402681	0390446	FIAT	339, 380
45503-87714	0602620	DAIHATSU	330	46402681	0390446	LANCIA	670
45503-97201	0602455	DAIHATSU	334	46402682	0380446	FIAT	339, 380
45503-97203	0602467	DAIHATSU	329	46402682	0380446	LANCIA	670
45503-97204	0602468	DAIHATSU	329	46402683	0390446	FIAT	339, 380
45503-97401	0602456	DAIHATSU	334	46402683	0390446	LANCIA	670
45503-B1010	0602780	DAIHATSU	335	46402684	0380446	FIAT	339, 380
45503-B1010	0602780	SUBARU	1417	46402684	0380446	LANCIA	670
45503-B1020	0602780	DAIHATSU	335	46402696	1215421	LANCIA	663
45503-B1020	0602780	SUBARU	1417	46402876	0791319	LANCIA	662
45504-28030	0604331	TOYOTA	1522	46402877	0781319	LANCIA	662
45510-42080 *	0603093	TOYOTA	1526	46407372	0390014	FIAT	395
45535-30030	0905497	LEXUS	702	46407372	0390014	LANCIA	652
45535-39005	0905497	LEXUS	702	46407373	0380014	FIAT	395
45535-59045	0905497	LEXUS	702	46407373	0380014	LANCIA	652
45535-87401	0905760	DAIHATSU	337	46413122	0501327	FIAT	369-370
45540-68L00	1215819	SUZUKI	1437	46413122	0501327	LANCIA	653, 664
4565263	0703802	OPEL	1062	46414734	0791319	LANCIA	662
4565263	0703802	SAAB	1302	46414735	0781319	LANCIA	662
4566378	1216166	OPEL	1062	46423822	0390036	FIAT	341, 396
4566378	1216166	SAAB	1302	46423822	0390036	LANCIA	653, 658
4566899	1215319	FIAT	351	46423823	0380036	FIAT	341, 396
4566899	1215319	OPEL	1018, 1021, 1046, 1062,	46423823	0380036	LANCIA	653, 658
				46423824	0390386	ALFA ROMEO	2, 4-5, 8, 27
				46423824	0390386	FIAT	341, 347, 369

RIF. ORIG. O.E. NUMBER	RIF. OCAP OCAP REF.	MARCA MAKE	PAG.	RIF. ORIG. O.E. NUMBER	RIF. OCAP OCAP REF.	MARCA MAKE	PAG.
46423824	0390386	LANCIA	659	46545743	0501327	FIAT	369-370
46423825	0380386	ALFA ROMEO	2, 4-5, 8, 27	46545743	0501327	LANCIA	653, 664
46423825	0380386	FIAT	341, 347, 369	46545749	0501780	LANCIA	664
46423825	0380386	LANCIA	659	46546776 *	0401450	FIAT	372
46429834	0390446	FIAT	339, 380	46546776	0781450	FIAT	372
46429834	0390446	LANCIA	670	46546777 *	0401450	FIAT	372
46429835	0380446	FIAT	339, 380	46546777	0791450	FIAT	372
46429835	0380446	LANCIA	670	46551732	0392897	FIAT	382
46430002	0390446	FIAT	339, 380	46551790	0382897	FIAT	382
46430002	0390446	LANCIA	670	4656010	0404036	CHRYSLER	236
46430003	0380446	FIAT	339, 380	4656010AB	0404036	CHRYSLER	236
46430003	0380446	LANCIA	670	4656010AE	0404036	CHRYSLER	236
46430429	0291125	FIAT	340	4656012AB	1216041	CHRYSLER	236
46430430	0281125	FIAT	340	4656012AF	1216041	CHRYSLER	236
46454595	0790476	FIAT	371	4656013	1216042	CHRYSLER	236
46454596	0780476	FIAT	371	4656730-AH	0784036	CHRYSLER	236
46454597	0790477	FIAT	372, 374	4656730AH	0784036	CHRYSLER	236
46454598	0780477	FIAT	372, 374	4656731-AH	0794036	CHRYSLER	236
46454599	0400478	FIAT	371-372, 374	4656731AH	0794036	CHRYSLER	236
46456189	0290475	FIAT	371, 373, 394	4656934AB	0504038	CHRYSLER	236
46456660	0280475	FIAT	371, 373, 394	46630-59J00	0505590	SUZUKI	1432
46459719 *	0901911	ALFA ROMEO	2, 4, 6	46630-60B00 *	0501927-K	NISSAN	991
46459719 *	0901911	FIAT	342, 369, 396	46630-60B00 *	0501927-K	SUBARU	1415-1416
46459719 *	0901911	LANCIA	653	46630-60B00 *	0501927-K	SUZUKI	1425, 1430
46459720 *	0901911	ALFA ROMEO	2, 4, 6	46630-60B00	0501927	NISSAN	991
46459720 *	0901911	FIAT	342, 369, 396	46630-60B00	0501927	SUBARU	1415-1416
46459720 *	0901911	LANCIA	653	46630-60B00	0501927	SUZUKI	1425, 1430, 1432
46459723 *	0901911	ALFA ROMEO	2, 4, 6	46630-60B01 *	0501927-K	SUBARU	1415-1416
46459723 *	0901911	FIAT	342, 369, 396	46630-60B01 *	0501927-K	SUZUKI	1425, 1430
46459723 *	0901911	LANCIA	653	46630-60B01	0501927	NISSAN	991
46459724 *	0901911	ALFA ROMEO	2, 4, 6	46630-60B01	0501927	SUBARU	1415-1416
46459724 *	0901911	FIAT	342, 369, 396	46630-60B01	0501927	SUZUKI	1425, 1430, 1432
46459724 *	0901911	LANCIA	653	46630-60B10	0504495	SUZUKI	1435
46462049	0501426	LANCIA	663	46630-60B11	0502291	SUZUKI	1434-1435
46462626	0390386	ALFA ROMEO	2, 4-5, 8, 27	46630-80F00	0585179	SUZUKI	1425, 1432
46462626	0390386	FIAT	341, 347, 369	46640-80F00	0595179	SUZUKI	1425, 1432
46462626	0390386	LANCIA	659	4666005500	0282443	CHEVROLET - DAEWOO	225
46462627	0380386	ALFA ROMEO	2, 4-5, 8, 27	4666005501	0282443	CHEVROLET - DAEWOO	225
46462627	0380386	FIAT	341, 347, 369	4666005501	0282443	SSANGYONG	1405
46462627	0380386	LANCIA	659	4666008001	0294649	SSANGYONG	1404, 1406, 1408
46474556	0390386	ALFA ROMEO	2, 4-5, 8, 27	4666008011	0284649	SSANGYONG	1404, 1406, 1408
46474556	0390386	FIAT	341, 347, 369	4666009002	0294649	SSANGYONG	1404, 1406, 1408
46474556	0390386	LANCIA	659	4666009011	0284649	SSANGYONG	1404, 1406, 1408
46474557	0380386	ALFA ROMEO	2, 4-5, 8, 27	46738807	1214182	FIAT	355, 394
46474557	0380386	FIAT	341, 347, 369	46741920	1216368	FIAT	382, 415
46474557	0380386	LANCIA	659	46741921	1216368	FIAT	382, 415
46519897 *	0901911	ALFA ROMEO	2, 4, 6	46745364	0280475	FIAT	371, 373, 394
46519897 *	0901911	FIAT	342, 369, 396	46745365	0290475	FIAT	371, 373, 394
46519897 *	0901911	LANCIA	653	46761279	1216368	FIAT	382, 415
46522142 *	1215457	FIAT	370	46761280	1216368	FIAT	382, 415
46522142 *	1215457	LANCIA	664	46764746 *	1215456	FIAT	370
46522142	0381368	FIAT	370	46764746 *	1215456	LANCIA	664
46522142	0381368	LANCIA	664	46764746	0391368	FIAT	370
46525407 *	1215458	FIAT	370	46764746	0391368	LANCIA	664
46525407 *	1215458	LANCIA	664	46764747 *	1215455	FIAT	370
46525407	0391368	FIAT	370	46764747 *	1215455	LANCIA	664
46525407	0391368	LANCIA	664	46764747	0381368	FIAT	370
46527567	0281326	ALFA ROMEO	3, 5, 7, 26	46764747	0381368	LANCIA	664
46527567	0281326	FIAT	340, 346, 353, 369-370, 400	46767267	0501455	FIAT	355
46539278	0790477	FIAT	372, 374	46777741	0781447	FIAT	354, 372, 374,
46539279	0780477	FIAT	372, 374				
46543045	0401861	FIAT	354, 394				
46545660	0392897	FIAT	382				
46545661	0382897	FIAT	382				

RIF. ORIG. O.E. NUMBER	RIF. OCAP OCAP REF.	MARCA MAKE	PAG.	RIF. ORIG. O.E. NUMBER	RIF. OCAP OCAP REF.	MARCA MAKE	PAG.
			394	4706664	1215556	VAUXHALL	1538
46777742	0791447	FIAT	354, 372, 374, 394	4706665	0301849	OPEL	1009
				4706665	0301849	VAUXHALL	1538
46777764	1249596	FIAT	355	4707280	0301849	OPEL	1009
46779293	0401447	FIAT	354-355, 372, 374, 394	4707280	0301849	VAUXHALL	1538
				4708299 *	0403139	OPEL	1010
46790552	1214182	FIAT	355, 394	4708299 *	0403139	SUZUKI	1436
46799278	0501465	FIAT	355	4708299 *	0403139	VAUXHALL	1539
46802680	0503076	ALFA ROMEO	11	4708299	0783139	OPEL	1010
46802681	0503076	ALFA ROMEO	11	4708299	0783139	VAUXHALL	1539
46802682	0503075	ALFA ROMEO	11	4708300 *	0403139	OPEL	1010
46813841	0781447	FIAT	354, 372, 374, 394	4708300 *	0403139	SUZUKI	1436
				4708300 *	0403139	VAUXHALL	1539
46813842	0791447	FIAT	354, 372, 374, 394	4708300	0793139	OPEL	1010
				4708300	0793139	VAUXHALL	1539
4684120	1215863	CHRYSLER	238	4708302 *	1215950	OPEL	1010
46842581	0401447	FIAT	354-355, 372, 374, 394	4708302 *	1215950	VAUXHALL	1539
				4708302	1215949	OPEL	1010
46843389	0503079	ALFA ROMEO	10	4708302	1215949	VAUXHALL	1539
4684V008000000	*0601842	SMART	1399	4709117	1211583	OPEL	1010
4686606	0501690	SAAB	1302	4709117	1211583	VAUXHALL	1539
4686820	1214098	SAAB	1302	4709161	0603138	OPEL	1010
4694747	0402715	CHRYSLER	237	4709161	0603138	SUZUKI	1436
4694760	0384048	CHRYSLER	237	4709161	0603138	VAUXHALL	1539
4694760AC *	1215299	CHRYSLER	237	4709165	1211582	OPEL	1010
4694760AC	0384048	CHRYSLER	237	4709165	1211582	VAUXHALL	1539
4694761	0394048	CHRYSLER	237	4709195	0281846	NISSAN	969
4694761AC *	1215298	CHRYSLER	237	4709195	0281846	OPEL	1009-1010
4694761AC	0394048	CHRYSLER	237	4709195	0281846	SUZUKI	1424, 1436
4701740 *	0901840	OPEL	1009	4709195	0281846	VAUXHALL	1538-1539
4701740 *	0901840	VAUXHALL	1538	4709303	0503872	FORD	497
4701740	1211372	OPEL	1009	4709702	0503140	OPEL	1010
4701740	1211372	VAUXHALL	1538	4709702	0503140	SUZUKI	1436
4701744	0283616	OPEL	1009	4709702	0503140	VAUXHALL	1539
4701744	0283616	SUBARU	1415-1416	4743094AA	1215861	CHRYSLER	238
4701744	0283616	SUZUKI	1425, 1430, 1432, 1434- 1435, 1441	4743095AA	1215862	CHRYSLER	238
				4743454AA	0502719	CHRYSLER	237-239
4701744	0283616	VAUXHALL	1538	4743669AA	0502719	CHRYSLER	237-239
4701745	0601847	OPEL	1009	4743935AD	0602721	CHRYSLER	237-238
4701745	0601847	SUBARU	1416	4762861-AA	0284036	CHRYSLER	236
4701745	0601847	SUZUKI	1430, 1441	4762861AA	0284036	CHRYSLER	236
4701745	0601847	VAUXHALL	1538	4763669AB	0502719	CHRYSLER	237-239
4703866	1215556	OPEL	1009	4763903	0786491	FORD	463
4703866	1215556	SUZUKI	1441	4763903	0786491	MAZDA	746
4703866	1215556	VAUXHALL	1538	4763905	0796491	FORD	463
4705172	0301848	OPEL	1009	4763905	0796491	MAZDA	746
4705172	0301848	SUZUKI	1441	4766423AD	0395756	FIAT	366
4705172	0301848	VAUXHALL	1538	4766424AD	0385756	FIAT	366
4705409	1215557	VAUXHALL	1538	4766542AA *	0402722	CHRYSLER	238
47054099209466	1215557	OPEL	1009	4766542AA	0382722	CHRYSLER	238
47054099209466	1215557	SUZUKI	1441	4766542AC	0382722	CHRYSLER	238
4705655	0283616	OPEL	1009	4766542AD	0382722	CHRYSLER	238
4705655	0283616	SUBARU	1415-1416	4766543AA *	0402722	CHRYSLER	238
4705655	0283616	SUZUKI	1425, 1430, 1432, 1434- 1435, 1441	4766543AA	0392722	CHRYSLER	238
				4766543AC	0392722	CHRYSLER	238
4705655	0283616	VAUXHALL	1538	4766543AD	0392722	CHRYSLER	238
4705716	0281846	NISSAN	969	4766866AA	0505592	CHRYSLER	241
4705716	0281846	OPEL	1009-1010	4766910AE	0785744	CHRYSLER	239
4705716	0281846	SUZUKI	1424, 1436	4766910AF	0785744	CHRYSLER	239
4705716	0281846	VAUXHALL	1538-1539	4766910AG *	0405744	CHRYSLER	239
4705742	0301849	OPEL	1009	4766910AG **	1216214	CHRYSLER	239
4705742	0301849	VAUXHALL	1538	4766910AG	0785744	CHRYSLER	239
4706664	1215556	OPEL	1009	4766910AH	0785744	CHRYSLER	239
4706664	1215556	SUZUKI	1441	4766910AI	0785744	CHRYSLER	239
				4766910AL	0785744	CHRYSLER	239

RIF. ORIG. O.E. NUMBER	RIF. OCAP OCAP REF.	MARCA MAKE	PAG.	RIF. ORIG. O.E. NUMBER	RIF. OCAP OCAP REF.	MARCA MAKE	PAG.
4766911AE	0795744	CHRYSLER	239	48068-05070	0782590	TOYOTA	1459
4766911AF	0795744	CHRYSLER	239	48068-05080	0783094	TOYOTA	1457, 1460, 1484
4766911AG *	0405744	CHRYSLER	239				
4766911AG **	1216214	CHRYSLER	239	48068-09015	0783299	TOYOTA	1534, 1537
4766911AG	0795744	CHRYSLER	239	48068-09030	0783299	TOYOTA	1534, 1537
4766911AH	0795744	CHRYSLER	239	48068-09040 *	0402354	CITROEN	255-256
4766911AI	0795744	CHRYSLER	239	48068-09040 *	0402354	PEUGEOT	1092-1093
4766911AL	0795744	CHRYSLER	239	48068-09040 *	0402354	TOYOTA	1462-1463, 1534, 1537
4766962AA	0505756	FIAT	366				
477419803B	0501668	PORSCHE	1165	48068-09040	0783299	TOYOTA	1534, 1537
477419813	0600911	PORSCHE	1165	48068-09150	0783299	TOYOTA	1534, 1537
477419815	0280056	PORSCHE	1165, 1167	48068-0F010	0785189	TOYOTA	1485
477419815	0280056	VOLKSWAGEN	1591, 1700	48068-0F030	0788073	TOYOTA	1457, 1484, 1535
4775683 *	0901772	FORD	468				
4775683	1211346	FORD	422, 463, 468	48068-0H010	0782354	CITROEN	255
4782561AE *	1216164	CHRYSLER	240	48068-0H010	0782354	PEUGEOT	1092
4782561AE **	1216165	CHRYSLER	240	48068-0H010	0782354	TOYOTA	1462
4782561AE	0305592	CHRYSLER	240	48068-0H020	0782131	CITROEN	256
4782607AC *	1216163	CHRYSLER	240	48068-0H020	0782131	PEUGEOT	1093
4782612AC *	1216163	CHRYSLER	240	48068-0H020	0782131	TOYOTA	1463
4782612AC	0385592	CHRYSLER	240	48068-0K010	0788686	TOYOTA	1506
4782612AD	0385592	CHRYSLER	240	48068-0K040	0784149	TOYOTA	1505
4782613AC	0395592	CHRYSLER	240	48068-12110	0783667	TOYOTA	1480
4782613AD	0395592	CHRYSLER	240	48068-12130	0783672	TOYOTA	1481
4782665AB	0395591	CHRYSLER	240	48068-12140	0783672	TOYOTA	1481
4782665AC	0395591	CHRYSLER	240	48068-12160	0784414	TOYOTA	1482
4782665AE *	1216162	CHRYSLER	240	48068-12170	0784414	TOYOTA	1482
4782665AE	0395591	CHRYSLER	240	48068-12171	0784414	TOYOTA	1482
4782666AB	0385591	CHRYSLER	240	48068-12180	0784414	TOYOTA	1482
4782666AC	0385591	CHRYSLER	240	48068-12181	0784414	TOYOTA	1482
4782666AE *	1216162	CHRYSLER	240	48068-12190	0784414	TOYOTA	1482
4782666AE	0385591	CHRYSLER	240	48068-12191	0784414	TOYOTA	1482
4782740AB	0405592	CHRYSLER	240	48068-12260 *	0788078	TOYOTA	1483
4797706	0284047	CHRYSLER	237	48068-12260	0783113	TOYOTA	1483
48001-1KA0B *	0608071	NISSAN	940	48068-12300	0788073	TOYOTA	1457, 1484, 1535
48001-1KA0D	0608071	NISSAN	940				
48001-4EH0A *	0605783	NISSAN	983	48068-19045	0783661	TOYOTA	1475
48001-4EH0A *	0605783	RENAULT	1196	48068-19065	0783662	TOYOTA	1476
48001-JD90B	0603271	NISSAN	981, 1006	48068-19125	0783662	TOYOTA	1476
48001-JD90B	0603271	RENAULT	1202	48068-20150	0783663	TOYOTA	1478
4802543	1216025	CHEVROLET - DAEWOO 220		48068-20151	0783663	TOYOTA	1478
4803246	0905337	OPEL	1011	48068-20260	0784407	TOYOTA	1471
4803429	0285337	CHEVROLET - DAEWOO 220, 235		48068-20380	0783089	TOYOTA	1473
4803429	0285337	OPEL	1011, 1047	48068-20381	0783089	TOYOTA	1473
4804642	0505169	CHEVROLET - DAEWOO 220		48068-26070	0783101	TOYOTA	1499
4804642	0505169	OPEL	1011	48068-26071	0783101	TOYOTA	1499
4806300	0795337	CHEVROLET - DAEWOO 220		48068-26130	0788662	TOYOTA	1499
4806300	0795337	OPEL	1011	48068-26131	0788662	TOYOTA	1499
4806301 *	0405337	CHEVROLET - DAEWOO 220		48068-26132	0788662	TOYOTA	1499
4806301 *	0405337	OPEL	1011	48068-28120	0784338	TOYOTA	1467, 1522
4806301	0785337	CHEVROLET - DAEWOO 220		48068-29265	0783104	TOYOTA	1461
4806301	0785337	OPEL	1011	48068-30290	0389285	LEXUS	699
4806304	0595337	CHEVROLET - DAEWOO 220		48068-30300 *	1216187	LEXUS	699
4806304	0595337	OPEL	1011	48068-30300	0389285	LEXUS	699
4806305	0585337	CHEVROLET - DAEWOO 220		48068-33010	0782776	TOYOTA	1466
4806305	0585337	OPEL	1011	48068-33020	0782776	TOYOTA	1466
48066-29075	0383102	TOYOTA	1499	48068-33030	0782777	TOYOTA	1466
48066-29085	0383102	TOYOTA	1499	48068-33050	0784338	TOYOTA	1467, 1522
48067-29075	0393102	TOYOTA	1499	48068-33060	0784338	TOYOTA	1467, 1522
48067-29085	0393102	TOYOTA	1499	48068-35080	0782622	TOYOTA	1456, 1511
48068-02010	0784414	TOYOTA	1482	48068-35081	0782622	TOYOTA	1456, 1511
48068-02070	0783113	TOYOTA	1483	48068-42012	0784411	TOYOTA	1524
48068-02130	0783094	TOYOTA	1457, 1484, 1535	48068-42022	0784411	TOYOTA	1524
48068-05050	0784418	TOYOTA	1458	48068-42040	0784409	TOYOTA	1525
				48068-42041	0784409	TOYOTA	1525

RIF. ORIG. O.E. NUMBER	RIF. OCAP OCAP REF.	MARCA MAKE	PAG.	RIF. ORIG. O.E. NUMBER	RIF. OCAP OCAP REF.	MARCA MAKE	PAG.
48068-42050 *	1216413	TOYOTA	1526	48069-0K040	0794149	TOYOTA	1505
48068-42050	0783095	TOYOTA	1526	48069-12110	0793667	TOYOTA	1480
48068-42051	0783095	TOYOTA	1526	48069-12130	0793672	TOYOTA	1481
48068-42060 *	0785795	TOYOTA	1527	48069-12160	0794414	TOYOTA	1482
48068-42060	0785794	TOYOTA	1527	48069-12170	0794414	TOYOTA	1482
48068-44010	0783098	TOYOTA	1520	48069-12171	0794414	TOYOTA	1482
48068-48010	0385499	LEXUS	703	48069-12180	0794414	TOYOTA	1482
48068-49045 *	0403104	TOYOTA	1461	48069-12181	0794414	TOYOTA	1482
48068-49045	0783104	TOYOTA	1461	48069-12190	0794414	TOYOTA	1482
48068-49065	0783104	TOYOTA	1461	48069-12191	0794414	TOYOTA	1482
48068-53010 *	1216186	LEXUS	700	48069-12260 *	0798078	TOYOTA	1483
48068-53010	0389282	LEXUS	700	48069-12260	0793113	TOYOTA	1483
48068-59025	0389282	LEXUS	700	48069-12300	0798073	TOYOTA	1457, 1484, 1535
48068-59035 *	0402354	TOYOTA	1536	48069-19045	0793661	TOYOTA	1475
48068-59035	0781516	TOYOTA	1536	48069-19065	0793662	TOYOTA	1476
48068-59055	0782994	TOYOTA	1536	48069-19125	0793662	TOYOTA	1476
48068-59145	0783299	TOYOTA	1534, 1537	48069-20150	0793663	TOYOTA	1478
48068-60010 *	0404561	TOYOTA	1513	48069-20151	0793663	TOYOTA	1478
48068-60010	0784561	TOYOTA	1513	48069-20260	0794407	TOYOTA	1471
48068-87205	0783326	DAIHATSU	326	48069-20260	0794407	TOYOTA	1471
48068-87208	0303328	DAIHATSU	327	48069-20380	0793089	TOYOTA	1473
48068-87209	0382469	DAIHATSU	328-329	48069-20381	0793089	TOYOTA	1473
48068-87405	0782460	DAIHATSU	336	48069-26070	0793101	TOYOTA	1499
48068-87507	0783327	DAIHATSU	332	48069-26071	0793101	TOYOTA	1499
48068-87512	0383010	PIAGGIO	1157	48069-26130	0798662	TOYOTA	1499
48068-87704	0783324	DAIHATSU	321	48069-26131	0798662	TOYOTA	1499
48068-87705	0383306	DAIHATSU	322	48069-26132	0798662	TOYOTA	1499
48068-87706	0383306	DAIHATSU	322	48069-28120	0794338	TOYOTA	1467, 1522
48068-87706	0383325	DAIHATSU	323	48069-29265	0793104	TOYOTA	1461
48068-87710	0393277	DAIHATSU	330	48069-30290 *	1216187	LEXUS	699
48068-87711	0383277	DAIHATSU	330	48069-30290	0399285	LEXUS	699
48068-97202	0382779	DAIHATSU	329	48069-30300	0399285	LEXUS	699
48068-B1020	0782781	DAIHATSU	335	48069-33010	0792776	TOYOTA	1466
48068-B1020	0782781	SUBARU	1417	48069-33020	0792776	TOYOTA	1466
48068-B4010 *	1216244	DAIHATSU	337	48069-33030	0792777	TOYOTA	1466
48068-B4010	0785760	DAIHATSU	337	48069-33050	0794338	TOYOTA	1467, 1522
48068-B4011 *	0405760	DAIHATSU	337	48069-33060	0794338	TOYOTA	1467, 1522
48068-B4011	0785760	DAIHATSU	337	48069-35080	0792622	TOYOTA	1456, 1511
48068-F4010	0788688	TOYOTA	1474	48069-35081	0792622	TOYOTA	1456, 1511
48069-02010	0794414	TOYOTA	1482	48069-42012	0794411	TOYOTA	1524
48069-02070	0793113	TOYOTA	1483	48069-42022	0794411	TOYOTA	1524
48069-02130	0793094	TOYOTA	1457, 1460, 1484, 1535	48069-42040	0794409	TOYOTA	1525
48069-05050	0794418	TOYOTA	1458	48069-42041	0794409	TOYOTA	1525
48069-05070	0792590	TOYOTA	1459	48069-42050	0793095	TOYOTA	1526
48069-05080	0793094	TOYOTA	1457, 1460, 1484	48069-42051	0793095	TOYOTA	1526
48069-09015	0793299	TOYOTA	1534, 1537	48069-42060 *	0795795	TOYOTA	1527
48069-09030	0793299	TOYOTA	1534, 1537	48069-42060	0795794	TOYOTA	1527
48069-09040 *	0402354	CITROEN	255-256	48069-44010	0793098	TOYOTA	1520
48069-09040 *	0402354	PEUGEOT	1092-1093	48069-48010	0395499	LEXUS	703
48069-09040 *	0402354	TOYOTA	1462-1463, 1534, 1537	48069-49045 *	0403104	TOYOTA	1461
48069-09040	0793299	TOYOTA	1534, 1537	48069-49045	0793104	TOYOTA	1461
48069-09140	0793299	TOYOTA	1534, 1537	48069-49065	0793104	TOYOTA	1461
48069-0F010	0795189	TOYOTA	1485	48069-53010 *	1216186	LEXUS	700
48069-0F030	0798073	TOYOTA	1457, 1484, 1535	48069-53010	0399282	LEXUS	700
48069-0H010	0792354	CITROEN	255	48069-59025	0399282	LEXUS	700
48069-0H010	0792354	PEUGEOT	1092	48069-59035 *	0402354	TOYOTA	1536
48069-0H010	0792354	TOYOTA	1462	48069-59035	0791516	TOYOTA	1536
48069-0H020	0792131	CITROEN	256	48069-59055	0792994	TOYOTA	1536
48069-0H020	0792131	PEUGEOT	1093	48069-59135	0793299	TOYOTA	1534, 1537
48069-0H020	0792131	TOYOTA	1463	48069-60010 *	0404561	TOYOTA	1513
48069-0K010	0798686	TOYOTA	1506	48069-60010	0794561	TOYOTA	1513
				48069-87205	0793326	DAIHATSU	326
				48069-87208	0303328	DAIHATSU	327
				48069-87209	0392469	DAIHATSU	328-329
				48069-87405	0792460	DAIHATSU	336

RIF. ORIG. O.E. NUMBER	RIF. OCAP OCAP REF.	MARCA MAKE	PAG.	RIF. ORIG. O.E. NUMBER	RIF. OCAP OCAP REF.	MARCA MAKE	PAG.
48069-87507	0793327	DAIHATSU	332	48510-35A26	0500994	NISSAN	928, 979, 990
48069-87512	0393010	PIAGGIO	1157	48510-35A27	0500994	NISSAN	928, 979, 990
48069-87704	0793324	DAIHATSU	321	48510-4A00C	0602688	NISSAN	969
48069-87705	0393306	DAIHATSU	322	48510-50A25	0503576	NISSAN	980, 991
48069-87706	0393306	DAIHATSU	322	48510-50A26	0503577	NISSAN	980, 991
48069-87706	0393325	DAIHATSU	323	48510-50W00	0583545	NISSAN	965
48069-97202	0392779	DAIHATSU	329	48510-51A25	0503576	NISSAN	980, 991
48069-B1020	0792781	DAIHATSU	335	48510-53A25	0503576	NISSAN	980, 991
48069-B1020	0792781	SUBARU	1417	48510-53A26	0503576	NISSAN	980, 991
48069-B4010	0795760	DAIHATSU	337	48510-70A25	0500994	NISSAN	928, 979, 990
48069-B4011 *	1216243	DAIHATSU	337	48510-70A27	0500994	NISSAN	928, 979, 990
48069-B4011	0795760	DAIHATSU	337	48510-7F000	0503589	NISSAN	965, 994
48069-F4010	0798688	TOYOTA	1474	485109X100	0506590	NISSAN	927
4808602 *	0605337	CHEVROLET - DAEWOO 220		485109X101	0506590	NISSAN	927
4808602 *	0605337	OPEL	1011	48510-A0600	0583512	NISSAN	930, 988, 1003
4810831 *	1216025	OPEL	1011	48510-D0100	0500994	NISSAN	928, 979, 990
4810831	0795337	CHEVROLET - DAEWOO 220		48510-D0125	0500994	NISSAN	928, 979, 990
4810831	0795337	OPEL	1011	48510D8600	0506590	NISSAN	927
4812870 *	0405337	CHEVROLET - DAEWOO 220		48510-F3900	0509411	NISSAN	935
4812870 *	0405337	OPEL	1011	48510F3900	0509411	NISSAN	935
4812870 **	1216024	CHEVROLET - DAEWOO 220		48510-F3901	0509411	NISSAN	935
4812870 **	1216024	OPEL	1011	48510F3901	0509411	NISSAN	935
4812870	0785337	CHEVROLET - DAEWOO 220		48510-G2525	0583581	NISSAN	1001
4812870	0785337	OPEL	1011	48510-H1025	0583572	NISSAN	987
4817515	0585337	CHEVROLET - DAEWOO 220		48510-H5025	0583572	NISSAN	987
4817515	0585337	OPEL	1011	48510LA20A	0506590	NISSAN	927
4817516	0595337	CHEVROLET - DAEWOO 220		48510-LA21D	0509411	NISSAN	935
4817516	0595337	OPEL	1011	48510LA21D	0509411	NISSAN	935
4817539	0505169	OPEL	1011	48510-Q0125	0501221	NISSAN	931-932, 942
4817547 *	0605337	CHEVROLET - DAEWOO 220		48510-R8000	0583530	NISSAN	934
4817547 *	0605337	OPEL	1011	48510-R8025	0583530	NISSAN	934
4817776	1216025	CHEVROLET - DAEWOO 220		48510-S0125	0501221	NISSAN	931-932, 942
4817869	1216025	CHEVROLET - DAEWOO 220		48510-T3026	0583530	NISSAN	934
482030001R	0905336	RENAULT	1206	48510-T3060	0583530	NISSAN	934
48203-00QAE *	1211589	NISSAN	954	48510-T3065	0583530	NISSAN	934
48203-00QAE	0903807	NISSAN	954	48510-U0100	0583512	NISSAN	930, 988, 1003
48203-0586R	0905584	RENAULT	1181, 1189	48510-W5000	0583564	NISSAN	928, 989, 1004
482030586R	0905584	RENAULT	1181, 1189	48510-W5025	0583564	NISSAN	928, 989, 1004
48203-1U61A	0902665	NISSAN	949	48510-Y9500	0583581	NISSAN	1001
48203-3U025	0902665	NISSAN	949	48513-9X200	0186592	NISSAN	935
482036715R *	1211586	RENAULT	1195, 1257	485139X20A	0186592	NISSAN	935
482036715R	0903216	RENAULT	1195, 1257	485200001R	0295336	RENAULT	1206-1207
48203-AX600	0904403	NISSAN	949	485200002R	0285336	RENAULT	1206-1207
48203-AX600	0904403	RENAULT	1188	48520-00QOE	0281536	NISSAN	955
48203-JD01A	0904635	RENAULT	1202	48520-00QOF	0291536	NISSAN	955
4820932	1216025	CHEVROLET - DAEWOO 220		48520-00QAH	0291495	NISSAN	939
48210481005	0294273	MERCEDES	791	48520-00QAH	0291495	OPEL	1049
48210481006	0284273	MERCEDES	791	48520-00QAH	0291495	RENAULT	1209
48251-1700	0602953	NISSAN	947	48520-00QAH	0291495	VAUXHALL	1561
48307 *	0901198	TALBOT	1443, 1451	48520-00QAJ	0281495	NISSAN	939
48307	1211136	TALBOT	1443, 1451	48520-00QAJ	0281495	OPEL	1049
4835708	0795182	SAAB	1301	48520-00QAJ	0281495	RENAULT	1209
4835716	0785182	SAAB	1301	48520-00QAJ	0281495	VAUXHALL	1561
4836540	0281693	SAAB	1301	48520-00QAK	0293875	NISSAN	954, 972
4836557	0601691	SAAB	1301	48520-00QAK	0293875	OPEL	1065, 1067
48510-01G25	0504174	NISSAN	963	48520-00QAK	0293875	RENAULT	1193, 1204, 1267, 1269
48510-01L25	0502946	NISSAN	943	48520-00QAK	0293875	VAUXHALL	1570
48510-01W00	0500164	NISSAN	963	48520-00QAL	0283875	NISSAN	954, 972
48510-11A27	0500994	NISSAN	928, 979, 990	48520-00QAL	0283875	OPEL	1065, 1067
48510-31G25	0503589	NISSAN	965, 994	48520-00QAL	0283875	RENAULT	1193, 1204, 1267, 1269
48510-35A25	0503575	NISSAN	990	48520-00QAL	0283875	VAUXHALL	1570
				48520-00QAM *	0604424	NISSAN	954
				48520-00QAM	0604424	NISSAN	972

RIF. ORIG. O.E. NUMBER	RIF. OCAP OCAP REF.	MARCA MAKE	PAG.	RIF. ORIG. O.E. NUMBER	RIF. OCAP OCAP REF.	MARCA MAKE	PAG.
48520-00QAM	0604424	OPEL	1065, 1067	48520-3S525	0284511	NISSAN	957, 967, 1005
48520-00QAM	0604424	RENAULT	1267, 1269	48520-3U025	0282665	NISSAN	938, 949, 953, 995
48520-00QAM	0604424	VAUXHALL	1570	48520-41L00	0282949	NISSAN	943
48520-00QAM	0604424-K	NISSAN	954	48520-41L25	0282949	NISSAN	943
48520-00QAN	0291524	NISSAN	941, 970	48520-41L26	0282949	NISSAN	943
48520-00QAN	0291524	RENAULT	1185, 1199, 1214, 1270, 1272	48520-41L27	0282949	NISSAN	943
48520-00QAP	0281524	NISSAN	941, 970	485204628R	0295770	RENAULT	1273
48520-00QAP	0281524	RENAULT	1185, 1199, 1214, 1270, 1272	485204628R	0295770	SMART	1401, 1403
48520-01B25	0283540	NISSAN	947	485204680R	0283216	RENAULT	1195, 1219, 1257
48520-01E00	0283550	NISSAN	922, 924, 933, 973, 975-977, 985, 992	485204710R	0293216	RENAULT	1195
48520-01E25	0283550	NISSAN	922, 924, 933, 973, 975-977, 985, 992	48520-4A00B	0281846	NISSAN	969
48520-01E26	0283550	NISSAN	922, 924, 933, 973, 975-977, 985, 992	48520-4A00B	0281846	OPEL	1009
48520-01F25	0281222	NISSAN	932, 944, 986	48520-4A00B	0281846	SUZUKI	1424, 1436
48520-01G25	0194175	NISSAN	963	48520-4F125	0280914	NISSAN	947
48520-01J00	0184143	NISSAN	961	48520-50A00	0280139	NISSAN	980, 991, 997
48520-01J10	0284144	NISSAN	961	48520-50A25	0280139	NISSAN	980, 991, 997
48520-01L01	0192947	NISSAN	943	48520-50A26	0280139	NISSAN	980, 991, 997
48520-01L25	0192947	NISSAN	943	48520-50J25	0283550	NISSAN	922, 924, 933, 973, 975-977, 985, 992
48520-01N25	0284642	NISSAN	999	48520-50W00	0183546	NISSAN	965
48520-01W00	0190162	NISSAN	963	48520-50Y25	0283550	NISSAN	922, 924, 933, 973, 975-977, 985, 992
48520-02E00	0283550	NISSAN	922, 924, 933, 973, 975-977, 985, 992	48520-53E25	0283526	NISSAN	933, 971
48520-02E25	0283550	NISSAN	922, 924, 933, 973, 975-977, 985, 992	48520-61G25	0182890	NISSAN	965, 993
48520-02E26	0280090	NISSAN	928, 937, 979, 990, 996	485206481R	0298500	RENAULT	1194, 1220, 1258
48520-0368R	0295583	RENAULT	1181, 1189	485206730R	0291536	RENAULT	1211
485200368R	0295583	RENAULT	1181, 1189	48520-6F625	0280914	NISSAN	947
485200410R	0282450	DACIA	316, 318-319	48520-71L25	0282950	NISSAN	943
485200410R	0282450	RENAULT	1264	48520-73J25	0283550	NISSAN	922, 924, 933, 973, 975-977, 985, 992
485200780R	0281536	RENAULT	1211	48520-7F000	0183588	NISSAN	965, 993-994
48520-0M025	0283550	NISSAN	922, 924, 933, 973, 975-977, 985, 992	48520-7F001	0193588	NISSAN	965, 993-994
48520-0M085	0284178	NISSAN	924, 926, 946	48520-8355R	0285583	RENAULT	1181, 1189
48520-0P725	0284511	NISSAN	957, 967, 1005	485208355R	0285583	RENAULT	1181, 1189
48520-0W025	0284511	NISSAN	957, 967, 1005	48520-88E25	0282957	NISSAN	945
485201340R	0288500	RENAULT	1194, 1220, 1258	485208910R	0285770	RENAULT	1273
48520-15U25	0284178	NISSAN	924, 926, 946	485208910R	0285770	SMART	1401, 1403
48520-15U26	0284178	NISSAN	924, 926, 946	48520-9C000	0283550	NISSAN	922, 924, 933, 973, 975-977, 985, 992
48520-17B25	0283540	NISSAN	947	48520-9C025 *	0604639	NISSAN	985
48520-21P25	0283582	NISSAN	923	48520-9C025	0283550	NISSAN	922, 924, 933, 973, 975-977, 985, 992
485202710R	0293216	RENAULT	1219, 1257	48520-A03G0	0180088	NISSAN	996
48520-27N25	0284643	NISSAN	999	48520-A0600	0283509	NISSAN	930, 988, 1001, 1003
485202867R	0292450	DACIA	316, 318-319	48520-AX600	0284379	NISSAN	949
485202867R	0292450	RENAULT	1264	48520-AX602	0282664	NISSAN	949
48520-2J025	0283550	NISSAN	922, 924, 933, 973, 975-977, 985, 992	48520-BM425	0284397	NISSAN	925
48520-2S425	0193116	NISSAN	967	48520-CA025	0286500	NISSAN	951
48520-2S485	0193116	NISSAN	967	48520-CB025	0286500	NISSAN	951
48520-31C00	0284647	NISSAN	1002	48520-D0100	0280090	NISSAN	928, 937, 979, 990, 996
48520-31G25	0183588	NISSAN	965, 993-994	48520-D0125	0280090	NISSAN	928, 937, 979, 990, 996
48520-3S500	0284511	NISSAN	957, 967, 1005	48520-D0126	0280090	NISSAN	928, 937, 979, 990, 996
				48520-E0100	0284647	NISSAN	1002
				48520-EA01J	0294616	NISSAN	958
				48520-G2525	0293509	NISSAN	930, 988, 1001,

RIF. ORIG. O.E. NUMBER	RIF. OCAP OCAP REF.	MARCA MAKE	PAG.	RIF. ORIG. O.E. NUMBER	RIF. OCAP OCAP REF.	MARCA MAKE	PAG.
			1003	48521-1M225	0604510	NISSAN	924
48520-G5101	0294647	NISSAN	1002	48521-1M226	0604510	NISSAN	924
48520-G5125	0294647	NISSAN	1002	485212309R	0608680	RENAULT	1194
48520-G9502	0193835	NISSAN	960	485212373R *	0901536	RENAULT	1211
48520-H5025	0283553	NISSAN	928, 986-987, 989, 1004	48521-2518R *	0605783	NISSAN	983
48520-M0225	0280360	NISSAN	937, 978	48521-2518R *	0605783	RENAULT	1196
48520-M3025	0280360	NISSAN	937, 978	48521-27N00	0604644	NISSAN	999
48520-N8425	0283557	NISSAN	986	48521-2S425	0183115	NISSAN	967
48520-Q0125	0191217	NISSAN	931-932, 942	48521-2S485	0183115	NISSAN	967
48520-Q9000	0283550	NISSAN	922, 924, 933, 973, 975-977, 985, 992	485213172R *	0908099	DACIA	316, 319
				485213172R *	0908099	RENAULT	1264
				485213172R	0608099	DACIA	316, 319
				485213172R	0608099	RENAULT	1264
48520-R8000	0593530	NISSAN	934	48521-31G25	0193588	NISSAN	965, 993-994
48520-R8025	0593530	NISSAN	934	48521-35A00	0603575	NISSAN	980, 990-991
48520-S0101	0191217	NISSAN	931-932, 942	48521-35A06	0603575	NISSAN	980, 990-991
48520-S0102	0191217	NISSAN	931-932, 942	48521-35F00	0600993	NISSAN	928, 933, 937, 947, 971, 979- 980, 990-991, 996
48520-S0125	0191217	NISSAN	931-932, 942				
48520-T3026	0593530	NISSAN	934	48521-3U025	0602665	NISSAN	938, 949, 953, 995
48520-T3060	0593530	NISSAN	934				
48520-T3065	0593530	NISSAN	934	48521-40U25	0604491	NISSAN	946
48520-U0100	0283509	NISSAN	930, 988, 1001, 1003	48521-4M500	0602574	NISSAN	925
				48521-4M527	0602574	NISSAN	925
48520-U5200	0283509	NISSAN	930, 988, 1001, 1003	48521-4M528	0602574	NISSAN	925
				48521-4M587	0602574	NISSAN	925
48520-VB025	0184146	NISSAN	962	48521-4U110	0602822	NISSAN	926
48520-VW000	0284644	NISSAN	936, 1000	48521-4U185	0602822	NISSAN	926
48520-VW025	0284644	NISSAN	936, 1000	48521-4U186	0602822	NISSAN	926
48520-W1025	0281222	NISSAN	932, 944, 986	48521-50400	0602889	NISSAN	922, 924, 975, 992
48520-W5025	0283553	NISSAN	928, 986-987, 989, 1004				
48520-Y0100	0284647	NISSAN	1002	48521-50W00	0193547	NISSAN	965
485210001R	0605336	RENAULT	1206	48521-50Y00	0602889	NISSAN	922, 924, 975, 992
48521-00Q0E *	0601536	NISSAN	955				
48521-00Q0E *	0601536	OPEL	1051	485215612R	0603216-K	RENAULT	1195, 1219, 1257
48521-00Q0E *	0601536	RENAULT	1211				
48521-00Q0E	0901536	NISSAN	955	485215653 *	0605770	RENAULT	1273
48521-00QAA	0604203	NISSAN	941, 970	485215653 *	0605770	SMART	1401, 1403
48521-00QAA	0604203	RENAULT	1185, 1199	485216564R	0608501	RENAULT	1220, 1258
48521-00QAF	0603811	NISSAN	939	48521-70A00	0600993	NISSAN	928, 933, 937, 947, 971, 979- 980, 990-991, 996
48521-00QAF	0603811	OPEL	1049				
48521-00QAF	0603811	RENAULT	1209	48521-70A06	0600993	NISSAN	928, 933, 937, 947, 971, 979- 980, 990-991, 996
48521-00QAF	0603811	VAUXHALL	1561				
48521-00QAG	0602377	NISSAN	941, 970	48521-70A16	0600993	NISSAN	928, 933, 937, 947, 971, 979- 980, 990-991, 996
48521-00QAG	0602377	RENAULT	1184, 1199, 1262				
48521-01B25	0602953	NISSAN	947	48521-71C00	0602951	NISSAN	943, 945, 973, 976
48521-01F00	0691223	NISSAN	923, 932, 943- 944, 986	48521-71V06	0602951	NISSAN	943, 945, 973, 976
48521-01F06	0691223	NISSAN	923, 932, 943- 944, 986	48521-72E00	0602951	NISSAN	943, 945, 973, 976
48521-01G25	0184174	NISSAN	963	48521-72E06	0602951	NISSAN	943, 945, 973, 976
48521-01L01	0182948	NISSAN	943				
48521-01L25	0182948	NISSAN	943	485218799R	0605740	RENAULT	1207
48521-01N25	0294641	NISSAN	999	48521-8H300	0604512	NISSAN	1005
48521-01W00	0180163	NISSAN	963	48521-8H325	0604512	NISSAN	1005
48521-06R05	0602951	NISSAN	943, 945, 973, 976	48521-8H385	0604512	NISSAN	1005
				48521-A03G0	0600089	NISSAN	996
48521-0C025	0604491	NISSAN	946	48521-A0600	0293510	NISSAN	930, 988, 1001, 1003
48521-0W025	0602575	NISSAN	957				
48521-0W026	0602575	NISSAN	957				
48521-1071R *	0605583	RENAULT	1181, 1189				
48521-1071R	0905583	RENAULT	1181, 1189				
485211071R	0905583	RENAULT	1181, 1189				
48521-1725	0602953	NISSAN	947				
48521-1M210	0604510	NISSAN	924				

RIF. ORIG. O.E. NUMBER	RIF. OCAP OCAP REF.	MARCA MAKE	PAG.	RIF. ORIG. O.E. NUMBER	RIF. OCAP OCAP REF.	MARCA MAKE	PAG.
48521-CA025	0606500	NISSAN	951	48570-01J10	0294144	NISSAN	961
48521-D0100	0600993	NISSAN	928, 933, 937, 947, 971, 979- 980, 990-991, 996	48570-31G25	0193588	NISSAN	965, 993-994
48521-EA000	0604617	NISSAN	958	48570-3S500	0294511	NISSAN	967
48521-G2525	0283510	NISSAN	930, 988, 1001, 1003	48570-3S525	0294511	NISSAN	967
48521-G5101	0284648	NISSAN	1002	48570-82100	0183544	NISSAN	960
48521-G5125	0284648	NISSAN	1002	48570-B5000	0284647	NISSAN	1002
48521-H1001	0293554	NISSAN	928, 986-987, 989, 1004	48570-B9500	0284647	NISSAN	1002
48521-H5025	0293554	NISSAN	928, 986-987, 989, 1004	48570-B9525	0284647	NISSAN	1002
48521-M3070	0603577	NISSAN	937, 978	48570-G9501	0183835	NISSAN	960
48521-M7000	0603577	NISSAN	937, 978	48570-J5100	0183544	NISSAN	960
48521-P9001	0691223	NISSAN	923, 932, 943- 944, 986	48570-VB025	0194146	NISSAN	962
48521-Q0125	0181221	NISSAN	923, 931-932	48571-T3001	0193529	NISSAN	934, 998
48521-S0101	0181221	NISSAN	923, 931-932	48571-T3025	0193529	NISSAN	934, 998
48521-S0102	0181221	NISSAN	923, 931-932	48580-82100	0193544	NISSAN	960
48521-S0103	0181221	NISSAN	923, 931-932	48580-J5100	0193544	NISSAN	960
48521-S0125	0181221	NISSAN	923, 931-932	48605-35030	0783799	TOYOTA	1503
48521-S0126	0181221	NISSAN	923, 931-932	48606-35030	0793799	TOYOTA	1503
48521-U0100	0293510	NISSAN	930, 988, 1001, 1003	48610-OK010	0788687	TOYOTA	1506
48521-U5200	0293510	NISSAN	930, 988, 1001, 1003	48610-OK040	0785200	TOYOTA	1505, 1507
48521-W1000	0691223	NISSAN	923, 932, 943- 944, 986	48610-29075	0792972	TOYOTA	1498
48521-W1001	0691223	NISSAN	923, 932, 943- 944, 986	48610-29085	0782972	TOYOTA	1498
48521-W5025	0293554	NISSAN	928, 986-987, 989, 1004	48610-32040	0782624	TOYOTA	1456, 1511
48521-X08G1	0603602	NISSAN	997	48610-39015	0389286	LEXUS	699
48521-Y02G0	0602889	NISSAN	922, 924, 975, 992	48610-59025 *	0409283	LEXUS	700
48527-1U61A	0282665	NISSAN	938, 949, 953, 995	48610-59025	0789283	LEXUS	700
48527-9X62A	0186592	NISSAN	935	48610-60030	0784558	TOYOTA	1512
48527-JD01A	0283123	NISSAN	981, 1006	48610-60050	0784560	TOYOTA	1513
48527-JD01A	0283123	RENAULT	1202	48620-60010 *	0404559	TOYOTA	1512
48530-01G00	0303259	NISSAN	965	48620-60010	0784559	TOYOTA	1512
48530-01G25	0303259	NISSAN	965	48630-01G25	0504174	NISSAN	963
48530-21000	0403513	NISSAN	930, 988, 1003	48630-01W00	0500164	NISSAN	963
48530-21400	0303516	NISSAN	930, 988, 1003	48630-OK010	0798687	TOYOTA	1506
48530-31G25	0303590	NISSAN	993	48630-OK040	0795200	TOYOTA	1505, 1507
48530-35G25	0303591	NISSAN	993	48630-35020	0792624	TOYOTA	1456, 1511
48530-H1600	0303579	NISSAN	987	48630-39015	0399286	LEXUS	699
48530-H5000	0303569	NISSAN	928, 987, 989, 1004	48630-50W00	0593545	NISSAN	965
48530-H6100	0303568	NISSAN	928, 987, 989, 1004	48630-59025 *	0409283	LEXUS	700
48530-N8500	0303560	NISSAN	986	48630-59025	0799283	LEXUS	700
48560-01G25	0503258	NISSAN	963	48630-60010	0794558	TOYOTA	1512
48560-21400	0503514	NISSAN	930, 1003	48630-60020	0794560	TOYOTA	1513
48560-3S125	0503117	NISSAN	967	48630-A0600	0593512	NISSAN	930, 988, 1003
48560-3S525	0503118	NISSAN	967	48630-G2525	0593581	NISSAN	1001
48560-H1025	0593572	NISSAN	987	48630-H5025	0593572	NISSAN	987
48560-H5000	0503571	NISSAN	987	48630-R8025	0593530	NISSAN	934
48560-U2000	0503514	NISSAN	930, 1003	48630-S0125	0501221	NISSAN	931-932, 942
48560-U5200	0503514	NISSAN	930, 1003	48630-U0100	0593512	NISSAN	930, 988, 1003
48560-W5000	0503566	NISSAN	928, 989, 1004	48630-W5000	0593564	NISSAN	928, 989, 1004
48560-W5700	0503565	NISSAN	928, 989, 1004	48630-W5025	0593564	NISSAN	928, 989, 1004
48561-T3001	0183529	NISSAN	934, 998	48630-Y9500	0593581	NISSAN	1001
48561-T3025	0183529	NISSAN	934, 998	48632-60020	1216182	TOYOTA	1513
				48640-01F25	0291222	NISSAN	932, 944, 986
				48640-01N25	0294641	NISSAN	999
				48640-3U025	0292665	NISSAN	938, 949, 953, 995
				48640-50W00	0193546	NISSAN	965
				48640-60010 *	0404559	TOYOTA	1512
				48640-60010	0794559	TOYOTA	1512
				48640-A0600	0293509	NISSAN	930, 988, 1001, 1003
				48640-AX600	0294379	NISSAN	949
				48640-AX602	0292664	NISSAN	949
				48640-EA01J	0284616	NISSAN	958
				48640-G2525	0283509	NISSAN	930, 988, 1001, 1003
				48640-G5101	0284647	NISSAN	1002

RIF. ORIG. O.E. NUMBER	RIF. OCAP OCAP REF.	MARCA MAKE	PAG.	RIF. ORIG. O.E. NUMBER	RIF. OCAP OCAP REF.	MARCA MAKE	PAG.
48640-G5125	0284647	NISSAN	1002				1520
48640-H5025	0293553	NISSAN	928, 986-987, 989, 1004	48810-26030	0593103	TOYOTA	1499
48640-N8425	0293557	NISSAN	986	48810-28010	0594323	TOYOTA	1521, 1531
48640-U0100	0293509	NISSAN	930, 988, 1001, 1003	48810-30010	0595500	LEXUS	699
48640-U5200	0293509	NISSAN	930, 988, 1001, 1003	48810-30020	0595500	LEXUS	699
48640-W1025	0291222	NISSAN	932, 944, 986	48810-30070	0595498	LEXUS	702
48640-W5025	0293553	NISSAN	928, 986-987, 989, 1004	48810-33010	0592293	LEXUS	703
48641-01N25	0284642	NISSAN	999	48810-33010	0592293	TOYOTA	1466
48641-50W00	0183547	NISSAN	965	48810-53010	0595497	LEXUS	702
48641-A0600	0283510	NISSAN	930, 988, 1001, 1003	48810-60001	0183611	SUZUKI	1426
48641-G2525	0293510	NISSAN	930, 988, 1001, 1003	48810-60010	0592627	TOYOTA	1509
48641-G5101	0294648	NISSAN	1002	48810-60040	0594562	TOYOTA	1506-1507, 1514
48641-G5125	0294648	NISSAN	1002	48810-60810	0281846	NISSAN	969
48641-H1001	0283554	NISSAN	928, 986-987, 989, 1004	48810-60810	0281846	OPEL	1009
48641-H5025	0283554	NISSAN	928, 986-987, 989, 1004	48810-60810	0281846	SUZUKI	1424, 1436
48641-U0100	0283510	NISSAN	930, 988, 1001, 1003	48810-60A00	0183620	SUZUKI	1433, 1439
48641-U5200	0283510	NISSAN	930, 988, 1001, 1003	48810-60A00-000	0182980	SUZUKI	1440
48641-W5025	0283554	NISSAN	928, 986-987, 989, 1004	48810-60B00	0283616	OPEL	1009
48647-1U61A	0292665	NISSAN	938, 949, 953, 995	48810-60B00	0283616	SUBARU	1415-1416
48647-JD01A	0293123	NISSAN	981, 1006	48810-60B00	0283616	SUZUKI	1425, 1430, 1432, 1434- 1435, 1441
48647-JD01A	0293123	RENAULT	1202	48810-60B00	0283616	VAUXHALL	1538
48650-20020	0505185	TOYOTA	1458	48810-60J00	0281846	NISSAN	969
48654-02040	1216320	TOYOTA	1457, 1460, 1474, 1484, 1526-1527, 1535	48810-60J00	0281846	OPEL	1009
48654-0H010	1215763	CITROEN	256	48810-60J00	0281846	SUZUKI	1424, 1436
48654-0H010	1215763	PEUGEOT	1093	48810-63J00	0281846	NISSAN	969
48654-0H010	1215763	TOYOTA	1463	48810-63J00	0281846	OPEL	1009
48654-60030	1216180	TOYOTA	1513	48810-63J00	0281846	SUZUKI	1424, 1436
48654-B2010	1216274	DAIHATSU	335	48810-65D00	0282986	SUZUKI	1428
48654-B2010	1216274	SUBARU	1417	48810-65J00	0282631	FIAT	390
48655-02060	1216321	TOYOTA	1457, 1460, 1484, 1527, 1535	48810-65J00	0282631	SUZUKI	1429, 1438
48655-0H010	1215762	CITROEN	256	48810-67D00	0282986	SUZUKI	1428
48655-0H010	1215762	PEUGEOT	1093	48810-68L00	0285755	SUZUKI	1437
48655-0H010	1215762	TOYOTA	1463	48810-76G00	0283616	OPEL	1009
48655-60030	1216181	TOYOTA	1513	48810-76G00	0283616	SUBARU	1415-1416
48655-B1010	1216275	DAIHATSU	335	48810-76G00	0283616	SUZUKI	1425, 1430, 1432, 1434- 1435, 1441
48655-B1010	1216275	SUBARU	1417	48810-76G00	0283616	VAUXHALL	1538
4873V002000000 *0601842		SMART	1399	48810-77E00	0182980	SUZUKI	1440
48800-60A00	0503619	SUZUKI	1439	48810-78000	0183606	SUZUKI	1423
48800-84C50	0501782	SUZUKI	1433	48810-78000	0183606	SUZUKI	1423
48802-87703	0502448	DAIHATSU	328, 330	48810-78001	0183606	SUZUKI	1423
48810-05012	0591922	TOYOTA	1458, 1471, 1520	48810-78002	0183606	SUZUKI	1423
48810-0K010	0594562	TOYOTA	1506-1507, 1514	48810-78A00	0282990	SUZUKI	1427
48810-0K020	0594562	TOYOTA	1506-1507, 1514	48810-78A01	0282990	SUZUKI	1427
48810-20010	0592295	TOYOTA	1470	48810-79000	0183612	SUZUKI	1426
48810-20020	0591922	TOYOTA	1458, 1471, 1520	48810-79J00	0282631	FIAT	390
48810-20040	0581922	TOYOTA	1458, 1471,	48810-79J00	0282631	SUZUKI	1429, 1438
				48810-79J01	0282631	FIAT	390
				48810-79J01	0282631	SUZUKI	1429, 1438
				48810-80000	0183620	SUZUKI	1433, 1439
				48810-81A00	0182762	SUZUKI	1431
				48810-82000	0283616	OPEL	1009
				48810-82000	0283616	SUBARU	1415-1416
				48810-82000	0283616	SUZUKI	1425, 1430, 1432, 1434- 1435, 1441
				48810-82000	0283616	VAUXHALL	1538
				48810-83300	0183620	SUZUKI	1433, 1439
				48810-83E00	0283616	OPEL	1009
				48810-83E00	0283616	SUBARU	1415-1416
				48810-83E00	0283616	SUZUKI	1425, 1430, 1432, 1434- 1435, 1441

RIF. ORIG. O.E. NUMBER	RIF. OCAP OCAP REF.	MARCA MAKE	PAG.	RIF. ORIG. O.E. NUMBER	RIF. OCAP OCAP REF.	MARCA MAKE	PAG.
48810-83E00	0283616	VAUXHALL	1538	48820-42020	0502610	TOYOTA	1525
48810-83E01	0283616	OPEL	1009	48820-42030	0503096	TOYOTA	1457, 1460, 1484, 1526- 1527, 1535
48810-83E01	0283616	SUBARU	1415-1416	48820-42070	0503096	TOYOTA	1457, 1460, 1484, 1526- 1527, 1535
48810-83E01	0283616	SUZUKI	1425, 1430, 1432, 1434- 1435, 1441	48820-44020	0502630	TOYOTA	1461
48810-83E01	0283616	VAUXHALL	1538	48820-47010	0502591	TOYOTA	1459, 1483, 1485, 1523
48810-83E02	0283616	OPEL	1009	48820-47020	0503096	TOYOTA	1457, 1460, 1484, 1526- 1527, 1535
48810-83E02	0283616	SUBARU	1415-1416	48820-47030	0503096	TOYOTA	1457, 1460, 1484, 1526- 1527, 1535
48810-83E02	0283616	SUZUKI	1425, 1430, 1432, 1434- 1435, 1441	48820-53010	0585497	LEXUS	702
48810-83E02	0283616	VAUXHALL	1538	48820-60001	0193611	SUZUKI	1426
48810-84000	0183608	SUZUKI	1423	48820-60010	0582627	TOYOTA	1509
48810-84001	0183608	SUZUKI	1423	48820-60050	0584562	TOYOTA	1506-1507, 1514
48810-85C00	0182980	SUZUKI	1440	48820-60A00	0193621	SUZUKI	1439
48810-A78B00	0282914	CHEVROLET - DAEWOO	227-228, 234	48820-65D00	0292986	SUZUKI	1428
48810-M84010	0183608	SUZUKI	1423	48820-67D00	0292986	SUZUKI	1428
48817-0D010 *	0502567	TOYOTA	1536	48820-68L00	0295755	SUZUKI	1437
48819-52010 *	0502567	TOYOTA	1536	48820-77E00	0192981	SUZUKI	1440
48819-70010	0902131	CITROEN	255-256	48820-78A00	0292990	SUZUKI	1427
48819-70010	0902131	PEUGEOT	1092-1093	48820-78A01	0292990	SUZUKI	1427
48819-70010	0902131	TOYOTA	1462-1463	48820-79000	0193612	SUZUKI	1426
48820-02010	0504416	TOYOTA	1466, 1472, 1481, 1524	48820-81A00	0192762	SUZUKI	1431
48820-02030	0502591	TOYOTA	1459, 1483, 1485, 1523	48820A85000-000	0193612	SUZUKI	1426
48820-05012	0581922	TOYOTA	1458, 1471, 1520	48820-AD010	0502623	TOYOTA	1456, 1511
48820-06020	0502292	TOYOTA	1466	48821-B1010	0582457	DAIHATSU	335
48820-06040	0502294	LEXUS	704	48821-B1010	0582457	SUBARU	1417
48820-06040	0502294	TOYOTA	1467, 1522	48822-87401	0502461	DAIHATSU	336
48820-0D010	0502783	TOYOTA	1534, 1537	48822-97503	0505760	DAIHATSU	337
48820-0K010	0505567	TOYOTA	1506	48830-05020	0502581	TOYOTA	1458
48820-0K030	0584562	TOYOTA	1506-1507, 1514	48830-05030	0503104	TOYOTA	1457, 1460
48820-0K040	0584562	TOYOTA	1506-1507, 1514	48830-06020	0502292	TOYOTA	1466
48820-17010	0503110	TOYOTA	1517	48830-06030	0502843	TOYOTA	1467
48820-17020	0503108	TOYOTA	1518	48830-12060	0280141	TOYOTA	1465, 1469, 1472, 1477, 1479-1482, 1491, 1524, 1536
48820-17030	0503108	TOYOTA	1518	48830-12060	0504415	TOYOTA	1482
48820-17040	0503108	TOYOTA	1518	48830-17010	0503111	TOYOTA	1517
48820-20010	0504412	TOYOTA	1472, 1480	48830-17020	0503112	TOYOTA	1517
48820-20020	0591922	TOYOTA	1458, 1471, 1520	48830-17030	0503109	TOYOTA	1518
48820-20021	0504417	TOYOTA	1482	48830-17040	0503109	TOYOTA	1518
48820-20030	0582295	TOYOTA	1470	48830-17050	0503109	TOYOTA	1518
48820-20040	0581922	TOYOTA	1458, 1471, 1520	48830-20010	0504413	TOYOTA	1465, 1471- 1472, 1480- 1481
48820-22041	0509272	LEXUS	700	48830-21020	0582592	TOYOTA	1459
48820-24010	0504565	TOYOTA	1473, 1531	48830-30080	0505500	LEXUS	699
48820-26030	0583103	TOYOTA	1499	48830-30090	0509283	LEXUS	702
48820-28010	0584323	TOYOTA	1521	48830-32010	0504413	TOYOTA	1465, 1471- 1472, 1480- 1481
48820-28050	0502294	LEXUS	704	48830-32040	0505499	LEXUS	703
48820-28050	0502294	TOYOTA	1467, 1522	48830-33010	0502292	TOYOTA	1466
48820-30030	0585500	LEXUS	699	48830-35020	0502624	TOYOTA	1456, 1511
48820-30040	0585500	LEXUS	699	48830-42010	0582784	TOYOTA	1525
48820-30090	0585498	LEXUS	702	48830-42020	0503095	TOYOTA	1526-1527
48820-32010	0503090	TOYOTA	1473	48830-42021	0503095	TOYOTA	1526-1527
48820-33010	0504416	TOYOTA	1466, 1472, 1481, 1524	48830-42022	0503095	TOYOTA	1526-1527
48820-33020	0582293	LEXUS	703				
48820-33020	0582293	TOYOTA	1466				
48820-35030	0502623	TOYOTA	1456, 1511				
48820-42010	0504421	TOYOTA	1524				

RIF. ORIG. O.E. NUMBER	RIF. OCAP OCAP REF.	MARCA MAKE	PAG.	RIF. ORIG. O.E. NUMBER	RIF. OCAP OCAP REF.	MARCA MAKE	PAG.
48830-48010	0502843	LEXUS	704	4914V002000000	*0901843	SMART	1399
48830-48010	0502843	TOYOTA	1467	4914V002000000	1211374	SMART	1399
48830-50G10	0601950	SUZUKI	1435	4A0407151	0392064	AUDI	64, 123
48830-51010	0509282	LEXUS	701	4A0407152	0382064	AUDI	64, 123
48830-54G00	0605589	SUZUKI	1432	4A0407181A	1215157	AUDI	64, 123
48830-60030	0504563	TOYOTA	1514	4A0407183D	1215156	AUDI	64, 123
48830-60B00	0603084	SUZUKI	1434-1435	4A0411327A	1214120	AUDI	64, 123
48830-60G00	0601947	SUZUKI	1425	4A0411327F	1214139	AUDI	64, 123
48830-63B10	0601926	SUBARU	1415	4A0419811A	0292066	AUDI	123
48830-63J00	0603138	OPEL	1010	4A0419812A	0282066	AUDI	123
48830-63J00	0603138	SUZUKI	1436	4A0505389	0582006	AUDI	65, 124
48830-63J00	0603138	VAUXHALL	1539	4B0407151	0301895	AUDI	50, 70, 80
48830-65D00	0601784	SUZUKI	1428	4B0407151	0301895	SKODA	1388
48830-65J00	0603126	SUZUKI	1429	4B0407151	0301895	VOLKSWAGEN	1644
48830-67D00	0602984	SUZUKI	1428	4B0407515	1215155	AUDI	50, 53, 56, 67, 70, 72-73, 78- 80, 83
48830-68L00	0605755	SUZUKI	1437				
48830-70F00	0601945	SUZUKI	1423	4B0407515	1215155	SEAT	1322
48830-75F01	0602989	SUZUKI	1430, 1441	4B0407515	1215155	SKODA	1389
48830-76G00	0602991	SUZUKI	1427, 1431	4B0407515	1215155	VOLKSWAGEN	1642, 1645, 1655
48830-77A00	0602991	SUZUKI	1427, 1431				
48830-78000	0603607	SUZUKI	1423	4B0419801B	0501889	AUDI	49, 52, 66, 78, 80
48830-78001	0603607	SUZUKI	1423				
48830-78A00	0605180	SUZUKI	1427	4B0419801B	0501889	SKODA	1388
48830-79J00	0682631	FIAT	390	4B0419801B	0501889	VOLKSWAGEN	1641, 1644
4883079J00	0682631	FIAT	390	4B0419801E	0501889	AUDI	49, 52, 66, 78, 80
48830-79J00	0682631	SUZUKI	1438				
4883079J00	0682631	SUZUKI	1438	4B0419801E	0501889	SKODA	1388
48830-79J10	0692631	FIAT	390	4B0419801E	0501889	VOLKSWAGEN	1641, 1644
4883079J10	0692631	FIAT	390	4B0419811B	0181889	AUDI	49, 52, 66, 78, 80
48830-79J10	0692631	SUZUKI	1438				
4883079J10	0692631	SUZUKI	1438	4B0419811B	0181889	SKODA	1388
48830-82000	0602958	SUZUKI	1434	4B0419811B	0181889	VOLKSWAGEN	1641, 1644
48830-82000-000	0602958	SUZUKI	1434	4B0419811E	0181889	AUDI	49, 52, 66, 78, 80
48830-83E00	0601847	OPEL	1009				
48830-83E00	0601847	SUBARU	1416	4B0419811E	0181889	SKODA	1388
48830-83E00	0601847	SUZUKI	1430, 1441	4B0419811E	0181889	VOLKSWAGEN	1641, 1644
48830-83E00	0601847	VAUXHALL	1538	4B0419811F	0181889	AUDI	49, 52, 66, 78, 80
48830-84000	0601945	SUZUKI	1423				
48830-84000-000	0601945	SUZUKI	1423	4B0419811F	0181889	SKODA	1388
48830-86G00	0601847	OPEL	1009	4B0419811F	0181889	VOLKSWAGEN	1641, 1644
48830-86G00	0601847	SUBARU	1416	4B0419811G	0181894	AUDI	52, 55, 69, 72
48830-86G00	0601847	SUZUKI	1430, 1441	4B0419811G	0181894	SEAT	1321
48830-86G00	0601847	VAUXHALL	1538	4B0419811J	0181894	AUDI	52, 55, 69, 72
48830A78B00	0604293	CHEVROLET - DAEWOO	234	4B0419811J	0181894	SEAT	1321
48830-M68K00	0602688	SUZUKI	1424	4B0501521D	1249595	AUDI	68, 71, 73
48830-M70F00	0601945	SUZUKI	1423	4B0501521D	1249595	VOLKSWAGEN	1643, 1646
48831-B1010	0592457	DAIHATSU	335	4B0501521E	1249595	AUDI	68, 71, 73
48831-B1010	0592457	SUBARU	1417	4B0501521E	1249595	VOLKSWAGEN	1643, 1646
48840-21010	0592592	TOYOTA	1459	4B0501522D	1249594	AUDI	68, 71, 73
48840-42010	0592784	TOYOTA	1525	4B0501522D	1249594	VOLKSWAGEN	1643, 1646
48850-60A00	0503618	SUZUKI	1439	4B0501522E	1249594	AUDI	68, 71, 73
48850-77E00	0502979	SUZUKI	1440	4B0501522E	1249594	VOLKSWAGEN	1643, 1646
4887V002000000	0281842	SMART	1399	4B3407151A	0301895	AUDI	50, 70, 80
48900-84C50	0501781	SUZUKI	1433	4B3407151A	0301895	SKODA	1388
48900A83301	0501781	SUZUKI	1433	4B3407151A	0301895	VOLKSWAGEN	1644
4895482AA	0589279	CHRYSLER	241	4B3407151C	0301895	AUDI	50, 70, 80
4895482AB	0589279	CHRYSLER	241	4B3407151C	0301895	SKODA	1388
4895483AA	0599279	CHRYSLER	241	4B3407151C	0301895	VOLKSWAGEN	1644
4895483AB	0599279	CHRYSLER	241	4B3407151F	0301895	AUDI	50, 70, 80
49001-AV610	0604630	NISSAN	977	4B3407151F	0301895	SKODA	1388
49001-BA210 *	0604630	NISSAN	977	4B3407151F	0301895	VOLKSWAGEN	1644
4905659	0601691	SAAB	1301	4B3498998 *	0904509-K	AUDI	71
4905865	0901693	SAAB	1301	4B3498998	0904508-K	AUDI	71
4908109	1216003	SAAB	1301	4D0407151B	0302042	AUDI	49, 66, 69, 78
4908802 *	0184166-K	SAAB	1298	4D0407151B	0302042	SKODA	1388

RIF. ORIG. O.E. NUMBER	RIF. OCAP OCAP REF.	MARCA MAKE	PAG.	RIF. ORIG. O.E. NUMBER	RIF. OCAP OCAP REF.	MARCA MAKE	PAG.
4D0407151B	0302042	VOLKSWAGEN	1641, 1644	4D0407509G	0392047	AUDI	50, 53, 67, 79-80
4D0407151E	0302042	AUDI	49, 66, 69, 78	4D0407509G	0392047	SKODA	1389
4D0407151E	0302042	SKODA	1388	4D0407509G	0392047	VOLKSWAGEN	1642, 1645
4D0407151E	0302042	VOLKSWAGEN	1641, 1644	4D0407509H	0392047	AUDI	50, 53, 67, 79-80
4D0407151G	0302042	AUDI	49, 66, 69, 78	4D0407509H	0392047	SKODA	1389
4D0407151G	0302042	SKODA	1388	4D0407509H	0392047	VOLKSWAGEN	1642, 1645
4D0407151G	0302042	VOLKSWAGEN	1641, 1644	4D0407509J	0392047	AUDI	50, 53, 67, 79-80
4D0407151H	0302042	AUDI	49, 66, 69, 78	4D0407509J	0392047	SKODA	1389
4D0407151H	0302042	SKODA	1388	4D0407509J	0392047	VOLKSWAGEN	1642, 1645
4D0407151H	0302042	VOLKSWAGEN	1641, 1644	4D0407509K	0392045	AUDI	50, 78
4D0407151J	0302042	AUDI	49, 66, 69, 78	4D0407509K	0392045	VOLKSWAGEN	1642
4D0407151J	0302042	SKODA	1388	4D0407510B	0382045	AUDI	50, 78
4D0407151J	0302042	VOLKSWAGEN	1641, 1644	4D0407510B	0382045	VOLKSWAGEN	1642
4D0407151P *	0904523-K	VOLKSWAGEN	1646	4D0407510D	0382045	AUDI	50, 78
4D0407151P **	0904524-K	VOLKSWAGEN	1646	4D0407510D	0382045	VOLKSWAGEN	1642
4D0407151P	0302042	AUDI	49, 66, 69, 78	4D0407510F	0382047	AUDI	50, 53, 67, 79-80
4D0407151P	0302042	SKODA	1388	4D0407510F	0382047	SKODA	1389
4D0407151P	0302042	VOLKSWAGEN	1641, 1644	4D0407510F	0382047	VOLKSWAGEN	1642, 1645
4D0407181F	1215152	AUDI	49-50, 66, 69-70, 78, 80	4D0407510G	0382047	AUDI	50, 53, 67, 79-80
4D0407181F	1215152	SKODA	1388	4D0407510G	0382047	SKODA	1389
4D0407181F	1215152	VOLKSWAGEN	1641, 1644	4D0407510G	0382047	VOLKSWAGEN	1642, 1645
4D0407181H	1215152	AUDI	49-50, 66, 69-70, 78, 80	4D0407510H	0382047	AUDI	50, 53, 67, 79-80
4D0407181H	1215152	SKODA	1388	4D0407510J	0382047	AUDI	50, 53, 67, 79-80
4D0407181H	1215152	VOLKSWAGEN	1641, 1644	4D0407510J	0382047	SKODA	1389
4D0407182E	1215153	AUDI	49-50, 52, 55, 66, 69-70, 78, 80	4D0407510J	0382047	VOLKSWAGEN	1642, 1645
4D0407182E	1215153	SEAT	1321	4D0407510K	0382045	AUDI	50, 78
4D0407182E	1215153	SKODA	1388	4D0407510K	0382045	VOLKSWAGEN	1642
4D0407182E	1215153	VOLKSWAGEN	1641, 1644	4D0407516A	1215207	AUDI	79, 81
4D0407182G	1215153	AUDI	49-50, 52, 55, 66, 69-70, 78, 80	4D0407516C	1215207	AUDI	79, 81
4D0407182G	1215153	SEAT	1321	4D0407693AC	0392043	AUDI	50, 53, 67, 70, 78, 80
4D0407182G	1215153	SKODA	1388	4D0407693AC	0392043	SKODA	1389
4D0407182G	1215153	VOLKSWAGEN	1641, 1644	4D0407693AC	0392043	VOLKSWAGEN	1642, 1645
4D0407183AB	1215154	AUDI	50, 53, 67, 70, 78, 80	4D0407693AD	0392043	AUDI	50, 53, 67, 70, 78, 80
4D0407183AB	1215154	SKODA	1389	4D0407693AD	0392043	SKODA	1389
4D0407183AB	1215154	VOLKSWAGEN	1642, 1645	4D0407693AD	0392043	VOLKSWAGEN	1642, 1645
4D0407183M	1215154	AUDI	50, 53, 67, 70, 78, 80	4D0407693E	0392043	AUDI	50, 53, 67, 70, 78, 80
4D0407183M	1215154	SKODA	1389	4D0407693E	0392043	SKODA	1389
4D0407183M	1215154	VOLKSWAGEN	1642, 1645	4D0407693E	0392043	VOLKSWAGEN	1642, 1645
4D0407183P	1215154	AUDI	50, 53, 67, 70, 78, 80	4D0407693G	0392043	AUDI	50, 53, 67, 70, 78, 80
4D0407183P	1215154	SKODA	1389	4D0407693G	0392043	SKODA	1389
4D0407183P	1215154	VOLKSWAGEN	1642, 1645	4D0407693G	0392043	VOLKSWAGEN	1642, 1645
4D0407183Q	1215154	AUDI	50, 53, 67, 70, 78, 80	4D0407693H	0392043	AUDI	50, 53, 67, 70, 78, 80
4D0407183Q	1215154	SKODA	1389	4D0407693H	0392043	SKODA	1389
4D0407183Q	1215154	VOLKSWAGEN	1642, 1645	4D0407693H	0392043	VOLKSWAGEN	1642, 1645
4D0407505B	0302083	AUDI	79, 81	4D0407693K	0392043	AUDI	50, 53, 67, 70, 78, 80
4D0407505D	0302083	AUDI	79, 81	4D0407693K	0392043	SKODA	1389
4D0407505F	0302083	AUDI	79, 81	4D0407693K	0392043	VOLKSWAGEN	1642, 1645
4D0407505H	0302083	AUDI	79, 81	4D0407693M	0392043	AUDI	50, 53, 67, 70, 78, 80
4D0407509B	0392045	AUDI	50, 78	4D0407693M	0392043	SKODA	1389
4D0407509B	0392045	VOLKSWAGEN	1642	4D0407693M	0392043	VOLKSWAGEN	1642, 1645
4D0407509D	0392045	AUDI	50, 78	4D0407693N *	0904523-K	VOLKSWAGEN	1646
4D0407509D	0392045	VOLKSWAGEN	1642	4D0407693N **	0904524-K	VOLKSWAGEN	1646
4D0407509F	0392047	AUDI	50, 53, 67, 79-80	4D0407693N	0392043	AUDI	50, 53, 67, 70,
4D0407509F	0392047	SKODA	1389				
4D0407509F	0392047	VOLKSWAGEN	1642, 1645				

RIF. ORIG. O.E. NUMBER	RIF. OCAP OCAP REF.	MARCA MAKE	PAG.	RIF. ORIG. O.E. NUMBER	RIF. OCAP OCAP REF.	MARCA MAKE	PAG.
			78, 80	4D0419811A	0181889	VOLKSWAGEN	1641, 1644
4D0407693N	0392043	SKODA	1389	4D0419811B	0181889	AUDI	49, 52, 66, 78, 80
4D0407693N	0392043	VOLKSWAGEN	1642, 1645	4D0419811B	0181889	SKODA	1388
4D0407694AC	0382043	AUDI	50, 53, 67, 70, 78, 80	4D0419811B	0181889	VOLKSWAGEN	1641, 1644
4D0407694AC	0382043	SKODA	1389	4D0419831D *	0902424	SKODA	1388
4D0407694AC	0382043	VOLKSWAGEN	1642, 1645	4D0419831D *	0902424	VOLKSWAGEN	1641
4D0407694AD	0382043	AUDI	50, 53, 67, 70, 78, 80	4D0419831D	1211181	AUDI	49, 78
4D0407694AD	0382043	SKODA	1389	4D0419831D	1211181	SKODA	1388
4D0407694AD	0382043	VOLKSWAGEN	1642, 1645	4D0419831D	1211181	VOLKSWAGEN	1641
4D0407694E	0382043	AUDI	50, 53, 67, 70, 78, 80	4D0419831E	1211212	AUDI	66, 69, 80
4D0407694E	0382043	SKODA	1389	4D0419831E	1211212	VOLKSWAGEN	1644
4D0407694E	0382043	VOLKSWAGEN	1642, 1645	4D0422821	0601890	AUDI	49, 52, 55, 66, 69, 78, 80
4D0407694G	0382043	AUDI	50, 53, 67, 70, 78, 80	4D0422821	0601890	SEAT	1321
4D0407694G	0382043	SKODA	1389	4D0422821	0601890	SKODA	1388
4D0407694G	0382043	VOLKSWAGEN	1642, 1645	4D0422821	0601890	VOLKSWAGEN	1641, 1644
4D0407694H	0382043	AUDI	50, 53, 67, 70, 78, 80	4D0422821A	0601890	AUDI	49, 52, 55, 66, 69, 78, 80
4D0407694H	0382043	SKODA	1389	4D0422821A	0601890	SEAT	1321
4D0407694H	0382043	VOLKSWAGEN	1642, 1645	4D0422821A	0601890	SKODA	1388
4D0407694K	0382043	AUDI	50, 53, 67, 70, 78, 80	4D0422821A	0601890	VOLKSWAGEN	1641, 1644
4D0407694K	0382043	SKODA	1389	4D0498998 *	0904190-K	AUDI	51, 68
4D0407694K	0382043	VOLKSWAGEN	1642, 1645	4D0498998 *	0904190-K	VOLKSWAGEN	1643
4D0407694M	0382043	AUDI	50, 53, 67, 70, 78, 80	4D0501529A	0502085	AUDI	79, 81
4D0407694M	0382043	SKODA	1389	4D0501529E	0502085	AUDI	79, 81
4D0407694M	0382043	VOLKSWAGEN	1642, 1645	4D0501529F	0502085	AUDI	79, 81
4D0407694N *	0904523-K	VOLKSWAGEN	1646	4D0505465D	0502084	AUDI	79, 81
4D0407694N **	0904524-K	VOLKSWAGEN	1646	4D0505547C	0592086	AUDI	79, 81, 83
4D0407694N	0382043	AUDI	50, 53, 67, 70, 78, 80	4D0505547C	0592086	VOLKSWAGEN	1655
4D0407694N	0382043	SKODA	1389	4D0505548C	0582086	AUDI	79, 81, 83
4D0407694N	0382043	VOLKSWAGEN	1642, 1645	4D0505548C	0582086	VOLKSWAGEN	1655
4D0411317J	0502046	AUDI	51, 67	4E0407151E	0302307	VOLKSWAGEN	1654
4D0411317J	0502046	VOLKSWAGEN	1642	4E0407151G	0302306	AUDI	82
4D0411317K	0501903	AUDI	79, 81	4E0407151J	0302307	VOLKSWAGEN	1654
4D0411327E	1214125	AUDI	51, 62, 79	4E0407151K	0302307	VOLKSWAGEN	1654
4D0411327E	1214125	VOLKSWAGEN	1643	4E0407151L	0302306	AUDI	82
4D0411327F	1214126	AUDI	51, 64, 68, 71, 79, 81, 92	4E0407155C	0302306	AUDI	82
4D0411327F	1214126	SKODA	1390	4E0407181B	1215744	AUDI	57-58, 61, 72, 74, 76, 82, 84, 91
4D0411327F	1214126	VOLKSWAGEN	1643, 1646	4E0407181B	1215744	PORSCHE	1174
4D0411327G	1214125	AUDI	51, 62, 79	4E0407181D	1215746	VOLKSWAGEN	1654
4D0411327G	1214125	SKODA	1390	4E0407182C	1215745	AUDI	72, 82
4D0411327G	1214125	VOLKSWAGEN	1643	4E0407182C	1215745	VOLKSWAGEN	1654
4D0411327H	1214126	AUDI	51, 64, 68, 71, 79, 81, 92	4E0407183A	1215747	AUDI	82
4D0411327H	1214126	SKODA	1390	4E0407183A	1215747	VOLKSWAGEN	1654
4D0411327H	1214126	VOLKSWAGEN	1643, 1646	4E0407505B	0392298	AUDI	72, 83
4D0411327J	1214129	AUDI	53, 56, 73	4E0407505B	0392298	VOLKSWAGEN	1655
4D0411327J	1214129	SEAT	1321	4E0407505E	0392298	AUDI	72, 83
4D0419801B	0501889	AUDI	49, 52, 66, 78, 80	4E0407505E	0392298	VOLKSWAGEN	1655
4D0419801B	0501889	SKODA	1388	4E0407506B	0382298	AUDI	72, 83
4D0419801B	0501889	VOLKSWAGEN	1641, 1644	4E0407506B	0382298	VOLKSWAGEN	1655
4D0419801E	0501889	AUDI	49, 52, 66, 78, 80	4E0407506E	0382298	AUDI	72, 83
4D0419801E	0501889	SKODA	1388	4E0407506E	0382298	VOLKSWAGEN	1655
4D0419801E	0501889	VOLKSWAGEN	1641, 1644	4E0407509B	0392299	AUDI	73, 83
4D0419811A	0181889	AUDI	49, 52, 66, 78, 80	4E0407509B	0392299	VOLKSWAGEN	1655
4D0419811A	0181889	SKODA	1388	4E0407509E	0392299	AUDI	73, 83
				4E0407509E	0392299	VOLKSWAGEN	1655
				4E0407509G	0392299	AUDI	73, 83
				4E0407509K	0392299	VOLKSWAGEN	1655
				4E0407509K	0392299	AUDI	73, 83
				4E0407510B	0382299	AUDI	73, 83
				4E0407510B	0382299	VOLKSWAGEN	1655

RIF. ORIG. O.E. NUMBER	RIF. OCAP OCAP REF.	MARCA MAKE	PAG.	RIF. ORIG. O.E. NUMBER	RIF. OCAP OCAP REF.	MARCA MAKE	PAG.
4E0407510E	0382299	AUDI	73, 83				78, 80
4E0407510E	0382299	VOLKSWAGEN	1655	4F0419811E	0181889	SKODA	1388
4E0407510G	0382299	AUDI	73, 83	4F0419811E	0181889	VOLKSWAGEN	1641, 1644
4E0407510G	0382299	VOLKSWAGEN	1655	4F0422821	0602326	AUDI	72
4E0407510K	0382299	AUDI	73, 83	4F0422821D	0602326	AUDI	72
4E0407510K	0382299	VOLKSWAGEN	1655	4F0422831	1211436	AUDI	72
4E0407693F	0392308	AUDI	82	4F0505465N	0502299	AUDI	73
4E0407693F	0392308	VOLKSWAGEN	1654	4F0505465P	0503261	AUDI	73
4E0407693N	0392308	AUDI	82	4F0505465Q	0502299	AUDI	73
4E0407693N	0392308	VOLKSWAGEN	1654	4G0407689A	0408083	AUDI	58, 74, 76, 91
4E0407694F	0382308	AUDI	82	4G0407689A	0408083	PORSCHE	1174
4E0407694F	0382308	VOLKSWAGEN	1654	4G0407689C	0408083	AUDI	58, 74, 76, 91
4E0407694N	0382308	AUDI	82	4G0407689C	0408083	PORSCHE	1174
4E0407694N	0382308	VOLKSWAGEN	1654	4G0407693D	0394585	AUDI	58, 92
4E0411317D	0502309	VOLKSWAGEN	1655	4G0407693D	0394585	PORSCHE	1175
4E0411317E	0502300	AUDI	73, 83	4G0407693F	0394585	AUDI	58, 92
4E0419801D	0502301	AUDI	82	4G0407693F	0394585	PORSCHE	1175
4E0419801D	0502301	VOLKSWAGEN	1654	4G0407693H	0394585	AUDI	58, 92
4E0419811B	0182301	AUDI	82	4G0407693H	0394585	PORSCHE	1175
4E0419811B	0182301	VOLKSWAGEN	1654	4G0407693J	0394585	AUDI	58, 92
4E0419811C	0182301	AUDI	82	4G0407693J	0394585	PORSCHE	1175
4E0419811C	0182301	VOLKSWAGEN	1654	4G0407694D	0384585	AUDI	58, 92
4E0419811D	0182301	AUDI	82	4G0407694D	0384585	PORSCHE	1175
4E0419811D	0182301	VOLKSWAGEN	1654	4G0407694F	0384585	AUDI	58, 92
4E0419811E	0182301	AUDI	82	4G0407694F	0384585	PORSCHE	1175
4E0419811E	0182301	VOLKSWAGEN	1654	4G0407694H	0384585	AUDI	58, 92
4E0419821	0602305	AUDI	82	4G0407694H	0384585	PORSCHE	1175
4E0419821	0602305	VOLKSWAGEN	1654	4G0407694J	0384585	AUDI	58, 92
4E0419831	1211432	AUDI	82	4G0407694J	0384585	PORSCHE	1175
4E0419831	1211432	VOLKSWAGEN	1654	4G0411317A	0502654	AUDI	59, 62, 75, 77, 85, 92
4E0501529C	0302328	AUDI	83	4G0411317A	0502654	PORSCHE	1175
4E0501529C	0302328	VOLKSWAGEN	1655	4G0423810A	0608083	AUDI	57, 74, 76, 84, 91
4E0501529D	0302328	AUDI	83	4G0423810A	0608083	PORSCHE	1174
4E0501529D	0302328	VOLKSWAGEN	1655	4G0423811A	0298083	AUDI	57, 74, 76, 91
4E0501529G	0302328	AUDI	83	4G0423811A	0298083	PORSCHE	1174
4E0501529G	0302328	VOLKSWAGEN	1655	4G0423812A	0288083	AUDI	57, 74, 76, 91
4E0505465G	0502330	AUDI	83	4G0423812A	0288083	PORSCHE	1174
4E0505465G	0502330	VOLKSWAGEN	1655	4H0407151A	0395782	AUDI	84
4E0505547A	0592086	AUDI	79, 81, 83	4H0407151B	0395782	AUDI	84
4E0505547A	0592086	VOLKSWAGEN	1655	4H0407152A	0385782	AUDI	84
4E0505547B	0592086	AUDI	79, 81, 83	4H0407152B	0385782	AUDI	84
4E0505547B	0592086	VOLKSWAGEN	1655	4H0407182B	1216276	AUDI	84
4E0505548A	0582086	AUDI	79, 81, 83	4H0407505D	0396496	AUDI	85
4E0505548A	0582086	VOLKSWAGEN	1655	4H0407505E	0396496	AUDI	85
4E0505548B	0582086	AUDI	79, 81, 83	4H0407505F	0396496	AUDI	85
4E0505548B	0582086	VOLKSWAGEN	1655	4H0407506D	0386496	AUDI	85
4F0407151	0304474	AUDI	72	4H0407506E	0386496	AUDI	85
4F0407183A	1215743	AUDI	56, 72	4H0407506F	0386496	AUDI	85
4F0407183B	1215743	AUDI	56, 72	4H0407509E	0396497	AUDI	85
4F0407183C	1215743	AUDI	56, 72	4H0407510E	0386497	AUDI	85
4F0407183E	1215743	AUDI	56, 72	4H0407515	1215971	AUDI	59, 75, 77, 85, 92
4F0407183E	1215743	SEAT	1321	4H0407515	1215971	PORSCHE	1174
4F0407693B	0392327	AUDI	72	4H0407515A	1215971	AUDI	59, 75, 77, 85, 92
4F0407693C	0392327	AUDI	72	4H0407515A	1215971	PORSCHE	1174
4F0407693G	0392327	AUDI	72	4H0407515B	1215971	AUDI	59, 75, 77, 85, 92
4F0407693H	0392327	AUDI	72	4H0407515B	1215971	PORSCHE	1174
4F0407694B	0382327	AUDI	72	4H0407689	0405782	AUDI	84
4F0407694C	0382327	AUDI	72	4H0407689A	0405782	AUDI	84
4F0407694G	0382327	AUDI	72	4H0407693C	0396495	AUDI	84
4F0407694H	0382327	AUDI	72	4H0407693D	0396495	AUDI	84
4F0419811C	0181894	AUDI	52, 55, 69, 72				
4F0419811C	0181894	SEAT	1321				
4F0419811D	0181894	AUDI	52, 55, 69, 72				
4F0419811D	0181894	SEAT	1321				
4F0419811E	0181889	AUDI	49, 52, 66, 69,				

RIF. ORIG. O.E. NUMBER	RIF. OCAP OCAP REF.	MARCA MAKE	PAG.	RIF. ORIG. O.E. NUMBER	RIF. OCAP OCAP REF.	MARCA MAKE	PAG.
4H0407693E	0396495	AUDI	84	5021446	0181719	FORD	490
4H0407693G	0396495	AUDI	84	5021447	0191719	FORD	490
4H0407694C	0386495	AUDI	84	5021449	0290080	FORD	489-490
4H0407694D	0386495	AUDI	84	5021458	0380644	FORD	429
4H0407694E	0386495	AUDI	84	5021459	0390644	FORD	429
4H0407694G	0386495	AUDI	84	5021460	0380657	FORD	481
4H0411317A	0502654	AUDI	59, 62, 75, 77, 85, 92	5021461	0390657	FORD	481
4H0411317A	0502654	PORSCHE	1175	5021462	0380250	FORD	431, 478, 481
4H0411317C	0502654	AUDI	59, 62, 75, 77, 85, 92	5021463	0390250	FORD	431, 478, 481
4H0411317C	0502654	PORSCHE	1175	5021464	0384502	FORD	478
4H0422810A	0602681	AUDI	84, 91	5021465	0394502	FORD	478
4H0422817A	0296495	AUDI	84	502165	0405011	FERRARI	338
4H0422818A	0286495	AUDI	84	5021661 *	0900653	FORD	429
4M0411317	0502654	AUDI	59, 62, 75, 77, 85, 92	5021661	1215043	FORD	429
4M0411317	0502654	PORSCHE	1175	5021729	1215017	FORD	431, 478, 481
5000246729	0401398	RENAULT	1259	5024332	0281712	FORD	430
5000246730	0401399	RENAULT	1259	5024333	0291712	FORD	430
5000246731	0400951	RENAULT	1259	5025558	0290080	FORD	489-490
5000246732	0400952	RENAULT	1259	5025676	0401727	FORD	493
5000367654	0402241	RENAULT	1208	5027451	0290381	FORD	464
5000387023	0402242	RENAULT	1208	5027452	0280381	FORD	464
5000387653	0402242	RENAULT	1208	5030221	0280044	FORD	466, 479
500053864	0289476	IVECO	588	5030222	0290044	FORD	466, 479
50006261	0280389	FIAT	364, 395	503508	0595006	FERRARI	338
50006261	0280389	INNOCENTI	576	503509	0585006	FERRARI	338
50006262	0280389	FIAT	364, 395	503737 *	0900487	PEUGEOT	1099
50006262	0280389	INNOCENTI	576	504039506 *	0903144	IVECO	590
500310933	0280517	ALFA ROMEO	22	504039506	1215953	IVECO	589
500310933	0280517	FIAT	384	504212584	0407893	IVECO	590
500310933	0280517	IVECO	587, 590	504212586	0407893	IVECO	590
500317413 *	0903144	IVECO	590	5044971	0184041	TALBOT	1444
500334713	0787249	IVECO	589	5044972	0194041	TALBOT	1444
500334714	0797249	IVECO	589	505050	0595007	FERRARI	338
500334716 *	0407250	IVECO	589	505051	0585007	FERRARI	338
500334716	0787250	IVECO	589	50509339 *	0903080	ALFA ROMEO	10
500334717 *	0407250	IVECO	589	50509339	0383080	ALFA ROMEO	9
500334717	0797250	IVECO	589	50509340 *	0903080	ALFA ROMEO	10
500336357	1215953	IVECO	589	50509340	0393080	ALFA ROMEO	9
500336358	1215953	IVECO	589	50511650 *	0402357	ALFA ROMEO	28
500337201	0286616	IVECO	587	50511650 *	0402357	FIAT	368, 383
500339201 *	0903144	IVECO	590	50511650 *	0402357	OPEL	1008, 1033
500344887	0797249	IVECO	589	50511650	0782357	ALFA ROMEO	28
500344888	0787249	IVECO	589	50511650	0782357	CITROEN	295
500379801 *	0407249	IVECO	589	50511650	0782357	FIAT	365, 368, 383
500379801	0797249	IVECO	589	50511650	0782357	PEUGEOT	1071
500379802 *	0407249	IVECO	589	50515274	0592146	ALFA ROMEO	25
500379802	0787249	IVECO	589	50515275	0582146	ALFA ROMEO	25
500383975	0587871	IVECO	590	50515276	0505338	ALFA ROMEO	25, 28
500383976	0597871	IVECO	590	50515276	0505338	FIAT	383, 416
50153 *	0180043-K	OPEL	1016	50520351	0905338	ALFA ROMEO	25
5021410	0280055	FORD	426-428, 432- 433	50520352	0295338	ALFA ROMEO	25
5021413	0280656	FORD	430, 477, 480	50520353	0285338	ALFA ROMEO	25
5021414	0290656	FORD	430, 477, 480	50521045 *	0405338	ALFA ROMEO	25
5021415	0284500	FORD	477	50521045	0785338	ALFA ROMEO	25
5021425	0400102	FORD	432	50521046 *	0405338	ALFA ROMEO	25
5021426	0400954	FORD	432	50521046	0795338	ALFA ROMEO	25
5021430	0400082	FORD	489, 491-492	50521486	0782357	ALFA ROMEO	28
5021442	0280080	FORD	489-490, 492	50521486	0782357	CITROEN	295
5021443	0181718	FORD	490	50521486	0782357	FIAT	365, 368, 383
5021444	0191718	FORD	490	50521486	0782357	PEUGEOT	1071
5021445	0290080	FORD	489-490	50533327 *	1216407	ALFA ROMEO	23
				50533327	0388890	ALFA ROMEO	23
				50533329	0398890	ALFA ROMEO	23
				50535567	0388898	ALFA ROMEO	29
				50535568	0398898	ALFA ROMEO	29

RIF. ORIG. O.E. NUMBER	RIF. OCAP OCAP REF.	MARCA MAKE	PAG.	RIF. ORIG. O.E. NUMBER	RIF. OCAP OCAP REF.	MARCA MAKE	PAG.
50539880 *	1216411	ALFA ROMEO	29	50703296	0503838	FIAT	378
50539880	0388897	ALFA ROMEO	29	50704306	0392149	ALFA ROMEO	13
50539881	0398897	ALFA ROMEO	29	50704307	0382149	ALFA ROMEO	13
50540592	0308895	ALFA ROMEO	24, 30	50704361	0592145	ALFA ROMEO	13
50540594 *	1216433	ALFA ROMEO	30	50704362	0582145	ALFA ROMEO	13
50540594	0308893	ALFA ROMEO	24, 30	50704671	0502740	FIAT	378-379
50541776 *	1216409	ALFA ROMEO	23, 29	50704947	0392143	ALFA ROMEO	12
50541776	0388892	ALFA ROMEO	23	50704948	0382143	ALFA ROMEO	12
50541778 *	1216410	ALFA ROMEO	23, 29	50705032	0702146	ALFA ROMEO	13
50541778	0398892	ALFA ROMEO	23	50705083	0392275	FIAT	392
50541783	0388891	ALFA ROMEO	23	50705084	0382275	FIAT	392
50541785	0398891	ALFA ROMEO	23	50705198	1215823	CITROEN	290-291
50541788	0308894	ALFA ROMEO	24, 30	50705198	1215823	FIAT	361-362
50542853	0388898	ALFA ROMEO	29	50705198	1215823	PEUGEOT	1074-1075
50543275 *	1216434	ALFA ROMEO	30	50705464 *	0402268	FIAT	343
50543275	0308894	ALFA ROMEO	24, 30	50705464 *	0402268	LANCIA	660
50543482	0508890	ALFA ROMEO	24, 30	50705464	0792268	FIAT	343, 393
50543807	0508893	ALFA ROMEO	24, 30	50705464	0792268	LANCIA	660
50544042 *	0608889	ALFA ROMEO	23, 29	50705465 *	0402268	FIAT	343
50545110	0388892	ALFA ROMEO	23	50705465 *	0402268	LANCIA	660
50545125	0398892	ALFA ROMEO	23	50705465	0782268	FIAT	343, 393
50547026 *	1216408	ALFA ROMEO	23, 29	50705465	0782268	LANCIA	660
50547026	0388891	ALFA ROMEO	23	50705629	0402638	CITROEN	290-291
50547027	0398891	ALFA ROMEO	23	50705629	0402638	FIAT	361-362
50547028	0388898	ALFA ROMEO	29	50705629	0402638	PEUGEOT	1074-1075
50547029	0398898	ALFA ROMEO	29	50705702	0592147	ALFA ROMEO	13
50548354	0508893	ALFA ROMEO	24, 30	50706004	0592147	ALFA ROMEO	13
50552328	0388899	ALFA ROMEO	29	50706312	1215562	FIAT	343, 393, 416
50552330	0398899	ALFA ROMEO	29	50706312	1215562	LANCIA	660
50552623	0388892	ALFA ROMEO	23	50706474	0582147	ALFA ROMEO	13
50552625	0398892	ALFA ROMEO	23	50706475	0582147	ALFA ROMEO	13
50553575 *	0608889	ALFA ROMEO	23, 29	50706505	1215562	FIAT	343, 393, 416
50557132 *	0608889	ALFA ROMEO	23, 29	50706505	1215562	LANCIA	660
505799	0595008	FERRARI	338	50706954	1215785	ALFA ROMEO	13
505800	0585008	FERRARI	338	50706955	1215784	ALFA ROMEO	13
5063391	1216003	SAAB	1301	50706990	0592145	ALFA ROMEO	13
5066373AB	0282720	CHRYSLER	238	50706991	0582145	ALFA ROMEO	13
5066373AB	0282720	FIAT	366	50707029	0392149	ALFA ROMEO	13
5066373AB	0282720	JEEP	606	50707030	0382149	ALFA ROMEO	13
506637AA	0282720	CHRYSLER	238	50707316	0392149	ALFA ROMEO	13
506637AA	0282720	FIAT	366	50707317	0382149	ALFA ROMEO	13
506637AA	0282720	JEEP	606	50707480	0382143	ALFA ROMEO	12
5069161AB	0402644	JEEP	604	50709579	0392685	FIAT	415
50700464	0502686	FIAT	343, 379, 393, 415	50709580	0382685	FIAT	415
50700464	0502686	FORD	459	50710620	0382685	FIAT	415
50700464	0502686	LANCIA	660, 673	50710621	0392685	FIAT	415
50700778	1215561	FIAT	343, 392-393	5072444AAA	0282561	JEEP	604
50700778	1215561	LANCIA	660	50724445AAA	0292561	JEEP	604
50700779	0381859	FIAT	392	5072444AA	0282561	JEEP	604
50700796	1215562	FIAT	343, 393, 416	5072445AA	0292561	JEEP	604
50700796	1215562	LANCIA	660	5081F1	0503818	CITROEN	276
50700797	0391859	FIAT	392	5081F1	0503818	PEUGEOT	1151
50700941	0502686	FIAT	343, 379, 393, 415	5081N9	0182638	CITROEN	291
50700941	0502686	FORD	459	5081N9	0182638	FIAT	362
50700941	0502686	LANCIA	660, 673	5081N9	0182638	PEUGEOT	1075
50702649	1215562	FIAT	343, 393, 416	5085914AD	0405756	FIAT	366
50702649	1215562	LANCIA	660	5087.76	0505741	PEUGEOT	1141
50703128	0393837	FIAT	377	5087-23	0500152	CITROEN	302
50703129	0383837	FIAT	377	508723	0500152	CITROEN	302
50703231	0383833	FIAT	367	5087-23	0500152	PEUGEOT	1096, 1126
50703231	0383833	LANCIA	665, 672	508727	0502155	PEUGEOT	1129, 1131
50703232	0393833	FIAT	367	508731	0501555	CITROEN	306
50703232	0393833	LANCIA	665, 672	508731	0501555	PEUGEOT	1145, 1147
50703232	0393833	LANCIA	665, 672	5087-32	0500152	CITROEN	302
				508732	0500152	PEUGEOT	1096, 1126

RIF. ORIG. O.E. NUMBER	RIF. OCAP OCAP REF.	MARCA MAKE	PAG.	RIF. ORIG. O.E. NUMBER	RIF. OCAP OCAP REF.	MARCA MAKE	PAG.
508733	0500318	PEUGEOT	1091				1105
508734 *	0505737	CITROEN	248, 250-251, 308, 310-311, 315	508755	0582433	CITROEN	260-261, 286
				508755	0582433	PEUGEOT	1100, 1103, 1105
508734 *	0505737	PEUGEOT	1082, 1084, 1115	508756	0502735	CITROEN	293
				508756	0502735	PEUGEOT	1076
508734	0501548	CITROEN	248, 250-251, 308, 310-311, 315	508757	0502663	CITROEN	253, 268
				508757	0502663	PEUGEOT	1085
508734	0501548	PEUGEOT	1082, 1084, 1115	508758	0508077	CITROEN	266, 285
				508758	0508077	MITSUBISHI	867, 889, 902, 904
508735 *	0181322-K	CITROEN	292	508758	0508077	PEUGEOT	1153, 1155
508735 *	0181322-K	FIAT	387-388, 398	508759	0500488	CITROEN	257-258, 260, 267
508735 *	0181322-K	LANCIA	674				
508735 *	0181322-K	PEUGEOT	1150	508759	0500488	PEUGEOT	1086, 1099, 1103-1104
508735	0181322	CITROEN	292				
508735	0181322	PEUGEOT	1150	508761 *	0505737	CITROEN	248, 250-251, 308, 310-311, 315
508737 *	0181602-K	CITROEN	289				
508737 *	0181602-K	FIAT	360	508761 *	0505737	PEUGEOT	1082, 1084, 1115
508737 *	0181602-K	PEUGEOT	1073				
508737	0181602	CITROEN	289	508761	0501548	CITROEN	248, 250-251, 308, 310-311, 315
508737	0181602	FIAT	360				
508737	0181602	PEUGEOT	1073	508761	0501548	PEUGEOT	1082, 1084, 1115
508739 *	0505737	CITROEN	248, 250-251, 308, 310-311, 315				
				508762	0501855	CITROEN	262
508739 *	0505737	PEUGEOT	1082, 1084, 1115	508762	0501855	PEUGEOT	1120
				508764	0503211	CITROEN	264, 270
508739	0501548	CITROEN	248, 250-251, 308, 310-311, 315	508764	0503211	OPEL	1036
				508764	0503211	PEUGEOT	1121, 1124, 1152
508739	0501548	PEUGEOT	1082, 1084, 1115	508765	0501860	CITROEN	295
				508765	0501860	FIAT	365, 368
508740	0501553	CITROEN	298, 304	508765	0501860	PEUGEOT	1071
508740	0501553	PEUGEOT	1091, 1133	508766	0500488	CITROEN	257-258, 260, 267
508741	0501555	CITROEN	306				
508741	0501555	PEUGEOT	1145, 1147	508766	0500488	PEUGEOT	1086, 1099, 1103-1104
508742	0501177	PEUGEOT	1118				
508743 *	0501857	CITROEN	271	508768	0582433	CITROEN	260-261, 286
508743	0501857	CITROEN	304	508768	0582433	PEUGEOT	1100, 1103, 1105
508743	0501857	PEUGEOT	1133, 1148				
508745	0500488	CITROEN	257-258, 260, 267	508769	0592433	CITROEN	260-261, 286
				508769	0592433	PEUGEOT	1100, 1103, 1105
508745	0500488	PEUGEOT	1086, 1099, 1103-1104	508770	0501860	CITROEN	295
				508770	0501860	FIAT	365, 368
508746 *	0505737	CITROEN	248, 250-251, 308, 310-311, 315	508770	0501860	PEUGEOT	1071
				508771	0500488	CITROEN	257-258, 260, 267
508746 *	0505737	PEUGEOT	1082, 1084, 1115				
				508771	0500488	PEUGEOT	1086, 1099, 1103-1104
508746	0501548	CITROEN	248, 250-251, 308, 310-311, 315	508774	0500488	CITROEN	257-258, 260, 267
				508774	0500488	PEUGEOT	1086, 1099, 1103-1104
508746	0501548	PEUGEOT	1082, 1084, 1115				
				508776	0505741	PEUGEOT	1141
508748	0501857	CITROEN	271, 304	508777	0501855	CITROEN	262
508748	0501857	PEUGEOT	1133, 1148	508777	0501855	PEUGEOT	1120
508750	0501855	CITROEN	262	508779	0501860	CITROEN	295
508750	0501855	PEUGEOT	1120	508779	0501860	FIAT	365, 368
508751	0503818	CITROEN	276	508779	0501860	PEUGEOT	1071
508751	0503818	PEUGEOT	1151				
508752	0594389	CITROEN	273, 275	509110	0902131	CITROEN	255-256
508752	0594389	PEUGEOT	1136, 1143				
508753	0584389	CITROEN	273, 275	509110	0902131	PEUGEOT	1092-1093
508753	0584389	PEUGEOT	1136, 1143				
508754	0592433	CITROEN	260-261, 286	509112 *	0902434	PEUGEOT	1100
508754	0592433	PEUGEOT	1100, 1103,	509112 *	0902435	PEUGEOT	1100

RIF. ORIG. O.E. NUMBER	RIF. OCAP OCAP REF.	MARCA MAKE	PAG.	RIF. ORIG. O.E. NUMBER	RIF. OCAP OCAP REF.	MARCA MAKE	PAG.
509112 *	0902436	PEUGEOT	1100	510986	0180522	ALFA ROMEO	18
509113 *	0902434	PEUGEOT	1100	5114037AA	0402644	JEEP	604
509113 *	0902435	PEUGEOT	1100	5114037AB	0402644	JEEP	604
509113 *	0902436	PEUGEOT	1100	5114037AJ	0402644	JEEP	604
509434	0900243	PEUGEOT	1129, 1131	51220-S04-003	0401679	HONDA	503, 512-514, 520, 532-534
509435	0900486	PEUGEOT	1109, 1111, 1113, 1129, 1131	51220-S04-003	0401679	ROVER GROUP	1291
509436	1215368	CITROEN	243, 302	51220-S2H-013	0404370	HONDA	526
509437	1215366	CITROEN	243	51220-S5A-003	0404291	HONDA	516
509440	1215367	CITROEN	243, 278, 301	51220-S5A-J10	0404291	HONDA	516
509453	0900242	PEUGEOT	1129, 1131	51220-S5A-J30	0404291	HONDA	516
509456	1215405	PEUGEOT	1091	51220-S9A-982	0402765	HONDA	521
509457 *	0901094	PEUGEOT	1091	51220-SAA-013	0404370	HONDA	526
509457	1215406	CITROEN	298	51220-SAA-E01	0404370	HONDA	526
509457	1215406	PEUGEOT	1091	51220-SD4-004	0402538	HONDA	528-529
509458 *	0901095	PEUGEOT	1091	51220-SD4-004	0402538	ROVER GROUP	1294
509458	1215407	PEUGEOT	1091	51220-SD4-013	0402538	HONDA	528-529
509459	1214113	CITROEN	243, 298	51220-SD4-013	0402538	ROVER GROUP	1294
509459	1214113	PEUGEOT	1091	51220-SD4-023	0402538	HONDA	528-529
509463	1214249	PEUGEOT	1115	51220-SD4-023	0402538	ROVER GROUP	1294
509465	1215395	CITROEN	315	51220-SEL-T01	0404370	HONDA	526
509466	1215394	CITROEN	315	51220-SK7-013	0401679	HONDA	503, 512-514, 520, 532-534
509474	1214118	PEUGEOT	1133	51220-SK7-013	0401679	ROVER GROUP	1291
509475	1214119	PEUGEOT	1133	51220-SL5-003	0404549	HONDA	535
509477	1214172	CITROEN	248, 308	51220-SM0-A01	0401679	HONDA	503, 512-514, 520, 532-534
509477	1214172	PEUGEOT	1082	51220-SM0-A01	0401679	ROVER GROUP	1291
509480	1214071	PEUGEOT	1099	51220-SM1-A01	0403350	HONDA	504-506
509481	1215334	PEUGEOT	1099	51220-SM1-A01	0403350	ROVER GROUP	1292
509482	1214072	PEUGEOT	1099	51220-SM4-003	0403350	HONDA	504-506
509487	1214251	PEUGEOT	1120-1121	51220-SM4-003	0403350	ROVER GROUP	1292
509488	1214173	CITROEN	262	51220-SM4-003	0403350	HONDA	504-506
509488	1214173	PEUGEOT	1120-1121	51220-SM4-013	0403350	ROVER GROUP	1292
509495	1214073	PEUGEOT	1099	51220-SM4-013	0403350	ROVER GROUP	1292
509496	1214177	CITROEN	257	51220-SNA-A02	0483287	HONDA	518
509497	1214174	CITROEN	257	51220-SNA-A03	0483287	HONDA	518
509499	1214176	CITROEN	273, 275	51220-SR3-003	0401679	HONDA	503, 512-514, 520, 532-534
509499	1214176	PEUGEOT	1136	51220-SR3-003	0401679	ROVER GROUP	1291
5094A0	1214180	CITROEN	273	51220-STK-A01	0408063	HONDA	522-523
5094A0	1214180	PEUGEOT	1136, 1143, 1143	51220-TA0-A01	0403282	HONDA	509
5094A1	1214175	CITROEN	273	51220-TA0-A02	0403282	HONDA	509
5094A1	1214175	PEUGEOT	1136	51220TA0A02	0403282	HONDA	509
5094A7	0902131	CITROEN	255-256	51230-SNA-A02	0493287	HONDA	518
5094A7	0902131	PEUGEOT	1092-1093	51230-SNA-A03	0493287	HONDA	518
5094A7	0902131	TOYOTA	1463	51270-S01-013	0404242	HONDA	506
5094A8	1214179	CITROEN	255	51270-S01-023	0404242	HONDA	506
5094A8	1214179	PEUGEOT	1092	51270-S04-013	0404242	HONDA	506
5094C1 *	0902434	PEUGEOT	1100	51270-S04-023	0404242	HONDA	506
5094C2 *	0902435	PEUGEOT	1100	51270-S0A-003	0404242	HONDA	506
5094C3 *	0902436	PEUGEOT	1100	51270-S84-A01	0404242	HONDA	506
5094E0	1214173	CITROEN	262	51270-SB0-003	0403354	HONDA	532
5094E0	1214173	PEUGEOT	1120-1121	51270-SB0-013	0403354	HONDA	532
5094E5	1214178	CITROEN	295	51270-SF1-003	0400284	HONDA	533-534
5094E5	1214178	PEUGEOT	1071	51270-SR3-013	0404242	HONDA	506
509727 *	0901094	PEUGEOT	1091	51270-SR3-023	0404242	HONDA	506
509727 *	0901098	CITROEN	301	51306-SAA-E01	0794370	HONDA	526
509735 *	0901095	PEUGEOT	1091	5131.93	1216390	PEUGEOT	1099
509743	1249255	PEUGEOT	1099	5131.94	1216391	PEUGEOT	1099
5099440 *	0901098	CITROEN	301	5131.A9	1216390	PEUGEOT	1099
5100555	0400106	LAMBORGHINI	651	5131.F8	1216390	PEUGEOT	1099
5102V005000000	0501843	SMART	1399	5131.H4	1216238	CITROEN	258, 260-261, 286
510595 *	0400524	ALFA ROMEO	19	5131.H4	1216238	PEUGEOT	1103, 1105
510615	0180522	ALFA ROMEO	18	513132 *	0400524	ALFA ROMEO	19
510985 *	0400524	ALFA ROMEO	19				

RIF. ORIG. O.E. NUMBER	RIF. OCAP OCAP REF.	MARCA MAKE	PAG.	RIF. ORIG. O.E. NUMBER	RIF. OCAP OCAP REF.	MARCA MAKE	PAG.
513133 *	0400524	ALFA ROMEO	19	51350-659-325	0703330	HONDA	510
513193	1216390	PEUGEOT	1099	51350-671-003	0783336	HONDA	502
513194	1216391	PEUGEOT	1099	51350-671-033	0783336	HONDA	502
5131A4	1216393	CITROEN	263	51350-673-000	0703330	HONDA	510
5131A4	1216393	PEUGEOT	1120	51350-692-000	0703355	HONDA	532, 536
5131A9	1216390	PEUGEOT	1099	51350-692-010	0703355	HONDA	532, 536
5131C3	1216027	CITROEN	273, 275	51350-692-050	0703355	HONDA	532, 536
5131C3	1216027	PEUGEOT	1136, 1143, 1141,	51350-S04-G00	0784234	HONDA	514
5131C4	1216028	CITROEN	273, 275	51350-S10-A00	0784317	HONDA	520
5131C4	1216028	PEUGEOT	1136, 1143, 1141,	51350-S10-G00	0784317	HONDA	520
5131E9	1216392	PEUGEOT	1101	51350-S2A-000	0382767	HONDA	538
5131F0	1216392	PEUGEOT	1101	51350-S2H-G02	0782789	HONDA	524
5131F8	1216390	PEUGEOT	1099	51350-S50-G01 *	0402788	HONDA	531
5131F9	1216392	PEUGEOT	1101	51350-S50-G01	0782788	HONDA	531
5131G4	1216394	CITROEN	264	51350-S5A-A02	0784291	HONDA	516
5131G4	1216394	PEUGEOT	1122	51350-S5A-A03	0784291	HONDA	516
5131G5	1216396	PEUGEOT	1122	51350-S5A-A10	0784291	HONDA	516
5131H4	1216238	CITROEN	258, 260-261, 286	51350-S5A-E50	0784291	HONDA	516
5131H4	1216238	PEUGEOT	1103, 1105	51350-S6A-000	0784291	HONDA	516
5131H7	1216396	PEUGEOT	1122	51350-S7A-010	0782807	HONDA	537
51320-S04-003	0501940	HONDA	514, 520	51350-S7C-010	0782807	HONDA	537
51320-S10-003	0584268	HONDA	520	51350-S9A-010	0782476	HONDA	521
51320-S2A-003	0582642	HONDA	538	51350-SA0-000	0703332	HONDA	510
51320-S2G-003	0584546	HONDA	531	51350-SA0-010	0703332	HONDA	510
51320-S2H-003	0581943	HONDA	524	51350-SA0-030	0703332	HONDA	510
51320-S30-003	0501939	HONDA	535	51350-SA5-003	0783337	HONDA	502
51320-S5A-003	0584296	HONDA	516, 521, 537	51350-SA5-010	0783338	HONDA	502
51320-S84-A01	0581936	HONDA	506	51350-SA5-013	0783337	HONDA	502
51320-SAA-003	0584371	HONDA	526	51350-SA5-020	0783338	HONDA	502
51320-SAA-J01	0584370	HONDA	526	51350-SAA-E01	0784370	HONDA	526
51320-SEA-E01	0584367	HONDA	507	51350-SEA-E01 *	0404366	HONDA	507
51320-SK3-000	0503070	HONDA	519	51350-SEA-E01	0384366	HONDA	507
51320-SK3-000	0503070	ROVER GROUP	1282-1283, 1289	51350-SMG-E01	0383289	HONDA	517
51320-SMG-E01	0503290	HONDA	518	51350-SMG-E02	0383289	HONDA	517
51320SMGE01	0503290	HONDA	518	51350-SMG-E03	0383289	HONDA	517
51320-SP0-003	0504538	HONDA	529	51350-SMG-E04	0383289	HONDA	517
51320-ST7-003	0509228	HONDA	514	51350-SMG-E05	0383289	HONDA	517
51320-STK-A01	0508063	HONDA	522-523	51350-SMG-E06	0383289	HONDA	517
51320-TA0-A01	0583283	HONDA	509	51350-SMG-E07	0383289	HONDA	517
51320TA0A01	0583283	HONDA	509	51350-SNA-A03	0783287	HONDA	518
51320-TF0-003	0503296	HONDA	527	51350-SR3-020	0381808	HONDA	513
51320TF0003	0503296	HONDA	527	51350-SR3-020	0381808	ROVER GROUP	1291
51321-S10-003	0594268	HONDA	520	51350-SR3-A01	0381808	HONDA	513
51321-S2A-003	0592642	HONDA	538	51350-SR3-A01	0381808	ROVER GROUP	1291
51321-S2G-003	0594546	HONDA	531	51350-SR3-A02	0381808	HONDA	513
51321-S2H-003	0591943	HONDA	524	51350-SR3-A02	0381808	ROVER GROUP	1291
51321-S5A-003	0594296	HONDA	516, 521, 537	51350-ST7-010	0381808	HONDA	513
51321-S84-A01	0591936	HONDA	506	51350-ST7-010	0381808	ROVER GROUP	1291
51321-SAA-003	0594371	HONDA	526	51350-SWA-E00	0788063	HONDA	522
51321-SAA-J01	0594370	HONDA	526	51350-SWA-E01 *	1216260	HONDA	522
51321-SEA-E01	0594367	HONDA	507	51350-SWA-E01	0788063	HONDA	522
51325-TA0-A01	0593283	HONDA	509	51350-T1G-E01 *	1216263	HONDA	523
51325TA0A01	0593283	HONDA	509	51350-T1G-E01	0785774	HONDA	523
513267 *	0905343	CITROEN	271	51350-TA0-A00	0383282	HONDA	509
513268 *	0905343	CITROEN	271	51350TA0A00	0383282	HONDA	509
5132A8 *	0900487	PEUGEOT	1099	51350-TF0-030 *	0403295	HONDA	527
513326 *	0905343	CITROEN	271	51350-TF0-030	0783295	HONDA	527
513427 *	0905343	CITROEN	271	51350-TG0-T02	0783295	HONDA	527
51350-634-000	0783329	HONDA	510	51350-TG5-C01	0783295	HONDA	527
51350-634-003	0783336	HONDA	502	51350-TH9-000	0783295	HONDA	527
51350-659-010	0703330	HONDA	510	51351-SB2-013	0783333	HONDA	511, 525, 536
				51351-SB2-013	0783333	ROVER GROUP	1287
				51351-SB2-672	0783333	HONDA	511, 525, 536
				51351-SB2-672	0783333	ROVER GROUP	1287
				51351-SB6-931	0783333	HONDA	511, 525, 536

RIF. ORIG. O.E. NUMBER	RIF. OCAP OCAP REF.	MARCA MAKE	PAG.	RIF. ORIG. O.E. NUMBER	RIF. OCAP OCAP REF.	MARCA MAKE	PAG.
51351-SB6-931	0783333	ROVER GROUP	1287	51360-TH9-000	0793295	HONDA	527
51351-SD2-003	0783333	HONDA	511, 525, 536	51361-SB2-013	0793333	HONDA	511, 525, 536
51351-SD2-003	0783333	ROVER GROUP	1287	51361-SB2-013	0793333	ROVER GROUP	1287
51355-SE0-010	0783340	HONDA	503	51361-SB2-672	0793333	HONDA	511, 525, 536
51355-SH3-010	0783335	HONDA	512	51361-SB2-672	0793333	ROVER GROUP	1287
51355-SH3-020	0783335	HONDA	512	51361-SB6-931	0793333	HONDA	511, 525, 536
51355-SK3-000	0382535	HONDA	519	51361-SB6-931	0793333	ROVER GROUP	1287
51355-SM4-030	0384228	HONDA	504	51361-SD2-003	0793333	HONDA	511, 525, 536
51355-SM4-030	0384228	ROVER GROUP	1292	51361-SD2-003	0793333	ROVER GROUP	1287
51355-SM4-040	0384228	HONDA	504	51365-SE0-010	0793340	HONDA	503
51355-SM4-040	0384228	ROVER GROUP	1292	51365-SH3-010	0793335	HONDA	512
51355-SV4-000	0384241	HONDA	505	51365-SH3-020	0793335	HONDA	512
51355-SV7-A00	0384241	HONDA	505	51365-SK3-000	0392535	HONDA	519
51360-634-000	0793329	HONDA	510	51365-SM4-030	0394228	HONDA	504
51360-634-003	0793336	HONDA	502	51365-SM4-030	0394228	ROVER GROUP	1292
51360-671-003	0793336	HONDA	502	51365-SM4-040	0394228	HONDA	504
51360-671-033	0793336	HONDA	502	51365-SM4-040	0394228	ROVER GROUP	1292
51360-S04-G00	0794234	HONDA	514	51365-SV4-000	0394241	HONDA	505
51360-S10-A00	0794317	HONDA	520	51365-SV7-A00	0394241	HONDA	505
51360-S10-G00	0794317	HONDA	520	51395-SWA-E01	1216261	HONDA	522
51360-S2A-000	0392767	HONDA	538	51395-SWA-E02	1216261	HONDA	522
51360-S2H-G02	0792789	HONDA	524	51395-T0A-E01	1216264	HONDA	523
51360-S50-G01 *	0402788	HONDA	531	51396-SWA-E01	1216262	HONDA	522
51360-S50-G01	0792788	HONDA	531	51396-SWA-E02	1216262	HONDA	522
51360-S5A-020	0794291	HONDA	516	51396-T0A-E01	1216265	HONDA	523
51360-S5A-A02	0794291	HONDA	516	51450-S01-023	0784233	HONDA	514
51360-S5A-A03	0794291	HONDA	516	51450-S01-A02	0784233	HONDA	514
51360-S5A-A10	0794291	HONDA	516	51450-S04-003	0784233	HONDA	514
51360-S5A-E50	0794291	HONDA	516	51450-S04-013	0784233	HONDA	514
51360-S7A-010	0792807	HONDA	537	51450-S04-023	0784233	HONDA	514
51360-S7C-010	0792807	HONDA	537	51450-S10-020	0784316	HONDA	520
51360-S9A-010	0792476	HONDA	521	51450-S1A-E01	0784242	HONDA	506
51360-SA5-010	0793338	HONDA	502	51450-S30-003	0782766	HONDA	535
51360-SA5-013	0793337	HONDA	502	51450-S84-A01	0784242	HONDA	506
51360-SA5-020	0793338	HONDA	502	51450-SDA-A01 *	0404365	HONDA	507, 509
51360-SAA-E01	0794370	HONDA	526	51450-SDA-A01	0784365	HONDA	507
51360-SEA-E01 *	0404366	HONDA	507	51450-SH3-000	0783334	HONDA	512
51360-SEA-E01	0394366	HONDA	507	51450-SH3-020	0783334	HONDA	512
51360-SMG-E01	0393289	HONDA	517	51450-SH3-023	0783334	HONDA	512
51360-SMG-E02	0393289	HONDA	517	51450-SH3-030	0783334	HONDA	512
51360-SMG-E03	0393289	HONDA	517	51450-SM4-013	0783342	HONDA	504
51360-SMG-E04	0393289	HONDA	517	51450-SM4-013	0783342	ROVER GROUP	1292
51360-SMG-E05	0393289	HONDA	517	51450-SM4-023	0783342	HONDA	504
51360-SMG-E06	0393289	HONDA	517	51450-SM4-023	0783342	ROVER GROUP	1292
51360-SMG-E07	0393289	HONDA	517	51450-SM4-A02	0783342	HONDA	504
51360-SNA-A03	0793287	HONDA	518	51450-SM4-A02	0783342	ROVER GROUP	1292
51360-SR3-020	0391808	HONDA	513	51450-SM4-A03	0783342	HONDA	504
51360-SR3-020	0391808	ROVER GROUP	1291	51450-SM4-A03	0783342	ROVER GROUP	1292
51360-SR3-A01	0391808	HONDA	513	51450-SP0-033	0784536	HONDA	529
51360-SR3-A01	0391808	ROVER GROUP	1291	51450-SR0-A02	0783344	HONDA	513
51360-SR3-A02	0391808	HONDA	513	51450-SR0-A02	0783344	ROVER GROUP	1290
51360-SR3-A02	0391808	ROVER GROUP	1291	51450-SR3-003	0783344	HONDA	513
51360-ST7-010	0391808	HONDA	513	51450-SR3-003	0783344	ROVER GROUP	1290
51360-ST7-010	0391808	ROVER GROUP	1291	51450-SR3-013 *	0401807	HONDA	513
51360-SWA-E00	0798063	HONDA	522	51450-SR3-013 *	0401807	ROVER GROUP	1290
51360-SWA-E01 *	1216260	HONDA	522	51450-SR3-013	0783344	HONDA	513
51360-SWA-E01	0798063	HONDA	522	51450-SR3-013	0783344	ROVER GROUP	1290
51360-T1G-E01 *	1216263	HONDA	523	51450-SR3-023	0783344	HONDA	513
51360-T1G-E01	0795774	HONDA	523	51450-SR3-023	0783344	ROVER GROUP	1290
51360-TA0-A00	0393282	HONDA	509	51450-ST3-E02	0783344	HONDA	513
51360TA0A00	0393282	HONDA	509	51450-ST3-E02	0783344	ROVER GROUP	1290
51360-TF0-030 *	0403295	HONDA	527	51450-SV4-000 *	0403351	HONDA	505
51360-TF0-030	0793295	HONDA	527	51450-SV4-000	0783351	HONDA	505
51360-TG0-T02	0793295	HONDA	527	51450-SV4-A00	0783351	HONDA	505
51360-TG5-C01	0793295	HONDA	527	51450-SZ3-013	0784541	HONDA	530

RIF. ORIG. O.E. NUMBER	RIF. OCAP OCAP REF.	MARCA MAKE	PAG.	RIF. ORIG. O.E. NUMBER	RIF. OCAP OCAP REF.	MARCA MAKE	PAG.
51450-SZ3-901	0784542	HONDA	530				1149
51459-SE0-000	0783339	HONDA	503	51727863	0783814	FIAT	355
51459-SE0-003	0783339	HONDA	503	51727865	0793814	FIAT	355
51460-S04-003	0794233	HONDA	514	51741130	0503805	FIAT	351
51460-S04-023	0794233	HONDA	514	51744226	1249596	FIAT	355
51460-S10-020	0794316	HONDA	520	51748652	0383804	FIAT	351
51460-S1A-E01	0794242	HONDA	506	51748652	0383804	OPEL	1064
51460-S30-003	0792766	HONDA	535	51748652	0383804	SAAB	1299
51460-S584-A01	0794242	HONDA	506	51748652	0383804	VAUXHALL	1568
51460-SDA-A01 *	0404365	HONDA	507, 509	51748653	0393804	FIAT	351
51460-SDA-A01	0794365	HONDA	507	51748653	0393804	OPEL	1064
51460-SH3-000	0793334	HONDA	512	51748653	0393804	SAAB	1299
51460-SH3-010	0793334	HONDA	512	51748653	0393804	VAUXHALL	1568
51460-SH3-023	0793334	HONDA	512	51748740 *	1215781	FIAT	352
51460-SH3-030	0793334	HONDA	512	51748740	0702133	FIAT	352
51460-SM4-013	0793342	HONDA	504	51749713	0503076	ALFA ROMEO	11
51460-SM4-013	0793342	ROVER GROUP	1292	5175CC	0395171	CITROEN	273, 275
51460-SM4-023	0793342	HONDA	504	5175CC	0395171	PEUGEOT	1136, 1141, 1143
51460-SM4-023	0793342	ROVER GROUP	1292	5175CE	0385171	CITROEN	273, 275
51460-SM4-A02	0793342	HONDA	504	5175CE	0385171	PEUGEOT	1136, 1141, 1143
51460-SM4-A02	0793342	ROVER GROUP	1292	5175CF	0705171	CITROEN	273, 275
51460-SM4-A03	0793342	HONDA	504	5175CF	0705171	PEUGEOT	1136, 1141, 1143
51460-SM4-A03	0793342	ROVER GROUP	1292	5175EG	0708839	CITROEN	266, 285
51460-SP0-033	0794536	HONDA	529	5175EG	0708839	MITSUBISHI	867, 889, 902
51460-SR0-A02	0793344	HONDA	513	5175EG	0708839	PEUGEOT	1153, 1155
51460-SR3-003	0793344	HONDA	513	51760-0Q000	0404071	HYUNDAI	554
51460-SR3-013 *	0401807	HONDA	513	51760-0Q000	0404071	KIA	619, 626
51460-SR3-013 *	0401807	ROVER GROUP	1290	51760-1G000	0402771	HYUNDAI	541
51460-SR3-013	0793344	HONDA	513	51760-1G000	0402771	KIA	633
51460-SR3-023	0793344	HONDA	513	51760-2E000	0402498	HYUNDAI	575
51460-ST3-E02	0793344	HONDA	513	51760-2E-000	0402498	KIA	642
51460-SV4-000	0793351	HONDA	505	51760-2E000	0402498	KIA	642
51460-SV4-A00	0793351	HONDA	505	51760-2G000	0404071	HYUNDAI	554
51460-SZ3-013	0794541	HONDA	530	51760-2G000	0404071	KIA	616, 619, 626
51460-SZ3-901	0794542	HONDA	530	51760-2H000	0404071	HYUNDAI	554
51469-SE0-000	0793339	HONDA	503	51760-2H000	0404071	KIA	619, 626
51469-SE0-003	0793339	HONDA	503	51760-2R000	0404070	HYUNDAI	554
51510-TA0-A03	0783281	HONDA	509	51760-2R000	0404070	KIA	619
51510TA0A03	0783281	HONDA	509	51760-2R000	0404070	KIA	619
51520-TA0-A03	0793281	HONDA	509	51760-38000	0404087	HYUNDAI	568, 570
51520TA0A03	0793281	HONDA	509	51760-38000	0404087	KIA	624
515261	1216436	CITROEN	292	51760-3K000	0404093	HYUNDAI	572
515261	1216436	FIAT	387-388, 398	51769075	0783814	FIAT	355
515261	1216436	LANCIA	674	51769076	0793814	FIAT	355
515261	1216436	PEUGEOT	1150	51772988	0784570	FIAT	354
515414 *	0905343	CITROEN	271	51772989	0784570	FIAT	354
51701045	0501327	FIAT	369-370	51772992	0794570	FIAT	354
51701045	0501327	LANCIA	653, 664	51772993	0794570	FIAT	354
51704008	0501860	FIAT	365, 368	51776326	0383078	ALFA ROMEO	10
51707481	0392143	ALFA ROMEO	12	51776327	0393078	ALFA ROMEO	10
5170F1	0502736	PEUGEOT	1076	517821	0591657	PEUGEOT	1145, 1147, 1149
5170F5	0503520	CITROEN	291	517822	0581657	PEUGEOT	1145, 1147, 1149
5170F5	0503520	FIAT	362	517830	0591657	PEUGEOT	1145, 1147, 1149
5170F5	0503520	PEUGEOT	1075	51783009 *	0402133	FIAT	352
5170F6	0503520	CITROEN	291	51783009	0702133	FIAT	352
5170F6	0503520	FIAT	362	51783056 *	0402357	ALFA ROMEO	28
5170F6	0503520	PEUGEOT	1075	51783056 *	0402357	FIAT	368, 383
51712407	0781447	FIAT	354, 372, 374, 394	51783056 *	0402357	OPEL	1008, 1033
51712408	0791447	FIAT	354, 372, 374, 394	51783056	0782357	ALFA ROMEO	28
51717001	0501455	FIAT	355	51783056	0782357	CITROEN	295
517229	1214250	PEUGEOT	1145, 1149	51783056	0782357	FIAT	365, 368, 383
517247	1214250	PEUGEOT	1145, 1147,				

RIF. ORIG. O.E. NUMBER	RIF. OCAP OCAP REF.	MARCA MAKE	PAG.	RIF. ORIG. O.E. NUMBER	RIF. OCAP OCAP REF.	MARCA MAKE	PAG.
51783056	0782357	PEUGEOT	1071	5180607AB	0395592	CHRYSLER	240
51783057	0792357	ALFA ROMEO	28	51810664 *	0403263	FIAT	356, 416
51783057	0792357	CITROEN	295	51810664	0785495	FIAT	356
51783057	0792357	FIAT	365, 368, 383	51810665 *	0403263	FIAT	356, 416
51783057	0792357	PEUGEOT	1071	51810665	0795495	FIAT	356
517831	0581657	PEUGEOT	1145, 1147, 1149	51811978 *	1215880	ALFA ROMEO	28
517838	0501554	PEUGEOT	1133	51811978 *	1215880	CITROEN	295
517839	0501479	PEUGEOT	1133	51811978 *	1215880	FIAT	365, 368, 383
51784191	0602753	CITROEN	295	51811978 *	1215880	PEUGEOT	1071
51784191	0602753	FIAT	365	51811978	1215970	ALFA ROMEO	28
51784191	0602753	PEUGEOT	1071	51811978	1215970	CITROEN	295
517843	0591657	PEUGEOT	1147	51811978	1215970	FIAT	356, 365, 368, 383
517844	0581657	PEUGEOT	1147	51811978	1215970	PEUGEOT	1071
517846	0504390	CITROEN	275	51812443	1215562	FIAT	343, 393, 416
517846	0504390	PEUGEOT	1136, 1141, 1143	51812443	1215562	LANCIA	660
517847	0704382	CITROEN	273, 275	51815479	0501860	FIAT	365, 368
517847	0704382	PEUGEOT	1136, 1141, 1143	51815480	0501860	FIAT	365, 368
517848	0598077	CITROEN	266, 285	51817623	0392143	ALFA ROMEO	12
517848	0598077	MITSUBISHI	867, 902, 904	51817624	0382143	ALFA ROMEO	12
517848	0598077	PEUGEOT	1153, 1155	51827736 *	0402268	FIAT	343
517849	0588077	CITROEN	266, 285	51827736 *	0402268	LANCIA	660
517849	0588077	MITSUBISHI	867, 889, 902, 904	51827736	0792268	FIAT	343, 393
517849	0588077	PEUGEOT	1153, 1155	51827736	0792268	LANCIA	660
51785488	1214178	FIAT	365	51827737 *	0402268	FIAT	343
51786814 *	0903882	FIAT	415	51827737 *	0402268	LANCIA	660
51786815 *	0903882	FIAT	415	51827737	0782268	FIAT	343, 393
51787336	0382143	ALFA ROMEO	12	51827737	0782268	LANCIA	660
51787337	0392143	ALFA ROMEO	12	5182780	0508883	FORD	455, 472
517912 *	0905343	CITROEN	271	5182818	0508885	FORD	472
51795269	0502686	FIAT	343, 379, 393, 415	51832937	0391368	FIAT	370
51795269	0502686	FORD	459	51832937	0391368	LANCIA	664
51795269	0502686	LANCIA	660, 673	51832938	0381368	FIAT	370
51795336	1215562	FIAT	343, 393, 416	51832938	0381368	LANCIA	664
51795336	1215562	LANCIA	660	51834093	0393078	ALFA ROMEO	10
51795446	0382149	ALFA ROMEO	13	51834094	0383078	ALFA ROMEO	10
51795447	0392149	ALFA ROMEO	13	51835397	0393257	ALFA ROMEO	12
51795703	0592147	ALFA ROMEO	13	51835398	0383257	ALFA ROMEO	12
51795704	0582147	ALFA ROMEO	13	5183761AA	0282720	CHRYSLER	238
51795705	0592147	ALFA ROMEO	13	5183761AA	0282720	FIAT	366
51795706	0582147	ALFA ROMEO	13	5183761AA	0282720	JEEP	606
51795840	0785335	FIAT	368	5183761AD	0282720	CHRYSLER	238
51795841	0795335	FIAT	368	5183761AD	0282720	FIAT	366
51799757 *	0602583	ALFA ROMEO	28	5183761AD	0282720	JEEP	606
51799757 *	0602583	FIAT	383	51840600	1215562	FIAT	343, 393, 416
51799757 *	0602583	OPEL	1008, 1033	51840600	1215562	LANCIA	660
51801136	0502686	FIAT	343, 379, 393, 415	51842192	0392897	FIAT	382
51801136	0502686	FORD	459	51842193	0382897	FIAT	382
51801136	0502686	LANCIA	660, 673	51842924 *	1215815	ALFA ROMEO	13
51802373 *	0602583	ALFA ROMEO	28	51842924	0382149	ALFA ROMEO	13
51802373 *	0602583	FIAT	383	51842925 *	1215815	ALFA ROMEO	13
51802373 *	0602583	OPEL	1008, 1033	51842925	0392149	ALFA ROMEO	13
51803183	0503805	FIAT	351	51848645	0503264	FIAT	356
51804551	1216184	FIAT	383	51849600	0786493	FIAT	379
51805471	0392149	ALFA ROMEO	13	51849602	0796493	FIAT	379
51805472	0382149	ALFA ROMEO	13	51856959	0502740	FIAT	378-379
51805862	1216030	ALFA ROMEO	25	51857021	0392685	FIAT	415
51805863	1216031	ALFA ROMEO	25	51857022	0382685	FIAT	415
5180606AA	0385592	CHRYSLER	240	51857133 *	0903838	FIAT	378
5180606AB	0385592	CHRYSLER	240	51857133	0393837	FIAT	377
5180607AA	0395592	CHRYSLER	240	51857134 *	0903838	FIAT	378
				51857134	0383837	FIAT	377
				51857135	0393256	FIAT	377
				51857136	0383256	FIAT	377
				51861102 *	0602583	ALFA ROMEO	28

RIF. ORIG. O.E. NUMBER	RIF. OCAP OCAP REF.	MARCA MAKE	PAG.	RIF. ORIG. O.E. NUMBER	RIF. OCAP OCAP REF.	MARCA MAKE	PAG.
51861102 *	0602583	FIAT	383	51983600	1216252	FIAT	397
51861102 *	0602583	OPEL	1008, 1033	52005738	0184035	JEEP	603, 607
51875886 *	0903882	FIAT	415	52005739	0194027	JEEP	603, 607, 612-613
51875887 *	0903882	FIAT	415	52005740	0184025	JEEP	603, 607, 612-613
51885660 *	0403263	FIAT	356, 416	52005741	0194025	JEEP	603, 607, 612-613
51885660	0785495	FIAT	356, 416	52005742	0904026	JEEP	603, 607, 613
51885735 *	1215880	ALFA ROMEO	28	52006592	0184034	JEEP	603
51885735 *	1215880	CITROEN	295	52006602	0184029	JEEP	612
51885735 *	1215880	FIAT	365, 368, 383	52006606	0904029	JEEP	612
51885735 *	1215880	PEUGEOT	1071	52006608	0904027	JEEP	612
51885735	1215970	ALFA ROMEO	28	52008282	0795495	FIAT	356, 416
51885735	1215970	CITROEN	295	52008283	0785495	FIAT	356, 416
51885735	1215970	FIAT	356, 365, 368, 383	52011612	0785754	FIAT	397
51885735	1215970	PEUGEOT	1071	52011614	0795754	FIAT	397
51885737 *	0403263	FIAT	356, 416	52013468AA	0285591	CHRYSLER	240
51885737	0795495	FIAT	356, 416	52013468AB	0285591	CHRYSLER	240
51890706	0796498	LANCIA	673	52013468AC	0285591	CHRYSLER	240
51890709	0786498	LANCIA	673	52013468AD	0285591	CHRYSLER	240
51895366	0782357	ALFA ROMEO	28	52026316	0795495	FIAT	356
51895366	0782357	CITROEN	295	52026317	0785495	FIAT	356
51895366	0782357	FIAT	365, 368, 383	52026562	0405754	FIAT	397
51895366	0782357	PEUGEOT	1071	52037994	0184026	JEEP	607
51895367	0792357	ALFA ROMEO	28	52037996	0184028	JEEP	607
51895367	0792357	CITROEN	295	520672	0602893	CHEVROLET - DAEWOO 229	
51895367	0792357	FIAT	365, 368, 383	520808	0602895	CHEVROLET - DAEWOO 222, 226	
51895367	0792357	PEUGEOT	1071	520838	0602893	CHEVROLET - DAEWOO 229	
51905057 *	0406493	FIAT	379	52087674	0904025	JEEP	603, 607, 613
51905057 *	0406493	LANCIA	673	52087887	0185588	JEEP	613
51905057	0796498	LANCIA	673	52088283 *	0502647-K	JEEP	608
51905058 *	0406493	FIAT	379	52088283	0502647	JEEP	608
51905058 *	0406493	LANCIA	673	52088319AB	0509265	JEEP	608
51905058	0786498	LANCIA	673	52088461	0182645	JEEP	608
51928527	0786493	FIAT	379	52088463	0902645	JEEP	608
51928536	0796493	FIAT	379	52088466	0182646	JEEP	608
51932035	0795495	FIAT	356, 416	52088511	0192645	JEEP	608
51932036	0785495	FIAT	356, 416	52088632AC	0302562	JEEP	604
51939751 **	1216237	FIAT	417	52088634AB	1215809	JEEP	604
51939751 **	1216237	JEEP	610	52088649AC	1215825	JEEP	604
51939751	0785753	FIAT	417	52088662AB	0502570	JEEP	604
51939751	0785753	JEEP	610	52088746AA	1215824	JEEP	604
51939755 **	1216237	FIAT	417	52088869AA	0192646	JEEP	608
51939755 **	1216237	JEEP	610	52088870AA	0182646	JEEP	608
51939755	0795753	FIAT	417	52088870AB	0182646	JEEP	608
51939755	0795753	JEEP	610	52088871AB	0902646	JEEP	608
51939949	0505752	FIAT	397, 417	52089467AB *	0502579-K	JEEP	609
51939949	0505752	JEEP	610	52089467AB	0502579	JEEP	609
51942168	0505754	FIAT	418	52089486AC *	0502580-K	JEEP	609
51942168	0505754	JEEP	611	52089486AC	0502580	JEEP	609
51945321	0405752	FIAT	417	520898	0602895	CHEVROLET - DAEWOO 222, 226	
51945321	0405752	JEEP	610	52090206AF	0302573	JEEP	609
51956709	0796498	LANCIA	673	52090206AG *	1215810	JEEP	609
51956712	0786498	LANCIA	673	52090206AG	0302573	JEEP	609
51957400	0786493	FIAT	379	52090206AH	0302573	JEEP	609
51957401	0796493	FIAT	379	52090206AI	0302573	JEEP	609
51959820	0785752	FIAT	417	52109973AB	0502562	JEEP	605
51959820	0785752	JEEP	610	52109984AD	0602562	JEEP	605
51961341	0795752	FIAT	417	52109984AE	0602562	JEEP	605
51961341	0795752	JEEP	610	52109984AF	0602562	JEEP	605
51977024	0505753	FIAT	418	52109984AH	0602562	JEEP	605
51977024	0505753	JEEP	611	521136	0282914	CHEVROLET - DAEWOO 227-228, 234	
51983599	1215794	FIAT	343, 392-393, 397, 417	52125295AC	0509262	JEEP	605-606
51983599	1215794	JEEP	610				
51983599	1215794	LANCIA	660				

RIF. ORIG. O.E. NUMBER	RIF. OCAP OCAP REF.	MARCA MAKE	PAG.	RIF. ORIG. O.E. NUMBER	RIF. OCAP OCAP REF.	MARCA MAKE	PAG.
52125366AA	0282562	JEEP	605	52390-SM4-A04	0783348	ROVER GROUP	1292
52125367AA	0292562	JEEP	605	52390-SM5-A03	0783348	HONDA	504-505
52125453AA	0502562	JEEP	605	52390-SM5-A03	0783348	ROVER GROUP	1292
521255	0602915	CHEVROLET - DAEWOO 227		52390-SF0-013	0384537	HONDA	529
521257	0604211	CHEVROLET - DAEWOO 227		52390-SR3-000	0783285	HONDA	515
521410	0602895	CHEVROLET - DAEWOO 222, 226		52390SR3000	0783285	HONDA	515
521564	0604254	CHEVROLET - DAEWOO 233		5239314	0293802	FIAT	351
5231683	0401420	OPEL	1018, 1021, 1046, 1056, 1062, 1069	5239314	0293802	OPEL	1063
5231683	0401420	SAAB	1301	5239314	0293802	SAAB	1299, 1301
5231683	0401420	VAUXHALL	1543, 1545, 1564, 1566	5239314	0293802	VAUXHALL	1567
52320-S04-003	0584246	HONDA	515	5239322	0283802	FIAT	351
52320-S10-003	0584268	HONDA	520	5239322	0283802	OPEL	1063
52320-S2A-003	0502643	HONDA	538	5239322	0283802	SAAB	1299, 1301
52320-S2H-003	0582477	HONDA	524	5239322	0283802	SAAB	1299, 1301
52320-S30-003	0501563	HONDA	535	5239330	0609255	SAAB	1301
52320-S5A-013	0584297	HONDA	516	52400-SH3-030	0793285	HONDA	515
52320-S5T-J01	0584295	HONDA	516	52400SH3030	0793285	HONDA	515
52320-S7A-003	0582481	HONDA	537	52400-SM1-A03	0793348	HONDA	504-505
52320-S84-A01	0584531	HONDA	506, 508	52400-SM1-A03	0793348	ROVER GROUP	1292
52320-S9A-003	0584362	HONDA	521	52400-SM4-003	0793348	HONDA	504-505
52320-SED-003	0509281	HONDA	508	52400-SM4-003	0793348	ROVER GROUP	1292
52320-SNA-A01	0583291	HONDA	518	52400-SM4-033	0793348	HONDA	504-505
52320SNAA01	0583291	HONDA	518	52400-SM4-033	0793348	ROVER GROUP	1292
52320-SWA-A01	0588064	HONDA	522-523	52400-SM4-A04	0793348	HONDA	504-505
52320-TA0-A01	0583284	HONDA	509	52400-SM4-A04	0793348	ROVER GROUP	1292
52320TA0A01	0583284	HONDA	509	52400-SM5-A03	0793348	HONDA	504-505
52321-S04-003	0594246	HONDA	515	52400-SM5-A03	0793348	ROVER GROUP	1292
52321-S10-003	0594268	HONDA	520	52400-SP0-013	0394537	HONDA	529
52321-S2H-003	0592477	HONDA	524	52400-SR3-000	0793285	HONDA	515
52321-S5A-013	0594297	HONDA	516	52400SR3000	0793285	HONDA	515
52321-S5T-J01	0594295	HONDA	516	5253030	0908882	FORD	455, 472
52321-S7A-003	0592481	HONDA	537	52543786	0508890	ALFA ROMEO	24, 30
52321-S9A-003	0594362	HONDA	521	5272190	0502722	CHRYSLER	237-238
52321-SNA-A01	0593291	HONDA	518	5272324AC	0504036	CHRYSLER	236
52321SNAA01	0593291	HONDA	518	5272500AE	0604036	CHRYSLER	236
52321-SWA-A01	0598064	HONDA	522-523	5273731AB	1216213	CHRYSLER	239
5232480 **	1216402	FORD	472	5282207	0508884	FORD	456
52325-S84-A01	0594531	HONDA	506, 508	5295981	0508884	FORD	456
52325-TA0-A01	0593284	HONDA	509	53010-S04-000	0601933	HONDA	514
52325TA0A01	0593284	HONDA	509	53010-S10-000	0604533	HONDA	520
5233374	1216004	SAAB	1302	53010-S10-003	0604533	HONDA	520
52350-659-315	0783331	HONDA	510	53010-S2A-003	0602641	HONDA	538
5235585	0609255	SAAB	1301	53010-S2H-J01	0601942	HONDA	524
52360-659-315	0793331	HONDA	510	53010-S2H-J02	0601942	HONDA	524
5236674	0795183	SAAB	1302	53010-S50-003	0604545	HONDA	531
5236682	0785183	SAAB	1302	53010-S84-A01	0603278	HONDA	506
5237516	0405183	SAAB	1302	53010-SAA-J01	0684369	HONDA	526
52390-SE0-000	0703341	HONDA	503	53010-SDA-A01	0604364	HONDA	507
52390-SE0-003	0703341	HONDA	503	53010-SEL-003	0684369	HONDA	526
52390-SE0-013	0703341	HONDA	503	53010-SMG-E01	0693288	HONDA	517
52390-SE0-023	0703341	HONDA	503	53010SMGE01	0693288	HONDA	517
52390-SE0-033	0703341	HONDA	503	53010-SNA-A01	0603287	HONDA	517
52390-SE0-043	0703341	HONDA	503	53010-SNE-A01	0603287	HONDA	517
52390-SH3-030	0783285	HONDA	515	53010-SR3-010	0602925	HONDA	513
52390SH3030	0783285	HONDA	515	53010-SS0-000	0604548	HONDA	534
52390-SM1-A03	0783348	HONDA	504-505	53010-SV4-000	0602926	HONDA	505
52390-SM1-A03	0783348	ROVER GROUP	1292	53010-SW5-000	0601938	HONDA	530, 535
52390-SM4-003	0783348	HONDA	504-505	53010-SW5-003	0604540	HONDA	530
52390-SM4-003	0783348	ROVER GROUP	1292	53010-SWA-A01	0608063	HONDA	522
52390-SM4-033	0783348	HONDA	504-505	53010-SWC-G01	0608874	HONDA	522
52390-SM4-033	0783348	ROVER GROUP	1292	53010-SWC-G02	0608874	HONDA	522
52390-SM4-033	0783348	HONDA	504-505	53010-T0A-A01	0605774	HONDA	523
52390-SM4-A04	0783348	HONDA	504-505	53010-TA0-A01	0603280	HONDA	509
52390-SM4-A04	0783348	HONDA	504-505	53010-TF0-003	0603294	HONDA	527
52390-SM4-A04	0783348	HONDA	504-505	53010TF0003	0603294	HONDA	527

RIF. ORIG. O.E. NUMBER	RIF. OCAP OCAP REF.	MARCA MAKE	PAG.	RIF. ORIG. O.E. NUMBER	RIF. OCAP OCAP REF.	MARCA MAKE	PAG.
53011-SAA-J01	0694369	HONDA	526	53521-692-003	0600988	HONDA	502-503, 510, 532, 536
53011-SEL-003	0694369	HONDA	526	53521-S5A-003	0604295	HONDA	516
53011-SMG-E01	0683288	HONDA	517	53521-S7A-003	0602465	HONDA	537
53011SMGE01	0683288	HONDA	517	53521-S9A-003	0604361	HONDA	521
53037536	0904026	JEEP	603, 607, 613	53521-SA0-003	0600988	HONDA	502-503, 510, 532, 536
530600 *	0400524	ALFA ROMEO	19	53521-SA5-000	0603347	HONDA	502
530601 *	0400524	ALFA ROMEO	19	53521-SA5-003	0603347	HONDA	502
53310315	1215823	CITROEN	290-291	53521-SB0-000	0600190	HONDA	532-533
53310315	1215823	FIAT	361-362	53521-SB0-003	0600190	HONDA	532-533
53310315	1215823	PEUGEOT	1074-1075	53521-SB2-003	0603343	HONDA	511, 525, 536
5333720	0288882	FORD	455, 472	53521-SB2-013	0603343	HONDA	511, 525, 536
5333724	0298882	FORD	455, 472	53521-SD4-003	0600387	HONDA	528
5352000	0780103	OPEL	1016	53521-SD4-013	0600387	HONDA	528
5352000	0780103	VAUXHALL	1542	53521-SD4-023	0600387	HONDA	528
5352001	0790103	OPEL	1016	53521-SE0-003	0600988	HONDA	502-503, 510, 532, 536
5352001	0790103	VAUXHALL	1542	53521-SE0-013	0600988	HONDA	502-503, 510, 532, 536
5352004	0781747	OPEL	1018, 1062	53521-SE0-951	0600988	HONDA	502-503, 510, 532, 536
5352004	0781747	VAUXHALL	1543, 1566	53521-SF1-003	0600190	HONDA	532-533
5352005	0791747	OPEL	1018, 1062	53521-SH3-003	0600189	HONDA	512
5352005	0791747	VAUXHALL	1543, 1566	53521-SM4-003	0600388	HONDA	504
5352007	0791428	OPEL	1056	53521-SM4-013	0600388	HONDA	504
5352007	0791428	VAUXHALL	1564	53521-SP0-004	0604535	HONDA	529
5352008	0781428	OPEL	1056	53540-S04-003	0280283	HONDA	512-514, 520
5352008	0781428	VAUXHALL	1564	53540-S04-003	0280283	ROVER GROUP	1290
5352011 *	0791050	OPEL	1030	53540-S04-013	0280283	HONDA	512-514, 520
5352011 *	0791050	VAUXHALL	1556	53540-S04-013	0280283	ROVER GROUP	1290
5352011	0791049	OPEL	1030	53540-S1A-E01	0281935	HONDA	506
5352011	0791049	VAUXHALL	1556	53540-S30-005	0281937	HONDA	535
5352012 *	0781050	OPEL	1030	53540-S47-951	0282641	HONDA	538
5352012 *	0781050	VAUXHALL	1556	53540-SAA-003	0284368	HONDA	526
5352012	0781049	OPEL	1030	53540-SB2-003	0280987	HONDA	502-503, 510- 511, 525, 532, 536
5352012	0781049	VAUXHALL	1556	53540-SB2-013	0280987	HONDA	502-503, 510- 511, 525, 532, 536
5352014	0791245	CHEVROLET - DAEWOO 223		53540-SC2-003	0280987	HONDA	502-503, 510- 511, 525, 532, 536
5352014	0791245	OPEL	1043	53540-SC2-004	0280987	HONDA	502-503, 510- 511, 525, 532, 536
5352014	0791245	VAUXHALL	1541	53540-SD4-003	0283352	HONDA	528
5352016	0791747	OPEL	1018, 1062	53540-SD4-003	0283352	ROVER GROUP	1294
5352016	0791747	VAUXHALL	1543, 1566	53540-SDA-A01	0284363	HONDA	507
5352017	0781747	OPEL	1018, 1062	53540-SF1-004	0280191	HONDA	533
5352017	0781747	VAUXHALL	1543, 1566	53540-SH3-003	0280283	HONDA	512-514, 520
5352019	0593895	ISUZU	586	53540-SH3-003	0280283	ROVER GROUP	1290
5352019	0593895	OPEL	1034-1035	53540-SH3-013	0280283	HONDA	512-514, 520
5352019	0593895	VAUXHALL	1558-1559	53540-SH3-013	0280283	ROVER GROUP	1290
5352020	0583895	ISUZU	586	53540-SK3-E01	0282534	HONDA	519
5352020	0583895	OPEL	1034-1035	53540-SK3-E01	0282534	ROVER GROUP	1282-1283, 1288-1289
5352020	0583895	VAUXHALL	1558-1559	53540-SMG-003	0283286	HONDA	517
5352025	0494354	OPEL	1044	53540SMG003	0283286	HONDA	517
5352025	0494354	VAUXHALL	1560	53540-SMJ-003	0283286	HONDA	517
5352026	0484354	OPEL	1044	53540SMJ003	0283286	HONDA	517
5352026	0484354	VAUXHALL	1560	53540-SNA-A01	0283288	HONDA	517
5352027	0794355	OPEL	1044	53540-SNA-A02	0283288	HONDA	517
5352027	0794355	VAUXHALL	1560	53540-SP0-013	0284534	HONDA	529
5352028	0784355	OPEL	1044	53540-SP0-023	0284534	HONDA	529
5352028	0784355	VAUXHALL	1560				
5352029	0794359	OPEL	1021, 1069				
5352029	0794359	VAUXHALL	1545				
5352030	0784359	OPEL	1021, 1069				
5352030	0784359	VAUXHALL	1545				
5352038	0782587	OPEL	1008, 1033				
5352039	0792587	OPEL	1008, 1033				
53521-634-000	0600990	HONDA	510				
53521-671-000	0601228	HONDA	502				
53521-671-010	0601228	HONDA	502				
53521-689-003	0601228	HONDA	502				

RIF. ORIG. O.E. NUMBER	RIF. OCAP OCAP REF.	MARCA MAKE	PAG.	RIF. ORIG. O.E. NUMBER	RIF. OCAP OCAP REF.	MARCA MAKE	PAG.
53540-SR0-A01	0280283	HONDA	512-514, 520	53560-T1G-E01	0295774	HONDA	523
53540-SR0-A01	0280283	ROVER GROUP	1290	53560-T1W-A01	0295774	HONDA	523
53540-SR3-003	0280283	HONDA	512-514, 520	53560-TA0-A01	0293279	HONDA	509
53540-SR3-003	0280283	ROVER GROUP	1290	53560-TF0-003	0293293	HONDA	527
53540-SS0-003	0284547	HONDA	534	53560TF0003	0293293	HONDA	527
53540-SS0-004	0284547	HONDA	534	53610-SNB-J01	0603286	HONDA	517
53540-SWA-A01	0288063	HONDA	522	53610-SNR-A01	0603286	HONDA	517
53540-SWA-A02	0288063	HONDA	522	53610-TL1-G01	0603280	HONDA	509
53540-SX8-T01	0281941	HONDA	524, 531	5374V001000000	1211373	SMART	1399
53540-SZ3-003	0284539	HONDA	530	5376V001000000 *0901843		SMART	1399
53540-T1G-E01	0285774	HONDA	523	5376V001000000	1211373	SMART	1399
53540-T1W-A01	0285774	HONDA	523	5402637	1216428	OPEL	1021
53540-TA0-A01	0283279	HONDA	509	54100-H8500	0783583	NISSAN	989
53540-TF0-003	0283293	HONDA	527	54101-H1000	0793583	NISSAN	989
53540TF0003	0283293	HONDA	527	54101-H8500	0793583	NISSAN	989
535411315	0501100	SEAT	1356	5412629	0400512	CITROEN	281
535411315	0501100	VOLKSWAGEN	1600	5412629	0400512	FIAT	412
53541-S5A-000	0604295	HONDA	516	5412669	0400512	CITROEN	281
53541-S5A-003	0284294	HONDA	516, 521	5412669	0400512	FIAT	412
53541-S7A-003	0282464	HONDA	537	5413937	0500510	CITROEN	281
53560-S04-003	0290283	HONDA	512-514, 520	5413937	0500510	FIAT	412
53560-S04-003	0290283	ROVER GROUP	1290	5413938	0500511	CITROEN	281
53560-S04-013	0290283	HONDA	512-514, 520	5413938	0500511	FIAT	412
53560-S04-013	0290283	ROVER GROUP	1290	542140096	1215694	LDV	697
53560-S1A-E01	0291935	HONDA	506	542140106	1215695	LDV	697
53560-S30-005	0291937	HONDA	535	542150011	0395072	LDV	697
53560-SAA-003	0294368	HONDA	526	542150012	0385072	LDV	697
53560-SD4-003	0293352	HONDA	528	542180020	0508054	LDV	697
53560-SD4-003	0293352	ROVER GROUP	1294	542180023	0595068	LDV	697
53560-SDA-A01	0294363	HONDA	507	542180024	0585068	LDV	697
53560-SH3-003	0290283	HONDA	512-514, 520	542410018	0405069	LDV	697
53560-SH3-003	0290283	ROVER GROUP	1290	542410025	0405069	LDV	697
53560-SH3-013	0290283	HONDA	512-514, 520	542920 *	0400523	ALFA ROMEO	19
53560-SH3-013	0290283	ROVER GROUP	1290	542921 *	0400523	ALFA ROMEO	19
53560-SM4-003	0281556	HONDA	504-505	542921 *	0400524	ALFA ROMEO	19
53560-SM4-003	0281556	ROVER GROUP	1292	5429314	0400623	CITROEN	282, 284
53560-SM4-003	0291556	HONDA	504-505	5439684 *	0901678	CITROEN	282, 284
53560-SM4-003	0291556	ROVER GROUP	1292	54400-4A000	0792810	HYUNDAI	547
53560-SM4-004	0281556	HONDA	504-505	54401-4A000	0782810	HYUNDAI	547
53560-SM4-004	0281556	ROVER GROUP	1292	54403-38A00	0402484	HYUNDAI	568, 570-571
53560-SM4-004	0291556	HONDA	504-505	54403-38A00	0402484	KIA	624
53560-SM4-004	0291556	ROVER GROUP	1292	54410-38000	0792484	HYUNDAI	568, 570
53560-SMG-003	0293286	HONDA	517	54410-38000	0792484	KIA	624
53560SMG003	0293286	HONDA	517	54410-3E000	0392473	KIA	637
53560-SMJ-003	0293286	HONDA	517	54410-3E001	0392473	KIA	637
53560SMJ003	0293286	HONDA	517	54410-3E002	0392473	KIA	637
53560-SNA-A01	0293288	HONDA	517	544103E100	0392473	KIA	637
53560-SNA-A02	0293288	HONDA	517	54410-3F600	0794091	HYUNDAI	571
53560-SP0-013	0294534	HONDA	529	54410-3F600	0794092	HYUNDAI	571
53560-SP0-023	0294534	HONDA	529	54410-3F601	0794091	HYUNDAI	571
53560-SR0-A01	0290283	HONDA	512-514, 520	54410-3K000	0794091	HYUNDAI	571
53560-SR0-A01	0290283	ROVER GROUP	1290	54410-43004	0793495	HYUNDAI	549
53560-SR3-003	0290283	HONDA	512-514, 520	54410-43005	0793495	HYUNDAI	549
53560-SR3-003	0290283	ROVER GROUP	1290	54417-43000	0402940	HYUNDAI	549
53560-SS0-003	0294547	HONDA	534	5441743000	0402940	HYUNDAI	549
53560-SS0-004	0294547	HONDA	534	54417-43001	0402940	HYUNDAI	547, 549
53560-SV4-003	0281556	HONDA	504-505	54417-43001	0402940	NISSAN	899-900
53560-SV4-003	0281556	ROVER GROUP	1292	54417-43A00	0402940	HYUNDAI	547, 549
53560-SV4-003	0291556	HONDA	504-505	54417-43A00	0402940	HYUNDAI	899-900
53560-SV4-003	0291556	ROVER GROUP	1292	54417-43A01	0402940	HYUNDAI	547, 549
53560-SX0-013	0281556	HONDA	504-505	54417-43A01	0402940	NISSAN	899-900
53560-SX0-013	0281556	ROVER GROUP	1292	5441744000	0400555	HYUNDAI	545
53560-SX0-013	0291556	HONDA	504-505	5441744000	0400555	NISSAN	891, 894, 898, 900, 905
53560-SX0-013	0291556	ROVER GROUP	1292	54417-47000	0402940	HYUNDAI	547, 549
53560-SZ3-003	0294539	HONDA	530				

RIF. ORIG. O.E. NUMBER	RIF. OCAP OCAP REF.	MARCA MAKE	PAG.	RIF. ORIG. O.E. NUMBER	RIF. OCAP OCAP REF.	MARCA MAKE	PAG.
54417-47000	0402940	MINIBUS MITSUBISHI	899-900	54500-00QAH **	0400928-K	RENAULT	1178, 1183, 1186, 1200, 1215, 1230, 1241, 1243, 1250, 1261, 1263, 1271
54417-4A000	0402940	HYUNDAI	547, 549	54500-00QAH	0783209	NISSAN	941, 970
54417-4A000	0402940	MINIBUS MITSUBISHI	899-900	54500-00QAH	0783209	RENAULT	1186, 1200, 1263
54417-4AA00	0402940	HYUNDAI	547, 549	545000138R	0782453	DACIA	317
54417-4AA00	0402940	MINIBUS MITSUBISHI	899-900	54500-02000	0794457	HYUNDAI	542
54417-4BA00	0402940	HYUNDAI	547, 549	54500-02050	0794457	HYUNDAI	542
54417-4BA00	0402940	MINIBUS MITSUBISHI	899-900	54500-02051	0794457	HYUNDAI	542
54420-38000	0782484	HYUNDAI	568, 570	54500-02052	0794457	HYUNDAI	542
54420-38000	0782484	KIA	624	545000399R	0783217	RENAULT	1195, 1219, 1257
54420-3E000	0382473	KIA	637	54500-07100	0792792	KIA	627
54420-3E001	0382473	KIA	637	54500-07100	0792793	KIA	627
54420-3E002	0382473	KIA	637	54500-07150	0792792	KIA	627
54420-3E100	0382473	KIA	637	54500-07150	0792793	KIA	627
54420-3F600	0784091	HYUNDAI	571	54500-07160	0792792	KIA	627
54420-3F600	0784092	HYUNDAI	571	54500-07161	0792792	KIA	627
54420-3F601	0784091	HYUNDAI	571	54500-07200	0792792	KIA	627
54420-3K000	0784091	HYUNDAI	571	54500-07250	0792792	KIA	627
54430-3F600	0404092	HYUNDAI	571	54500-07260	0792792	KIA	627
54430-43004	0783495	HYUNDAI	549	54500-07261	0792792	KIA	627
54430-43005	0783495	HYUNDAI	549	54500-0M010	0783587	NISSAN	924
5443144000	0400555	HYUNDAI	545	54500-0M020	0783587	NISSAN	924
5443144000	0400555	MINIBUS MITSUBISHI	891, 894, 898, 900, 905	54500-0M060	0783587	NISSAN	924
54431-44000	0783297	HYUNDAI	545	54500-0W000	0782576	NISSAN	957
5443144000	0783297	HYUNDAI	545	54500-0W001	0782576	NISSAN	957
5-44350-095-0	0603371	ISUZU	583, 585	54500-0X000	0793959	HYUNDAI	550
5-44350-095-1	0603371	ISUZU	583, 585	54500-0X200	0793959	HYUNDAI	550
5-44350-095-2	0603371	ISUZU	583, 585	545001064R	0788099	DACIA	316, 319
5-44350-095-3	0603371	ISUZU	583, 585	545001064R	0788099	RENAULT	1264
5-44352-026-0	0280455	ISUZU	582-583, 585	545001535R	0782453	DACIA	317
54440-H1000	0402815	HYUNDAI	573	54500-17000	0792768	HYUNDAI	561
5445000QAA	1216063	NISSAN	939	54500-1AA0A	0385739	NISSAN	952
5445000QAA	1216063	OPEL	1050	54500-1AA1A	0385739	NISSAN	952
5445000QAA	1216063	RENAULT	1210	54500-1AT0A	0385739	NISSAN	952
5445860 *	0180610	CITROEN	287	54500-1AT0B *	1216203	NISSAN	952
5445860	0580612	CITROEN	287	54500-1AT0B	0385739	NISSAN	952
5445861 *	0190610	CITROEN	287	54500-1C000	0794468	HYUNDAI	546
5445861	0590612	CITROEN	287	54500-1D000	0794109	KIA	616
545000001R	0785336	RENAULT	1206	54500-1E000	0792774	HYUNDAI	541
545000002R	0785336	RENAULT	1206	54500-1E000	0792774	KIA	633
545000008R *	0405740	RENAULT	1207	54500-1E100	0792773	HYUNDAI	541
545000008R	0785740	RENAULT	1207	54500-1E100	0792773	KIA	633
545000011R *	0405336	RENAULT	1206	54500-1F000	0792498	HYUNDAI	575
545000011R	0785336	RENAULT	1206	54500-1F000	0792498	KIA	642
545000012R *	0405336	RENAULT	1206	54500-1F100	0792498	HYUNDAI	575
54500-00Q1E *	1216017	NISSAN	955	54500-1F100	0792498	KIA	642
54500-00Q2B *	0403875	NISSAN	954	54500-1F110	0792498	HYUNDAI	575
54500-00Q2B	0383875	NISSAN	954	54500-1F110	0792498	KIA	642
54500-00Q2B	0383875	OPEL	1067	54500-1FU0B	0782665	NISSAN	938, 953, 995
54500-00Q2B	0383875	RENAULT	1269	54500-1HAOC *	0405598	NISSAN	950
54500-00QAC	0381494	NISSAN	939	54500-1HAOC	0785598	NISSAN	950
54500-00QAC	0381494	OPEL	1049	54500-1J500	0794077	HYUNDAI	552
54500-00QAC	0381494	RENAULT	1209	54500-1J700	0794077	HYUNDAI	552
54500-00QAC	0381494	VAUXHALL	1561	54500-1JY0A	0782665	NISSAN	938, 953, 995
54500-00QAE	0381494	NISSAN	939	54500-1KA0B *	0408071	NISSAN	938, 940, 953, 995
54500-00QAE	0381494	OPEL	1049	54500-1KA0B	0788071	NISSAN	940
54500-00QAE	0381494	RENAULT	1209	54500-1P000	0798093	HYUNDAI	557
54500-00QAE	0381494	VAUXHALL	1561	54500-1P000	0798093	KIA	644
54500-00QAH *	0400928	NISSAN	941, 970	54500-1W000	0795494	KIA	634
54500-00QAH *	0400928	RENAULT	1178, 1183, 1186, 1200, 1215, 1230, 1241, 1243, 1250, 1261, 1263, 1271				
54500-00QAH **	0400928-K	NISSAN	941, 970				

RIF. ORIG. O.E. NUMBER	RIF. OCAP OCAP REF.	MARCA MAKE	PAG.	RIF. ORIG. O.E. NUMBER	RIF. OCAP OCAP REF.	MARCA MAKE	PAG.
54500-1Y000	0795728	KIA	628	54500-4B000	0783587	NISSAN	924
54500-1Y100	0795728	KIA	628	54500-4D001	0794567	KIA	618
54500-21B00	0781987	NISSAN	947	54500-4EA0B *	1216285	NISSAN	983
54500-22000	0794467	HYUNDAI	539	54500-4EA0B *	1216285	RENAULT	1196
54500-22100	0794467	HYUNDAI	539	54500-4EA0B	0785783	NISSAN	983
54500-22200	0794467	HYUNDAI	539	54500-4EA0B	0785783	RENAULT	1196
54500-24000	0792658	HYUNDAI	563	54500-4F102	0780915	NISSAN	947
54500-25000	0794515	HYUNDAI	540	54500-4F105	0780915	NISSAN	947
54500-25001	0794515	HYUNDAI	540	54500-4F150	0780915	NISSAN	947
54500-29000	0792655	HYUNDAI	560	54500-4H000	0795195	HYUNDAI	548
54500-29500	0792655	HYUNDAI	560	54500-4M400	0784398	NISSAN	925
54500-2B000	0794083	HYUNDAI	565	54500-4M410	0784398	NISSAN	925
54500-2B000	0794083	KIA	639	54500-4N000	0783587	NISSAN	924
54500-2B100	0794083	HYUNDAI	565	54500-4U002	0782823	NISSAN	926
54500-2B100	0794083	KIA	639	54500-4U012	0782823	NISSAN	926
54500-2B500	0794083	HYUNDAI	565	54500-50A00	0783585	NISSAN	991
54500-2B500	0794083	KIA	639	54500-50J10	0783549	NISSAN	973
54500-2D000	0792846	HYUNDAI	544	54500-52Y10	0783586	NISSAN	992, 997
54500-2D002	0792846	HYUNDAI	544	54500-52Y15	0783586	NISSAN	992, 997
54500-2E000	0792498	HYUNDAI	575	54500-52Y60	0783586	NISSAN	992, 997
54500-2E000	0792498	KIA	642	54500-52Y70	0783586	NISSAN	992, 997
54500-2E001	0792498	HYUNDAI	575	545006069R	0383875	NISSAN	954
54500-2E001	0792498	KIA	642	545006069R	0383875	OPEL	1067
54500-2F000	0792790	KIA	621	545006069R	0383875	RENAULT	1269
54500-2F001	0792790	KIA	621	545006069R*	0403875	NISSAN	954
54500-2F500	0784384	NISSAN	976	545006069R*	0403875	OPEL	1067
54500-2G000	0794107	KIA	626	545006069R*	0403875	RENAULT	1269
54500-2G001	0794107	KIA	626	545006542R *	1216020	DACIA	317
54500-2G100	0794107	KIA	626	545006542R	0782453	DACIA	317
54500-2G101	0794107	KIA	626	545006623R	0788099	DACIA	316, 319
54500-2H000	0794071	HYUNDAI	554	545006623R	0788099	RENAULT	1264
54500-2H000	0794071	KIA	619	54500-6F600 *	0404615	NISSAN	948
54500-2K300	0798094	KIA	640	54500-6F600	0784615	NISSAN	948
54500-2K600	0798094	KIA	640	54500-7106R	0788099	DACIA	316, 319
54500-2P000	0794083	HYUNDAI	565	545007106R	0788099	DACIA	316, 319
54500-2P000	0794083	KIA	639	54500-7106R	0788099	RENAULT	1264
54500-2S601	0784625	NISSAN	968	545007106R	0788099	RENAULT	1264
54500-2S685	0784625	NISSAN	968	54500-7C350	0784640	NISSAN	985
54500-2S686	0784625	NISSAN	968	545008682R	0783217	RENAULT	1195, 1219, 1257
54500-2U711	0784615	NISSAN	948				
54500-2Y000	0798092	HYUNDAI	558	54500-86J00	0783549	NISSAN	973
54500-2Y000	0798092	KIA	643	54500-8H310	0384514	NISSAN	1005
54500-31600	0401288	HYUNDAI	539-540, 543-544, 546, 552-553, 557, 560-561, 566, 569	54500-90J00	0783549	NISSAN	973
				545009207R *	0403217	RENAULT	1195, 1219, 1257
54500-31600	0401288	KIA	621, 627, 644	545009207R	0783217	RENAULT	1195, 1219, 1257
54500-33000	0793357	HYUNDAI	566	545009246R	0785740	RENAULT	1207
54500-34000	0795159	HYUNDAI	567	54500-9F500	0784384	NISSAN	976
54500-34010	0795159	HYUNDAI	567	54500-A0000	0798877	HYUNDAI	543
54500-38000	0794087	HYUNDAI	568	54500-A6200	0795738	HYUNDAI	555
54500-38010	0794087	HYUNDAI	568	54500-A6200	0795738	KIA	620
54500-38011	0794088	HYUNDAI	570	54500-AV600 *	0404385	NISSAN	977
54500-38011	0794088	KIA	624	54500-AV600	0784385	NISSAN	977
54500-3K000	0794093	HYUNDAI	572	54500-AV605	0784385	NISSAN	977
54500-3Z000	0395496	HYUNDAI	556	54500-AV606	0784385	NISSAN	977
54500-41U00	0784492	NISSAN	946	54500-AX600	0784298	NISSAN	949
545004269R	0782452	DACIA	318	54500-AX60B	0784298	NISSAN	949
54500-44B00	0780915	NISSAN	947	54500-B9000	0798831	HYUNDAI	551
545004529R *	0408099	DACIA	316, 319	54500-BB00A	0783124	NISSAN	981, 1006
545004529R *	0408099	RENAULT	1264	54500-BB00A	0783124	RENAULT	1202
545004529R	0788099	DACIA	316, 319	54500-BC41A	0784298	NISSAN	949
545004529R	0788099	RENAULT	1264	54500-BC42A	0784298	NISSAN	949
54500-4A000	0792809	HYUNDAI	547	54500-BM410 *	0404398	NISSAN	925
54500-4A600	0792809	HYUNDAI	547	54500-BM410	0784398	NISSAN	925

RIF. ORIG. O.E. NUMBER	RIF. OCAP OCAP REF.	MARCA MAKE	PAG.	RIF. ORIG. O.E. NUMBER	RIF. OCAP OCAP REF.	MARCA MAKE	PAG.
54500-BN300	0784398	NISSAN	925	545010294R	0798099	DACIA	316, 319
54500-BR30A *	1215977	NISSAN	981, 1006	54501-0294R	0798099	RENAULT	1264
54500-BR30A *	1215977	RENAULT	1202	545010294R	0798099	RENAULT	1264
54500-BR30A	0783124	NISSAN	981, 1006	54501-07100	0782792	KIA	627
54500-BR30A	0783124	RENAULT	1202	54501-07100	0782793	KIA	627
54500-C8000	0798852	HYUNDAI	553	54501-07150	0782792	KIA	627
54500-CC40A	0786500	NISSAN	951	54501-07150	0782793	KIA	627
54500-EB300	0785569	NISSAN	959	54501-07160	0782792	KIA	627
54500-EB30C *	0404621	NISSAN	959	54501-07161	0782792	KIA	627
54500-EB31A	0785569	NISSAN	959	54501-07200	0782792	KIA	627
54500-EL000 *	0408071	NISSAN	938, 940, 953, 995	54501-07250	0782792	KIA	627
54500-EL000	0782665	NISSAN	938, 953, 995	54501-07260	0782792	KIA	627
54500-EW000 *	0408071	NISSAN	938, 940, 953, 995	54501-07261	0782792	KIA	627
54500-EW000	0782665	NISSAN	938, 953, 995	54501-0M010	0793587	NISSAN	924
54500-F4300	0783587	NISSAN	924	54501-0M020	0793587	NISSAN	924
54500-FD000	0393260	KIA	632	54501-0M060	0793587	NISSAN	924
54500-JD000 **	1215977	NISSAN	981, 1006	54501-0N615	0793587	NISSAN	924
54500-JD000 **	1215977	RENAULT	1202	54501-0W000	0792576	NISSAN	957
54500-JD000	0783124	NISSAN	981, 1006	54501-0W001	0792576	NISSAN	957
54500-JD000	0783124	RENAULT	1202	54501-0X000	0783959	HYUNDAI	550
54500-JD000	0783124	RENAULT	1202	54501-0X200	0783959	HYUNDAI	550
54500-JG000 **	1215977	NISSAN	981, 1006	545011362R	0792452	DACIA	318
54500-JG000 **	1215977	RENAULT	1202	545011697R	0792453	DACIA	317
54500-JG000	0783124	NISSAN	981, 1006	54501-17000	0782768	HYUNDAI	561
54500-JG000	0783124	RENAULT	1202	545011727R *	0408099	DACIA	316, 319
54500JY00A **	1215977	NISSAN	981, 1006	545011727R *	0408099	RENAULT	1264
54500JY00A **	1215977	RENAULT	1202	545011727R	0798099	DACIA	316, 319
54500-JY00A	0783124	NISSAN	981, 1006	545011727R	0798099	RENAULT	1264
54500-JY00A	0783124	RENAULT	1202	545011952R	0795740	RENAULT	1207
54500-VK300	0784625	NISSAN	968	54501-1AA0A	0395739	NISSAN	952
54500-VK325	0784625	NISSAN	968	54501-1AA1A	0395739	NISSAN	952
545010008R	0795336	RENAULT	1206	54501-1AT0A	0395739	NISSAN	952
545010009R	0795336	RENAULT	1206	54501-1AT0B *	1216204	NISSAN	952
545010010R *	0405740	RENAULT	1207	54501-1AT0B	0395739	NISSAN	952
545010010R	0795740	RENAULT	1207	54501-1C000	0784468	HYUNDAI	546
545010012R	0795336	RENAULT	1206	54501-1D000	0784109	KIA	616
54501-00Q1C *	1216017	NISSAN	955	54501-1E000	0782774	HYUNDAI	541
54501-00Q1M	0393875	NISSAN	954	54501-1E000	0782774	KIA	633
54501-00Q1M	0393875	OPEL	1067	54501-1E100	0782773	HYUNDAI	541
54501-00Q1M	0393875	RENAULT	1269	54501-1E100	0782773	KIA	633
54501-00QAC	0381494	NISSAN	939	54501-1F010	0782498	HYUNDAI	575
54501-00QAC	0381494	OPEL	1049	54501-1F010	0782498	KIA	642
54501-00QAC	0381494	RENAULT	1209	54501-1F100	0782498	HYUNDAI	575
54501-00QAC	0381494	VAUXHALL	1561	54501-1F100	0782498	KIA	642
54501-00QAC	0391494	NISSAN	939	54501-1F110	0782498	HYUNDAI	575
54501-00QAC	0391494	OPEL	1049	54501-1F110	0782498	KIA	642
54501-00QAC	0391494	RENAULT	1209	54501-1FU0B	0792665	NISSAN	938, 953, 995
54501-00QAC	0391494	VAUXHALL	1561	54501-1HA0C *	0405598	NISSAN	950
54501-00QAD	0391494	NISSAN	939	54501-1HA0C	0795598	NISSAN	950
54501-00QAD	0391494	OPEL	1049	54501-1J500	0784077	HYUNDAI	552
54501-00QAD	0391494	RENAULT	1209	54501-1J700	0784077	HYUNDAI	552
54501-00QAD	0391494	VAUXHALL	1561	54501-1JY0A	0792665	NISSAN	938, 953, 995
54501-00QAE	0391494	NISSAN	939	54501-1KA0B *	0408071	NISSAN	938, 940, 953, 995
54501-00QAE	0391494	OPEL	1049	54501-1KA0B **	1216154	NISSAN	940
54501-00QAE	0391494	RENAULT	1209	54501-1KA0B	0798071	NISSAN	940
54501-00QAE	0391494	VAUXHALL	1561	54501-1P000	0788093	HYUNDAI	557
54501-00QAH	0793209	NISSAN	941, 970	54501-1P000	0788093	KIA	644
54501-00QAH	0793209	RENAULT	1186, 1200, 1263	54501-1W000	0785494	KIA	634
54501-02000	0784457	HYUNDAI	542	54501-1Y000	0785728	KIA	628
54501-02050	0784457	HYUNDAI	542	54501-1Y100 *	1216195	KIA	628
54501-02051	0784457	HYUNDAI	542	54501-1Y100	0785728	KIA	628
54501-02052	0784457	HYUNDAI	542	54501-21B00	0791987	NISSAN	947
54501-0294R	0798099	DACIA	316, 319	54501-22000	0784467	HYUNDAI	539
				54501-22100	0784467	HYUNDAI	539

RIF. ORIG. O.E. NUMBER	RIF. OCAP OCAP REF.	MARCA MAKE	PAG.	RIF. ORIG. O.E. NUMBER	RIF. OCAP OCAP REF.	MARCA MAKE	PAG.
54501-22200	0784467	HYUNDAI	539	54501-4F102	0790915	NISSAN	947
54501-24000	0782658	HYUNDAI	563	54501-4F105	0790915	NISSAN	947
54501-25000	0784515	HYUNDAI	540	54501-4F150	0790915	NISSAN	947
54501-25001	0784515	HYUNDAI	540	54501-4H000	0785195	HYUNDAI	548
54501-26000	0794465	HYUNDAI	564	54501-4M400	0794398	NISSAN	925
545012815R	0792453	DACIA	317	54501-4M410	0794398	NISSAN	925
54501-29000	0782655	HYUNDAI	560	54501-4N000	0793587	NISSAN	924
54501-29500	0782655	HYUNDAI	560	54501-4U002	0792823	NISSAN	926
54501-2B000	0784083	HYUNDAI	565	54501-4U012	0792823	NISSAN	926
54501-2B000	0784083	KIA	639	54501-50A00	0793585	NISSAN	991
54501-2B100	0784083	HYUNDAI	565	54501-50J10	0793549	NISSAN	973
54501-2B100	0784083	KIA	639	54501-52Y10	0793586	NISSAN	992, 997
54501-2B500	0784083	HYUNDAI	565	54501-52Y15	0793586	NISSAN	992, 997
54501-2B500	0784083	KIA	639	54501-52Y60	0793586	NISSAN	992, 997
54501-2D000	0782846	HYUNDAI	544	54501-52Y70	0793586	NISSAN	992, 997
54501-2D002	0782846	HYUNDAI	544	545016746R *	1216020	DACIA	317
54501-2E000	0782498	HYUNDAI	575	545016746R	0792453	DACIA	317
54501-2E000	0782498	KIA	642	545016838R	0793217	RENAULT	1195, 1219, 1257
54501-2E001	0782498	HYUNDAI	575	54501-6F600	0794615	NISSAN	948
54501-2E001	0782498	KIA	642	545017081R	0798099	DACIA	316, 319
54501-2E010	0782498	HYUNDAI	575	545017081R	0798099	RENAULT	1264
54501-2E010	0782498	KIA	642	54501-7C350	0794640	NISSAN	985
54501-2F000	0782790	KIA	621	545018194R	0793217	RENAULT	1195, 1219, 1257
54501-2F001	0782790	KIA	621	545018433R	0792132	RENAULT	1193
54501-2F500	0794384	NISSAN	976	54501-86J00	0793549	NISSAN	973
54501-2G000	0784107	KIA	626	54501-86J00	0793549	NISSAN	973
54501-2G001	0784107	KIA	626	54501-8H310	0394514	NISSAN	1005
54501-2G100	0784107	KIA	626	54501-90J00	0793549	NISSAN	973
54501-2G101	0784107	KIA	626	545019811R	0798099	DACIA	316, 319
54501-2H000	0784071	HYUNDAI	554	545019811R	0798099	RENAULT	1264
54501-2H000	0784071	KIA	619	545019956R	0393875	NISSAN	954
54501-2K000	0788094	KIA	640	545019956R	0393875	OPEL	1067
54501-2K300	0788094	KIA	640	545019956R	0393875	RENAULT	1269
54501-2P000	0784083	HYUNDAI	565	545019956R*	0403875	NISSAN	954
54501-2P000	0784083	KIA	639	545019956R*	0403875	OPEL	1067
54501-2S601	0794625	NISSAN	968	545019956R*	0403875	RENAULT	1269
54501-2S685	0794625	NISSAN	968	545019969R	0792453	DACIA	317
54501-2S686	0794625	NISSAN	968	54501-A0000	0788877	HYUNDAI	543
54501-2U711	0794615	NISSAN	948	54501-A6200	0785738	HYUNDAI	555
54501-2Y000	0788092	HYUNDAI	558	54501-A6200	0785738	KIA	620
54501-2Y000	0788092	KIA	643	54501-AV600	0794385	NISSAN	977
54501-33000	0783357	HYUNDAI	566	54501-AV605	0794385	NISSAN	977
54501-34000	0785159	HYUNDAI	567	54501-AV606	0794385	NISSAN	977
54501-34010	0785159	HYUNDAI	567	54501-AX600	0794298	NISSAN	949
54501-38000	0784087	HYUNDAI	568	54501-AX60B	0794298	NISSAN	949
54501-38010	0784087	HYUNDAI	568	54501-B9000	0788831	HYUNDAI	551
54501-38011	0784088	HYUNDAI	570	54501-BB00A	0793124	NISSAN	981, 1006
54501-38011	0784088	KIA	624	54501-BB00A	0793124	RENAULT	1202
54501-3A100	0792489	HYUNDAI	574	54501-BC41A	0794298	NISSAN	949
54501-3A201	0792489	HYUNDAI	574	54501-BC42A	0794298	NISSAN	949
54501-3K000	0784093	HYUNDAI	572	54501-BM410 *	0404398	NISSAN	925
54501-3Z000	0385496	HYUNDAI	556	54501-BM410	0794398	NISSAN	925
545014055R	0793217	RENAULT	1195, 1257	54501-BN300	0794398	NISSAN	925
545014055R	1215956	RENAULT	1195, 1257	54501-BR30A	0793124	NISSAN	981, 1006
54501-41U00	0794492	NISSAN	946	54501-BR30A	0793124	RENAULT	1202
54501-44B00	0790915	NISSAN	947	54501-C8000	0788852	HYUNDAI	553
54501-4A000	0782809	HYUNDAI	547	54501-CC40A	0796500	NISSAN	951
54501-4A600	0782809	HYUNDAI	547	54501-EB300	0795569	NISSAN	959
54501-4D001	0784567	KIA	618	54501-EB30C *	0404621	NISSAN	959
54501-4EA0B *	1216286	NISSAN	983	54501-EB31A	0795569	NISSAN	959
54501-4EA0B *	1216286	RENAULT	1196	54501-EL000 *	0408071	NISSAN	938, 940, 953, 995
54501-4EA0B	0795783	NISSAN	983	54501-EL000	0792665	NISSAN	938, 953, 995
54501-4EA0B	0795783	RENAULT	1196	54501-EW000 *	0408071	NISSAN	938, 940, 953,

RIF. ORIG. O.E. NUMBER	RIF. OCAP OCAP REF.	MARCA MAKE	PAG.	RIF. ORIG. O.E. NUMBER	RIF. OCAP OCAP REF.	MARCA MAKE	PAG.
			995				1256
54501-EW000	0792665	NISSAN	938, 953, 995	545040131R	0784173	RENAULT	1181, 1217,
54501-F4300	0793587	NISSAN	924				1256
54501-FD000	0383260	KIA	632	545041327R	0784173	RENAULT	1181, 1217,
54501-JD000	0793124	NISSAN	981, 1006				1256
54501-JD000	0793124	RENAULT	1202	545043778R	0388680	RENAULT	1194
54501-JG000	0793124	NISSAN	981, 1006	545045297R *	0408502	RENAULT	1220
54501-JG000	0793124	RENAULT	1202	545045297R	0788502	RENAULT	1220
54501-JY00A	0793124	NISSAN	981, 1006	545045460R	0388680	RENAULT	1194
54501-JY00A	0793124	RENAULT	1202	545045476R	0784173	RENAULT	1181, 1217,
54501-VK300	0794625	NISSAN	968				1256
54501-VK325	0794625	NISSAN	968	54504-6817R	0785583	RENAULT	1189
54501-VK385	0794625	NISSAN	968	545046817R	0785583	RENAULT	1189
54502-00Q0C	0384627	NISSAN	972	545047275R	0388680	RENAULT	1194
54502-00Q0C	0384627	OPEL	1066	545047275R*	0408503	RENAULT	1194, 1221,
54502-00Q0C	0384627	RENAULT	1268				1258
54502-00QAA *	0403877	NISSAN	972	545047654R *	0405770	RENAULT	1273
54502-00QAA *	0403877	OPEL	1065	545047654R *	0405770	SMART	1401, 1403
54502-00QAA *	0403877	RENAULT	1193, 1204,	545047654R	0785770	RENAULT	1273
			1267	545047654R	0785770	SMART	1401, 1403
54502-00QAA *	0403877	VAUXHALL	1570	545047954R	0784173	RENAULT	1181, 1217,
54502-00QAA	0783808	NISSAN	972				1256
54502-00QAA	0783808	OPEL	1065	545048101R	0782132	RENAULT	1193
54502-00QAA	0783808	RENAULT	1267	54504-8506R	0785583	RENAULT	1189
54502-00QAA	0783808	VAUXHALL	1570	545048628R	0785770	RENAULT	1273
54502-01G90	0784493	NISSAN	964	545048628R	0785770	SMART	1401, 1403
54502-26000	0784465	HYUNDAI	564	545049124R *	0408502	RENAULT	1220
54502-28070	0793374	HYUNDAI	559	545049124R	0388504	RENAULT	1220
54502-2S485	0780437	NISSAN	967	545049327R	0388680	RENAULT	1194
54502-3A100	0782489	HYUNDAI	574	545049327R	0398680	RENAULT	1194
54502-3A201	0782489	HYUNDAI	574	545049671R *	0408503	RENAULT	1194, 1221,
54503-00Q0C	0394627	NISSAN	972				1258
54503-00Q0C	0394627	OPEL	1066	545049671R	0388503	RENAULT	1221, 1258
54503-00Q0C	0394627	RENAULT	1268	545050303R	0398680	RENAULT	1194
54503-00QAA	0793808	NISSAN	972	545050303R*	0408503	RENAULT	1194, 1221,
54503-00QAA	0793808	OPEL	1065				1258
54503-00QAA	0793808	RENAULT	1267	54505-0510R	0795583	RENAULT	1189
54503-00QAA	0793808	VAUXHALL	1570	545051051R545050704R0792132		RENAULT	1193
54503-01G90	0794493	NISSAN	964	545051097R *	0405770	RENAULT	1273
54503-14200	0403370	HYUNDAI	562	545051097R *	0405770	SMART	1401, 1403
54503-22A00	0401288	HYUNDAI	539-540, 543-544, 546, 552-553, 557, 560-561, 566, 569	545051097R	0795770	RENAULT	1273
				545051097R	0795770	SMART	1401, 1403
54503-22A00	0401288	KIA	621, 627, 644	545051645R	0398680	RENAULT	1194
54503-25A00	0401288	HYUNDAI	539-540, 543-544, 546, 552-553, 557, 560-561, 566, 569	545052737R	0794173	RENAULT	1181, 1217,
							1256
54503-25A00	0401288	KIA	621, 627, 644	545053721R	0388680	RENAULT	1194
54503-28010	0783374	HYUNDAI	559	545053721R	0398680	RENAULT	1194
54503-2S485	0790437	NISSAN	967	545054231R	0398680	RENAULT	1194
54503-31600	0401288	HYUNDAI	539-540, 543-544, 546, 552-553, 557, 560-561, 566, 569	545054733R *	0408502	RENAULT	1220
				5450554733R	0398504	RENAULT	1220
54503-25A00	0401288	KIA	621, 627, 644	545055208R	0794173	RENAULT	1181, 1217,
54503-28010	0783374	HYUNDAI	559				1256
54503-2S485	0790437	NISSAN	967	545055708R	0794173	RENAULT	1181, 1217,
54503-31600	0401288	HYUNDAI	539-540, 543-544, 546, 552-553, 557, 560-561, 566, 569				1256
				54505-5711R	0795583	RENAULT	1189
54503-31600	0401288	KIA	621, 627, 644	545055711R	0795583	RENAULT	1189
54503-34A00	0402482	HYUNDAI	567	545056711R	0398503	RENAULT	1221, 1258
54503-34A01	0402482	HYUNDAI	567	545056711R*	0408503	RENAULT	1194, 1221,
54503-38A00	0401288	HYUNDAI	539-540, 543-544, 546, 552-553, 557, 560-561, 566, 569				1258
				545057345R *	0405770	RENAULT	1273
54503-38A00	0401288	KIA	621, 627, 644	545057345R *	0405770	SMART	1401, 1403
54503-3BA00	0404465	HYUNDAI	564-565, 574	545057345R **	1216255	RENAULT	1273
54504-0131R	0784173	RENAULT	1181, 1217,	545057345R **	1216255	SMART	1401, 1403
				545057345R	0795770	RENAULT	1273
				545057345R	0795770	SMART	1401, 1403
				545057449R *	0408502	RENAULT	1220

RIF. ORIG. O.E. NUMBER	RIF. OCAP OCAP REF.	MARCA MAKE	PAG.	RIF. ORIG. O.E. NUMBER	RIF. OCAP OCAP REF.	MARCA MAKE	PAG.
545057449R	0798502	RENAULT	1220	54529-4A00D	0792688	NISSAN	969
545058628R *	0405770	RENAULT	1273	54530-01A00	0793584	NISSAN	990
545058628R *	0405770	SMART	1401, 1403	54530-02050	0404457	HYUNDAI	542
545058628R **	1216254	RENAULT	1273	54530-02500	0404457	HYUNDAI	542
545058628R **	1216254	SMART	1401, 1403	54530-04A00	0793584	NISSAN	990
54505-9335R	0794173	RENAULT	1256	54530-07000	0402793	HYUNDAI	550
545059335R	0794173	RENAULT	1256	54530-07000	0402793	KIA	627
545068 *	0400524	ALFA ROMEO	19	54530-0U000	0401288	HYUNDAI	539-540, 543- 544, 546, 552- 553, 557, 560- 561, 566, 569
54510-3E000	0792474	KIA	637	54530-0U000	0401288	KIA	621, 627, 644
54510-3E001	0792474	KIA	637	54530-14200	0403370	HYUNDAI	562
54510-3E002	0792474	KIA	637	54530-21000	0493358	HYUNDAI	562
54510-3E003	0792474	KIA	637	54530-21100	0493358	HYUNDAI	562
54510-43150	0793499	HYUNDAI	549	54530-21A00	0493358	HYUNDAI	562
54510-43151	0793499	HYUNDAI	549	54530-24000	0403374	HYUNDAI	563
54510-43152	0793499	HYUNDAI	549	54530-24A00	0403374	HYUNDAI	563
54510-4B001	0793507	HYUNDAI	549	54530-25000	0401288	HYUNDAI	539-540, 543- 544, 546, 552- 553, 557, 560- 561, 566, 569
54520-11011	0403370	HYUNDAI	562	54530-25000	0401288	KIA	621, 627, 644
54520-14200	0403370	HYUNDAI	562	54530-25A00	0401288	HYUNDAI	539-540, 543- 544, 546, 552- 553, 557, 560- 561, 566, 569
54520-3E000	0782474	KIA	637	54530-25A00	0401288	HYUNDAI	539-540, 543- 544, 546, 552- 553, 557, 560- 561, 566, 569
54520-3E001	0782474	KIA	637	54530-25A00	0401288	KIA	621, 627, 644
54520-3E002	0782474	KIA	637	54530-28000	0403374	HYUNDAI	559, 563
54520-3E003	0782474	KIA	637	54530-28A00	0403374	HYUNDAI	559, 563
54524-2F000	0781818	NISSAN	973, 976	54530-2B000	0404465	HYUNDAI	564-565, 574
54524-2F010	0781818	NISSAN	973, 976	54530-2B000	0404465	KIA	639
54524-2J001	0781818	NISSAN	973, 976	54530-2K000	0408094	HYUNDAI	551
54524-2S400	0784626	NISSAN	968	54530-2K000	0408094	KIA	628, 634, 640
54524-2S485	0784626	NISSAN	968	54530-2P100	0405738	HYUNDAI	555
54524-2S486	0784626	NISSAN	968	54530-2T010	0405738	HYUNDAI	555
54524-50J00	0781818	NISSAN	973, 976	54530-2T010	0405738	KIA	620
54524-86J01	0781818	NISSAN	973, 976	54530-3B000	0404465	HYUNDAI	564-565, 574
54524-86J10	0781818	NISSAN	973, 976	54530-3J000	0405195	HYUNDAI	548
54524-9X502	0788520	NISSAN	936	54530-3S000	0408092	HYUNDAI	558
54524-AV600	0384629	NISSAN	977	54530-3S000	0408092	KIA	643
54524-AV601	0384629	NISSAN	977	54530-3S100	0405738	HYUNDAI	555
54524-EA000	0785566	NISSAN	958	54530-3S100	0405738	KIA	620
54524-EB300	0785568	NISSAN	958	54530-4A000	0402809	HYUNDAI	547
54524-EB30A *	0404620	NISSAN	958	54530-4A00D *	0402688	NISSAN	969
54524-EB30A	0785568	NISSAN	958	54530-4A00D	0782688	NISSAN	969
54524-EB70A	0785566	NISSAN	958	54530-4AA00	0402809	HYUNDAI	547
54524-EB70D	0785566	NISSAN	958	54530-4D000	0404567	KIA	618
54524-VW100	0384644	NISSAN	1000	54540-21000	0483358	HYUNDAI	562
54524-VX100	0384644	NISSAN	1000	54540-21100	0483358	HYUNDAI	562
54525-2F000	0791818	NISSAN	973, 976	54540-21A00	0483358	HYUNDAI	562
54525-2F010	0791818	NISSAN	973, 976	54540-43150	0783499	HYUNDAI	549
54525-2J001	0791818	NISSAN	973, 976	54540-43151	0783499	HYUNDAI	549
54525-2S400	0794626	NISSAN	968	54540-43152	0783499	HYUNDAI	549
54525-2S485	0794626	NISSAN	968	54540-4B001	0783507	HYUNDAI	549
54525-2S486	0794626	NISSAN	968	545501225R	0782453	DACIA	317
54525-50J00	0791818	NISSAN	973, 976	54550-H1000	0402816	HYUNDAI	573
54525-86J01	0791818	NISSAN	973, 976	54550-H1010	0402816	HYUNDAI	573
54525-86J10	0791818	NISSAN	973, 976	54551-1J000	1216177	HYUNDAI	551
54525-9X502	0798520	NISSAN	936	54551-1J000	1216177	KIA	634
54525-AV600	0394629	NISSAN	977	54551-3X000	1216197	HYUNDAI	555-556
54525-AV6001	0394629	NISSAN	977	54551-3X000	1216197	KIA	620
54525-EA000	0795566	NISSAN	958	54551-A0000	1216388	HYUNDAI	543
54525-EB300	0795568	NISSAN	958	54551-C1000	1216370	HYUNDAI	553
54525-EB30A *	0404620	NISSAN	958	545600004R	1215957	RENAULT	1195, 1219, 1257
54525-EB30A	0795568	NISSAN	958				
54525-EB70A	0795566	NISSAN	958				
54525-EB70D	0795566	NISSAN	958				
54525-VW100	0394644	NISSAN	1000				
54525-VX100	0394644	NISSAN	1000				
54529-01A00	0783584	NISSAN	990				
54529-04A00	0783584	NISSAN	990				
54529-4A00D *	0402688	NISSAN	969				

RIF. ORIG. O.E. NUMBER	RIF. OCAP OCAP REF.	MARCA MAKE	PAG.	RIF. ORIG. O.E. NUMBER	RIF. OCAP OCAP REF.	MARCA MAKE	PAG.
54560-00Q0A	1215313	NISSAN	941, 970	54618-0E000 *	0504400-K	NISSAN	946
54560-00Q0A	1215313	RENAULT	1186-1187, 1200, 1263, 1272	54618-0E000	0504400	NISSAN	946
54560-00QAB	1215313	NISSAN	941, 970	54618-0F000	0504401	NISSAN	936, 994
54560-00QAB	1215313	RENAULT	1186-1187, 1200, 1263, 1272	54618-0W000	0502577	NISSAN	957
545605275R	1216326	RENAULT	1194, 1220- 1221, 1258	54618-0W001	0502577	NISSAN	957
545608475R	1216327	RENAULT	1220	546181179R	0505770	RENAULT	1273
545609807R	1216328	RENAULT	1194, 1220- 1221, 1258	546181179R	0505770	SMART	1401, 1403
54570-3E000	0402472	KIA	637	54618-1AA0A	0583125	NISSAN	952, 981, 1006
54570-3E001	0402472	KIA	637	54618-1AA0A	0583125	RENAULT	1202
54570-3E100	0402472	KIA	637	54618-1AA0E	0583125	NISSAN	952, 981, 1006
54570-BB00A	1215978	NISSAN	940, 981, 1006	54618-1AA0E	0583125	RENAULT	1202
54570-BB00A	1215978	RENAULT	1202	54618-1C100	0581599	NISSAN	985
54584-1J000	1216178	HYUNDAI	551, 556	54618-1C101	0581599	NISSAN	985
54584-1J000	1216178	KIA	628, 634	54618-1FE0A	0504380	NISSAN	938, 949-950, 953, 995
54584-4L000	1216178	HYUNDAI	551, 556	546182227R *	0508682	RENAULT	1194, 1221, 1258
54584-4L000	1216178	KIA	628, 634	546182227R	0508505	RENAULT	1194, 1221, 1258
54584-A0000	1216389	HYUNDAI	543	54618-2F010	0504387-K	NISSAN	974, 976
54584-A6000	1216198	HYUNDAI	555	54618-3W400	0502577	NISSAN	957
54584-A6000	1216198	KIA	620	54618-47B00	0509236	NISSAN	948
54584-C8000	1216371	HYUNDAI	553	54618-47B01	0509236	NISSAN	948
54613-1AA0A	1214290	NISSAN	952	54618-47B0A	0509236	NISSAN	948
54613-1AA0B	1214290	NISSAN	952	54618-4M400 *	0504396-K	NISSAN	925
54613-JN20A	1214290	NISSAN	952	54618-4M400	0504396	NISSAN	925
54613-JN20E	1214290	NISSAN	952	54618-4U000	0582824	NISSAN	926
54616-00Q0A	0503878	NISSAN	954, 972	54618-4U000	0592824	NISSAN	926
54616-00Q0A	0503878	OPEL	1066-1067	54618-50J11	0504387-K	NISSAN	974, 976
54616-00Q0A	0503878	RENAULT	1193, 1204, 1268-1269	54618-50J20	0504387-K	NISSAN	974, 976
54616-00Q0A	0503878	VAUXHALL	1570	54618-50Y00	0504395-K	NISSAN	922, 924, 933, 945, 971, 974- 975, 992
54616-00Q0E	0501536	NISSAN	955	54618-58820	0504395-K	NISSAN	922, 924, 933, 945, 971, 974- 975, 992
54616-00Q0E	1216017	OPEL	1051	54618-58Y10	0504387-K	NISSAN	974, 976
54616-00Q0E	1216017	RENAULT	1211	54618-58Y60	0504387-K	NISSAN	974, 976
54616-00QAC	0503878	NISSAN	954, 972	546187005R *	0508682	RENAULT	1194, 1221, 1258
54616-00QAC	0503878	OPEL	1066-1067	546187005R	0508505	RENAULT	1194, 1221, 1258
54616-00QAC	0503878	RENAULT	1193, 1204, 1268-1269	54618-86J00	0504387-K	NISSAN	974, 976
54616-00QAC	0503878	VAUXHALL	1570	54618-86J25	0504387-K	NISSAN	974, 976
54616-4A00B	0502688	NISSAN	969	54618-8H300	0584513	NISSAN	1005
54617-VW000	0584643	NISSAN	1000	54618-90J11	0504387-K	NISSAN	974, 976
546180001R	0502453	DACIA	317	546189501R	0502453	DACIA	317
546180001R	0502453	RENAULT	1206-1207	546189501R	0502453	RENAULT	1206-1207
546180002R *	0508538	RENAULT	1195, 1219, 1257	54618-9C000	0591599	NISSAN	985
546180002R	0503218	RENAULT	1195, 1219, 1257	54618-9C002	0581599	NISSAN	985
546180004R	0501536	RENAULT	1212	54618-9U00A	0504380	NISSAN	938, 949-950, 953, 995
546180009R *	0508538	RENAULT	1195, 1219, 1257	54618-9X50A	0508519	NISSAN	935
546180009R	0503218	RENAULT	1195, 1219, 1257	54618-AU000	0584391	NISSAN	977
54618-00QAA	0583812	NISSAN	939	54618-AX600	0504380	NISSAN	938, 949-950, 953, 995
54618-00QAA	0583812	OPEL	1050	54618-BA60A	0508071	NISSAN	940, 983
54618-00QAA	0583812	RENAULT	1210	54618-BA60A	0508071	RENAULT	1196
54618-00QAA	0583812	VAUXHALL	1561	54618-CA000	0586500	NISSAN	951
54618-00QAB	0593812	NISSAN	939	54618-CA00E	0586500	NISSAN	951
54618-00QAB	0593812	OPEL	1050	54618-CA010	0588062	NISSAN	951
54618-00QAB	0593812	RENAULT	1210	54618-CY00A	0508071	NISSAN	940, 983
54618-00QAB	0593812	VAUXHALL	1561	54618-CY00A	0508071	RENAULT	1196
54618-01G00	0504623	NISSAN	964, 968	54618-D5010	0504395-K	NISSAN	922, 924, 933, 945, 971, 974- 975, 992
54618-02E00	0504624	NISSAN	966, 968				

RIF. ORIG. O.E. NUMBER	RIF. OCAP OCAP REF.	MARCA MAKE	PAG.	RIF. ORIG. O.E. NUMBER	RIF. OCAP OCAP REF.	MARCA MAKE	PAG.
54618-EA010	0584618	NISSAN	959	54830-25000	0504456	HYUNDAI	540
54618-EN000	0508071	NISSAN	940, 983	54830-25010	0594455	HYUNDAI	540, 561
54618-EN000	0508071	RENAULT	1196	54830-25020	0584455	HYUNDAI	540, 561
54618-ET00A	0508071	NISSAN	940, 983	54830-26000	0594466	HYUNDAI	564
54618-ET00A	0508071	RENAULT	1196	54830-26010	0594466	HYUNDAI	564
54618-F3900	0508519	NISSAN	935	54830-28000	0504079	HYUNDAI	559
54618-F3901	0508519	NISSAN	935	54830-29000	0501574	HYUNDAI	560
54618-JD00A	0583125	NISSAN	952, 981, 1006	54830-29500	0501574	HYUNDAI	560
54618-JD00A	0583125	RENAULT	1202	54830-2B000	0594084	HYUNDAI	565
54618-JX00A	0504380	NISSAN	938, 949-950, 953, 995	54830-2B000	0594084	KIA	639
54618-MB40A	0504401	NISSAN	936, 994	54830-2C000	0591567	HYUNDAI	544
54618-VB000	0504147	NISSAN	962	54830-2E000	0502499	HYUNDAI	575
54618-VC300	0504148	NISSAN	962	54830-2E100	0502499	HYUNDAI	575
5462707	0590618	CITROEN	282	54830-2F000	0592553	KIA	621
5462708	0580618	CITROEN	282	54830-2G000	0504110	KIA	616, 626
54667-VW000	0594643	NISSAN	1000	54830-2H000	0504072	HYUNDAI	554
54668-1AA0A	0593125	NISSAN	952, 981, 1006	54830-2H000	0504072	KIA	619
54668-1AA0A	0593125	RENAULT	1202	54830-2H100	0504072	HYUNDAI	554
54668-1AA0E	0593125	NISSAN	952, 981, 1006	54830-2K000	0598094	KIA	640
54668-1AA0E	0593125	RENAULT	1202	54830-2S000	0508092	HYUNDAI	558
54668-1C100	0591599	NISSAN	985	54830-2S000	0508092	KIA	643
54668-1C101	0591599	NISSAN	985	54830-2S200	0508092	HYUNDAI	558
54668-8H300	0594513	NISSAN	1005	54830-2S200	0508092	KIA	643
54668-9C000	0591599	NISSAN	985	54830-2Y500	0504071	HYUNDAI	543, 553, 555
54668-AU000	0594391	NISSAN	977	54830-2Y500	0504071	KIA	620, 634
54668-CA000	0596500	NISSAN	951	54830-34000	0501576	HYUNDAI	544, 567
54668-CA00E	0596500	NISSAN	951	54830-34500	0501576	HYUNDAI	544, 567
54668-CA010	0598062	NISSAN	951	54830-34500	0501576	HYUNDAI	544, 567
54668-EA010	0594618	NISSAN	959	54830-36000	0504086	HYUNDAI	566
54668-JD00A	0593125	NISSAN	952, 981, 1006	54830-36010	0501576	HYUNDAI	544, 567
54668-JD00A	0593125	RENAULT	1202	54830-36100	0504086	HYUNDAI	566
547888 *	0400523	ALFA ROMEO	19	54830-36101	0504086	HYUNDAI	566
547889 *	0400523	ALFA ROMEO	19	54830-37010	0504079	HYUNDAI	559
54810-3E000	0502475	KIA	637	54830-37020	0504079	HYUNDAI	559
54811-3E010	0592474	KIA	637	54830-38100	0502488	HYUNDAI	568, 570
54811-3E060	0582474	KIA	637	54830-38100	0502488	KIA	624
54813-1W100	1214287	KIA	634	54830-38110	0502488	HYUNDAI	568, 570
54813-1Y000	1214288	KIA	629	54830-38110	0502488	KIA	624
54820-02000	0504459	HYUNDAI	542	54830-3A000	0591581	HYUNDAI	574
54820-FD000	0593260	KIA	632	54830-3K000	0504094	HYUNDAI	572
54822-H1000	0592817	HYUNDAI	573	54830-3K010	0504094	HYUNDAI	572
54823-H1000	0582817	HYUNDAI	573	54830-3L000	0504094	HYUNDAI	572
54825-22000	0502778	HYUNDAI	539	54830-3Z000	0505496	HYUNDAI	556
54830-07000	0592794	HYUNDAI	550-551	54830-4A000	0502811	HYUNDAI	547
54830-07000	0592794	KIA	627	54830-4A003	0502811	HYUNDAI	547
54830-0U000	0504071	HYUNDAI	543, 553, 555	54830-4A800	0502811	HYUNDAI	547
54830-0U000	0504071	KIA	620, 634	54830-4A802	0502811	HYUNDAI	547
54830-0X000	0592794	HYUNDAI	550-551	54830-4D000	0594568	KIA	618
54830-0X000	0592794	KIA	627	54830-4H000	0595196	HYUNDAI	548
54830-0X500	0592794	HYUNDAI	550-551	54830-4H200	0595196	HYUNDAI	548
54830-0X500	0592794	KIA	627	54830-4L000	0504071	HYUNDAI	543, 553, 555
54830-0X501	0592794	HYUNDAI	550-551	54830-4L000	0504071	KIA	620, 634
54830-0X501	0592794	KIA	627	54830-4V000	0504071	HYUNDAI	543, 553, 555
54830-17010	0594455	HYUNDAI	540, 561	54830-4V000	0504071	KIA	620, 634
54830-17020	0584455	HYUNDAI	540, 561	54830-B4000	0592794	HYUNDAI	550-551
54830-1C000	0594462	HYUNDAI	546	54830-B4000	0592794	KIA	627
54830-1F000	0502499	HYUNDAI	575	54830-D3000	0504071	HYUNDAI	543, 553, 555
54830-1F-000	0502499	KIA	642	54830-D3000	0504071	KIA	620, 634
54830-1F000	0502499	KIA	642	54830-D9000	0504071	HYUNDAI	543, 553, 555
54830-1G000	0592772	HYUNDAI	541	54830-D9000	0504071	KIA	620, 634
54830-1G000	0592772	KIA	633	54830-FD000	0583260	KIA	632
54830-1J000	0594078	HYUNDAI	552, 557	54830-H8000	0504071	HYUNDAI	543, 553, 555
54830-1J000	0594078	KIA	629, 644	54830-H8000	0504071	KIA	620, 634
54830-25000 *	0504456-K	HYUNDAI	540	54840-07000	0582794	HYUNDAI	550-551
				54840-07000	0582794	KIA	627
				54840-0X000	0582794	HYUNDAI	550-551

RIF. ORIG. O.E. NUMBER	RIF. OCAP OCAP REF.	MARCA MAKE	PAG.	RIF. ORIG. O.E. NUMBER	RIF. OCAP OCAP REF.	MARCA MAKE	PAG.
54840-0X000	0582794	KIA	627	55121-JD00B *	1216287	RENAULT	1197
54840-0X500	0582794	HYUNDAI	550-551	55121-JD00B	0395788	NISSAN	982, 984, 1007
54840-0X500	0582794	KIA	627	55121-JD00B	0395788	RENAULT	1197
54840-0X501	0582794	HYUNDAI	550-551	5-51227-033-0	0403372	ISUZU	584
54840-0X501	0582794	KIA	627	55130-34A00	0402483	HYUNDAI	566-567
54840-1C000	0584462	HYUNDAI	546	55130-37000	0402483	HYUNDAI	566-567
54840-1E000	0582772	HYUNDAI	541	55160-1J200	1216196	KIA	629
54840-1E000	0582772	KIA	633	55201-34000	0705161	HYUNDAI	567
54840-1G000	0582772	HYUNDAI	541	55201-37010	0705161	HYUNDAI	567
54840-1G000	0582772	KIA	633	55201-37110	0705161	HYUNDAI	567
54840-1J000	0584078	HYUNDAI	552, 557	55210-38000	0704096	HYUNDAI	569
54840-1J000	0584078	KIA	629, 644	55250-1H000	0304073	HYUNDAI	554
54840-26000	0584466	HYUNDAI	564	55250-1H000	0304073	KIA	619
54840-26010	0584466	HYUNDAI	564	55250-2H000	0304073	HYUNDAI	554
54840-2B000	0584084	HYUNDAI	565	55250-2H000	0304073	KIA	619
54840-2B000	0584084	KIA	639	55250-2S000	0304073	HYUNDAI	554
54840-2C000	0581567	HYUNDAI	544	55250-2S000	0304073	KIA	619
54840-2F000	0582553	KIA	621	55250-34000	0705160	HYUNDAI	567
54840-2K000	0588094	KIA	640	55250-34010	0705160	HYUNDAI	567
54840-3A000	0581581	HYUNDAI	574	55250-37000	0705160	HYUNDAI	567
54840-4D000	0584568	KIA	618	55250-37010	0705160	HYUNDAI	567
54840-4H000	0585196	HYUNDAI	548	55250-3Z000	0505160	HYUNDAI	556
54840-4H200	0585196	HYUNDAI	548	55501-CA000	0388062	NISSAN	951
54840-B4000	0582794	HYUNDAI	550-551	55501-CA00A	0388062	NISSAN	951
54840-B4000	0582794	KIA	627	55502-CA000	0398062	NISSAN	951
54850-36010	0501576	HYUNDAI	544, 567	55502-CA00A	0398062	NISSAN	951
5503495	1211166	CITROEN	299	55530-17000	0504080	HYUNDAI	561
551100010R	0595740	RENAULT	1207	55530-17000	0504080	KIA	621
551100011R	0585740	RENAULT	1207	55530-1D000	0504111	KIA	616, 626
551100019R	0501496	RENAULT	1212	55530-1F-000	0502525	HYUNDAI	575
551100020R	0508881	NISSAN	956	55530-1F000	0502525	HYUNDAI	575
551100020R	0508881	OPEL	1052	55530-1F-000	0502525	KIA	642
551100020R	0508881	RENAULT	1212	55530-1F000	0502525	KIA	642
551103022R	0502453	DACIA	317	55530-1H000	0504074	HYUNDAI	554
55110-38000	0794097	HYUNDAI	569	55530-1H000	0504074	KIA	619
55110-38600	0794097	HYUNDAI	569	55530-1H100	0504074	HYUNDAI	554
55110-38601	0794097	HYUNDAI	569	55530-1H100	0504074	KIA	619
55110-7916R	0504410	RENAULT	1181, 1188-1189	55530-26600	0592764	HYUNDAI	564
551107916R	0504410	RENAULT	1181, 1188-1189	55530-26700	0592764	HYUNDAI	564
55110-JD000 *	1216288	NISSAN	982, 984, 1007	55530-29000	0501575	HYUNDAI	542, 544, 560
55110-JD000 *	1216288	RENAULT	1197	55530-29500	0501575	HYUNDAI	542, 544, 560
55110-JD000	0785791	NISSAN	982, 984, 1007	55530-2B000	0504085	HYUNDAI	565
55110-JD000	0785791	RENAULT	1197	55530-2B000	0504085	KIA	639
55110-JG00B	0785791	NISSAN	982, 984, 1007	55530-2B200	0504085	HYUNDAI	565
55110-JG00B	0785791	RENAULT	1197	55530-2B200	0504085	KIA	639
55111-JD00A *	1216288	NISSAN	982, 984, 1007	55530-2E-000	0502525	HYUNDAI	575
55111-JD00A *	1216288	RENAULT	1197	55530-2E000	0502525	HYUNDAI	575
55111-JD00A	0795791	NISSAN	982, 984, 1007	55530-2E-000	0502525	KIA	642
55111-JD00A	0795791	RENAULT	1197	55530-2E000	0502525	KIA	642
55111-JG00B	0795791	NISSAN	982, 984, 1007	55530-2E100	0502525	HYUNDAI	575
55111-JG00B	0795791	RENAULT	1197	55530-2E100	0502525	KIA	642
55120-38000	0784097	HYUNDAI	569	55530-2S100	0508093	HYUNDAI	558
55120-38600	0784097	HYUNDAI	569	55530-2S100	0508093	KIA	643
55120-38601	0784097	HYUNDAI	569	55530-38000	0501578	HYUNDAI	569
55120-JD000	0385788	NISSAN	982, 984, 1007	55530-38010	0501578	HYUNDAI	569
55120-JD000	0385788	RENAULT	1197	55530-38600	0502487	HYUNDAI	569-570
55120-JD00B *	1216287	NISSAN	982, 984, 1007	55530-38600	0502487	KIA	625
55120-JD00B *	1216287	RENAULT	1197	55530-3K000	0504095	HYUNDAI	572
55120-JD00B	0385788	NISSAN	982, 984, 1007	55530-3K001	0504095	HYUNDAI	572
55120-JD00B	0385788	RENAULT	1197	55530-3R000	0505738	HYUNDAI	555
55121-JD000	0395788	NISSAN	982, 984, 1007	55530-3R000	0505738	KIA	620
55121-JD000	0395788	RENAULT	1197	55530-3Z000	0585496	HYUNDAI	556
55121-JD00B *	1216287	NISSAN	982, 984, 1007	55530-4A000	0502812	HYUNDAI	547
				55530-4A001	0502812	HYUNDAI	547
				55530-4A800	0502812	HYUNDAI	547

RIF. ORIG. O.E. NUMBER	RIF. OCAP OCAP REF.	MARCA MAKE	PAG.	RIF. ORIG. O.E. NUMBER	RIF. OCAP OCAP REF.	MARCA MAKE	PAG.
55530-4A801	0502812	HYUNDAI	547	56113-50Y0A *	0504396-K	NISSAN	925
55530-4D000	0504569	KIA	618	56113-60U0A *	0504400-K	NISSAN	946
55530-4H000	0595197	HYUNDAI	548	561407151A *	0795768	VOLKSWAGEN	1573
55540-26600	0582764	HYUNDAI	564	561407151A *	0795767	VOLKSWAGEN	1573
55540-26700	0582764	HYUNDAI	564	561407151C *	0795768	VOLKSWAGEN	1573
55540-3R000	0505738	HYUNDAI	555	561407151C	0795767	VOLKSWAGEN	1573
55540-3R000	0505738	KIA	620	561407152A *	0785768	VOLKSWAGEN	1573
55540-3Z000	0585496	HYUNDAI	556	561407152A	0785767	VOLKSWAGEN	1573
55540-4H000	0585197	HYUNDAI	548	561407152C *	0785768	VOLKSWAGEN	1573
55580-37020	0501577	HYUNDAI	566-567	561407152C	0785767	VOLKSWAGEN	1573
55580-37020	0501577	MITSUBISHI	883, 913	561423810	0602116	SEAT	1318
55580-37030	0501577	HYUNDAI	566-567	561423810	0602116	SKODA	1369, 1371, 1394
55580-37030	0501577	MITSUBISHI	883, 913	561423810	0602116	VOLKSWAGEN	1573, 1683, 1696
55580-3E000	0592774	KIA	638	56243-1AA0A	1214291	NISSAN	952
55580-3E050	0582774	KIA	638	56243-1AT0A	1214291	NISSAN	952
555C35270R	0705770	RENAULT	1273	56260-01J10	0504145	NISSAN	961-962
555C35270R	0705770	SMART	1401, 1403	56260-0F001	0504402	NISSAN	994
55618-JD00A	0584633	NISSAN	982, 984, 1007	56260-0W001	0502578	NISSAN	957
55618-JD00A	0584633	RENAULT	1197, 1202	56260-41G11	0502578	NISSAN	957
55618-JY00B	0584633	NISSAN	982, 984, 1007	56260-41G11	0502578	NISSAN	957
55618-JY00B	0584633	RENAULT	1197, 1202	56260-VB010	0504551	NISSAN	962
55619-JD00A	0594633	NISSAN	982, 984, 1007	56260-VB010	0504551	NISSAN	962
55619-JD00A	0594633	RENAULT	1197, 1202	56260-VC300	0504552	NISSAN	962
55619-JY00B	0594633	NISSAN	982, 984, 1007	56260-VC310	0504553	NISSAN	962
55619-JY00B	0594633	RENAULT	1197, 1202	56261-00Q0B	0501496	NISSAN	956
55700695	1216184	FIAT	383	56261-00Q0B	0508881	NISSAN	956
55700751 *	1215880	ALFA ROMEO	28	56261-00Q0B	0508881	OPEL	1052
55700751 *	1215880	CITROEN	295	56261-00Q0B	0508881	RENAULT	1212
55700751 *	1215880	FIAT	365, 368, 383	56261-0E000	0504631	NISSAN	977
55700751 *	1215880	PEUGEOT	1071	56261-0F600	0503541	NISSAN	948
55700751	1215970	ALFA ROMEO	28	56261-1AA0A	0585739	NISSAN	952
55700751	1215970	CITROEN	295	56261-1AA0B	0595739	NISSAN	952
55700751	1215970	FIAT	356, 365, 368, 383	56261-47B01	0503541	NISSAN	948
55700751	1215970	PEUGEOT	1071	56261-47B01	0503541	NISSAN	948
55700753	0501681	ALFA ROMEO	28	56261-4F701	0503541	NISSAN	948
55700753	0501681	FIAT	383	56261-4F702	0503541	NISSAN	948
55700753	0501681	OPEL	1033	56261-4F705	0503541	NISSAN	948
55700753	0501681	OPEL	1033	56261-4F710	0503541	NISSAN	948
55700753	0501681	VOLVO	1729, 1745	56261-4F725	0503541	NISSAN	948
55702314 *	0602583	ALFA ROMEO	28	56261-4F725	0503541	NISSAN	948
55702314 *	0602583	FIAT	383	56261-6F600	0503541	NISSAN	948
55702314 *	0602583	OPEL	1008, 1033	56261-86J00	0503551	NISSAN	974
55703230	0792587	OPEL	1008, 1033	56261-86J25	0503551	NISSAN	974
55703231	0782587	OPEL	1008, 1033	56261-86J01	0503551	NISSAN	974
55703232	1215560	ALFA ROMEO	28	56261-90J11	0504388	NISSAN	976
55703232	1215560	CITROEN	295	56261-AV610	0504632	NISSAN	977
55703232	1215560	FIAT	356, 365, 368, 383, 392, 416	56261-EA500	0584619	NISSAN	959
55703232	1215560	OPEL	1008, 1033	56261-EA510	0594619	NISSAN	959
55703232	1215560	PEUGEOT	1071	56261-EQ000	0502834	NISSAN	1005
55703627	0782357	ALFA ROMEO	28	56540-02000	0601565	HYUNDAI	542
55703627	0782357	CITROEN	295	56540-0U500	0605494	KIA	634
55703627	0782357	FIAT	365, 368, 383	56540-1G000	0602769	KIA	633
55703627	0782357	PEUGEOT	1071	56540-21001	0603363	HYUNDAI	562
55703629	0792357	ALFA ROMEO	28	56540-21010	0603363	HYUNDAI	562
55703629	0792357	CITROEN	295	56540-22000	0601564	HYUNDAI	540
55703629	0792357	FIAT	368, 383	56540-22000	0602120	HYUNDAI	549
55703629	0792357	PEUGEOT	1071	56540-22000	0603365	HYUNDAI	539, 563
557801103	0280293	FIAT	375	56540-24000	0601564	HYUNDAI	540
557801103	0280293	INNOCENTI	577	56540-24000	0603365	HYUNDAI	539, 563
557801103	0280293	SEAT	1350	56540-24001	0603365	HYUNDAI	539, 563
55830-25000 *	0504456-K	HYUNDAI	540	56540-25000	0601564	HYUNDAI	540
55830-25000	0504456	HYUNDAI	540	56540-25000	0602120	HYUNDAI	549
56112-BM400 *	0504396-K	NISSAN	925	56540-2H000	0604070	HYUNDAI	554
56112-V0100 *	0504400-K	NISSAN	946	56540-2H000	0604070	KIA	619
				56540-2K000	0608093	HYUNDAI	557
				56540-2K000	0608093	KIA	640, 644

RIF. ORIG. O.E. NUMBER	RIF. OCAP OCAP REF.	MARCA MAKE	PAG.	RIF. ORIG. O.E. NUMBER	RIF. OCAP OCAP REF.	MARCA MAKE	PAG.
56540-42001	0601564	HYUNDAI	540	56820-2B000	0294081	KIA	639
56540-42001	0602120	HYUNDAI	549	56820-2B900	0284081	HYUNDAI	565
56540-43000	0601564	HYUNDAI	540	56820-2B900	0284081	KIA	639
56540-43000	0602120	HYUNDAI	549	56820-2E000	0292496	HYUNDAI	575
56540-43010	0601564	HYUNDAI	540	56820-2E-000	0292496	KIA	642
56540-43010	0602120	HYUNDAI	549	56820-2E000	0292496	KIA	642
56540-A0000	0608876	HYUNDAI	543	56820-2E900	0282496	HYUNDAI	575
56540-A6000	0605738	HYUNDAI	555	56820-2E-900	0282496	KIA	642
56540-A6000	0605738	KIA	620	56820-2E900	0282496	KIA	642
56540-B4000	0608830	HYUNDAI	551	56820-2F000	0284461	HYUNDAI	546, 564, 574
56540-C8000	0608851	HYUNDAI	553	56820-2G000	0294107	KIA	616, 626
56542-43010	0601564	HYUNDAI	540	56820-2G900	0284107	KIA	616, 626
56542-43010	0602120	HYUNDAI	549	56820-2H000	0294069	HYUNDAI	554
56561-50J00	0503551	NISSAN	974	56820-2H000	0294069	KIA	619
56810-11000	0193368	HYUNDAI	562	56820-2H090	0284069	HYUNDAI	554
56810-11060	0193368	HYUNDAI	562	56820-2H090	0284069	KIA	619
56820-02500	0284519	HYUNDAI	542	56820-2K000	0294075	HYUNDAI	552, 557
56820-07000	0281584	KIA	627, 632	56820-2K000	0294075	KIA	640, 644
568200U500	0295494	KIA	634	56820-2K050	0284075	HYUNDAI	552, 557
568200U590	0285494	KIA	634	56820-2K050	0284075	KIA	640, 644
56820-0X000	0283956	HYUNDAI	550	56820-2S000	0298092	HYUNDAI	556, 558
56820-0X010	0283956	HYUNDAI	550	56820-2S000	0298092	KIA	643
56820-0X900	0283956	HYUNDAI	550	56820-2S050	0288092	HYUNDAI	556, 558
56820-11000	0183369	HYUNDAI	562	56820-2S050	0288092	KIA	643
56820-11060	0183369	HYUNDAI	562	56820-2T000	0298092	HYUNDAI	556, 558
56820-1E000	0292769	HYUNDAI	541	56820-2T000	0298092	KIA	643
56820-1E000	0292769	KIA	633	56820-2T100	0288092	HYUNDAI	556, 558
56820-1E900	0282769	HYUNDAI	541	56820-2T100	0288092	KIA	643
56820-1E900	0282769	KIA	633	56820-2T190	0298092	HYUNDAI	556, 558
56820-1G000	0282769	HYUNDAI	541	56820-2T190	0298092	KIA	643
56820-1G000	0282769	KIA	633	56820-2T500	0288092	HYUNDAI	556, 558
56820-1G900	0292769	HYUNDAI	541	56820-2T500	0288092	KIA	643
56820-1G900	0292769	KIA	633	56820-36000	0283433	HYUNDAI	566
56820-1R501	0295494	KIA	634	56820-36000	0283433	MITSUBISHI	881-883, 897, 912-915, 918- 920
56820-1W000	0295494	KIA	634				
56820-1W090	0285494	KIA	634	56820-38000	0292485	HYUNDAI	568, 570
56820-1Y000	0295728	KIA	628	56820-38000	0292485	KIA	624
56820-1Y050	0285728	KIA	628	56820-38900	0282485	HYUNDAI	568, 570
56820-1Y501	0295729	KIA	628	56820-38900	0282485	KIA	624
56820-1Y551	0285729	KIA	628	56820-3B000	0284461	HYUNDAI	546, 564, 574
56820-21000	0283361	HYUNDAI	562-563	56820-3E000	0292470	KIA	637
56820-21000	0283361	MITSUBISHI	886, 897	56820-3E900	0282470	KIA	637
56820-21100	0283361	HYUNDAI	562-563	56820-3K000	0294089	HYUNDAI	571
56820-21100	0283361	MITSUBISHI	886, 897	56820-3K010	0284089	HYUNDAI	571
56820-21110	0283361	HYUNDAI	562-563	56820-3Q000	0298092	HYUNDAI	556, 558
56820-21110	0283361	MITSUBISHI	886, 897	56820-3Q000	0298092	KIA	643
56820-21120	0283361	HYUNDAI	562-563	56820-3Q500	0288092	HYUNDAI	556, 558
56820-21120	0283361	MITSUBISHI	886, 897	56820-3Q500	0288092	KIA	643
56820-22000	0281290	HYUNDAI	539, 559-560, 567	56820-47500	0284469	HYUNDAI	547, 549
56820-22000	0281290	KIA	621	56820-47500	0284469	MITSUBISHI	899-900
56820-25000	0284452	HYUNDAI	540, 544, 561	56820-4A000	0284469	HYUNDAI	547, 549
56820-25000	0284461	HYUNDAI	546, 564, 574	56820-4A000	0284469	MITSUBISHI	899-900
56820-28000	0283440	HYUNDAI	559	56820-4D000	0294099	KIA	618
56820-28000	0283440	MITSUBISHI	869, 871, 873- 876, 887, 916	56820-4D100	0284099	KIA	618
56820-28000	0283440	VOLVO	1718	56820-4H000	0295193	HYUNDAI	548
56820-28500	0281290	HYUNDAI	539, 559-560, 567	56820-4H100	0285193	HYUNDAI	548
56820-28500	0281290	KIA	621	56820-A0000	0298876	HYUNDAI	543
56820-28520	0281290	HYUNDAI	539, 559-560, 567	56820-A6000	0295738	HYUNDAI	555
56820-28520	0281290	KIA	621	56820-A6000	0295738	KIA	620
56820-29500	0284461	HYUNDAI	546, 564, 574	56820-A6090	0285738	HYUNDAI	555
56820-2B000	0294081	HYUNDAI	565	56820-A6090	0285738	KIA	620
				56820-B4000	0298830	HYUNDAI	551
				56820-C8000	0298851	HYUNDAI	553
				56820-C8900	0288851	HYUNDAI	553

RIF. ORIG. O.E. NUMBER	RIF. OCAP OCAP REF.	MARCA MAKE	PAG.	RIF. ORIG. O.E. NUMBER	RIF. OCAP OCAP REF.	MARCA MAKE	PAG.
56821-1R591	0285494	KIA	634	57755-17000	0601579	HYUNDAI	561, 567, 574
56821-B4050	0288830	HYUNDAI	551	57755-1C000	0601568	HYUNDAI	546
56825-A0000	0288876	HYUNDAI	543	57755-22000	0604518	HYUNDAI	539
56850-H1001	0502813	HYUNDAI	573	57755-25000	0604453	HYUNDAI	540, 549
56850-H1011	0502813	HYUNDAI	573	57775-25000	0604453	HYUNDAI	540, 549
56872-43000	0284469	HYUNDAI	547, 549	57780-3B000	0281580	HYUNDAI	574
56872-43000	0284469	MINISUBISHI	899-900	57780-3B000	0284461	HYUNDAI	546, 564, 574
56872-43010	0284469	HYUNDAI	547, 549	57785-26200	0604517	HYUNDAI	564
56872-43010	0284469	MINISUBISHI	899-900	5801378064	0407894	IVECO	590
575882	0400824	LAND ROVER	686-687	5801564274	0909422	IVECO	591
57705-56820B	0284469	HYUNDAI	547, 549	5801564276	0909422	IVECO	591
57705-56820B	0284469	MINISUBISHI	899-900	5801564281	0909422	IVECO	591
57716-34000	0601579	HYUNDAI	561, 567, 574	5801564293 *	0409422	IVECO	591
57724-07000	0602792	KIA	627	5801564293	0709422	IVECO	591
57724-07001	0602792	KIA	627	5801564316 *	0409423	IVECO	591
57724-07100	0604578	KIA	627	5801564316	0709423	IVECO	591
57724-0X000	0603958	HYUNDAI	550	5829067053	0502255	MERCEDES	853
57724-1D000	0604108	KIA	616, 626	5880794	0400006	FIAT	409, 411
57724-1D010	0604108	KIA	616, 626	5880795	0400005	FIAT	403, 409, 411
57724-1E000	0602770	HYUNDAI	541	5882282 *	0305762	FIAT	407
57724-1E000	0602770	KIA	633	5882282 *	0305762	ZASTAVA	1746
57724-1G000	0692771	KIA	633	5882282	0300002	FIAT	407
57724-1G100	0682771	KIA	633	5882282	0300002	ZASTAVA	1746
57724-1J000	0604076	HYUNDAI	552	589122	0405012	FERRARI	338
57724-1Y000	0605728	KIA	628	59116607	0785335	FIAT	368
57724-1Y501	0605729	KIA	628	59116608	0795335	FIAT	368
57724-2B000	0604082	HYUNDAI	565	5927293	1215030	FIAT	345, 401
57724-2D000	0601566	HYUNDAI	544	5938137	0280295	FIAT	385
57724-2D000	0601566	KIA	621	5939683	0790004	FIAT	401
57724-2E000	0602497	HYUNDAI	575	5939685	0780004	FIAT	401
57724-2E-000	0602497	KIA	642	5958244	0600411	FIAT	385, 395, 400, 410
57724-2E000	0602497	KIA	642				
57724-2G000	0604108	KIA	616, 626	5958244	0600411	LANCIA	652, 655
57724-2G010	0604108	KIA	616, 626	5958246	0280296	FIAT	400
57724-2P000	0684081	KIA	639	5958247	0280296	AUTOBIANCHI	127
57724-2P100	0694081	KIA	639	5958247	0280296	FIAT	400
57724-2S000	0608092	HYUNDAI	558	5958274	0600411	FIAT	385, 395, 400, 410
57724-2S000	0608092	KIA	643				
57724-38000	0602486	HYUNDAI	568	5960036	0280297	FIAT	345, 385
57724-38010	0602559	HYUNDAI	570	5960036	0280297	SEAT	1325
57724-38010	0602559	KIA	624	5960056	0280297	FIAT	345, 385
57724-3A000	0601579	HYUNDAI	561, 567, 574	5960056	0280297	SEAT	1325
57724-3K000	0604090	HYUNDAI	571	5960057	0280297	FIAT	345, 385
57724-3Z000	0605496	HYUNDAI	556	5960057	0280297	SEAT	1325
57724-4D000	0604566	KIA	618	5960321	0600410	AUTOBIANCHI	125, 127
57724-4H000	0695194	HYUNDAI	548	5960321	0600410	FIAT	363, 375, 402, 405, 407
57724-4H100	0685194	HYUNDAI	548				
57728-17000	0905728	KIA	628	5960321	0600410	INNOCENTI	576
57729-4A000	0602808	HYUNDAI	547	5960321	0600410	PIAGGIO	1156
57730-24000	0603366	HYUNDAI	563	5960321	0600410	SEAT	1323, 1350
57730-24000	0603800	HYUNDAI	559	5960834	0280299	FIAT	375
57730-24000	0604453	HYUNDAI	540, 549	5960834	0280299	PIAGGIO	1156
57730-24100	0603364	HYUNDAI	563	5960834	0280299	SEAT	1350
57730-28000	0603800	HYUNDAI	559	5960835	0280299	FIAT	375
57730-28500	0601294	HYUNDAI	559	5960835	0280299	PIAGGIO	1156
57730-29000	0601285	HYUNDAI	560	5960835	0280299	SEAT	1350
57730-29001	0601285	HYUNDAI	560	5962654	0280621	FIAT	407
57730-33100	0601569	HYUNDAI	559, 566	5962772	0280300	FIAT	410
57730-33200	0603362	HYUNDAI	566	5962773	0280300	FIAT	410
57730-43010	0604453	HYUNDAI	540, 549	5962775	0280298	AUTOBIANCHI	125
57731-3E010	0682471	KIA	637	5962775	0280298	FIAT	402, 405
57732-3E010	0692471	KIA	637	5962775	0280298	SEAT	1323
57740-2K001	0905494	KIA	634	5962775	0280441	FIAT	339, 380, 382, 404
57740-B4000	0908830	HYUNDAI	551				
57755-02000	0604458	HYUNDAI	542	5962775	0280441	LANCIA	670

RIF. ORIG. O.E. NUMBER	RIF. OCAP OCAP REF.	MARCA MAKE	PAG.	RIF. ORIG. O.E. NUMBER	RIF. OCAP OCAP REF.	MARCA MAKE	PAG.
5966980	0282105	LANCIA	655	5Q0407152G	0785748	AUDI	46
5976943	0700278	FIAT	375	5Q0407152G	0785748	SEAT	1347
5978637 *	0901175	FIAT	386	5Q0407152G	0785748	SKODA	1380
5978637	1211075	FIAT	386	5Q0407152G	0785748	VOLKSWAGEN	1613
5978637	1211075	INNOCENTI	576	5Q0407152J *	0785749	AUDI	46
5978637	1211075	LANCIA	655	5Q0407152J *	0785749	SEAT	1347
5983313	0600413	FIAT	385, 400	5Q0407152J *	0785749	SKODA	1380
5983404	0280298	AUTOBIANCHI	125	5Q0407152J *	0785749	VOLKSWAGEN	1613
5983404	0280298	FIAT	402, 405	5Q0407152J	0785748	AUDI	46
5983404	0280298	SEAT	1323	5Q0407152J	0785748	SEAT	1347
5983406	0280296	AUTOBIANCHI	127	5Q0407152J	0785748	SKODA	1380
5983406	0280296	FIAT	400	5Q0407152J	0785748	VOLKSWAGEN	1613
5983406	0280298	AUTOBIANCHI	125	5Q0407182	1215716	AUDI	42-43, 46-47, 89, 99
5983406	0280298	FIAT	402, 405	5Q0407182	1215716	SEAT	1309, 1318, 1343-1344, 1347-1348
5983406	0280298	SEAT	1323	5Q0407182	1215716	SKODA	1369, 1371, 1376-1377, 1380-1381, 1391-1392, 1394
5995267	0190051	FIAT	409, 411	5Q0407182	1215716	VOLKSWAGEN	1573, 1580- 1581, 1605- 1607, 1610- 1611, 1613- 1614, 1616- 1617, 1619, 1648-1649, 1652, 1673- 1674, 1678, 1680-1681, 1683, 1690- 1691, 1694, 1696
5995268	0180027	FIAT	411	5Q0407183E	1216229	AUDI	35, 46-47
5995503	0700575	AUTOBIANCHI	127	5Q0407183E	1216229	SEAT	1312, 1318, 1339, 1347- 1348
5995503	0700575	FIAT	375	5Q0407183E	1216229	SKODA	1369, 1371, 1380-1381, 1394
5C0407151A *	0798075	VOLKSWAGEN	1619	5Q0407183E	1216229	VOLKSWAGEN	1613-1614, 1652, 1672, 1683, 1696
5C0407151A	0798074	VOLKSWAGEN	1619	5Q0407365A	0494281	AUDI	34-35, 42-43, 46
5C0407151B *	0798075	VOLKSWAGEN	1619	5Q0407365A	0494281	SEAT	1311-1312, 1338-1339, 1343-1344, 1347
5C0407151B	0798074	VOLKSWAGEN	1619	5Q0407365A	0494281	SKODA	1376-1377, 1380, 1391- 1392
5C0407151D *	0798075	VOLKSWAGEN	1619	5Q0407365A	0494281	VOLKSWAGEN	1573, 1605- 1607, 1610- 1611, 1613- 1614, 1616- 1617, 1619, 1648-1649, 1652, 1673- 1674, 1678, 1680-1681, 1683, 1690- 1691, 1694, 1696
5C0407151D	0798074	VOLKSWAGEN	1619	5Q0407366A	0484281	AUDI	34-35, 42-43, 46
5C0407152A *	0788075	VOLKSWAGEN	1619	5Q0407366A	0484281	SEAT	1311-1312, 1338-1339, 1343-1344, 1347
5C0407152A	0788074	VOLKSWAGEN	1619	5Q0407366A	0484281	SKODA	1376-1377, 1380, 1391- 1392
5C0407152B *	0788075	VOLKSWAGEN	1619	5Q0407366A	0484281	VOLKSWAGEN	1573, 1605- 1607, 1610- 1611, 1613, 1616-1617, 1619, 1671- 1674, 1680- 1681, 1690- 1691, 1694
5C0407152B	0788074	VOLKSWAGEN	1619	5Q0407366A	0484281	AUDI	34-35, 42-43, 46
5C0407152D *	0788075	VOLKSWAGEN	1619	5Q0407366A	0484281	SEAT	1311-1312, 1338-1339, 1343-1344, 1347
5C0407152D	0788074	VOLKSWAGEN	1619	5Q0407366A	0484281	SKODA	1376-1377, 1380, 1391- 1392
5C0407183A	1216069	SKODA	1392	5Q0407366A	0484281	VOLKSWAGEN	1573, 1605- 1607, 1610- 1611, 1613, 1616-1617, 1619, 1671- 1674, 1680- 1681, 1690- 1691, 1694
5C0407183A	1216069	VOLKSWAGEN	1573, 1607, 1619	5Q0407366A	0484281	AUDI	34-35, 42-43, 46
5C0423831	1211426	AUDI	42, 46, 89, 99	5Q0407366A	0484281	SEAT	1311-1312, 1338-1339, 1343-1344, 1347
5C0423831	1211426	SEAT	1309, 1343, 1347	5Q0407366A	0484281	SKODA	1376-1377, 1380, 1391- 1392
5C0423831	1211426	SKODA	1376, 1380, 1391	5Q0407366A	0484281	VOLKSWAGEN	1573, 1605- 1607, 1610- 1611, 1613, 1616-1617, 1619, 1671- 1674, 1680- 1681, 1690- 1691, 1694
5C0423831	1211426	VOLKSWAGEN	1573, 1580, 1605, 1610, 1613, 1616, 1619, 1647, 1652, 1673, 1678, 1680, 1690, 1694	5Q0407151G	0795748	AUDI	46
5N0407151 *	0792116	VOLKSWAGEN	1581, 1649	5Q0407151G	0795748	SEAT	1347
5N0407151 **	0794279	VOLKSWAGEN	1681	5Q0407151G	0795748	SKODA	1380
5N0407151	0792117	VOLKSWAGEN	1581, 1649, 1681	5Q0407151G	0795748	VOLKSWAGEN	1613
5N0407152 *	0782116	VOLKSWAGEN	1581, 1649	5Q0407151J *	0795749	AUDI	46
5N0407152 **	0784279	VOLKSWAGEN	1681	5Q0407151J *	0795749	SEAT	1347
5N0407152	0782117	VOLKSWAGEN	1581, 1649, 1681	5Q0407151J *	0795749	SKODA	1380
5Q0407151G	0795748	AUDI	46	5Q0407151J *	0795749	VOLKSWAGEN	1613
5Q0407151G	0795748	SEAT	1347	5Q0407151J	0795748	AUDI	46
5Q0407151G	0795748	SKODA	1380	5Q0407151J	0795748	SEAT	1347
5Q0407151G	0795748	VOLKSWAGEN	1613	5Q0407151J	0795748	SKODA	1380
5Q0407151J *	0795749	AUDI	46	5Q0407151J	0795748	VOLKSWAGEN	1613
5Q0407151J *	0795749	SEAT	1347	5Q0407151J	0795748	AUDI	46
5Q0407151J *	0795749	SKODA	1380	5Q0407151J	0795748	SEAT	1347
5Q0407151J *	0795749	VOLKSWAGEN	1613	5Q0407151J	0795748	SKODA	1380
5Q0407151J	0795748	AUDI	46	5Q0407151J	0795748	VOLKSWAGEN	1613
5Q0407151J	0795748	SEAT	1347	5Q0407366A	0484281	SKODA	1376-1377, 1380, 1391-
5Q0407151J	0795748	SKODA	1380				
5Q0407151J	0795748	VOLKSWAGEN	1613				

RIF. ORIG. O.E. NUMBER	RIF. OCAP OCAP REF.	MARCA MAKE	PAG.	RIF. ORIG. O.E. NUMBER	RIF. OCAP OCAP REF.	MARCA MAKE	PAG.
			1392	5Q0505223D	0795751	VOLKSWAGEN	1615, 1653, 1697
5Q0407366A	0484281	VOLKSWAGEN	1573, 1605-1607, 1610-1611, 1613, 1616-1617, 1619, 1671-1674, 1680-1681, 1690-1691, 1694	5Q0505224D	0785751	AUDI	48
				5Q0505224D	0785751	SEAT	1319, 1349
				5Q0505224D	0785751	SKODA	1370, 1382
				5Q0505224D	0785751	VOLKSWAGEN	1615, 1653, 1697
				5Q0505311D *	1216231	AUDI	48
5Q0411315A	0504283	AUDI	43, 47, 89, 99	5Q0505311D *	1216231	SEAT	1319, 1349
5Q0411315A	0504283	SEAT	1310, 1318, 1344, 1348	5Q0505311D *	1216231	SKODA	1382
				5Q0505311D *	1216231	VOLKSWAGEN	1615
				5Q0505311D	0705749	AUDI	48
5Q0411315A	0504283	SKODA	1369, 1371, 1377, 1381, 1392, 1394	5Q0505311D	0705749	SEAT	1319, 1349
				5Q0505311D	0705749	SKODA	1382
				5Q0505311D	0705749	VOLKSWAGEN	1615
				5Q0505311F *	1216231	AUDI	48
				5Q0505311F *	1216231	SEAT	1319, 1349
				5Q0505311F *	1216231	SKODA	1382
				5Q0505311F *	1216231	VOLKSWAGEN	1615
				5Q0505311F	0705749	AUDI	48
5Q0411315B	0504283	AUDI	43, 47, 89, 99	5Q0505311F	0705749	SEAT	1319, 1349
5Q0411315B	0504283	SEAT	1310, 1318, 1344, 1348	5Q0505311F	0705749	SKODA	1382
				5Q0505311F	0705749	VOLKSWAGEN	1615
				5Q0505323C	0703133	AUDI	33, 44, 90, 100
5Q0411315B	0504283	SKODA	1369, 1371, 1377, 1381, 1392, 1394	5Q0505323C	0703133	SEAT	1310, 1345
				5Q0505323C	0703133	SKODA	1370, 1378, 1393
				5Q0505323C	0703133	VOLKSWAGEN	1574, 1582, 1608, 1612, 1618, 1620, 1650, 1653, 1675, 1679, 1682, 1684, 1692, 1695, 1697
				5Q0505323D	0705748	AUDI	48
5Q0423810	0602116	SEAT	1318	5Q0505323D	0705748	SEAT	1319, 1349
5Q0423810	0602116	SKODA	1369, 1371, 1394	5Q0505323D	0705748	SKODA	1382
				5Q0505323D	0705748	VOLKSWAGEN	1615
5Q0423810	0602116	VOLKSWAGEN	1573, 1683, 1696	5Q0505465A	0505748	AUDI	48
				5Q0505465A	0505748	SEAT	1320, 1349
5Q0501529C *	1216233	AUDI	48	5Q0505465A	0505748	SKODA	1370, 1372, 1382, 1395
5Q0501529C *	1216233	SEAT	1320, 1349	5Q0505465A	0505748	VOLKSWAGEN	1615, 1653, 1684, 1697
5Q0501529C *	1216233	SKODA	1370, 1382	5Q0505465C	0505748	AUDI	48
5Q0501529C *	1216233	VOLKSWAGEN	1615, 1653, 1684, 1697	5Q0505465C	0505748	SEAT	1320, 1349
				5Q0505465C	0505748	SKODA	1370, 1372, 1382, 1395
5Q0501529C **	1216234	AUDI	48	5Q0505465C	0505748	VOLKSWAGEN	1615, 1653, 1684, 1697
5Q0501529C **	1216234	SEAT	1320, 1349	5U0407365A	0495341	AUDI	31-32
5Q0501529C **	1216234	SKODA	1370, 1382	5U0407365A	0495341	SEAT	1333, 1335-1336, 1352
5Q0501529C **	1216234	VOLKSWAGEN	1615, 1653, 1684, 1697	5U0407365A	0495341	SKODA	1358, 1362, 1364, 1366, 1383, 1386
				5U0407365A	0495341	VOLKSWAGEN	1667, 1669, 1707
5Q0501529C	0705751	AUDI	48	5U0407366A	0485341	AUDI	31-32
5Q0501529C	0705751	SEAT	1320, 1349	5U0407366A	0485341	SEAT	1333, 1335-1336, 1352
5Q0501529C	0705751	SKODA	1370, 1382	5U0407366A	0485341	SKODA	1358, 1362, 1364, 1366, 1383, 1386
5Q0501529C	0705751	VOLKSWAGEN	1615, 1653, 1684, 1697	5U0407366A	0485341	VOLKSWAGEN	1667, 1669, 1707
				5U0407366A	0485341	AUDI	31-32
5Q0501529D	0705751	AUDI	48	5U0407366A	0485341	SEAT	1333, 1335-1336, 1352
5Q0501529D	0705751	SEAT	1320, 1349	5U0407366A	0485341	SKODA	1358, 1362, 1364, 1366, 1383, 1386
5Q0501529D	0705751	SKODA	1370, 1382	5U0407366A	0485341	VOLKSWAGEN	1667, 1669, 1707
5Q0501529D	0705751	VOLKSWAGEN	1615, 1653, 1684, 1697	5U0407366A	0485341	AUDI	31-32
				5U0407366A	0485341	SEAT	1333, 1335-1336, 1352
5Q0501529F	0705751	AUDI	48	5U0407366A	0485341	SKODA	1358, 1362, 1364, 1366, 1383, 1386
5Q0501529F	0705751	SEAT	1320, 1349	5U0407366A	0485341	VOLKSWAGEN	1667, 1669, 1707
5Q0501529F	0705751	SKODA	1370, 1382	5Q0505223D	0795751	AUDI	48
5Q0501529F	0705751	VOLKSWAGEN	1615, 1653, 1684, 1697	5Q0505223D	0795751	SEAT	1319, 1349
				5Q0505223D	0795751	SKODA	1370, 1382

RIF. ORIG. O.E. NUMBER	RIF. OCAP OCAP REF.	MARCA MAKE	PAG.	RIF. ORIG. O.E. NUMBER	RIF. OCAP OCAP REF.	MARCA MAKE	PAG.
5Z0422831	1211445	SKODA	1385	6001550911	0782452	DACIA	318
5Z0422831	1211445	VOLKSWAGEN	1587	600653200A	0798676	TESLA	1452
6000022702	0190153	RENAULT	1182	6006664-00-C	0388677	TESLA	1452, 1454
6000022703	0180153	RENAULT	1182	600697200A *	0608676	TESLA	1452
6000022714	0293019	RENAULT	1253	6007071-00-A	0288676	TESLA	1452
6000022715	0283019	RENAULT	1253	600707100A	0288676	TESLA	1452
6000022720	0293205	RENAULT	1182, 1198, 1213-1214	6007071-00-B	0288676	TESLA	1452
6000022721	0283205	RENAULT	1182, 1198, 1213-1214	6007098-00-A	0598677	TESLA	1453
6000022730	0290367	RENAULT	1270	6007100-00-A	0508678	TESLA	1453
6000022731	0280367	RENAULT	1270	6007997-00-D	0308676	TESLA	1452, 1454
6000022736	0283015	RENAULT	1203	6007998-00-C	0398677	TESLA	1452, 1454
6000022737	0293015	RENAULT	1203	6008915-00-A	0588677	TESLA	1453
6000022752	0283205	RENAULT	1182, 1198, 1213-1214	600893000A	0788676	TESLA	1452
6000022753	0293205	RENAULT	1182, 1198, 1213-1214	6009974	0402071	FORD	483
6000022761	0281886	RENAULT	1179, 1192	6010076	0402070	FORD	483
6000022762	0291886	RENAULT	1179, 1192	6013210350	1215817	MERCEDES	843
6000022819	0603014	RENAULT	1203, 1213	6013260482	1214198	MERCEDES	854
6000025218	1211198	RENAULT	1253	6013300435	0180727	MERCEDES	798, 852-853
6000025219	1211197	RENAULT	1253	6013300535	0190727	MERCEDES	852
6000025363 *	0903014	RENAULT	1203	6013300635	0180727	MERCEDES	798, 852-853
6000025363	1211199	RENAULT	1203	6013300735	0190727	MERCEDES	852
6000025597 *	0903014	RENAULT	1203	6013305235	0190727	MERCEDES	852
6000030047	0190675	RENAULT	1240, 1242	6013305335	0180727	MERCEDES	798, 852-853
6000030048	0180675	RENAULT	1240, 1242	6014300535	0501347	MERCEDES	854
6000030064	0190153	RENAULT	1182	6014600005	0500730	MERCEDES	854
6000030065	0180153	RENAULT	1182	6014600105	0500730	MERCEDES	854
6000618835	0383875	NISSAN	954	6014600205	0500730	MERCEDES	854
6000618835	0383875	OPEL	1067	6014600305	0500730	MERCEDES	854
6000618835	0383875	RENAULT	1269	6014600305	0500730	MERCEDES	854
6000618836	0393875	NISSAN	954	6014600505	0502257	MERCEDES	854
6000618836	0393875	OPEL	1067	6014600605	0502257	MERCEDES	854
6000618836	0393875	RENAULT	1269	6014600705	0502257	MERCEDES	854
6000618859	0503878	NISSAN	954, 972	6014600805	0502257	MERCEDES	854
6000618859	0503878	OPEL	1066-1067	6014600905	0502257	MERCEDES	854
6000618859	0503878	RENAULT	1193, 1204, 1268-1269	6014601005	0502257	MERCEDES	854
6000618859	0503878	VAUXHALL	1570	6014601105	0502257	MERCEDES	854
6001021454	0790690	RENAULT	1261	6014601205	0502257	MERCEDES	854
6001021455	0780690	RENAULT	1261	6014601305	0502257	MERCEDES	854
6001547138	0902453	DACIA	316, 318-319	6014601505	0502257	MERCEDES	854
6001547138	0902453	RENAULT	1264	6023210050	1214205	MERCEDES	854
6001547140	1214087	DACIA	318	6023210250	1214205	MERCEDES	854
6001547519	0782452	DACIA	318	6023210350	1214205	MERCEDES	854
6001547520	0792452	DACIA	318	6023210450	1214205	MERCEDES	854
6001547606	0602451	DACIA	318	6023260282	1214204	MERCEDES	854
6001547607	0902450	DACIA	318	6023260482	1214206	MERCEDES	854
6001547610	0292450	DACIA	316, 318-319	6023260882	1214199	MERCEDES	854
6001547610	0292450	RENAULT	1264	6023300003	0502253	MERCEDES	853
6001547611	0282450	DACIA	316, 318-319	6023300035	0182254	MERCEDES	853
6001547611	0282450	RENAULT	1264	6023300103	0502253	MERCEDES	853
6001549311	1214087	DACIA	318	6023300135	0192254	MERCEDES	853
6001549988	1216021	DACIA	317-318	6023300235	0282248	MERCEDES	798-799
6001549989	1216021	DACIA	317-318	6023300303	0502253	MERCEDES	853
6001550441	0602451	DACIA	318	6023300335	0282248	MERCEDES	798-799
6001550442	0292450	DACIA	316, 318-319	6023300403	0502253	MERCEDES	853
6001550442	0292450	RENAULT	1264	6023300903	0502254	MERCEDES	853
6001550443	0282450	DACIA	316, 318-319	6023301003	0502254	MERCEDES	853
6001550443	0282450	RENAULT	1264	6023305303	0502254	MERCEDES	853
6001550446	0792452	DACIA	318	6023305403	0502254	MERCEDES	853
6001550909	0792452	DACIA	318	6023305435	0192254	MERCEDES	853
6001550910	0782452	DACIA	318	6023305535	0182254	MERCEDES	853
				6023305735	0192254	MERCEDES	853
				6023305835	0182254	MERCEDES	853
				6025305572	0391887	RENAULT	1179, 1192
				6025305573	0381887	RENAULT	1179, 1192
				6025307649	0391887	RENAULT	1179, 1192
				6025307650	0381887	RENAULT	1179, 1192

RIF. ORIG. O.E. NUMBER	RIF. OCAP OCAP REF.	MARCA MAKE	PAG.	RIF. ORIG. O.E. NUMBER	RIF. OCAP OCAP REF.	MARCA MAKE	PAG.
6025308155	0401887	RENAULT	1179, 1192	60570627	0181142	FIAT	341, 347, 396
6025311529	1215584	RENAULT	1179, 1192	60570627	0181142	LANCIA	653, 658-659
6025370229	0291886	RENAULT	1179, 1192	60572854	0902189	ALFA ROMEO	18
6025370230	0281886	RENAULT	1179, 1192	60572860	0502187	ALFA ROMEO	18
6025370493	0591886	RENAULT	1179, 1192	60586771	0390386	ALFA ROMEO	2, 4-5, 8, 27
6025370494	0581886	RENAULT	1179, 1192	60586771	0390386	FIAT	341, 347, 369
602672	0409200	ROVER GROUP	1275-1276	60586771	0390386	LANCIA	659
602673	0409201	ROVER GROUP	1275	60586772	0380386	ALFA ROMEO	2, 4-5, 8, 27
6040002245	1215800	DACIA	316, 318-319	60586772	0380386	FIAT	341, 347, 369
6040002245	1215800	RENAULT	1264	60586772	0380386	LANCIA	659
6040135517	0404172	NISSAN	949	6060787	1211070	FORD	483
6040135517	0404172	RENAULT	1217	6060791	1211071	FORD	483
604153	0499261	ROVER GROUP	1276	60608979	0590330	ALFA ROMEO	1
604154	0489261	ROVER GROUP	1276	60608980	0580330	ALFA ROMEO	1
6047900 *	0900955	FORD	427-428, 432	60612435	0581281	ALFA ROMEO	27
6047900	1211065	FORD	427-428, 432	60612436	0591281	ALFA ROMEO	27
6047904 *	0900955	FORD	427-428, 432	60613575	0503077	ALFA ROMEO	11
6047904	1211066	FORD	427-428, 432	60614514	0501376	ALFA ROMEO	27
60501398 *	0400524	ALFA ROMEO	19	60614514	0501376	FIAT	390
60501401 *	0400523	ALFA ROMEO	19	60614514	0501376	SUZUKI	1432, 1437-1438
60501402 *	0400523	ALFA ROMEO	19	60616341	0501377	ALFA ROMEO	27
60501539	0180522	ALFA ROMEO	18	60622617	0503076	ALFA ROMEO	11
60502771	1215150	ALFA ROMEO	18	60625029	0503079	ALFA ROMEO	10
60502779	1214033	ALFA ROMEO	19	60627290	0391351	ALFA ROMEO	16
60502781	1211055	ALFA ROMEO	18	60627291	0381351	ALFA ROMEO	16
60507910	0602028	ALFA ROMEO	14	60627480	0501377	ALFA ROMEO	27
60507910	0602028	FIAT	348	60628255	0581357	ALFA ROMEO	17
60507910	0602028	LANCIA	667	60628284	0591357	ALFA ROMEO	17
60507918	0282029	ALFA ROMEO	14	60628294	0591356	ALFA ROMEO	17
60507918	0282029	FIAT	348	60628295	0581356	ALFA ROMEO	17
60507918	0282029	LANCIA	657, 662, 667	60628302	0501358	ALFA ROMEO	17
60510360	0400556	ALFA ROMEO	15	60629903	0503075	ALFA ROMEO	11
60510361	1215090	ALFA ROMEO	14-15	60630757	0501353	ALFA ROMEO	17
60510361	1215090	FIAT	349	60636099	0400528	ALFA ROMEO	20-21
60510361	1215090	LANCIA	668	60651939	0393078	ALFA ROMEO	10
60510361	1215090	SAAB	1306	60651940	0383078	ALFA ROMEO	10
60511622	0282029	ALFA ROMEO	14	60652167	0503076	ALFA ROMEO	11
60511622	0282029	FIAT	348	60652465 *	0903080	ALFA ROMEO	10
60511622	0282029	LANCIA	657, 662, 667	60652465	0393080	ALFA ROMEO	9
6051901	0500086	FORD	488	60652466 *	0903080	ALFA ROMEO	10
6051905	0500087	FORD	488	60652466	0383080	ALFA ROMEO	9
60521243	0402508	ALFA ROMEO	21	60653551	0391352	ALFA ROMEO	17
60521320	0280525	ALFA ROMEO	20-21	60653552	0381352	ALFA ROMEO	17
60535946	0180522	ALFA ROMEO	18	60657245	0393078	ALFA ROMEO	10
60536914 *	0400523	ALFA ROMEO	19	60657246	0383078	ALFA ROMEO	10
60536915 *	0400523	ALFA ROMEO	19	60665804	0391351	ALFA ROMEO	16
60548913	0600526	ALFA ROMEO	21	60665805	0381351	ALFA ROMEO	16
60548925	0600526	ALFA ROMEO	20-21	60666020	0381352	ALFA ROMEO	17
60556032	0402035	ALFA ROMEO	14	60666021	0391352	ALFA ROMEO	17
60556032	0402035	LANCIA	668	60666787	0393078	ALFA ROMEO	10
60565705	0280383	ALFA ROMEO	7, 26	60678134 *	0903080	ALFA ROMEO	10
60565705	0280383	FIAT	346	60678134	0393080	ALFA ROMEO	9
60565705	0280383	LANCIA	659	60678135 *	0903080	ALFA ROMEO	10
60565706	0290383	ALFA ROMEO	7, 26	60678135	0383080	ALFA ROMEO	9
60565706	0290383	FIAT	346	60686891 *	0903080	ALFA ROMEO	10
60565706	0290383	LANCIA	659	60686891	0393080	ALFA ROMEO	9
60566661	0402035	ALFA ROMEO	14	60686892 *	0903080	ALFA ROMEO	10
60566661	0402035	LANCIA	668	60686892	0383080	ALFA ROMEO	9
60570365	0181303	ALFA ROMEO	15	60695895	0391351	ALFA ROMEO	16
60570365	0181303	FIAT	350	60695896	0381351	ALFA ROMEO	16
60570365	0181303	LANCIA	668	60701600	0401600	ALFA ROMEO	20
60570627 *	0181142-K	ALFA ROMEO	2, 4, 6, 8, 27	60709447	1211055	ALFA ROMEO	18
60570627 *	0181142-K	FIAT	341, 347, 396	60724046	0400528	ALFA ROMEO	20-21
60570627 *	0181142-K	LANCIA	653, 658-659	60724047	0400528	ALFA ROMEO	20-21
60570627	0181142	ALFA ROMEO	2, 4, 6, 8, 27				

RIF. ORIG. O.E. NUMBER	RIF. OCAP OCAP REF.	MARCA MAKE	PAG.	RIF. ORIG. O.E. NUMBER	RIF. OCAP OCAP REF.	MARCA MAKE	PAG.
60724111	1211058	ALFA ROMEO	20-21	60811769	0380386	LANCIA	659
60724154	1211058	ALFA ROMEO	20-21	60811770	0390386	ALFA ROMEO	2, 4-5, 8, 27
60724166	1211058	ALFA ROMEO	20-21	60811770	0390386	FIAT	341, 347, 369
60724222	1211058	ALFA ROMEO	20-21	60811770	0390386	LANCIA	659
60724229	1214045	ALFA ROMEO	21	60812796	0390386	ALFA ROMEO	2, 4-5, 8, 27
60728428	0402508	ALFA ROMEO	21	60812796	0390386	FIAT	341, 347, 369
60728429	0402508	ALFA ROMEO	21	60812796	0390386	LANCIA	659
60734829	0602507	ALFA ROMEO	21	60812797	0380386	ALFA ROMEO	2, 4-5, 8, 27
60734840	1211058	ALFA ROMEO	20-21	60812797	0380386	FIAT	341, 347, 369
60736098	0400528	ALFA ROMEO	20-21	60812797	0380386	LANCIA	659
60745036 *	0400524	ALFA ROMEO	19	60813013	0390386	ALFA ROMEO	2, 4-5, 8, 27
60745037 *	0400524	ALFA ROMEO	19	60813013	0390386	FIAT	341, 347, 369
60760026	1211221	ALFA ROMEO	14	60813013	0390386	LANCIA	659
60760026	1211221	FIAT	348, 386	60813014	0380386	ALFA ROMEO	2, 4-5, 8, 27
60760026	1211221	LANCIA	667	60813014	0380386	FIAT	341, 347, 369
60800837 *	0181142-K	ALFA ROMEO	2, 4, 6, 8, 27	60813014	0380386	LANCIA	659
60800837 *	0181142-K	FIAT	341, 347, 396	6083200028	0402159	MERCEDES	854-855
60800837 *	0181142-K	LANCIA	653, 658-659	6083200128	0402159	MERCEDES	854-855
60801315	1215218	ALFA ROMEO	15, 17	6083300303	0502252	MERCEDES	853
60801371	1215090	ALFA ROMEO	14-15	6083300403	0502255	MERCEDES	853
60801371	1215090	FIAT	349	6083305535	0192254	MERCEDES	853
60801371	1215090	LANCIA	668	6083305735	0192254	MERCEDES	853
60801371	1215090	SAAB	1306	6083330027	0182252	MERCEDES	853
60801498	0502523	ALFA ROMEO	15	6083380110	0192252	MERCEDES	853
60806408 *	0181142-K	ALFA ROMEO	2, 4, 6, 8, 27	6084600105	0502256	MERCEDES	853
60806408 *	0181142-K	FIAT	341, 347, 396	6087888	0380653	FORD	429
60806408 *	0181142-K	LANCIA	653, 658-659	6087889	0390653	FORD	429
60806408	1215243	ALFA ROMEO	27	6087890	1215011	FORD	427, 429, 432, 481
60806408	1215243	FIAT	341, 347, 350, 396	6100990	0790666	FORD	427
60806408	1215243	LANCIA	653, 658-659, 668	6100991	0780666	FORD	427
60806409 *	0181142-K	ALFA ROMEO	2, 4, 6, 8, 27	6107025 *	0900653	FORD	429
60806409 *	0181142-K	FIAT	341, 347, 396	6107025	1215043	FORD	429
60806409 *	0181142-K	LANCIA	653, 658-659	6110904	0901076	FORD	427
60807583	0181142	ALFA ROMEO	2, 4, 6, 8, 27	6111394	0400102	FORD	432
60807583	0181142	FIAT	341, 347, 396	6113260081	1214208	MERCEDES	854
60807583	0181142	LANCIA	653, 658-659	6114614	0380657	FORD	481
60808044	1215090	ALFA ROMEO	14-15	6114615	0390657	FORD	481
60808044	1215090	FIAT	349	6114616	0382060	FORD	481
60808044	1215090	LANCIA	668	6114617	0392060	FORD	481
60808044	1215090	SAAB	1306	6115334	0380653	FORD	429
60808278	0181303	ALFA ROMEO	15	6115336	0390653	FORD	429
60808278	0181303	FIAT	350	6115337	0400651	FORD	427
60808278	0181303	LANCIA	668	6115338	0400651	FORD	427
60809494	0280289	ALFA ROMEO	3, 5, 7, 26	6120231	0280656	FORD	430, 477, 480
60809494	0280289	FIAT	340, 346, 395	6120232	0290656	FORD	430, 477, 480
60809494	0280289	LANCIA	652, 658-659	6127716	0284500	FORD	477
60809495	0290289	ALFA ROMEO	3, 5, 7, 26	6127726	0603502	FORD	428
60809495	0290289	FIAT	340, 346, 395	6127744 *	0900958	FORD	428
60809495	0290289	LANCIA	652, 658-659	6127744	1211068	FORD	428
60809612	0290383	ALFA ROMEO	7, 26	6128255	0600953	FORD	432
60809612	0290383	FIAT	346	6128321	0402073	FORD	420
60809612	0290383	LANCIA	659	6128814	0280055	FORD	426-428, 432-433
60809613	0280383	ALFA ROMEO	7, 26	6129161	0900226	FORD	481
60809613	0280383	FIAT	346	6130560	0400954	FORD	432
60809613	0280383	LANCIA	659	6131083	0601113	FORD	480
60809813	0390386	ALFA ROMEO	2, 4-5, 8, 27	6133282	0380657	FORD	481
60809813	0390386	FIAT	341, 347, 369	6133284	0390657	FORD	481
60809813	0390386	LANCIA	659	6140086	0901077	FORD	432
60809814	0380386	ALFA ROMEO	2, 4-5, 8, 27	6144628	1215017	FORD	431, 478, 481
60809814	0380386	FIAT	341, 347, 369	6148432	0500086	FORD	488
60809814	0380386	LANCIA	659	6148436	0180658	FORD	488
60811769	0380386	ALFA ROMEO	2, 4-5, 8, 27	6148439	0190658	FORD	488
60811769	0380386	FIAT	341, 347, 369	6148996	0180085	FORD	489

RIF. ORIG. O.E. NUMBER	RIF. OCAP OCAP REF.	MARCA MAKE	PAG.	RIF. ORIG. O.E. NUMBER	RIF. OCAP OCAP REF.	MARCA MAKE	PAG.
6148999	0190085	FORD	489	6313380510	0181695	MERCEDES	798-799
6149939	0382060	FORD	481	6314600705	0502261	MERCEDES	855
6149940	0392060	FORD	481	6315-10040	0282510	SUBARU	1420
6150970	0181724-K	FORD	494	6315-10070	0282510	SUBARU	1420
6150971	0191724-K	FORD	494	6375623	0404101	VAUXHALL	1569
6150977	1214186	FORD	489, 491-492	6383230268	0591907	MERCEDES	846
6154160	0901077	FORD	432	6383230285	1214095	MERCEDES	842, 846, 848
6154161	0400082	FORD	489, 491-492	6383230368	0581907	MERCEDES	846
6154287	0394502	FORD	478	6383230468	0594163	MERCEDES	846
6154288	0384502	FORD	478	6383230568	0584163	MERCEDES	846
6156450	0280080	FORD	489-490, 492	6383260016	0504160	MERCEDES	846
6156456	0290080	FORD	489-490	6383260116	0504160	MERCEDES	846
6156463	0600081	FORD	492-493	6383300010	0791906	MERCEDES	845
6157753	0792750	FORD	489, 491-492	6383300027	0401906	MERCEDES	845
6158242	0501649	FORD	492	6383300110 *	1215503	MERCEDES	845
6160070 *	0900598	FORD	492-493	6383300110	0781906	MERCEDES	845
6160070	1211073	FORD	492-493	638330027	0401906	MERCEDES	845
6160988	0284500	FORD	477	6383330814	1215504	MERCEDES	845
617242003	0708888	PORSCHE	1165, 1167	6384600048	0281904	MERCEDES	845
6172638	0181718	FORD	490	6384600055	0601905	MERCEDES	845
6172640	0191718	FORD	490	6384600205	0501904	MERCEDES	845
6172643	0280080	FORD	489-490, 492	6384600255	0601905	MERCEDES	845
6172645	0501720	FORD	490	6393200089	0594262	MERCEDES	848
6172647	0290080	FORD	489-490	6393200189	0584262	MERCEDES	848
6172648	0290080	FORD	489-490	6393200989	0598879	MERCEDES	848
6173476 *	0900978	FORD	428, 430, 433, 480	6393201089	0588879	MERCEDES	848
6173476	1211067	FORD	428, 430, 433, 477, 480	6393260216	0508847	MERCEDES	848, 850
6177346 *	0900957	FORD	435	6393260616	0508847	MERCEDES	848, 850
6177346	1211236	FORD	435	6393300410 *	0404260	MERCEDES	847-848
6177347 *	0900957	FORD	435	6393300410	0794260	MERCEDES	847
6177347	1211236	FORD	435	6393300510 *	0404260	MERCEDES	847-848
6178028	0782750	FORD	489, 491-492	6393300510	0784260	MERCEDES	847
6180350	0601713	FORD	430	6393301207	0795792	MERCEDES	848
6180393	0601713	FORD	430	6393301307	0785792	MERCEDES	848
6180922	0601714	FORD	430	6393301401 *	1216310	MERCEDES	848
6182818	1211163	FORD	430, 477	6393301401	0795792	MERCEDES	848
6185334	0603502	FORD	428	6393301501 *	1216309	MERCEDES	848
6185336	0601113	FORD	480	6393301501	0785792	MERCEDES	848
6185338	0601716	FORD	430, 477	6393330214	1215704	MERCEDES	847
6186194	0600953	FORD	432	6393330227 *	0404260	MERCEDES	847-848
6186195	0601716	FORD	430, 477	6393330427 *	0404260	MERCEDES	847-848
6192705	1215013	FORD	478, 484	6393331114	1216311	MERCEDES	848-850
6192705	1215554	FORD	431, 481	6394600048	0294249	MERCEDES	847
6193085	0780736	FORD	433	6394600055 *	0604250	MERCEDES	847
6193086	0790736	FORD	433	6394600055	0604250-K	MERCEDES	847
6194367	0380657	FORD	481	6394600096 *	1211609	MERCEDES	847
6194368	0384502	FORD	478	6394600096	0904250	MERCEDES	847
6194369	0394502	FORD	478	6394600196 *	1211609	MERCEDES	847
6197238	0601714	FORD	430	6394600196	0904250	MERCEDES	847
6198474	0400082	FORD	489, 491-492	6394600348	0284249	MERCEDES	847
6202402	0501721	FORD	490	6394600548	0284249	MERCEDES	847
6232-20042	0402511	SUBARU	1420	6397973	0280702	INNOCENTI	577
6232-20043	0402511	SUBARU	1420	6397973	0280702	ROVER GROUP	1274, 1278, 1280
6313200028	0402159	MERCEDES	854-855	6397973	0280702	VAUXHALL	1569
6313200228	0402159	MERCEDES	854-855	6517356	1215878	FORD	493
6313300303	0502258	MERCEDES	855	6517364	0281725	FORD	493
6313300310	0182261	MERCEDES	855	6521811	1214138	FORD	494
6313300410	0192258	MERCEDES	855	6521812	1214106	FORD	494
6313300435	0192260	MERCEDES	855	6525843	0781715	FORD	431
6313300535	0182259	MERCEDES	855	6525844	0791715	FORD	431
6313300603	0502259	MERCEDES	855	65433160005	1216420	MAN	705
6313300703	0502260	MERCEDES	855	65433160005	1216420	VOLKSWAGEN	1585
6313380310	0182261	MERCEDES	855	65433160006	0408675	MAN	705
				65433160006	0408675	VOLKSWAGEN	1585

RIF. ORIG. O.E. NUMBER	RIF. OCAP OCAP REF.	MARCA MAKE	PAG.	RIF. ORIG. O.E. NUMBER	RIF. OCAP OCAP REF.	MARCA MAKE	PAG.	
65433160009	1216420	MAN	705	6770225	0791715	FORD	431	
65433160009	1216420	VOLKSWAGEN	1585	6771111	0192604	VOLVO	1735	
65437180008	0588675	MAN	705	6771112	0182604	VOLVO	1735	
65437180008	0588675	VOLKSWAGEN	1585	6772173 *	0901772	FORD	468	
65437180009	0598675	MAN	705	6772173	1211193	FORD	464	
65437180009	0598675	VOLKSWAGEN	1585	6772173	1211346	FORD	422, 463, 468	
65467100000	0608675	MAN	705	6788739 *	1215399	FORD	431	
65467100000	0608675	VOLKSWAGEN	1585	678931	0592603	VOLVO	1735	
65467100001	0298675	MAN	705	678932	0582603	VOLVO	1735	
65467100001	0298675	VOLKSWAGEN	1585	6790115	1215178	FORD	464, 466	
65467100002	0288675	MAN	705	6790700	0601328	FORD	457	
65467100002	0288675	VOLKSWAGEN	1585	6792899	0501719	FORD	490	
6555938	0291712	FORD	430	679290	0192605	VOLVO	1735	
6567692	0501721	FORD	490	6792900	0181719	FORD	490	
6589456	0281678	FORD	490-491	6792901	0191719	FORD	490	
6589457	0291678	FORD	491	679291	0182605	VOLVO	1735	
6589459	0501721	FORD	490	68003671AA	0282561	JEEP	604	
6589460	0501678	FORD	491	68014944AA	0282720	CHRYSLER	238	
6606030 *	0605169	OPEL	1037	68014944AA	0282720	FIAT	366	
6606030 *	0605169	SAAB	1303	68014944AA	0282720	JEEP	606	
6606030	0605169-K	OPEL	1037	68019642AA	0602721	CHRYSLER	237-238	
6606030	0605169-K	SAAB	1303	68019642AB	0602721	CHRYSLER	237-238	
6606031	0288080	CHEVROLET - DAEWOO 221, 231		68019643AA	0602721	CHRYSLER	237-238	
6606031	0288080	OPEL	1022, 1070	1037,	68019643AB	0602721	CHRYSLER	237-238
6606031	0288080	SAAB	1303	68028831AA	0605591	CHRYSLER	240	
6608818	1215877	FORD	493	68028831AC	0605591	CHRYSLER	240	
6608830	0782751	FORD	493	68028831AR	0605591	CHRYSLER	240	
6608832	0792751	FORD	493	68029024AA	0502562	JEEP	605	
6645154 *	0400736	FORD	431, 433	68029024AB	0502562	JEEP	605	
6645154	0780736	FORD	433	68033171AA	0285744	CHRYSLER	239	
6645155 *	0400949	FORD	434	68033171AB	0285744	CHRYSLER	239	
6645155	0780949	FORD	434	68040223AD *	0605756	FIAT	366	
6645156 *	0400736	FORD	431, 433	68040223AD	0605756-K	FIAT	366	
6645156	0790736	FORD	433	68040223AD**	0905756	FIAT	366	
6645157 *	0400949	FORD	434	68040223AE *	0605756	FIAT	366	
6645157	0790949	FORD	434	68040223AE	0605756-K	FIAT	366	
6650261	0401727	FORD	493	68040223AE**	0905756	FIAT	366	
6673300503	0501499	MERCEDES	852	68040224AA	0602720	JEEP	606	
6673300603	0501499	MERCEDES	852	68040224AB	0602720	JEEP	606	
6687191	0281725	FORD	493	68052655AA	0505757	FIAT	366	
6693300403	0507653	MERCEDES	852	68159271AA	0405592	CHRYSLER	240	
6701510 *	0181534-K	FORD	465	6819537	1215750	VOLVO	1730	
6701510 *	0181882-K	FORD	423, 465, 467	6822G1	0902131	CITROEN	255-256	
6703300003	0507653	MERCEDES	852	6822G1	0902131	PEUGEOT	1092-1093	
6703300103	0507653	MERCEDES	852	6822G1	0902131	TOYOTA	1463	
6703300203	0507653	MERCEDES	852	6822R9	0902131	CITROEN	255-256	
6703300303	0507653	MERCEDES	852	6822R9	0902131	PEUGEOT	1092-1093	
6705519	0780964	FORD	434	6822R9	0902131	TOYOTA	1463	
6705520	0790964	FORD	434	6822S0	0902131	CITROEN	255-256	
6710265	0708843	FORD	465, 467	6822S0	0902131	PEUGEOT	1092-1093	
6714195	1214123	FORD	423, 464, 467, 479	6822S0	0902131	TOYOTA	1463	
6732631	0400940	FORD	433-434	6829046	1216414	FORD	469	
6737692	0600392	FORD	464	6829046	1216414	JAGUAR	597	
675084	0402606	VOLVO	1735	6829061	0708843	FORD	465, 467	
675295	0592602	VOLVO	1735	6832049	0603968	FORD	463-464, 466	
675296	0582602	VOLVO	1735	6832049	0603968	MAZDA	746	
6758090 *	0901113	FORD	480	683303	0402608	VOLVO	1735	
6758090	1211293	FORD	480	68420200700	0400538	AUDI	104	
6769035	1216414	FORD	469	68421606100	0500535	AUDI	104	
6769035	1216414	JAGUAR	597	686397	0402606	VOLVO	1735	
6770224 *	0400736	FORD	431, 433	6867577	0704499	FORD	465, 467	
6770224	0781715	FORD	431	6869950	1211165	FORD	493	
6770225 *	0400736	FORD	431, 433	6869951	0600081	FORD	492-493	
				6870549	1215179	FORD	464	
				6915411 *	0181534-K	FORD	465	

RIF. ORIG. O.E. NUMBER	RIF. OCAP OCAP REF.	MARCA MAKE	PAG.	RIF. ORIG. O.E. NUMBER	RIF. OCAP OCAP REF.	MARCA MAKE	PAG.
6915411 *	0181882-K	FORD	423, 465, 467	6K0422804A	0580419	VOLKSWAGEN	1578
6924364	0402073	FORD	420	6K0422804B	0581897	SEAT	1329
6925L6 *	0900487	PEUGEOT	1099	6K0422804B	0581897	VOLKSWAGEN	1663
6935233	1211205	FORD	436, 438, 457, 477	6K0422804E *	0601898	SEAT	1329
693686 *	0902442	PEUGEOT	1100	6K0422804E *	0601898	VOLKSWAGEN	1663
6949548	0708843	FORD	465, 467	6K0422804E	0581897	SEAT	1329
6954470	0780393	FORD	464, 466	6K0422804E	0581897	VOLKSWAGEN	1663
6954471	0790393	FORD	464, 466	6K0422811	0291897	SEAT	1329
6959517	0280855	FORD	435, 457, 482	6K0422811	0291897	VOLKSWAGEN	1660, 1663
6959518	0280855	FORD	435, 457, 482	6K0422812	0281897	SEAT	1329
6960036	0500394	FORD	423, 465, 467	6K0422812	0281897	VOLKSWAGEN	1660, 1663
6960036	0501881	FORD	423, 465, 467	6N0407151 *	0982423	SEAT	1314
6A2A-32-240	0604450	MAZDA	726, 742, 747	6N0407151 *	0982423	VOLKSWAGEN	1662
6C0423810B	0606489	AUDI	31	6N0407151 *	0992423	SEAT	1314
6C0423810B	0606489	SEAT	1335	6N0407151 *	0992423	VOLKSWAGEN	1662
6C0423810B	0606489	SKODA	1366, 1383	6N0407151	0700287	SEAT	1313
6C0423810B	0606489	VOLKSWAGEN	1669	6N0407151	0700287	VOLKSWAGEN	1661
6C0423810C	0606489	AUDI	31	6N0407151A	0701062	SEAT	1316
6C0423810C	0606489	SEAT	1335	6N0407151A	0701062	VOLKSWAGEN	1627, 1662
6C0423810C	0606489	SKODA	1366, 1383	6N0407151B	0700287	SEAT	1313
6C0423810C	0606489	VOLKSWAGEN	1669	6N0407151B	0700287	VOLKSWAGEN	1661
6C0423811A	0291850	AUDI	36	6N0407175 *	0982423	SEAT	1314
6C0423811A	0291850	SEAT	1331, 1335	6N0407175 *	0982423	VOLKSWAGEN	1662
6C0423811A	0291850	SKODA	1360-1361, 1364, 1366, 1383, 1385	6N0407175 *	0992423	SEAT	1314
6C0423811A	0291850	VOLKSWAGEN	1587, 1665- 1666, 1669	6N0407175 *	0992423	VOLKSWAGEN	1662
6C0423812A	0281850	AUDI	36	6N0407175	1249203	SEAT	1313, 1316, 1332
6C0423812A	0281850	SEAT	1331, 1335	6N0407175	1249203	SKODA	1362, 1386
6C0423812A	0281850	SKODA	1360-1361, 1364, 1366, 1383, 1385	6N0407175A	1249203	VOLKSWAGEN	1588, 1627, 1662
6C0423812A	0281850	VOLKSWAGEN	1587, 1665- 1666, 1669	6N0407175A	1249203	SEAT	1313, 1316, 1332
6C113A052BB	0783867	FORD	496	6N0407175A	1249203	SKODA	1362, 1386
6C113A053BB	0793867	FORD	496	6N0407175A	1249203	VOLKSWAGEN	1588, 1627, 1661-1662, 1666
6E0419831 *	0901804	AUDI	37	6N0407181	1215091	SEAT	1313, 1316
6E0419831 *	0901804	SKODA	1361	6N0407181	1215091	VOLKSWAGEN	1627, 1661- 1662
6E0419831	1211349	AUDI	37	6N0407182	1215146	SEAT	1313, 1316
6E0419831	1211349	SEAT	1331	6N0407182	1215146	VOLKSWAGEN	1627, 1661- 1662
6E0419831	1211349	SKODA	1361, 1385	6N0407365 *	0992423	SEAT	1314
6E0419831	1211349	VOLKSWAGEN	1587, 1666	6N0407365 *	0992423	VOLKSWAGEN	1662
6G915K652XAE	0708840	FORD	454, 471	6N0407365	0490287	SEAT	1313, 1316
6K0411315 *	0181898-K	SEAT	1330	6N0407365	0490287	VOLKSWAGEN	1627, 1661- 1662
6K0411315 *	0181898-K	VOLKSWAGEN	1664	6N0407365A *	0982423	SEAT	1314
6K0411315	0181898	SEAT	1330	6N0407365A *	0982423	VOLKSWAGEN	1662
6K0411315	0181898	VOLKSWAGEN	1664	6N0407365A	0480287	SEAT	1313, 1316
6K0422803 *	0600419	SEAT	1326	6N0407365A	0480287	VOLKSWAGEN	1627, 1661- 1662
6K0422803 *	0600419	VOLKSWAGEN	1578	6N0411313	1214026	VOLKSWAGEN	1628
6K0422803	0590419	SEAT	1326	6N0411313A	1214027	VOLKSWAGEN	1628
6K0422803	0590419	VOLKSWAGEN	1578	6N0411315 *	0181011-K	SEAT	1314
6K0422803A	0590419	SEAT	1326	6N0411315 *	0181011-K	VOLKSWAGEN	1628, 1661
6K0422803A	0590419	VOLKSWAGEN	1578	6N0411315 *	0982423	SEAT	1314
6K0422803B	0591897	SEAT	1329	6N0411315 *	0982423	VOLKSWAGEN	1662
6K0422803B	0591897	VOLKSWAGEN	1663	6N0411315 *	0992423	SEAT	1314
6K0422803E *	0601898	SEAT	1329	6N0411315 *	0992423	VOLKSWAGEN	1662
6K0422803E *	0601898	VOLKSWAGEN	1663	6N0411315 *	0992423	VOLKSWAGEN	1662
6K0422803E	0591897	SEAT	1329	6N0411315	0181011	SEAT	1314
6K0422803E	0591897	VOLKSWAGEN	1663	6N0411315	0181011	VOLKSWAGEN	1628, 1661
6K0422804 *	0600419	SEAT	1326	6N0411315A *	0181061-K	SEAT	1317
6K0422804 *	0600419	VOLKSWAGEN	1578	6N0411315A *	0181061-K	VOLKSWAGEN	1628, 1661
6K0422804	0580419	SEAT	1326	6N0411315A	0181061	SEAT	1317
6K0422804	0580419	VOLKSWAGEN	1578	6N0411315A	0181061	VOLKSWAGEN	1628, 1661
6K0422804A	0580419	SEAT	1326				

RIF. ORIG. O.E. NUMBER	RIF. OCAP OCAP REF.	MARCA MAKE	PAG.	RIF. ORIG. O.E. NUMBER	RIF. OCAP OCAP REF.	MARCA MAKE	PAG.
6N0411315C	0181011	SEAT	1314	6Q0407151D	0701852	SEAT	1332
6N0411315C	0181011	VOLKSWAGEN	1628, 1661	6Q0407151D	0701852	SKODA	1362, 1386
6N0411315D	0181061	SEAT	1317	6Q0407151D	0701852	VOLKSWAGEN	1588, 1666
6N0411315D	0181061	VOLKSWAGEN	1628, 1661	6Q0407151E *	1215558	SEAT	1332
6N0411329 *	0181011-K	SEAT	1314	6Q0407151E *	1215558	SKODA	1362, 1386
6N0411329 *	0181011-K	VOLKSWAGEN	1628, 1661	6Q0407151E *	1215558	VOLKSWAGEN	1588, 1666
6N0411329 *	0181012-K	VOLKSWAGEN	1638, 1640	6Q0407151E	0701852	SEAT	1332
6N0411329 *	0181061-K	SEAT	1317	6Q0407151E	0701852	SKODA	1362, 1386
6N0411329 *	0181061-K	VOLKSWAGEN	1628, 1661	6Q0407151E	0701852	VOLKSWAGEN	1588, 1666
6N0411329 *	0181099-K	SEAT	1328	6Q0407151L *	1215558	SEAT	1332
6N0411329 *	0181099-K	VOLKSWAGEN	1598	6Q0407151L *	1215558	SKODA	1362, 1386
6N0411329 *	0181236-K	VOLKSWAGEN	1595	6Q0407151L *	1215558	VOLKSWAGEN	1588, 1666
6N0411329 *	0181897-K	SEAT	1330	6Q0407151L	0701852	SEAT	1332
6N0411329 *	0181897-K	VOLKSWAGEN	1664	6Q0407151L	0701852	SKODA	1362, 1386
6N0411329 *	0181898-K	SEAT	1330	6Q0407151L	0701852	VOLKSWAGEN	1588, 1666
6N0411329 *	0181898-K	VOLKSWAGEN	1664	6Q0407182A	1215558	SEAT	1332
6N0411329 *	0900040	VOLKSWAGEN	1598	6Q0407182A	1215558	SKODA	1362, 1386
6N0411329 *	0902415	SEAT	1328	6Q0407182A	1215558	VOLKSWAGEN	1588, 1666
6N0411329 *	0902419	VOLKSWAGEN	1598	6Q0407183	1215567	AUDI	42-43, 89
6N0411329 *	0982423	SEAT	1314	6Q0407183	1215567	SEAT	1309, 1332, 1343-1344
6N0411329 *	0982423	VOLKSWAGEN	1662	6Q0407183	1215567	SKODA	1362, 1376- 1377, 1386, 1391
6N0411329 *	0992423	SEAT	1314	6Q0407183	1215567	VOLKSWAGEN	1580-1581, 1588, 1605- 1606, 1610- 1611, 1616- 1617, 1648- 1649, 1666, 1673-1674, 1678, 1680- 1681, 1690- 1691, 1694
6N0411329 *	0992423	VOLKSWAGEN	1662	6Q0407183A	1215567	AUDI	42-43, 89
6N0411337	1249284	VOLKSWAGEN	1628	6Q0407183A	1215567	SEAT	1309, 1332, 1343-1344
6N0419803 *	0600285	SEAT	1313	6Q0407183A	1215567	SKODA	1362, 1376- 1377, 1386, 1391
6N0419803 *	0600285	VOLKSWAGEN	1659	6Q0407183A	1215567	VOLKSWAGEN	1580-1581, 1588, 1605- 1606, 1610- 1611, 1616- 1617, 1648- 1649, 1666, 1673-1674, 1678, 1680- 1681, 1690- 1691, 1694
6N0419803	0590285	SEAT	1313	6Q0407183A	0491852	SEAT	1332
6N0419803	0590285	VOLKSWAGEN	1659	6Q0407183A	0491852	SKODA	1362, 1386
6N0419804 *	0600285	SEAT	1313	6Q0407183A	0491852	VOLKSWAGEN	1588, 1666
6N0419804 *	0600285	VOLKSWAGEN	1659	6Q0407366A	0481852	SEAT	1332
6N0419804	0580285	SEAT	1313	6Q0407366A	0481852	SKODA	1362, 1386
6N0419804	0580285	VOLKSWAGEN	1659	6Q0407366A	0481852	VOLKSWAGEN	1588, 1666
6N0419811	0290871	VOLKSWAGEN	1626, 1659	6Q0411314E	1214262	SEAT	1334, 1337
6N0419812	0280871	VOLKSWAGEN	1626, 1659	6Q0411314E	1214262	SKODA	1365, 1384, 1387
6N0419831 *	0901624	SEAT	1313, 1316	6Q0411314E	1214262	VOLKSWAGEN	1668, 1670
6N0419831	1211132	SEAT	1313, 1316	6Q0411314F	1214263	SKODA	1363
6N0419831	1211132	VOLKSWAGEN	1627, 1660	6Q0411314F	1214263	VOLKSWAGEN	1668
6N0422803 *	0600286	VOLKSWAGEN	1659	6Q0411314J	1214092	AUDI	38
6N0422803	0590286	VOLKSWAGEN	1659	6Q0411314J	1214092	SEAT	1334, 1337, 1353
6N0422803C *	0603272	VOLKSWAGEN	1626, 1660	6Q0411314J	1214092	SKODA	1359, 1363, 1365, 1384
6N0422803C	0593272	SEAT	1315	6Q0411314J	1214092	VOLKSWAGEN	1588, 1668
6N0422803C	0593272	VOLKSWAGEN	1626, 1660	6Q0407365A	0491852	SEAT	1332
6N0422804 *	0600286	VOLKSWAGEN	1659	6Q0407365A	0491852	SKODA	1362, 1386
6N0422804	0580286	VOLKSWAGEN	1659	6Q0407365A	0491852	VOLKSWAGEN	1588, 1666
6N0422804C *	0603272	SEAT	1315	6Q0407366A	0481852	SEAT	1332
6N0422804C *	0603272	VOLKSWAGEN	1626, 1660	6Q0407366A	0481852	SKODA	1362, 1386
6N0422804C	0583272	SEAT	1315	6Q0407366A	0481852	VOLKSWAGEN	1588, 1666
6N0422804C	0583272	VOLKSWAGEN	1626, 1660	6Q0411314E	1214262	SEAT	1334, 1337
6N0422811	0290871	SEAT	1313, 1315	6Q0411314E	1214262	SKODA	1365, 1384, 1387
6N0422811	0290871	VOLKSWAGEN	1626, 1659	6Q0411314E	1214262	VOLKSWAGEN	1668, 1670
6N0422812	0280871	SEAT	1313, 1315	6Q0411314F	1214263	SKODA	1363
6N0422812	0280871	VOLKSWAGEN	1626, 1659	6Q0411314F	1214263	VOLKSWAGEN	1668
6N0422831 *	0901612	SEAT	1316	6Q0411314J	1214092	AUDI	38
6N0422831	1211180	SEAT	1316	6Q0411314J	1214092	SEAT	1334, 1337, 1353
6N0422831	1211180	VOLKSWAGEN	1597, 1599, 1627, 1639, 1660	6Q0411314J	1214092	SKODA	1359, 1363, 1365, 1384
6N0422803C *	0603272	SEAT	1315	6Q0411314J	1214092	VOLKSWAGEN	1588, 1668
6Q0199293D	1249651	SEAT	1332				
6Q0199293D	1249651	VOLKSWAGEN	1588, 1667				
6Q0199294D	1249650	SEAT	1332				
6Q0199294D	1249650	VOLKSWAGEN	1588, 1667				
6Q0407151D *	1215558	SEAT	1332				
6Q0407151D *	1215558	SKODA	1362, 1386				
6Q0407151D *	1215558	VOLKSWAGEN	1588, 1666				

RIF. ORIG. O.E. NUMBER	RIF. OCAP OCAP REF.	MARCA MAKE	PAG.	RIF. ORIG. O.E. NUMBER	RIF. OCAP OCAP REF.	MARCA MAKE	PAG.
			1670, 1708	6Q0411315D	0501390	SEAT	1312, 1334, 1337, 1339, 1353
6Q0411314L	1214092	AUDI	38				
6Q0411314L	1214092	SEAT	1334, 1337, 1353	6Q0411315D	0501390	SKODA	1359, 1363, 1365-1366, 1384, 1387
6Q0411314L	1214092	SKODA	1359, 1363, 1365, 1384				
6Q0411314L	1214092	VOLKSWAGEN	1588, 1668, 1670, 1708	6Q0411315D	0501390	VOLKSWAGEN	1588, 1668, 1670, 1672, 1708
6Q0411314M	1214135	AUDI	32				
6Q0411314M	1214135	SEAT	1334, 1337	6Q0411315F	0501390	AUDI	32, 35, 38
6Q0411314M	1214135	SKODA	1363, 1365, 1384	6Q0411315F	0501390	BMW	146, 148, 215
				6Q0411315F	0501390	SEAT	1312, 1334, 1337, 1339, 1353
6Q0411314M	1214135	VOLKSWAGEN	1668, 1670				
6Q0411314N	1214262	SEAT	1334, 1337	6Q0411315F	0501390	SKODA	1359, 1363, 1365-1366, 1384, 1387
6Q0411314N	1214262	SKODA	1365, 1384, 1387				
6Q0411314N	1214262	VOLKSWAGEN	1668, 1670	6Q0411315F	0501390	VOLKSWAGEN	1588, 1668, 1670, 1672, 1708
6Q0411314P	1214092	AUDI	38				
6Q0411314P	1214092	SEAT	1334, 1337, 1353	6Q0411315G	0501390	AUDI	32, 35, 38
6Q0411314P	1214092	SKODA	1359, 1363, 1365, 1384	6Q0411315G	0501390	BMW	146, 148, 215
6Q0411314P	1214092	VOLKSWAGEN	1588, 1668, 1670, 1708	6Q0411315G	0501390	SEAT	1312, 1334, 1337, 1339, 1353
6Q0411314Q	1214135	AUDI	32	6Q0411315G	0501390	SKODA	1359, 1363, 1365-1366, 1384, 1387
6Q0411314Q	1214135	SEAT	1334, 1337				
6Q0411314Q	1214135	SKODA	1363, 1365, 1384	6Q0411315G	0501390	VOLKSWAGEN	1588, 1668, 1670, 1672, 1708
6Q0411314Q	1214135	VOLKSWAGEN	1668, 1670				
6Q0411314R	1214262	SEAT	1334, 1337	6Q0411315H	0501390	AUDI	32, 35, 38
6Q0411314R	1214262	SKODA	1365, 1384, 1387	6Q0411315H	0501390	BMW	146, 148, 215
6Q0411314R	1214262	VOLKSWAGEN	1668, 1670	6Q0411315H	0501390	SEAT	1312, 1334, 1337, 1339, 1353
6Q0411315A	0501390	AUDI	32, 35, 38				
6Q0411315A	0501390	BMW	146, 148, 215	6Q0411315H	0501390	SKODA	1359, 1363, 1365-1366, 1384, 1387
6Q0411315A	0501390	SEAT	1312, 1334, 1337, 1339, 1353				
6Q0411315A	0501390	SKODA	1359, 1363, 1365-1366, 1384, 1387	6Q0411315H	0501390	VOLKSWAGEN	1588, 1668, 1670, 1672, 1708
6Q0411315A	0501390	VOLKSWAGEN	1588, 1668, 1670, 1672, 1708				
				6Q0411315J	0501390	AUDI	32, 35, 38
6Q0411315B	0501390	AUDI	32, 35, 38	6Q0411315J	0501390	BMW	146, 148, 215
6Q0411315B	0501390	BMW	146, 148, 215	6Q0411315J	0501390	SEAT	1312, 1334, 1337, 1339, 1353
6Q0411315B	0501390	SEAT	1312, 1334, 1337, 1339, 1353				
6Q0411315B	0501390	SKODA	1359, 1363, 1365-1366, 1384, 1387	6Q0411315J	0501390	SKODA	1359, 1363, 1365-1366, 1384, 1387
6Q0411315B	0501390	VOLKSWAGEN	1588, 1668, 1670, 1672, 1708				
				6Q0419803D	0599237	SKODA	1360
6Q0411315C	0501390	AUDI	32, 35, 38	6Q0419803D	0599237	VOLKSWAGEN	1665
6Q0411315C	0501390	BMW	146, 148, 215	6Q0419803F *	0609237	SKODA	1360
6Q0411315C	0501390	SEAT	1312, 1334, 1337, 1339, 1353	6Q0419803F *	0609237	VOLKSWAGEN	1665
				6Q0419803F	0599237	SKODA	1360
6Q0411315C	0501390	SKODA	1359, 1363, 1365-1366, 1384, 1387	6Q0419803F	0599237	VOLKSWAGEN	1665
				6Q0419804D	0589237	SKODA	1360
6Q0411315C	0501390	VOLKSWAGEN	1588, 1668, 1670, 1672, 1708	6Q0419804D	0589237	VOLKSWAGEN	1665
				6Q0419804F *	0609237	SKODA	1360
6Q0411315D	0501390	AUDI	32, 35, 38	6Q0419804F *	0609237	VOLKSWAGEN	1665
6Q0411315D	0501390	BMW	146, 148, 215	6Q0419804F	0589237	SKODA	1360
				6Q0419804F	0589237	VOLKSWAGEN	1665
				6Q0419811C	0291850	AUDI	36
				6Q0419811C	0291850	SEAT	1331, 1335
				6Q0419811C	0291850	SKODA	1360-1361,

RIF. ORIG. O.E. NUMBER	RIF. OCAP OCAP REF.	MARCA MAKE	PAG.	RIF. ORIG. O.E. NUMBER	RIF. OCAP OCAP REF.	MARCA MAKE	PAG.
			1364, 1366, 1383, 1385	6Q0423810C *	0603885	SKODA	1360, 1385
6Q0419811C	0291850	VOLKSWAGEN	1587, 1665- 1666, 1669	6Q0423810C *	0603885	VOLKSWAGEN	1587, 1665
6Q0419812C	0281850	AUDI	36	6Q0423811	0291850	AUDI	36
6Q0419812C	0281850	SEAT	1331, 1335	6Q0423811	0291850	SEAT	1331, 1335
6Q0419812C	0281850	SKODA	1360-1361, 1364, 1366, 1383, 1385	6Q0423811	0291850	SKODA	1360-1361, 1364, 1366, 1383, 1385
6Q0419812C	0281850	VOLKSWAGEN	1587, 1665- 1666, 1669	6Q0423811	0291850	VOLKSWAGEN	1587, 1665- 1666, 1669
6Q0419831A	1211412	SKODA	1361	6Q0423811A	0291850	AUDI	36
6Q0419831A	1211412	VOLKSWAGEN	1666	6Q0423811A	0291850	SEAT	1331, 1335
6Q0423803B	0591850	SEAT	1331	6Q0423811A	0291850	SKODA	1360-1361, 1364, 1366, 1383, 1385
6Q0423803B	0591850	SKODA	1360	6Q0423811A	0291850	VOLKSWAGEN	1587, 1665- 1666, 1669
6Q0423803B	0591850	VOLKSWAGEN	1665	6Q0423811C	0291850	AUDI	36
6Q0423803C	0593885	SEAT	1331	6Q0423811C	0291850	SEAT	1331, 1335
6Q0423803C	0593885	SKODA	1360, 1385	6Q0423811C	0291850	SKODA	1360-1361, 1364, 1366, 1383, 1385
6Q0423803C	0593885	VOLKSWAGEN	1587, 1665	6Q0423811C	0291850	VOLKSWAGEN	1587, 1665- 1666, 1669
6Q0423803E *	0603884	SEAT	1331	6Q0423811D	0291850	AUDI	36
6Q0423803E *	0603884	SKODA	1361, 1364, 1385	6Q0423811D	0291850	SEAT	1331, 1335
6Q0423803E *	0603884	VOLKSWAGEN	1587, 1666	6Q0423811D	0291850	SKODA	1360-1361, 1364, 1366, 1383, 1385
6Q0423803E	0593884	SEAT	1331	6Q0423811D	0291850	VOLKSWAGEN	1587, 1665- 1666, 1669
6Q0423803E	0593884	SKODA	1361, 1364, 1385	6Q0423812	0281850	AUDI	36
6Q0423803E	0593884	VOLKSWAGEN	1587, 1666	6Q0423812	0281850	SEAT	1331, 1335
6Q0423803F	0592316	SKODA	1385	6Q0423812	0281850	SKODA	1360-1361, 1364, 1366, 1383, 1385
6Q0423803F	0592316	VOLKSWAGEN	1587	6Q0423812	0281850	VOLKSWAGEN	1587, 1665- 1666, 1669
6Q0423803G *	0603885	SEAT	1331	6Q0423812A	0281850	AUDI	36
6Q0423803G *	0603885	SKODA	1360, 1385	6Q0423812A	0281850	SEAT	1331, 1335
6Q0423803G *	0603885	VOLKSWAGEN	1587, 1665	6Q0423812A	0281850	SKODA	1360-1361, 1364, 1366, 1383, 1385
6Q0423803G	0593885	SEAT	1331	6Q0423812A	0281850	VOLKSWAGEN	1587, 1665- 1666, 1669
6Q0423803G	0593885	SKODA	1360, 1385	6Q0423812C	0281850	AUDI	36
6Q0423803G	0593885	VOLKSWAGEN	1587, 1665	6Q0423812C	0281850	SEAT	1331, 1335
6Q0423803P	0593884	SEAT	1331	6Q0423812C	0281850	SKODA	1360-1361, 1364, 1366, 1383, 1385
6Q0423803P	0593884	SKODA	1361, 1364, 1385	6Q0423812C	0281850	VOLKSWAGEN	1587, 1665- 1666, 1669
6Q0423803P	0593884	VOLKSWAGEN	1587, 1666	6Q0423812D	0281850	AUDI	36
6Q0423804B	0581850	SEAT	1331	6Q0423812D	0281850	SEAT	1331, 1335
6Q0423804B	0581850	SKODA	1360	6Q0423812D	0281850	SKODA	1360-1361, 1364, 1366, 1383, 1385
6Q0423804B	0581850	VOLKSWAGEN	1665	6Q0423812D	0281850	VOLKSWAGEN	1587, 1665- 1666, 1669
6Q0423804C	0583885	SEAT	1331	6Q0423812D	0281850	AUDI	36
6Q0423804C	0583885	SKODA	1360, 1385	6Q0423812D	0281850	SEAT	1331, 1335
6Q0423804C	0583885	VOLKSWAGEN	1587, 1665	6Q0423812D	0281850	SKODA	1360-1361, 1364, 1366, 1383, 1385
6Q0423804E *	0603884	SEAT	1331	6Q0423812D	0281850	VOLKSWAGEN	1587, 1665- 1666, 1669
6Q0423804E *	0603884	SKODA	1361, 1364, 1385	6Q0423831 *	0901804	AUDI	37
6Q0423804E *	0603884	VOLKSWAGEN	1587, 1666	6Q0423831	1211349	AUDI	37
6Q0423804E	0583884	SEAT	1331	6Q0423831A	1211412	SEAT	1331
6Q0423804E	0583884	SKODA	1361, 1364, 1385	6Q0423831D	1211411	AUDI	31, 37
6Q0423804E	0583884	VOLKSWAGEN	1587, 1666	6Q0423831D	1211411	SEAT	1331, 1335
6Q0423804F	0582316	SKODA	1385	6Q0423831D	1211411	SKODA	1361, 1364, 1383, 1385
6Q0423804F	0582316	VOLKSWAGEN	1587	6Q0423831D	1211411	VOLKSWAGEN	1587, 1666, 1669
6Q0423804G *	0603885	SEAT	1331	6R0407151 *	0795342	SEAT	1333
6Q0423804G *	0603885	SKODA	1360, 1385				
6Q0423804G *	0603885	VOLKSWAGEN	1587, 1665				
6Q0423804G	0583885	SEAT	1331				
6Q0423804G	0583885	SKODA	1360, 1385				
6Q0423804G	0583885	VOLKSWAGEN	1587, 1665				
6Q0423804P	0583884	SEAT	1331				
6Q0423804P	0583884	SKODA	1361, 1364, 1385				
6Q0423804P	0583884	VOLKSWAGEN	1587, 1666				
6Q0423810C *	0603885	SEAT	1331				

RIF. ORIG. O.E. NUMBER	RIF. OCAP OCAP REF.	MARCA MAKE	PAG.		RIF. ORIG. O.E. NUMBER	RIF. OCAP OCAP REF.	MARCA MAKE	PAG.
6R0407151 *	0795342	SKODA	1363, 1365, 1387		6R0407152F	0785341	VOLKSWAGEN	1669
6R0407151 *	0795342	VOLKSWAGEN	1668		6R0407181B	1216035	AUDI	31, 39, 97
6R0407151	0793272	SEAT	1333		6R0407181B	1216035	SEAT	1333, 1335, 1341, 1352
6R0407151	0793272	SKODA	1362, 1386	1364,	6R0407181B	1216035	SKODA	1359, 1363, 1365-1366, 1374, 1384, 1387
6R0407151	0793272	VOLKSWAGEN	1667		6R0407181B	1216035	VOLKSWAGEN	1576, 1602, 1630, 1668, 1670, 1707
6R0407151A	0795341	AUDI	32		6R0407365	0495341	AUDI	31-32
6R0407151A	0795341	SEAT	1336		6R0407365	0495341	SEAT	1333, 1335-1336, 1352
6R0407151B *	0792283	AUDI	32		6R0407365	0495341	SKODA	1358, 1362, 1364, 1366, 1383, 1386
6R0407151B *	0792283	SEAT	1336		6R0407365	0495341	VOLKSWAGEN	1667, 1669, 1707
6R0407151B	0792282	AUDI	31		6R0407365A	0495341	AUDI	31-32
6R0407151B	0792282	SEAT	1335		6R0407365A	0495341	SEAT	1333, 1335-1336, 1352
6R0407151C *	0792283	AUDI	32		6R0407365A	0495341	SKODA	1358, 1362, 1364, 1366, 1383, 1386
6R0407151C *	0792283	SEAT	1336		6R0407365A	0495341	VOLKSWAGEN	1667, 1669, 1707
6R0407151C	0792282	AUDI	31		6R0407365A	0495341	AUDI	31-32
6R0407151C	0792282	SEAT	1335		6R0407365A	0495341	SEAT	1333, 1335-1336, 1352
6R0407151E *	0795342	SEAT	1333		6R0407365A	0495341	SKODA	1358, 1362, 1364, 1366, 1383, 1386
6R0407151E *	0795342	SKODA	1363, 1387	1365,	6R0407365A	0495341	VOLKSWAGEN	1667, 1669, 1707
6R0407151E *	0795342	VOLKSWAGEN	1668		6R0407366	0485341	AUDI	31-32
6R0407151E	0793272	SEAT	1333		6R0407366	0485341	SEAT	1333, 1335-1336, 1352
6R0407151E	0793272	SKODA	1362, 1386	1364,	6R0407366	0485341	SKODA	1358, 1362, 1364, 1366, 1383, 1386
6R0407151E	0793272	VOLKSWAGEN	1667		6R0407366	0485341	VOLKSWAGEN	1667, 1669, 1707
6R0407151F *	0796489	AUDI	32		6R0407366A	0485341	AUDI	31-32
6R0407151F *	0796489	SEAT	1336		6R0407366A	0485341	SEAT	1333, 1335-1336, 1352
6R0407151F *	0796489	SKODA	1366, 1384		6R0407366A	0485341	SKODA	1358, 1362, 1364, 1366, 1383, 1386
6R0407151F *	0796489	VOLKSWAGEN	1670		6R0407366A	0485341	VOLKSWAGEN	1667, 1669, 1707
6R0407151F	0795341	AUDI	32		6R0407366A	0485341	AUDI	31-32
6R0407151F	0795341	SEAT	1336		6R0407366A	0485341	SEAT	1333, 1335-1336, 1352
6R0407151F	0795341	SKODA	1366, 1383		6R0407366A	0485341	SKODA	1358, 1362, 1364, 1366, 1383, 1386
6R0407151F	0795341	VOLKSWAGEN	1669		6R0407366A	0485341	VOLKSWAGEN	1667, 1669, 1707
6R0407152 *	0785342	SEAT	1333		6R0411315	0501390	AUDI	32, 35, 38
6R0407152 *	0785342	SKODA	1363, 1387	1365,	6R0411315	0501390	BMW	146, 148, 215
6R0407152 *	0785342	VOLKSWAGEN	1668		6R0411315	0501390	SEAT	1312, 1334, 1337, 1339, 1353
6R0407152	0783272	SEAT	1333		6R0411315	0501390	SKODA	1359, 1363, 1365-1366, 1384, 1387
6R0407152	0783272	SKODA	1362, 1386	1364,	6R0411315	0501390	VOLKSWAGEN	1588, 1668, 1670, 1672, 1708
6R0407152	0783272	VOLKSWAGEN	1667		6R0419812	0281850	AUDI	36
6R0407152A	0785341	AUDI	32		6R0419812	0281850	SEAT	1331, 1335
6R0407152A	0785341	SEAT	1336		6R0419812	0281850	SKODA	1360-1361, 1364, 1366, 1383, 1385
6R0407152B *	0782283	AUDI	32		6R0419812	0281850	VOLKSWAGEN	1587, 1665-1666, 1669
6R0407152B *	0782283	SEAT	1336		6R0423803	0595342	SEAT	1335
6R0407152B	0782282	AUDI	31		6R0423803	0595342	VOLKSWAGEN	1669
6R0407152B	0782282	SEAT	1335		6R0423803A *	0602283	AUDI	31, 36
6R0407152C *	0782283	AUDI	32		6R0423803A *	0602283	SEAT	1335
6R0407152C *	0782283	SEAT	1336		6R0423803A *	0602283	SKODA	1383
6R0407152C	0782282	AUDI	31		6R0423803A *	0602283	VOLKSWAGEN	1669
6R0407152C	0782282	SEAT	1335		6R0423803A	0595342	SEAT	1335
6R0407152E *	0785342	SEAT	1333					
6R0407152E *	0785342	SKODA	1363, 1387	1365,				
6R0407152E *	0785342	VOLKSWAGEN	1668					
6R0407152E	0783272	SEAT	1333					
6R0407152E	0783272	SKODA	1362, 1386	1364,				
6R0407152E	0783272	VOLKSWAGEN	1667					
6R0407152F *	0786489	AUDI	32					
6R0407152F *	0786489	SEAT	1336					
6R0407152F *	0786489	SKODA	1366, 1384					
6R0407152F *	0786489	VOLKSWAGEN	1670					
6R0407152F	0785341	AUDI	32					
6R0407152F	0785341	SEAT	1336					
6R0407152F	0785341	SKODA	1366, 1383					

RIF. ORIG. O.E. NUMBER	RIF. OCAP OCAP REF.	MARCA MAKE	PAG.	RIF. ORIG. O.E. NUMBER	RIF. OCAP OCAP REF.	MARCA MAKE	PAG.
6R0423803A	0595342	SKODA	1383	6X0419803A	0591060	VOLKSWAGEN	1626, 1659
6R0423803A	0595342	VOLKSWAGEN	1669	6X0419804A *	0601060	SEAT	1315
6R0423803D	0595341	AUDI	31	6X0419804A *	0601060	VOLKSWAGEN	1626, 1659
6R0423804	0585342	SEAT	1335	6X0419804A	0581060	SEAT	1315
6R0423804	0585342	VOLKSWAGEN	1669	6X0419804A	0581060	VOLKSWAGEN	1626, 1659
6R0423804A *	0602283	AUDI	31, 36	6X0422803 *	0601058	SEAT	1315, 1331
6R0423804A *	0602283	SEAT	1335	6X0422803 *	0601058	SKODA	1360
6R0423804A *	0602283	SKODA	1383	6X0422803 *	0601058	VOLKSWAGEN	1626, 1660, 1665
6R0423804A *	0602283	VOLKSWAGEN	1669	6X0422803	0591058	SEAT	1315
6R0423804A	0585342	SEAT	1335	6X0422803	0591058	VOLKSWAGEN	1626, 1660
6R0423804A	0585342	SKODA	1383	6X0422804 *	0601058	SEAT	1315, 1331
6R0423804A	0585342	VOLKSWAGEN	1669	6X0422804 *	0601058	SKODA	1360
6R0423804D	0585341	AUDI	31	6X0422804 *	0601058	VOLKSWAGEN	1626, 1660, 1665
6R0423811	0291850	AUDI	36	6X0422804	0581058	SEAT	1315
6R0423811	0291850	SEAT	1331, 1335	6X0422804	0581058	VOLKSWAGEN	1626, 1660
6R0423811	0291850	SKODA	1360-1361, 1364, 1366, 1383, 1385	6X0422811	0291059	SEAT	1315
6R0423811	0291850	VOLKSWAGEN	1587, 1665- 1666, 1669	6X0422811	0291059	VOLKSWAGEN	1626, 1660
6R0423811A	0283086	AUDI	31	6X0422812	0281059	SEAT	1315
6R0423812A	0293086	AUDI	31	6X0422812	0281059	VOLKSWAGEN	1626, 1660
6R0501541A *	0903137	AUDI	41, 98	7001V006000000	0701841	SMART	1399
6R0501541A *	0903137	SEAT	1334, 1337, 1342	701407077	1215660	VOLKSWAGEN	1702, 1704
6R0501541A *	0903137	SKODA	1363, 1365, 1375, 1384, 1387	701407077A	1215660	VOLKSWAGEN	1702, 1704
6R0501541A *	0903137	VOLKSWAGEN	1577, 1589, 1604, 1631, 1668, 1670	701407087	1215659	VOLKSWAGEN	1700
6R0501541A	1215200	AUDI	41, 98	701407140B	1215663	VOLKSWAGEN	1702, 1704
6R0501541A	1215200	SEAT	1334, 1337, 1342	701407140C	1215663	VOLKSWAGEN	1702, 1704
6R0501541A	1215200	SKODA	1363, 1365, 1375, 1384, 1387	701407183C	1215661	VOLKSWAGEN	1702, 1704
6R0501541A	1215200	VOLKSWAGEN	1577, 1589, 1604, 1631, 1668, 1670	701407187A	0401409	VOLKSWAGEN	1702, 1704
6R0501541B	1215200	AUDI	41, 98	701407187B	0401409	VOLKSWAGEN	1702, 1704
6R0501541B	1215200	SEAT	1334, 1337, 1342	701407361B	0401410	VOLKSWAGEN	1702, 1704
6R0501541B	1215200	SKODA	1363, 1365, 1375, 1384, 1387	701411041	1214105	VOLKSWAGEN	1702, 1704
6R0501541B	1215200	VOLKSWAGEN	1577, 1589, 1604, 1631, 1668, 1670	701411041D	1214270	VOLKSWAGEN	1702, 1704
6R0505223	0798689	AUDI	33	701411045	1214109	VOLKSWAGEN	1702, 1704
6R0505224	0788689	AUDI	33	701411049	0501443	VOLKSWAGEN	1702, 1704
6U0407151A	0794168	SKODA	1368	701411049B *	1215671	VOLKSWAGEN	1702, 1704
6U0407151B	0790231	SKODA	1367	701411049B	0503864	VOLKSWAGEN	1702, 1704
6U0407152A	0784168	SKODA	1368	701419803C *	0601406	VOLKSWAGEN	1701, 1703
6U0407152B	0780231	SKODA	1367	701419803C	0591405	VOLKSWAGEN	1701
6U0407182	1215232	SKODA	1367, 1397- 1398	701419803D	0591407	VOLKSWAGEN	1701
6U0407365	0400140	SKODA	1367, 1397- 1398	701419803E	0591411	VOLKSWAGEN	1703
6U0422807	0601478	SKODA	1367	701419804C *	0601412	VOLKSWAGEN	1701, 1703
6U0422811	0280182	SKODA	1367, 1397	701419804C	0581405	VOLKSWAGEN	1701
6U6411315	0181061	SKODA	1368	701419804D	0581407	VOLKSWAGEN	1701
6X0407151A	0701062	SEAT	1316	701419804E	0581411	VOLKSWAGEN	1703
6X0407151A	0701062	VOLKSWAGEN	1627, 1662	701419804F	0581413	VOLKSWAGEN	1703
6X0419803A *	0601060	SEAT	1315	701419811A	0291405	VOLKSWAGEN	1701
6X0419803A *	0601060	VOLKSWAGEN	1626, 1659	701419811B	0291407	VOLKSWAGEN	1701
6X0419803A	0591060	SEAT	1315	701419811C	0291411	VOLKSWAGEN	1703
				701419811E	0291413	VOLKSWAGEN	1703
				701419812	0281405	VOLKSWAGEN	1701
				701419812A	0281407	VOLKSWAGEN	1701
				701419812B	0281411	VOLKSWAGEN	1703
				701419812D	0281413	VOLKSWAGEN	1703
				7014210 *	0181534-K	FORD	465
				7014210	0181534	FORD	465
				701501131	1215662	VOLKSWAGEN	1702, 1704
				702419803A	0591406	VOLKSWAGEN	1701
				702419803C	0591412	VOLKSWAGEN	1703
				702419803D	0591413	VOLKSWAGEN	1703
				702419804A	0581406	VOLKSWAGEN	1701
				702419804C	0581412	VOLKSWAGEN	1703
				7074037	0600410	AUTOBIANCHI	125, 127
				7074037	0600410	FIAT	363, 375, 402, 405, 407

RIF. ORIG. O.E. NUMBER	RIF. OCAP OCAP REF.	MARCA MAKE	PAG.	RIF. ORIG. O.E. NUMBER	RIF. OCAP OCAP REF.	MARCA MAKE	PAG.
7074037	0600410	INNOCENTI	576	71742190 *	0902633	FIAT	390
7074037	0600410	PIAGGIO	1156	71742291 *	0902635	FIAT	391
7074037	0600410	SEAT	1323, 1350	71742291	1215821	FIAT	391
7075793	1211060	INNOCENTI	576	71742292 *	0902635	FIAT	391
7076231	0601186	FIAT	364	71742688	0501376	ALFA ROMEO	27
7076231	0601186	INNOCENTI	576	71742688	0501376	FIAT	390
7077206	0601188	FIAT	364	71742688	0501376	SUZUKI	1432, 1437-1438
7077206	0601188	INNOCENTI	576				
7079340 *	1211380	FIAT	371	71742689 *	0902633	FIAT	390
7079340	0901448	FIAT	371	71742731	0782632	FIAT	390
7079382	0601908	FIAT	371	71742731	0782632	SUZUKI	1438
7079383	0600476	FIAT	371	71742732	0792632	FIAT	390
7079388	0600476	FIAT	371	71742732	0792632	SUZUKI	1438
7081842	0601445	FIAT	373, 394	71742733	1215818	FIAT	390
7081850 *	1211383	FIAT	371	71742733	1215818	SUZUKI	1438
7081850	0901644	FIAT	353, 371, 373, 394	71742757	1211462	FIAT	390
				71742770	0282631	FIAT	390
7081851	0601444	FIAT	373, 394	71742770	0282631	SUZUKI	1429, 1438
7081887	0401450	FIAT	372	71746346	1214114	FIAT	351
7082812	0401447	FIAT	354-355, 372, 374, 394	71746971 *	0902634	FIAT	391
				71746971	1215820	FIAT	391
7102644	0781715	FORD	431	71747915	0390036	FIAT	341, 396
7102645	0791715	FORD	431	71747915	0390036	LANCIA	653, 658
71243896	0404043	TALBOT	1444	71747916	0380036	FIAT	341, 396
71243899	0504040	TALBOT	1444	71747916	0380036	LANCIA	653, 658
71277312	0404043	TALBOT	1444	71750067	0282631	FIAT	390
7144202	1214104	FORD	423, 465, 467	71750067	0282631	SUZUKI	1429, 1438
7144204	1214103	FORD	465, 467	7178656	0280702	INNOCENTI	577
7152269	0780854	FORD	435	7178656	0280702	ROVER GROUP	1274, 1278, 1280
7152270	0780943	FORD	435				
7152271	0790854	FORD	435	7178656	0280702	VAUXHALL	1569
7152272	0790943	FORD	435	71803699	0404042	TALBOT	1444
7152276 *	0400949	FORD	434	7198152	0404101	VAUXHALL	1569
7152276	0780949	FORD	434	71BB3289AB	0282003	FORD	426
7152277	0780964	FORD	434	7200946	0403972	FORD	451
7152278	0780940	FORD	433	7200957	1214094	FORD	452
7152279 *	0400949	FORD	434	7200959	0503974	FORD	452
7152279	0790949	FORD	434	7200959	0503974	SEAT	1307
7152280	0790964	FORD	434	7200959	0503974	VOLKSWAGEN	1676
7152281	0790940	FORD	433	7201717	1215216	FORD	451-452
7158017	0404101	VAUXHALL	1569	7210-60380	0783604	SUBARU	1414
71737047	0391184	CITROEN	292	7210-60520	0783604	SUBARU	1414
71737047	0391184	FIAT	387-388, 398	7210-60530	0793604	SUBARU	1414
71737047	0391184	LANCIA	674	7210-60560	0783604	SUBARU	1414
71737047	0391184	PEUGEOT	1150	7210-60570	0793604	SUBARU	1414
71737048	0381184	CITROEN	292	7210-67000	0402515	SUBARU	1420-1421
71737048	0381184	FIAT	387-388, 398	7210-67001	0402515	SUBARU	1420-1421
71737048	0381184	LANCIA	674	7210-67002	0402515	SUBARU	1420-1421
71737048	0381184	PEUGEOT	1150	7210-67003	0402515	SUBARU	1420-1421
71738285	0390386	ALFA ROMEO	2, 4-5, 8, 27	7210-67020	0403594	SUBARU	1414-1415
71738285	0390386	FIAT	341, 347, 369	7210-67021	0403594	SUBARU	1414-1415
71738285	0390386	LANCIA	659	7210-67022	0403594	SUBARU	1414-1415
71738286	0380386	ALFA ROMEO	2, 4-5, 8, 27	7216507	0404101	VAUXHALL	1569
71738286	0380386	FIAT	341, 347, 369	7230373	0181882-K	FORD	423, 465, 467
71738286	0380386	LANCIA	659	7243564	0281712	FORD	430
71740107	1215638	FIAT	351	7243565	0291712	FORD	430
71740107	1215638	OPEL	1064	7260111	0502239	FORD	479
71740107	1215638	SAAB	1299	7294415	0600392	FORD	464
71740107	1215638	VAUXHALL	1568	7294416	0603968	FORD	463-464, 466
71740109	1214114	FIAT	351	7294416	0603968	MAZDA	746
71740112	0504375	FIAT	352	72MU3304A	0500646	FORD	421
71740113	1214247	FIAT	352	7313-10010	0602514	SUBARU	1420
71741553 *	0902635	FIAT	391	7313-10140	0603593	SUBARU	1414
71741676 *	0902633	FIAT	390	7313-20000	0282512	SUBARU	1420
71741691 *	0902634	FIAT	391	7313-20010	0282513	SUBARU	1420

RIF. ORIG. O.E. NUMBER	RIF. OCAP OCAP REF.	MARCA MAKE	PAG.	RIF. ORIG. O.E. NUMBER	RIF. OCAP OCAP REF.	MARCA MAKE	PAG.
7313-20020	0283592	SUBARU	1414	7567283	0390565	FIAT	358
7317075 *	0600303	GENERAL MOTORS	500	7567283	0390565	PEUGEOT	1078
7317076	0180302	GENERAL MOTORS	500	7567284 *	0901528	CITROEN	280
7329356	0400755	GENERAL MOTORS	500	7567284	0400096	CITROEN	280
7329356	0400755	OPEL	1040	7567284	0400096	FIAT	358
7329356	0400755	VAUXHALL	1552	7567284	0400096	PEUGEOT	1078
7329482	0400333	GENERAL MOTORS	500	7576731	0380406	CITROEN	280
7329559	0180302	GENERAL MOTORS	500	7576731	0380406	FIAT	358
7333318 *	0600303	GENERAL MOTORS	500	7576731	0380406	PEUGEOT	1078
7333414	0180302	GENERAL MOTORS	500	7576732	0390406	CITROEN	280
7334301	0400755	GENERAL MOTORS	500	7576732	0390406	FIAT	358
7334301	0400755	OPEL	1040	7576732	0390406	PEUGEOT	1078
7334301	0400755	VAUXHALL	1552	7583243 *	0901175	FIAT	386
7334616	0400333	GENERAL MOTORS	500	7583243	1211074	FIAT	386
7334620	0400755	GENERAL MOTORS	500	7583243	1211074	INNOCENTI	576
7334620	0400755	OPEL	1040	7583243	1211074	LANCIA	655
7334620	0400755	VAUXHALL	1552	7585137	0700575	AUTOBIANCHI	127
7351747	0781715	FORD	431	7591215	0280289	ALFA ROMEO	3, 5, 7, 26
7351748	0791715	FORD	431	7591215	0280289	FIAT	340, 346, 395
73666	0180647	FORD	421	7591215	0280289	LANCIA	652, 658-659
7372162	0282400	SAAB	1295	7591216	0290289	ALFA ROMEO	3, 5, 7, 26
73767	0600646	FORD	421	7591216	0290289	FIAT	340, 346, 395
7396830	1215215	FORD	451	7591216	0290289	LANCIA	652, 658-659
7396830	1215215	SEAT	1307	7591277	0300005	FIAT	363
7396830	1215215	VOLKSWAGEN	1676	7591300	0280298	AUTOBIANCHI	125
7398680	1211183	FORD	451	7591300	0280298	FIAT	402, 405
7398680	1211183	SEAT	1307	7591300	0280298	SEAT	1323
7398680	1211183	VOLKSWAGEN	1676	7591300	0280441	FIAT	339, 380, 382, 404
7500707 *	0901072	FIAT	363, 386	7591300	0280441	LANCIA	670
7524715	0281614	FIAT	364	7592476	1215381	AUTOBIANCHI	127
7524715	0281614	INNOCENTI	576	7592476	1215381	FIAT	376
7535188 *	0305763	FIAT	408	7601057	0390014	FIAT	395
7535188 *	0305763	SEAT	1324, 1354	7601057	0390014	LANCIA	652
7535188	0300003	FIAT	408	7601062	0380014	FIAT	395
7535188	0300003	SEAT	1324, 1354	7601062	0380014	LANCIA	652
7535188	0300004	FIAT	386	7601064	1215026	FIAT	341, 395-396
7543028	0280030	FIAT	363	7601064	1215026	LANCIA	652-653, 658-659
7543760	0300005	FIAT	363	7601065	1215028	ALFA ROMEO	2, 4-5, 8, 27
7544738 *	0901072	FIAT	363, 386	7601065	1215028	FIAT	341, 347, 369, 395-396
7545160	1211062	FIAT	340, 346, 395	7601065	1215028	LANCIA	652-653, 658-659
7545270	0282105	LANCIA	655	7601068	1215027	ALFA ROMEO	2, 4-5, 8, 27
75472408 *	0905343	CITROEN	271	7601068	1215027	FIAT	341, 347, 369, 395-396
75472408	0902332	CITROEN	254	7601068	1215027	LANCIA	652-653, 658-659
7548992	1215382	AUTOBIANCHI	127	7601261	0300404	AUTOBIANCHI	127
7548992	1215382	FIAT	376	7601261	0300404	FIAT	376
75492433	0501122	CITROEN	299	7601642 *	0181304-K	ALFA ROMEO	15
75492433	0501122	PEUGEOT	1088, 1138	7601642 *	0181304-K	FIAT	350
75492433	0501122	TALBOT	1446, 1449	7601642 *	0181304-K	LANCIA	668
75492458	0400564	CITROEN	246	7601642	1215243	ALFA ROMEO	27
75492489	0400563	CITROEN	246	7601642	1215243	FIAT	341, 347, 350, 396
75492569	0590625	CITROEN	283-284	7601642	1215243	LANCIA	653, 658-659, 668
75492570	0580625	CITROEN	283-284	7601643 *	0181304-K	ALFA ROMEO	15
7550273 *	0901072	FIAT	363, 386	7601643 *	0181304-K	FIAT	350
75517073	0400615	CITROEN	287	7601643 *	0181304-K	LANCIA	668
75517078 *	0901678	CITROEN	282, 284	7601647 *	0181142-K	ALFA ROMEO	2, 4, 6, 8, 27
75522015	0400615	CITROEN	287	7601647 *	0181142-K	FIAT	341, 347, 396
7558961	1214005	FIAT	363, 386, 408	7601647 *	0181142-K	LANCIA	653, 658-659
7558961	1214005	SEAT	1324, 1354	7601647 *	0181142-K	ALFA ROMEO	2, 4, 6, 8, 27
7558962	0300004	FIAT	386	7601647 *	0181142-K	LANCIA	653, 658-659
7563151	1215364	FIAT	401	7601647	0181142	ALFA ROMEO	2, 4, 6, 8, 27
7566840	1211061	FIAT	395				
7567282	0380565	CITROEN	280				
7567282	0380565	FIAT	358				
7567282	0380565	PEUGEOT	1078				
7567283	0390565	CITROEN	280				

RIF. ORIG. O.E. NUMBER	RIF. OCAP OCAP REF.	MARCA MAKE	PAG.	RIF. ORIG. O.E. NUMBER	RIF. OCAP OCAP REF.	MARCA MAKE	PAG.
7601647	0181142	FIAT	341, 347, 396	7700307343	0583812	NISSAN	939
7601647	0181142	LANCIA	653, 658-659	7700307343	0583812	OPEL	1050
7603476	1215379	FIAT	401	7700307343	0583812	RENAULT	1210
7633721	0600411	FIAT	385, 395, 400, 410	7700307343	0583812	VAUXHALL	1561
7633721	0600411	LANCIA	652, 655	7700309070	0593812	NISSAN	939
7636995	0390177	FIAT	345	7700309070	0593812	OPEL	1050
7636996	0380177	FIAT	345	7700309070	0593812	RENAULT	1210
7645160	1211062	LANCIA	652, 658-659	7700309070	0593812	VAUXHALL	1561
7658273	0600179	FIAT	345	7700309071	0583812	NISSAN	939
7669756	0280297	FIAT	345, 385	7700309071	0583812	NISSAN	939
7669756	0280297	SEAT	1325	7700309071	0583812	OPEL	1050
7673581	1215029	FIAT	339, 345, 380, 401	7700309071	0583812	RENAULT	1210
7673581	1215029	LANCIA	670	7700309071	0583812	VAUXHALL	1561
7673582	1215030	FIAT	345, 401	7700309189	0391494	NISSAN	939
7674701	1215312	FIAT	364, 408	7700309189	0391494	OPEL	1049
7674701	1215312	INNOCENTI	576	7700309189	0391494	RENAULT	1209
7674701	1215312	SEAT	1324, 1354	7700309189	0391494	VAUXHALL	1561
7674825	0301174	FIAT	364	7700309190	0381494	NISSAN	939
7674825	0301174	INNOCENTI	576	7700309190	0381494	OPEL	1049
7678717	0280289	ALFA ROMEO	3, 5, 7, 26	7700309190	0381494	RENAULT	1209
7678717	0280289	FIAT	340, 346, 395	7700309190	0381494	VAUXHALL	1561
7678717	0280289	LANCIA	652, 658-659	7700312851	0401522	NISSAN	939
7678718	0290289	ALFA ROMEO	3, 5, 7, 26	7700312851	0401522	OPEL	1050
7678718	0290289	FIAT	340, 346, 395	7700312851	0401522	RENAULT	1210
7678718	0290289	LANCIA	652, 658-659	7700312851	0401522	VAUXHALL	1561
7690960	0280389	FIAT	364, 395	7700313944	0793209	NISSAN	941, 970
7690960	0280389	INNOCENTI	576	7700313944	0793209	RENAULT	1186, 1200, 1263
7693816	0280468	FIAT	363	7700313945	0783209	NISSAN	941, 970
7693816	0280468	INNOCENTI	576	7700313945	0783209	RENAULT	1186, 1200, 1263
7695185 *	1214022	CITROEN	280	7700314855	1214259	RENAULT	1200
7695185 *	1214022	FIAT	358	7700413493	0393017	RENAULT	1203
7695185 *	1214022	PEUGEOT	1078	7700413494	0383017	RENAULT	1203
7695185	0380565	CITROEN	280	7700418941	1215313	NISSAN	941, 970
7695185	0380565	FIAT	358	7700418941	1215313	RENAULT	1186-1187, 1200, 1263, 1272
7695185	0380565	PEUGEOT	1078	7700420032	0793209	NISSAN	941, 970
7695186	0390565	CITROEN	280	7700420032	0793209	RENAULT	1186, 1200, 1263
7695186	0390565	FIAT	358	7700420033	0783209	NISSAN	941, 970
7695186	0390565	PEUGEOT	1078	7700420033	0783209	RENAULT	1186, 1200, 1263
7695190	0380406	CITROEN	280	7700424399	1215313	NISSAN	941, 970
7695190	0380406	FIAT	358	7700424399	1215313	RENAULT	1186-1187, 1200, 1263, 1272
7695190	0380406	PEUGEOT	1078	7700425227	0793209	NISSAN	941, 970
7695191	0390406	CITROEN	280	7700425227	0793209	RENAULT	1186, 1200, 1263
7695191	0390406	FIAT	358	7700425228	0783209	NISSAN	941, 970
7695191	0390406	PEUGEOT	1078	7700425228	0783209	RENAULT	1186, 1200, 1263
7700064	1211190	FIAT	345	7700425724	0791365	RENAULT	1216, 1254
7700302114	0401523	RENAULT	1210	7700425725	0781365	RENAULT	1216, 1254
7700302115	1216063	NISSAN	939	7700428665	1214136	RENAULT	1216
7700302115	1216063	OPEL	1050	7700428666	1214258	RENAULT	1216, 1255
7700302115	1216063	RENAULT	1210	7700428738	1214107	RENAULT	1216
7700302118	0391494	NISSAN	939	7700430765	0791365	RENAULT	1216, 1254
7700302118	0391494	OPEL	1049	7700430766	0781365	RENAULT	1216, 1254
7700302118	0391494	RENAULT	1209	7700430831	0791365	RENAULT	1216, 1254
7700302118	0391494	VAUXHALL	1561	7700430832	0781365	RENAULT	1216, 1254
7700302119	0381494	NISSAN	939	7700436302	0790415	RENAULT	1215, 1241
7700302119	0381494	OPEL	1049	7700436303	0780415	RENAULT	1215, 1241
7700302119	0381494	RENAULT	1209	7700437136	0502359	RENAULT	1200, 1255
7700302119	0381494	VAUXHALL	1561	7700504987	0180925	RENAULT	1231, 1235,
7700302122	1215609	RENAULT	1209-1210				
7700302123	1215610	RENAULT	1209-1210				
7700302165	0593812	NISSAN	939				
7700302165	0593812	OPEL	1050				
7700302165	0593812	RENAULT	1210				
7700302165	0593812	VAUXHALL	1561				

RIF. ORIG. O.E. NUMBER	RIF. OCAP OCAP REF.	MARCA MAKE	PAG.	RIF. ORIG. O.E. NUMBER	RIF. OCAP OCAP REF.	MARCA MAKE	PAG.
			1244	7700680852 *	0902230	RENAULT	1265
7700509247	0180925	RENAULT	1235	7700680852 **	0901633	RENAULT	1236, 1238, 1245, 1248, 1252
7700525702	0790680	RENAULT	1223, 1225				
7700525703	0780680	RENAULT	1223, 1225	7700680852	1211128	RENAULT	1236, 1238, 1245, 1247- 1248, 1252, 1265
7700526380 *	0901629	RENAULT	1231, 1235				
7700526380	1211130	RENAULT	1231, 1235	7700687433	1230105	RENAULT	1182, 1229, 1249, 1251, 1261
7700540384	1215035	RENAULT	1231				
7700542358	0790682	RENAULT	1223, 1225	7700691630	0790687	RENAULT	1228
7700542359	0780682	RENAULT	1223, 1225	7700691631	0780687	RENAULT	1228
7700554294 *	0901620	RENAULT	1222, 1226	7700693154	0600786	CITROEN	299
7700554294	1211120	RENAULT	1222, 1226	7700693154	0600786	PEUGEOT	1088, 1138
7700562943	0700695	RENAULT	1231, 1237	7700693154	0600786	RENAULT	1233
7700571172	0190929	RENAULT	1231	7700693154	0600786	TALBOT	1446, 1449
7700571173	0180929	RENAULT	1231	7700693154	1215363	RENAULT	1230, 1261
7700586241 *	1215009	RENAULT	1232, 1234	7700703948	0790682	RENAULT	1223, 1225
7700586241	0390605	RENAULT	1232, 1234	7700703949	0780682	RENAULT	1223, 1225
7700586466 *	1215010	RENAULT	1232, 1234	7700703950	0790683	RENAULT	1223, 1225
7700586466	0380605	RENAULT	1232, 1234	7700703951	0780683	RENAULT	1223, 1225
7700622244	0700698	RENAULT	1237, 1239	7700704114	0790687	RENAULT	1228
7700622941	0591194	RENAULT	1246	7700704115	0780687	RENAULT	1228
7700630016	0581194	RENAULT	1246	7700706007	1211123	RENAULT	1182, 1190- 1191, 1229, 1236, 1239- 1240, 1242, 1248-1249, 1252, 1260, 1266
7700630430	1215409	RENAULT	1237, 1239				
7700633739	0180942	RENAULT	1244	7700754515	1215100	RENAULT	1251
7700633745	0190941	RENAULT	1244	7700758441	0790733	RENAULT	1251
7700633747	0580941	RENAULT	1244	7700759418	0602000	RENAULT	1260
7700648649 *	0901622	RENAULT	1182, 1229, 1249, 1260, 1270	7700760130	1214116	RENAULT	1216, 1241
7700648649	1211126	RENAULT	1182, 1184- 1185, 1198- 1199, 1229, 1240, 1242, 1249, 1260, 1270	7700760265	1215362	RENAULT	1230, 1261
				7700763932	1215415	RENAULT	1250
7700649105	0790732	RENAULT	1239	7700763934	1215361	RENAULT	1230, 1261
7700649106	0780732	RENAULT	1239	7700771562	1215380	RENAULT	1251
7700649400	0400936	RENAULT	1190, 1237, 1239, 1248	7700772687	1215134	RENAULT	1251
7700649580	0400267	RENAULT	1190, 1237, 1239, 1248	7700772692	0780733	RENAULT	1251
7700652000	0790687	RENAULT	1228	7700774026	1215414	RENAULT	1251
7700652001	0780687	RENAULT	1228	7700774566 *	0902230	RENAULT	1265
7700653459 *	0901632	RENAULT	1236, 1245	7700774566 *	0902231	RENAULT	1265
7700653459 **	0901633	RENAULT	1236, 1238, 1245, 1248, 1252	7700774566	1211267	RENAULT	1265
7700653459	1211127	RENAULT	1236, 1238, 1245, 1248, 1252	7700781034	0790415	RENAULT	1215, 1241
				7700781035	0780415	RENAULT	1215, 1241
7700656272	0600935	RENAULT	1236, 1245	7700781441	1215583	RENAULT	1191
7700656318	0600922	CITROEN	246	7700781463	1215094	RENAULT	1191
7700656318	0600922	RENAULT	1224, 1227	7700783449	0790691	RENAULT	1230, 1250
7700656569 *	0901621	RENAULT	1224, 1227	7700783450	0780691	RENAULT	1230, 1250
7700656569 *	0901625	RENAULT	1233	7700783451	0790691	RENAULT	1230, 1250
7700656569	1211125	RENAULT	1224, 1227, 1233	7700783452	0780691	RENAULT	1230, 1250
				7700783453	0780688	RENAULT	1261
7700667186	1214252	RENAULT	1266	7700783454	0790688	RENAULT	1261
7700678649 *	0901622	RENAULT	1182, 1229, 1240, 1242, 1249, 1260, 1270	7700783455	0790688	RENAULT	1261
7700678649	1211126	RENAULT	1182, 1184- 1185, 1198- 1199, 1229, 1240, 1242, 1249, 1260, 1270	7700783456	0780688	RENAULT	1261
				7700783463	0790690	RENAULT	1261
				7700783464	0780690	RENAULT	1261
				7700784170	1214116	RENAULT	1216, 1241
				7700784171	1214102	RENAULT	1187, 1216
				7700785788	1214101	RENAULT	1187, 1200, 1216, 1241, 1263
				7700789477	1215141	RENAULT	1215-1216, 1243, 1254
				7700789478	1215098	RENAULT	1215, 1241

RIF. ORIG. O.E. NUMBER	RIF. OCAP OCAP REF.	MARCA MAKE	PAG.	RIF. ORIG. O.E. NUMBER	RIF. OCAP OCAP REF.	MARCA MAKE	PAG.
7700789815	1215365	RENAULT	1230, 1243, 1261	7701049282	0293875	VAUXHALL	1267, 1269 1570
7700794386	0790413	RENAULT	1183	7701049283	0283875	NISSAN	954, 972
7700794387	0780413	RENAULT	1183	7701049283	0283875	OPEL	1065, 1067
7700794833	0790414	RENAULT	1183	7701049283	0283875	RENAULT	1193, 1204, 1267, 1269
7700794834	0780414	RENAULT	1183	7701049283	0283875	VAUXHALL	1570
7700797821	1214253	RENAULT	1191	7701056678	1214256	RENAULT	1188, 1218, 1256
7700798053	1214029	RENAULT	1183	7701056970	0401523	RENAULT	1210
7700799064	1215096	RENAULT	1183	7701070154	0401495	RENAULT	1210
7700799065	1215097	RENAULT	1183	7701161724	0790733	RENAULT	1251
7700799066	1215308	RENAULT	1183	7701161725	0780733	RENAULT	1251
7700799404	0901340	RENAULT	1183, 1187, 1200, 1263	7701161726	0790733	RENAULT	1251
7700802343	0393024	RENAULT	1191	7701161727	0780733	RENAULT	1251
7700802344	0383024	RENAULT	1191	7701209534	0908841	RENAULT	1205
7700805494	0501214	RENAULT	1179, 1192, 1203, 1253	7701348038	1215095	RENAULT	1231, 1237
7700806238	1215231	RENAULT	1253	7701348040	1215135	RENAULT	1231, 1237
7700806239	1215230	RENAULT	1253	7701348067	1230107	RENAULT	1222, 1224, 1226-1227, 1231, 1235, 1246
7700807194	0403016	RENAULT	1203, 1253	7701450588	0190024	RENAULT	1222, 1226
7700807580	0393020	RENAULT	1253	7701450589	0180934	RENAULT	1224, 1227, 1236, 1245
7700807581	0383020	RENAULT	1253	7701450635	0490016	RENAULT	1223, 1225- 1226, 1228
7700818051	0790415	RENAULT	1215, 1241	7701450636	0490016	RENAULT	1223, 1225- 1226, 1228
7700818052	0780415	RENAULT	1215, 1241	7701450637	0480016	RENAULT	1223, 1225- 1226, 1228
7700818053	0790416	RENAULT	1215, 1243	7701450638	0480016	RENAULT	1223, 1225- 1226, 1228
7700818054	0780416	RENAULT	1215, 1243	7701451904	0401402	RENAULT	1222, 1225- 1226, 1228
7700819928	1215140	RENAULT	1271	7701453465	1215035	RENAULT	1231
7700819929	1215139	RENAULT	1271	7701455905	0400009	FORD	421
7700820028	0790370	RENAULT	1271	7701455905	0400009	RENAULT	1231, 1237, 1244-1245
7700820029	0780370	RENAULT	1271	7701455906	0400008	FORD	421
7700822503	1215228	RENAULT	1179, 1192, 1203	7701455906	0400008	RENAULT	1231, 1237
7700823097	0393017	RENAULT	1203	7701458260	0400268	RENAULT	1246-1247
7700823098	0383017	RENAULT	1203	7701458261	0400270	RENAULT	1246-1247
7700823580	0393020	RENAULT	1253	7701460661	0400946	RENAULT	1246-1247
7700823581	0383020	RENAULT	1253	7701460770	0180947	RENAULT	1247, 1265
7700824042	1215229	RENAULT	1203	7701460875	0501211	RENAULT	1236, 1245
7700829322	0403016	RENAULT	1203	7701460885	0400008	RENAULT	1231, 1237
7700829841	0790416	RENAULT	1215, 1243	7701460886	0400009	FORD	421
7700829842	0780416	RENAULT	1215, 1243	7701460886	0400009	RENAULT	1231, 1237, 1244-1245
7700831368	0790415	RENAULT	1215, 1241	7701460955	0180934	RENAULT	1224, 1227, 1236, 1245
7700831369	0780415	RENAULT	1215, 1241	7701461010	0501189	RENAULT	1224, 1227
7700834449	0790691	RENAULT	1230, 1250	7701461077	0400266	RENAULT	1244-1245
7700834450	0780691	RENAULT	1230, 1250	7701461140	0501190	RENAULT	1233
7700834916	0393208	RENAULT	1215	7701461141	0180926	RENAULT	1178, 1190- 1191, 1229, 1233, 1238, 1248-1249, 1252, 1260
7700834917	0383208	RENAULT	1215	7701461151	0180926	RENAULT	1178, 1190- 1191, 1229, 1233, 1238, 1248-1249, 1252, 1260
7700835929	1214028	RENAULT	1187	7701461321	0400267	RENAULT	1190, 1237, 1239, 1248
7700840741	1215205	RENAULT	1215				
7700847382	0902331	RENAULT	1216				
7701013272	0181401	RENAULT	1259				
7701013276	0191401	RENAULT	1259				
7701041311	0293205	RENAULT	1182, 1198, 1213-1214				
7701041312	0283205	RENAULT	1182, 1198, 1213-1214				
7701047415	0291524	NISSAN	941, 970				
7701047415	0291524	RENAULT	1185, 1199, 1214, 1270, 1272				
7701047416	0281524	NISSAN	941, 970				
7701047416	0281524	RENAULT	1185, 1199, 1214, 1270, 1272				
7701049282	0293875	NISSAN	954, 972				
7701049282	0293875	OPEL	1065, 1067				
7701049282	0293875	RENAULT	1193, 1204,				

RIF. ORIG. O.E. NUMBER	RIF. OCAP OCAP REF.	MARCA MAKE	PAG.	RIF. ORIG. O.E. NUMBER	RIF. OCAP OCAP REF.	MARCA MAKE	PAG.
7701461331	0400936	RENAULT	1190, 1237, 1239, 1248	7701467236	0590678	RENAULT	1242
7701461332	0400267	RENAULT	1190, 1237, 1239, 1248	7701467237 *	0604601	RENAULT	1242, 1249
7701461344	0501192	RENAULT	1238	7701467237	0580678	RENAULT	1242
7701461667	0402235	RENAULT	1266	7701467237	0580679	RENAULT	1240
7701461770	0180947	RENAULT	1247, 1265	7701467238 *	0604601	RENAULT	1242, 1249
7701461824	0501194	RENAULT	1247	7701467238	0580678	RENAULT	1242
7701461923	0501220	RENAULT	1190, 1238, 1248	7701467271	0590154	RENAULT	1182
7701462170	0600927	RENAULT	1178, 1229	7701467272	0580154	RENAULT	1182
7701462182 *	0400928-K	NISSAN	941, 970	7701467273	0190153	RENAULT	1182
7701462182 *	0400928-K	RENAULT	1178, 1183, 1186, 1200, 1215, 1230, 1241, 1243, 1250, 1261, 1263, 1271	7701467274	0180153	RENAULT	1182
7701462182	0400928	NISSAN	941, 970	7701467501	0593014	RENAULT	1203
7701462182	0400928	RENAULT	1178, 1183, 1186, 1200, 1215, 1230, 1241, 1243, 1250, 1261, 1263, 1271	7701467502	0583014	RENAULT	1203
7701462282	0490016	RENAULT	1223, 1225- 1226, 1228	7701468411	0403207	RENAULT	1187, 1200, 1216, 1254, 1263
7701462283	0480016	RENAULT	1223, 1225- 1226, 1228	7701468820	0400009	FORD	421
7701462427	0282240	RENAULT	1208	7701468820	0400009	RENAULT	1231, 1237, 1244-1245
7701462540	0501210	RENAULT	1178, 1229	7701468883 *	0400928-K	NISSAN	941, 970
7701462692	0402241	RENAULT	1208	7701468883 *	0400928-K	RENAULT	1178, 1183, 1186, 1200, 1215, 1230, 1241, 1243, 1250, 1261, 1263, 1271
7701462693	0402242	RENAULT	1208	7701468883	0400928	NISSAN	941, 970
7701462708	0501192	RENAULT	1238	7701468883	0400928	RENAULT	1178, 1183, 1186, 1200, 1215, 1230, 1241, 1243, 1250, 1261, 1263, 1271
7701462877	0501211	RENAULT	1236, 1245	7701468952	0593202	RENAULT	1213
7701462987	0502231	RENAULT	1265	7701468953	0583202	RENAULT	1213
7701463025	0501220	RENAULT	1190, 1238, 1248	7701469229	0500923	RENAULT	1191
7701463035	0502230	RENAULT	1265	7701469229	0502210	RENAULT	1252
7701463195	0502210	RENAULT	1252	7701469230 *	0184610	RENAULT	1251
7701463229	0402212	RENAULT	1191, 1252	7701469230	0184610-K	RENAULT	1251
7701463230	0402211	RENAULT	1191, 1252	7701469231	0180926	RENAULT	1178, 1190- 1191, 1229, 1233, 1238, 1248-1249, 1252, 1260
7701463346	0502000	RENAULT	1260	7701469251	0603014	RENAULT	1203, 1213
7701463686	0490016	RENAULT	1223, 1225- 1226, 1228	7701469280 *	0603210	RENAULT	1213
7701463687	0480016	RENAULT	1223, 1225- 1226, 1228	7701469280	0603203-K	RENAULT	1213
7701464015	0504601	RENAULT	1249	7701469281 *	0603204	RENAULT	1213
7701464019 *	0184610	RENAULT	1251	7701469281	0603204-K	RENAULT	1213
7701464019	0184610-K	RENAULT	1251	7701469464	0403208	RENAULT	1215
7701464037	0404612	RENAULT	1251	7701469486 *	1211334	RENAULT	1213
7701464151	0180926	RENAULT	1178, 1190- 1191, 1229, 1233, 1238, 1248-1249, 1252, 1260	7701469486	0903203	RENAULT	1213
7701464313	0500923	RENAULT	1191	7701469487 *	1211335	RENAULT	1213
7701464313	0502210	RENAULT	1252	7701469487	0903204	RENAULT	1213
7701464441 *	0184610	RENAULT	1251	7701469496 *	1211301	RENAULT	1179, 1184- 1185, 1198- 1199, 1214, 1262
7701464441	0184610-K	RENAULT	1251	7701469496	0903209	RENAULT	1179, 1184- 1185, 1192, 1198-1199, 1214, 1262
7701465689	0402211	RENAULT	1191, 1252	7701469502 *	0603209	RENAULT	1198, 1214
7701466799	0593018	RENAULT	1253	7701469502	0603209-K	RENAULT	1198, 1214
7701466800	0583018	RENAULT	1253	7701469517	0600368	RENAULT	1270
7701467218	0590369	RENAULT	1270	7701469657	0903014	RENAULT	1203
7701467219	0580369	RENAULT	1270	7701469665	0603014	RENAULT	1203, 1213
7701467235	0590679	RENAULT	1240	7701469777	0600154	RENAULT	1182
7701467236 *	0604601	RENAULT	1242, 1249				

RIF. ORIG. O.E. NUMBER	RIF. OCAP OCAP REF.	MARCA MAKE	PAG.	RIF. ORIG. O.E. NUMBER	RIF. OCAP OCAP REF.	MARCA MAKE	PAG.
7701470361 *	0903811	RENAULT	1209, 1211				1262
77014-70361 *	1211392	NISSAN	955	7701472734 *	0601497	RENAULT	1185, 1262
77014-70361	0903811	NISSAN	955	7701472734	0601497-K	RENAULT	1185, 1262
7701470361	1211392	RENAULT	1209, 1211	7701472735 *	0601497	RENAULT	1185, 1262
7701470362 *	0603811	NISSAN	939	7701472735	0601497-K	RENAULT	1185, 1262
7701470362 *	0603811	OPEL	1049	7701472766 *	0603876	RENAULT	1204
7701470362 *	0603811	RENAULT	1209	7701472766	0603876-K	RENAULT	1204
7701470362 *	0603811	VAUXHALL	1561	7701473333 *	0604424	NISSAN	954, 972
7701470362	0603811-K	OPEL	1049	7701473333 *	0604424	OPEL	1065, 1067
7701470362	0603811-K	RENAULT	1209	7701473333 *	0604424	RENAULT	1267, 1269
7701470362	0603811-K	VAUXHALL	1561	7701473333 *	0604424	VAUXHALL	1570
7701470363	0291495	NISSAN	939	7701473333	0604424-K	NISSAN	954
7701470363	0291495	OPEL	1049	7701473333	0604424-K	OPEL	1065, 1067
7701470363	0291495	RENAULT	1209	7701473333	0604424-K	RENAULT	1267, 1269
7701470363	0291495	VAUXHALL	1561	7701473333	0604424-K	VAUXHALL	1570
7701470364	0281495	NISSAN	939	7701473334 *	1211589	RENAULT	1267, 1269
7701470364	0281495	OPEL	1049	7701473334	0903807	NISSAN	954
7701470364	0281495	RENAULT	1209	7701473334	0903807	OPEL	1065, 1067
7701470364	0281495	VAUXHALL	1561	7701473334	0903807	RENAULT	1267, 1269
7701470763 *	0604202	RENAULT	1198	7701473334	0903807	VAUXHALL	1570
7701470763	0604202-K	RENAULT	1198	7701473443	0604403	RENAULT	1254
7701470764 *	0603209	RENAULT	1198, 1214	7701473498	0601524	RENAULT	1270
7701470764	0603209-K	RENAULT	1198, 1214	7701473655 *	0602377	NISSAN	941, 970
7701470765	0293205	RENAULT	1182, 1198, 1213-1214	7701473655 *	0602377	RENAULT	1184, 1199, 1262
7701470766	0283205	RENAULT	1182, 1198, 1213-1214	7701473655	0602377-K	RENAULT	1184, 1199, 1262
7701471124	0603145	RENAULT	1184	7701473656	0603207	RENAULT	1185, 1199
7701471125	0901299	RENAULT	1184	7701474075	0904422	RENAULT	1193
7701471126	0291300	RENAULT	1184	7701474076	0604422-K	RENAULT	1193
7701471127	0281300	RENAULT	1184	7701474447	0904171	RENAULT	1217, 1256
7701471141	0901497	RENAULT	1184-1185, 1262	7701474447*	1211417	RENAULT	1217, 1256
7701471141*	1211617	RENAULT	1184-1185, 1262	7701474448 *	0604171	RENAULT	1217, 1256
7701471143 *	0601300	RENAULT	1184	7701474448	0604171-K	RENAULT	1217, 1256
7701471143	0601300-K	RENAULT	1184	7701474492	0291524	NISSAN	941, 970
7701471144 *	0601300	RENAULT	1184	7701474492	0291524	RENAULT	1185, 1199, 1214, 1270, 1272
7701471144	0601300-K	RENAULT	1184	7701474493	0281524	NISSAN	941, 970
7701471844 *	0601526	RENAULT	1214, 1254	7701474493	0281524	RENAULT	1185, 1199, 1214, 1270, 1272
7701471844	0601526-K	RENAULT	1214, 1254	7701474795	0294170	RENAULT	1217, 1256
7701471885	0606490	RENAULT	1214	7701474796	0284170	RENAULT	1217, 1256
7701472038 *	0400928-K	NISSAN	941, 970	7701475840	0904403	NISSAN	949
7701472038 *	0400928-K	RENAULT	1178, 1183, 1186, 1200, 1215, 1230, 1241, 1243, 1250, 1261, 1263, 1271	7701475840	0904403	RENAULT	1188
7701472038	0400928	NISSAN	941, 970	7701475841 *	0602336	RENAULT	1188
7701472038	0400928	RENAULT	1178, 1183, 1186, 1200, 1215, 1230, 1241, 1243, 1250, 1261, 1263, 1271	7701475841	0602336-K	RENAULT	1188
7701472087 *	0601525	RENAULT	1214, 1254	7701475842	0294403	RENAULT	1188, 1254, 1262
7701472087	0601525-K	RENAULT	1214, 1254	7701475843	0284403	RENAULT	1188, 1254, 1262
7701472088 *	0601525	RENAULT	1254	7701476576	0403877	NISSAN	972
7701472088	0601525-K	RENAULT	1254	7701476576	0403877	OPEL	1065
7701472113 *	0604203	NISSAN	941, 970	7701476576	0403877	RENAULT	1193, 1204, 1267
7701472113 *	0604203	RENAULT	1185, 1199	7701476576	0403877	VAUXHALL	1570
7701472113	0604203-K	RENAULT	1185, 1199	7701477385	0404627	RENAULT	1268
7701472120 *	0602377	NISSAN	941, 970	7701477822 *	1211607	RENAULT	1272
7701472120 *	0602377	RENAULT	1184, 1199, 1262	7701477822	0902726	RENAULT	1272
7701472120	0602377-K	RENAULT	1184, 1199,	7701477878 *	0602725	RENAULT	1272
				7701477878	0902725	RENAULT	1272
				7701478400 *	1211585	MERCEDES	839
				7701478400 *	1211585	RENAULT	1201
				7701478400	0903212	MERCEDES	839
				7701478400	0903212	RENAULT	1201

RIF. ORIG. O.E. NUMBER	RIF. OCAP OCAP REF.	MARCA MAKE	PAG.	RIF. ORIG. O.E. NUMBER	RIF. OCAP OCAP REF.	MARCA MAKE	PAG.
7701478406 *	0603213	MERCEDES	839	77362509	0903883	FORD	424, 459, 487
7701478406 *	0603213	RENAULT	1195, 1201, 1219, 1257	77362509	0903883	LANCIA	673
7701478406	0603213-K	MERCEDES	839	77363705	0902137	ALFA ROMEO	12
7701478406	0603213-K	RENAULT	1201	77363706 *	0602137	ALFA ROMEO	12
7701478407	0293212	MERCEDES	839	77363706	0292137	ALFA ROMEO	12
7701478407	0293212	RENAULT	1201	77363707 *	0602137	ALFA ROMEO	12
7701478408	0283212	MERCEDES	839	77363707	0282137	ALFA ROMEO	12
7701478408	0283212	RENAULT	1201	77363710	1211446	FIAT	351
7701478551 *	0603876	RENAULT	1204	77363712	0283802	FIAT	351
7701478551	0603876-K	RENAULT	1204	77363712	0283802	OPEL	1063
7701491	0600442	FIAT	380, 382	77363712	0283802	SAAB	1299, 1301
7701491	0600442	LANCIA	670	77363712	0283802	VAUXHALL	1567
7701552545	0700694	RENAULT	1231, 1237	77363713	0293802	FIAT	351
7701590974	0700695	RENAULT	1231, 1237	77363713	0293802	OPEL	1063
7701624286	0584611	RENAULT	1251	77363713	0293802	SAAB	1299, 1301
7701624287	0594611	RENAULT	1251	77363713	0293802	VAUXHALL	1567
7701641726	0790733	RENAULT	1251	77363828	0902356	ALFA ROMEO	28
7701641727	0780733	RENAULT	1251	77363828	0902356	FIAT	383, 416
7701656272	0600935	RENAULT	1236, 1245	77363829	0292356	ALFA ROMEO	28
7702144561	1215365	RENAULT	1230, 1243, 1261	77363829	0292356	FIAT	383
7702246306	1215035	RENAULT	1231	77363829	0292356	OPEL	1008, 1033
7704000681	1215300	RENAULT	1230, 1250, 1261	77363830	0282356	ALFA ROMEO	28
7704001091	1214254	RENAULT	1266	77363830	0282356	FIAT	383
7705040002	1215136	RENAULT	1237, 1239	77363830	0282356	OPEL	1008, 1033
7705615	0790004	FIAT	401	77364009	0282637	CITROEN	290
7705616	0780004	FIAT	401	77364009	0282637	FIAT	361
7717963	0282400	SAAB	1295	77364009	0282637	PEUGEOT	1074
7719062 *	0902334	FIAT	381	77364253	0292637	CITROEN	290
7719062 *	0902334	LANCIA	671	77364253	0292637	FIAT	361
7719063 *	0902334	FIAT	381	77364253	0292637	PEUGEOT	1074
7719063 *	0902334	LANCIA	671	77364254 *	1211604	CITROEN	290
77362278	0282323	CITROEN	288	77364254 *	1211604	FIAT	361
77362278	0282323	FIAT	359	77364254 *	1211604	PEUGEOT	1074
77362278	0282323	PEUGEOT	1072	77364254 *	1211604	CITROEN	290
77362279	0283815	FIAT	388, 399	77364254	0902637	CITROEN	290
77362279	0283815	LANCIA	666	77364254	0902637	FIAT	361
77362280	0603816	FIAT	399	77364254	0902637	PEUGEOT	1074
77362280	0603816	LANCIA	666	77364341 *	1211469	FIAT	343
77362281 *	1211601	FIAT	399	77364341 *	1211469	LANCIA	660
77362281 *	1211601	LANCIA	666	77364341	0902687	FIAT	343
77362281	0903816	FIAT	399	77364341	0902687	LANCIA	660
77362281	0903816	LANCIA	666	77364521	0293081	ALFA ROMEO	9
77362287	0900918	FIAT	388	77364522	0283081	ALFA ROMEO	9
77362380	0604206	LANCIA	672	77364568	0292753	CITROEN	295
77362381	0284205	LANCIA	672	77364568	0292753	FIAT	365, 368
77362382 *	1211622	LANCIA	672	77364568	0292753	PEUGEOT	1071
77362382	0904206	LANCIA	672	77364569	0282753	CITROEN	295
77362502	0603832	FIAT	367	77364569	0282753	FIAT	365, 368
77362502	0603832	LANCIA	665	77364569	0282753	PEUGEOT	1071
77362503	0283831	FIAT	367	77364571 *	1211483	CITROEN	295
77362503	0283831	LANCIA	665	77364571 *	1211483	FIAT	365, 368
77362504 *	1211608	FIAT	367	77364571 *	1211483	FORD	441
77362504 *	1211608	LANCIA	665	77364571 *	1211483	PEUGEOT	1071
77362504	0903832	FIAT	367	77364571	0902753	FIAT	365, 368
77362504	0903832	LANCIA	665	77364750	0902143	ALFA ROMEO	12
77362506	0603883	FIAT	377	7736514 *	0392334-K	FIAT	381
77362507	0293882	FIAT	377, 415	7736514 *	0392334-K	LANCIA	671
77362508	0283882	FIAT	377, 415	7736514 *	0901910	FIAT	381
77362509 *	1211470	FIAT	377, 379, 415	7736514 *	0901910	LANCIA	671
77362509 *	1211470	FORD	459, 487	7736514	0392334	FIAT	381
77362509 *	1211470	LANCIA	673	7736514	0392334	LANCIA	671
77362509	0903883	FIAT	377, 379, 415	7736515 *	0382334-K	FIAT	381
				7736515 *	0382334-K	LANCIA	671
				7736515 *	0901910	FIAT	381
				7736515 *	0901910	LANCIA	671
				7736515	0382334	FIAT	381

RIF. ORIG. O.E. NUMBER	RIF. OCAP OCAP REF.	MARCA MAKE	PAG.	RIF. ORIG. O.E. NUMBER	RIF. OCAP OCAP REF.	MARCA MAKE	PAG.
7736515	0382334	LANCIA	671	7D0407140	1215663	VOLKSWAGEN	1702, 1704
77365222 *	1211590	FIAT	356	7D0407140A	1215663	VOLKSWAGEN	1702, 1704
77365222	0903262	FIAT	356	7D0407183	1215661	VOLKSWAGEN	1702, 1704
77365223	0293262	FIAT	356	7D0407361	0401425	VOLKSWAGEN	1704
77365224	0283262	FIAT	356	7D0411045	1214109	VOLKSWAGEN	1702, 1704
77365815	0286493	FIAT	379	7D0411049	0501443	VOLKSWAGEN	1702, 1704
77365815	0286493	LANCIA	673	7D1411041	1214276	VOLKSWAGEN	1702, 1704
77366164	0902356	FIAT	383, 416	7H0407151E	0392723	VOLKSWAGEN	1705
77366165	0295495	FIAT	416-417	7H0407151F	0392723	VOLKSWAGEN	1705
77366165	0295495	JEEP	610	7H0407151G	0392723	VOLKSWAGEN	1705
77366166	0285495	FIAT	416-417	7H0407152E	0382723	VOLKSWAGEN	1705
77366166	0285495	JEEP	610	7H0407152F	0382723	VOLKSWAGEN	1705
77366697	0905752	FIAT	417	7H0407152G	0382723	VOLKSWAGEN	1705
77366697	0905752	JEEP	610	7H0407182A	1215872	VOLKSWAGEN	1705
77366698	0295495	FIAT	416-417	7H0407183	1215873	VOLKSWAGEN	1705
77366698	0295495	JEEP	610	7H0407361	0404336	VOLKSWAGEN	1705
77366699	0285495	FIAT	416-417	7H0411313	1214271	VOLKSWAGEN	1706
77366699	0285495	JEEP	610	7H0411317A	0504337	VOLKSWAGEN	1706
77367378 *	0605754	FIAT	397	7H0419803D	0594333	VOLKSWAGEN	1705
77367379	0285754	FIAT	397	7H0419803E	0594333	VOLKSWAGEN	1705
77367380	0905754	FIAT	397	7H0419804D	0584333	VOLKSWAGEN	1705
77367925	0288889	ALFA ROMEO	23	7H0419804E	0584333	VOLKSWAGEN	1705
77368151	0288896	ALFA ROMEO	29	7H0422817A	0294333	VOLKSWAGEN	1705
7750977	0390446	FIAT	339, 380	7H0422817B	0294333	VOLKSWAGEN	1705
7750977	0390446	LANCIA	670	7H0422817C	0294333	VOLKSWAGEN	1705
7750978	0380446	FIAT	339, 380	7H0422817D	0294333	VOLKSWAGEN	1705
7750978	0380446	LANCIA	670	7H0422818A	0284333	VOLKSWAGEN	1705
7750982	1215418	FIAT	339, 381	7H0422818B	0284333	VOLKSWAGEN	1705
7750983	1215419	FIAT	339, 381	7H0422818C	0284333	VOLKSWAGEN	1705
7750990	1215420	FIAT	339, 355, 382, 394	7H0422818D	0284333	VOLKSWAGEN	1705
				7H0422831	1211430	VOLKSWAGEN	1705
7752285	0280441	FIAT	339, 380, 382, 404	7H5411313A	1214275	VOLKSWAGEN	1706
				7H5411313B	1214274	VOLKSWAGEN	1706
7752285	0280441	LANCIA	670	7H5411317	0504337	VOLKSWAGEN	1706
7769900 *	0901910	FIAT	381	7H5411317A	0504337	VOLKSWAGEN	1706
7769900 *	0901910	LANCIA	671	7H5511414	1214272	VOLKSWAGEN	1706
7769900	0392335	FIAT	381	7H8407361	0404335	VOLKSWAGEN	1705
7769900	0392335	LANCIA	671	7H8407361A	0404335	VOLKSWAGEN	1705
7769901 *	0901910	FIAT	381	7L0407021A	0304328	AUDI	94
7769901 *	0901910	LANCIA	671	7L0407021A	0304328	PORSCHE	1170
7769901	0382335	FIAT	381	7L0407021A	0304328	VOLKSWAGEN	1685
7769901	0382335	LANCIA	671	7L0407021B	0304328	AUDI	94
7777239	0390036	FIAT	341, 396	7L0407021B	0304328	PORSCHE	1170
7777239	0390036	LANCIA	653, 658	7L0407021B	0304328	VOLKSWAGEN	1685
7777240	0380036	FIAT	341, 396	7L0407077	1215731	AUDI	94
7777240	0380036	LANCIA	653, 658	7L0407077	1215731	PORSCHE	1170, 1176
7780443	0390386	ALFA ROMEO	2, 4-5, 8, 27	7L0407077	1215731	VOLKSWAGEN	1685
7780443	0390386	FIAT	341, 347, 369	7L0407151C	0394327	PORSCHE	1171
7780443	0390386	LANCIA	659	7L0407151C	0394327	VOLKSWAGEN	1685
7780444	0380386	ALFA ROMEO	2, 4-5, 8, 27	7L0407151E	0394327	PORSCHE	1171
7780444	0380386	FIAT	341, 347, 369	7L0407151E	0394327	VOLKSWAGEN	1685
7780444	0380386	LANCIA	659	7L0407151F	0394332	AUDI	95
7780450	1215417	FIAT	339, 381	7L0407151F	0394332	VOLKSWAGEN	1686
7784388	0501321	LANCIA	663	7L0407151H	0394327	PORSCHE	1171
7820249135	0600516	ALFA ROMEO	22	7L0407151H	0394327	VOLKSWAGEN	1685
7820249212	0606927	IVECO	587	7L0407151J	0394332	AUDI	95
7829861 *	0902540	SAAB	1296	7L0407151J	0394332	VOLKSWAGEN	1686
7829861	1211286	SAAB	1296, 1305	7L0407151K	0394332	AUDI	95
78MU3263A	0400008	FORD	421	7L0407151K	0394332	VOLKSWAGEN	1686
78MU3395A	0400009	FORD	421	7L0407151K	0394593	AUDI	95
7901352035	0390605	TALBOT	1446	7L0407151K	0394593	VOLKSWAGEN	1688
7901352124	0380605	TALBOT	1446	7L0407152C	0384327	PORSCHE	1171
7910014619	1215389	CITROEN	278, 301	7L0407152C	0384327	VOLKSWAGEN	1685
7910014837 *	0901630	RENAULT	1232-1233	7L0407152E	0384327	PORSCHE	1171
7910014837	1211131	RENAULT	1232-1233	7L0407152E	0384327	VOLKSWAGEN	1685

RIF. ORIG. O.E. NUMBER	RIF. OCAP OCAP REF.	MARCA MAKE	PAG.	RIF. ORIG. O.E. NUMBER	RIF. OCAP OCAP REF.	MARCA MAKE	PAG.
7L0407152F	0384332	AUDI	95	7L0422817C	0294325	VOLKSWAGEN	1571, 1685, 1688
7L0407152F	0384332	VOLKSWAGEN	1686	7L0422817D	0294325	AUDI	94
7L0407152H	0384327	PORSCHE	1171	7L0422817D	0294325	PORSCHE	1170
7L0407152H	0384327	VOLKSWAGEN	1685	7L0422817D	0294325	VOLKSWAGEN	1571, 1685, 1688
7L0407152J	0384332	AUDI	95	7L0422818B	0284325	AUDI	94
7L0407152J	0384332	VOLKSWAGEN	1686	7L0422818B	0284325	PORSCHE	1170
7L0407152K	0384332	AUDI	95	7L0422818B	0284325	VOLKSWAGEN	1571, 1685, 1688
7L0407152K	0384332	VOLKSWAGEN	1686	7L0422818C	0284325	AUDI	94
7L0407152K	0384593	AUDI	95	7L0422818C	0284325	PORSCHE	1170
7L0407152K	0384593	VOLKSWAGEN	1688	7L0422818C	0284325	VOLKSWAGEN	1571, 1685, 1688
7L0407182C	1215734	AUDI	95	7L0422818D	0284325	AUDI	94
7L0407182C	1215734	PORSCHE	1171	7L0422818D	0284325	PORSCHE	1170
7L0407182C	1215734	VOLKSWAGEN	1685	7L0422818D	0284325	VOLKSWAGEN	1571, 1685, 1688
7L0407182E	1215734	AUDI	95	7L0422821	0604326	AUDI	94
7L0407182E	1215734	PORSCHE	1171	7L0422821	0604326	PORSCHE	1170
7L0407182E	1215734	VOLKSWAGEN	1685	7L0422821	0604326	VOLKSWAGEN	1571, 1685, 1688
7L0407182F	1215882	AUDI	95	7L0422831A	1211429	AUDI	94
7L0407182F	1215882	PORSCHE	1171	7L0422831A	1211429	PORSCHE	1170
7L0407182F	1215882	VOLKSWAGEN	1686, 1688	7L0422831A	1211429	VOLKSWAGEN	1571, 1685, 1688
7L0407183A	1215732	AUDI	95	7L0501529C	0704329	AUDI	96
7L0407183A	1215732	PORSCHE	1171	7L0501529C	0704329	PORSCHE	1172
7L0407183A	1215732	VOLKSWAGEN	1685-1686, 1688	7L0501529C	0704329	VOLKSWAGEN	1687, 1689
7L0407501529D	0704329	AUDI	96	7L0505311A	0798674	AUDI	96
7L0407501529D	0704329	PORSCHE	1172	7L0505311A	0798674	PORSCHE	1173
7L0407501529D	0704329	VOLKSWAGEN	1687, 1689	7L0505311A	0798674	VOLKSWAGEN	1687
7L0411317 *	1215735	AUDI	95	7L0505311B *	1216432	AUDI	96
7L0411317 *	1215735	PORSCHE	1172	7L0505311B *	1216432	PORSCHE	1173
7L0411317 *	1215735	VOLKSWAGEN	1686, 1689	7L0505311B *	1216432	VOLKSWAGEN	1687
7L0411317	0504329	AUDI	95	7L0505311B	0798674	AUDI	96
7L0411317	0504329	PORSCHE	1172	7L0505311B	0798674	PORSCHE	1173
7L0411317	0504329	VOLKSWAGEN	1686, 1689	7L0505311B	0798674	VOLKSWAGEN	1687
7L0412333A	1215733	AUDI	95	7L0505312A	0788674	AUDI	96
7L0412333A	1215733	PORSCHE	1171	7L0505312A	0788674	PORSCHE	1173
7L0412333A	1215733	VOLKSWAGEN	1685-1686, 1688	7L0505312A	0788674	VOLKSWAGEN	1687
7L0422803B	0594325	AUDI	94	7L0505312B	0788674	AUDI	96
7L0422803B	0594325	PORSCHE	1170	7L0505312B	0788674	PORSCHE	1173
7L0422803B	0594325	VOLKSWAGEN	1571, 1685, 1688	7L0505312B	0788674	VOLKSWAGEN	1687
7L0422803C	0594325	AUDI	94	7L0505323A *	1216090	AUDI	96
7L0422803C	0594325	PORSCHE	1170	7L0505323A *	1216090	PORSCHE	1172
7L0422803C	0594325	VOLKSWAGEN	1571, 1685, 1688	7L0505323A *	1216090	VOLKSWAGEN	1687, 1689
7L0422803D	0594325	AUDI	94	7L0505323A	0305546	AUDI	96
7L0422803D	0594325	PORSCHE	1170	7L0505323A	0305546	PORSCHE	1172
7L0422803D	0594325	VOLKSWAGEN	1571, 1685, 1688	7L0505323A	0305546	VOLKSWAGEN	1687, 1689
7L0422804B	0584325	AUDI	94	7L0505375A *	1216091	AUDI	96
7L0422804B	0584325	PORSCHE	1170	7L0505375A *	1216091	PORSCHE	1172
7L0422804B	0584325	VOLKSWAGEN	1571, 1685, 1688	7L0505375A *	1216091	VOLKSWAGEN	1687, 1689
7L0422804C	0584325	AUDI	94	7L0505375A	0305546	AUDI	96
7L0422804C	0584325	PORSCHE	1170	7L0505375A	0305546	PORSCHE	1172
7L0422804C	0584325	VOLKSWAGEN	1571, 1685, 1688	7L0505375A	0305546	VOLKSWAGEN	1689
7L0422804D	0584325	AUDI	94	7L0505397 *	1216089	AUDI	96
7L0422804D	0584325	PORSCHE	1170	7L0505397 *	1216089	PORSCHE	1172
7L0422804D	0584325	VOLKSWAGEN	1571, 1685, 1688	7L0505397 *	1216089	VOLKSWAGEN	1687, 1689
7L0422817B	0294325	AUDI	94	7L0505397	0395545	AUDI	96
7L0422817B	0294325	PORSCHE	1170	7L0505397	0395545	PORSCHE	1172
7L0422817B	0294325	VOLKSWAGEN	1571, 1685, 1688	7L0505397	0395545	VOLKSWAGEN	1687, 1689
7L0422817C	0294325	AUDI	94	7L0505398 *	1216088	AUDI	96
7L0422817C	0294325	PORSCHE	1170	7L0505398 *	1216088	PORSCHE	1172
				7L0505398 *	1216088	VOLKSWAGEN	1687, 1689
				7L0505398	0385545	AUDI	96

RIF. ORIG. O.E. NUMBER	RIF. OCAP OCAP REF.	MARCA MAKE	PAG.	RIF. ORIG. O.E. NUMBER	RIF. OCAP OCAP REF.	MARCA MAKE	PAG.
7L0505398	0385545	PORSCHE	1172	7M0411317	0503974	SEAT	1307
7L0505398	0385545	VOLKSWAGEN	1687, 1689	7M0411317	0503974	VOLKSWAGEN	1676
7L0505465A	0594332	AUDI	96	7M0411317C	0503974	FORD	452
7L0505465A	0594332	PORSCHE	1173	7M0411317C	0503974	SEAT	1307
7L0505465A	0594332	VOLKSWAGEN	1687, 1689	7M0411317C	0503974	VOLKSWAGEN	1676
7L0505465B	0594332	AUDI	96	7M0411317D	0503974	FORD	452
7L0505465B	0594332	PORSCHE	1173	7M0411317D	0503974	SEAT	1307
7L0505465B	0594332	VOLKSWAGEN	1687, 1689	7M0411317D	0503974	VOLKSWAGEN	1676
7L0505465C	0594332	AUDI	96	7M0422803F	0593043	SEAT	1307
7L0505465C	0594332	PORSCHE	1173	7M0422803F	0593043	VOLKSWAGEN	1676
7L0505465C	0594332	VOLKSWAGEN	1687, 1689	7M0422803G *	0603044	SEAT	1307
7L0505465D	0594332	AUDI	96	7M0422803G *	0603044	VOLKSWAGEN	1676
7L0505465D	0594332	PORSCHE	1173	7M0422803G	0593043	SEAT	1307
7L0505465D	0594332	VOLKSWAGEN	1687, 1689	7M0422803G	0593043	VOLKSWAGEN	1676
7L0505466A	0584332	AUDI	96	7M0422804F	0583043	FORD	451
7L0505466A	0584332	PORSCHE	1173	7M0422804F	0583043	SEAT	1307
7L0505466A	0584332	VOLKSWAGEN	1687, 1689	7M0422804F	0583043	VOLKSWAGEN	1676
7L0505466B	0584332	AUDI	96	7M0422804G *	0603044	SEAT	1307
7L0505466B	0584332	PORSCHE	1173	7M0422804G *	0603044	VOLKSWAGEN	1676
7L0505466B	0584332	VOLKSWAGEN	1687, 1689	7M0422804G	0583043	FORD	451
7L0505466C	0584332	AUDI	96	7M0422804G	0583043	SEAT	1307
7L0505466C	0584332	PORSCHE	1173	7M0422804G	0583043	VOLKSWAGEN	1676
7L0505466C	0584332	VOLKSWAGEN	1687, 1689	7M0422817	0293043	FORD	451
7L0505466D	0584332	AUDI	96	7M0422817	0293043	SEAT	1307
7L0505466D	0584332	PORSCHE	1173	7M0422817	0293043	VOLKSWAGEN	1676
7L0505466D	0584332	VOLKSWAGEN	1687, 1689	7M0422817A	0293043	FORD	451
7L8407021	0304328	AUDI	94	7M0422817A	0293043	SEAT	1307
7L8407151D	0394593	AUDI	95	7M0422817A	0293043	VOLKSWAGEN	1676
7L8407151D	0394593	VOLKSWAGEN	1688	7M0422817B	0293043	FORD	451
7L8407151E	0394593	AUDI	95	7M0422817B	0293043	SEAT	1307
7L8407151E	0394593	VOLKSWAGEN	1688	7M0422817B	0293043	VOLKSWAGEN	1676
7L8407151F	0394593	AUDI	95	7M0422818	0283043	FORD	451
7L8407151F	0394593	VOLKSWAGEN	1688	7M0422818	0283043	SEAT	1307
7L8407152D	0384593	AUDI	95	7M0422818	0283043	VOLKSWAGEN	1676
7L8407152D	0384593	VOLKSWAGEN	1688	7M0422818A	0283043	FORD	451
7L8407152E	0384593	AUDI	95	7M0422818A	0283043	SEAT	1307
7L8407152E	0384593	VOLKSWAGEN	1688	7M0422818A	0283043	VOLKSWAGEN	1676
7L8407152F	0384593	AUDI	95	7M0422818B	0283043	FORD	451
7L8407152F	0384593	VOLKSWAGEN	1688	7M0422818B	0283043	SEAT	1307
7L8407183	1215732	AUDI	95	7M0422818B	0283043	VOLKSWAGEN	1676
7L8407183	1215732	PORSCHE	1171	7M0422831B *	0903046	SEAT	1307
7L8407183	1215732	VOLKSWAGEN	1685-1686, 1688	7M0422831B *	0903046	VOLKSWAGEN	1676
7L8501529	0704329	AUDI	96	7M0422831B	1211183	FORD	451
7L8501529	0704329	PORSCHE	1172	7M0422831B	1211183	SEAT	1307
7L8501529	0704329	VOLKSWAGEN	1687, 1689	7M0422831B	1211183	VOLKSWAGEN	1676
7L850152A	0704329	AUDI	96	7M0501541	1215216	SEAT	1307-1308
7L850152A	0704329	PORSCHE	1172	7M0501541	1215216	VOLKSWAGEN	1676-1677
7L850152A	0704329	VOLKSWAGEN	1687, 1689	7M0511413A	1214099	SEAT	1308
7LO407182G	1215882	AUDI	95	7M0511413A	1214099	VOLKSWAGEN	1677
7LO407182G	1215882	VOLKSWAGEN	1688	7M3407365A	0403972	SEAT	1307
7M0407151B	0393973	FORD	451	7M3407365A	0403972	VOLKSWAGEN	1676
7M0407151B	0393973	SEAT	1307	7M3407365C	0403972	SEAT	1307
7M0407151B	0393973	VOLKSWAGEN	1676	7M3407365C	0403972	VOLKSWAGEN	1676
7M0407152B	0383973	FORD	451	7M3411317C	0503974	FORD	452
7M0407152B	0383973	SEAT	1307	7M3411317C	0503974	SEAT	1307
7M0407152B	0383973	VOLKSWAGEN	1676	7M3411317C	0503974	VOLKSWAGEN	1676
7M0407181A	1215215	FORD	451	7M3422803	0593043	SEAT	1307
7M0407181A	1215215	SEAT	1307	7M3422803	0593043	VOLKSWAGEN	1676
7M0407181A	1215215	VOLKSWAGEN	1676	7M3422804	0583043	FORD	451
7M0407365A	0403972	SEAT	1307	7M3422804	0583043	SEAT	1307
7M0407365A	0403972	VOLKSWAGEN	1676	7M3422804	0583043	VOLKSWAGEN	1676
7M0411031	1214094	SEAT	1307	7M3422817	0293043	FORD	451
7M0411031	1214094	VOLKSWAGEN	1676	7M3422817	0293043	SEAT	1307
7M0411317	0503974	FORD	452	7M3422817	0293043	VOLKSWAGEN	1676
				7M3422818	0283043	FORD	451

RIF. ORIG. O.E. NUMBER	RIF. OCAP OCAP REF.	MARCA MAKE	PAG.	RIF. ORIG. O.E. NUMBER	RIF. OCAP OCAP REF.	MARCA MAKE	PAG.
7M3422818	0283043	SEAT	1307	8200026654	0793877	RENAULT	1204
7M3422818	0283043	VOLKSWAGEN	1676	8200026655	0783877	RENAULT	1204
7P0407021 *	1216137	PORSCHE	1170	8200040618	0593897	RENAULT	1271
7P0407021 *	1216137	VOLKSWAGEN	1688	8200041166	1215726	RENAULT	1181, 1188- 1189, 1217, 1256
7P0407021	0305562	PORSCHE	1170				
7P0407021	0305562	VOLKSWAGEN	1688	8200050191	0583897	RENAULT	1271
7P0407151E	0394593	AUDI	95	8200054003	0793808	NISSAN	972
7P0407151E	0394593	VOLKSWAGEN	1688	8200054003	0793808	OPEL	1065
7P0407152E	0384593	AUDI	95	8200054003	0793808	RENAULT	1267
7P0407152E	0384593	VOLKSWAGEN	1688	8200054003	0793808	VAUXHALL	1570
801279	0380412	FORD	426	8200054006	0783808	NISSAN	972
801287	0390412	FORD	426	8200054006	0783808	OPEL	1065
8021-32-320A	0303392	MAZDA	714	8200054006	0783808	RENAULT	1267
8021-99-322	0281266	MAZDA	714-715, 723, 745	8200054006	0783808	VAUXHALL	1570
				8200127308	0504410	RENAULT	1181, 1188- 1189
8021-99-324	0293425	MAZDA	714, 745				
803407365	0400548	AUDI	117	8200150759	1214258	RENAULT	1216, 1255
803419811A	0180549	AUDI	118	8200166159	0503898	MERCEDES	839
8038-99-322	0283414	MAZDA	728, 735	8200166159	0503898	RENAULT	1201, 1218, 1256
8070288 *	0184166-K	SAAB	1298				
811407181	1215160	AUDI	107-108, 110	8200166160	0504172	RENAULT	1218
811407181	1215160	VOLKSWAGEN	1633	8200183569	1215725	RENAULT	1188
811407181A	1215160	AUDI	107-108, 110	8200197179	0793209	NISSAN	941, 970
811407181A	1215160	VOLKSWAGEN	1633	8200197179	0793209	RENAULT	1186, 1200, 1263
811411327A	1215387	AUDI	107, 109, 112				
811411327A	1215387	VOLKSWAGEN	1634	8200197181	0793145	RENAULT	1187, 1200, 1263
811419801B	0595002	AUDI	106				
811419801C	0592016	AUDI	87, 106, 108, 110, 113, 115	8200197187	0783209	NISSAN	941, 970
				8200197187	0783209	RENAULT	1186, 1200, 1263
811419801C	0592016	VOLKSWAGEN	1633				
811419801E	0592016	AUDI	87, 106, 108, 110, 113, 115	8200197189	0783145	RENAULT	1187, 1200, 1263
811419801E	0592016	VOLKSWAGEN	1633	8200216376	0792452	DACIA	318
811419802J	0582015	AUDI	106, 108	8200216377	0782452	DACIA	318
811419802J	0582015	VOLKSWAGEN	1633, 1635	8200242025	1215688	RENAULT	1181, 1189, 1217, 1256
811419812A	0282012	AUDI	86-87, 106, 108, 110, 113, 115				
				8200247898	0793808	NISSAN	972
811419812A	0282012	VOLKSWAGEN	1633, 1635	8200247898	0793808	OPEL	1065
811419831B *	0902425	VOLKSWAGEN	1633, 1635	8200247898	0793808	RENAULT	1267
811419831B	1211086	AUDI	86-87, 108, 110, 113, 115	8200247898	0793808	VAUXHALL	1570
				8200247900	0783808	NISSAN	972
811419831B	1211086	VOLKSWAGEN	1633, 1635, 1637	8200247900	0783808	OPEL	1065
				8200247900	0783808	RENAULT	1267
8151474 *	0182543-K	SAAB	1306	8200247900	0783808	VAUXHALL	1570
8173-99-322	0281268	MAZDA	723	8200255760	0794172	RENAULT	1217
8173-99-356	0403383	MAZDA	715, 723, 745	8200255761	0784172	RENAULT	1217
81EU3289B	0180647	FORD	421	8200266038	0792132	RENAULT	1193
81EU3304B	0500646	FORD	421	8200266041	0782132	RENAULT	1193
81EU3395B	0400009	FORD	421	8200272594	1214255	RENAULT	1204
8200002868	1215640	NISSAN	954, 972	8200273728	0793877	RENAULT	1204
8200002868	1215640	OPEL	1065-1067	8200273729	0783877	RENAULT	1204
8200002868	1215640	RENAULT	1193, 1204, 1267-1269	8200277960	0902453	DACIA	316, 318-319
				8200277960	0902453	RENAULT	1264
8200002868	1215640	VAUXHALL	1570	8200287912	1216021	DACIA	317-318
8200002869	1215641	NISSAN	954, 972				
8200002869	1215641	OPEL	1065-1067	8200298454	0794173	RENAULT	1181, 1217, 1256
8200002869	1215641	RENAULT	1193, 1204, 1267-1269				
				8200298455	0784173	RENAULT	1181, 1217, 1256
8200002869	1215641	VAUXHALL	1570				
8200002870	0503878	NISSAN	954, 972	8200346941	0794406	RENAULT	1188
8200002870	0503878	OPEL	1066-1067	8200346942 **	1215725	RENAULT	1188
8200002870	0503878	RENAULT	1193, 1204, 1268-1269	8200346942	0784406	RENAULT	1188
				8200389134	0793877	RENAULT	1204
8200002870	0503878	VAUXHALL	1570	8200389135	0783877	RENAULT	1204
8200024373	1214257	RENAULT	1271	8200395007	0394627	NISSAN	972
				8200395007	0394627	OPEL	1066

RIF. ORIG. O.E. NUMBER	RIF. OCAP OCAP REF.	MARCA MAKE	PAG.	RIF. ORIG. O.E. NUMBER	RIF. OCAP OCAP REF.	MARCA MAKE	PAG.	
8200395007	0394627	RENAULT	1268	8200750273	0391495	RENAULT	1210	
8200395034	0384627	NISSAN	972	8200750274	0381495	RENAULT	1210	
8200395034	0384627	OPEL	1066	8200763290	0782727	RENAULT	1272	
8200395034	0384627	RENAULT	1268	8200763294	0792727	RENAULT	1272	
8200423382	0782132	RENAULT	1193	8200763296 *	0402727	RENAULT	1272	
8200427868	1216367	RENAULT	1205	8200763296	0782727	RENAULT	1272	
8200427869	1216366	RENAULT	1205	8200763301	0792727	RENAULT	1272	
8200457208	0794173	RENAULT	1181, 1256	1217,	8200814411	0502453	DACIA	317
8200457209	0784173	RENAULT	1181, 1256	1217,	8200814411	0502453	RENAULT	1206
8200458813	0792132	RENAULT	1193	8200820918	0782452	DACIA	318	
8200458814	0782132	RENAULT	1193	8200820930	0792452	DACIA	318	
8200484810	0792132	RENAULT	1193	8200852550	1214086	DACIA	317	
8200484811	0782132	RENAULT	1193	8200876657	0384627	NISSAN	972	
8200554863	1214260	RENAULT	1272	8200876657	0384627	OPEL	1066	
8200586561 *	0493214	MERCEDES	839	8200876657	0384627	RENAULT	1268	
8200586561 *	0493214	RENAULT	1201	8200876659	0394627	NISSAN	972	
8200586561 **	1215954	MERCEDES	839	8200876659	0394627	OPEL	1066	
8200586561 **	1215954	RENAULT	1201	8200876659	0394627	RENAULT	1268	
8200586561	0793214	MERCEDES	839	8200891487	0902728	RENAULT	1272	
8200586561	0793214	RENAULT	1201	8200942392	0792727	RENAULT	1272	
8200586567 *	0483214	MERCEDES	839	8200942396	0782727	RENAULT	1272	
8200586567 *	0483214	RENAULT	1201	8200942407	0793145	RENAULT	1187, 1200, 1263	
8200586567 **	1215955	MERCEDES	839	8200942408	0783145	RENAULT	1187, 1200, 1263	
8200586567 **	1215955	RENAULT	1201	8201108332	0282453	DACIA	317	
8200586567	0783214	MERCEDES	839	8201108339	0292453	DACIA	317	
8200586567	0783214	RENAULT	1201	8201108350 *	0602453	DACIA	317	
8200597258	1216367	RENAULT	1205	8201108350	0902451	DACIA	317	
8200597259	1216366	RENAULT	1205	8201108358	0902452	DACIA	317	
8200602612	0793877	RENAULT	1204	82275679	0180027	LANCIA	661	
8200602613	0783877	RENAULT	1204	82275680	0190027	LANCIA	661	
8200602616	0792132	RENAULT	1193	82276856	0402104	LANCIA	661	
8200602617	0782132	RENAULT	1193	82315790	0190099	LANCIA	661	
8200602619	0792132	RENAULT	1193	823407147	0702048	AUDI	105	
8200602620	0782132	RENAULT	1193	823407147	0702048	VOLKSWAGEN	1590, 1632	
8200603492	0902728	RENAULT	1272	823407181	1215161	AUDI	105	
8200615057	0794406	RENAULT	1188	823407181	1215161	VOLKSWAGEN	1632	
8200615058 **	1215725	RENAULT	1188	823407365C	0400543	AUDI	105	
8200615058	0784406	RENAULT	1188	823407365C	0400543	VOLKSWAGEN	1632	
8200626959	0394627	NISSAN	972	823407365E *	0400544-K	AUDI	107-108	
8200626959	0394627	OPEL	1066	823407365E *	0400544-K	VOLKSWAGEN	1633	
8200626959	0394627	RENAULT	1268	823407365E	0400544	AUDI	107-108	
8200626961	0384627	NISSAN	972	823407365E	0400544	VOLKSWAGEN	1633	
8200626961	0384627	OPEL	1066	823411327B	1214065	AUDI	107, 109, 112	
8200626961	0384627	RENAULT	1268	823411327B	1214065	VOLKSWAGEN	1634	
8200669065	0503898	MERCEDES	839	823419801D	0500540	AUDI	105	
8200669065	0503898	RENAULT	1201, 1256	1218,	823419801D	0500540	VOLKSWAGEN	1632
8200669066	0504172	RENAULT	1218	823419801F	0500540	AUDI	105	
8200679063	0794173	RENAULT	1181, 1256	1217,	823419801F	0500540	VOLKSWAGEN	1632
8200679067	0784173	RENAULT	1181, 1256	1217,	823419802C	0500540	AUDI	105
8200688832 *	1216016	RENAULT	1211	823419802C	0500540	VOLKSWAGEN	1632	
8200688871 *	1216017	NISSAN	955	823419831	1211085	AUDI	105-106	
8200688871	0391536	RENAULT	1211	82346006	0400101	LANCIA	654-655	
8200688875 *	1216017	NISSAN	955	82351944	1215378	LANCIA	656	
8200688875	0381536	RENAULT	1211	82351945	0280123	LANCIA	654	
8200688877	0401536	RENAULT	1211	82355565	0600519	LANCIA	654	
8200714955	1216367	RENAULT	1205	82370203	0790668	LANCIA	655	
8200714956	1216366	RENAULT	1205	82370204	0780668	LANCIA	655	
8200737132	0791365	RENAULT	1254	82374408	1215376	LANCIA	656	
8200737133	0781365	RENAULT	1254	82376980 *	0181316-K	FIAT	350	
8200742906	1216218	RENAULT	1188, 1256	1218,	82379406	1215377	LANCIA	656
					82387676	0282029	ALFA ROMEO	14
					82387676	0282029	FIAT	348
					82387676	0282029	LANCIA	657, 662, 667

RIF. ORIG. O.E. NUMBER	RIF. OCAP OCAP REF.	MARCA MAKE	PAG.	RIF. ORIG. O.E. NUMBER	RIF. OCAP OCAP REF.	MARCA MAKE	PAG.
82388433	1215090	ALFA ROMEO	14-15	8559-99-354	0403419	MAZDA	728
82388433	1215090	FIAT	349	857407147A	0792055	AUDI	109, 111, 113
82388433	1215090	LANCIA	668	857407147A	0792055	VOLKSWAGEN	1634-1635
82388433	1215090	SAAB	1306	857407148A	0782055	AUDI	109, 111, 113
82391820	0790668	LANCIA	655	857407148A	0782055	VOLKSWAGEN	1634-1635
82391821	0780668	LANCIA	655	857407181	1215162	AUDI	109, 111, 113, 115
82392503	0182030	FIAT	348	857407181	1215162	VOLKSWAGEN	1634-1635
82392503	0182030	LANCIA	667	857407479A	0182069	AUDI	112
82398170	0402035	ALFA ROMEO	14	857501499C	0502092	AUDI	86, 109
82398170	0402035	FIAT	349	857505365	0402068	AUDI	86, 109, 114
82398170	0402035	LANCIA	668	857505365	0402068	CITROEN	283
82398735 *	0181316-K	FIAT	350	8580735	0286616	IVECO	587
82403643	1215351	FIAT	350	8584193	0280515	ALFA ROMEO	22
82404618	0501341	FIAT	350	8584193	0280515	FIAT	384
82412746	1215421	FIAT	350	8584193	0280515	IVECO	587
82420623	0400407	FIAT	349	861407151B	0300534	AUDI	103
82420623	0400407	LANCIA	668	861407151B	0300534	VOLKSWAGEN	1657-1658
82443635 *	0181316-K	FIAT	350	861407183	1214124	VOLKSWAGEN	1657
82443635	0181316	FIAT	350	861411329 *	0900040	VOLKSWAGEN	1598
82443635	0181316	LANCIA	668	861411329 *	0902419	VOLKSWAGEN	1598
82446499	0402035	FIAT	349	861411331 *	0181099-K	SEAT	1328
82446499	0402035	LANCIA	668	861411331 *	0181099-K	VOLKSWAGEN	1598
82457524 *	0181304-K	ALFA ROMEO	15	861411331 *	0181236-K	SEAT	1328
82457524 *	0181304-K	FIAT	350	861411331 *	0181236-K	VOLKSWAGEN	1595
82457524 *	0181304-K	LANCIA	668	861411331 *	0181897-K	SEAT	1330
82457524	0181303	ALFA ROMEO	15	861411331 *	0181897-K	VOLKSWAGEN	1664
82457524	0181303	FIAT	350	861411331 *	0181898-K	SEAT	1330
82457524	0181303	LANCIA	668	861411331 *	0181898-K	VOLKSWAGEN	1664
82460439	0282029	ALFA ROMEO	14	861419801C	0590530	AUDI	102
82460439	0282029	FIAT	348	861419801C	0590530	VOLKSWAGEN	1656
82460439	0282029	LANCIA	657, 662, 667	861419801D	0590530	AUDI	102
82461081	0390036	FIAT	341, 396	861419802	0580530	VOLKSWAGEN	1656
82461081	0390036	LANCIA	653, 658	861419802	0580531	VOLKSWAGEN	1656
82461082	0380036	FIAT	341, 396	861419802A	0580530	AUDI	102
82461082	0380036	LANCIA	653, 658	861419802A	0580530	VOLKSWAGEN	1656
82463956	0402197	LANCIA	657	861419826A	0190532	AUDI	102
82480099	0401014	LANCIA	662	861419831A	1211083	AUDI	102
82490743	0501016	LANCIA	663	861419831A	1211083	VOLKSWAGEN	1656
82490744	0181016	LANCIA	663	861419831B	1211084	AUDI	102
82490745	0191016	LANCIA	663	861419831B	1211084	VOLKSWAGEN	1656, 1658
83398688 *	0181316-K	FIAT	350	861419832	1211225	AUDI	102
83398688	1214019	FIAT	350	861419832	1211225	VOLKSWAGEN	1656, 1658
83398688	1214019	LANCIA	668	861419862A	0190532	VOLKSWAGEN	1656
83BB-3L-519-EA	0601113	FORD	480	8623576	0504346	FORD	447, 449, 460-461, 486
8416129	0590353	VOLVO	1741	8623576	0504346	MAZDA	713
8416130	0580353	VOLVO	1741	8623576	0504346	VOLVO	1717, 1722
8531-32-320	0303393	MAZDA	715, 735	8623955	0393841	VOLVO	1724
8531-99-322A	0281266	MAZDA	714-715, 723, 745	8623956	0383841	VOLVO	1724
8531-99-324	0291265	MAZDA	715, 723	862419802	0580531	AUDI	102
8531-99-356	0403383	MAZDA	715, 723, 745	8628495	0393073	VOLVO	1729
853407365	0402016	AUDI	108	8628496	0383073	VOLVO	1729
853407365	0402016	VOLKSWAGEN	1635	8628497	0393074	VOLVO	1729, 1745
855407365	0492093	AUDI	110	8628498	0383074	VOLVO	1729, 1745
855407365A	0492016	AUDI	109, 111	8628703	0501681	ALFA ROMEO	28
855407365A	0492016	VOLKSWAGEN	1634-1635	8628703	0501681	FIAT	383
855407365B	0492016	AUDI	109, 111	8628703	0501681	OPEL	1033
855407365B	0492016	VOLKSWAGEN	1634-1635	8628703	0501681	VOLVO	1729, 1745
855407366	0482093	AUDI	110	8630604	1215676	VOLVO	1724-1725
855407366A	0482016	AUDI	109, 111	8630605	1215739	VOLVO	1731
855407366A	0482016	VOLKSWAGEN	1634-1635	8646064	0704498	FORD	445, 448, 450
855407366B	0482016	AUDI	109, 111	8646064	0704498	MAZDA	713
855407366B	0482016	VOLKSWAGEN	1634-1635	8646064	0704498	VOLVO	1717, 1723
855407469	0182069	AUDI	112	8649541	0393841	VOLVO	1724
8559-32-220	0303426	MAZDA	745				

RIF. ORIG. O.E. NUMBER	RIF. OCAP OCAP REF.	MARCA MAKE	PAG.	RIF. ORIG. O.E. NUMBER	RIF. OCAP OCAP REF.	MARCA MAKE	PAG.
8649542	0383841	VOLVO	1724	8-94374-424-0 *	0402956-K	ISUZU	580, 586
8649543	0393843	VOLVO	1724	8-94374-424-0 *	0402956-K	OPEL	1035
8649544	0383843	VOLVO	1724	8-94374-424-0 *	0402956-K	VAUXHALL	1559
8649545	0394348	VOLVO	1731	8-94374-424-0	0402956	ISUZU	580, 586
8649546	0384348	VOLVO	1731	8-94374-424-0	0402956	OPEL	1035
8650-99-356	0403417	MAZDA	728, 735	8-94374-424-0	0402956	VAUXHALL	1559
8661476	1215191	SAAB	1306	8-94374-424-2	0402956	ISUZU	580, 586
8671921	0702739	FORD	445, 447, 450	8-94374-424-2	0402956	OPEL	1035
8671921	0702739	MAZDA	713	8-94374-424-2	0402956	VAUXHALL	1559
8671921	0702739	VOLVO	1717, 1723	8-94374-424-4	0402956	ISUZU	580, 586
8672446	0503879	VOLVO	1725, 1731, 1734	8-94374-424-4	0402956	OPEL	1035
867411313	1215375	AUDI	103	8-94374-424-4	0402956	VAUXHALL	1559
867411313	1215375	VOLKSWAGEN	1657-1658	8-94389-210-0	0500458	ISUZU	581
871419801A	0590870	VOLKSWAGEN	1658	8-94419-408-0	0280456	ISUZU	578, 581, 586
871419802	0580870	VOLKSWAGEN	1658	8-94419-409-0	0290456	ISUZU	578, 581, 586
872419802A	0580532	VOLKSWAGEN	1658	8-94445-550-1	0783376	ISUZU	578
8732000422	0284017	RENAULT	1178	8-94445-551-0	0793376	ISUZU	578
8818976	0404101	VAUXHALL	1569	8-94452-102-0	0401424	ISUZU	580-581, 586
8819219	0280702	INNOCENTI	577	8-94452-102-0	0401424	OPEL	1034-1035
8819219	0280702	ROVER GROUP	1274, 1278, 1280	8-94452-102-0	0401424	VAUXHALL	1558-1559
8819219	0280702	VAUXHALL	1569	8-94452-102-1	0401424	ISUZU	580-581, 586
8845298	0280787	OPEL	1025	8-94452-102-1	0401424	OPEL	1034-1035
8845298	0280787	VAUXHALL	1546	8-94452-102-1	0401424	VAUXHALL	1558-1559
890494	0400857	VOLVO	1742	8-94452-106-1	0403375	ISUZU	584
8905416	0400827	SAAB	1296-1297	8-94459-453-2	0400420	ISUZU	578, 581-585
8924177	0280829	SAAB	1296	8-94459-453-3	0400420	ISUZU	578, 581-585
893407147C	0792055	AUDI	109, 111, 113	8-94459-453-4	0400420	ISUZU	578, 581-585
893407147C	0792055	VOLKSWAGEN	1634-1635	8-94459-460-2	0783377	ISUZU	581
893407147E	0792055	AUDI	111	8-94459-461-2	0793377	ISUZU	581
893407147G	0700463	AUDI	107-108, 110	8-94459-464-0	0400422	ISUZU	581
893407147G	0700463	VOLKSWAGEN	1633	8-94459-464-1	0400422	ISUZU	581
893407148C	0782055	AUDI	109, 111, 113	8-94459-464-2	0400422	ISUZU	581
893407148C	0782055	VOLKSWAGEN	1634-1635	8-94459-465-2	0401424	ISUZU	580-581, 586
893407148E	0782055	AUDI	111	8-94459-465-2	0401424	OPEL	1034-1035
893407365A	0492002	AUDI	110, 113	8-94459-465-2	0401424	VAUXHALL	1558-1559
893407365E	0492061	AUDI	111	8-94459-465-2	0401424	ISUZU	578, 581, 586
893407365F	0492004	AUDI	87, 111, 113	8-94459-481-0	0290456	ISUZU	578, 581, 586
893407366A	0482002	AUDI	110, 113	8-94459-481-0	0290456	ISUZU	578, 581, 586
893407366E	0482061	AUDI	111	8-94459-494-2	0401424	ISUZU	580-581, 586
893407366F	0482004	AUDI	87, 111, 113	8-94459-494-2	0401424	OPEL	1034-1035
893411327E	1214137	AUDI	87, 112	8-94459-494-2	0401424	VAUXHALL	1558-1559
893419802	0582008	AUDI	87, 110, 113, 115	8947624	0602540	SAAB	1296-1297
893505365C	0490451	AUDI	88, 114	8953896 *	0182543-K	SAAB	1306
893505366C	0480451	AUDI	88, 114	8953896	1214019	SAAB	1306
8937088	0602540	SAAB	1296-1297	8953986	1214261	SAAB	1306
8-94217-221-3	0600424	ISUZU	582-583	895407147A	0790098	AUDI	115
8-94223-221-2	0783013	ISUZU	584	895407148A	0780098	AUDI	115
8-94223-222-2	0793013	ISUZU	584	895407365A	0492108	AUDI	115
8-94224-550-3	0400420	ISUZU	578, 581-585	895407366A	0482108	AUDI	115
8-94224-552-2	0403013	ISUZU	582, 584-585	895505389	0502096	AUDI	88, 114
8-94226-936-1	0703012	ISUZU	583	8957045	0401307	SAAB	1306
8-94237-351-1	0280455	ISUZU	582-583, 585	8957839	0281305	SAAB	1305
8-94237-366-1	0500426	ISUZU	583, 585	8958944 *	0182543-K	SAAB	1306
8-94243-232-0	0783012	ISUZU	584	8958944	0182543	SAAB	1306
8-94243-233-0	0793012	ISUZU	584	8960171 *	0182543-K	SAAB	1306
8-94243-234-0	0400420	ISUZU	578, 581-585	8961476	1215191	SAAB	1306
8-94246-419-0	0783377	ISUZU	581	8962243 *	0902542	SAAB	1296, 1305
8-94246-420-0	0793377	ISUZU	581	8962243	1211151	SAAB	1296, 1305
8-94246-475-1	0403013	ISUZU	582, 584-585	8962250	0601306	SAAB	1305
8-94323-562-1	0780420	ISUZU	581	8962516 *	0902542	SAAB	1296, 1305
8-94323-563-1	0790420	ISUZU	581	8962516	1211096	SAAB	1296, 1305
8943268	0600828	SAAB	1296	8965252	1215090	ALFA ROMEO	14-15
				8965252	1215090	FIAT	349
				8965252	1215090	LANCIA	668
				8965252	1215090	SAAB	1306
				8965253	1215090	ALFA ROMEO	14-15

RIF. ORIG. O.E. NUMBER	RIF. OCAP OCAP REF.	MARCA MAKE	PAG.	RIF. ORIG. O.E. NUMBER	RIF. OCAP OCAP REF.	MARCA MAKE	PAG.
8965253	1215090	FIAT	349	8AG1-34-100	0502656	MAZDA	725
8965253	1215090	LANCIA	668	8AG3-32-280	0281593	MAZDA	720, 726-727, 736, 742-743, 747
8965253	1215090	SAAB	1306				
8-97018-227-2	0583895	ISUZU	586				
8-97018-227-2	0583895	OPEL	1034-1035	8AG4-32-280	0281593	MAZDA	720, 726-727, 736, 742-743, 747
8-97018-227-2	0583895	VAUXHALL	1558-1559				
8-97018-228-2	0593895	ISUZU	586	8AH1-32-280	0280347	MAZDA	724-725, 729
8-97018-228-2	0593895	OPEL	1034-1035	8AL1-32-280	0281591	MAZDA	736
8-97018-228-2	0593895	VAUXHALL	1558-1559	8AN1-32-280	0284490	MAZDA	738-739
8972135	0401307	SAAB	1306	8AU1-32-280	0292935	MAZDA	731
8-97235-777-0	0405570	ISUZU	580	8AU1-34-540	0402936	FORD	474, 476
8-97235-786-1	0585570	ISUZU	580	8AU134540	0402936	FORD	474, 476
8-97235-787-1	0595570	ISUZU	580	8AU1-34-540	0402936	MAZDA	731-732
8-97304-855-0	0285570	ISUZU	580	8AU134540	0402936	MAZDA	731-732
8-97304-928-0	0285570	ISUZU	580	8AU2-32-270	0282934	FORD	474
8-97365-018-0	0405570	ISUZU	580	8AU232270	0282934	FORD	474
8-97365-019-0	0402956	ISUZU	580, 586	8AU2-32-270	0282934	MAZDA	731
8-97365-019-0	0402956	OPEL	1035	8AU232270	0282934	MAZDA	731
8-97365-019-0	0402956	VAUXHALL	1559	8AU2-34-510	0402937	MAZDA	731
8-97365-020-0	0401424	ISUZU	580-581, 586	8AU334510	0403829	FORD	475
8-97365-020-0	0401424	OPEL	1034-1035	8AU3-34-510	0404589	MAZDA	731
8-97365-020-0	0401424	VAUXHALL	1558-1559	8D0407151E	0302042	AUDI	49, 66, 69, 78
8977995	0400756	VAUXHALL	1552	8D0407151E	0302042	SKODA	1388
8-97940-625-0	0400420	ISUZU	578, 581-585	8D0407151E	0302042	VOLKSWAGEN	1641, 1644
8-97944-568-0	0585570	ISUZU	580	8D0407505B	0392044	AUDI	50, 67
8-97944-569-0	0595570	ISUZU	580	8D0407505B	0392044	SKODA	1389
8-97944-575-0	0505571	ISUZU	580	8D0407505B	0392044	VOLKSWAGEN	1642, 1645
8-98005-826-0	0402956	ISUZU	580, 586	8D0407505F	0392044	AUDI	50, 67
8-98005-826-0	0402956	OPEL	1035	8D0407505F	0392044	SKODA	1389
8-98005-826-0	0402956	VAUXHALL	1559	8D0407505F	0392044	VOLKSWAGEN	1642, 1645
8-98005827-0	0405570	ISUZU	580	8D0407505H	0392044	AUDI	50, 67
8-98005-827-00	0405570	ISUZU	580	8D0407505H	0392044	SKODA	1389
8-98005-874-0	0401424	ISUZU	580-581, 586	8D0407505H	0392044	VOLKSWAGEN	1642, 1645
8-98005-874-0	0401424	OPEL	1034-1035	8D0407505K	0392044	AUDI	50, 67
8-98005-874-0	0401424	VAUXHALL	1558-1559	8D0407505K	0392044	SKODA	1389
8-98055-744-0	0605570	ISUZU	580	8D0407505K	0392044	VOLKSWAGEN	1642, 1645
8-98055-746-0	0285570	ISUZU	580	8D0407506B	0382044	AUDI	50, 67
8-98056-550-0	0605571	ISUZU	580	8D0407506B	0382044	SKODA	1389
8-98056-551-0	0285570	ISUZU	580	8D0407506B	0382044	VOLKSWAGEN	1642, 1645
8985160	0280829	SAAB	1296	8D0407506F	0382044	AUDI	50, 67
8985384	0400827	SAAB	1296-1297	8D0407506F	0382044	SKODA	1389
8988941	0600828	SAAB	1296	8D0407506F	0382044	VOLKSWAGEN	1642, 1645
8993321	0400827	SAAB	1296-1297	8D0407506H	0382044	AUDI	50, 67
8993339	0282400	SAAB	1295	8D0407506H	0382044	SKODA	1389
8993347	0280826	SAAB	1295	8D0407506H	0382044	VOLKSWAGEN	1642, 1645
8993354	0280829	SAAB	1296	8D0407506K	0382044	AUDI	50, 67
8993453	0281305	SAAB	1305	8D0407506K	0382044	SKODA	1389
8993560	0282541	SAAB	1297	8D0407506K	0382044	VOLKSWAGEN	1642, 1645
8994212	0401307	SAAB	1306	8D0407509	0391892	AUDI	56, 70
8A0407181	1215162	AUDI	109, 111, 113, 115	8D0407509	0391892	SEAT	1322
8A0407181	1215162	VOLKSWAGEN	1634-1635	8D0407509	0391892	SKODA	1389
8A0407365	0492005	AUDI	87, 115	8D0407509	0391892	VOLKSWAGEN	1645
8A0407366	0482005	AUDI	87, 115	8D0407509A	0391892	AUDI	56, 70
8A0407465C	0502097	AUDI	116	8D0407509A	0391892	SEAT	1322
8A0501530B	0502098	AUDI	116	8D0407509A	0391892	SKODA	1389
8A0501530C	0502098	AUDI	116	8D0407509A	0391892	VOLKSWAGEN	1645
8A0505465C	0592099	AUDI	51, 88, 116	8D0407509C	0392047	AUDI	50, 53, 67, 79- 80
8A0505466C	0582099	AUDI	51, 88, 116	8D0407509C	0392047	SKODA	1389
8AB1-32-280	0283379	KIA	631	8D0407509C	0392047	VOLKSWAGEN	1642, 1645
8AB1-32-280	0283379	MAZDA	708, 717	8D0407509E	0392047	AUDI	50, 53, 67, 79- 80
8AB2-32-280	0283395	MAZDA	708, 718-719, 734, 737, 745	8D0407509E	0392047	SKODA	1389
8AF1-32-280	0282563	MAZDA	745	8D0407509E	0392047	VOLKSWAGEN	1642, 1645
8AG1-28-100A	0504587	MAZDA	718, 724-725	8D0407509F	0391892	AUDI	56, 70

RIF. ORIG. O.E. NUMBER	RIF. OCAP OCAP REF.	MARCA MAKE	PAG.	RIF. ORIG. O.E. NUMBER	RIF. OCAP OCAP REF.	MARCA MAKE	PAG.
8D0407509F	0391892	SEAT	1322	8E0407151M	0301891	SEAT	1321
8D0407509F	0391892	SKODA	1389	8E0407151N	0301891	AUDI	52, 55
8D0407509F	0391892	VOLKSWAGEN	1645	8E0407151N	0301891	SEAT	1321
8D0407509G	0392045	AUDI	50, 78	8E0407151R	0301891	AUDI	52, 55
8D0407509G	0392045	VOLKSWAGEN	1642	8E0407151R	0301891	SEAT	1321
8D0407510	0381892	AUDI	56, 70	8E0407181B	1215585	AUDI	52, 55
8D0407510	0381892	SEAT	1322	8E0407181B	1215585	SEAT	1321
8D0407510	0381892	SKODA	1389	8E0407181C	1215585	AUDI	52, 55
8D0407510	0381892	VOLKSWAGEN	1645	8E0407505A *	0904523-K	VOLKSWAGEN	1646
8D0407510A	0381892	AUDI	56, 70	8E0407505A **	0904524-K	VOLKSWAGEN	1646
8D0407510A	0381892	SEAT	1322	8E0407505A	0391900	AUDI	53, 56, 70
8D0407510A	0381892	SKODA	1389	8E0407505A	0391900	SKODA	1389
8D0407510A	0381892	VOLKSWAGEN	1645	8E0407505C	0391900	AUDI	53, 56, 70
8D0407510C	0382047	AUDI	50, 53, 67, 79-80	8E0407505C	0391900	SEAT	1322
8D0407510C	0382047	SKODA	1389	8E0407505C	0391900	SKODA	1389
8D0407510C	0382047	VOLKSWAGEN	1642, 1645	8E0407505C	0391900	VOLKSWAGEN	1645
8D0407510E	0382047	AUDI	50, 53, 67, 79-80	8E0407505D	0391900	SEAT	1322
8D0407510E	0382047	SKODA	1389	8E0407505E	0391900	SEAT	1322
8D0407510E	0382047	VOLKSWAGEN	1642, 1645	8E0407505L	0391900	SEAT	1322
8D0407510F	0381892	AUDI	56, 70	8E0407505P	0391900	SEAT	1322
8D0407510F	0381892	SEAT	1322	8E0407506A *	0904523-K	VOLKSWAGEN	1646
8D0407510F	0381892	SKODA	1389	8E0407506A **	0904524-K	VOLKSWAGEN	1646
8D0407510F	0381892	VOLKSWAGEN	1645	8E0407506A	0381900	AUDI	53, 56, 70
8D0407510G	0382045	AUDI	50, 78	8E0407506A	0381900	SKODA	1389
8D0407510G	0382045	VOLKSWAGEN	1642	8E0407506A	0381900	VOLKSWAGEN	1645
8D0407515A	1215155	AUDI	50, 53, 56, 67, 70, 72-73, 78-80, 83	8E0407506C	0381900	AUDI	53, 56, 70
8D0407515A	1215155	SKODA	1389	8E0407506C	0381900	SEAT	1322
8D0407515A	1215155	VOLKSWAGEN	1642, 1655	8E0407506C	0381900	SKODA	1389
8D0407515B	1215155	AUDI	50, 53, 56, 67, 70, 72-73, 78-80, 83	8E0407506C	0381900	VOLKSWAGEN	1645
8D0407515B	1215155	SKODA	1389	8E0407506D	0381900	SEAT	1322
8D0407515B	1215155	VOLKSWAGEN	1642, 1645, 1655	8E0407506E	0381900	SEAT	1322
8D0411317D *	0904523-K	VOLKSWAGEN	1646	8E0407506L	0381900	SEAT	1322
8D0411317D	0591902	AUDI	51, 67, 71	8E0407506P	0381900	SEAT	1322
8D0411317D	0591902	SKODA	1390	8E0407509A *	0904523-K	VOLKSWAGEN	1646
8D0411317D	0591902	VOLKSWAGEN	1642, 1646	8E0407509A **	0904524-K	VOLKSWAGEN	1646
8D0411318D *	0904523-K	VOLKSWAGEN	1646	8E0407509A	0392047	AUDI	50, 53, 67, 79-80
8D0411318D	0581902	AUDI	51, 67, 71	8E0407509A	0392047	SKODA	1389
8D0411318D	0581902	SKODA	1390	8E0407509A	0392047	VOLKSWAGEN	1642, 1645
8D0411318D	0581902	VOLKSWAGEN	1642, 1646	8E0407509C	0391892	AUDI	56, 70
8D0419831	1211187	AUDI	49	8E0407509C	0391892	SEAT	1322
8D0419831	1211187	SKODA	1388	8E0407509C	0391892	SKODA	1389
8D0419831J *	0902040	VOLKSWAGEN	1641	8E0407509C	0391892	VOLKSWAGEN	1645
8D0419831J *	0902422	SKODA	1388	8E0407509P	0391892	AUDI	56, 70
8D0419831J	1211187	VOLKSWAGEN	1641	8E0407509P	0391892	SEAT	1322
8D0419831K	1211211	AUDI	66, 69, 80	8E0407509P	0391892	SKODA	1389
8D0498998 *	0904185-K	AUDI	51, 68	8E0407509P	0391892	VOLKSWAGEN	1645
8D0498998 *	0904185-K	VOLKSWAGEN	1643	8E0407510A *	0904523-K	VOLKSWAGEN	1646
8D0501530	0502196	AUDI	51	8E0407510A **	0904524-K	VOLKSWAGEN	1646
8D0501541A	1216235	AUDI	51	8E0407510A	0382047	AUDI	50, 53, 67, 79-80
8D0505465	0592099	AUDI	51, 88, 116	8E0407510A	0382047	SKODA	1389
8DO419831K	1211211	VOLKSWAGEN	1644	8E0407510A	0382047	VOLKSWAGEN	1642, 1645
8E0407151E	0301891	AUDI	52, 55	8E0407510C	0381892	AUDI	56, 70
8E0407151E	0301891	SEAT	1321	8E0407510C	0381892	SEAT	1322
8E0407151K	0301891	AUDI	52, 55	8E0407510C	0381892	SKODA	1389
8E0407151K	0301891	SEAT	1321	8E0407510C	0381892	VOLKSWAGEN	1645
8E0407151L	0301891	AUDI	52, 55	8E0407510P	0381892	AUDI	56, 70
8E0407151L	0301891	SEAT	1321	8E0407510P	0381892	SEAT	1322
8E0407151M	0301891	AUDI	52, 55	8E0407510P	0381892	SKODA	1389
				8E0407510P	0381892	VOLKSWAGEN	1645
				8E0407693	0392043	AUDI	50, 53, 67, 70, 78, 80
				8E0407693	0392043	SKODA	1389
				8E0407693	0392043	VOLKSWAGEN	1642, 1645

RIF. ORIG. O.E. NUMBER	RIF. OCAP OCAP REF.	MARCA MAKE	PAG.	RIF. ORIG. O.E. NUMBER	RIF. OCAP OCAP REF.	MARCA MAKE	PAG.
8E0407693AA	0392297	AUDI	56	8E0407694E	0382043	SKODA	1389
8E0407693AA	0392297	SEAT	1321	8E0407694E	0382043	VOLKSWAGEN	1642, 1645
8E0407693AC	0392297	AUDI	56	8E0407694H	0382043	AUDI	50, 53, 67, 70, 78, 80
8E0407693AC	0392297	SEAT	1321	8E0407694H	0382043	SKODA	1389
8E0407693AF	0392297	AUDI	56	8E0407694H	0382043	VOLKSWAGEN	1642, 1645
8E0407693AF	0392297	SEAT	1321	8E0407694K	0382043	AUDI	50, 53, 67, 70, 78, 80
8E0407693AG	0392043	AUDI	50, 53, 67, 70, 78, 80	8E0407694K	0382043	SKODA	1389
8E0407693AG	0392043	SKODA	1389	8E0407694K	0382043	VOLKSWAGEN	1642, 1645
8E0407693AG	0392043	VOLKSWAGEN	1642, 1645	8E0407694N	0382297	AUDI	56
8E0407693AJ	0392297	AUDI	56	8E0407694N	0382297	SEAT	1321
8E0407693AJ	0392297	SEAT	1321	8E0407694P	0382043	AUDI	50, 53, 67, 70, 78, 80
8E0407693AK	0392297	AUDI	56	8E0407694P	0382043	SKODA	1389
8E0407693AK	0392297	SEAT	1321	8E0407694P	0382043	VOLKSWAGEN	1642, 1645
8E0407693AL	0392297	AUDI	56	8E0407694Q	0382043	AUDI	50, 53, 67, 70, 78, 80
8E0407693AL	0392297	SEAT	1321	8E0407694Q	0382043	SKODA	1389
8E0407693AM	0392297	AUDI	56	8E0407694Q	0382043	VOLKSWAGEN	1642, 1645
8E0407693AM	0392297	SEAT	1321	8E0407694T	0382297	AUDI	56
8E0407693E	0392043	AUDI	50, 53, 67, 70, 78, 80	8E0407694T	0382297	SEAT	1321
8E0407693E	0392043	SKODA	1389	8E0411317	0591893	AUDI	53, 56
8E0407693E	0392043	VOLKSWAGEN	1642, 1645	8E0411317	0591893	SEAT	1322
8E0407693H	0392043	AUDI	50, 53, 67, 70, 78, 80	8E0411318	0581893	AUDI	53, 56
8E0407693H	0392043	SKODA	1389	8E0411318	0581893	SEAT	1322
8E0407693H	0392043	VOLKSWAGEN	1642, 1645	8E0419801B	0501889	AUDI	49, 52, 66, 78, 80
8E0407693K	0392043	AUDI	50, 53, 67, 70, 78, 80	8E0419801B	0501889	SKODA	1388
8E0407693K	0392043	SKODA	1389	8E0419801B	0501889	VOLKSWAGEN	1641, 1644
8E0407693K	0392043	VOLKSWAGEN	1642, 1645	8E0419801E	0501890	AUDI	52, 55
8E0407693N	0392297	AUDI	56	8E0419801E	0501890	SEAT	1321
8E0407693N	0392297	SEAT	1321	8E0419801N	0501890	AUDI	52, 55
8E0407693P	0392043	AUDI	50, 53, 67, 70, 78, 80	8E0419801N	0501890	SEAT	1321
8E0407693P	0392043	SKODA	1389	8E0419811	0181894	AUDI	52, 55, 69, 72
8E0407693P	0392043	VOLKSWAGEN	1642, 1645	8E0419811	0181894	SEAT	1321
8E0407693Q	0392043	AUDI	50, 53, 67, 70, 78, 80	8E0419811B *	0904523-K	VOLKSWAGEN	1646
8E0407693Q	0392043	SKODA	1389	8E0419811B **	0904524-K	VOLKSWAGEN	1646
8E0407693Q	0392043	VOLKSWAGEN	1642, 1645	8E0419811B	0181889	AUDI	49, 69, 78, 80
8E0407693T	0392297	AUDI	56	8E0419811B	0181889	SKODA	1388
8E0407693T	0392297	SEAT	1321	8E0419811B	0181889	VOLKSWAGEN	1641, 1644
8E0407694	0382043	AUDI	50, 53, 67, 70, 78, 80	8E0419831 *	0901899	AUDI	52
8E0407694	0382043	SKODA	1389	8E0419831	1211382	AUDI	52, 55
8E0407694	0382043	VOLKSWAGEN	1642, 1645	8E0419831	1211382	SEAT	1321
8E0407694AA	0382297	AUDI	56	8E0419831A	1211435	AUDI	55
8E0407694AA	0382297	SEAT	1321	8E0419831B	1211434	AUDI	55
8E0407694AC	0382297	AUDI	56	8E0419831C	1211436	AUDI	72
8E0407694AC	0382297	SEAT	1321	8E0422821	0601890	AUDI	49, 52, 55, 66, 69, 78, 80
8E0407694AF	0382297	AUDI	56	8E0422821	0601890	SEAT	1321
8E0407694AF	0382297	SEAT	1321	8E0422821	0601890	SKODA	1388
8E0407694AG	0382043	AUDI	50, 53, 67, 70, 78, 80	8E0422821	0601890	VOLKSWAGEN	1641, 1644
8E0407694AG	0382043	SKODA	1389	8E0422821B	0601890	AUDI	49, 52, 55, 66, 69, 78, 80
8E0407694AG	0382043	VOLKSWAGEN	1642, 1645	8E0422821B	0601890	SEAT	1321
8E0407694AJ	0382297	AUDI	56	8E0422821B	0601890	SKODA	1388
8E0407694AJ	0382297	SEAT	1321	8E0422821B	0601890	VOLKSWAGEN	1641, 1644
8E0407694AK	0382297	AUDI	56	8E0422821C	0601890	AUDI	49, 52, 55, 66, 69, 78, 80
8E0407694AK	0382297	SEAT	1321	8E0422821C	0601890	SEAT	1321
8E0407694AL	0382297	AUDI	56	8E0422821C	0601890	SKODA	1388
8E0407694AL	0382297	SEAT	1321	8E0422821C	0601890	VOLKSWAGEN	1641, 1644
8E0407694AM	0382297	AUDI	56	8E0498998 *	0904187-K	AUDI	54
8E0407694AM	0382297	SEAT	1321	8E0498998 **	0904193-K	AUDI	54
8E0407694E	0382043	AUDI	50, 53, 67, 70, 78, 80	8E0501529G	0705597	AUDI	54
				8E0501529G	0705597	SEAT	1322

RIF. ORIG. O.E. NUMBER	RIF. OCAP OCAP REF.	MARCA MAKE	PAG.	RIF. ORIG. O.E. NUMBER	RIF. OCAP OCAP REF.	MARCA MAKE	PAG.
8E0501529K	0705597	AUDI	54	8K0407505A	0392652	AUDI	58
8E0501529K	0705597	SEAT	1322	8K0407505B	0393266	AUDI	59, 75, 77, 92
8E0501529P	0705597	AUDI	54	8K0407505B	0393266	PORSCHE	1174
8E0501529P	0705597	SEAT	1322	8K0407505M	0393266	AUDI	59, 75, 77, 92
8E0505323M	0795597	AUDI	54	8K0407505M	0393266	PORSCHE	1174
8E0505323M	0795597	SEAT	1322	8K0407506A	0382652	AUDI	58
8E0505324M	0785597	AUDI	54	8K0407506B	0383266	AUDI	59, 75, 77, 92
8E0505324M	0785597	SEAT	1322	8K0407506B	0383266	PORSCHE	1174
8E0505465AC	0501899	AUDI	54, 56	8K0407506M	0383266	AUDI	59, 75, 77, 92
8E0505465AC	0501899	SEAT	1322	8K0407506M	0383266	PORSCHE	1174
8E0505465AF	0501899	AUDI	54, 56	8K0407509A	0392653	AUDI	58
8E0505465AF	0501899	SEAT	1322	8K0407509B	0393267	AUDI	59, 75, 77, 92
8E0505465C	0503071	AUDI	68, 71	8K0407509B	0393267	PORSCHE	1174
8E0505465C	0503071	SKODA	1390	8K0407509F	0392653	AUDI	58
8E0505465C	0503071	VOLKSWAGEN	1643, 1646	8K0407509M	0393267	AUDI	59, 75, 77, 92
8E0505465D	0503071	AUDI	68, 71	8K0407509M	0393267	PORSCHE	1174
8E0505465D	0503071	SKODA	1390	8K0407509N	0392653	AUDI	58
8E0505465D	0503071	VOLKSWAGEN	1643, 1646	8K0407510A	0382653	AUDI	58
8E0505465K	0501899	AUDI	54, 56	8K0407510B	0383267	AUDI	59, 75, 77, 92
8E0505465K	0501899	SEAT	1322	8K0407510B	0383267	PORSCHE	1174
8E0505465T	0501899	AUDI	54, 56	8K0407510F	0382653	AUDI	58
8E0505465T	0501899	SEAT	1322	8K0407510M	0383267	AUDI	59, 75, 77, 92
8EO407505A	0391900	VOLKSWAGEN	1645	8K0407510M	0383267	PORSCHE	1174
8G8625	0280702	INNOCENTI	577	8K0407510N	0382653	AUDI	58
8G8625	0280702	ROVER GROUP	1274, 1278, 1280	8K0407515	1215829	AUDI	58
8J0199231 *	1216047	AUDI	99	8K0407689D	0402651	AUDI	57, 74, 76, 91
8J0199231	1216029	AUDI	99	8K0407689E	0402651	AUDI	57, 74, 76, 91
8J0407151D *	0385172	AUDI	99	8K0407689F	0402651	AUDI	57, 74, 76, 91
8J0407151D **	0395172	AUDI	99	8K0407689G	0402651	AUDI	57, 74, 76, 91
8J0407151D	0305172	AUDI	99	8K0407693F	0392650	AUDI	57, 92
8J0407365	0495172	AUDI	99	8K0407693K	0392650	AUDI	57, 92
8J0407366	0485172	AUDI	99	8K0407693N	0392650	AUDI	57, 92
8J0423810	0602681	AUDI	57, 84, 91, 99	8K0407693Q	0394585	AUDI	58, 92
8J0423811	0295172	AUDI	99	8K0407693Q	0394585	PORSCHE	1175
8J0423812	0285172	AUDI	99	8K0407693S	0394585	AUDI	58, 92
8K0407151B	0392649	AUDI	57, 74, 76, 91	8K0407693S	0394585	PORSCHE	1175
8K0407151C	0392649	AUDI	57, 74, 76, 91	8K0407693T	0394585	AUDI	58, 92
8K0407151D	0392649	AUDI	57, 74, 76, 91	8K0407693T	0394585	PORSCHE	1175
8K0407151F	0392680	AUDI	58, 74, 76, 91	8K0407694F	0382650	AUDI	57, 92
8K0407151F	0392680	AUDI	58, 74, 76, 91	8K0407694K	0382650	AUDI	57, 92
8K0407151F	0392680	PORSCHE	1174	8K0407694N	0382650	AUDI	57, 92
8K0407151G	0392680	AUDI	58, 74, 76, 91	8K0407694Q	0384585	AUDI	58, 92
8K0407151G	0392680	PORSCHE	1174	8K0407694Q	0384585	PORSCHE	1175
8K0407152B	0382649	AUDI	57, 74, 76, 91	8K0407694S	0384585	PORSCHE	1175
8K0407152C	0382649	AUDI	57, 74, 76, 91	8K0407694S	0384585	PORSCHE	1175
8K0407152D	0382649	AUDI	57, 74, 76, 91	8K0407694T	0384585	AUDI	58, 92
8K0407152F	0382680	AUDI	58, 74, 76, 91	8K0407694T	0384585	PORSCHE	1175
8K0407152F	0382680	PORSCHE	1174	8K0411317B	0503131	AUDI	59
8K0407152G	0382680	AUDI	58, 74, 76, 91	8K0411317C	0502654	AUDI	59, 62, 75, 77, 85, 92
8K0407152G	0382680	PORSCHE	1174	8K0411317C	0502654	PORSCHE	1175
8K0407182A	1215827	AUDI	57-58, 61, 74, 76, 91	8K0411317D	0502654	AUDI	59, 62, 75, 77, 85, 92
8K0407182A	1215827	PORSCHE	1174	8K0411317D	0502654	PORSCHE	1175
8K0407182B	1215827	AUDI	57-58, 61, 74, 76, 91	8K0411327A	1214143	AUDI	59
8K0407182B	1215827	PORSCHE	1174	8K0411327B	1214141	AUDI	62, 75, 77
8K0407183A	1215828	AUDI	57, 92	8K0422817A	0292680	AUDI	57, 91
8K0407183B	1215828	AUDI	57, 92	8K0422817B	0292680	AUDI	57, 91
8K0407183D	1216183	AUDI	58, 62, 92	8K0422818A	0282680	AUDI	57, 91
8K0407183D	1216183	PORSCHE	1175	8K0422818B	0282680	AUDI	57, 91
8K0407183F	1216183	AUDI	58, 62, 92	8K0422831	1211467	AUDI	57, 91
8K0407183F	1216183	PORSCHE	1175	8K0501529K *	1215845	AUDI	60, 75, 77, 85, 93
8K0407317E	0502654	AUDI	59, 62, 75, 77, 85, 92	8K0501529K *	1215845	PORSCHE	1175
8K0407317E	0502654	PORSCHE	1175	8K0501529K	0392683	AUDI	60, 93

RIF. ORIG. O.E. NUMBER	RIF. OCAP OCAP REF.	MARCA MAKE	PAG.	RIF. ORIG. O.E. NUMBER	RIF. OCAP OCAP REF.	MARCA MAKE	PAG.
8K0501529L	0705780	AUDI	60, 75, 77, 85, 93	8W0407505C	0398853	AUDI	61
8K0501529L	0705780	PORSCHE	1175	8W0407506A	0388853	AUDI	61
8K0501529N	0392683	AUDI	60, 93	8W0407506C	0388853	AUDI	61
8K0501530K	0382683	AUDI	60, 93	8W0407509A	0398854	AUDI	61
8K0501530N *	1215845	AUDI	60, 75, 77, 85, 93	8W0407509B	0398854	AUDI	61
8K0501530N *	1215845	PORSCHE	1175	8W0407510A	0388854	AUDI	61
8K0501530N	0382683	AUDI	60, 93	8W0407510B	0388854	AUDI	61
8K0505279E	1215846	AUDI	60	8W0407515	1216372	AUDI	61
8K0505323F *	1215844	AUDI	60, 63, 93	8W0407693A	0398856	AUDI	62
8K0505323F *	1215844	PORSCHE	1175	8W0407693B	0398856	AUDI	62
8K0505323F	0392682	AUDI	60, 93	8W0407694A	0388856	AUDI	62
8K0505323F	0392682	PORSCHE	1175	8W0407694B	0388856	AUDI	62
8K0505323H	0392682	AUDI	60, 93	8W0423810	0608853	AUDI	61
8K0505323H	0392682	PORSCHE	1175	8W0423810A	0608853	AUDI	61
8K0505324F *	1215844	AUDI	60, 63, 93	8W0423811B	0298853	AUDI	61
8K0505324F *	1215844	PORSCHE	1175	8W0423811C	0298853	AUDI	61
8K0505324F	0382682	AUDI	60, 93	8W0423812B	0288853	AUDI	61
8K0505324F	0382682	PORSCHE	1175	8W0423812C	0288853	AUDI	61
8K0505324H	0382682	AUDI	60, 93	8W0501529D *	1216377	AUDI	63
8K0505324H	0382682	PORSCHE	1175	8W0501529D	0798859	AUDI	63
8K0505365B	0402684	AUDI	60	8W0501530D *	1216376	AUDI	63
8K0505465E	0508083	AUDI	75, 77, 85, 93	8W0501530D	0788859	AUDI	63
8K0505465G	0508083	AUDI	75, 77, 85, 93	8W0505323F *	1216374	AUDI	62
8N0407151A	0391385	AUDI	97	8W0505323F **	1216375	AUDI	62
8N0407151D	0391385	AUDI	97	8W0505323F	0398857	AUDI	62
8N0407152A	0381385	AUDI	97	8W0505324F *	1216373	AUDI	62
8N0407152D	0381385	AUDI	97	8W0505324F	0388857	AUDI	62
8N0407181B	1216035	AUDI	31, 39, 97	8W0505397C	0798860	AUDI	63
8N0407181B	1216035	SEAT	1333, 1335, 1341, 1352	8W0505397E	0798860	AUDI	63
8N0407181B	1216035	SKODA	1359, 1363, 1365-1366, 1374, 1384, 1387	8W0505398C	0788860	AUDI	63
8N0407181B	1216035	VOLKSWAGEN	1576, 1602, 1630, 1668, 1670, 1707	8W0505398E	0788860	AUDI	63
8N0407365A	0401385	AUDI	97	8W0505465B	0508858	AUDI	63
8N0407365B	0401385	AUDI	97	8Z0407151J	0391803	AUDI	37
8N0407365C	0401385	AUDI	97	8Z0407151L	0394181	AUDI	37
8N0422803A	0591381	AUDI	97	8Z0407151R	0394182	AUDI	37
8N0422803C	0591381	AUDI	97	8Z0407151S	0394183	AUDI	38
8N0422804A	0581381	AUDI	97	8Z0407152J	0381803	AUDI	37
8N0422804C	0581381	AUDI	97	8Z0407152L	0384181	AUDI	37
8N0422807D	0601381	AUDI	97	8Z0407152R	0384182	AUDI	37
8N0422807D	0601381	SEAT	1340	8Z0407152S	0384183	AUDI	38
8N0422811A	0291382	AUDI	97	8Z0407153L	0704284	AUDI	38
8N0422811A	0291382	SEAT	1340	8Z0407182B *	0901836	AUDI	38
8N0422812A	0281382	AUDI	97	8Z0407182B	1215526	AUDI	37-38
8N0422812A	0281382	SEAT	1340	8Z0407182C *	0901836	AUDI	38
8N0422831	1211327	AUDI	97	8Z0407182C	1215526	AUDI	37-38
8R0407515	1215971	AUDI	59, 75, 77, 85, 92	8Z0407195B *	0901836	AUDI	38
8R0407515	1215971	PORSCHE	1174	8Z0407195C *	0901836	AUDI	38
8V413C367AA	0286494	FORD	460	8Z0407195D *	0901836	AUDI	38
8V413C437AA	0296494	FORD	460	8Z0407365A	0491852	AUDI	38
8V513B438AB	0503253	FORD	424, 442-443, 487	8Z0407366A	0481852	AUDI	38
8V513B438AB	0503253	MAZDA	711	8Z0411314B	1214096	AUDI	38
8W0407151A	0398855	AUDI	61	8Z0411314B	1214096	SKODA	1363
8W0407151C	0398855	AUDI	61	8Z0411314B	1214096	VOLKSWAGEN	1668
8W0407152A	0388855	AUDI	61	8Z0411315B	0502349	AUDI	38
8W0407152C	0388855	AUDI	61	8Z0411315C	0502349	AUDI	38
8W0407505A	0398853	AUDI	61	8Z0419803A	0592282	AUDI	36
				8Z0419804A	0582282	AUDI	36
				8Z0419811A	0281059	AUDI	36
				8Z0419812A	0291059	AUDI	36
				8Z0423803C	0591802	AUDI	36
				8Z0423803F	0591802	AUDI	36
				8Z0423803G	0592283	AUDI	36
				8Z0423804C	0581802	AUDI	36
				8Z0423804F	0581802	AUDI	36
				8Z0423804G	0582283	AUDI	36

RIF. ORIG. O.E. NUMBER	RIF. OCAP OCAP REF.	MARCA MAKE	PAG.	RIF. ORIG. O.E. NUMBER	RIF. OCAP OCAP REF.	MARCA MAKE	PAG.
90009367	0505555	CHEVROLET - DAEWOO	223	90140006	0280771	GENERAL MOTORS	501
90009367	0505555	OPEL	1041-1043	90140006	0280771	OPEL	1014, 1043
90017299	0190783	VAUXHALL	1547	90140006	0280771	VAUXHALL	1541, 1551
900285	1211250	OPEL	1027, 1029	90140007	0290771	CHEVROLET - DAEWOO	223
900285	1211250	VAUXHALL	1553, 1555	90140007	0290771	GENERAL MOTORS	501
90032492	0400755	GENERAL MOTORS	500	90140007	0290771	OPEL	1014, 1043
90032492	0400755	OPEL	1040	90140007	0290771	VAUXHALL	1541, 1551
90032492	0400755	VAUXHALL	1552	90140407	0400764	CHEVROLET - DAEWOO	223
9004081	0280753	VAUXHALL	1550, 1552	90140407	0400764	OPEL	1042-1043
900905	0603892	OPEL	1035	90140407	0400764	VAUXHALL	1540-1541
900905	0603892	VAUXHALL	1559	90140432	0290762	OPEL	1042
900906	0903891	OPEL	1035	90140432	0290762	VAUXHALL	1540
900906	0903891	VAUXHALL	1559	90140433	0280762	OPEL	1042
900907	0283891	OPEL	1035	90140433	0280762	VAUXHALL	1540
900907	0283891	VAUXHALL	1559	90141398	0400773	GENERAL MOTORS	501
90093768	0400784	OPEL	1060	90141398	0400773	OPEL	1014, 1016
90093768	0400784	VAUXHALL	1547	90141398	0400773	VAUXHALL	1542, 1551
90094762	0290758	OPEL	1041	90142315	0280763	OPEL	1042
90094762	0290758	VAUXHALL	1540	90142315	0280763	VAUXHALL	1540
90094763	0280758	OPEL	1041	9014600048	0281503	MERCEDES	840
90094763	0280758	VAUXHALL	1540	9014600148	0281503	MERCEDES	840
90094792	0400761	OPEL	1041	9014600155	0601504	MERCEDES	840
90094792	0400761	VAUXHALL	1540	9014600205	0501503	MERCEDES	840
90105358	0900760	CHEVROLET - DAEWOO	223	9014600348	0281503	MERCEDES	840
90105358	0900760	GENERAL MOTORS	501	9014605500 *	1211400	MERCEDES	840, 845
90105358	0900760	OPEL	1014, 1041-1043	9014605500	0901504	MERCEDES	840, 845
90105358	0900760	VAUXHALL	1540-1541, 1551	90188024	0282356	ALFA ROMEO	28
90105367	0290759	OPEL	1041-1042	90188024	0282356	FIAT	383
90105367	0290759	VAUXHALL	1540	90188024	0282356	OPEL	1008, 1033
90105368	0290759	VAUXHALL	1540	90188423	0501661	VAUXHALL	1547
90112-SE0-000	0504532	HONDA	503, 512-513	90188425	0500785	VAUXHALL	1547
90112-SM4-000	0502763	HONDA	504-505	90188426	0500782	VAUXHALL	1547
90112-SM4-020	0502763	HONDA	504-505	90188428	0180784	OPEL	1060
90125120	0280772	GENERAL MOTORS	501	902010	0905167	CHEVROLET - DAEWOO	231
90125567	0290772	CHEVROLET - DAEWOO	223	902010	0905167	OPEL	1022
90125567	0290772	GENERAL MOTORS	501	90236577	0501665	VAUXHALL	1547
90125567	0290772	OPEL	1014, 1043	90272194	0490113	OPEL	1054
90125567	0290772	VAUXHALL	1541, 1551	90272194	0490113	VAUXHALL	1549
90125568	0280772	CHEVROLET - DAEWOO	223	90272195	0480113	OPEL	1054
90125568	0280772	OPEL	1014, 1043	90272195	0480113	VAUXHALL	1549
90125568	0280772	VAUXHALL	1541, 1551	902825	1211106	OPEL	1014-1015, 1041-1043
901320089	0104151	MERCEDES	841	902827 *	1211107	OPEL	1026, 1029
9013200289	0591514	MERCEDES	841	902827 *	1211107	VAUXHALL	1553, 1555, 1562
9013200389	0581514	MERCEDES	841	902827 Z	1211107	OPEL	1027
9013200589	0502379	MERCEDES	841	902827	0901604	OPEL	1026-1027, 1029
9013200689	0502368	MERCEDES	841	902827	0901604	VAUXHALL	1553, 1555, 1562
9013230185	1214222	MERCEDES	841	902828 *	0901603	OPEL	1014-1015, 1041-1043
9013230285	1214064	MERCEDES	841	902828 *	0901603	VAUXHALL	1540-1541, 1551
9013260081	1214093	MERCEDES	841	902828	1211106	OPEL	1014-1015, 1041-1043
9013301607	0791505	MERCEDES	840	902828	1211106	VAUXHALL	1540-1541, 1551
9013301707	0781505	MERCEDES	840	902829	1211251	OPEL	1015
9013301807	0791505	MERCEDES	840	90288270	0500114	VAUXHALL	1549
9013301907	0781505	MERCEDES	840	90288387	0790113	OPEL	1054
9013302407	0791505	MERCEDES	840	90288387	0790113	VAUXHALL	1549
9013302507	0781505	MERCEDES	840	90288388	0780113	OPEL	1054
9013330214	1215705	MERCEDES	840	90288388	0780113	VAUXHALL	1549
9013330627	0401505	MERCEDES	840	90295626	0501654	VAUXHALL	1548
9013330727	0401505	MERCEDES	840	90334027	0590112	VAUXHALL	1548
9013331027	0401505	MERCEDES	840				
9013331127	0401505	MERCEDES	840				
9013331227	0401505	MERCEDES	840				
9013331327	0402385	MERCEDES	840				
90140006	0280771	CHEVROLET - DAEWOO	223				

RIF. ORIG. O.E. NUMBER	RIF. OCAP OCAP REF.	MARCA MAKE	PAG.	RIF. ORIG. O.E. NUMBER	RIF. OCAP OCAP REF.	MARCA MAKE	PAG.
90334028	0580112	VAUXHALL	1548	90498738	1215319	OPEL	1018, 1021, 1046, 1062, 1064, 1069
90334075	0500114	VAUXHALL	1549				
90369125	0500111	VAUXHALL	1548	90498738	1215319	SAAB	1299, 1301- 1302
90369704	0290058	OPEL	1015				
90369704	0290058	SAAB	1298	90498738	1215319	VAUXHALL	1543, 1545, 1566, 1568
90369704	0290058	VAUXHALL	1542				
90369705	0280058	OPEL	1015	90498745	0501744	OPEL	1019, 1021, 1069
90369705	0280058	SAAB	1298				
90369705	0280058	VAUXHALL	1542	90498745	0501744	VAUXHALL	1543, 1545
90373519	0290058	OPEL	1015	90498745	0503139	OPEL	1046
90373519	0290058	SAAB	1298	90498745	0504068	OPEL	1019, 1021, 1069
90373519	0290058	VAUXHALL	1542				
90373520	0280058	OPEL	1015	90498745	0505168	CHEVROLET - DAEWOO	221, 231
90373520	0280058	SAAB	1298	90510643	0190064	VAUXHALL	1548
90373520	0280058	VAUXHALL	1542	90510644	0180063	VAUXHALL	1548
90373521	0290059	OPEL	1015	90511260	0790365	OPEL	1028
90373521	0290059	SAAB	1298	90511260	0790365	VAUXHALL	1554
90373521	0290059	VAUXHALL	1542	90511261	0780365	OPEL	1028
90373522	0280059	OPEL	1015	90511261	0780365	VAUXHALL	1554
90373522	0280059	SAAB	1298	90538444	0703802	OPEL	1062
90373522	0280059	VAUXHALL	1542	90538444	0703802	SAAB	1302
90373523	0900060	VAUXHALL	1542	90576788	0791428	OPEL	1056
90375505 *	0791243	VAUXHALL	1541	90576788	0791428	VAUXHALL	1564
90375505	0400764	CHEVROLET - DAEWOO	223	90576789	0781428	OPEL	1056
90375505	0400764	OPEL	1042-1043	90576789	0781428	VAUXHALL	1564
90375505	0400764	VAUXHALL	1540-1541	9063201389	0502744	MERCEDES	843
90375505	0791245	CHEVROLET - DAEWOO	223	9063201789	0592743	MERCEDES	842
90375505	0791245	OPEL	1043	9063201889	0582743	MERCEDES	842
90375505	0791245	VAUXHALL	1541	9063231485	1214298	MERCEDES	842
90375506 *	0781243	VAUXHALL	1541	9063231485	1214298	VOLKSWAGEN	1583
90375506	0781245	CHEVROLET - DAEWOO	223	9063233585	1214298	MERCEDES	842
90375506	0781245	OPEL	1043	9063233585	1214298	VOLKSWAGEN	1583
90375506	0781245	VAUXHALL	1541	9063304007	0792742	MERCEDES	842
90392553	0500110	VAUXHALL	1548	9063304107 *	0402742	MERCEDES	842
9040260	0602028	ALFA ROMEO	14	9063304107	0782742	MERCEDES	842
9040260	0602028	FIAT	348	9063330014	1215874	MERCEDES	842
9040260	0602028	LANCIA	667	9063330114	1215874	MERCEDES	842
9043230085	1214091	MERCEDES	841	9064600048	0282717	MERCEDES	842
9043260881	1214223	MERCEDES	841, 843	9064600055 *	0602741	MERCEDES	842
9043260981	1214228	MERCEDES	841, 843	9064600055	0602741-K	MERCEDES	842
9043261081	1214226	MERCEDES	841	9064600096 *	1211481	MERCEDES	842
90445118	0790365	OPEL	1028	9064600096	0902741	MERCEDES	842
90445118	0790365	VAUXHALL	1554	90948-02178 *	0502567	TOYOTA	1536
90445119	0780365	OPEL	1028	90948-02179 *	0502567	TOYOTA	1536
90445119	0780365	VAUXHALL	1554	910105012001 *	0901957	MERCEDES	804
90445669	0791428	OPEL	1056	910113016001 *	0903860	MERCEDES	822
90445669	0791428	VAUXHALL	1564	91112558	0193612	SUZUKI	1426
90445670	0781428	OPEL	1056	91134104700	0400810	PORSCHE	1158
90445670	0781428	VAUXHALL	1564	91134104901	0400811	PORSCHE	1158-1159
90468567	1214098	SAAB	1302	91134732204	0180282	BMW	129
90473225	0780103	OPEL	1016	91134732204	0180282	MERCEDES	748-750, 814, 816, 827
90473225	0780103	VAUXHALL	1542	91134732204	0180282	PORSCHE	1158, 1164
90495046	1215129	OPEL	1016	91160037	0604424-K	NISSAN	954
90495046	1215129	VAUXHALL	1542	91160037	0604424-K	OPEL	1065, 1067
90496116	0501690	VAUXHALL	1557	91160037	0604424-K	RENAULT	1267, 1269
90496686	1216166	OPEL	1062	91160037	0604424-K	VAUXHALL	1570
90496686	1216166	SAAB	1302	91160038	0903807	NISSAN	954
90496700	0401517	OPEL	1062	91160038	0903807	OPEL	1065, 1067
90496700	0401517	VAUXHALL	1566	91160038	0903807	RENAULT	1267, 1269
90496711	0504375	OPEL	1064	91160038	0903807	VAUXHALL	1570
90497307	0791428	OPEL	1056	91160043	0293875	NISSAN	954, 972
90497307	0791428	VAUXHALL	1564	91160043	0293875	OPEL	1065, 1067
90497308	0781428	OPEL	1056	91160043	0293875	RENAULT	1193, 1204, 1267, 1269
90497308	0781428	VAUXHALL	1564				
90498738	1215319	FIAT	351				

RIF. ORIG. O.E. NUMBER	RIF. OCAP OCAP REF.	MARCA MAKE	PAG.	RIF. ORIG. O.E. NUMBER	RIF. OCAP OCAP REF.	MARCA MAKE	PAG.
91160043	0293875	VAUXHALL	1570	9160394	1215609	VAUXHALL	1561
91160044	0283875	NISSAN	954, 972	9160395	1215610	OPEL	1049-1050
91160044	0283875	OPEL	1065, 1067	9160395	1215610	VAUXHALL	1561
91160044	0283875	RENAULT	1193, 1204, 1267, 1269	9160498	0593812	NISSAN	939
91160044	0283875	VAUXHALL	1570	9160498	0593812	OPEL	1050
91166461	0783808	NISSAN	972	9160498	0593812	RENAULT	1210
91166461	0783808	OPEL	1065	9160498	0593812	VAUXHALL	1561
91166461	0783808	RENAULT	1267	9160499	0583812	NISSAN	939
91166461	0783808	VAUXHALL	1570	9160499	0583812	OPEL	1050
91166462	0793808	NISSAN	972	9160499	0583812	RENAULT	1210
91166462	0793808	OPEL	1065	9160499	0583812	VAUXHALL	1561
91166462	0793808	RENAULT	1267	9160554	0401522	NISSAN	939
91166462	0793808	VAUXHALL	1570	9160554	0401522	OPEL	1050
91167000	0503878	NISSAN	954, 972	9160554	0401522	RENAULT	1210
91167000	0503878	OPEL	1066-1067	9160554	0401522	VAUXHALL	1561
91167000	0503878	RENAULT	1193, 1204, 1268-1269	9160555	0401494	NISSAN	939
91167000	0503878	VAUXHALL	1570	9160555	0401494	OPEL	1049
913023010002 *	0903861	MERCEDES	822	9160555	0401494	RENAULT	1209
913023012002 *	0901957	MERCEDES	804	9160555	0401494	VAUXHALL	1561
91392417	0284351	OPEL	1044	9161560	0903811	OPEL	1049, 1051
91392417	0284351	VAUXHALL	1560	9161560	0903811	VAUXHALL	1561
9140504	0600185	VOLVO	1730, 1743	9161561	0603811-K	OPEL	1049
9140505	0600464	VOLVO	1737	9161561	0603811-K	VAUXHALL	1561
915001890	1215357	CITROEN	294, 299, 301	9161562	0291495	NISSAN	939
915001890	1215357	RENAULT	1232, 1234	9161562	0291495	OPEL	1049
91500679	1215390	CITROEN	278, 301	9161562	0291495	RENAULT	1209
91504248	0400604	CITROEN	278, 294, 299- 300	9161562	0291495	VAUXHALL	1561
91504248	0400604	PEUGEOT	1087-1088	9161563	0281495	NISSAN	939
91504248	0400604	RENAULT	1232, 1234	9161563	0281495	OPEL	1049
91504248	0400604	TALBOT	1446	9161563	0281495	RENAULT	1209
91504354	0390605	CITROEN	278	9161563	0281495	VAUXHALL	1561
91504354	0390605	PEUGEOT	1087	9169080	0503879	VOLVO	1725, 1731, 1734
91504355	0380605	CITROEN	278	9191188	1214114	SAAB	1300
91504355	0380605	PEUGEOT	1087	9191410	0903136	VOLVO	1728
91504358	0390605	CITROEN	278, 294, 299- 300	9196394	0401885	OPEL	1032
91504358	0390605	PEUGEOT	1087	9196394	0401885	VAUXHALL	1557
91504359	0380605	CITROEN	278, 294, 299- 300	9199576	0901885	OPEL	1032, 1044
91504359	0380605	PEUGEOT	1087	9199576	0901885	VAUXHALL	1557, 1560
91510864 *	0901679	CITROEN	313	9199961	0901885	VAUXHALL	1557
91510864	1211175	CITROEN	313	920005	0608080	CHEVROLET - DAEWOO	221
91516336	0391605	CITROEN	278, 300	920005	0608080	OPEL	1022
91516336	0391605	PEUGEOT	1096	920007	0608080	CHEVROLET - DAEWOO	221
91516337	0381605	CITROEN	278, 300	920007	0608080	OPEL	1022
91516337	0381605	PEUGEOT	1096	920008	0288080	CHEVROLET - DAEWOO	221, 231
91519408	0380171	CITROEN	302	920008	0288080	OPEL	1022, 1037, 1070
91519409	0390171	CITROEN	302	920008	0288080	SAAB	1303
9157725 *	0181414-K	VOLVO	1744	920373	0281422	OPEL	1034
9157725	0181414	VOLVO	1744	920373	0281422	VAUXHALL	1558
9160391	1216063	NISSAN	939	920374	0291422	OPEL	1034
9160391	1216063	OPEL	1050	920374	0291422	VAUXHALL	1558
9160391	1216063	RENAULT	1210	9208987	0301848	OPEL	1009
9160392	0391494	NISSAN	939	9208987	0301848	SUZUKI	1441
9160392	0391494	OPEL	1049	9208987	0301848	VAUXHALL	1538
9160392	0391494	RENAULT	1209	9208989	1215556	OPEL	1009
9160392	0391494	VAUXHALL	1561	9208989	1215556	SUZUKI	1441
9160393	0381494	NISSAN	939	9208989	1215556	VAUXHALL	1538
9160393	0381494	OPEL	1049	92401523	0790587	FIAT	411
9160393	0381494	RENAULT	1209	92401524	0780587	FIAT	411
9160393	0381494	VAUXHALL	1561	924435 *	0180043-K	OPEL	1016
9160394	1215609	OPEL	1049-1050	92834104908	0401670	PORSCHE	1166
				92834104910	0400817	PORSCHE	1166
				92834104912	0400817	PORSCHE	1166
				92834306901	0401670	PORSCHE	1166

RIF. ORIG. O.E. NUMBER	RIF. OCAP OCAP REF.	MARCA MAKE	PAG.	RIF. ORIG. O.E. NUMBER	RIF. OCAP OCAP REF.	MARCA MAKE	PAG.
92834703101	0500454	PORSCHE	1166	93188022 *	0602583	ALFA ROMEO	28
92834703107	0500454	PORSCHE	1166	93188022 *	0602583	FIAT	383
92834732201	0280815	PORSCHE	1166	93188022 *	0602583	OPEL	1008, 1033
92834732202	0280815	PORSCHE	1166	93188023	0292356	ALFA ROMEO	28
93034703101 *	0600813	PORSCHE	1159	93188023	0292356	FIAT	383
93034703101	0501666	PORSCHE	1159	93188023	0292356	OPEL	1008, 1033
93034732200	0280260	BMW	137	93188808 *	0402357	FIAT	368
93034732200	0280260	PORSCHE	1159	93188808	0402357	ALFA ROMEO	28
93161884	0404627	NISSAN	972	93188808	0402357	FIAT	383
93161884	0404627	OPEL	1066	93188808	0402357	OPEL	1008, 1033
93167687 *	0601536	NISSAN	955	93189022	0602583-K	OPEL	1033
93167687 *	0601536	OPEL	1051	93189041	0902586	OPEL	1008, 1033
93167687 *	0601536	RENAULT	1211	93191260	0903139	OPEL	1045
93167687	0901536	NISSAN	955	93191672	0604373	FIAT	351
93167687	0901536	OPEL	1051	93192420	0601884-K	OPEL	1031
93167688	0291536	OPEL	1051	93192421	0601883-K	OPEL	1031
93167689	0281536	OPEL	1051	93192421	0601883-K	VAUXHALL	1557
93171448	1215638	FIAT	351	93193130	0783139	OPEL	1010
93171448	1215638	OPEL	1064	93193131	0793139	OPEL	1010
93171448	1215638	SAAB	1299	93193998	1211582	OPEL	1010
93171448	1215638	VAUXHALL	1568	93193998	1211582	VAUXHALL	1539
93172254	0293802	FIAT	351	93194002	0603138	OPEL	1010
93172254	0293802	OPEL	1063	93194002	0603138	SUZUKI	1436
93172254	0293802	SAAB	1299, 1301	93194002	0603138	VAUXHALL	1539
93172254	0293802	VAUXHALL	1567	93194035	0281846	NISSAN	969
93172255	0283802	FIAT	351	93194035	0281846	OPEL	1009-1010
93172255	0283802	OPEL	1063	93194035	0281846	SUZUKI	1424, 1436
93172255	0283802	SAAB	1299, 1301	93194035	0281846	VAUXHALL	1538-1539
93172255	0283802	VAUXHALL	1567	93194335	0609255	SAAB	1301
93172256	0603803-K	OPEL	1063	93194853	0391495	OPEL	1050
93172256	0603803-K	VAUXHALL	1567	93194855	0381495	OPEL	1050
93172342	0904374	OPEL	1063	93194857	0401495	OPEL	1050
93172342	0904374	SAAB	1299	93196777 *	0603139	OPEL	1045
93172342	0904374	VAUXHALL	1567	93196777	0603139-K	OPEL	1045
93174598	0494354	OPEL	1044	93196778 *	0603140	OPEL	1045
93174598	0494354	VAUXHALL	1560	93196778	0603140-K	OPEL	1045
93174599	0484354	OPEL	1044	93197214 *	1216017	NISSAN	955
93174599	0484354	VAUXHALL	1560	93197214	0391536	NISSAN	955
93175520 *	0604373	SAAB	1299	93197214	0391536	OPEL	1051
93175520	0604373-K	OPEL	1063	93197215	0381536	NISSAN	955
93175520	0604373-K	SAAB	1299	93197215	0381536	OPEL	1051
93175520	0604373-K	VAUXHALL	1567	93197215*	1216017	NISSAN	955
93178160	0604372-K	OPEL	1063	93197216 *	1216016	NISSAN	955
93178160	0604372-K	VAUXHALL	1567	93197216 *	1216016	OPEL	1051
93179557 *	0601746	OPEL	1018, 1020	93197233	0401536	NISSAN	955
93179557 *	0601746	VAUXHALL	1543-1544	93197233	0401536	OPEL	1051
93179557	0601746-K	OPEL	1020	93197233	0401536	RENAULT	1211
93179557	0601746-K	VAUXHALL	1544	93197325	0501536	NISSAN	955
93179558	0284357	OPEL	1020, 1045, 1068	93197325	0501536	OPEL	1051
93179558	0284357	VAUXHALL	1544	93197325	1216017	OPEL	1051
93179559	0294357	OPEL	1020, 1045, 1068	93197325	1216017	RENAULT	1211
93179559	0294357	VAUXHALL	1544	93197332	0501496	NISSAN	956
93181229	0604358-K	OPEL	1020	93197332	0501496	OPEL	1052
93181229	0604358-K	VAUXHALL	1544	93296754	0602303	OPEL	1027
93181230	0602139-K	OPEL	1068	93296755	0602304	OPEL	1027
93181662	0602139-K	OPEL	1068	93296756	0282302	OPEL	1027
93186330	0602138-K	OPEL	1068	93296757	0602304	OPEL	1027
93186332	0284357	OPEL	1020, 1045, 1068	93388568	0794355	OPEL	1044
93186332	0284357	VAUXHALL	1544	93388568	0794355	VAUXHALL	1560
93186333	0294357	OPEL	1020, 1045, 1068	93388569	0784355	OPEL	1044
93186333	0294357	VAUXHALL	1544	93388569	0784355	VAUXHALL	1560
				93388621	0280750	OPEL	1026-1027, 1029
				93388621	0280750	VAUXHALL	1553, 1555, 1562

RIF. ORIG. O.E. NUMBER	RIF. OCAP OCAP REF.	MARCA MAKE	PAG.	RIF. ORIG. O.E. NUMBER	RIF. OCAP OCAP REF.	MARCA MAKE	PAG.
93501180	0390014	FIAT	395	939574	0601171	FIAT	404
93501180	0390014	LANCIA	652	93BB5K652CG	0708843	FORD	465, 467
93501181	0380014	FIAT	395	9403812330	0584106	CITROEN	277
93501181	0380014	LANCIA	652	9403812330	0584106	PEUGEOT	1108, 1125
93501487	0393817	FIAT	399	9403817738	0282733	CITROEN	293
93501487	0393817	LANCIA	666	9403817738	0282733	FIAT	389
93501488	0383817	FIAT	399	9403817738	0282733	PEUGEOT	1076
93501488	0383817	LANCIA	666	9404059080	0280037	CITROEN	292
93740621	0604254	CHEVROLET - DAEWOO 233		9404059080	0280037	FIAT	387-388, 398, 410
93740622	0294257	CHEVROLET - DAEWOO 224		9404059080	0280037	LANCIA	674
93740623	0284257	CHEVROLET - DAEWOO 224		9404059080	0280037	MASERATI	706
93740722	0294258	CHEVROLET - DAEWOO 218, 224		9404059080	0280037	PEUGEOT	1150
93740723	0284258	CHEVROLET - DAEWOO 218, 224		9404059080	0280037	VOLVO	1739
93741074	0604264	CHEVROLET - DAEWOO 228		9404066418	0901168	FIAT	387, 398
93741077	0282914	CHEVROLET - DAEWOO 227-228, 234		9404066418	0901168	LANCIA	674
93741091	0282914	CHEVROLET - DAEWOO 227-228, 234		9404066838 *	1211477	FIAT	389
93741092	0604266	CHEVROLET - DAEWOO 228		9404066838	0902733	CITROEN	293
93743434	0905337	OPEL	1011	9404066838	0902733	FIAT	389
93800662	0280515	ALFA ROMEO	22	9404066838	0902733	PEUGEOT	1076
93800662	0280515	FIAT	384	94182-10800 *	0502567	TOYOTA	1536
93800662	0280515	IVECO	587	94217221	0600424	ISUZU	582-583
93802209	0280517	ALFA ROMEO	22	94224552	0403013	ISUZU	582, 584-585
93802209	0280517	FIAT	384	94224701	0280455	ISUZU	582-583, 585
93802209	0280517	IVECO	587, 590	94237351	0280455	ISUZU	582-583, 585
93802242	0400518	ALFA ROMEO	22	94246475	0403013	ISUZU	582, 584-585
93802242	0400518	FIAT	384	9-43150-605-0	0180425	ISUZU	579
93802242	0400518	IVECO	587	9-43150-606-0	0190425	ISUZU	579
93802242	0400518	PEUGEOT	1079	9-43150-610-0	0180425	ISUZU	579
93804059	0280515	ALFA ROMEO	22	9-43150-613-0	0190425	ISUZU	579
93804059	0280515	FIAT	384	94374424	0402956	ISUZU	580, 586
93804059	0280515	IVECO	587	94374424	0402956	OPEL	1035
93804060	0280517	ALFA ROMEO	22	94374424	0402956	VAUXHALL	1559
93804060	0280517	FIAT	384	94419409	0291422	OPEL	1034
93804060	0280517	IVECO	587, 590	94419409	0291422	VAUXHALL	1558
93807320	0400518	ALFA ROMEO	22	94434703301 *	0601619	PORSCHE	1165, 1167
93807320	0400518	FIAT	384	94434703301	0501618	PORSCHE	1165, 1167
93807320	0400518	IVECO	587	94434703320 *	0601669	PORSCHE	1165, 1167
93807320	0400518	PEUGEOT	1079	94434703320	0501669	PORSCHE	1165, 1167
93807545	0400518	ALFA ROMEO	22	94434703323 *	0602278	PORSCHE	1167
93807545	0400518	FIAT	384	94434733301	0180882	PORSCHE	1165, 1167
93807545	0400518	IVECO	587	94434733301	0180882	VOLKSWAGEN	1699
93807545	0400518	PEUGEOT	1079	9443882	1215675	VOLVO	1724-1725, 1731
93807640	1215270	IVECO	590	94459453	0401423	OPEL	1034
93807641	1215269	IVECO	590	94459453	0401423	VAUXHALL	1558
93810239	1215271	IVECO	590	94459464	0400422	ISUZU	581
93862135	0384627	NISSAN	972	94459464	0403892	OPEL	1034
93862135	0384627	OPEL	1066	94459465	0401424	ISUZU	580-581, 586
93862135	0384627	RENAULT	1268	94459465	0401424	OPEL	1034-1035
93862136	0394627	NISSAN	972	94459465	0401424	VAUXHALL	1558-1559
93862136	0394627	OPEL	1066	94459480	0281422	OPEL	1034
93862136	0394627	RENAULT	1268	94459480	0281422	VAUXHALL	1558
93868599	0383875	NISSAN	954	9451076780	1211170	CITROEN	242, 244, 296
93868599	0383875	OPEL	1067	9451076880	1211228	CITROEN	242, 296
93868599	0383875	RENAULT	1269	9451135580 *	0390211	CITROEN	244, 297
93868599*	0403875	NISSAN	954	9451135580 *	0390211	PEUGEOT	1091
93868599*	0403875	OPEL	1067	9451135580	0394101	CITROEN	245, 298
93868599*	0403875	RENAULT	1269	9451135580	0394101	PEUGEOT	1091
93868600	0393875	NISSAN	954	9451135680 *	0380211	CITROEN	244, 297
93868600	0393875	OPEL	1067	9451135680 *	0380211	PEUGEOT	1091
93868600	0393875	RENAULT	1269	9451135680	0384101	CITROEN	245, 298
93868600*	0403875	NISSAN	954	9451135680	0384101	PEUGEOT	1091
93868600*	0403875	OPEL	1067	94540668	0795745	CHEVROLET - DAEWOO 235	
93868600*	0403875	RENAULT	1269	94540668	0795745	OPEL	1047-1048

RIF. ORIG. O.E. NUMBER	RIF. OCAP OCAP REF.	MARCA MAKE	PAG.	RIF. ORIG. O.E. NUMBER	RIF. OCAP OCAP REF.	MARCA MAKE	PAG.
94540669	0785745	CHEVROLET - DAEWOO	235	95032440	0795593	CHEVROLET - DAEWOO	232
94540669	0785745	OPEL	1047	95032441 *	0405593	CHEVROLET - DAEWOO	232
94625941	0400773	GENERAL MOTORS	501	95032441	0785593	CHEVROLET - DAEWOO	232
94625941	0400773	OPEL	1014, 1016	95218371	0905595	CHEVROLET - DAEWOO	219, 235
94625941	0400773	VAUXHALL	1542, 1551	95218371	0905595	OPEL	1047
94635311	0400773	GENERAL MOTORS	501	95218372	0605595	CHEVROLET - DAEWOO	219
94635311	0400773	OPEL	1014, 1016	95218393	0285595	CHEVROLET - DAEWOO	219
94635311	0400773	VAUXHALL	1542, 1551	95248454	1216025	CHEVROLET - DAEWOO	220
94635313	0400773	GENERAL MOTORS	501	95299172	0505594	CHEVROLET - DAEWOO	219
94635313	0400773	OPEL	1014, 1016	95319215	0795593	CHEVROLET - DAEWOO	232
94635313	0400773	VAUXHALL	1542, 1551	95319216	0785593	CHEVROLET - DAEWOO	232
9471000365	0180950	CITROEN	262, 277, 294, 299-300, 302	95465758	0505594	CHEVROLET - DAEWOO	219
9471000365	0180950	PEUGEOT	1088, 1095, 1106-1108, 1114, 1116, 1119, 1125, 1137-1139	95492625 *	0180950	CITROEN	247, 249, 251, 307, 309, 311, 313
9471000365	0180950	TALBOT	1446, 1449	95492625 *	0180950	PEUGEOT	1080, 1083
9471000965	0180950	CITROEN	262, 277, 294, 299-300, 302	95492625 *	0501123	CITROEN	277, 294, 300, 302
9471000965	0180950	PEUGEOT	1088, 1095, 1106-1108, 1114, 1116, 1119, 1125, 1137-1139	95492625 *	0501123	PEUGEOT	1095, 1106- 1107, 1125, 1139
9471000965	0180950	TALBOT	1446, 1449	95492625	0501123-K	PEUGEOT	1095, 1106- 1107
9471007465	0184101	CITROEN	242, 244, 262, 296, 303, 305	95493210	0501122	CITROEN	299
9471007465	0184101	PEUGEOT	1089, 1097, 1110, 1119, 1144	95493210	0501122	PEUGEOT	1088, 1138
9471007565	0194101	CITROEN	242, 244, 262, 296, 303, 305	95493210	0501122	TALBOT	1446, 1449
9471007565	0194101	PEUGEOT	1089, 1097, 1110, 1119, 1144	95493610 *	0180950	CITROEN	247, 249, 251, 307, 309, 311, 313
94788122	0400764	CHEVROLET - DAEWOO	223	95493610 *	0180950	PEUGEOT	1080, 1083
94788122	0400764	OPEL	1042-1043	95493610 *	0501123	CITROEN	277, 294, 300, 302
94788122	0400764	VAUXHALL	1540-1541	95493610 *	0501123	PEUGEOT	1095, 1106- 1107, 1125, 1139
9492530	0393073	VOLVO	1729	95493610	0501123-K	PEUGEOT	1095, 1106- 1107
9492531	0383073	VOLVO	1729	95494204	0401124	CITROEN	254
9492804	0501681	ALFA ROMEO	28	95494605	0401124	CITROEN	254
9492804	0501681	FIAT	383	95494716	1215113	CITROEN	254
9492804	0501681	OPEL	1033	95494717	1215114	CITROEN	254
9492804	0501681	VOLVO	1729, 1745	95494820	0501000	CITROEN	254
9492837	0503873	VOLVO	1730, 1744	95494821	0501000	CITROEN	254
9492914	0393073	VOLVO	1729	95495439	0601110	CITROEN	254
9492915	0383073	VOLVO	1729	95495440	0601110	CITROEN	254
9492916	0393074	VOLVO	1729, 1745	95495914	1211171	CITROEN	254
9492917	0383074	VOLVO	1729, 1745	95496044	0190616	CITROEN	254
95017034 *	1216170	CHEVROLET - DAEWOO	219	95496045	0180616	CITROEN	254
95017034	0405745	CHEVROLET - DAEWOO	219, 235	95496072	1211172	CITROEN	254
95017034	0405745	OPEL	1047	95509251	0401524	NISSAN	955
95017035 *	1216169	CHEVROLET - DAEWOO	219	95509251	0401524	OPEL	1051
95017035	0795594	CHEVROLET - DAEWOO	219	95509251	0401524	RENAULT	1211
95017036	0785594	CHEVROLET - DAEWOO	219	95510923	1211110	CITROEN	249, 251, 277, 294, 299-300, 302, 309, 311, 313
95025705	0785745	CHEVROLET - DAEWOO	235	95510923	1211110	PEUGEOT	1080, 1083, 1088, 1095, 1106-1108, 1110, 1112, 1114, 1139
95025705	0785745	OPEL	1047	95510923	1211110	TALBOT	1446, 1449
95025706	0795745	CHEVROLET - DAEWOO	235	95514914	0602583	ALFA ROMEO	28
95025706	0795745	OPEL	1047-1048	95514914	0602583	FIAT	383
95028039	0400309	CITROEN	271, 304, 306	95514914	0602583	OPEL	1008, 1033
95028039	0400309	PEUGEOT	1129, 1131- 1132, 1144- 1145, 1147- 1148	95533104530	0704329	AUDI	96
95032440 *	0405593	CHEVROLET - DAEWOO	232	95533104530	0704329	PORSCHE	1172

RIF. ORIG. O.E. NUMBER	RIF. OCAP OCAP REF.	MARCA MAKE	PAG.	RIF. ORIG. O.E. NUMBER	RIF. OCAP OCAP REF.	MARCA MAKE	PAG.
95533104530	0704329	VOLKSWAGEN	1687, 1689	95534713120	0294325	PORSCHE	1170
95533104531	0704329	AUDI	96	95534713121	0294325	PORSCHE	1170
95533104531	0704329	PORSCHE	1172	95534713220	0284325	PORSCHE	1170
95533104531	0704329	VOLKSWAGEN	1687, 1689	95534713221	0284325	PORSCHE	1170
95533104532	0704329	AUDI	96	95534719110	1211429	PORSCHE	1170
95533104532	0704329	PORSCHE	1172	95558213 *	0400622-K	CITROEN	284
95533104532	0704329	VOLKSWAGEN	1687, 1689	95558213	0400622	CITROEN	283-284
95533180 *	0180950	CITROEN	247, 249, 251, 307, 309, 311, 313	95560858 *	0180950	CITROEN	247, 249, 251, 307, 309, 311, 313
95533180 *	0180950	PEUGEOT	1080, 1083	95560858 *	0180950	PEUGEOT	1080, 1083
95533180 *	0501123	CITROEN	277, 294, 300, 302	95560858 *	0501123	CITROEN	277, 294, 300, 302
95533180 *	0501123	PEUGEOT	1095, 1106- 1107, 1125, 1139	95560858 *	0501123	PEUGEOT	1095, 1106- 1107, 1125, 1139
95533180	0501123-K	PEUGEOT	1095, 1106- 1107	95560858	0501123-K	PEUGEOT	1095, 1106- 1107
95533306910	0594332	AUDI	96	95563792	0390176	CITROEN	254
95533306910	0594332	PORSCHE	1173	95563797	1215113	CITROEN	254
95533306910	0594332	VOLKSWAGEN	1687, 1689	95563798	1215114	CITROEN	254
95533306911	0594332	AUDI	96	95563799	0380176	CITROEN	254
95533306911	0594332	PORSCHE	1173	95585250 *	0190620	CITROEN	282
95533306911	0594332	VOLKSWAGEN	1687, 1689	95585251 *	0180620	CITROEN	282
95533306921	0594332	AUDI	96	95597955	0501000	CITROEN	254
95533306921	0594332	PORSCHE	1173	95602969	0390176	CITROEN	254
95533306921	0594332	VOLKSWAGEN	1687, 1689	95602970	0380176	CITROEN	254
95533307010	0584332	AUDI	96	95603308	1215275	CITROEN	242-243, 297
95533307010	0584332	PORSCHE	1173	95603308	1215275	PEUGEOT	1090
95533307010	0584332	VOLKSWAGEN	1687, 1689	95603309	0400559	CITROEN	242
95533307011	0584332	AUDI	96	95603346	1215147	CITROEN	242
95533307011	0584332	PORSCHE	1173	95604346	1211171	CITROEN	254
95533307011	0584332	VOLKSWAGEN	1687, 1689	95606879 *	0190628	CITROEN	284
95533307021	0584332	AUDI	96	95606880 *	0180628	CITROEN	284
95533307021	0584332	PORSCHE	1173	95607224	0401124	CITROEN	254
95533307021	0584332	VOLKSWAGEN	1687, 1689	95609129	0900801	CITROEN	242, 244, 296
95534101331	0394327	PORSCHE	1171	95609135	0180558	CITROEN	242, 244, 296
95534101730	0394327	PORSCHE	1171	95609135	0180558	PEUGEOT	1089
95534101732	0394327	PORSCHE	1171	95614999	0390175	CITROEN	242
95534101733	0394327	PORSCHE	1171	95615000	0380175	CITROEN	242
95534101761	0394332	AUDI	95	95619159	0902332	CITROEN	254, 278, 304
95534101761	0394332	PORSCHE	1171	95639171	1211178	CITROEN	305
95534101761	0394332	VOLKSWAGEN	1686	95658882	0790073	CITROEN	248, 308, 314
95534101830	0384327	PORSCHE	1171	95658882	0790073	PEUGEOT	1081
95534101831	0384327	PORSCHE	1171	95658883	0780073	CITROEN	248, 308, 314
95534101832	0384327	PORSCHE	1171	95658883	0780073	PEUGEOT	1081
95534101833	0384327	PORSCHE	1171	95658884	0780072	CITROEN	247, 307, 314
95534101861	0384332	AUDI	95	95658884	0780072	PEUGEOT	1080
95534101861	0384332	PORSCHE	1171	95658885	0790072	CITROEN	247, 307, 314
95534101861	0384332	VOLKSWAGEN	1686	95658885	0790072	PEUGEOT	1080
95534102700	0304328	AUDI	94	95658978	0390313	CITROEN	243, 297
95534102700	0304328	PORSCHE	1170	95658978	0390313	PEUGEOT	1090
95534102701	0304328	AUDI	94	95658979	0380313	CITROEN	243, 297
95534102701	0304328	PORSCHE	1170	95658979	0380313	PEUGEOT	1090
95534124203	1215734	PORSCHE	1171	9566950880	0600918	CITROEN	292
95534158810	1215732	AUDI	95	9566950880	0600918	FIAT	346, 369-370, 387, 398
95534158810	1215732	PORSCHE	1171	9566950880	0600918	LANCIA	674
95534158810	1215732	VOLKSWAGEN	1685-1686, 1688	95834105100	0305562	PORSCHE	1170
95534306900	0504329	PORSCHE	1172	95834105100	0305562	VOLKSWAGEN	1688
955347031021	0594325	PORSCHE	1170	95834105300	0394593	AUDI	95
95534703120	0594325	PORSCHE	1170	95834105300	0394593	PORSCHE	1171
95534703121	0594325	PORSCHE	1170	95834105300	0394593	VOLKSWAGEN	1688
955347032020	0584325	PORSCHE	1170	95834105400	0384593	AUDI	95
95534703220	0584325	PORSCHE	1170	95834105400	0384593	PORSCHE	1171
95534703221	0584325	PORSCHE	1170	95834105400	0384593	VOLKSWAGEN	1688

RIF. ORIG. O.E. NUMBER	RIF. OCAP OCAP REF.	MARCA MAKE	PAG.	RIF. ORIG. O.E. NUMBER	RIF. OCAP OCAP REF.	MARCA MAKE	PAG.
95907943	0405745	CHEVROLET - DAEWOO	219, 235				312, 314
95907943	0405745	OPEL	1047	96110483	1215145	PEUGEOT	1080-1084, 1114-1117
95915220	0905594	CHEVROLET - DAEWOO	219, 235				
95915220	0905594	OPEL	1047	96111480	0502351	CITROEN	315
95915222	0285745	CHEVROLET - DAEWOO	235	96113432	1215275	CITROEN	242-243, 297
95915222	0285745	OPEL	1047	96113432	1215275	PEUGEOT	1090
95916024	0405745	CHEVROLET - DAEWOO	219, 235	96117499	1215616	CITROEN	251, 311
95916024	0405745	OPEL	1047	96117499	1215616	PEUGEOT	1082, 1084
95932789	0605745	CHEVROLET - DAEWOO	235	96127397	1211177	CITROEN	303
95932789	0605745	OPEL	1047	96129753	0282892	CHEVROLET - DAEWOO	222, 226, 229
95941670	0505594	CHEVROLET - DAEWOO	219				
95942519	0595745	CHEVROLET - DAEWOO	235	96129839	0505555	CHEVROLET - DAEWOO	223
95942519	0595745	OPEL	1048	96129839	0505555	OPEL	1041-1043
95942520	0585745	CHEVROLET - DAEWOO	235	96133255	1215147	CITROEN	242
95942520	0585745	OPEL	1048	96133608	0390175	CITROEN	242
95947829	0505593	CHEVROLET - DAEWOO	232	96133609	0380175	CITROEN	242
95952782 *	1216168	CHEVROLET - DAEWOO	232	96136394	0604105	CITROEN	277, 303
95952782	0795593	CHEVROLET - DAEWOO	232	96136394	0604105	PEUGEOT	1108, 1125
95952783 *	1216167	CHEVROLET - DAEWOO	232	96145457	0501642	CITROEN	304
95952783	0785593	CHEVROLET - DAEWOO	232	96158745	1215755	CITROEN	315
95952928	0905594	CHEVROLET - DAEWOO	219, 235	96177836	0501553	CITROEN	298, 304
95952928	0905594	OPEL	1047	96177836	0501553	PEUGEOT	1091, 1133
95952929	0605594	CHEVROLET - DAEWOO	219, 235	96185969	0791245	CHEVROLET - DAEWOO	223
95952929	0605594	OPEL	1047	96185969	0791245	OPEL	1043
95952930	0285594	CHEVROLET - DAEWOO	219	96185969	0791245	VAUXHALL	1541
95952936	0285594	CHEVROLET - DAEWOO	219	96185970	0781245	CHEVROLET - DAEWOO	223
95967285	0285593	CHEVROLET - DAEWOO	232	96185970	0781245	OPEL	1043
95967294	0605593	CHEVROLET - DAEWOO	232	96185970	0781245	VAUXHALL	1541
95B050465	0505780	PORSCHE	1175	96185971	0791245	CHEVROLET - DAEWOO	223
96025445	0400642	CITROEN	248, 308, 314	96185971	0791245	OPEL	1043
96025445	0400642	PEUGEOT	1081	96185971	0791245	VAUXHALL	1541
96032460	0600418	CITROEN	305	96185972	0781245	CHEVROLET - DAEWOO	223
96032460	0600418	PEUGEOT	1144	96185972	0781245	OPEL	1043
96035445	0400642	CITROEN	248, 308, 314	96185972	0781245	VAUXHALL	1541
96035445	0400642	PEUGEOT	1081	96205798	0282892	CHEVROLET - DAEWOO	222, 226, 229
96041652	0401124	CITROEN	254				
96048214 *	0500639	CITROEN	247, 249, 251, 307, 309, 311, 313	96205809	0282892	CHEVROLET - DAEWOO	222, 226, 229
96048214 *	0500639	PEUGEOT	1080, 1083				
96048214	0600639	CITROEN	247, 249, 251, 307, 309, 311, 313	96207628	0504530	CHEVROLET - DAEWOO	226
96048214	0600639	PEUGEOT	1080, 1083	96213117	0792894	CHEVROLET - DAEWOO	226
96051398	1215756	CITROEN	315	96213118	0782894	CHEVROLET - DAEWOO	226
96052007	0502352	CITROEN	315	96213119	0402894	CHEVROLET - DAEWOO	226
96054481 *	0901094	PEUGEOT	1091	96218397	0791245	CHEVROLET - DAEWOO	223
96054481	1215406	CITROEN	298	96218397	0791245	OPEL	1043
96054481	1215406	PEUGEOT	1091	96218397	0791245	VAUXHALL	1541
96054485	1249276	CITROEN	243	96218398	0781245	CHEVROLET - DAEWOO	223
96061907	0602454	CHEVROLET - DAEWOO	218, 224	96218398	0781245	OPEL	1043
96064489	1215393	CITROEN	245	96218398	0781245	VAUXHALL	1541
96064491	1215392	CITROEN	243	96218399	0791245	CHEVROLET - DAEWOO	223
96070144	0390176	CITROEN	254	96218399	0791245	OPEL	1043
96070145	0380176	CITROEN	254	96218399	0791245	VAUXHALL	1541
96083570	1215324	CITROEN	304	96218400	0781245	CHEVROLET - DAEWOO	223
96087507	0400641	CITROEN	247, 307, 314	96218400	0781245	OPEL	1043
96091568	0180558	CITROEN	242, 244, 296	96218400	0781245	VAUXHALL	1541
96091568	0180558	PEUGEOT	1089	96225858	0594529	CHEVROLET - DAEWOO	222, 226
96093233	0400199	CITROEN	243, 297	96225859	0584529	CHEVROLET - DAEWOO	222, 226
96103696	0400642	CITROEN	248, 308, 314	96261108	0404255	CHEVROLET - DAEWOO	233
96103696	0400642	PEUGEOT	1081	96261378	0294253	CHEVROLET - DAEWOO	233
96106474	1215058	CITROEN	243, 297	96261379	0284253	CHEVROLET - DAEWOO	233
96106474	1215058	PEUGEOT	1090	96268439	0794219	CHEVROLET - DAEWOO	229
96110483	1215145	CITROEN	247-252, 307-	96268440	0784219	CHEVROLET - DAEWOO	229
				96268454	0794220	CHEVROLET - DAEWOO	229
				96268455	0784220	CHEVROLET - DAEWOO	229
				96275018	0290771	CHEVROLET - DAEWOO	223
				96275018	0290771	GENERAL MOTORS	501

RIF. ORIG. O.E. NUMBER	RIF. OCAP OCAP REF.	MARCA MAKE	PAG.	RIF. ORIG. O.E. NUMBER	RIF. OCAP OCAP REF.	MARCA MAKE	PAG.
96275018	0290771	OPEL	1014, 1043	96535087	1216158	CHEVROLET - DAEWOO	218, 224
96275018	0290771	VAUXHALL	1541, 1551	96535089	0404259	CHEVROLET - DAEWOO	218, 224
96275019	0280771	CHEVROLET - DAEWOO	223	96535300	0602454	CHEVROLET - DAEWOO	218, 224
96275019	0280771	GENERAL MOTORS	501	96561754	0508684	CHEVROLET - DAEWOO	230
96275019	0280771	OPEL	1014, 1043	96561754	0508685	CHEVROLET - DAEWOO	230
96275019	0280771	VAUXHALL	1541, 1551	96603308	1215275	CITROEN	242-243, 297
96275798	0504227	CHEVROLET - DAEWOO	218, 224, 229, 233	96603308	1215275	PEUGEOT	1090
9628878780	0500488	CITROEN	257-258, 260, 267	96626150	0505169	CHEVROLET - DAEWOO	220
9628878780	0500488	PEUGEOT	1086, 1099, 1103-1104	96626150	0505169	OPEL	1011
96288865	0504227	CHEVROLET - DAEWOO	218, 224, 229, 233	96626235	0795337	CHEVROLET - DAEWOO	220
9630-0048	0402896	CHEVROLET - DAEWOO	229	96626235	0795337	OPEL	1011
96300048	0402896	CHEVROLET - DAEWOO	229	96626236	0785337	CHEVROLET - DAEWOO	220
96300222	0504226	CHEVROLET - DAEWOO	229	96626236	0785337	OPEL	1011
96300627	0504225	CHEVROLET - DAEWOO	229	96626247	0595337	CHEVROLET - DAEWOO	220
96300648	0402896	CHEVROLET - DAEWOO	229	96626247	0595337	OPEL	1011
96305974	0794219	CHEVROLET - DAEWOO	229	96626248	0585337	CHEVROLET - DAEWOO	220
96305975	0784219	CHEVROLET - DAEWOO	229	96626248	0585337	OPEL	1011
9631-6765	0701946	CHEVROLET - DAEWOO	227-228, 234	96626521 *	0605337	CHEVROLET - DAEWOO	220
96316765	0701946	CHEVROLET - DAEWOO	227-228, 234	96626521 *	0605337	OPEL	1011
9631-6765	0701946	SUZUKI	1423	96626667	0285337	CHEVROLET - DAEWOO	220, 235
96316765	0701946	SUZUKI	1423	96626667	0285337	OPEL	1011, 1047
96328434	1216174	CHEVROLET - DAEWOO	222	96639895	0795493	CHEVROLET - DAEWOO	222
96347856	0501855	CITROEN	262	96639896	0785493	CHEVROLET - DAEWOO	222
96347856	0501855	PEUGEOT	1120	96639910	0505493	CHEVROLET - DAEWOO	222
96378347	0794255	CHEVROLET - DAEWOO	233	96639918	0405493	CHEVROLET - DAEWOO	222
96378348	0784255	CHEVROLET - DAEWOO	233	96653381	1216159	CHEVROLET - DAEWOO	218, 224
96380613	1215556	OPEL	1009	9670771480 *	1216152	CITROEN	259
96380613	1215556	SUZUKI	1441	9670771480 *	1216152	PEUGEOT	1102
96380613	1215556	VAUXHALL	1538	9670771480	0785580	CITROEN	259
96388641	1216175	CHEVROLET - DAEWOO	222	9670771480	0785580	PEUGEOT	1102
96391850	0794248	CHEVROLET - DAEWOO	230	9670772080 *	1216153	CITROEN	259
96391851	0784248	CHEVROLET - DAEWOO	230	9670772080 *	1216153	PEUGEOT	1102
96391875	0504227	CHEVROLET - DAEWOO	218, 224, 229, 233	9670772080	0795580	CITROEN	259
96391876	0504245	CHEVROLET - DAEWOO	229	9670772080	0795580	PEUGEOT	1102
96403099	0594251	CHEVROLET - DAEWOO	230	9672192480	0405769	PEUGEOT	1123-1124
96403100	0584251	CHEVROLET - DAEWOO	230	9675028880	0782393	CITROEN	286
96407485	0294247	CHEVROLET - DAEWOO	230	9675028880	0782393	PEUGEOT	1105
96407486	0284247	CHEVROLET - DAEWOO	230	9675031880	0792393	CITROEN	286
96415063	0794248	CHEVROLET - DAEWOO	230	9675031880	0792393	PEUGEOT	1105
96415064	0784248	CHEVROLET - DAEWOO	230	9676032180	1216248	CITROEN	269-270
96434104903	0403054	PORSCHE	1160	9676032180	1216248	OPEL	1036
96434703200	0283053	PORSCHE	1160	9676032180	1216248	PEUGEOT	1123-1124, 1152
96434732202	0183051	PORSCHE	1160	9676035280	1216249	CITROEN	269-270
96445371	0791245	CHEVROLET - DAEWOO	223	9676035280	1216249	OPEL	1036
96445371	0791245	OPEL	1043	9676035280	1216249	PEUGEOT	1123-1124, 1152
96445371	0791245	VAUXHALL	1541	9677040580	1216160	CITROEN	286
96445372	0781245	CHEVROLET - DAEWOO	223	9677040580	1216160	PEUGEOT	1105
96445372	0781245	OPEL	1043	9677041080	1216161	CITROEN	286
96445372	0781245	VAUXHALL	1541	9677041080	1216161	PEUGEOT	1105
96445373	0791245	CHEVROLET - DAEWOO	223	9678311280 *	0788513	CITROEN	270
96445373	0791245	OPEL	1043	9678311280 **	0785769	PEUGEOT	1124
96445373	0791245	VAUXHALL	1541	9678311280	0788862	CITROEN	270
96445374	0781245	CHEVROLET - DAEWOO	223	9678311280	0788862	PEUGEOT	1124
96445374	0781245	OPEL	1043	9678311280 *	0798513	CITROEN	270
96445374	0781245	VAUXHALL	1541	9678311380 **	0795769	PEUGEOT	1124
96490218	0404248	CHEVROLET - DAEWOO	230	9678311380	0798862	CITROEN	270
96534703200	0283052	PORSCHE	1160	9678311380	0798862	PEUGEOT	1124
96535081	0794259	CHEVROLET - DAEWOO	218, 224	9680302580	1216392	PEUGEOT	1101
96535082	0784259	CHEVROLET - DAEWOO	218, 224	9680368180	1216392	PEUGEOT	1101
				9680667580	1216238	CITROEN	258, 260-261, 286
				9680667580	1216238	PEUGEOT	1103, 1105
				96809676	1216025	CHEVROLET - DAEWOO	220

RIF. ORIG. O.E. NUMBER	RIF. OCAP OCAP REF.	MARCA MAKE	PAG.	RIF. ORIG. O.E. NUMBER	RIF. OCAP OCAP REF.	MARCA MAKE	PAG.
96815893	0794259	CHEVROLET - DAEWOO	218	97034306921	0505777	PORSCHE	1177
96815894	0784259	CHEVROLET - DAEWOO	218	97034306922	0505777	PORSCHE	1177
9681897280	1216392	PEUGEOT	1101	97034306923	0505777	PORSCHE	1177
96819161 *	0405337	CHEVROLET - DAEWOO	220	97034713101	0295776	PORSCHE	1176
96819161 *	0405337	OPEL	1011	97034713201	0285776	PORSCHE	1176
96819161	0795337	CHEVROLET - DAEWOO	220	97034713300	0605776	PORSCHE	1176
96819161	0795337	OPEL	1011	97034719100	1211632	PORSCHE	1176
96819162	0785337	CHEVROLET - DAEWOO	220	97125004	0783893	OPEL	1035
96819162	0785337	OPEL	1011	97125004	0783893	VAUXHALL	1559
96852964 *	0405337	CHEVROLET - DAEWOO	220	97125005	0793893	OPEL	1035
96852964 *	0405337	OPEL	1011	97125005	0793893	VAUXHALL	1559
96852964	0405337	OPEL	1011	97125013	0583895	ISUZU	586
96870465	0794259	CHEVROLET - DAEWOO	218	97125013	0583895	OPEL	1034-1035
96870466	0784259	CHEVROLET - DAEWOO	218	97125013	0583895	VAUXHALL	1558-1559
9688101980	1216396	PEUGEOT	1122	97125014	0593895	ISUZU	586
9692105	0393841	VOLVO	1724	97125014	0593895	OPEL	1034-1035
9692106	0383841	VOLVO	1724	97125014	0593895	VAUXHALL	1558-1559
96970074	1216176	CHEVROLET - DAEWOO	222	97138388	1215685	OPEL	1035
96970075	1216175	CHEVROLET - DAEWOO	222	97138388	1215685	VAUXHALL	1559
96970076	0795493	CHEVROLET - DAEWOO	222	97138389	1215686	OPEL	1035
96970077	0785493	CHEVROLET - DAEWOO	222	97138389	1215686	VAUXHALL	1559
96996450	0595337	CHEVROLET - DAEWOO	220	97179420	1215687	OPEL	1035
96996450	0595337	OPEL	1011	97179420	1215687	VAUXHALL	1559
96996451	0585337	CHEVROLET - DAEWOO	220	97184819	0603892	OPEL	1035
96996451	0585337	OPEL	1011	97184819	0603892	VAUXHALL	1559
96996460	0505169	CHEVROLET - DAEWOO	220	97184820	0903891	OPEL	1035
96996460	0505169	OPEL	1011	97184820	0903891	VAUXHALL	1559
97018227	0583895	ISUZU	586	97184821	0283891	OPEL	1035
97018227	0583895	OPEL	1034-1035	97184821	0283891	VAUXHALL	1559
97018227	0583895	VAUXHALL	1558-1559	9750000280 *	0901169	CITROEN	279
97018228	0593895	ISUZU	586	9750000280 *	0901169	FIAT	357
97018228	0593895	OPEL	1034-1035	9750000280 *	0901169	PEUGEOT	1077, 1079
97018228	0593895	VAUXHALL	1558-1559	9750000280	1211064	CITROEN	279
97020954	0291422	OPEL	1034	9750000280	1211064	FIAT	357
97020954	0291422	VAUXHALL	1558	9750000280	1211064	PEUGEOT	1077, 1079
97033104300	0305778	PORSCHE	1177	9750000380	1211063	CITROEN	279
97033104700	0305779	PORSCHE	1177	9750000380	1211063	FIAT	357
97033124200	1216271	PORSCHE	1177	9750000380	1211063	PEUGEOT	1077, 1079
97033306903	0505778	PORSCHE	1177	9750001180	0600514	CITROEN	279
97033306905	0505778	PORSCHE	1177	9750001180	0600514	FIAT	357
97034105103	0305776	PORSCHE	1176	9750001180	0600514	PEUGEOT	1077
97034105110	0305776	PORSCHE	1176	9750079800	0280513	CITROEN	279
97034105122 *	1216316	PORSCHE	1176	9750079800	0280513	FIAT	357
97034105122	0305777	PORSCHE	1176	9750079800	0280513	PEUGEOT	1077
97034105123 *	1216316	PORSCHE	1176	9750390080	0600514	CITROEN	279
97034105123	0305777	PORSCHE	1176	9750390080	0600514	FIAT	357
97034105304	0395776	PORSCHE	1176	9750390080	0600514	PEUGEOT	1077
97034105323	0395777	PORSCHE	1177	9790002680 *	0501112	CITROEN	279
97034105324	0395777	PORSCHE	1177	9790002680 *	0501112	FIAT	357
97034105404	0385776	PORSCHE	1176	9790002680 *	0501112	PEUGEOT	1077
97034105423	0385777	PORSCHE	1177	9800596580 *	0388513	CITROEN	269
97034105424	0385777	PORSCHE	1177	9800596580 **	0385769	PEUGEOT	1123
97034124101	1216269	PORSCHE	1176	9800596580	0388861	CITROEN	269
97034124121	1216282	PORSCHE	1177	9800596580	0388861	PEUGEOT	1123
97034124301	1216268	PORSCHE	1176-1177	9800596680 *	0398513	CITROEN	269
97034124501	1216270	PORSCHE	1176	9800596680 **	0395769	PEUGEOT	1123
97034124502	1216270	PORSCHE	1176	9800596680	0398861	CITROEN	269
97034124521	1216283	PORSCHE	1177	9800596680	0398861	PEUGEOT	1123
97034124710	1215731	AUDI	94	9801145780	0385171	CITROEN	273, 275
97034124710	1215731	PORSCHE	1176	9801145780	0385171	PEUGEOT	1136, 1141, 1143
97034124710	1215731	VOLKSWAGEN	1685	9801145880	0395171	PEUGEOT	1143
97034125101	1216269	PORSCHE	1176	9803286480	0784600	CITROEN	258, 260, 267
97034306901	0505776	PORSCHE	1177	9803286480	0784600	PEUGEOT	1104
97034306902	0505776	PORSCHE	1177	9803286580	0794600	CITROEN	258, 260, 267
97034306903	0505776	PORSCHE	1177				

RIF. ORIG. O.E. NUMBER	RIF. OCAP OCAP REF.	MARCA MAKE	PAG.	RIF. ORIG. O.E. NUMBER	RIF. OCAP OCAP REF.	MARCA MAKE	PAG.
9803286580	0794600	PEUGEOT	1104	9939574	0901159	AUTOBIANCHI	125, 127
9803434080	0408513	CITROEN	269-270	9939574	0901159	FIAT	363, 375, 385, 400, 402, 404- 405, 407
9803434080	0408513	OPEL	1036				
9803434080	0408513	PEUGEOT	1152	9939574	0901159	LANCIA	654
9803481180	1216250	CITROEN	270	9939675	0602033	ALFA ROMEO	3, 7, 26
9803481180	1216250	PEUGEOT	1124	9939675	0602033	FIAT	340, 348, 395
9806907180	0503211	CITROEN	264, 270	9939675	0602033	LANCIA	652, 658-659, 667
9806907180	0503211	OPEL	1036				
9806907180	0503211	PEUGEOT	1121, 1124, 1152	9941127	0601171	FIAT	404
9807892380	1216249	CITROEN	269-270	9941293	1211095	LANCIA	662, 667
9807892380	1216249	OPEL	1036	9941582	0901161	FIAT	340, 346, 395
9807892380	1216249	PEUGEOT	1123-1124, 1152	9941582	0901161	LANCIA	652, 658-659
9807914180 *	0788513	CITROEN	270	9941625	0602033	ALFA ROMEO	3, 7, 26
9807914180 **	0785769	PEUGEOT	1124	9941625	0602033	FIAT	340, 348, 395
9807914180	0788862	CITROEN	270	9941625	0602033	LANCIA	652, 658-659, 667
9807914180	0788862	PEUGEOT	1124				
9807914280 *	0798513	CITROEN	270	9941835	0602028	ALFA ROMEO	14
9807914280 **	0795769	PEUGEOT	1124	9941835	0602028	FIAT	348
9807914280	0798862	CITROEN	270	9941835	0602028	LANCIA	667
9807914280	0798862	PEUGEOT	1124	9-94224-550-4	0400420	ISUZU	578, 581-585
9808868280	0500488	CITROEN	257-258, 260, 267	9943449	1211186	ALFA ROMEO	19
9808868280	0500488	PEUGEOT	1086, 1099, 1103-1104	9943835	0902521	ALFA ROMEO	14
9809045780	0503211	CITROEN	264, 270	9943856	0602507	ALFA ROMEO	21
9809045780	0503211	OPEL	1036	9943860	1211058	ALFA ROMEO	20-21
9809045780	0503211	PEUGEOT	1121, 1124, 1152	9944452	0600384	ALFA ROMEO	3, 5, 7, 26
9816380380	1216249	OPEL	1036	9944452	0600384	FIAT	346
9816380380	1216249	PEUGEOT	1152	9945562	0600443	FIAT	339, 380
9816865480	0788539	OPEL	1036	9945562	0600443	LANCIA	670
9816865480	0788539	PEUGEOT	1152	9945564 *	1211234	FIAT	339, 380, 382
9816865580	0798539	OPEL	1036	9945564 *	1211234	LANCIA	670
9816865580	0798539	PEUGEOT	1152	9945564	0901163	FIAT	339, 380, 382
98810139	0783814	FIAT	355	9945564	0901163	LANCIA	670
98810140	0793814	FIAT	355	9945565	0602028	ALFA ROMEO	14
9884060	0600754	VAUXHALL	1552	9945565	0602028	FIAT	348
98845024	0601530	FIAT	353	9945565	0602028	LANCIA	667
98845025	0601530	FIAT	353	9945583	0601139	CITROEN	288
98845026 *	1211383	FIAT	371	9945836	0601139	FIAT	359
98845026	0601532	FIAT	353	9945836	0601139	PEUGEOT	1072
98845026	0901644	FIAT	353, 371, 373, 394	9945837	0900449	FIAT	359
98845031	0281531	FIAT	353	9946815	0601013	LANCIA	662
98845032	0291531	FIAT	353	9946816 *	1211312	FIAT	370
98845882	0903265	FIAT	353	9946816 *	1211312	LANCIA	662, 664
98AG-3395-AE	0401056	FORD	444	9946816	0901317	FIAT	370
99334104902	0403057	PORSCHE	1161	9946816	0901317	LANCIA	662, 664
99334703103	0593055	PORSCHE	1161	9946817	0282029	ALFA ROMEO	14
99334703181	0583055	PORSCHE	1161	9946817	0282029	FIAT	348
99334713101	0603056	PORSCHE	1161	9946817	0282029	LANCIA	657, 662, 667
9938028	0600501	FIAT	410	9946947 *	1211331	FIAT	380
9938779	0900522	ALFA ROMEO	14	9946947	0902906	FIAT	380
9938779	0900522	FIAT	348, 386	9946947	0902906	LANCIA	670
9938779	0900522	LANCIA	667	9946948	0600442	FIAT	380, 382
9939038	0600412	FIAT	385	9946948	0600442	LANCIA	670
9939038	0600412	LANCIA	655	9946949	0280441	FIAT	339, 380, 382, 404
9939399	0600519	LANCIA	654				
9939555	1211094	FIAT	348	9946949	0280441	LANCIA	670
9939555	1211094	LANCIA	667	9946982	0900489	CITROEN	288
9939556	0182030	FIAT	348	9946982	0900489	FIAT	359
9939556	0182030	LANCIA	667	9946982	0900489	PEUGEOT	1072
9939557	0602031	FIAT	348	9947189 *	0602062	LANCIA	662
9939557	0602031	LANCIA	667	9947361	0602033	ALFA ROMEO	3, 7, 26
				9947361	0602033	FIAT	340, 348, 395
				9947361	0602033	LANCIA	652, 658-659, 667
				9947371	0601371	ALFA ROMEO	3, 5, 7, 26
				9947435	0290383	ALFA ROMEO	7, 26

RIF. ORIG. O.E. NUMBER	RIF. OCAP OCAP REF.	MARCA MAKE	PAG.	RIF. ORIG. O.E. NUMBER	RIF. OCAP OCAP REF.	MARCA MAKE	PAG.
9947435	0290383	FIAT	346	9950786	0601371	ALFA ROMEO	3, 5, 7, 26
9947435	0290383	LANCIA	659	9951287	0903082	ALFA ROMEO	9, 16
9947436	0280383	ALFA ROMEO	7, 26	9951287	0903082	LANCIA	669
9947436	0280383	FIAT	346	99633306902	0503249	PORSCHE	1162
9947436	0280383	LANCIA	659	99633306903	0503249	PORSCHE	1162
9947437	0290289	ALFA ROMEO	3, 5, 7, 26	99633306904	0503249	PORSCHE	1162
9947437	0290289	FIAT	340, 346, 395	99634105306 *	1215966	PORSCHE	1162
9947437	0290289	LANCIA	652, 658-659	99634105306	0303247	PORSCHE	1162
9947438	0280289	ALFA ROMEO	3, 5, 7, 26	99634105307 *	1215966	PORSCHE	1162
9947438	0280289	FIAT	340, 346, 395	99634105307	0303247	PORSCHE	1162
9947438	0280289	LANCIA	652, 658-659	99634105314 *	1215966	PORSCHE	1162
9947440	0291125	FIAT	340	99634105314	0303247	PORSCHE	1162
9947441	0281125	FIAT	340	99634105316 *	1215966	PORSCHE	1162
9947534	0901359	ALFA ROMEO	1	99634105316	0303247	PORSCHE	1162
9947713	0600918	FIAT	346, 369-370, 387, 398	99634105317 *	1215966	PORSCHE	1162
9947714	0281326	ALFA ROMEO	3, 5, 7, 26	99634105317	0303247	PORSCHE	1162
9947714	0281326	FIAT	340, 346, 353, 369-370, 400	99634306902	0593248	PORSCHE	1162, 1168
9947718	0601371	ALFA ROMEO	3, 5, 7, 26	99634306903	0593248	PORSCHE	1162, 1168
9947718	0601371	FIAT	340, 346	99634306904	0593248	PORSCHE	1162, 1168
9947719	0281326	ALFA ROMEO	3, 5, 7, 26	99634307002	0583248	PORSCHE	1162, 1168
9947719	0281326	FIAT	340, 346, 353, 369-370, 400	99634307003	0583248	PORSCHE	1162, 1168
9947720	0281375	ALFA ROMEO	5, 7, 26	99634307004	0583248	PORSCHE	1162, 1168
9947720	0281375	LANCIA	664	99634713101	0283245	PORSCHE	1162-1163, 1168-1169
9947764	0281370	ALFA ROMEO	3, 26	99634713103	0283245	PORSCHE	1162-1163, 1168-1169
9947765	0291370	ALFA ROMEO	3, 26	99634713104	0283245	PORSCHE	1162-1163, 1168-1169
9947919	0293082	ALFA ROMEO	9, 16	99634732203	0603246	PORSCHE	1162, 1168
9947919	0293082	LANCIA	669	99733306904	0593246	PORSCHE	1163
9947920	0283082	ALFA ROMEO	9, 16	99733306905	0593246	PORSCHE	1163
9947920	0283082	LANCIA	669	99733306906	0593246	PORSCHE	1163
9947921	0903082	ALFA ROMEO	9, 16	99733307004	0583246	PORSCHE	1163
9947921	0903082	LANCIA	669	99733307005	0583246	PORSCHE	1163
9947923	0603081	ALFA ROMEO	9	99733307006	0583246	PORSCHE	1163
9947926	0281375	ALFA ROMEO	5, 7, 26	99734306900	0593245	PORSCHE	1163, 1169
9947926	0281375	FIAT	346, 369	99734306901	0593245	PORSCHE	1163, 1169
9947926	0281375	LANCIA	664	99734306902	0593245	PORSCHE	1163, 1169
9948263	0601452	FIAT	340	99734306903	0593245	PORSCHE	1163, 1169
9948292	0601448	FIAT	371, 400	99734306904	0593245	PORSCHE	1163, 1169
9948296	0601777	LANCIA	664	99734307000	0583245	PORSCHE	1163, 1169
9948297	0601350	ALFA ROMEO	16	99734307001	0583245	PORSCHE	1163, 1169
9948343	0600442	FIAT	380, 382	99734307002	0583245	PORSCHE	1163, 1169
9948343	0600442	LANCIA	670	99734307003	0583245	PORSCHE	1163, 1169
9949216	0901858	FIAT	392	99734307004	0583245	PORSCHE	1163, 1169
9949217	0601454	FIAT	392	99734732200	0603245	PORSCHE	1163, 1169
9949218	0281858	FIAT	343, 392	99734732201	0603245	PORSCHE	1163, 1169
9949218	0281858	LANCIA	660	9983325	0600516	ALFA ROMEO	22
9949311	0604207	LANCIA	669	9983325	0600516	IVECO	587
9950452	0600384	FIAT	346	9S513078AA	0392685	FORD	459
9950650	0902548	ALFA ROMEO	3, 5, 7, 26	9S513078BA	0382685	FORD	459
9950669	0290383	ALFA ROMEO	7, 26	9S513270AA	0293882	FORD	459
9950669	0290383	FIAT	346	9S513270BA	0283882	FORD	459
9950669	0290383	LANCIA	659	9S513K661AA *	1211470	FIAT	377, 379, 415
9950670	0280383	ALFA ROMEO	7, 26	9S513K661AA *	1211470	FORD	459, 487
9950670	0280383	FIAT	346	9S513K661AA *	1211470	LANCIA	673
9950670	0280383	LANCIA	659	9S513K661AA	0903883	FORD	424, 459, 487
9950671	0290289	ALFA ROMEO	3, 5, 7, 26	9YA00-1002 *	0505586	MAZDA	732
9950671	0290289	FIAT	340, 346, 395	A1563300100	0398666	MERCEDES	759, 777
9950671	0290289	LANCIA	652, 658-659	A1563300200	0388666	MERCEDES	759, 777
9950672	0280289	ALFA ROMEO	3, 5, 7, 26	A1563300500	0398666	MERCEDES	759, 777
9950672	0280289	FIAT	340, 346, 395	A1563300600	0388666	MERCEDES	759, 777
9950672	0280289	LANCIA	652, 658-659	A204 510842	1216426	MERCEDES	773, 797, 803
9950775	0281375	ALFA ROMEO	5, 7, 26	A2043510342	1216426	MERCEDES	773, 797, 803
9950775	0281375	LANCIA	664	A2053306101	0395773	MERCEDES	775

RIF. ORIG. O.E. NUMBER	RIF. OCAP OCAP REF.	MARCA MAKE	PAG.	RIF. ORIG. O.E. NUMBER	RIF. OCAP OCAP REF.	MARCA MAKE	PAG.
A2053306201	0385773	MERCEDES	775	B32H-34-300D *	1215721	VOLVO	1716-1717, 1721-1722
A2054600605	0295771	MERCEDES	774	B32H-34-300D	0784428	MAZDA	712
A2054600705	0285771	MERCEDES	774	B32H-34-350	0794428	MAZDA	712
A2054600805	0605771	MERCEDES	774	B32H-34-350D	0794428	MAZDA	712
A2463301700	0295742	MERCEDES	759, 777	B32H-34-350E *	1216216	MAZDA	712
A2463301800	0285742	MERCEDES	759, 777	B455-32-24X	0603396	MAZDA	718
A2463380000	0605742	MERCEDES	759, 777	B455-32-25X	0603397	MAZDA	718
ANR1799	0400825	LAND ROVER	675, 677, 686- 687	B455-34-300	0783400	MAZDA	718
ANR2858	0193069	LAND ROVER	675	B455-34-300E	0783400	MAZDA	718
ANR2860	0903069	LAND ROVER	675	B455-34-350	0793400	MAZDA	718
ANR3304	0503215	LAND ROVER	688	B455-34-350E	0793400	MAZDA	718
ANR3671	1215608	LAND ROVER	679	B455-34-550	0403398	MAZDA	718
ANR3824	0593066	LAND ROVER	688	B456-32-25X	0603397	MAZDA	718
ANR3825	0583066	LAND ROVER	688	BA29-32135	0603385	MAZDA	716
ANR3826	0503067	LAND ROVER	688	BAU1819	0600253	ROVER GROUP	1278
ANR5735	0901817	LAND ROVER	683	BAU2363 *	0901639	ROVER GROUP	1277-1278
AY113063AA	1216247	FORD	442, 487	BAU2363	1211157	ROVER GROUP	1277-1278
B000770180	0782131	CITROEN	256	BBM2-34-170	0504346	FORD	447, 449, 460- 461, 486
B000770180	0782131	PEUGEOT	1093	BBM2-34-170	0504346	MAZDA	713
B000770180	0782131	TOYOTA	1463	BBM2-34-170	0504346	VOLVO	1717, 1722
B000770280	0792131	CITROEN	256	BBM2-34-170A	0504346	FORD	447, 449, 460- 461, 486
B000770280	0792131	PEUGEOT	1093	BBM2-34-170A	0504346	MAZDA	713
B000770280	0792131	TOYOTA	1463	BBM2-34-170A	0504346	VOLVO	1717, 1722
B001-32-135	0603384	MAZDA	716	BBM2-34-300 *	1216217	MAZDA	712
B001-34-310C	0783386	MAZDA	716	BBM2-34-300	0784429	MAZDA	712
B001-34-360C	0793386	MAZDA	716	BBM2-34-300A	0784429	MAZDA	712
B001-34-550	0400358	MAZDA	716	BBM2-34-350 *	1216217	MAZDA	712
B001-99-324	0280357	MAZDA	716	BBM2-34-350	0794429	MAZDA	712
B001-99-325	0290357	MAZDA	716	BBM2-34-350A	0794429	MAZDA	712
B01A-34-300E	0783399	MAZDA	719	BBM3-34-170	0504346	FORD	447, 449, 460- 461, 486
B01A-34-350E	0793399	MAZDA	719	BBM3-34-170	0504346	MAZDA	713
B01A-34-500A	0403399	MAZDA	718-719, 737	BBM3-34-170	0504346	VOLVO	1717, 1722
B01A-34-550	0403399	MAZDA	718-719, 737	BC1D-28-170	0504439	MAZDA	719, 746
B029-34-159	0504586	MAZDA	717-718	BC1D-28-170A	0504439	MAZDA	719, 746
B037-99-324	0280357	MAZDA	716	BD8M3049	0400008	FORD	421
B037-99-325	0290357	MAZDA	716	BE1E3289B	0180647	FORD	421
B038-32-135	0603385	MAZDA	716	BE1E3304B	0500646	FORD	421
B092-28-500B	0783406	MAZDA	717-718	BF67-32-240	0683387	MAZDA	717
B092-28-550B	0793406	MAZDA	717-718	BK213059A	1216245	FORD	498-499
B092-32-240	0603388	MAZDA	717	BK213A262AC	1216246	FORD	498-499
B092-34-310A	0783391	MAZDA	717	BK213L519AA	0603867	FORD	498
B092-34-360A	0793391	MAZDA	717	BK3P-34-300D	0404428	MAZDA	712, 736
B092-34-550	0403390	KIA	635	BMH7113 *	0901638	ROVER GROUP	1280
B092-34-550	0403390	MAZDA	717	BMH7113	1211156	ROVER GROUP	1280
B093-32-240	0683387	MAZDA	717	BP4K-28-170C	0504290	FORD	448
B093-32-250	0693387	MAZDA	717	BP4K-28-170C	0504290	MAZDA	713
B094-32-240	0603389	MAZDA	717	BP4K-28-170C	0504290	VOLVO	1723
B21H-32-25X	0604438	MAZDA	719	BP4K-28-170D	0504290	FORD	448
B25D-32-240	0694434	MAZDA	720, 743	BP4K-28-170D	0504290	MAZDA	713
B25D-32-250	0684434	MAZDA	720, 743	BP4K-28-170D	0504290	VOLVO	1723
B25D-34-300A	0782640	MAZDA	720	BP4K-28-500C	0704498	FORD	445, 448, 450
B25D-34-300B	0782640	MAZDA	720	BP4K-28-500C	0704498	MAZDA	713
B25D-34-300C	0782640	MAZDA	720	BP4K-28-500C	0704498	VOLVO	1717, 1723
B25D-34-300D	0782640	MAZDA	720	BP4K-28-500D	0704498	FORD	445, 448, 450
B25D-34-350A	0792640	MAZDA	720	BP4K-28-500D	0704498	MAZDA	713
B25D-34-350B	0792640	MAZDA	720	BP4K-28-500D	0704498	VOLVO	1717, 1723
B25D-34-350C	0792640	MAZDA	720	BP4K-28-500E	0704498	FORD	445, 448, 450
B25D-34-350D	0792640	MAZDA	720	BP4K-28-500E	0704498	MAZDA	713
B26R-28-170	0501588	MAZDA	720, 743	BP4K-28-500E	0704498	VOLVO	1717, 1723
B26R-34-170	0504433	MAZDA	720, 743	BP4K-28-500E	0704498	FORD	445, 448, 450
B30H-28-170B	0502797	MAZDA	720, 743	BP4K-28-500E	0704498	MAZDA	713
B32H-34-300	0784428	MAZDA	712	BP4K-28-500E	0704498	VOLVO	1717, 1723
B32H-34-300D *	1215721	FORD	446-447, 460	BP4K-28-C10B	0702739	FORD	445, 447, 450
B32H-34-300D *	1215721	MAZDA	712	BP4K-28-C10B	0702739	MAZDA	713

RIF. ORIG. O.E. NUMBER	RIF. OCAP OCAP REF.	MARCA MAKE	PAG.	RIF. ORIG. O.E. NUMBER	RIF. OCAP OCAP REF.	MARCA MAKE	PAG.
BP4K-28-C10B	0702739	VOLVO	1717, 1723	C2S20741	0709260	JAGUAR	597
BP4K-34-170C	0504346	FORD	447, 449, 460- 461, 486	C2S24698	0502748	JAGUAR	597
BP4K-34-170C	0504346	MAZDA	713	C2S24713	0708663	JAGUAR	597
BP4K-34-170C	0504346	VOLVO	1717, 1722	C2S25024	0709260	JAGUAR	597
BP4K-34-170D	0504346	FORD	447, 449, 460- 461, 486	C2S3248	0501774	FORD	468
BP4K-34-170D	0504346	MAZDA	713	C2S3248	0501774	JAGUAR	596
BP4K-34-170D	0504346	VOLVO	1717, 1722	C2S3257	0708663	JAGUAR	597
BP4K-34-300E *	1216216	MAZDA	712	C2S39552	0501535	JAGUAR	596
BP4K-34-300E	0784428	MAZDA	712	C2S39661 *	0401776	JAGUAR	596
BP4K-34-350E	0794428	MAZDA	712	C2S39661	0781773	JAGUAR	596
BP4L-32-240	0604522	MAZDA	712	C2S39662 *	0401776	JAGUAR	596
BP4L-32-280	0284429	MAZDA	712	C2S39662	0791773	JAGUAR	596
BP4L-32-290	0294429	MAZDA	712	C2S40709	0502748	JAGUAR	597
BS06-32-240	0603396	MAZDA	718	C2S45009	0502748	JAGUAR	597
C100-34-300A	0784594	MAZDA	743	C2S4585	0502748	JAGUAR	597
C100-34-300B	0784594	MAZDA	743	C2S47357	0281771	JAGUAR	596
C100-34-350A	0794594	MAZDA	743	C2S50863	0709260	JAGUAR	597
C100-34-350B	0794594	MAZDA	743	C2Z2215	0602399	JAGUAR	598
C12803	0402399	JAGUAR	600-601	C2Z2278	0382745	JAGUAR	594, 598
C14434	0402398	JAGUAR	600-601	C2Z2279	0392745	JAGUAR	594, 598
C15890	0402398	JAGUAR	600-601	C2Z5517	0282398	JAGUAR	598, 602
C23024	0402398	JAGUAR	600-601	C2Z5518	0292398	JAGUAR	598, 602
C2C 36866	0402745	JAGUAR	598	CAC9937	0402399	JAGUAR	600-601
C2C10793	0502745	JAGUAR	594, 598, 602	CAC9938	0402398	JAGUAR	600-601
C2C12119	0402745	JAGUAR	594, 598	CN153042AB	0788887	FORD	424
C2C13834	1216202	JAGUAR	594, 598	CN153051AB	0798887	FORD	424
C2C13835	0502746	JAGUAR	595, 602	D031-34-310A	0303865	KIA	631
C2C14898	0602747	JAGUAR	592, 594, 602	D031-34-310A	0303865	MAZDA	708
C2C14899	0602747	JAGUAR	592, 594, 602	D031-34-320A	0303865	KIA	631
C2C1802	0502746	JAGUAR	595, 602	D031-34-320A	0303865	MAZDA	708
C2C18350	0402745	JAGUAR	594, 598	D061-32-24XA	0601481	MAZDA	708
C2C18419	0502746	JAGUAR	595, 602	D061-34-300	0303865	KIA	631
C2C-18571	0589278	JAGUAR	593, 595, 599, 602	D061-34-300	0303865	MAZDA	708
C2C18571	0589278	JAGUAR	593, 595, 599, 602	D061-34-350	0303865	KIA	631
C2C-18572	0599278	JAGUAR	593, 595, 599, 602	D061-34-350	0303865	MAZDA	708
C2C18572	0599278	JAGUAR	593, 595, 599, 602	D10232240A	0694444	MAZDA	734
C2C18573	0502745	JAGUAR	594, 598, 602	D10232250A	0684444	MAZDA	734
C2C20176	0282747	JAGUAR	594, 602	D201-34-300E	0384590	MAZDA	734
C2C20177	0292747	JAGUAR	594, 602	D201-34-350A	0394590	MAZDA	734
C2C21984	0302745	JAGUAR	594, 598	D27Z-3A131A	0193429	MAZDA	744
C2C240305	0502746	JAGUAR	595, 602	D651-32-240	0608091	MAZDA	711
C2C26261	0302745	JAGUAR	594, 598	D651-32-280	0288091	MAZDA	711
C2C26267	1216202	JAGUAR	594, 598	D65132280	0288091	MAZDA	711
C2C26835	0302745	JAGUAR	594, 598	D651-32-290	0298091	MAZDA	711
C2C26851	1216202	JAGUAR	594, 598	D65132290	0298091	MAZDA	711
C2C29620	0602747	JAGUAR	592, 594, 602	D651-32-350C	0793252	FORD	441
C2C29621	0602747	JAGUAR	592, 594, 602	D651-32-350C	0793252	MAZDA	711
C2C34774	0602747	JAGUAR	592, 594, 602	D651-32-350D	0793252	FORD	441
C2C36013	0302745	JAGUAR	594, 598	D651-32-350D	0793252	MAZDA	711
C2C36029	1216202	JAGUAR	594, 598	D651-34-170	0503253	FORD	424, 442-443, 487
C2C36866	0402745	JAGUAR	594	D651-34-170	0503253	MAZDA	711
C2C36868	0302745	JAGUAR	594, 598	D651-34-300 *	0403252	FORD	424, 441-442, 487
C2C36985	0502746	JAGUAR	595, 602	D651-34-300 *	0403252	MAZDA	711
C2C38669	0602747	JAGUAR	592, 594, 602	D651-34-300	0783252	FORD	441
C2C39468	0502745	JAGUAR	594, 598, 602	D651-34-300	0783252	MAZDA	711
C2C39683	0302745	JAGUAR	594, 598	D651-34-300C	0783252	FORD	441
C2C4471	1216202	JAGUAR	594, 598	D651-34-300C	0783252	MAZDA	711
C2C8370	0282747	JAGUAR	594, 602	D651-34-300D	0783252	FORD	441
C2C8371	0292747	JAGUAR	594, 602	D651-34-300D	0783252	MAZDA	711
C2S12013	0281771	JAGUAR	596	D651-34-350 *	0403252	FORD	424, 441-442, 487
				D651-34-350 *	0403252	MAZDA	711
				D651-34-350	0793252	FORD	441

RIF. ORIG. O.E. NUMBER	RIF. OCAP OCAP REF.	MARCA MAKE	PAG.	RIF. ORIG. O.E. NUMBER	RIF. OCAP OCAP REF.	MARCA MAKE	PAG.
D651-34-350	0793252	MAZDA	711	DE90-32-240	0603820	FORD	440
D653-32-240	0608091	MAZDA	711	DE90-32-240	0603820	MAZDA	710
D77Z-3A131A	0193429	MAZDA	744	DE90-32-280	0283819	FORD	440
D8203-1HA0A	0905598	NISSAN	950	DE90-32-280	0283819	MAZDA	710
D8520-0W025	0284511	NISSAN	957, 967, 1005	DE90-32-290	0293819	FORD	440
D8520-1AA0A	0285739	NISSAN	952	DE90-32-290	0293819	MAZDA	710
D8520-1HA0A	0285598	NISSAN	950	DG16240900	0280010	FIAT	407
D8520-1KA0A	0288071	NISSAN	940	DG16240900	0280010	SEAT	1357
D8520-4EA0A	0285783	NISSAN	983	DG9C-3F891-BA	0908882	FORD	455, 472
D8520-4EA0A	0285783	RENAULT	1196	E016-32-250	0604588	MAZDA	719
D8520-EW00A	0292665	NISSAN	938, 949, 953, 995	E016-32-25X	0604437	MAZDA	719, 737
D8520-JA00A	0285739	NISSAN	952	E112-32-240	0606491	FORD	463
D8520-JG00A	0283123	NISSAN	981, 1006	E112-32-240	0606491	MAZDA	746
D8520-JG00A	0283123	RENAULT	1202	E112-32-280	0286491	FORD	463
D8520-JY00A	0283123	NISSAN	981, 1006	E112-32-280	0286491	MAZDA	746
D8520-JY00A	0283123	RENAULT	1202	E112-32-960E	0286491	FORD	463
D8520-VK90A	0284511	NISSAN	957, 967, 1005	E112-32-960E	0286491	MAZDA	746
D8521-1AA0A	0605739	NISSAN	952	E116-32-960C	0286491	FORD	463
D8521-1HA0A	0605598	NISSAN	950	E116-32-960C	0286491	MAZDA	746
D85211KA0A	0608071	NISSAN	940	E17Z-3049A	0400343	MAZDA	744
D8521-JD00B	0603271	NISSAN	981, 1006	E17Z-3050A	0400344	MAZDA	744
D8521-JD00B	0603271	RENAULT	1202	E17Z-3350A	0300345	MAZDA	744
D8521-JG00A	0603271	NISSAN	981, 1006	E17Z-3A130A	0280342	MAZDA	744
D8521-JG00A	0603271	RENAULT	1202	E17Z-3A130B	0280342	MAZDA	744
D8521-JG00A	0603271	NISSAN	981, 1006	E17Z-3A-131A	0292933	FORD	474
D8521-JG00A	0603271	RENAULT	1202	E17Z-3A-131A	0292933	MAZDA	731, 744
D8521-MB40A	0608521	NISSAN	936	EA01-28-170	0504441	MAZDA	737
D8521-MD00A	0608522	NISSAN	936	EA01-28-170D	0504441	MAZDA	737
D8560-VK90A	0503118	NISSAN	967	EA03-34-170A	0504440	MAZDA	734, 737
D8640-1AA0A	0295739	NISSAN	952	EC01-32-240	0603968	FORD	463-464, 466
D8640-1HA0A	0295598	NISSAN	950	EC01-32-240	0603968	MAZDA	746
D8640-1KA0A	0298071	NISSAN	940	EC01-32-240A	0603968	FORD	463-464, 466
D8640-4EA0A	0295783	NISSAN	983	EC01-32-240A	0603968	MAZDA	746
D8640-4EA0A	0295783	RENAULT	1196	EC01-32-280	0288072	FORD	463
D8640-EW00A	0282665	NISSAN	938, 949, 953, 995	EC01-32-280	0288072	MAZDA	746
D8640-JA00A	0295739	NISSAN	952	EC01-32-280A	0288072	FORD	463
D8640-JG00A	0293123	NISSAN	981, 1006	EC01-32-280A	0288072	MAZDA	746
D8640-JG00A	0293123	RENAULT	1202	EC01-34-150	0504439	MAZDA	719, 746
D8640-JY00A	0293123	NISSAN	981, 1006	EC01-34-150A	0504439	MAZDA	719, 746
D8640-JY00A	0293123	RENAULT	1202	EC01-34-150F	0504439	MAZDA	719, 746
D8E20-1AA0A	0285739	NISSAN	952	EC01-34-300F	0786491	FORD	463
D8E21-1AA0A	0605739	NISSAN	952	EC01-34-300F	0786491	MAZDA	746
D8F40-1AA0A	0295739	NISSAN	952	EC01-34-300F	0786491	FORD	463
DA782745AB	0309274	CHRYSLER	241	EC01-34-300G	0786491	MAZDA	746
DA782836AB	0309275	CHRYSLER	241	EC01-34-300H	0786491	FORD	463
DBP7474 *	0904612	ROVER GROUP	1287	EC01-34-300H	0786491	MAZDA	746
DBP7474	1211269	ROVER GROUP	1287	EC01-34-300J *	0400349	FORD	463
DCT7494EVA	0283352	HONDA	528	EC01-34-300J *	0400349	KIA	622
DCT7494EVA	0283352	ROVER GROUP	1294	EC01-34-300J *	0400349	MAZDA	724-727, 742, 746-747
DCT7495EVA	0293352	HONDA	528	EC01-34-300J	0786491	FORD	463
DCT7495EVA	0293352	ROVER GROUP	1294	EC01-34-300J	0786491	MAZDA	746
DD32-32-280	0283819	FORD	440	EC01-34-300K	0786491	FORD	463
DD32-32-280	0283819	MAZDA	710	EC01-34-300K	0786491	MAZDA	746
DD32-32-290	0293819	FORD	440	EC01-34-300L	0786491	FORD	463
DD32-32-290	0293819	MAZDA	710	EC01-34-300L	0786491	MAZDA	746
DD32-34-170	0503822	FORD	440	EC01-34-350F	0796491	FORD	463
DD32-34-170	0503822	MAZDA	710	EC01-34-350F	0796491	MAZDA	746
DD32-34-300 *	0403821	FORD	440	EC01-34-350G	0796491	FORD	463
DD32-34-300 *	0403821	MAZDA	710	EC01-34-350G	0796491	MAZDA	746
DD32-34-300	0783821	FORD	440	EC01-34-350H	0796491	FORD	463
DD32-34-300	0783821	MAZDA	710	EC01-34-350H	0796491	MAZDA	746
DD32-34-350 *	0403821	FORD	440	EC01-34-350J	0796491	FORD	463
DD32-34-350 *	0403821	MAZDA	710	EC01-34-350J	0796491	MAZDA	746
DD32-34-350	0793821	FORD	440	EC01-34-350J	0796491	FORD	463
DD32-34-350	0793821	MAZDA	710	EC01-34-350K	0796491	FORD	463

RIF. ORIG. O.E. NUMBER	RIF. OCAP OCAP REF.	MARCA MAKE	PAG.	RIF. ORIG. O.E. NUMBER	RIF. OCAP OCAP REF.	MARCA MAKE	PAG.
EC01-34-350K	0796491	MAZDA	746	GA2A-34-170A	0593801	KIA	622
EC01-34-350L	0796491	FORD	463	GA2A-34-170A	0593801	MAZDA	719, 724, 726-727, 733, 740-741, 747
EC01-34-350L	0796491	MAZDA	746				
EG21-28-500B	0708097	MAZDA	733	GA2A-34-300	0783409	MAZDA	726
EG21-32-240	0608097	MAZDA	733	GA2A-34-350	0793409	MAZDA	726
EG21-32-280	0288097	MAZDA	733	GA2B-28-170A	0503706	MAZDA	726, 747
EG21-32-280A	0288097	MAZDA	733	GA2B-28-170B	0503706	MAZDA	726, 747
EG21-32-290	0298097	MAZDA	733	GA2C-28-170A	0503706	MAZDA	726, 747
EG21-32-290A	0298097	MAZDA	733	GA2C-28-170B	0503706	MAZDA	726, 747
EG21-34-300D	0788097	MAZDA	733	GA6A-99-356	0400349	FORD	463
EG21-34-350D	0798097	MAZDA	733	GA6A-99-356	0400349	KIA	622
EGP1662	0503070	HONDA	519	GA6A-99-356	0400349	MAZDA	724-727, 742, 746-747
EGP1662	0503070	ROVER GROUP	1282-1283, 1289	GA6B-99-356	0400349	FORD	463
EGP1664	1215290	ROVER GROUP	1282-1283, 1289	GA6B-99-356	0400349	KIA	622
EGP1673	1215289	ROVER GROUP	1282-1283, 1288-1289	GA6B-99-356	0400349	MAZDA	724-727, 742, 746-747
EH44-34-300 *	0408097	MAZDA	733	GA6B-99-356A	0400349	FORD	463
EH44-34-300	0788097	MAZDA	733	GA6B-99-356A	0400349	KIA	622
EH44-34-300C	0788097	MAZDA	733	GA6B-99-356A	0400349	MAZDA	724-727, 742, 746-747
EH44-34-350 *	0408097	MAZDA	733	GA6BE-34-300	0783409	MAZDA	726
EH44-34-350	0798097	MAZDA	733	GA6BE-34-350	0793409	MAZDA	726
EH44-34-350C	0798097	MAZDA	733	GD1E-34-150	0583801	KIA	622
EIFZ3079A	0390649	FORD	484	GD1E-34-150	0583801	MAZDA	719, 724, 726-727, 733, 740-741, 747
ES2153RL	0284019	FORD	484	GD1E-34-170	0593801	KIA	622
EV118	0684016	FORD	484	GD1E-34-170	0593801	MAZDA	719, 724, 726-727, 733, 740-741, 747
EV120	0684016	FORD	484				
EY163063AA	1216247	FORD	442, 487	GD7A-34-300A	0782798	MAZDA	727, 747
F151-28-170	0505585	MAZDA	741	GD7A-34-350A	0792798	MAZDA	727, 747
F151-34-150	0583801	KIA	622	GE4T-28-170	0502657	MAZDA	727
F151-34-150	0583801	MAZDA	719, 724, 726-727, 733, 740-741, 747	GE4T-31-300	0782798	MAZDA	727, 747
F4BZ-3A130-A	0281584	KIA	627, 632	GE4T-31-300C	0782798	MAZDA	727, 747
FAM9594	0400256	ROVER GROUP	1278	GE4T-31-300E	0782798	MAZDA	727, 747
FB01-32-240A	0602564	MAZDA	745	GE4T-31-350	0792798	MAZDA	727, 747
FD01-32-240	0601597	MAZDA	745	GE4T-31-350C	0792798	MAZDA	727, 747
FTC3570	0403058	LAND ROVER	679, 688	GE4T-31-350E	0792798	MAZDA	727, 747
FTC3571	0403060	LAND ROVER	679, 688	GE4T-32-240	0601589	MAZDA	727
G030-32-240A	0680348	MAZDA	724	GE4T-32-240A	0601589	MAZDA	727
G030-32-250A	0690348	MAZDA	724	GE4T-34-300C	0782798	MAZDA	727, 747
G030-34-300F	0783404	MAZDA	724	GE4T-34-350C	0792798	MAZDA	727, 747
G030-34-350F	0793404	MAZDA	724	GF22-34-300A	0783405	MAZDA	725
G030-99-356	0400349	FORD	463	GF22-34-350A	0793405	MAZDA	725
G030-99-356	0400349	KIA	622	GJ21-32-240	0603508	MAZDA	725
G030-99-356	0400349	MAZDA	724-727, 742, 746-747	GJ22-32-240	0603508	MAZDA	725
G037-32-240C	0683401	MAZDA	724	GJ22-34-300A	0783405	MAZDA	725
G037-32-250C	0693401	MAZDA	724	GJ22-34-350A	0793405	MAZDA	725
GA2A-32-250	0604450	MAZDA	726, 742, 747	GJ6A-28-170A	0501587	MAZDA	721
GA2A-32-280A	0281593	MAZDA	720, 726-727, 736, 742-743, 747	GJ6A-34-150A	0584432	MAZDA	721
GA2A-34-150	0583801	KIA	622	GJ6A-34-170A	0594432	MAZDA	721
GA2A-34-150	0583801	MAZDA	719, 724, 726-727, 733, 740-741, 747	GJ6A-34-200B	0784431	MAZDA	721
GA2A-34-150A	0583801	KIA	622	GJ6A-34-250B	0794431	MAZDA	721
GA2A-34-150A	0583801	MAZDA	719, 724, 726-727, 733, 740-741, 747	GJ6A-34-300B	0302775	MAZDA	721
GA2A-34-170	0593801	KIA	622	GJ6A-34-300C	0302775	MAZDA	721
GA2A-34-170	0593801	MAZDA	719, 724, 726-727, 733, 740-741, 747	GJ6A-34-300D	0302775	MAZDA	721
				GJ6A-34-300E	0302775	MAZDA	721
				GJ6A-34-540	0404431	MAZDA	721-722
				GJ6A-34-J00B	0382759	MAZDA	721
				GJ6A-34-J00C	0382759	MAZDA	721
				GJ6A-34-J00D	0382759	MAZDA	721
				GJ6A-34-J50B	0392759	MAZDA	721
				GJ6A-34-J50C	0392759	MAZDA	721

RIF. ORIG. O.E. NUMBER	RIF. OCAP OCAP REF.	MARCA MAKE	PAG.	RIF. ORIG. O.E. NUMBER	RIF. OCAP OCAP REF.	MARCA MAKE	PAG.	
GJ6A-34-J50D	0392759	MAZDA	721	GSJ287	0382535	ROVER GROUP	1282-1283, 1288-1289	
GJ6E-32-240	0604592	MAZDA	721	GSJ288	0282534	HONDA	519	
GJ6E-32-280A	0284430	MAZDA	721	GSJ288	0282534	ROVER GROUP	1282-1283, 1288-1289	
GJ6E-32-290A	0294430	MAZDA	721	GSJ292	0402537	ROVER GROUP	1294	
GRG1152	0901806	ROVER GROUP	1290	GSJ295	0402538	HONDA	528-529	
GRG1153	0902535	ROVER GROUP	1282-1283, 1289	GSJ295	0402538	ROVER GROUP	1294	
GRG1157 *	1211371	ROVER GROUP	1293	GSJ404	0403350	HONDA	504-506	
GRG1157	0901810	ROVER GROUP	1293	GSJ404	0403350	ROVER GROUP	1292	
GRG150 *	1211274	ROVER GROUP	1292	GSJ407	0291556	HONDA	504-505	
GRG150	0901556	ROVER GROUP	1292	GSJ407	0291556	ROVER GROUP	1292	
GS1D-28-170	0508096	MAZDA	722	GSJ408	0281556	HONDA	504-505	
GS1D-32-240	0608095	MAZDA	722	GSJ408	0281556	ROVER GROUP	1292	
GS1D-32-280	0288095	MAZDA	722	GSJ413	0392535	ROVER GROUP	1282-1283, 1288-1289	
GS1D-32-290	0298095	MAZDA	722	GSJ414	0382535	ROVER GROUP	1282-1283, 1288-1289	
GS1D-34-150	0588095	MAZDA	722	GSJ415	0792531	ROVER GROUP	1285	
GS1D-34-170	0598095	MAZDA	722	GSJ416	0782531	ROVER GROUP	1285	
GS1D-34-200A	0788096	MAZDA	722	GSJ417	0792532	ROVER GROUP	1285	
GS1D-34-250A	0798096	MAZDA	722	GSJ418	0782532	ROVER GROUP	1285	
GS1D-34-300G	0388095	MAZDA	722	GSJ423	0793342	HONDA	504	
GS1D-34-300H	0388095	MAZDA	722	GSJ423	0793342	ROVER GROUP	1292	
GS1D-34-300J	0388095	MAZDA	722	GSJ424	0783342	HONDA	504	
GS1D-34-300L	0388095	MAZDA	722	GSJ424	0783342	ROVER GROUP	1292	
GS1D-34-350G	0398095	MAZDA	722	GSJ495	0290283	HONDA	512-514, 520	
GS1D-34-350H	0398095	MAZDA	722	GSJ495	0290283	ROVER GROUP	1290	
GS1D-34-350J	0398095	MAZDA	722	GSJ496	0280283	HONDA	512-514, 520	
GS1D-34-350L	0398095	MAZDA	722	GSJ496	0280283	ROVER GROUP	1290	
GSJ100	0280702	INNOCENTI	577	GSJ499	0401679	HONDA	503, 512-514, 520, 532-534	
GSJ100	0280702	ROVER GROUP	1274, 1280	1278,	GSJ499	0401679	ROVER GROUP	1291
GSJ1000	0381811	ROVER GROUP	1293	GSJ729	0402531	ROVER GROUP	1285	
GSJ1001	0391811	ROVER GROUP	1293	GSJ730	0482532	ROVER GROUP	1285	
GSJ1011	0282534	HONDA	519	GSJ731	0492532	ROVER GROUP	1285	
GSJ1011	0282534	ROVER GROUP	1282-1283, 1288-1289	GSJ732	0282529	ROVER GROUP	1284	
GSJ147	0282396	JAGUAR	600	GSJ733	0282528	ROVER GROUP	1284	
GSJ148	0282396	JAGUAR	600	GSJ823	0401809	ROVER GROUP	1291	
GSJ152	0180820	LAND ROVER	686	GSJ826	0282534	HONDA	519	
GSJ153	0190820	LAND ROVER	686	GSJ826	0282534	ROVER GROUP	1282-1283, 1288-1289	
GSJ161	0180115	ROVER GROUP	1275	GSJ877	0291810	ROVER GROUP	1293	
GSJ162	0190115	ROVER GROUP	1275	GSJ878	0281810	ROVER GROUP	1293	
GSJ167	0900706	ROVER GROUP	1274	GSV1079 *	1211271	ROVER GROUP	1288, 1294	
GSJ182	0182050	ROVER GROUP	1281	GSV1079	0902534	ROVER GROUP	1288, 1294	
GSJ183	0192050	ROVER GROUP	1281	GSV1140 *	1211272	ROVER GROUP	1288	
GSJ187	0284612	ROVER GROUP	1287	GSV1140	0902533	ROVER GROUP	1288	
GSJ190	0280702	INNOCENTI	577	GSV1141	0903070	ROVER GROUP	1282, 1288	
GSJ194	0281635	ROVER GROUP	1277	GSV1161 *	0902529	ROVER GROUP	1284	
GSJ206	0280818	ROVER GROUP	1286	GSV1161	1211268	ROVER GROUP	1284	
GSJ226	0284612	ROVER GROUP	1287	GSV1170	0603070	ROVER GROUP	1282-1283, 1288	
GSJ227	0783333	HONDA	511, 525, 536	GSV1212	0404169	ROVER GROUP	1278	
GSJ227	0783333	ROVER GROUP	1287	GSV1217	0403896	ROVER GROUP	1279	
GSJ228	0793333	HONDA	511, 525, 536	GX2010201A	0400615	CITROEN	287	
GSJ228	0793333	ROVER GROUP	1287	GX2411301A *	0901677	CITROEN	287	
GSJ268	0400254	ROVER GROUP	1278	GX2411301A	1211173	CITROEN	287	
GSJ269	0400255	ROVER GROUP	1278, 1285	H001-32-240	0603421	MAZDA	729	
GSJ274	0284612	ROVER GROUP	1287	H001-99-324	0280347	MAZDA	724-725, 729	
GSJ278	0402538	HONDA	528-529	H002-32-240	0603422	MAZDA	729	
GSJ278	0402538	ROVER GROUP	1294	H260-32-240A	0690423	MAZDA	729	
GSJ279	0283352	HONDA	528	H261-32-240A	0680423	MAZDA	729	
GSJ279	0283352	ROVER GROUP	1294	H2Y0-99-356	0403424	MAZDA	729	
GSJ280	0293352	HONDA	528	HB16244900	0600408	AUTOBIANCHI	125	
GSJ280	0293352	ROVER GROUP	1294	HB16244900	0600408	FIAT	375, 402, 404-	
GSJ280	0293352	ROVER GROUP	1294					
GSJ281	0284612	ROVER GROUP	1287					
GSJ286	0392535	ROVER GROUP	1282-1283, 1288-1289					

RIF. ORIG. O.E. NUMBER	RIF. OCAP OCAP REF.	MARCA MAKE	PAG.	RIF. ORIG. O.E. NUMBER	RIF. OCAP OCAP REF.	MARCA MAKE	PAG.
			405, 407	K9A3-28-170A	0501582	KIA	622
HB16244900	0600408	INNOCENTI	577	K9A3-28-170A	0501582	MAZDA	729
HB16244900	0600408	SEAT	1323, 1357	KB092-32-280	0283379	KIA	631
			1746	KBJR45	0604212	CHEVROLET - DAEWOO 227	
HB16244900	0600408	ZASTAVA	1746	KDX50-32-240A	0601585	KIA	632
HB212003	0793298	HYUNDAI	545	KDX50-32-240B	0601585	KIA	632
HB212004	0783298	HYUNDAI	545	KDX50-32-240C	0601585	KIA	632
HB212100	0403465	HYUNDAI	545	KDX50-34-300	0303865	KIA	631
HB212200	0403465	HYUNDAI	545	KK150-32-240	0602928	KIA	631
HB568100	0503460	HYUNDAI	545	KK150-32-240	0602928	MAZDA	708
HB568110	0183460	HYUNDAI	545, 573	KKY01-32-280	0283379	KIA	631
HB568110	0183460	MITSUBISHI	894-895, 900, 905	KKY0-IE34310	0303865	KIA	631
			545, 573	KKY0-IE34310	0303865	MAZDA	708
HB568120	0193459	HYUNDAI	545, 573	KKY0-IE34320	0303865	KIA	631
HMB-303401	0783496	MITSUBISHI	900	KKY0-IE34320	0303865	MAZDA	708
HMB-303402	0793496	MITSUBISHI	900	KT6C113K209AA	0403867	FORD	496, 499
JHM2167	0190440	ROVER GROUP	1275-1276	KX43-34-300	0780340	KIA	614, 623
JHM2168	0180440	ROVER GROUP	1275-1276	KX43-34-350	0790340	KIA	614, 623
JLM1097	0602746	JAGUAR	601	LA01-32-115	0601592	MAZDA	736
JLM1098	0282397	JAGUAR	600-601	LC62-32-240B	0601594	MAZDA	736
JLM11860	0402399	JAGUAR	600-601	LC62-32-280	0404428	MAZDA	712, 736
JLM21535	1216200	JAGUAR	592	LC62-34-170	0501595	MAZDA	720, 736, 743
JLM9660	0282397	JAGUAR	600-601	LC62-34-170A	0501595	MAZDA	720, 736, 743
K04766423AA	0395756	FIAT	366	LC62-34-170B	0501595	MAZDA	720, 736, 743
K04766423AB	0395756	FIAT	366	LC62-34-300C	0783121	MAZDA	736
K04766423AC	0395756	FIAT	366	LC62-34-350C	0793121	MAZDA	736
K04766423AD *	1216242	FIAT	366	LC62-34-550	0402640	MAZDA	720, 743
K04766423AD	0395756	FIAT	366	LC70-34-170	0501594	MAZDA	736
K04766423AE	0395756	FIAT	366	LHM3003 *	0904612	ROVER GROUP	1287
K04766424AA	0385756	FIAT	366	LHM3003	1211270	ROVER GROUP	1287
K04766424AB	0385756	FIAT	366	LMB-002307	0700495	MITSUBISHI	890
K04766424AC	0385756	FIAT	366	LMB-002583	0783494	MITSUBISHI	890
K04766424AD *	1216242	FIAT	366	LMB-002584	0793494	MITSUBISHI	890
K04766424AD	0385756	FIAT	366	LR002609	0282490	LAND ROVER	685
K04766424AE	0385756	FIAT	366	LR002610	0292490	LAND ROVER	685
K04766962AA	0505756	FIAT	366	LR002624	0782730	LAND ROVER	685
K05090033AA	0405756	FIAT	366	LR002625	0792730	LAND ROVER	685
K05090033AB	0405756	FIAT	366	LR002626	0502731	LAND ROVER	685
K05168160AB	1216241	FIAT	366	LR002682	0902491	LAND ROVER	685
K05183761AD	0282720	CHRYSLER	238	LR002876	0503852	LAND ROVER	685, 692
K05183761AD	0282720	FIAT	366	LR007205 *	0402730	LAND ROVER	685
K05183761AD	0282720	JEEP	606	LR007205	0782730	LAND ROVER	685
K05290539AB	0405592	CHRYSLER	240	LR007206 *	0402730	LAND ROVER	685
K52088461	0182645	JEEP	608	LR007206	0792730	LAND ROVER	685
K52088511	0192645	JEEP	608	LR010672	0282555	LAND ROVER	680
K68040223AA *	0605756	FIAT	366	LR014136	0782556	LAND ROVER	680
K68040223AA	0605756-K	FIAT	366	LR014138	0792556	LAND ROVER	680
K68040223AA**	0905756	FIAT	366	LR017011	1216083	LAND ROVER	693
K68040223AB *	0605756	FIAT	366	LR019117	0502557	LAND ROVER	694
K68040223AB	0605756-K	FIAT	366	LR024472 *	1216267	LAND ROVER	692
K68040223AB**	0905756	FIAT	366	LR024472	0385775	LAND ROVER	692
K68040223AD *	0605756	FIAT	366	LR024473 *	1216267	LAND ROVER	692
K68040223AD	0605756-K	FIAT	366	LR024473	0395775	LAND ROVER	692
K68040223AD**	0905756	FIAT	366	LR024474	0505775	LAND ROVER	682, 692
K68040223AE *	0605756	FIAT	366	LR025610	0782556	LAND ROVER	680
K68040223AE	0605756-K	FIAT	366	LR025613	0792556	LAND ROVER	680
K68040223AE**	0905756	FIAT	366	LR026267	0285775	LAND ROVER	682, 692
K68052655AA	0505757	FIAT	366	LR026271	0605775	LAND ROVER	682, 692
K68141058AA	0282720	CHRYSLER	238	LR027570	0295775	LAND ROVER	682, 692
K68141058AA	0282720	FIAT	366	LR028245	0782556	LAND ROVER	680
K68141058AA	0282720	JEEP	606	LR028249	0792556	LAND ROVER	680
K68159271AA	0405592	CHRYSLER	240	LR033242	0588869	LAND ROVER	691
K8421	0380649	FORD	484	LR033243	0598869	LAND ROVER	691
K8423	0390649	FORD	484	LR033529	0608867	LAND ROVER	690, 695
K9992-11-201	0281584	KIA	627, 632	LR033534	0288867	LAND ROVER	690, 695

RIF. ORIG. O.E. NUMBER	RIF. OCAP OCAP REF.	MARCA MAKE	PAG.	RIF. ORIG. O.E. NUMBER	RIF. OCAP OCAP REF.	MARCA MAKE	PAG.
LR034211 *	1216380	LAND ROVER	690	MB-076003	0183458	MITSUBISHI	878, 880, 885, 891-892, 921
LR034211	0388867	LAND ROVER	690	MB-076004	0293469	MITSUBISHI	878, 885
LR034214	0398867	LAND ROVER	690	MB-076009	0303461	MITSUBISHI	879-880, 891
LR034217	0388868	LAND ROVER	690	MB-076010	0303474	MITSUBISHI	879
LR034218	0398868	LAND ROVER	690	MB-076531	0283361	HYUNDAI	562-563
LR034219	0388869	LAND ROVER	690, 695	MB-076531	0283361	MITSUBISHI	886, 897
LR034220	0398869	LAND ROVER	690, 695	MB-076663	0183458	MITSUBISHI	878, 880, 885, 891-892, 921
LR035489	0508868	LAND ROVER	691, 696	MB-076664	0293469	MITSUBISHI	878, 885
LR037690 *	1216385	LAND ROVER	691, 696	MB-109168	0493438	MITSUBISHI	886
LR037690	0308871	LAND ROVER	691, 696	MB-109169	0483438	MITSUBISHI	886
LR037700	0798870	LAND ROVER	691, 696	MB-109343	0703498	MITSUBISHI	898
LR037702	0788870	LAND ROVER	691, 696	MB-109512	0794116	MITSUBISHI	892
LR042975	0588872	LAND ROVER	696	MB-109513	0784116	MITSUBISHI	892
LR042976	0598872	LAND ROVER	696	MB-109585	0403463	MITSUBISHI	891
LR044841 *	1216386	LAND ROVER	695	MB-109587	0403455	MITSUBISHI	891-892, 898
LR044841	0388872	LAND ROVER	695	MB-109588	0403455	MITSUBISHI	891-892, 898
LR044844	0398872	LAND ROVER	695	MB109630A	0793297	HYUNDAI	545
LR045242	0388873	LAND ROVER	695	MB109631A	0783297	HYUNDAI	545
LR045243 *	1216387	LAND ROVER	695	MB-109858	0293470	MITSUBISHI	880, 885, 921
LR045243	0398873	LAND ROVER	695	MB-109893	0703497	MITSUBISHI	898
LR045802 *	1216266	LAND ROVER	692	MB-112476	0403463	MITSUBISHI	891
LR045802	0395775	LAND ROVER	692	MB-112477	0403463	MITSUBISHI	891
LR045803 *	1216266	LAND ROVER	692	MB-122011	0290328	MITSUBISHI	891-892
LR045803	0385775	LAND ROVER	692	MB-122012	0290328	MITSUBISHI	891-892
LR048090 *	1216384	LAND ROVER	691, 696	MB-122135	0603436	MITSUBISHI	886
LR048090	0788870	LAND ROVER	691, 696	MB-122396	0303486	MITSUBISHI	885
LR048091	0798870	LAND ROVER	691, 696	MB-122400	0303487	MITSUBISHI	885
LR048092	0588869	LAND ROVER	691	MB-122779	0183458	MITSUBISHI	878, 880, 885, 891-892, 921
LR048093	0598869	LAND ROVER	691	MB-122782	0190359	MITSUBISHI	878, 880, 884- 885, 891-892, 921
LR072469	0398869	LAND ROVER	690, 695	MB-162810	0192945	MITSUBISHI	868
LR072471 *	1216383	LAND ROVER	690, 695	MB-162811	0182945	MITSUBISHI	868
LR072471	0388869	LAND ROVER	690, 695	MB-166281	0300589	MITSUBISHI	891-893
LR075479	0398873	LAND ROVER	695	MB-166422	0503448	MITSUBISHI	897
LR078476 *	1216381	LAND ROVER	690, 695	MB-166423	0303451	MITSUBISHI	897
LR078476	0388868	LAND ROVER	690	MB-166424	0303450	MITSUBISHI	897
LR078477	0388873	LAND ROVER	695	MB-166426	0283361	HYUNDAI	562-563
LR078478 *	1216382	LAND ROVER	690	MB-166426	0283361	MITSUBISHI	886, 897
LR078478	0398868	LAND ROVER	690	MB-166566	0303461	MITSUBISHI	879-880, 891
LR078478	0398868	LAND ROVER	690	MB-166980	0183458	MITSUBISHI	878, 880, 885, 891-892, 921
LR078656	0385775	LAND ROVER	692	MB-166982	0190359	MITSUBISHI	878, 880, 884- 885, 891-892, 921
LR078657	0395775	LAND ROVER	692	MB-175544	0403455	MITSUBISHI	891-892, 898
LR16869	0602491	FORD	453, 470	MB-175812	0403455	MITSUBISHI	891-892, 898
LR16869	0602491	LAND ROVER	685	MB-176273	0403455	MITSUBISHI	891-892, 898
LR16869	0602491	VOLVO	1726, 1732	MB-176283	0403455	MITSUBISHI	891-892, 898
LRO18345	1216046	LAND ROVER	689	MB-176308	0403465	HYUNDAI	545
MA-150801	0403476	MITSUBISHI	879	MB-176308	0403465	MITSUBISHI	894, 900, 905
MA-159982	0183468	MITSUBISHI	878, 884	MB-176309	0400555	HYUNDAI	545
MA-159984	0190359	MITSUBISHI	878, 880, 884- 885, 891-892, 921	MB-176309	0400555	MITSUBISHI	891, 894, 898, 900, 905
MA-169613	0183468	MITSUBISHI	878, 884	MB-185329	0403478	MITSUBISHI	880, 885, 921
MB-001695	0403476	MITSUBISHI	879	MB-185441	0283361	HYUNDAI	562-563
MB-001696	0403477	MITSUBISHI	879, 884-885	MB-185441	0283361	MITSUBISHI	886, 897
MB-001699	0403477	MITSUBISHI	879, 884-885	MB-192297	0303475	MITSUBISHI	879-880
MB-001715	0403477	MITSUBISHI	879, 884-885	MB-192430	0283433	HYUNDAI	566
MB-002475	0403454	MITSUBISHI	898	MB-192430	0283433	MITSUBISHI	881-883, 897, 912-915, 918- 920
MB-002475	0403463	MITSUBISHI	891	MB-192499	0283433	HYUNDAI	566
MB-002476	0403463	MITSUBISHI	891				
MB-006314	0283361	HYUNDAI	562-563				
MB-006314	0283361	MITSUBISHI	886, 897				
MB-006315	0283446	MITSUBISHI	897				
MB-006358	0283361	HYUNDAI	562-563				
MB-006358	0283361	MITSUBISHI	886, 897				
MB-006571	0303484	MITSUBISHI	884				
MB-076001	0593473	MITSUBISHI	878				
MB-076002	0583472	MITSUBISHI	878				

RIF. ORIG. O.E. NUMBER	RIF. OCAP OCAP REF.	MARCA MAKE	PAG.	RIF. ORIG. O.E. NUMBER	RIF. OCAP OCAP REF.	MARCA MAKE	PAG.
MB-192499	0283433	mitsubishi	881-883, 897, 912-915, 918- 920	MB-501721	0603481	MITSUBISHI	881, 918
MB-241165	0303474	MITSUBISHI	879	MB-518712-01	0400482	MITSUBISHI	873-876, 881, 913-914, 918
MB-241166	0300589	MITSUBISHI	891-893	MB-518780 *	0183623-K	MITSUBISHI	874
MB-241168	0304120	MITSUBISHI	894	MB-518780	0183623	MITSUBISHI	874
MB-241171	0193459	HYUNDAI	545, 573	MB-518781 *	0183623-K	MITSUBISHI	874
MB-241171	0193459	MITSUBISHI	893-894, 900, 905	MB-518781	0183623	MITSUBISHI	874
MB-241172	0283361	HYUNDAI	562-563	MB-518806	0793501	MITSUBISHI	874
MB-241172	0283361	MITSUBISHI	886, 897	MB-518807	0783501	MITSUBISHI	874
MB-241206	0183460	HYUNDAI	545, 573	MB-518892	0501767	HYUNDAI	563
MB-241206	0183460	MITSUBISHI	894-895, 900, 905	MB-518892	0501767	MITSUBISHI	873-874, 881- 882, 912-913
MB-241421	0303462	MITSUBISHI	891	MB527157-01	0404118	MITSUBISHI	893
MB-241423	0304121	MITSUBISHI	894	MB-527159	0794115	MITSUBISHI	892
MB-241495	0303475	MITSUBISHI	879-880	MB-527169	0283440	HYUNDAI	559
MB-241497	0303484	MITSUBISHI	884	MB-527169	0283440	MITSUBISHI	869, 871, 873- 876, 887, 916
MB-241498	0303484	MITSUBISHI	884	MB-527169	0283440	VOLVO	1718
MB-241818	0403455	MITSUBISHI	891-892, 898	MB-527349	0402940	HYUNDAI	547, 549
MB-241830	0303489	MITSUBISHI	905	MB-527349	0402940	MITSUBISHI	899-900
MB-241883	0400482	MITSUBISHI	873-876, 881, 913-914, 918	MB-527349	0402940	MITSUBISHI	899-900
MB-241973	0303488	MITSUBISHI	905	MB-527350	0402940	HYUNDAI	547, 549
MB-241974	0504596	MITSUBISHI	875, 887	MB-527350	0402940	MITSUBISHI	899-900
MB-241982	0283437	MITSUBISHI	873	MB-527351	0402941	MITSUBISHI	900
MB-243329	0603481	MITSUBISHI	881, 918	MB-527352	0402941	MITSUBISHI	900
MB-243373	0603441	MITSUBISHI	886	MB-527383	0793499	HYUNDAI	549
MB-266152	0603479	MITSUBISHI	881, 918	MB-527383	0793499	MITSUBISHI	899
MB-267876	0582568	MITSUBISHI	909	MB-527383-01	0403507	HYUNDAI	549
MB-267877	0592568	MITSUBISHI	909	MB-527383-01	0403507	MITSUBISHI	899
MB-288119	0283447	MITSUBISHI	897	MB-527384	0783499	HYUNDAI	549
MB-303374	0400482	MITSUBISHI	873-876, 881, 913-914, 918	MB-527384	0783499	MITSUBISHI	899
MB-303375	0400482	MITSUBISHI	873-876, 881, 913-914, 918	MB-527384-01	0403507	HYUNDAI	549
MB-315160	0603479	MITSUBISHI	881, 918	MB-527384-01	0403507	MITSUBISHI	899
MB-315586	0603441	MITSUBISHI	886	MB-52751101	0404118	MITSUBISHI	893
MB-315629	0283361	HYUNDAI	562-563	MB-527650	0284469	HYUNDAI	547, 549
MB-315629	0283361	MITSUBISHI	886, 897	MB-527650	0284469	MITSUBISHI	899-900
MB-315775	0193459	HYUNDAI	545, 573	MB-532281	0601760	MITSUBISHI	882-883
MB-315775	0193459	MITSUBISHI	893-894, 900, 905	MB-532281	0603481	MITSUBISHI	881, 918
MB-315776	0183460	HYUNDAI	545, 573	MB-532971	0602939	MITSUBISHI	899
MB-315776	0183460	MITSUBISHI	894-895, 900, 905	MB-553249	0603444	MITSUBISHI	874
MB-347666	0603443	MITSUBISHI	873	MB-573043	0501767	HYUNDAI	563
MB-349445	0783500	MITSUBISHI	873	MB-573043	0501767	MITSUBISHI	873-874, 881- 882, 912-913
MB-349446	0793500	MITSUBISHI	873	MB-573540 *	0183623-K	MITSUBISHI	874
MB-350577	0603480	MITSUBISHI	881, 899, 918	MB-573540	0183623	MITSUBISHI	874
MB-350718	0603442	MITSUBISHI	873	MB-597605	0283440	HYUNDAI	559
MB-378701	0183458	MITSUBISHI	878, 880, 885, 891-892, 921	MB-597605	0283440	MITSUBISHI	869, 871, 873- 876, 887, 916
MB-378702	0293469	MITSUBISHI	878, 885	MB-597605	0283440	VOLVO	1718
MB-378704	0190359	MITSUBISHI	878, 880, 884- 885, 891-892, 921	MB-598017	0793499	HYUNDAI	549
MB-430112	0793499	HYUNDAI	549	MB-598017	0793499	MITSUBISHI	899
MB-430112	0793499	MITSUBISHI	899	MB-598018	0783499	HYUNDAI	549
MB-430113	0783499	HYUNDAI	549	MB-598018	0783499	MITSUBISHI	899
MB-430113	0783499	MITSUBISHI	899	MB-598018-Y	0403507	HYUNDAI	549
MB-489434	0283433	HYUNDAI	566	MB-598018-Y	0403507	MITSUBISHI	899
MB-489434	0283433	MITSUBISHI	881-883, 897, 912-915, 918- 920	MB-598023	0283440	HYUNDAI	559
MB-501530	0603442	MITSUBISHI	873	MB-598023	0283440	MITSUBISHI	869, 871, 873- 876, 887, 916
				MB-598023	0283440	VOLVO	1718
				MB-598098	0505554	MITSUBISHI	907
				MB-598489	0303490	MITSUBISHI	905
				MB-633926	0504597	MITSUBISHI	907
				MB-672370	0591754	MITSUBISHI	914, 919-920
				MB-808076	0581754	MITSUBISHI	914, 919-920
				MB-809220	0793506	MITSUBISHI	870, 875-876
				MB-809221	0783506	MITSUBISHI	870, 875-876
				MB-809221	0783506	VOLVO	1719

RIF. ORIG. O.E. NUMBER	RIF. OCAP OCAP REF.	MARCA MAKE	PAG.	RIF. ORIG. O.E. NUMBER	RIF. OCAP OCAP REF.	MARCA MAKE	PAG.
MB-809222	0791958	MITSUBISHI	870, 872, 876, 917	MNC2105AA	0502397	JAGUAR	601
MB-809223	0781958	MITSUBISHI	870, 872, 876, 917	MR-124879	0793492	MITSUBISHI	906
MB-809354	0502803	MITSUBISHI	875	MR-124880	0783492	MITSUBISHI	906
MB-831035	0793492	MITSUBISHI	906	MR-130479	0791998	MITSUBISHI	872, 917
MB-831036	0783492	MITSUBISHI	906	MR-130480	0781998	MITSUBISHI	872, 917
MB-831037	0493493	MITSUBISHI	895, 907	MR-131680	0504470	MITSUBISHI	869, 871
MB-831038	0483493	MITSUBISHI	895, 907	MR-131732	0501577	HYUNDAI	566-567
MB-831039	0504597	MITSUBISHI	907	MR-131732	0501577	MITSUBISHI	883, 913
MB-831040	0303491	MITSUBISHI	906	MR-131857	0601752	MITSUBISHI	914, 919
MB-831042	0301988	MITSUBISHI	906	MR-132551	0592571	MITSUBISHI	907
MB-831043	0182942	MITSUBISHI	895, 906	MR-132552	0582571	MITSUBISHI	907
MB-831044	0192943	MITSUBISHI	906	MR-162579	0391761	MITSUBISHI	882-883
MB-831555	0391753	MITSUBISHI	914, 919	MR-162580	0381761	MITSUBISHI	882-883
MB-831556	0381753	MITSUBISHI	914, 919	MR-162581	0391762	MITSUBISHI	882-883
MB-844695	0283361	HYUNDAI	562-563	MR-162582	0381762	MITSUBISHI	882-883
MB-844695	0283361	MITSUBISHI	886, 897	MR-162803	0791763	MITSUBISHI	882-883
MB-860381	0793493	MITSUBISHI	907	MR-162804	0781763	MITSUBISHI	882-883
MB-860382	0783493	MITSUBISHI	907	MR-171307	0791965	MITSUBISHI	870, 872, 917
MB-860408 *	0404115	MITSUBISHI	892	MR-171308	0781965	MITSUBISHI	870, 872, 917
MB-860408	0784115	MITSUBISHI	892	MR-179479	0790482	MITSUBISHI	869, 916
MB-860829	0403492	MITSUBISHI	895, 906	MR-179479	0790482	VOLVO	1718
MB-860830	0403492	MITSUBISHI	895, 906	MR-179480	0780482	MITSUBISHI	869, 916
MB-864164	0284469	HYUNDAI	547, 549	MR-179480	0780482	VOLVO	1718
MB-864164	0284469	MITSUBISHI	899-900	MR-197284	0701960	MITSUBISHI	876
MB-892981	0501764	MITSUBISHI	882-883	MR-241023	0794118	MITSUBISHI	893
MB-892982	0501767	HYUNDAI	563	MR-241024 *	0404118	MITSUBISHI	893
MB-892982	0501767	MITSUBISHI	873-874, 881- 882, 912-913	MR-241024	0784118	MITSUBISHI	893
MB-907115	0793504	MITSUBISHI	875	MR-241025	0794119	MITSUBISHI	893
MB-907116	0783504	MITSUBISHI	875	MR-241026	0784119	MITSUBISHI	893
MB-910841	0783505	MITSUBISHI	875	MR-241027	0404119	MITSUBISHI	893
MB-910842	0793505	MITSUBISHI	875	MR-241031	0184117	MITSUBISHI	893
MB-910934	0603445	MITSUBISHI	874-875	MR-241032	0193459	HYUNDAI	545, 573
MB-912076	0283440	HYUNDAI	559	MR-241032	0193459	MITSUBISHI	893-894, 900, 905
MB-912076	0283440	MITSUBISHI	869, 871, 873- 876, 887, 916	MR-241341	0791959	MITSUBISHI	876
MB-912076	0283440	VOLVO	1718	MR-241342	0781959	MITSUBISHI	876
MB-912077	0793504	MITSUBISHI	875	MR-241349	0504596	MITSUBISHI	875, 887
MB-912078	0783504	MITSUBISHI	875	MR-241623	0402940	HYUNDAI	547, 549
MB-912505	0791763	MITSUBISHI	882-883	MR-241623	0402940	MITSUBISHI	899-900
MB-912506	0781763	MITSUBISHI	882-883	MR-244901	0600481	MITSUBISHI	869, 871
MB-912509	0391761	MITSUBISHI	882-883	MR-244901	0600481	VOLVO	1718
MB-912510	0381761	MITSUBISHI	882-883	MR-267876	0592571	MITSUBISHI	907
MB-912511	0391762	MITSUBISHI	882-883	MR-267877	0582571	MITSUBISHI	907
MB-912512	0381762	MITSUBISHI	882-883	MR-272116	0504470	MITSUBISHI	869, 871
MB-949343	0601760	MITSUBISHI	882-883	MR-272117	0504471	MITSUBISHI	870
MDX50-32-280	0281584	KIA	627, 632	MR-272118 *	0180466-K	MITSUBISHI	872, 917
MJA2105AF	0502396	JAGUAR	601	MR-272118 *	0180466-K	VOLVO	1719-1720
MJA2105AG	0502396	JAGUAR	601	MR-272118	0180466	MITSUBISHI	872, 917
MN-184194	0588077	CITROEN	266, 285	MR-272118	0180466	VOLVO	1719-1720
MN-184194	0588077	MITSUBISHI	867, 889, 902, 904	MR-296027	0794119	MITSUBISHI	893
MN-184194	0588077	PEUGEOT	1153, 1155	MR-296028	0784119	MITSUBISHI	893
MN-186217 **	1215749	MITSUBISHI	877	MR-296093	0793492	MITSUBISHI	906
MN-186217 **	1215749	SMART	1402	MR-296094	0783492	MITSUBISHI	906
MN-186217	0792311	MITSUBISHI	877	MR-296095	0793492	MITSUBISHI	906
MN-186217	0792311	SMART	1402	MR-296096	0783492	MITSUBISHI	906
MN-186218 *	0402311	MITSUBISHI	877	MR-296269	0493493	MITSUBISHI	895, 907
MN-186218 *	0402311	SMART	1402	MR-296270	0483493	MITSUBISHI	895, 907
MN-186218 **	1215748	MITSUBISHI	877	MR-296272	0304123	MITSUBISHI	895
MN-186218 **	1215748	SMART	1402	MR-296274	0183460	HYUNDAI	545, 573
MN-186218	0782311	MITSUBISHI	877	MR-296274	0183460	MITSUBISHI	894-895, 900, 905
MN-186218	0782311	SMART	1402	MR-296289	0391762	MITSUBISHI	882-883
MN-186218	0782311	SMART	1402	MR-296290	0381762	MITSUBISHI	882-883
MN-186218	0782311	SMART	1402	MR-296295	0391761	MITSUBISHI	882-883
MN-186218	0782311	SMART	1402	MR-296296	0381761	MITSUBISHI	882-883

RIF. ORIG. O.E. NUMBER	RIF. OCAP OCAP REF.	MARCA MAKE	PAG.	RIF. ORIG. O.E. NUMBER	RIF. OCAP OCAP REF.	MARCA MAKE	PAG.
MR-296320	0381762	MITSUBISHI	882-883	MR-954888	0504596	MITSUBISHI	875, 887
MR-297241 *	0401964	MITSUBISHI	871, 916	MR-961477	0502312	MITSUBISHI	877
MR-297241	0791751	MITSUBISHI	871, 916	MR-961477	0502312	SMART	1402
MR-297242 *	0401964	MITSUBISHI	871, 916	MR-977606	0282310	MITSUBISHI	877
MR-297242	0781751	MITSUBISHI	871, 916	MR-977606	0282310	SMART	1402
MR-297969	0602993	MITSUBISHI	876	MR-992191	0594142	MITSUBISHI	911
MR-316051	0391756	MITSUBISHI	915	MR-992192	0584142	MITSUBISHI	911
MR-316052	0381756	MITSUBISHI	915	MR-992309	0594127	MITSUBISHI	896
MR-316053	0391758	MITSUBISHI	920	MR-992310	0584127	MITSUBISHI	896
MR-316054	0381758	MITSUBISHI	920	MT-142181	0283361	HYUNDAI	562-563
MR-316368	0502821	MITSUBISHI	901	MT-142181	0283361	MITSUBISHI	886, 897
MR-319147	0502820	MITSUBISHI	901	MT-402861	0303484	MITSUBISHI	884
MR-325576	0391761	MITSUBISHI	882-883	MW-033300	0192944	MITSUBISHI	868
MR-325577	0381761	MITSUBISHI	882-883	MW-033301	0182944	MITSUBISHI	868
MR-374521	0592568	MITSUBISHI	909	N0111849 *	0181011-K	SEAT	1314
MR-374522	0582568	MITSUBISHI	909	N0111849 *	0181011-K	VOLKSWAGEN	1628, 1661
MR-392730	0504596	MITSUBISHI	875, 887	N0111849 *	0181061-K	SEAT	1317
MR-403027	0601963	MITSUBISHI	871, 916	N0111849 *	0181061-K	VOLKSWAGEN	1628, 1661
MR-403100	0602819	MITSUBISHI	901	N0111849 *	0181099-K	SEAT	1328
MR-403419	0794130	MITSUBISHI	887	N0111849 *	0181099-K	VOLKSWAGEN	1598
MR-403420	0784130	MITSUBISHI	887	N0111849 *	0900040	VOLKSWAGEN	1598
MR-403485	0704132	MITSUBISHI	887	N0111849 *	0902415	SEAT	1328
MR-403771	0504133	MITSUBISHI	887	N0111849 *	0902419	VOLKSWAGEN	1598
MR-403872	0601760	MITSUBISHI	882-883	N0111849 *	0982423	SEAT	1314
MR-414939	0791766	MITSUBISHI	912	N0111849 *	0982423	VOLKSWAGEN	1662
MR-414940	0781766	MITSUBISHI	912	N0111849 *	0992423	SEAT	1314
MR-418052	0592569	MITSUBISHI	909, 911	N0111849 *	0992423	VOLKSWAGEN	1662
MR-418053	0582569	MITSUBISHI	909, 911	N0111859 *	0181012-K	VOLKSWAGEN	1638, 1640
MR-448255	0601765	MITSUBISHI	912	N0111868 *	0181236-K	SEAT	1328
MR-455089	0691755	MITSUBISHI	915	N0111868 *	0181236-K	VOLKSWAGEN	1595
MR-455090	0681755	MITSUBISHI	915	N011859 *	0182900-K	VOLKSWAGEN	1638
MR-455091	0691759	MITSUBISHI	920	N066-34-310	0782801	MAZDA	739
MR-455092	0681759	MITSUBISHI	920	N066-34-360	0792801	MAZDA	739
MR-476457	0283440	HYUNDAI	559	N068-34-200	0782800	MAZDA	739
MR-476457	0283440	MITSUBISHI	869, 871, 873-876, 887, 916	N068-34-250	0792800	MAZDA	739
MR-476457	0283440	VOLVO	1718	N10101603 *	0902885	VOLKSWAGEN	1577
MR-476595	0504133	MITSUBISHI	887	N10101603 *	0903041	VOLKSWAGEN	1630
MR-485672	0283440	HYUNDAI	559	N10101603 *	0903085	SKODA	1375
MR-485672	0283440	MITSUBISHI	869, 871, 873-876, 887, 916	N10101603 *	0903085	VOLKSWAGEN	1603
MR-485672	0283440	VOLVO	1718	N10101603	0903041	AUDI	40
MR-491358	0604129	MITSUBISHI	887	N10101603	0903041	VOLKSWAGEN	1577
MR-496792	0403088	MITSUBISHI	896, 908, 910	N10106402 *	0903137	AUDI	41, 98
MR-496793	0793088	MITSUBISHI	908, 910	N10106402 *	0903137	SEAT	1334, 1337, 1342
MR-496794	0783088	MITSUBISHI	908, 910	N10106402 *	0903137	SKODA	1363, 1365, 1375, 1384, 1387
MR-496795	0794598	MITSUBISHI	908	N10106402 *	0903137	VOLKSWAGEN	1577, 1589, 1604, 1631, 1668, 1670
MR-496796	0784598	MITSUBISHI	908	N10106402 *	0905577	AUDI	41, 98
MR-496799	0404141	MITSUBISHI	908, 910	N10106402 *	0905577	SEAT	1334, 1342
MR-508130	0404599	MITSUBISHI	909	N10106402 *	0905577	SKODA	1363, 1375, 1379, 1387
MR-508135	0292565	MITSUBISHI	908	N10106402 *	0905577	VOLKSWAGEN	1577, 1604, 1631, 1668
MR-508136	0282565	MITSUBISHI	908	N10127702 *	0900040	VOLKSWAGEN	1598
MR-508650	0282818	MITSUBISHI	901	N10127702 *	0902419	VOLKSWAGEN	1598
MR-510267	0602566	MITSUBISHI	908	N10127702 *	0982423	SEAT	1314
MR-548285	0282818	MITSUBISHI	901	N10127702 *	0982423	VOLKSWAGEN	1662
MR-594674	0601760	MITSUBISHI	882-883	N10127702 *	0992423	SEAT	1314
MR-911569	0781751	MITSUBISHI	871, 916	N10127702 *	0992423	VOLKSWAGEN	1662
MR-911570	0791751	MITSUBISHI	871, 916	N10261302 *	0903040	VOLKSWAGEN	1630
MR-915769	0790482	MITSUBISHI	869, 916	N10261302	0903040	AUDI	40
MR-915769	0790482	VOLVO	1718	N10261302	0903040	VOLKSWAGEN	1576
MR-915770	0780482	MITSUBISHI	869, 916	N90635001 *	0181897-K	SEAT	1330
MR-915770	0780482	VOLVO	1718				
MR-916133	0791751	MITSUBISHI	871, 916				
MR-916134	0781751	MITSUBISHI	871, 916				
MR-954887	0504596	MITSUBISHI	875, 887				

RIF. ORIG. O.E. NUMBER	RIF. OCAP OCAP REF.	MARCA MAKE	PAG.	RIF. ORIG. O.E. NUMBER	RIF. OCAP OCAP REF.	MARCA MAKE	PAG.
N90635001 *	0181897-K	VOLKSWAGEN	1664	QJB500070	0282557	LAND ROVER	693
N90635001 *	0181898-K	SEAT	1330	QJB500080	0282555	LAND ROVER	680
N90635001 *	0181898-K	VOLKSWAGEN	1664	RBJ000062	0305347	LAND ROVER	689
NA01-32-240	0604443	MAZDA	738	RBJ000120	0385348	LAND ROVER	689
NA01-34-170	0504442	MAZDA	738	RBJ000130	0395348	LAND ROVER	689
NA01-34-550	0404447	MAZDA	738-739	RBJ018343	0385348	LAND ROVER	689
NC10-32-240A	0682799	MAZDA	739	RBJ018344	0395348	LAND ROVER	689
NC10-32-250A	0692799	MAZDA	739	RBJ100690	0384228	HONDA	504
NC10-34-150	0582802	MAZDA	739	RBJ100690	0384228	ROVER GROUP	1292
NC10-34-170	0592802	MAZDA	739	RBJ100720	0394228	HONDA	504
NE51-32-240	0605585	MAZDA	741	RBJ100720	0394228	ROVER GROUP	1292
NE51-32-280A	0285585	MAZDA	741	RBJ102120 *	0401807	HONDA	513
NE51-34-300C	0385585	MAZDA	741	RBJ102120 *	0401807	ROVER GROUP	1290
NE51-34-300D	0385585	MAZDA	741	RBJ102120	0783344	HONDA	513
NE51-34-350C	0395585	MAZDA	741	RBJ102120	0783344	ROVER GROUP	1290
NE51-34-350D	0395585	MAZDA	741	RBJ102130 *	0401807	HONDA	513
NRC145	0903061	LAND ROVER	676	RBJ102130 *	0401807	ROVER GROUP	1290
NRC1823	0193063	LAND ROVER	676, 687	RBJ102130	0793344	HONDA	513
NRC1824	0903063	LAND ROVER	676	RBJ102220	0381808	HONDA	513
NRC3226	0503063	LAND ROVER	676	RBJ102220	0381808	ROVER GROUP	1291
NRC4700	0903062	LAND ROVER	676	RBJ102230	0391808	HONDA	513
NRC6007	0183061	LAND ROVER	675-676, 686-687	RBJ102230	0391808	ROVER GROUP	1291
NRC7661	0400825	LAND ROVER	675, 677, 686-687	RBJ102240	0381809	ROVER GROUP	1291
NRC9742	0903068	LAND ROVER	675	RBJ102250	0391809	ROVER GROUP	1291
NRC9743	0503068	LAND ROVER	675	RBJ102440	0781820	LAND ROVER	684
NTC1772	1215288	LAND ROVER	677	RBJ102450	0791820	LAND ROVER	684
NTC1888	0504180	LAND ROVER	675, 677, 686-687	RBJ102920 *	0401820	LAND ROVER	684
NTC8390	0903064	LAND ROVER	676	RBJ102920	0781820	LAND ROVER	684
NTC9607	0503064	LAND ROVER	676	RBJ102930 *	0401820	LAND ROVER	684
QEK000040	0293066	LAND ROVER	688	RBJ102930	0791820	LAND ROVER	684
QEK000050	0283066	LAND ROVER	688	RBJ500183	0782556	LAND ROVER	680
QEY100080	0901819	LAND ROVER	683	RBJ500193	0792556	LAND ROVER	680
QEY100080	1211351	LAND ROVER	683	RBJ500222	0782557	LAND ROVER	681
QEY100081	1211351	LAND ROVER	683	RBJ500232	0792557	LAND ROVER	681
QFK100083	0581815	LAND ROVER	683	RBJ500440	1216083	LAND ROVER	693
QFK100085 *	0281816	LAND ROVER	683	RBJ500446	0785691	LAND ROVER	693
QFK100085	0581815	LAND ROVER	683	RBJ500456	0795691	LAND ROVER	693
QFK100093	0591815	LAND ROVER	683	RBJ500710	0305347	LAND ROVER	689
QFK100095 *	0291816	LAND ROVER	683	RBJ500920	0305347	LAND ROVER	689
QFK100095	0591815	LAND ROVER	683	RBJ500920	1216045	LAND ROVER	689
QFK500010	0692555	LAND ROVER	680	RBJ501240	0782556	LAND ROVER	680
QFK500020	0682555	LAND ROVER	680	RBJ501250	0792556	LAND ROVER	680
QFK500030	0602558	LAND ROVER	693	RBJ501280	0785691	LAND ROVER	693
QFS000010	0193066	LAND ROVER	678, 688	RBJ501290	0795691	LAND ROVER	693
QFS000040	0281487	LAND ROVER	678	RBJ501340	0782556	LAND ROVER	680
QFS000060	0283067	LAND ROVER	688	RBJ501350	0792556	LAND ROVER	680
QFS100060	0193066	LAND ROVER	678, 688	RBJ501540	0782556	LAND ROVER	680
QFW000010	0901870	LAND ROVER	689	RBJ501550	0792556	LAND ROVER	680
QFW500010	0902555	LAND ROVER	680	RBJ501600	0785691	LAND ROVER	693
QFW500020	0902558	LAND ROVER	693	RBJ501610	0795691	LAND ROVER	693
QHG000040	0501489	LAND ROVER	678	RBK000012	0405348	LAND ROVER	689
QHG000050	0501488	LAND ROVER	678	RBK000040	0402558	LAND ROVER	694
QHG000060	0593066	LAND ROVER	688	RBK000041	0402558	LAND ROVER	694
QHG000070	0583066	LAND ROVER	688	RBK000042	0402558	LAND ROVER	694
QHG100000	0501489	LAND ROVER	678	RBK100350	0401679	HONDA	503, 512-514, 520, 532-534
QHG100010	0501488	LAND ROVER	678	RBK100350	0401679	ROVER GROUP	1291
QJB100220	0281815	LAND ROVER	683	RBK100380	0401809	ROVER GROUP	1291
QJB100230	0291815	LAND ROVER	683	RBK500012	0402558	LAND ROVER	694
QJB500010	0282554	LAND ROVER	680	RBK500014	0402558	LAND ROVER	694
QJB500040	0282558	LAND ROVER	693	RBK500030	0402557	LAND ROVER	681
QJB500050	0285347	LAND ROVER	689	RBK500040	0402556	LAND ROVER	680, 693
QJB500060	0605347	LAND ROVER	689	RBK500150	0405348	LAND ROVER	689
				RBK500161	0402554	LAND ROVER	681, 693
				RBK500170	0402554	LAND ROVER	681, 693

RIF. ORIG. O.E. NUMBER	RIF. OCAP OCAP REF.	MARCA MAKE	PAG.	RIF. ORIG. O.E. NUMBER	RIF. OCAP OCAP REF.	MARCA MAKE	PAG.
RBK500180	0402556	LAND ROVER	680, 693	RTC1809	0190820	LAND ROVER	686
RBK500210	0405348	LAND ROVER	689	RTC5869	0183061	LAND ROVER	675-676, 686-687
RBK500220	0402558	LAND ROVER	694				
RBK500240	0402556	LAND ROVER	680, 693	RTC5870	0193061	LAND ROVER	675, 686
RBK500280	0402556	LAND ROVER	680, 693	S083-32-115	0600338	KIA	614
RBM000011	0505347	LAND ROVER	689	S083-32-115	0600338	MAZDA	730
RBM100170	0501821	LAND ROVER	684	S08334510	0400340	KIA	614
RBM100171	0501821	LAND ROVER	684	S083-99-324	0280337	KIA	614
RBM100223	0501490	LAND ROVER	679	S083-99-324	0280337	MAZDA	730
RBM100240	0501812	ROVER GROUP	1293	S083-99-354	0400339	KIA	614
RBM500110	0502558	LAND ROVER	681	S083-99-354	0400339	MAZDA	730
RBM500140	0585691	LAND ROVER	694	S083-99-356	0400340	KIA	614
RBM500150	0595691	LAND ROVER	694	S08399356	0400340	KIA	614
RBM500180	0502558	LAND ROVER	681	S083-99-356	0400340	MAZDA	730
RBM500190	0502558	LAND ROVER	681	S083993569A	0400340	KIA	614
RBM500200	0505347	LAND ROVER	689	SE021156110A	0300011	SEAT	1325
RBX000070	1216045	LAND ROVER	689	SE021156110B	0300012	SEAT	1325
RBX000200	1216046	LAND ROVER	689	SE022162406A	0280297	FIAT	345, 385
RBX10025	1215328	ROVER GROUP	1285	SE022162406A	0280297	SEAT	1325
RBX10026	1215329	ROVER GROUP	1285	SE022162449A	0600409	FIAT	385, 410
RBX100580	1215531	HONDA	513	SE022162449A	0600409	MASERATI	706
RBX100580	1215531	ROVER GROUP	1291	SE022162449A	0600409	SEAT	1324, 1354
RBX100590	1215532	HONDA	513	SE022162449B	0600411	SEAT	1325
RBX100590	1215532	ROVER GROUP	1291	SE-127156110A	0300001	SEAT	1323
RBX100670	1215530	HONDA	513	SE127162410A	0280298	AUTOBIANCHI	125
RBX100670	1215530	ROVER GROUP	1291	SE127162410A	0280298	FIAT	402, 405
RBX100680	1215529	HONDA	513	SE127162410A	0280298	SEAT	1323
RBX100680	1215529	ROVER GROUP	1291	SE138156110A	0300003	FIAT	408
RBX100780	1215528	ROVER GROUP	1290	SE138156110A	0300003	SEAT	1324, 1354
RBX101160	1215535	LAND ROVER	684	SE138162131A *	0901159	SEAT	1323-1325, 1350, 1354
RBX101340	1215608	LAND ROVER	679				
RBX101760	1215533	ROVER GROUP	1293	SE138162131A	1211060	SEAT	1323-1325, 1350, 1354
RBX101770	1215534	ROVER GROUP	1293				
RBX101780	1215536	LAND ROVER	684	SE138162132A *	0901159	SEAT	1323-1325, 1350, 1354
RBX101790	1215535	LAND ROVER	684				
RBX500280	1214277	LAND ROVER	694	SE138162132A	1211059	SEAT	1323-1325, 1350, 1354
RBX500291	1215806	LAND ROVER	680				
RBX500301	1215807	LAND ROVER	681	SE-141156110A	0300053	SEAT	1351
RBX500311	1215805	LAND ROVER	680	SE-141162410A	0280299	FIAT	375
RBX500432	1216083	LAND ROVER	693	SE-141162410A	0280299	PIAGGIO	1156
RBX500531	1216084	LAND ROVER	693	SE-141162410A	0280299	SEAT	1350
RD3M3304A	0500646	FORD	421	SE-141162449A	0600410	AUTOBIANCHI	125, 127
RGD000131	0505349	LAND ROVER	689	SE-141162449A	0600410	FIAT	363, 375, 402, 405, 407
RGD000180	0505348	LAND ROVER	689	SE-141162449A	0600410	INNOCENTI	576
RGD000311	0502554	LAND ROVER	681, 694	SE-141162449A	0600410	PIAGGIO	1156
RGD000312	0502554	LAND ROVER	681, 694	SE-141162449A	0600410	SEAT	1323, 1350
RGD100561	0581813	ROVER GROUP	1293	SE-28140104A	0700575	SEAT	1351
RGD100571	0591813	ROVER GROUP	1293	SE46-34-200	0794576	KIA	614
RGD100682	0501491	LAND ROVER	679	SE46-34-250	0784576	KIA	614
RGD500083	0502557	LAND ROVER	694	STC1870	0283067	LAND ROVER	688
RGD500100	0505348	LAND ROVER	689	STC1872	0283066	LAND ROVER	688
RGD500140	0505691	LAND ROVER	694	STC1873	0293066	LAND ROVER	688
RGD500150	0505349	LAND ROVER	689	STC618	0903065	LAND ROVER	677
RGD500180	0505348	LAND ROVER	689	TIQ000010	0501487	LAND ROVER	678
RGD500190	0502557	LAND ROVER	694	TIQ000020	0503067	LAND ROVER	688
RGG102390	0783348	HONDA	504-505	TIQ000030	0285347	LAND ROVER	689
RGG102390	0783348	ROVER GROUP	1292	TIQ000040	0605347	LAND ROVER	689
RGG102430	0793348	HONDA	504-505	TR12844	0400106	LAMBORGHINI	651
RGG102430	0793348	ROVER GROUP	1292	UA01-32-320	0303432	MAZDA	744
RGG105211	0701814	ROVER GROUP	1293	UA01-99-322	0280342	MAZDA	744
RGX500070	1214278	LAND ROVER	694	UA01-99-322	0282932	MAZDA	731
RHF500031	0402555	LAND ROVER	694	UA01-99-323	0280342	MAZDA	744
RHF500100	0402555	LAND ROVER	694	UA01-99-323	0282932	MAZDA	731
RTC1799	0503061	LAND ROVER	676	UA01-99-324	0292933	FORD	474
RTC1808	0180820	LAND ROVER	686	UA01-99-324	0292933	MAZDA	731, 744

RIF. ORIG. O.E. NUMBER	RIF. OCAP OCAP REF.	MARCA MAKE	PAG.	RIF. ORIG. O.E. NUMBER	RIF. OCAP OCAP REF.	MARCA MAKE	PAG.
UA01-99-354	0400343	MAZDA	744	XR817609	0382747	JAGUAR	592
UA01-99-356	0400344	MAZDA	744	XR817610	0392747	JAGUAR	592
UA04-32-220	0300345	MAZDA	744	XR81763	0382746	JAGUAR	592
UA04-32-320	0300346	MAZDA	744	XR81764	0392746	JAGUAR	592
UA3N-32-320A	0305586	FORD	476	XR81770	0282745	JAGUAR	592
UA3N32320A	0305586	FORD	476	XR81771	0292745	JAGUAR	592
UA3N-32-320A	0305586	MAZDA	732	XR81786	0502399	JAGUAR	593
UA3N32320A	0305586	MAZDA	732	XR819697	1214289	JAGUAR	593-594, 598
UB39-99-322	0282932	MAZDA	731	XR822199	0502745	JAGUAR	594, 598, 602
UB39-99-324	0292933	FORD	474	XR822284	0382745	JAGUAR	594, 598
UB3999324	0292933	FORD	474	XR822285	0392745	JAGUAR	594, 598
UB39-99-324	0292933	MAZDA	731, 744	XR822851	0382747	JAGUAR	592
UB3999324	0292933	MAZDA	731, 744	XR822852	0392747	JAGUAR	592
UB39-99-354	0402936	FORD	474, 476	XR825750	0502399	JAGUAR	593
UB3999354	0402936	FORD	474, 476	XR827071	0502747	JAGUAR	593
UB39-99-354	0402936	MAZDA	731-732	XR842382	0382745	JAGUAR	594, 598
UB3999354	0402936	MAZDA	731-732	XR842383	0392745	JAGUAR	594, 598
UH71-32-280	0292933	FORD	474	XR846022	0382747	JAGUAR	592
UH7132280	0292933	FORD	474	XR846023	0392747	JAGUAR	592
UH71-32-280	0292933	MAZDA	731, 744	XR851824 *	0402747	JAGUAR	592
UH7132280	0292933	MAZDA	731, 744	XR851824	0382747	JAGUAR	592
UH71-34-152 *	0505586	MAZDA	732	XR851825 *	0402747	JAGUAR	592
UH71-34-540	0402936	FORD	474, 476	XR851825	0392747	JAGUAR	592
UH7134540	0402936	FORD	474, 476	XR852090	0382746	JAGUAR	592
UH71-34-540	0402936	MAZDA	731-732	XR852091	0392746	JAGUAR	592
UH7134540	0402936	MAZDA	731-732	XR855185	0502747	JAGUAR	593
UH743210A	0783828	FORD	474	XR856012 *	1216199	JAGUAR	592, 594, 598
UH74-32-250	0282934	FORD	474	XR856012	0382746	JAGUAR	592
UH7432250	0282934	FORD	474	XR856013 *	1216199	JAGUAR	592, 594, 598
UH74-32-250	0282934	MAZDA	731	XR856013	0392746	JAGUAR	592
UH7432250	0282934	MAZDA	731	XR857078	0382745	JAGUAR	594, 598
UH74-32-280	0292935	MAZDA	731	XR857079	0392745	JAGUAR	594, 598
UH7434260A	0793828	FORD	474	XR857652	0382745	JAGUAR	594, 598
UH74-34-550	0402937	MAZDA	731	XR857653	0392745	JAGUAR	594, 598
UH7434550	0403829	FORD	475	XR88757	0382747	JAGUAR	592
UH7534210	0783828	FORD	474	XR88758	0392747	JAGUAR	592
UH7534210A	0783828	FORD	474	XW4Z5C486AB	0589278	JAGUAR	593
UH7534210B	0783828	FORD	474	XW4Z5C487AB	0599278	JAGUAR	593
UH7534260	0793828	FORD	474	YC153069AG	1215677	FORD	495-496
UH7534260A	0793828	FORD	474	YC15-3A262-AF	1215678	FORD	495-496
UH7534260B	0793828	FORD	474	YL8Z-3280-EA	0603968	FORD	463-464, 466
UR56-32-250	0285586	FORD	476	YL8Z-3280-EA	0603968	MAZDA	746
UR5632250	0285586	FORD	476	YL8Z-3A130-GA	0288072	FORD	463
UR56-32-250	0285586	MAZDA	732	YL8Z-3A130-GA	0288072	MAZDA	746
UR5632250	0285586	MAZDA	732	YL8Z-5K-483-AA	0504439	MAZDA	719, 746
UR56-32-280	0295586	FORD	476	ZKC5739	0402398	JAGUAR	600-601
UR5632280	0295586	FORD	476				
UR56-32-280	0295586	MAZDA	732				
UR5632280	0295586	MAZDA	732				
UR61-32-280	0295587	FORD	476				
UR6132280	0295587	FORD	476				
UR61-32-280	0295587	MAZDA	732				
UR6132280	0295587	MAZDA	732				
UR61-34-550	0405586	FORD	476				
UR61-34-550	0405586	MAZDA	732				
XR813478	0502399	JAGUAR	593				
XR8-1692	0589278	JAGUAR	593, 595, 599, 602				
XR81692	0589278	JAGUAR	593, 595, 599, 602				
XR8-1693	0599278	JAGUAR	593, 595, 599, 602				
XR81693	0599278	JAGUAR	593, 595, 599, 602				
XR81694	0502747	JAGUAR	593				

RIF. OCAP OCAP REF.	RIF. ORIG. O.E. NUMBER	MARCA MAKE	PAG.	RIF. OCAP OCAP REF.	RIF. ORIG. O.E. NUMBER	MARCA MAKE	PAG.
0100028	4119133	FIAT	419				816, 827
0100028	4328913	FIAT	419	0180282	0003381910	PORSCHE	1158, 1164
0101101	381410	PEUGEOT	1137	0180282	0003384610	BMW	129
0101102	381335	PEUGEOT	1137	0180282	0003384610	MERCEDES	748-750, 814, 816, 827
0104151	2D0511329	VOLKSWAGEN	1625	0180282	0003384610	PORSCHE	1158, 1164
0104151	9013200089	MERCEDES	841	0180282	0003385210	BMW	129
0180001	4100998	FIAT	403, 414, 419	0180282	0003385210	MERCEDES	748-750, 814, 816, 827
0180001	4100998	ZASTAVA	1746	0180282	0003385210	PORSCHE	1158, 1164
0180002	4218233	FIAT	403	0180282	0003385510	BMW	129
0180027	2101-3003057	LADA	646, 649	0180282	0003385510	MERCEDES	748-750, 814, 816, 827
0180027	21013003057	LADA	646, 649	0180282	0003385510	PORSCHE	1158, 1164
0180027	4100024	FIAT	409, 411-413, 419	0180282	183419812	BMW	129
0180027	4100057	FIAT	409, 412-413, 419	0180282	183419812	MERCEDES	748-750, 814, 816, 827
0180027	4117875	FIAT	409, 412-413, 419	0180282	183419812	PORSCHE	1158, 1164
0180027	4193224	FIAT	411	0180282	32211114842	BMW	129
0180027	4343762	FIAT	411	0180282	32211114842	MERCEDES	748-750, 814, 816, 827
0180027	5995268	FIAT	411	0180282	32211114842	PORSCHE	1158, 1164
0180027	82275679	LANCIA	661	0180282	91134732204	BMW	129
0180043	0350263	OPEL	1016	0180282	91134732204	MERCEDES	748-750, 814, 816, 827
0180043	350263	OPEL	1016	0180282	91134732204	PORSCHE	1158, 1164
0180043-K	2064235 *	OPEL	1016	0180302	7317076	GENERAL MOTORS	500
0180043-K	350263 *	OPEL	1016	0180302	7329559	GENERAL MOTORS	500
0180043-K	50153 *	OPEL	1016	0180302	7333414	GENERAL MOTORS	500
0180043-K	924435 *	OPEL	1016	0180317	381733	CITROEN	296
0180052	21013003050	LADA	649	0180317	381733	PEUGEOT	1089
0180063	322152	OPEL	1053	0180425	9-43150-605-0	ISUZU	579
0180063	322176	OPEL	1053	0180425	9-43150-610-0	ISUZU	579
0180063	322176	VAUXHALL	1548	0180440	JHM2168	ROVER GROUP	1275-1276
0180063	324049	OPEL	1053	0180466	30884359	VOLVO	1719-1720
0180063	90510644	VAUXHALL	1548	0180466	MR-272118	MITSUBISHI	872, 917
0180064	322151	OPEL	1053, 1055	0180466	MR-272118	VOLVO	1719-1720
0180064	322151	VAUXHALL	1548, 1563	0180466-K	30862188 *	MITSUBISHI	872, 917
0180064	322171	OPEL	1053, 1055	0180466-K	30862188 *	VOLVO	1719-1720
0180064	322171	VAUXHALL	1548, 1563	0180466-K	30870317 *	MITSUBISHI	872, 917
0180064	322178	OPEL	1053, 1055	0180466-K	30870317 *	VOLVO	1719-1720
0180064	322178	VAUXHALL	1548, 1563	0180466-K	30871764 *	MITSUBISHI	872, 917
0180064	324046	OPEL	1053, 1055	0180466-K	30871764 *	VOLVO	1719-1720
0180064	324046	VAUXHALL	1548, 1563	0180466-K	30884359 *	MITSUBISHI	872, 917
0180064	324062	OPEL	1053, 1055	0180466-K	30884359 *	VOLVO	1719-1720
0180064	324062	VAUXHALL	1548, 1563	0180466-K	MR-272118 *	MITSUBISHI	872, 917
0180085	6148996	FORD	489	0180466-K	MR-272118 *	VOLVO	1719-1720
0180088	48520-A03G0	NISSAN	996	0180470	350261	OPEL	1016
0180115	GSJ161	ROVER GROUP	1275	0180470-K	350153 *	OPEL	1016
0180153	6000022703	RENAULT	1182	0180470-K	350178 *	OPEL	1016
0180153	6000030065	RENAULT	1182	0180470-K	350261 *	OPEL	1016
0180153	7701467274	RENAULT	1182	0180470-K	352376 *	OPEL	1016
0180163	48521-01W00	NISSAN	963	0180471	350260	OPEL	1016
0180196	2108-3414060	LADA	648	0180471-K	350153 *	OPEL	1016
0180266	32211113447	BMW	158, 184	0180471-K	350178 *	OPEL	1016
0180266	32211113448	BMW	158, 184	0180471-K	350260 *	OPEL	1016
0180266	32211114843	BMW	128, 158, 184	0180471-K	352376 *	OPEL	1016
0180273	32211127917	BMW	159, 161, 186, 196	0180503	4129667	FIAT	413
0180273	32211130004	BMW	159, 161, 186, 196	0180503	4129668	FIAT	413
0180273	32211135820	BMW	159, 161, 186, 196	0180504	4123955	FIAT	413
0180282	0003380710	BMW	129	0180522	510615	ALFA ROMEO	18
0180282	0003380710	MERCEDES	748-750, 814, 816, 827	0180522	510986	ALFA ROMEO	18
0180282	0003380710	PORSCHE	1158, 1164	0180522	60501539	ALFA ROMEO	18
0180282	0003381910	BMW	129	0180522	60535946	ALFA ROMEO	18
0180282	0003381910	MERCEDES	748-750, 814,	0180549	803419811A	AUDI	118
				0180558	381732	CITROEN	242, 244, 296

RIF. OCAP OCAP REF.	RIF. ORIG. O.E. NUMBER	MARCA MAKE	PAG.	RIF. OCAP OCAP REF.	RIF. ORIG. O.E. NUMBER	MARCA MAKE	PAG.
0180558	381732	PEUGEOT	1089	0180926	7701461141	RENAULT	1178, 1190-1191, 1229, 1233, 1238, 1248-1249, 1252, 1260
0180558	95609135	CITROEN	242, 244, 296	0180926	7701461151	RENAULT	1178, 1190-1191, 1229, 1233, 1238, 1248-1249, 1252, 1260
0180558	95609135	PEUGEOT	1089	0180926	7701464151	RENAULT	1178, 1190-1191, 1229, 1233, 1238, 1248-1249, 1252, 1260
0180558	96091568	CITROEN	242, 244, 296	0180926	7701469231	RENAULT	1178, 1190-1191, 1229, 1233, 1238, 1248-1249, 1252, 1260
0180558	96091568	PEUGEOT	1089	0180929	7700571173	RENAULT	1231
0180610	5445860 *	CITROEN	287	0180934	7701450589	RENAULT	1224, 1227, 1236, 1245
0180616	95496045	CITROEN	254	0180934	7701460955	RENAULT	1224, 1227, 1236, 1245
0180620	95585251 *	CITROEN	282	0180942	7700633739	RENAULT	1244
0180628	95606880 *	CITROEN	284	0180947	7701460770	RENAULT	1247, 1265
0180630	2L5462708A *	CITROEN	282	0180947	7701461770	RENAULT	1247, 1265
0180647	73666	FORD	421	0180950	381232 *	CITROEN	247, 249, 251, 307, 309, 311, 313
0180647	81EU3289B	FORD	421	0180950	381232 *	PEUGEOT	1080, 1083
0180647	BE1E3289B	FORD	421	0180950	381252 *	CITROEN	247, 249, 251, 307, 309, 311, 313
0180658	1481651	FORD	488	0180950	381252 *	PEUGEOT	1080, 1083
0180658	6148436	FORD	488	0180950	381265 *	CITROEN	247, 249, 251, 307, 309, 311, 313
0180659	1796515	FORD	488	0180950	381265 *	PEUGEOT	1080, 1083
0180675	6000030048	RENAULT	1240, 1242	0180950	381718	CITROEN	262, 277, 294, 299-300, 302
0180713	1233380110	MERCEDES	752	0180950	381718	PEUGEOT	1088, 1095, 1106-1108, 1114, 1116, 1119, 1125, 1137-1139
0180718	0003384210	MERCEDES	761	0180950	381718	TALBOT	1446, 1449
0180718	0003384410	MERCEDES	761	0180950	381750	CITROEN	262, 277, 294, 299-300, 302
0180718	0003386110	MERCEDES	761	0180950	381750	PEUGEOT	1088, 1095, 1106-1108, 1114, 1116, 1119, 1125, 1137-1139
0180727	6013300435	MERCEDES	798, 852-853	0180950	381750	TALBOT	1446, 1449
0180727	6013300635	MERCEDES	798, 852-853	0180950	9471000365	CITROEN	262, 277, 294, 299-300, 302
0180727	6013305335	MERCEDES	798, 852-853	0180950	9471000365	PEUGEOT	1088, 1095, 1106-1108, 1114, 1116, 1119, 1125, 1137-1139
0180729	0003302735	MERCEDES	851	0180950	9471000365	TALBOT	1446, 1449
0180729	0003307035	MERCEDES	851	0180950	9471000965	CITROEN	262, 277, 294, 299-300, 302
0180729	0013300735	MERCEDES	851	0180950	9471000965	PEUGEOT	1088, 1095, 1106-1108, 1114, 1116, 1119, 1125, 1137-1139
0180729	0013301035	MERCEDES	851	0180950	9471000965	TALBOT	1446, 1449
0180730	0004604148	MERCEDES	854	0180950	9471000965	CITROEN	262, 277, 294, 299-300, 302
0180730	0004608548	MERCEDES	854	0180950	9471000965	PEUGEOT	1088, 1095, 1106-1108, 1114, 1116, 1119, 1125, 1137-1139
0180730	3103301335	MERCEDES	854	0180950	9471000965	TALBOT	1446, 1449
0180737	2108-3414056	LADA	648	0180950	9471000965	CITROEN	262, 277, 294, 299-300, 302
0180737	21083414056	LADA	648	0180950	9471000965	PEUGEOT	1088, 1095, 1106-1108, 1114, 1116, 1119, 1125, 1137-1139
0180749	45406-19015	TOYOTA	1468, 1475	0180950	9471000965	TALBOT	1446, 1449
0180749	45406-19025	TOYOTA	1468, 1475	0180950	9471000965	CITROEN	262, 277, 294, 299-300, 302
0180749	45406-19045	TOYOTA	1468, 1475	0180950	9471000965	PEUGEOT	1088, 1095, 1106-1108, 1114, 1116, 1119, 1125, 1137-1139
0180749	45406-19048	TOYOTA	1468, 1475	0180950	9471000965	TALBOT	1446, 1449
0180775	324107	OPEL	1057-1058	0180950	9471000965	CITROEN	262, 277, 294, 299-300, 302
0180784	324045	OPEL	1060	0180950	9471000965	PEUGEOT	1088, 1095, 1106-1108, 1114, 1116, 1119, 1125, 1137-1139
0180784	324118	OPEL	1060	0180950	9471000965	TALBOT	1446, 1449
0180784	324118	VAUXHALL	1547	0180950	9471000965	CITROEN	262, 277, 294, 299-300, 302
0180784	90188428	OPEL	1060	0180950	9471000965	PEUGEOT	1088, 1095, 1106-1108, 1114, 1116, 1119, 1125, 1137-1139
0180788	381329	PEUGEOT	1094	0180950	9471000965	TALBOT	1446, 1449
0180789	381412	PEUGEOT	1094	0180950	9471000965	CITROEN	262, 277, 294, 299-300, 302
0180792	381422	PEUGEOT	1106	0180950	9471000965	PEUGEOT	1088, 1095, 1106-1108, 1114, 1116, 1119, 1125, 1137-1139
0180793	381411	PEUGEOT	1127	0180950	9471000965	TALBOT	1446, 1449
0180804	387431	PEUGEOT	1079	0180950	9471000965	CITROEN	262, 277, 294, 299-300, 302
0180820	GSJ152	LAND ROVER	686	0180950	9471000965	PEUGEOT	1088, 1095, 1106-1108, 1114, 1116, 1119, 1125, 1137-1139
0180820	RTC1808	LAND ROVER	686	0180950	9471000965	TALBOT	1446, 1449
0180847	0002508800	TALBOT	1450	0180950	9471000965	CITROEN	262, 277, 294, 299-300, 302
0180847	25088P	TALBOT	1450	0180950	9471000965	PEUGEOT	1088, 1095, 1106-1108, 1114, 1116, 1119, 1125, 1137-1139
0180882	113415812C	PORSCHE	1165, 1167	0180950	9471000965	TALBOT	1446, 1449
0180882	113415812C	VOLKSWAGEN	1699, 1710-1713, 1715	0180950	9471000965	CITROEN	262, 277, 294, 299-300, 302
0180882	311415812C	PORSCHE	1165, 1167	0180950	9471000965	PEUGEOT	1088, 1095, 1106-1108, 1114, 1116, 1119, 1125, 1137-1139
0180882	311415812C	VOLKSWAGEN	1699, 1710-1713, 1715	0180950	9471000965	TALBOT	1446, 1449
0180882	94434733301	PORSCHE	1165, 1167	0180950	9471000965	CITROEN	262, 277, 294, 299-300, 302
0180882	94434733301	VOLKSWAGEN	1699	0180950	9471000965	PEUGEOT	1088, 1095, 1106-1108, 1114, 1116, 1119, 1125, 1137-1139
0180884	211415712E	VOLKSWAGEN	1699	0180950	9471000965	TALBOT	1446, 1449
0180884	211415712F	VOLKSWAGEN	1699	0180950	9471000965	CITROEN	262, 277, 294, 299-300, 302
0180890	281415812	VOLKSWAGEN	1621	0180950	9471000965	PEUGEOT	1088, 1095, 1106-1108, 1114, 1116, 1119, 1125, 1137-1139
0180925	7700504987	RENAULT	1231, 1235, 1244	0180950	9471000965	TALBOT	1446, 1449
0180925	7700509247	RENAULT	1235	0180950	9471000965	CITROEN	262, 277, 294, 299-300, 302

RIF. OCAP OCAP REF.	RIF. ORIG. O.E. NUMBER	MARCA MAKE	PAG.	RIF. OCAP OCAP REF.	RIF. ORIG. O.E. NUMBER	MARCA MAKE	PAG.
			1137-1139	0181099-K	N0111849 *	VOLKSWAGEN	1598
0180950	9471000965	TALBOT	1446, 1449	0181117	0003384910	MERCEDES	761
0180950	95492625 *	CITROEN	247, 249, 251, 307, 309, 311, 313	0181117	0003386310	MERCEDES	761
0180950	95492625 *	PEUGEOT	1080, 1083	0181129	381722	PEUGEOT	1112, 1128, 1130
0180950	95493610 *	CITROEN	247, 249, 251, 307, 309, 311, 313	0181129	381727	PEUGEOT	1112, 1128, 1130
0180950	95493610 *	PEUGEOT	1080, 1083	0181129	381749	PEUGEOT	1112, 1128, 1130
0180950	95533180 *	CITROEN	247, 249, 251, 307, 309, 311, 313	0181142	60570627	ALFA ROMEO	2, 4, 6, 8, 27
0180950	95533180 *	PEUGEOT	1080, 1083	0181142	60570627	FIAT	341, 347, 396
0180950	95560858 *	CITROEN	247, 249, 251, 307, 309, 311, 313	0181142	60570627	LANCIA	653, 658-659
0180950	95560858 *	PEUGEOT	1080, 1083	0181142	60807583	ALFA ROMEO	2, 4, 6, 8, 27
0180950	95560858 *	CITROEN	247, 249, 251, 307, 309, 311, 313	0181142	60807583	FIAT	341, 347, 396
0180950	95560858 *	PEUGEOT	1080, 1083	0181142	60807583	LANCIA	653, 658-659
0180971	45046-60030	TOYOTA	1508	0181142	7601647	ALFA ROMEO	2, 4, 6, 8, 27
0180971	45046-60033	TOYOTA	1508	0181142	7601647	FIAT	341, 347, 396
0180971	45046-69025	TOYOTA	1508	0181142	7601647	LANCIA	653, 658-659
0180973	45046-60040	TOYOTA	1508	0181142-K	60570627 *	ALFA ROMEO	2, 4, 6, 8, 27
0180973	45046-60042	TOYOTA	1508	0181142-K	60570627 *	FIAT	341, 347, 396
0180973	45046-69035	TOYOTA	1508	0181142-K	60570627 *	LANCIA	653, 658-659
0181011	6N0411315	SEAT	1314	0181142-K	60800837 *	ALFA ROMEO	2, 4, 6, 8, 27
0181011	6N0411315	VOLKSWAGEN	1628, 1661	0181142-K	60800837 *	FIAT	341, 347, 396
0181011	6N0411315C	SEAT	1314	0181142-K	60800837 *	LANCIA	653, 658-659
0181011	6N0411315C	VOLKSWAGEN	1628, 1661	0181142-K	60806408 *	ALFA ROMEO	2, 4, 6, 8, 27
0181011-K	191411331 *	SEAT	1314	0181142-K	60806408 *	FIAT	341, 347, 396
0181011-K	191411331 *	VOLKSWAGEN	1628, 1661	0181142-K	60806408 *	LANCIA	653, 658-659
0181011-K	6N0411315 *	SEAT	1314	0181142-K	60806409 *	ALFA ROMEO	2, 4, 6, 8, 27
0181011-K	6N0411315 *	VOLKSWAGEN	1628, 1661	0181142-K	60806409 *	FIAT	341, 347, 396
0181011-K	6N0411329 *	SEAT	1314	0181142-K	60806409 *	LANCIA	653, 658-659
0181011-K	6N0411329 *	VOLKSWAGEN	1628, 1661	0181142-K	7601647 *	ALFA ROMEO	2, 4, 6, 8, 27
0181011-K	N0111849 *	SEAT	1314	0181142-K	7601647 *	FIAT	341, 347, 396
0181011-K	N0111849 *	VOLKSWAGEN	1628, 1661	0181142-K	7601647 *	LANCIA	653, 658-659
0181012	357411315A	VOLKSWAGEN	1638, 1640	0181221	48521-Q0125	NISSAN	923, 931-932
0181012	357411315D	VOLKSWAGEN	1638, 1640	0181221	48521-S0101	NISSAN	923, 931-932
0181012-K	191411331 *	VOLKSWAGEN	1638, 1640	0181221	48521-S0102	NISSAN	923, 931-932
0181012-K	357411315A *	VOLKSWAGEN	1638, 1640	0181221	48521-S0103	NISSAN	923, 931-932
0181012-K	357411315D *	VOLKSWAGEN	1638, 1640	0181221	48521-S0125	NISSAN	923, 931-932
0181012-K	6N0411329 *	VOLKSWAGEN	1638, 1640	0181221	48521-S0126	NISSAN	923, 931-932
0181012-K	N0111859 *	VOLKSWAGEN	1638, 1640	0181236	191411315	SEAT	1328
0181016	82490744	LANCIA	663	0181236	191411315	VOLKSWAGEN	1579, 1595
0181061	6N0411315A	SEAT	1317	0181236	191411315B	SEAT	1328
0181061	6N0411315A	VOLKSWAGEN	1628, 1661	0181236	191411315B	VOLKSWAGEN	1579, 1595
0181061	6N0411315D	SEAT	1317	0181236-K	191411315 *	SEAT	1328
0181061	6N0411315D	VOLKSWAGEN	1628, 1661	0181236-K	191411315 *	VOLKSWAGEN	1595
0181061	6U6411315	SKODA	1368	0181236-K	191411329 *	SEAT	1328
0181061-K	191411331 *	SEAT	1317	0181236-K	6N0411329 *	VOLKSWAGEN	1595
0181061-K	191411331 *	VOLKSWAGEN	1628, 1661	0181236-K	861411331 *	SEAT	1328
0181061-K	6N0411315A *	SEAT	1317	0181236-K	861411331 *	VOLKSWAGEN	1595
0181061-K	6N0411315A *	VOLKSWAGEN	1628, 1661	0181236-K	N0111868 *	SEAT	1328
0181061-K	6N0411329 *	SEAT	1317	0181236-K	N0111868 *	VOLKSWAGEN	1595
0181061-K	6N0411329 *	VOLKSWAGEN	1628, 1661	0181303	60570365	ALFA ROMEO	15
0181061-K	N0111849 *	SEAT	1317	0181303	60570365	FIAT	350
0181061-K	N0111849 *	VOLKSWAGEN	1628, 1661	0181303	60570365	LANCIA	668
0181099	191411315B	SEAT	1328	0181303	60808278	ALFA ROMEO	15
0181099	191411315B	VOLKSWAGEN	1598	0181303	60808278	FIAT	350
0181099-K	191411315B *	SEAT	1328	0181303	60808278	LANCIA	668
0181099-K	191411315B *	VOLKSWAGEN	1598	0181303	82457524	ALFA ROMEO	15
0181099-K	6N0411329 *	SEAT	1328	0181303	82457524	FIAT	350
0181099-K	6N0411329 *	VOLKSWAGEN	1598	0181303	82457524	LANCIA	668
0181099-K	861411331 *	SEAT	1328	0181304-K	15503721 *	ALFA ROMEO	15
0181099-K	861411331 *	VOLKSWAGEN	1598	0181304-K	15503721 *	FIAT	350
0181099-K	N0111849 *	SEAT	1328	0181304-K	15503721 *	LANCIA	668
0181099-K	N0111849 *	VOLKSWAGEN	1598	0181304-K	7601642 *	ALFA ROMEO	15
0181099-K	N0111849 *	SEAT	1328	0181304-K	7601642 *	FIAT	350

RIF. OCAP OCAP REF.	RIF. ORIG. O.E. NUMBER	MARCA MAKE	PAG.	RIF. OCAP OCAP REF.	RIF. ORIG. O.E. NUMBER	MARCA MAKE	PAG.
0181304-K	7601642 *	LANCIA	668	0181602	1300720080	PEUGEOT	1073
0181304-K	7601643 *	ALFA ROMEO	15	0181602	1300721080	CITROEN	289
0181304-K	7601643 *	FIAT	350	0181602	1300721080	FIAT	360
0181304-K	7601643 *	LANCIA	668	0181602	1300721080	PEUGEOT	1073
0181304-K	82457524 *	ALFA ROMEO	15	0181602	15503811	CITROEN	289
0181304-K	82457524 *	FIAT	350	0181602	15503811	FIAT	360
0181304-K	82457524 *	LANCIA	668	0181602	15503811	PEUGEOT	1073
0181316	82443635	FIAT	350	0181602	508737	CITROEN	289
0181316	82443635	LANCIA	668	0181602	508737	FIAT	360
0181316-K	16104111 *	FIAT	350	0181602	508737	PEUGEOT	1073
0181316-K	82376980 *	FIAT	350	0181602-K	1300716080 *	CITROEN	289
0181316-K	82398735 *	FIAT	350	0181602-K	1300716080 *	FIAT	360
0181316-K	82443635 *	FIAT	350	0181602-K	1300716080 *	PEUGEOT	1073
0181316-K	83398688 *	FIAT	350	0181602-K	1300720080 *	CITROEN	289
0181322	1308664080	FIAT	387-388, 398	0181602-K	1300720080 *	FIAT	360
0181322	1308664080	LANCIA	674	0181602-K	1300720080 *	PEUGEOT	1073
0181322	1317425080	FIAT	387-388, 398	0181602-K	1300721080 *	CITROEN	289
0181322	1317425080	LANCIA	674	0181602-K	1300721080 *	FIAT	360
0181322	508735	CITROEN	292	0181602-K	1300721080 *	PEUGEOT	1073
0181322	508735	PEUGEOT	1150	0181602-K	15503811 *	CITROEN	289
0181322-K	1308664080 *	CITROEN	292	0181602-K	15503811 *	FIAT	360
0181322-K	1308664080 *	FIAT	387-388, 398	0181602-K	15503811 *	PEUGEOT	1073
0181322-K	1308664080 *	LANCIA	674	0181602-K	508737 *	CITROEN	289
0181322-K	1308664080 *	PEUGEOT	1150	0181602-K	508737 *	FIAT	360
0181322-K	1311025080 *	CITROEN	292	0181602-K	508737 *	PEUGEOT	1073
0181322-K	1311025080 *	FIAT	387-388, 398	0181651	0013305235	MERCEDES	783, 828
0181322-K	1311025080 *	LANCIA	674	0181651	0013305435	MERCEDES	783, 828
0181322-K	1311025080 *	PEUGEOT	1150	0181676	381754	CITROEN	271
0181322-K	1313056080 *	CITROEN	292	0181676	381754	PEUGEOT	1130
0181322-K	1313056080 *	FIAT	387-388, 398	0181676	400123	CITROEN	271
0181322-K	1313056080 *	LANCIA	674	0181676	400123	PEUGEOT	1130
0181322-K	1313056080 *	PEUGEOT	1150	0181680	1206667	VOLVO	1736, 1738
0181322-K	15503811 *	CITROEN	292	0181680-K	1205991 *	VOLVO	1736, 1738
0181322-K	15503811 *	FIAT	387-388, 398	0181680-K	1206667 *	VOLVO	1736, 1738
0181322-K	15503811 *	LANCIA	674	0181680-K	1229303 *	VOLVO	1736, 1738
0181322-K	15503811 *	PEUGEOT	1150	0181687	0013304035	MERCEDES	782
0181322-K	508735 *	CITROEN	292	0181687	0013304135	MERCEDES	782
0181322-K	508735 *	FIAT	387-388, 398	0181695	0004607248	MERCEDES	798-799
0181322-K	508735 *	LANCIA	674	0181695	0013304835	MERCEDES	798-799
0181322-K	508735 *	PEUGEOT	1150	0181695	4603300435	MERCEDES	798-799
0181401	7701013272	RENAULT	1259	0181695	4603301235	MERCEDES	798-799
0181414	9157725	VOLVO	1744	0181695	6313380510	MERCEDES	798-799
0181414-K	1205991 *	VOLVO	1744	0181718	5021443	FORD	490
0181414-K	1229303 *	VOLVO	1744	0181718	6172638	FORD	490
0181414-K	9157725 *	VOLVO	1744	0181719	5021446	FORD	490
0181418	322179	OPEL	1055	0181719	6792900	FORD	490
0181418	322179	VAUXHALL	1563	0181724-K	6150970	FORD	494
0181418	324059	OPEL	1055	0181882	1054209	FORD	423, 465, 467
0181418	324059	VAUXHALL	1563	0181882-K	1035911	FORD	423, 465, 467
0181472	111803414058	LADA	645	0181882-K	1039511	FORD	423, 465, 467
0181472	1118-3414058	LADA	645	0181882-K	1054209 *	FORD	423, 465, 467
0181534	7014210	FORD	465	0181882-K	6701510 *	FORD	423, 465, 467
0181534-K	6701510 *	FORD	465	0181882-K	6915411 *	FORD	423, 465, 467
0181534-K	6915411 *	FORD	465	0181882-K	7230373	FORD	423, 465, 467
0181534-K	7014210 *	FORD	465	0181889	4B0419811B	AUDI	49, 52, 66, 78, 80
0181538	381738	CITROEN	303, 305	0181889	4B0419811B	SKODA	1388
0181538	381738	PEUGEOT	1146, 1148	0181889	4B0419811B	VOLKSWAGEN	1641, 1644
0181538	381744	CITROEN	303, 305	0181889	4B0419811E	AUDI	49, 52, 66, 78, 80
0181538	381744	PEUGEOT	1146, 1148	0181889	4B0419811E	SKODA	1388
0181549	381739	PEUGEOT	1132	0181889	4B0419811E	VOLKSWAGEN	1641, 1644
0181602	1300716080	CITROEN	289	0181889	4B0419811F	AUDI	49, 52, 66, 78, 80
0181602	1300716080	FIAT	360	0181889	4B0419811F	SKODA	1388
0181602	1300716080	PEUGEOT	1073				
0181602	1300720080	CITROEN	289				
0181602	1300720080	FIAT	360				

RIF. OCAP OCAP REF.	RIF. ORIG. O.E. NUMBER	MARCA MAKE	PAG.	RIF. OCAP OCAP REF.	RIF. ORIG. O.E. NUMBER	MARCA MAKE	PAG.
0181889	4B0419811F	VOLKSWAGEN	1641, 1644	0182261	0004606548	MERCEDES	855
0181889	4D0419811A	AUDI	49, 52, 66, 78, 80	0182261	6313300310	MERCEDES	855
0181889	4D0419811A	SKODA	1388	0182261	6313380310	MERCEDES	855
0181889	4D0419811A	VOLKSWAGEN	1641, 1644	0182301	4E0419811B	AUDI	82
0181889	4D0419811B	AUDI	49, 52, 66, 78, 80	0182301	4E0419811B	VOLKSWAGEN	1654
0181889	4D0419811B	SKODA	1388	0182301	4E0419811C	AUDI	82
0181889	4D0419811B	VOLKSWAGEN	1641, 1644	0182301	4E0419811C	VOLKSWAGEN	1654
0181889	4F0419811E	AUDI	49, 52, 66, 69, 78, 80	0182301	4E0419811D	AUDI	82
0181889	4F0419811E	SKODA	1388	0182301	4E0419811D	VOLKSWAGEN	1654
0181889	4F0419811E	VOLKSWAGEN	1641, 1644	0182301	4E0419811E	AUDI	82
0181889	8E0419811B	AUDI	49, 69, 78, 80	0182301	4E0419811E	VOLKSWAGEN	1654
0181889	8E0419811B	SKODA	1388	0182402	291415711	VOLKSWAGEN	1623
0181889	8E0419811B	VOLKSWAGEN	1641, 1644	0182405	291415811B	VOLKSWAGEN	1623
0181894	4B0419811G	AUDI	52, 55, 69, 72	0182479	45046-39335	TOYOTA	1456, 1511
0181894	4B0419811G	SEAT	1321	0182543	8958944	SAAB	1306
0181894	4B0419811J	AUDI	52, 55, 69, 72	0182543-K	8151474 *	SAAB	1306
0181894	4B0419811J	SEAT	1321	0182543-K	8953896 *	SAAB	1306
0181894	4F0419811C	AUDI	52, 55, 69, 72	0182543-K	8958944 *	SAAB	1306
0181894	4F0419811C	SEAT	1321	0182543-K	8960171 *	SAAB	1306
0181894	4F0419811D	AUDI	52, 55, 69, 72	0182604	677112	VOLVO	1735
0181894	4F0419811D	SEAT	1321	0182605	679291	VOLVO	1735
0181894	8E0419811	AUDI	52, 55, 69, 72	0182638	1350658080 *	CITROEN	291
0181894	8E0419811	SEAT	1321	0182638	1350658080 *	FIAT	362
0181897-K	191411315A *	SEAT	1330	0182638	1350658080 *	PEUGEOT	1075
0181897-K	191411315A *	VOLKSWAGEN	1664	0182638	1357572080 *	CITROEN	291
0181897-K	6N0411329 *	SEAT	1330	0182638	1357572080 *	FIAT	362
0181897-K	6N0411329 *	VOLKSWAGEN	1664	0182638	1357572080 *	PEUGEOT	1075
0181897-K	861411331 *	SEAT	1330	0182638	5081N9	CITROEN	291
0181897-K	861411331 *	VOLKSWAGEN	1664	0182638	5081N9	FIAT	362
0181897-K	N90635001 *	SEAT	1330	0182638	5081N9	PEUGEOT	1075
0181897-K	N90635001 *	VOLKSWAGEN	1664	0182645	52088461	JEEP	608
0181898	6K0411315	SEAT	1330	0182645	K52088461	JEEP	608
0181898	6K0411315	VOLKSWAGEN	1664	0182646	52088466	JEEP	608
0181898-K	6K0411315 *	SEAT	1330	0182646	52088870AA	JEEP	608
0181898-K	6K0411315 *	VOLKSWAGEN	1664	0182646	52088870AB	JEEP	608
0181898-K	6N0411329 *	SEAT	1330	0182762	48810-81A00	SUZUKI	1431
0181898-K	6N0411329 *	VOLKSWAGEN	1664	0182884	1J0411315E	SKODA	1374
0181898-K	861411331 *	SEAT	1330	0182884	1J0411315E	VOLKSWAGEN	1576, 1603, 1630
0181898-K	861411331 *	VOLKSWAGEN	1664	0182884	1J0411315E	VOLKSWAGEN	1576, 1603, 1630
0181898-K	N90635001 *	SEAT	1330	0182884	1J0411315G	SKODA	1374
0181898-K	N90635001 *	VOLKSWAGEN	1664	0182884	1J0411315G	VOLKSWAGEN	1576, 1603, 1630
0182019	431419811A	AUDI	119	0182890	48520-61G25	NISSAN	965, 993
0182030	82392503	FIAT	348	0182900	357411315C	VOLKSWAGEN	1638
0182030	82392503	LANCIA	667	0182900-K	357411315C *	VOLKSWAGEN	1638
0182030	9939556	FIAT	348	0182900-K	357411329 *	VOLKSWAGEN	1638
0182030	9939556	LANCIA	667	0182900-K	357411331 *	VOLKSWAGEN	1638
0182037	32111126757	BMW	139, 211	0182900-K	N011859 *	VOLKSWAGEN	1638
0182050	GSJ182	ROVER GROUP	1281	0182942	MB-831043	MITSUBISHI	895, 906
0182069	855407469	AUDI	112	0182944	MW-033301	MITSUBISHI	868
0182069	857407479A	AUDI	112	0182945	MB-162811	MITSUBISHI	868
0182170	0003384710	MERCEDES	752, 782	0182948	48521-01L01	NISSAN	943
0182170	0003385110	MERCEDES	752, 782	0182948	48521-01L25	NISSAN	943
0182170	0003385410	MERCEDES	752, 782	0182965	45046-69135	TOYOTA	1510
0182177	0013306235	MERCEDES	818	0182967	45045-69065	TOYOTA	1510
0182252	6083330027	MERCEDES	853	0182980	48810-60A00-000	SUZUKI	1440
0182254	6023300035	MERCEDES	853	0182980	48810-77E00	SUZUKI	1440
0182254	6023305535	MERCEDES	853	0182980	48810-85C00	SUZUKI	1440
0182254	6023305835	MERCEDES	853	0183009	45047-87Z02	PIAGGIO	1157
0182259	6313300535	MERCEDES	855	0183040	1J0411315	AUDI	40
0182260	0004607248	MERCEDES	855	0183040	1J0411315	SKODA	1374
0182260	0013304835	MERCEDES	855	0183040	1J0411315	VOLKSWAGEN	1576, 1603, 1630
0182260	4603301235	MERCEDES	855	0183040	1J0411315C	AUDI	40
				0183040	1J0411315C	SKODA	1374

RIF. OCAP OCAP REF.	RIF. ORIG. O.E. NUMBER	MARCA MAKE	PAG.	RIF. OCAP OCAP REF.	RIF. ORIG. O.E. NUMBER	MARCA MAKE	PAG.
0183040	1J0411315C	VOLKSWAGEN	1576, 1603, 1630	0183623-K	4056A038 *	MITSUBISHI	874
0183051	96434732202	PORSCHE	1160	0183623-K	42311-60A00 *	SUZUKI	1428, 1439- 1440
0183061	NRC6007	LAND ROVER	675-676, 686- 687	0183623-K	42420-60A00 *	SUZUKI	1428, 1439- 1440
0183061	RTC5869	LAND ROVER	675-676, 686- 687	0183623-K	42420-65D00 *	SUZUKI	1428, 1439- 1440
0183115	48521-2S425	NISSAN	967	0183623-K	42420-85C00 *	SUZUKI	1428, 1439- 1440
0183115	48521-2S485	NISSAN	967	0183623-K	MB-518780 *	MITSUBISHI	874
0183323	45046-87680	DAIHATSU	333	0183623-K	MB-518781 *	MITSUBISHI	874
0183369	56820-11000	HYUNDAI	562	0183623-K	MB-573540 *	MITSUBISHI	874
0183369	56820-11060	HYUNDAI	562	0183633	45406-19016	TOYOTA	1464, 1468, 1475, 1488, 1515, 1528
0183458	MB-076003	MITSUBISHI	878, 880, 885, 891-892, 921	0183684	45406-29015	TOYOTA	1486
0183458	MB-076663	MITSUBISHI	878, 880, 885, 891-892, 921	0183684	45406-29016	TOYOTA	1486
0183458	MB-122779	MITSUBISHI	878, 880, 885, 891-892, 921	0183686	45406-29055	TOYOTA	1487
0183458	MB-166980	MITSUBISHI	878, 880, 885, 891-892, 921	0183686	45406-29056	TOYOTA	1487
0183458	MB-378701	MITSUBISHI	878, 880, 885, 891-892, 921	0183686	45406-29065	TOYOTA	1487
0183460	HB568110	HYUNDAI	545, 573	0183710	45406-39055	TOYOTA	1493
0183460	HB568110	MITSUBISHI	894-895, 900, 905	0183719	45406-39105	TOYOTA	1494
0183460	MB-241206	HYUNDAI	545, 573	0183721	45406-39145	TOYOTA	1495
0183460	MB-241206	MITSUBISHI	894-895, 900, 905	0183726	45046-19055	TOYOTA	1529
0183460	MB-315776	HYUNDAI	545, 573	0183739	45047-60H02	TOYOTA	1509
0183460	MB-315776	MITSUBISHI	894-895, 900, 905	0183740	45045-69035	TOYOTA	1509
0183460	MR-296274	HYUNDAI	545, 573	0183756	45406-29135	TOYOTA	1528
0183460	MR-296274	MITSUBISHI	894-895, 900, 905	0183762	45406-39135	TOYOTA	1455, 1504
0183468	MA-159982	MITSUBISHI	878, 884	0183769	45406-29035	TOYOTA	1496
0183468	MA-169613	MITSUBISHI	878, 884	0183769	45406-29095	TOYOTA	1496
0183529	48561-T3001	NISSAN	934, 998	0183776	45046-39085	TOYOTA	1500
0183529	48561-T3025	NISSAN	934, 998	0183777	45406-39065	TOYOTA	1500
0183544	48570-82100	NISSAN	960	0183783	45047-39085	TOYOTA	1497
0183544	48570-J5100	NISSAN	960	0183783	45406-29145	TOYOTA	1497
0183546	48520-50W00	NISSAN	965	0183783	45406-29175	TOYOTA	1497
0183547	48641-50W00	NISSAN	965	0183793	45406-29115	TOYOTA	1501-1502
0183588	48520-31G25	NISSAN	965, 993-994	0183793	45406-39085	TOYOTA	1501-1502
0183588	48520-7F000	NISSAN	965, 993-994	0183793	45406-39086	TOYOTA	1501-1502
0183606	48810-78000	SUZUKI	1423	0183793	45406-39095	TOYOTA	1501-1502
0183606	48810-78001	SUZUKI	1423	0183793	45406-39115	TOYOTA	1501-1502
0183606	48810-78002	SUZUKI	1423	0183793	45406-39125	TOYOTA	1501-1502
0183608	48810-84000	SUZUKI	1423	0183835	48570-G9501	NISSAN	960
0183608	48810-84001	SUZUKI	1423	0184005	131415821A	VOLKSWAGEN	1710
0183608	48810-M84010	SUZUKI	1423	0184010	131415812	OPEL	1039
0183611	48810-60001	SUZUKI	1426	0184010	131415812	VOLKSWAGEN	1698, 1709- 1710, 1714
0183612	48810-79000	SUZUKI	1426	0184010	324101	OPEL	1039
0183620	48810-60A00	SUZUKI	1433, 1439	0184010	324101	VOLKSWAGEN	1698, 1709- 1710, 1714
0183620	48810-80000	SUZUKI	1433, 1439	0184010	324108	OPEL	1039
0183620	48810-83300	SUZUKI	1433, 1439	0184010	324108	VOLKSWAGEN	1698, 1709- 1710, 1714
0183623	4056A038	MITSUBISHI	874	0184011	113415821	VOLKSWAGEN	1709-1710
0183623	42311-60A00	SUZUKI	1428, 1439- 1440	0184025	52005740	JEEP	603, 607, 612- 613
0183623	42420-60A00	SUZUKI	1428, 1439- 1440	0184026	52037994	JEEP	607
0183623	42420-65D00	SUZUKI	1428, 1439- 1440	0184028	52037996	JEEP	607
0183623	42420-85C00	SUZUKI	1428, 1439- 1440	0184029	52006602	JEEP	612
0183623	MB-518780	MITSUBISHI	874	0184034	52006592	JEEP	603
0183623	MB-518781	MITSUBISHI	874	0184035	52005738	JEEP	603, 607
0183623	MB-573540	MITSUBISHI	874	0184041	5044971	TALBOT	1444
				0184101	381716	CITROEN	242, 244, 262, 296, 303, 305
				0184101	381716	PEUGEOT	1089, 1097, 1110, 1119, 1144

RIF. OCAP OCAP REF.	RIF. ORIG. O.E. NUMBER	MARCA MAKE	PAG.	RIF. OCAP OCAP REF.	RIF. ORIG. O.E. NUMBER	MARCA MAKE	PAG.
0184101	381731	CITROEN	242, 244, 262, 296, 303, 305	0190051	5995267	FIAT	409, 411
0184101	381731	PEUGEOT	1089, 1097, 1110, 1119, 1144	0190052	2101-3003064	LADA	649
0184101	381742	CITROEN	242, 244, 262, 296, 303, 305	0190052	21013003064	LADA	649
0184101	381742	PEUGEOT	1089, 1097, 1110, 1119, 1144	0190063	322154	OPEL	1053, 1055
0184101	9471007465	CITROEN	242, 244, 262, 296, 303, 305	0190063	322154	VAUXHALL	1548, 1563
0184101	9471007465	PEUGEOT	1089, 1097, 1110, 1119, 1144	0190063	322172	OPEL	1053, 1055
0184117	MR-241031	MINI	893	0190063	322172	VAUXHALL	1548, 1563
0184143	48520-01J00	NISSAN	961	0190063	322177	OPEL	1053, 1055
0184146	48520-VB025	NISSAN	962	0190063	322177	VAUXHALL	1548, 1563
0184152	2113200189	MERCEDES	792	0190063	324047	OPEL	1053, 1055
0184152	2113203889	MERCEDES	792	0190063	324047	VAUXHALL	1548, 1563
0184158	2203201689	MERCEDES	822	0190063	324061	OPEL	1053, 1055
0184166	4544599	SAAB	1298	0190063	324061	VAUXHALL	1548, 1563
0184166-K	4246112 *	SAAB	1298	0190064	322150	OPEL	1053
0184166-K	4347357 *	SAAB	1298	0190064	322175	OPEL	1053
0184166-K	4544599 *	SAAB	1298	0190064	322175	VAUXHALL	1548
0184166-K	4908802 *	SAAB	1298	0190064	324048	OPEL	1053
0184166-K	8070288 *	SAAB	1298	0190064	90510643	VAUXHALL	1548
0184174	48521-01G25	NISSAN	963	0190085	6148999	FORD	489
0184189	0004633729	MERCEDES	798-799	0190099	82315790	LANCIA	661
0184301	311415818	VOLKSWAGEN	1714	0190115	GSJ162	ROVER GROUP	1275
0184381	381757	PEUGEOT	1134	0190153	6000022702	RENAULT	1182
0184382	381766	CITROEN	274	0190153	6000030064	RENAULT	1182
0184382	381766	PEUGEOT	1134	0190153	7701467273	RENAULT	1182
0184610	7701464019 *	RENAULT	1251	0190162	48520-01W00	NISSAN	963
0184610	7701464441 *	RENAULT	1251	0190258	32211114844	BMW	129
0184610	7701469230 *	RENAULT	1251	0190267	32211114846	BMW	158
0184610-K	7701464019	RENAULT	1251	0190273	32211127918	BMW	159, 161, 186, 196
0184610-K	7701464441	RENAULT	1251	0190273	32211130001	BMW	159, 161, 186, 196
0184610-K	7701469230	RENAULT	1251	0190273	32211135819	BMW	159, 161, 186, 196
0185588	52087887	JEEP	613	0190282	0003380810	MERCEDES	748-750, 752, 814, 816, 827
0186592	11200360	NISSAN	935	0190282	0003382010	MERCEDES	748-750, 752, 814, 816, 827
0186592	11200360-0	NISSAN	935	0190282	0003385010	MERCEDES	748-750, 752, 814, 816, 827
0186592	11200360-0A	NISSAN	935	0190282	0003385310	MERCEDES	748-750, 752, 814, 816, 827
0186592	11200360-0B	NISSAN	935	0190282	0008900048	MERCEDES	748-750, 752, 814, 816, 827
0186592	48513-9X200	NISSAN	935	0190359	MA-159984	MINI	878, 880, 884- 885, 891-892, 921
0186592	485139X20A	NISSAN	935	0190359	MB-122782	MINI	878, 880, 884- 885, 891-892, 921
0186592	48527-9X62A	NISSAN	935	0190359	MB-166982	MINI	878, 880, 884- 885, 891-892, 921
0186612	0003301235	MERCEDES	852	0190359	MB-378704	MINI	878, 880, 884- 885, 891-892, 921
0186612	0003307535	MERCEDES	852	0190425	9-43150-606-0	ISUZU	579
0186612	0003309735	MERCEDES	852	0190425	9-43150-613-0	ISUZU	579
0186612	0003309935	MERCEDES	852	0190440	JHM2167	ROVER GROUP	1275-1276
0186612	0003383429	MERCEDES	852	0190513	1379708	FIAT	344
0186612	0003383529	MERCEDES	852	0190532	861419826A	AUDI	102
0187251	360-501441	RENAULT	1180	0190532	861419862A	VOLKSWAGEN	1656
0188664	45044-69075	TOYOTA	1509	0190533	321419805	AUDI	105-106
0188664	45044-69076	TOYOTA	1509	0190533	321419805	VOLKSWAGEN	1632
0188664	45044-69135	TOYOTA	1509	0190610	5445861 *	CITROEN	287
0190002	4104085	FIAT	403, 414, 419	0190616	95496044	CITROEN	254
0190002	4104085	ZASTAVA	1746	0190620	95585250 *	CITROEN	282
0190024	7701450588	RENAULT	1222, 1226	0190628	95606879 *	CITROEN	284
0190027	4063812	FIAT	412-413, 419				
0190027	4113746	FIAT	412-413, 419				
0190027	82275680	LANCIA	661				
0190051	4109626	FIAT	409, 411				
0190051	4327144	FIAT	411				
0190051	4343760	FIAT	409, 411				

RIF. OCAP OCAP REF.	RIF. ORIG. O.E. NUMBER	MARCA MAKE	PAG.	RIF. OCAP OCAP REF.	RIF. ORIG. O.E. NUMBER	MARCA MAKE	PAG.
0190630	2L5462707A *	CITROEN	282	0190929	7700571172	RENAULT	1231
0190658	1481650	FORD	488	0190941	7700633745	RENAULT	1244
0190658	6148439	FORD	488	0190971	45045-60010	TOYOTA	1508
0190659	1796516	FORD	488	0190971	45045-60013	TOYOTA	1508
0190675	6000030047	RENAULT	1240, 1242	0190971	45045-60H00	TOYOTA	1508
0190712	1233380210	MERCEDES	752	0190971	45045-69015	TOYOTA	1508
0190718	0003384310	MERCEDES	761	0190972	45047-60010	TOYOTA	1508
0190718	0003384510	MERCEDES	761	0190972	45047-60013	TOYOTA	1508
0190718	0003386010	MERCEDES	761	0190972	45047-60H00	TOYOTA	1508
0190718	0003386210	MERCEDES	761	0190972	45047-69025	TOYOTA	1508
0190727	6013300535	MERCEDES	852	0190973	45046-60021	TOYOTA	1508
0190727	6013300735	MERCEDES	852	0190973	45046-60023	TOYOTA	1508
0190727	6013305235	MERCEDES	852	0190973	45046-60081	TOYOTA	1508
0190729	0003302635	MERCEDES	851	0190973	45046-69055	TOYOTA	1508
0190729	0003306935	MERCEDES	851	0191016	82490745	LANCIA	663
0190729	0013300835	MERCEDES	851	0191129	381721	PEUGEOT	1112, 1128, 1130
0190729	0013300935	MERCEDES	851	0191129	381726	PEUGEOT	1112, 1128, 1130
0190731	0004604248	MERCEDES	854	0191129	381748	PEUGEOT	1112, 1128, 1130
0190731	0004604648	MERCEDES	854	0191217	48520-Q0125	NISSAN	931-932, 942
0190731	0004608648	MERCEDES	854	0191217	48520-S0101	NISSAN	931-932, 942
0190731	0004608748	MERCEDES	854	0191217	48520-S0102	NISSAN	931-932, 942
0190737	2108-3414057	LADA	648	0191217	48520-S0125	NISSAN	931-932, 942
0190737	21083414057	LADA	648	0191302	32211118619	BMW	184
0190748	45046-19065	TOYOTA	1464, 1468, 1475, 1487- 1488, 1515, 1528-1529	0191401	7701013276	RENAULT	1259
0190748	45046-19135	TOYOTA	1464, 1468, 1475, 1487- 1488, 1515, 1528-1529	0191418	322180	OPEL	1055
0190748	45046-29075	TOYOTA	1464, 1468, 1475, 1487- 1488, 1515, 1528-1529	0191418	322180	VAUXHALL	1563
0190748	45046-29155	TOYOTA	1464, 1468, 1475, 1487- 1488, 1515, 1528-1529	0191418	324060	OPEL	1055
0190777	324112	OPEL	1059	0191418	324060	VAUXHALL	1563
0190783	324017	OPEL	1060	0191538	381737	CITROEN	303, 305
0190783	324017	VAUXHALL	1547	0191538	381737	PEUGEOT	1146, 1148
0190783	324044	OPEL	1060	0191538	381743	CITROEN	303, 305
0190783	90017299	VAUXHALL	1547	0191538	381743	PEUGEOT	1146, 1148
0190788	381406	PEUGEOT	1094	0191549	381740	PEUGEOT	1132
0190789	381339	PEUGEOT	1094	0191652	0013305335	MERCEDES	828
0190792	381351	PEUGEOT	1106	0191652	0013305535	MERCEDES	783, 828
0190804	387430	PEUGEOT	1079	0191676	381753	CITROEN	271
0190820	GSJ153	LAND ROVER	686	0191676	400122	PEUGEOT	1130
0190820	RTC1809	LAND ROVER	686	0191686	0013303935	MERCEDES	782
0190830	0002364300	TALBOT	1447	0191687	0013303835	MERCEDES	782
0190830	23643V	TALBOT	1447	0191695	0004607348	MERCEDES	798-799
0190834	0055266200	TALBOT	1447	0191718	5021444	FORD	490
0190834	34518K	TALBOT	1447	0191718	6172640	FORD	490
0190847	0002510300	TALBOT	1450	0191719	5021447	FORD	490
0190847	25103K	TALBOT	1450	0191719	6792901	FORD	490
0190857	0016329000	TALBOT	1442	0191724-K	6150971	FORD	494
0190857	16329000	TALBOT	1442	0192050	GSJ183	ROVER GROUP	1281
0190857	20262500	TALBOT	1442	0192090	21013414116	LADA	646
0190857	42342	TALBOT	1442	0192090	2121-3414116	LADA	646
0190857	42342A	TALBOT	1442	0192090	21213414116	LADA	646
0190882	113415811C	VOLKSWAGEN	1699, 1710- 1712, 1715	0192178	0013306335	MERCEDES	818
0190882	311415811C	VOLKSWAGEN	1699, 1710- 1712, 1715	0192185	32211114845	BMW	128
0190890	281415811	VOLKSWAGEN	1621	0192252	6083380110	MERCEDES	853
				0192254	6023300135	MERCEDES	853
				0192254	6023305435	MERCEDES	853
				0192254	6023305735	MERCEDES	853
				0192254	6083305535	MERCEDES	853
				0192254	6083305735	MERCEDES	853
				0192258	6313300410	MERCEDES	855
				0192260	6313300435	MERCEDES	855
				0192479	45047-39215	TOYOTA	1456, 1511
				0192604	677111	VOLVO	1735
				0192605	679290	VOLVO	1735

RIF. OCAP OCAP REF.	RIF. ORIG. O.E. NUMBER	MARCA MAKE	PAG.	RIF. OCAP OCAP REF.	RIF. ORIG. O.E. NUMBER	MARCA MAKE	PAG.
0192645	52088511	JEEP	608	0193725	45046-21010	TOYOTA	1529
0192645	K52088511	JEEP	608	0193725	45046-29025	TOYOTA	1529
0192646	52088869AA	JEEP	608	0193725	45046-29035	TOYOTA	1529
0192762	48820-81A00	SUZUKI	1431	0193725	45046-29045	TOYOTA	1529
0192943	MB-831044	MITSUBISHI	906	0193725	45047-19035	TOYOTA	1529
0192944	MW-033300	MITSUBISHI	868	0193725	45047-19055	TOYOTA	1529
0192945	MB-162810	MITSUBISHI	868	0193725	45047-20010	TOYOTA	1529
0192947	48520-01L01	NISSAN	943	0193725	45047-29015	TOYOTA	1529
0192947	48520-01L25	NISSAN	943	0193733	45046-60011	TOYOTA	1508
0192966	45047-69085	TOYOTA	1510	0193738	45046-69115	TOYOTA	1509
0192968	45044-69125	TOYOTA	1510	0193738	45046-69116	TOYOTA	1509
0192969	45044-69115	TOYOTA	1510	0193741	45044-69035	TOYOTA	1509
0192981	48820-77E00	SUZUKI	1440	0193742	45046-60H04	TOYOTA	1509
0193009	45046-87Z02	PIAGGIO	1157	0193742	45046-69105	TOYOTA	1509
0193061	RTC5870	LAND ROVER	675, 686	0193743	45044-69045	TOYOTA	1509
0193063	NRC1823	LAND ROVER	676, 687	0193744	45044-60H03	TOYOTA	1509
0193066	QFS000010	LAND ROVER	678, 688	0193746	45046-60H03	TOYOTA	1509
0193066	QFS100060	LAND ROVER	678, 688	0193759	45046-29115	TOYOTA	1455, 1497, 1501-1502, 1504
0193069	ANR2858	LAND ROVER	675	0193759	45046-29125	TOYOTA	1455, 1497, 1501-1502, 1504
0193116	48520-2S425	NISSAN	967	0193759	45046-39105	TOYOTA	1455, 1497, 1501-1502, 1504
0193116	48520-2S485	NISSAN	967	0193759	45046-39165	TOYOTA	1455, 1497, 1501-1502, 1504
0193312	45046-19065	DAIHATSU	324	0193759	45046-39175	TOYOTA	1455, 1497, 1501-1502, 1504
0193312	45046-29075	DAIHATSU	324	0193759	45046-39235	TOYOTA	1455, 1497, 1501-1502, 1504
0193323	45047-87380	DAIHATSU	333	0193768	45045-29035	TOYOTA	1496
0193368	56810-11000	HYUNDAI	562	0193776	45047-39055	TOYOTA	1500
0193368	56810-11060	HYUNDAI	562	0193835	48520-G9502	NISSAN	960
0193429	0603-99-324	MAZDA	744	0193901	0003385610	MERCEDES	782
0193429	0603-99-325	MAZDA	744	0193901	0003385910	MERCEDES	782
0193429	2541-99-324A	MAZDA	744	0194004	131415813E	VOLKSWAGEN	1710
0193429	3874-99-324	MAZDA	744	0194010	113415813D	VOLKSWAGEN	1710
0193429	D27Z-3A131A	MAZDA	744	0194011	131415811	VOLKSWAGEN	1698, 1709- 1710, 1714
0193429	D77Z-3A131A	MAZDA	744	0194012	113415813	VOLKSWAGEN	1709
0193459	HB568120	HYUNDAI	545, 573	0194025	52005741	JEEP	603, 607, 612- 613
0193459	MB-241171	HYUNDAI	545, 573	0194027	52005739	JEEP	603, 607, 612- 613
0193459	MB-241171	MITSUBISHI	893-894, 900, 905	0194041	5044972	TALBOT	1444
0193459	MB-315775	HYUNDAI	545, 573	0194101	381714	CITROEN	242, 244, 262, 296, 303, 305
0193459	MB-315775	MITSUBISHI	893-894, 900, 905	0194101	381714	PEUGEOT	1089, 1097, 1110, 1119, 1144
0193459	MR-241032	HYUNDAI	545, 573	0194101	381741	CITROEN	242, 244, 262, 296, 303, 305
0193459	MR-241032	MITSUBISHI	893-894, 900, 905	0194101	381741	PEUGEOT	1089, 1097, 1110, 1119, 1144
0193529	48571-T3001	NISSAN	934, 998	0194101	391730	CITROEN	242, 244, 262, 296, 303, 305
0193529	48571-T3025	NISSAN	934, 998	0194101	391730	PEUGEOT	1089, 1097, 1110, 1119, 1144
0193544	48580-82100	NISSAN	960	0194101	9471007565	CITROEN	242, 244, 262, 296, 303, 305
0193544	48580-J5100	NISSAN	960	0194101	9471007565	PEUGEOT	1089, 1097,
0193546	48640-50W00	NISSAN	965				
0193547	48521-50W00	NISSAN	965				
0193588	48520-7F001	NISSAN	965, 993-994				
0193588	48521-31G25	NISSAN	965, 993-994				
0193588	48570-31G25	NISSAN	965, 993-994				
0193611	48820-60001	SUZUKI	1426				
0193612	48820-79000	SUZUKI	1426				
0193612	48820A85000-000	SUZUKI	1426				
0193612	91112558	SUZUKI	1426				
0193621	48820-60A00	SUZUKI	1439				
0193681	45046-29035	TOYOTA	1486				
0193681	45046-29045	TOYOTA	1486				
0193681	45047-29015	TOYOTA	1486				
0193686	45407-29015	TOYOTA	1487				
0193686	45407-29016	TOYOTA	1487				
0193698	45046-39075	TOYOTA	1493				
0193718	45046-39155	TOYOTA	1494-1495				
0193722	45046-39195	TOYOTA	1495				
0193725	45046-20010	TOYOTA	1529				

RIF. OCAP OCAP REF.	RIF. ORIG. O.E. NUMBER	MARCA MAKE	PAG.	RIF. OCAP OCAP REF.	RIF. ORIG. O.E. NUMBER	MARCA MAKE	PAG.
			1110, 1119, 1144	0280037	9404059080	LANCIA	674
0194146	48570-VB025	NISSAN	962	0280037	9404059080	MASERATI	706
0194152	2113200989	MERCEDES	792	0280037	9404059080	PEUGEOT	1150
0194152	2113203989	MERCEDES	792	0280037	9404059080	VOLVO	1739
0194158	2203201589	MERCEDES	822	0280044	1035690	FORD	466, 479
0194175	48520-01G25	NISSAN	963	0280044	5030221	FORD	466, 479
0194381	381758	PEUGEOT	1134	0280055	1447222	FORD	426-428, 432- 433
0194382	381765	CITROEN	274	0280055	1571221	FORD	426-428, 432- 433
0194382	381765	PEUGEOT	1134	0280055	5021410	FORD	426-428, 432- 433
0196592	11200361-0	NISSAN	935	0280055	6128814	FORD	426-428, 432- 433
0196592	11200361-0A	NISSAN	935	0280056	171419811	PORSCHE	1165, 1167
0196592	11200361-0B	NISSAN	935	0280056	171419811	VOLKSWAGEN	1591, 1700
0196612	0003301335	MERCEDES	852	0280056	171419811A	PORSCHE	1165, 1167
0196612	0003307635	MERCEDES	852	0280056	171419811A	VOLKSWAGEN	1591, 1700
0196612	0003309835	MERCEDES	852	0280056	171419812	PORSCHE	1165, 1167
0196612	0013300035	MERCEDES	852	0280056	171419812	VOLKSWAGEN	1591, 1700
0196612	0023301435	MERCEDES	852	0280056	251419811	PORSCHE	1165, 1167
0197251	360-501442	RENAULT	1180	0280056	251419811	VOLKSWAGEN	1591, 1700
0198665	45045-69046	TOYOTA	1509	0280056	477419815	PORSCHE	1165, 1167
0198665	45045-69075	TOYOTA	1509	0280056	477419815	VOLKSWAGEN	1591, 1700
0280009	4254278	FIAT	407	0280056	324054	OPEL	1015
0280009	4254278	ZASTAVA	1746	0280058	324054	SAAB	1298
0280010	4443201	FIAT	407	0280058	324054	VAUXHALL	1542
0280010	4443201	SEAT	1357	0280058	324056	OPEL	1015
0280010	DG16240900	FIAT	407	0280058	324056	SAAB	1298
0280010	DG16240900	SEAT	1357	0280058	324056	VAUXHALL	1542
0280030	7543028	FIAT	363	0280058	4242756	OPEL	1015
0280037	1306003080	CITROEN	292	0280058	4242756	SAAB	1298
0280037	1306003080	FIAT	387-388, 398, 410	0280058	4242756	VAUXHALL	1542
0280037	1306003080	LANCIA	674	0280058	90369705	OPEL	1015
0280037	1306003080	MASERATI	706	0280058	90369705	SAAB	1298
0280037	1306003080	PEUGEOT	1150	0280058	90369705	VAUXHALL	1542
0280037	1306003080	VOLVO	1739	0280058	90373520	OPEL	1015
0280037	310220034-A	CITROEN	292	0280058	90373520	SAAB	1298
0280037	310220034-A	FIAT	387-388, 398, 410	0280058	90373520	VAUXHALL	1542
0280037	310220034-A	LANCIA	674	0280059	322146	OPEL	1015
0280037	310220034-A	MASERATI	706	0280059	322146	SAAB	1298
0280037	310220034-A	PEUGEOT	1150	0280059	322146	VAUXHALL	1542
0280037	310220034-A	VOLVO	1739	0280059	4242681	OPEL	1015
0280037	3265974	CITROEN	292	0280059	4242681	SAAB	1298
0280037	3265974	FIAT	387-388, 398, 410	0280059	4242681	VAUXHALL	1542
0280037	3265974	LANCIA	674	0280059	90373522	OPEL	1015
0280037	3265974	MASERATI	706	0280059	90373522	SAAB	1298
0280037	3265974	PEUGEOT	1150	0280059	90373522	VAUXHALL	1542
0280037	3265974	VOLVO	1739	0280080	5021442	FORD	489-490, 492
0280037	405909	CITROEN	292	0280080	6156450	FORD	489-490, 492
0280037	405909	FIAT	387-388, 398, 410	0280080	6172643	FORD	489-490, 492
0280037	405909	LANCIA	674	0280090	48520-02E26	NISSAN	928, 937, 979, 990, 996
0280037	405909	MASERATI	706	0280090	48520-D0100	NISSAN	928, 937, 979, 990, 996
0280037	405909	PEUGEOT	1150	0280090	48520-D0125	NISSAN	928, 937, 979, 990, 996
0280037	405909	VOLVO	1739	0280090	48520-D0126	NISSAN	928, 937, 979, 990, 996
0280037	4322906	CITROEN	292	0280123	82351945	LANCIA	654
0280037	4322906	FIAT	387-388, 398, 410	0280139	48520-50A00	NISSAN	980, 991, 997
0280037	4322906	LANCIA	674	0280139	48520-50A25	NISSAN	980, 991, 997
0280037	4322906	MASERATI	706	0280139	48520-50A26	NISSAN	980, 991, 997
0280037	4322906	PEUGEOT	1150	0280141	45046-19175	TOYOTA	1465, 1469, 1472, 1477, 1479-1482,
0280037	4322906	VOLVO	1739				
0280037	9404059080	CITROEN	292				
0280037	9404059080	FIAT	387-388, 398, 410				

RIF. OCAP OCAP REF.	RIF. ORIG. O.E. NUMBER	MARCA MAKE	PAG.	RIF. OCAP OCAP REF.	RIF. ORIG. O.E. NUMBER	MARCA MAKE	PAG.
			1491, 1524, 1536	0280292	4257019	AUTOBIANCHI	125
				0280293	4402277	FIAT	375
0280141	45046-29305	TOYOTA	1465, 1469, 1472, 1477, 1479-1482, 1491, 1524, 1536	0280293	4402277	INNOCENTI	577
				0280293	4402277	SEAT	1350
				0280293	557801103	FIAT	375
				0280293	557801103	INNOCENTI	577
0280141	48830-12060	TOYOTA	1465, 1469, 1472, 1477, 1479-1482, 1491, 1524, 1536	0280293	557801103	SEAT	1350
				0280294	4410415	FIAT	385
				0280294	4410415	SEAT	1324, 1354
				0280295	5938137	FIAT	385
				0280296	5958246	FIAT	400
0280165	366602133	MASERATI	706	0280296	5958247	AUTOBIANCHI	127
0280169	3074198121	VOLKSWAGEN	1586, 1590	0280296	5958247	FIAT	400
0280182	007350278P	SKODA	1367, 1397	0280296	5983406	AUTOBIANCHI	127
0280182	115500440	SKODA	1367, 1397	0280296	5983406	FIAT	400
0280182	6U0422811	SKODA	1367, 1397	0280297	5960036	FIAT	345, 385
0280191	53540-SF1-004	HONDA	533	0280297	5960036	SEAT	1325
0280236	1683301235	MERCEDES	755	0280297	5960056	FIAT	345, 385
0280260	32111116463	BMW	137	0280297	5960056	SEAT	1325
0280260	32111116463	PORSCHE	1159	0280297	5960057	FIAT	345, 385
0280260	93034732200	BMW	137	0280297	5960057	SEAT	1325
0280260	93034732200	PORSCHE	1159	0280297	7669756	FIAT	345, 385
0280283	53540-S04-003	HONDA	512-514, 520	0280297	7669756	SEAT	1325
0280283	53540-S04-003	ROVER GROUP	1290	0280297	SE022162406A	FIAT	345, 385
0280283	53540-S04-013	HONDA	512-514, 520	0280297	SE022162406A	SEAT	1325
0280283	53540-S04-013	ROVER GROUP	1290	0280298	5962775	AUTOBIANCHI	125
0280283	53540-SH3-003	HONDA	512-514, 520	0280298	5962775	FIAT	402, 405
0280283	53540-SH3-003	ROVER GROUP	1290	0280298	5962775	SEAT	1323
0280283	53540-SH3-013	HONDA	512-514, 520	0280298	5983404	AUTOBIANCHI	125
0280283	53540-SH3-013	ROVER GROUP	1290	0280298	5983404	FIAT	402, 405
0280283	53540-SR0-A01	HONDA	512-514, 520	0280298	5983404	SEAT	1323
0280283	53540-SR0-A01	ROVER GROUP	1290	0280298	5983406	AUTOBIANCHI	125
0280283	53540-SR3-003	HONDA	512-514, 520	0280298	5983406	FIAT	402, 405
0280283	53540-SR3-003	ROVER GROUP	1290	0280298	5983406	SEAT	1323
0280283	GSJ496	HONDA	512-514, 520	0280298	7591300	AUTOBIANCHI	125
0280283	GSJ496	ROVER GROUP	1290	0280298	7591300	FIAT	402, 405
0280289	60809494	ALFA ROMEO	3, 5, 7, 26	0280298	7591300	SEAT	1323
0280289	60809494	FIAT	340, 346, 395	0280298	SE127162410A	AUTOBIANCHI	125
0280289	60809494	LANCIA	652, 658-659	0280298	SE127162410A	FIAT	402, 405
0280289	7591215	ALFA ROMEO	3, 5, 7, 26	0280298	SE127162410A	SEAT	1323
0280289	7591215	FIAT	340, 346, 395	0280299	266081	FIAT	375
0280289	7591215	LANCIA	652, 658-659	0280299	266081	PIAGGIO	1156
0280289	7678717	ALFA ROMEO	3, 5, 7, 26	0280299	266081	SEAT	1350
0280289	7678717	FIAT	340, 346, 395	0280299	5960834	FIAT	375
0280289	7678717	LANCIA	652, 658-659	0280299	5960834	PIAGGIO	1156
0280289	9947438	ALFA ROMEO	3, 5, 7, 26	0280299	5960834	SEAT	1350
0280289	9947438	FIAT	340, 346, 395	0280299	5960835	FIAT	375
0280289	9947438	LANCIA	652, 658-659	0280299	5960835	PIAGGIO	1156
0280289	9950672	ALFA ROMEO	3, 5, 7, 26	0280299	5960835	SEAT	1350
0280289	9950672	FIAT	340, 346, 395	0280299	SE-141162410A	FIAT	375
0280289	9950672	LANCIA	652, 658-659	0280299	SE-141162410A	PIAGGIO	1156
0280290	4264735	FIAT	402, 404	0280299	SE-141162410A	SEAT	1350
0280291	4254519	FIAT	405	0280300	5962772	FIAT	410
0280291	4254519	SEAT	1323	0280300	5962773	FIAT	410
0280291	4254520	FIAT	405	0280337	S083-99-324	KIA	614
0280291	4254520	SEAT	1323	0280337	S083-99-324	MAZDA	730
0280291	4257066	FIAT	405	0280342	E17Z-3A130A	MAZDA	744
0280291	4257066	SEAT	1323	0280342	E17Z-3A130B	MAZDA	744
0280291	4361667	FIAT	405	0280342	UA01-99-322	MAZDA	744
0280291	4361667	SEAT	1323	0280342	UA01-99-323	MAZDA	744
0280291	4361668	FIAT	405	0280347	8AH1-32-280	MAZDA	724-725, 729
0280291	4361668	SEAT	1323	0280347	H001-99-324	MAZDA	724-725, 729
0280291	4361669	FIAT	405	0280350	3410364	VOLVO	1740
0280291	4361669	SEAT	1323	0280350	3448334	VOLVO	1740
0280292	4254523	AUTOBIANCHI	125	0280350	3480012	VOLVO	1740

RIF. OCAP OCAP REF.	RIF. ORIG. O.E. NUMBER	MARCA MAKE	PAG.	RIF. OCAP OCAP REF.	RIF. ORIG. O.E. NUMBER	MARCA MAKE	PAG.
0280357	B001-99-324	MAZDA	716	0280515	93804059	ALFA ROMEO	22
0280357	B037-99-324	MAZDA	716	0280515	93804059	FIAT	384
0280360	48520-M0225	NISSAN	937, 978	0280515	93804059	IVECO	587
0280360	48520-M3025	NISSAN	937, 978	0280517	500310933	ALFA ROMEO	22
0280367	6000022731	RENAULT	1270	0280517	500310933	FIAT	384
0280371	32111139314	BMW	142, 212	0280517	500310933	IVECO	587, 590
0280381	5027452	FORD	464	0280517	93802209	ALFA ROMEO	22
0280383	60565705	ALFA ROMEO	7, 26	0280517	93802209	FIAT	384
0280383	60565705	FIAT	346	0280517	93802209	IVECO	587, 590
0280383	60565705	LANCIA	659	0280517	93804060	ALFA ROMEO	22
0280383	60809613	ALFA ROMEO	7, 26	0280517	93804060	FIAT	384
0280383	60809613	FIAT	346	0280517	93804060	IVECO	587, 590
0280383	60809613	LANCIA	659	0280525	116002404101	ALFA ROMEO	20-21
0280383	9947436	ALFA ROMEO	7, 26	0280525	60521320	ALFA ROMEO	20-21
0280383	9947436	FIAT	346	0280621	5962654	FIAT	407
0280383	9947436	LANCIA	659	0280655	1476246	FORD	420, 483
0280383	9950670	ALFA ROMEO	7, 26	0280656	5021413	FORD	430, 477, 480
0280383	9950670	FIAT	346	0280656	6120231	FORD	430, 477, 480
0280383	9950670	LANCIA	659	0280702	34782107	INNOCENTI	577
0280389	50006261	FIAT	364, 395	0280702	6397973	INNOCENTI	577
0280389	50006261	INNOCENTI	576	0280702	6397973	ROVER GROUP	1274, 1278, 1280
0280389	50006262	FIAT	364, 395	0280702	6397973	VAUXHALL	1569
0280389	50006262	INNOCENTI	576	0280702	7178656	INNOCENTI	577
0280389	7690960	FIAT	364, 395	0280702	7178656	ROVER GROUP	1274, 1278, 1280
0280389	7690960	INNOCENTI	576	0280702	7178656	VAUXHALL	1569
0280441	5962775	FIAT	339, 380, 382, 404	0280702	7178656	VAUXHALL	1569
0280441	5962775	LANCIA	670	0280702	8819219	INNOCENTI	577
0280441	7591300	FIAT	339, 380, 382, 404	0280702	8819219	ROVER GROUP	1274, 1278, 1280
0280441	7591300	LANCIA	670	0280702	8819219	VAUXHALL	1569
0280441	7752285	FIAT	339, 380, 382, 404	0280702	8G8625	INNOCENTI	577
0280441	7752285	LANCIA	670	0280702	8G8625	ROVER GROUP	1274, 1278, 1280
0280441	9946949	FIAT	339, 380, 382, 404	0280702	GSJ100	INNOCENTI	577
0280441	9946949	LANCIA	670	0280702	GSJ100	ROVER GROUP	1274, 1278, 1280
0280455	5-44352-026-0	ISUZU	582-583, 585	0280702	GSJ190	INNOCENTI	577
0280455	8-94237-351-1	ISUZU	582-583, 585	0280750	26011925	OPEL	1026-1027, 1029
0280455	94224701	ISUZU	582-583, 585	0280750	26011925	VAUXHALL	1553, 1555, 1562
0280455	94237351	ISUZU	582-583, 585	0280750	324042	OPEL	1026-1027, 1029
0280456	8-94419-408-0	ISUZU	578, 581, 586	0280750	324042	VAUXHALL	1553, 1555, 1562
0280456	8-94459-480-0	ISUZU	578, 581, 586	0280750	324050	OPEL	1026-1027, 1029
0280468	7693816	FIAT	363	0280750	324050	VAUXHALL	1553, 1555, 1562
0280468	7693816	INNOCENTI	576	0280750	324050	OPEL	1026-1027, 1029
0280475	46456660	FIAT	371, 373, 394	0280750	324050	VAUXHALL	1553, 1555, 1562
0280475	46745364	FIAT	371, 373, 394	0280750	93388621	OPEL	1026-1027, 1029
0280513	381711	CITROEN	279	0280750	93388621	VAUXHALL	1553, 1555, 1562
0280513	381711	FIAT	357	0280750	93388621	OPEL	1026-1027, 1029
0280513	381711	PEUGEOT	1077	0280750	93388621	VAUXHALL	1553, 1555, 1562
0280513	4336779	CITROEN	279	0280753	324115	OPEL	1013, 1040
0280513	4336779	FIAT	357	0280753	324115	VAUXHALL	1550, 1552
0280513	4336779	PEUGEOT	1077	0280753	324116	OPEL	1013, 1040
0280513	9750079800	CITROEN	279	0280753	324116	VAUXHALL	1550, 1552
0280513	9750079800	FIAT	357	0280753	9004081	VAUXHALL	1550, 1552
0280513	9750079800	PEUGEOT	1077	0280758	324037	OPEL	1041
0280515	1903652	ALFA ROMEO	22	0280758	324037	VAUXHALL	1540
0280515	1903652	FIAT	384	0280758	90094763	OPEL	1041
0280515	1903652	IVECO	587	0280758	90094763	VAUXHALL	1540
0280515	8584193	ALFA ROMEO	22	0280762	324041	OPEL	1042
0280515	8584193	FIAT	384	0280762	324041	VAUXHALL	1540
0280515	8584193	IVECO	587	0280762	90140433	OPEL	1042
0280515	93800662	ALFA ROMEO	22				
0280515	93800662	FIAT	384				
0280515	93800662	IVECO	587				

RIF. OCAP OCAP REF.	RIF. ORIG. O.E. NUMBER	MARCA MAKE	PAG.	RIF. OCAP OCAP REF.	RIF. ORIG. O.E. NUMBER	MARCA MAKE	PAG.
0280762	90140433	VAUXHALL	1540				511, 525, 532, 536
0280763	322124	OPEL	1042				
0280763	322124	VAUXHALL	1540	0280987	53540-SB2-013	HONDA	502-503, 510- 511, 525, 532, 536
0280763	90142315	OPEL	1042				
0280763	90142315	VAUXHALL	1540	0280987	53540-SC2-003	HONDA	502-503, 510- 511, 525, 532, 536
0280771	26001806	CHEVROLET - DAEWOO 223					
0280771	26001806	GENERAL MOTORS	501	0280987	53540-SC2-004	HONDA	502-503, 510- 511, 525, 532, 536
0280771	26001806	OPEL	1014, 1043				
0280771	26001806	VAUXHALL	1541, 1551	0281022	32111091770	BMW	164
0280771	324038	CHEVROLET - DAEWOO 223		0281031	32211141346	BMW	188
0280771	324038	GENERAL MOTORS	501	0281049	26065265	OPEL	1029
0280771	324038	OPEL	1014, 1043	0281049	26065265	VAUXHALL	1555
0280771	324038	VAUXHALL	1541, 1551	0281049	324066	OPEL	1029
0280771	90140006	CHEVROLET - DAEWOO 223		0281049	324066	VAUXHALL	1555
0280771	90140006	GENERAL MOTORS	501	0281054	1074305	FORD	444
0280771	90140006	OPEL	1014, 1043	0281054	1107013	FORD	444
0280771	90140006	VAUXHALL	1541, 1551	0281059	6X0422812	SEAT	1315
0280771	96275019	CHEVROLET - DAEWOO 223		0281059	6X0422812	VOLKSWAGEN	1626, 1660
0280771	96275019	GENERAL MOTORS	501	0281059	8Z0419811A	AUDI	36
0280771	96275019	OPEL	1014, 1043	0281125	46430430	FIAT	340
0280771	96275019	VAUXHALL	1541, 1551	0281125	9947441	FIAT	340
0280772	07848282	CHEVROLET - DAEWOO 223		0281143	1306716080	CITROEN	288
0280772	07848282	GENERAL MOTORS	501	0281143	1306716080	FIAT	359
0280772	07848282	OPEL	1014, 1043	0281143	1306716080	PEUGEOT	1072
0280772	07848282	VAUXHALL	1541, 1551	0281143	1471655080	CITROEN	288
0280772	322126	CHEVROLET - DAEWOO 223		0281143	1471655080	FIAT	359
0280772	322126	GENERAL MOTORS	501	0281143	1471655080	PEUGEOT	1072
0280772	322126	OPEL	1014, 1043	0281143	4018A3	CITROEN	288
0280772	322126	VAUXHALL	1541, 1551	0281143	4018A3	FIAT	359
0280772	90125120	GENERAL MOTORS	501	0281143	4018A3	PEUGEOT	1072
0280772	90125568	CHEVROLET - DAEWOO 223		0281143	4018H4	CITROEN	288
0280772	90125568	OPEL	1014, 1043	0281143	4018H4	FIAT	359
0280772	90125568	VAUXHALL	1541, 1551	0281143	4018H4	PEUGEOT	1072
0280787	324114	OPEL	1025	0281222	48520-01F25	NISSAN	932, 944, 986
0280787	8845298	OPEL	1025	0281222	48520-W1025	NISSAN	932, 944, 986
0280787	8845298	VAUXHALL	1546	0281266	8021-99-322	MAZDA	714-715, 723, 745
0280815	92834732201	PORSCHE	1166	0281266	8531-99-322A	MAZDA	714-715, 723, 745
0280815	92834732202	PORSCHE	1166	0281268	8173-99-322	MAZDA	723
0280818	GSJ206	ROVER GROUP	1286	0281290	56820-22000	HYUNDAI	539, 559-560, 567
0280826	8993347	SAAB	1295	0281290	56820-22000	KIA	621
0280829	8924177	SAAB	1296	0281290	56820-28500	HYUNDAI	539, 559-560, 567
0280829	8985160	SAAB	1296	0281290	56820-28500	KIA	621
0280829	8993354	SAAB	1296	0281290	56820-28520	HYUNDAI	539, 559-560, 567
0280855	1032567	FORD	435, 457, 482	0281290	56820-28520	KIA	621
0280855	1032689	FORD	435, 457, 482	0281300	7701471127	RENAULT	1184
0280855	1034417	FORD	435, 457, 482	0281305	8957839	SAAB	1305
0280855	6959517	FORD	435, 457, 482	0281305	8993453	SAAB	1305
0280855	6959518	FORD	435, 457, 482	0281326	46527567	ALFA ROMEO	3, 5, 7, 26
0280861	1205658	VOLVO	1736-1737, 1743	0281326	46527567	FIAT	340, 346, 353, 369-370, 400
0280861	3516944	VOLVO	1736-1737, 1743	0281326	9947714	ALFA ROMEO	3, 5, 7, 26
0280871	6N0419812	VOLKSWAGEN	1626, 1659	0281326	9947714	FIAT	340, 346, 353, 369-370, 400
0280871	6N0422812	SEAT	1313, 1315	0281326	9947719	ALFA ROMEO	3, 5, 7, 26
0280871	6N0422812	VOLKSWAGEN	1626, 1659	0281326	9947719	FIAT	340, 346, 353, 369-370, 400
0280873	191419812	SEAT	1326, 1355	0281370	9947764	ALFA ROMEO	3, 26
0280873	191419812	VOLKSWAGEN	1578, 1593, 1596, 1599, 1636, 1639	0281375	9947720	ALFA ROMEO	5, 7, 26
0280873	3A0422812	SEAT	1326, 1355	0281375	9947720	LANCIA	664
0280873	3A0422812	VOLKSWAGEN	1578, 1593, 1596, 1599, 1636, 1639				
0280914	48520-4F125	NISSAN	947				
0280914	48520-6F625	NISSAN	947				
0280987	53540-SB2-003	HONDA	502-503, 510-				

RIF. OCAP OCAP REF.	RIF. ORIG. O.E. NUMBER	MARCA MAKE	PAG.	RIF. OCAP OCAP REF.	RIF. ORIG. O.E. NUMBER	MARCA MAKE	PAG.
0281375	9947926	ALFA ROMEO	5, 7, 26	0281556	53560-SM4-004	HONDA	504-505
0281375	9947926	FIAT	346, 369	0281556	53560-SM4-004	ROVER GROUP	1292
0281375	9947926	LANCIA	664	0281556	53560-SV4-003	HONDA	504-505
0281375	9950775	ALFA ROMEO	5, 7, 26	0281556	53560-SV4-003	ROVER GROUP	1292
0281375	9950775	LANCIA	664	0281556	53560-SX0-013	HONDA	504-505
0281382	8N0422812A	AUDI	97	0281556	53560-SX0-013	ROVER GROUP	1292
0281382	8N0422812A	SEAT	1340	0281556	GSJ408	HONDA	504-505
0281387	32106774221	BMW	145, 214	0281556	GSJ408	ROVER GROUP	1292
0281387	32211095958	BMW	145, 214	0281580	57780-3B000	HYUNDAI	574
0281395	32211091724	BMW	166	0281584	56820-07000	KIA	627, 632
0281405	701419812	VOLKSWAGEN	1701	0281584	F4BZ-3A130-A	KIA	627, 632
0281407	701419812A	VOLKSWAGEN	1701	0281584	K9992-11-201	KIA	627, 632
0281411	701419812B	VOLKSWAGEN	1703	0281584	MDX50-32-280	KIA	627, 632
0281413	701419812D	VOLKSWAGEN	1703	0281591	8AL1-32-280	MAZDA	736
0281422	920373	OPEL	1034	0281593	8AG3-32-280	MAZDA	720, 726-727, 736, 742-743, 747
0281422	920373	VAUXHALL	1558	0281593	8AG4-32-280	MAZDA	720, 726-727, 736, 742-743, 747
0281422	94459480	OPEL	1034	0281593	GA2A-32-280A	MAZDA	720, 726-727, 736, 742-743, 747
0281422	94459480	VAUXHALL	1558	0281614	7524715	FIAT	364
0281470	2110-3414056	LADA	647, 650	0281614	7524715	INNOCENTI	576
0281470	21103414056	LADA	647, 650	0281635	GSJ194	ROVER GROUP	1277
0281471	2110-3414058	LADA	650	0281678	6589456	FORD	490-491
0281472	111803414056	LADA	645	0281693	324063	OPEL	1061
0281472	1118-3414056	LADA	645	0281693	324063	VAUXHALL	1565
0281473	2110-3414052 *	LADA	647	0281693	4836540	SAAB	1301
0281487	QFS000040	LAND ROVER	678	0281712	1015546	FORD	430
0281495	4501263	NISSAN	939	0281712	5024332	FORD	430
0281495	4501263	OPEL	1049	0281712	7243564	FORD	430
0281495	4501263	RENAULT	1209	0281725	1039103	FORD	493
0281495	4501263	VAUXHALL	1561	0281725	1047145	FORD	493
0281495	48520-00QAJ	NISSAN	939	0281725	6517364	FORD	493
0281495	48520-00QAJ	OPEL	1049	0281725	6687191	FORD	493
0281495	48520-00QAJ	RENAULT	1209	0281747	1603214	OPEL	1018
0281495	48520-00QAJ	VAUXHALL	1561	0281747	1603214	VAUXHALL	1543
0281495	7701470364	NISSAN	939	0281747	1603215	OPEL	1018
0281495	7701470364	OPEL	1049	0281747	1603215	VAUXHALL	1543
0281495	7701470364	RENAULT	1209	0281747	1603542	OPEL	1018
0281495	7701470364	VAUXHALL	1561	0281747	1603542	VAUXHALL	1543
0281495	9161563	NISSAN	939	0281771	1138313	FORD	468
0281495	9161563	OPEL	1049	0281771	1S7C3290AB	JAGUAR	596
0281495	9161563	RENAULT	1209	0281771	1X433289AB	JAGUAR	596
0281495	9161563	VAUXHALL	1561	0281771	4118933	FORD	468
0281503	2D0422811	VOLKSWAGEN	1624	0281771	C2S12013	JAGUAR	596
0281503	9014600048	MERCEDES	840	0281771	C2S47357	JAGUAR	596
0281503	9014600148	MERCEDES	840	0281775	1097316	FORD	422, 466
0281503	9014600348	MERCEDES	840	0281790	2033302003	MERCEDES	768, 836
0281508	381756	CITROEN	257	0281790	2033302403	MERCEDES	768, 836
0281508	381756	PEUGEOT	1086	0281790	2033504003	MERCEDES	768, 836
0281524	48520-00QAP	NISSAN	941, 970	0281792	2033303403	MERCEDES	768
0281524	48520-00QAP	RENAULT	1185, 1199, 1214, 1270, 1272	0281810	GSJ878	ROVER GROUP	1293
0281524	7701047416	NISSAN	941, 970	0281815	QJB100220	LAND ROVER	683
0281524	7701047416	RENAULT	1185, 1199, 1214, 1270, 1272	0281816	QFK100085 *	LAND ROVER	683
0281524	7701474493	NISSAN	941, 970	0281842	4887V002000000	SMART	1399
0281524	7701474493	RENAULT	1185, 1199, 1214, 1270, 1272	0281846	4705716	NISSAN	969
0281531	98845031	FIAT	353	0281846	4705716	OPEL	1009-1010
0281536	4420098	OPEL	1051	0281846	4705716	SUZUKI	1424, 1436
0281536	48520-00Q0E	NISSAN	955	0281846	4705716	VAUXHALL	1538-1539
0281536	485200780R	RENAULT	1211	0281846	4709195	NISSAN	969
0281536	93167689	OPEL	1051	0281846	4709195	OPEL	1009-1010
0281556	53560-SM4-003	HONDA	504-505	0281846	4709195	SUZUKI	1424, 1436
0281556	53560-SM4-003	ROVER GROUP	1292	0281846	4709195	VAUXHALL	1538-1539

RIF. OCAP OCAP REF.	RIF. ORIG. O.E. NUMBER	MARCA MAKE	PAG.	RIF. OCAP OCAP REF.	RIF. ORIG. O.E. NUMBER	MARCA MAKE	PAG.
0281846	48520-4A00B	NISSAN	969	0281864	32216754566	MINI	856
0281846	48520-4A00B	OPEL	1009	0281870	32211096327	BMW	205
0281846	48520-4A00B	SUZUKI	1424, 1436	0281884	1603009	OPEL	1031
0281846	48810-60810	NISSAN	969	0281884	1603009	VAUXHALL	1557
0281846	48810-60810	OPEL	1009	0281884	26087868	OPEL	1031
0281846	48810-60810	SUZUKI	1424, 1436	0281884	26087868	VAUXHALL	1557
0281846	48810-60J00	NISSAN	969	0281886	6000022761	RENAULT	1179, 1192
0281846	48810-60J00	OPEL	1009	0281886	6025370230	RENAULT	1179, 1192
0281846	48810-60J00	SUZUKI	1424, 1436	0281897	6K0422812	SEAT	1329
0281846	48810-63J00	NISSAN	969	0281897	6K0422812	VOLKSWAGEN	1660, 1663
0281846	48810-63J00	OPEL	1009	0281904	6384600048	MERCEDES	845
0281846	48810-63J00	SUZUKI	1424, 1436	0281928	31320-GA190	SUBARU	1410
0281846	93194035	NISSAN	969	0281929	34141-AA041	SUBARU	1410, 1412- 1413, 1418- 1419, 1422
0281846	93194035	OPEL	1009-1010	0281929	34141-AA042	SUBARU	1410, 1412- 1413, 1418- 1419, 1422
0281846	93194035	SUZUKI	1424, 1436	0281929	34161-SA000	SUBARU	1410, 1412- 1413, 1418- 1419, 1422
0281846	93194035	VAUXHALL	1538-1539	0281935	53540-S1A-E01	HONDA	506
0281850	6C0423812A	AUDI	36	0281937	53540-S30-005	HONDA	535
0281850	6C0423812A	SEAT	1331, 1335	0281941	53540-SX8-T01	HONDA	524, 531
0281850	6C0423812A	SKODA	1360-1361, 1364, 1366, 1383, 1385	0281953	1633300003	MERCEDES	804
0281850	6C0423812A	VOLKSWAGEN	1587, 1665- 1666, 1669	0281953	1633300203	MERCEDES	804
0281850	6Q0419812C	AUDI	36	0281953	1633300403	MERCEDES	804
0281850	6Q0419812C	SEAT	1331, 1335	0281953	1633380115	MERCEDES	804
0281850	6Q0419812C	SKODA	1360-1361, 1364, 1366, 1383, 1385	0281973	0K201-32-280	KIA	615, 622, 635- 636
0281850	6Q0419812C	VOLKSWAGEN	1587, 1665- 1666, 1669	0281973	0K9A2-32-280	KIA	615, 622, 635- 636
0281850	6Q0423812	AUDI	36	0281977	0K552-32-280	KIA	617
0281850	6Q0423812	SEAT	1331, 1335	0281993	0K011-32-240A	KIA	641
0281850	6Q0423812	SKODA	1360-1361, 1364, 1366, 1383, 1385	0281994	0K011-32-280	KIA	641
0281850	6Q0423812	VOLKSWAGEN	1587, 1665- 1666, 1669	0282003	71BB3289AB	FORD	426
0281850	6Q0423812A	AUDI	36	0282012	811419812A	AUDI	86-87, 106, 108, 110, 113, 115
0281850	6Q0423812A	SEAT	1331, 1335	0282012	811419812A	VOLKSWAGEN	1633, 1635
0281850	6Q0423812A	SKODA	1360-1361, 1364, 1366, 1383, 1385	0282025	0013307435	MERCEDES	765, 779, 834
0281850	6Q0423812A	VOLKSWAGEN	1587, 1665- 1666, 1669	0282025	0013307735	MERCEDES	765, 779, 834
0281850	6Q0423812C	AUDI	36	0282029	164002309001	ALFA ROMEO	14
0281850	6Q0423812C	SEAT	1331, 1335	0282029	164002309001	FIAT	348
0281850	6Q0423812C	SKODA	1360-1361, 1364, 1366, 1383, 1385	0282029	164002309001	LANCIA	657, 662, 667
0281850	6Q0423812C	VOLKSWAGEN	1587, 1665- 1666, 1669	0282029	60507918	ALFA ROMEO	14
0281850	6R0419812	AUDI	36	0282029	60507918	FIAT	348
0281850	6R0419812	SEAT	1331, 1335	0282029	60507918	LANCIA	657, 662, 667
0281850	6R0419812	SKODA	1360-1361, 1364, 1366, 1383, 1385	0282029	60511622	ALFA ROMEO	14
0281850	6Q0423812D	AUDI	36	0282029	60511622	FIAT	348
0281850	6Q0423812D	SEAT	1331, 1335	0282029	60511622	LANCIA	657, 662, 667
0281850	6Q0423812D	SKODA	1360-1361, 1364, 1366, 1383, 1385	0282029	82387676	ALFA ROMEO	14
0281850	6Q0423812D	VOLKSWAGEN	1587, 1665- 1666, 1669	0282029	82387676	FIAT	348
0281850	6R0419812	AUDI	36	0282029	82387676	LANCIA	657, 662, 667
0281850	6R0419812	SEAT	1331, 1335	0282029	82460439	ALFA ROMEO	14
0281850	6R0419812	SKODA	1360-1361, 1364, 1366, 1383, 1385	0282029	82460439	FIAT	348
0281850	6R0419812	VOLKSWAGEN	1587, 1665- 1666, 1669	0282029	82460439	LANCIA	657, 662, 667
0281858	9949218	FIAT	343, 392	0282029	9946817	ALFA ROMEO	14
0281858	9949218	LANCIA	660	0282029	9946817	FIAT	348
				0282029	9946817	LANCIA	657, 662, 667
				0282066	4A0419812A	AUDI	123
				0282087	2103380615	MERCEDES	786
				0282105	5966980	LANCIA	655
				0282105	7545270	LANCIA	655
				0282123	32106767782	BMW	130, 150, 216
				0282130	1610936180	CITROEN	256

RIF. OCAP OCAP REF.	RIF. ORIG. O.E. NUMBER	MARCA MAKE	PAG.	RIF. OCAP OCAP REF.	RIF. ORIG. O.E. NUMBER	MARCA MAKE	PAG.
0282130	1610936180	PEUGEOT	1093	0282458	45046-87402	DAIHATSU	336
0282130	1610936180	TOYOTA	1463	0282464	53541-S7A-003	HONDA	537
0282130	381764	CITROEN	255-256	0282470	56820-3E900	KIA	637
0282130	381764	PEUGEOT	1092-1093	0282485	56820-38900	HYUNDAI	568, 570
0282130	381764	TOYOTA	1462-1463	0282485	56820-38900	KIA	624
0282130	45046-09295	CITROEN	255-256	0282490	1433273	FORD	453, 470
0282130	45046-09295	PEUGEOT	1092-1093	0282490	30776248	VOLVO	1726, 1732
0282130	45046-09295	TOYOTA	1462-1463	0282490	31280001	VOLVO	1726, 1732
0282137	77363707	ALFA ROMEO	12	0282490	31302345	VOLVO	1726, 1732
0282213	32211701038	BMW	139	0282490	LR002609	LAND ROVER	685
0282240	7701462427	RENAULT	1208	0282496	56820-2E900	HYUNDAI	575
0282248	6023300235	MERCEDES	798-799	0282496	56820-2E-900	KIA	642
0282248	6023300335	MERCEDES	798-799	0282496	56820-2E900	KIA	642
0282287	32106769074	BMW	151, 197	0282503	111500440	SKODA	1396
0282287	32106793624	BMW	151, 197	0282503	111500441	SKODA	1396
0282302	93296756	OPEL	1027	0282510	6315-10040	SUBARU	1420
0282310	4544600205	MITSUBISHI	877	0282510	6315-10070	SUBARU	1420
0282310	4544600205	SMART	1402	0282512	7313-20000	SUBARU	1420
0282310	MR-977606	MITSUBISHI	877	0282513	7313-20010	SUBARU	1420
0282310	MR-977606	SMART	1402	0282528	GSJ733	ROVER GROUP	1284
0282323	4018E0	CITROEN	288	0282529	GSJ732	ROVER GROUP	1284
0282323	4018E0	FIAT	359	0282534	53540-SK3-E01	HONDA	519
0282323	4018E0	PEUGEOT	1072	0282534	53540-SK3-E01	ROVER GROUP	1282-1283, 1288-1289
0282323	77362278	CITROEN	288	0282534	GSJ1011	HONDA	519
0282323	77362278	FIAT	359	0282534	GSJ1011	ROVER GROUP	1282-1283, 1288-1289
0282323	77362278	PEUGEOT	1072	0282534	GSJ288	HONDA	519
0282350	45460-29315	TOYOTA	1516	0282534	GSJ288	ROVER GROUP	1282-1283, 1288-1289
0282350	45470-29085	TOYOTA	1516	0282534	GSJ826	HONDA	519
0282356	1603545	ALFA ROMEO	28	0282534	GSJ826	ROVER GROUP	1282-1283, 1288-1289
0282356	1603545	FIAT	383	0282541	8993560	SAAB	1297
0282356	1603545	OPEL	1008, 1033	0282554	QJB500010	LAND ROVER	680
0282356	77363830	ALFA ROMEO	28	0282555	LR010672	LAND ROVER	680
0282356	77363830	FIAT	383	0282555	QJB500080	LAND ROVER	680
0282356	77363830	OPEL	1008, 1033	0282557	QJB500070	LAND ROVER	693
0282356	90188024	ALFA ROMEO	28	0282558	QJB500040	LAND ROVER	693
0282356	90188024	FIAT	383	0282561	5072444AA	JEEP	604
0282356	90188024	OPEL	1008, 1033	0282561	5072444AA	JEEP	604
0282380	2103381015	MERCEDES	789	0282561	68003671AA	JEEP	604
0282386	32106774335	BMW	205	0282562	52125366AA	JEEP	605
0282386	32216760354	BMW	205	0282563	8AF1-32-280	MAZDA	745
0282388	32216767860	BMW	168	0282565	MR-508136	MITSUBISHI	908
0282391	32116761560	MINI	856	0282572	05143556AC	JEEP	609
0282393	381768	CITROEN	261, 286	0282572	105143556AC	JEEP	609
0282393	381768	PEUGEOT	1100, 1105	0282584	45046-09230	TOYOTA	1459, 1534
0282396	GSJ147	JAGUAR	600	0282585	45046-29425	TOYOTA	1459
0282396	GSJ148	JAGUAR	600	0282614	45046-09360	TOYOTA	1483, 1523
0282397	JLM1098	JAGUAR	600-601	0282614	45046-09480	TOYOTA	1483, 1523
0282397	JLM9660	JAGUAR	600-601	0282614	45046-19265	TOYOTA	1483, 1523
0282398	C2Z5517	JAGUAR	598, 602	0282614	45046-49115	TOYOTA	1483, 1523
0282400	7372162	SAAB	1295	0282615	32106778438	MINI	859
0282400	7717963	SAAB	1295	0282625	45046-39505	TOYOTA	1513
0282400	8993339	SAAB	1295	0282628	45046-49125	TOYOTA	1461
0282443	4666005500	CHEVROLET - DAEWOO 225		0282631	48810-65J00	FIAT	390
0282443	4666005501	CHEVROLET - DAEWOO 225		0282631	48810-65J00	SUZUKI	1429, 1438
0282443	4666005501	SSANGYONG	1405	0282631	48810-79J00	FIAT	390
0282449	45046-87707	DAIHATSU	330, 334-335	0282631	48810-79J00	SUZUKI	1429, 1438
0282449	45046-87707	SUBARU	1417	0282631	48810-79J01	FIAT	390
0282450	485200410R	DACIA	316, 318-319	0282631	48810-79J01	SUZUKI	1429, 1438
0282450	485200410R	RENAULT	1264	0282631	48810-79J01	FIAT	390
0282450	6001547611	DACIA	316, 318-319	0282631	48810-79J01	SUZUKI	1429, 1438
0282450	6001547611	RENAULT	1264	0282631	71742770	FIAT	390
0282450	6001550443	DACIA	316, 318-319	0282631	71742770	SUZUKI	1429, 1438
0282450	6001550443	RENAULT	1264	0282631	71750067	FIAT	390
0282453	8201108332	DACIA	317				

RIF. OCAP OCAP REF.	RIF. ORIG. O.E. NUMBER	MARCA MAKE	PAG.	RIF. OCAP OCAP REF.	RIF. ORIG. O.E. NUMBER	MARCA MAKE	PAG.
0282631	71750067	SUZUKI	1429, 1438	0282769	56820-1E900	HYUNDAI	541
0282637	77364009	CITROEN	290	0282769	56820-1E900	KIA	633
0282637	77364009	FIAT	361	0282769	56820-1G000	HYUNDAI	541
0282637	77364009	PEUGEOT	1074	0282769	56820-1G000	KIA	633
0282641	53540-S47-951	HONDA	538	0282818	MR-508650	MITSUBISHI	901
0282660	381772	CITROEN	268	0282818	MR-548285	MITSUBISHI	901
0282664	48520-AX602	NISSAN	949	0282892	96129753	CHEVROLET - DAEWOO 222,	226, 229
0282665	48520-3U025	NISSAN	938, 949, 953, 995	0282892	96205798	CHEVROLET - DAEWOO 222,	226, 229
0282665	48527-1U61A	NISSAN	938, 949, 953, 995	0282892	96205809	CHEVROLET - DAEWOO 222,	226, 229
0282665	D8640-EW00A	NISSAN	938, 949, 953, 995	0282914	48810-A78B00	CHEVROLET - DAEWOO 227-228,	234
0282666	1643301203	MERCEDES	806	0282914	521136	CHEVROLET - DAEWOO 227-228,	234
0282677	2513300803	MERCEDES	812	0282914	93741077	CHEVROLET - DAEWOO 227-228,	234
0282680	8K0422818A	AUDI	57, 91	0282914	93741091	CHEVROLET - DAEWOO 227-228,	234
0282680	8K0422818B	AUDI	57, 91	0282932	UA01-99-322	MAZDA	731
0282691	2213303903	MERCEDES	824	0282932	UA01-99-323	MAZDA	731
0282717	2E0498104	VOLKSWAGEN	1583	0282932	UB39-99-322	MAZDA	731
0282717	2E0713501	VOLKSWAGEN	1583	0282934	3665759	FORD	474
0282717	9064600048	MERCEDES	842	0282934	3665759	MAZDA	731
0282720	05066373AA	CHRYSLER	238	0282934	8AU2-32-270	FORD	474
0282720	05066373AA	FIAT	366	0282934	8AU232270	FORD	474
0282720	05066373AA	JEEP	606	0282934	8AU2-32-270	MAZDA	731
0282720	05183761AA	CHRYSLER	238	0282934	8AU232270	MAZDA	731
0282720	05183761AA	FIAT	366	0282934	8AU232270	MAZDA	731
0282720	05183761AA	JEEP	606	0282934	UH74-32-250	FORD	474
0282720	5066373AB	CHRYSLER	238	0282934	UH7432250	FORD	474
0282720	5066373AB	FIAT	366	0282934	UH74-32-250	MAZDA	731
0282720	5066373AB	JEEP	606	0282934	UH7432250	MAZDA	731
0282720	506637AA	CHRYSLER	238	0282949	48520-41L00	NISSAN	943
0282720	506637AA	FIAT	366	0282949	48520-41L25	NISSAN	943
0282720	506637AA	JEEP	606	0282949	48520-41L26	NISSAN	943
0282720	5183761AA	CHRYSLER	238	0282949	48520-41L27	NISSAN	943
0282720	5183761AA	FIAT	366	0282950	48520-71L25	NISSAN	943
0282720	5183761AA	JEEP	606	0282957	48520-88E25	NISSAN	945
0282720	5183761AD	CHRYSLER	238	0282959	45046-29275	TOYOTA	1471, 1492, 1520
0282720	5183761AD	FIAT	366	0282959	45046-29335	TOYOTA	1471, 1492, 1520
0282720	5183761AD	JEEP	606	0282970	45046-29215	TOYOTA	1498
0282720	68014944AA	CHRYSLER	238	0282977	45046-29185	TOYOTA	1516
0282720	68014944AA	FIAT	366	0282986	48810-65D00	SUZUKI	1428
0282720	68014944AA	JEEP	606	0282986	48810-67D00	SUZUKI	1428
0282720	K05183761AD	CHRYSLER	238	0282990	48810-78A00	SUZUKI	1427
0282720	K05183761AD	FIAT	366	0282990	48810-78A01	SUZUKI	1427
0282720	K05183761AD	JEEP	606	0282994	45046-59025	TOYOTA	1536
0282720	K68141058AA	CHRYSLER	238	0282994	45046-59026	TOYOTA	1536
0282720	K68141058AA	FIAT	366	0282998	45046-09050	TOYOTA	1458, 1471
0282720	K68141058AA	JEEP	606	0282998	45046-09100	TOYOTA	1458, 1471
0282733	381773	CITROEN	293	0282998	45046-29365	TOYOTA	1458, 1471
0282733	381773	PEUGEOT	1076	0283002	443419812A	AUDI	119, 121
0282733	9403817738	CITROEN	293	0283002	443419812C	AUDI	119, 121
0282733	9403817738	FIAT	389	0283003	443419812B	AUDI	64, 101, 119, 121, 123
0282733	9403817738	PEUGEOT	1076	0283003	443419812D	AUDI	64, 101, 119, 121, 123
0282745	XR81770	JAGUAR	592	0283015	6000022736	RENAULT	1203
0282747	C2C20176	JAGUAR	594, 602	0283019	6000022715	RENAULT	1253
0282747	C2C8370	JAGUAR	594, 602	0283025	271599	VOLVO	1728, 1730, 1745
0282753	381785	CITROEN	295	0283025	3546268	VOLVO	1728, 1730, 1745
0282753	381785	FIAT	365, 368				
0282753	381785	PEUGEOT	1071				
0282753	381787	CITROEN	295				
0282753	381787	FIAT	365, 368				
0282753	381787	PEUGEOT	1071				
0282753	77364569	CITROEN	295				
0282753	77364569	FIAT	365, 368				
0282753	77364569	PEUGEOT	1071				

RIF. OCAP OCAP REF.	RIF. ORIG. O.E. NUMBER	MARCA MAKE	PAG.	RIF. OCAP OCAP REF.	RIF. ORIG. O.E. NUMBER	MARCA MAKE	PAG.
0283036	1J0422812	AUDI	39				1257
0283036	1J0422812	SKODA	1373	0283219	2043301003	MERCEDES	771, 838
0283036	1J0422812	VOLKSWAGEN	1601	0283221	2043303403	MERCEDES	771
0283036	1J0422812A	AUDI	39	0283245	99634713101	PORSCHE	1162-1163, 1168-1169
0283036	1J0422812A	SKODA	1373				
0283036	1J0422812A	VOLKSWAGEN	1601	0283245	99634713103	PORSCHE	1162-1163, 1168-1169
0283043	1092377	FORD	451				
0283043	1092377	SEAT	1307	0283245	99634713104	PORSCHE	1162-1163, 1168-1169
0283043	1092377	VOLKSWAGEN	1676				
0283043	7M0422818	FORD	451	0283250	1545338	FORD	424, 441, 487
0283043	7M0422818	SEAT	1307	0283262	77365224	FIAT	356
0283043	7M0422818	VOLKSWAGEN	1676	0283279	53540-TA0-A01	HONDA	509
0283043	7M0422818A	FORD	451	0283286	53540-SMG-003	HONDA	517
0283043	7M0422818A	SEAT	1307	0283286	53540SMG003	HONDA	517
0283043	7M0422818A	VOLKSWAGEN	1676	0283286	53540-SMJ-003	HONDA	517
0283043	7M0422818B	FORD	451	0283286	53540SMJ003	HONDA	517
0283043	7M0422818B	SEAT	1307	0283288	53540-SNA-A01	HONDA	517
0283043	7M0422818B	VOLKSWAGEN	1676	0283288	53540-SNA-A02	HONDA	517
0283043	7M3422818	FORD	451	0283292	45046-09480	TOYOTA	1537
0283043	7M3422818	SEAT	1307	0283292	45046-59195	TOYOTA	1537
0283043	7M3422818	VOLKSWAGEN	1676	0283293	53540-TF0-003	HONDA	527
0283052	96534703200	PORSCHE	1160	0283293	53540TF0003	HONDA	527
0283053	96434703200	PORSCHE	1160	0283303	45046-87701	DAIHATSU	321
0283066	QEK000050	LAND ROVER	688	0283307	45046-87781	DAIHATSU	320, 323
0283066	STC1872	LAND ROVER	688	0283307	45046-87782	DAIHATSU	320, 323
0283067	QFS000060	LAND ROVER	688	0283307	45046-87783	DAIHATSU	320, 323
0283067	STC1870	LAND ROVER	688	0283307	45046-87784	DAIHATSU	320, 323
0283081	77364522	ALFA ROMEO	9	0283309	45046-87203	DAIHATSU	326
0283082	9947920	ALFA ROMEO	9, 16	0283310	45046-87280	DAIHATSU	326
0283082	9947920	LANCIA	669	0283311	45047-87501	DAIHATSU	331
0283086	1J0422812B	AUDI	39	0283311	45047-87502	DAIHATSU	331
0283086	1J0422812B	SEAT	1340	0283313	45460-19095	DAIHATSU	324
0283086	1J0422812B	SKODA	1373	0283313	45460-19135	DAIHATSU	324
0283086	1J0422812B	VOLKSWAGEN	1575, 1629	0283321	45046-87503	DAIHATSU	332
			1601,	0283321	45046-87504	DAIHATSU	332
0283086	6R0423811A	AUDI	31	0283321	45046-87580	DAIHATSU	332
0283093	45046-49195	TOYOTA	1526-1527	0283352	53540-SD4-003	HONDA	528
0283096	45046-05070	TOYOTA	1460	0283352	53540-SD4-003	ROVER GROUP	1294
0283096	45046-09660	TOYOTA	1460	0283352	DCT7494EVA	HONDA	528
0283099	45046-29325	TOYOTA	1499	0283352	DCT7494EVA	ROVER GROUP	1294
0283099	45046-29375	TOYOTA	1499	0283352	GSJ279	HONDA	528
0283107	45046-19195	TOYOTA	1518	0283352	GSJ279	ROVER GROUP	1294
0283107	45047-19075	TOYOTA	1518	0283361	56820-21000	HYUNDAI	562-563
0283123	48527-JD01A	NISSAN	981, 1006	0283361	56820-21000	MITSUBISHI	886, 897
0283123	48527-JD01A	RENAULT	1202	0283361	56820-21100	HYUNDAI	562-563
0283123	D8520-JG00A	NISSAN	981, 1006	0283361	56820-21100	MITSUBISHI	886, 897
0283123	D8520-JG00A	RENAULT	1202	0283361	56820-21110	HYUNDAI	562-563
0283123	D8520-JY00A	NISSAN	981, 1006	0283361	56820-21110	MITSUBISHI	886, 897
0283123	D8520-JY00A	RENAULT	1202	0283361	56820-21120	HYUNDAI	562-563
0283147	381775	CITROEN	253, 264	0283361	56820-21120	MITSUBISHI	886, 897
0283147	381775	PEUGEOT	1085, 1121	0283361	MB-006314	HYUNDAI	562-563
0283147	381788	CITROEN	253, 264	0283361	MB-006314	MITSUBISHI	886, 897
0283147	381788	PEUGEOT	1085, 1121	0283361	MB-006358	HYUNDAI	562-563
0283205	6000022721	RENAULT	1182, 1198, 1213-1214	0283361	MB-006358	MITSUBISHI	886, 897
0283205	6000022752	RENAULT	1182, 1198, 1213-1214	0283361	MB-076531	HYUNDAI	562-563
0283205	7701041312	RENAULT	1182, 1198, 1213-1214	0283361	MB-076531	MITSUBISHI	886, 897
0283205	7701470766	RENAULT	1182, 1198, 1213-1214	0283361	MB-166426	HYUNDAI	562-563
				0283361	MB-166426	MITSUBISHI	886, 897
				0283361	MB-185441	HYUNDAI	562-563
0283212	4154600105	MERCEDES	839	0283361	MB-185441	MITSUBISHI	886, 897
0283212	4154600105	RENAULT	1201	0283361	MB-241172	HYUNDAI	562-563
0283212	7701478408	MERCEDES	839	0283361	MB-241172	MITSUBISHI	886, 897
0283212	7701478408	RENAULT	1201	0283361	MB-315629	HYUNDAI	562-563
0283216	485204680R	RENAULT	1195, 1219,	0283361	MB-315629	MITSUBISHI	886, 897
				0283361	MB-844695	HYUNDAI	562-563

RIF. OCAP OCAP REF.	RIF. ORIG. O.E. NUMBER	MARCA MAKE	PAG.	RIF. OCAP OCAP REF.	RIF. ORIG. O.E. NUMBER	MARCA MAKE	PAG.
0283361	MB-844695	MINITUBISHI	886, 897	0283446	MB-006315	MINITUBISHI	897
0283361	MT-142181	HYUNDAI	562-563	0283447	MB-288119	MINITUBISHI	897
0283361	MT-142181	MINITUBISHI	886, 897	0283509	48520-A0600	NISSAN	930, 988, 1001, 1003
0283378	0483-99-322	MAZDA	714	0283509	48520-U0100	NISSAN	930, 988, 1001, 1003
0283378	0662-99-322A	MAZDA	714	0283509	48520-U5200	NISSAN	930, 988, 1001, 1003
0283378	2113-99-322A	MAZDA	714	0283509	48640-G2525	NISSAN	930, 988, 1001, 1003
0283378	2469-99-322	MAZDA	714	0283510	48521-G2525	NISSAN	930, 988, 1001, 1003
0283379	8AB1-32-280	KIA	631	0283510	48641-A0600	NISSAN	930, 988, 1001, 1003
0283379	8AB1-32-280	MAZDA	708, 717	0283510	48641-U0100	NISSAN	930, 988, 1001, 1003
0283379	KB092-32-280	KIA	631	0283510	48641-U5200	NISSAN	930, 988, 1001, 1003
0283379	KKY01-32-280	KIA	631	0283526	48520-53E25	NISSAN	933, 971
0283381	0305-99-322A	MAZDA	714, 723	0283540	48520-01B25	NISSAN	947
0283381	2370-99-322	MAZDA	714, 723	0283540	48520-17B25	NISSAN	947
0283395	8AB2-32-280	MAZDA	708, 718-719, 734, 737, 745	0283550	48520-01E00	NISSAN	922, 924, 933, 973, 975-977, 985, 992
0283412	0866-99-322	MAZDA	735	0283550	48520-01E25	NISSAN	922, 924, 933, 973, 975-977, 985, 992
0283414	1175-99-322A	MAZDA	728, 735	0283550	48520-01E26	NISSAN	922, 924, 933, 973, 975-977, 985, 992
0283414	8038-99-322	MAZDA	728, 735	0283550	48520-02E00	NISSAN	922, 924, 933, 973, 975-977, 985, 992
0283433	56820-36000	HYUNDAI	566	0283550	48520-02E25	NISSAN	922, 924, 933, 973, 975-977, 985, 992
0283433	56820-36000	MINITUBISHI	881-883, 897, 912-915, 918- 920	0283550	48520-02J25	NISSAN	922, 924, 933, 973, 975-977, 985, 992
0283433	MB-192430	HYUNDAI	566	0283550	48520-50J25	NISSAN	922, 924, 933, 973, 975-977, 985, 992
0283433	MB-192430	MINITUBISHI	881-883, 897, 912-915, 918- 920	0283550	48520-50Y25	NISSAN	922, 924, 933, 973, 975-977, 985, 992
0283433	MB-192499	HYUNDAI	566	0283550	48520-73J25	NISSAN	922, 924, 933, 973, 975-977, 985, 992
0283433	MB-192499	MINITUBISHI	881-883, 897, 912-915, 918- 920	0283550	48520-9C000	NISSAN	922, 924, 933, 973, 975-977, 985, 992
0283433	MB-489434	HYUNDAI	566	0283550	48520-9C025	NISSAN	922, 924, 933, 973, 975-977, 985, 992
0283433	MB-489434	MINITUBISHI	881-883, 897, 912-915, 918- 920	0283550	48520-9Q000	NISSAN	922, 924, 933, 973, 975-977, 985, 992
0283437	MB-241982	MINITUBISHI	873	0283550	48520-Q9000	NISSAN	922, 924, 933, 973, 975-977, 985, 992
0283440	30870695	HYUNDAI	559	0283553	48520-H5025	NISSAN	928, 986-987, 989, 1004
0283440	30870695	MINITUBISHI	869, 871, 873- 876, 887, 916	0283553	48520-W5025	NISSAN	928, 986-987, 989, 1004
0283440	30870695	VOLVO	1718	0283554	48641-H1001	NISSAN	928, 986-987, 989, 1004
0283440	56820-28000	HYUNDAI	559	0283554	48641-H5025	NISSAN	928, 986-987, 989, 1004
0283440	56820-28000	MINITUBISHI	869, 871, 873- 876, 887, 916	0283554	48641-W5025	NISSAN	928, 986-987, 989, 1004
0283440	56820-28000	VOLVO	1718				
0283440	MB-527169	HYUNDAI	559				
0283440	MB-527169	MINITUBISHI	869, 871, 873- 876, 887, 916				
0283440	MB-527169	VOLVO	1718				
0283440	MB-597605	HYUNDAI	559				
0283440	MB-597605	MINITUBISHI	869, 871, 873- 876, 887, 916				
0283440	MB-597605	VOLVO	1718				
0283440	MB-598023	HYUNDAI	559				
0283440	MB-598023	MINITUBISHI	869, 871, 873- 876, 887, 916				
0283440	MB-598023	VOLVO	1718				
0283440	MB-912076	HYUNDAI	559				
0283440	MB-912076	MINITUBISHI	869, 871, 873- 876, 887, 916				
0283440	MB-912076	VOLVO	1718				
0283440	MR-476457	HYUNDAI	559				
0283440	MR-476457	MINITUBISHI	869, 871, 873- 876, 887, 916				
0283440	MR-476457	VOLVO	1718				
0283440	MR-485672	HYUNDAI	559				
0283440	MR-485672	MINITUBISHI	869, 871, 873- 876, 887, 916				
0283440	MR-485672	VOLVO	1718				

RIF. OCAP OCAP REF.	RIF. ORIG. O.E. NUMBER	MARCA MAKE	PAG.	RIF. OCAP OCAP REF.	RIF. ORIG. O.E. NUMBER	MARCA MAKE	PAG.
			989, 1004	0283675	45460-19185	TOYOTA	1533
0283557	48520-N8425	NISSAN	986	0283677	45460-19195	TOYOTA	1533
0283582	48520-21P25	NISSAN	923	0283677	45460-19205	TOYOTA	1533
0283592	7313-20020	SUBARU	1414	0283727	45460-19145	TOYOTA	1529
0283596	31320-GA101	SUBARU	1421	0283730	45046-19165	TOYOTA	1530
0283616	4701744	OPEL	1009	0283731	45046-19205	TOYOTA	1519, 1530
0283616	4701744	SUBARU	1415-1416	0283731	45046-19206	TOYOTA	1519, 1530
0283616	4701744	SUZUKI	1425, 1430, 1432, 1434- 1435, 1441	0283731	45046-19213	TOYOTA	1519, 1530
0283616	4701744	VAUXHALL	1538	0283802	12801424	FIAT	351
0283616	4705655	OPEL	1009	0283802	12801424	OPEL	1063
0283616	4705655	SUBARU	1415-1416	0283802	12801424	SAAB	1299, 1301
0283616	4705655	SUZUKI	1425, 1430, 1432, 1434- 1435, 1441	0283802	12801424	VAUXHALL	1567
0283616	4705655	VAUXHALL	1538	0283802	1603228	FIAT	351
0283616	48810-60B00	OPEL	1009	0283802	1603228	OPEL	1063
0283616	48810-60B00	SUBARU	1415-1416	0283802	1603228	SAAB	1299, 1301
0283616	48810-60B00	SUZUKI	1425, 1430, 1432, 1434- 1435, 1441	0283802	1603228	VAUXHALL	1567
0283616	48810-60B00	VAUXHALL	1538	0283802	1603228	VAUXHALL	1567
0283616	48810-76G00	OPEL	1009	0283802	5239322	FIAT	351
0283616	48810-76G00	SUBARU	1415-1416	0283802	5239322	OPEL	1063
0283616	48810-76G00	SUZUKI	1425, 1430, 1432, 1434- 1435, 1441	0283802	5239322	SAAB	1299, 1301
0283616	48810-76G00	VAUXHALL	1538	0283802	5239322	VAUXHALL	1567
0283616	48810-76G00	OPEL	1009	0283802	77363712	FIAT	351
0283616	48810-76G00	SUBARU	1415-1416	0283802	77363712	OPEL	1063
0283616	48810-76G00	SUZUKI	1425, 1430, 1432, 1434- 1435, 1441	0283802	77363712	SAAB	1299, 1301
0283616	48810-76G00	VAUXHALL	1538	0283802	77363712	VAUXHALL	1567
0283616	48810-82000	OPEL	1009	0283802	93172255	FIAT	351
0283616	48810-82000	SUBARU	1415-1416	0283802	93172255	OPEL	1063
0283616	48810-82000	SUZUKI	1425, 1430, 1432, 1434- 1435, 1441	0283802	93172255	SAAB	1299, 1301
0283616	48810-82000	VAUXHALL	1538	0283802	93172255	VAUXHALL	1567
0283616	48810-82000	OPEL	1009	0283815	405912	CITROEN	276
0283616	48810-82000	SUBARU	1415-1416	0283815	405912	PEUGEOT	1151
0283616	48810-82000	SUZUKI	1425, 1430, 1432, 1434- 1435, 1441	0283815	77362279	FIAT	388, 399
0283616	48810-82000	VAUXHALL	1538	0283815	77362279	LANCIA	666
0283616	48810-83E00	OPEL	1009	0283819	1202548	FORD	440
0283616	48810-83E00	SUBARU	1415-1416	0283819	1202548	MAZDA	710
0283616	48810-83E00	SUZUKI	1425, 1430, 1432, 1434- 1435, 1441	0283819	DD32-32-280	FORD	440
0283616	48810-83E00	VAUXHALL	1538	0283819	DD32-32-280	MAZDA	710
0283616	48810-83E01	OPEL	1009	0283819	DE90-32-280	FORD	440
0283616	48810-83E01	SUBARU	1415-1416	0283819	DE90-32-280	MAZDA	710
0283616	48810-83E01	SUZUKI	1425, 1430, 1432, 1434- 1435, 1441	0283831	77362503	FIAT	367
0283616	48810-83E01	VAUXHALL	1538	0283831	77362503	LANCIA	665
0283616	48810-83E02	OPEL	1009	0283839	274176	VOLVO	1724
0283616	48810-83E02	SUBARU	1415-1416	0283844	32106774361	BMW	168, 179, 191
0283616	48810-83E02	SUZUKI	1425, 1430, 1432, 1434- 1435, 1441	0283844	32216756369	BMW	168, 179, 191
0283616	48810-83E02	VAUXHALL	1538	0283856	2203380115	MERCEDES	821, 831
0283624	45460-39165	TOYOTA	1464	0283856	2203380515	MERCEDES	821, 831
0283634	45460-19165	TOYOTA	1468, 1489	0283856	2203381015	MERCEDES	821, 831
0283635	45460-19155	TOYOTA	1468, 1489	0283856	2303300203	MERCEDES	821, 831
0283638	45046-29135	TOYOTA	1469, 1477, 1490, 1517	0283867	1138275	FORD	495, 498
0283646	45046-29165	TOYOTA	1470, 1492	0283867	1370741	FORD	495, 498
0283658	45460-19125	DAIHATSU	325	0283867	1490759	FORD	495, 498
0283658	45460-19125	TOYOTA	1476-1477	0283867	1736669	FORD	495, 498
0283660	45046-19105	TOYOTA	1477, 1529	0283867	1743642	FORD	495, 498
0283660	45046-19175	TOYOTA	1477, 1529	0283867	1763989	FORD	495, 498
0283660	45046-19105	TOYOTA	1477, 1529	0283867	4047091	FORD	495, 498
0283660	45046-19215	TOYOTA	1477, 1529	0283875	4408511	NISSAN	954, 972
0283668	45046-29255	LEXUS	703	0283875	4408511	OPEL	1065, 1067
0283668	45046-29255	TOYOTA	1466	0283875	4408511	RENAULT	1193, 1204, 1267, 1269
				0283875	4408511	VAUXHALL	1570
				0283875	48520-00QAL	NISSAN	954, 972
				0283875	48520-00QAL	OPEL	1065, 1067
				0283875	48520-00QAL	RENAULT	1193, 1204, 1267, 1269
				0283875	48520-00QAL	VAUXHALL	1570
				0283875	7701049283	NISSAN	954, 972

RIF. OCAP OCAP REF.	RIF. ORIG. O.E. NUMBER	MARCA MAKE	PAG.	RIF. OCAP OCAP REF.	RIF. ORIG. O.E. NUMBER	MARCA MAKE	PAG.
0283875	7701049283	OPEL	1065, 1067	0284279	1K0423812A	AUDI	34, 42, 46, 89
0283875	7701049283	RENAULT	1193, 1204, 1267, 1269	0284279	1K0423812A	SEAT	1309, 1311, 1318, 1338, 1343, 1347
0283875	7701049283	VAUXHALL	1570	0284279	1K0423812A	SKODA	1369, 1371, 1376, 1380, 1391, 1394
0283875	91160044	NISSAN	954, 972	0284279	1K0423812A	VOLKSWAGEN	1573, 1580, 1605, 1610, 1613, 1616, 1619, 1647, 1652, 1671, 1673, 1678, 1680, 1683, 1690, 1694, 1696
0283875	91160044	OPEL	1065, 1067	0284279	1K0423812C	AUDI	34, 42, 46, 89
0283875	91160044	RENAULT	1193, 1204, 1267, 1269	0284279	1K0423812C	SEAT	1309, 1311, 1318, 1338, 1343, 1347
0283875	91160044	VAUXHALL	1570	0284279	1K0423812C	SKODA	1369, 1371, 1376, 1380, 1391, 1394
0283882	1543821	FORD	459	0284279	1K0423812C	VOLKSWAGEN	1573, 1580, 1605, 1610, 1613, 1616, 1619, 1647, 1652, 1671, 1673, 1678, 1680, 1683, 1690, 1694, 1696
0283882	1546260	FORD	459	0284279	1K0423812E	AUDI	34, 42, 46, 89
0283882	77362508	FIAT	377, 415	0284279	1K0423812E	SEAT	1309, 1311, 1318, 1338, 1343, 1347
0283882	9S513270BA	FORD	459	0284279	1K0423812E	SKODA	1369, 1371, 1376, 1380, 1391, 1394
0283891	900907	OPEL	1035	0284279	1K0423812E	VOLKSWAGEN	1573, 1580, 1605, 1610, 1613, 1616, 1619, 1647, 1652, 1671, 1673, 1678, 1680, 1683, 1690, 1694, 1696
0283891	900907	VAUXHALL	1559	0284279	1K0423812E	AUDI	34, 42, 46, 89
0283891	97184821	OPEL	1035	0284279	1K0423812E	SEAT	1309, 1311, 1318, 1338, 1343, 1347
0283891	97184821	VAUXHALL	1559	0284279	1K0423812E	SKODA	1369, 1371, 1376, 1380, 1391, 1394
0283899	103592	FERRARI	338	0284279	1K0423812E	VOLKSWAGEN	1573, 1580, 1605, 1610, 1613, 1616, 1619, 1647, 1652, 1671, 1673, 1678, 1680, 1683, 1690, 1694, 1696
0283956	56820-0X000	HYUNDAI	550	0284279	1K0423812G	AUDI	34, 42, 46, 89
0283956	56820-0X010	HYUNDAI	550	0284279	1K0423812G	SEAT	1309, 1311, 1318, 1338, 1343, 1347
0283956	56820-0X900	HYUNDAI	550	0284279	1K0423812G	SKODA	1369, 1371, 1376, 1380, 1391, 1394
0283963	1011857	FORD	436, 438, 473	0284279	1K0423812G	VOLKSWAGEN	1573, 1580, 1605, 1610, 1613, 1616, 1619, 1647, 1652, 1671, 1673, 1678, 1680, 1683, 1690, 1694, 1696
0283963	1011857	MAZDA	709	0284279	1K0423812G	AUDI	34, 42, 46, 89
0283963	1E00-32-280A	FORD	436, 438, 473	0284279	1K0423812G	SEAT	1309, 1311, 1318, 1338, 1343, 1347
0283963	1E00-32-280A	MAZDA	709	0284279	1K0423812G	SKODA	1369, 1371, 1376, 1380, 1391, 1394
0284017	8732000422	RENAULT	1178	0284279	1K0423812G	VOLKSWAGEN	1573, 1580, 1605, 1610, 1613, 1616, 1619, 1647, 1652, 1671, 1673, 1678, 1680, 1683, 1690, 1694, 1696
0284019	ES2153RL	FORD	484	0284279	1K0423812J	AUDI	34, 42, 46, 89
0284036	05093857AA	CHRYSLER	236	0284279	1K0423812J	SEAT	1309, 1311, 1318, 1338, 1343, 1347
0284036	4762861-AA	CHRYSLER	236	0284279	1K0423812J	SKODA	1369, 1371, 1376, 1380, 1391, 1394
0284036	4762861AA	CHRYSLER	236	0284279	1K0423812J	VOLKSWAGEN	1573, 1580, 1605, 1610, 1613, 1616, 1619, 1647, 1652, 1671, 1673, 1678, 1680, 1683, 1690, 1694, 1696
0284047	4797706	CHRYSLER	237	0284279	1K0423812J	AUDI	34, 42, 46, 89
0284069	56820-2H090	HYUNDAI	554	0284279	1K0423812J	SEAT	1309, 1311, 1318, 1338, 1343, 1347
0284069	56820-2H090	KIA	619	0284279	1K0423812J	SKODA	1369, 1371, 1376, 1380, 1391, 1394
0284075	56820-2K050	HYUNDAI	552, 557	0284279	1K0423812J	VOLKSWAGEN	1573, 1580, 1605, 1610, 1613, 1616, 1619, 1647, 1652, 1671, 1673, 1678, 1680, 1683, 1690, 1694, 1696
0284075	56820-2K050	KIA	640, 644	0284279	1K0423812J	AUDI	34, 42, 46, 89
0284081	56820-2B900	HYUNDAI	565	0284279	1K0423812J	SEAT	1309, 1311, 1318, 1338, 1343, 1347
0284081	56820-2B900	KIA	639	0284279	1K0423812J	SKODA	1369, 1371, 1376, 1380, 1391, 1394
0284089	56820-3K010	HYUNDAI	571	0284279	1K0423812J	VOLKSWAGEN	1573, 1580, 1605, 1610, 1613, 1616, 1619, 1647, 1652, 1671, 1673, 1678, 1680, 1683, 1690, 1694, 1696
0284099	56820-4D100	KIA	618	0284279	1K0423812J	AUDI	34, 42, 46, 89
0284107	56820-2G900	KIA	616, 626	0284279	1K0423812J	SEAT	1309, 1311, 1318, 1338, 1343, 1347
0284124	4422A010	MITSUBISHI	896	0284279	1K0423812J	SKODA	1369, 1371, 1376, 1380, 1391, 1394
0284139	4422A038	MITSUBISHI	910	0284279	1K0423812J	VOLKSWAGEN	1573, 1580, 1605, 1610, 1613, 1616, 1619, 1647, 1652, 1671, 1673, 1678, 1680, 1683, 1690, 1694, 1696
0284144	48520-01J10	NISSAN	961	0284279	1K0423812J	AUDI	34, 42, 46, 89
0284167	45047-87581	PIAGGIO	1157	0284279	1K0423812J	SEAT	1309, 1311, 1318, 1338, 1343, 1347
0284170	7701474796	RENAULT	1217, 1256	0284279	1K0423812J	SKODA	1369, 1371, 1376, 1380, 1391, 1394
0284178	48520-0M085	NISSAN	924, 926, 946	0284279	1K0423812J	VOLKSWAGEN	1573, 1580, 1605, 1610, 1613, 1616, 1619, 1647, 1652, 1671, 1673, 1678, 1680, 1683, 1690, 1694, 1696
0284178	48520-15U25	NISSAN	924, 926, 946	0284279	1K0423812J	AUDI	34, 42, 46, 89
0284178	48520-15U26	NISSAN	924, 926, 946	0284279	1K0423812J	SEAT	1309, 1311, 1318, 1338, 1343, 1347
0284205	77362381	LANCIA	672	0284279	1K0423812J	SKODA	1369, 1371, 1376, 1380, 1391, 1394
0284208	32106780984	BMW	201, 208	0284279	1K0423812J	VOLKSWAGEN	1573, 1580, 1605, 1610, 1613, 1616, 1619, 1647, 1652, 1671, 1673, 1678, 1680, 1683, 1690, 1694, 1696
0284208	32106793497	BMW	201, 208	0284279	1K0423812J	AUDI	34, 42, 46, 89
0284208	32216773739	BMW	201, 208	0284279	1K0423812J	SEAT	1309, 1311, 1318, 1338, 1343, 1347
0284208	32303418202	BMW	201, 208	0284279	1K0423812J	SKODA	1369, 1371, 1376, 1380, 1391, 1394
0284208	32413413476	BMW	201, 208	0284279	1K0423812J	VOLKSWAGEN	1573, 1580, 1605, 1610, 1613, 1616, 1619, 1647, 1652, 1671, 1673, 1678, 1680, 1683, 1690, 1694, 1696
0284231	32106765090	BMW	130, 150	0284279	1K0423812J	AUDI	34, 42, 46, 89
0284247	96407486	CHEVROLET - DAEWOO 230		0284279	1K0423812J	SEAT	1309, 1311, 1318, 1338, 1343, 1347
0284249	6394600348	MERCEDES	847	0284279	1K0423812J	SKODA	1369, 1371, 1376, 1380, 1391, 1394
0284249	6394600548	MERCEDES	847	0284279	1K0423812J	VOLKSWAGEN	1573, 1580, 1605, 1610, 1613, 1616, 1619, 1647, 1652, 1671, 1673, 1678, 1680, 1683, 1690, 1694, 1696
0284253	96261379	CHEVROLET - DAEWOO 233		0284279	1K0423812J	AUDI	34, 42, 46, 89
0284257	93740623	CHEVROLET - DAEWOO 224		0284279	1K0423812J	SEAT	1309, 1311, 1318, 1338, 1343, 1347
0284258	93740723	CHEVROLET - DAEWOO 218, 224		0284279	1K0423812J	SKODA	1369, 1371, 1376, 1380, 1391, 1394
0284269	4143330135	MERCEDES	844	0284279	1K0423812J	VOLKSWAGEN	1573, 1580, 1605, 1610, 1613, 1616, 1619, 1647, 1652, 1671, 1673, 1678, 1680, 1683, 1690, 1694, 1696
0284269	4144600105	MERCEDES	844	0284279	1K0423812J	AUDI	34, 42, 46, 89
0284273	2203381415	MERCEDES	791	0284279	1K0423812J	SEAT	1309, 1311, 1318, 1338, 1343, 1347
0284273	48210481006	MERCEDES	791	0284279	1K0423812J	SKODA	1369, 1371, 1376, 1380,

RIF. OCAP OCAP REF.	RIF. ORIG. O.E. NUMBER	MARCA MAKE	PAG.	RIF. OCAP OCAP REF.	RIF. ORIG. O.E. NUMBER	MARCA MAKE	PAG.
			1391, 1394				1688
0284279	1K0423812J	VOLKSWAGEN	1573, 1580, 1605, 1610, 1613, 1616, 1619, 1647, 1652, 1671, 1673, 1678, 1680, 1683, 1690, 1694, 1696	0284325	7L0422818D	AUDI	94
				0284325	7L0422818D	PORSCHE	1170
				0284325	7L0422818D	VOLKSWAGEN	1571, 1685, 1688
				0284325	95534713220	PORSCHE	1170
				0284325	95534713221	PORSCHE	1170
				0284330	45460-09010	TOYOTA	1467, 1522
				0284330	45460-29425	TOYOTA	1467, 1522
0284279	1K0423812K	AUDI	34, 42, 46, 89	0284330	45460-39615	TOYOTA	1467, 1522
0284279	1K0423812K	SEAT	1309, 1311, 1318, 1338, 1343, 1347	0284330	45460-39635	TOYOTA	1467
				0284333	7H0422818A	VOLKSWAGEN	1705
				0284333	7H0422818B	VOLKSWAGEN	1705
0284279	1K0423812K	SKODA	1369, 1371, 1376, 1380, 1391, 1394	0284333	7H0422818C	VOLKSWAGEN	1705
				0284333	7H0422818D	VOLKSWAGEN	1705
				0284339	4381840	FORD	485
0284279	1K0423812K	VOLKSWAGEN	1573, 1580, 1605, 1610, 1613, 1616, 1619, 1647, 1652, 1671, 1673, 1678, 1680, 1683, 1690, 1694, 1696	0284347	274192	VOLVO	1731
				0284351	1603240	OPEL	1044
				0284351	1603240	VAUXHALL	1560
				0284351	1603430	OPEL	1044
				0284351	1603430	VAUXHALL	1560
				0284351	26102923	OPEL	1044
				0284351	26102923	VAUXHALL	1560
				0284351	91392417	OPEL	1044
0284279	3C0423812B	AUDI	34, 42, 46, 89	0284351	91392417	VAUXHALL	1560
0284279	3C0423812B	SEAT	1309, 1311, 1318, 1338, 1343, 1347	0284357	1603257	OPEL	1020, 1045, 1068
				0284357	1603257	VAUXHALL	1544
0284279	3C0423812B	SKODA	1369, 1371, 1376, 1380, 1391, 1394	0284357	1603267	OPEL	1020, 1045, 1068
				0284357	1603267	VAUXHALL	1544
0284279	3C0423812B	VOLKSWAGEN	1573, 1580, 1605, 1610, 1613, 1616, 1619, 1647, 1652, 1671, 1673, 1678, 1680, 1683, 1690, 1694, 1696	0284357	1603288	OPEL	1020, 1045, 1068
				0284357	1603288	VAUXHALL	1544
				0284357	93179558	OPEL	1020, 1045, 1068
				0284357	93179558	VAUXHALL	1544
				0284357	93186332	OPEL	1020, 1045, 1068
				0284357	93186332	VAUXHALL	1544
0284285	1315074	FORD	446	0284363	53540-SDA-A01	HONDA	507
0284285	1315074	VOLVO	1716, 1721	0284368	53540-SAA-003	HONDA	526
0284285	1317446	FORD	446	0284379	48520-AX600	NISSAN	949
0284285	1317446	VOLVO	1716, 1721	0284397	48520-BM425	NISSAN	925
0284285	1328877	FORD	446	0284403	7701475843	RENAULT	1188, 1254, 1262
0284285	1328877	VOLVO	1716, 1721				
0284285	1388549	FORD	446	0284408	45046-49025	TOYOTA	1525
0284285	1388549	VOLVO	1716, 1721	0284408	45046-49095	TOYOTA	1525
0284285	274500	FORD	446	0284429	BP4L-32-280	MAZDA	712
0284285	274500	VOLVO	1716, 1721	0284430	GJ6E-32-280A	MAZDA	721
0284285	31201412	FORD	446	0284445	1693300603	MERCEDES	757
0284285	31201412	VOLVO	1716, 1721	0284452	56820-25000	HYUNDAI	540, 544, 561
0284294	53541-S5A-003	HONDA	516, 521	0284461	56820-25000	HYUNDAI	546, 564, 574
0284299	2113300203	MERCEDES	791	0284461	56820-29500	HYUNDAI	546, 564, 574
0284299	2113302403	MERCEDES	791	0284461	56820-2F000	HYUNDAI	546, 564, 574
0284299	2113302603	MERCEDES	791	0284461	56820-3B000	HYUNDAI	546, 564, 574
0284299	2113302803	MERCEDES	791	0284461	56820-3B000	HYUNDAI	546, 564, 574
0284320	45046-49085	TOYOTA	1473	0284461	57780-3B000	HYUNDAI	546, 564, 574
0284321	45046-29235	TOYOTA	1521	0284469	56820-47500	HYUNDAI	547, 549
0284325	7L0422818B	AUDI	94	0284469	56820-47500	MITSUBISHI	899-900
0284325	7L0422818B	PORSCHE	1170	0284469	56820-4A000	HYUNDAI	547, 549
0284325	7L0422818B	VOLKSWAGEN	1571, 1685, 1688	0284469	56820-4A000	MITSUBISHI	899-900
				0284469	56872-43000	HYUNDAI	547, 549
0284325	7L0422818C	AUDI	94	0284469	56872-43000	MITSUBISHI	899-900
0284325	7L0422818C	PORSCHE	1170	0284469	56872-43010	HYUNDAI	547, 549
0284325	7L0422818C	VOLKSWAGEN	1571, 1685,	0284469	56872-43010	MITSUBISHI	899-900
				0284469	57705-56820B	HYUNDAI	547, 549

RIF. OCAP OCAP REF.	RIF. ORIG. O.E. NUMBER	MARCA MAKE	PAG.	RIF. OCAP OCAP REF.	RIF. ORIG. O.E. NUMBER	MARCA MAKE	PAG.
0284469	57705-56820B	MINI	899-900	0285198	45046-09281	TOYOTA	1505
0284469	MB-527650	HYUNDAI	547, 549	0285198	45046-09310	TOYOTA	1505
0284469	MB-527650	MINI	899-900	0285336	485200002R	RENAULT	1206-1207
0284469	MB-864164	HYUNDAI	547, 549	0285337	4803429	CHEVROLET - DAEWOO 220, 235	
0284469	MB-864164	MINI	899-900	0285337	4803429	OPEL	1011, 1047
0284477	274226	VOLVO	1720	0285337	96626667	CHEVROLET - DAEWOO 220, 235	
0284481	274352	VOLVO	1734	0285337	96626667	OPEL	1011, 1047
0284481	274499	VOLVO	1734	0285338	50520353	ALFA ROMEO	25
0284481	30760807	VOLVO	1734	0285339	4513380037	SMART	1400
0284481	30776324	VOLVO	1734	0285339	4513380137	SMART	1400
0284481	31201229	VOLVO	1734	0285340	32212229368	BMW	148
0284490	8AN1-32-280	MAZDA	738-739	0285345	2123302203	MERCEDES	794
0284500	5021415	FORD	477	0285347	QJB500050	LAND ROVER	689
0284500	6127716	FORD	477	0285347	TIQ000030	LAND ROVER	689
0284500	6160988	FORD	477	0285494	568200U590	KIA	634
0284511	48520-0P725	NISSAN	957, 967, 1005	0285494	56820-1W090	KIA	634
0284511	48520-0W025	NISSAN	957, 967, 1005	0285494	56821-1R591	KIA	634
0284511	48520-3S500	NISSAN	957, 967, 1005	0285495	77366166	FIAT	416-417
0284511	48520-3S525	NISSAN	957, 967, 1005	0285495	77366166	JEEP	610
0284511	D8520-0W025	NISSAN	957, 967, 1005	0285495	77366699	FIAT	416-417
0284511	D8520-VK90A	NISSAN	957, 967, 1005	0285495	77366699	JEEP	610
0284519	56820-02500	HYUNDAI	542	0285500	45460-59015	LEXUS	699
0284534	53540-SP0-013	HONDA	529	0285556	32106792674	BMW	203
0284534	53540-SP0-023	HONDA	529	0285560	32109805552	MINI	863
0284539	53540-SZ3-003	HONDA	530	0285560	32109808840	MINI	863
0284547	53540-SS0-003	HONDA	534	0285565	45046-09251	TOYOTA	1505
0284547	53540-SS0-004	HONDA	534	0285565	45046-09261	TOYOTA	1505
0284554	45046-69195	TOYOTA	1512	0285570	8-97304-855-0	ISUZU	580
0284555	45046-69205	TOYOTA	1512	0285570	8-97304-928-0	ISUZU	580
0284564	45460-19235	TOYOTA	1531	0285570	8-98055-746-0	ISUZU	580
0284573	OK710-32-240	KIA	623	0285570	8-98056-551-0	ISUZU	580
0284579	OK72A-32-240	KIA	630	0285574	1S0423812A	AUDI	31
0284600	381791	CITROEN	258	0285574	1S0423812A	SEAT	1352
0284604	32106784796	BMW	171, 176, 181, 193	0285574	1S0423812A	SKODA	1358
0284612	GSJ187	ROVER GROUP	1287	0285574	1S0423812A	VOLKSWAGEN	1707
0284612	GSJ226	ROVER GROUP	1287	0285580	1608025280	CITROEN	267
0284612	GSJ274	ROVER GROUP	1287	0285580	1608025280	PEUGEOT	1102, 1104
0284612	GSJ281	ROVER GROUP	1287	0285583	48520-8355R	RENAULT	1181, 1189
0284616	48640-EA01J	NISSAN	958	0285583	485208355R	RENAULT	1181, 1189
0284642	48520-01N25	NISSAN	999	0285585	NE51-32-280A	MAZDA	741
0284642	48641-01N25	NISSAN	999	0285586	1454896	FORD	476
0284643	48520-27N25	NISSAN	999	0285586	UR56-32-250	FORD	476
0284644	48520-VW000	NISSAN	936, 1000	0285586	UR5632250	FORD	476
0284644	48520-VW025	NISSAN	936, 1000	0285586	UR56-32-250	MAZDA	732
0284647	48520-31C00	NISSAN	1002	0285586	UR5632250	MAZDA	732
0284647	48520-E0100	NISSAN	1002	0285591	52013468AA	CHRYSLER	240
0284647	48520-Y0100	NISSAN	1002	0285591	52013468AB	CHRYSLER	240
0284647	48570-B5000	NISSAN	1002	0285591	52013468AC	CHRYSLER	240
0284647	48570-B9500	NISSAN	1002	0285591	52013468AD	CHRYSLER	240
0284647	48570-B9525	NISSAN	1002	0285593	95967285	CHEVROLET - DAEWOO 232	
0284647	48640-G5101	NISSAN	1002	0285594	95952930	CHEVROLET - DAEWOO 219	
0284647	48640-G5125	NISSAN	1002	0285594	95952936	CHEVROLET - DAEWOO 219	
0284648	48521-G5101	NISSAN	1002	0285595	95218393	CHEVROLET - DAEWOO 219	
0284648	48521-G5125	NISSAN	1002	0285598	D8520-1HA0A	NISSAN	950
0284649	4666008011	SSANGYONG	1404, 1408	0285728	56820-1Y050	KIA	628
0284649	4666009011	SSANGYONG	1404, 1408	0285729	56820-1Y551	KIA	628
0285171	381781	CITROEN	272	0285738	56820-A6090	HYUNDAI	555
0285171	381781	PEUGEOT	1142	0285738	56820-A6090	KIA	620
0285172	8J0423812	AUDI	99	0285739	D8520-1AA0A	NISSAN	952
0285188	45046-09430	TOYOTA	1485, 1535	0285739	D8520-JA00A	NISSAN	952
0285193	56820-4H100	HYUNDAI	548	0285739	D8E20-1AA0A	NISSAN	952
0285198	45046-09280	TOYOTA	1505	0285741	3817.A2	PEUGEOT	1140
				0285741	3817A2	PEUGEOT	1140
				0285742	2463301800	MERCEDES	759, 777
				0285742	A2463301800	MERCEDES	759, 777

RIF. OCAP OCAP REF.	RIF. ORIG. O.E. NUMBER	MARCA MAKE	PAG.	RIF. OCAP OCAP REF.	RIF. ORIG. O.E. NUMBER	MARCA MAKE	PAG.
0285744	68033171AA	CHRYSLER	239	0288073	45046-19415	TOYOTA	1457, 1484
0285744	68033171AB	CHRYSLER	239	0288077	1607502480	CITROEN	265, 285
0285745	1609203	CHEVROLET - DAEWOO	235	0288077	1607502480	MITSUBISHI	866, 888, 902-903
0285745	1609203	OPEL	1047	0288077	1607502480	PEUGEOT	1153-1154
0285745	95915222	CHEVROLET - DAEWOO	235	0288077	381774	CITROEN	265, 285
0285745	95915222	OPEL	1047	0288077	381774	MITSUBISHI	866, 888, 902-903
0285754	77367379	FIAT	397	0288077	381774	PEUGEOT	1153-1154
0285755	48810-68L00	SUZUKI	1437	0288077	4422A018	CITROEN	265, 285
0285760	45046-B9080	DAIHATSU	337	0288077	4422A018	MITSUBISHI	866, 888, 902-903
0285760	45046-B9320	DAIHATSU	337	0288077	4422A018	PEUGEOT	1153-1154
0285769	1610817880	CITROEN	269	0288077	4422A052	CITROEN	265, 285
0285769	1610817880	OPEL	1036	0288077	4422A052	MITSUBISHI	866, 888, 902-903
0285769	1610817880	PEUGEOT	1123, 1152	0288077	4422A052	PEUGEOT	1153-1154
0285769	39176184 *	OPEL	1036	0288077	4422A052	CITROEN	265, 285
0285770	4533307000	RENAULT	1273	0288077	4422A052	MITSUBISHI	866, 888, 902-903
0285770	4533307000	SMART	1401, 1403	0288077	4422A052	PEUGEOT	1153-1154
0285770	485208910R	RENAULT	1273	0288080	13272000	CHEVROLET - DAEWOO	221, 231
0285770	485208910R	SMART	1401, 1403	0288080	13272000	OPEL	1022, 1037, 1070
0285771	2054600705	MERCEDES	774	0288080	13272000	SAAB	1303
0285771	A2054600705	MERCEDES	774	0288080	13278359	CHEVROLET - DAEWOO	221, 231
0285774	53540-T1G-E01	HONDA	523	0288080	13278359	OPEL	1022, 1037, 1070
0285774	53540-T1W-A01	HONDA	523	0288080	13278359	SAAB	1303
0285775	LR026267	LAND ROVER	682, 692	0288080	13286686	CHEVROLET - DAEWOO	221, 231
0285776	97034713201	PORSCHE	1176	0288080	13286686	OPEL	1022, 1037, 1070
0285783	D8520-4EA0A	NISSAN	983	0288080	13286686	SAAB	1303
0285783	D8520-4EA0A	RENAULT	1196	0288080	1609026	CHEVROLET - DAEWOO	221, 231
0285784	1663300403	MERCEDES	809	0288080	1609026	OPEL	1022, 1037, 1070
0285796	39008083	OPEL	1024	0288080	1609026	SAAB	1303
0285801	2054600105	MERCEDES	774, 800	0288080	6606031	CHEVROLET - DAEWOO	221, 231
0286491	E112-32-280	FORD	463	0288080	6606031	OPEL	1022, 1037, 1070
0286491	E112-32-280	MAZDA	746	0288080	6606031	SAAB	1303
0286491	E112-32-960E	FORD	463	0288080	920008	CHEVROLET - DAEWOO	221, 231
0286491	E112-32-960E	MAZDA	746	0288080	920008	OPEL	1022, 1037, 1070
0286491	E116-32-960C	FORD	463	0288080	920008	SAAB	1303
0286491	E116-32-960C	MAZDA	746	0288083	4G0423812A	AUDI	57, 74, 76, 91
0286493	77365815	FIAT	379	0288083	4G0423812A	PORSCHE	1174
0286493	77365815	LANCIA	673	0288085	32106799967	BMW	133, 154, 156
0286494	1501853	FORD	460	0288091	D651-32-280	MAZDA	711
0286494	1541485	FORD	460	0288091	D65132280	MAZDA	711
0286494	8V413C367AA	FORD	460	0288092	56820-2S050	HYUNDAI	556, 558
0286495	4H0422818A	AUDI	84	0288092	56820-2S050	KIA	643
0286499	2043302003	MERCEDES	794, 802	0288092	56820-2T100	HYUNDAI	556, 558
0286499	2123301403	MERCEDES	794, 802	0288092	56820-2T100	KIA	643
0286500	48520-CA025	NISSAN	951	0288092	56820-2T500	HYUNDAI	556, 558
0286500	48520-CB025	NISSAN	951	0288092	56820-2T500	KIA	643
0286616	500337201	IVECO	587	0288092	56820-3Q500	HYUNDAI	556, 558
0286616	8580735	IVECO	587	0288092	56820-3Q500	KIA	643
0287552	42534911	IVECO	587-588	0288095	GS1D-32-280	MAZDA	722
0288063	53540-SWA-A01	HONDA	522	0288097	EG21-32-280	MAZDA	733
0288063	53540-SWA-A02	HONDA	522	0288097	EG21-32-280A	MAZDA	733
0288069	1714576	FORD	449, 461, 486	0288500	485201340R	RENAULT	1194, 1220, 1258
0288069	1748237	FORD	449, 461, 486	0288508	32106854737	MINI	861
0288069	1780102	FORD	449, 461, 486	0288524	32106868687	BMW	174
0288069	1826501	FORD	449, 461, 486	0288534	32106869425	BMW	135, 199
0288071	D8520-1KA0A	NISSAN	940	0288534	32106869425	MINI	865
0288072	4546412	FORD	463	0288675	2N0423812	MAN	705
0288072	4546412	MAZDA	746	0288675	2N0423812	VOLKSWAGEN	1585
0288072	EC01-32-280	FORD	463	0288675	65467100002	MAN	705
0288072	EC01-32-280	MAZDA	746				
0288072	EC01-32-280A	FORD	463				
0288072	EC01-32-280A	MAZDA	746				
0288072	YL8Z-3A130-GA	FORD	463				
0288072	YL8Z-3A130-GA	MAZDA	746				
0288073	45046-09570	TOYOTA	1457, 1484				
0288073	45046-19405	TOYOTA	1457, 1484				

RIF. OCAP OCAP REF.	RIF. ORIG. O.E. NUMBER	MARCA MAKE	PAG.	RIF. OCAP OCAP REF.	RIF. ORIG. O.E. NUMBER	MARCA MAKE	PAG.
0288675	65467100002	VOLKSWAGEN	1585	0290283	53560-S04-003	ROVER GROUP	1290
0288676	6007071-00-A	TESLA	1452	0290283	53560-S04-013	HONDA	512-514, 520
0288676	600707100A	TESLA	1452	0290283	53560-S04-013	ROVER GROUP	1290
0288676	6007071-00-B	TESLA	1452	0290283	53560-SH3-003	HONDA	512-514, 520
0288677	1027841-00-B	TESLA	1452, 1454	0290283	53560-SH3-003	ROVER GROUP	1290
0288830	56821-B4050	HYUNDAI	551	0290283	53560-SH3-013	HONDA	512-514, 520
0288837	2090579	FORD	424, 443	0290283	53560-SH3-013	ROVER GROUP	1290
0288844	4474600148	MERCEDES	849	0290283	53560-SR0-A01	HONDA	512-514, 520
0288846	4474600348	MERCEDES	849	0290283	53560-SR0-A01	ROVER GROUP	1290
0288850	45046-09800	TOYOTA	1507	0290283	53560-SR3-003	HONDA	512-514, 520
0288851	56820-C8900	HYUNDAI	553	0290283	53560-SR3-003	ROVER GROUP	1290
0288853	8W0423812B	AUDI	61	0290283	GSJ495	HONDA	512-514, 520
0288853	8W0423812C	AUDI	61	0290283	GSJ495	ROVER GROUP	1290
0288867	LR033534	LAND ROVER	690, 695	0290289	60809495	ALFA ROMEO	3, 5, 7, 26
0288876	56825-A0000	HYUNDAI	543	0290289	60809495	FIAT	340, 346, 395
0288882	1802974	FORD	455, 472	0290289	60809495	LANCIA	652, 658-659
0288882	5333720	FORD	455, 472	0290289	7591216	ALFA ROMEO	3, 5, 7, 26
0288886	1623141180	CITROEN	259	0290289	7591216	FIAT	340, 346, 395
0288889	77367925	ALFA ROMEO	23	0290289	7591216	LANCIA	652, 658-659
0288896	77368151	ALFA ROMEO	29	0290289	7678718	ALFA ROMEO	3, 5, 7, 26
0289282	45460-39445	LEXUS	700	0290289	7678718	FIAT	340, 346, 395
0289282	45460-39575	LEXUS	700	0290289	7678718	LANCIA	652, 658-659
0289282	45460-59035	LEXUS	700	0290289	9947437	ALFA ROMEO	3, 5, 7, 26
0289283	45463-30130	LEXUS	702	0290289	9947437	FIAT	340, 346, 395
0289284	45460-09060	LEXUS	704	0290289	9947437	LANCIA	652, 658-659
0289284	45460-29435	LEXUS	704	0290289	9950671	ALFA ROMEO	3, 5, 7, 26
0289284	45460-49075	LEXUS	704	0290289	9950671	FIAT	340, 346, 395
0289425	42569563	IVECO	591	0290289	9950671	LANCIA	652, 658-659
0289426	42569562	IVECO	591	0290310	381735	CITROEN	296
0289476	500053864	IVECO	588	0290310	3817-35	PEUGEOT	1089
0290044	1035691	FORD	466, 479	0290310	381735	PEUGEOT	1089
0290044	5030222	FORD	466, 479	0290315	381736	CITROEN	296
0290058	324053	OPEL	1015	0290315	381736	PEUGEOT	1089
0290058	324053	SAAB	1298	0290328	MB-122011	MITSUBISHI	891-892
0290058	324053	VAUXHALL	1542	0290328	MB-122012	MITSUBISHI	891-892
0290058	324055	OPEL	1015	0290357	B001-99-325	MAZDA	716
0290058	324055	SAAB	1298	0290357	B037-99-325	MAZDA	716
0290058	324055	VAUXHALL	1542	0290367	6000022730	RENAULT	1270
0290058	4242749	OPEL	1015	0290371	32111139313	BMW	142, 212
0290058	4242749	SAAB	1298	0290381	5027451	FORD	464
0290058	4242749	VAUXHALL	1542	0290383	60565706	ALFA ROMEO	7, 26
0290058	90369704	OPEL	1015	0290383	60565706	FIAT	346
0290058	90369704	SAAB	1298	0290383	60565706	LANCIA	659
0290058	90369704	VAUXHALL	1542	0290383	60809612	ALFA ROMEO	7, 26
0290058	90373519	OPEL	1015	0290383	60809612	FIAT	346
0290058	90373519	SAAB	1298	0290383	60809612	LANCIA	659
0290058	90373519	VAUXHALL	1542	0290383	9947435	ALFA ROMEO	7, 26
0290059	322147	OPEL	1015	0290383	9947435	FIAT	346
0290059	322147	SAAB	1298	0290383	9947435	LANCIA	659
0290059	322147	VAUXHALL	1542	0290383	9950669	ALFA ROMEO	7, 26
0290059	4242673	OPEL	1015	0290383	9950669	FIAT	346
0290059	4242673	SAAB	1298	0290383	9950669	LANCIA	659
0290059	4242673	VAUXHALL	1542	0290456	8-94419-409-0	ISUZU	578, 581, 586
0290059	90373521	OPEL	1015	0290456	8-94459-481-0	ISUZU	578, 581, 586
0290059	90373521	SAAB	1298	0290475	46456189	FIAT	371, 373, 394
0290059	90373521	VAUXHALL	1542	0290475	46745365	FIAT	371, 373, 394
0290080	5021445	FORD	489-490	0290656	5021414	FORD	430, 477, 480
0290080	5021449	FORD	489-490	0290656	6120232	FORD	430, 477, 480
0290080	5025558	FORD	489-490	0290758	324036	OPEL	1041
0290080	6156456	FORD	489-490	0290758	324036	VAUXHALL	1540
0290080	6172647	FORD	489-490	0290758	90094762	OPEL	1041
0290080	6172648	FORD	489-490	0290758	90094762	VAUXHALL	1540
0290165	366602134	MASERATI	706	0290759	322122	OPEL	1041-1042
0290236	1683301135	MERCEDES	755	0290759	322122	VAUXHALL	1540
0290283	53560-S04-003	HONDA	512-514, 520	0290759	322123	OPEL	1041-1042

RIF. OCAP OCAP REF.	RIF. ORIG. O.E. NUMBER	MARCA MAKE	PAG.	RIF. OCAP OCAP REF.	RIF. ORIG. O.E. NUMBER	MARCA MAKE	PAG.
0290759	90105367	OPEL	1041-1042	0291395	32211091723	BMW	166
0290759	90105367	VAUXHALL	1540	0291405	701419811A	VOLKSWAGEN	1701
0290759	90105368	VAUXHALL	1540	0291407	701419811B	VOLKSWAGEN	1701
0290762	324040	OPEL	1042	0291411	701419811C	VOLKSWAGEN	1703
0290762	324040	VAUXHALL	1540	0291413	701419811E	VOLKSWAGEN	1703
0290762	90140432	OPEL	1042	0291422	324058	OPEL	1034
0290762	90140432	VAUXHALL	1540	0291422	324058	VAUXHALL	1558
0290771	26001807	CHEVROLET - DAEWOO	223	0291422	920374	OPEL	1034
0290771	26001807	GENERAL MOTORS	501	0291422	920374	VAUXHALL	1558
0290771	26001807	OPEL	1014, 1043	0291422	94419409	OPEL	1034
0290771	26001807	VAUXHALL	1541, 1551	0291422	94419409	VAUXHALL	1558
0290771	324039	CHEVROLET - DAEWOO	223	0291422	97020954	OPEL	1034
0290771	324039	GENERAL MOTORS	501	0291422	97020954	VAUXHALL	1558
0290771	324039	OPEL	1014, 1043	0291470	2110-3414057	LADA	647, 650
0290771	324039	VAUXHALL	1541, 1551	0291470	21103414057	LADA	647, 650
0290771	90140007	CHEVROLET - DAEWOO	223	0291471	2110-3414059	LADA	650
0290771	90140007	GENERAL MOTORS	501	0291472	111803414057	LADA	645
0290771	90140007	OPEL	1014, 1043	0291472	1118-3414057	LADA	645
0290771	90140007	VAUXHALL	1541, 1551	0291473	2110-3414053 *	LADA	647
0290771	96275018	CHEVROLET - DAEWOO	223	0291495	4501262	NISSAN	939
0290771	96275018	GENERAL MOTORS	501	0291495	4501262	OPEL	1049
0290771	96275018	OPEL	1014, 1043	0291495	4501262	RENAULT	1209
0290771	96275018	VAUXHALL	1541, 1551	0291495	4501262	VAUXHALL	1561
0290772	07848281	CHEVROLET - DAEWOO	223	0291495	48520-00QAH	NISSAN	939
0290772	07848281	GENERAL MOTORS	501	0291495	48520-00QAH	OPEL	1049
0290772	07848281	OPEL	1014, 1043	0291495	48520-00QAH	RENAULT	1209
0290772	07848281	VAUXHALL	1541, 1551	0291495	48520-00QAH	VAUXHALL	1561
0290772	322125	CHEVROLET - DAEWOO	223	0291495	7701470363	NISSAN	939
0290772	322125	GENERAL MOTORS	501	0291495	7701470363	OPEL	1049
0290772	322125	OPEL	1014, 1043	0291495	7701470363	RENAULT	1209
0290772	322125	VAUXHALL	1541, 1551	0291495	7701470363	VAUXHALL	1561
0290772	90125567	CHEVROLET - DAEWOO	223	0291495	9161562	NISSAN	939
0290772	90125567	GENERAL MOTORS	501	0291495	9161562	OPEL	1049
0290772	90125567	OPEL	1014, 1043	0291495	9161562	RENAULT	1209
0290772	90125567	VAUXHALL	1541, 1551	0291495	9161562	VAUXHALL	1561
0290871	6N0419811	VOLKSWAGEN	1626, 1659	0291508	381755	CITROEN	257
0290871	6N0422811	SEAT	1313, 1315	0291508	381755	PEUGEOT	1086
0290871	6N0422811	VOLKSWAGEN	1626, 1659	0291524	48520-00QAN	NISSAN	941, 970
0290873	191419811	SEAT	1326, 1355	0291524	48520-00QAN	RENAULT	1185, 1199, 1214, 1270, 1272
0290873	191419811	VOLKSWAGEN	1578, 1593, 1596, 1599, 1636, 1639	0291524	7701047415	NISSAN	941, 970
0290873	3A0422811	SEAT	1326, 1355	0291524	7701047415	RENAULT	1185, 1199, 1214, 1270, 1272
0290873	3A0422811	VOLKSWAGEN	1578, 1593, 1596, 1599, 1636, 1639	0291524	7701474492	NISSAN	941, 970
0291022	32111091769	BMW	164	0291524	7701474492	RENAULT	1185, 1199, 1214, 1270, 1272
0291031	32211141345	BMW	188	0291531	98845032	FIAT	353
0291054	1074306	FORD	444	0291536	4420097	OPEL	1051
0291059	6X0422811	SEAT	1315	0291536	48520-00QOF	NISSAN	955
0291059	6X0422811	VOLKSWAGEN	1626, 1660	0291536	485206730R	RENAULT	1211
0291059	8Z0419812A	AUDI	36	0291536	93167688	OPEL	1051
0291125	46430429	FIAT	340	0291556	53560-SM4-003	HONDA	504-505
0291125	9947440	FIAT	340	0291556	53560-SM4-003	ROVER GROUP	1292
0291222	48640-01F25	NISSAN	932, 944, 986	0291556	53560-SM4-004	HONDA	504-505
0291222	48640-W1025	NISSAN	932, 944, 986	0291556	53560-SM4-004	ROVER GROUP	1292
0291265	0866-99-324	MAZDA	715, 723	0291556	53560-SV4-003	HONDA	504-505
0291265	4084-99-324B	MAZDA	715, 723	0291556	53560-SV4-003	ROVER GROUP	1292
0291265	8531-99-324	MAZDA	715, 723	0291556	53560-SV4-003	ROVER GROUP	1292
0291300	7701471126	RENAULT	1184	0291556	53560-SX0-013	HONDA	504-505
0291370	9947765	ALFA ROMEO	3, 26	0291556	53560-SX0-013	ROVER GROUP	1292
0291382	8N0422811A	AUDI	97	0291556	GSJ407	HONDA	504-505
0291382	8N0422811A	SEAT	1340	0291556	GSJ407	ROVER GROUP	1292
0291387	32106774220	BMW	145, 214	0291678	6589457	FORD	491
0291387	32211095957	BMW	145, 214	0291712	1015547	FORD	430

RIF. OCAP OCAP REF.	RIF. ORIG. O.E. NUMBER	MARCA MAKE	PAG.	RIF. OCAP OCAP REF.	RIF. ORIG. O.E. NUMBER	MARCA MAKE	PAG.
0291712	5024333	FORD	430	0291937	53560-S30-005	HONDA	535
0291712	6555938	FORD	430	0291953	1633300103	MERCEDES	804
0291712	7243565	FORD	430	0291953	1633380015	MERCEDES	804
0291775	1097323	FORD	422, 466	0291953	1633380315	MERCEDES	804
0291790	2033301903	MERCEDES	768, 836	0291977	0K552-32-240	KIA	617
0291790	2033302303	MERCEDES	768, 836	0291993	0K011-32-250A	KIA	641
0291790	2033303903	MERCEDES	768, 836	0291994	0K011-32-230	KIA	641
0291792	2033303303	MERCEDES	768	0292066	4A0419811A	AUDI	123
0291810	GSJ877	ROVER GROUP	1293	0292087	2103380515	MERCEDES	786
0291815	QJB100230	LAND ROVER	683	0292123	32106767781	BMW	130, 150, 216
0291816	QFK100095 *	LAND ROVER	683	0292130	1610936080	CITROEN	256
0291850	6C0423811A	AUDI	36	0292130	1610936080	PEUGEOT	1093
0291850	6C0423811A	SEAT	1331, 1335	0292130	1610936080	TOYOTA	1463
0291850	6C0423811A	SKODA	1360-1361, 1364, 1366, 1383, 1385	0292130	381763	CITROEN	255-256
0291850	6C0423811A	VOLKSWAGEN	1587, 1665- 1666, 1669	0292130	381763	PEUGEOT	1092-1093
0291850	6Q0419811C	AUDI	36	0292130	381763	TOYOTA	1462-1463
0291850	6Q0419811C	SEAT	1331, 1335	0292130	45047-09125	CITROEN	255-256
0291850	6Q0419811C	SKODA	1360-1361, 1364, 1366, 1383, 1385	0292130	45047-09125	PEUGEOT	1092-1093
0291850	6Q0419811C	VOLKSWAGEN	1587, 1665- 1666, 1669	0292130	45047-09125	TOYOTA	1462-1463
0291850	6Q0423811	AUDI	36	0292137	77363706	ALFA ROMEO	12
0291850	6Q0423811	SEAT	1331, 1335	0292213	32211701037	BMW	139
0291850	6Q0423811	SKODA	1360-1361, 1364, 1366, 1383, 1385	0292287	32106769073	BMW	151, 197
0291850	6Q0423811	VOLKSWAGEN	1587, 1665- 1666, 1669	0292287	32106793623	BMW	151, 197
0291850	6Q0423811	AUDI	36	0292356	1603544	ALFA ROMEO	28
0291850	6Q0423811	SEAT	1331, 1335	0292356	1603544	FIAT	383
0291850	6Q0423811	SKODA	1360-1361, 1364, 1366, 1383, 1385	0292356	1603544	OPEL	1008, 1033
0291850	6Q0423811	VOLKSWAGEN	1587, 1665- 1666, 1669	0292356	77363829	ALFA ROMEO	28
0291850	6Q0423811A	AUDI	36	0292356	77363829	FIAT	383
0291850	6Q0423811A	SEAT	1331, 1335	0292356	77363829	OPEL	1008, 1033
0291850	6Q0423811A	SKODA	1360-1361, 1364, 1366, 1383, 1385	0292356	93188023	ALFA ROMEO	28
0291850	6Q0423811A	VOLKSWAGEN	1587, 1665- 1666, 1669	0292356	93188023	FIAT	383
0291850	6Q0423811A	AUDI	36	0292356	93188023	OPEL	1008, 1033
0291850	6Q0423811A	SEAT	1331, 1335	0292380	2103380915	MERCEDES	789
0291850	6Q0423811A	SKODA	1360-1361, 1364, 1366, 1383, 1385	0292391	32116761559	MINI	856
0291850	6Q0423811A	VOLKSWAGEN	1587, 1665- 1666, 1669	0292393	381767	CITROEN	261, 286
0291850	6Q0423811C	AUDI	36	0292393	381767	PEUGEOT	1100, 1102, 1105
0291850	6Q0423811C	SEAT	1331, 1335	0292398	C2Z5518	JAGUAR	598, 602
0291850	6Q0423811C	SKODA	1360-1361, 1364, 1366, 1383, 1385	0292449	45047-87706	DAIHATSU	330, 334-335
0291850	6Q0423811C	VOLKSWAGEN	1587, 1665- 1666, 1669	0292449	45047-87706	SUBARU	1417
0291850	6Q0423811D	AUDI	36	0292450	485202867R	DACIA	316, 318-319
0291850	6Q0423811D	SEAT	1331, 1335	0292450	485202867R	RENAULT	1264
0291850	6Q0423811D	SKODA	1360-1361, 1364, 1366, 1383, 1385	0292450	6001547610	DACIA	316, 318-319
0291850	6Q0423811D	VOLKSWAGEN	1587, 1665- 1666, 1669	0292450	6001547610	RENAULT	1264
0291850	6R0423811	AUDI	36	0292450	6001550442	DACIA	316, 318-319
0291850	6R0423811	SEAT	1331, 1335	0292450	6001550442	RENAULT	1264
0291850	6R0423811	SKODA	1360-1361, 1364, 1366, 1383, 1385	0292453	8201108339	DACIA	317
0291850	6R0423811	VOLKSWAGEN	1587, 1665- 1666, 1669	0292470	56820-3E000	KIA	637
0291864	32216754565	MINI	856	0292485	56820-38000	HYUNDAI	568, 570
0291886	6000022762	RENAULT	1179, 1192	0292485	56820-38000	KIA	624
0291886	6025370229	RENAULT	1179, 1192	0292490	1433274	FORD	453, 470
0291897	6K0422811	SEAT	1329	0292490	30776249	VOLVO	1726, 1732
0291897	6K0422811	VOLKSWAGEN	1660, 1663	0292490	31280000	VOLVO	1726, 1732
0291928	31320-GA200	SUBARU	1410	0292490	31302344	VOLVO	1726, 1732
0291935	53560-S1A-E01	HONDA	506	0292490	LR002610	LAND ROVER	685
				0292496	56820-2E000	HYUNDAI	575
				0292496	56820-2E-000	KIA	642
				0292496	56820-2E000	KIA	642
				0292561	05189419AA	JEEP	604
				0292561	50724445AA	JEEP	604
				0292561	5072445AA	JEEP	604
				0292562	52125367AA	JEEP	605
				0292565	MR-508135	MITSUBISHI	908
				0292572	05143555AC	JEEP	609
				0292572	105143556AC	JEEP	609

RIF. OCAP OCAP REF.	RIF. ORIG. O.E. NUMBER	MARCA MAKE	PAG.	RIF. OCAP OCAP REF.	RIF. ORIG. O.E. NUMBER	MARCA MAKE	PAG.
0292614	45047-02010	TOYOTA	1483, 1523	0292998	45047-29125	TOYOTA	1458, 1471
0292614	45047-09150	TOYOTA	1483, 1523	0293002	443419811A	AUDI	119, 121
0292614	45047-19115	TOYOTA	1483, 1523	0293002	443419811C	AUDI	119, 121
0292614	45047-49045	TOYOTA	1483, 1523	0293003	443419811B	AUDI	64, 101, 119, 121, 123
0292615	32106778437	MINI	859	0293003	443419811D	AUDI	64, 101, 119, 121, 123
0292628	45047-49055	TOYOTA	1461	0293015	6000022737	RENAULT	1203
0292637	77364253	CITROEN	290	0293019	6000022714	RENAULT	1253
0292637	77364253	FIAT	361	0293025	271598	VOLVO	1728, 1730, 1745
0292637	77364253	PEUGEOT	1074	0293025	3546267	VOLVO	1728, 1730, 1745
0292660	381771	CITROEN	268	0293036	1J0422811	AUDI	39
0292664	48640-AX602	NISSAN	949	0293036	1J0422811	SKODA	1373
0292665	48640-3U025	NISSAN	938, 949, 953, 995	0293036	1J0422811A	AUDI	39
0292665	48647-1U61A	NISSAN	938, 949, 953, 995	0293036	1J0422811A	VOLKSWAGEN	1601
0292665	D8520-EW00A	NISSAN	938, 949, 953, 995	0293043	1092380	FORD	451
0292666	1643301103	MERCEDES	806	0293043	1092380	SEAT	1307
0292677	2513300703	MERCEDES	812	0293043	1092380	VOLKSWAGEN	1676
0292680	8K0422817A	AUDI	57, 91	0293043	1234259	FORD	451
0292680	8K0422817B	AUDI	57, 91	0293043	1234259	SEAT	1307
0292745	XR81771	JAGUAR	592	0293043	1234259	VOLKSWAGEN	1676
0292747	C2C20177	JAGUAR	594, 602	0293043	7M0422817	FORD	451
0292747	C2C8371	JAGUAR	594, 602	0293043	7M0422817	SEAT	1307
0292753	381784	CITROEN	295	0293043	7M0422817	VOLKSWAGEN	1676
0292753	381784	FIAT	365, 368	0293043	7M0422817A	FORD	451
0292753	381784	PEUGEOT	1071	0293043	7M0422817A	SEAT	1307
0292753	381786	CITROEN	295	0293043	7M0422817A	VOLKSWAGEN	1676
0292753	381786	FIAT	365, 368	0293043	7M0422817B	FORD	451
0292753	381786	PEUGEOT	1071	0293043	7M0422817B	SEAT	1307
0292753	77364568	CITROEN	295	0293043	7M0422817B	VOLKSWAGEN	1676
0292753	77364568	FIAT	365, 368	0293043	7M3422817	FORD	451
0292753	77364568	PEUGEOT	1071	0293043	7M3422817	SEAT	1307
0292769	56820-1E000	HYUNDAI	541	0293043	7M3422817	VOLKSWAGEN	1676
0292769	56820-1E000	KIA	633	0293066	QEK000040	LAND ROVER	688
0292769	56820-1G900	HYUNDAI	541	0293066	STC1873	LAND ROVER	688
0292769	56820-1G900	KIA	633	0293081	77364521	ALFA ROMEO	9
0292933	3669093	FORD	474	0293082	9947919	ALFA ROMEO	9, 16
0292933	3669093	MAZDA	731, 744	0293082	9947919	LANCIA	669
0292933	E17Z-3A-131A	FORD	474	0293086	1J0422811B	AUDI	39
0292933	E17Z-3A-131A	MAZDA	731, 744	0293086	1J0422811B	SEAT	1340
0292933	UA01-99-324	FORD	474	0293086	1J0422811B	SKODA	1373
0292933	UA01-99-324	MAZDA	731, 744	0293086	1J0422811B	VOLKSWAGEN	1575, 1601, 1629
0292933	UB39-99-324	FORD	474	0293086	6R0423812A	AUDI	31
0292933	UB3999324	FORD	474	0293093	45047-49135	TOYOTA	1526-1527
0292933	UB39-99-324	MAZDA	731, 744	0293096	45047-05060	TOYOTA	1460
0292933	UB3999324	MAZDA	731, 744	0293096	45047-09320	TOYOTA	1460
0292933	UH71-32-280	FORD	474	0293107	45046-19195	TOYOTA	1518
0292933	UH7132280	FORD	474	0293107	45047-19075	TOYOTA	1518
0292933	UH71-32-280	MAZDA	731, 744	0293123	48647-JD01A	NISSAN	981, 1006
0292933	UH7132280	MAZDA	731, 744	0293123	48647-JD01A	RENAULT	1202
0292935	8AU1-32-280	MAZDA	731	0293123	D8640-JG00A	NISSAN	981, 1006
0292935	UH74-32-280	MAZDA	731	0293123	D8640-JG00A	RENAULT	1202
0292959	45047-29075	TOYOTA	1471, 1492, 1520	0293123	D8640-JY00A	NISSAN	981, 1006
0292959	45047-29105	TOYOTA	1471, 1492, 1520	0293123	D8640-JY00A	RENAULT	1202
0292986	48820-65D00	SUZUKI	1428	0293147	381776	CITROEN	253, 264
0292986	48820-67D00	SUZUKI	1428	0293147	381776	PEUGEOT	1085, 1121
0292990	48820-78A00	SUZUKI	1427	0293147	381789	CITROEN	253, 264
0292990	48820-78A01	SUZUKI	1427	0293147	381789	PEUGEOT	1085, 1121
0292994	45047-59025	TOYOTA	1536	0293205	6000022720	RENAULT	1182, 1198, 1213-1214
0292994	45047-59026	TOYOTA	1536	0293205	6000022753	RENAULT	1182, 1198, 1213-1214
0292998	45047-09010	TOYOTA	1458, 1471	0293205	7701041311	RENAULT	1182, 1198,
0292998	45047-09030	TOYOTA	1458, 1471				

RIF. OCAP OCAP REF.	RIF. ORIG. O.E. NUMBER	MARCA MAKE	PAG.	RIF. OCAP OCAP REF.	RIF. ORIG. O.E. NUMBER	MARCA MAKE	PAG.
			1213-1214				
0293205	7701470765	RENAULT	1182, 1198, 1213-1214	0293553	48640-H5025	NISSAN	928, 986-987, 989, 1004
0293212	4154600005	MERCEDES	839	0293553	48640-W5025	NISSAN	928, 986-987, 989, 1004
0293212	4154600005	RENAULT	1201	0293554	48521-H1001	NISSAN	928, 986-987, 989, 1004
0293212	7701478407	MERCEDES	839	0293554	48521-H5025	NISSAN	928, 986-987, 989, 1004
0293212	7701478407	RENAULT	1201	0293554	48521-W5025	NISSAN	928, 986-987, 989, 1004
0293216	485202710R	RENAULT	1219, 1257	0293557	48640-N8425	NISSAN	986
0293216	485204710R	RENAULT	1195	0293596	31320-GA111	SUBARU	1421
0293219	2043300903	MERCEDES	771, 838	0293646	45047-29045	TOYOTA	1470, 1492
0293221	2043303303	MERCEDES	771	0293675	45470-19035	TOYOTA	1533
0293250	1545339	FORD	424, 441, 487	0293677	45470-19045	TOYOTA	1533
0293262	77365223	FIAT	356	0293677	45470-19055	TOYOTA	1533
0293279	53560-TA0-A01	HONDA	509	0293802	12801423	FIAT	351
0293286	53560-SMG-003	HONDA	517	0293802	12801423	OPEL	1063
0293286	53560SMG003	HONDA	517	0293802	12801423	SAAB	1299, 1301
0293286	53560-SMJ-003	HONDA	517	0293802	12801423	VAUXHALL	1567
0293286	53560SMJ003	HONDA	517	0293802	1603227	FIAT	351
0293288	53560-SNA-A01	HONDA	517	0293802	1603227	OPEL	1063
0293288	53560-SNA-A02	HONDA	517	0293802	1603227	SAAB	1299, 1301
0293292	45047-09220	TOYOTA	1537	0293802	1603227	VAUXHALL	1567
0293292	45047-59135	TOYOTA	1537	0293802	5239314	FIAT	351
0293293	53560-TF0-003	HONDA	527	0293802	5239314	OPEL	1063
0293293	53560TF0003	HONDA	527	0293802	5239314	SAAB	1299, 1301
0293307	45047-87781	DAIHATSU	320, 323	0293802	5239314	VAUXHALL	1567
0293307	45047-87782	DAIHATSU	320, 323	0293802	77363713	FIAT	351
0293307	45047-87783	DAIHATSU	320, 323	0293802	77363713	OPEL	1063
0293307	45047-87784	DAIHATSU	320, 323	0293802	77363713	SAAB	1299, 1301
0293311	45057-87501	DAIHATSU	331	0293802	77363713	VAUXHALL	1567
0293311	45057-87502	DAIHATSU	331	0293802	93172254	FIAT	351
0293321	45047-87503	DAIHATSU	332	0293802	93172254	OPEL	1063
0293321	45047-87504	DAIHATSU	332	0293802	93172254	SAAB	1299, 1301
0293321	45047-87580	DAIHATSU	332	0293802	93172254	VAUXHALL	1567
0293352	53560-SD4-003	HONDA	528	0293819	1202549	FORD	440
0293352	53560-SD4-003	ROVER GROUP	1294	0293819	1202549	MAZDA	710
0293352	DCT7495EVA	HONDA	528	0293819	DD32-32-290	FORD	440
0293352	DCT7495EVA	ROVER GROUP	1294	0293819	DD32-32-290	MAZDA	710
0293352	GSJ280	HONDA	528	0293819	DE90-32-290	FORD	440
0293352	GSJ280	ROVER GROUP	1294	0293819	DE90-32-290	MAZDA	710
0293380	0305-99-324A	MAZDA	714, 723	0293839	274175	VOLVO	1724
0293380	0483-99-324	MAZDA	714, 723	0293875	4408510	NISSAN	954, 972
0293380	2370-99-324	MAZDA	714, 723	0293875	4408510	OPEL	1065, 1067
0293411	0866-99-324A	MAZDA	735	0293875	4408510	RENAULT	1193, 1204, 1267, 1269
0293411	1524-99-324	MAZDA	735	0293875	4408510	VAUXHALL	1570
0293413	1175-99-324A	MAZDA	728, 735	0293875	48520-00QAK	NISSAN	954, 972
0293425	8021-99-324	MAZDA	714, 745	0293875	48520-00QAK	OPEL	1065, 1067
0293469	MB-076004	MINI	878, 885	0293875	48520-00QAK	RENAULT	1193, 1204, 1267, 1269
0293469	MB-076664	MINI	878, 885	0293875	48520-00QAK	VAUXHALL	1570
0293469	MB-378702	MINI	878, 885	0293875	7701049282	NISSAN	954, 972
0293470	MB-109858	MINI	880, 885, 921	0293875	7701049282	OPEL	1065, 1067
0293509	48520-G2525	NISSAN	930, 988, 1001, 1003	0293875	7701049282	RENAULT	1193, 1204, 1267, 1269
0293509	48640-A0600	NISSAN	930, 988, 1001, 1003	0293875	7701049282	VAUXHALL	1570
0293509	48640-U0100	NISSAN	930, 988, 1001, 1003	0293875	91160043	NISSAN	954, 972
0293509	48640-U5200	NISSAN	930, 988, 1001, 1003	0293875	91160043	OPEL	1065, 1067
0293510	48521-A0600	NISSAN	930, 988, 1001, 1003	0293875	91160043	RENAULT	1193, 1204, 1267, 1269
0293510	48521-U0100	NISSAN	930, 988, 1001, 1003	0293875	91160043	VAUXHALL	1570
0293510	48521-U5200	NISSAN	930, 988, 1001, 1003	0293882	1543820	FORD	459
0293510	48641-G2525	NISSAN	930, 988, 1001, 1003	0293882	1546259	FORD	459
				0293882	77362507	FIAT	377, 415

RIF. OCAP OCAP REF.	RIF. ORIG. O.E. NUMBER	MARCA MAKE	PAG.	RIF. OCAP OCAP REF.	RIF. ORIG. O.E. NUMBER	MARCA MAKE	PAG.
0293882	9S513270AA	FORD	459	0294279	1K0423811E	VOLKSWAGEN	1573, 1580, 1605, 1610, 1613, 1616, 1619, 1647, 1652, 1671, 1673, 1678, 1680, 1683, 1690, 1694, 1696
0293963	1011858	FORD	436, 438, 473	0294279	1K0423811G	AUDI	34, 42, 46, 89
0293963	1011858	MAZDA	709	0294279	1K0423811G	SEAT	1309, 1311, 1318, 1338, 1343, 1347
0293963	1E01-32-280A	FORD	436, 438, 473	0294279	1K0423811G	SKODA	1369, 1371, 1376, 1380, 1391, 1394
0293963	1E01-32-280A	MAZDA	709	0294279	1K0423811G	VOLKSWAGEN	1573, 1580, 1605, 1610, 1613, 1616, 1619, 1647, 1652, 1671, 1673, 1678, 1680, 1683, 1690, 1694, 1696
0294069	56820-2H000	HYUNDAI	554	0294279	1K0423811J	AUDI	34, 42, 46, 89
0294069	56820-2H000	KIA	619	0294279	1K0423811J	SEAT	1309, 1311, 1318, 1338, 1343, 1347
0294075	56820-2K000	HYUNDAI	552, 557	0294279	1K0423811J	SKODA	1369, 1371, 1376, 1380, 1391, 1394
0294075	56820-2K000	KIA	640, 644	0294279	1K0423811J	VOLKSWAGEN	1573, 1580, 1605, 1610, 1613, 1616, 1619, 1647, 1652, 1671, 1673, 1678, 1680, 1683, 1690, 1694, 1696
0294081	56820-2B000	HYUNDAI	565	0294279	1K0423811K	AUDI	34, 42, 46, 89
0294081	56820-2B000	KIA	639	0294279	1K0423811K	SEAT	1309, 1311, 1318, 1338, 1343, 1347
0294089	56820-3K000	HYUNDAI	571	0294279	1K0423811K	SKODA	1369, 1371, 1376, 1380, 1391, 1394
0294099	56820-4D000	KIA	618	0294279	1K0423811K	VOLKSWAGEN	1573, 1580, 1605, 1610, 1613, 1616, 1619, 1647, 1652, 1671, 1673, 1678, 1680, 1683, 1690, 1694, 1696
0294107	56820-2G000	KIA	616, 626	0294279	3C0423811B	AUDI	34, 42, 46, 89
0294124	4422A009	MITSUBISHI	896	0294279	3C0423811B	SEAT	1309, 1311, 1318, 1338, 1343, 1347
0294139	4422A037	MITSUBISHI	910	0294279	3C0423811B	SKODA	1369, 1371, 1376, 1380, 1391, 1394
0294144	48570-01J10	NISSAN	961	0294279	3C0423811B	VOLKSWAGEN	1573, 1580, 1605, 1610, 1613, 1616, 1619, 1647, 1652, 1671, 1673, 1678, 1680, 1683, 1690, 1694, 1696
0294167	45046-87581	PIAGGIO	1157	0294279	1K0423811E	AUDI	34, 42, 46, 89
0294170	7701474795	RENAULT	1217, 1256	0294279	1K0423811E	SEAT	1309, 1311, 1318, 1338, 1343, 1347
0294231	32106765089	BMW	130, 150	0294279	1K0423811E	SKODA	1369, 1371, 1376, 1380, 1391, 1394
0294247	96407485	CHEVROLET - DAEWOO 230		0294279	1K0423811C	AUDI	34, 42, 46, 89
0294249	6394600048	MERCEDES	847	0294279	1K0423811C	SEAT	1309, 1311, 1318, 1338, 1343, 1347
0294253	96261378	CHEVROLET - DAEWOO 233		0294279	1K0423811C	SKODA	1369, 1371, 1376, 1380, 1391, 1394
0294257	93740622	CHEVROLET - DAEWOO 224		0294279	1K0423811C	VOLKSWAGEN	1573, 1580, 1605, 1610, 1613, 1616, 1619, 1647, 1652, 1671, 1673, 1678, 1680, 1683, 1690, 1694, 1696
0294258	93740722	CHEVROLET - DAEWOO 218, 224		0294279	1K0423811C	AUDI	34, 42, 46, 89
0294269	4143330235	MERCEDES	844	0294279	1K0423811C	SEAT	1309, 1311, 1318, 1338, 1343, 1347
0294269	4144600005	MERCEDES	844	0294279	1K0423811C	SKODA	1369, 1371, 1376, 1380, 1391, 1394
0294273	2203381315	MERCEDES	791	0294279	1K0423811C	VOLKSWAGEN	1573, 1580, 1605, 1610, 1613, 1616, 1619, 1647, 1652, 1671, 1673, 1678, 1680, 1683, 1690, 1694, 1696
0294273	48210481005	MERCEDES	791	0294279	3C0423811B	AUDI	34, 42, 46, 89
0294279	1K0423811A	AUDI	34, 42, 46, 89	0294279	3C0423811B	SEAT	1309, 1311, 1318, 1338, 1343, 1347
0294279	1K0423811A	SEAT	1309, 1311, 1318, 1338, 1343, 1347	0294279	3C0423811B	SKODA	1369, 1371, 1376, 1380, 1391, 1394
0294279	1K0423811A	SKODA	1369, 1371, 1376, 1380, 1391, 1394	0294279	3C0423811B	VOLKSWAGEN	1573, 1580, 1605, 1610, 1613, 1616, 1619, 1647, 1652, 1671, 1673, 1678, 1680, 1683, 1690, 1694, 1696
0294279	1K0423811A	VOLKSWAGEN	1573, 1580, 1605, 1610, 1613, 1616, 1619, 1647, 1652, 1671, 1673, 1678, 1680, 1683, 1690, 1694, 1696	0294279	1K0423811C	AUDI	34, 42, 46, 89
0294279	1K0423811C	AUDI	34, 42, 46, 89	0294279	1K0423811C	SEAT	1309, 1311, 1318, 1338, 1343, 1347
0294279	1K0423811C	SEAT	1309, 1311, 1318, 1338, 1343, 1347	0294279	1K0423811C	SKODA	1369, 1371, 1376, 1380, 1391, 1394
0294279	1K0423811C	SKODA	1369, 1371, 1376, 1380, 1391, 1394	0294279	1K0423811C	VOLKSWAGEN	1573, 1580, 1605, 1610, 1613, 1616, 1619, 1647, 1652, 1671, 1673, 1678, 1680, 1683, 1690, 1694, 1696
0294279	1K0423811C	VOLKSWAGEN	1573, 1580, 1605, 1610, 1613, 1616, 1619, 1647, 1652, 1671, 1673, 1678, 1680, 1683, 1690, 1694, 1696	0294279	1K0423811E	AUDI	34, 42, 46, 89
0294279	1K0423811E	AUDI	34, 42, 46, 89	0294279	1K0423811E	SEAT	1309, 1311, 1318, 1338, 1343, 1347
0294279	1K0423811E	SEAT	1309, 1311, 1318, 1338, 1343, 1347	0294279	1K0423811E	SKODA	1369, 1371, 1376, 1380, 1391, 1394
0294279	1K0423811E	SKODA	1369, 1371, 1376, 1380, 1391, 1394	0294279	1K0423811E	VOLKSWAGEN	1573, 1580, 1605, 1610, 1613, 1616, 1619, 1647, 1652, 1671, 1673, 1678, 1680, 1683,

RIF. OCAP OCAP REF.	RIF. ORIG. O.E. NUMBER	MARCA MAKE	PAG.	RIF. OCAP OCAP REF.	RIF. ORIG. O.E. NUMBER	MARCA MAKE	PAG.
			1690, 1694, 1696	0294430	GJ6E-32-290A	MAZDA	721
				0294445	1693300503	MERCEDES	757
0294285	1315083	FORD	446	0294477	274225	VOLVO	1720
0294285	1315083	VOLVO	1716, 1721	0294481	274351	VOLVO	1734
0294285	1317447	FORD	446	0294481	274498	VOLVO	1734
0294285	1317447	VOLVO	1716, 1721	0294481	30760806	VOLVO	1734
0294285	1328881	FORD	446	0294481	30776323	VOLVO	1734
0294285	1328881	VOLVO	1716, 1721	0294481	31201228	VOLVO	1734
0294285	1404785	FORD	446	0294511	48570-3S500	NISSAN	967
0294285	1404785	VOLVO	1716, 1721	0294511	48570-3S525	NISSAN	967
0294285	274501	FORD	446	0294534	53560-SP0-013	HONDA	529
0294285	274501	VOLVO	1716, 1721	0294534	53560-SP0-023	HONDA	529
0294285	31201413	FORD	446	0294539	53560-SZ3-003	HONDA	530
0294285	31201413	VOLVO	1716, 1721	0294547	53560-SS0-003	HONDA	534
0294299	2113300103	MERCEDES	791	0294547	53560-SS0-004	HONDA	534
0294299	2113302303	MERCEDES	791	0294554	45047-69100	TOYOTA	1512
0294299	2113302503	MERCEDES	791	0294555	45047-69115	TOYOTA	1512
0294299	2113302703	MERCEDES	791	0294564	45470-19065	TOYOTA	1531
0294320	45047-49015	TOYOTA	1473	0294600	381792	CITROEN	258
0294321	45047-29065	TOYOTA	1521	0294604	32106784790	BMW	171, 176, 181, 193
0294325	7L0422817B	AUDI	94	0294616	48520-EA01J	NISSAN	958
0294325	7L0422817B	PORSCHE	1170	0294641	48521-01N25	NISSAN	999
0294325	7L0422817B	VOLKSWAGEN	1571, 1685, 1688	0294641	48640-01N25	NISSAN	999
0294325	7L0422817C	AUDI	94	0294647	48520-G5101	NISSAN	1002
0294325	7L0422817C	PORSCHE	1170	0294647	48520-G5125	NISSAN	1002
0294325	7L0422817C	VOLKSWAGEN	1571, 1685, 1688	0294648	48641-G5101	NISSAN	1002
0294325	7L0422817D	AUDI	94	0294648	48641-G5125	NISSAN	1002
0294325	7L0422817D	PORSCHE	1170	0294649	4666008001	SSANGYONG	1404, 1406, 1408
0294325	7L0422817D	VOLKSWAGEN	1571, 1685, 1688	0294649	4666009002	SSANGYONG	1404, 1406, 1408
0294325	95534713120	PORSCHE	1170	0295171	381780	CITROEN	272
0294325	95534713121	PORSCHE	1170	0295171	381780	PEUGEOT	1142
0294330	45470-09010	TOYOTA	1467, 1522	0295172	8J0423811	AUDI	99
0294330	45470-29185	TOYOTA	1467, 1522	0295193	56820-4H000	HYUNDAI	548
0294330	45470-39215	TOYOTA	1467, 1522	0295336	485200001R	RENAULT	1206-1207
0294330	45470-59055	TOYOTA	1467, 1522	0295338	50520352	ALFA ROMEO	25
0294333	7H0422817A	VOLKSWAGEN	1705	0295340	32212229367	BMW	148
0294333	7H0422817B	VOLKSWAGEN	1705	0295345	2123302303	MERCEDES	794
0294333	7H0422817C	VOLKSWAGEN	1705	0295494	568200U500	KIA	634
0294333	7H0422817D	VOLKSWAGEN	1705	0295494	56820-1R501	KIA	634
0294347	274191	VOLVO	1731	0295494	56820-1W000	KIA	634
0294357	1603258	OPEL	1020, 1045, 1068	0295495	77366165	FIAT	416-417
0294357	1603258	VAUXHALL	1544	0295495	77366165	JEEP	610
0294357	1603266	OPEL	1020, 1045, 1068	0295495	77366698	FIAT	416-417
0294357	1603266	VAUXHALL	1544	0295495	77366698	JEEP	610
0294357	1603289	OPEL	1020, 1045, 1068	0295500	45470-59015	LEXUS	699
0294357	1603289	VAUXHALL	1544	0295560	32109805551	MINI	863
0294357	93179559	OPEL	1020, 1045, 1068	0295560	32109808839	MINI	863
0294357	93179559	VAUXHALL	1544	0295574	1S0423811A	AUDI	31
0294357	93186333	OPEL	1020, 1045, 1068	0295574	1S0423811A	SEAT	1352
0294357	93186333	VAUXHALL	1544	0295574	1S0423811A	SKODA	1358
0294363	53560-SDA-A01	HONDA	507	0295574	1S0423811A	VOLKSWAGEN	1707
0294368	53560-SAA-003	HONDA	526	0295580	1608025180	CITROEN	267
0294379	48640-AX600	NISSAN	949	0295580	1608025180	PEUGEOT	1102, 1104
0294403	7701475842	RENAULT	1188, 1254, 1262	0295583	48520-0368R	RENAULT	1181, 1189
0294408	45047-49025	TOYOTA	1525	0295583	485200368R	RENAULT	1181, 1189
0294408	45047-49095	TOYOTA	1525	0295586	1454897	FORD	476
0294429	BP4L-32-290	MAZDA	712	0295586	UR56-32-280	FORD	476
				0295586	UR5632280	FORD	476
				0295586	UR56-32-280	MAZDA	732
				0295586	UR5632280	MAZDA	732
				0295587	1454898	FORD	476
				0295587	UR61-32-280	FORD	476

RIF. OCAP OCAP REF.	RIF. ORIG. O.E. NUMBER	MARCA MAKE	PAG.	RIF. OCAP OCAP REF.	RIF. ORIG. O.E. NUMBER	MARCA MAKE	PAG.
0295587	UR6132280	FORD	476	0298097	EG21-32-290A	MAZDA	733
0295587	UR61-32-280	MAZDA	732	0298500	485206481R	RENAULT	1194, 1220, 1258
0295587	UR6132280	MAZDA	732	0298508	32106854734	MINI	861
0295598	D8640-1HA0A	NISSAN	950	0298524	32106868685	BMW	174
0295728	56820-1Y000	KIA	628	0298534	32106869424	BMW	135, 199
0295729	56820-1Y501	KIA	628	0298534	32106869424	MINI	865
0295738	56820-A6000	HYUNDAI	555	0298675	2N0423811	MAN	705
0295738	56820-A6000	KIA	620	0298675	2N0423811	VOLKSWAGEN	1585
0295739	D8640-1AA0A	NISSAN	952	0298675	65467100001	MAN	705
0295739	D8640-JA00A	NISSAN	952	0298675	65467100001	VOLKSWAGEN	1585
0295739	D8F40-1AA0A	NISSAN	952	0298830	56820-B4000	HYUNDAI	551
0295741	3817.A1	PEUGEOT	1140	0298837	2095043	FORD	424, 443
0295741	3817A1	PEUGEOT	1140	0298844	4474600048	MERCEDES	849
0295742	2463301700	MERCEDES	759, 777	0298846	4474600248	MERCEDES	849
0295742	A2463301700	MERCEDES	759, 777	0298851	56820-C8000	HYUNDAI	553
0295755	48820-68L00	SUZUKI	1437	0298853	8W0423811B	AUDI	61
0295760	45047-B9070	DAIHATSU	337	0298853	8W0423811C	AUDI	61
0295760	45047-B9270	DAIHATSU	337	0298876	56820-A0000	HYUNDAI	543
0295769	1610817780	CITROEN	269	0298882	1802977	FORD	455, 472
0295769	1610817780	OPEL	1036	0298882	5333724	FORD	455, 472
0295769	1610817780	PEUGEOT	1123, 1152	0298886	1623141080	CITROEN	259
0295769	39176185 *	OPEL	1036	0299282	45470-39155	LEXUS	700
0295770	4533307100	RENAULT	1273	0299282	45470-39205	LEXUS	700
0295770	4533307100	SMART	1401, 1403	0299282	45470-59035	LEXUS	700
0295770	485204628R	RENAULT	1273	0299283	45464-30060	LEXUS	702
0295770	485204628R	SMART	1401, 1403	0300001	4225354	SEAT	1323
0295771	2054600605	MERCEDES	774	0300001	4332457	AUTOBIANCHI	125
0295771	A2054600605	MERCEDES	774	0300001	4332457	FIAT	405
0295774	53560-T1G-E01	HONDA	523	0300001	4338056	AUTOBIANCHI	125
0295774	53560-T1W-A01	HONDA	523	0300001	4338056	SEAT	1323
0295775	LR027570	LAND ROVER	682, 692	0300001	4362470	FIAT	405
0295776	97034713101	PORSCHE	1176	0300001	4364095	AUTOBIANCHI	125
0295783	D8640-4EA0A	NISSAN	983	0300001	4364095	FIAT	405
0295783	D8640-4EA0A	RENAULT	1196	0300001	4364095	SEAT	1323
0295796	39008084	OPEL	1024	0300001	SE-127156110A	SEAT	1323
0295801	2054600005	MERCEDES	774, 800	0300002	4226335	FIAT	407
0296494	1501855	FORD	460	0300002	4226335	ZASTAVA	1746
0296494	1541488	FORD	460	0300002	4337760	FIAT	407
0296494	8V413C437AA	FORD	460	0300002	4337760	ZASTAVA	1746
0296495	4H0422817A	AUDI	84	0300002	4364092	FIAT	407
0296499	2043301903	MERCEDES	794, 802	0300002	4364092	ZASTAVA	1746
0296499	2123301303	MERCEDES	794, 802	0300002	5882282	FIAT	407
0298069	1714700	FORD	449, 461, 486	0300002	5882282	ZASTAVA	1746
0298069	1748239	FORD	449, 461, 486	0300003	4402360	FIAT	408
0298069	1780103	FORD	449, 461, 486	0300003	4402360	SEAT	1324, 1354
0298069	1826505	FORD	449, 461, 486	0300003	4402361	FIAT	408
0298071	D8640-1KA0A	NISSAN	940	0300003	4402361	SEAT	1324, 1354
0298073	45047-09270	TOYOTA	1457, 1484	0300003	7535188	FIAT	408
0298073	45047-19205	TOYOTA	1457, 1484	0300003	7535188	SEAT	1324, 1354
0298073	45047-19215	TOYOTA	1457, 1484	0300003	SE138156110A	FIAT	408
0298083	4G0423811A	AUDI	57, 74, 76, 91	0300003	SE138156110A	SEAT	1324, 1354
0298083	4G0423811A	PORSCHE	1174	0300004	4402361	FIAT	386
0298085	32106799966	BMW	133, 154, 156	0300004	7535188	FIAT	386
0298091	D651-32-290	MAZDA	711	0300004	7558962	FIAT	386
0298091	D65132290	MAZDA	711	0300005	7543760	FIAT	363
0298092	56820-2S000	HYUNDAI	556, 558	0300005	7591277	FIAT	363
0298092	56820-2S000	KIA	643	0300011	SE021156110A	SEAT	1325
0298092	56820-2T000	HYUNDAI	556, 558	0300012	SE021156110B	SEAT	1325
0298092	56820-2T000	KIA	643	0300053	SE-141156110A	SEAT	1351
0298092	56820-2T190	HYUNDAI	556, 558	0300062	32211133699	BMW	159, 161, 186, 196
0298092	56820-2T190	KIA	643	0300062	32211136450	BMW	159, 161, 186, 196
0298092	56820-3Q000	HYUNDAI	556, 558	0300345	E17Z-3350A	MAZDA	744
0298092	56820-3Q000	KIA	643				
0298095	GS1D-32-290	MAZDA	722				
0298097	EG21-32-290	MAZDA	733				

RIF. OCAP OCAP REF.	RIF. ORIG. O.E. NUMBER	MARCA MAKE	PAG.	RIF. OCAP OCAP REF.	RIF. ORIG. O.E. NUMBER	MARCA MAKE	PAG.
0300345	UA04-32-220	MAZDA	744	0302042	4D0407151B	VOLKSWAGEN	1641, 1644
0300346	UA04-32-320	MAZDA	744	0302042	4D0407151E	AUDI	49, 66, 69, 78
0300401	4331252	FIAT	410	0302042	4D0407151E	SKODA	1388
0300401	4469175	FIAT	410	0302042	4D0407151E	VOLKSWAGEN	1641, 1644
0300404	4402672	AUTOBIANCHI	127	0302042	4D0407151G	AUDI	49, 66, 69, 78
0300404	4402672	FIAT	376	0302042	4D0407151G	SKODA	1388
0300404	4402672	SEAT	1351	0302042	4D0407151G	VOLKSWAGEN	1641, 1644
0300404	7601261	AUTOBIANCHI	127	0302042	4D0407151H	AUDI	49, 66, 69, 78
0300404	7601261	FIAT	376	0302042	4D0407151H	SKODA	1388
0300534	861407151B	AUDI	103	0302042	4D0407151H	VOLKSWAGEN	1641, 1644
0300534	861407151B	VOLKSWAGEN	1657-1658	0302042	4D0407151J	AUDI	49, 66, 69, 78
0300589	MB-166281	MITSUBISHI	891-893	0302042	4D0407151J	SKODA	1388
0300589	MB-241166	MITSUBISHI	891-893	0302042	4D0407151J	VOLKSWAGEN	1641, 1644
0301038	1379330	FIAT	344	0302042	4D0407151P	AUDI	49, 66, 69, 78
0301174	7674825	FIAT	364	0302042	4D0407151P	SKODA	1388
0301174	7674825	INNOCENTI	576	0302042	4D0407151P	VOLKSWAGEN	1641, 1644
0301534	1457609	FORD	454, 471	0302042	8D0407151E	AUDI	49, 66, 69, 78
0301789	45490-29465	TOYOTA	1497	0302042	8D0407151E	SKODA	1388
0301848	45200-75F00	SUZUKI	1441	0302042	8D0407151E	VOLKSWAGEN	1641, 1644
0301848	45200-75F20	OPEL	1009	0302083	4D0407505B	AUDI	79, 81
0301848	45200-75F20	SUZUKI	1441	0302083	4D0407505D	AUDI	79, 81
0301848	45200-75F20	VAUXHALL	1538	0302083	4D0407505F	AUDI	79, 81
0301848	4705172	OPEL	1009	0302083	4D0407505H	AUDI	79, 81
0301848	4705172	SUZUKI	1441	0302117	3C0407151A	AUDI	89
0301848	4705172	VAUXHALL	1538	0302117	3C0407151A	SEAT	1309
0301848	9208987	OPEL	1009	0302117	3C0407151A	VOLKSWAGEN	1580, 1648, 1678, 1680
0301848	9208987	SUZUKI	1441	0302117	3C0407151B	AUDI	89
0301848	9208987	VAUXHALL	1538	0302117	3C0407151B	SEAT	1309
0301849	4705742	OPEL	1009	0302117	3C0407151B	VOLKSWAGEN	1580, 1648, 1678, 1680
0301849	4705742	VAUXHALL	1538	0302117	3C0407151E	AUDI	89
0301849	4706665	OPEL	1009	0302117	3C0407151E	SEAT	1309
0301849	4706665	VAUXHALL	1538	0302117	3C0407151E	VOLKSWAGEN	1580, 1648, 1678, 1680
0301849	4707280	OPEL	1009	0302126	31126768989	BMW	152, 197
0301849	4707280	VAUXHALL	1538	0302306	4E0407151G	AUDI	82
0301875	33321095414	BMW	207	0302306	4E0407151L	AUDI	82
0301875	33326770742	BMW	207	0302306	4E0407155C	AUDI	82
0301875	33326774796	BMW	207	0302307	4E0407151E	VOLKSWAGEN	1654
0301891	8E0407151E	AUDI	52, 55	0302307	4E0407151J	VOLKSWAGEN	1654
0301891	8E0407151E	SEAT	1321	0302307	4E0407151K	VOLKSWAGEN	1654
0301891	8E0407151K	AUDI	52, 55	0302328	4E0501529C	AUDI	83
0301891	8E0407151K	SEAT	1321	0302328	4E0501529C	VOLKSWAGEN	1655
0301891	8E0407151L	AUDI	52, 55	0302328	4E0501529D	AUDI	83
0301891	8E0407151L	SEAT	1321	0302328	4E0501529D	VOLKSWAGEN	1655
0301891	8E0407151M	AUDI	52, 55	0302328	4E0501529G	AUDI	83
0301891	8E0407151M	SEAT	1321	0302328	4E0501529G	VOLKSWAGEN	1655
0301891	8E0407151N	AUDI	52, 55	0302363	333236779820	BMW	180
0301891	8E0407151N	SEAT	1321	0302363	33326750831	BMW	180
0301891	8E0407151R	AUDI	52, 55	0302363	33326768770	BMW	180
0301891	8E0407151R	SEAT	1321	0302363	33326774797	BMW	180
0301895	4B0407151	AUDI	50, 70, 80	0302373	2303502006	MERCEDES	793, 833
0301895	4B0407151	SKODA	1388	0302384	1243529065	MERCEDES	790
0301895	4B0407151	VOLKSWAGEN	1644	0302384	2103503706	MERCEDES	790
0301895	4B3407151A	AUDI	50, 70, 80	0302562	52088632AC	JEEP	604
0301895	4B3407151A	SKODA	1388	0302573	52090206AF	JEEP	609
0301895	4B3407151A	VOLKSWAGEN	1644	0302573	52090206AG	JEEP	609
0301895	4B3407151C	AUDI	50, 70, 80	0302573	52090206AH	JEEP	609
0301895	4B3407151C	SKODA	1388	0302573	52090206AI	JEEP	609
0301895	4B3407151C	VOLKSWAGEN	1644	0302673	1643501406	MERCEDES	808, 813
0301895	4B3407151F	AUDI	50, 70, 80	0302745	C2C21984	JAGUAR	594, 598
0301895	4B3407151F	SKODA	1388	0302745	C2C26261	JAGUAR	594, 598
0301895	4B3407151F	VOLKSWAGEN	1644	0302745	C2C26835	JAGUAR	594, 598
0301988	MB-831042	MITSUBISHI	906	0302745	C2C36013	JAGUAR	594, 598
0302020	431407151F	AUDI	120				
0302042	4D0407151B	AUDI	49, 66, 69, 78				
0302042	4D0407151B	SKODA	1388				

RIF. OCAP OCAP REF.	RIF. ORIG. O.E. NUMBER	MARCA MAKE	PAG.	RIF. OCAP OCAP REF.	RIF. ORIG. O.E. NUMBER	MARCA MAKE	PAG.
0302745	C2C36868	JAGUAR	594, 598	0303763	45490-39245	TOYOTA	1455
0302745	C2C39683	JAGUAR	594, 598	0303764	45401-35190	TOYOTA	1455
0302775	GJ6A-34-300B	MAZDA	721	0303774	45490-29245	TOYOTA	1496
0302775	GJ6A-34-300C	MAZDA	721	0303778	45401-39115	TOYOTA	1500
0302775	GJ6A-34-300D	MAZDA	721	0303779	45401-39116	TOYOTA	1500
0302775	GJ6A-34-300E	MAZDA	721	0303779	45401-39145	TOYOTA	1500
0302838	45200-76G00	SUZUKI	1430	0303792	45490-39475	TOYOTA	1502
0302838	45200-76G20	SUZUKI	1430	0303792	45490-39476	TOYOTA	1502
0302848	OK011-34-200	KIA	641	0303793	45490-39305	TOYOTA	1502
0302848	OK011-34-200A	KIA	641	0303793	45490-39306	TOYOTA	1502
0303143	45200-81A10	SUZUKI	1431	0303794	45490-35140	TOYOTA	1502
0303247	99634105306	PORSCHE	1162	0303795	45490-35130	TOYOTA	1502
0303247	99634105307	PORSCHE	1162	0303827	4050675	FORD	474
0303247	99634105314	PORSCHE	1162	0303865	D031-34-310A	KIA	631
0303247	99634105316	PORSCHE	1162	0303865	D031-34-310A	MAZDA	708
0303247	99634105317	PORSCHE	1162	0303865	D031-34-320A	KIA	631
0303259	48530-01G00	NISSAN	965	0303865	D031-34-320A	MAZDA	708
0303259	48530-01G25	NISSAN	965	0303865	D061-34-300	KIA	631
0303328	48068-87208	DAIHATSU	327	0303865	D061-34-300	MAZDA	708
0303328	48069-87208	DAIHATSU	327	0303865	D061-34-350	KIA	631
0303392	8021-32-320A	MAZDA	714	0303865	D061-34-350	MAZDA	708
0303393	8531-32-320	MAZDA	715, 735	0303865	KDX50-34-300	KIA	631
0303426	1757-32-220	MAZDA	745	0303865	KKY0-IE34310	KIA	631
0303426	8559-32-220	MAZDA	745	0303865	KKY0-IE34310	MAZDA	708
0303432	UA01-32-320	MAZDA	744	0303865	KKY0-IE34320	KIA	631
0303450	MB-166424	MITSUBISHI	897	0303865	KKY0-IE34320	MAZDA	708
0303451	MB-166423	MITSUBISHI	897	0304073	55250-1H000	HYUNDAI	554
0303461	MB-076009	MITSUBISHI	879-880, 891	0304073	55250-1H000	KIA	619
0303461	MB-166566	MITSUBISHI	879-880, 891	0304073	55250-2H000	HYUNDAI	554
0303462	MB-241421	MITSUBISHI	891	0304073	55250-2H000	KIA	619
0303474	MB-076010	MITSUBISHI	879	0304073	55250-2S000	HYUNDAI	554
0303474	MB-241165	MITSUBISHI	879	0304073	55250-2S000	KIA	619
0303475	MB-192297	MITSUBISHI	879-880	0304120	MB-241168	MITSUBISHI	894
0303475	MB-241495	MITSUBISHI	879-880	0304121	MB-241423	MITSUBISHI	894
0303484	MB-006571	MITSUBISHI	884	0304123	MR-296272	MITSUBISHI	895
0303484	MB-241497	MITSUBISHI	884	0304328	7L0407021A	AUDI	94
0303484	MB-241498	MITSUBISHI	884	0304328	7L0407021A	PORSCHE	1170
0303484	MT-402861	MITSUBISHI	884	0304328	7L0407021A	VOLKSWAGEN	1685
0303486	MB-122396	MITSUBISHI	885	0304328	7L0407021B	AUDI	94
0303487	MB-122400	MITSUBISHI	885	0304328	7L0407021B	PORSCHE	1170
0303488	MB-241973	MITSUBISHI	905	0304328	7L0407021B	VOLKSWAGEN	1685
0303489	MB-241830	MITSUBISHI	905	0304328	7L8407021	AUDI	94
0303490	MB-598489	MITSUBISHI	905	0304328	95534102700	AUDI	94
0303491	MB-831040	MITSUBISHI	906	0304328	95534102700	PORSCHE	1170
0303516	48530-21400	NISSAN	930, 988, 1003	0304328	95534102701	AUDI	94
0303560	48530-N8500	NISSAN	986	0304328	95534102701	PORSCHE	1170
0303568	48530-H6100	NISSAN	928, 987, 989, 1004	0304474	4F0407151	AUDI	72
0303569	48530-H5000	NISSAN	928, 987, 989, 1004	0304582	0K72A-34-300A	KIA	630
0303579	48530-H1600	NISSAN	987	0304582	0K72A-34-300B	KIA	630
0303590	48530-31G25	NISSAN	993	0304584	0K72A-34-200	KIA	630
0303591	48530-35G25	NISSAN	993	0304584	0K72A-34-200A	KIA	630
0303617	45200-82000	SUZUKI	1434	0304608	31126775967	BMW	172, 177, 182, 194
0303626	45490-29295	TOYOTA	1464, 1488	0304649	4440109001	SSANGYONG	1404
0303628	45401-19125	TOYOTA	1464, 1488	0305163	33326775902	BMW	173, 183, 195
0303649	45490-19135	TOYOTA	1475	0305164	33326775683	BMW	173, 178, 183, 195
0303650	45490-19125	TOYOTA	1475	0305172	8J0407151D	AUDI	99
0303651	45490-19225	TOYOTA	1475	0305182	12793813	SAAB	1300
0303652	45490-19215	TOYOTA	1475	0305347	RBJ000062	LAND ROVER	689
0303653	45401-19095	TOYOTA	1475	0305347	RBJ500710	LAND ROVER	689
0303656	45401-19195	TOYOTA	1475	0305347	RBJ500920	LAND ROVER	689
0303690	45490-29135	TOYOTA	1488	0305546	7L0505323A	AUDI	96
0303691	45401-29095	TOYOTA	1488	0305546	7L0505323A	PORSCHE	1172
0303713	45490-39165	TOYOTA	1493	0305546	7L0505323A	VOLKSWAGEN	1687, 1689

RIF. OCAP OCAP REF.	RIF. ORIG. O.E. NUMBER	MARCA MAKE	PAG.	RIF. OCAP OCAP REF.	RIF. ORIG. O.E. NUMBER	MARCA MAKE	PAG.
0305546	7L0505375A	AUDI	96	0380014	93501181	LANCIA	652
0305546	7L0505375A	PORSCHE	1172	0380036	46423823	FIAT	341, 396
0305546	7L0505375A	VOLKSWAGEN	1689	0380036	46423823	LANCIA	653, 658
0305562	7P0407021	PORSCHE	1170	0380036	71747916	FIAT	341, 396
0305562	7P0407021	VOLKSWAGEN	1688	0380036	71747916	LANCIA	653, 658
0305562	95834105100	PORSCHE	1170	0380036	7777240	FIAT	341, 396
0305562	95834105100	VOLKSWAGEN	1688	0380036	7777240	LANCIA	653, 658
0305563	33324069469	BMW	178	0380036	82461082	FIAT	341, 396
0305563	33326779851	BMW	178	0380036	82461082	LANCIA	653, 658
0305586	1454584	FORD	476	0380130	1233304707	MERCEDES	753, 814
0305586	UA3N-32-320A	FORD	476	0380130	1233305307	MERCEDES	753, 814
0305586	UA3N32320A	FORD	476	0380171	352137	PEUGEOT	1096
0305586	UA3N-32-320A	MAZDA	732	0380171	91519408	CITROEN	302
0305586	UA3N32320A	MAZDA	732	0380172	352145	PEUGEOT	1126
0305592	4782561AE	CHRYSLER	240	0380173	352144	PEUGEOT	1109, 1111, 1113
0305761	4332457 *	AUTOBIANCHI	125	0380174	352146	PEUGEOT	1129, 1131
0305761	4332457 *	FIAT	405	0380174	352149	PEUGEOT	1129, 1131
0305761	4332457 *	SEAT	1323	0380174	352176	PEUGEOT	1129, 1131
0305761	4338056 *	AUTOBIANCHI	125	0380175	95615000	CITROEN	242
0305761	4338056 *	FIAT	405	0380175	96133609	CITROEN	242
0305761	4338056 *	SEAT	1323	0380176	95663799	CITROEN	254
0305761	4364095 *	AUTOBIANCHI	125	0380176	95602970	CITROEN	254
0305761	4364095 *	FIAT	405	0380176	96070145	CITROEN	254
0305761	4364095 *	SEAT	1323	0380177	7636996	FIAT	345
0305762	4226335 *	FIAT	407	0380211	352081 *	CITROEN	244, 297
0305762	4226335 *	ZASTAVA	1746	0380211	352081 *	PEUGEOT	1091
0305762	4337760 *	FIAT	407	0380211	352093 *	CITROEN	244, 297
0305762	4337760 *	ZASTAVA	1746	0380211	352093 *	PEUGEOT	1091
0305762	4364092 *	FIAT	407	0380211	9451135680 *	CITROEN	244, 297
0305762	4364092 *	ZASTAVA	1746	0380211	9451135680 *	PEUGEOT	1091
0305762	5882282 *	FIAT	407	0380229	31121138478	BMW	196
0305762	5882282 *	ZASTAVA	1746	0380250	1630154	FORD	431, 478, 481
0305763	4402360 *	FIAT	408	0380250	1632766	FORD	431, 478, 481
0305763	4402360 *	SEAT	1324, 1354	0380250	1640853	FORD	431, 478, 481
0305763	4402361 *	FIAT	408	0380250	1656748	FORD	431, 478, 481
0305763	4402361 *	SEAT	1324, 1354	0380250	5021462	FORD	431, 478, 481
0305763	7535188 *	FIAT	408	0380263	31121114701	BMW	138
0305763	7535188 *	SEAT	1324, 1354	0380264	31121123026	BMW	138
0305764	4331252 *	FIAT	410	0380268	31121108385	BMW	158
0305764	4469175 *	FIAT	410	0380270	31121124402	BMW	160, 162, 186
0305776	97034105103	PORSCHE	1176	0380270	31121131588	BMW	160, 162, 186
0305776	97034105110	PORSCHE	1176	0380270	31121139992	BMW	160, 162, 186
0305777	97034105122	PORSCHE	1176	0380271	31121125550	BMW	160
0305777	97034105123	PORSCHE	1176	0380271	31121125552	BMW	160
0305778	97033104300	PORSCHE	1177	0380271	31121127142	BMW	160
0305779	97033104700	PORSCHE	1177	0380271	31121132346	BMW	160
0305786	1663500306	MERCEDES	810	0380271	31121132354	BMW	160
0308525	31106861185	BMW	174	0380272	31121125550 *	BMW	160
0308525	31126866240	BMW	174	0380272	31121125552 *	BMW	160
0308676	1027351-00-C	TESLA	1452, 1454	0380272	31121127142 *	BMW	160
0308676	1048951-00-A	TESLA	1452, 1454	0380272	31121132346 *	BMW	160
0308676	1048951-00-B	TESLA	1452, 1454	0380272	31121132354 *	BMW	160
0308676	6007997-00-D	TESLA	1452, 1454	0380276	31121118131	BMW	184
0308871	LR037690	LAND ROVER	691, 696	0380276	31121129363	BMW	184
0308893	50540594	ALFA ROMEO	24, 30	0380277	31121118356	BMW	184
0308894	50541788	ALFA ROMEO	24, 30	0380301	437407152A	AUDI	120, 122
0308894	50543275	ALFA ROMEO	24, 30	0380301	437407156A	AUDI	120, 122
0308895	50540592	ALFA ROMEO	24, 30	0380301	443407152A	AUDI	120, 122
0309274	DA782745AB	CHRYSLER	241	0380307	3521G6	PEUGEOT	1144, 1147- 1148
0309275	DA782836AB	CHRYSLER	241	0380308	352073	PEUGEOT	1145
0380014	46407373	FIAT	395	0380313	352079	CITROEN	243, 297
0380014	46407373	LANCIA	652	0380313	352079	PEUGEOT	1090
0380014	7601062	FIAT	395	0380313	95658979	CITROEN	243, 297
0380014	7601062	LANCIA	652				
0380014	93501181	FIAT	395				

RIF. OCAP OCAP REF.	RIF. ORIG. O.E. NUMBER	MARCA MAKE	PAG.	RIF. OCAP OCAP REF.	RIF. ORIG. O.E. NUMBER	MARCA MAKE	PAG.
0380313	95658979	PEUGEOT	1090	0380446	46430003	FIAT	339, 380
0380376	31121094276	BMW	143, 212	0380446	46430003	LANCIA	670
0380376	31121136530	BMW	143, 212	0380446	7750978	FIAT	339, 380
0380376	31121140400	BMW	143, 212	0380446	7750978	LANCIA	670
0380376	31121140958	BMW	143, 212	0380487	3521C8	PEUGEOT	1097
0380376	31126758514	BMW	143, 212	0380565	352153	CITROEN	280
0380376	31126758516	BMW	143, 212	0380565	352153	FIAT	358
0380378	31121127726	BMW	140	0380565	352153	PEUGEOT	1078
0380386	46423825	ALFA ROMEO	2, 4-5, 8, 27	0380565	7567282	CITROEN	280
0380386	46423825	FIAT	341, 347, 369	0380565	7567282	FIAT	358
0380386	46423825	LANCIA	659	0380565	7567282	PEUGEOT	1078
0380386	46462627	ALFA ROMEO	2, 4-5, 8, 27	0380565	7695185	CITROEN	280
0380386	46462627	FIAT	341, 347, 369	0380565	7695185	FIAT	358
0380386	46462627	LANCIA	659	0380565	7695185	PEUGEOT	1078
0380386	46474557	ALFA ROMEO	2, 4-5, 8, 27	0380605	3521-23	PEUGEOT	1088
0380386	46474557	FIAT	341, 347, 369	0380605	352123	PEUGEOT	1088
0380386	46474557	LANCIA	659	0380605	7700586466	RENAULT	1232, 1234
0380386	60586772	ALFA ROMEO	2, 4-5, 8, 27	0380605	7901352124	TALBOT	1446
0380386	60586772	FIAT	341, 347, 369	0380605	91504355	CITROEN	278
0380386	60586772	LANCIA	659	0380605	91504355	PEUGEOT	1087
0380386	60809814	ALFA ROMEO	2, 4-5, 8, 27	0380605	91504359	CITROEN	278, 294, 299-300
0380386	60809814	FIAT	341, 347, 369	0380605	91504359	PEUGEOT	1087
0380386	60809814	LANCIA	659	0380644	5021458	FORD	429
0380386	60811769	ALFA ROMEO	2, 4-5, 8, 27	0380645	1637182	FORD	429
0380386	60811769	FIAT	341, 347, 369	0380649	K8421	FORD	484
0380386	60811769	LANCIA	659	0380653	6087888	FORD	429
0380386	60812797	ALFA ROMEO	2, 4-5, 8, 27	0380653	6115334	FORD	429
0380386	60812797	FIAT	341, 347, 369	0380657	5021460	FORD	481
0380386	60812797	LANCIA	659	0380657	6114614	FORD	481
0380386	60813014	ALFA ROMEO	2, 4-5, 8, 27	0380657	6133282	FORD	481
0380386	60813014	FIAT	341, 347, 369	0380657	6194367	FORD	481
0380386	60813014	LANCIA	659	0380723	1263300707	MERCEDES	816
0380386	71738286	ALFA ROMEO	2, 4-5, 8, 27	0381000	1376754	FIAT	344
0380386	71738286	FIAT	341, 347, 369	0381025	33306773942	BMW	165, 167, 170
0380386	71738286	LANCIA	659	0381025	33321090816	BMW	165, 167, 170
0380386	7780444	ALFA ROMEO	2, 4-5, 8, 27	0381025	33321094210	BMW	165, 167, 170
0380386	7780444	FIAT	341, 347, 369	0381025	33326759158	BMW	165, 167, 170
0380386	7780444	LANCIA	659	0381025	33326767754	BMW	165, 167, 170
0380398	352158	CITROEN	304	0381025	33326767832	BMW	165, 167, 170
0380398	352181	CITROEN	304	0381025	33326767968	BMW	165, 167, 170
0380398	352182	CITROEN	304	0381025	33326768790	BMW	165, 167, 170
0380399	31121130824	BMW	141, 211	0381025	33326774840	BMW	165, 167, 170
0380405	352128	CITROEN	280	0381025	33326774842	BMW	165, 167, 170
0380405	352128	FIAT	358	0381025	3332677426	BMW	165, 167, 170
0380405	352128	PEUGEOT	1078	0381026	31121093450	BMW	164
0380405	4391813	CITROEN	280	0381026	31121094234	BMW	164
0380405	4391813	FIAT	358	0381032	31121142088	BMW	188
0380405	4391813	PEUGEOT	1078	0381033	31121141724	BMW	188
0380406	352152	CITROEN	280	0381044	31121141722	BMW	189
0380406	352152	FIAT	358	0381140	1308760080	CITROEN	289
0380406	352152	PEUGEOT	1078	0381140	1308760080	FIAT	360
0380406	7576731	CITROEN	280	0381140	1308760080	PEUGEOT	1073
0380406	7576731	FIAT	358	0381140	1317239080	CITROEN	289
0380406	7576731	PEUGEOT	1078	0381140	1317239080	FIAT	360
0380406	7695190	CITROEN	280	0381140	1317239080	PEUGEOT	1073
0380406	7695190	FIAT	358	0381140	1320756080	CITROEN	289
0380406	7695190	PEUGEOT	1078	0381140	1320756080	FIAT	360
0380412	1460179	FORD	426	0381140	1320756080	PEUGEOT	1073
0380412	801279	FORD	426	0381140	3521.66	CITROEN	289
0380446	46402682	FIAT	339, 380	0381140	3521.66	FIAT	360
0380446	46402682	LANCIA	670	0381140	3521.66	PEUGEOT	1073
0380446	46402684	FIAT	339, 380	0381140	352166	CITROEN	289
0380446	46402684	LANCIA	670	0381140	352166	FIAT	360
0380446	46429835	FIAT	339, 380	0381140	352166	PEUGEOT	1073
0380446	46429835	LANCIA	670	0381140	352166	CITROEN	289
0380446	46429835	LANCIA	670	0381140	352166	FIAT	360
0380446	46429835	LANCIA	670	0381140	352166	PEUGEOT	1073

RIF. OCAP OCAP REF.	RIF. ORIG. O.E. NUMBER	MARCA MAKE	PAG.	RIF. OCAP OCAP REF.	RIF. ORIG. O.E. NUMBER	MARCA MAKE	PAG.
0381141	1308601080	CITROEN	288	0381368	51832938	LANCIA	664
0381141	1308601080	FIAT	359	0381385	8N0407152A	AUDI	97
0381141	1308601080	PEUGEOT	1072	0381385	8N0407152D	AUDI	97
0381141	1317241080	CITROEN	288	0381392	31121141718	BMW	164
0381141	1317241080	FIAT	359	0381397	31121092610	BMW	166
0381141	1317241080	PEUGEOT	1072	0381397	31121092820	BMW	166
0381141	1320787080	CITROEN	288	0381397	32211092610	BMW	166
0381141	1320787080	FIAT	359	0381398	31121092610 *	BMW	166
0381141	1320787080	PEUGEOT	1072	0381446	1331940080	CITROEN	288
0381141	3521.65	CITROEN	288	0381446	1331940080	FIAT	359
0381141	3521.65	FIAT	359	0381446	1331940080	PEUGEOT	1072
0381141	3521.65	PEUGEOT	1072	0381446	1339467080	CITROEN	288
0381141	352165	CITROEN	288	0381446	1339467080	FIAT	359
0381141	352165	FIAT	359	0381446	1339467080	PEUGEOT	1072
0381141	352165	PEUGEOT	1072	0381446	3521.J3	CITROEN	288
0381184	1313084080	CITROEN	292	0381446	3521.J3	FIAT	359
0381184	1313084080	FIAT	387-388, 398	0381446	3521.J3	PEUGEOT	1072
0381184	1313084080	LANCIA	674	0381446	3521J3	CITROEN	288
0381184	1313084080	PEUGEOT	1150	0381446	3521J3	FIAT	359
0381184	1316736080	CITROEN	292	0381446	3521J3	PEUGEOT	1072
0381184	1316736080	FIAT	387-388, 398	0381451	1331939080	CITROEN	289
0381184	1316736080	LANCIA	674	0381451	1331939080	FIAT	360
0381184	1316736080	PEUGEOT	1150	0381451	1331939080	PEUGEOT	1073
0381184	1317390080	CITROEN	292	0381451	1339466080	CITROEN	289
0381184	1317390080	FIAT	387-388, 398	0381451	1339466080	FIAT	360
0381184	1317390080	LANCIA	674	0381451	1339466080	PEUGEOT	1073
0381184	1317390080	PEUGEOT	1150	0381451	3521.J4	CITROEN	289
0381184	1322664080	CITROEN	292	0381451	3521.J4	FIAT	360
0381184	1322664080	FIAT	387-388, 398	0381451	3521.J4	PEUGEOT	1073
0381184	1322664080	LANCIA	674	0381451	3521J4	CITROEN	289
0381184	1322664080	PEUGEOT	1150	0381451	3521J4	FIAT	360
0381184	1333755080	CITROEN	292	0381451	3521J4	PEUGEOT	1073
0381184	1333755080	FIAT	387-388, 398	0381494	4404048	NISSAN	939
0381184	1333755080	LANCIA	674	0381494	4404048	OPEL	1049
0381184	1333755080	PEUGEOT	1150	0381494	4404048	RENAULT	1209
0381184	352164	CITROEN	292	0381494	4404048	VAUXHALL	1561
0381184	352164	FIAT	387-388, 398	0381494	4418213	NISSAN	939
0381184	352164	LANCIA	674	0381494	4418213	OPEL	1049
0381184	352164	PEUGEOT	1150	0381494	4418213	RENAULT	1209
0381184	352183	CITROEN	292	0381494	4418213	VAUXHALL	1561
0381184	352183	FIAT	387-388, 398	0381494	4500093	NISSAN	939
0381184	352183	LANCIA	674	0381494	4500093	OPEL	1049
0381184	352183	PEUGEOT	1150	0381494	4500093	RENAULT	1209
0381184	352185	CITROEN	292	0381494	4500093	VAUXHALL	1561
0381184	352185	FIAT	387-388, 398	0381494	54500-00QAC	NISSAN	939
0381184	352185	LANCIA	674	0381494	54500-00QAC	OPEL	1049
0381184	352185	PEUGEOT	1150	0381494	54500-00QAC	RENAULT	1209
0381184	3521C9	CITROEN	292	0381494	54500-00QAC	VAUXHALL	1561
0381184	3521C9	FIAT	387-388, 398	0381494	54500-00QAE	NISSAN	939
0381184	3521C9	LANCIA	674	0381494	54500-00QAE	OPEL	1049
0381184	3521C9	PEUGEOT	1150	0381494	54500-00QAE	RENAULT	1209
0381184	71737048	CITROEN	292	0381494	54500-00QAE	VAUXHALL	1561
0381184	71737048	FIAT	387-388, 398	0381494	54501-00QAC	NISSAN	939
0381184	71737048	LANCIA	674	0381494	54501-00QAC	OPEL	1049
0381184	71737048	PEUGEOT	1150	0381494	54501-00QAC	RENAULT	1209
0381351	60627291	ALFA ROMEO	16	0381494	54501-00QAC	VAUXHALL	1561
0381351	60665805	ALFA ROMEO	16	0381494	7700302119	NISSAN	939
0381351	60695896	ALFA ROMEO	16	0381494	7700302119	OPEL	1049
0381352	60653552	ALFA ROMEO	17	0381494	7700302119	RENAULT	1209
0381352	60666020	ALFA ROMEO	17	0381494	7700302119	VAUXHALL	1561
0381368	46522142	FIAT	370	0381494	7700309190	NISSAN	939
0381368	46522142	LANCIA	664	0381494	7700309190	OPEL	1049
0381368	46764747	FIAT	370	0381494	7700309190	RENAULT	1209
0381368	46764747	LANCIA	664	0381494	7700309190	VAUXHALL	1561
0381368	51832938	FIAT	370	0381494	9160393	NISSAN	939

RIF. OCAP OCAP REF.	RIF. ORIG. O.E. NUMBER	MARCA MAKE	PAG.	RIF. OCAP OCAP REF.	RIF. ORIG. O.E. NUMBER	MARCA MAKE	PAG.
0381494	9160393	OPEL	1049	0381859	50700779	FIAT	392
0381494	9160393	RENAULT	1209	0381872	31121096170	BMW	206
0381494	9160393	VAUXHALL	1561	0381872	31126769718	BMW	206
0381495	4418630	OPEL	1050	0381873	31121096316	BMW	206
0381495	8200750274	RENAULT	1210	0381873	31126760276	BMW	206
0381495	93194855	OPEL	1050	0381879	31122282122	BMW	146, 215
0381500	3521E9	CITROEN	251, 311	0381879	31126751318	BMW	146, 215
0381500	3521E9	PEUGEOT	1084	0381879	31126752718	BMW	146, 215
0381500	3521F3	CITROEN	251, 311	0381879	31126758520	BMW	146, 215
0381500	3521F3	PEUGEOT	1082, 1084	0381879	31126770248	BMW	146, 215
0381500	3521L4	CITROEN	251, 311	0381879	31126774820	BMW	146, 215
0381500	3521L4	PEUGEOT	1082, 1084	0381879	31126777852	BMW	146, 215
0381500	3521R4	CITROEN	251, 311	0381879-K	31122282122 *	BMW	145, 215
0381500	3521R4	PEUGEOT	1082, 1084	0381879-K	31126751318 *	BMW	145, 215
0381513	3521G3	CITROEN	271	0381879-K	31126752718 *	BMW	145, 215
0381536	4419216	NISSAN	955	0381879-K	31126758520 *	BMW	145, 215
0381536	4419216	OPEL	1051	0381879-K	31126770248 *	BMW	145, 215
0381536	8200688875	RENAULT	1211	0381879-K	31126774820 *	BMW	145, 215
0381536	93197215	NISSAN	955	0381879-K	31126777852 *	BMW	145, 215
0381536	93197215	OPEL	1051	0381887	6025305573	RENAULT	1179, 1192
0381552	352180	PEUGEOT	1132	0381887	6025307650	RENAULT	1179, 1192
0381552	3521E1	PEUGEOT	1132	0381892	8D0407510	AUDI	56, 70
0381605	352133	CITROEN	278, 300	0381892	8D0407510	SEAT	1322
0381605	352133	PEUGEOT	1096	0381892	8D0407510	SKODA	1389
0381605	352134	CITROEN	278, 300	0381892	8D0407510	VOLKSWAGEN	1645
0381605	352134	PEUGEOT	1096	0381892	8D0407510A	AUDI	56, 70
0381605	91516337	CITROEN	278, 300	0381892	8D0407510A	SEAT	1322
0381605	91516337	PEUGEOT	1096	0381892	8D0407510A	SKODA	1389
0381753	MB-831556	MITSUBISHI	914, 919	0381892	8D0407510A	VOLKSWAGEN	1645
0381756	MR-316052	MITSUBISHI	915	0381892	8D0407510F	AUDI	56, 70
0381758	MR-316054	MITSUBISHI	920	0381892	8D0407510F	SEAT	1322
0381761	MB-912510	MITSUBISHI	882-883	0381892	8D0407510F	SKODA	1389
0381761	MR-162580	MITSUBISHI	882-883	0381892	8D0407510F	VOLKSWAGEN	1645
0381761	MR-296296	MITSUBISHI	882-883	0381892	8E0407510C	AUDI	56, 70
0381761	MR-325577	MITSUBISHI	882-883	0381892	8E0407510C	SEAT	1322
0381762	MB-912512	MITSUBISHI	882-883	0381892	8E0407510C	SKODA	1389
0381762	MR-162582	MITSUBISHI	882-883	0381892	8E0407510C	VOLKSWAGEN	1645
0381762	MR-296290	MITSUBISHI	882-883	0381892	8E0407510P	AUDI	56, 70
0381762	MR-296320	MITSUBISHI	882-883	0381892	8E0407510P	SEAT	1322
0381794	2033300211	MERCEDES	768, 836	0381892	8E0407510P	SKODA	1389
0381794	2033301711	MERCEDES	768, 836	0381892	8E0407510P	VOLKSWAGEN	1645
0381794	2033303611	MERCEDES	768, 836	0381900	8E0407506A	AUDI	53, 56, 70
0381794	2033304011	MERCEDES	768, 836	0381900	8E0407506A	SKODA	1389
0381803	8Z0407152J	AUDI	37	0381900	8E0407506A	VOLKSWAGEN	1645
0381808	51350-SR3-020	HONDA	513	0381900	8E0407506C	AUDI	53, 56, 70
0381808	51350-SR3-020	ROVER GROUP	1291	0381900	8E0407506C	SEAT	1322
0381808	51350-SR3-A01	HONDA	513	0381900	8E0407506C	SKODA	1389
0381808	51350-SR3-A01	ROVER GROUP	1291	0381900	8E0407506C	VOLKSWAGEN	1645
0381808	51350-SR3-A02	HONDA	513	0381900	8E0407506D	SEAT	1322
0381808	51350-SR3-A02	ROVER GROUP	1291	0381900	8E0407506E	SEAT	1322
0381808	51350-ST7-010	HONDA	513	0381900	8E0407506L	SEAT	1322
0381808	51350-ST7-010	ROVER GROUP	1291	0381900	8E0407506P	SEAT	1322
0381808	RBJ102220	HONDA	513	0381948	45201-60G00	SUZUKI	1425
0381808	RBJ102220	ROVER GROUP	1291	0381948	45201-63G01	SUZUKI	1425
0381809	RBJ102240	ROVER GROUP	1291	0381951	1633300507	MERCEDES	804
0381811	GSJ1000	ROVER GROUP	1293	0381952	1633330101	MERCEDES	804
0381825	2033302011	MERCEDES	768, 836	0381961	31121092024	BMW	164
0381825	2033303411	MERCEDES	768, 836	0382043	4D0407694AC	AUDI	50, 53, 67, 70, 78, 80
0381825	2043302011	MERCEDES	768, 836	0382043	4D0407694AC	SKODA	1389
0381853	3521G8	CITROEN	253, 262, 268	0382043	4D0407694AC	VOLKSWAGEN	1642, 1645
0381853	3521G8	PEUGEOT	1085, 1120	0382043	4D0407694AD	AUDI	50, 53, 67, 70, 78, 80
0381853	3521K3	CITROEN	253, 262, 268	0382043	4D0407694AD	SKODA	1389
0381853	3521K3	PEUGEOT	1085, 1120	0382043	4D0407694AD	VOLKSWAGEN	1642, 1645
0381853	3521P3	CITROEN	253, 262, 268				
0381853	3521P3	PEUGEOT	1085, 1120				

RIF. OCAP OCAP REF.	RIF. ORIG. O.E. NUMBER	MARCA MAKE	PAG.	RIF. OCAP OCAP REF.	RIF. ORIG. O.E. NUMBER	MARCA MAKE	PAG.
0382043	4D0407694E	AUDI	50, 53, 67, 70, 78, 80	0382045	4D0407510D	AUDI	50, 78
0382043	4D0407694E	SKODA	1389	0382045	4D0407510D	VOLKSWAGEN	1642
0382043	4D0407694E	VOLKSWAGEN	1642, 1645	0382045	4D0407510K	AUDI	50, 78
0382043	4D0407694G	AUDI	50, 53, 67, 70, 78, 80	0382045	4D0407510K	VOLKSWAGEN	1642
0382043	4D0407694G	SKODA	1389	0382045	8D0407510G	AUDI	50, 78
0382043	4D0407694G	VOLKSWAGEN	1642, 1645	0382045	8D0407510G	VOLKSWAGEN	1642
0382043	4D0407694H	AUDI	50, 53, 67, 70, 78, 80	0382047	4D0407510F	AUDI	50, 53, 67, 79- 80
0382043	4D0407694H	SKODA	1389	0382047	4D0407510F	SKODA	1389
0382043	4D0407694H	VOLKSWAGEN	1642, 1645	0382047	4D0407510F	VOLKSWAGEN	1642, 1645
0382043	4D0407694K	AUDI	50, 53, 67, 70, 78, 80	0382047	4D0407510G	AUDI	50, 53, 67, 79- 80
0382043	4D0407694K	SKODA	1389	0382047	4D0407510G	SKODA	1389
0382043	4D0407694K	VOLKSWAGEN	1642, 1645	0382047	4D0407510G	VOLKSWAGEN	1642, 1645
0382043	4D0407694M	AUDI	50, 53, 67, 70, 78, 80	0382047	4D0407510H	AUDI	50, 53, 67, 79- 80
0382043	4D0407694M	SKODA	1389	0382047	4D0407510J	AUDI	50, 53, 67, 79- 80
0382043	4D0407694M	VOLKSWAGEN	1642, 1645	0382047	4D0407510J	SKODA	1389
0382043	4D0407694N	AUDI	50, 53, 67, 70, 78, 80	0382047	4D0407510J	VOLKSWAGEN	1642, 1645
0382043	4D0407694N	SKODA	1389	0382047	8D0407510C	AUDI	50, 53, 67, 79- 80
0382043	4D0407694N	VOLKSWAGEN	1642, 1645	0382047	8D0407510C	SKODA	1389
0382043	8E0407694	AUDI	50, 53, 67, 70, 78, 80	0382047	8D0407510C	VOLKSWAGEN	1642, 1645
0382043	8E0407694	SKODA	1389	0382047	8D0407510E	AUDI	50, 53, 67, 79- 80
0382043	8E0407694	VOLKSWAGEN	1642, 1645	0382047	8D0407510E	SKODA	1389
0382043	8E0407694AG	AUDI	50, 53, 67, 70, 78, 80	0382047	8D0407510E	VOLKSWAGEN	1642, 1645
0382043	8E0407694AG	SKODA	1389	0382047	8E0407510A	AUDI	50, 53, 67, 79- 80
0382043	8E0407694AG	VOLKSWAGEN	1642, 1645	0382047	8E0407510A	SKODA	1389
0382043	8E0407694E	AUDI	50, 53, 67, 70, 78, 80	0382047	8E0407510A	VOLKSWAGEN	1642, 1645
0382043	8E0407694E	SKODA	1389	0382060	6114616	FORD	481
0382043	8E0407694E	VOLKSWAGEN	1642, 1645	0382060	6149939	FORD	481
0382043	8E0407694H	AUDI	50, 53, 67, 70, 78, 80	0382064	4A0407152	AUDI	64, 123
0382043	8E0407694H	SKODA	1389	0382065	31121133238	BMW	162, 186
0382043	8E0407694H	VOLKSWAGEN	1642, 1645	0382065	31121139988	BMW	162, 186
0382043	8E0407694K	AUDI	50, 53, 67, 70, 78, 80	0382125	31126768984	BMW	152, 197
0382043	8E0407694K	SKODA	1389	0382143	50704948	ALFA ROMEO	12
0382043	8E0407694K	VOLKSWAGEN	1642, 1645	0382143	50707480	ALFA ROMEO	12
0382043	8E0407694P	AUDI	50, 53, 67, 70, 78, 80	0382143	51787336	ALFA ROMEO	12
0382043	8E0407694P	SKODA	1389	0382143	51817624	ALFA ROMEO	12
0382043	8E0407694P	VOLKSWAGEN	1642, 1645	0382149	50704307	ALFA ROMEO	13
0382043	8E0407694Q	AUDI	50, 53, 67, 70, 78, 80	0382149	50707030	ALFA ROMEO	13
0382043	8E0407694Q	SKODA	1389	0382149	50707317	ALFA ROMEO	13
0382043	8E0407694Q	VOLKSWAGEN	1642, 1645	0382149	51795446	ALFA ROMEO	13
0382044	8D0407506B	AUDI	50, 67	0382149	51805472	ALFA ROMEO	13
0382044	8D0407506B	SKODA	1389	0382149	51842924	ALFA ROMEO	13
0382044	8D0407506B	VOLKSWAGEN	1642, 1645	0382180-K	1403305907	MERCEDES	818
0382044	8D0407506F	AUDI	50, 67	0382180-K	1403307707	MERCEDES	818
0382044	8D0407506F	SKODA	1389	0382186	31121104388	BMW	128
0382044	8D0407506F	VOLKSWAGEN	1642, 1645	0382204	1633500353	MERCEDES	805
0382044	8D0407506H	AUDI	50, 67	0382204	1633500653	MERCEDES	805
0382044	8D0407506H	SKODA	1389	0382275	50705084	FIAT	392
0382044	8D0407506H	VOLKSWAGEN	1642, 1645	0382297	8E0407694AA	AUDI	56
0382044	8D0407506K	AUDI	50, 67	0382297	8E0407694AA	SEAT	1321
0382044	8D0407506K	SKODA	1389	0382297	8E0407694AC	AUDI	56
0382044	8D0407506K	VOLKSWAGEN	1642, 1645	0382297	8E0407694AC	SEAT	1321
0382045	4D0407510B	AUDI	50, 78	0382297	8E0407694AF	AUDI	56
0382045	4D0407510B	VOLKSWAGEN	1642	0382297	8E0407694AF	SEAT	1321
				0382297	8E0407694AJ	AUDI	56
				0382297	8E0407694AJ	SEAT	1321
				0382297	8E0407694AK	AUDI	56
				0382297	8E0407694AK	SEAT	1321
				0382297	8E0407694AL	AUDI	56
				0382297	8E0407694AL	SEAT	1321

RIF. OCAP OCAP REF.	RIF. ORIG. O.E. NUMBER	MARCA MAKE	PAG.	RIF. OCAP OCAP REF.	RIF. ORIG. O.E. NUMBER	MARCA MAKE	PAG.
0382297	8E0407694AM	AUDI	56	0382638	1352225080	CITROEN	290
0382297	8E0407694AM	SEAT	1321	0382638	1352225080	FIAT	361
0382297	8E0407694N	AUDI	56	0382638	1352225080	PEUGEOT	1074
0382297	8E0407694N	SEAT	1321	0382639	1352226080	CITROEN	290
0382297	8E0407694T	AUDI	56	0382639	1352226080	FIAT	361
0382297	8E0407694T	SEAT	1321	0382639	1352226080	PEUGEOT	1074
0382298	4E0407506B	AUDI	72, 83	0382649	8K0407152B	AUDI	57, 74, 76, 91
0382298	4E0407506B	VOLKSWAGEN	1655	0382649	8K0407152C	AUDI	57, 74, 76, 91
0382298	4E0407506E	AUDI	72, 83	0382649	8K0407152D	AUDI	57, 74, 76, 91
0382298	4E0407506E	VOLKSWAGEN	1655	0382650	8K0407694F	AUDI	57, 92
0382299	4E0407510B	AUDI	73, 83	0382650	8K0407694K	AUDI	57, 92
0382299	4E0407510B	VOLKSWAGEN	1655	0382650	8K0407694N	AUDI	57, 92
0382299	4E0407510E	AUDI	73, 83	0382652	8K0407506A	AUDI	58
0382299	4E0407510E	VOLKSWAGEN	1655	0382653	8K0407510A	AUDI	58
0382299	4E0407510G	AUDI	73, 83	0382653	8K0407510F	AUDI	58
0382299	4E0407510G	VOLKSWAGEN	1655	0382653	8K0407510N	AUDI	58
0382299	4E0407510K	AUDI	73, 83	0382669	1643301807	MERCEDES	807
0382299	4E0407510K	VOLKSWAGEN	1655	0382669	1643302607	MERCEDES	807
0382308	4E0407694F	AUDI	82	0382669	1643303007	MERCEDES	807
0382308	4E0407694F	VOLKSWAGEN	1654	0382669	1643303507	MERCEDES	807
0382308	4E0407694N	AUDI	82	0382670	2513300807	MERCEDES	806, 812
0382308	4E0407694N	VOLKSWAGEN	1654	0382672	1643500706	MERCEDES	808, 813
0382317	272341	VOLVO	1730	0382672	1643502006	MERCEDES	808, 813
0382317	274452	VOLVO	1730	0382678	2513301407	MERCEDES	812
0382325	3521G4	PEUGEOT	1129, 1131	0382678	2513301607	MERCEDES	812
0382327	4F0407694B	AUDI	72	0382678	2513302007	MERCEDES	812
0382327	4F0407694C	AUDI	72	0382680	8K0407152F	AUDI	58, 74, 76, 91
0382327	4F0407694G	AUDI	72	0382680	8K0407152F	PORSCHE	1174
0382327	4F0407694H	AUDI	72	0382680	8K0407152G	AUDI	58, 74, 76, 91
0382334	7736515	FIAT	381	0382680	8K0407152G	PORSCHE	1174
0382334	7736515	LANCIA	671	0382682	8K0505324F	AUDI	60, 93
0382334-K	7736515 *	FIAT	381	0382682	8K0505324F	PORSCHE	1175
0382334-K	7736515 *	LANCIA	671	0382682	8K0505324H	AUDI	60, 93
0382335	7769901	FIAT	381	0382682	8K0505324H	PORSCHE	1175
0382335	7769901	LANCIA	671	0382683	8K0501530K	AUDI	60, 93
0382338	3521H9	PEUGEOT	1098	0382683	8K0501530N	AUDI	60, 93
0382339	3521E7	PEUGEOT	1098	0382685	1540246	FORD	459
0382339	3521K2	PEUGEOT	1098	0382685	1580515	FORD	459
0382340	3521J0	PEUGEOT	1098	0382685	1639575	FORD	459
0382340	3521R9	PEUGEOT	1098	0382685	50709580	FIAT	415
0382341	1633520101	MERCEDES	805	0382685	50710620	FIAT	415
0382341	1633520501	MERCEDES	805	0382685	51857022	FIAT	415
0382361	31126765998	BMW	179	0382685	9S513078BA	FORD	459
0382363	33326775084	BMW	180, 192	0382693	2213302411	MERCEDES	824
0382371-K	2303500429	MERCEDES	793, 833	0382693	2213306411	MERCEDES	824
0382376	2303301407	MERCEDES	831	0382694	2213308207	MERCEDES	824
0382382	2103303807	MERCEDES	789	0382695	2213300407	MERCEDES	825
0382469	48068-87209	DAIHATSU	328-329	0382695	2213309007	MERCEDES	825
0382473	54420-3E000	KIA	637	0382697	2213500806	MERCEDES	826
0382473	54420-3E001	KIA	637	0382698	2213501253	MERCEDES	826
0382473	54420-3E002	KIA	637	0382699	2213501006	MERCEDES	826
0382473	54420-3E100	KIA	637	0382711	2213500606	MERCEDES	826
0382535	51355-SK3-000	HONDA	519	0382718	1356061080	CITROEN	276
0382535	GSJ287	ROVER GROUP	1282-1283, 1288-1289	0382718	1356061080	FIAT	399
0382535	GSJ414	ROVER GROUP	1282-1283, 1288-1289	0382718	1356061080	LANCIA	666
0382551	0K552-34-300A	KIA	617	0382718	1356061080	PEUGEOT	1151
0382551	0K552-34-300B	KIA	617	0382718	1359399080	CITROEN	276
0382551	0K552-34-300C	KIA	617	0382718	1359399080	FIAT	399
0382552	0K30B-34-300B	KIA	632	0382718	1359399080	LANCIA	666
0382593	3521L2	CITROEN	274	0382718	1359399080	PEUGEOT	1151
0382593	3521L2	PEUGEOT	1135	0382718	1363096080	CITROEN	276
0382593	3521P9	CITROEN	274	0382718	1363096080	FIAT	399
0382593	3521P9	PEUGEOT	1135	0382718	1363096080	LANCIA	666
				0382718	1363096080	PEUGEOT	1151
				0382718	1368629080	CITROEN	276

RIF. OCAP OCAP REF.	RIF. ORIG. O.E. NUMBER	MARCA MAKE	PAG.	RIF. OCAP OCAP REF.	RIF. ORIG. O.E. NUMBER	MARCA MAKE	PAG.
0382718	1368629080	FIAT	399	0383074	8628498	VOLVO	1729, 1745
0382718	1368629080	LANCIA	666	0383074	9492917	VOLVO	1729, 1745
0382718	1368629080	PEUGEOT	1151	0383078	51776326	ALFA ROMEO	10
0382722	4766542AA	CHRYSLER	238	0383078	51834094	ALFA ROMEO	10
0382722	4766542AC	CHRYSLER	238	0383078	60651940	ALFA ROMEO	10
0382722	4766542AD	CHRYSLER	238	0383078	60657246	ALFA ROMEO	10
0382723	7H0407152E	VOLKSWAGEN	1705	0383080	50509339	ALFA ROMEO	9
0382723	7H0407152F	VOLKSWAGEN	1705	0383080	60652466	ALFA ROMEO	9
0382723	7H0407152G	VOLKSWAGEN	1705	0383080	60678135	ALFA ROMEO	9
0382724	31103443128	BMW	201	0383080	60686892	ALFA ROMEO	9
0382734	1497407080	CITROEN	293	0383102	48066-29075	TOYOTA	1499
0382734	1497407080	FIAT	389	0383102	48066-29085	TOYOTA	1499
0382734	1497407080	PEUGEOT	1076	0383149	3521R3	CITROEN	264
0382734	3521N9	CITROEN	293	0383149	3521R3	PEUGEOT	1121
0382734	3521N9	PEUGEOT	1076	0383208	7700834917	RENAULT	1215
0382745	C2Z2278	JAGUAR	594, 598	0383219	2043304411	MERCEDES	771, 838
0382745	XR822284	JAGUAR	594, 598	0383219	2043308811	MERCEDES	771, 838
0382745	XR842382	JAGUAR	594, 598	0383221	2043303211	MERCEDES	771, 838
0382745	XR857078	JAGUAR	594, 598	0383221	2043306811	MERCEDES	771, 838
0382745	XR857652	JAGUAR	594, 598	0383225	2043501606	MERCEDES	772, 776, 796, 801
0382746	XR81763	JAGUAR	592	0383225	2053506203	MERCEDES	772, 776, 796, 801
0382746	XR852090	JAGUAR	592	0383226	2043502206	MERCEDES	772, 776, 796, 801, 803
0382746	XR856012	JAGUAR	592	0383226	2043503406	MERCEDES	772, 776, 796, 801, 803
0382747	XR817609	JAGUAR	592	0383227	2043500653	MERCEDES	772, 776, 796, 801, 803
0382747	XR822851	JAGUAR	592	0383227	2053506603	MERCEDES	772, 776, 796, 801, 803
0382747	XR846022	JAGUAR	592	0383231	31126773950	BMW	208
0382747	XR851824	JAGUAR	592	0383233	31126771894	BMW	208
0382747	XR88757	JAGUAR	592	0383234	31126776418	BMW	208
0382759	GJ6A-34-J00B	MAZDA	721	0383237	33324046918	BMW	209
0382759	GJ6A-34-J00C	MAZDA	721	0383237	33326770964	BMW	209
0382759	GJ6A-34-J00D	MAZDA	721	0383237	33326779388	BMW	209
0382767	51350-S2A-000	HONDA	538	0383237	33326795048	BMW	209
0382779	48068-97202	DAIHATSU	329	0383238	33326770970	BMW	209
0382791	0K552-28-300B	KIA	617	0383238	33326796002	BMW	209
0382791	0K552-28-300C	KIA	617	0383256	51857136	FIAT	377
0382851	352126	PEUGEOT	1106-1107	0383257	51835398	ALFA ROMEO	12
0382857	31121132160	BMW	162	0383260	54501-FD000	KIA	632
0382857	31121133712	BMW	162	0383266	8K0407506B	AUDI	59, 75, 77, 92
0382857	31121141098	BMW	162	0383266	8K0407506B	PORSCHE	1174
0382857	31122226582	BMW	162	0383266	8K0407506M	AUDI	59, 75, 77, 92
0382858	31121132160 *	BMW	162	0383266	8K0407506M	PORSCHE	1174
0382858	31121133712 *	BMW	162	0383267	8K0407510B	AUDI	59, 75, 77, 92
0382858	31121141098 *	BMW	162	0383267	8K0407510B	PORSCHE	1174
0382858	31122226582 *	BMW	162	0383267	8K0407510M	AUDI	59, 75, 77, 92
0382862	31121130090	BMW	187, 196	0383267	8K0407510M	PORSCHE	1174
0382862	31121130598	BMW	187, 196	0383267	8K0407510M	AUDI	59, 75, 77, 92
0382862	31121140000	BMW	187, 196	0383277	48068-87711	DAIHATSU	330
0382877	31121141962	BMW	167	0383282	51350-TA0-A00	HONDA	509
0382897	46545661	FIAT	382	0383282	51350TA0A00	HONDA	509
0382897	46551790	FIAT	382	0383289	51350-SMG-E01	HONDA	517
0382897	51842193	FIAT	382	0383289	51350-SMG-E02	HONDA	517
0383007	441407152C	AUDI	101, 122	0383289	51350-SMG-E03	HONDA	517
0383007	441407156	AUDI	101, 122	0383289	51350-SMG-E04	HONDA	517
0383010	48068-87512	PIAGGIO	1157	0383289	51350-SMG-E05	HONDA	517
0383017	7700413494	RENAULT	1203	0383289	51350-SMG-E06	HONDA	517
0383017	7700823098	RENAULT	1203	0383289	51350-SMG-E07	HONDA	517
0383020	7700807581	RENAULT	1253	0383306	48068-87705	DAIHATSU	322
0383020	7700823581	RENAULT	1253	0383306	48068-87706	DAIHATSU	322
0383024	7700802344	RENAULT	1191	0383325	48068-87706	DAIHATSU	323
0383073	271629	VOLVO	1729	0383804	12796014	FIAT	351
0383073	271902	VOLVO	1729	0383804	12796014	OPEL	1064
0383073	8628496	VOLVO	1729				
0383073	9492531	VOLVO	1729				
0383073	9492915	VOLVO	1729				
0383074	272337	VOLVO	1729, 1745				

RIF. OCAP OCAP REF.	RIF. ORIG. O.E. NUMBER	MARCA MAKE	PAG.	RIF. OCAP OCAP REF.	RIF. ORIG. O.E. NUMBER	MARCA MAKE	PAG.
0383804	12796014	SAAB	1299	0383875	93868599	RENAULT	1269
0383804	12796014	VAUXHALL	1568	0383886	2203309007	MERCEDES	821
0383804	24413016	FIAT	351	0383973	1012632	FORD	451
0383804	24413016	OPEL	1064	0383973	1012632	SEAT	1307
0383804	24413016	SAAB	1299	0383973	1012632	VOLKSWAGEN	1676
0383804	24413016	VAUXHALL	1568	0383973	7M0407152B	FORD	451
0383804	352052	FIAT	351	0383973	7M0407152B	SEAT	1307
0383804	352052	OPEL	1064	0383973	7M0407152B	VOLKSWAGEN	1676
0383804	352052	SAAB	1299	0384015	352138	PEUGEOT	1126
0383804	352052	VAUXHALL	1568	0384015	352141	PEUGEOT	1126
0383804	51748652	FIAT	351	0384048	04694760AA	CHRYSLER	237
0383804	51748652	OPEL	1064	0384048	4694760	CHRYSLER	237
0383804	51748652	SAAB	1299	0384048	4694760AC	CHRYSLER	237
0383804	51748652	VAUXHALL	1568	0384101	352081	CITROEN	245, 298
0383817	1346385080	FIAT	399	0384101	352081	PEUGEOT	1091
0383817	1346385080	LANCIA	666	0384101	352093	CITROEN	245, 298
0383817	3521H1	CITROEN	276	0384101	352093	PEUGEOT	1091
0383817	3521H1	PEUGEOT	1151	0384101	9451135680	CITROEN	245, 298
0383817	3521K6	CITROEN	276	0384101	9451135680	PEUGEOT	1091
0383817	3521K6	PEUGEOT	1151	0384181	8Z0407152L	AUDI	37
0383817	93501488	FIAT	399	0384182	8Z0407152R	AUDI	37
0383817	93501488	LANCIA	666	0384183	8Z0407152S	AUDI	38
0383833	50703231	FIAT	367	0384209	31103412138	BMW	201
0383833	50703231	LANCIA	665, 672	0384214	31103415028	BMW	202
0383837	50703129	FIAT	377	0384214	31103418338	BMW	202
0383837	51857134	FIAT	377	0384214	31103426434	BMW	202
0383841	30635228	VOLVO	1724	0384214	31103451882	BMW	202
0383841	8623956	VOLVO	1724	0384214	31193412136	BMW	202
0383841	8649542	VOLVO	1724	0384218	31102348046	BMW	169
0383841	9692106	VOLVO	1724	0384218	31104026720	BMW	169
0383843	30635230	VOLVO	1724	0384218	31126760184	BMW	169
0383843	8649544	VOLVO	1724	0384218	31126765996	BMW	169
0383846	31124026454	BMW	191	0384218	31126774826	BMW	169
0383846	31126756102	BMW	191	0384221	31122347952	BMW	169
0383846	31126760520	BMW	191	0384221	31126760182	BMW	169
0383846	31126765994	BMW	191	0384221	31126768298	BMW	169
0383846	31126774832	BMW	191	0384228	51355-SM4-030	HONDA	504
0383847	31126755836	BMW	179, 191	0384228	51355-SM4-030	ROVER GROUP	1292
0383849	33306772242	BMW	170, 180, 192	0384228	51355-SM4-040	HONDA	504
0383849	33326758142	BMW	170, 180, 192	0384228	51355-SM4-040	ROVER GROUP	1292
0383849	33326767760	BMW	170, 180, 192	0384228	RB100690	HONDA	504
0383849	33326770776	BMW	170, 180, 192	0384228	RB100690	ROVER GROUP	1292
0383849	33326774794	BMW	170, 180, 192	0384232	31124036270	BMW	131, 151, 216
0383854	4543468	SAAB	1298	0384232	31126763704	BMW	131, 151, 216
0383859	2203304411	MERCEDES	821	0384232	31126763708	BMW	131, 151, 216
0383859	2203305811	MERCEDES	821	0384232	31126769798	BMW	131, 151, 216
0383860	2203305211	MERCEDES	822	0384232	31126769802	BMW	131, 151, 216
0383861	2203301507	MERCEDES	822	0384235	31122405860	BMW	131, 151
0383861	2203308407	MERCEDES	822	0384235	31126763700	BMW	131, 151
0383861	2203309407	MERCEDES	822	0384235	31126770850	BMW	131, 151
0383866	4248449	SAAB	1298	0384241	51355-SV4-000	HONDA	505
0383875	4422269	NISSAN	954	0384241	51355-SV7-A00	HONDA	505
0383875	4422269	OPEL	1067	0384274	2113308207	MERCEDES	792
0383875	4422269	RENAULT	1269	0384274	2113309207	MERCEDES	792
0383875	54500-00Q2B	NISSAN	954	0384276	2113301211	MERCEDES	792, 832
0383875	54500-00Q2B	OPEL	1067	0384276	2113301611	MERCEDES	792, 832
0383875	54500-00Q2B	RENAULT	1269	0384276	2113303011	MERCEDES	792, 832
0383875	545006069R	NISSAN	954	0384276	2113304411	MERCEDES	792, 832
0383875	545006069R	OPEL	1067	0384276	2113305011	MERCEDES	792, 832
0383875	545006069R	RENAULT	1269	0384276	2303301811	MERCEDES	792, 832
0383875	6000618835	NISSAN	954	0384281	3C0407151A *	VOLKSWAGEN	1680
0383875	6000618835	OPEL	1067	0384327	7L0407152C	PORSCHE	1171
0383875	6000618835	RENAULT	1269	0384327	7L0407152C	VOLKSWAGEN	1685
0383875	93868599	NISSAN	954	0384327	7L0407152E	PORSCHE	1171
0383875	93868599	OPEL	1067	0384327	7L0407152E	VOLKSWAGEN	1685

RIF. OCAP OCAP REF.	RIF. ORIG. O.E. NUMBER	MARCA MAKE	PAG.	RIF. OCAP OCAP REF.	RIF. ORIG. O.E. NUMBER	MARCA MAKE	PAG.
0384327	7L0407152H	PORSCHE	1171	0384585	4G0407694J	PORSCHE	1175
0384327	7L0407152H	VOLKSWAGEN	1685	0384585	8K0407694Q	AUDI	58, 92
0384327	95534101830	PORSCHE	1171	0384585	8K0407694Q	PORSCHE	1175
0384327	95534101831	PORSCHE	1171	0384585	8K0407694S	AUDI	58, 92
0384327	95534101832	PORSCHE	1171	0384585	8K0407694S	PORSCHE	1175
0384327	95534101833	PORSCHE	1171	0384585	8K0407694T	AUDI	58, 92
0384332	7L0407152F	AUDI	95	0384585	8K0407694T	PORSCHE	1175
0384332	7L0407152F	VOLKSWAGEN	1686	0384590	D201-34-300E	MAZDA	734
0384332	7L0407152J	AUDI	95	0384593	7L0407152K	AUDI	95
0384332	7L0407152J	VOLKSWAGEN	1686	0384593	7L0407152K	VOLKSWAGEN	1688
0384332	7L0407152K	AUDI	95	0384593	7L8407152D	AUDI	95
0384332	7L0407152K	VOLKSWAGEN	1686	0384593	7L8407152D	VOLKSWAGEN	1688
0384332	95534101861	AUDI	95	0384593	7L8407152E	AUDI	95
0384332	95534101861	PORSCHE	1171	0384593	7L8407152E	VOLKSWAGEN	1688
0384332	95534101861	VOLKSWAGEN	1686	0384593	7L8407152F	AUDI	95
0384348	30635232	VOLVO	1731	0384593	7L8407152F	VOLKSWAGEN	1688
0384348	307363388	VOLVO	1731	0384593	7P0407152E	AUDI	95
0384348	8649546	VOLVO	1731	0384593	7P0407152E	VOLKSWAGEN	1688
0384350	3521J6	CITROEN	272, 274	0384593	95834105400	AUDI	95
0384350	3521J6	PEUGEOT	1134, 1142	0384593	95834105400	PORSCHE	1171
0384366	51350-SEA-E01	HONDA	507	0384593	95834105400	VOLKSWAGEN	1688
0384376	1K0407152AC	AUDI	43	0384605	31126777744	BMW	172, 182
0384376	1K0407152AC	SEAT	1344	0384605	31126850606	BMW	172, 182
0384376	1K0407152AC	SKODA	1377	0384606	31126775972	BMW	171, 181
0384376	1K0407152AC	VOLKSWAGEN	1606, 1611, 1617, 1674, 1691	0384607	31126794204	BMW	171, 181
0384376	1K0407152M	AUDI	43	0384608	33324069468	BMW	195
0384376	1K0407152M	SEAT	1344	0384608	33326782132	BMW	195
0384376	1K0407152M	SKODA	1377	0384627	4417178	NISSAN	972
0384376	1K0407152M	VOLKSWAGEN	1606, 1611, 1617, 1674, 1691	0384627	4417178	OPEL	1066
0384377	1K0407152AC *	AUDI	43	0384627	4417178	RENAULT	1268
0384377	1K0407152AC *	SEAT	1344	0384627	4418226	NISSAN	972
0384377	1K0407152AC *	SKODA	1377	0384627	4418226	OPEL	1066
0384377	1K0407152AC *	VOLKSWAGEN	1606, 1611, 1617, 1674, 1691	0384627	4418226	RENAULT	1268
0384377	1K0407152M *	AUDI	43	0384627	4421646	NISSAN	972
0384377	1K0407152M *	SEAT	1344	0384627	4421646	OPEL	1066
0384377	1K0407152M *	SKODA	1377	0384627	4421646	RENAULT	1268
0384377	1K0407152M *	VOLKSWAGEN	1606, 1611, 1617, 1674, 1691	0384627	4421646	RENAULT	1268
0384386	3521.T8	PEUGEOT	1135	0384627	54502-00Q0C	NISSAN	972
0384386	3521T8	PEUGEOT	1135	0384627	54502-00Q0C	OPEL	1066
0384463	3521.T7	CITROEN	272	0384627	54502-00Q0C	RENAULT	1268
0384463	3521T7	CITROEN	272	0384627	8200395034	NISSAN	972
0384484	30639781	VOLVO	1734	0384627	8200395034	OPEL	1066
0384484	30645846	VOLVO	1734	0384627	8200395034	RENAULT	1268
0384484	30681615	VOLVO	1734	0384627	8200626961	NISSAN	972
0384484	31201005	VOLVO	1734	0384627	8200626961	OPEL	1066
0384502	5021464	FORD	478	0384627	8200626961	RENAULT	1268
0384502	6154288	FORD	478	0384627	8200876657	NISSAN	972
0384502	6194368	FORD	478	0384627	8200876657	OPEL	1066
0384514	54500-8H310	NISSAN	1005	0384627	8200876657	RENAULT	1268
0384537	52390-SP0-013	HONDA	529	0384627	93862135	NISSAN	972
0384583	30760587	VOLVO	1725	0384627	93862135	OPEL	1066
0384585	4G0407694D	AUDI	58, 92	0384627	93862135	RENAULT	1268
0384585	4G0407694D	PORSCHE	1175	0384629	54524-AV600	NISSAN	977
0384585	4G0407694F	AUDI	58, 92	0384629	54524-AV601	NISSAN	977
0384585	4G0407694F	PORSCHE	1175	0384644	54524-VW100	NISSAN	1000
0384585	4G0407694H	AUDI	58, 92	0384644	54524-VX100	NISSAN	1000
0384585	4G0407694H	PORSCHE	1175	0385072	542150012	LDV	697
0384585	4G0407694J	AUDI	58, 92	0385162	33324069284	BMW	173, 183, 195
				0385162	33326782136	BMW	173, 183, 195
				0385167	13272606	CHEVROLET - DAEWOO	221
				0385167	13272606	OPEL	1023
				0385167	13321339	CHEVROLET - DAEWOO	221
				0385167	13321339	OPEL	1023
				0385167	13334023	CHEVROLET - DAEWOO	221
				0385167	13334023	OPEL	1023
				0385167	352115	CHEVROLET - DAEWOO	221

RIF. OCAP OCAP REF.	RIF. ORIG. O.E. NUMBER	MARCA MAKE	PAG.	RIF. OCAP OCAP REF.	RIF. ORIG. O.E. NUMBER	MARCA MAKE	PAG.
0385167	352115	OPEL	1023	0385741	3521V1	PEUGEOT	1140
0385167	352493	CHEVROLET - DAEWOO	221	0385742	2463301807	MERCEDES	759, 777
0385167	352493	OPEL	1023	0385742	2463304800	MERCEDES	759, 777
0385169	13273605	OPEL	1037	0385756	4766424AD	FIAT	366
0385169	13273605	SAAB	1303	0385756	K04766424AA	FIAT	366
0385169	13318885	OPEL	1037	0385756	K04766424AB	FIAT	366
0385169	13318885	SAAB	1303	0385756	K04766424AC	FIAT	366
0385169	13318887	SAAB	1303	0385756	K04766424AD	FIAT	366
0385169	352071	OPEL	1037	0385756	K04766424AE	FIAT	366
0385169	352071	SAAB	1303	0385769	9800596580 **	PEUGEOT	1123
0385169	352080	SAAB	1303	0385771	2053305601	MERCEDES	774, 800
0385169	352870	OPEL	1037	0385772	2053301405	MERCEDES	774
0385169	352870	SAAB	1303	0385772	2053301605	MERCEDES	774
0385170	13219163	OPEL	1038	0385772	2053304403	MERCEDES	774
0385170	13219163	SAAB	1304	0385773	2053302007	MERCEDES	775
0385170	13318345	OPEL	1038	0385773	2053306001	MERCEDES	775
0385170	13318345	SAAB	1304	0385773	2053306201	MERCEDES	775
0385170	423043	OPEL	1038	0385773	A2053306201	MERCEDES	775
0385170	423043	SAAB	1304	0385775	LR024472	LAND ROVER	692
0385170	423071	OPEL	1038	0385775	LR045803	LAND ROVER	692
0385170	423071	SAAB	1304	0385775	LR078656	LAND ROVER	692
0385171	5175CE	CITROEN	273, 275	0385776	97034105404	PORSCHE	1176
0385171	5175CE	PEUGEOT	1136, 1143	0385777	97034105423	PORSCHE	1177
0385171	9801145780	CITROEN	273, 275	0385777	97034105424	PORSCHE	1177
0385171	9801145780	PEUGEOT	1136, 1143	0385782	4H0407152A	AUDI	84
0385172	8J0407151D *	AUDI	99	0385782	4H0407152B	AUDI	84
0385175	4440208000	SSANGYONG	1409	0385784	1663300207	MERCEDES	809
0385181	45201-65D00	SUZUKI	1428	0385785	1663301807	MERCEDES	809
0385181	45201-65D01	SUZUKI	1428	0385787	1663501006	MERCEDES	810
0385181	45201-67D01	SUZUKI	1428	0385788	55120-JD000	NISSAN	982, 984, 1007
0385340	31122229454	BMW	148	0385788	55120-JD000	RENAULT	1197
0385344	2213307207	MERCEDES	824	0385788	55120-JD00B	NISSAN	982, 984, 1007
0385344	2213308807	MERCEDES	824	0385788	55120-JD00B	RENAULT	1197
0385345	2123303011	MERCEDES	795	0386492	2123302811	MERCEDES	794
0385346	2123302811 *	MERCEDES	794	0386495	4H0407694C	AUDI	84
0385348	RBJ000120	LAND ROVER	689	0386495	4H0407694D	AUDI	84
0385348	RBJ018343	LAND ROVER	689	0386495	4H0407694E	AUDI	84
0385496	54501-3Z000	HYUNDAI	556	0386495	4H0407694G	AUDI	84
0385499	48068-48010	LEXUS	703	0386496	4H0407506D	AUDI	85
0385545	7L0505398	AUDI	96	0386496	4H0407506E	AUDI	85
0385545	7L0505398	PORSCHE	1172	0386496	4H0407506F	AUDI	85
0385545	7L0505398	VOLKSWAGEN	1687, 1689	0386497	4H0407510E	AUDI	85
0385556	31106787674	BMW	203	0388062	55501-CA000	NISSAN	951
0385557	31126787670	BMW	203	0388062	55501-CA00A	NISSAN	951
0385560	31129804432	MINI	863	0388065	4440209010	SSANGYONG	1406, 1409
0385560	31129806520	MINI	863	0388065	4440209011	SSANGYONG	1406, 1409
0385563	31126777740	BMW	177, 194	0388081	31124083312	BMW	176, 193
0385564	33326779848	BMW	178	0388081	31126775960	BMW	176, 193
0385585	NE51-34-300C	MAZDA	741	0388082	31126775964	BMW	176, 193
0385585	NE51-34-300D	MAZDA	741	0388082	31126798108	BMW	176, 193
0385589	45201-54G01	SUZUKI	1432	0388085	31126855742	BMW	133, 154, 156
0385591	4782666AB	CHRYSLER	240	0388086	31126852992	BMW	133, 154, 156
0385591	4782666AC	CHRYSLER	240	0388095	GS1D-34-300G	MAZDA	722
0385591	4782666AE	CHRYSLER	240	0388095	GS1D-34-300H	MAZDA	722
0385592	4782612AC	CHRYSLER	240	0388095	GS1D-34-300J	MAZDA	722
0385592	4782612AD	CHRYSLER	240	0388095	GS1D-34-300L	MAZDA	722
0385592	5180606AA	CHRYSLER	240	0388098	352510	OPEL	1070
0385592	5180606AB	CHRYSLER	240	0388098	352550	OPEL	1070
0385739	54500-1AA0A	NISSAN	952	0388503	545049671R	RENAULT	1221, 1258
0385739	54500-1AA1A	NISSAN	952	0388504	545049124R	RENAULT	1220
0385739	54500-1AT0A	NISSAN	952	0388513	9800596580 *	CITROEN	269
0385739	54500-1AT0B	NISSAN	952	0388516	2213307807	MERCEDES	825
0385741	3521.V1	PEUGEOT	1140	0388517	2213306611	MERCEDES	825
				0388523	31340127	VOLVO	1727
				0388523	31429320	VOLVO	1727

RIF. OCAP OCAP REF.	RIF. ORIG. O.E. NUMBER	MARCA MAKE	PAG.	RIF. OCAP OCAP REF.	RIF. ORIG. O.E. NUMBER	MARCA MAKE	PAG.
0388526	31106861162	BMW	174	0389296	2043308211	MERCEDES	802
0388527	31106861178	BMW	175	0390014	46407372	FIAT	395
0388529	33326861116	BMW	175	0390014	46407372	LANCIA	652
0388529	33326870536	BMW	175	0390014	7601057	FIAT	395
0388666	1563300200	MERCEDES	759, 777	0390014	7601057	LANCIA	652
0388666	1563300600	MERCEDES	759, 777	0390014	93501180	FIAT	395
0388666	A1563300200	MERCEDES	759, 777	0390014	93501180	LANCIA	652
0388666	A1563300600	MERCEDES	759, 777	0390036	46423822	FIAT	341, 396
0388667	1374222080	CITROEN	291	0390036	46423822	LANCIA	653, 658
0388667	1374222080	FIAT	362	0390036	71747915	FIAT	341, 396
0388667	1374222080	PEUGEOT	1075	0390036	71747915	LANCIA	653, 658
0388667	1612735580	CITROEN	291	0390036	7777239	FIAT	341, 396
0388667	1612735580	FIAT	362	0390036	7777239	LANCIA	653, 658
0388667	1612735580	PEUGEOT	1075	0390036	82461081	FIAT	341, 396
0388672	31126851692	BMW	210	0390036	82461081	LANCIA	653, 658
0388673	31124083310	BMW	172, 182	0390130	1233304607	MERCEDES	753, 814
0388673	31126777734	BMW	172, 182	0390130	1233305207	MERCEDES	753, 814
0388677	1041575-00-B	TESLA	1452, 1454	0390171	352054	PEUGEOT	1096
0388677	6006664-00-C	TESLA	1452, 1454	0390171	91519409	CITROEN	302
0388680	545043778R	RENAULT	1194	0390172	352064	PEUGEOT	1126
0388680	545045460R	RENAULT	1194	0390173	352063	PEUGEOT	1109, 1111, 1113
0388680	545047275R	RENAULT	1194	0390174	352065	PEUGEOT	1129, 1131
0388680	545049327R	RENAULT	1194	0390174	352068	PEUGEOT	1129, 1131
0388680	545053721R	RENAULT	1194	0390174	3520K5	PEUGEOT	1129, 1131
0388853	8W0407506A	AUDI	61	0390175	95614999	CITROEN	242
0388853	8W0407506C	AUDI	61	0390175	96133608	CITROEN	242
0388854	8W0407510A	AUDI	61	0390176	95563792	CITROEN	254
0388854	8W0407510B	AUDI	61	0390176	95602969	CITROEN	254
0388855	8W0407152A	AUDI	61	0390176	96070144	CITROEN	254
0388855	8W0407152C	AUDI	61	0390177	7636995	FIAT	345
0388856	8W0407694A	AUDI	62	0390211	352080 *	CITROEN	244, 297
0388856	8W0407694B	AUDI	62	0390211	352080 *	PEUGEOT	1091
0388857	8W0505324F	AUDI	62	0390211	352092 *	CITROEN	244, 297
0388861	9800596580	CITROEN	269	0390211	352092 *	PEUGEOT	1091
0388861	9800596580	PEUGEOT	1123	0390211	9451135580 *	CITROEN	244, 297
0388867	LR034211	LAND ROVER	690	0390211	9451135580 *	PEUGEOT	1091
0388868	LR034217	LAND ROVER	690	0390229	31121138477	BMW	196
0388868	LR078476	LAND ROVER	690	0390250	1630155	FORD	431, 478, 481
0388869	LR034219	LAND ROVER	690, 695	0390250	1632767	FORD	431, 478, 481
0388869	LR072471	LAND ROVER	690, 695	0390250	1640854	FORD	431, 478, 481
0388872	LR044841	LAND ROVER	695	0390250	1656749	FORD	431, 478, 481
0388873	LR045242	LAND ROVER	695	0390250	5021463	FORD	431, 478, 481
0388873	LR078477	LAND ROVER	695	0390263	31121114700	BMW	138
0388880	31121130090 *	BMW	187, 196	0390264	31121123025	BMW	138
0388880	31121130598 *	BMW	187, 196	0390268	31121108384	BMW	158
0388880	31121140000 *	BMW	187, 196	0390270	31121124401	BMW	160, 162, 186
0388883	1877652	FORD	455	0390270	31121124587	BMW	160, 162, 186
0388885	2180767	FORD	472	0390270	31121131587	BMW	160, 162, 186
0388890	50533327	ALFA ROMEO	23	0390270	31121139991	BMW	160, 162, 186
0388891	50541783	ALFA ROMEO	23	0390271	31121125549	BMW	160
0388891	50547026	ALFA ROMEO	23	0390271	31121125551	BMW	160
0388892	50541776	ALFA ROMEO	23	0390271	31121127141	BMW	160
0388892	50545110	ALFA ROMEO	23	0390271	31121132345	BMW	160
0388892	50552623	ALFA ROMEO	23	0390271	31121132353	BMW	160
0388897	50539880	ALFA ROMEO	29	0390272	31121125549 *	BMW	160
0388898	50535567	ALFA ROMEO	29	0390272	31121125551 *	BMW	160
0388898	50542853	ALFA ROMEO	29	0390272	31121127141 *	BMW	160
0388898	50547028	ALFA ROMEO	29	0390272	31121132345 *	BMW	160
0388899	50552328	ALFA ROMEO	29	0390272	31121132353 *	BMW	160
0389282	48068-53010	LEXUS	700	0390276	31121118130	BMW	184
0389282	48068-59025	LEXUS	700	0390276	31121129362	BMW	184
0389285	48068-30290	LEXUS	699	0390277	31121118355	BMW	184
0389285	48068-30300	LEXUS	699	0390301	437407151A	AUDI	120, 122
0389286	48610-39015	LEXUS	699	0390301	437407155A	AUDI	120, 122
0389295	2183301211	MERCEDES	781				

RIF. OCAP OCAP REF.	RIF. ORIG. O.E. NUMBER	MARCA MAKE	PAG.	RIF. OCAP OCAP REF.	RIF. ORIG. O.E. NUMBER	MARCA MAKE	PAG.
0390301	443407151A	AUDI	120, 122	0390412	801287	FORD	426
0390307	3520K6	PEUGEOT	1144, 1148	0390446	46402681	FIAT	339, 380
0390308	352072	PEUGEOT	1145	0390446	46402681	LANCIA	670
0390313	352078	CITROEN	243, 297	0390446	46402683	FIAT	339, 380
0390313	352078	PEUGEOT	1090	0390446	46402683	LANCIA	670
0390313	95658978	CITROEN	243, 297	0390446	46429834	FIAT	339, 380
0390313	95658978	PEUGEOT	1090	0390446	46429834	LANCIA	670
0390376	31121094275	BMW	143, 212	0390446	46430002	FIAT	339, 380
0390376	31121136529	BMW	143, 212	0390446	46430002	LANCIA	670
0390376	31121140399	BMW	143, 212	0390446	7750977	FIAT	339, 380
0390376	31121140957	BMW	143, 212	0390446	7750977	LANCIA	670
0390376	31126758513	BMW	143, 212	0390487	3520G8	PEUGEOT	1097
0390376	31126758515	BMW	143, 212	0390565	352077	CITROEN	280
0390378	31121127725	BMW	140	0390565	352077	FIAT	358
0390386	46423824	ALFA ROMEO	2, 4-5, 8, 27	0390565	352077	PEUGEOT	1078
0390386	46423824	FIAT	341, 347, 369	0390565	7567283	CITROEN	280
0390386	46423824	LANCIA	659	0390565	7567283	FIAT	358
0390386	46462626	ALFA ROMEO	2, 4-5, 8, 27	0390565	7567283	PEUGEOT	1078
0390386	46462626	FIAT	341, 347, 369	0390565	7695186	CITROEN	280
0390386	46462626	LANCIA	659	0390565	7695186	FIAT	358
0390386	46474556	ALFA ROMEO	2, 4-5, 8, 27	0390565	7695186	PEUGEOT	1078
0390386	46474556	FIAT	341, 347, 369	0390605	3520-34	PEUGEOT	1088
0390386	46474556	LANCIA	659	0390605	352034	PEUGEOT	1088
0390386	60586771	ALFA ROMEO	2, 4-5, 8, 27	0390605	7700586241	RENAULT	1232, 1234
0390386	60586771	FIAT	341, 347, 369	0390605	7901352035	TALBOT	1446
0390386	60586771	LANCIA	659	0390605	91504354	CITROEN	278
0390386	60809813	ALFA ROMEO	2, 4-5, 8, 27	0390605	91504354	PEUGEOT	1087
0390386	60809813	FIAT	341, 347, 369	0390605	91504358	CITROEN	278, 294, 299-300
0390386	60809813	LANCIA	659	0390605	91504358	PEUGEOT	1087
0390386	60811770	ALFA ROMEO	2, 4-5, 8, 27	0390644	5021459	FORD	429
0390386	60811770	FIAT	341, 347, 369	0390645	1637184	FORD	429
0390386	60811770	LANCIA	659	0390649	EIFZ3079A	FORD	484
0390386	60812796	ALFA ROMEO	2, 4-5, 8, 27	0390649	K8423	FORD	484
0390386	60812796	FIAT	341, 347, 369	0390653	6087889	FORD	429
0390386	60812796	LANCIA	659	0390653	6115336	FORD	429
0390386	60813013	ALFA ROMEO	2, 4-5, 8, 27	0390657	5021461	FORD	481
0390386	60813013	FIAT	341, 347, 369	0390657	6114615	FORD	481
0390386	60813013	LANCIA	659	0390657	6133284	FORD	481
0390386	71738285	ALFA ROMEO	2, 4-5, 8, 27	0390723	1263300607	MERCEDES	816
0390386	71738285	FIAT	341, 347, 369	0391000	1376755	FIAT	344
0390386	71738285	LANCIA	659	0391025	33306773941	BMW	165, 167, 170
0390386	7780443	ALFA ROMEO	2, 4-5, 8, 27	0391025	33321090815	BMW	165, 167, 170
0390386	7780443	FIAT	341, 347, 369	0391025	33321094209	BMW	165, 167, 170
0390386	7780443	LANCIA	659	0391025	33326759157	BMW	165, 167, 170
0390398	352086	CITROEN	304	0391025	33326767753	BMW	165, 167, 170
0390398	3520C1	CITROEN	304	0391025	33326767831	BMW	165, 167, 170
0390398	3520C2	CITROEN	304	0391025	33326767967	BMW	165, 167, 170
0390399	31121130823	BMW	141, 211	0391025	33326768789	BMW	165, 167, 170
0390405	352041	CITROEN	280	0391025	33326770839	BMW	165, 167, 170
0390405	352041	FIAT	358	0391025	33326774841	BMW	165, 167, 170
0390405	352041	PEUGEOT	1078	0391025	33326777425	BMW	165, 167, 170
0390405	4391814	CITROEN	280	0391026	31121093449	BMW	164
0390405	4391814	FIAT	358	0391026	31121094233	BMW	164
0390405	4391814	PEUGEOT	1078	0391032	31121142087	BMW	188
0390406	352076	CITROEN	280	0391033	31121141723	BMW	188
0390406	352076	FIAT	358	0391044	31121141721	BMW	189
0390406	352076	PEUGEOT	1078	0391140	1308759080	CITROEN	289
0390406	7576732	CITROEN	280	0391140	1308759080	FIAT	360
0390406	7576732	FIAT	358	0391140	1308759080	PEUGEOT	1073
0390406	7576732	PEUGEOT	1078	0391140	1317238080	CITROEN	289
0390406	7695191	CITROEN	280	0391140	1317238080	FIAT	360
0390406	7695191	FIAT	358	0391140	1317238080	PEUGEOT	1073
0390406	7695191	PEUGEOT	1078	0391140	1320755080	CITROEN	289
0390412	1460180	FORD	426	0391140	1320755080	FIAT	360

RIF. OCAP OCAP REF.	RIF. ORIG. O.E. NUMBER	MARCA MAKE	PAG.	RIF. OCAP OCAP REF.	RIF. ORIG. O.E. NUMBER	MARCA MAKE	PAG.
0391140	1320755080	PEUGEOT	1073	0391184	71737047	PEUGEOT	1150
0391140	3520.96	CITROEN	289	0391351	60627290	ALFA ROMEO	16
0391140	3520.96	FIAT	360	0391351	60665804	ALFA ROMEO	16
0391140	3520.96	PEUGEOT	1073	0391351	60695895	ALFA ROMEO	16
0391140	352096	CITROEN	289	0391352	60653551	ALFA ROMEO	17
0391140	352096	FIAT	360	0391352	60666021	ALFA ROMEO	17
0391140	352096	PEUGEOT	1073	0391368	46525407	FIAT	370
0391141	1308600080	CITROEN	288	0391368	46525407	LANCIA	664
0391141	1308600080	FIAT	359	0391368	46764746	FIAT	370
0391141	1308600080	PEUGEOT	1072	0391368	46764746	LANCIA	664
0391141	1317240080	CITROEN	288	0391368	51832937	FIAT	370
0391141	1317240080	FIAT	359	0391368	51832937	LANCIA	664
0391141	1317240080	PEUGEOT	1072	0391385	8N0407151A	AUDI	97
0391141	1320786080	CITROEN	288	0391385	8N0407151D	AUDI	97
0391141	1320786080	FIAT	359	0391392	31121141717	BMW	164
0391141	1320786080	PEUGEOT	1072	0391397	31121092609	BMW	166
0391141	3520.95	CITROEN	288	0391397	31121092819	BMW	166
0391141	3520.95	FIAT	359	0391397	32211092609	BMW	166
0391141	3520.95	PEUGEOT	1072	0391398	31121092609 *	BMW	166
0391141	352095	CITROEN	288	0391446	1331938080	CITROEN	288
0391141	352095	FIAT	359	0391446	1331938080	FIAT	359
0391141	352095	PEUGEOT	1072	0391446	1331938080	PEUGEOT	1072
0391184	1313083080	CITROEN	292	0391446	1339465080	CITROEN	288
0391184	1313083080	FIAT	387-388, 398	0391446	1339465080	FIAT	359
0391184	1313083080	LANCIA	674	0391446	1339465080	PEUGEOT	1072
0391184	1313083080	PEUGEOT	1150	0391446	3520.N3	CITROEN	288
0391184	1316735080	CITROEN	292	0391446	3520.N3	FIAT	359
0391184	1316735080	FIAT	387-388, 398	0391446	3520.N3	PEUGEOT	1072
0391184	1316735080	LANCIA	674	0391446	3520N3	CITROEN	288
0391184	1316735080	PEUGEOT	1150	0391446	3520N3	FIAT	359
0391184	1317389080	CITROEN	292	0391446	3520N3	PEUGEOT	1072
0391184	1317389080	FIAT	387-388, 398	0391451	1331937080	CITROEN	289
0391184	1317389080	LANCIA	674	0391451	1331937080	FIAT	360
0391184	1317389080	PEUGEOT	1150	0391451	1331937080	PEUGEOT	1073
0391184	1322663080	CITROEN	292	0391451	1339464080	CITROEN	289
0391184	1322663080	FIAT	387-388, 398	0391451	1339464080	FIAT	360
0391184	1322663080	LANCIA	674	0391451	1339464080	PEUGEOT	1073
0391184	1322663080	PEUGEOT	1150	0391451	3520.N4	CITROEN	289
0391184	1333754080	CITROEN	292	0391451	3520.N4	FIAT	360
0391184	1333754080	FIAT	387-388, 398	0391451	3520.N4	PEUGEOT	1073
0391184	1333754080	LANCIA	674	0391451	3520N4	CITROEN	289
0391184	1333754080	PEUGEOT	1150	0391451	3520N4	FIAT	360
0391184	352094	CITROEN	292	0391451	3520N4	PEUGEOT	1073
0391184	352094	FIAT	387-388, 398	0391494	4418212	NISSAN	939
0391184	352094	LANCIA	674	0391494	4418212	OPEL	1049
0391184	352094	PEUGEOT	1150	0391494	4418212	RENAULT	1209
0391184	3520C3	CITROEN	292	0391494	4418212	VAUXHALL	1561
0391184	3520C3	FIAT	387-388, 398	0391494	4500092	NISSAN	939
0391184	3520C3	LANCIA	674	0391494	4500092	OPEL	1049
0391184	3520C3	PEUGEOT	1150	0391494	4500092	RENAULT	1209
0391184	3520C5	CITROEN	292	0391494	4500092	VAUXHALL	1561
0391184	3520C5	FIAT	387-388, 398	0391494	54501-00QAC	NISSAN	939
0391184	3520C5	LANCIA	674	0391494	54501-00QAC	OPEL	1049
0391184	3520C5	PEUGEOT	1150	0391494	54501-00QAC	RENAULT	1209
0391184	3520G9	CITROEN	292	0391494	54501-00QAC	VAUXHALL	1561
0391184	3520G9	FIAT	387-388, 398	0391494	54501-00QAD	NISSAN	939
0391184	3520G9	LANCIA	674	0391494	54501-00QAD	OPEL	1049
0391184	3520G9	PEUGEOT	1150	0391494	54501-00QAD	RENAULT	1209
0391184	3520P4	CITROEN	292	0391494	54501-00QAD	VAUXHALL	1561
0391184	3520P4	FIAT	387-388, 398	0391494	54501-00QAE	NISSAN	939
0391184	3520P4	LANCIA	674	0391494	54501-00QAE	OPEL	1049
0391184	3520P4	PEUGEOT	1150	0391494	54501-00QAE	RENAULT	1209
0391184	71737047	CITROEN	292	0391494	54501-00QAE	VAUXHALL	1561
0391184	71737047	FIAT	387-388, 398	0391494	7700302118	NISSAN	939
0391184	71737047	LANCIA	674	0391494	7700302118	OPEL	1049

RIF. OCAP OCAP REF.	RIF. ORIG. O.E. NUMBER	MARCA MAKE	PAG.	RIF. OCAP OCAP REF.	RIF. ORIG. O.E. NUMBER	MARCA MAKE	PAG.
0391494	7700302118	RENAULT	1209	0391825	2033303311	MERCEDES	768, 836
0391494	7700302118	VAUXHALL	1561	0391825	2043301911	MERCEDES	768, 836
0391494	7700309189	NISSAN	939	0391853	3520K8	CITROEN	253, 262, 268
0391494	7700309189	OPEL	1049	0391853	3520K8	PEUGEOT	1085, 1120
0391494	7700309189	RENAULT	1209	0391853	3520P3	CITROEN	253, 262, 268
0391494	7700309189	VAUXHALL	1561	0391853	3520P3	PEUGEOT	1085, 1120
0391494	9160392	NISSAN	939	0391853	3520S2	CITROEN	253, 262, 268
0391494	9160392	OPEL	1049	0391853	3520S2	PEUGEOT	1085, 1120
0391494	9160392	RENAULT	1209	0391859	50700797	FIAT	392
0391494	9160392	VAUXHALL	1561	0391872	31121096169	BMW	206
0391495	4418629	OPEL	1050	0391872	31126769717	BMW	206
0391495	8200750273	RENAULT	1210	0391873	31121096315	BMW	206
0391495	93194853	OPEL	1050	0391873	31126760275	BMW	206
0391500	3520H9	CITROEN	251, 311	0391879	31121094465	BMW	146, 215
0391500	3520H9	PEUGEOT	1084	0391879	31122282121	BMW	146, 215
0391500	3520J3	CITROEN	251, 311	0391879	31126751317	BMW	146, 215
0391500	3520J3	PEUGEOT	1082, 1084	0391879	31126752717	BMW	146, 215
0391500	3520Q3	CITROEN	251, 311	0391879	31126758519	BMW	146, 215
0391500	3520Q3	PEUGEOT	1082, 1084	0391879	31126774819	BMW	146, 215
0391500	3520Q4	CITROEN	251, 311	0391879	31126777851	BMW	146, 215
0391500	3520Q4	PEUGEOT	1084	0391879-K	31121094465 *	BMW	145, 215
0391500	3520V3	CITROEN	251, 311	0391879-K	31122282121 *	BMW	145, 215
0391500	3520V3	PEUGEOT	1082, 1084	0391879-K	31126751317 *	BMW	145, 215
0391513	3520K3	CITROEN	271	0391879-K	31126752717 *	BMW	145, 215
0391536	4419215	NISSAN	955	0391879-K	31126758519 *	BMW	145, 215
0391536	4419215	OPEL	1051	0391879-K	31126774819 *	BMW	145, 215
0391536	8200688871	RENAULT	1211	0391879-K	31126777851 *	BMW	145, 215
0391536	93197214	NISSAN	955	0391887	6025305572	RENAULT	1179, 1192
0391536	93197214	OPEL	1051	0391887	6025307649	RENAULT	1179, 1192
0391552	3520C0	PEUGEOT	1132	0391892	8D0407509	AUDI	56, 70
0391552	3520H1	PEUGEOT	1132	0391892	8D0407509	SEAT	1322
0391605	352050	CITROEN	278, 300	0391892	8D0407509	SKODA	1389
0391605	352050	PEUGEOT	1096	0391892	8D0407509	VOLKSWAGEN	1645
0391605	352051	CITROEN	278, 300	0391892	8D0407509A	AUDI	56, 70
0391605	352051	PEUGEOT	1096	0391892	8D0407509A	SEAT	1322
0391605	91516336	CITROEN	278, 300	0391892	8D0407509A	SKODA	1389
0391605	91516336	PEUGEOT	1096	0391892	8D0407509A	VOLKSWAGEN	1645
0391753	MB-831555	MITSUBISHI	914, 919	0391892	8D0407509F	AUDI	56, 70
0391756	MR-316051	MITSUBISHI	915	0391892	8D0407509F	SEAT	1322
0391758	MR-316053	MITSUBISHI	920	0391892	8D0407509F	SKODA	1389
0391761	MB-912509	MITSUBISHI	882-883	0391892	8D0407509F	VOLKSWAGEN	1645
0391761	MR-162579	MITSUBISHI	882-883	0391892	8E0407509C	AUDI	56, 70
0391761	MR-296295	MITSUBISHI	882-883	0391892	8E0407509C	SEAT	1322
0391761	MR-325576	MITSUBISHI	882-883	0391892	8E0407509C	SKODA	1389
0391762	MB-912511	MITSUBISHI	882-883	0391892	8E0407509C	VOLKSWAGEN	1645
0391762	MR-162581	MITSUBISHI	882-883	0391892	8E0407509P	AUDI	56, 70
0391762	MR-296289	MITSUBISHI	882-883	0391892	8E0407509P	SEAT	1322
0391794	2033300111	MERCEDES	768, 836	0391892	8E0407509P	SKODA	1389
0391794	2033301611	MERCEDES	768, 836	0391892	8E0407509P	VOLKSWAGEN	1645
0391794	2033303511	MERCEDES	768, 836	0391900	8E0407505A	AUDI	53, 56, 70
0391794	2033303911	MERCEDES	768, 836	0391900	8E0407505A	SKODA	1389
0391803	8Z0407151J	AUDI	37	0391900	8E0407505C	AUDI	53, 56, 70
0391808	51360-SR3-020	HONDA	513	0391900	8E0407505C	SEAT	1322
0391808	51360-SR3-020	ROVER GROUP	1291	0391900	8E0407505C	SKODA	1389
0391808	51360-SR3-A01	HONDA	513	0391900	8E0407505C	VOLKSWAGEN	1645
0391808	51360-SR3-A01	ROVER GROUP	1291	0391900	8E0407505D	SEAT	1322
0391808	51360-SR3-A02	HONDA	513	0391900	8E0407505E	SEAT	1322
0391808	51360-SR3-A02	ROVER GROUP	1291	0391900	8E0407505L	SEAT	1322
0391808	51360-ST7-010	HONDA	513	0391900	8E0407505P	SEAT	1322
0391808	51360-ST7-010	ROVER GROUP	1291	0391900	8EO407505A	VOLKSWAGEN	1645
0391808	RBJ102230	HONDA	513	0391948	45202-60G00	SUZUKI	1425
0391808	RBJ102230	ROVER GROUP	1291	0391948	45202-63G01	SUZUKI	1425
0391809	RBJ102250	ROVER GROUP	1291	0391951	1633300407	MERCEDES	804
0391811	GSJ1001	ROVER GROUP	1293	0391952	1633330001	MERCEDES	804
0391825	2033301911	MERCEDES	768, 836	0391961	31121092023	BMW	164

RIF. OCAP OCAP REF.	RIF. ORIG. O.E. NUMBER	MARCA MAKE	PAG.	RIF. OCAP OCAP REF.	RIF. ORIG. O.E. NUMBER	MARCA MAKE	PAG.
0392043	4D0407693AC	AUDI	50, 53, 67, 70, 78, 80	0392044	8D0407505H	SKODA	1389
0392043	4D0407693AC	SKODA	1389	0392044	8D0407505H	VOLKSWAGEN	1642, 1645
0392043	4D0407693AC	VOLKSWAGEN	1642, 1645	0392044	8D0407505K	AUDI	50, 67
0392043	4D0407693AD	AUDI	50, 53, 67, 70, 78, 80	0392044	8D0407505K	SKODA	1389
0392043	4D0407693AD	SKODA	1389	0392044	8D0407505K	VOLKSWAGEN	1642, 1645
0392043	4D0407693AD	VOLKSWAGEN	1642, 1645	0392045	4D0407509B	AUDI	50, 78
0392043	4D0407693E	AUDI	50, 53, 67, 70, 78, 80	0392045	4D0407509B	VOLKSWAGEN	1642
0392043	4D0407693E	SKODA	1389	0392045	4D0407509D	AUDI	50, 78
0392043	4D0407693E	VOLKSWAGEN	1642, 1645	0392045	4D0407509D	VOLKSWAGEN	1642
0392043	4D0407693G	AUDI	50, 53, 67, 70, 78, 80	0392045	4D0407509K	AUDI	50, 78
0392043	4D0407693G	SKODA	1389	0392045	4D0407509K	VOLKSWAGEN	1642
0392043	4D0407693G	VOLKSWAGEN	1642, 1645	0392045	8D0407509G	AUDI	50, 78
0392043	4D0407693H	AUDI	50, 53, 67, 70, 78, 80	0392045	8D0407509G	VOLKSWAGEN	1642
0392043	4D0407693H	SKODA	1389	0392047	4D0407509F	AUDI	50, 53, 67, 79- 80
0392043	4D0407693H	VOLKSWAGEN	1642, 1645	0392047	4D0407509F	SKODA	1389
0392043	4D0407693K	AUDI	50, 53, 67, 70, 78, 80	0392047	4D0407509F	VOLKSWAGEN	1642, 1645
0392043	4D0407693K	SKODA	1389	0392047	4D0407509G	AUDI	50, 53, 67, 79- 80
0392043	4D0407693K	VOLKSWAGEN	1642, 1645	0392047	4D0407509G	SKODA	1389
0392043	4D0407693M	AUDI	50, 53, 67, 70, 78, 80	0392047	4D0407509G	VOLKSWAGEN	1642, 1645
0392043	4D0407693M	SKODA	1389	0392047	4D0407509H	AUDI	50, 53, 67, 79- 80
0392043	4D0407693M	VOLKSWAGEN	1642, 1645	0392047	4D0407509H	SKODA	1389
0392043	4D0407693N	AUDI	50, 53, 67, 70, 78, 80	0392047	4D0407509H	VOLKSWAGEN	1642, 1645
0392043	4D0407693N	SKODA	1389	0392047	4D0407509J	AUDI	50, 53, 67, 79- 80
0392043	4D0407693N	VOLKSWAGEN	1642, 1645	0392047	4D0407509J	SKODA	1389
0392043	8E0407693	AUDI	50, 53, 67, 70, 78, 80	0392047	4D0407509J	VOLKSWAGEN	1642, 1645
0392043	8E0407693	SKODA	1389	0392047	8D0407509C	AUDI	50, 53, 67, 79- 80
0392043	8E0407693	VOLKSWAGEN	1642, 1645	0392047	8D0407509C	SKODA	1389
0392043	8E0407693AG	AUDI	50, 53, 67, 70, 78, 80	0392047	8D0407509C	VOLKSWAGEN	1642, 1645
0392043	8E0407693AG	SKODA	1389	0392047	8D0407509E	AUDI	50, 53, 67, 79- 80
0392043	8E0407693AG	VOLKSWAGEN	1642, 1645	0392047	8D0407509E	SKODA	1389
0392043	8E0407693E	AUDI	50, 53, 67, 70, 78, 80	0392047	8D0407509E	VOLKSWAGEN	1642, 1645
0392043	8E0407693E	SKODA	1389	0392047	8E0407509A	AUDI	50, 53, 67, 79- 80
0392043	8E0407693E	VOLKSWAGEN	1642, 1645	0392047	8E0407509A	SKODA	1389
0392043	8E0407693H	AUDI	50, 53, 67, 70, 78, 80	0392047	8E0407509A	VOLKSWAGEN	1642, 1645
0392043	8E0407693H	SKODA	1389	0392060	6114617	FORD	481
0392043	8E0407693H	VOLKSWAGEN	1642, 1645	0392060	6149940	FORD	481
0392043	8E0407693K	AUDI	50, 53, 67, 70, 78, 80	0392064	4A0407151	AUDI	64, 123
0392043	8E0407693K	SKODA	1389	0392065	31121133237	BMW	162, 186
0392043	8E0407693K	VOLKSWAGEN	1642, 1645	0392065	31121139987	BMW	162, 186
0392043	8E0407693P	AUDI	50, 53, 67, 70, 78, 80	0392125	31126768983	BMW	152, 197
0392043	8E0407693P	SKODA	1389	0392143	50704947	ALFA ROMEO	12
0392043	8E0407693P	VOLKSWAGEN	1642, 1645	0392143	51707481	ALFA ROMEO	12
0392043	8E0407693Q	AUDI	50, 53, 67, 70, 78, 80	0392143	51787337	ALFA ROMEO	12
0392043	8E0407693Q	SKODA	1389	0392143	51817623	ALFA ROMEO	12
0392043	8E0407693Q	VOLKSWAGEN	1642, 1645	0392149	50704306	ALFA ROMEO	13
0392044	8D0407505B	AUDI	50, 67	0392149	50707029	ALFA ROMEO	13
0392044	8D0407505B	SKODA	1389	0392149	50707316	ALFA ROMEO	13
0392044	8D0407505B	VOLKSWAGEN	1642, 1645	0392149	51795447	ALFA ROMEO	13
0392044	8D0407505F	AUDI	50, 67	0392149	51805471	ALFA ROMEO	13
0392044	8D0407505F	SKODA	1389	0392149	51842925	ALFA ROMEO	13
0392044	8D0407505F	VOLKSWAGEN	1642, 1645	0392180-K	1403305807	MERCEDES	818
0392044	8D0407505H	AUDI	50, 67	0392180-K	1403307607	MERCEDES	818
				0392186	31121104387	BMW	128
				0392204	1633500453	MERCEDES	805
				0392204	1633500553	MERCEDES	805
				0392275	50705083	FIAT	392
				0392297	8E0407693AA	AUDI	56
				0392297	8E0407693AA	SEAT	1321
				0392297	8E0407693AC	AUDI	56

RIF. OCAP OCAP REF.	RIF. ORIG. O.E. NUMBER	MARCA MAKE	PAG.	RIF. OCAP OCAP REF.	RIF. ORIG. O.E. NUMBER	MARCA MAKE	PAG.
0392297	8E0407693AC	SEAT	1321	0392551	0K552-34-350A	KIA	617
0392297	8E0407693AF	AUDI	56	0392551	0K552-34-350B	KIA	617
0392297	8E0407693AF	SEAT	1321	0392552	0K30B-34-350B	KIA	632
0392297	8E0407693AJ	AUDI	56	0392593	3520Q1	CITROEN	274
0392297	8E0407693AJ	SEAT	1321	0392593	3520Q1	PEUGEOT	1135
0392297	8E0407693AK	AUDI	56	0392593	3520S8	CITROEN	274
0392297	8E0407693AK	SEAT	1321	0392593	3520S8	PEUGEOT	1135
0392297	8E0407693AL	AUDI	56	0392638	1352227080	CITROEN	290
0392297	8E0407693AL	SEAT	1321	0392638	1352227080	FIAT	361
0392297	8E0407693AM	AUDI	56	0392638	1352227080	PEUGEOT	1074
0392297	8E0407693AM	SEAT	1321	0392639	1352228080	CITROEN	290
0392297	8E0407693N	AUDI	56	0392639	1352228080	FIAT	361
0392297	8E0407693N	SEAT	1321	0392639	1352228080	PEUGEOT	1074
0392297	8E0407693T	AUDI	56	0392649	8K0407151B	AUDI	57, 74, 76, 91
0392297	8E0407693T	SEAT	1321	0392649	8K0407151C	AUDI	57, 74, 76, 91
0392298	4E0407505B	AUDI	72, 83	0392649	8K0407151D	AUDI	57, 74, 76, 91
0392298	4E0407505B	VOLKSWAGEN	1655	0392650	8K0407693F	AUDI	57, 92
0392298	4E0407505E	AUDI	72, 83	0392650	8K0407693K	AUDI	57, 92
0392298	4E0407505E	VOLKSWAGEN	1655	0392650	8K0407693N	AUDI	57, 92
0392299	4E0407509B	AUDI	73, 83	0392652	8K0407505A	AUDI	58
0392299	4E0407509B	VOLKSWAGEN	1655	0392653	8K0407509A	AUDI	58
0392299	4E0407509E	AUDI	73, 83	0392653	8K0407509F	AUDI	58
0392299	4E0407509E	VOLKSWAGEN	1655	0392653	8K0407509N	AUDI	58
0392299	4E0407509G	AUDI	73, 83	0392669	1643301707	MERCEDES	807
0392299	4E0407509G	VOLKSWAGEN	1655	0392669	1643302507	MERCEDES	807
0392299	4E0407509K	AUDI	73, 83	0392669	1643302907	MERCEDES	807
0392299	4E0407509K	VOLKSWAGEN	1655	0392669	1643303407	MERCEDES	807
0392308	4E0407693F	AUDI	82	0392670	2513300707	MERCEDES	806, 812
0392308	4E0407693F	VOLKSWAGEN	1654	0392672	1643500606	MERCEDES	808, 813
0392308	4E0407693N	AUDI	82	0392672	1643501906	MERCEDES	808, 813
0392308	4E0407693N	VOLKSWAGEN	1654	0392678	2513301307	MERCEDES	812
0392317	272340	VOLVO	1730	0392678	2513301507	MERCEDES	812
0392325	3520K4	PEUGEOT	1129, 1131	0392678	2513301907	MERCEDES	812
0392327	4F0407693B	AUDI	72	0392680	8K0407151F	AUDI	58, 74, 76, 91
0392327	4F0407693C	AUDI	72	0392680	8K0407151F	PORSCHE	1174
0392327	4F0407693G	AUDI	72	0392680	8K0407151G	AUDI	58, 74, 76, 91
0392327	4F0407693H	AUDI	72	0392680	8K0407151G	PORSCHE	1174
0392334	7736514	FIAT	381	0392682	8K0505323F	AUDI	60, 93
0392334	7736514	LANCIA	671	0392682	8K0505323F	PORSCHE	1175
0392334-K	7736514 *	FIAT	381	0392682	8K0505323H	AUDI	60, 93
0392334-K	7736514 *	LANCIA	671	0392682	8K0505323H	PORSCHE	1175
0392335	7769900	FIAT	381	0392683	8K0501529K	AUDI	60, 93
0392335	7769900	LANCIA	671	0392683	8K0501529N	AUDI	60, 93
0392338	3520L7	PEUGEOT	1098	0392685	1540244	FORD	459
0392339	3520H7	PEUGEOT	1098	0392685	1580514	FORD	459
0392339	3520P2	PEUGEOT	1098	0392685	1639574	FORD	459
0392340	3520L8	PEUGEOT	1098	0392685	50709579	FIAT	415
0392340	3520V7	PEUGEOT	1098	0392685	50710621	FIAT	415
0392341	1633520001	MERCEDES	805	0392685	51857021	FIAT	415
0392341	1633520401	MERCEDES	805	0392685	9S513078AA	FORD	459
0392361	31126765997	BMW	179	0392693	2213302311	MERCEDES	824
0392363	33326775083	BMW	180, 192	0392693	2213306311	MERCEDES	824
0392371-K	2303500329	MERCEDES	793, 833	0392694	2213308107	MERCEDES	824
0392376	2303301307	MERCEDES	831	0392695	2213300307	MERCEDES	825
0392382	2103303707	MERCEDES	789	0392695	2213308907	MERCEDES	825
0392469	48069-87209	DAIHATSU	328-329	0392697	2213500706	MERCEDES	826
0392473	54410-3E000	KIA	637	0392698	2213501153	MERCEDES	826
0392473	54410-3E001	KIA	637	0392699	2213500206	MERCEDES	826
0392473	54410-3E002	KIA	637	0392711	2213500406	MERCEDES	826
0392473	544103E100	KIA	637	0392718	1356060080	CITROEN	276
0392535	51365-SK3-000	HONDA	519	0392718	1356060080	FIAT	399
0392535	GSJ286	ROVER GROUP	1282-1283, 1288-1289	0392718	1356060080	LANCIA	666
0392535	GSJ413	ROVER GROUP	1282-1283, 1288-1289	0392718	1356060080	PEUGEOT	1151
				0392718	1359398080	CITROEN	276
				0392718	1359398080	FIAT	399

RIF. OCAP OCAP REF.	RIF. ORIG. O.E. NUMBER	MARCA MAKE	PAG.	RIF. OCAP OCAP REF.	RIF. ORIG. O.E. NUMBER	MARCA MAKE	PAG.
0392718	1359398080	LANCIA	666	0393024	7700802343	RENAULT	1191
0392718	1359398080	PEUGEOT	1151	0393073	271628	VOLVO	1729
0392718	1363095080	CITROEN	276	0393073	271901	VOLVO	1729
0392718	1363095080	FIAT	399	0393073	8628495	VOLVO	1729
0392718	1363095080	LANCIA	666	0393073	9492530	VOLVO	1729
0392718	1363095080	PEUGEOT	1151	0393073	9492914	VOLVO	1729
0392718	1368628080	CITROEN	276	0393074	272336	VOLVO	1729, 1745
0392718	1368628080	FIAT	399	0393074	8628497	VOLVO	1729, 1745
0392718	1368628080	LANCIA	666	0393074	9492916	VOLVO	1729, 1745
0392718	1368628080	PEUGEOT	1151	0393078	51776327	ALFA ROMEO	10
0392722	4766543AA	CHRYSLER	238	0393078	51834093	ALFA ROMEO	10
0392722	4766543AC	CHRYSLER	238	0393078	60651939	ALFA ROMEO	10
0392722	4766543AD	CHRYSLER	238	0393078	60657245	ALFA ROMEO	10
0392723	7H0407151E	VOLKSWAGEN	1705	0393078	60666787	ALFA ROMEO	10
0392723	7H0407151F	VOLKSWAGEN	1705	0393080	50509340	ALFA ROMEO	9
0392723	7H0407151G	VOLKSWAGEN	1705	0393080	60652465	ALFA ROMEO	9
0392724	31103443127	BMW	201	0393080	60678134	ALFA ROMEO	9
0392734	1497408080	CITROEN	293	0393080	60686891	ALFA ROMEO	9
0392734	1497408080	FIAT	389	0393102	48067-29075	TOYOTA	1499
0392734	1497408080	PEUGEOT	1076	0393102	48067-29085	TOYOTA	1499
0392734	3520R8	CITROEN	293	0393149	3520V2	CITROEN	264
0392734	3520R8	PEUGEOT	1076	0393149	3520V2	PEUGEOT	1121
0392745	C2Z2279	JAGUAR	594, 598	0393208	7700834916	RENAULT	1215
0392745	XR822285	JAGUAR	594, 598	0393219	2043304311	MERCEDES	771, 838
0392745	XR842383	JAGUAR	594, 598	0393219	2043308711	MERCEDES	771, 838
0392745	XR857079	JAGUAR	594, 598	0393221	2043303111	MERCEDES	771, 838
0392745	XR857653	JAGUAR	594, 598	0393221	2043306711	MERCEDES	771, 838
0392746	XR81764	JAGUAR	592	0393225	2043501506	MERCEDES	772, 776, 796, 801
0392746	XR852091	JAGUAR	592	0393225	2053506103	MERCEDES	772, 776, 796, 801
0392746	XR856013	JAGUAR	592	0393226	2043502106	MERCEDES	772, 776, 796, 801, 803
0392747	XR817610	JAGUAR	592	0393226	2043503306	MERCEDES	772, 776, 796, 801, 803
0392747	XR822852	JAGUAR	592	0393227	2043500553	MERCEDES	772, 776, 796, 801, 803
0392747	XR846023	JAGUAR	592	0393227	2053506503	MERCEDES	772, 776, 796, 801, 803
0392747	XR851825	JAGUAR	592	0393231	31126773949	BMW	208
0392747	XR88758	JAGUAR	592	0393233	31126771893	BMW	208
0392759	GJ6A-34-J50B	MAZDA	721	0393234	31126776417	BMW	208
0392759	GJ6A-34-J50C	MAZDA	721	0393237	33324046917	BMW	209
0392759	GJ6A-34-J50D	MAZDA	721	0393237	33326770963	BMW	209
0392767	51360-S2A-000	HONDA	538	0393237	33326779387	BMW	209
0392779	48069-97202	DAIHATSU	329	0393237	33326795047	BMW	209
0392791	0K552-28-350B	KIA	617	0393238	33326770969	BMW	209
0392791	0K552-28-350C	KIA	617	0393238	33326796001	BMW	209
0392851	352037	PEUGEOT	1106-1107	0393256	51857135	FIAT	377
0392857	31121132159	BMW	162	0393257	51835397	ALFA ROMEO	12
0392857	31121133711	BMW	162	0393260	54500-FD000	KIA	632
0392857	31121141097	BMW	162	0393266	8K0407505B	AUDI	59, 75, 77, 92
0392857	31122226581	BMW	162	0393266	8K0407505B	PORSCHE	1174
0392858	31121132159 *	BMW	162	0393266	8K0407505M	AUDI	59, 75, 77, 92
0392858	31121133711 *	BMW	162	0393266	8K0407505M	PORSCHE	1174
0392858	31121141097 *	BMW	162	0393267	8K0407509B	AUDI	59, 75, 77, 92
0392858	31122226581 *	BMW	162	0393267	8K0407509B	PORSCHE	1174
0392862	31121130089	BMW	187, 196	0393267	8K0407509M	AUDI	59, 75, 77, 92
0392862	31121130597	BMW	187, 196	0393267	8K0407509M	PORSCHE	1174
0392862	31121139999	BMW	187, 196	0393277	48068-87710	DAIHATSU	330
0392877	31121141961	BMW	167	0393282	51360-TA0-A00	HONDA	509
0392897	46545660	FIAT	382	0393282	51360TA0A00	HONDA	509
0392897	46551732	FIAT	382	0393289	51360-SMG-E01	HONDA	517
0392897	51842192	FIAT	382	0393289	51360-SMG-E02	HONDA	517
0393007	441407151C	AUDI	101, 122	0393289	51360-SMG-E03	HONDA	517
0393007	441407155	AUDI	101, 122	0393289	51360-SMG-E04	HONDA	517
0393010	48069-87512	PIAGGIO	1157				
0393017	7700413493	RENAULT	1203				
0393017	7700823097	RENAULT	1203				
0393020	7700807580	RENAULT	1253				
0393020	7700823580	RENAULT	1253				

RIF. OCAP OCAP REF.	RIF. ORIG. O.E. NUMBER	MARCA MAKE	PAG.	RIF. OCAP OCAP REF.	RIF. ORIG. O.E. NUMBER	MARCA MAKE	PAG.
0393289	51360-SMG-E05	HONDA	517	0393875	545019956R	NISSAN	954
0393289	51360-SMG-E06	HONDA	517	0393875	545019956R	OPEL	1067
0393289	51360-SMG-E07	HONDA	517	0393875	545019956R	RENAULT	1269
0393306	48069-87705	DAIHATSU	322	0393875	6000618836	NISSAN	954
0393306	48069-87706	DAIHATSU	322	0393875	6000618836	OPEL	1067
0393325	48069-87706	DAIHATSU	323	0393875	6000618836	RENAULT	1269
0393804	12796013	FIAT	351	0393875	93868600	NISSAN	954
0393804	12796013	OPEL	1064	0393875	93868600	OPEL	1067
0393804	12796013	SAAB	1299	0393875	93868600	RENAULT	1269
0393804	12796013	VAUXHALL	1568	0393886	2203308907	MERCEDES	821
0393804	24413015	FIAT	351	0393973	1007602	FORD	451
0393804	24413015	OPEL	1064	0393973	1007602	SEAT	1307
0393804	24413015	SAAB	1299	0393973	1007602	VOLKSWAGEN	1676
0393804	24413015	VAUXHALL	1568	0393973	7M0407151B	FORD	451
0393804	352051	FIAT	351	0393973	7M0407151B	SEAT	1307
0393804	352051	OPEL	1064	0393973	7M0407151B	VOLKSWAGEN	1676
0393804	352051	SAAB	1299	0394015	352057	PEUGEOT	1126
0393804	352051	VAUXHALL	1568	0394015	352060	PEUGEOT	1126
0393804	51748653	FIAT	351	0394048	04694761AC	CHRYSLER	237
0393804	51748653	OPEL	1064	0394048	4694761	CHRYSLER	237
0393804	51748653	SAAB	1299	0394048	4694761AC	CHRYSLER	237
0393804	51748653	VAUXHALL	1568	0394101	352080	CITROEN	245, 298
0393817	1346384080	FIAT	399	0394101	352080	PEUGEOT	1091
0393817	1346384080	LANCIA	666	0394101	352092	CITROEN	245, 298
0393817	3520P6	CITROEN	276	0394101	352092	PEUGEOT	1091
0393817	3520P6	PEUGEOT	1151	0394101	9451135580	CITROEN	245, 298
0393817	3521H0	CITROEN	276	0394101	9451135580	PEUGEOT	1091
0393817	3521H0	PEUGEOT	1151	0394181	8Z0407151L	AUDI	37
0393817	93501487	FIAT	399	0394182	8Z0407151R	AUDI	37
0393817	93501487	LANCIA	666	0394183	8Z0407151S	AUDI	38
0393833	50703232	FIAT	367	0394209	31103412137	BMW	201
0393833	50703232	LANCIA	665, 672	0394214	31103415027	BMW	202
0393837	50703128	FIAT	377	0394214	31103418337	BMW	202
0393837	51857133	FIAT	377	0394214	31103426433	BMW	202
0393841	30635227	VOLVO	1724	0394214	31103451881	BMW	202
0393841	8623955	VOLVO	1724	0394214	31193412135	BMW	202
0393841	8649541	VOLVO	1724	0394218	31102348047	BMW	169
0393841	9692105	VOLVO	1724	0394218	31104026719	BMW	169
0393843	30635229	VOLVO	1724	0394218	31126760183	BMW	169
0393843	8649543	VOLVO	1724	0394218	31126765995	BMW	169
0393846	31124026453	BMW	191	0394218	31126774825	BMW	169
0393846	31126756101	BMW	191	0394221	31122347951	BMW	169
0393846	31126760519	BMW	191	0394221	31126760181	BMW	169
0393846	31126765993	BMW	191	0394221	31126768297	BMW	169
0393846	31126774831	BMW	191	0394228	51365-SM4-030	HONDA	504
0393847	31126755835	BMW	179, 191	0394228	51365-SM4-030	ROVER GROUP	1292
0393849	33306772241	BMW	170, 180, 192	0394228	51365-SM4-040	HONDA	504
0393849	33326758141	BMW	170, 180, 192	0394228	51365-SM4-040	ROVER GROUP	1292
0393849	33326767759	BMW	170, 180, 192	0394228	RBJ100720	HONDA	504
0393849	33326770775	BMW	170, 180, 192	0394228	RBJ100720	ROVER GROUP	1292
0393849	33326774793	BMW	170, 180, 192	0394232	31124036269	BMW	131, 151, 216
0393854	4543450	SAAB	1298	0394232	31126763703	BMW	131, 151, 216
0393859	2203304311	MERCEDES	821	0394232	31126763707	BMW	131, 151, 216
0393859	2203305711	MERCEDES	821	0394232	31126769797	BMW	131, 151, 216
0393860	2203305111	MERCEDES	822	0394232	31126769801	BMW	131, 151, 216
0393861	2203301407	MERCEDES	822	0394235	31122405859	BMW	131, 151
0393861	2203308307	MERCEDES	822	0394235	31126763699	BMW	131, 151
0393861	2203309307	MERCEDES	822	0394235	31126770849	BMW	131, 151
0393866	4248431	SAAB	1298	0394241	51365-SV4-000	HONDA	505
0393875	4422270	NISSAN	954	0394241	51365-SV7-A00	HONDA	505
0393875	4422270	OPEL	1067	0394274	2113308107	MERCEDES	792
0393875	4422270	RENAULT	1269	0394274	2113309107	MERCEDES	792
0393875	54501-00Q1M	NISSAN	954	0394276	2113301111	MERCEDES	792, 832
0393875	54501-00Q1M	OPEL	1067	0394276	2113301511	MERCEDES	792, 832
0393875	54501-00Q1M	RENAULT	1269	0394276	2113302911	MERCEDES	792, 832

RIF. OCAP OCAP REF.	RIF. ORIG. O.E. NUMBER	MARCA MAKE	PAG.	RIF. OCAP OCAP REF.	RIF. ORIG. O.E. NUMBER	MARCA MAKE	PAG.
0394276	2113304311	MERCEDES	792, 832	0394583	30760586	VOLVO	1725
0394276	2113304911	MERCEDES	792, 832	0394585	4G0407693D	AUDI	58, 92
0394276	2303301711	MERCEDES	792, 832	0394585	4G0407693D	PORSCHE	1175
0394281	3C0407151A **	VOLKSWAGEN	1680	0394585	4G0407693F	AUDI	58, 92
0394327	7L0407151C	PORSCHE	1171	0394585	4G0407693F	PORSCHE	1175
0394327	7L0407151C	VOLKSWAGEN	1685	0394585	4G0407693H	AUDI	58, 92
0394327	7L0407151E	PORSCHE	1171	0394585	4G0407693H	PORSCHE	1175
0394327	7L0407151E	VOLKSWAGEN	1685	0394585	4G0407693J	AUDI	58, 92
0394327	7L0407151H	PORSCHE	1171	0394585	4G0407693J	PORSCHE	1175
0394327	7L0407151H	VOLKSWAGEN	1685	0394585	8K0407693Q	AUDI	58, 92
0394327	95534101331	PORSCHE	1171	0394585	8K0407693Q	PORSCHE	1175
0394327	95534101730	PORSCHE	1171	0394585	8K0407693S	AUDI	58, 92
0394327	95534101732	PORSCHE	1171	0394585	8K0407693S	PORSCHE	1175
0394327	95534101733	PORSCHE	1171	0394585	8K0407693T	AUDI	58, 92
0394332	7L0407151F	AUDI	95	0394585	8K0407693T	PORSCHE	1175
0394332	7L0407151F	VOLKSWAGEN	1686	0394590	D201-34-350A	MAZDA	734
0394332	7L0407151J	AUDI	95	0394593	7L0407151K	AUDI	95
0394332	7L0407151J	VOLKSWAGEN	1686	0394593	7L0407151K	VOLKSWAGEN	1688
0394332	7L0407151K	AUDI	95	0394593	7L8407151D	AUDI	95
0394332	7L0407151K	VOLKSWAGEN	1686	0394593	7L8407151D	VOLKSWAGEN	1688
0394332	95534101761	AUDI	95	0394593	7L8407151E	AUDI	95
0394332	95534101761	PORSCHE	1171	0394593	7L8407151E	VOLKSWAGEN	1688
0394332	95534101761	VOLKSWAGEN	1686	0394593	7L8407151F	AUDI	95
0394348	30635231	VOLVO	1731	0394593	7L8407151F	VOLKSWAGEN	1688
0394348	307363387	VOLVO	1731	0394593	7P0407151E	AUDI	95
0394348	8649545	VOLVO	1731	0394593	7P0407151E	VOLKSWAGEN	1688
0394350	3520N6	CITROEN	272, 274	0394593	95834105300	AUDI	95
0394350	3520N6	PEUGEOT	1134, 1142	0394593	95834105300	PORSCHE	1171
0394366	51360-SEA-E01	HONDA	507	0394593	95834105300	VOLKSWAGEN	1688
0394376	1K0407151AC	AUDI	43	0394605	31126777743	BMW	172, 182
0394376	1K0407151AC	SEAT	1344	0394605	31126850605	BMW	172, 182
0394376	1K0407151AC	SKODA	1377	0394606	31126775971	BMW	171, 181
0394376	1K0407151AC	VOLKSWAGEN	1606, 1611, 1617, 1674, 1691	0394607	31126794203	BMW	171, 181
0394376	1K0407151M	AUDI	43	0394608	33324069467	BMW	195
0394376	1K0407151M	SEAT	1344	0394608	33326782131	BMW	195
0394376	1K0407151M	SKODA	1377	0394627	4417177	NISSAN	972
0394376	1K0407151M	VOLKSWAGEN	1606, 1611, 1617, 1674, 1691	0394627	4417177	OPEL	1066
0394377	1K0407151AC *	AUDI	43	0394627	4417177	RENAULT	1268
0394377	1K0407151AC *	SEAT	1344	0394627	4418225	NISSAN	972
0394377	1K0407151AC *	SKODA	1377	0394627	4418225	OPEL	1066
0394377	1K0407151AC *	VOLKSWAGEN	1606, 1611, 1617, 1674, 1691	0394627	4418225	RENAULT	1268
0394377	1K0407151M *	AUDI	43	0394627	4421647	NISSAN	972
0394377	1K0407151M *	SEAT	1344	0394627	4421647	OPEL	1066
0394377	1K0407151M *	SKODA	1377	0394627	4421647	RENAULT	1268
0394377	1K0407151M *	VOLKSWAGEN	1606, 1611, 1617, 1674, 1691	0394627	54503-00Q0C	NISSAN	972
0394386	3520.X7	PEUGEOT	1135	0394627	54503-00Q0C	OPEL	1066
0394386	3520X7	PEUGEOT	1135	0394627	54503-00Q0C	RENAULT	1268
0394463	3520.X6	CITROEN	272	0394627	8200395007	NISSAN	972
0394463	3520X6	CITROEN	272	0394627	8200395007	OPEL	1066
0394484	30639781	VOLVO	1734	0394627	8200395007	RENAULT	1268
0394484	30645845	VOLVO	1734	0394627	8200626959	NISSAN	972
0394484	30681615	VOLVO	1734	0394627	8200626959	OPEL	1066
0394484	31201005	VOLVO	1734	0394627	8200626959	RENAULT	1268
0394502	5021465	FORD	478	0394627	8200876659	NISSAN	972
0394502	6154287	FORD	478	0394627	8200876659	OPEL	1066
0394502	6194369	FORD	478	0394627	8200876659	RENAULT	1268
0394514	54501-8H310	NISSAN	1005	0394627	93862136	NISSAN	972
0394537	52400-SP0-013	HONDA	529	0394627	93862136	OPEL	1066
				0394627	93862136	RENAULT	1268
				0394629	54525-AV600	NISSAN	977
				0394629	54525-AV6001	NISSAN	977
				0394644	54525-VW100	NISSAN	1000
				0394644	54525-VX100	NISSAN	1000
				0395072	542150011	LDV	697
				0395162	33324069283	BMW	173, 183, 195

RIF. OCAP OCAP REF.	RIF. ORIG. O.E. NUMBER	MARCA MAKE	PAG.	RIF. OCAP OCAP REF.	RIF. ORIG. O.E. NUMBER	MARCA MAKE	PAG.
0395162	33326782135	BMW	173, 183, 195	0395592	5180607AB	CHRYSLER	240
0395167	13272605	CHEVROLET - DAEWOO	221	0395739	54501-1AA0A	NISSAN	952
0395167	13272605	OPEL	1023	0395739	54501-1AA1A	NISSAN	952
0395167	13321338	CHEVROLET - DAEWOO	221	0395739	54501-1AT0A	NISSAN	952
0395167	13321338	OPEL	1023	0395739	54501-1AT0B	NISSAN	952
0395167	13334022	CHEVROLET - DAEWOO	221	0395741	3520.Y0	PEUGEOT	1140
0395167	13334022	OPEL	1023	0395741	3520Y0	PEUGEOT	1140
0395167	352110	CHEVROLET - DAEWOO	221	0395742	2463301707	MERCEDES	759, 777
0395167	352110	OPEL	1023	0395742	2463304700	MERCEDES	759, 777
0395167	352492	CHEVROLET - DAEWOO	221	0395756	4766423AD	FIAT	366
0395167	352492	OPEL	1023	0395756	K04766423AA	FIAT	366
0395169	13273604	OPEL	1037	0395756	K04766423AB	FIAT	366
0395169	13273604	SAAB	1303	0395756	K04766423AC	FIAT	366
0395169	13318884	OPEL	1037	0395756	K04766423AD	FIAT	366
0395169	13318884	SAAB	1303	0395756	K04766423AE	FIAT	366
0395169	13318886	SAAB	1303	0395769	9800596680 **	PEUGEOT	1123
0395169	352050	OPEL	1037	0395771	2053305501	MERCEDES	774, 800
0395169	352050	SAAB	1303	0395772	2053301305	MERCEDES	774
0395169	352073	SAAB	1303	0395772	2053301505	MERCEDES	774
0395169	352869	OPEL	1037	0395772	2053304303	MERCEDES	774
0395169	352869	SAAB	1303	0395773	2053301907	MERCEDES	775
0395170	13219162	OPEL	1038	0395773	2053305901	MERCEDES	775
0395170	13219162	SAAB	1304	0395773	2053306101	MERCEDES	775
0395170	13318344	OPEL	1038	0395773	A2053306101	MERCEDES	775
0395170	13318344	SAAB	1304	0395775	LR024473	LAND ROVER	692
0395170	423042	OPEL	1038	0395775	LR045802	LAND ROVER	692
0395170	423042	SAAB	1304	0395775	LR078657	LAND ROVER	692
0395170	423073	OPEL	1038	0395776	97034105304	PORSCHE	1176
0395170	423073	SAAB	1304	0395777	97034105323	PORSCHE	1177
0395171	5175CC	CITROEN	273, 275	0395777	97034105324	PORSCHE	1177
0395171	5175CC	PEUGEOT	1136, 1141, 1143	0395782	4H0407151A	AUDI	84
0395171	9801145880	PEUGEOT	1143	0395782	4H0407151B	AUDI	84
0395172	8J0407151D **	AUDI	99	0395784	1663300107	MERCEDES	809
0395175	4440108000	SSANGYONG	1409	0395785	1663301707	MERCEDES	809
0395181	45202-65D00	SUZUKI	1428	0395787	1663500906	MERCEDES	810
0395181	45202-65D01	SUZUKI	1428	0395788	55121-JD000	NISSAN	982, 984, 1007
0395181	45202-67D01	SUZUKI	1428	0395788	55121-JD000	RENAULT	1197
0395340	31122229453	BMW	148	0395788	55121-JD00B	NISSAN	982, 984, 1007
0395344	2213307107	MERCEDES	824	0395788	55121-JD00B	RENAULT	1197
0395344	2213308707	MERCEDES	824	0396492	2123302711	MERCEDES	794
0395345	2123302911	MERCEDES	795	0396495	4H0407693C	AUDI	84
0395346	2123302711 *	MERCEDES	794	0396495	4H0407693D	AUDI	84
0395348	RBJ000130	LAND ROVER	689	0396495	4H0407693E	AUDI	84
0395348	RBJ018344	LAND ROVER	689	0396495	4H0407693G	AUDI	84
0395496	54500-3Z000	HYUNDAI	556	0396496	4H0407505D	AUDI	85
0395499	48069-48010	LEXUS	703	0396496	4H0407505E	AUDI	85
0395545	7L0505397	AUDI	96	0396496	4H0407505F	AUDI	85
0395545	7L0505397	PORSCHE	1172	0396497	4H0407509E	AUDI	85
0395545	7L0505397	VOLKSWAGEN	1687, 1689	0398062	55502-CA000	NISSAN	951
0395556	31106787673	BMW	203	0398062	55502-CA00A	NISSAN	951
0395557	31126787669	BMW	203	0398065	4440109010	SSANGYONG	1406, 1409
0395560	31129804431	MINI	863	0398065	4440109011	SSANGYONG	1406, 1409
0395560	31129806519	MINI	863	0398081	31124083311	BMW	176, 193
0395563	31126777739	BMW	177, 194	0398081	31126775959	BMW	176, 193
0395564	33326779847	BMW	178	0398082	31126775963	BMW	176, 193
0395585	NE51-34-350C	MAZDA	741	0398082	31126798107	BMW	176, 193
0395585	NE51-34-350D	MAZDA	741	0398085	31126855741	BMW	133, 154, 156
0395589	45202-54G01	SUZUKI	1432	0398086	31126852991	BMW	133, 154, 156
0395591	4782665AB	CHRYSLER	240	0398095	GS1D-34-350G	MAZDA	722
0395591	4782665AC	CHRYSLER	240	0398095	GS1D-34-350H	MAZDA	722
0395591	4782665AE	CHRYSLER	240	0398095	GS1D-34-350J	MAZDA	722
0395592	4782613AC	CHRYSLER	240	0398095	GS1D-34-350L	MAZDA	722
0395592	4782613AD	CHRYSLER	240	0398098	352509	OPEL	1070
0395592	5180607AA	CHRYSLER	240	0398098	352549	OPEL	1070
				0398503	545056711R	RENAULT	1221, 1258

RIF. OCAP OCAP REF.	RIF. ORIG. O.E. NUMBER	MARCA MAKE	PAG.	RIF. OCAP OCAP REF.	RIF. ORIG. O.E. NUMBER	MARCA MAKE	PAG.
0398504	545054733R	RENAULT	1220	0399282	48069-59025	LEXUS	700
0398513	9800596680 *	CITROEN	269	0399285	48069-30290	LEXUS	699
0398516	2213307707	MERCEDES	825	0399285	48069-30300	LEXUS	699
0398517	2213306511	MERCEDES	825	0399286	48630-39015	LEXUS	699
0398523	31340128	VOLVO	1727	0399295	2183301111	MERCEDES	781
0398523	31429321	VOLVO	1727	0399296	2043308111	MERCEDES	802
0398526	31106861161	BMW	174	0400003	171407365C	PORSCHE	1165
0398527	31106861177	BMW	175	0400003	171407365C	VOLKSWAGEN	1592
0398529	33326861115	BMW	175	0400003	171407365D	PORSCHE	1165
0398529	33326870535	BMW	175	0400003	171407365D	VOLKSWAGEN	1592
0398666	1563300100	MERCEDES	759, 777	0400004	171407365F	PORSCHE	1165, 1167
0398666	1563300500	MERCEDES	759, 777	0400004	171407365F	VOLKSWAGEN	1592
0398666	A1563300100	MERCEDES	759, 777	0400004	171407365G	PORSCHE	1165, 1167
0398666	A1563300500	MERCEDES	759, 777	0400004	171407365G	VOLKSWAGEN	1592
0398667	1374223080	CITROEN	291	0400005	4104863	FIAT	403, 409, 411
0398667	1374223080	FIAT	362	0400005	4355787	FIAT	403, 409, 411
0398667	1374223080	PEUGEOT	1075	0400005	5880795	FIAT	403, 409, 411
0398667	1612735680	CITROEN	291	0400006	4104861	FIAT	409, 411
0398667	1612735680	FIAT	362	0400006	4140985	FIAT	409, 411
0398667	1612735680	PEUGEOT	1075	0400006	5880794	FIAT	409, 411
0398672	31126851691	BMW	210	0400007	4150178	FIAT	403
0398673	31124083309	BMW	172, 182	0400007	4356569	LANCIA	661
0398673	31126777733	BMW	172, 182	0400007	4365569	FIAT	403
0398677	1041570-00-B	TESLA	1452, 1454	0400008	7701455906	FORD	421
0398677	6007998-00-C	TESLA	1452, 1454	0400008	7701455906	RENAULT	1231, 1237
0398680	545049327R	RENAULT	1194	0400008	7701460885	RENAULT	1231, 1237
0398680	545050303R	RENAULT	1194	0400008	78MU3263A	FORD	421
0398680	545051645R	RENAULT	1194	0400008	BD8M3049	FORD	421
0398680	545053721R	RENAULT	1194	0400009	7701455905	FORD	421
0398680	545054231R	RENAULT	1194	0400009	7701455905	RENAULT	1231, 1237, 1244-1245
0398853	8W0407505A	AUDI	61	0400009	7701460886	FORD	421
0398853	8W0407505C	AUDI	61	0400009	7701460886	RENAULT	1231, 1237, 1244-1245
0398854	8W0407509A	AUDI	61	0400009	7701468820	FORD	421
0398854	8W0407509B	AUDI	61	0400009	7701468820	RENAULT	1231, 1237, 1244-1245
0398855	8W0407151A	AUDI	61	0400009	78MU3395A	FORD	421
0398855	8W0407151C	AUDI	61	0400009	81EU3395B	FORD	421
0398856	8W0407693A	AUDI	62	0400009	81EU3395B	FORD	421
0398856	8W0407693B	AUDI	62	0400082	1658595	FORD	489, 491-492
0398857	8W0505323F	AUDI	62	0400082	5021430	FORD	489, 491-492
0398861	9800596680	CITROEN	269	0400082	6154161	FORD	489, 491-492
0398861	9800596680	PEUGEOT	1123	0400082	6198474	FORD	489, 491-492
0398867	LR034214	LAND ROVER	690	0400092	40160-50A00	NISSAN	937, 980, 991, 996
0398868	LR034218	LAND ROVER	690	0400096	364026	CITROEN	280
0398868	LR078478	LAND ROVER	690	0400096	364026	FIAT	358
0398869	LR034220	LAND ROVER	690, 695	0400096	364026	PEUGEOT	1078
0398869	LR072469	LAND ROVER	690, 695	0400096	7567284	CITROEN	280
0398872	LR044844	LAND ROVER	695	0400096	7567284	FIAT	358
0398873	LR045243	LAND ROVER	695	0400096	7567284	PEUGEOT	1078
0398873	LR075479	LAND ROVER	695	0400097	364017	CITROEN	280
0398880	31121130089 *	BMW	187, 196	0400097	364017	FIAT	358
0398880	31121130597 *	BMW	187, 196	0400097	364017	PEUGEOT	1078
0398880	31121139999 *	BMW	187, 196	0400097	364018	CITROEN	280
0398883	1877653	FORD	455	0400097	364018	FIAT	358
0398885	2180769	FORD	472	0400097	364018	PEUGEOT	1078
0398890	50533329	ALFA ROMEO	23	0400097	364018	CITROEN	280
0398891	50541785	ALFA ROMEO	23	0400097	364018	FIAT	358
0398891	50547027	ALFA ROMEO	23	0400097	364018	PEUGEOT	1078
0398892	50541778	ALFA ROMEO	23	0400097	364029	CITROEN	280
0398892	50545125	ALFA ROMEO	23	0400097	364029	FIAT	358
0398892	50552625	ALFA ROMEO	23	0400097	364029	PEUGEOT	1078
0398897	50539881	ALFA ROMEO	29	0400097	4388159	CITROEN	280
0398898	50535568	ALFA ROMEO	29	0400097	4388159	FIAT	358
0398898	50547029	ALFA ROMEO	29	0400097	4388159	PEUGEOT	1078
0398899	50552330	ALFA ROMEO	29	0400099	2101-2904063	LADA	649
0399282	48069-53010	LEXUS	700	0400099	21012904063	LADA	649

RIF. OCAP OCAP REF.	RIF. ORIG. O.E. NUMBER	MARCA MAKE	PAG.	RIF. OCAP OCAP REF.	RIF. ORIG. O.E. NUMBER	MARCA MAKE	PAG.
0400099	2101-2904082	LADA	649	0400340	S08334510	KIA	614
0400099	21012904082	LADA	649	0400340	S083-99-356	KIA	614
0400100	21012904192	LADA	646, 649	0400340	S08399356	KIA	614
0400101	82346006	LANCIA	654-655	0400340	S083-99-356	MAZDA	730
0400102	1591066	FORD	432	0400340	S083993569A	KIA	614
0400102	5021425	FORD	432	0400343	E17Z-3049A	MAZDA	744
0400102	6111394	FORD	432	0400343	UA01-99-354	MAZDA	744
0400106	5100555	LAMBORGHINI	651	0400344	E17Z-3050A	MAZDA	744
0400106	TR12844	LAMBORGHINI	651	0400344	UA01-99-356	MAZDA	744
0400140	115420240	SKODA	1367, 1398	0400349	0G030-34-550B	FORD	463
0400140	6U0407365	SKODA	1367, 1398	0400349	0G030-34-550B	KIA	622
0400167	1H0407365	SEAT	1356	0400349	0G030-34-550B	MAZDA	724-727, 742, 746-747
0400167	1H0407365	VOLKSWAGEN	1600	0400349	EC01-34-300J *	FORD	463
0400167	1H0407365A	SEAT	1356	0400349	EC01-34-300J *	KIA	622
0400167	1H0407365A	VOLKSWAGEN	1600	0400349	EC01-34-300J *	MAZDA	724-727, 742, 746-747
0400199	364036	CITROEN	243, 297	0400349	G030-99-356	FORD	463
0400199	364036	PEUGEOT	1090	0400349	G030-99-356	KIA	622
0400199	96093233	CITROEN	243, 297	0400349	G030-99-356	MAZDA	724-727, 742, 746-747
0400209	364031	PEUGEOT	1114, 1116	0400349	GA6A-99-356	FORD	463
0400209	364044	PEUGEOT	1114, 1116	0400349	GA6A-99-356	KIA	622
0400210	364030	PEUGEOT	1115-1116	0400349	GA6A-99-356	MAZDA	724-727, 742, 746-747
0400210	364037	PEUGEOT	1115-1116	0400349	GA6B-99-356	FORD	463
0400238	1683330127	MERCEDES	755	0400349	GA6B-99-356	KIA	622
0400254	GSJ268	ROVER GROUP	1278	0400349	GA6B-99-356	MAZDA	724-727, 742, 746-747
0400255	GSJ269	ROVER GROUP	1278, 1285	0400349	GA6B-99-356A	FORD	463
0400256	FAM9594	ROVER GROUP	1278	0400349	GA6B-99-356A	KIA	622
0400259	31131103834	BMW	129	0400349	GA6B-99-356A	MAZDA	724-727, 742, 746-747
0400266	7701461077	RENAULT	1244-1245	0400349	GA6B-99-356A	FORD	463
0400267	7700649580	RENAULT	1190, 1237, 1239, 1248	0400349	GA6B-99-356A	KIA	622
0400267	7701461321	RENAULT	1190, 1237, 1239, 1248	0400349	GA6B-99-356A	MAZDA	724-727, 742, 746-747
0400267	7701461332	RENAULT	1190, 1237, 1239, 1248	0400352	3410519	VOLVO	1741
0400268	7701458260	RENAULT	1246-1247	0400352	3465482	VOLVO	1741
0400270	7701458261	RENAULT	1246-1247	0400358	B001-34-550	MAZDA	716
0400284	51270-SF1-003	HONDA	533-534	0400393	1141293 *	FORD	466
0400309	364028	CITROEN	271, 304, 306	0400393	1141294 *	FORD	466
0400309	364028	PEUGEOT	1129, 1131-1132, 1144-1145, 1147-1148	0400395	1603202	OPEL	1030
0400309	364034	CITROEN	271, 304, 306	0400395	1603202	VAUXHALL	1556
0400309	364034	PEUGEOT	1129, 1131-1132, 1144-1145, 1147-1148	0400401	316620103	FIAT	410
0400309	364071	CITROEN	271, 304, 306	0400401	316620103	MASERATI	706
0400309	364071	PEUGEOT	1129, 1131-1132, 1144-1145, 1147-1148	0400401	4331252 **	FIAT	410
0400326	31121096685	BMW	143, 212	0400401	4331252 **	MASERATI	706
0400326	31121140398	BMW	143, 212	0400401	4469175 **	FIAT	410
0400326	31126758510	BMW	143, 212	0400401	4469175 **	MASERATI	706
0400333	7329482	GENERAL MOTORS	500	0400405	4402649	AUTOBIANCHI	127
0400333	7334616	GENERAL MOTORS	500	0400405	4402649	FIAT	375, 401
0400339	S083-99-354	KIA	614	0400405	4402649	SEAT	1351
0400339	S083-99-354	MAZDA	730	0400406	4402649 *	AUTOBIANCHI	127
0400340	OK71034510	KIA	614	0400406	4402649 *	FIAT	375, 401
				0400406	4402649 *	SEAT	1351
				0400407	82420623	FIAT	349
				0400407	82420623	LANCIA	668
				0400420	8-94224-550-3	ISUZU	578, 581-585
				0400420	8-94243-234-0	ISUZU	578, 581-585
				0400420	8-94459-453-2	ISUZU	578, 581-585
				0400420	8-94459-453-3	ISUZU	578, 581-585
				0400420	8-94459-453-4	ISUZU	578, 581-585
				0400420	8-97940-625-0	ISUZU	578, 581-585
				0400420	9-94224-550-4	ISUZU	578, 581-585
				0400422	8-94459-464-0	ISUZU	581
				0400422	8-94459-464-1	ISUZU	581
				0400422	8-94459-464-2	ISUZU	581
				0400422	94459464	ISUZU	581
				0400428	43330-39165	TOYOTA	1503

RIF. OCAP OCAP REF.	RIF. ORIG. O.E. NUMBER	MARCA MAKE	PAG.	RIF. OCAP OCAP REF.	RIF. ORIG. O.E. NUMBER	MARCA MAKE	PAG.
0400428	43340-39145	TOYOTA	1503	0400523	60501401 *	ALFA ROMEO	19
0400429	43330-39045	TOYOTA	1496, 1500-1501	0400523	60501402 *	ALFA ROMEO	19
0400429	43330-39075	TOYOTA	1496, 1500-1501	0400523	60536914 *	ALFA ROMEO	19
0400429	43340-39075	TOYOTA	1496, 1500-1501	0400523	60536915 *	ALFA ROMEO	19
0400430	43350-39035	TOYOTA	1503	0400524	510595 *	ALFA ROMEO	19
0400430	43350-39075	TOYOTA	1503	0400524	510985 *	ALFA ROMEO	19
0400431	43350-39015	TOYOTA	1493-1494, 1500-1501	0400524	513132 *	ALFA ROMEO	19
0400431	43350-39016	TOYOTA	1493-1494, 1500-1501	0400524	513133 *	ALFA ROMEO	19
0400431	43350-39025	TOYOTA	1493-1494, 1500-1501	0400524	530600 *	ALFA ROMEO	19
0400431	43350-39065	TOYOTA	1493-1494, 1500-1501	0400524	530601 *	ALFA ROMEO	19
0400437	40160-01G00	NISSAN	964, 967, 999	0400524	542921 *	ALFA ROMEO	19
0400437	40160-01G25	NISSAN	964, 967, 999	0400524	545068 *	ALFA ROMEO	19
0400437	40160-01G50	NISSAN	964, 967, 999	0400524	60501398 *	ALFA ROMEO	19
0400437	40160-01G90	NISSAN	964, 967, 999	0400524	60745036 *	ALFA ROMEO	19
0400437	40160-01N25	NISSAN	964, 967, 999	0400524	60745037 *	ALFA ROMEO	19
0400437	40160-2S485	NISSAN	964, 967, 999	0400528	116002104200	ALFA ROMEO	20-21
0400437	40160-55G90	NISSAN	964, 967, 999	0400528	116002109700	ALFA ROMEO	20-21
0400472	33321138722	BMW	144	0400528	116002109800	ALFA ROMEO	20-21
0400478	46454599	FIAT	371-372, 374	0400528	119132109700	ALFA ROMEO	20-21
0400482	30887025 *	MITSUBISHI	869, 873-876, 881, 913-914, 916, 918	0400528	119132109800	ALFA ROMEO	20-21
0400482	30887025 *	VOLVO	1718, 1720	0400528	60636099	ALFA ROMEO	20-21
0400482	30887033 *	MITSUBISHI	869, 873-876, 881, 913-914, 916, 918	0400528	60724046	ALFA ROMEO	20-21
0400482	30887033 *	VOLVO	1718, 1720	0400528	60724047	ALFA ROMEO	20-21
0400482	MB-241883	MITSUBISHI	873-876, 881, 913-914, 918	0400528	60736098	ALFA ROMEO	20-21
0400482	MB-303374	MITSUBISHI	873-876, 881, 913-914, 918	0400538	68420200700	AUDI	104
0400482	MB-303375	MITSUBISHI	873-876, 881, 913-914, 918	0400543	823407365C	AUDI	105
0400482	MB-518712-01	MITSUBISHI	873-876, 881, 913-914, 918	0400543	823407365C	VOLKSWAGEN	1632
0400506	4130528	FIAT	413	0400544	823407365E	AUDI	107-108
0400512	5412629	CITROEN	281	0400544	823407365E	VOLKSWAGEN	1633
0400512	5412629	FIAT	412	0400548	803407365	AUDI	117
0400512	5412669	CITROEN	281	0400555	5441744000	HYUNDAI	545
0400512	5412669	FIAT	412	0400555	5441744000	MITSUBISHI	891, 894, 898, 900, 905
0400518	360828	ALFA ROMEO	22	0400555	5443144000	HYUNDAI	545
0400518	360828	FIAT	384	0400555	5443144000	MITSUBISHI	891, 894, 898, 900, 905
0400518	360828	IVECO	587	0400555	MB-176309	HYUNDAI	545
0400518	360828	PEUGEOT	1079	0400555	MB-176309	MITSUBISHI	891, 894, 898, 900, 905
0400518	93802242	ALFA ROMEO	22	0400556	164102101900	ALFA ROMEO	15
0400518	93802242	FIAT	384	0400556	60510360	ALFA ROMEO	15
0400518	93802242	IVECO	587	0400559	95603309	CITROEN	242
0400518	93802242	PEUGEOT	1079	0400563	75492489	CITROEN	246
0400518	93807320	ALFA ROMEO	22	0400564	75492458	CITROEN	246
0400518	93807320	FIAT	384	0400604	91504248	CITROEN	278, 294, 299-300
0400518	93807320	IVECO	587	0400604	91504248	PEUGEOT	1087-1088
0400518	93807320	PEUGEOT	1079	0400604	91504248	RENAULT	1232, 1234
0400518	93807545	ALFA ROMEO	22	0400604	91504248	TALBOT	1446
0400518	93807545	FIAT	384	0400615	75517073	CITROEN	287
0400518	93807545	IVECO	587	0400615	75522015	CITROEN	287
0400518	93807545	PEUGEOT	1079	0400615	GX2010201A	CITROEN	287
0400523	542920 *	ALFA ROMEO	19	0400622	95558213	CITROEN	283-284
0400523	542921 *	ALFA ROMEO	19	0400622-K	95558213 *	CITROEN	284
0400523	547888 *	ALFA ROMEO	19	0400623	3L5429314H	CITROEN	282, 284
0400523	547889 *	ALFA ROMEO	19	0400623	5429314	CITROEN	282, 284
				0400641	364039	CITROEN	247, 307, 314
				0400641	364039	PEUGEOT	1080
				0400641	96087507	CITROEN	247, 307, 314
				0400642	364038	CITROEN	248, 308, 314
				0400642	364038	PEUGEOT	1081
				0400642	364042	CITROEN	248, 308, 314
				0400642	364042	PEUGEOT	1081

RIF. OCAP OCAP REF.	RIF. ORIG. O.E. NUMBER	MARCA MAKE	PAG.	RIF. OCAP OCAP REF.	RIF. ORIG. O.E. NUMBER	MARCA MAKE	PAG.
0400642	96025445	CITROEN	248, 308, 314	0400764	90375505	VAUXHALL	1540-1541
0400642	96025445	PEUGEOT	1081	0400764	94788122	CHEVROLET - DAEWOO	223
0400642	96035445	CITROEN	248, 308, 314	0400764	94788122	OPEL	1042-1043
0400642	96035445	PEUGEOT	1081	0400764	94788122	VAUXHALL	1540-1541
0400642	96103696	CITROEN	248, 308, 314	0400769	310815	OPEL	1013
0400642	96103696	PEUGEOT	1081	0400769	310815	VAUXHALL	1550
0400651	6115337	FORD	427	0400771	352813	OPEL	1058
0400651	6115338	FORD	427	0400772	352811	OPEL	1058
0400715	1163330927	MERCEDES	753, 814, 816	0400773	1603121	GENERAL MOTORS	501
0400717-K	1233301335	MERCEDES	753	0400773	1603121	OPEL	1014, 1016
0400724	1263301135 *	MERCEDES	817	0400773	1603121	VAUXHALL	1542, 1551
0400724-K	1263300835	MERCEDES	817	0400773	1603163	GENERAL MOTORS	501
0400724-K	1263301135	MERCEDES	817	0400773	1603163	OPEL	1014, 1016
0400724-K	1263301335	MERCEDES	817	0400773	1603163	VAUXHALL	1542, 1551
0400724-K	1265860133	MERCEDES	817	0400773	1603167	GENERAL MOTORS	501
0400736	6645154 *	FORD	431, 433	0400773	1603167	OPEL	1014, 1016
0400736	6645156 *	FORD	431, 433	0400773	1603167	VAUXHALL	1542, 1551
0400736	6770224 *	FORD	431, 433	0400773	90141398	GENERAL MOTORS	501
0400736	6770225 *	FORD	431, 433	0400773	90141398	OPEL	1014, 1016
0400738	2108-2904185	LADA	645, 647-648	0400773	90141398	VAUXHALL	1542, 1551
0400738	21082904185	LADA	645, 647-648	0400773	94625941	GENERAL MOTORS	501
0400738	2110-2904192	LADA	645, 647-648	0400773	94625941	OPEL	1014, 1016
0400738	21102904192	LADA	645, 647-648	0400773	94625941	VAUXHALL	1542, 1551
0400752	1063161	OPEL	1026, 1028	0400773	94635311	GENERAL MOTORS	501
0400752	1063161	VAUXHALL	1554, 1562	0400773	94635311	OPEL	1014, 1016
0400752	1603128	OPEL	1026, 1028	0400773	94635311	VAUXHALL	1542, 1551
0400752	1603128	VAUXHALL	1554, 1562	0400773	94635313	GENERAL MOTORS	501
0400752	1603161	OPEL	1026, 1028	0400773	94635313	OPEL	1014, 1016
0400752	1603161	VAUXHALL	1554, 1562	0400773	94635313	VAUXHALL	1542, 1551
0400752	1603187	OPEL	1026, 1028	0400775	310801	OPEL	1057
0400752	1603187	VAUXHALL	1554, 1562	0400778	310811	OPEL	1059
0400755	310816	GENERAL MOTORS	500	0400779	352815	OPEL	1059
0400755	310816	OPEL	1040	0400780	352820	OPEL	1059
0400755	310816	VAUXHALL	1552	0400784	352821	OPEL	1060
0400755	7329356	GENERAL MOTORS	500	0400784	352821	VAUXHALL	1547
0400755	7329356	OPEL	1040	0400784	352822	OPEL	1060
0400755	7329356	VAUXHALL	1552	0400784	352822	VAUXHALL	1547
0400755	7334301	GENERAL MOTORS	500	0400784	352823	OPEL	1060
0400755	7334301	OPEL	1040	0400784	90093768	OPEL	1060
0400755	7334301	VAUXHALL	1552	0400784	90093768	VAUXHALL	1547
0400755	7334620	GENERAL MOTORS	500	0400806	362215	PEUGEOT	1079
0400755	7334620	OPEL	1040	0400810	91134104700	PORSCHE	1158
0400755	7334620	VAUXHALL	1552	0400811	91134104901	PORSCHE	1158-1159
0400755	90032492	GENERAL MOTORS	500	0400817	92834104910	PORSCHE	1166
0400755	90032492	OPEL	1040	0400817	92834104912	PORSCHE	1166
0400755	90032492	VAUXHALL	1552	0400824	575882	LAND ROVER	686-687
0400756	352817	OPEL	1040	0400825	ANR1799	LAND ROVER	675, 677, 686-687
0400756	352817	VAUXHALL	1552	0400825	NRC7661	LAND ROVER	675, 677, 686-687
0400756	8977995	VAUXHALL	1552	0400827	8905416	SAAB	1296-1297
0400757	352812	OPEL	1012, 1040	0400827	8985384	SAAB	1296-1297
0400761	1603115	OPEL	1041	0400827	8993321	SAAB	1296-1297
0400761	1603115	VAUXHALL	1540	0400832	0055222400	TALBOT	1447
0400761	90094792	OPEL	1041	0400832	29732U	TALBOT	1447
0400761	90094792	VAUXHALL	1540	0400833	0002912000	TALBOT	1447
0400764	1603120	CHEVROLET - DAEWOO	223	0400833	29120T	TALBOT	1447
0400764	1603120	OPEL	1042-1043	0400839	0012858600	TALBOT	1443, 1445, 1448, 1451
0400764	1603120	VAUXHALL	1540-1541	0400839	32345T	TALBOT	1443, 1445, 1448, 1451
0400764	1603164	CHEVROLET - DAEWOO	223	0400840	0012861400	TALBOT	1443, 1445, 1448
0400764	1603164	OPEL	1042-1043	0400840	32364W	TALBOT	1443, 1445, 1448
0400764	1603164	VAUXHALL	1540-1541	0400854	1030025	FORD	435-439, 457-
0400764	90140407	CHEVROLET - DAEWOO	223				
0400764	90140407	OPEL	1042-1043				
0400764	90140407	VAUXHALL	1540-1541				
0400764	90375505	CHEVROLET - DAEWOO	223				
0400764	90375505	OPEL	1042-1043				

RIF. OCAP OCAP REF.	RIF. ORIG. O.E. NUMBER	MARCA MAKE	PAG.	RIF. OCAP OCAP REF.	RIF. ORIG. O.E. NUMBER	MARCA MAKE	PAG.
			458, 473, 482				1215, 1230,
0400854	1030025	MAZDA	709				1241, 1243,
0400854	1047797	FORD	435-439, 457- 458, 473, 482				1250, 1261, 1263, 1271
0400854	1047797	MAZDA	709	0400928-K	54500-00QAH **	NISSAN	941, 970
0400854	1679398	FORD	435-439, 457- 458, 473, 482	0400928-K	54500-00QAH **	RENAULT	1178, 1183, 1186, 1200, 1215, 1230, 1241, 1243, 1250, 1261, 1263, 1271
0400854	1679398	MAZDA	709				
0400857	0890494	VOLVO	1742	0400928-K	7701462182 *	NISSAN	941, 970
0400857	890494	VOLVO	1742	0400928-K	7701462182 *	RENAULT	1178, 1183, 1186, 1200, 1215, 1230, 1241, 1243, 1250, 1261, 1263, 1271
0400860	3211956	VOLVO	1739				
0400860	3268631	VOLVO	1739	0400928-K	7701462182 *	RENAULT	1178, 1183, 1186, 1200, 1215, 1230, 1241, 1243, 1250, 1261, 1263, 1271
0400863	274117	VOLVO	1736				
0400868	1229573	VOLVO	1730, 1744	0400928-K	7701468883 *	NISSAN	941, 970
0400868	1270477	VOLVO	1730, 1744	0400928-K	7701468883 *	RENAULT	1178, 1183, 1186, 1200, 1215, 1230, 1241, 1243, 1250, 1261, 1263, 1271
0400868	1273719	VOLVO	1730, 1744				
0400868	1359590	VOLVO	1730, 1744				
0400868	270477	VOLVO	1730, 1744	0400928-K	7701468883 *	NISSAN	941, 970
0400875	191407365	VOLKSWAGEN	1594	0400928-K	7701468883 *	RENAULT	1178, 1183, 1186, 1200, 1215, 1230, 1241, 1243, 1250, 1261, 1263, 1271
0400875	191407365A	VOLKSWAGEN	1594				
0400875	191407365B	VOLKSWAGEN	1594				
0400875-K	191407365B *	VOLKSWAGEN	1594	0400928-K	7701472038 *	NISSAN	941, 970
0400878	113407361C	VOLKSWAGEN	1711-1712	0400928-K	7701472038 *	RENAULT	1178, 1183, 1186, 1200, 1215, 1230, 1241, 1243, 1250, 1261, 1263, 1271
0400878	113407361E	VOLKSWAGEN	1711-1712				
0400878	113407361F	VOLKSWAGEN	1711-1712				
0400879	133407361	VOLKSWAGEN	1712-1713				
0400879	133407361A	VOLKSWAGEN	1712-1713				
0400879	133407361B	VOLKSWAGEN	1712-1713				
0400885	211405371A	VOLKSWAGEN	1699				
0400885	211405371B	VOLKSWAGEN	1699	0400936	7700649400	RENAULT	1190, 1237, 1239, 1248
0400885	211405371C	VOLKSWAGEN	1699				
0400885	211405373	VOLKSWAGEN	1699	0400936	7701461331	RENAULT	1190, 1237, 1239, 1248
0400888	251407361	VOLKSWAGEN	1700				
0400889	251407187	VOLKSWAGEN	1700	0400940	1030027	FORD	433-434
0400889	251407187A	VOLKSWAGEN	1700	0400940	1047852	FORD	433-434
0400895	281407361	VOLKSWAGEN	1622-1623	0400940	1047853	FORD	433-434
0400895-K	281407361 *	VOLKSWAGEN	1622-1623	0400940	1522781	FORD	433-434
0400896	281407187 *	VOLKSWAGEN	1622	0400940	6732631	FORD	433-434
0400896	281407187	VOLKSWAGEN	1623	0400946	7701460661	RENAULT	1246-1247
0400896	281407187B *	VOLKSWAGEN	1622	0400949	6645155 *	FORD	434
0400896	281407187B	VOLKSWAGEN	1623	0400949	6645157 *	FORD	434
0400896-K	281407187 *	VOLKSWAGEN	1622-1623	0400949	7152276 *	FORD	434
0400896-K	281407187B *	VOLKSWAGEN	1622-1623	0400949	7152279 *	FORD	434
0400928	54500-00QAH *	NISSAN	941, 970	0400951	5000246731	RENAULT	1259
0400928	54500-00QAH *	RENAULT	1178, 1183, 1186, 1200, 1215, 1230, 1241, 1243, 1250, 1261, 1263, 1271	0400952	5000246732	RENAULT	1259
				0400954	5021426	FORD	432
0400928	7701462182	NISSAN	941, 970	0400954	6130560	FORD	432
0400928	7701462182	RENAULT	1178, 1183, 1186, 1200, 1215, 1230, 1241, 1243, 1250, 1261, 1263, 1271	0400963	43308-12030	DAIHATSU	325
				0400963	43308-12030	TOYOTA	1464, 1468, 1475-1476, 1478, 1488- 1489
0400928	7701468883	NISSAN	941, 970	0400963	43308-19035	DAIHATSU	325
0400928	7701468883	RENAULT	1178, 1183, 1186, 1200, 1215, 1230, 1241, 1243, 1250, 1261, 1263, 1271	0400963	43308-19035	TOYOTA	1464, 1468, 1475-1476, 1478, 1488- 1489
				0400996	40160-01A00	NISSAN	937, 971, 979, 990, 996
0400928	7701472038	NISSAN	941, 970	0400996	40160-01A25	NISSAN	937, 971, 979, 990, 996
0400928	7701472038	RENAULT	1178, 1183, 1186, 1200,	0400996	40160-A03G0	NISSAN	937, 971, 979, 990, 996
				0400996	40160-A06G0	NISSAN	937, 971, 979, 990, 996
				0401014	82480099	LANCIA	662

RIF. OCAP OCAP REF.	RIF. ORIG. O.E. NUMBER	MARCA MAKE	PAG.	RIF. OCAP OCAP REF.	RIF. ORIG. O.E. NUMBER	MARCA MAKE	PAG.
0401056	1138160	FORD	444				553, 557, 560- 561, 566, 569
0401056	1148931	FORD	444				
0401056	1207973	FORD	444	0401288	54503-22A00	KIA	621, 627, 644
0401056	98AG-3395-AE	FORD	444	0401288	54503-25A00	HYUNDAI	539-540, 543- 544, 546, 552- 553, 557, 560- 561, 566, 569
0401124	364021	CITROEN	254				
0401124	364021	PEUGEOT	1109, 1111, 1113, 1129, 1131	0401288	54503-25A00	KIA	621, 627, 644
0401124	95494204	CITROEN	254	0401288	54503-31600	HYUNDAI	539-540, 543- 544, 546, 552- 553, 557, 560- 561, 566, 569
0401124	95494605	CITROEN	254				
0401124	95607224	CITROEN	254	0401288	54503-31600	KIA	621, 627, 644
0401124	96041652	CITROEN	254	0401288	54503-38A00	HYUNDAI	539-540, 543- 544, 546, 552- 553, 557, 560- 561, 566, 569
0401127	364015	PEUGEOT	1139				
0401127	364015	TALBOT	1449	0401288	54503-38A00	KIA	621, 627, 644
0401127	364025	PEUGEOT	1139	0401288	54530-0U000	HYUNDAI	539-540, 543- 544, 546, 552- 553, 557, 560- 561, 566, 569
0401127	364025	TALBOT	1449				
0401127	364027	PEUGEOT	1139	0401288	54530-0U000	KIA	621, 627, 644
0401127	364027	TALBOT	1449	0401288	54530-25000	HYUNDAI	539-540, 543- 544, 546, 552- 553, 557, 560- 561, 566, 569
0401137	1302368080	CITROEN	288				
0401137	1302368080	FIAT	359	0401288	54530-25000	KIA	621, 627, 644
0401137	1302368080	PEUGEOT	1072	0401288	54530-25A00	HYUNDAI	539-540, 543- 544, 546, 552- 553, 557, 560- 561, 566, 569
0401137	3640.32	CITROEN	288				
0401137	3640.32	FIAT	359	0401288	54530-25A00	KIA	621, 627, 644
0401137	3640.32	PEUGEOT	1072	0401288	54530-25A00	HYUNDAI	539-540, 543- 544, 546, 552- 553, 557, 560- 561, 566, 569
0401137	364032	CITROEN	288				
0401137	364032	FIAT	359	0401288	54530-25000	KIA	621, 627, 644
0401137	364032	PEUGEOT	1072	0401288	54530-25A00	HYUNDAI	539-540, 543- 544, 546, 552- 553, 557, 560- 561, 566, 569
0401138	1300473080	CITROEN	289				
0401138	1300473080	FIAT	360	0401288	54530-25A00	KIA	621, 627, 644
0401138	1300473080	PEUGEOT	1073	0401307	8957045	SAAB	1306
0401138	3640.33	CITROEN	289	0401307	8972135	SAAB	1306
0401138	3640.33	FIAT	360	0401307	8994212	SAAB	1306
0401138	3640.33	PEUGEOT	1073	0401385	8N0407365A	AUDI	97
0401138	364033	CITROEN	289	0401385	8N0407365B	AUDI	97
0401138	364033	FIAT	360	0401385	8N0407365C	AUDI	97
0401138	364033	PEUGEOT	1073	0401398	5000246729	RENAULT	1259
0401218	21A1163	ROVER GROUP	1280	0401399	5000246730	RENAULT	1259
0401218	38662110	INNOCENTI	577	0401402	7701451904	RENAULT	1222, 1225- 1226, 1228
0401225	40160-W1000	NISSAN	932, 944, 986				
0401225	40160-W1001	NISSAN	932, 944, 986	0401403	352819	OPEL	1013
0401225	40160-W2200	NISSAN	932, 944, 986	0401403	352819	VAUXHALL	1550
0401226	40160-S0125	NISSAN	923, 931-932, 942	0401409	701407187A	VOLKSWAGEN	1702, 1704
0401226	40160-S0126	NISSAN	923, 931-932, 942	0401409	701407187B	VOLKSWAGEN	1702, 1704
0401226	40160-S0127	NISSAN	923, 931-932, 942	0401410	701407361B	VOLKSWAGEN	1702, 1704
0401226	40160-S0128	NISSAN	923, 931-932, 942	0401420	352800	OPEL	1018, 1021, 1046, 1056, 1062, 1069
0401235	357407365	SEAT	1327, 1329				
0401235	357407365	VOLKSWAGEN	1578, 1595, 1597, 1637, 1640, 1663	0401420	352800	SAAB	1301
0401235	357407365A	SEAT	1327, 1329	0401420	352800	VAUXHALL	1543, 1545, 1564, 1566
0401235	357407365A	VOLKSWAGEN	1578, 1595, 1597, 1637, 1640, 1663	0401420	352829	OPEL	1018, 1021, 1046, 1056, 1062, 1069
0401235-K	357407365 *	VOLKSWAGEN	1578				
0401235-K	357407365A *	VOLKSWAGEN	1578, 1595	0401420	352829	SAAB	1301
0401235-K	357407365A **	SEAT	1327, 1329	0401420	352829	VAUXHALL	1543, 1545, 1564, 1566
0401288	54500-31600	HYUNDAI	539-540, 543- 544, 546, 552- 553, 557, 560- 561, 566, 569	0401420	5231683	OPEL	1018, 1021, 1046, 1056, 1062, 1069
0401288	54500-31600	KIA	621, 627, 644				
0401288	54503-22A00	HYUNDAI	539-540, 543- 544, 546, 552-	0401420	5231683	SAAB	1301
				0401420	5231683	VAUXHALL	1543, 1545, 1564, 1566
				0401423	310821	OPEL	1034
				0401423	310821	VAUXHALL	1558

RIF. OCAP OCAP REF.	RIF. ORIG. O.E. NUMBER	MARCA MAKE	PAG.	RIF. OCAP OCAP REF.	RIF. ORIG. O.E. NUMBER	MARCA MAKE	PAG.
0401423	94459453	OPEL	1034	0401494	40160-00QAD	VAUXHALL	1561
0401423	94459453	VAUXHALL	1558	0401494	4500255	NISSAN	939
0401424	352828	ISUZU	580-581, 586	0401494	4500255	OPEL	1049
0401424	352828	OPEL	1034-1035	0401494	4500255	RENAULT	1209
0401424	352828	VAUXHALL	1558-1559	0401494	4500255	VAUXHALL	1561
0401424	8-94452-102-0	ISUZU	580-581, 586	0401494	9160555	NISSAN	939
0401424	8-94452-102-0	OPEL	1034-1035	0401494	9160555	OPEL	1049
0401424	8-94452-102-0	VAUXHALL	1558-1559	0401494	9160555	RENAULT	1209
0401424	8-94452-102-1	ISUZU	580-581, 586	0401494	9160555	VAUXHALL	1561
0401424	8-94452-102-1	OPEL	1034-1035	0401495	4418631	OPEL	1050
0401424	8-94452-102-1	VAUXHALL	1558-1559	0401495	7701070154	RENAULT	1210
0401424	8-94459-465-2	ISUZU	580-581, 586	0401495	93194857	OPEL	1050
0401424	8-94459-465-2	OPEL	1034-1035	0401505	2D0407361A	VOLKSWAGEN	1624
0401424	8-94459-465-2	VAUXHALL	1558-1559	0401505	9013330627	MERCEDES	840
0401424	8-94459-494-2	ISUZU	580-581, 586	0401505	9013330727	MERCEDES	840
0401424	8-94459-494-2	OPEL	1034-1035	0401505	9013331027	MERCEDES	840
0401424	8-94459-494-2	VAUXHALL	1558-1559	0401505	9013331127	MERCEDES	840
0401424	8-97365-020-0	ISUZU	580-581, 586	0401505	9013331227	MERCEDES	840
0401424	8-97365-020-0	OPEL	1034-1035	0401517	0423121	OPEL	1062
0401424	8-97365-020-0	VAUXHALL	1558-1559	0401517	0423121	VAUXHALL	1566
0401424	8-98005-874-0	ISUZU	580-581, 586	0401517	423121	OPEL	1062
0401424	8-98005-874-0	OPEL	1034-1035	0401517	423121	VAUXHALL	1566
0401424	8-98005-874-0	VAUXHALL	1558-1559	0401517	90496700	OPEL	1062
0401424	94459465	ISUZU	580-581, 586	0401517	90496700	VAUXHALL	1566
0401424	94459465	OPEL	1034-1035	0401521	40160-01B25	NISSAN	947
0401424	94459465	VAUXHALL	1558-1559	0401522	40160-00QAB	NISSAN	939
0401424-K	352828 *	OPEL	1034-1035	0401522	40160-00QAB	OPEL	1050
0401424-K	352828 *	VAUXHALL	1559	0401522	40160-00QAB	RENAULT	1210
0401425	7D0407361	VOLKSWAGEN	1704	0401522	40160-00QAB	VAUXHALL	1561
0401446	1331640080	CITROEN	288	0401522	4500254	NISSAN	939
0401446	1331640080	FIAT	359	0401522	4500254	OPEL	1050
0401446	1331640080	PEUGEOT	1072	0401522	4500254	RENAULT	1210
0401446	3640.55	CITROEN	288	0401522	4500254	VAUXHALL	1561
0401446	3640.55	FIAT	359	0401522	7700312851	NISSAN	939
0401446	3640.55	PEUGEOT	1072	0401522	7700312851	OPEL	1050
0401446	364055	CITROEN	288	0401522	7700312851	RENAULT	1210
0401446	364055	FIAT	359	0401522	7700312851	VAUXHALL	1561
0401446	364055	PEUGEOT	1072	0401522	9160554	NISSAN	939
0401447	46779293	FIAT	354-355, 372, 374, 394	0401522	9160554	OPEL	1050
0401447	46842581	FIAT	354-355, 372, 374, 394	0401522	9160554	RENAULT	1210
0401447	7082812	FIAT	354-355, 372, 374, 394	0401522	9160554	VAUXHALL	1561
0401450	46546776 *	FIAT	372	0401523	4401910	OPEL	1050
0401450	46546777 *	FIAT	372	0401523	4500090	OPEL	1050
0401450	7081887	FIAT	372	0401523	7700302114	RENAULT	1210
0401451	1331641080	CITROEN	289	0401523	7701056970	RENAULT	1210
0401451	1331641080	FIAT	360	0401524	401602379R	NISSAN	955
0401451	1331641080	PEUGEOT	1073	0401524	401602379R	OPEL	1051
0401451	3640.54	CITROEN	289	0401524	401602379R	RENAULT	1211
0401451	3640.54	FIAT	360	0401524	401608374R	NISSAN	955
0401451	3640.54	PEUGEOT	1073	0401524	401608374R	OPEL	1051
0401451	364054	CITROEN	289	0401524	401608374R	RENAULT	1211
0401451	364054	FIAT	360	0401524	4408252	NISSAN	955
0401451	364054	PEUGEOT	1073	0401524	4408252	OPEL	1051
0401459	364048	PEUGEOT	1117	0401524	4408252	RENAULT	1211
0401460	364049	PEUGEOT	1117	0401524	95509251	NISSAN	955
0401494	40160-00QAC	NISSAN	939	0401524	95509251	OPEL	1051
0401494	40160-00QAC	OPEL	1049	0401524	95509251	RENAULT	1211
0401494	40160-00QAC	RENAULT	1209	0401536	401611363R	NISSAN	955
0401494	40160-00QAC	VAUXHALL	1561	0401536	401611363R	OPEL	1051
0401494	40160-00QAD	NISSAN	939	0401536	4419219	NISSAN	955
0401494	40160-00QAD	OPEL	1049	0401536	4419219	OPEL	1051
0401494	40160-00QAD	RENAULT	1209	0401536	4419219	RENAULT	1211
0401494	40160-00QAD	NISSAN	939	0401536	8200688877	RENAULT	1211
0401494	40160-00QAD	OPEL	1049	0401536	93197233	NISSAN	955
0401494	40160-00QAD	RENAULT	1209	0401536	93197233	OPEL	1051

RIF. OCAP OCAP REF.	RIF. ORIG. O.E. NUMBER	MARCA MAKE	PAG.	RIF. OCAP OCAP REF.	RIF. ORIG. O.E. NUMBER	MARCA MAKE	PAG.
0401536	93197233	RENAULT	1211	0401877	33321090504	BMW	170, 180, 190, 192, 207
0401600	119002101900	ALFA ROMEO	20	0401877	33321095631	BMW	170, 180, 190, 192, 207
0401600	60701600	ALFA ROMEO	20	0401877	33326767748	BMW	170, 180, 190, 192, 207
0401670	92834104908	PORSCHE	1166	0401885	352803	OPEL	1032
0401670	92834306901	PORSCHE	1166	0401885	352803	VAUXHALL	1557
0401679	51220-S04-003	HONDA	503, 512-514, 520, 532-534	0401885	9196394	OPEL	1032
0401679	51220-S04-003	ROVER GROUP	1291	0401885	9196394	VAUXHALL	1557
0401679	51220-SK7-013	HONDA	503, 512-514, 520, 532-534	0401887	6025308155	RENAULT	1179, 1192
0401679	51220-SK7-013	ROVER GROUP	1291	0401906	6383300027	MERCEDES	845
0401679	51220-SM0-A01	HONDA	503, 512-514, 520, 532-534	0401906	6383330027	MERCEDES	845
0401679	51220-SM0-A01	ROVER GROUP	1291	0401951	1633300035	MERCEDES	804
0401679	51220-SR3-003	HONDA	503, 512-514, 520, 532-534	0401951	1633300135	MERCEDES	804
0401679	51220-SR3-003	ROVER GROUP	1291	0401964	MR-297241 *	MITSUBISHI	871, 916
0401679	GSJ499	HONDA	503, 512-514, 520, 532-534	0401964	MR-297242 *	MITSUBISHI	871, 916
0401679	GSJ499	ROVER GROUP	1291	0401996	0K011-34-510B	KIA	641
0401679	RBK100350	HONDA	503, 512-514, 520, 532-534	0402016	853407365	AUDI	108
0401679	RBK100350	ROVER GROUP	1291	0402016	853407365	VOLKSWAGEN	1635
0401727	1055194	FORD	493	0402035	164002101900	ALFA ROMEO	14
0401727	5025676	FORD	493	0402035	164002101900	LANCIA	668
0401727	6650261	FORD	493	0402035	60556032	ALFA ROMEO	14
0401776	C2S39661 *	JAGUAR	596	0402035	60556032	LANCIA	668
0401776	C2S39662 *	JAGUAR	596	0402035	60566661	ALFA ROMEO	14
0401796	364050	CITROEN	249, 252, 309, 312	0402035	60566661	LANCIA	668
0401796	364050	PEUGEOT	1081	0402035	82398170	ALFA ROMEO	14
0401797	364051	CITROEN	250, 252, 310, 312	0402035	82398170	FIAT	349
0401797	364051	PEUGEOT	1081, 1083	0402035	82398170	LANCIA	668
0401807	51450-SR3-013 *	HONDA	513	0402035	82446499	FIAT	349
0401807	51450-SR3-013 *	ROVER GROUP	1290	0402035	82446499	LANCIA	668
0401807	51460-SR3-013 *	HONDA	513	0402038	31121126254	BMW	140-141
0401807	51460-SR3-013 *	ROVER GROUP	1290	0402039	31121126253	BMW	140-141, 143, 212
0401807	RBJ102120 *	HONDA	513	0402039	31121139131	BMW	140-141, 143, 212
0401807	RBJ102120 *	ROVER GROUP	1290	0402050	21H181	ROVER GROUP	1274
0401807	RBJ102130 *	HONDA	513	0402068	3L5429430U	CITROEN	283
0401807	RBJ102130 *	ROVER GROUP	1290	0402068	857505365	AUDI	86, 109, 114
0401809	GSJ823	ROVER GROUP	1291	0402068	857505365	CITROEN	283
0401809	RBK100380	ROVER GROUP	1291	0402070	1494903	FORD	483
0401820	RBJ102920 *	LAND ROVER	684	0402070	6010076	FORD	483
0401820	RBJ102930 *	LAND ROVER	684	0402071	1541324	FORD	483
0401841	2271V007000005	SMART	1399, 1402	0402071	1613139	FORD	483
0401854	364053	CITROEN	253, 262, 264, 268	0402071	6009974	FORD	483
0401854	364053	PEUGEOT	1085, 1120- 1121	0402073	151577	FORD	420
0401854	364060	CITROEN	253, 262, 264, 268	0402073	1579763	FORD	420
0401854	364060	PEUGEOT	1085, 1120- 1121	0402073	6128321	FORD	420
0401854	364068	CITROEN	253, 262, 264, 268	0402073	6924364	FORD	420
0401854	364068	PEUGEOT	1085, 1120- 1121	0402104	82276856	LANCIA	661
0401854	364073	CITROEN	253, 262, 264, 268	0402125	31126768988	BMW	152, 197
0401854	364073	PEUGEOT	1085, 1120- 1121	0402133	51783009 *	FIAT	352
0401861	46543045	FIAT	354, 394	0402144	364056	CITROEN	257, 259, 261
0401867	31126756309	MINI	857	0402144	364056	PEUGEOT	1100, 1102- 1103
0401872	31121096425	BMW	206	0402144	364065	CITROEN	257, 259, 261
0401872	31126756491	BMW	206	0402144	364065	PEUGEOT	1100, 1102- 1103
				0402144	364078	CITROEN	257, 259, 261
				0402144	364078	PEUGEOT	1100, 1102- 1103
				0402157	2023330027	MERCEDES	765, 779, 786, 789, 834
				0402157	2103300035	MERCEDES	765, 779, 786, 789, 834
				0402157	2103330427	MERCEDES	765, 779, 786,

RIF. OCAP OCAP REF.	RIF. ORIG. O.E. NUMBER	MARCA MAKE	PAG.	RIF. OCAP OCAP REF.	RIF. ORIG. O.E. NUMBER	MARCA MAKE	PAG.
			789, 834	0402357	50511650 *	ALFA ROMEO	28
0402157	2113300335	MERCEDES	765, 779, 786, 789, 834	0402357	50511650 *	FIAT	368, 383
0402159	0003200028	MERCEDES	854-855	0402357	50511650 *	OPEL	1008, 1033
0402159	0003200128	MERCEDES	854-855	0402357	51783056 *	ALFA ROMEO	28
0402159	6083200028	MERCEDES	854-855	0402357	51783056 *	FIAT	368, 383
0402159	6083200128	MERCEDES	854-855	0402357	51783056 *	OPEL	1008, 1033
0402159	6313200028	MERCEDES	854-855	0402357	93188808 *	FIAT	368
0402159	6313200228	MERCEDES	854-855	0402357	93188808	ALFA ROMEO	28
0402162	1153330827	MERCEDES	750, 827	0402357	93188808	FIAT	383
0402163	1153331027	MERCEDES	751, 827	0402357	93188808	OPEL	1008, 1033
0402163	1153331127	MERCEDES	751, 827	0402385	9013331327	MERCEDES	840
0402167	1153330527	MERCEDES	750	0402398	C14434	JAGUAR	600-601
0402182	1403330327	MERCEDES	819	0402398	C15890	JAGUAR	600-601
0402197	82463956	LANCIA	657	0402398	C23024	JAGUAR	600-601
0402211	7701463230	RENAULT	1191, 1252	0402398	CAC9938	JAGUAR	600-601
0402211	7701465689	RENAULT	1191, 1252	0402398	ZKC5739	JAGUAR	600-601
0402212	7701463229	RENAULT	1191, 1252	0402399	C12803	JAGUAR	600-601
0402235	7701461667	RENAULT	1266	0402399	CAC9937	JAGUAR	600-601
0402241	5000367654	RENAULT	1208	0402399	JLM11860	JAGUAR	600-601
0402241	7701462692	RENAULT	1208	0402445	4450505000	CHEVROLET - DAEWOO	225
0402242	5000387023	RENAULT	1208	0402445	4450505001	CHEVROLET - DAEWOO	225
0402242	5000387653	RENAULT	1208	0402445	4450505001	SSANGYONG	1405
0402242	7701462693	RENAULT	1208	0402446	4443003000	CHEVROLET - DAEWOO	225
0402268	50705464 *	FIAT	343	0402446	4443003010	CHEVROLET - DAEWOO	225
0402268	50705464 *	LANCIA	660	0402446	4443003011	CHEVROLET - DAEWOO	225
0402268	50705465 *	FIAT	343	0402446	4443003011	SSANGYONG	1405
0402268	50705465 *	LANCIA	660	0402453	401602308R	DACIA	317
0402268	51827736 *	FIAT	343	0402472	54570-3E000	KIA	637
0402268	51827736 *	LANCIA	660	0402472	54570-3E001	KIA	637
0402268	51827737 *	FIAT	343	0402472	54570-3E100	KIA	637
0402268	51827737 *	LANCIA	660	0402482	54503-34A00	HYUNDAI	567
0402311	4543300707 *	MITSUBISHI	877	0402482	54503-34A01	HYUNDAI	567
0402311	4543300707 *	SMART	1402	0402483	55130-34A00	HYUNDAI	566-567
0402311	4543300807 *	MITSUBISHI	877	0402483	55130-37000	HYUNDAI	566-567
0402311	4543300807 *	SMART	1402	0402484	54403-38A00	HYUNDAI	568, 570-571
0402311	MN-186218 *	MITSUBISHI	877	0402484	54403-38A00	KIA	624
0402311	MN-186218 *	SMART	1402	0402492	31200775 *	VOLVO	1726
0402347	1633500013	MERCEDES	805	0402492	31200776 *	VOLVO	1726
0402347	1633500113	MERCEDES	805	0402498	51760-2E000	HYUNDAI	575
0402354	3521L3 *	CITROEN	255-256	0402498	51760-2E-000	KIA	642
0402354	3521L3 *	PEUGEOT	1092-1093	0402498	51760-2E000	KIA	642
0402354	3521L3 *	TOYOTA	1462-1463, 1534, 1537	0402508	116462109700	ALFA ROMEO	21
0402354	48068-09040 *	CITROEN	255-256	0402508	60521243	ALFA ROMEO	21
0402354	48068-09040 *	PEUGEOT	1092-1093	0402508	60728428	ALFA ROMEO	21
0402354	48068-09040 *	TOYOTA	1462-1463, 1534, 1537	0402508	60728429	ALFA ROMEO	21
0402354	48068-59035 *	TOYOTA	1536	0402511	6232-20042	SUBARU	1420
0402354	48069-09040 *	CITROEN	255-256	0402511	6232-20043	SUBARU	1420
0402354	48069-09040 *	PEUGEOT	1092-1093	0402515	7210-67000	SUBARU	1420-1421
0402354	48069-09040 *	TOYOTA	1462-1463, 1534, 1537	0402515	7210-67001	SUBARU	1420-1421
0402354	48069-59035 *	TOYOTA	1536	0402515	7210-67002	SUBARU	1420-1421
0402355	364059	PEUGEOT	1086	0402515	7210-67003	SUBARU	1420-1421
0402355	364066	PEUGEOT	1086	0402531	GSJ729	ROVER GROUP	1285
0402357	352087 *	FIAT	368	0402537	GSJ292	ROVER GROUP	1294
0402357	352087	ALFA ROMEO	28	0402538	51220-SD4-004	HONDA	528-529
0402357	352087	FIAT	383	0402538	51220-SD4-004	ROVER GROUP	1294
0402357	352087	OPEL	1008, 1033	0402538	51220-SD4-013	HONDA	528-529
0402357	3521S6 *	ALFA ROMEO	28	0402538	51220-SD4-013	ROVER GROUP	1294
0402357	3521S6 *	CITROEN	295	0402538	51220-SD4-023	HONDA	528-529
0402357	3521S6 *	FIAT	368, 383	0402538	51220-SD4-023	ROVER GROUP	1294
0402357	3521S6 *	OPEL	1008, 1033	0402538	GSJ278	HONDA	528-529
0402357	3521S6 *	PEUGEOT	1071	0402538	GSJ278	ROVER GROUP	1294
				0402538	GSJ295	HONDA	528-529
				0402538	GSJ295	ROVER GROUP	1294
				0402549	0K2A1-34-550A	KIA	615, 636
				0402554	RBK500161	LAND ROVER	681, 693

RIF. OCAP OCAP REF.	RIF. ORIG. O.E. NUMBER	MARCA MAKE	PAG.	RIF. OCAP OCAP REF.	RIF. ORIG. O.E. NUMBER	MARCA MAKE	PAG.
0402554	RBK500170	LAND ROVER	681, 693	0402771	51760-1G000	KIA	633
0402555	RHF500031	LAND ROVER	694	0402776	43330-09050	LEXUS	703
0402555	RHF500100	LAND ROVER	694	0402776	43330-09050	TOYOTA	1466
0402556	RBK500040	LAND ROVER	680, 693	0402776	43330-39285	LEXUS	703
0402556	RBK500180	LAND ROVER	680, 693	0402776	43330-39285	TOYOTA	1466
0402556	RBK500240	LAND ROVER	680, 693	0402776	43330-39435	LEXUS	703
0402556	RBK500280	LAND ROVER	680, 693	0402776	43330-39435	TOYOTA	1466
0402557	RBK500030	LAND ROVER	681	0402788	51350-S50-G01 *	HONDA	531
0402558	RBK000040	LAND ROVER	694	0402788	51360-S50-G01 *	HONDA	531
0402558	RBK000041	LAND ROVER	694	0402793	54530-07000	HYUNDAI	550
0402558	RBK000042	LAND ROVER	694	0402793	54530-07000	KIA	627
0402558	RBK500012	LAND ROVER	694	0402809	54530-4A000	HYUNDAI	547
0402558	RBK500014	LAND ROVER	694	0402809	54530-4AA00	HYUNDAI	547
0402558	RBK500220	LAND ROVER	694	0402815	54440-H1000	HYUNDAI	573
0402576	40160-0W000	NISSAN	957	0402816	54550-H1000	HYUNDAI	573
0402576	40160-0W025	NISSAN	957	0402816	54550-H1010	HYUNDAI	573
0402590	43330-09210	TOYOTA	1459	0402823	40160-2Y000	NISSAN	926
0402606	675084	VOLVO	1735	0402894	96213119	CHEVROLET - DAEWOO 226	
0402606	686397	VOLVO	1735	0402896	9630-0048	CHEVROLET - DAEWOO 229	
0402608	683303	VOLVO	1735	0402896	96300048	CHEVROLET - DAEWOO 229	
0402617	31126772302 *	MINI	859	0402896	96300648	CHEVROLET - DAEWOO 229	
0402621	43310-39016	TOYOTA	1456, 1511	0402936	3665732	FORD	474, 476
0402621	43310-39065	TOYOTA	1456, 1511	0402936	3665732	MAZDA	731-732
0402638	50705629	CITROEN	290-291	0402936	8AU1-34-540	FORD	474, 476
0402638	50705629	FIAT	361-362	0402936	8AU134540	FORD	474, 476
0402638	50705629	PEUGEOT	1074-1075	0402936	8AU1-34-540	MAZDA	731-732
0402640	LC62-34-550	MAZDA	720, 743	0402936	8AU134540	MAZDA	731-732
0402644	05114037AI	JEEP	604	0402936	UB39-99-354	FORD	474, 476
0402644	5069161AB	JEEP	604	0402936	UB3999354	FORD	474, 476
0402644	5114037AA	JEEP	604	0402936	UB39-99-354	MAZDA	731-732
0402644	5114037AB	JEEP	604	0402936	UB3999354	MAZDA	731-732
0402644	5114037AJ	JEEP	604	0402936	UH71-34-540	FORD	474, 476
0402651	8K0407689D	AUDI	57, 74, 76, 91	0402936	UH7134540	FORD	474, 476
0402651	8K0407689E	AUDI	57, 74, 76, 91	0402936	UH71-34-540	MAZDA	731-732
0402651	8K0407689F	AUDI	57, 74, 76, 91	0402936	UH7134540	MAZDA	731-732
0402651	8K0407689G	AUDI	57, 74, 76, 91	0402937	8AU2-34-510	MAZDA	731
0402668	1643300935	MERCEDES	807, 812	0402937	UH74-34-550	MAZDA	731
0402672	1643520127	MERCEDES	808, 810, 813	0402940	54417-43000	HYUNDAI	549
0402672	1643520327	MERCEDES	808, 810, 813	0402940	5441743000	HYUNDAI	549
0402684	8K0505365B	AUDI	60	0402940	54417-43001	HYUNDAI	547, 549
0402688	45201-71L00 *	SUZUKI	1437	0402940	54417-43001	MITSUBISHI	899-900
0402688	45201-M68K00 *	SUZUKI	1424	0402940	54417-43A00	HYUNDAI	547, 549
0402688	45202-71L00 *	SUZUKI	1437	0402940	54417-43A00	MITSUBISHI	899-900
0402688	45202-M68K00 *	SUZUKI	1424	0402940	54417-43A01	HYUNDAI	547, 549
0402688	54529-4A00D *	NISSAN	969	0402940	54417-43A01	MITSUBISHI	899-900
0402688	54530-4A00D *	NISSAN	969	0402940	54417-47000	HYUNDAI	547, 549
0402715	4443405	CHRYSLER	237	0402940	54417-47000	MITSUBISHI	899-900
0402715	4449553	CHRYSLER	237	0402940	54417-4A000	HYUNDAI	547, 549
0402715	4694747	CHRYSLER	237	0402940	54417-4A000	MITSUBISHI	899-900
0402722	4766542AA *	CHRYSLER	238	0402940	54417-4AA00	HYUNDAI	547, 549
0402722	4766543AA *	CHRYSLER	238	0402940	54417-4AA00	MITSUBISHI	899-900
0402724	31103438623	BMW	201	0402940	54417-4BA00	HYUNDAI	547, 549
0402727	8200763296 *	RENAULT	1272	0402940	54417-4BA00	MITSUBISHI	899-900
0402730	LR007205 *	LAND ROVER	685	0402940	MB-527349	HYUNDAI	547, 549
0402730	LR007206 *	LAND ROVER	685	0402940	MB-527349	MITSUBISHI	899-900
0402742	2E0407152M *	VOLKSWAGEN	1583	0402940	MB-527350	HYUNDAI	547, 549
0402742	9063304107 *	MERCEDES	842	0402940	MB-527350	MITSUBISHI	899-900
0402745	C2C 36866	JAGUAR	598	0402940	MR-241623	HYUNDAI	547, 549
0402745	C2C12119	JAGUAR	594, 598	0402940	MR-241623	MITSUBISHI	899-900
0402745	C2C18350	JAGUAR	594, 598	0402941	MB-527351	MITSUBISHI	900
0402745	C2C36866	JAGUAR	594	0402941	MB-527352	MITSUBISHI	900
0402747	XR851824 *	JAGUAR	592	0402952	40160-41L00	NISSAN	943
0402747	XR851825 *	JAGUAR	592	0402952	40160-67L00	NISSAN	943
0402765	51220-S9A-982	HONDA	521	0402956	310823	ISUZU	580, 586
0402771	51760-1G000	HYUNDAI	541	0402956	310823	OPEL	1035

RIF. OCAP OCAP REF.	RIF. ORIG. O.E. NUMBER	MARCA MAKE	PAG.	RIF. OCAP OCAP REF.	RIF. ORIG. O.E. NUMBER	MARCA MAKE	PAG.
0402956	310823	VAUXHALL	1559				1527, 1535
0402956	8-94374-424-0	ISUZU	580, 586	0403095	43330-49095	TOYOTA	1457, 1474, 1484, 1526- 1527, 1535
0402956	8-94374-424-0	OPEL	1035				
0402956	8-94374-424-0	VAUXHALL	1559				
0402956	8-94374-424-2	ISUZU	580, 586	0403096	43330-09770	TOYOTA	1460
0402956	8-94374-424-2	OPEL	1035	0403104	48068-49045 *	TOYOTA	1461
0402956	8-94374-424-2	VAUXHALL	1559	0403104	48069-49045 *	TOYOTA	1461
0402956	8-94374-424-4	ISUZU	580, 586	0403124	40160-9W200	NISSAN	951, 981, 983, 1006
0402956	8-94374-424-4	OPEL	1035				
0402956	8-94374-424-4	VAUXHALL	1559	0403124	40160-9W200	RENAULT	1196, 1202
0402956	8-97365-019-0	ISUZU	580, 586	0403124	40160-9Y000	NISSAN	951, 981, 983, 1006
0402956	8-97365-019-0	OPEL	1035				
0402956	8-97365-019-0	VAUXHALL	1559	0403124	40160-9Y000	RENAULT	1196, 1202
0402956	8-98005-826-0	ISUZU	580, 586	0403124	40160-CA010	NISSAN	951, 981, 983, 1006
0402956	8-98005-826-0	OPEL	1035				
0402956	8-98005-826-0	VAUXHALL	1559	0403124	40160-CA010	RENAULT	1196, 1202
0402956	94374424	ISUZU	580, 586	0403124	40160-CC40A	NISSAN	951, 981, 983, 1006
0402956	94374424	OPEL	1035				
0402956	94374424	VAUXHALL	1559	0403124	40160-CC40A	RENAULT	1196, 1202
0402956-K	310823 *	ISUZU	580, 586	0403135	1470387	FORD	447
0402956-K	310823 *	OPEL	1035	0403135	1470387	VOLVO	1717, 1722
0402956-K	310823 *	VAUXHALL	1559	0403135	1679388	FORD	447
0402956-K	8-94374-424-0 *	ISUZU	580, 586	0403135	1679388	VOLVO	1717, 1722
0402956-K	8-94374-424-0 *	OPEL	1035	0403135	31201180 *	VOLVO	1717, 1722
0402956-K	8-94374-424-0 *	VAUXHALL	1559	0403135	31201181 *	VOLVO	1717, 1722
0402972	43350-29065	TOYOTA	1498	0403139	45201-62J00 *	OPEL	1010
0402972	43350-29095	TOYOTA	1498	0403139	45201-62J00 *	SUZUKI	1436
0402973	43330-39265	TOYOTA	1504	0403139	45201-62J00 *	VAUXHALL	1539
0402973	43330-39315	TOYOTA	1504	0403139	45201-63J00 *	OPEL	1010
0402973	43340-39254	TOYOTA	1504	0403139	45201-63J00 *	SUZUKI	1436
0402974	43350-29035	TOYOTA	1515-1516	0403139	45201-63J00 *	VAUXHALL	1539
0402974	43350-29036	TOYOTA	1515-1516	0403139	45202-62J00 *	OPEL	1010
0402974	43360-29055	TOYOTA	1515-1516	0403139	45202-62J00 *	SUZUKI	1436
0402974	43360-29056	TOYOTA	1515-1516	0403139	45202-62J00 *	VAUXHALL	1539
0402997	43330-09070	TOYOTA	1473, 1482- 1483, 1523, 1525	0403139	45202-62J00 *	OPEL	1010
				0403139	45202-63J00 *	SUZUKI	1436
0402997	43330-09090	TOYOTA	1473, 1482- 1483, 1523, 1525	0403139	45202-63J00 *	VAUXHALL	1539
				0403139	4708299 *	OPEL	1010
0402997	43330-19115	TOYOTA	1473, 1482- 1483, 1523, 1525	0403139	4708299 *	SUZUKI	1436
				0403139	4708299 *	VAUXHALL	1539
				0403139	4708300 *	OPEL	1010
				0403139	4708300 *	SUZUKI	1436
				0403139	4708300 *	VAUXHALL	1539
0403013	8-94224-552-2	ISUZU	582, 584-585	0403207	7701468411	RENAULT	1187, 1200, 1216, 1254, 1263
0403013	8-94246-475-1	ISUZU	582, 584-585				
0403013	94224552	ISUZU	582, 584-585	0403208	7701469464	RENAULT	1215
0403013	94246475	ISUZU	582, 584-585	0403217	545009207R *	RENAULT	1195, 1219, 1257
0403016	7700807194	RENAULT	1203, 1253				
0403016	7700829322	RENAULT	1203	0403252	1532421 *	FORD	424, 441-442, 487
0403027	271591 *	VOLVO	1745				
0403027	3546524 *	VOLVO	1745	0403252	1532421 *	MAZDA	711
0403027-K	271591	VOLVO	1745	0403252	1532433 *	FORD	424, 441-442, 487
0403027-K	3546524	VOLVO	1745				
0403054	96434104903	PORSCHE	1160	0403252	1532433 *	MAZDA	711
0403057	99334104902	PORSCHE	1161	0403252	D651-34-300 *	FORD	424, 441-442, 487
0403058	FTC3570	LAND ROVER	679, 688				
0403060	FTC3571	LAND ROVER	679, 688	0403252	D651-34-300 *	MAZDA	711
0403083	45203-70C00	SUZUKI	1434	0403252	D651-34-350 *	FORD	424, 441-442, 487
0403088	4010A015	MITSUBISHI	896, 908, 910				
0403088	4010A099	MITSUBISHI	896, 908, 910	0403252	D651-34-350 *	MAZDA	711
0403088	MR-496792	MITSUBISHI	896, 908, 910	0403263	51810664 *	FIAT	356, 416
0403095	43330-09630	TOYOTA	1457, 1474, 1484, 1526- 1527, 1535	0403263	51810665 *	FIAT	356, 416
				0403263	51885660 *	FIAT	356, 416
0403095	43330-19245	TOYOTA	1457, 1474, 1484, 1526-	0403263	51885737 *	FIAT	356, 416
				0403282	51220-TA0-A01	HONDA	509

RIF. OCAP OCAP REF.	RIF. ORIG. O.E. NUMBER	MARCA MAKE	PAG.	RIF. OCAP OCAP REF.	RIF. ORIG. O.E. NUMBER	MARCA MAKE	PAG.
0403282	51220-TA0-A02	HONDA	509	0403492	MB-860830	MITSUBISHI	895, 906
0403282	51220TA0A02	HONDA	509	0403507	MB-527383-01	HYUNDAI	549
0403295	51350-TF0-030 *	HONDA	527	0403507	MB-527383-01	MITSUBISHI	899
0403295	51360-TF0-030 *	HONDA	527	0403507	MB-527384-01	HYUNDAI	549
0403350	51220-SM1-A01	HONDA	504-506	0403507	MB-527384-01	MITSUBISHI	899
0403350	51220-SM1-A01	ROVER GROUP	1292	0403507	MB-598018-Y	HYUNDAI	549
0403350	51220-SM4-003	HONDA	504-506	0403507	MB-598018-Y	MITSUBISHI	899
0403350	51220-SM4-003	ROVER GROUP	1292	0403513	40160-A8600	NISSAN	930, 988, 1003
0403350	51220-SM4-013	HONDA	504-506	0403513	40160-A8610	NISSAN	930, 988, 1003
0403350	51220-SM4-013	ROVER GROUP	1292	0403513	40160-A8625	NISSAN	930, 988, 1003
0403350	GSJ404	HONDA	504-506	0403513	40160-U7000	NISSAN	930, 988, 1003
0403350	GSJ404	ROVER GROUP	1292	0403513	48530-21000	NISSAN	930, 988, 1003
0403351	51450-SV4-000 *	HONDA	505	0403527	40160-01E00	NISSAN	933, 945, 971, 975
0403354	51270-SB0-003	HONDA	532	0403527	40160-01E25	NISSAN	933, 945, 971, 975
0403354	51270-SB0-013	HONDA	532	0403527	40160-51E00	NISSAN	933, 945, 971, 975
0403370	54503-14200	HYUNDAI	562	0403527	40160-85E00	NISSAN	933, 945, 971, 975
0403370	54520-11011	HYUNDAI	562	0403531	34004-6402P	NISSAN	934
0403370	54520-14200	HYUNDAI	562	0403531	34005-6402P	NISSAN	934
0403370	54530-14200	HYUNDAI	562	0403531	40110-J0125	NISSAN	934
0403372	5-51227-033-0	ISUZU	584	0403531	40110-T3002	NISSAN	934
0403374	54530-24000	HYUNDAI	563	0403531	40110-T3025	NISSAN	934
0403374	54530-24A00	HYUNDAI	563	0403531	40111-J0100	NISSAN	934
0403374	54530-28000	HYUNDAI	559, 563	0403531	40111-J0125	NISSAN	934
0403374	54530-28A00	HYUNDAI	559, 563	0403531	40111-T3002	NISSAN	934
0403375	8-94452-106-1	ISUZU	584	0403531	40111-T3025	NISSAN	934
0403382	0305-99-356A	MAZDA	714, 723	0403532	34006-6401P	NISSAN	934
0403383	8173-99-356	MAZDA	715, 723, 745	0403532	40160-J0100	NISSAN	934
0403383	8531-99-356	MAZDA	715, 723, 745	0403532	40160-J0125	NISSAN	934
0403390	0K201-34-550C	KIA	635	0403532	40160-T3002	NISSAN	934
0403390	0K201-34-550C	MAZDA	717	0403532	40160-T3025	NISSAN	934
0403390	0K201-34-550E	KIA	635	0403532	40160-T3026	NISSAN	934
0403390	0K201-34-550E	MAZDA	717	0403533	40110-01G00	NISSAN	934, 964, 966, 993-994, 998-999
0403390	B092-34-550	KIA	635	0403533	40110-01G25	NISSAN	934, 964, 966, 993-994, 998-999
0403390	B092-34-550	MAZDA	717	0403533	40110-01G26	NISSAN	934, 964, 966, 993-994, 998-999
0403398	B455-34-550	MAZDA	718	0403533	40110-B9500	NISSAN	934, 964, 966, 993-994, 998-999
0403399	B01A-34-500A	MAZDA	718-719, 737	0403533	40110-T3060	NISSAN	934, 964, 966, 993-994, 998-999
0403399	B01A-34-550	MAZDA	718-719, 737	0403533	40110-T6000	NISSAN	934, 964, 966, 993-994, 998-999
0403416	0866-99-356A	MAZDA	735	0403533	40110-T6025	NISSAN	934, 964, 966, 993-994, 998-999
0403417	8650-99-356	MAZDA	728, 735	0403533	40110-V0100	NISSAN	934, 964, 966, 993-994, 998-999
0403419	8559-99-354	MAZDA	728	0403535	40160-M0225	NISSAN	937
0403424	H2Y0-99-356	MAZDA	729	0403535	40160-M3025	NISSAN	937
0403454	MB-002475	MITSUBISHI	898	0403536	40160-M7025	NISSAN	937
0403455	MB-109587	MITSUBISHI	891-892, 898	0403542	40160-4F100	NISSAN	947
0403455	MB-109588	MITSUBISHI	891-892, 898	0403548	40160-0F000	NISSAN	966, 993-994
0403455	MB-175544	MITSUBISHI	891-892, 898	0403548	40160-50W00	NISSAN	966, 993-994
0403455	MB-175812	MITSUBISHI	891-892, 898	0403548	40160-50W01	NISSAN	966, 993-994
0403455	MB-176273	MITSUBISHI	891-892, 898	0403548	40160-50W10	NISSAN	966, 993-994
0403455	MB-176283	MITSUBISHI	891-892, 898				
0403455	MB-241818	MITSUBISHI	891-892, 898				
0403463	MB-002475	MITSUBISHI	891				
0403463	MB-002476	MITSUBISHI	891				
0403463	MB-109585	MITSUBISHI	891				
0403463	MB-112476	MITSUBISHI	891				
0403463	MB-112477	MITSUBISHI	891				
0403465	HB212100	HYUNDAI	545				
0403465	HB212200	HYUNDAI	545				
0403465	MB-176308	HYUNDAI	545				
0403465	MB-176308	MITSUBISHI	894, 900, 905				
0403476	MA-150801	MITSUBISHI	879				
0403476	MB-001695	MITSUBISHI	879				
0403477	MB-001696	MITSUBISHI	879, 884-885				
0403477	MB-001699	MITSUBISHI	879, 884-885				
0403477	MB-001715	MITSUBISHI	879, 884-885				
0403478	MB-185329	MITSUBISHI	880, 885, 921				
0403492	MB-860829	MITSUBISHI	895, 906				

RIF. OCAP OCAP REF.	RIF. ORIG. O.E. NUMBER	MARCA MAKE	PAG.	RIF. OCAP OCAP REF.	RIF. ORIG. O.E. NUMBER	MARCA MAKE	PAG.
0403548	40160-S0W25	NISSAN	966, 993-994				1533
0403552	40160-50J25	NISSAN	973, 976	0403680	43330-19045	TOYOTA	1479, 1530
0403552	40160-60Y60	NISSAN	973, 976	0403685	04436-20031	TOYOTA	1486
0403552	40160-69C00	NISSAN	973, 976	0403685	43308-20030	TOYOTA	1486
0403552	40160-70J00	NISSAN	973, 976	0403685	43330-29035	TOYOTA	1486
0403552	40160-86M00	NISSAN	973, 976	0403685	43340-29015	TOYOTA	1486
0403552	40160-J7500	NISSAN	973, 976	0403688	43330-29056	TOYOTA	1487
0403555	40160-W5000	NISSAN	929, 986, 989, 1004	0403688	43330-29066	TOYOTA	1487
0403561	40160-N8400	NISSAN	986	0403688	43340-29026	TOYOTA	1487
0403573	40160-H1001	NISSAN	987	0403688	43340-29036	TOYOTA	1487
0403574	40160-H7400	NISSAN	987, 989	0403712	43340-39125	TOYOTA	1493-1495
0403586	40160-50Y00	NISSAN	922, 992, 997	0403712	43340-39135	TOYOTA	1493-1495
0403586	40160-50Y10	NISSAN	922, 992, 997	0403712	43340-39205	TOYOTA	1493-1495
0403586	40160-52Y00	NISSAN	922, 992, 997	0403712	43340-39215	TOYOTA	1493-1495
0403586	40160-60Y10	NISSAN	922, 992, 997	0403715	43330-39245	TOYOTA	1503-1504
0403586	40160-60Y20	NISSAN	922, 992, 997	0403715	43330-39295	TOYOTA	1503-1504
0403586	40160-69Y00	NISSAN	922, 992, 997	0403715	43330-39445	TOYOTA	1503-1504
0403586	40160-69Y10	NISSAN	922, 992, 997	0403715	43340-39225	TOYOTA	1503-1504
0403586	40160-Y02G0	NISSAN	922, 992, 997	0403728	43308-12020	TOYOTA	1529
0403594	7210-67020	SUBARU	1414-1415	0403757	43350-29035	TOYOTA	1528
0403594	7210-67021	SUBARU	1414-1415	0403757	43350-29036	TOYOTA	1528
0403594	7210-67022	SUBARU	1414-1415	0403757	43360-29055	TOYOTA	1528
0403605	21067-GA050	SUBARU	1410, 1412- 1413, 1418- 1419, 1422	0403757	43360-29056	TOYOTA	1528
0403613	45700-67001	SUZUKI	1426	0403758	43330-29115	TOYOTA	1515-1516, 1528
0403622	45700-60A00	SUZUKI	1439	0403758	43330-29175	TOYOTA	1515-1516, 1528
0403629	43330-29140	TOYOTA	1464-1465	0403758	43340-29095	TOYOTA	1515-1516, 1528
0403629	43330-39135	TOYOTA	1464-1465	0403766	43330-29105	TOYOTA	1455, 1503- 1504
0403629	43330-39275	TOYOTA	1464-1465	0403766	43330-29215	TOYOTA	1455, 1503- 1504
0403629	43330-39345	TOYOTA	1464-1465	0403766	43330-29215	TOYOTA	1455, 1503- 1504
0403643	43330-29135	TOYOTA	1469, 1478, 1490-1491	0403766	43330-29305	TOYOTA	1455, 1503- 1504
0403643	43330-29136	TOYOTA	1469, 1478, 1490-1491	0403766	43330-29345	TOYOTA	1455, 1503- 1504
0403643	43330-29137	TOYOTA	1469, 1478, 1490-1491	0403766	43330-29345	TOYOTA	1455, 1503- 1504
0403643	43330-29138	TOYOTA	1469, 1478, 1490-1491	0403766	43330-39195	TOYOTA	1455, 1503- 1504
0403643	43330-29139	TOYOTA	1469, 1478, 1490-1491	0403766	43330-39255	TOYOTA	1455, 1503- 1504
0403643	43330-29205	TOYOTA	1469, 1478, 1490-1491	0403766	43340-39175	TOYOTA	1455, 1503- 1504
0403645	43330-29145	TOYOTA	1470, 1472, 1491-1492	0403766	43340-39235	TOYOTA	1455, 1503- 1504
0403645	43330-29146	TOYOTA	1470, 1472, 1491-1492	0403770	43350-29025	TOYOTA	1496
0403645	43330-29185	TOYOTA	1470, 1472, 1491-1492	0403784	43350-29045	TOYOTA	1497
0403671	43330-02020	TOYOTA	1458, 1471, 1481, 1492, 1520	0403784	43350-29056	TOYOTA	1497
0403671	43330-09030	TOYOTA	1458, 1471, 1481, 1492, 1520	0403784	43360-29065	TOYOTA	1497
0403671	43330-19095	TOYOTA	1458, 1471, 1481, 1492, 1520	0403784	43360-29076	TOYOTA	1497
0403671	43330-29265	TOYOTA	1458, 1471, 1481, 1492, 1520	0403785	43330-29125	TOYOTA	1497-1499
0403671	43330-29375	TOYOTA	1458, 1471, 1481, 1492, 1520	0403785	43330-29155	TOYOTA	1497-1499
0403674	43308-16010	TOYOTA	1532	0403785	43330-29295	TOYOTA	1497-1499
0403678	43330-19025	TOYOTA	1517-1518,	0403785	43330-29515	TOYOTA	1497-1499
				0403785	43330-29535	TOYOTA	1497-1499
				0403785	43340-29105	TOYOTA	1497-1499
				0403821	1214911 *	FORD	440
				0403821	1214911 *	MAZDA	710
				0403821	1214912 *	FORD	440
				0403821	1214912 *	MAZDA	710
				0403821	1679382	FORD	440
				0403821	1679382	MAZDA	710
				0403821	DD32-34-300 *	FORD	440
				0403821	DD32-34-300 *	MAZDA	710
				0403821	DD32-34-350 *	FORD	440
				0403821	DD32-34-350 *	MAZDA	710

RIF. OCAP OCAP REF.	RIF. ORIG. O.E. NUMBER	MARCA MAKE	PAG.	RIF. OCAP OCAP REF.	RIF. ORIG. O.E. NUMBER	MARCA MAKE	PAG.
0403829	3665787	FORD	475				828
0403829	8AU334510	FORD	475	0403904	1243330327	MERCEDES	761-763, 783, 828
0403829	UH7434550	FORD	475				
0403841	274186	VOLVO	1724, 1731	0403972	7200946	FORD	451
0403841	274193	VOLVO	1724, 1731	0403972	7M0407365A	SEAT	1307
0403841	274524	VOLVO	1724, 1731	0403972	7M0407365A	VOLKSWAGEN	1676
0403841	274544	VOLVO	1724, 1731	0403972	7M3407365A	SEAT	1307
0403841	274548	VOLVO	1724, 1731	0403972	7M3407365A	VOLKSWAGEN	1676
0403858	2113300235	MERCEDES	792, 821, 831	0403972	7M3407365C	SEAT	1307
0403858	2113300435	MERCEDES	792, 821, 831	0403972	7M3407365C	VOLKSWAGEN	1676
0403858	2203330327	MERCEDES	792, 821, 831	0404001	215407187B	VOLKSWAGEN	1700
0403858	2203330427	MERCEDES	792, 821, 831	0404001	251407187C	VOLKSWAGEN	1700
0403858	2203330727	MERCEDES	792, 821, 831	0404006	131405371G	VOLKSWAGEN	1710
0403867	1417351	FORD	496, 499	0404006	131405371J	VOLKSWAGEN	1710
0403867	1451917	FORD	496, 499	0404008	131405361F	VOLKSWAGEN	1710
0403867	1817754	FORD	496, 499	0404008	131405361G	VOLKSWAGEN	1710
0403867	KT6C113K209AA	FORD	496, 499	0404036	4656010	CHRYSLER	236
0403869	1417352	FORD	495, 498	0404036	4656010AB	CHRYSLER	236
0403869	1451914	FORD	495, 498	0404036	4656010AE	CHRYSLER	236
0403869	1763713	FORD	495, 498	0404042	71803699	TALBOT	1444
0403869	1817752	FORD	495, 498	0404043	1237991	TALBOT	1444
0403869	4041454	FORD	495, 498	0404043	71243896	TALBOT	1444
0403869	4120734	FORD	495, 498	0404043	71277312	TALBOT	1444
0403869	4173761	FORD	495, 498	0404070	51760-2R000	HYUNDAI	554
0403869	4381927	FORD	495, 498	0404070	51760-2R000	KIA	619
0403869	4616978	FORD	495, 498	0404071	51760-0Q000	HYUNDAI	554
0403869	4630551	FORD	495, 498	0404071	51760-0Q000	KIA	619, 626
0403875	4422269*	NISSAN	954	0404071	51760-2G000	HYUNDAI	554
0403875	4422269*	OPEL	1067	0404071	51760-2G000	KIA	616, 619, 626
0403875	4422269*	RENAULT	1269	0404071	51760-2H000	HYUNDAI	554
0403875	4422270 *	NISSAN	954	0404071	51760-2H000	KIA	619, 626
0403875	4422270 *	OPEL	1067	0404087	51760-38000	HYUNDAI	568, 570
0403875	4422270 *	RENAULT	1269	0404087	51760-38000	KIA	624
0403875	54500-00Q2B *	NISSAN	954	0404092	54430-3F600	HYUNDAI	571
0403875	545006069R*	NISSAN	954	0404093	51760-3K000	HYUNDAI	572
0403875	545006069R*	OPEL	1067	0404101	6375623	VAUXHALL	1569
0403875	545006069R*	RENAULT	1269	0404101	7158017	VAUXHALL	1569
0403875	545019956R*	NISSAN	954	0404101	7198152	VAUXHALL	1569
0403875	545019956R*	OPEL	1067	0404101	7216507	VAUXHALL	1569
0403875	545019956R*	RENAULT	1269	0404101	8818976	VAUXHALL	1569
0403875	93868599*	NISSAN	954	0404115	MB-860408 *	MITSUBISHI	892
0403875	93868599*	OPEL	1067	0404118	MB527157-01	MITSUBISHI	893
0403875	93868599*	RENAULT	1269	0404118	MB-52751101	MITSUBISHI	893
0403875	93868600*	NISSAN	954	0404118	MR-241024 *	MITSUBISHI	893
0403875	93868600*	OPEL	1067	0404119	MR-241027	MITSUBISHI	893
0403875	93868600*	RENAULT	1269	0404128	4013A090	MITSUBISHI	896
0403877	4408959 *	NISSAN	972	0404141	4013A211	MITSUBISHI	908, 910
0403877	4408959 *	OPEL	1065	0404141	MR-496799	MITSUBISHI	908, 910
0403877	4408959 *	RENAULT	1193, 1204, 1267	0404149	43330-09295	TOYOTA	1505, 1507
0403877	4408959 *	VAUXHALL	1570	0404149	43330-09490	TOYOTA	1505, 1507
0403877	54502-00QAA *	NISSAN	972	0404149	43330-09510	TOYOTA	1505, 1507
0403877	54502-00QAA *	OPEL	1065	0404161	3640.35	PEUGEOT	1133
0403877	54502-00QAA *	RENAULT	1193, 1204, 1267	0404161	3640.41	PEUGEOT	1133
0403877	54502-00QAA *	VAUXHALL	1570	0404161	364035	PEUGEOT	1133
0403877	7701476576	NISSAN	972	0404169	GSV1212	ROVER GROUP	1278
0403877	7701476576	OPEL	1065	0404172	40160-AX000	NISSAN	949
0403877	7701476576	RENAULT	1193, 1204, 1267	0404172	40160-AX000	RENAULT	1217
0403877	7701476576	VAUXHALL	1570	0404172	6040135517	NISSAN	949
0403892	4302209	OPEL	1034	0404172	6040135517	RENAULT	1217
0403892	94459464	OPEL	1034	0404173	401604793R	DACIA	318
0403896	GSV1217	ROVER GROUP	1279	0404173	401604793R	RENAULT	1181, 1188- 1189, 1217, 1256
0403904	1243330127	MERCEDES	761-763, 783,	0404209	31103412726	BMW	201
				0404209	31103418341	BMW	201

RIF. OCAP OCAP REF.	RIF. ORIG. O.E. NUMBER	MARCA MAKE	PAG.	RIF. OCAP OCAP REF.	RIF. ORIG. O.E. NUMBER	MARCA MAKE	PAG.
0404242	51270-S01-013	HONDA	506	0404463	364069	CITROEN	272, 274
0404242	51270-S01-023	HONDA	506	0404463	364069	PEUGEOT	1134-1135, 1142
0404242	51270-S04-013	HONDA	506				
0404242	51270-S04-023	HONDA	506	0404463	364072	CITROEN	272, 274
0404242	51270-S0A-003	HONDA	506	0404463	364072	PEUGEOT	1134-1135, 1142
0404242	51270-S84-A01	HONDA	506				
0404242	51270-SR3-013	HONDA	506	0404465	54503-3BA00	HYUNDAI	564-565, 574
0404242	51270-SR3-023	HONDA	506	0404465	54530-2B000	HYUNDAI	564-565, 574
0404243	33326756249	BMW	134, 155, 157, 198	0404465	54530-2B000	KIA	639
0404243	33326775552	BMW	134, 155, 157, 198	0404465	54530-3B000	HYUNDAI	564-565, 574
0404248	96490218	CHEVROLET - DAEWOO 230		0404483	274377	VOLVO	1725, 1734
0404255	96261108	CHEVROLET - DAEWOO 233		0404483	274523	VOLVO	1725, 1734
0404259	96535089	CHEVROLET - DAEWOO 218, 224		0404483	274573	VOLVO	1725, 1734
0404260	6393300410 *	MERCEDES	847-848	0404507	1234382	FORD	446
0404260	6393300510 *	MERCEDES	847-848	0404507	1234382	VOLVO	1716, 1721
0404260	6393330227 *	MERCEDES	847-848	0404549	51220-SL5-003	HONDA	535
0404260	6393330427 *	MERCEDES	847-848	0404558	43310-60010	TOYOTA	1512-1513
0404267	4143330127	MERCEDES	844	0404558	43310-60020	TOYOTA	1512-1513
0404267	4143330227	MERCEDES	844	0404558	43310-60030	TOYOTA	1512-1513
0404273	0003301007	MERCEDES	791, 831	0404558	43310-60050	TOYOTA	1512-1513
0404273	2113309907	MERCEDES	791, 831	0404559	48620-60010 *	TOYOTA	1512
0404274	2113230068	MERCEDES	792, 821, 831	0404559	48640-60010 *	TOYOTA	1512
0404274	2203230368	MERCEDES	792, 821, 831	0404561	48068-60010 *	TOYOTA	1513
0404291	51220-S5A-003	HONDA	516	0404561	48069-60010 *	TOYOTA	1513
0404291	51220-S5A-J10	HONDA	516	0404567	54530-4D000	KIA	618
0404291	51220-S5A-J30	HONDA	516	0404576	0K710-34-540	KIA	623
0404303	311405371	VOLKSWAGEN	1714-1715	0404577	0K710-34-510	KIA	623
0404303	311405371C	VOLKSWAGEN	1714-1715	0404580	0K72A-34-510A	KIA	630
0404304	311405361B	VOLKSWAGEN	1714-1715	0404589	8AU3-34-510	MAZDA	731
0404324	43330-29235	TOYOTA	1521	0404599	MR-508130	MITSUBISHI	909
0404335	7H8407361	VOLKSWAGEN	1705	0404600	364077	CITROEN	258, 260, 267, 286
0404335	7H8407361A	VOLKSWAGEN	1705	0404600	364077	PEUGEOT	1103-1105
0404336	7H0407361	VOLKSWAGEN	1705	0404612	7701464037	RENAULT	1251
0404341	4616978	FORD	485	0404615	54500-6F600 *	NISSAN	948
0404365	51450-SDA-A01 *	HONDA	507, 509	0404620	40110-EA000	NISSAN	958
0404365	51460-SDA-A01 *	HONDA	507, 509	0404620	54524-EB30A *	NISSAN	958
0404366	51350-SEA-E01 *	HONDA	507	0404620	54525-EB30A *	NISSAN	958
0404366	51360-SEA-E01 *	HONDA	507	0404621	54500-EB30C *	NISSAN	959
0404370	51220-S2H-013	HONDA	526	0404621	54501-EB30C *	NISSAN	959
0404370	51220-SAA-013	HONDA	526	0404625	40160-2S601	NISSAN	968
0404370	51220-SAA-E01	HONDA	526	0404626	40110-2S485	NISSAN	968
0404370	51220-SEL-T01	HONDA	526	0404626	40110-2S486	NISSAN	968
0404385	54500-AV600 *	NISSAN	977	0404626	40110-2S685	NISSAN	968
0404386	364057	CITROEN	272, 274	0404626	40110-2S686	NISSAN	968
0404386	364057	PEUGEOT	1134-1135, 1142	0404627	40160-00Q0A	NISSAN	972
0404386	364074	CITROEN	272, 274	0404627	4431869	NISSAN	972
0404386	364074	PEUGEOT	1134-1135, 1142	0404627	4431869	OPEL	1066
0404398	54500-BM410 *	NISSAN	925	0404627	7701477385	RENAULT	1268
0404398	54501-BM410 *	NISSAN	925	0404627	93161884	NISSAN	972
0404399	40160-60Y00	NISSAN	924	0404627	93161884	OPEL	1066
0404411	43330-49025	TOYOTA	1524	0404643	40160-VW000	NISSAN	1000
0404428	BK3P-34-300D	MAZDA	712, 736	0404645	40110-G3700	NISSAN	1001-1002
0404428	LC62-32-280	MAZDA	712, 736	0404645	40110-G5100	NISSAN	1001-1002
0404431	GJ6A-34-540	MAZDA	721-722	0404645	40110-G5110	NISSAN	1001-1002
0404447	NA01-34-550	MAZDA	738-739	0404646	40160-G2500	NISSAN	1001-1002
0404449	1693330127	MERCEDES	758	0404646	40160-G2525	NISSAN	1001-1002
0404457	54530-02050	HYUNDAI	542	0404646	40160-G4010	NISSAN	1001-1002
0404457	54530-02500	HYUNDAI	542	0404646	40160-G5400	NISSAN	1001-1002
0404463	364058	CITROEN	272, 274	0404649	4454109002	SSANGYONG	1404, 1406, 1408
0404463	364058	PEUGEOT	1134-1135, 1142	0404649	4454109004	SSANGYONG	1404, 1406, 1408
				0404800	2013520027	MERCEDES	764, 767, 770, 780, 785, 788,

RIF. OCAP OCAP REF.	RIF. ORIG. O.E. NUMBER	MARCA MAKE	PAG.	RIF. OCAP OCAP REF.	RIF. ORIG. O.E. NUMBER	MARCA MAKE	PAG.
			830, 835	0405738	54530-2T010	KIA	620
0404800	2203520227	MERCEDES	764, 767, 770, 780, 785, 788, 830, 835	0405738	54530-3S100	HYUNDAI	555
				0405738	54530-3S100	KIA	620
0404800	2303520027	MERCEDES	764, 767, 770, 780, 785, 788, 830, 835	0405740	545000008R *	RENAULT	1207
				0405740	545010010R *	RENAULT	1207
0405009	116280	FERRARI	338	0405741	3640.83	PEUGEOT	1140
0405010	133944	FERRARI	338	0405741	364083	PEUGEOT	1140
0405011	502165	FERRARI	338	0405744	4766910AG *	CHRYSLER	239
0405012	589122	FERRARI	338	0405744	4766911AG *	CHRYSLER	239
0405014	132776	FERRARI	338	0405745	352532	CHEVROLET - DAEWOO 219, 235	
0405069	542410018	LDV	697	0405745	352532	OPEL	1047
0405069	542410025	LDV	697	0405745	95017034	CHEVROLET - DAEWOO 219, 235	
0405183	5237516	SAAB	1302	0405745	95017034	OPEL	1047
0405189	43330-09360	TOYOTA	1485	0405745	95907943	CHEVROLET - DAEWOO 219, 235	
0405195	54530-3J000	HYUNDAI	548	0405745	95907943	OPEL	1047
0405200	43310-09015	TOYOTA	1505, 1507	0405745	95916024	CHEVROLET - DAEWOO 219, 235	
0405200	43310-09030	TOYOTA	1505, 1507	0405745	95916024	OPEL	1047
0405200	43310-0K010	TOYOTA	1505, 1507	0405746	2H0407021B *	VOLKSWAGEN	1571
0405200	43310-0K040	TOYOTA	1505, 1507	0405746	2H0407022B *	VOLKSWAGEN	1571
0405336	545000011R *	RENAULT	1206	0405747	2H0407151A *	VOLKSWAGEN	1572
0405336	545000012R *	RENAULT	1206	0405747	2H0407152A *	VOLKSWAGEN	1572
0405337	4806301 *	CHEVROLET - DAEWOO 220		0405752	51945321	FIAT	417
0405337	4806301 *	OPEL	1011	0405752	51945321	JEEP	610
0405337	4812870 *	CHEVROLET - DAEWOO 220		0405754	52026562	FIAT	397
0405337	4812870 *	OPEL	1011	0405756	5085914AD	FIAT	366
0405337	96819161 *	CHEVROLET - DAEWOO 220		0405756	K05090033AA	FIAT	366
0405337	96819161 *	OPEL	1011	0405756	K05090033AB	FIAT	366
0405337	96852964 *	CHEVROLET - DAEWOO 220		0405760	48068-B4011 *	DAIHATSU	337
0405337	96852964 *	OPEL	1011	0405769	9672192480	PEUGEOT	1123-1124
0405337	96852964 *	OPEL	1011	0405770	4533302900 *	RENAULT	1273
0405337	96852964	OPEL	1011	0405770	4533302900 *	SMART	1401, 1403
0405338	50521045 *	ALFA ROMEO	25	0405770	4533303000 *	RENAULT	1273
0405338	50521046 *	ALFA ROMEO	25	0405770	4533303000 *	SMART	1401, 1403
0405339	4513300010 *	SMART	1400	0405770	4533303100 *	RENAULT	1273
0405345	2123300135	MERCEDES	795	0405770	4533303100 *	SMART	1401, 1403
0405348	RBK000012	LAND ROVER	689	0405770	4533303200 *	RENAULT	1273
0405348	RBK500150	LAND ROVER	689	0405770	4533303200 *	SMART	1401, 1403
0405348	RBK500210	LAND ROVER	689	0405770	545047654R *	RENAULT	1273
0405493	96639918	CHEVROLET - DAEWOO 222		0405770	545047654R *	SMART	1401, 1403
0405556	31106787665	BMW	203	0405770	545051097R *	RENAULT	1273
0405560	31109803662	MINI	863	0405770	545051097R *	SMART	1401, 1403
0405563	32126777753	BMW	172, 177, 182, 194	0405770	545057345R *	RENAULT	1273
0405570	8-97235-777-0	ISUZU	580	0405770	545057345R *	SMART	1401, 1403
0405570	8-97365-018-0	ISUZU	580	0405770	545058628R *	RENAULT	1273
0405570	8-98005827-0	ISUZU	580	0405773	545058628R *	SMART	1401, 1403
0405570	8-98005-827-00	ISUZU	580	0405773	2053230068 *	MERCEDES	775
0405586	1454901	FORD	476	0405773	2053306001 *	MERCEDES	775
0405586	1454901	MAZDA	732	0405773	2053306101 *	MERCEDES	775
0405586	1454902	FORD	476	0405773	2053306201 *	MERCEDES	775
0405586	1454902	MAZDA	732	0405782	4H0407689	AUDI	84
0405586	UR61-34-550	FORD	476	0405782	4H0407689A	AUDI	84
0405586	UR61-34-550	MAZDA	732	0405784	1663300235	MERCEDES	809
0405592	4782740AB	CHRYSLER	240	0405798	39021472 *	OPEL	1024
0405592	68159271AA	CHRYSLER	240	0405798	39021473 *	OPEL	1024
0405592	K05290539AB	CHRYSLER	240	0406493	51905057 *	FIAT	379
0405592	K68159271AA	CHRYSLER	240	0406493	51905057 *	LANCIA	673
0405593	95032440 *	CHEVROLET - DAEWOO 232		0406493	51905058 *	FIAT	379
0405593	95032441 *	CHEVROLET - DAEWOO 232		0406493	51905058 *	LANCIA	673
0405596	33326780438	BMW	173, 178, 183, 195	0407249	500379801 *	IVECO	589
0405598	54500-1HA0C *	NISSAN	950	0407249	500379802 *	IVECO	589
0405598	54501-1HA0C *	NISSAN	950	0407250	500334716 *	IVECO	589
0405738	54530-2P100	HYUNDAI	555	0407250	500334717 *	IVECO	589
0405738	54530-2T010	HYUNDAI	555	0407893	504212584	IVECO	590
				0407893	504212586	IVECO	590
				0407894	5801378064	IVECO	590

RIF. OCAP OCAP REF.	RIF. ORIG. O.E. NUMBER	MARCA MAKE	PAG.	RIF. OCAP OCAP REF.	RIF. ORIG. O.E. NUMBER	MARCA MAKE	PAG.
0408063	51220-STK-A01	HONDA	522-523	0408520	401109X50A	NISSAN	935-936
0408071	54500-1KA0B *	NISSAN	938, 940, 953, 995	0408520	40110-9X50B	NISSAN	935-936
0408071	54500-EL000 *	NISSAN	938, 940, 953, 995	0408520	40110-LC10A	NISSAN	935-936
0408071	54500-EW000 *	NISSAN	938, 940, 953, 995	0408675	2N0407361A	MAN	705
0408071	54501-1KA0B *	NISSAN	938, 940, 953, 995	0408675	2N0407361A	VOLKSWAGEN	1585
0408071	54501-EL000 *	NISSAN	938, 940, 953, 995	0408675	65433160006	MAN	705
0408071	54501-EW000 *	NISSAN	938, 940, 953, 995	0408675	65433160006	VOLKSWAGEN	1585
0408071	54501-EL000 *	NISSAN	938, 940, 953, 995	0408676	104396600A *	TESLA	1452
0408071	54501-EW000 *	NISSAN	938, 940, 953, 995	0408838	2112614 *	FORD	443
0408071	54501-EW000 *	NISSAN	938, 940, 953, 995	0408838	2112616 *	FORD	443
0408071	54501-EW000 *	NISSAN	938, 940, 953, 995	0408845	4473330127	MERCEDES	849-850
0408077	3520V0 *	CITROEN	265, 285	0409200	602672	ROVER GROUP	1275-1276
0408077	3520V0 *	MITSUBISHI	866, 888, 902- 903	0409201	602673	ROVER GROUP	1275
0408077	3520V0 *	PEUGEOT	1153-1154	0409262	05105040AA *	JEEP	606
0408077	3521V0 *	CITROEN	265, 285	0409262	05105041AA *	JEEP	606
0408077	3521V0 *	MITSUBISHI	866, 888, 902- 903	0409283	48610-59025 *	LEXUS	700
0408077	3521V0 *	PEUGEOT	1153-1154	0409283	48630-59025 *	LEXUS	700
0408077	4013A009 *	CITROEN	265, 285	0409422	5801564293 *	IVECO	591
0408077	4013A009 *	MITSUBISHI	866, 888, 902- 903	0409423	5801564316 *	IVECO	591
0408077	4013A009 *	PEUGEOT	1153-1154	0480016	7701450637	RENAULT	1223, 1225- 1226, 1228
0408077	4013A010 *	CITROEN	265, 285	0480016	7701450638	RENAULT	1223, 1225- 1226, 1228
0408077	4013A010 *	MITSUBISHI	866, 888, 902- 903	0480016	7701462283	RENAULT	1223, 1225- 1226, 1228
0408077	4013A010 *	PEUGEOT	1153-1154	0480016	7701463687	RENAULT	1223, 1225- 1226, 1228
0408077	4013A010 *	PEUGEOT	1153-1154	0480093	3074073662	VOLKSWAGEN	1586
0408083	4G0407689A	AUDI	58, 74, 76, 91	0480113	352827	OPEL	1054
0408083	4G0407689A	PORSCHE	1174	0480113	352827	VAUXHALL	1549
0408083	4G0407689C	AUDI	58, 74, 76, 91	0480113	90272195	OPEL	1054
0408083	4G0407689C	PORSCHE	1174	0480113	90272195	VAUXHALL	1549
0408089	31277525 *	VOLVO	1732	0480146	40160-48W00	NISSAN	934, 964, 966, 998
0408089	31277526 *	VOLVO	1732	0480146	40160-48W25	NISSAN	934, 964, 966, 998
0408090	30683248 *	VOLVO	1733	0480146	40160-B9500	NISSAN	934, 964, 966, 998
0408090	30683249 *	VOLVO	1733	0480146	40160-F1700	NISSAN	934, 964, 966, 998
0408092	54530-3S000	HYUNDAI	558	0480146	40160-T3060	NISSAN	934, 964, 966, 998
0408092	54530-3S000	KIA	643	0480287	6N0407365A	SEAT	1313, 1316
0408094	54530-2K000	HYUNDAI	551	0480287	6N0407365A	VOLKSWAGEN	1627, 1661- 1662
0408094	54530-2K000	KIA	628, 634, 640	0480381	3074073665	VOLKSWAGEN	1586
0408097	EH44-34-300 *	MAZDA	733	0480451	893505366C	AUDI	88, 114
0408097	EH44-34-350 *	MAZDA	733	0480866	1228800	VOLVO	1738
0408099	545004529R *	DACIA	316, 319	0480866	1273140	VOLVO	1738
0408099	545004529R *	RENAULT	1264	0480866	1273146	VOLVO	1738
0408099	545011727R *	DACIA	316, 319	0480866	1330820	VOLVO	1738
0408099	545011727R *	RENAULT	1264	0480866	274119	VOLVO	1738
0408502	545045297R *	RENAULT	1220	0481852	6Q0407366A	SEAT	1332
0408502	545049124R *	RENAULT	1220	0481852	6Q0407366A	SKODA	1362, 1386
0408502	545054733R *	RENAULT	1220	0481852	6Q0407366A	VOLKSWAGEN	1588, 1666
0408502	545057449R *	RENAULT	1220	0481866	31126753992	MINI	857
0408503	545047275R *	RENAULT	1194, 1221, 1258	0482002	893407366A	AUDI	110, 113
0408503	545049671R *	RENAULT	1194, 1221, 1258	0482004	893407366F	AUDI	87, 111, 113
0408503	545050303R *	RENAULT	1194, 1221, 1258	0482005	8A0407366	AUDI	87, 115
0408503	545056711R *	RENAULT	1194, 1221, 1258	0482016	325407366	AUDI	109, 111
0408513	3637430	OPEL	1036	0482016	325407366	VOLKSWAGEN	1634-1635
0408513	9803434080	CITROEN	269-270	0482016	377407366B	AUDI	109, 111
0408513	9803434080	OPEL	1036	0482016	377407366B	VOLKSWAGEN	1634-1635
0408513	9803434080	PEUGEOT	1152	0482016	855407366A	AUDI	109, 111
0408519	40160-9X502	NISSAN	935-936	0482016	855407366A	VOLKSWAGEN	1634-1635
0408519	40160-9X50B	NISSAN	935-936	0482016	855407366A	AUDI	109, 111
0408520	40110-9X502	NISSAN	935-936	0482016	855407366A	VOLKSWAGEN	1634-1635

RIF. OCAP OCAP REF.	RIF. ORIG. O.E. NUMBER	MARCA MAKE	PAG.	RIF. OCAP OCAP REF.	RIF. ORIG. O.E. NUMBER	MARCA MAKE	PAG.
0482016	855407366B	AUDI	109, 111				1343-1344, 1347
0482016	855407366B	VOLKSWAGEN	1634-1635				
0482061	893407366E	AUDI	111	0484281	1K0407366B	SKODA	1376-1377, 1380, 1391- 1392
0482093	855407366	AUDI	110				
0482108	895407366A	AUDI	115	0484281	1K0407366B	VOLKSWAGEN	1573, 1605- 1607, 1610- 1611, 1613, 1616-1617, 1619, 1671- 1674, 1680- 1681, 1690- 1691, 1694
0482117	3C0407366A	AUDI	47, 89				
0482117	3C0407366A	SEAT	1309, 1318, 1348				
0482117	3C0407366A	SKODA	1369, 1371, 1381, 1394				
0482117	3C0407366A	VOLKSWAGEN	1580-1581, 1614, 1648- 1649, 1652, 1678, 1683, 1696	0484281	1K0407366C	AUDI	34-35, 42-43, 46
0482117	3C0407366B	AUDI	47, 89	0484281	1K0407366C	SEAT	1311-1312, 1338-1339, 1343-1344, 1347
0482117	3C0407366B	SEAT	1309, 1318, 1348				
0482117	3C0407366B	SKODA	1369, 1371, 1381, 1394	0484281	1K0407366C	SKODA	1376-1377, 1380, 1391- 1392
0482117	3C0407366B	VOLKSWAGEN	1580-1581, 1614, 1648- 1649, 1652, 1678, 1683, 1696	0484281	1K0407366C	VOLKSWAGEN	1573, 1605- 1607, 1610- 1611, 1613, 1616-1617, 1619, 1671- 1674, 1680- 1681, 1690- 1691, 1694
0482532	GSJ730	ROVER GROUP	1285				
0482618	31126772304	MINI	859				
0482622	43330-39415	TOYOTA	1456, 1511	0484281	1K0407366E	AUDI	34-35, 42-43, 46
0482622	43330-39466	TOYOTA	1456, 1511	0484281	1K0407366E	SEAT	1311-1312, 1338-1339, 1343-1344, 1347
0482622	43330-39585	TOYOTA	1456, 1511				
0482964	43330-19085	TOYOTA	1519, 1530	0484281	1K0407366E	SKODA	1376-1377, 1380, 1391- 1392
0483037	1J0407366A	AUDI	40	0484281	1K0407366E	VOLKSWAGEN	1573, 1605- 1607, 1610- 1611, 1613, 1616-1617, 1619, 1671- 1674, 1680- 1681, 1690- 1691, 1694
0483037	1J0407366A	VOLKSWAGEN	1575				
0483037	1J0407366B	AUDI	40	0484281	1K0407366E	SKODA	1376-1377, 1380, 1391- 1392
0483037	1J0407366B	VOLKSWAGEN	1575				
0483037	1J0407366C	AUDI	40	0484281	1K0407366E	VOLKSWAGEN	1573, 1605- 1607, 1610- 1611, 1613, 1616-1617, 1619, 1671- 1674, 1680- 1681, 1690- 1691, 1694
0483037	1J0407366C	SEAT	1341				
0483037	1J0407366C	SKODA	1374	0484281	1K0407366E	SEAT	1311-1312, 1338-1339, 1343-1344, 1347
0483037	1J0407366C	VOLKSWAGEN	1575, 1602, 1629				
0483037	1J0407366D	AUDI	40	0484281	5Q0407366A	AUDI	34-35, 42-43, 46
0483037	1J0407366D	VOLKSWAGEN	1575	0484281	5Q0407366A	SEAT	1311-1312, 1338-1339, 1343-1344, 1347
0483214	4153300200 *	MERCEDES	839				
0483214	4153300200 *	RENAULT	1201	0484281	5Q0407366A	SKODA	1376-1377, 1380, 1391- 1392
0483214	8200586567 *	MERCEDES	839				
0483214	8200586567 *	RENAULT	1201	0484281	5Q0407366A	VOLKSWAGEN	1573, 1605- 1607, 1610- 1611, 1613, 1616-1617, 1619, 1671- 1674, 1680- 1681, 1690- 1691, 1694
0483287	51220-SNA-A02	HONDA	518				
0483287	51220-SNA-A03	HONDA	518				
0483318	43350-87501	DAIHATSU	331				
0483318	43370-87501	DAIHATSU	331	0484281	5Q0407366A	SKODA	1376-1377, 1380, 1391- 1392
0483319	43330-87501	DAIHATSU	331				
0483319	43330-87580	DAIHATSU	331				
0483320	43330-87581	DAIHATSU	331	0484281	5Q0407366A	VOLKSWAGEN	1573, 1605- 1607, 1610- 1611, 1613, 1616-1617, 1619, 1671- 1674, 1680- 1681, 1690- 1691, 1694
0483358	54540-21000	HYUNDAI	562				
0483358	54540-21100	HYUNDAI	562				
0483358	54540-21A00	HYUNDAI	562				
0483438	MB-109169	MITSUBISHI	886				
0483493	MB-831038	MITSUBISHI	895, 907				
0483493	MR-296270	MITSUBISHI	895, 907				
0483567	40160-D0125	NISSAN	929				
0483666	43330-19065	TOYOTA	1480	0484338	43330-09160	LEXUS	704
0483666	43330-19066	TOYOTA	1480	0484338	43330-09160	TOYOTA	1467, 1522
0484179	40160-9C500	NISSAN	985	0484338	43330-29405	LEXUS	704
0484281	1K0407366B	AUDI	34-35, 42-43, 46	0484338	43330-29405	TOYOTA	1467, 1522
0484281	1K0407366B	SEAT	1311-1312, 1338-1339,	0484338	43330-29615	LEXUS	704
				0484338	43330-29615	TOYOTA	1467, 1522

RIF. OCAP OCAP REF.	RIF. ORIG. O.E. NUMBER	MARCA MAKE	PAG.	RIF. OCAP OCAP REF.	RIF. ORIG. O.E. NUMBER	MARCA MAKE	PAG.
0484354	5352026	OPEL	1044	0490146	40161-B9500	NISSAN	934, 964, 966, 998
0484354	5352026	VAUXHALL	1560	0490146	40161-F1700	NISSAN	934, 964, 966, 998
0484354	93174599	OPEL	1044	0490146	40161-T3060	NISSAN	934, 964, 966, 998
0484354	93174599	VAUXHALL	1560	0490287	6N0407365	SEAT	1313, 1316
0485172	8J0407366	AUDI	99	0490287	6N0407365	VOLKSWAGEN	1627, 1661- 1662
0485341	5U0407366A	AUDI	31-32	0490381	3074073655	VOLKSWAGEN	1586
0485341	5U0407366A	SEAT	1333, 1335- 1336, 1352	0490451	893505365C	AUDI	88, 114
0485341	5U0407366A	SKODA	1358, 1362, 1364, 1366, 1383, 1386	0490866	1228799	VOLVO	1738
0485341	5U0407366A	VOLKSWAGEN	1667, 1669, 1707	0490866	1273139	VOLVO	1738
0485341	6R0407366	AUDI	31-32	0490866	1330819	VOLVO	1738
0485341	6R0407366	SEAT	1333, 1335- 1336, 1352	0490866	1330821	VOLVO	1738
0485341	6R0407366	SKODA	1358, 1362, 1364, 1366, 1383, 1386	0490866	274118	VOLVO	1738
0485341	6R0407366	VOLKSWAGEN	1667, 1669, 1707	0491852	6Q0407365A	SEAT	1332
0485341	6R0407366A	AUDI	31-32	0491852	6Q0407365A	SKODA	1362, 1386
0485341	6R0407366A	SEAT	1333, 1335- 1336, 1352	0491852	6Q0407365A	VOLKSWAGEN	1588, 1666
0485341	6R0407366A	SKODA	1358, 1362, 1364, 1366, 1383, 1386	0491852	8Z0407365A	AUDI	38
0485341	6R0407366A	VOLKSWAGEN	1667, 1669, 1707	0491866	31126753991	MINI	857
0485497	43330-39625	LEXUS	702	0492002	893407365A	AUDI	110, 113
0486494	1502086 *	FORD	460-461	0492004	893407365F	AUDI	87, 111, 113
0486494	1723323 *	FORD	460-461	0492005	8A0407365	AUDI	87, 115
0486494	1781658 *	FORD	460-461	0492016	325407365	AUDI	109, 111
0486494	1793236 *	FORD	460-461	0492016	325407365	VOLKSWAGEN	1634-1635
0488069	1702970 *	FORD	449, 486	0492016	377407365B	AUDI	109, 111
0488069	1709423 *	FORD	449, 486	0492016	377407365B	VOLKSWAGEN	1634-1635
0488069	1709424 *	FORD	449, 486	0492016	855407365A	AUDI	109, 111
0488069	1742265 *	FORD	449, 486	0492016	855407365A	VOLKSWAGEN	1634-1635
0488506	377407366B	VOLKSWAGEN	1590	0492016	855407365B	AUDI	109, 111
0488671	43330-09330	LEXUS	698	0492016	855407365A	VOLKSWAGEN	1634-1635
0488671	43330-09580	LEXUS	698	0492016	855407365B	AUDI	109, 111
0488671	43330-09590	LEXUS	698	0492016	855407365B	VOLKSWAGEN	1634-1635
0488671	43330-39775	LEXUS	698	0492061	893407365E	AUDI	111
0488671	43330-39845	LEXUS	698	0492093	855407365	AUDI	110
0489261	604154	ROVER GROUP	1276	0492108	895407365A	AUDI	115
0489282	43330-59065	LEXUS	700	0492117	3C0407365A	AUDI	47, 89
0489282	43330-59066	LEXUS	700	0492117	3C0407365A	SEAT	1309, 1318, 1348
0489282	43330-59135	LEXUS	700	0492117	3C0407365A	SKODA	1369, 1371, 1381, 1394
0489285	43330-39455	LEXUS	699	0492117	3C0407365A	VOLKSWAGEN	1580-1581, 1614, 1648- 1649, 1652, 1678, 1683, 1696
0489285	43330-39535	LEXUS	699	0492117	3C0407365B	AUDI	47, 89
0490016	7701450635	RENAULT	1223, 1225- 1226, 1228	0492117	3C0407365B	SEAT	1309, 1318, 1348
0490016	7701450636	RENAULT	1223, 1225- 1226, 1228	0492117	3C0407365B	SKODA	1369, 1371, 1381, 1394
0490016	7701462282	RENAULT	1223, 1225- 1226, 1228	0492117	3C0407365B	VOLKSWAGEN	1580-1581, 1614, 1648- 1649, 1652, 1678, 1683, 1696
0490016	7701463686	RENAULT	1223, 1225- 1226, 1228	0492532	GSJ731	ROVER GROUP	1285
0490093	3074073652	VOLKSWAGEN	1586	0492618	31126772303	MINI	859
0490113	352826	OPEL	1054	0492622	43340-39325	TOYOTA	1456, 1511
0490113	352826	VAUXHALL	1549	0492622	43340-39356	TOYOTA	1456, 1511
0490113	90272194	OPEL	1054	0492622	43340-39465	TOYOTA	1456, 1511
0490113	90272194	VAUXHALL	1549	0492964	43340-19025	TOYOTA	1519, 1530
0490146	40161-48W00	NISSAN	934, 964, 966, 998	0493037	1J0407365A	AUDI	40
0490146	40161-48W25	NISSAN	934, 964, 966, 998	0493037	1J0407365A	VOLKSWAGEN	1575
				0493037	1J0407365B	AUDI	40
				0493037	1J0407365B	VOLKSWAGEN	1575
				0493037	1J0407365C	AUDI	40
				0493037	1J0407365C	SEAT	1341

RIF. OCAP OCAP REF.	RIF. ORIG. O.E. NUMBER	MARCA MAKE	PAG.	RIF. OCAP OCAP REF.	RIF. ORIG. O.E. NUMBER	MARCA MAKE	PAG.
0493037	1J0407365C	SKODA	1374				1392
0493037	1J0407365C	VOLKSWAGEN	1575, 1602, 1629	0494281	1K0407365E	VOLKSWAGEN	1573, 1605- 1607, 1610- 1611, 1613, 1616-1617, 1619, 1671- 1674, 1680- 1681, 1690- 1691, 1694
0493037	1J0407365D	AUDI	40				
0493037	1J0407365D	VOLKSWAGEN	1575				
0493214	4153300300 *	MERCEDES	839				
0493214	4153300300 *	RENAULT	1201				
0493214	8200586561 *	MERCEDES	839				
0493214	8200586561 *	RENAULT	1201				
0493287	51230-SNA-A02	HONDA	518	0494281	5Q0407365A	AUDI	34-35, 42-43, 46
0493287	51230-SNA-A03	HONDA	518	0494281	5Q0407365A	SEAT	1311-1312, 1338-1339, 1343-1344, 1347
0493318	43360-87501	DAIHATSU	331				
0493318	43380-87501	DAIHATSU	331				
0493319	43340-87501	DAIHATSU	331				
0493319	43340-87580	DAIHATSU	331	0494281	5Q0407365A	SKODA	1376-1377, 1380, 1391- 1392
0493320	43340-87581	DAIHATSU	331				
0493358	54530-21000	HYUNDAI	562	0494281	5Q0407365A	VOLKSWAGEN	1573, 1605- 1607, 1610- 1611, 1613, 1616-1617, 1619, 1671- 1674, 1680- 1681, 1690- 1691, 1694
0493358	54530-21100	HYUNDAI	562				
0493358	54530-21A00	HYUNDAI	562				
0493438	MB-109168	MITSUBISHI	886	0494338	43340-09010	TOYOTA	1467, 1522
0493493	MB-831037	MITSUBISHI	895, 907	0494338	43340-29175	LEXUS	704
0493493	MR-296269	MITSUBISHI	895, 907	0494338	43340-29175	TOYOTA	1467, 1522
0493567	40161-D0125	NISSAN	929	0494338	43340-29215	LEXUS	704
0493666	43340-19015	TOYOTA	1480	0494338	43340-29215	TOYOTA	1467, 1522
0493666	43340-19016	TOYOTA	1480	0494354	5352025	OPEL	1044
0494179	40161-9C500	NISSAN	985	0494354	5352025	VAUXHALL	1560
0494281	1K0407365B	AUDI	34-35, 42-43, 46	0494354	93174598	OPEL	1044
0494281	1K0407365B	SEAT	1311-1312, 1338-1339, 1343-1344, 1347	0494354	93174598	VAUXHALL	1560
0494281	1K0407365B	SKODA	1376-1377, 1380, 1391- 1392	0495172	8J0407365	AUDI	99
0494281	1K0407365B	VOLKSWAGEN	1573, 1605- 1607, 1610- 1611, 1613, 1616-1617, 1619, 1671- 1674, 1680- 1681, 1690- 1691, 1694	0495341	5U0407365A	AUDI	31-32
0494281	1K0407365C	AUDI	34-35, 42-43, 46	0495341	5U0407365A	SEAT	1333, 1335- 1336, 1352
0494281	1K0407365C	SEAT	1311-1312, 1338-1339, 1343-1344, 1347	0495341	5U0407365A	SKODA	1358, 1362, 1364, 1366, 1383, 1386
0494281	1K0407365C	SKODA	1376-1377, 1380, 1391- 1392	0495341	5U0407365A	VOLKSWAGEN	1667, 1669, 1707
0494281	1K0407365C	VOLKSWAGEN	1573, 1605- 1607, 1610- 1611, 1613, 1616-1617, 1619, 1671- 1674, 1680- 1681, 1690- 1691, 1694	0495341	6R0407365	AUDI	31-32
0494281	1K0407365E	AUDI	34-35, 42-43, 46	0495341	6R0407365	SEAT	1333, 1335- 1336, 1352
0494281	1K0407365E	SEAT	1311-1312, 1338-1339, 1343-1344, 1347	0495341	6R0407365	SKODA	1358, 1362, 1364, 1366, 1383, 1386
0494281	1K0407365E	SKODA	1376-1377, 1380, 1391- 1392	0495341	6R0407365	VOLKSWAGEN	1667, 1669, 1707
0494281	1K0407365E	VOLKSWAGEN	1573, 1605- 1607, 1610- 1611, 1613, 1616-1617, 1619, 1671- 1674, 1680- 1681, 1690- 1691, 1694	0495341	6R0407365A	AUDI	31-32
0494281	1K0407365E	AUDI	34-35, 42-43, 46	0495341	6R0407365A	SEAT	1333, 1335- 1336, 1352
0494281	1K0407365E	SEAT	1311-1312, 1338-1339, 1343-1344, 1347	0495341	6R0407365A	SKODA	1358, 1362, 1364, 1366, 1383, 1386
0494281	1K0407365E	SKODA	1376-1377, 1380, 1391- 1392	0495341	6R0407365A	VOLKSWAGEN	1667, 1669, 1707
				0495497	43340-39505	LEXUS	702
				0496494	1502087 *	FORD	460-461
				0496494	1723324 *	FORD	460-461
				0496494	1781660 *	FORD	460-461
				0496494	1793237 *	FORD	460-461
				0498069	1702983 *	FORD	449, 486
				0498069	1709466 *	FORD	449, 486
				0498069	1709468 *	FORD	449, 486

RIF. OCAP OCAP REF.	RIF. ORIG. O.E. NUMBER	MARCA MAKE	PAG.	RIF. OCAP OCAP REF.	RIF. ORIG. O.E. NUMBER	MARCA MAKE	PAG.
0498069	1742266 *	FORD	449, 486	0500239	1683200389	MERCEDES	755
0498506	377407365B	VOLKSWAGEN	1590	0500239	1683200589	MERCEDES	755
0498671	43340-09040	LEXUS	698	0500239	1683200789	MERCEDES	755
0498671	43340-09100	LEXUS	698	0500239	1683201089	MERCEDES	755
0498671	43340-39545	LEXUS	698	0500251	32211129017	BMW	159
0498671	43340-39605	LEXUS	698	0500256	32211103077	BMW	129
0499261	604153	ROVER GROUP	1276	0500256	32211107076	BMW	129
0499282	43340-59065	LEXUS	700	0500262	32111115241	BMW	137
0499282	43340-59066	LEXUS	700	0500265	32211108081	BMW	158
0499282	43340-59135	LEXUS	700	0500265	32211115545	BMW	158
0499285	43340-39345	LEXUS	699	0500265	32211118838	BMW	158
0499285	43340-39415	LEXUS	699	0500267	32211105431	BMW	158
0500020	4105084	FIAT	419	0500267	32211105432	BMW	158
0500022	4101815	FIAT	414	0500267	32211108080	BMW	158
0500023	4134516	FIAT	403	0500267	32211124475	BMW	158
0500065	31121127194	BMW	141, 143, 160, 163, 187, 196	0500269	32211124232	BMW	159
0500065	31351124380	BMW	141, 143, 160, 163, 187, 196	0500269	32211124906	BMW	159
0500065	31351127194	BMW	141, 143, 160, 163, 187, 196	0500269	32211127136	BMW	159
0500065	31351128050	BMW	141, 143, 160, 163, 187, 196	0500269	32211127272	BMW	159
0500065	31351130075	BMW	141, 143, 160, 163, 187, 196	0500269	32211129014	BMW	159
0500065	31351134582	BMW	141, 143, 160, 163, 187, 196	0500273	32211124231	BMW	159, 161, 186, 196
0500086	6051901	FORD	488	0500273	32211129020	BMW	159, 161, 186, 196
0500086	6148432	FORD	488	0500273	32211135666	BMW	159, 161, 186, 196
0500087	6051905	FORD	488	0500275	32211117211	BMW	184
0500094	32211126476	BMW	160, 163, 185, 187	0500275	32211118883	BMW	184
0500094	33321123463	BMW	160, 163, 185, 187	0500275	32211128365	BMW	184
0500094	33321125665	BMW	160, 163, 185, 187	0500318	508733	PEUGEOT	1091
0500094	33321126476	BMW	160, 163, 185, 187	0500332	4109610	FIAT	409, 411
0500110	322139	OPEL	1053	0500332	4168857	FIAT	409, 411
0500110	322139	VAUXHALL	1548	0500377	33551124375	BMW	141, 144, 160, 185
0500110	322140	OPEL	1053	0500377	33551126932	BMW	141, 144, 160, 185
0500110	322140	VAUXHALL	1548	0500394	6960036	FORD	423, 465, 467
0500110	322148	OPEL	1053	0500426	8-94237-366-1	ISUZU	583, 585
0500110	322148	VAUXHALL	1548	0500454	92834703101	PORSCHE	1166
0500110	322148	VAUXHALL	1548	0500454	92834703107	PORSCHE	1166
0500110	90392553	VAUXHALL	1548	0500458	8-94389-210-0	ISUZU	581
0500111	322136	OPEL	1053	0500460	31351701066	BMW	141
0500111	322136	VAUXHALL	1548	0500461	1234601205	MERCEDES	752
0500111	322145	OPEL	1053	0500461	1234601605	MERCEDES	752
0500111	322145	VAUXHALL	1548	0500467	30873100	VOLVO	1718
0500111	90369125	VAUXHALL	1548	0500467	30884358	VOLVO	1718
0500114	350604	OPEL	1054	0500482	30620785	VOLVO	1719
0500114	350605	OPEL	1054	0500482	30818091	VOLVO	1719
0500114	350605	VAUXHALL	1549	0500482	30818092	VOLVO	1719
0500114	90288270	VAUXHALL	1549	0500488	508745	CITROEN	257-258, 260, 267
0500114	90334075	VAUXHALL	1549	0500488	508745	PEUGEOT	1086, 1099, 1103-1104
0500116	1B6363	ROVER GROUP	1275	0500488	508759	CITROEN	257-258, 260, 267
0500152	5087-23	CITROEN	302	0500488	508759	PEUGEOT	1086, 1099, 1103-1104
0500152	508723	CITROEN	302	0500488	508766	CITROEN	257-258, 260, 267
0500152	5087-23	PEUGEOT	1096, 1126	0500488	508766	PEUGEOT	1086, 1099, 1103-1104
0500152	5087-32	CITROEN	302	0500488	508771	CITROEN	257-258, 260, 267
0500152	508732	PEUGEOT	1096, 1126	0500488	508771	PEUGEOT	1086, 1099, 1103-1104
0500164	48510-01W00	NISSAN	963	0500488	508774	CITROEN	257-258, 260, 267
0500164	48630-01W00	NISSAN	963	0500488	508774	PEUGEOT	1086, 1099, 1103-1104
0500188	1233300703	MERCEDES	752	0500488	508774	CITROEN	257-258, 260, 267
0500235	281415801	VOLKSWAGEN	1621				
0500235	281415801D	VOLKSWAGEN	1621				

RIF. OCAP OCAP REF.	RIF. ORIG. O.E. NUMBER	MARCA MAKE	PAG.	RIF. OCAP OCAP REF.	RIF. ORIG. O.E. NUMBER	MARCA MAKE	PAG.
			267				829, 835
0500488	508774	PEUGEOT	1086, 1099, 1103-1104	0500721	2103500653	MERCEDES	764, 766, 780, 784, 787, 790, 829, 835
0500488	9628878780	CITROEN	257-258, 260, 267	0500721	2103500953	MERCEDES	764, 766, 780, 784, 787, 790, 829, 835
0500488	9628878780	PEUGEOT	1086, 1099, 1103-1104	0500721	2103501853	MERCEDES	764, 766, 780, 784, 787, 790, 829, 835
0500488	9808868280	CITROEN	257-258, 260, 267	0500721	2103502153	MERCEDES	764, 766, 780, 784, 787, 790, 829, 835
0500488	9808868280	PEUGEOT	1086, 1099, 1103-1104	0500721	2103502753	MERCEDES	764, 766, 780, 784, 787, 790, 829, 835
0500510	5413937	CITROEN	281	0500721-K	2103501853 *	MERCEDES	763, 766, 780, 784, 829, 835
0500510	5413937	FIAT	412	0500721-K	2103502153 *	MERCEDES	787, 790
0500511	5413938	CITROEN	281	0500722	1264600605	MERCEDES	816
0500511	5413938	FIAT	412	0500722	1264600805	MERCEDES	816
0500514	1378711	FIAT	344	0500730	3094600305	MERCEDES	854
0500514	1379711	FIAT	344	0500730	3094602905	MERCEDES	854
0500535	68421606100	AUDI	104	0500730	3094603005	MERCEDES	854
0500540	321419801B	AUDI	105	0500730	3094603105	MERCEDES	854
0500540	321419801B	VOLKSWAGEN	1632	0500730	3094603205	MERCEDES	854
0500540	321419801E	AUDI	105	0500730	6014600005	MERCEDES	854
0500540	321419801E	VOLKSWAGEN	1632	0500730	6014600105	MERCEDES	854
0500540	823419801D	AUDI	105	0500730	6014600205	MERCEDES	854
0500540	823419801D	VOLKSWAGEN	1632	0500730	6014600305	MERCEDES	854
0500540	823419801F	AUDI	105	0500776	322064	OPEL	1059
0500540	823419801F	VOLKSWAGEN	1632	0500782	322074	OPEL	1060
0500540	823419802C	AUDI	105	0500782	322074	VAUXHALL	1547
0500540	823419802C	VOLKSWAGEN	1632	0500782	322129	OPEL	1060
0500639	3812C0 *	CITROEN	247, 249, 251, 307, 309, 311, 313	0500782	322129	VAUXHALL	1547
0500639	3812C0 *	PEUGEOT	1080, 1083	0500782	90188426	VAUXHALL	1547
0500639	3812C6 *	CITROEN	247, 249, 251, 307, 309, 311, 313	0500785	322075	OPEL	1060
0500639	3812C6 *	PEUGEOT	1080, 1083	0500785	322075	VAUXHALL	1547
0500639	3812E4 *	CITROEN	247, 249, 251, 307, 309, 311, 313	0500785	322130	OPEL	1060
0500639	3812E4 *	PEUGEOT	1080, 1083	0500785	322130	VAUXHALL	1547
0500639	96048214 *	CITROEN	247, 249, 251, 307, 309, 311, 313	0500785	90188425	VAUXHALL	1547
0500639	96048214 *	PEUGEOT	1080, 1083	0500846	0002508400	TALBOT	1450
0500646	72MU3304A	FORD	421	0500846	25084B	TALBOT	1450
0500646	81EU3304B	FORD	421	0500877	113415303	VOLKSWAGEN	1711-1712
0500646	BE1E3304B	FORD	421	0500877	113415303A	VOLKSWAGEN	1711-1712
0500646	RD3M3304A	FORD	421	0500881	211415802F	VOLKSWAGEN	1699
0500671	1233200989	MERCEDES	754, 817	0500891	281415802	VOLKSWAGEN	1621, 1623
0500710	2101-3003011	LADA	649	0500891	281415802A	VOLKSWAGEN	1621, 1623
0500710	21013003011	LADA	649	0500892	281415303	VOLKSWAGEN	1621, 1623
0500711	1164600905	MERCEDES	752, 814	0500892	281415303B	VOLKSWAGEN	1621, 1623
0500711	1234600605	MERCEDES	752, 814	0500923	7701464313	RENAULT	1191
0500711	1234600905	MERCEDES	752, 814	0500923	7701469229	RENAULT	1191
0500711	1234601505	MERCEDES	752, 814	0500994	48510-11A27	NISSAN	928, 979, 990
0500716	1153201589	MERCEDES	751, 754, 815, 827	0500994	48510-35A26	NISSAN	928, 979, 990
0500719	2014601405	MERCEDES	761	0500994	48510-35A27	NISSAN	928, 979, 990
0500719	2014601505	MERCEDES	761	0500994	48510-70A25	NISSAN	928, 979, 990
0500721	1243500153	MERCEDES	764, 766, 780, 784, 787, 790, 829, 835	0500994	48510-70A27	NISSAN	928, 979, 990
0500721	2013501953	MERCEDES	764, 766, 780, 784, 787, 790, 829, 835	0500994	48510-70A27	NISSAN	928, 979, 990
0500721	2013503253	MERCEDES	764, 766, 780, 784, 787, 790,	0500994	48510-D0100	NISSAN	928, 979, 990
				0500994	48510-D0125	NISSAN	928, 979, 990
				0500997	31351091764	BMW	141, 143, 211, 213
				0500997	31351127689	BMW	141, 143, 211, 213
				0500997	31351128737	BMW	141, 143, 211, 213
				0501000	95494820	CITROEN	254

RIF. OCAP OCAP REF.	RIF. ORIG. O.E. NUMBER	MARCA MAKE	PAG.	RIF. OCAP OCAP REF.	RIF. ORIG. O.E. NUMBER	MARCA MAKE	PAG.
0501000	95494821	CITROEN	254				1139
0501000	95597955	CITROEN	254	0501123	381265 *	CITROEN	277, 294, 300, 302
0501016	82490743	LANCIA	663				
0501024	333551095532	BMW	165, 167	0501123	381265 *	PEUGEOT	1095, 1106- 1107, 1125, 1139
0501024	33551092292	BMW	165, 167				
0501027	32211091913	BMW	188	0501123	95492625 *	CITROEN	277, 294, 300, 302
0501027	32211093433	BMW	188				
0501027	32211096057	BMW	188	0501123	95492625 *	PEUGEOT	1095, 1106- 1107, 1125, 1139
0501028	32211091914	BMW	188				
0501028	32211093434	BMW	188	0501123	95493610 *	CITROEN	277, 294, 300, 302
0501028	32211096058	BMW	188				
0501029	32211091917	BMW	188	0501123	95493610 *	PEUGEOT	1095, 1106- 1107, 1125, 1139
0501030	32211091918	BMW	188				
0501034	33321090745	BMW	165, 167, 189	0501123	95533180 *	CITROEN	277, 294, 300, 302
0501034	33321097264	BMW	165, 167, 189				
0501034	33326768791	BMW	165, 167, 189	0501123	95533180 *	PEUGEOT	1095, 1106- 1107, 1125, 1139
0501035	31351091496	BMW	189				
0501035	31351095695	BMW	189	0501123	95560858 *	CITROEN	277, 294, 300, 302
0501036	33551091497	BMW	190				
0501036	33551095696	BMW	190	0501123	95560858 *	PEUGEOT	1095, 1106- 1107, 1125, 1139
0501046	387000126	MASERATI	707				
0501100	535411315	SEAT	1356	0501123-K	381232	PEUGEOT	1095, 1106- 1107
0501100	535411315	VOLKSWAGEN	1600	0501123-K	381252	PEUGEOT	1095, 1106- 1107
0501103	381209	PEUGEOT	1107				
0501104	381330	PEUGEOT	1079	0501123-K	95492625	PEUGEOT	1095, 1106- 1107
0501107	32211103076	BMW	129				
0501107	32212775000	BMW	129	0501123-K	95493610	PEUGEOT	1095, 1106- 1107
0501107	32212775002	BMW	129				
0501108	32111115229	BMW	137	0501123-K	95533180	PEUGEOT	1095, 1106- 1107
0501112	9790002680 *	CITROEN	279				
0501112	9790002680 *	FIAT	357	0501123-K	95560858	PEUGEOT	1095, 1106- 1107
0501112	9790002680 *	PEUGEOT	1077				
0501114	310220034	MASERATI	706	0501128	381217	PEUGEOT	1138
0501115	2013051503	MERCEDES	761	0501128	381221	PEUGEOT	1138
0501115	2013300703	MERCEDES	761	0501177	508742	PEUGEOT	1118
0501115	2013301503	MERCEDES	761	0501189	7701461010	RENAULT	1224, 1227
0501116	2013301203	MERCEDES	761	0501190	7701461140	RENAULT	1233
0501116	2013301603	MERCEDES	761	0501192	7701461344	RENAULT	1238
0501119	1233300403	MERCEDES	752	0501192	7701462708	RENAULT	1238
0501119	1233301503	MERCEDES	752	0501194	7701461824	RENAULT	1247
0501119	1233301803	MERCEDES	752	0501200	171419804	VOLKSWAGEN	1591
0501120	1073300203	MERCEDES	814, 816, 827	0501200	171419804A	VOLKSWAGEN	1591
0501120	1263300303	MERCEDES	814, 816, 827	0501200	175419804	VOLKSWAGEN	1591
0501120	1263300403	MERCEDES	814, 816, 827	0501201	133415801	VOLKSWAGEN	1711-1712
0501120	1263300503	MERCEDES	814, 816, 827	0501204	281415701E	VOLKSWAGEN	1621
0501120	1263300603	MERCEDES	814, 816, 827	0501210	7701462540	RENAULT	1178, 1229
0501122	381215 *	CITROEN	299	0501211	7701460875	RENAULT	1236, 1245
0501122	381215 *	PEUGEOT	1088, 1138	0501211	7701462877	RENAULT	1236, 1245
0501122	381215 *	TALBOT	1446, 1449	0501214	7700805494	RENAULT	1179, 1192, 1203, 1253
0501122	75492433	CITROEN	299				
0501122	75492433	PEUGEOT	1088, 1138	0501220	7701461923	RENAULT	1190, 1238, 1248
0501122	75492433	TALBOT	1446, 1449				
0501122	95493210	CITROEN	299	0501220	7701463025	RENAULT	1190, 1238, 1248
0501122	95493210	PEUGEOT	1088, 1138				
0501122	95493210	TALBOT	1446, 1449	0501221	48510-Q0125	NISSAN	931-932, 942
0501122-K	381215	PEUGEOT	1088, 1138	0501221	48510-S0125	NISSAN	931-932, 942
0501122-K	381215	TALBOT	1446, 1449	0501221	48630-S0125	NISSAN	931-932, 942
0501123	381232 *	CITROEN	277, 294, 300, 302	0501234	155422803	VOLKSWAGEN	1591
				0501234	175422803	VOLKSWAGEN	1591
0501123	381232 *	PEUGEOT	1095, 1106- 1107, 1125, 1139	0501234	175422803A	VOLKSWAGEN	1591
				0501302	32211117212	BMW	184
0501123	381252 *	CITROEN	277, 294, 300, 302				
0501123	381252 *	PEUGEOT	1095, 1106- 1107, 1125,				

RIF. OCAP OCAP REF.	RIF. ORIG. O.E. NUMBER	MARCA MAKE	PAG.	RIF. OCAP OCAP REF.	RIF. ORIG. O.E. NUMBER	MARCA MAKE	PAG.
0501321	7784388	LANCIA	663				1384, 1387
0501327	46413122	FIAT	369-370	0501390	31356780847	VOLKSWAGEN	1588, 1668, 1670, 1672, 1708
0501327	46413122	LANCIA	653, 664	0501390	6Q0411315A	AUDI	32, 35, 38
0501327	46545743	FIAT	369-370	0501390	6Q0411315A	BMW	146, 148, 215
0501327	46545743	LANCIA	653, 664	0501390	6Q0411315A	SEAT	1312, 1334, 1337, 1339, 1353
0501327	51701045	FIAT	369-370	0501390	6Q0411315A	SKODA	1359, 1363, 1365-1366, 1384, 1387
0501327	51701045	LANCIA	653, 664	0501390	6Q0411315A	VOLKSWAGEN	1588, 1668, 1670, 1672, 1708
0501329	1004018	FORD	431, 437, 439, 458, 473, 482	0501390	6Q0411315B	AUDI	32, 35, 38
0501329	1004018	MAZDA	709	0501390	6Q0411315B	BMW	146, 148, 215
0501329	1061631	FORD	431, 437, 439, 458, 473, 482	0501390	6Q0411315B	SEAT	1312, 1334, 1337, 1339, 1353
0501329	1061631	MAZDA	709	0501390	6Q0411315B	SKODA	1359, 1363, 1365-1366, 1384, 1387
0501329	1067818	FORD	431, 437, 439, 458, 473, 482	0501390	6Q0411315B	VOLKSWAGEN	1588, 1668, 1670, 1672, 1708
0501329	1067818	MAZDA	709	0501390	6Q0411315C	AUDI	32, 35, 38
0501329	1071336	FORD	431, 437, 439, 458, 473, 482	0501390	6Q0411315C	BMW	146, 148, 215
0501329	1071336	MAZDA	709	0501390	6Q0411315C	SEAT	1312, 1334, 1337, 1339, 1353
0501329	1130273	FORD	431, 437, 439, 458, 473, 482	0501390	6Q0411315C	SKODA	1359, 1363, 1365-1366, 1384, 1387
0501329	1130273	MAZDA	709	0501390	6Q0411315C	VOLKSWAGEN	1588, 1668, 1670, 1672, 1708
0501329	1661237	FORD	431, 437, 439, 458, 473, 482	0501390	6Q0411315C	AUDI	32, 35, 38
0501329	1661237	MAZDA	709	0501390	6Q0411315C	BMW	146, 148, 215
0501329	1E00-34-170	FORD	431	0501390	6Q0411315C	SEAT	1312, 1334, 1337, 1339, 1353
0501329	1E00-34-170	MAZDA	709	0501390	6Q0411315C	SKODA	1359, 1363, 1365-1366, 1384, 1387
0501341	82404618	FIAT	350	0501390	6Q0411315C	VOLKSWAGEN	1588, 1668, 1670, 1672, 1708
0501347	6014300535	MERCEDES	854	0501390	6Q0411315D	AUDI	32, 35, 38
0501353	60630757	ALFA ROMEO	17	0501390	6Q0411315D	BMW	146, 148, 215
0501358	60628302	ALFA ROMEO	17	0501390	6Q0411315D	SEAT	1312, 1334, 1337, 1339, 1353
0501376	42420-59J00	ALFA ROMEO	27	0501390	6Q0411315D	SKODA	1359, 1363, 1365-1366, 1384, 1387
0501376	42420-59J00	FIAT	390	0501390	6Q0411315D	VOLKSWAGEN	1588, 1668, 1670, 1672, 1708
0501376	42420-59J00	SUZUKI	1432, 1437- 1438	0501390	6Q0411315F	AUDI	32, 35, 38
0501376	42420-80J00	ALFA ROMEO	27	0501390	6Q0411315F	BMW	146, 148, 215
0501376	42420-80J00	FIAT	390	0501390	6Q0411315F	SEAT	1312, 1334, 1337, 1339, 1353
0501376	42420-80J00	SUZUKI	1432, 1437- 1438	0501390	6Q0411315F	SKODA	1359, 1363, 1365-1366, 1384, 1387
0501376	60614514	ALFA ROMEO	27	0501390	6Q0411315F	VOLKSWAGEN	1588, 1668, 1670, 1672, 1708
0501376	60614514	FIAT	390	0501390	6Q0411315G	AUDI	32, 35, 38
0501376	60614514	SUZUKI	1432, 1437- 1438	0501390	6Q0411315G	BMW	146, 148, 215
0501376	71742688	ALFA ROMEO	27	0501390	6Q0411315G	SEAT	1312, 1334, 1337, 1339, 1353
0501376	71742688	FIAT	390	0501390	6Q0411315G	SKODA	1359, 1363, 1365-1366, 1384, 1387
0501376	71742688	SUZUKI	1432, 1437- 1438	0501390	6Q0411315G	VOLKSWAGEN	1588, 1668, 1670, 1672, 1708
0501377	60616341	ALFA ROMEO	27	0501390	31351095694	AUDI	32, 35, 38
0501377	60627480	ALFA ROMEO	27	0501390	31351095694	BMW	146, 148, 215
0501390	31351095694	AUDI	32, 35, 38	0501390	31351095694	SEAT	1312, 1334, 1337, 1339, 1353
0501390	31351095694	BMW	146, 148, 215	0501390	31351095694	SKODA	1359, 1363, 1365-1366, 1384, 1387
0501390	31351095694	SEAT	1312, 1334, 1337, 1339, 1353	0501390	31351095694	VOLKSWAGEN	1588, 1668, 1670, 1672, 1708
0501390	31351095694	SKODA	1359, 1363, 1365-1366, 1384, 1387	0501390	31351095694	AUDI	32, 35, 38
0501390	31351095694	VOLKSWAGEN	1588, 1668, 1670, 1672, 1708	0501390	31356780847	BMW	146, 148, 215
0501390	31356780847	AUDI	32, 35, 38	0501390	31356780847	SEAT	1312, 1334, 1337, 1339, 1353
0501390	31356780847	BMW	146, 148, 215	0501390	31356780847	SKODA	1359, 1363, 1365-1366, 1384, 1387
0501390	31356780847	SEAT	1312, 1334, 1337, 1339, 1353	0501390	31356780847	VOLKSWAGEN	1588, 1668, 1670, 1672, 1708
0501390	31356780847	SKODA	1359, 1363, 1365-1366,				

RIF. OCAP OCAP REF.	RIF. ORIG. O.E. NUMBER	MARCA MAKE	PAG.	RIF. OCAP OCAP REF.	RIF. ORIG. O.E. NUMBER	MARCA MAKE	PAG.
			1708	0501489	QHG100000	LAND ROVER	678
0501390	6Q0411315H	AUDI	32, 35, 38	0501490	RBM100223	LAND ROVER	679
0501390	6Q0411315H	BMW	146, 148, 215	0501491	RGD100682	LAND ROVER	679
0501390	6Q0411315H	SEAT	1312, 1334, 1337, 1339, 1353	0501496	4419304	NISSAN	956
0501390	6Q0411315H	SKODA	1359, 1363, 1365-1366, 1384, 1387	0501496	4419304	OPEL	1052
0501390	6Q0411315H	VOLKSWAGEN	1588, 1668, 1670, 1672, 1708	0501496	551100019R	RENAULT	1212
0501390	6Q0411315J	AUDI	32, 35, 38	0501496	56261-00Q0B	NISSAN	956
0501390	6Q0411315J	BMW	146, 148, 215	0501496	93197332	NISSAN	956
0501390	6Q0411315J	SEAT	1312, 1334, 1337, 1339, 1353	0501496	93197332	OPEL	1052
0501390	6Q0411315J	SKODA	1359, 1363, 1365-1366, 1384, 1387	0501499	6673300503	MERCEDES	852
0501390	6Q0411315J	VOLKSWAGEN	1588, 1668, 1670, 1672, 1708	0501499	6673300603	MERCEDES	852
0501390	6R0411315	AUDI	32, 35, 38	0501501	251419803	VOLKSWAGEN	1700
0501390	6R0411315	BMW	146, 148, 215	0501501	251419803A	VOLKSWAGEN	1700
0501390	6R0411315	SEAT	1312, 1334, 1337, 1339, 1353	0501503	2D0422803	VOLKSWAGEN	1624
0501390	6R0411315	SKODA	1359, 1363, 1365-1366, 1384, 1387	0501503	9014600205	MERCEDES	840
0501390	6R0411315	VOLKSWAGEN	1588, 1668, 1670, 1672, 1708	0501519	33321096797	BMW	165, 167, 170, 180, 192
0501391	33551094619	BMW	147	0501519	33326774795	BMW	165, 167, 170, 180, 192
0501393	32211091720	BMW	166	0501519	33326777424	BMW	165, 167, 170, 180, 192
0501393	32211096059	BMW	166	0501535	1219697	FORD	468
0501394	32211091721	BMW	166	0501535	C2S39552	JAGUAR	596
0501394	32211096060	BMW	166	0501536	4419291	NISSAN	955
0501416	322166	OPEL	1055	0501536	4419291	OPEL	1051
0501416	322166	VAUXHALL	1563	0501536	54616-00Q0E	NISSAN	955
0501417	322167	OPEL	1055	0501536	546180004R	RENAULT	1212
0501417	322167	VAUXHALL	1563	0501536	93197325	NISSAN	955
0501421	350600	OPEL	1056	0501536	93197325	OPEL	1051
0501421	350600	VAUXHALL	1564	0501548	508734	CITROEN	248, 250-251, 308, 310-311, 315
0501421	350609	OPEL	1056	0501548	508734	PEUGEOT	1082, 1084, 1115
0501421	350609	VAUXHALL	1564	0501548	508739	CITROEN	248, 250-251, 308, 310-311, 315
0501426	46462049	LANCIA	663	0501548	508739	PEUGEOT	1082, 1084, 1115
0501443	701411049	VOLKSWAGEN	1702, 1704	0501548	508746	CITROEN	248, 250-251, 308, 310-311, 315
0501443	7D0411049	VOLKSWAGEN	1702, 1704	0501548	508746	PEUGEOT	1082, 1084, 1115
0501453	1J0411315H	SEAT	1342	0501548	508761	CITROEN	248, 250-251, 308, 310-311, 315
0501453	1J0411315H	VOLKSWAGEN	1576, 1603, 1630	0501548	508761	PEUGEOT	1082, 1084, 1115
0501453	1J0411315K	SEAT	1342	0501553	508740	CITROEN	298, 304
0501453	1J0411315K	VOLKSWAGEN	1576, 1603, 1630	0501553	508740	PEUGEOT	1091, 1133
0501455	46767267	FIAT	355	0501553	96177836	CITROEN	298, 304
0501455	51717001	FIAT	355	0501553	96177836	PEUGEOT	1091, 1133
0501465	46799278	FIAT	355	0501554	517838	PEUGEOT	1133
0501471	111802906050	LADA	645, 647	0501555	508731	CITROEN	306
0501471	1118-2906050	LADA	645, 647	0501555	508731	PEUGEOT	1145, 1147
0501476	1683201189	MERCEDES	755	0501555	508741	CITROEN	306
0501479	517839	PEUGEOT	1133	0501555	508741	PEUGEOT	1145, 1147
0501487	TIQ000010	LAND ROVER	678	0501563	52320-S30-003	HONDA	535
0501488	QHG000050	LAND ROVER	678	0501574	54830-29000	HYUNDAI	560
0501488	QHG100010	LAND ROVER	678	0501574	54830-29500	HYUNDAI	560
0501489	QHG000040	LAND ROVER	678	0501575	55530-29000	HYUNDAI	542, 544, 560
				0501575	55530-29500	HYUNDAI	542, 544, 560
				0501576	54830-34000	HYUNDAI	544, 567
				0501576	54830-34500	HYUNDAI	544, 567
				0501576	54830-36010	HYUNDAI	544, 567
				0501576	54850-36010	HYUNDAI	544, 567

RIF. OCAP OCAP REF.	RIF. ORIG. O.E. NUMBER	MARCA MAKE	PAG.	RIF. OCAP OCAP REF.	RIF. ORIG. O.E. NUMBER	MARCA MAKE	PAG.
0501577	55580-37020	HYUNDAI	566-567	0501690	350610	VAUXHALL	1557, 1560
0501577	55580-37020	MITSUBISHI	883, 913	0501690	4686606	SAAB	1302
0501577	55580-37030	HYUNDAI	566-567	0501690	90496116	VAUXHALL	1557
0501577	55580-37030	MITSUBISHI	883, 913	0501699	1294600405	MERCEDES	828
0501577	MR-131732	HYUNDAI	566-567	0501719	6792899	FORD	490
0501577	MR-131732	MITSUBISHI	883, 913	0501720	6172645	FORD	490
0501578	55530-38000	HYUNDAI	569	0501721	6202402	FORD	490
0501578	55530-38010	HYUNDAI	569	0501721	6567692	FORD	490
0501582	OK0A3-28-170A	KIA	622	0501721	6589459	FORD	490
0501582	OK0A3-28-170A	MAZDA	729	0501734	1264600705	MERCEDES	816
0501582	K9A3-28-170A	KIA	622	0501734	1264600905	MERCEDES	816
0501582	K9A3-28-170A	MAZDA	729	0501738	1403501853	MERCEDES	820
0501583	OK2A1-34-150A	KIA	615, 635-636	0501738	1403502453	MERCEDES	820
0501583	OK2A1-34-150B	KIA	615, 635-636	0501738-K	1403502453 *	MERCEDES	820
0501587	GJ6A-28-170A	MAZDA	721	0501740	1403503406	MERCEDES	820
0501588	B26R-28-170	MAZDA	720, 743	0501741	1403503606	MERCEDES	820
0501594	LC70-34-170	MAZDA	736	0501742	1403503506	MERCEDES	820
0501595	LC62-34-170	MAZDA	720, 736, 743	0501743	1403200889	MERCEDES	820
0501595	LC62-34-170A	MAZDA	720, 736, 743	0501743	1403203589	MERCEDES	820
0501595	LC62-34-170B	MAZDA	720, 736, 743	0501744	13169439	OPEL	1019, 1021, 1069
0501618	94434703301	PORSCHE	1165, 1167	0501744	13169439	VAUXHALL	1543, 1545
0501642	96145457	CITROEN	304	0501744	350614	OPEL	1019, 1021, 1069
0501649	6158242	FORD	492	0501744	350614	VAUXHALL	1543, 1545
0501654	322141	OPEL	1053	0501744	90498745	OPEL	1019, 1021, 1069
0501654	322141	VAUXHALL	1548	0501744	90498745	VAUXHALL	1543, 1545
0501654	90295626	VAUXHALL	1548	0501744	90498745	MITSUBISHI	882-883
0501661	322131	OPEL	1060	0501767	4056A014	HYUNDAI	563
0501661	322131	VAUXHALL	1547	0501767	4056A014	MITSUBISHI	873-874, 881-882, 912-913
0501661	90188423	VAUXHALL	1547	0501767	MB-518892	HYUNDAI	563
0501665	350602	OPEL	1060	0501767	MB-518892	MITSUBISHI	873-874, 881-882, 912-913
0501665	350602	VAUXHALL	1547	0501767	MB-573043	HYUNDAI	563
0501665	90236577	VAUXHALL	1547	0501767	MB-573043	MITSUBISHI	873-874, 881-882, 912-913
0501666	93034703101	PORSCHE	1159	0501767	MB-892982	HYUNDAI	563
0501668	477419803B	PORSCHE	1165	0501767	MB-892982	MITSUBISHI	873-874, 881-882, 912-913
0501669	94434703320	PORSCHE	1165, 1167	0501774	1117698	FORD	468
0501678	6589460	FORD	491	0501774	1117698	JAGUAR	596
0501681	1387860	ALFA ROMEO	28	0501774	1127646	FORD	468
0501681	1387860	FIAT	383	0501774	1127646	JAGUAR	596
0501681	1387860	OPEL	1033	0501774	1219698	FORD	468
0501681	1387860	VOLVO	1729, 1745	0501774	1219698	JAGUAR	596
0501681	30714686	ALFA ROMEO	28	0501774	1219698	FORD	468
0501681	30714686	FIAT	383	0501774	C2S3248	FORD	468
0501681	30714686	OPEL	1033	0501774	C2S3248	JAGUAR	596
0501681	30714686	VOLVO	1729, 1745	0501780	46545749	LANCIA	664
0501681	350616	ALFA ROMEO	28	0501781	48900-84C50	SUZUKI	1433
0501681	350616	FIAT	383	0501781	48900A83301	SUZUKI	1433
0501681	350616	OPEL	1033	0501782	48800-84C50	SUZUKI	1433
0501681	350616	VOLVO	1729, 1745	0501792	2033200489	MERCEDES	769
0501681	55700753	ALFA ROMEO	28	0501792	2033202589	MERCEDES	769
0501681	55700753	FIAT	383	0501792	2033202889	MERCEDES	769
0501681	55700753	OPEL	1033	0501812	RBM100240	ROVER GROUP	1293
0501681	55700753	VOLVO	1729, 1745	0501821	RBM100170	LAND ROVER	684
0501681	8628703	ALFA ROMEO	28	0501821	RBM100171	LAND ROVER	684
0501681	8628703	FIAT	383	0501843	5102V005000000	SMART	1399
0501681	8628703	OPEL	1033	0501844	1802V004000000	SMART	1399
0501681	8628703	VOLVO	1729, 1745	0501855	508750	CITROEN	262
0501681	9492804	ALFA ROMEO	28	0501855	508750	PEUGEOT	1120
0501681	9492804	FIAT	383	0501855	508762	CITROEN	262
0501681	9492804	OPEL	1033	0501855	508762	PEUGEOT	1120
0501681	9492804	VOLVO	1729, 1745	0501855	508777	CITROEN	262
0501690	0350610	OPEL	1032, 1044, 1062				
0501690	0350610	VAUXHALL	1557, 1560				
0501690	350610	OPEL	1032, 1044, 1062				

RIF. OCAP OCAP REF.	RIF. ORIG. O.E. NUMBER	MARCA MAKE	PAG.	RIF. OCAP OCAP REF.	RIF. ORIG. O.E. NUMBER	MARCA MAKE	PAG.
0501855	508777	PEUGEOT	1120	0501927	46630-60B01	SUZUKI	1425, 1430, 1432
0501855	96347856	CITROEN	262	0501927-K	46630-60B00 *	NISSAN	991
0501855	96347856	PEUGEOT	1120	0501927-K	46630-60B00 *	SUBARU	1415-1416
0501857	508743 *	CITROEN	271	0501927-K	46630-60B00 *	SUZUKI	1425, 1430
0501857	508743	CITROEN	304	0501927-K	46630-60B01 *	SUBARU	1415-1416
0501857	508743	PEUGEOT	1133, 1148	0501927-K	46630-60B01 *	SUZUKI	1425, 1430
0501857	508748	CITROEN	271, 304	0501931	20420-AA002	SUBARU	1411, 1418
0501857	508748	PEUGEOT	1133, 1148	0501931	20420-AA003	SUBARU	1411, 1418
0501860	508765	CITROEN	295	0501931	20420-AA004	SUBARU	1411, 1418
0501860	508765	FIAT	365, 368	0501939	51320-S30-003	HONDA	535
0501860	508765	PEUGEOT	1071	0501940	51320-S04-003	HONDA	514, 520
0501860	508770	CITROEN	295	0501974	0K2A5-34-150A	KIA	636
0501860	508770	FIAT	365, 368	0501974	0K2A5-34-150B	KIA	636
0501860	508770	PEUGEOT	1071	0501976	0K552-34-150B	KIA	617
0501860	508779	CITROEN	295	0501976	0K552-34-151B	KIA	617
0501860	508779	FIAT	365, 368	0501976	0K552-34-160B	KIA	617
0501860	508779	PEUGEOT	1071	0501992	0K011-32-260A	KIA	641
0501860	51704008	FIAT	365, 368	0501997	0K011-34-150A	KIA	641
0501860	51815479	FIAT	365, 368	0501997	0K011-34-160A	KIA	641
0501860	51815480	FIAT	365, 368	0501997	0K74P-34160	KIA	641
0501868	31351507989	MINI	857	0502000	7701463346	RENAULT	1260
0501869	33551507999	MINI	858	0502017	431419802G	AUDI	119
0501870	32216751277	BMW	205	0502018	431419801G	AUDI	119
0501878	33551096735	BMW	207	0502026	2024600405	MERCEDES	765, 779
0501881	1106269	FORD	423, 465, 467	0502046	4D0411317J	AUDI	51, 67
0501881	6960036	FORD	423, 465, 467	0502046	4D0411317J	VOLKSWAGEN	1642
0501889	4B0419801B	AUDI	49, 52, 66, 78, 80	0502084	4D0505465D	AUDI	79, 81
0501889	4B0419801B	SKODA	1388	0502085	4D0501529A	AUDI	79, 81
0501889	4B0419801B	VOLKSWAGEN	1641, 1644	0502085	4D0501529E	AUDI	79, 81
0501889	4B0419801E	AUDI	49, 52, 66, 78, 80	0502085	4D0501529F	AUDI	79, 81
0501889	4B0419801E	SKODA	1388	0502091	2121-3414011	LADA	646
0501889	4B0419801E	VOLKSWAGEN	1641, 1644	0502091	21213414011	LADA	646
0501889	4D0419801B	AUDI	49, 52, 66, 78, 80	0502092	857501499C	AUDI	86, 109
0501889	4D0419801B	SKODA	1388	0502096	895505389	AUDI	88, 114
0501889	4D0419801B	VOLKSWAGEN	1641, 1644	0502097	8A0407465C	AUDI	116
0501889	4D0419801E	AUDI	49, 52, 66, 78, 80	0502098	8A0501530B	AUDI	116
0501889	4D0419801E	SKODA	1388	0502098	8A0501530C	AUDI	116
0501889	4D0419801E	VOLKSWAGEN	1641, 1644	0502113	2033500353	MERCEDES	769, 837
0501889	4D0419801E	SKODA	1388	0502113-K	2033500753	MERCEDES	769, 837
0501889	4D0419801E	VOLKSWAGEN	1641, 1644	0502118	1J0505466B	AUDI	41, 98
0501889	8E0419801B	AUDI	49, 52, 66, 78, 80	0502118	1J0505466B	SKODA	1375
0501889	8E0419801B	SKODA	1388	0502118	1J0505466B	VOLKSWAGEN	1577, 1604
0501889	8E0419801B	VOLKSWAGEN	1641, 1644	0502119	1J0505466C	AUDI	41, 98
0501890	8E0419801E	AUDI	52, 55	0502119	1J0505466C	SKODA	1375
0501890	8E0419801E	SEAT	1321	0502119	1J0505466C	VOLKSWAGEN	1577, 1604
0501890	8E0419801N	AUDI	52, 55	0502150	1243507006	MERCEDES	764, 767, 769, 780, 785, 788, 790, 830, 835, 837
0501890	8E0419801N	SEAT	1321	0502150	1243507106	MERCEDES	764, 767, 769, 780, 785, 788, 790, 830, 835, 837
0501899	8E0505465AC	AUDI	54, 56	0502150	1243507606	MERCEDES	764, 767, 769, 780, 785, 788, 790, 830, 835, 837
0501899	8E0505465AC	SEAT	1322	0502150	1243507706	MERCEDES	764, 767, 769, 780, 785, 788, 790, 830, 835, 837
0501899	8E0505465AF	AUDI	54, 56	0502150	1293500406	MERCEDES	764, 767, 769, 780, 785, 788, 790, 830, 835, 837
0501899	8E0505465AF	SEAT	1322	0502150	1293500506	MERCEDES	764, 767, 769,
0501899	8E0505465K	AUDI	54, 56				
0501899	8E0505465K	SEAT	1322				
0501899	8E0505465T	AUDI	54, 56				
0501899	8E0505465T	SEAT	1322				
0501903	4D0411317K	AUDI	79, 81				
0501904	6384600205	MERCEDES	845				
0501927	46630-60B00	NISSAN	991				
0501927	46630-60B00	SUBARU	1415-1416				
0501927	46630-60B00	SUZUKI	1425, 1430, 1432				
0501927	46630-60B01	NISSAN	991				
0501927	46630-60B01	SUBARU	1415-1416				

RIF. OCAP OCAP REF.	RIF. ORIG. O.E. NUMBER	MARCA MAKE	PAG.	RIF. OCAP OCAP REF.	RIF. ORIG. O.E. NUMBER	MARCA MAKE	PAG.
			780, 785, 788, 790, 830, 835, 837	0502210	7701463195	RENAULT	1252
				0502210	7701464313	RENAULT	1252
0502150	2103501606	MERCEDES	764, 767, 769, 780, 785, 788, 790, 830, 835, 837	0502210	7701469229	RENAULT	1252
				0502230	7701463035	RENAULT	1265
				0502231	7701462987	RENAULT	1265
0502150	2103501706	MERCEDES	764, 767, 769, 780, 785, 788, 790, 830, 835, 837	0502239	1045413	FORD	479
				0502239	1217136	FORD	479
				0502239	7260111	FORD	479
0502150	2103502406	MERCEDES	764, 767, 769, 780, 785, 788, 790, 830, 835, 837	0502246	4603300703	MERCEDES	798
				0502247	4603300903	MERCEDES	798
				0502247	4603301703	MERCEDES	798
				0502247	4603301803	MERCEDES	798
				0502248	4633300303	MERCEDES	799
				0502248	4633300403	MERCEDES	799
0502150	2103502506	MERCEDES	764, 767, 769, 780, 785, 788, 790, 830, 835, 837	0502249	4603301903	MERCEDES	798
				0502249	4603302003	MERCEDES	798
				0502251	4633300503	MERCEDES	799
				0502251	4633300603	MERCEDES	799
0502150	2103503406	MERCEDES	764, 767, 769, 780, 785, 788, 790, 830, 835, 837	0502252	6083300303	MERCEDES	853
				0502253	6023300003	MERCEDES	853
				0502253	6023300103	MERCEDES	853
0502152	1243500129	MERCEDES	764, 767, 770, 780, 785, 788, 790, 830, 835, 837	0502253	6023300303	MERCEDES	853
				0502253	6023300403	MERCEDES	853
				0502254	6023300903	MERCEDES	853
				0502254	6023301003	MERCEDES	853
0502152	2103500029	MERCEDES	764, 767, 770, 780, 785, 788, 790, 830, 835, 837	0502254	6023305303	MERCEDES	853
				0502254	6023305403	MERCEDES	853
				0502255	5829067053	MERCEDES	853
0502152	2103503806	MERCEDES	764, 767, 770, 780, 785, 788, 790, 830, 835, 837	0502255	6083300403	MERCEDES	853
				0502256	6084600105	MERCEDES	853
				0502257	6014600505	MERCEDES	854
				0502257	6014600605	MERCEDES	854
0502153	2013504706	MERCEDES	764, 767, 770, 780, 785, 788, 830, 835, 837	0502257	6014600705	MERCEDES	854
				0502257	6014600805	MERCEDES	854
				0502257	6014600905	MERCEDES	854
0502153	2013505606	MERCEDES	764, 767, 770, 780, 785, 788, 830, 835, 837	0502257	6014601005	MERCEDES	854
				0502257	6014601105	MERCEDES	854
				0502257	6014601205	MERCEDES	854
0502153	2103503306	MERCEDES	764, 767, 770, 780, 785, 788, 830, 835, 837	0502257	6014601305	MERCEDES	854
				0502257	6014601505	MERCEDES	854
				0502258	6313300303	MERCEDES	855
0502155	508727	PEUGEOT	1129, 1131	0502259	6313300603	MERCEDES	855
0502156	2024600219	MERCEDES	765, 779	0502260	6313300703	MERCEDES	855
0502160	1074600205	MERCEDES	827	0502261	6314600705	MERCEDES	855
0502160	1074600505	MERCEDES	827	0502291	46630-60B11	SUZUKI	1434-1435
0502160	1074600605	MERCEDES	827	0502292	48820-06020	TOYOTA	1466
0502161	1073300103	MERCEDES	748-750, 827	0502292	48830-06020	TOYOTA	1466
0502161	1103300003	MERCEDES	748-750, 827	0502292	48830-33010	TOYOTA	1466
0502161	1153300703	MERCEDES	748-750, 827	0502294	48820-06040	LEXUS	704
0502161	1153300803	MERCEDES	748-750, 827	0502294	48820-06040	TOYOTA	1467, 1522
0502164	1104600205	MERCEDES	748-749	0502294	48820-28050	LEXUS	704
0502164	1104600405	MERCEDES	748-749	0502294	48820-28050	TOYOTA	1467, 1522
0502165	1094600205	MERCEDES	748-749	0502299	4F0505465N	AUDI	73
0502165	1094600305	MERCEDES	748-749	0502299	4F0505465Q	AUDI	73
0502166	0004600005	MERCEDES	750	0502300	4E0411317E	AUDI	73, 83
0502166	1144600205	MERCEDES	750	0502301	4E0419801D	AUDI	82
0502166	1144600305	MERCEDES	750	0502301	4E0419801D	VOLKSWAGEN	1654
0502166	1154601505	MERCEDES	750	0502309	4E0411317D	VOLKSWAGEN	1655
0502166	1154601605	MERCEDES	750	0502312	4543200010	MITSUBISHI	877
0502174	1244600905	MERCEDES	782	0502312	4543200010	SMART	1402
0502176	1404600805	MERCEDES	818	0502312	MR-961477	MITSUBISHI	877
0502177	1403300003	MERCEDES	818	0502312	MR-961477	SMART	1402
0502184	32211104015	BMW	128	0502330	4E0505465G	AUDI	83
0502187	60572860	ALFA ROMEO	18	0502330	4E0505465G	VOLKSWAGEN	1655
0502196	8D0501530	AUDI	51	0502347	1633200032	MERCEDES	805

RIF. OCAP OCAP REF.	RIF. ORIG. O.E. NUMBER	MARCA MAKE	PAG.	RIF. OCAP OCAP REF.	RIF. ORIG. O.E. NUMBER	MARCA MAKE	PAG.
0502349	8Z0411315B	AUDI	38	0502525	55530-2E000	KIA	642
0502349	8Z0411315C	AUDI	38	0502525	55530-2E100	HYUNDAI	575
0502351	96111480	CITROEN	315	0502525	55530-2E100	KIA	642
0502352	96052007	CITROEN	315	0502550	1377849	FORD	453, 470
0502359	7700437136	RENAULT	1200, 1255	0502550	1377849	VOLVO	1727, 1733
0502364	33506768493	BMW	170, 180	0502550	1433294	FORD	453, 470
0502364	33506781537	BMW	170, 180	0502550	30648641	VOLVO	1727, 1733
0502364	33556761492	BMW	170, 180	0502554	RGD000311	LAND ROVER	681, 694
0502368	9013200689	MERCEDES	841	0502554	RGD000312	LAND ROVER	681, 694
0502369	3530304	VOLVO	1744	0502557	LR019117	LAND ROVER	694
0502379	9013200589	MERCEDES	841	0502557	RGD500083	LAND ROVER	694
0502386	32106774336	BMW	205	0502557	RGD500190	LAND ROVER	694
0502386	32216760470	BMW	205	0502558	RBM500110	LAND ROVER	681
0502388	32216767861	BMW	168	0502558	RBM500180	LAND ROVER	681
0502396	MJA2105AF	JAGUAR	601	0502558	RBM500190	LAND ROVER	681
0502396	MJA2105AG	JAGUAR	601	0502562	52109973AB	JEEP	605
0502397	MNC2105AA	JAGUAR	601	0502562	52125453AA	JEEP	605
0502399	XR813478	JAGUAR	593	0502562	68029024AA	JEEP	605
0502399	XR81786	JAGUAR	593	0502562	68029024AB	JEEP	605
0502399	XR825750	JAGUAR	593	0502567	48817-0D010 *	TOYOTA	1536
0502406	291415701E	VOLKSWAGEN	1623	0502567	48819-52010 *	TOYOTA	1536
0502406	291415801C	VOLKSWAGEN	1623	0502567	90948-02178 *	TOYOTA	1536
0502406	292415702E	VOLKSWAGEN	1623	0502567	90948-02179 *	TOYOTA	1536
0502407	211415701G	VOLKSWAGEN	1699	0502567	94182-10800 *	TOYOTA	1536
0502408	211415801F	VOLKSWAGEN	1699	0502570	52088662AB	JEEP	604
0502410	211415802D	VOLKSWAGEN	1698	0502577	54618-0W000	NISSAN	957
0502411	211415801D	VOLKSWAGEN	1698	0502577	54618-0W001	NISSAN	957
0502447	4475005000	CHEVROLET - DAEWOO 225		0502577	54618-3W400	NISSAN	957
0502447	4475005000	SSANGYONG	1404-1405, 1407	0502578	56260-0W001	NISSAN	957
0502447	4475005001	CHEVROLET - DAEWOO 225		0502578	56260-41G11	NISSAN	957
0502447	4475005001	SSANGYONG	1404-1405, 1407	0502579	52089467AB	JEEP	609
0502448	48802-87703	DAIHATSU	328, 330	0502579-K	06502835 *	JEEP	609
0502453	546180001R	DACIA	317	0502579-K	06507771AA *	JEEP	609
0502453	546180001R	RENAULT	1206-1207	0502579-K	06508710AA *	JEEP	609
0502453	546189501R	DACIA	317	0502579-K	52089467AB *	JEEP	609
0502453	546189501R	RENAULT	1206-1207	0502580	52089486AC	JEEP	609
0502453	551103022R	DACIA	317	0502580-K	06101984 *	JEEP	609
0502453	8200814411	DACIA	317	0502580-K	06502835 *	JEEP	609
0502453	8200814411	RENAULT	1206	0502580-K	52089486AC *	JEEP	609
0502461	48822-87401	DAIHATSU	336	0502581	48830-05020	TOYOTA	1458
0502475	54810-3E000	KIA	637	0502582	13391512	OPEL	1008
0502487	55530-38600	HYUNDAI	569-570	0502582	350233	OPEL	1008
0502487	55530-38600	KIA	625	0502591	48820-02030	TOYOTA	1459, 1483, 1485, 1523
0502488	54830-38100	HYUNDAI	568, 570	0502591	48820-47010	TOYOTA	1459, 1483, 1485, 1523
0502488	54830-38100	KIA	624	0502610	48820-42020	TOYOTA	1525
0502488	54830-38110	HYUNDAI	568, 570	0502619	33506772789	MINI	860
0502488	54830-38110	KIA	624	0502619	33506781133	MINI	860
0502495	1425853	FORD	454, 471	0502619	33551507999	MINI	860
0502495	30736875	VOLVO	1727, 1733	0502623	48820-35030	TOYOTA	1456, 1511
0502495	30760678	VOLVO	1727, 1733	0502623	48820-AD010	TOYOTA	1456, 1511
0502499	54830-1F000	HYUNDAI	575	0502624	48830-35020	TOYOTA	1456, 1511
0502499	54830-1F-000	KIA	642	0502630	48820-44020	TOYOTA	1461
0502499	54830-1F000	KIA	642	0502643	52320-S2A-003	HONDA	538
0502499	54830-2E000	HYUNDAI	575	0502647	52088283	JEEP	608
0502499	54830-2E100	HYUNDAI	575	0502647-K	06502473 *	JEEP	608
0502523	60801498	ALFA ROMEO	15	0502647-K	06502835 *	JEEP	608
0502525	55530-1F-000	HYUNDAI	575	0502647-K	06505353AA *	JEEP	608
0502525	55530-1F000	HYUNDAI	575	0502647-K	52088283 *	JEEP	608
0502525	55530-1F-000	KIA	642	0502654	4G0411317A	AUDI	59, 62, 75, 77, 85, 92
0502525	55530-1F000	KIA	642	0502654	4G0411317A	PORSCHE	1175
0502525	55530-2E-000	HYUNDAI	575	0502654	4H0411317A	AUDI	59, 62, 75, 77, 85, 92
0502525	55530-2E000	HYUNDAI	575				
0502525	55530-2E-000	KIA	642				

RIF. OCAP OCAP REF.	RIF. ORIG. O.E. NUMBER	MARCA MAKE	PAG.	RIF. OCAP OCAP REF.	RIF. ORIG. O.E. NUMBER	MARCA MAKE	PAG.
0502654	4H0411317A	PORSCHE	1175	0502746	C2C13835	JAGUAR	595, 602
0502654	4H0411317C	AUDI	59, 62, 75, 77, 85, 92	0502746	C2C1802	JAGUAR	595, 602
0502654	4H0411317C	PORSCHE	1175	0502746	C2C18419	JAGUAR	595, 602
0502654	4M0411317	AUDI	59, 62, 75, 77, 85, 92	0502746	C2C240305	JAGUAR	595, 602
0502654	4M0411317	PORSCHE	1175	0502746	C2C36985	JAGUAR	595, 602
0502654	8K0407317E	AUDI	59, 62, 75, 77, 85, 92	0502747	XR81694	JAGUAR	593
0502654	8K0407317E	PORSCHE	1175	0502747	XR827071	JAGUAR	593
0502654	8K0411317C	AUDI	59, 62, 75, 77, 85, 92	0502747	XR855185	JAGUAR	593
0502654	8K0411317C	PORSCHE	1175	0502748	C2S24698	JAGUAR	597
0502654	8K0411317D	AUDI	59, 62, 75, 77, 85, 92	0502748	C2S40709	JAGUAR	597
0502654	8K0411317D	PORSCHE	1175	0502748	C2S45009	JAGUAR	597
0502656	8AG1-34-100	MAZDA	725	0502748	C2S4585	JAGUAR	597
0502657	GE4T-28-170	MAZDA	727	0502763	90112-SM4-000	HONDA	504-505
0502663	508757	CITROEN	253, 268	0502763	90112-SM4-020	HONDA	504-505
0502663	508757	PEUGEOT	1085	0502778	54825-22000	HYUNDAI	539
0502675	1643500053	MERCEDES	808, 810, 813	0502783	48820-0D010	TOYOTA	1534, 1537
0502675	1663500053	MERCEDES	808, 810, 813	0502786	42420-81A10	SUZUKI	1431
0502676	1643201232	MERCEDES	808, 811, 813	0502797	B30H-28-170B	MAZDA	720, 743
0502679	1643201332	MERCEDES	807, 812	0502803	4056A021	MITSUBISHI	875
0502679	1643202132	MERCEDES	807, 812	0502803	MB-809354	MITSUBISHI	875
0502679	2513201232	MERCEDES	807, 812	0502811	54830-4A000	HYUNDAI	547
0502686	50700464	FIAT	343, 379, 393, 415	0502811	54830-4A003	HYUNDAI	547
0502686	50700464	FORD	459	0502811	54830-4A800	HYUNDAI	547
0502686	50700464	LANCIA	660, 673	0502811	54830-4A802	HYUNDAI	547
0502686	50700941	FIAT	343, 379, 393, 415	0502812	55530-4A000	HYUNDAI	547
0502686	50700941	FORD	459	0502812	55530-4A001	HYUNDAI	547
0502686	50700941	LANCIA	660, 673	0502812	55530-4A800	HYUNDAI	547
0502686	51795269	FIAT	343, 379, 393, 415	0502812	55530-4A801	HYUNDAI	547
0502686	51795269	FORD	459	0502813	56850-H1001	HYUNDAI	573
0502686	51795269	LANCIA	660, 673	0502813	56850-H1011	HYUNDAI	573
0502686	51801136	FIAT	343, 379, 393, 415	0502820	MR-319147	MITSUBISHI	901
0502686	51801136	FORD	459	0502821	MR-316368	MITSUBISHI	901
0502686	51801136	LANCIA	660, 673	0502834	56261-EQ000	NISSAN	1005
0502688	42420-M68K00	SUZUKI	1424	0502835	20470-FE000	SUBARU	1412-1413, 1419, 1422
0502688	54616-4A00B	NISSAN	969	0502835	20470-SA000	SUBARU	1412-1413, 1419, 1422
0502719	4743454AA	CHRYSLER	237-239	0502835	20470-SA001	SUBARU	1412-1413, 1419, 1422
0502719	4743669AA	CHRYSLER	237-239	0502836	20470-AE000	SUBARU	1418, 1422
0502719	4763669AB	CHRYSLER	237-239	0502836	20470-AE001	SUBARU	1418, 1422
0502722	5272190	CHRYSLER	237-238	0502836	20470-AE010	SUBARU	1418, 1422
0502731	LR002626	LAND ROVER	685	0502843	48830-06030	TOYOTA	1467
0502735	1400099680	CITROEN	293	0502843	48830-48010	LEXUS	704
0502735	1400099680	FIAT	389	0502843	48830-48010	TOYOTA	1467
0502735	1400099680	PEUGEOT	1076	0502855	33551135307	BMW	144, 163, 187
0502735	508756	CITROEN	293	0502858	32211128368	BMW	184
0502735	508756	PEUGEOT	1076	0502859	32211136681	BMW	186
0502736	1400589180	PEUGEOT	1076	0502859	32211138850	BMW	186
0502736	5170F1	PEUGEOT	1076	0502860	32211138851	BMW	186
0502738	30620786	VOLVO	1719	0502865	32211130661	BMW	161
0502738	30884360	VOLVO	1719	0502865	32211133615	BMW	161
0502740	50704671	FIAT	378-379	0502865	32211136685	BMW	161
0502740	51856959	FIAT	378-379	0502865	32211136684	BMW	161
0502744	2E0511051F	VOLKSWAGEN	1584	0502865	32211138854	BMW	161
0502744	9063201389	MERCEDES	843	0502866	32211138855	BMW	161
0502745	C2C10793	JAGUAR	594, 598, 602	0502867	32211138852	BMW	161
0502745	C2C18573	JAGUAR	594, 598, 602	0502868	32211138853	BMW	161
0502745	C2C39468	JAGUAR	594, 598, 602	0502878	31351092304	BMW	167
0502745	XR822199	JAGUAR	594, 598, 602	0502878	31351095664	BMW	167
				0502946	48510-01L25	NISSAN	943
				0502979	48850-77E00	SUZUKI	1440
				0502992	42420-77A00	SUZUKI	1427
				0503009	45460-87Z02	PIAGGIO	1157
				0503061	RTC1799	LAND ROVER	676
				0503063	NRC3226	LAND ROVER	676

RIF. OCAP OCAP REF.	RIF. ORIG. O.E. NUMBER	MARCA MAKE	PAG.	RIF. OCAP OCAP REF.	RIF. ORIG. O.E. NUMBER	MARCA MAKE	PAG.
0503064	NTC9607	LAND ROVER	676	0503134-K	1072447 *	FORD	467
0503067	ANR3826	LAND ROVER	688	0503139	13327928	OPEL	1046
0503067	TIQ00020	LAND ROVER	688	0503139	350176	OPEL	1046
0503068	NRC9743	LAND ROVER	675	0503139	90498745	OPEL	1046
0503070	51320-SK3-000	HONDA	519	0503140	42420-62J00	OPEL	1010
0503070	51320-SK3-000	ROVER GROUP	1282-1283, 1289	0503140	42420-62J00	SUZUKI	1436
0503070	EGP1662	HONDA	519	0503140	42420-62J00	VAUXHALL	1539
0503070	EGP1662	ROVER GROUP	1282-1283, 1289	0503140	4709702	OPEL	1010
0503071	8E0505465C	AUDI	68, 71	0503140	4709702	SUZUKI	1436
0503071	8E0505465C	SKODA	1390	0503140	4709702	VAUXHALL	1539
0503071	8E0505465C	VOLKSWAGEN	1643, 1646	0503211	1610930280	CITROEN	264, 270
0503071	8E0505465D	AUDI	68, 71	0503211	1610930280	OPEL	1036
0503071	8E0505465D	SKODA	1390	0503211	1610930280	PEUGEOT	1121, 1124, 1152
0503071	8E0505465D	VOLKSWAGEN	1643, 1646	0503211	1614281180	CITROEN	264, 270
0503075	46802682	ALFA ROMEO	11	0503211	1614281180	OPEL	1036
0503075	60629903	ALFA ROMEO	11	0503211	1614281180	PEUGEOT	1121, 1124, 1152
0503076	46802680	ALFA ROMEO	11	0503211	3637393	OPEL	1036
0503076	46802681	ALFA ROMEO	11	0503211	508764	CITROEN	264, 270
0503076	51749713	ALFA ROMEO	11	0503211	508764	OPEL	1036
0503076	60622617	ALFA ROMEO	11	0503211	508764	PEUGEOT	1121, 1124, 1152
0503076	60652167	ALFA ROMEO	11	0503211	9806907180	CITROEN	264, 270
0503077	60613575	ALFA ROMEO	11	0503211	9806907180	OPEL	1036
0503079	46843389	ALFA ROMEO	10	0503211	9806907180	PEUGEOT	1121, 1124, 1152
0503079	60625029	ALFA ROMEO	10	0503211	9809045780	CITROEN	264, 270
0503090	48820-32010	TOYOTA	1473	0503211	9809045780	OPEL	1036
0503095	48830-42020	TOYOTA	1526-1527	0503211	9809045780	PEUGEOT	1121, 1124, 1152
0503095	48830-42021	TOYOTA	1526-1527	0503215	ANR3304	LAND ROVER	688
0503095	48830-42022	TOYOTA	1526-1527	0503218	546180002R	RENAULT	1195, 1219, 1257
0503096	48820-42030	TOYOTA	1457, 1460, 1484, 1526- 1527, 1535	0503218	546180009R	RENAULT	1195, 1219, 1257
0503096	48820-42070	TOYOTA	1457, 1460, 1484, 1526- 1527, 1535	0503239	33556771937	BMW	209
0503096	48820-47020	TOYOTA	1457, 1460, 1484, 1526- 1527, 1535	0503239	33556857626	BMW	209
0503096	48820-47030	TOYOTA	1457, 1460, 1484, 1526- 1527, 1535	0503249	99633306902	PORSCHE	1162
0503104	48830-05030	TOYOTA	1457, 1460	0503249	99633306903	PORSCHE	1162
0503108	48820-17020	TOYOTA	1518	0503249	99633306904	PORSCHE	1162
0503108	48820-17030	TOYOTA	1518	0503253	1513343	FORD	424, 442-443, 487
0503108	48820-17040	TOYOTA	1518	0503253	1513343	MAZDA	711
0503109	48830-17030	TOYOTA	1518	0503253	1745924	FORD	424, 442-443, 487
0503109	48830-17040	TOYOTA	1518	0503253	1745924	MAZDA	711
0503109	48830-17050	TOYOTA	1518	0503253	1790310	FORD	424, 442-443, 487
0503110	48820-17010	TOYOTA	1517	0503253	1790310	MAZDA	711
0503111	48830-17010	TOYOTA	1517	0503253	1905043	FORD	424, 442-443, 487
0503112	48830-17020	TOYOTA	1517	0503253	1905043	MAZDA	711
0503117	48560-3S125	NISSAN	967	0503253	2069658	FORD	424, 442-443, 487
0503118	48560-3S525	NISSAN	967	0503253	2069658	MAZDA	711
0503118	D8560-VK90A	NISSAN	967	0503253	8V513B438AB	FORD	424, 442-443, 487
0503119	20470-SA010	SUBARU	1412	0503253	8V513B438AB	MAZDA	711
0503119	20470-SA011	SUBARU	1412	0503253	D651-34-170	FORD	424, 442-443, 487
0503127	42420-65J00	SUZUKI	1429	0503253	D651-34-170	MAZDA	711
0503130	2K0505465A	VOLKSWAGEN	1609	0503254	1495685	FORD	496, 499
0503130	2K0505465B	VOLKSWAGEN	1609	0503254	1763714	FORD	496, 499
0503130	2K0505465C	VOLKSWAGEN	1609	0503254	4519467	FORD	496, 499
0503130	2K0505465E	VOLKSWAGEN	1609	0503258	48560-01G25	NISSAN	963
0503131	8K0411317B	AUDI	59				
0503134	1072446	FORD	467				
0503134-K	1072435 *	FORD	467				
0503134-K	1072446 *	FORD	467				

RIF. OCAP OCAP REF.	RIF. ORIG. O.E. NUMBER	MARCA MAKE	PAG.	RIF. OCAP OCAP REF.	RIF. ORIG. O.E. NUMBER	MARCA MAKE	PAG.
0503261	4F0505465P	AUDI	73	0503767	45460-29066	TOYOTA	1496
0503264	51848645	FIAT	356	0503781	45460-29265	TOYOTA	1497
0503290	51320-SMG-E01	HONDA	518	0503782	45460-29285	TOYOTA	1497
0503290	51320SMGE01	HONDA	518	0503782	45470-29075	TOYOTA	1497
0503296	51320-TF0-003	HONDA	527	0503788	45450-39015	TOYOTA	1501
0503296	51320TF0003	HONDA	527	0503788	45450-39016	TOYOTA	1501
0503321	45460-87587	DAIHATSU	332	0503788	45450-39055	TOYOTA	1501
0503448	MB-166422	MITSUBISHI	897	0503788	45450-39065	TOYOTA	1501
0503460	HB568100	HYUNDAI	545	0503791	45450-39145	TOYOTA	1502
0503514	48560-21400	NISSAN	930, 1003	0503792	45460-29215	TOYOTA	1501-1502
0503514	48560-U2000	NISSAN	930, 1003	0503792	45460-39095	TOYOTA	1501-1502
0503514	48560-U5200	NISSAN	930, 1003	0503792	45460-39096	TOYOTA	1501-1502
0503520	1355449080 *	CITROEN	291	0503792	45460-39155	TOYOTA	1501-1502
0503520	1355449080 *	FIAT	362	0503792	45460-39215	TOYOTA	1501-1502
0503520	1355449080 *	PEUGEOT	1075	0503792	45460-39225	TOYOTA	1501-1502
0503520	5170F5	CITROEN	291	0503805	24417251	OPEL	1064
0503520	5170F5	FIAT	362	0503805	24417251	SAAB	1300
0503520	5170F5	PEUGEOT	1075	0503805	24417251	VAUXHALL	1568
0503520	5170F6	CITROEN	291	0503805	350603	OPEL	1064
0503520	5170F6	FIAT	362	0503805	350603	SAAB	1300
0503520	5170F6	PEUGEOT	1075	0503805	350603	VAUXHALL	1568
0503541	45261-4F702	NISSAN	948	0503805	51741130	FIAT	351
0503541	56261-0F600	NISSAN	948	0503805	51803183	FIAT	351
0503541	56261-47B01	NISSAN	948	0503818	1331209080	FIAT	399
0503541	56261-4F701	NISSAN	948	0503818	1331209080	LANCIA	666
0503541	56261-4F702	NISSAN	948	0503818	5081F1	CITROEN	276
0503541	56261-4F705	NISSAN	948	0503818	5081F1	PEUGEOT	1151
0503541	56261-4F710	NISSAN	948	0503818	508751	CITROEN	276
0503541	56261-4F725	NISSAN	948	0503818	508751	PEUGEOT	1151
0503541	56261-6F600	NISSAN	948	0503822	1146150	FORD	440
0503551	56261-86J00	NISSAN	974	0503822	1146150	MAZDA	710
0503551	56261-86J25	NISSAN	974	0503822	DD32-34-170	FORD	440
0503551	56261-90J01	NISSAN	974	0503822	DD32-34-170	MAZDA	710
0503551	56561-50J00	NISSAN	974	0503823	3665759 *	FORD	474
0503565	48560-W5700	NISSAN	928, 989, 1004	0503823	3669093 *	FORD	474
0503565	48560-W5725	NISSAN	928, 989, 1004	0503826	3665762	FORD	474
0503566	48560-W5000	NISSAN	928, 989, 1004	0503838	50703296	FIAT	378
0503571	48560-H5000	NISSAN	987	0503842	274303	VOLVO	1725, 1731, 1734
0503575	48510-35A25	NISSAN	990	0503842	274456	VOLVO	1725, 1731, 1734
0503576	48510-50A25	NISSAN	980, 991	0503842	30714685	VOLVO	1725, 1731, 1734
0503576	48510-51A25	NISSAN	980, 991	0503844	32106774360	BMW	191
0503576	48510-53A25	NISSAN	980, 991	0503844	32216756368	BMW	191
0503576	48510-53A26	NISSAN	980, 991	0503844	32216777268	BMW	191
0503577	48510-50A26	NISSAN	980, 991	0503850	33556757460	BMW	192
0503589	48510-31G25	NISSAN	965, 994	0503851	33506781539	BMW	192
0503589	48510-7F000	NISSAN	965, 994	0503851	33556753770	BMW	192
0503605	20470-AJ000	SUBARU	1419	0503852	31352227203	BMW	143, 213
0503605	20470-FG000	SUBARU	1419	0503852	LR002876	LAND ROVER	685, 692
0503618	48850-60A00	SUZUKI	1439	0503853	33552282182	BMW	149, 215, 217
0503619	48800-60A00	SUZUKI	1439	0503853	33552283743	BMW	149, 215, 217
0503632	45460-19025	TOYOTA	1464, 1475	0503855	1117800	FORD	469
0503683	45460-29045	TOYOTA	1486	0503855	1127648	FORD	469
0503706	GA2B-28-170A	MAZDA	726, 747	0503862	2203500453 *	MERCEDES	823
0503706	GA2B-28-170B	MAZDA	726, 747	0503862-K	2203500453	MERCEDES	823
0503706	GA2C-28-170A	MAZDA	726, 747	0503864	701411049B	VOLKSWAGEN	1702, 1704
0503706	GA2C-28-170B	MAZDA	726, 747	0503870	3736028	FORD	496
0503709	45460-39075	TOYOTA	1493	0503870	3933468	FORD	496
0503718	45460-39195	TOYOTA	1494	0503870	4041494	FORD	496
0503724	45460-19025	TOYOTA	1529	0503871	4042068	FORD	497
0503724	45460-19056	TOYOTA	1529	0503872	4346344	FORD	497
0503724	45460-19175	TOYOTA	1529	0503872	4440885	FORD	497
0503724	45460-29135	TOYOTA	1529	0503872	4531299	FORD	497
0503724	45460-29145	TOYOTA	1529				
0503724	45470-19025	TOYOTA	1529				

RIF. OCAP OCAP REF.	RIF. ORIG. O.E. NUMBER	MARCA MAKE	PAG.	RIF. OCAP OCAP REF.	RIF. ORIG. O.E. NUMBER	MARCA MAKE	PAG.
0503872	4709303	FORD	497	0503974	7M0411317	FORD	452
0503873	272991	VOLVO	1730, 1744	0503974	7M0411317	SEAT	1307
0503873	9492837	VOLVO	1730, 1744	0503974	7M0411317	VOLKSWAGEN	1676
0503878	4408904	NISSAN	954, 972	0503974	7M0411317C	FORD	452
0503878	4408904	OPEL	1066-1067	0503974	7M0411317C	SEAT	1307
0503878	4408904	RENAULT	1193, 1204, 1268-1269	0503974	7M0411317C	VOLKSWAGEN	1676
0503878	4408904	VAUXHALL	1570	0503974	7M0411317D	FORD	452
0503878	54616-00Q0A	NISSAN	954, 972	0503974	7M0411317D	SEAT	1307
0503878	54616-00Q0A	OPEL	1066-1067	0503974	7M0411317D	VOLKSWAGEN	1676
0503878	54616-00Q0A	RENAULT	1193, 1204, 1268-1269	0503974	7M3411317C	FORD	452
0503878	54616-00Q0A	VAUXHALL	1570	0503974	7M3411317C	SEAT	1307
0503878	54616-00QAC	NISSAN	954, 972	0503974	7M3411317C	VOLKSWAGEN	1676
0503878	54616-00QAC	OPEL	1066-1067	0504002	133419804A	VOLKSWAGEN	1713
0503878	54616-00QAC	RENAULT	1193, 1204, 1268-1269	0504004	131415802E	VOLKSWAGEN	1710
0503878	54616-00QAC	VAUXHALL	1570	0504004	131415802F	VOLKSWAGEN	1710
0503878	6000618859	NISSAN	954, 972	0504005	131415801E	VOLKSWAGEN	1710
0503878	6000618859	OPEL	1066-1067	0504005	131415801F	VOLKSWAGEN	1710
0503878	6000618859	RENAULT	1193, 1204, 1268-1269	0504010	131415802C	VOLKSWAGEN	1710
0503878	6000618859	VAUXHALL	1570	0504010	131415802D	VOLKSWAGEN	1710
0503878	8200002870	NISSAN	954, 972	0504011	113415801	VOLKSWAGEN	1709-1710
0503878	8200002870	OPEL	1066-1067	0504011	131415801B	VOLKSWAGEN	1709-1710
0503878	8200002870	RENAULT	1193, 1204, 1268-1269	0504012	311415802B	VOLKSWAGEN	1709
0503878	8200002870	VAUXHALL	1570	0504036	05272324AC	CHRYSLER	236
0503878	8200002870	NISSAN	954, 972	0504036	5272324AC	CHRYSLER	236
0503878	8200002870	OPEL	1066-1067	0504038	04656934AB	CHRYSLER	236
0503878	8200002870	RENAULT	1193, 1204, 1268-1269	0504038	4656934AB	CHRYSLER	236
0503878	8200002870	VAUXHALL	1570	0504040	71243899	TALBOT	1444
0503878	91167000	NISSAN	954, 972	0504068	13169439	OPEL	1019, 1021, 1069
0503878	91167000	OPEL	1066-1067	0504068	350611	OPEL	1019, 1021, 1069
0503878	91167000	RENAULT	1193, 1204, 1268-1269	0504068	90498745	OPEL	1019, 1021, 1069
0503878	91167000	VAUXHALL	1570	0504071	54830-0U000	HYUNDAI	543, 553, 555
0503879	30714678	VOLVO	1725, 1731, 1734	0504071	54830-0U000	KIA	620, 634
0503879	8672446	VOLVO	1725, 1731, 1734	0504071	54830-2Y500	HYUNDAI	543, 553, 555
0503879	9169080	VOLVO	1725, 1731, 1734	0504071	54830-2Y500	KIA	620, 634
0503880	3434868	VOLVO	1741	0504071	54830-4L000	HYUNDAI	543, 553, 555
0503881	31356759537	MINI	857, 860	0504071	54830-4L000	KIA	620, 634
0503881	31356778831	MINI	857, 860	0504071	54830-4V000	HYUNDAI	543, 553, 555
0503888	2203502606	MERCEDES	823	0504071	54830-4V000	KIA	620, 634
0503888	2203502706	MERCEDES	823	0504071	54830-D3000	HYUNDAI	543, 553, 555
0503888	2203502206	MERCEDES	823	0504071	54830-D3000	KIA	620, 634
0503890	2203502406	MERCEDES	823	0504071	54830-D9000	HYUNDAI	543, 553, 555
0503898	4153200189	MERCEDES	839	0504071	54830-D9000	KIA	620, 634
0503898	4153200189	RENAULT	1201, 1218	0504071	54830-H8000	HYUNDAI	543, 553, 555
0503898	8200166159	MERCEDES	839	0504071	54830-H8000	KIA	620, 634
0503898	8200166159	RENAULT	1201, 1218, 1256	0504072	54830-2H000	HYUNDAI	554
0503898	8200669065	MERCEDES	839	0504072	54830-2H000	KIA	619
0503898	8200669065	RENAULT	1201, 1218, 1256	0504072	54830-2H100	HYUNDAI	554
0503900	1244600805	MERCEDES	782	0504074	55530-1H000	HYUNDAI	554
0503901	1243300903	MERCEDES	782	0504074	55530-1H000	KIA	619
0503903	1244601205	MERCEDES	782	0504074	55530-1H100	HYUNDAI	554
0503905	1243200289	MERCEDES	764, 767, 784, 787, 830, 835, 837	0504074	55530-1H100	KIA	619
0503974	1009591	FORD	452	0504079	54830-28000	HYUNDAI	559
0503974	1009591	SEAT	1307	0504079	54830-37010	HYUNDAI	559
0503974	1009591	VOLKSWAGEN	1676	0504079	54830-37020	HYUNDAI	559
0503974	7200959	FORD	452	0504080	55530-17000	HYUNDAI	561
0503974	7200959	SEAT	1307	0504080	55530-17000	KIA	621
0503974	7200959	VOLKSWAGEN	1676	0504085	55530-2B000	HYUNDAI	565
				0504085	55530-2B000	KIA	639
				0504085	55530-2B200	HYUNDAI	565
				0504085	55530-2B200	KIA	639
				0504086	54830-36000	HYUNDAI	566
				0504086	54830-36100	HYUNDAI	566

RIF. OCAP OCAP REF.	RIF. ORIG. O.E. NUMBER	MARCA MAKE	PAG.	RIF. OCAP OCAP REF.	RIF. ORIG. O.E. NUMBER	MARCA MAKE	PAG.
0504086	54830-36101	HYUNDAI	566	0504245	96391876	CHEVROLET - DAEWOO	229
0504094	54830-3K000	HYUNDAI	572	0504271	4143200189	MERCEDES	844
0504094	54830-3K010	HYUNDAI	572	0504271	4143200389	MERCEDES	844
0504094	54830-3L000	HYUNDAI	572	0504283	1K0411315B	AUDI	43, 47, 89, 99
0504095	55530-3K000	HYUNDAI	572	0504283	1K0411315B	SEAT	1310, 1318, 1344, 1348
0504095	55530-3K001	HYUNDAI	572	0504283	1K0411315B	SKODA	1369, 1371, 1377, 1381, 1392, 1394
0504110	54830-2G000	KIA	616, 626	0504283	1K0411315B	VOLKSWAGEN	1573, 1581, 1607, 1611, 1614, 1617, 1619, 1649, 1653, 1674, 1681, 1683, 1691, 1694, 1696
0504111	55530-1D000	KIA	616, 626	0504283	1K0411315D	AUDI	43, 47, 89, 99
0504133	4056A037	MITSUBISHI	887	0504283	1K0411315D	SEAT	1310, 1318, 1344, 1348
0504133	MR-403771	MITSUBISHI	887	0504283	1K0411315D	SKODA	1369, 1371, 1377, 1381, 1392, 1394
0504133	MR-476595	MITSUBISHI	887	0504283	1K0411315D	VOLKSWAGEN	1573, 1581, 1607, 1611, 1614, 1617, 1619, 1649, 1653, 1674, 1681, 1683, 1691, 1694, 1696
0504145	56260-01J10	NISSAN	961-962	0504283	1K0411315J	AUDI	43, 47, 89, 99
0504147	54618-VB000	NISSAN	962	0504283	1K0411315J	SEAT	1310, 1318, 1344, 1348
0504148	54618-VC300	NISSAN	962	0504283	1K0411315J	SKODA	1369, 1371, 1377, 1381, 1392, 1394
0504153	2113200889	MERCEDES	793, 833	0504283	1K0411315J	VOLKSWAGEN	1573, 1581, 1607, 1611, 1614, 1617, 1619, 1649, 1653, 1674, 1681, 1683, 1691, 1694, 1696
0504153	2113203389	MERCEDES	793, 833	0504283	1K0411315K	AUDI	43, 47, 89, 99
0504154	2033202189	MERCEDES	769	0504283	1K0411315K	SEAT	1310, 1318, 1344, 1348
0504154	2033202689	MERCEDES	769	0504283	1K0411315K	SKODA	1369, 1371, 1377, 1381, 1392, 1394
0504154	2033202989	MERCEDES	769	0504283	1K0411315K	VOLKSWAGEN	1573, 1581, 1607, 1611, 1614, 1617, 1619, 1649, 1653, 1674, 1681, 1683, 1691, 1694, 1696
0504155	2033201889	MERCEDES	769	0504283	1K0411315N	AUDI	43, 47, 89, 99
0504156	1243200489	MERCEDES	787	0504283	1K0411315N	SEAT	1310, 1318, 1344, 1348
0504157	1403201789	MERCEDES	819	0504283	1K0411315N	SKODA	1369, 1371, 1377, 1381, 1392, 1394
0504159	2203203689	MERCEDES	823	0504283	1K0411315N	VOLKSWAGEN	1573, 1581, 1607, 1611, 1614, 1617, 1619, 1649, 1653, 1674, 1681, 1683, 1691, 1694, 1696
0504160	6383260016	MERCEDES	846	0504283	1K0411315N	AUDI	43, 47, 89, 99
0504160	6383260116	MERCEDES	846	0504283	1K0411315N	SEAT	1310, 1318, 1344, 1348
0504162	1107068	FORD	444	0504283	1K0411315N	SKODA	1369, 1371, 1377, 1381, 1392, 1394
0504162	1111769	FORD	444	0504283	1K0411315N	VOLKSWAGEN	1573, 1581, 1607, 1611, 1614, 1617, 1619, 1649, 1653, 1674, 1681, 1683, 1691, 1694, 1696
0504162	1135077	FORD	444	0504283	1K0411315J	AUDI	43, 47, 89, 99
0504162	1209035	FORD	444	0504283	1K0411315J	SEAT	1310, 1318, 1344, 1348
0504167	45460-87586	PIAGGIO	1157	0504283	1K0411315J	SKODA	1369, 1371, 1377, 1381, 1392, 1394
0504172	8200166160	RENAULT	1218	0504283	1K0411315J	VOLKSWAGEN	1573, 1581, 1607, 1611, 1614, 1617, 1619, 1649, 1653, 1674, 1681, 1683, 1691, 1694, 1696
0504172	8200669066	RENAULT	1218	0504283	1K0411315K	AUDI	43, 47, 89, 99
0504174	48510-01G25	NISSAN	963	0504283	1K0411315K	SEAT	1310, 1318, 1344, 1348
0504174	48630-01G25	NISSAN	963	0504283	1K0411315K	SKODA	1369, 1371, 1377, 1381, 1392, 1394
0504176	1117801	FORD	469	0504283	1K0411315K	VOLKSWAGEN	1573, 1581, 1607, 1611, 1614, 1617, 1619, 1649, 1653, 1674, 1681, 1683, 1691, 1694, 1696
0504176	1130452	FORD	469	0504283	1K0411315N	AUDI	43, 47, 89, 99
0504180	NTC1888	LAND ROVER	675, 677, 686-687	0504283	1K0411315N	SEAT	1310, 1318, 1344, 1348
0504189	4604630115	MERCEDES	798-799	0504283	1K0411315N	SKODA	1369, 1371, 1377, 1381, 1392, 1394
0504189	4604635115	MERCEDES	798-799	0504283	1K0411315N	VOLKSWAGEN	1573, 1581, 1607, 1611, 1614, 1617, 1619, 1649, 1653, 1674, 1681, 1683, 1691, 1694, 1696
0504189	4604635315	MERCEDES	798-799	0504283	1K0411315K	AUDI	43, 47, 89, 99
0504189	4634630015	MERCEDES	798-799	0504283	1K0411315K	SEAT	1310, 1318, 1344, 1348
0504189	4634630715	MERCEDES	798-799	0504283	1K0411315K	SKODA	1369, 1371, 1377, 1381, 1392, 1394
0504208	32103412798	BMW	201, 208	0504283	1K0411315K	VOLKSWAGEN	1573, 1581, 1607, 1611, 1614, 1617, 1619, 1649, 1653, 1674, 1681, 1683, 1691, 1694, 1696
0504208	32103444999	BMW	201, 208	0504283	1K0411315N	AUDI	43, 47, 89, 99
0504208	32106780985	BMW	201, 208	0504283	1K0411315N	SEAT	1310, 1318, 1344, 1348
0504208	32106793496	BMW	201, 208	0504283	1K0411315N	SKODA	1369, 1371, 1377, 1381, 1392, 1394
0504208	32216773741	BMW	201, 208	0504283	1K0411315N	VOLKSWAGEN	1573, 1581, 1607, 1611, 1614, 1617, 1619, 1649, 1653, 1674, 1681, 1683, 1691, 1694, 1696
0504208	32303418204	BMW	201, 208	0504283	1K0411315N	AUDI	43, 47, 89, 99
0504216	33503413197	BMW	202	0504283	1K0411315N	SEAT	1310, 1318, 1344, 1348
0504216	33503414297	BMW	202	0504283	1K0411315N	SKODA	1369, 1371, 1377, 1381, 1392, 1394
0504217	32106774347	BMW	168, 179	0504283	1K0411315N	VOLKSWAGEN	1573, 1581, 1607, 1611, 1614, 1617, 1619, 1649, 1653, 1674, 1681, 1683, 1691, 1694, 1696
0504217	32106777479	BMW	168, 179	0504283	1K0411315N	AUDI	43, 47, 89, 99
0504217	32216762403	BMW	168, 179	0504283	1K0411315N	SEAT	1310, 1318, 1344, 1348
0504223	33506781540	BMW	170, 180	0504283	1K0411315N	SKODA	1369, 1371, 1377, 1381, 1392, 1394
0504223	33556761000	BMW	170, 180	0504283	1K0411315N	VOLKSWAGEN	1573, 1581, 1607, 1611, 1614, 1617, 1619, 1649, 1653, 1674, 1681, 1683, 1691, 1694, 1696
0504225	96300627	CHEVROLET - DAEWOO	229	0504283	1K0411315N	AUDI	43, 47, 89, 99
0504226	96300222	CHEVROLET - DAEWOO	229	0504283	1K0411315N	SEAT	1310, 1318, 1344, 1348
0504227	96275798	CHEVROLET - DAEWOO	218, 224, 229, 233	0504283	1K0411315N	SKODA	1369, 1371, 1377, 1381, 1392, 1394
0504227	96288865	CHEVROLET - DAEWOO	218, 224, 229, 233	0504283	1K0411315N	VOLKSWAGEN	1573, 1581, 1607, 1611, 1614, 1617, 1619, 1649, 1653, 1674, 1681, 1683, 1691, 1694, 1696
0504227	96391875	CHEVROLET - DAEWOO	218, 224, 229, 233	0504283	1K0411315N	AUDI	43, 47, 89, 99
0504244	33556764428	BMW	132, 153	0504283	1K0411315N	SEAT	1310, 1318, 1344, 1348

RIF. OCAP OCAP REF.	RIF. ORIG. O.E. NUMBER	MARCA MAKE	PAG.	RIF. OCAP OCAP REF.	RIF. ORIG. O.E. NUMBER	MARCA MAKE	PAG.
			1681, 1683, 1691, 1694, 1696	0504290	1335548	FORD	448
				0504290	1335548	MAZDA	713
				0504290	1335548	VOLVO	1723
0504283	1K0411315P	AUDI	43, 47, 89, 99	0504290	1469208	FORD	448
0504283	1K0411315P	SEAT	1310, 1318, 1344, 1348	0504290	1469208	MAZDA	713
0504283	1K0411315P	SKODA	1369, 1371, 1377, 1381, 1392, 1394	0504290	1469208	VOLVO	1723
0504283	1K0411315P	VOLKSWAGEN	1573, 1581, 1607, 1611, 1614, 1617, 1619, 1649, 1653, 1674, 1681, 1683, 1691, 1694, 1696	0504290	1734686	FORD	448
				0504290	1734686	MAZDA	713
				0504290	1734686	VOLVO	1723
0504283	1K0411315R	AUDI	43, 47, 89, 99	0504290	30683232	FORD	448
0504283	1K0411315R	SEAT	1310, 1318, 1344, 1348	0504290	30683232	MAZDA	713
0504283	1K0411315R	SKODA	1369, 1371, 1377, 1381, 1392, 1394	0504290	30683232	VOLVO	1723
0504283	1K0411315R	VOLKSWAGEN	1573, 1581, 1607, 1611, 1614, 1617, 1619, 1649, 1653, 1674, 1681, 1683, 1691, 1694, 1696	0504290	30714466	FORD	448
				0504290	30714466	MAZDA	713
				0504290	30714466	VOLVO	1723
0504283	1K0411315R	VOLKSWAGEN	1573, 1581, 1607, 1611, 1614, 1617, 1619, 1649, 1653, 1674, 1681, 1683, 1691, 1694, 1696	0504290	BP4K-28-170C	FORD	448
				0504290	BP4K-28-170C	MAZDA	713
				0504290	BP4K-28-170C	VOLVO	1723
0504283	5Q0411315A	AUDI	43, 47, 89, 99	0504290	BP4K-28-170D	FORD	448
0504283	5Q0411315A	SEAT	1310, 1318, 1344, 1348	0504290	BP4K-28-170D	MAZDA	713
0504283	5Q0411315A	SKODA	1369, 1371, 1377, 1381, 1392, 1394	0504290	BP4K-28-170D	VOLVO	1723
0504283	5Q0411315A	VOLKSWAGEN	1573, 1607, 1611, 1614, 1617, 1619, 1649, 1653, 1674, 1681, 1683, 1691, 1694, 1696	0504329	7L0411317	AUDI	95
				0504329	7L0411317	PORSCHE	1172
				0504329	7L0411317	VOLKSWAGEN	1686, 1689
				0504329	95534306900	PORSCHE	1172
0504283	5Q0411315B	AUDI	43, 47, 89, 99	0504337	1H0411317	VOLKSWAGEN	1706
0504283	5Q0411315B	SEAT	1310, 1318, 1344, 1348	0504337	7H0411317A	VOLKSWAGEN	1706
0504283	5Q0411315B	SKODA	1369, 1371, 1377, 1381, 1392, 1394	0504337	7H5411317	VOLKSWAGEN	1706
0504283	5Q0411315B	VOLKSWAGEN	1573, 1607, 1611, 1614, 1617, 1619, 1649, 1653, 1674, 1681, 1683, 1691, 1694, 1696	0504337	7H5411317A	VOLKSWAGEN	1706
				0504342	1332453	FORD	485
				0504342	4367012	FORD	485
				0504343	1332463	FORD	485
				0504343	4436609	FORD	485
				0504346	1223792	FORD	447, 449, 460- 461, 486
				0504346	1223792	MAZDA	713
				0504346	1223792	VOLVO	1717, 1722
				0504346	1230909	FORD	447, 449, 460- 461, 486
				0504346	1230909	MAZDA	713
				0504346	1230909	VOLVO	1717, 1722
0504290	1231452	FORD	448	0504346	1686594	FORD	447, 449, 460- 461, 486
0504290	1231452	MAZDA	713	0504346	1686594	MAZDA	713
0504290	1231452	VOLVO	1723	0504346	1686594	VOLVO	1717, 1722
0504290	1253969	FORD	448	0504346	1762149	FORD	447, 449, 460- 461, 486
0504290	1253969	MAZDA	713	0504346	1762149	MAZDA	713
0504290	1253969	VOLVO	1723	0504346	1762149	VOLVO	1717, 1722
0504290	1304120	FORD	448	0504346	1851900	FORD	447, 449, 460- 461, 486
0504290	1304120	MAZDA	713	0504346	1851900	MAZDA	713
0504290	1304120	VOLVO	1723	0504346	1851900	VOLVO	1717, 1722
0504290	1310333	FORD	448	0504346	31277652	FORD	447, 449, 460- 461, 486
0504290	1310333	MAZDA	713	0504346	31277652	MAZDA	713
0504290	1310333	VOLVO	1723	0504346	31277652	VOLVO	1717, 1722
				0504346	31340273	FORD	447, 449, 460- 461, 486
				0504346	31340273	MAZDA	713
				0504346	31340273	VOLVO	1717, 1722
				0504346	8623576	FORD	447, 449, 460- 461, 486
				0504346	8623576	MAZDA	713
				0504346	8623576	VOLVO	1717, 1722
				0504346	BBM2-34-170	FORD	447, 449, 460-

RIF. OCAP OCAP REF.	RIF. ORIG. O.E. NUMBER	MARCA MAKE	PAG.	RIF. OCAP OCAP REF.	RIF. ORIG. O.E. NUMBER	MARCA MAKE	PAG.
			461, 486	0504378	1K0505465L	SEAT	1310, 1346
0504346	BBM2-34-170	MAZDA	713	0504378	1K0505465L	SKODA	1379, 1393
0504346	BBM2-34-170	VOLVO	1717, 1722	0504378	1K0505465L	VOLKSWAGEN	1574, 1582, 1609, 1612, 1618, 1620, 1651, 1675, 1679, 1682, 1693, 1695
0504346	BBM2-34-170A	FORD	447, 449, 460- 461, 486	0504378	1K0505465R	AUDI	33, 45, 90, 100
0504346	BBM2-34-170A	MAZDA	713	0504378	1K0505465R	SEAT	1310, 1346
0504346	BBM2-34-170A	VOLVO	1717, 1722	0504378	1K0505465R	SKODA	1379, 1393
0504346	BBM3-34-170	FORD	447, 449, 460- 461, 486	0504378	1K0505465R	VOLKSWAGEN	1574, 1582, 1609, 1612, 1618, 1620, 1651, 1675, 1679, 1682, 1693, 1695
0504346	BBM3-34-170	MAZDA	713	0504380	54618-1FE0A	NISSAN	938, 949-950, 953, 995
0504346	BBM3-34-170	VOLVO	1717, 1722	0504380	54618-9U00A	NISSAN	938, 949-950, 953, 995
0504346	BP4K-34-170C	FORD	447, 449, 460- 461, 486	0504380	54618-AX600	NISSAN	938, 949-950, 953, 995
0504346	BP4K-34-170C	MAZDA	713	0504380	54618-JX00A	NISSAN	938, 949-950, 953, 995
0504346	BP4K-34-170C	VOLVO	1717, 1722	0504387-K	54618-2F010	NISSAN	974, 976
0504346	BP4K-34-170D	FORD	447, 449, 460- 461, 486	0504387-K	54618-50J11	NISSAN	974, 976
0504346	BP4K-34-170D	MAZDA	713	0504387-K	54618-50J20	NISSAN	974, 976
0504346	BP4K-34-170D	VOLVO	1717, 1722	0504387-K	54618-58Y10	NISSAN	974, 976
0504360	24461353	OPEL	1021, 1069	0504387-K	54618-58Y60	NISSAN	974, 976
0504360	24461353	VAUXHALL	1545	0504387-K	54618-86J00	NISSAN	974, 976
0504360	350613	OPEL	1021, 1069	0504387-K	54618-86J25	NISSAN	974, 976
0504360	350613	VAUXHALL	1545	0504387-K	54618-90J11	NISSAN	974, 976
0504375	13104120	OPEL	1064	0504388	45261-90J11	NISSAN	976
0504375	13104120	VAUXHALL	1568	0504388	56261-90J11	NISSAN	976
0504375	444275	OPEL	1064	0504390	517846	CITROEN	275
0504375	444275	VAUXHALL	1568	0504390	517846	PEUGEOT	1136, 1141, 1143
0504375	444291	OPEL	1064	0504395-K	54618-50Y00	NISSAN	922, 924, 933, 945, 971, 974- 975, 992
0504375	71740112	FIAT	352	0504395-K	54618-58820	NISSAN	922, 924, 933, 945, 971, 974- 975, 992
0504375	90496711	OPEL	1064	0504395-K	54618-D5010	NISSAN	922, 924, 933, 945, 971, 974- 975, 992
0504378	1K0505465D	AUDI	33, 45, 90, 100	0504396	54618-4M400	NISSAN	925
0504378	1K0505465D	SEAT	1310, 1346	0504396-K	01223-00291 *	NISSAN	925
0504378	1K0505465D	SKODA	1379, 1393	0504396-K	54618-4M400 *	NISSAN	925
0504378	1K0505465D	VOLKSWAGEN	1574, 1582, 1609, 1612, 1618, 1620, 1651, 1675, 1679, 1682, 1693, 1695	0504396-K	56112-BM400 *	NISSAN	925
0504378	1K0505465H	AUDI	33, 45, 90, 100	0504396-K	56113-50Y0A *	NISSAN	925
0504378	1K0505465H	SEAT	1310, 1346	0504400	54618-0E000	NISSAN	946
0504378	1K0505465H	SKODA	1379, 1393	0504400-K	01223-00291 *	NISSAN	946
0504378	1K0505465H	VOLKSWAGEN	1574, 1582, 1609, 1612, 1618, 1620, 1651, 1675, 1679, 1682, 1693, 1695	0504400-K	54618-0E000 *	NISSAN	946
0504378	1K0505465J	AUDI	33, 45, 90, 100	0504400-K	56112-V0100 *	NISSAN	946
0504378	1K0505465J	SEAT	1310, 1346	0504400-K	56113-60U0A *	NISSAN	946
0504378	1K0505465J	SKODA	1379, 1393	0504401	54618-0F000	NISSAN	936, 994
0504378	1K0505465J	VOLKSWAGEN	1574, 1582, 1609, 1612, 1618, 1620, 1651, 1675, 1679, 1682, 1693, 1695	0504401	54618-MB40A	NISSAN	936, 994
0504378	1K0505465K	AUDI	33, 45, 90, 100	0504402	56260-0F001	NISSAN	994
0504378	1K0505465K	SEAT	1310, 1346	0504410	55110-7916R	RENAULT	1181, 1188- 1189
0504378	1K0505465K	SKODA	1379, 1393	0504410	551107916R	RENAULT	1181, 1188- 1189
0504378	1K0505465K	VOLKSWAGEN	1574, 1582, 1609, 1612, 1618, 1620, 1651, 1675, 1679, 1682, 1693, 1695	0504410	8200127308	RENAULT	1181, 1188- 1189
0504378	1K0505465L	AUDI	33, 45, 90, 100	0504412	48820-20010	TOYOTA	1472, 1480
				0504413	48830-20010	TOYOTA	1465, 1471-

RIF. OCAP OCAP REF.	RIF. ORIG. O.E. NUMBER	MARCA MAKE	PAG.	RIF. OCAP OCAP REF.	RIF. ORIG. O.E. NUMBER	MARCA MAKE	PAG.
			1472, 1480-1481	0505165	33556777635	BMW	173, 183, 195
0504413	48830-32010	TOYOTA	1465, 1471-1472, 1480-1481	0505167	13258052	OPEL	1023, 1038, 1070
0504415	48830-12060	TOYOTA	1482	0505167	13258058	OPEL	1023, 1038, 1070
0504416	48820-02010	TOYOTA	1466, 1472, 1481, 1524	0505167	350618	OPEL	1023, 1038, 1070
0504416	48820-33010	TOYOTA	1466, 1472, 1481, 1524	0505167	350618	SAAB	1303
0504417	48820-20021	TOYOTA	1482	0505168	13219141	CHEVROLET - DAEWOO	221, 231
0504421	48820-42010	TOYOTA	1524	0505168	13219141	OPEL	1023, 1038, 1070
0504433	B26R-34-170	MAZDA	720, 743	0505168	13219141	SAAB	1303
0504439	BC1D-28-170	MAZDA	719, 746	0505168	350614	CHEVROLET - DAEWOO	221, 231
0504439	BC1D-28-170A	MAZDA	719, 746	0505168	350617	OPEL	1023, 1038, 1070
0504439	EC01-34-150	MAZDA	719, 746	0505168	350617	SAAB	1303
0504439	EC01-34-150A	MAZDA	719, 746	0505168	90498745	CHEVROLET - DAEWOO	221, 231
0504439	EC01-34-150F	MAZDA	719, 746	0505169	4804642	CHEVROLET - DAEWOO	220
0504439	YL8Z-5K-483-AA	MAZDA	719, 746	0505169	4804642	OPEL	1011
0504440	EA03-34-170A	MAZDA	734, 737	0505169	4817539	OPEL	1011
0504441	EA01-28-170	MAZDA	737	0505169	96626150	CHEVROLET - DAEWOO	220
0504441	EA01-28-170D	MAZDA	737	0505169	96626150	OPEL	1011
0504442	NA01-34-170	MAZDA	738	0505169	96996460	CHEVROLET - DAEWOO	220
0504456	54830-25000	HYUNDAI	540	0505169	96996460	OPEL	1011
0504456	55830-25000	HYUNDAI	540	0505170	1328172	SAAB	1304
0504456-K	54830-25000 *	HYUNDAI	540	0505170	13281792	OPEL	1038
0504456-K	55830-25000 *	HYUNDAI	540	0505170	444081	OPEL	1038
0504459	54820-02000	HYUNDAI	542	0505170	444081	SAAB	1304
0504464	1693200989	MERCEDES	758	0505178	20481AA000	SUBARU	1411
0504464	1693201389	MERCEDES	758	0505178	20481AA001	SUBARU	1411
0504470	MR-131680	MITSUBISHI	869, 871	0505185	48650-20020	TOYOTA	1458
0504470	MR-272116	MITSUBISHI	869, 871	0505338	50515276	ALFA ROMEO	25, 28
0504471	MR-272117	MITSUBISHI	870	0505338	50515276	FIAT	383, 416
0504480	30884179	VOLVO	1720	0505339	4513200189	SMART	1400
0504494	20420-AJ000	SUBARU	1419	0505347	RBM000011	LAND ROVER	689
0504495	46630-60B10	SUZUKI	1435	0505347	RBM500200	LAND ROVER	689
0504530	96207628	CHEVROLET - DAEWOO	226	0505348	RGD000180	LAND ROVER	689
0504532	90112-SE0-000	HONDA	503, 512-513	0505348	RGD500100	LAND ROVER	689
0504538	51320-SP0-003	HONDA	529	0505348	RGD500180	LAND ROVER	689
0504551	56260-VB010	NISSAN	962	0505349	RGD000131	LAND ROVER	689
0504552	56260-VC300	NISSAN	962	0505349	RGD500150	LAND ROVER	689
0504553	56260-VC310	NISSAN	962	0505493	96639910	CHEVROLET - DAEWOO	222
0504563	48830-60030	TOYOTA	1514	0505496	54830-3Z000	HYUNDAI	556
0504565	48820-24010	TOYOTA	1473, 1531	0505499	48830-32040	LEXUS	703
0504569	55530-4D000	KIA	618	0505500	48830-30080	LEXUS	699
0504581	OK72A-34-150A	KIA	630	0505554	MB-598098	MITSUBISHI	907
0504586	B029-34-159	MAZDA	717-718	0505555	02875013	CHEVROLET - DAEWOO	223
0504587	8AG1-28-100A	MAZDA	718, 724-725	0505555	02875013	OPEL	1041-1043
0504596	4056A161	MITSUBISHI	875, 887	0505555	1603148	CHEVROLET - DAEWOO	223
0504596	MB-241974	MITSUBISHI	875, 887	0505555	1603148	OPEL	1041-1043
0504596	MR-241349	MITSUBISHI	875, 887	0505555	90009367	CHEVROLET - DAEWOO	223
0504596	MR-392730	MITSUBISHI	875, 887	0505555	90009367	OPEL	1041-1043
0504596	MR-954887	MITSUBISHI	875, 887	0505555	96129839	CHEVROLET - DAEWOO	223
0504596	MR-954888	MITSUBISHI	875, 887	0505555	96129839	OPEL	1041-1043
0504597	MB-633926	MITSUBISHI	907	0505556	32106787472	BMW	203
0504597	MB-831039	MITSUBISHI	907	0505557	33556790324	BMW	204
0504601	7701464015	RENAULT	1249	0505558	1704630115	MERCEDES	834
0504609	31356777319	BMW	172, 177, 182, 194	0505559	1713230017	MERCEDES	836
0504623	54618-01G00	NISSAN	964, 968	0505567	48820-0K010	TOYOTA	1506
0504624	54618-02E00	NISSAN	966, 968	0505571	8-97944-575-0	ISUZU	580
0504631	56261-0E000	NISSAN	977	0505578	20470-AJ010	SUBARU	1413
0504632	56261-AV610	NISSAN	977	0505578	20470-SC000	SUBARU	1413
0505014	311415802	VOLKSWAGEN	1709, 1714	0505585	F151-28-170	MAZDA	741
0505160	55250-3Z000	HYUNDAI	556	0505586	0223-28-776 *	MAZDA	732
0505163	37106775189	BMW	173, 183, 195	0505586	3754149 *	FORD	476

RIF. OCAP OCAP REF.	RIF. ORIG. O.E. NUMBER	MARCA MAKE	PAG.	RIF. OCAP OCAP REF.	RIF. ORIG. O.E. NUMBER	MARCA MAKE	PAG.
0505586	4134805 *	FORD	476	0505770	4533200089	RENAULT	1273
0505586	4180663 *	FORD	476	0505770	4533200089	SMART	1401, 1403
0505586	9YA00-1002 *	MAZDA	732	0505770	546181179R	RENAULT	1273
0505586	UH71-34-152 *	MAZDA	732	0505770	546181179R	SMART	1401, 1403
0505590	46630-59J00	SUZUKI	1432	0505775	LR024474	LAND ROVER	682, 692
0505592	4766866AA	CHRYSLER	241	0505776	97034306901	PORSCHE	1177
0505593	95947829	CHEVROLET - DAEWOO	232	0505776	97034306902	PORSCHE	1177
0505594	42342547	CHEVROLET - DAEWOO	219	0505776	97034306903	PORSCHE	1177
0505594	95299172	CHEVROLET - DAEWOO	219	0505777	97034306921	PORSCHE	1177
0505594	95465758	CHEVROLET - DAEWOO	219	0505777	97034306922	PORSCHE	1177
0505594	95941670	CHEVROLET - DAEWOO	219	0505777	97034306923	PORSCHE	1177
0505691	RGD500140	LAND ROVER	694	0505778	97033306903	PORSCHE	1177
0505737	508734 *	CITROEN	248, 250-251, 308, 310-311, 315	0505778	97033306905	PORSCHE	1177
0505737	508734 *	PEUGEOT	1082, 1084, 1115	0505780	95B505465	PORSCHE	1175
0505737	508739 *	CITROEN	248, 250-251, 308, 310-311, 315	0506491	4462153	FORD	463
0505737	508739 *	PEUGEOT	1082, 1084, 1115	0506494-K	1502681	FORD	460, 462
0505737	508746 *	CITROEN	248, 250-251, 308, 310-311, 315	0506590	11200454-0	NISSAN	927
0505737	508746 *	PEUGEOT	1082, 1084, 1115	0506590	112004540	NISSAN	927
0505737	508746 *	CITROEN	248, 250-251, 308, 310-311, 315	0506590	485109X100	NISSAN	927
0505737	508746 *	PEUGEOT	1082, 1084, 1115	0506590	485109X101	NISSAN	927
0505737	508761 *	CITROEN	248, 250-251, 308, 310-311, 315	0506590	48510D8600	NISSAN	927
0505737	508761 *	PEUGEOT	1082, 1084, 1115	0506590	48510LA20A	NISSAN	927
0505738	55530-3R000	HYUNDAI	555	0507251	360-500427	RENAULT	1180
0505738	55530-3R000	KIA	620	0507653	6693300403	MERCEDES	852
0505738	55540-3R000	HYUNDAI	555	0507653	6703300003	MERCEDES	852
0505738	55540-3R000	KIA	620	0507653	6703300103	MERCEDES	852
0505741	5087.76	PEUGEOT	1141	0507653	6703300203	MERCEDES	852
0505741	508776	PEUGEOT	1141	0507653	6703300303	MERCEDES	852
0505742	2463200089	MERCEDES	759, 778	0508054	542180020	LDV	697
0505742	2463200689	MERCEDES	759, 778	0508063	51320-STK-A01	HONDA	522-523
0505743	2463200489	MERCEDES	760, 778	0508065	4540108000	SSANGYONG	1409
0505743	2463200789	MERCEDES	760, 778	0508066	4475008000	SSANGYONG	1409
0505746	2H0411317	VOLKSWAGEN	1572	0508069	1701466	FORD	450
0505747	2H0411317B	VOLKSWAGEN	1572	0508069	1714891	FORD	450
0505748	5Q0505465A	AUDI	48	0508069	1767896	FORD	450
0505748	5Q0505465A	SEAT	1320, 1349	0508069	1814315	FORD	450
0505748	5Q0505465A	SKODA	1370, 1372, 1382, 1395	0508070	1500682	FORD	450
0505748	5Q0505465A	VOLKSWAGEN	1615, 1653, 1684, 1697	0508070	1719542	FORD	450
0505748	5Q0505465C	AUDI	48	0508071	54618-BA60A	NISSAN	940, 983
0505748	5Q0505465C	SEAT	1320, 1349	0508071	54618-BA60A	RENAULT	1196
0505748	5Q0505465C	SKODA	1370, 1372, 1382, 1395	0508071	54618-CY00A	NISSAN	940, 983
0505748	5Q0505465C	VOLKSWAGEN	1615, 1653, 1684, 1697	0508071	54618-CY00A	RENAULT	1196
0505752	51939949	FIAT	397, 417	0508071	54618-EN000	NISSAN	940, 983
0505752	51939949	JEEP	610	0508071	54618-EN000	RENAULT	1196
0505753	51977024	FIAT	418	0508071	54618-ET00A	NISSAN	940, 983
0505753	51977024	JEEP	611	0508071	54618-ET00A	RENAULT	1196
0505754	51942168	FIAT	418	0508077	4156A014	CITROEN	266, 285
0505754	51942168	JEEP	611	0508077	4156A014	NISSAN	867, 889, 902, 904
0505756	4766962AA	FIAT	366	0508077	4156A014	PEUGEOT	1153, 1155
0505756	K04766962AA	FIAT	366	0508077	508758	CITROEN	266, 285
0505757	68052655AA	FIAT	366	0508077	508758	NISSAN	867, 889, 902, 904
0505757	K68052655AA	FIAT	366	0508077	508758	PEUGEOT	1153, 1155
0505760	48822-97503	DAIHATSU	337	0508083	8K0505465E	AUDI	75, 77, 85, 93
				0508083	8K0505465G	AUDI	75, 77, 85, 93
				0508085	31306792211	BMW	134, 155, 157
				0508092	54830-2S000	HYUNDAI	558
				0508092	54830-2S000	KIA	643
				0508092	54830-2S200	HYUNDAI	558
				0508092	54830-2S200	KIA	643
				0508093	55530-2S100	HYUNDAI	558
				0508093	55530-2S100	KIA	643
				0508096	GS1D-28-170	MAZDA	722
				0508505	546182227R	RENAULT	1194, 1221,

RIF. OCAP OCAP REF.	RIF. ORIG. O.E. NUMBER	MARCA MAKE	PAG.	RIF. OCAP OCAP REF.	RIF. ORIG. O.E. NUMBER	MARCA MAKE	PAG.
			1258	0509411	48510LA21D	NISSAN	935
0508505	546187005R	RENAULT	1194, 1221, 1258	0580112	322143	OPEL	1053
				0580112	322174	OPEL	1053
0508507	31306862863	MINI	861	0580112	322174	VAUXHALL	1548
0508511	33506862865	BMW	136, 200	0580112	90334028	VAUXHALL	1548
0508511	33506862865	MINI	862, 865	0580154	7701467272	RENAULT	1182
0508519	54618-9X50A	NISSAN	935	0580201	1H0419804	VOLKSWAGEN	1596
0508519	54618-F3900	NISSAN	935	0580202	1H0422804	SEAT	1355
0508519	54618-F3901	NISSAN	935	0580202	1H0422804	VOLKSWAGEN	1596, 1599
0508528	31306861483	BMW	175	0580202	1H0422804A	SEAT	1355
0508532	33506861482	BMW	175	0580202	1H0422804A	VOLKSWAGEN	1596, 1599
0508533	31306862864	BMW	135, 199	0580202	1H0422804A	VOLKSWAGEN	1596, 1599
0508533	31306862864	MINI	865	0580213	1H0422804B	VOLKSWAGEN	1596
0508538	546180002R *	RENAULT	1195, 1219, 1257	0580215	357419804	VOLKSWAGEN	1636
				0580216	357422804	VOLKSWAGEN	1636, 1639
0508538	546180009R *	RENAULT	1195, 1219, 1257	0580216	3A0422804C	VOLKSWAGEN	1639
				0580224	357422804A	VOLKSWAGEN	1636
0508676	1030603-00-B	TESLA	1453	0580285	6N0419804	SEAT	1313
0508678	6007100-00-A	TESLA	1453	0580285	6N0419804	VOLKSWAGEN	1659
0508682	546182227R *	RENAULT	1194, 1221, 1258	0580286	6N0422804	VOLKSWAGEN	1659
				0580311	3812-86	PEUGEOT	1089
0508682	546187005R *	RENAULT	1194, 1221, 1258	0580311	381286	PEUGEOT	1089
				0580316	381288	PEUGEOT	1089
0508684	96561754	CHEVROLET - DAEWOO 230		0580330	60608980	ALFA ROMEO	1
0508685	96561754	CHEVROLET - DAEWOO 230		0580353	3416130	VOLVO	1741
0508846	4473200489	MERCEDES	850	0580353	3467714	VOLVO	1741
0508847	6393260216	MERCEDES	848, 850	0580353	8416130	VOLVO	1741
0508847	6393260616	MERCEDES	848, 850	0580369	7701467219	RENAULT	1270
0508858	8W0505465B	AUDI	63	0580374	32111139316	BMW	142, 212
0508868	LR035489	LAND ROVER	691, 696	0580375	32111139318	BMW	142
0508881	4420954	NISSAN	956	0580380	3074198021	VOLKSWAGEN	1586, 1590
0508881	4420954	OPEL	1052	0580418	381280	CITROEN	305
0508881	4420954	RENAULT	1212	0580418	381280	PEUGEOT	1144
0508881	551100020R	NISSAN	956	0580419	6K0422804	SEAT	1326
0508881	551100020R	OPEL	1052	0580419	6K0422804	VOLKSWAGEN	1578
0508881	551100020R	RENAULT	1212	0580419	6K0422804A	SEAT	1326
0508881	56261-00Q0B	NISSAN	956	0580419	6K0422804A	VOLKSWAGEN	1578
0508881	56261-00Q0B	OPEL	1052	0580530	861419802	VOLKSWAGEN	1656
0508881	56261-00Q0B	RENAULT	1212	0580530	861419802A	AUDI	102
0508883	5182780	FORD	455, 472	0580530	861419802A	VOLKSWAGEN	1656
0508884	5282207	FORD	456	0580531	861419802	VOLKSWAGEN	1656
0508884	5295981	FORD	456	0580531	862419802	AUDI	102
0508885	5182818	FORD	472	0580532	872419802A	VOLKSWAGEN	1658
0508890	50543482	ALFA ROMEO	24, 30	0580612	5445860	CITROEN	287
0508890	52543786	ALFA ROMEO	24, 30	0580618	2L5462708A	CITROEN	282
0508893	50543807	ALFA ROMEO	24, 30	0580618	5462708	CITROEN	282
0508893	50548354	ALFA ROMEO	24, 30	0580624	3L5429404L	CITROEN	283
0509228	51320-ST7-003	HONDA	514	0580625	3L5491489	CITROEN	283-284
0509236	54618-47B00	NISSAN	948	0580625	75492570	CITROEN	283-284
0509236	54618-47B01	NISSAN	948	0580678	7701467237	RENAULT	1242
0509236	54618-47B0A	NISSAN	948	0580678	7701467238	RENAULT	1242
0509262	05174185AA	JEEP	605-606	0580679	7701467237	RENAULT	1240
0509262	05174185AB	JEEP	605-606	0580870	871419802	VOLKSWAGEN	1658
0509262	05174185AC	JEEP	605-606	0580941	7700633747	RENAULT	1244
0509262	52125295AC	JEEP	605-606	0581021	32111091768	BMW	164
0509265	52088319AB	JEEP	608	0581021	32111093770	BMW	164
0509272	48820-22041	LEXUS	700	0581021	32111094674	BMW	164
0509281	52320-SED-003	HONDA	508	0581023	31351091856	BMW	165
0509282	48830-51010	LEXUS	701	0581023	31351095662	BMW	165
0509283	48830-30090	LEXUS	702	0581058	6X0422804	SEAT	1315
0509411	48510-F3900	NISSAN	935	0581058	6X0422804	VOLKSWAGEN	1626, 1660
0509411	48510F3900	NISSAN	935	0581060	6X0419804A	SEAT	1315
0509411	48510-F3901	NISSAN	935	0581060	6X0419804A	VOLKSWAGEN	1626, 1659
0509411	48510F3901	NISSAN	935	0581130	3812-50	PEUGEOT	1112, 1128
0509411	48510-LA21D	NISSAN	935	0581130	381250	PEUGEOT	1112, 1128
				0581194	7700630016	RENAULT	1246

RIF. OCAP OCAP REF.	RIF. ORIG. O.E. NUMBER	MARCA MAKE	PAG.	RIF. OCAP OCAP REF.	RIF. ORIG. O.E. NUMBER	MARCA MAKE	PAG.
0581201	191419804	SEAT	1326	0581897	6K0422804B	SEAT	1329
0581201	191419804	VOLKSWAGEN	1593	0581897	6K0422804B	VOLKSWAGEN	1663
0581201	191419804A	SEAT	1326	0581897	6K0422804E	SEAT	1329
0581201	191419804A	VOLKSWAGEN	1593	0581897	6K0422804E	VOLKSWAGEN	1663
0581281	60612435	ALFA ROMEO	27	0581902	8D0411318D	AUDI	51, 67, 71
0581356	60628295	ALFA ROMEO	17	0581902	8D0411318D	SKODA	1390
0581357	60628255	ALFA ROMEO	17	0581902	8D0411318D	VOLKSWAGEN	1642, 1646
0581381	8N0422804A	AUDI	97	0581907	6383230368	MERCEDES	846
0581381	8N0422804C	AUDI	97	0581922	48810-20040	TOYOTA	1458, 1471, 1520
0581383	32106777504	BMW	145, 214	0581922	48820-05012	TOYOTA	1458, 1471, 1520
0581383	32111096898	BMW	145, 214	0581922	48820-20040	TOYOTA	1458, 1471, 1520
0581383	32211095956	BMW	145, 214	0581936	51320-S84-A01	HONDA	506
0581383	32211096898	BMW	145, 214	0581943	51320-S2H-003	HONDA	524
0581386	1J0411316D	AUDI	40, 97	0581973	0K2N1-34-150A	KIA	636
0581386	1J0411316D	SEAT	1342	0581993	0K011-32-290A	KIA	641
0581386	1J0411316D	SKODA	1375	0582006	4A0505389	AUDI	65, 124
0581386	1J0411316D	VOLKSWAGEN	1576, 1603	0582007	443505352P	AUDI	65, 101, 122, 124
0581405	701419804C	VOLKSWAGEN	1701	0582008	893419802	AUDI	87, 110, 113, 115
0581406	702419804A	VOLKSWAGEN	1701	0582015	811419802J	AUDI	106, 108
0581407	701419804D	VOLKSWAGEN	1701	0582015	811419802J	VOLKSWAGEN	1633, 1635
0581411	701419804E	VOLKSWAGEN	1703	0582039	32111125187	BMW	139
0581412	702419804C	VOLKSWAGEN	1703	0582086	4D0505548C	AUDI	79, 81, 83
0581413	701419804F	VOLKSWAGEN	1703	0582086	4D0505548C	VOLKSWAGEN	1655
0581418	322160	OPEL	1055	0582086	4E0505548A	AUDI	79, 81, 83
0581418	322160	VAUXHALL	1563	0582086	4E0505548A	VOLKSWAGEN	1655
0581418	322168	OPEL	1055	0582086	4E0505548B	AUDI	79, 81, 83
0581418	322168	VAUXHALL	1563	0582086	4E0505548B	VOLKSWAGEN	1655
0581470	2110-3414052	LADA	650	0582099	8A0505466C	AUDI	51, 88, 116
0581472	111803414052	LADA	645	0582123	32106765236	BMW	130, 150, 216
0581473	211003414052	LADA	647	0582128	31356768772	BMW	152, 197
0581473	21100341405210	LADA	647	0582134	444288	OPEL	1056
0581473	2110-3414052	LADA	647	0582145	50704362	ALFA ROMEO	13
0581514	2D0411052	VOLKSWAGEN	1625	0582145	50706991	ALFA ROMEO	13
0581514	9013200389	MERCEDES	841	0582146	50515275	ALFA ROMEO	25
0581567	54840-2C000	HYUNDAI	544	0582147	50706474	ALFA ROMEO	13
0581581	54840-3A000	HYUNDAI	574	0582147	50706475	ALFA ROMEO	13
0581586	0K33C-34-150A	KIA	632	0582147	51795704	ALFA ROMEO	13
0581599	54618-1C100	NISSAN	985	0582147	51795706	ALFA ROMEO	13
0581599	54618-1C101	NISSAN	985	0582179	1403201289	MERCEDES	819
0581599	54618-9C002	NISSAN	985	0582213	32211701040	BMW	139
0581651	1243302003	MERCEDES	783, 828	0582282	8Z0419804A	AUDI	36
0581651	1293300203	MERCEDES	783, 828	0582283	8Z0423804G	AUDI	36
0581651	1293300303	MERCEDES	783, 828	0582287	32106768880	BMW	151, 197
0581657	1607323680	PEUGEOT	1147	0582287	32106793622	BMW	151, 197
0581657	517822	PEUGEOT	1145, 1149	0582293	48820-33020	LEXUS	703
0581657	517831	PEUGEOT	1145, 1149	0582293	48820-33020	TOYOTA	1466
0581657	517844	PEUGEOT	1147	0582295	48820-20030	TOYOTA	1470
0581687	1243301503	MERCEDES	782	0582316	6Q0423804F	SKODA	1385
0581754	MB-808076	MITSUBISHI	914, 919-920	0582316	6Q0423804F	VOLKSWAGEN	1587
0581793	2033200889	MERCEDES	770	0582362	31354014576	BMW	179
0581802	8Z0423804C	AUDI	36	0582362	31356769664	BMW	179
0581802	8Z0423804F	AUDI	36	0582372	2303200689	MERCEDES	832
0581813	RGD100561	ROVER GROUP	1293	0582391	32106777522	MINI	856
0581815	QFK100083	LAND ROVER	683	0582391	32116761558	MINI	856
0581815	QFK100085	LAND ROVER	683	0582433	508755	CITROEN	260-261, 286
0581850	6Q0423804B	SEAT	1331	0582433	508755	PEUGEOT	1100, 1103, 1105
0581850	6Q0423804B	SKODA	1360	0582433	508755	PEUGEOT	1100, 1103, 1105
0581850	6Q0423804B	VOLKSWAGEN	1665	0582433	508768	CITROEN	260-261, 286
0581864	32116754564	MINI	856	0582433	508768	PEUGEOT	1100, 1103, 1105
0581874	31356750704	BMW	206	0582457	48821-B1010	DAIHATSU	335
0581886	6025370494	RENAULT	1179, 1192				
0581893	8E0411318	AUDI	53, 56				
0581893	8E0411318	SEAT	1322				

RIF. OCAP OCAP REF.	RIF. ORIG. O.E. NUMBER	MARCA MAKE	PAG.	RIF. OCAP OCAP REF.	RIF. ORIG. O.E. NUMBER	MARCA MAKE	PAG.
0582457	48821-B1010	SUBARU	1417	0583043	1020496	FORD	451
0582462	31306781550	BMW	169	0583043	1020496	SEAT	1307
0582462	31356768084	BMW	169	0583043	1020496	VOLKSWAGEN	1676
0582463	31356751080	BMW	146	0583043	1092376	FORD	451
0582474	54811-3E060	KIA	637	0583043	1092376	SEAT	1307
0582477	52320-S2H-003	HONDA	524	0583043	1092376	VOLKSWAGEN	1676
0582481	52320-S7A-003	HONDA	537	0583043	1233553	FORD	451
0582544	322146 *	OPEL	1015	0583043	1233553	SEAT	1307
0582544	322146 *	SAAB	1298	0583043	1233553	VOLKSWAGEN	1676
0582544	322146 *	VAUXHALL	1542	0583043	7M0422804F	FORD	451
0582544	324056 *	OPEL	1015	0583043	7M0422804F	SEAT	1307
0582544	324056 *	SAAB	1298	0583043	7M0422804F	VOLKSWAGEN	1676
0582544	324056 *	VAUXHALL	1542	0583043	7M0422804G	FORD	451
0582544	4242756 *	OPEL	1015	0583043	7M0422804G	SEAT	1307
0582544	4242756 *	SAAB	1298	0583043	7M0422804G	VOLKSWAGEN	1676
0582544	4242756 *	VAUXHALL	1542	0583043	7M3422804	FORD	451
0582553	54840-2F000	KIA	621	0583043	7M3422804	SEAT	1307
0582568	MB-267876	MITSUBISHI	909	0583043	7M3422804	VOLKSWAGEN	1676
0582568	MR-374522	MITSUBISHI	909	0583055	99334703181	PORSCHE	1161
0582569	MR-418053	MITSUBISHI	909, 911	0583066	ANR3825	LAND ROVER	688
0582571	MR-132552	MITSUBISHI	907	0583066	QHG000070	LAND ROVER	688
0582571	MR-267877	MITSUBISHI	907	0583072	1J0422804A	VOLKSWAGEN	1601
0582592	48830-21020	TOYOTA	1459	0583085	1J0422804B	AUDI	39
0582602	675296	VOLVO	1735	0583085	1J0422804B	SEAT	1340
0582603	678932	VOLVO	1735	0583085	1J0422804B	SKODA	1373
0582615	32106778548	MINI	859	0583085	1J0422804B	VOLKSWAGEN	1575, 1601, 1629
0582627	48820-60010	TOYOTA	1509	0583085	1J0422804E	AUDI	39
0582642	51320-S2A-003	HONDA	538	0583085	1J0422804E	SEAT	1340
0582696	2213200289	MERCEDES	825	0583085	1J0422804E	SKODA	1373
0582712	2213202289	MERCEDES	826	0583085	1J0422804E	VOLKSWAGEN	1575, 1601, 1629
0582743	2E0411318C	VOLKSWAGEN	1583	0583085	1J0422804H	AUDI	39
0582743	9063201889	MERCEDES	842	0583085	1J0422804H	SEAT	1340
0582764	55540-26600	HYUNDAI	564	0583085	1J0422804H	SKODA	1373
0582764	55540-26700	HYUNDAI	564	0583085	1J0422804H	VOLKSWAGEN	1575, 1601, 1629
0582772	54840-1E000	HYUNDAI	541	0583103	48820-26030	TOYOTA	1499
0582772	54840-1E000	KIA	633	0583125	54618-1AA0A	NISSAN	952, 981, 1006
0582772	54840-1G000	HYUNDAI	541	0583125	54618-1AA0A	RENAULT	1202
0582772	54840-1G000	KIA	633	0583125	54618-1AA0E	NISSAN	952, 981, 1006
0582774	55580-3E050	KIA	638	0583125	54618-1AA0E	RENAULT	1202
0582784	48830-42010	TOYOTA	1525	0583125	54618-JD00A	NISSAN	952, 981, 1006
0582794	54840-07000	HYUNDAI	550-551	0583125	54618-JD00A	RENAULT	1202
0582794	54840-07000	KIA	627	0583200	191422804	SEAT	1326
0582794	54840-0X000	HYUNDAI	550-551	0583200	191422804	VOLKSWAGEN	1593
0582794	54840-0X000	KIA	627	0583200	191422804A	SEAT	1326
0582794	54840-0X500	HYUNDAI	550-551	0583200	191422804A	VOLKSWAGEN	1593
0582794	54840-0X501	HYUNDAI	550-551	0583202	7701468953	RENAULT	1213
0582794	54840-0X501	KIA	627	0583221	2043201889	MERCEDES	771
0582794	54840-B4000	HYUNDAI	550-551	0583221	2043203889	MERCEDES	771
0582794	54840-B4000	KIA	627	0583224	2043200489	MERCEDES	773, 797, 803
0582802	NC10-34-150	MAZDA	739	0583227	2043202289	MERCEDES	771, 802
0582817	54823-H1000	HYUNDAI	573	0583235	31356773024	BMW	209
0582824	54618-4U000	NISSAN	926	0583235	31356857624	BMW	209
0582912	191422804C	VOLKSWAGEN	1593	0583235	31356859652	BMW	209
0583004	433419802E	AUDI	119, 121	0583245	99734307000	PORSCHE	1163, 1169
0583004	443419802A	AUDI	119, 121	0583245	99734307001	PORSCHE	1163, 1169
0583004	443419802B	AUDI	119, 121	0583245	99734307002	PORSCHE	1163, 1169
0583004	443419802E	AUDI	119, 121	0583245	99734307003	PORSCHE	1163, 1169
0583014	7701467502	RENAULT	1203	0583245	99734307004	PORSCHE	1163, 1169
0583018	7701466800	RENAULT	1253	0583246	99733307004	PORSCHE	1163
0583035	1J0422804	AUDI	39	0583246	99733307005	PORSCHE	1163
0583035	1J0422804	SKODA	1373	0583246	99733307006	PORSCHE	1163
0583043	1001396	FORD	451	0583248	99634307002	PORSCHE	1162, 1168
0583043	1001396	SEAT	1307				
0583043	1001396	VOLKSWAGEN	1676				

RIF. OCAP OCAP REF.	RIF. ORIG. O.E. NUMBER	MARCA MAKE	PAG.	RIF. OCAP OCAP REF.	RIF. ORIG. O.E. NUMBER	MARCA MAKE	PAG.
0583248	99634307003	PORSCHE	1162, 1168	0583848	31306781546	BMW	191
0583248	99634307004	PORSCHE	1162, 1168	0583848	31356753768	BMW	191
0583260	54830-FD000	KIA	632	0583848	31356778070	BMW	191
0583272	6N0422804C	SEAT	1315	0583874	3209408	VOLVO	1739
0583272	6N0422804C	VOLKSWAGEN	1626, 1660	0583884	6Q0423804E	SEAT	1331
0583274	33506785608	BMW	134, 155, 157, 198	0583884	6Q0423804E	SKODA	1361, 1364, 1385
0583283	51320-TA0-A01	HONDA	509	0583884	6Q0423804E	VOLKSWAGEN	1587, 1666
0583283	51320TA0A01	HONDA	509	0583884	6Q0423804P	SEAT	1331
0583284	52320-TA0-A01	HONDA	509	0583884	6Q0423804P	SKODA	1361, 1364, 1385
0583284	52320TA0A01	HONDA	509	0583884	6Q0423804P	VOLKSWAGEN	1587, 1666
0583291	52320-SNA-A01	HONDA	518	0583885	6Q0423804C	SEAT	1331
0583291	52320SNAA01	HONDA	518	0583885	6Q0423804C	SKODA	1360, 1385
0583472	MB-076002	MITSUBISHI	878	0583885	6Q0423804C	VOLKSWAGEN	1587, 1665
0583512	48510-A0600	NISSAN	930, 988, 1003	0583885	6Q0423804G	SEAT	1331
0583512	48510-U0100	NISSAN	930, 988, 1003	0583885	6Q0423804G	SKODA	1360, 1385
0583530	48510-R8000	NISSAN	934	0583885	6Q0423804G	VOLKSWAGEN	1587, 1665
0583530	48510-R8025	NISSAN	934	0583895	350608	ISUZU	586
0583530	48510-T3026	NISSAN	934	0583895	350608	OPEL	1034-1035
0583530	48510-T3060	NISSAN	934	0583895	350608	VAUXHALL	1558-1559
0583530	48510-T3065	NISSAN	934	0583895	5352020	ISUZU	586
0583545	48510-50W00	NISSAN	965	0583895	5352020	OPEL	1034-1035
0583564	48510-W5000	NISSAN	928, 989, 1004	0583895	5352020	VAUXHALL	1558-1559
0583564	48510-W5025	NISSAN	928, 989, 1004	0583895	8-97018-227-2	ISUZU	586
0583572	48510-H1025	NISSAN	987	0583895	8-97018-227-2	OPEL	1034-1035
0583572	48510-H5025	NISSAN	987	0583895	8-97018-227-2	VAUXHALL	1558-1559
0583581	48510-G2525	NISSAN	1001	0583895	97018227	ISUZU	586
0583581	48510-Y9500	NISSAN	1001	0583895	97018227	OPEL	1034-1035
0583686	45460-29085	TOYOTA	1487	0583895	97018227	VAUXHALL	1558-1559
0583776	45460-39065	TOYOTA	1500	0583895	97125013	ISUZU	586
0583801	F151-34-150	KIA	622	0583895	97125013	OPEL	1034-1035
0583801	F151-34-150	MAZDA	719, 724, 726- 727, 733, 740- 741, 747	0583895	97125013	VAUXHALL	1558-1559
0583801	GA2A-34-150	KIA	622	0583897	8200050191	RENAULT	1271
0583801	GA2A-34-150	MAZDA	719, 724, 726- 727, 733, 740- 741, 747	0584078	54840-1J000	HYUNDAI	552, 557
0583801	GA2A-34-150A	KIA	622	0584078	54840-1J000	KIA	629, 644
0583801	GA2A-34-150A	MAZDA	719, 724, 726- 727, 733, 740- 741, 747	0584084	54840-2B000	HYUNDAI	565
0583801	GD1E-34-150	KIA	622	0584084	54840-2B000	KIA	639
0583801	GD1E-34-150	MAZDA	719, 724, 726- 727, 733, 740- 741, 747	0584098	0K2FA-34150	KIA	615
0583812	4500199	NISSAN	939	0584101	381231 *	PEUGEOT	1110
0583812	4500199	OPEL	1050	0584101-K	381231	PEUGEOT	1110
0583812	4500199	RENAULT	1210	0584106	381232	CITROEN	277
0583812	4500199	VAUXHALL	1561	0584106	381232	PEUGEOT	1108, 1125
0583812	54618-00QAA	NISSAN	939	0584106	3812-35	CITROEN	277
0583812	54618-00QAA	OPEL	1050	0584106	3812-35	PEUGEOT	1108, 1125
0583812	54618-00QAA	RENAULT	1210	0584106	3812-37	CITROEN	277
0583812	54618-00QAA	VAUXHALL	1561	0584106	381237	CITROEN	277
0583812	7700307343	NISSAN	939	0584106	3812-37	PEUGEOT	1108, 1125
0583812	7700307343	OPEL	1050	0584106	381237	PEUGEOT	1108, 1125
0583812	7700307343	RENAULT	1210	0584106	381254	CITROEN	277
0583812	7700307343	VAUXHALL	1561	0584106	381254	PEUGEOT	1108, 1125
0583812	7700309071	NISSAN	939	0584106	9403812330	CITROEN	277
0583812	7700309071	OPEL	1050	0584106	9403812330	PEUGEOT	1108, 1125
0583812	7700309071	RENAULT	1210	0584127	MR-992310	MITSUBISHI	896
0583812	7700309071	VAUXHALL	1561	0584142	4056A134	MITSUBISHI	911
0583812	9160499	NISSAN	939	0584142	MR-992192	MITSUBISHI	911
0583812	9160499	OPEL	1050	0584163	6383230568	MERCEDES	846
0583812	9160499	RENAULT	1210	0584164	2103202289	MERCEDES	787
0583812	9160499	VAUXHALL	1561	0584164	2103203789	MERCEDES	787
0583812	9160499	NISSAN	939	0584215	31303413202	BMW	202
0583812	9160499	OPEL	1050	0584215	31303414300	BMW	202
0583812	9160499	RENAULT	1210	0584222	31306781548	BMW	169
0583812	9160499	VAUXHALL	1561	0584222	31354014532	BMW	169
0583812	9160499	NISSAN	939	0584222	31356760986	BMW	169
0583812	9160499	OPEL	1050	0584222	31356769500	BMW	169
0583812	9160499	RENAULT	1210				
0583812	9160499	VAUXHALL	1561				

RIF. OCAP OCAP REF.	RIF. ORIG. O.E. NUMBER	MARCA MAKE	PAG.	RIF. OCAP OCAP REF.	RIF. ORIG. O.E. NUMBER	MARCA MAKE	PAG.
0584229	32216762244	BMW	130, 150	0584529	96225859	CHEVROLET - DAEWOO 222, 226	
0584236	31356765934	BMW	131, 152, 216	0584531	52320-S84-A01	HONDA	506, 508
0584246	52320-S04-003	HONDA	515	0584546	51320-S2G-003	HONDA	531
0584251	96403100	CHEVROLET - DAEWOO 230		0584562	48820-0K030	TOYOTA	1506-1507, 1514
0584262	6393200189	MERCEDES	848	0584562	48820-0K040	TOYOTA	1506-1507, 1514
0584268	51320-S10-003	HONDA	520	0584562	48820-60050	TOYOTA	1506-1507, 1514
0584268	52320-S10-003	HONDA	520	0584568	54840-4D000	KIA	618
0584277	2303503606	MERCEDES	793, 832	0584604	32106784719	BMW	171, 176, 181, 193
0584278	2303502806	MERCEDES	793, 833	0584611	7701624286	RENAULT	1251
0584295	52320-S5T-J01	HONDA	516	0584618	54618-EA010	NISSAN	959
0584296	51320-S5A-003	HONDA	516, 521, 537	0584619	56261-EA500	NISSAN	959
0584297	52320-S5A-013	HONDA	516	0584633	55618-JD00A	NISSAN	982, 984, 1007
0584323	48820-28010	TOYOTA	1521	0584633	55618-JD00A	RENAULT	1197, 1202
0584325	7L0422804B	AUDI	94	0584633	55618-JY00B	NISSAN	982, 984, 1007
0584325	7L0422804B	PORSCHE	1170	0584633	55618-JY00B	RENAULT	1197, 1202
0584325	7L0422804B	VOLKSWAGEN	1571, 1688	0584643	54617-VW000	NISSAN	1000
0584325	7L0422804C	AUDI	94	0584649	4475209000	SSANGYONG	1404
0584325	7L0422804C	PORSCHE	1170	0585006	503509	FERRARI	338
0584325	7L0422804C	VOLKSWAGEN	1571, 1688	0585007	505051	FERRARI	338
0584325	7L0422804D	AUDI	94	0585008	505800	FERRARI	338
0584325	7L0422804D	PORSCHE	1170	0585068	542180024	LDV	697
0584325	7L0422804D	VOLKSWAGEN	1571, 1688	0585176	4475508000	SSANGYONG	1409
0584325	955347032020	PORSCHE	1170	0585179	46630-80F00	SUZUKI	1425, 1432
0584325	95534703220	PORSCHE	1170	0585196	54840-4H000	HYUNDAI	548
0584325	95534703221	PORSCHE	1170	0585196	54840-4H200	HYUNDAI	548
0584332	7L0505466A	AUDI	96	0585197	55540-4H000	HYUNDAI	548
0584332	7L0505466A	PORSCHE	1173	0585337	4806305	CHEVROLET - DAEWOO 220	
0584332	7L0505466A	VOLKSWAGEN	1687, 1689	0585337	4806305	OPEL	1011
0584332	7L0505466B	AUDI	96	0585337	4817515	CHEVROLET - DAEWOO 220	
0584332	7L0505466B	PORSCHE	1173	0585337	4817515	OPEL	1011
0584332	7L0505466B	VOLKSWAGEN	1687, 1689	0585337	96626248	CHEVROLET - DAEWOO 220	
0584332	7L0505466C	AUDI	96	0585337	96626248	OPEL	1011
0584332	7L0505466C	PORSCHE	1173	0585337	96996451	CHEVROLET - DAEWOO 220	
0584332	7L0505466C	VOLKSWAGEN	1687, 1689	0585337	96996451	OPEL	1011
0584332	7L0505466D	AUDI	96	0585340	32112228786	BMW	148
0584332	7L0505466D	PORSCHE	1173	0585341	6R0423804D	AUDI	31
0584332	7L0505466D	VOLKSWAGEN	1687, 1689	0585342	6R0423804	SEAT	1335
0584332	95533307010	AUDI	96	0585342	6R0423804	VOLKSWAGEN	1669
0584332	95533307010	PORSCHE	1173	0585342	6R0423804A	SEAT	1335
0584332	95533307010	VOLKSWAGEN	1687, 1689	0585342	6R0423804A	SKODA	1383
0584332	95533307011	AUDI	96	0585342	6R0423804A	VOLKSWAGEN	1669
0584332	95533307011	PORSCHE	1173	0585345	2123201289	MERCEDES	795
0584332	95533307011	VOLKSWAGEN	1687, 1689	0585496	55530-3Z000	HYUNDAI	556
0584332	95533307021	AUDI	96	0585496	55540-3Z000	HYUNDAI	556
0584332	95533307021	PORSCHE	1173	0585497	48820-53010	LEXUS	702
0584332	95533307021	VOLKSWAGEN	1687, 1689	0585498	48820-30090	LEXUS	702
0584333	7H0419804D	VOLKSWAGEN	1705	0585500	48820-30030	LEXUS	699
0584333	7H0419804E	VOLKSWAGEN	1705	0585500	48820-30040	LEXUS	699
0584362	52320-S9A-003	HONDA	521	0585556	31306787164	BMW	203
0584367	51320-SEA-E01	HONDA	507	0585560	32109803322	MINI	863
0584370	51320-SAA-J01	HONDA	526	0585560	32109808838	MINI	863
0584371	51320-SAA-003	HONDA	526	0585561	31359806352	MINI	863
0584389	508753	CITROEN	273, 275	0585570	8-97235-786-1	ISUZU	580
0584389	508753	PEUGEOT	1136, 1143	0585570	8-97944-568-0	ISUZU	580
0584391	54618-AU000	NISSAN	977	0585572	31509803516	MINI	864
0584432	GJ6A-34-150A	MAZDA	721	0585572	33509803516	MINI	864
0584455	54830-17020	HYUNDAI	540, 561	0585691	RBM500140	LAND ROVER	694
0584455	54830-25020	HYUNDAI	540, 561	0585739	56261-1AA0A	NISSAN	952
0584462	54840-1C000	HYUNDAI	546	0585740	551100011R	RENAULT	1207
0584466	54840-26000	HYUNDAI	564	0585745	350232	CHEVROLET - DAEWOO 235	
0584466	54840-26010	HYUNDAI	564	0585745	350232	OPEL	1048
0584513	54618-8H300	NISSAN	1005				

RIF. OCAP OCAP REF.	RIF. ORIG. O.E. NUMBER	MARCA MAKE	PAG.	RIF. OCAP OCAP REF.	RIF. ORIG. O.E. NUMBER	MARCA MAKE	PAG.
0585745	95942520	CHEVROLET - DAEWOO	235	0590201	1H0419803	VOLKSWAGEN	1596
0585745	95942520	OPEL	1048	0590202	1H0422803	SEAT	1355
0585771	2053230817	MERCEDES	775	0590202	1H0422803	VOLKSWAGEN	1596, 1599
0585772	2053260417	MERCEDES	776, 801	0590202	1H0422803A	SEAT	1355
0585784	1663200889	MERCEDES	809	0590202	1H0422803A	VOLKSWAGEN	1596, 1599
0585784	1663201200	MERCEDES	809	0590213	1H0422803B	VOLKSWAGEN	1596
0585800	39001004	OPEL	1024	0590215	357419803	VOLKSWAGEN	1636
0585800	39064481	OPEL	1024	0590215	357419803A	VOLKSWAGEN	1636
0586500	54618-CA000	NISSAN	951	0590216	357422803	VOLKSWAGEN	1636, 1639
0586500	54618-CA00E	NISSAN	951	0590216	3A0422803C	VOLKSWAGEN	1639
0587871	500383975	IVECO	590	0590224	357422803A	VOLKSWAGEN	1636
0588062	54618-CA010	NISSAN	951	0590285	6N0419803	SEAT	1313
0588064	52320-SWA-A01	HONDA	522-523	0590285	6N0419803	VOLKSWAGEN	1659
0588066	4475209000	SSANGYONG	1407, 1409	0590286	6N0422803	VOLKSWAGEN	1659
0588067	4575109000	SSANGYONG	1407, 1409	0590311	3812-85	PEUGEOT	1089
0588067	4575109001	SSANGYONG	1407, 1409	0590311	381285	PEUGEOT	1089
0588077	517849	CITROEN	266, 285	0590316	381287	PEUGEOT	1089
0588077	517849	MITSUBISHI	867, 889, 902, 904	0590330	60608979	ALFA ROMEO	1
0588077	517849	PEUGEOT	1153, 1155	0590353	3416129	VOLVO	1741
0588077	MN-184194	CITROEN	266, 285	0590353	3467713	VOLVO	1741
0588077	MN-184194	MITSUBISHI	867, 889, 902, 904	0590353	8416129	VOLVO	1741
0588077	MN-184194	PEUGEOT	1153, 1155	0590369	7701467218	RENAULT	1270
0588085	32106799965	BMW	133, 154, 156	0590374	32111139315	BMW	142, 212
0588086	31306792212	BMW	134, 155, 157	0590380	3074198011	VOLKSWAGEN	1586, 1590
0588094	54840-2K000	KIA	640	0590418	381281	CITROEN	305
0588095	GS1D-34-150	MAZDA	722	0590418	381281	PEUGEOT	1144
0588508	32106854736	MINI	861	0590419	6K0422803	SEAT	1326
0588524	32106868689	BMW	174	0590419	6K0422803	VOLKSWAGEN	1578
0588524	32106869537	BMW	174	0590419	6K0422803A	SEAT	1326
0588534	32106867405	BMW	135, 199	0590419	6K0422803A	VOLKSWAGEN	1578
0588534	32106867405	MINI	865	0590530	861419801C	AUDI	102
0588675	2N0411318A	MAN	705	0590530	861419801C	VOLKSWAGEN	1656
0588675	2N0411318A	VOLKSWAGEN	1585	0590530	861419801D	AUDI	102
0588675	65437180008	MAN	705	0590612	5445861	CITROEN	287
0588675	65437180008	VOLKSWAGEN	1585	0590618	2L5462707A	CITROEN	282
0588677	6008915-00-A	TESLA	1453	0590618	5462707	CITROEN	282
0588681	31356768772 *	BMW	152, 197	0590624	3L5429403A	CITROEN	283
0588845	4473200389	MERCEDES	850	0590625	3L5491487	CITROEN	283-284
0588849	4473200289	MERCEDES	850	0590625	75492569	CITROEN	283-284
0588869	LR033242	LAND ROVER	691	0590678	7701467236	RENAULT	1242
0588869	LR048092	LAND ROVER	691	0590679	7701467235	RENAULT	1240
0588872	LR042975	LAND ROVER	696	0590870	871419801A	VOLKSWAGEN	1658
0588879	6393201089	MERCEDES	848	0591021	32111091767	BMW	164
0589237	6Q0419804D	SKODA	1360	0591021	32111093769	BMW	164
0589237	6Q0419804D	VOLKSWAGEN	1665	0591021	32111094673	BMW	164
0589237	6Q0419804F	SKODA	1360	0591023	31351091855	BMW	165
0589237	6Q0419804F	VOLKSWAGEN	1665	0591023	31351095661	BMW	165
0589278	C2C-18571	JAGUAR	593, 595, 599, 602	0591058	6X0422803	SEAT	1315
0589278	C2C18571	JAGUAR	593, 595, 599, 602	0591058	6X0422803	VOLKSWAGEN	1626, 1660
0589278	XR8-1692	JAGUAR	593, 595, 599, 602	0591060	6X0419803A	SEAT	1315
0589278	XR81692	JAGUAR	593, 595, 599, 602	0591060	6X0419803A	VOLKSWAGEN	1626, 1659
0589278	XW4Z5C486AB	JAGUAR	593	0591130	3812-47	PEUGEOT	1112, 1128
0589279	4895482AA	CHRYSLER	241	0591130	381247	PEUGEOT	1112, 1128
0589279	4895482AB	CHRYSLER	241	0591194	7700622941	RENAULT	1246
0589297	31302284644	BMW	133, 154, 156	0591201	191419803	SEAT	1326
0590112	322142	OPEL	1053	0591201	191419803	VOLKSWAGEN	1593
0590112	322173	OPEL	1053	0591201	191419803A	SEAT	1326
0590112	322173	VAUXHALL	1548	0591201	191419803A	VOLKSWAGEN	1593
0590112	90334027	VAUXHALL	1548	0591281	60612436	ALFA ROMEO	27
0590154	7701467271	RENAULT	1182	0591356	60628294	ALFA ROMEO	17
				0591357	60628284	ALFA ROMEO	17
				0591381	8N0422803A	AUDI	97
				0591381	8N0422803C	AUDI	97
				0591383	32106777503	BMW	145, 214
				0591383	32111096897	BMW	145, 214

RIF. OCAP OCAP REF.	RIF. ORIG. O.E. NUMBER	MARCA MAKE	PAG.	RIF. OCAP OCAP REF.	RIF. ORIG. O.E. NUMBER	MARCA MAKE	PAG.
0591383	32211095955	BMW	145, 214	0591943	51321-S2H-003	HONDA	524
0591383	32211096897	BMW	145, 214	0591973	0K2N1-34-170A	KIA	636
0591386	1J0411315D	AUDI	40, 97	0591993	0K011-32-270A	KIA	641
0591386	1J0411315D	SEAT	1342	0592007	443505351P	AUDI	65, 101, 122, 124
0591386	1J0411315D	SKODA	1375	0592016	811419801C	AUDI	87, 106, 108, 110, 113, 115
0591386	1J0411315D	VOLKSWAGEN	1576, 1603	0592016	811419801C	VOLKSWAGEN	1633
0591405	701419803C	VOLKSWAGEN	1701	0592016	811419801E	AUDI	87, 106, 108, 110, 113, 115
0591406	702419803A	VOLKSWAGEN	1701	0592016	811419801E	VOLKSWAGEN	1633
0591407	701419803D	VOLKSWAGEN	1701	0592039	32111125186	BMW	139
0591411	701419803E	VOLKSWAGEN	1703	0592039	32211125186	BMW	139
0591412	702419803C	VOLKSWAGEN	1703	0592086	4D0505547C	AUDI	79, 81, 83
0591413	702419803D	VOLKSWAGEN	1703	0592086	4D0505547C	VOLKSWAGEN	1655
0591418	322169	OPEL	1055	0592086	4E0505547A	AUDI	79, 81, 83
0591418	322169	VAUXHALL	1563	0592086	4E0505547A	VOLKSWAGEN	1655
0591470	2110-3414053	LADA	650	0592086	4E0505547B	AUDI	79, 81, 83
0591472	111803414053	LADA	645	0592086	4E0505547B	VOLKSWAGEN	1655
0591473	21100341405210	LADA	647	0592099	8A0505465C	AUDI	51, 88, 116
0591473	2110-3414053	LADA	647	0592099	8D0505465	AUDI	51, 88, 116
0591473	21103414053	LADA	647	0592123	32106765235	BMW	130, 150, 216
0591514	2D0411051	VOLKSWAGEN	1625	0592128	31356768771	BMW	152, 197
0591514	9013200289	MERCEDES	841	0592134	444289	OPEL	1056
0591567	54830-2C000	HYUNDAI	544	0592145	50704361	ALFA ROMEO	13
0591581	54830-3A000	HYUNDAI	574	0592145	50706990	ALFA ROMEO	13
0591586	0K33C-34-160A	KIA	632	0592146	50515274	ALFA ROMEO	25
0591599	54618-9C000	NISSAN	985	0592147	50705702	ALFA ROMEO	13
0591599	54668-1C100	NISSAN	985	0592147	50706004	ALFA ROMEO	13
0591599	54668-1C101	NISSAN	985	0592147	51795703	ALFA ROMEO	13
0591599	54668-9C000	NISSAN	985	0592147	51795705	ALFA ROMEO	13
0591657	1607323580	PEUGEOT	1147	0592179	1403201189	MERCEDES	819
0591657	517821	PEUGEOT	1145, 1149, 1149	0592213	32211701039	BMW	139
0591657	517830	PEUGEOT	1145, 1149, 1149	0592282	8Z0419803A	AUDI	36
0591657	517843	PEUGEOT	1147	0592283	8Z0423803G	AUDI	36
0591687	1243301403	MERCEDES	782	0592287	32106768879	BMW	151, 197
0591754	MB-672370	MITSUBISHI	914, 919-920	0592287	32106793621	BMW	151, 197
0591793	2033200789	MERCEDES	770	0592293	48810-33010	LEXUS	703
0591802	8Z0423803C	AUDI	36	0592293	48810-33010	TOYOTA	1466
0591802	8Z0423803F	AUDI	36	0592295	48810-20010	TOYOTA	1470
0591813	RGD100571	ROVER GROUP	1293	0592316	6Q0423803F	SKODA	1385
0591815	QFK100093	LAND ROVER	683	0592316	6Q0423803F	VOLKSWAGEN	1587
0591815	QFK100095	LAND ROVER	683	0592362	31354014575	BMW	179
0591850	6Q0423803B	SEAT	1331	0592362	31356769663	BMW	179
0591850	6Q0423803B	SKODA	1360	0592372	2303200589	MERCEDES	832
0591850	6Q0423803B	VOLKSWAGEN	1665	0592391	32116761557	MINI	856
0591864	32116754563	MINI	856	0592391	32116777521	MINI	856
0591874	31356750703	BMW	206	0592433	508754	CITROEN	260-261, 286
0591886	6025370493	RENAULT	1179, 1192	0592433	508754	PEUGEOT	1100, 1103, 1105
0591893	8E0411317	AUDI	53, 56	0592433	508769	CITROEN	260-261, 286
0591893	8E0411317	SEAT	1322	0592433	508769	PEUGEOT	1100, 1103, 1105
0591897	6K0422803B	SEAT	1329	0592457	48831-B1010	DAIHATSU	335
0591897	6K0422803B	VOLKSWAGEN	1663	0592457	48831-B1010	SUBARU	1417
0591897	6K0422803E	SEAT	1329	0592462	31306781549	BMW	169
0591897	6K0422803E	VOLKSWAGEN	1663	0592462	31356768083	BMW	169
0591902	8D0411317D	AUDI	51, 67, 71	0592463	31356751079	BMW	146
0591902	8D0411317D	SKODA	1390	0592474	54811-3E010	KIA	637
0591902	8D0411317D	VOLKSWAGEN	1642, 1646	0592477	52321-S2H-003	HONDA	524
0591907	6383230268	MERCEDES	846	0592481	52321-S7A-003	HONDA	537
0591922	48810-05012	TOYOTA	1458, 1520	0592544	322147 *	OPEL	1015
0591922	48810-20020	TOYOTA	1458, 1520	0592544	322147 *	SAAB	1298
0591922	48820-20020	TOYOTA	1458, 1520	0592544	322147 *	VAUXHALL	1542
0591936	51321-S84-A01	HONDA	506	0592544	324055 *	OPEL	1015

RIF. OCAP OCAP REF.	RIF. ORIG. O.E. NUMBER	MARCA MAKE	PAG.	RIF. OCAP OCAP REF.	RIF. ORIG. O.E. NUMBER	MARCA MAKE	PAG.
0592544	324055 *	SAAB	1298	0593066	QHG000060	LAND ROVER	688
0592544	324055 *	VAUXHALL	1542	0593072	1J0422803A	VOLKSWAGEN	1601
0592544	4242749 *	OPEL	1015	0593085	1J0422803B	AUDI	39
0592544	4242749 *	SAAB	1298	0593085	1J0422803B	SEAT	1340
0592544	4242749 *	VAUXHALL	1542	0593085	1J0422803B	SKODA	1373
0592553	54830-2F000	KIA	621	0593085	1J0422803B	VOLKSWAGEN	1575, 1601, 1629
0592568	MB-267877	MINI	909	0593085	1J0422803E	AUDI	39
0592568	MR-374521	MINI	909	0593085	1J0422803E	SEAT	1340
0592569	MR-418052	MINI	909, 911	0593085	1J0422803E	SKODA	1373
0592571	MR-132551	MINI	907	0593085	1J0422803E	VOLKSWAGEN	1575, 1601, 1629
0592571	MR-267876	MINI	907	0593085	1J0422803H	AUDI	39
0592592	48840-21010	TOYOTA	1459	0593085	1J0422803H	SEAT	1340
0592602	675295	VOLVO	1735	0593085	1J0422803H	SKODA	1373
0592603	678931	VOLVO	1735	0593085	1J0422803H	VOLKSWAGEN	1575, 1601, 1629
0592615	32106778547	MINI	859	0593103	48810-26030	TOYOTA	1499
0592627	48810-60010	TOYOTA	1509	0593125	54668-1AA0A	NISSAN	952, 981, 1006
0592642	51321-S2A-003	HONDA	538	0593125	54668-1AA0A	RENAULT	1202
0592696	2213200189	MERCEDES	825	0593125	54668-1AA0E	NISSAN	952, 981, 1006
0592712	2213201989	MERCEDES	826	0593125	54668-1AA0E	RENAULT	1202
0592743	2E0411317C	VOLKSWAGEN	1583	0593125	54668-JD00A	NISSAN	952, 981, 1006
0592743	9063201789	MERCEDES	842	0593125	54668-JD00A	RENAULT	1202
0592764	55530-26600	HYUNDAI	564	0593125	54668-JD00A	NISSAN	952, 981, 1006
0592764	55530-26700	HYUNDAI	564	0593125	54668-JD00A	RENAULT	1202
0592772	54830-1G000	HYUNDAI	541	0593200	191422803	SEAT	1326
0592772	54830-1G000	KIA	633	0593200	191422803	VOLKSWAGEN	1593
0592774	55580-3E000	KIA	638	0593200	191422803A	SEAT	1326
0592784	48840-42010	TOYOTA	1525	0593200	191422803A	VOLKSWAGEN	1593
0592794	54830-07000	HYUNDAI	550-551	0593202	7701468952	RENAULT	1213
0592794	54830-07000	KIA	627	0593221	2043201789	MERCEDES	771
0592794	54830-0X000	HYUNDAI	550-551	0593221	2043203789	MERCEDES	771
0592794	54830-0X000	KIA	627	0593224	2043200589	MERCEDES	773, 797, 803
0592794	54830-0X500	HYUNDAI	550-551	0593227	2043200789	MERCEDES	771, 802
0592794	54830-0X500	KIA	627	0593235	31356773023	BMW	209
0592794	54830-0X501	HYUNDAI	550-551	0593235	31356857623	BMW	209
0592794	54830-0X501	KIA	627	0593235	31356859651	BMW	209
0592794	54830-B4000	HYUNDAI	550-551	0593245	99734306900	PORSCHE	1163, 1169
0592794	54830-B4000	KIA	627	0593245	99734306901	PORSCHE	1163, 1169
0592802	NC10-34-170	MAZDA	739	0593245	99734306902	PORSCHE	1163, 1169
0592817	54822-H1000	HYUNDAI	573	0593245	99734306903	PORSCHE	1163, 1169
0592824	54618-4U000	NISSAN	926	0593245	99734306904	PORSCHE	1163, 1169
0592912	191422803C	VOLKSWAGEN	1593	0593246	99733306904	PORSCHE	1163
0593004	433419801E	AUDI	119, 121	0593246	99733306905	PORSCHE	1163
0593004	443419801A	AUDI	119, 121	0593246	99733306906	PORSCHE	1163
0593004	443419801B	AUDI	119, 121	0593248	99634306902	PORSCHE	1162, 1168
0593004	443419801E	AUDI	119, 121	0593248	99634306903	PORSCHE	1162, 1168
0593014	7701467501	RENAULT	1203	0593248	99634306904	PORSCHE	1162, 1168
0593018	7701466799	RENAULT	1253	0593260	54820-FD000	KIA	632
0593035	1J0422803	AUDI	39	0593272	6N0422803C	SEAT	1315
0593035	1J0422803	SKODA	1373	0593272	6N0422803C	VOLKSWAGEN	1626, 1660
0593043	1001398	FORD	451	0593274	33506785607	BMW	134, 155, 157, 198
0593043	1001398	VOLKSWAGEN	1676	0593283	51325-TA0-A01	HONDA	509
0593043	1020497	FORD	451	0593283	51325TA0A01	HONDA	509
0593043	1020497	VOLKSWAGEN	1676	0593284	52325-TA0-A01	HONDA	509
0593043	1092382	FORD	451	0593284	52325TA0A01	HONDA	509
0593043	1092382	VOLKSWAGEN	1676	0593291	52321-SNA-A01	HONDA	518
0593043	1233552	FORD	451	0593291	52321SNAA01	HONDA	518
0593043	1233552	VOLKSWAGEN	1676	0593473	MB-076001	MINI	878
0593043	7M0422803F	SEAT	1307	0593512	48630-A0600	NISSAN	930, 988, 1003
0593043	7M0422803F	VOLKSWAGEN	1676	0593512	48630-U0100	NISSAN	930, 988, 1003
0593043	7M0422803G	SEAT	1307	0593530	48520-R8000	NISSAN	934
0593043	7M0422803G	VOLKSWAGEN	1676	0593530	48520-R8025	NISSAN	934
0593043	7M3422803	SEAT	1307	0593530	48520-T3026	NISSAN	934
0593043	7M3422803	VOLKSWAGEN	1676	0593530	48520-T3060	NISSAN	934
0593055	99334703103	PORSCHE	1161				
0593066	ANR3824	LAND ROVER	688				

RIF. OCAP OCAP REF.	RIF. ORIG. O.E. NUMBER	MARCA MAKE	PAG.	RIF. OCAP OCAP REF.	RIF. ORIG. O.E. NUMBER	MARCA MAKE	PAG.
0593530	48520-T3065	NISSAN	934	0593895	5352019	VAUXHALL	1558-1559
0593530	48630-R8025	NISSAN	934	0593895	8-97018-228-2	ISUZU	586
0593545	48630-50W00	NISSAN	965	0593895	8-97018-228-2	OPEL	1034-1035
0593564	48630-W5000	NISSAN	928, 989, 1004	0593895	8-97018-228-2	VAUXHALL	1558-1559
0593564	48630-W5025	NISSAN	928, 989, 1004	0593895	97018228	ISUZU	586
0593572	48560-H1025	NISSAN	987	0593895	97018228	OPEL	1034-1035
0593572	48630-H5025	NISSAN	987	0593895	97018228	VAUXHALL	1558-1559
0593581	48630-G2525	NISSAN	1001	0593895	97125014	ISUZU	586
0593581	48630-Y9500	NISSAN	1001	0593895	97125014	OPEL	1034-1035
0593686	45470-29046	TOYOTA	1487	0593895	97125014	VAUXHALL	1558-1559
0593776	45470-39035	TOYOTA	1500	0593897	8200040618	RENAULT	1271
0593801	GA2A-34-170	KIA	622	0593962	321419801G	VOLKSWAGEN	1635
0593801	GA2A-34-170	MAZDA	719, 724, 726-727, 733, 740-741, 747	0594078	54830-1J000	HYUNDAI	552, 557
0593801	GA2A-34-170A	KIA	622	0594078	54830-1J000	KIA	629, 644
0593801	GA2A-34-170A	MAZDA	719, 724, 726-727, 733, 740-741, 747	0594084	54830-2B000	HYUNDAI	565
0593801	GD1E-34-170	KIA	622	0594084	54830-2B000	KIA	639
0593801	GD1E-34-170	MAZDA	719, 724, 726-727, 733, 740-741, 747	0594098	0K2FA-34170	KIA	615
0593812	4500198	NISSAN	939	0594101	381229 *	PEUGEOT	1110
0593812	4500198	OPEL	1050	0594101-K	381229	PEUGEOT	1110
0593812	4500198	RENAULT	1210	0594127	MR-992309	MITSUBISHI	896
0593812	4500198	VAUXHALL	1561	0594142	4056A133	MITSUBISHI	911
0593812	54618-00QAB	NISSAN	939	0594142	MR-992191	MITSUBISHI	911
0593812	54618-00QAB	OPEL	1050	0594163	6383230468	MERCEDES	846
0593812	54618-00QAB	RENAULT	1210	0594164	2103202189	MERCEDES	787
0593812	54618-00QAB	VAUXHALL	1561	0594164	2103203689	MERCEDES	787
0593812	7700302165	NISSAN	939	0594215	31303413201	BMW	202
0593812	7700302165	OPEL	1050	0594215	31303414299	BMW	202
0593812	7700302165	RENAULT	1210	0594222	31306781547	BMW	169
0593812	7700302165	VAUXHALL	1561	0594222	31354014531	BMW	169
0593812	7700309070	NISSAN	939	0594222	31356760985	BMW	169
0593812	7700309070	OPEL	1050	0594222	31356769499	BMW	169
0593812	7700309070	RENAULT	1210	0594229	32216762243	BMW	130, 150
0593812	7700309070	VAUXHALL	1561	0594236	31356765933	BMW	131, 152, 216
0593812	9160498	NISSAN	939	0594246	52321-S04-003	HONDA	515
0593812	9160498	OPEL	1050	0594251	96403099	CHEVROLET - DAEWOO 230	
0593812	9160498	RENAULT	1210	0594262	6393200089	MERCEDES	848
0593812	9160498	VAUXHALL	1561	0594268	51321-S10-003	HONDA	520
0593848	31306781545	BMW	191	0594268	52321-S10-003	HONDA	520
0593848	31356753767	BMW	191	0594277	2303503506	MERCEDES	793, 832
0593848	31356778069	BMW	191	0594278	2303502706	MERCEDES	793, 833
0593874	3209407	VOLVO	1739	0594295	52321-S5T-J01	HONDA	516
0593884	6Q0423803E	SEAT	1331	0594296	51321-S5A-003	HONDA	516, 521, 537
0593884	6Q0423803E	SKODA	1361, 1385	0594297	52321-S5A-013	HONDA	516
0593884	6Q0423803E	VOLKSWAGEN	1587, 1666	0594323	48810-28010	TOYOTA	1521, 1531
0593884	6Q0423803P	SEAT	1331	0594325	7L0422803B	AUDI	94
0593884	6Q0423803P	SKODA	1361, 1385	0594325	7L0422803B	PORSCHE	1170
0593884	6Q0423803P	VOLKSWAGEN	1587, 1666	0594325	7L0422803B	VOLKSWAGEN	1571, 1685, 1688
0593885	6Q0423803C	SEAT	1331	0594325	7L0422803C	AUDI	94
0593885	6Q0423803C	SKODA	1360, 1385	0594325	7L0422803C	PORSCHE	1170
0593885	6Q0423803C	VOLKSWAGEN	1587, 1665	0594325	7L0422803C	VOLKSWAGEN	1571, 1685, 1688
0593885	6Q0423803G	SEAT	1331	0594325	7L0422803D	AUDI	94
0593885	6Q0423803G	SKODA	1360, 1385	0594325	7L0422803D	PORSCHE	1170
0593885	6Q0423803G	VOLKSWAGEN	1587, 1665	0594325	7L0422803D	VOLKSWAGEN	1571, 1685, 1688
0593895	350607	ISUZU	586	0594325	955347031021	PORSCHE	1170
0593895	350607	OPEL	1034-1035	0594325	95534703120	PORSCHE	1170
0593895	350607	VAUXHALL	1558-1559	0594325	95534703121	PORSCHE	1170
0593895	5352019	ISUZU	586	0594332	7L0505465A	AUDI	96
0593895	5352019	OPEL	1034-1035	0594332	7L0505465A	PORSCHE	1173
				0594332	7L0505465A	VOLKSWAGEN	1687, 1689
				0594332	7L0505465B	AUDI	96
				0594332	7L0505465B	PORSCHE	1173
				0594332	7L0505465B	VOLKSWAGEN	1687, 1689

RIF. OCAP OCAP REF.	RIF. ORIG. O.E. NUMBER	MARCA MAKE	PAG.	RIF. OCAP OCAP REF.	RIF. ORIG. O.E. NUMBER	MARCA MAKE	PAG.
0594332	7L0505465C	AUDI	96	0595337	4817516	OPEL	1011
0594332	7L0505465C	PORSCHE	1173	0595337	96626247	CHEVROLET - DAEWOO 220	
0594332	7L0505465C	VOLKSWAGEN	1687, 1689	0595337	96626247	OPEL	1011
0594332	7L0505465D	AUDI	96	0595337	96996450	CHEVROLET - DAEWOO 220	
0594332	7L0505465D	PORSCHE	1173	0595337	96996450	OPEL	1011
0594332	7L0505465D	VOLKSWAGEN	1687, 1689	0595340	32112228785	BMW	148
0594332	95533306910	AUDI	96	0595341	6R0423803D	AUDI	31
0594332	95533306910	PORSCHE	1173	0595342	6R0423803	SEAT	1335
0594332	95533306910	VOLKSWAGEN	1687, 1689	0595342	6R0423803	VOLKSWAGEN	1669
0594332	95533306911	AUDI	96	0595342	6R0423803A	SEAT	1335
0594332	95533306911	PORSCHE	1173	0595342	6R0423803A	SKODA	1383
0594332	95533306911	VOLKSWAGEN	1687, 1689	0595342	6R0423803A	VOLKSWAGEN	1669
0594332	95533306921	AUDI	96	0595345	2123201189	MERCEDES	795
0594332	95533306921	PORSCHE	1173	0595497	48810-53010	LEXUS	702
0594332	95533306921	VOLKSWAGEN	1687, 1689	0595498	48810-30070	LEXUS	702
0594333	7H0419803D	VOLKSWAGEN	1705	0595500	48810-30010	LEXUS	699
0594333	7H0419803E	VOLKSWAGEN	1705	0595500	48810-30020	LEXUS	699
0594362	52321-S9A-003	HONDA	521	0595556	31306787163	BMW	203
0594367	51321-SEA-E01	HONDA	507	0595560	32109803321	MINI	863
0594370	51321-SAA-J01	HONDA	526	0595560	32109808837	MINI	863
0594371	51321-SAA-003	HONDA	526	0595561	31359806351	MINI	863
0594389	508752	CITROEN	273, 275	0595570	8-97235-787-1	ISUZU	580
0594389	508752	PEUGEOT	1136, 1143	0595570	8-97944-569-0	ISUZU	580
0594391	54668-AU000	NISSAN	977	0595572	31509803515	MINI	864
0594432	GJ6A-34-170A	MAZDA	721	0595572	33509803515	MINI	864
0594455	54830-17010	HYUNDAI	540, 561	0595691	RBM500150	LAND ROVER	694
0594455	54830-25010	HYUNDAI	540, 561	0595739	56261-1AA0B	NISSAN	952
0594462	54830-1C000	HYUNDAI	546	0595740	551100010R	RENAULT	1207
0594466	54830-26000	HYUNDAI	564	0595745	350231	CHEVROLET - DAEWOO 235	
0594466	54830-26010	HYUNDAI	564	0595745	350231	OPEL	1048
0594513	54668-8H300	NISSAN	1005	0595745	95942519	CHEVROLET - DAEWOO 235	
0594529	96225858	CHEVROLET - DAEWOO 222, 226		0595745	95942519	OPEL	1048
0594531	52325-S84-A01	HONDA	506, 508	0595771	2053230717	MERCEDES	775
0594546	51321-S2G-003	HONDA	531	0595772	2043260317	MERCEDES	776, 801
0594562	48810-0K010	TOYOTA	1506-1507, 1514	0595784	1663200789	MERCEDES	809
0594562	48810-0K020	TOYOTA	1506-1507, 1514	0595784	1663201100	MERCEDES	809
0594562	48810-60040	TOYOTA	1506-1507, 1514	0595800	39001003	OPEL	1024
0594568	54830-4D000	KIA	618	0595800	39064480	OPEL	1024
0594604	32106784716	BMW	171, 176, 181, 193	0596500	54668-CA000	NISSAN	951
0594611	7701624287	RENAULT	1251	0596500	54668-CA00E	NISSAN	951
0594618	54668-EA010	NISSAN	959	0597871	500383976	IVECO	590
0594619	56261-EA510	NISSAN	959	0598062	54668-CA010	NISSAN	951
0594633	55619-JD00A	NISSAN	982, 984, 1007	0598064	52321-SWA-A01	HONDA	522-523
0594633	55619-JD00A	RENAULT	1197, 1202	0598066	4475109000	SSANGYONG	1407, 1409
0594633	55619-JY00B	NISSAN	982, 984, 1007	0598067	4575009000	SSANGYONG	1407, 1409
0594633	55619-JY00B	RENAULT	1197, 1202	0598067	4575009001	SSANGYONG	1407, 1409
0594643	54667-VW000	NISSAN	1000	0598077	4156A014	CITROEN	266, 285
0594649	4475109000	SSANGYONG	1404	0598077	4156A014	MITSUBISHI	867, 902, 904
0595002	811419801B	AUDI	106	0598077	4156A014	PEUGEOT	1153, 1155
0595006	503508	FERRARI	338	0598077	517848	CITROEN	266, 285
0595007	505050	FERRARI	338	0598077	517848	MITSUBISHI	867, 902, 904
0595008	505799	FERRARI	338	0598077	517848	PEUGEOT	1153, 1155
0595068	542180023	LDV	697	0598085	32106799960	BMW	133, 154, 156
0595176	4475008001	SSANGYONG	1409	0598094	54830-2K000	KIA	640
0595179	46640-80F00	SUZUKI	1425, 1432	0598095	GS1D-34-170	MAZDA	722
0595196	54830-4H000	HYUNDAI	548	0598508	32106854733	MINI	861
0595196	54830-4H200	HYUNDAI	548	0598524	32106868688	BMW	174
0595197	55530-4H000	HYUNDAI	548	0598524	32106869535	BMW	174
0595337	4806304	CHEVROLET - DAEWOO 220		0598534	32106867404	BMW	135, 199
0595337	4806304	OPEL	1011	0598534	32106867404	MINI	865
0595337	4817516	CHEVROLET - DAEWOO 220		0598675	2N0411317B	MAN	705
				0598675	2N0411317B	VOLKSWAGEN	1585
				0598675	65437180009	MAN	705
				0598675	65437180009	VOLKSWAGEN	1585
				0598677	6007098-00-A	TESLA	1453

RIF. OCAP OCAP REF.	RIF. ORIG. O.E. NUMBER	MARCA MAKE	PAG.	RIF. OCAP OCAP REF.	RIF. ORIG. O.E. NUMBER	MARCA MAKE	PAG.
0598681	31356768771 *	BMW	152, 197	0600362	322155	OPEL	1027, 1029
0598845	4473200089	MERCEDES	850	0600362	322155	VAUXHALL	1553, 1555
0598849	4473200189	MERCEDES	850	0600363	322158	OPEL	1027, 1029
0598869	LR033243	LAND ROVER	691	0600363	322158	VAUXHALL	1553, 1555
0598869	LR048093	LAND ROVER	691	0600368	7701469517	RENAULT	1270
0598872	LR042976	LAND ROVER	696	0600372	32111139316 *	BMW	142, 212
0598879	6393200989	MERCEDES	848	0600373	32111139318 *	BMW	142
0599237	6Q0419803D	SKODA	1360	0600384	9944452	ALFA ROMEO	3, 5, 7, 26
0599237	6Q0419803D	VOLKSWAGEN	1665	0600384	9944452	FIAT	346
0599237	6Q0419803F	SKODA	1360	0600384	9950452	FIAT	346
0599237	6Q0419803F	VOLKSWAGEN	1665	0600387	53521-SD4-003	HONDA	528
0599278	C2C-18572	JAGUAR	593, 595, 599, 602	0600387	53521-SD4-013	HONDA	528
0599278	C2C18572	JAGUAR	593, 595, 599, 602	0600387	53521-SD4-023	HONDA	528
0599278	XR8-1693	JAGUAR	593, 595, 599, 602	0600388	53521-SM4-003	HONDA	504
0599278	XR81693	JAGUAR	593, 595, 599, 602	0600388	53521-SM4-013	HONDA	504
0599278	XW4Z5C487AB	JAGUAR	593	0600392	6737692	FORD	464
0599279	4895483AA	CHRYSLER	241	0600392	7294415	FORD	464
0599279	4895483AB	CHRYSLER	241	0600408	4318655	AUTOBIANCHI	125
0599297	31302284643	BMW	133, 154, 156	0600408	4318655	FIAT	375, 402, 404- 405, 407
0600045	3702281	FORD	422, 466	0600408	4318655	INNOCENTI	577
0600045	3903149	FORD	422, 466	0600408	4318655	SEAT	1323, 1350, 1357
0600081	6156463	FORD	492-493	0600408	4318655	ZASTAVA	1746
0600081	6869951	FORD	492-493	0600408	HB16244900	AUTOBIANCHI	125
0600089	48521-A03G0	NISSAN	996	0600408	HB16244900	FIAT	375, 402, 404- 405, 407
0600154	7701469777	RENAULT	1182	0600408	HB16244900	INNOCENTI	577
0600179	7658273	FIAT	345	0600408	HB16244900	SEAT	1323, 1350, 1357
0600183	115500420	SKODA	1397	0600408	HB16244900	ZASTAVA	1746
0600184	1359347	VOLVO	1743	0600409	310220034-B	FIAT	385, 410
0600185	1387463	VOLVO	1730, 1743	0600409	310220034-B	MASERATI	706
0600185	9140504	VOLVO	1730, 1743	0600409	310220034-B	SEAT	1324, 1354
0600186	271389	VOLVO	1743	0600409	4322913	FIAT	385, 410
0600189	53521-SH3-003	HONDA	512	0600409	4322913	MASERATI	706
0600190	53521-SB0-000	HONDA	532-533	0600409	4322913	SEAT	1324, 1354
0600190	53521-SB0-003	HONDA	532-533	0600409	SE022162449A	FIAT	385, 410
0600190	53521-SF1-003	HONDA	532-533	0600409	SE022162449A	MASERATI	706
0600201	1H0419821	VOLKSWAGEN	1596	0600409	SE022162449A	SEAT	1324, 1354
0600213	1H0422803B	VOLKSWAGEN	1596	0600410	266080	AUTOBIANCHI	125, 127
0600213	1H0422804B	VOLKSWAGEN	1596	0600410	266080	FIAT	363, 375, 402, 405, 407
0600213	1H0422821	VOLKSWAGEN	1596	0600410	266080	INNOCENTI	576
0600216	357422803 *	VOLKSWAGEN	1636, 1639	0600410	266080	PIAGGIO	1156
0600216	357422804 *	VOLKSWAGEN	1636, 1639	0600410	266080	SEAT	1323, 1350
0600216	3A0422803C *	VOLKSWAGEN	1639	0600410	5960321	AUTOBIANCHI	125, 127
0600216	3A0422804C *	VOLKSWAGEN	1639	0600410	5960321	FIAT	363, 375, 402, 405, 407
0600237	1683301335	MERCEDES	755	0600410	5960321	INNOCENTI	576
0600253	BAU1819	ROVER GROUP	1278	0600410	5960321	PIAGGIO	1156
0600261	32111115233	BMW	137	0600410	5960321	SEAT	1323, 1350
0600261	32111116709	BMW	137	0600410	7074037	AUTOBIANCHI	125, 127
0600262	32111116710	BMW	137	0600410	7074037	FIAT	363, 375, 402, 405, 407
0600281	381292	PEUGEOT	1114, 1116	0600410	7074037	INNOCENTI	576
0600285	6N0419803 *	SEAT	1313	0600410	7074037	PIAGGIO	1156
0600285	6N0419803 *	VOLKSWAGEN	1659	0600410	7074037	SEAT	1323, 1350
0600285	6N0419804 *	SEAT	1313	0600410	SE-141162449A	AUTOBIANCHI	125, 127
0600285	6N0419804 *	VOLKSWAGEN	1659	0600410	SE-141162449A	FIAT	363, 375, 402, 405, 407
0600286	6N0422803 *	VOLKSWAGEN	1659	0600410	SE-141162449A	INNOCENTI	576
0600286	6N0422804 *	VOLKSWAGEN	1659	0600410	SE-141162449A	PIAGGIO	1156
0600303	7317075 *	GENERAL MOTORS	500	0600410	SE-141162449A	SEAT	1323, 1350
0600303	7333318 *	GENERAL MOTORS	500	0600410	SE-141162449A	AUTOBIANCHI	125, 127
0600338	S083-32-115	KIA	614	0600410	SE-141162449A	FIAT	363, 375, 402, 405, 407
0600338	S083-32-115	MAZDA	730	0600410	SE-141162449A	INNOCENTI	576
0600351	3342824	VOLVO	1740	0600410	SE-141162449A	PIAGGIO	1156
0600351	3410412	VOLVO	1740	0600410	SE-141162449A	SEAT	1323, 1350
				0600411	5958244	FIAT	385, 395, 400, 410

RIF. OCAP OCAP REF.	RIF. ORIG. O.E. NUMBER	MARCA MAKE	PAG.	RIF. OCAP OCAP REF.	RIF. ORIG. O.E. NUMBER	MARCA MAKE	PAG.
0600411	5958244	LANCIA	652, 655	0600639	3812C6	CITROEN	247, 249, 251, 307, 309, 311, 313
0600411	5958274	FIAT	385, 395, 400, 410	0600639	3812C6	PEUGEOT	1080, 1083
0600411	7633721	FIAT	385, 395, 400, 410	0600639	3812E4	CITROEN	247, 249, 251, 307, 309, 311, 313
0600411	7633721	LANCIA	652, 655	0600639	3812E4	PEUGEOT	1080, 1083
0600411	SE022162449B	SEAT	1325	0600639	96048214	CITROEN	247, 249, 251, 307, 309, 311, 313
0600412	9939038	FIAT	385	0600639	96048214	PEUGEOT	1080, 1083
0600412	9939038	LANCIA	655	0600639	96048214	CITROEN	247, 249, 251, 307, 309, 311, 313
0600413	5983313	FIAT	385, 400	0600639	96048214	PEUGEOT	1080, 1083
0600418	381299	CITROEN	305	0600646	73767	FORD	421
0600418	381299	PEUGEOT	1144	0600735	1659374	FORD	433, 435
0600418	96032460	CITROEN	305	0600751	322078	OPEL	1026
0600418	96032460	PEUGEOT	1144	0600751	322078	VAUXHALL	1562
0600419	6K0422803 *	SEAT	1326	0600751	322149	OPEL	1026
0600419	6K0422803 *	VOLKSWAGEN	1578	0600751	322149	VAUXHALL	1562
0600419	6K0422804 *	SEAT	1326	0600751	322149	VAUXHALL	1562
0600419	6K0422804 *	VOLKSWAGEN	1578	0600754	322120	OPEL	1040
0600424	8-94217-221-3	ISUZU	582-583	0600754	322120	VAUXHALL	1552
0600424	94217221	ISUZU	582-583	0600754	322121	OPEL	1040
0600442	7701491	FIAT	380, 382	0600754	322121	VAUXHALL	1552
0600442	7701491	LANCIA	670	0600754	9884060	VAUXHALL	1552
0600442	9946948	FIAT	380, 382	0600768	324251	OPEL	1013
0600442	9946948	LANCIA	670	0600768	324251	VAUXHALL	1550
0600442	9948343	FIAT	380, 382	0600786	381215 **	CITROEN	299
0600442	9948343	LANCIA	670	0600786	381215 **	PEUGEOT	1088, 1138
0600443	9945562	FIAT	339, 380	0600786	381215 **	RENAULT	1233
0600443	9945562	LANCIA	670	0600786	381215 **	TALBOT	1446, 1449
0600450	3812C2	PEUGEOT	1130	0600786	381219	CITROEN	299
0600462	3410369	VOLVO	1740	0600786	381219	PEUGEOT	1088, 1138
0600464	9140505	VOLVO	1737	0600786	381219	RENAULT	1233
0600465	3812A8	CITROEN	305	0600786	381219	TALBOT	1446, 1449
0600476	7079383	FIAT	371	0600786	7700693154	CITROEN	299
0600476	7079388	FIAT	371	0600786	7700693154	PEUGEOT	1088, 1138
0600481	3345797	MITSUBISHI	869, 871	0600786	7700693154	RENAULT	1233
0600481	3345797	VOLVO	1718	0600786	7700693154	TALBOT	1446, 1449
0600481	MR-244901	MITSUBISHI	869, 871	0600813	93034703101 *	PORSCHE	1159
0600481	MR-244901	VOLVO	1718	0600828	8943268	SAAB	1296
0600483	3812C5	PEUGEOT	1097	0600828	8988941	SAAB	1296
0600501	9938028	FIAT	410	0600841	0013187600	TALBOT	1443, 1445, 1448, 1451
0600514	381227	CITROEN	279	0600841	0016545292	TALBOT	1443, 1445, 1448, 1451
0600514	381227	FIAT	357	0600841	0016545400	TALBOT	1443, 1445, 1448, 1451
0600514	381227	PEUGEOT	1077	0600841	0051526800	TALBOT	1443, 1445, 1448, 1451
0600514	9750001180	CITROEN	279	0600841	40213B	TALBOT	1443, 1445, 1448, 1451
0600514	9750001180	FIAT	357	0600859	3268829	VOLVO	1739
0600514	9750001180	PEUGEOT	1077	0600862	1205659	VOLVO	1736-1737
0600514	9750390080	CITROEN	279	0600864	1205666	VOLVO	1736
0600514	9750390080	FIAT	357	0600865	1272947	VOLVO	1736-1737
0600514	9750390080	PEUGEOT	1077	0600867	1273126	VOLVO	1743
0600516	7820249135	ALFA ROMEO	22	0600869	171419807A	VOLKSWAGEN	1591
0600516	9983325	ALFA ROMEO	22	0600869	171419821A	VOLKSWAGEN	1591
0600516	9983325	IVECO	587	0600874	191419821	SEAT	1326
0600519	82355565	LANCIA	654	0600874	191419821	VOLKSWAGEN	1593
0600519	9939399	LANCIA	654	0600887	251419803 *	VOLKSWAGEN	1700
0600526	119002403900	ALFA ROMEO	20	0600887	251419803A *	VOLKSWAGEN	1700
0600526	1935725000	ALFA ROMEO	20	0600911	477419813	PORSCHE	1165
0600526	1935725000/00	ALFA ROMEO	20	0600918	3812A4	CITROEN	292
0600526	60548913	ALFA ROMEO	21	0600918	3812A4	PEUGEOT	1150
0600526	60548925	ALFA ROMEO	20-21	0600918	9566950880	CITROEN	292
0600627	2L5462707A **	CITROEN	282	0600918	9566950880	FIAT	346, 369-370,
0600627	2L5462708A **	CITROEN	282				
0600639	3812C0	CITROEN	247, 249, 251, 307, 309, 311, 313				
0600639	3812C0	PEUGEOT	1080, 1083				

RIF. OCAP OCAP REF.	RIF. ORIG. O.E. NUMBER	MARCA MAKE	PAG.	RIF. OCAP OCAP REF.	RIF. ORIG. O.E. NUMBER	MARCA MAKE	PAG.
			387, 398	0601113	6131083	FORD	480
0600918	9566950880	LANCIA	674	0601113	6185336	FORD	480
0600918	9947713	FIAT	346, 369-370, 387, 398	0601113	83BB-3L-519-EA	FORD	480
0600922	7700656318	CITROEN	246	0601130	381298	PEUGEOT	1112, 1128, 1130
0600922	7700656318	RENAULT	1224, 1227	0601139	1471654080	CITROEN	288
0600927	7701462170	RENAULT	1178, 1229	0601139	1471654080	FIAT	359
0600935	7700656272	RENAULT	1236, 1245	0601139	1471654080	PEUGEOT	1072
0600935	7701656272	RENAULT	1236, 1245	0601139	400624	CITROEN	288
0600951	381225	CITROEN	277, 294, 300, 302	0601139	400624	FIAT	359
0600951	381225	PEUGEOT	1095, 1106- 1107, 1125, 1139	0601139	400624	PEUGEOT	1072
0600953	6128255	FORD	432	0601139	4018A4	CITROEN	288
0600953	6186194	FORD	432	0601139	4018A4	FIAT	359
0600988	53521-692-003	HONDA	502-503, 510, 532, 536	0601139	4018A4	PEUGEOT	1072
0600988	53521-SA0-003	HONDA	502-503, 510, 532, 536	0601139	9945836	CITROEN	288
0600988	53521-SE0-003	HONDA	502-503, 510, 532, 536	0601139	9945836	FIAT	359
0600988	53521-SE0-013	HONDA	502-503, 510, 532, 536	0601139	9945836	PEUGEOT	1072
0600988	53521-SE0-951	HONDA	502-503, 510, 532, 536	0601171	939574	FIAT	404
0600990	53521-634-000	HONDA	510	0601171	9941127	FIAT	404
0600993	48521-35F00	NISSAN	928, 933, 937, 947, 971, 979- 980, 990-991, 996	0601186	7076231	FIAT	364
0600993	48521-70A00	NISSAN	928, 933, 937, 947, 971, 979- 980, 990-991, 996	0601186	7076231	INNOCENTI	576
0600993	48521-70A06	NISSAN	928, 933, 937, 947, 971, 979- 980, 990-991, 996	0601188	7077206	FIAT	364
0600993	48521-70A16	NISSAN	928, 933, 937, 947, 971, 979- 980, 990-991, 996	0601188	7077206	INNOCENTI	576
0600993	48521-D0100	NISSAN	928, 933, 937, 947, 971, 979- 980, 990-991, 996	0601196	1228386	VOLVO	1736-1737
0601013	9946815	LANCIA	662	0601196	3530167	VOLVO	1736-1737
0601021	32111094673 *	BMW	164	0601228	53521-671-000	HONDA	502
0601021	32111094674 *	BMW	164	0601228	53521-671-010	HONDA	502
0601055	1085520	FORD	444, 485	0601228	53521-689-003	HONDA	502
0601055	3707333	FORD	444, 485	0601285	57730-29000	HYUNDAI	560
0601055	3707533	FORD	444, 485	0601285	57730-29001	HYUNDAI	560
0601058	6X0422803 *	SEAT	1315, 1331	0601294	57730-28500	HYUNDAI	559
0601058	6X0422803 *	SKODA	1360	0601300	7701471143 *	RENAULT	1184
0601058	6X0422803 *	VOLKSWAGEN	1626, 1660, 1665	0601300	7701471144 *	RENAULT	1184
0601058	6X0422804 *	SEAT	1315, 1331	0601300-K	7701471143	RENAULT	1184
0601058	6X0422804 *	SKODA	1360	0601300-K	7701471144	RENAULT	1184
0601058	6X0422804 *	VOLKSWAGEN	1626, 1660, 1665	0601306	8962250	SAAB	1305
0601060	6X0419803A *	SEAT	1315	0601328	4048739	FORD	457
0601060	6X0419803A *	VOLKSWAGEN	1626, 1659	0601328	6790700	FORD	457
0601060	6X0419804A *	SEAT	1315	0601350	9948297	ALFA ROMEO	16
0601060	6X0419804A *	VOLKSWAGEN	1626, 1659	0601371	9947371	ALFA ROMEO	3, 5, 7, 26
0601110	95495439	CITROEN	254	0601371	9947718	ALFA ROMEO	3, 5, 7, 26
0601110	95495440	CITROEN	254	0601371	9947718	FIAT	340, 346
0601113	1613106	FORD	480	0601371	9950786	ALFA ROMEO	3, 5, 7, 26
				0601381	8N0422807D	AUDI	97
				0601381	8N0422807D	SEAT	1340
				0601383	32211096898 *	BMW	145, 148, 214
				0601406	701419803C *	VOLKSWAGEN	1701, 1703
				0601412	701419804C *	VOLKSWAGEN	1701, 1703
				0601444	7081851	FIAT	373, 394
				0601445	7081842	FIAT	373, 394
				0601448	9948292	FIAT	371, 400
				0601452	9948263	FIAT	340
				0601454	9949217	FIAT	392
				0601477	007350278N	SKODA	1367
				0601478	6U0422807	SKODA	1367
				0601481	D061-32-24XA	MAZDA	708
				0601497	7701472734 *	RENAULT	1185, 1262
				0601497	7701472735 *	RENAULT	1185, 1262
				0601497-K	7701472734	RENAULT	1185, 1262
				0601497-K	7701472735	RENAULT	1185, 1262
				0601504	2D0422803 *	VOLKSWAGEN	1624
				0601504	9014600155	MERCEDES	840
				0601509	3812E1	CITROEN	257
				0601509	3812E1	PEUGEOT	1086
				0601512	3812C8	CITROEN	271

RIF. OCAP OCAP REF.	RIF. ORIG. O.E. NUMBER	MARCA MAKE	PAG.	RIF. OCAP OCAP REF.	RIF. ORIG. O.E. NUMBER	MARCA MAKE	PAG.
0601513	1610817680	CITROEN	269	0601713	6180393	FORD	430
0601513	1610817680	OPEL	1036	0601714	6180922	FORD	430
0601513	1610817680	PEUGEOT	1152	0601714	6197238	FORD	430
0601513	39176184 **	OPEL	1036	0601716	6185338	FORD	430, 477
0601513	39176185 **	OPEL	1036	0601716	6186195	FORD	430, 477
0601524	7701473498	RENAULT	1270	0601745	1603213	OPEL	1018
0601525	7701472087 *	RENAULT	1214, 1254	0601745	1603213	VAUXHALL	1543
0601525	7701472088 *	RENAULT	1254	0601746	1603216 *	OPEL	1018, 1020
0601525-K	7701472087	RENAULT	1214, 1254	0601746	1603216 *	VAUXHALL	1543-1544
0601525-K	7701472088	RENAULT	1254	0601746	1603256 *	OPEL	1018, 1020
0601526	7701471844 *	RENAULT	1214, 1254	0601746	1603256 *	VAUXHALL	1543-1544
0601526-K	7701471844	RENAULT	1214, 1254	0601746	93179557 *	OPEL	1018, 1020
0601530	98845024	FIAT	353	0601746	93179557 *	VAUXHALL	1543-1544
0601530	98845025	FIAT	353	0601746-K	1603216	OPEL	1020
0601532	98845026	FIAT	353	0601746-K	1603216	VAUXHALL	1544
0601536	4420096 *	NISSAN	955	0601746-K	1603256	OPEL	1020
0601536	4420096 *	OPEL	1051	0601746-K	1603256	VAUXHALL	1544
0601536	4420096 *	RENAULT	1211	0601746-K	93179557	OPEL	1020
0601536	48521-00Q0E *	NISSAN	955	0601746-K	93179557	VAUXHALL	1544
0601536	48521-00Q0E *	OPEL	1051	0601752	MR-131857	MITSUBISHI	914, 919
0601536	48521-00Q0E *	RENAULT	1211	0601760	MB-532281	MITSUBISHI	882-883
0601536	93167687 *	NISSAN	955	0601760	MB-949343	MITSUBISHI	882-883
0601536	93167687 *	OPEL	1051	0601760	MR-403872	MITSUBISHI	882-883
0601536	93167687 *	RENAULT	1211	0601760	MR-594674	MITSUBISHI	882-883
0601537	3812A6	CITROEN	305	0601765	MR-448255	MITSUBISHI	912
0601537	3812A6	PEUGEOT	1146	0601772	4111327	FORD	468
0601550	3812A9	CITROEN	303	0601777	9948296	LANCIA	664
0601550	3812A9	PEUGEOT	1132	0601784	48830-65D00	SUZUKI	1428
0601564	56540-22000	HYUNDAI	540	0601791	2203380715	MERCEDES	768, 791, 821, 831
0601564	56540-24000	HYUNDAI	540	0601791	2203380915	MERCEDES	768, 791, 821, 831
0601564	56540-25000	HYUNDAI	540	0601791	2303380015	MERCEDES	768, 791, 821, 831
0601564	56540-42001	HYUNDAI	540	0601792	2033380215	MERCEDES	768
0601564	56540-43000	HYUNDAI	540	0601842	4684V008000000 *	SMART	1399
0601564	56542-43010	HYUNDAI	540	0601842	4873V002000000 *	SMART	1399
0601565	56540-02000	HYUNDAI	542	0601847	4701745	OPEL	1009
0601566	57724-2D000	HYUNDAI	544	0601847	4701745	SUBARU	1416
0601566	57724-2D000	KIA	621	0601847	4701745	SUZUKI	1430, 1441
0601568	57755-1C000	HYUNDAI	546	0601847	4701745	VAUXHALL	1538
0601569	57730-33100	HYUNDAI	559, 566	0601847	48830-83E00	OPEL	1009
0601579	57716-34000	HYUNDAI	561, 567, 574	0601847	48830-83E00	SUBARU	1416
0601579	57724-3A000	HYUNDAI	561, 567, 574	0601847	48830-83E00	SUZUKI	1430, 1441
0601579	57755-17000	HYUNDAI	561, 567, 574	0601847	48830-83E00	VAUXHALL	1538
0601585	KDX50-32-240A	KIA	632	0601847	48830-86G00	OPEL	1009
0601585	KDX50-32-240B	KIA	632	0601847	48830-86G00	SUBARU	1416
0601585	KDX50-32-240C	KIA	632	0601847	48830-86G00	SUZUKI	1430, 1441
0601589	GE4T-32-240	MAZDA	727	0601847	48830-86G00	VAUXHALL	1538
0601589	GE4T-32-240A	MAZDA	727	0601853	3812E0	CITROEN	262
0601592	LA01-32-115	MAZDA	736	0601853	3812E0	PEUGEOT	1119
0601594	LC62-32-240B	MAZDA	736	0601856	3812C7	PEUGEOT	1148
0601597	FD01-32-240	MAZDA	745	0601856	3817C7	PEUGEOT	1148
0601619	94434703301 *	PORSCHE	1165, 1167	0601865	32106777522 *	MINI	856
0601669	94434703320 *	PORSCHE	1165, 1167	0601865	32116754564 *	MINI	856
0601691	1603198	OPEL	1061	0601871	32103412798 *	BMW	201, 205, 208
0601691	1603198	VAUXHALL	1565	0601871	32103444999 *	BMW	201, 205, 208
0601691	1603206	OPEL	1061	0601871	32106780985 *	BMW	201, 205, 208
0601691	1603206	VAUXHALL	1565	0601871	32106793496 *32106774336 *BMW	BMW	201, 205, 208
0601691	324186	OPEL	1061	0601871	32216751277 *	BMW	201, 205, 208
0601691	324186	VAUXHALL	1565	0601871	32216773741 *	BMW	201, 205, 208
0601691	4836557	SAAB	1301	0601871	32303418204 *	BMW	201, 205, 208
0601691	4905659	SAAB	1301	0601883	1603008 *	OPEL	1031
0601692	1603199	OPEL	1061	0601883	1603008 *	VAUXHALL	1557
0601692	1603199	VAUXHALL	1565	0601883-K	1603008	OPEL	1031
0601713	1024130	FORD	430				
0601713	6180350	FORD	430				

RIF. OCAP OCAP REF.	RIF. ORIG. O.E. NUMBER	MARCA MAKE	PAG.	RIF. OCAP OCAP REF.	RIF. ORIG. O.E. NUMBER	MARCA MAKE	PAG.
0601883-K	1603008	VAUXHALL	1557	0601947	48830-60G00	SUZUKI	1425
0601883-K	1603845	OPEL	1031	0601950	48830-50G10	SUZUKI	1435
0601883-K	1603845	VAUXHALL	1557	0601954	1633380215	MERCEDES	804
0601883-K	26087867	OPEL	1031	0601963	MR-403027	MITSUBISHI	871, 916
0601883-K	26087867	VAUXHALL	1557	0601972	0K203-32-240	KIA	635
0601883-K	93192421	OPEL	1031	0601972	0K9A2-32-240	KIA	622
0601883-K	93192421	VAUXHALL	1557	0602000	7700759418	RENAULT	1260
0601884	1603017 *	OPEL	1031	0602028	164002302801	ALFA ROMEO	14
0601884-K	1603017	OPEL	1031	0602028	164002302801	FIAT	348
0601884-K	1603844	OPEL	1031	0602028	164002302801	LANCIA	667
0601884-K	26110430	OPEL	1031	0602028	60507910	ALFA ROMEO	14
0601884-K	93192420	OPEL	1031	0602028	60507910	FIAT	348
0601890	4D0422821	AUDI	49, 52, 55, 66, 69, 78, 80	0602028	60507910	LANCIA	667
0601890	4D0422821	SEAT	1321	0602028	9040260	ALFA ROMEO	14
0601890	4D0422821	SKODA	1388	0602028	9040260	FIAT	348
0601890	4D0422821	VOLKSWAGEN	1641, 1644	0602028	9040260	LANCIA	667
0601890	4D0422821A	AUDI	49, 52, 55, 66, 69, 78, 80	0602028	9941835	ALFA ROMEO	14
0601890	4D0422821A	SEAT	1321	0602028	9941835	FIAT	348
0601890	4D0422821A	SKODA	1388	0602028	9941835	LANCIA	667
0601890	4D0422821A	VOLKSWAGEN	1641, 1644	0602028	9945565	ALFA ROMEO	14
0601890	8E0422821	AUDI	49, 52, 55, 66, 69, 78, 80	0602028	9945565	FIAT	348
0601890	8E0422821	SEAT	1321	0602028	9945565	LANCIA	667
0601890	8E0422821	SKODA	1388	0602031	9939557	FIAT	348
0601890	8E0422821	VOLKSWAGEN	1641, 1644	0602031	9939557	LANCIA	667
0601890	8E0422821B	AUDI	49, 52, 55, 66, 69, 78, 80	0602033	9939675	ALFA ROMEO	3, 7, 26
0601890	8E0422821B	SEAT	1321	0602033	9939675	FIAT	340, 348, 395
0601890	8E0422821B	SKODA	1388	0602033	9939675	LANCIA	652, 658-659, 667
0601890	8E0422821B	VOLKSWAGEN	1641, 1644	0602033	9941625	ALFA ROMEO	3, 7, 26
0601890	8E0422821C	AUDI	49, 52, 55, 66, 69, 78, 80	0602033	9941625	FIAT	340, 348, 395
0601890	8E0422821C	SEAT	1321	0602033	9941625	LANCIA	652, 658-659, 667
0601890	8E0422821C	SKODA	1388	0602033	9947361	ALFA ROMEO	3, 7, 26
0601890	8E0422821C	VOLKSWAGEN	1641, 1644	0602033	9947361	FIAT	340, 348, 395
0601898	6K0422803E *	SEAT	1329	0602033	9947361	LANCIA	652, 658-659, 667
0601898	6K0422803E *	VOLKSWAGEN	1663	0602038	32111126620	BMW	139
0601898	6K0422804E *	SEAT	1329	0602039	32111127124	BMW	139
0601898	6K0422804E *	VOLKSWAGEN	1663	0602039	32111130449	BMW	139
0601905	6384600055	MERCEDES	845	0602039	32111701040	BMW	139
0601905	6384600255	MERCEDES	845	0602062	9947189 *	LANCIA	662
0601908	7079382	FIAT	371	0602088	2103380415	MERCEDES	786
0601923	45503-19215	TOYOTA	1481, 1524	0602112	1693300803 *	MERCEDES	757
0601923	45503-29365	TOYOTA	1481, 1524	0602116	561423810	SEAT	1318
0601926	48830-63B10	SUBARU	1415	0602116	561423810	SKODA	1369, 1371, 1394
0601928	34140-AA010	SUBARU	1410, 1412	0602116	561423810	VOLKSWAGEN	1573, 1683, 1696
0601928	34140-AA011	SUBARU	1410, 1412	0602116	5Q0423810	SEAT	1318
0601928	34140-AA012	SUBARU	1410, 1412	0602116	5Q0423810	SKODA	1369, 1371, 1394
0601928	34140-AA013	SUBARU	1410, 1412	0602116	5Q0423810	VOLKSWAGEN	1573, 1683, 1696
0601928	34140-AA030	SUBARU	1410, 1412	0602120	56540-22000	HYUNDAI	549
0601928	34140-AA040	SUBARU	1410, 1412	0602120	56540-24000	HYUNDAI	549
0601929	34160-AE000	SUBARU	1412, 1418- 1419, 1422	0602120	56540-25000	HYUNDAI	549
0601929	34160-AE001	SUBARU	1412, 1418- 1419, 1422	0602120	56540-42001	HYUNDAI	549
0601930	34140-FC000	SUBARU	1410, 1418	0602120	56540-43000	HYUNDAI	549
0601933	53010-S04-000	HONDA	514	0602120	56540-43010	HYUNDAI	549
0601938	53010-SW5-000	HONDA	530, 535	0602120	56542-43010	HYUNDAI	549
0601942	53010-S2H-J01	HONDA	524	0602124	32106765235 *	BMW	130, 150, 216
0601942	53010-S2H-J02	HONDA	524	0602124	32106765236 *	BMW	130, 150, 216
0601945	48830-70F00	SUZUKI	1423	0602130	4001.33 *	CITROEN	255-256
0601945	48830-84000	SUZUKI	1423	0602130	4001.33 *	PEUGEOT	1092-1093
0601945	48830-84000-000	SUZUKI	1423	0602130	4001.33 *	TOYOTA	1462-1463
0601945	48830-M70F00	SUZUKI	1423	0602130	400133 *	CITROEN	255-256

RIF. OCAP OCAP REF.	RIF. ORIG. O.E. NUMBER	MARCA MAKE	PAG.	RIF. OCAP OCAP REF.	RIF. ORIG. O.E. NUMBER	MARCA MAKE	PAG.	
0602130	400133 *	PEUGEOT	1092-1093	0602395	381200000	PEUGEOT	1119	
0602130	400133 *	TOYOTA	1462-1463	0602395	3812E5	CITROEN	262	
0602130	45500-0H010 *	CITROEN	255-256	0602395	3812E5	PEUGEOT	1119	
0602130	45500-0H010 *	PEUGEOT	1092-1093	0602399	C2Z2215	JAGUAR	598	
0602130	45500-0H010 *	TOYOTA	1462-1463	0602444	45503-87710	DAIHATSU	323, 330	
0602137	77363706 *	ALFA ROMEO	12	0602451	6001547606	DACIA	318	
0602137	77363707 *	ALFA ROMEO	12	0602451	6001550441	DACIA	318	
0602138	1603287 *	OPEL	1068	0602453	8201108350 *	DACIA	317	
0602138-K	1603287	OPEL	1068	0602454	96061907	CHEVROLET - DAEWOO 218, 224		
0602138-K	93186330	OPEL	1068	0602454	96535300	CHEVROLET - DAEWOO 218, 224		
0602139	1603359 *	OPEL	1068	0602455	45503-97201	DAIHATSU	334	
0602139-K	1603265	OPEL	1068	0602456	45503-97401	DAIHATSU	334	
0602139-K	1603268	OPEL	1068	0602459	45460-87401	DAIHATSU	336-337	
0602139-K	1603358	OPEL	1068	0602459	45503-87401	DAIHATSU	336-337	
0602139-K	1603359	OPEL	1068	0602465	53521-S7A-003	HONDA	537	
0602139-K	93181230	OPEL	1068	0602466	45503-87208	DAIHATSU	327-328	
0602139-K	93181662	OPEL	1068	0602466	45503-87210	DAIHATSU	327-328	
0602140	1603018 *	OPEL	1031	0602466	45503-87215	DAIHATSU	327-328	
0602140	1603843 *	OPEL	1031	0602467	45503-97203	DAIHATSU	329	
0602140	26110431 *	OPEL	1031	0602468	45503-97204	DAIHATSU	329	
0602140-K	1603018	OPEL	1031	0602480	45503-39075	TOYOTA	1456, 1511	
0602140-K	1603843	OPEL	1031	0602486	57724-38000	HYUNDAI	568	
0602140-K	26110431	OPEL	1031	0602491	1433271	FORD	453, 470	
0602237	1029836	FORD	479	0602491	1433271	LAND ROVER	685	
0602278	94434703323 *	PORSCHE	1167	0602491	1433271	VOLVO	1726, 1732	
0602283	6R0423803A *	AUDI	31, 36	0602491	1596574	FORD	453, 470	
0602283	6R0423803A *	SEAT	1335	0602491	1596574	LAND ROVER	685	
0602283	6R0423803A *	SKODA	1383	0602491	1596574	VOLVO	1726, 1732	
0602283	6R0423803A *	VOLKSWAGEN	1669	0602491	30776250	FORD	453, 470	
0602283	6R0423804A *	AUDI	31, 36	0602491	30776250	LAND ROVER	685	
0602283	6R0423804A *	SEAT	1335	0602491	30776250	VOLVO	1726, 1732	
0602283	6R0423804A *	SKODA	1383	0602491	31280002	FORD	453, 470	
0602283	6R0423804A *	VOLKSWAGEN	1669	0602491	31280002	LAND ROVER	685	
0602303	93296754	OPEL	1027	0602491	31280002	VOLVO	1726, 1732	
0602304	93296755	OPEL	1027	0602491	31280658	FORD	453, 470	
0602304	93296757	OPEL	1027	0602491	31280658	LAND ROVER	685	
0602305	4E0419821	AUDI	82	0602491	31280658	VOLVO	1726, 1732	
0602305	4E0419821	VOLKSWAGEN	1654	0602491	LR16869	FORD	453, 470	
0602314	12804238	SAAB	1299	0602491	LR16869	LAND ROVER	685	
0602324	3812C4	PEUGEOT	1132	0602491	LR16869	VOLVO	1726, 1732	
0602326	4F0422821	AUDI	72	0602497	57724-2E000	HYUNDAI	575	
0602326	4F0422821D	AUDI	72	0602497	57724-2E-000	KIA	642	
0602336	7701475841 *	RENAULT	1188	0602497	57724-2E000	KIA	642	
0602336-K	7701475841	RENAULT	1188	0602500	3293736	VOLVO	1739	
0602353	381747	CITROEN	296	0602504	111500420	SKODA	1396	
0602353	381747	PEUGEOT	1089	0602507	117022300200/1	ALFA ROMEO	21	
0602377	48521-00QAG	NISSAN	941, 970	0602507	60734829	ALFA ROMEO	21	
0602377	48521-00QAG	RENAULT	1184, 1262	1199,	0602507	9943856	ALFA ROMEO	21
0602377	7701472120 *	NISSAN	941, 970	0602514	7313-10010	SUBARU	1420	
0602377	7701472120 *	RENAULT	1184, 1262	1199,	0602540	8937088	SAAB	1296-1297
0602377	7701473655 *	NISSAN	941, 970	0602540	8947624	SAAB	1296-1297	
0602377	7701473655 *	RENAULT	1184, 1262	1199,	0602558	QFK500030	LAND ROVER	693
0602377-K	7701472120	RENAULT	1184, 1262	1199,	0602559	57724-38010	HYUNDAI	570
0602377-K	7701473655	RENAULT	1184, 1262	1199,	0602559	57724-38010	KIA	624
0602381	2103381115	MERCEDES	789	0602562	52109984AD	JEEP	605	
0602393	1608652180	CITROEN	286	0602562	52109984AE	JEEP	605	
0602393	1608652180	PEUGEOT	1105	0602562	52109984AF	JEEP	605	
0602394	3812E8	CITROEN	261	0602562	52109984AH	JEEP	605	
0602394	3812E8	PEUGEOT	1100	0602564	FB01-32-240A	MAZDA	745	
0602395	381200000	CITROEN	262	0602566	MR-510267	MITSUBISHI	908	
				0602574	48521-4M500	NISSAN	925	
				0602574	48521-4M527	NISSAN	925	
				0602574	48521-4M528	NISSAN	925	
				0602574	48521-4M587	NISSAN	925	
				0602575	48521-0W025	NISSAN	957	

RIF. OCAP OCAP REF.	RIF. ORIG. O.E. NUMBER	MARCA MAKE	PAG.	RIF. OCAP OCAP REF.	RIF. ORIG. O.E. NUMBER	MARCA MAKE	PAG.
0602575	48521-0W026	NISSAN	957	0602681	4H0422810A	AUDI	84, 91
0602583	1603543 *	ALFA ROMEO	28	0602681	8J0423810	AUDI	57, 84, 91, 99
0602583	1603543 *	FIAT	383	0602688	48510-4A00C	NISSAN	969
0602583	1603543 *	OPEL	1008, 1033	0602688	48830-M68K00	SUZUKI	1424
0602583	1609211	ALFA ROMEO	28	0602692	2213301603	MERCEDES	824
0602583	1609211	FIAT	383	0602720	68040224AA	JEEP	606
0602583	1609211	OPEL	1008, 1033	0602720	68040224AB	JEEP	606
0602583	51799757 *	ALFA ROMEO	28	0602721	04743935AD	CHRYSLER	237-238
0602583	51799757 *	FIAT	383	0602721	4743935AD	CHRYSLER	237-238
0602583	51799757 *	OPEL	1008, 1033	0602721	68019642AA	CHRYSLER	237-238
0602583	51802373 *	ALFA ROMEO	28	0602721	68019642AB	CHRYSLER	237-238
0602583	51802373 *	FIAT	383	0602721	68019643AA	CHRYSLER	237-238
0602583	51802373 *	OPEL	1008, 1033	0602721	68019643AB	CHRYSLER	237-238
0602583	51861102 *	ALFA ROMEO	28	0602725	7701477878 *	RENAULT	1272
0602583	51861102 *	FIAT	383	0602733	1401381380	FIAT	389
0602583	51861102 *	OPEL	1008, 1033	0602733	1497552080	FIAT	389
0602583	55702314 *	ALFA ROMEO	28	0602733	3812F0	CITROEN	293
0602583	55702314 *	FIAT	383	0602733	3812F0	PEUGEOT	1076
0602583	55702314 *	OPEL	1008, 1033	0602741	2E0713491 *	VOLKSWAGEN	1583
0602583	93188022 *	ALFA ROMEO	28	0602741	9064600055 *	MERCEDES	842
0602583	93188022 *	FIAT	383	0602741-K	2E0713491	VOLKSWAGEN	1583
0602583	93188022 *	OPEL	1008, 1033	0602741-K	9064600055	MERCEDES	842
0602583	95514914	ALFA ROMEO	28	0602746	JLM1097	JAGUAR	601
0602583	95514914	FIAT	383	0602747	C2C14898	JAGUAR	592, 594, 602
0602583	95514914	OPEL	1008, 1033	0602747	C2C14899	JAGUAR	592, 594, 602
0602583-K	1603543	OPEL	1033	0602747	C2C29620	JAGUAR	592, 594, 602
0602583-K	93189022	OPEL	1033	0602747	C2C29621	JAGUAR	592, 594, 602
0602594	45503-12130	TOYOTA	1483	0602747	C2C34774	JAGUAR	592, 594, 602
0602594	45503-19255	TOYOTA	1483	0602747	C2C38669	JAGUAR	592, 594, 602
0602609	45503-49055	TOYOTA	1525	0602749	2992593	IVECO	588
0602616	32109803321 *	MINI	859, 863	0602753	400177	CITROEN	295
0602616	32109803322 *	MINI	859, 863	0602753	400177	FIAT	365
0602620	45503-87714	DAIHATSU	330	0602753	400177	PEUGEOT	1071
0602626	45503-39235	TOYOTA	1513	0602753	4001CW	CITROEN	295
0602626	45503-39265	TOYOTA	1513	0602753	4001CW	FIAT	365
0602629	45503-49105	TOYOTA	1461	0602753	4001CW	PEUGEOT	1071
0602637	1352268080 *	CITROEN	290	0602753	4001CX	CITROEN	295
0602637	1352268080 *	FIAT	361	0602753	4001CX	FIAT	365
0602637	1352268080 *	PEUGEOT	1074	0602753	4001CX	PEUGEOT	1071
0602637	1359225080 *	CITROEN	290	0602753	51784191	CITROEN	295
0602637	1359225080 *	FIAT	361	0602753	51784191	FIAT	365
0602637	1359225080 *	PEUGEOT	1074	0602753	51784191	PEUGEOT	1071
0602637	1359226080 *	CITROEN	290	0602769	56540-1G000	KIA	633
0602637	1359226080 *	FIAT	361	0602770	57724-1E000	HYUNDAI	541
0602637	1359226080 *	PEUGEOT	1074	0602770	57724-1E000	KIA	633
0602637	1359227080 *	CITROEN	290	0602780	45503-B1010	DAIHATSU	335
0602637	1359227080 *	FIAT	361	0602780	45503-B1010	SUBARU	1417
0602637	1359227080 *	PEUGEOT	1074	0602780	45503-B1020	DAIHATSU	335
0602637	4000SF*	CITROEN	290	0602780	45503-B1020	SUBARU	1417
0602637	4000SF*	FIAT	361	0602782	45503-0D080	TOYOTA	1537
0602637	4000SF*	PEUGEOT	1074	0602782	45503-52070	TOYOTA	1537
0602637	4001A1 *	CITROEN	290	0602792	57724-07000	KIA	627
0602637	4001A1 *	FIAT	361	0602792	57724-07001	KIA	627
0602637	4001A1 *	PEUGEOT	1074	0602808	57729-4A000	HYUNDAI	547
0602637	4001E4 *	CITROEN	290	0602819	MR-403100	MITSUBISHI	901
0602637	4001E4 *	PEUGEOT	1074	0602822	48521-4U110	NISSAN	926
0602637	4001E4	FIAT	361	0602822	48521-4U185	NISSAN	926
0602637	4001E5 *	CITROEN	290	0602822	48521-4U186	NISSAN	926
0602637	4001E5 *	PEUGEOT	1074	0602842	45503-09230	TOYOTA	1467
0602637	4001E5	FIAT	361	0602842	45503-39225	TOYOTA	1467
0602641	53010-S2A-003	HONDA	538	0602889	48521-50400	NISSAN	922, 924, 975, 992
0602661	3812E9	CITROEN	268	0602889	48521-50Y00	NISSAN	922, 924, 975, 992
0602665	48521-3U025	NISSAN	938, 949, 953, 995	0602889	48521-Y02G0	NISSAN	922, 924, 975, 992
0602667	1644600005	MERCEDES	806, 812				

RIF. OCAP OCAP REF.	RIF. ORIG. O.E. NUMBER	MARCA MAKE	PAG.	RIF. OCAP OCAP REF.	RIF. ORIG. O.E. NUMBER	MARCA MAKE	PAG.
			992				1629
0602893	520672	CHEVROLET - DAEWOO	229	0603085	1J0422807E	AUDI	39
0602893	520838	CHEVROLET - DAEWOO	229	0603085	1J0422807E	SEAT	1340
0602895	520808	CHEVROLET - DAEWOO	222, 226	0603085	1J0422807E	SKODA	1373
0602895	520898	CHEVROLET - DAEWOO	222, 226	0603085	1J0422807E	VOLKSWAGEN	1575, 1601, 1629
0602895	521410	CHEVROLET - DAEWOO	222, 226	0603092	45503-29245	TOYOTA	1472
0602915	521255	CHEVROLET - DAEWOO	227	0603093	45510-42080 *	TOYOTA	1526
0602925	53010-SR3-010	HONDA	513	0603094	45503-42020	TOYOTA	1525
0602926	53010-SV4-000	HONDA	505	0603100	45503-29565	TOYOTA	1499
0602928	KK150-32-240	KIA	631	0603105	45503-19066	TOYOTA	1517
0602928	KK150-32-240	MAZDA	708	0603106	45503-19145	TOYOTA	1518
0602939	MB-532971	MITSUBISHI	899	0603120	45503-49075	TOYOTA	1523
0602951	48521-06R05	NISSAN	943, 945, 973, 976	0603122	45503-0F010	TOYOTA	1459, 1485, 1535
0602951	48521-71C00	NISSAN	943, 945, 973, 976	0603122	45503-0R010	TOYOTA	1459, 1485, 1535
0602951	48521-71V06	NISSAN	943, 945, 973, 976	0603122	45503-20170	TOYOTA	1459, 1485, 1535
0602951	48521-72E00	NISSAN	943, 945, 973, 976	0603126	48830-65J00	SUZUKI	1429
0602951	48521-72E06	NISSAN	943, 945, 973, 976	0603138	4709161	OPEL	1010
0602953	48251-1700	NISSAN	947	0603138	4709161	SUZUKI	1436
0602953	48521-01B25	NISSAN	947	0603138	4709161	VAUXHALL	1539
0602953	48521-1725	NISSAN	947	0603138	48830-63J00	OPEL	1010
0602955	45503-87708	DAIHATSU	323	0603138	48830-63J00	SUZUKI	1436
0602955	45503-87711	DAIHATSU	323	0603138	48830-63J00	VAUXHALL	1539
0602958	48830-82000	SUZUKI	1434	0603138	93194002	OPEL	1010
0602958	48830-82000-000	SUZUKI	1434	0603138	93194002	SUZUKI	1436
0602963	45503-19155	TOYOTA	1519, 1530	0603138	93194002	VAUXHALL	1539
0602971	45503-29255	TOYOTA	1498	0603139	1609000 *	OPEL	1045
0602976	45503-29095	TOYOTA	1516	0603139	93196777 *	OPEL	1045
0602976	45503-29135	TOYOTA	1516	0603139-K	1609000	OPEL	1045
0602978	45503-29215	TOYOTA	1516	0603139-K	93196777	OPEL	1045
0602984	48830-67D00	SUZUKI	1428	0603140	1609011 *	OPEL	1045
0602989	48830-75F01	SUZUKI	1430, 1441	0603140	93196778 *	OPEL	1045
0602991	48830-76G00	SUZUKI	1427, 1431	0603140-K	1609011	OPEL	1045
0602991	48830-77A00	SUZUKI	1427, 1431	0603140-K	93196778	OPEL	1045
0602993	MR-297969	MITSUBISHI	876	0603145	7701471124	RENAULT	1184
0602994	45503-0D030	TOYOTA	1536	0603147	3812F4	CITROEN	253
0602995	45503-52010	TOYOTA	1536	0603147	3812F4	PEUGEOT	1085
0602995	45503-59045	TOYOTA	1536	0603148	3812F2	CITROEN	264
0602999	45503-05020	TOYOTA	1458	0603148	3812F2	PEUGEOT	1121
0603014	6000022819	RENAULT	1203, 1213	0603203-K	7701469280	RENAULT	1213
0603014	7701469251	RENAULT	1203, 1213	0603204	7701469281 *	RENAULT	1213
0603014	7701469665	RENAULT	1203, 1213	0603204-K	7701469281	RENAULT	1213
0603026	3546266	VOLVO	1728, 1745	0603207	7701473656	RENAULT	1185, 1199
0603035	1J0422807	AUDI	39	0603209	7701469502 *	RENAULT	1198, 1214
0603035	1J0422807	SKODA	1373	0603209	7701470764 *	RENAULT	1198, 1214
0603044	1020496 *	FORD	451	0603209-K	7701469502	RENAULT	1198, 1214
0603044	1020497 *	FORD	451	0603209-K	7701470764	RENAULT	1198, 1214
0603044	7M0422803G *	SEAT	1307	0603210	7701469280 *	RENAULT	1213
0603044	7M0422803G *	VOLKSWAGEN	1676	0603213	4153200089 *	MERCEDES	839
0603044	7M0422804G *	SEAT	1307	0603213	4153200089 *	RENAULT	1201
0603044	7M0422804G *	VOLKSWAGEN	1676	0603213	7701478406 *	MERCEDES	839
0603056	99334713101	PORSCHE	1161	0603213	7701478406 *	RENAULT	1195, 1201, 1219, 1257
0603070	GSV1170	ROVER GROUP	1282-1283, 1288	0603213-K	4153200089	MERCEDES	839
0603072	1J0422803A *	VOLKSWAGEN	1601	0603213-K	4153200089	RENAULT	1201
0603072	1J0422804A *	VOLKSWAGEN	1601	0603213-K	7701478406	MERCEDES	839
0603081	9947923	ALFA ROMEO	9	0603213-K	7701478406	RENAULT	1201
0603084	48830-60B00	SUZUKI	1434-1435	0603216-K	485215612R	RENAULT	1195, 1219, 1257
0603085	1J0422807B	AUDI	39	0603219	2043380615	MERCEDES	838
0603085	1J0422807B	SEAT	1340	0603220	2043380015	MERCEDES	771
0603085	1J0422807B	SKODA	1373	0603220	2043380415	MERCEDES	771
0603085	1J0422807B	VOLKSWAGEN	1575, 1601,	0603245	99734732200	PORSCHE	1163, 1169

RIF. OCAP OCAP REF.	RIF. ORIG. O.E. NUMBER	MARCA MAKE	PAG.	RIF. OCAP OCAP REF.	RIF. ORIG. O.E. NUMBER	MARCA MAKE	PAG.
0603245	99734732201	PORSCHE	1163, 1169	0603480	MB-350577	MITSUBISHI	881, 899, 918
0603246	99634732203	PORSCHE	1162, 1168	0603481	MB-243329	MITSUBISHI	881, 918
0603250	1785002	FORD	424	0603481	MB-501721	MITSUBISHI	881, 918
0603250	1933357	FORD	424	0603481	MB-532281	MITSUBISHI	881, 918
0603251	1545457	FORD	441, 487	0603502	6127726	FORD	428
0603262	26144989	FIAT	356	0603502	6185334	FORD	428
0603271	48001-JD90B	NISSAN	981, 1006	0603508	GJ21-32-240	MAZDA	725
0603271	48001-JD90B	RENAULT	1202	0603508	GJ22-32-240	MAZDA	725
0603271	D8521-JD00B	NISSAN	981, 1006	0603575	48521-35A00	NISSAN	980, 990-991
0603271	D8521-JD00B	RENAULT	1202	0603575	48521-35A06	NISSAN	980, 990-991
0603271	D8521-JG00A	NISSAN	981, 1006	0603577	48521-M3070	NISSAN	937, 978
0603271	D8521-JG00A	RENAULT	1202	0603577	48521-M7000	NISSAN	937, 978
0603272	6N0422803C *	VOLKSWAGEN	1626, 1660	0603593	7313-10140	SUBARU	1414
0603272	6N0422804C *	SEAT	1315	0603597	31310-GA170	SUBARU	1421
0603272	6N0422804C *	VOLKSWAGEN	1626, 1660	0603598	31310-GA120	SUBARU	1421
0603272	6N0422803C *	SEAT	1315	0603599	31310-GA151	SUBARU	1421
0603278	53010-S84-A01	HONDA	506	0603602	48521-X08G1	NISSAN	997
0603280	53010-TA0-A01	HONDA	509	0603605	34160-XA010	SUBARU	1413
0603280	53610-TL1-G01	HONDA	509	0603607	48830-78000	SUZUKI	1423
0603286	53610-SNB-J01	HONDA	517	0603607	48830-78001	SUZUKI	1423
0603286	53610-SNR-A01	HONDA	517	0603625	45503-19085	TOYOTA	1464
0603287	53010-SNA-A01	HONDA	517	0603625	45503-29175	TOYOTA	1464
0603287	53010-SNE-A01	HONDA	517	0603625	45503-39015	TOYOTA	1464
0603294	53010-TF0-003	HONDA	527	0603631	45503-29105	TOYOTA	1465, 1472, 1491
0603294	53010TF0003	HONDA	527	0603631	45503-39025	TOYOTA	1465, 1472, 1491
0603305	45503-87703	DAIHATSU	322	0603631	45503-39105	TOYOTA	1465, 1472, 1491
0603308	45503-87705	DAIHATSU	323	0603636	45503-29010	TOYOTA	1468, 1472, 1489, 1516
0603317	45503-87702	DAIHATSU	321	0603636	45503-29015	TOYOTA	1468, 1472, 1489, 1516
0603343	53521-SB2-003	HONDA	511, 525, 536	0603636	45503-29016	TOYOTA	1468, 1472, 1489, 1516
0603343	53521-SB2-013	HONDA	511, 525, 536	0603636	45503-29125	TOYOTA	1468, 1472, 1489, 1516
0603347	53521-SA5-000	HONDA	502	0603639	45503-19035	TOYOTA	1469, 1477, 1490
0603347	53521-SA5-003	HONDA	502	0603640	45503-19055	TOYOTA	1469, 1477, 1490
0603362	57730-33200	HYUNDAI	566	0603641	45503-19036	TOYOTA	1469, 1477, 1491
0603363	56540-21001	HYUNDAI	562	0603642	45503-19056	TOYOTA	1469, 1477, 1491
0603363	56540-21010	HYUNDAI	562	0603644	45503-29075	TOYOTA	1472, 1491
0603364	57730-24100	HYUNDAI	563	0603647	45503-29165	TOYOTA	1470, 1492
0603365	56540-22000	HYUNDAI	539, 563	0603648	45503-29155	TOYOTA	1470, 1492
0603365	56540-24000	HYUNDAI	539, 563	0603659	45460-19115	TOYOTA	1476-1477, 1529, 1532
0603365	56540-24001	HYUNDAI	539, 563	0603659	45503-10020	TOYOTA	1476-1477, 1529, 1532
0603366	57730-24000	HYUNDAI	563	0603659	45503-19015	TOYOTA	1476-1477, 1529, 1532
0603371	5-44350-095-0	ISUZU	583, 585	0603659	45503-19035	TOYOTA	1476-1477, 1529, 1532
0603371	5-44350-095-1	ISUZU	583, 585	0603659	45503-19045	TOYOTA	1476-1477, 1529, 1532
0603371	5-44350-095-2	ISUZU	583, 585	0603664	45503-19125	TOYOTA	1480
0603371	5-44350-095-3	ISUZU	583, 585	0603665	45503-19135	TOYOTA	1480
0603384	B001-32-135	MAZDA	716	0603669	45503-29355	TOYOTA	1466
0603385	B038-32-135	MAZDA	716	0603669	45503-39135	TOYOTA	1466
0603385	BA29-32135	MAZDA	716	0603676	45503-19025	TOYOTA	1477, 1533
0603388	B092-32-240	MAZDA	717	0603679	45503-19116	TOYOTA	1479
0603389	B094-32-240	MAZDA	717	0603692	45503-19085	TOYOTA	1490
0603396	B455-32-24X	MAZDA	718	0603692	45503-29025	TOYOTA	1490
0603396	BS06-32-240	MAZDA	718	0603692	45503-29105	TOYOTA	1490
0603397	B455-32-25X	MAZDA	718				
0603397	B456-32-25X	MAZDA	718				
0603421	H001-32-240	MAZDA	729				
0603422	H002-32-240	MAZDA	729				
0603436	MB-122135	MITSUBISHI	886				
0603441	MB-243373	MITSUBISHI	886				
0603441	MB-315586	MITSUBISHI	886				
0603442	MB-350718	MITSUBISHI	873				
0603442	MB-501530	MITSUBISHI	873				
0603443	MB-347666	MITSUBISHI	873				
0603444	MB-553249	MITSUBISHI	874				
0603445	MB-910934	MITSUBISHI	874-875				
0603479	MB-266152	MITSUBISHI	881, 918				
0603479	MB-315160	MITSUBISHI	881, 918				

RIF. OCAP OCAP REF.	RIF. ORIG. O.E. NUMBER	MARCA MAKE	PAG.	RIF. OCAP OCAP REF.	RIF. ORIG. O.E. NUMBER	MARCA MAKE	PAG.
0603692	45503-29175	TOYOTA	1490	0603885	6Q0423803G *	SEAT	1331
0603692	45503-39015	TOYOTA	1490	0603885	6Q0423803G *	SKODA	1360, 1385
0603692	45503-39025	TOYOTA	1490	0603885	6Q0423803G *	VOLKSWAGEN	1587, 1665
0603694	45503-29435	TOYOTA	1471, 1520	0603885	6Q0423804G *	SEAT	1331
0603694	45503-29615	TOYOTA	1471, 1520	0603885	6Q0423804G *	SKODA	1360, 1385
0603732	45503-19075	TOYOTA	1530	0603885	6Q0423804G *	VOLKSWAGEN	1587, 1665
0603800	57730-24000	HYUNDAI	559	0603885	6Q0423810C *	SEAT	1331
0603800	57730-28000	HYUNDAI	559	0603885	6Q0423810C *	SKODA	1360, 1385
0603803	1603229 *	OPEL	1063	0603885	6Q0423810C *	VOLKSWAGEN	1587, 1665
0603803	1603229 *	VAUXHALL	1567	0603892	900905	OPEL	1035
0603803-K	1603229	OPEL	1063	0603892	900905	VAUXHALL	1559
0603803-K	1603229	VAUXHALL	1567	0603892	97184819	OPEL	1035
0603803-K	93172256	OPEL	1063	0603892	97184819	VAUXHALL	1559
0603803-K	93172256	VAUXHALL	1567	0603958	57724-0X000	HYUNDAI	550
0603811	4501261 *	NISSAN	939	0603964	1044014	FORD	436, 438, 473
0603811	4501261 *	OPEL	1049	0603964	1044014	MAZDA	709
0603811	4501261 *	RENAULT	1209	0603964	1E00-32-240	FORD	436, 438, 473
0603811	4501261 *	VAUXHALL	1561	0603964	1E00-32-240	MAZDA	709
0603811	48521-00QAF	NISSAN	939	0603968	3903147	FORD	463-464, 466
0603811	48521-00QAF	OPEL	1049	0603968	3903147	MAZDA	746
0603811	48521-00QAF	RENAULT	1209	0603968	4097368	FORD	463-464, 466
0603811	48521-00QAF	VAUXHALL	1561	0603968	4097368	MAZDA	746
0603811	7701470362 *	NISSAN	939	0603968	6832049	FORD	463-464, 466
0603811	7701470362 *	OPEL	1049	0603968	6832049	MAZDA	746
0603811	7701470362 *	RENAULT	1209	0603968	6832049	FORD	463-464, 466
0603811	7701470362 *	VAUXHALL	1561	0603968	6832049	MAZDA	746
0603811-K	4501261	OPEL	1049	0603968	7294416	FORD	463-464, 466
0603811-K	4501261	VAUXHALL	1561	0603968	7294416	MAZDA	746
0603811-K	7701470362	OPEL	1049	0603968	7294416	FORD	463-464, 466
0603811-K	7701470362	RENAULT	1209	0603968	7294416	MAZDA	746
0603811-K	7701470362	VAUXHALL	1561	0603968	EC01-32-240	FORD	463-464, 466
0603811-K	9161561	OPEL	1049	0603968	EC01-32-240	MAZDA	746
0603811-K	9161561	VAUXHALL	1561	0603968	EC01-32-240A	FORD	463-464, 466
0603816	3812E2	CITROEN	276	0603968	EC01-32-240A	MAZDA	746
0603816	3812E2	PEUGEOT	1151	0603968	EC01-32-240A	FORD	463-464, 466
0603816	77362280	FIAT	399	0603968	EC01-32-240A	MAZDA	746
0603816	77362280	LANCIA	666	0603968	YL8Z-3280-EA	FORD	463-464, 466
0603820	4342539	FORD	440	0603968	YL8Z-3280-EA	MAZDA	746
0603820	4342539	MAZDA	710	0604036	5272500AE	CHRYSLER	236
0603820	4472940	FORD	440	0604070	56540-2H000	HYUNDAI	554
0603820	4472940	MAZDA	710	0604070	56540-2H000	KIA	619
0603820	DE90-32-240	FORD	440	0604076	57724-1J000	HYUNDAI	552
0603820	DE90-32-240	MAZDA	710	0604082	57724-2B000	HYUNDAI	565
0603832	77362502	FIAT	367	0604090	57724-3K000	HYUNDAI	571
0603832	77362502	LANCIA	665	0604105	381293	CITROEN	277, 303
0603840	274179	VOLVO	1724	0604105	381293	PEUGEOT	1108, 1125
0603840	274353	VOLVO	1724, 1734	0604105	381295	CITROEN	277, 303
0603867	1763991	FORD	498	0604105	381295	PEUGEOT	1108, 1125
0603867	BK213L519AA	FORD	498	0604105	381297	CITROEN	277, 303
0603876	7701472766 *	RENAULT	1204	0604105	381297	PEUGEOT	1108, 1125
0603876	7701478551 *	RENAULT	1204	0604105	381297	CITROEN	277, 303
0603876-K	7701472766	RENAULT	1204	0604105	96136394	CITROEN	277, 303
0603876-K	7701478551	RENAULT	1204	0604105	96136394	PEUGEOT	1108, 1125
0603883	77362506	FIAT	377	0604108	57724-1D000	KIA	616, 626
0603884	6Q0423803E *	SEAT	1331	0604108	57724-1D010	KIA	616, 626
0603884	6Q0423803E *	SKODA	1361, 1385	0604108	57724-2G000	KIA	616, 626
0603884	6Q0423803E *	VOLKSWAGEN	1587, 1666	0604108	57724-2G010	KIA	616, 626
0603884	6Q0423804E *	SEAT	1331	0604125	4410A173	MITSUBISHI	896
0603884	6Q0423804E *	SKODA	1361, 1385	0604129	MR-491358	MITSUBISHI	887
0603884	6Q0423804E *	VOLKSWAGEN	1587, 1666	0604134	1607502580 *	CITROEN	265
0604202	7701470763 *	RENAULT	1198	0604134	1607502580 *	MITSUBISHI	866, 903
0604202-K	7701470763	RENAULT	1198	0604134	1607502580 *	PEUGEOT	1154
0604203	48521-00QAA	NISSAN	941, 970	0604134	4422A076	CITROEN	265
0604203	48521-00QAA	RENAULT	1185, 1199	0604134	4422A076	MITSUBISHI	866, 903
				0604134	4422A076	PEUGEOT	1154
				0604140	4422A036	MITSUBISHI	910
				0604171	7701474448 *	RENAULT	1217, 1256
				0604171-K	7701474448	RENAULT	1217, 1256
				0604202	7701470763 *	RENAULT	1198
				0604202-K	7701470763	RENAULT	1198
				0604203	48521-00QAA	NISSAN	941, 970
				0604203	48521-00QAA	RENAULT	1185, 1199

RIF. OCAP OCAP REF.	RIF. ORIG. O.E. NUMBER	MARCA MAKE	PAG.	RIF. OCAP OCAP REF.	RIF. ORIG. O.E. NUMBER	MARCA MAKE	PAG.
0604203	7701472113 *	NISSAN	941, 970	0604345	3M513L519AA	VOLVO	1716, 1721
0604203	7701472113 *	RENAULT	1185, 1199	0604345	3M513L519AB	FORD	446, 449, 460- 461, 486
0604203-K	7701472113	RENAULT	1185, 1199	0604345	3M513L519AB	VOLVO	1716, 1721
0604206	77362380	LANCIA	672	0604352	1603016 *	OPEL	1044
0604207	9949311	LANCIA	669	0604352	1603016 *	VAUXHALL	1560
0604211	521257	CHEVROLET - DAEWOO 227		0604352-K	1603016	OPEL	1044
0604212	KBJR45	CHEVROLET - DAEWOO 227		0604352-K	1603016	VAUXHALL	1560
0604217	32106774347 *	BMW	168, 179	0604352-K	26110429	OPEL	1044
0604217	32106777479 *	BMW	168, 179	0604352-K	26110429	VAUXHALL	1560
0604217	32216762403 *	BMW	168, 179	0604353	1603239 *	OPEL	1044
0604250	6394600055 *	MERCEDES	847	0604353	1603239 *	VAUXHALL	1560
0604250-K	6394600055	MERCEDES	847	0604353-K	1603239	OPEL	1044
0604254	521564	CHEVROLET - DAEWOO 233		0604353-K	1603239	VAUXHALL	1560
0604254	93740621	CHEVROLET - DAEWOO 233		0604353-K	26102922	OPEL	1044
0604264	93741074	CHEVROLET - DAEWOO 228		0604353-K	26102922	VAUXHALL	1560
0604266	93741092	CHEVROLET - DAEWOO 228		0604358	1603264 *	OPEL	1020
0604270	4144600205 *	MERCEDES	844	0604358	1603264 *	VAUXHALL	1544
0604270-K	4143300035	MERCEDES	844	0604358-K	1603264	OPEL	1020
0604270-K	4144600205	MERCEDES	844	0604358-K	1603264	VAUXHALL	1544
0604273	2113302903	MERCEDES	791	0604358-K	93181229	OPEL	1020
0604273	2113380015	MERCEDES	791	0604358-K	93181229	VAUXHALL	1544
0604280	1K0423810A	AUDI	42, 46, 89	0604361	53521-S9A-003	HONDA	521
0604280	1K0423810A	SEAT	1309, 1347	0604364	53010-SDA-A01	HONDA	507
0604280	1K0423810A	SKODA	1376, 1391	0604372	1603252 *	OPEL	1063
0604280	1K0423810A	VOLKSWAGEN	1580, 1605, 1610, 1613, 1616, 1619, 1647, 1652, 1673, 1678, 1680, 1690, 1694	0604372	1603252 *	VAUXHALL	1567
0604286	1317453	FORD	446	0604372-K	1603252	OPEL	1063
0604286	1377655	FORD	446	0604372-K	1603252	VAUXHALL	1567
0604293	48830A78B00	CHEVROLET - DAEWOO 234		0604372-K	93178160	OPEL	1063
0604295	53521-S5A-003	HONDA	516	0604372-K	93178160	VAUXHALL	1567
0604295	53541-S5A-000	HONDA	516	0604373	1603244 *	OPEL	1063
0604319	45503-19205	TOYOTA	1481-1482	0604373	1603244 *	VAUXHALL	1567
0604319	45503-29385	TOYOTA	1481-1482	0604373	1603416	FIAT	351
0604322	45503-29285	TOYOTA	1521	0604373	1609050	FIAT	351
0604322	45503-29295	TOYOTA	1521	0604373	93175520 *	SAAB	1299
0604326	7L0422821	AUDI	94	0604373	93191672	FIAT	351
0604326	7L0422821	PORSCHE	1170	0604373-K	1603244	OPEL	1063
0604326	7L0422821	VOLKSWAGEN	1571, 1688	0604373-K	1603244	VAUXHALL	1567
0604331	45504-28030	TOYOTA	1522	0604373-K	93175520	OPEL	1063
0604345	1251937	FORD	446, 449, 460-461, 486	0604373-K	93175520	SAAB	1299
0604345	1251937	VOLVO	1716, 1721	0604373-K	93175520	VAUXHALL	1567
0604345	1510270	FORD	446, 449, 460-461, 486	0604382	3812E3	CITROEN	274
0604345	1510270	VOLVO	1716, 1721	0604382	3812E3	PEUGEOT	1134
0604345	1714484	FORD	446, 449, 460-461, 486	0604382	3812E7	CITROEN	274
0604345	1714484	VOLVO	1716, 1721	0604403	7701473443	RENAULT	1254
0604345	1780104	FORD	446, 449, 460-461, 486	0604419	45503-05010	TOYOTA	1471
0604345	1780104	VOLVO	1716, 1721	0604420	45503-49035	TOYOTA	1473
0604345	274502	FORD	446, 449, 460-461, 486	0604422-K	7701474076	RENAULT	1193
0604345	274502	VOLVO	1716, 1721	0604424	4408474 *	NISSAN	954, 972
0604345	31201817	FORD	446, 449, 460-461, 486	0604424	4408474 *	OPEL	1065, 1067
0604345	31201817	VOLVO	1716, 1721	0604424	4408474 *	RENAULT	1267, 1269
0604345	3M513L519AA	FORD	446, 449, 460-461, 486	0604424	4408474 *	VAUXHALL	1570
				0604424	48520-00QAM *	NISSAN	954
				0604424	48520-00QAM	NISSAN	972
				0604424	48520-00QAM	OPEL	1065, 1067
				0604424	48520-00QAM	RENAULT	1267, 1269
				0604424	48520-00QAM	VAUXHALL	1570
				0604424	7701473333 *	NISSAN	954, 972
				0604424	7701473333 *	OPEL	1065, 1067
				0604424	7701473333 *	RENAULT	1267, 1269
				0604424	7701473333 *	VAUXHALL	1570
				0604424-K	4408474	NISSAN	954
				0604424-K	4408474	OPEL	1065, 1067
				0604424-K	4408474	RENAULT	1267, 1269
				0604424-K	4408474	VAUXHALL	1570

RIF. OCAP OCAP REF.	RIF. ORIG. O.E. NUMBER	MARCA MAKE	PAG.	RIF. OCAP OCAP REF.	RIF. ORIG. O.E. NUMBER	MARCA MAKE	PAG.
0604424-K	48520-00QAM	NISSAN	954	0605169	13271996 *	SAAB	1303
0604424-K	7701473333	NISSAN	954	0605169	6606030 *	OPEL	1037
0604424-K	7701473333	OPEL	1065, 1067	0605169	6606030 *	SAAB	1303
0604424-K	7701473333	RENAULT	1267, 1269	0605169-K	13271996	OPEL	1037
0604424-K	7701473333	VAUXHALL	1570	0605169-K	13271996	SAAB	1303
0604424-K	91160037	NISSAN	954	0605169-K	6606030	OPEL	1037
0604424-K	91160037	OPEL	1065, 1067	0605169-K	6606030	SAAB	1303
0604424-K	91160037	RENAULT	1267, 1269	0605171	3812F3 *	CITROEN	272
0604424-K	91160037	VAUXHALL	1570	0605171	3812F3 *	PEUGEOT	1142
0604437	E016-32-25X	MAZDA	719, 737	0605171-K	3812F3	CITROEN	272
0604438	B21H-32-25X	MAZDA	719	0605171-K	3812F3	PEUGEOT	1142
0604443	NA01-32-240	MAZDA	738	0605180	48830-78A00	SUZUKI	1427
0604448	1693300703 *	MERCEDES	757	0605199	45503-09321	TOYOTA	1505
0604450	6A2A-32-240	MAZDA	726, 742, 747	0605336	485210001R	RENAULT	1206
0604450	GA2A-32-250	MAZDA	726, 742, 747	0605337	4808602 *	CHEVROLET - DAEWOO 220	
0604453	57730-24000	HYUNDAI	540, 549	0605337	4808602 *	OPEL	1011
0604453	57730-43010	HYUNDAI	540, 549	0605337	4817547 *	CHEVROLET - DAEWOO 220	
0604453	57755-25000	HYUNDAI	540, 549	0605337	4817547 *	OPEL	1011
0604453	57775-25000	HYUNDAI	540, 549	0605337	96626521 *	CHEVROLET - DAEWOO 220	
0604458	57755-02000	HYUNDAI	542	0605337	96626521 *	OPEL	1011
0604478	274224	VOLVO	1720	0605339	4513380137 *	SMART	1400
0604491	48521-0C025	NISSAN	946	0605345	2123302103	MERCEDES	794
0604491	48521-40U25	NISSAN	946	0605347	QJB500060	LAND ROVER	689
0604510	48521-1M210	NISSAN	924	0605347	TIQ000040	LAND ROVER	689
0604510	48521-1M225	NISSAN	924	0605494	56540-0U500	KIA	634
0604510	48521-1M226	NISSAN	924	0605496	57724-3Z000	HYUNDAI	556
0604512	48521-8H300	NISSAN	1005	0605499	45503-49025	LEXUS	703
0604512	48521-8H325	NISSAN	1005	0605499	45503-49095	LEXUS	703
0604512	48521-8H385	NISSAN	1005	0605500	45503-39155	LEXUS	699
0604517	57785-26200	HYUNDAI	564	0605556	32106787472 *	BMW	203
0604518	57755-22000	HYUNDAI	539	0605559	1713380015	MERCEDES	836
0604522	BP4L-32-240	MAZDA	712	0605570	8-98055-744-0	ISUZU	580
0604533	53010-S10-000	HONDA	520	0605571	8-98056-550-0	ISUZU	580
0604533	53010-S10-003	HONDA	520	0605574	1S0423810A	SEAT	1352
0604535	53521-SP0-004	HONDA	529	0605574	1S0423810A	SKODA	1358
0604540	53010-SW5-003	HONDA	530	0605574	1S0423810A	VOLKSWAGEN	1707
0604545	53010-S50-003	HONDA	531	0605580	1608025380	CITROEN	267
0604548	53010-SS0-000	HONDA	534	0605580	1608025380	PEUGEOT	1102, 1104
0604556	45503-69015	TOYOTA	1512	0605583	48521-1071R *	RENAULT	1181, 1189
0604557	45503-69025	TOYOTA	1512	0605585	NE51-32-240	MAZDA	741
0604566	57724-4D000	KIA	618	0605589	48830-54G00	SUZUKI	1432
0604574	0K72A-32-270	KIA	623, 630	0605591	68028831AA	CHRYSLER	240
0604575	0K60A-32-270	KIA	623	0605591	68028831AC	CHRYSLER	240
0604578	57724-07100	KIA	627	0605591	68028831AR	CHRYSLER	240
0604588	E016-32-250	MAZDA	719	0605593	95967294	CHEVROLET - DAEWOO 232	
0604592	GJ6E-32-240	MAZDA	721	0605594	1609213	CHEVROLET - DAEWOO 219, 235	
0604600	3812.F6	CITROEN	258	0605594	1609213	OPEL	1047
0604600	3812F6	CITROEN	258	0605594	95952929	CHEVROLET - DAEWOO 219, 235	
0604601	7701467236 *	RENAULT	1242, 1249	0605594	95952929	OPEL	1047
0604601	7701467237 *	RENAULT	1242, 1249	0605595	95218372	CHEVROLET - DAEWOO 219	
0604601	7701467238 *	RENAULT	1242, 1249	0605598	D8521-1HA0A	NISSAN	950
0604605	32106784716 *	BMW	171, 176, 181, 193	0605728	57724-1Y000	KIA	628
0604605	32106784719 *	BMW	171, 176, 181, 193	0605729	57724-1Y501	KIA	628
0604617	48521-EA000	NISSAN	958	0605738	56540-A6000	HYUNDAI	555
0604630	49001-AV610	NISSAN	977	0605738	56540-A6000	KIA	620
0604630	49001-BA210 *	NISSAN	977	0605739	D8521-1AA0A	NISSAN	952
0604639	48520-9C025 *	NISSAN	985	0605739	D8E21-1AA0A	NISSAN	952
0604644	48521-27N00	NISSAN	999	0605740	485218799R	RENAULT	1207
0605167	13286687	OPEL	1022	0605741	3812.G3 *	PEUGEOT	1140
0605167	1609027	OPEL	1022	0605741	3812G3 *	PEUGEOT	1140
0605168	13314465	OPEL	1022	0605741-K	3812.G3	PEUGEOT	1140
0605168	1609029	OPEL	1022	0605741-K	3812G3	PEUGEOT	1140
0605169	13271996 *	OPEL	1037	0605742	2463380000	MERCEDES	759, 777
				0605742	A2463380000	MERCEDES	759, 777
				0605745	1609205	CHEVROLET - DAEWOO 235	

RIF. OCAP OCAP REF.	RIF. ORIG. O.E. NUMBER	MARCA MAKE	PAG.	RIF. OCAP OCAP REF.	RIF. ORIG. O.E. NUMBER	MARCA MAKE	PAG.
0605745	1609205	OPEL	1047	0608080	13278358	CHEVROLET - DAEWOO 221	
0605745	95932789	CHEVROLET - DAEWOO 235		0608080	13278358	OPEL	1022
0605745	95932789	OPEL	1047	0608080	13314168	CHEVROLET - DAEWOO 221	
0605754	77367378 *	FIAT	397	0608080	13314168	OPEL	1022
0605755	48830-68L00	SUZUKI	1437	0608080	920005	CHEVROLET - DAEWOO 221	
0605756	68040223AD *	FIAT	366	0608080	920005	OPEL	1022
0605756	68040223AE *	FIAT	366	0608080	920007	CHEVROLET - DAEWOO 221	
0605756	K68040223AA *	FIAT	366	0608080	920007	OPEL	1022
0605756	K68040223AB *	FIAT	366	0608083	4G0423810A	AUDI	57, 74, 76, 84, 91
0605756	K68040223AD *	FIAT	366	0608083	4G0423810A	PORSCHE	1174
0605756	K68040223AE *	FIAT	366	0608085	32106799960 *	BMW	133, 154, 156
0605756-K	68040223AD	FIAT	366	0608085	32106799965 *	BMW	133, 154, 156
0605756-K	68040223AE	FIAT	366	0608089	31280408	VOLVO	1732
0605756-K	K68040223AA	FIAT	366	0608091	D651-32-240	MAZDA	711
0605756-K	K68040223AB	FIAT	366	0608091	D653-32-240	MAZDA	711
0605756-K	K68040223AD	FIAT	366	0608092	57724-2S000	HYUNDAI	558
0605756-K	K68040223AE	FIAT	366	0608092	57724-2S000	KIA	643
0605769	1611242380	PEUGEOT	1123	0608093	56540-2K000	HYUNDAI	557
0605770	4534630000 *	RENAULT	1273	0608093	56540-2K000	KIA	640, 644
0605770	4534630000 *	SMART	1401, 1403	0608095	GS1D-32-240	MAZDA	722
0605770	485215653 *	RENAULT	1273	0608097	EG21-32-240	MAZDA	733
0605770	485215653 *	SMART	1401, 1403	0608098	13286688	CHEVROLET - DAEWOO 231	
0605771	2054600805	MERCEDES	774	0608098	13286688	OPEL	1070
0605771	A2054600805	MERCEDES	774	0608098	1609184	CHEVROLET - DAEWOO 231	
0605774	53010-T0A-A01	HONDA	523	0608098	1609184	OPEL	1070
0605775	LR026271	LAND ROVER	682, 692	0608098	1609184	OPEL	1070
0605776	97034713300	PORSCHE	1176	0608099	485213172R	DACIA	316, 319
0605783	48001-4EH0A *	NISSAN	983	0608099	485213172R	RENAULT	1264
0605783	48001-4EH0A *	RENAULT	1196	0608501	485216564R	RENAULT	1220, 1258
0605783	48521-2518R *	NISSAN	983	0608509	32106854733 *	MINI	861
0605783	48521-2518R *	RENAULT	1196	0608509	32106854736 *	MINI	861
0605784	1663380315	MERCEDES	809	0608521	D8521-MB40A	NISSAN	936
0605797	13464344 *	OPEL	1024	0608522	D8521-MD00A	NISSAN	936
0605802	2054600405	MERCEDES	774, 800	0608524	32106868688 *	BMW	174
0606489	6C0423810B	AUDI	31	0608524	32106868689 *	BMW	174
0606489	6C0423810B	SEAT	1335	0608534	32106867404 *	BMW	135, 199
0606489	6C0423810B	SKODA	1366, 1383	0608534	32106867404 *	MINI	865
0606489	6C0423810B	VOLKSWAGEN	1669	0608534	32106867405 *	BMW	135, 199
0606489	6C0423810C	AUDI	31	0608534	32106867405 *	MINI	865
0606489	6C0423810C	SEAT	1335	0608675	2N0423810	MAN	705
0606489	6C0423810C	SKODA	1366, 1383	0608675	2N0423810	VOLKSWAGEN	1585
0606489	6C0423810C	VOLKSWAGEN	1669	0608675	65467100000	MAN	705
0606490	7701471885	RENAULT	1214	0608675	65467100000	VOLKSWAGEN	1585
0606491	E112-32-240	FORD	463	0608676	600697200A *	TESLA	1452
0606491	E112-32-240	MAZDA	746	0608677	104474100E *	TESLA	1452, 1454
0606499	2043380315	MERCEDES	771, 794, 802	0608680	485212309R	RENAULT	1194
0606499	2043380515	MERCEDES	771, 794, 802	0608830	56540-B4000	HYUNDAI	551
0606500	48521-CA025	NISSAN	951	0608837	2090582	FORD	443
0606927	7820249212	IVECO	587	0608844	4474600055	MERCEDES	849
0607552	42532977	IVECO	588	0608851	56540-C8000	HYUNDAI	553
0608063	53010-SWA-A01	HONDA	522	0608853	8W0423810	AUDI	61
0608069	1754076	FORD	449	0608853	8W0423810A	AUDI	61
0608069	1836649	FORD	449	0608863	2Q0423810D	AUDI	34
0608069	1899978	FORD	449	0608863	2Q0423810D	SEAT	1311, 1338
0608071	48001-1KA0B *	NISSAN	940	0608863	2Q0423810D	VOLKSWAGEN	1671
0608071	48001-1KA0D	NISSAN	940	0608867	LR033529	LAND ROVER	690, 695
0608071	D85211KA0A	NISSAN	940	0608874	53010-SWC-G01	HONDA	522
0608073	45046-19415 *	TOYOTA	1457, 1484	0608874	53010-SWC-G02	HONDA	522
0608073	45047-19215 *	TOYOTA	1457, 1484	0608876	56540-A0000	HYUNDAI	543
0608077	3812F1	CITROEN	285	0608882	1824228	FORD	455, 472
0608077	3812F1	MITSUBISHI	888, 902	0608886	1623140880	CITROEN	259
0608077	3812F1	PEUGEOT	1153	0608889	50544042 *	ALFA ROMEO	23, 29
0608077	4422A012	CITROEN	285	0608889	50553575 *	ALFA ROMEO	23, 29
0608077	4422A012	MITSUBISHI	888, 902	0608889	50557132 *	ALFA ROMEO	23, 29
0608077	4422A012	PEUGEOT	1153	0609237	6Q0419803F *	SKODA	1360

RIF. OCAP OCAP REF.	RIF. ORIG. O.E. NUMBER	MARCA MAKE	PAG.	RIF. OCAP OCAP REF.	RIF. ORIG. O.E. NUMBER	MARCA MAKE	PAG.
0609237	6Q0419803F *	VOLKSWAGEN	1665	0692799	NC10-32-250A	MAZDA	739
0609237	6Q0419804F *	SKODA	1360	0693288	53010-SMG-E01	HONDA	517
0609237	6Q0419804F *	VOLKSWAGEN	1665	0693288	53010SMGE01	HONDA	517
0609255	5235585	SAAB	1301	0693387	B093-32-250	MAZDA	717
0609255	5239330	SAAB	1301	0693401	G037-32-250C	MAZDA	724
0609255	93194335	SAAB	1301	0693868	4059923	FORD	495
0609282	45503-29785	LEXUS	700	0694081	57724-2P100	KIA	639
0609282	45503-39105	LEXUS	700	0694369	53011-SAA-J01	HONDA	526
0609283	45503-30070	LEXUS	702	0694369	53011-SEL-003	HONDA	526
0609283	45503-30090	LEXUS	702	0694434	B25D-32-240	MAZDA	720, 743
0609284	45503-49125	LEXUS	704	0694444	D10232240A	MAZDA	734
0609422	42569566	IVECO	591	0695194	57724-4H000	HYUNDAI	548
0680348	G030-32-240A	MAZDA	724	0700071	357407151	VOLKSWAGEN	1637, 1640
0680423	H261-32-240A	MAZDA	729	0700071	357407153	VOLKSWAGEN	1637, 1640
0681755	MR-455090	MITSUBISHI	915	0700104	1H0407151 **	VOLKSWAGEN	1597
0681759	MR-455092	MITSUBISHI	920	0700203	1H0407151	VOLKSWAGEN	1597
0681975	OK2A1-32-240	KIA	615, 636	0700231	007304443	SKODA	1367
0681990	OK552-32-250	KIA	617	0700278	5976943	FIAT	375
0682471	57731-3E010	KIA	637	0700287	6N0407151	SEAT	1313
0682555	QFK500020	LAND ROVER	680	0700287	6N0407151	VOLKSWAGEN	1661
0682631	48830-79J00	FIAT	390	0700287	6N0407151B	SEAT	1313
0682631	4883079J00	FIAT	390	0700287	6N0407151B	VOLKSWAGEN	1661
0682631	48830-79J00	SUZUKI	1438	0700403	191407151B	SEAT	1327, 1329
0682631	4883079J00	SUZUKI	1438	0700403	191407151B	VOLKSWAGEN	1578, 1594, 1663
0682771	57724-1G100	KIA	633	0700463	893407147G	AUDI	107-108, 110
0682799	NC10-32-240A	MAZDA	739	0700463	893407147G	VOLKSWAGEN	1633
0683288	53011-SMG-E01	HONDA	517	0700495	LMB-002307	MITSUBISHI	890
0683288	53011SMGE01	HONDA	517	0700575	4408138	AUTOBIANCHI	127
0683387	B093-32-240	MAZDA	717	0700575	4408138	FIAT	375
0683387	BF67-32-240	MAZDA	717	0700575	5995503	AUTOBIANCHI	127
0683401	G037-32-240C	MAZDA	724	0700575	5995503	FIAT	375
0683868	4059924	FORD	495	0700575	7585137	AUTOBIANCHI	127
0684016	EV118	FORD	484	0700575	SE-28140104A	SEAT	1351
0684016	EV120	FORD	484	0700694	7701552545	RENAULT	1231, 1237
0684081	57724-2P000	KIA	639	0700695	7700562943	RENAULT	1231, 1237
0684369	53010-SAA-J01	HONDA	526	0700695	7701590974	RENAULT	1231, 1237
0684369	53010-SEL-003	HONDA	526	0700698	7700622244	RENAULT	1237, 1239
0684434	B25D-32-250	MAZDA	720, 743	0700747	191407151B *	VOLKSWAGEN	1594
0684444	D10232250A	MAZDA	734	0701062	6N0407151A	SEAT	1316
0685194	57724-4H100	HYUNDAI	548	0701062	6N0407151A	VOLKSWAGEN	1627, 1662
0690348	G030-32-250A	MAZDA	724	0701062	6X0407151A	SEAT	1316
0690423	H260-32-240A	MAZDA	729	0701062	6X0407151A	VOLKSWAGEN	1627, 1662
0691223	48521-01F00	NISSAN	923, 932, 943-944, 986	0701237	191407153A *	SEAT	1328, 1330
0691223	48521-01F06	NISSAN	923, 932, 943-944, 986	0701237	191407153A *	VOLKSWAGEN	1595, 1664
0691223	48521-P9001	NISSAN	923, 932, 943-944, 986	0701290	4401813	FIAT	376
0691223	48521-W1000	NISSAN	923, 932, 943-944, 986	0701290	4401813	SEAT	1351
0691223	48521-W1001	NISSAN	923, 932, 943-944, 986	0701535	1377449	FORD	454, 471
0691755	MR-455089	MITSUBISHI	915	0701535	1381443	FORD	454, 471
0691759	MR-455091	MITSUBISHI	920	0701535	1387628	FORD	454, 471
0691975	OK2A2-32-240	KIA	615, 636	0701535	1426770	FORD	454, 471
0691991	OK552-32-250B	KIA	617	0701535	1426770	VOLVO	1727
0691991	OK552-32-270	KIA	617	0701535	30736864	VOLVO	1727
0691991	OK552-32-270A	KIA	617	0701535	30760069	VOLVO	1727
0692471	57732-3E010	KIA	637	0701535	31262930	VOLVO	1727
0692555	QFK500010	LAND ROVER	680	0701814	RGG105211	ROVER GROUP	1293
0692631	48830-79J10	FIAT	390	0701841	0014141V001	SMART	1399
0692631	4883079J10	FIAT	390	0701841	7001V006000000	SMART	1399
0692631	48830-79J10	SUZUKI	1438	0701842	1765V005000000	SMART	1399
0692631	4883079J10	SUZUKI	1438	0701843	4513500129	SMART	1400
0692771	57724-1G000	KIA	633	0701852	6Q0407151D	SEAT	1332
				0701852	6Q0407151D	SKODA	1362, 1386
				0701852	6Q0407151D	VOLKSWAGEN	1588, 1666
				0701852	6Q0407151E	SEAT	1332
				0701852	6Q0407151E	SKODA	1362, 1386

RIF. OCAP OCAP REF.	RIF. ORIG. O.E. NUMBER	MARCA MAKE	PAG.	RIF. OCAP OCAP REF.	RIF. ORIG. O.E. NUMBER	MARCA MAKE	PAG.
0701852	6Q0407151E	VOLKSWAGEN	1588, 1666	0702739	1517403	VOLVO	1717, 1723
0701852	6Q0407151L	SEAT	1332	0702739	1683463	FORD	445, 447, 450
0701852	6Q0407151L	SKODA	1362, 1386	0702739	1683463	MAZDA	713
0701852	6Q0407151L	VOLKSWAGEN	1588, 1666	0702739	1683463	VOLVO	1717, 1723
0701946	45200-50E00	CHEVROLET - DAEWOO 227-228,	234	0702739	31212503	FORD	445, 447, 450
0701946	45200-50E00	SUZUKI	1423	0702739	31212503	MAZDA	713
0701946	45200-69D00	CHEVROLET - DAEWOO 227-228,	234	0702739	31212503	VOLVO	1717, 1723
0701946	45200-69D00	SUZUKI	1423	0702739	8671921	FORD	445, 447, 450
0701946	45200-84000	CHEVROLET - DAEWOO 227-228,	234	0702739	8671921	MAZDA	713
0701946	45200-84000	SUZUKI	1423	0702739	8671921	VOLVO	1717, 1723
0701946	9631-6765	CHEVROLET - DAEWOO 227-228,	234	0702739	BP4K-28-C10B	FORD	445, 447, 450
0701946	96316765	CHEVROLET - DAEWOO 227-228,	234	0702739	BP4K-28-C10B	MAZDA	713
0701946	9631-6765	SUZUKI	1423	0702739	BP4K-28-C10B	VOLVO	1717, 1723
0701946	96316765	SUZUKI	1423	0702752	1061666	FORD	445
0701960	MR-197284	MITSUBISHI	876	0702752	1064128	FORD	445
0702048	3054071553C	VOLKSWAGEN	1590	0702752	1150353	FORD	445
0702048	823407147	AUDI	105	0702785	46300-60B00	SUZUKI	1435
0702048	823407147	VOLKSWAGEN	1590, 1632	0702785	46300-60B10	SUZUKI	1435
0702133	13105744	SAAB	1300	0702849	OK011-34-300D	KIA	641
0702133	13204115	SAAB	1300	0702849	OK011-34-300E	KIA	641
0702133	13230274	SAAB	1300	0702849	OK011-34-300F	KIA	641
0702133	423008	OPEL	1064	0702882	1J0407151A	AUDI	39
0702133	423033	OPEL	1064	0702882	1J0407151A	SEAT	1341
0702133	423035	OPEL	1064	0702882	1J0407151A	SKODA	1374
0702133	51748740	FIAT	352	0702882	1J0407151A	VOLKSWAGEN	1575, 1602, 1629
0702133	51783009	FIAT	352	0702882	1J0407151B	AUDI	39
0702146	50705032	ALFA ROMEO	13	0702882	1J0407151B	SEAT	1341
0702272	1117859	JAGUAR	597	0702882	1J0407151B	SKODA	1374
0702272	1118921	FORD	469	0702882	1J0407151B	VOLKSWAGEN	1575, 1602, 1629
0702272	1118921	JAGUAR	597	0702882	1J0407151C	AUDI	39
0702272	1S715K743AB	JAGUAR	597	0702882	1J0407151C	SEAT	1341
0702272	1S715K743AC	JAGUAR	597	0702882	1J0407151C	SKODA	1374
0702273	1118920	FORD	469	0702882	1J0407151C	VOLKSWAGEN	1575, 1602, 1629
0702285	1124242	FORD	469	0703012	8-94226-936-1	ISUZU	583
0702285	1206474	FORD	469	0703129	1K0501529F	AUDI	33, 44, 90
0702285	1206474	JAGUAR	597	0703129	1K0501529F	SEAT	1345
0702285	1S715K898AF	JAGUAR	597	0703129	1K0501529F	SKODA	1378, 1392
0702285	1S715K898AG	JAGUAR	597	0703129	1K0501529F	VOLKSWAGEN	1574, 1582, 1607, 1612, 1618, 1620, 1650, 1675, 1682, 1692, 1695
0702348	33321090030	BMW	165, 167, 170, 180, 190, 192, 207	0703129	1K0501529J	AUDI	33, 44, 90
0702348	33321091620	BMW	165, 167, 170, 180, 190, 192, 207	0703129	1K0501529J	SEAT	1345
0702348	33326770749	BMW	165, 167, 170, 180, 190, 192, 207	0703129	1K0501529J	SKODA	1378, 1392
0702739	1061659	FORD	445, 447, 450	0703129	1K0501529J	VOLKSWAGEN	1574, 1582, 1607, 1612, 1618, 1620, 1650, 1675, 1682, 1692, 1695
0702739	1061659	MAZDA	713	0703129	1K0501530C	AUDI	33, 44, 90
0702739	1061659	VOLVO	1717, 1723	0703129	1K0501530C	SEAT	1345
0702739	1136972	FORD	445, 447, 450	0703129	1K0501530C	SKODA	1378, 1392
0702739	1136972	MAZDA	713	0703129	1K0501530C	VOLKSWAGEN	1574, 1582, 1607, 1612, 1618, 1620, 1650, 1675, 1682, 1692, 1695
0702739	1136972	VOLVO	1717, 1723	0703133	1K0505323D	AUDI	33, 44, 90, 100
0702739	1329730	FORD	445, 447, 450	0703133	1K0505323D	SEAT	1310, 1345
0702739	1329730	MAZDA	713	0703133	1K0505323D	SKODA	1370, 1378
0702739	1329730	VOLVO	1717, 1723				
0702739	1484033	FORD	445, 447, 450				
0702739	1484033	MAZDA	713				
0702739	1484033	VOLVO	1717, 1723				
0702739	1517403	FORD	445, 447, 450				
0702739	1517403	MAZDA	713				

RIF. OCAP OCAP REF.	RIF. ORIG. O.E. NUMBER	MARCA MAKE	PAG.	RIF. OCAP OCAP REF.	RIF. ORIG. O.E. NUMBER	MARCA MAKE	PAG.
			1393	0703133	5Q0505323C	SEAT	1310, 1345
0703133	1K0505323D	VOLKSWAGEN	1574, 1582, 1608, 1612, 1618, 1620, 1650, 1653, 1675, 1679, 1682, 1684, 1692, 1695, 1697	0703133	5Q0505323C	SKODA	1370, 1378, 1393
0703133	1K0505323G	AUDI	33, 44, 90, 100	0703133	5Q0505323C	VOLKSWAGEN	1574, 1582, 1608, 1612, 1618, 1620, 1650, 1653, 1675, 1679, 1682, 1684, 1692, 1695, 1697
0703133	1K0505323G	SEAT	1310, 1345	0703228	2043500029	MERCEDES	772, 776, 796, 801
0703133	1K0505323G	SKODA	1370, 1378, 1393	0703228	2043502706	MERCEDES	772, 776, 796, 801
0703133	1K0505323G	VOLKSWAGEN	1574, 1582, 1608, 1612, 1618, 1620, 1650, 1653, 1675, 1679, 1682, 1684, 1692, 1695, 1697	0703228	2053506303	MERCEDES	772, 776, 796, 801
0703133	1K0505323H	AUDI	33, 44, 90, 100	0703236	33326774476	BMW	209
0703133	1K0505323H	SEAT	1310, 1345	0703273	33326782168	BMW	198
0703133	1K0505323H	SKODA	1370, 1378, 1393	0703330	51350-659-010	HONDA	510
0703133	1K0505323H	VOLKSWAGEN	1574, 1582, 1608, 1612, 1618, 1620, 1650, 1653, 1675, 1679, 1682, 1684, 1692, 1695, 1697	0703330	51350-659-325	HONDA	510
0703133	1K0505323M	AUDI	33, 44, 90, 100	0703330	51350-673-000	HONDA	510
0703133	1K0505323M	SEAT	1310, 1345	0703332	51350-SA0-000	HONDA	510
0703133	1K0505323M	SKODA	1370, 1378, 1393	0703332	51350-SA0-010	HONDA	510
0703133	1K0505323M	VOLKSWAGEN	1574, 1582, 1608, 1612, 1618, 1620, 1650, 1653, 1675, 1679, 1682, 1684, 1692, 1695, 1697	0703332	51350-SA0-030	HONDA	510
0703133	1K0505323N	AUDI	33, 44, 90, 100	0703341	52390-SE0-000	HONDA	503
0703133	1K0505323N	SEAT	1310, 1345	0703341	52390-SE0-003	HONDA	503
0703133	1K0505323N	SKODA	1370, 1378, 1393	0703341	52390-SE0-013	HONDA	503
0703133	1K0505323N	VOLKSWAGEN	1574, 1582, 1608, 1612, 1618, 1620, 1650, 1653, 1675, 1679, 1682, 1684, 1692, 1695, 1697	0703341	52390-SE0-023	HONDA	503
0703133	1K0505323P	AUDI	33, 44, 90, 100	0703341	52390-SE0-033	HONDA	503
0703133	1K0505323P	SEAT	1310, 1345	0703341	52390-SE0-043	HONDA	503
0703133	1K0505323P	SKODA	1370, 1378, 1393	0703355	51350-692-000	HONDA	532, 536
0703133	1K0505323P	VOLKSWAGEN	1574, 1582, 1608, 1612, 1618, 1620, 1650, 1653, 1675, 1679, 1682, 1684, 1692, 1695, 1697	0703355	51350-692-010	HONDA	532, 536
0703133	5Q0505323C	AUDI	33, 44, 90, 100	0703355	51350-692-050	HONDA	532, 536
				0703497	MB-109893	MITSUBISHI	898
				0703498	MB-109343	MITSUBISHI	898
				0703614	45200-79001	SUZUKI	1426
				0703615	45200-85001	SUZUKI	1426
				0703802	4565263	OPEL	1062
				0703802	4565263	SAAB	1302
				0703802	464023	OPEL	1062
				0703802	464023	SAAB	1302
				0703802	90538444	OPEL	1062
				0703802	90538444	SAAB	1302
				0704021	004304447	SKODA	1397
				0704021	115420022	SKODA	1397
				0704096	55210-38000	HYUNDAI	569
				0704132	MR-403485	MITSUBISHI	887
				0704176	1220005	FORD	469
				0704176	1230619	FORD	469
				0704176	1S715K743CA	FORD	469
				0704176	2S715K743BA	FORD	469
				0704238	33326765425	BMW	132, 153, 198
				0704239	33326763473	BMW	132, 153
				0704239	33326777980	BMW	132, 153
				0704240	33326763471	BMW	132, 153, 198
				0704280	1K0505311AA	AUDI	33, 44, 90, 100
				0704280	1K0505311AA	SEAT	1310, 1345
				0704280	1K0505311AA	SKODA	1378, 1393
				0704280	1K0505311AA	VOLKSWAGEN	1574, 1582, 1608, 1612, 1618, 1620, 1650, 1675, 1679, 1682, 1692, 1695
				0704280	1K0505311AB	AUDI	33, 44, 90, 100
				0704280	1K0505311AB	SEAT	1310, 1345

RIF. OCAP OCAP REF.	RIF. ORIG. O.E. NUMBER	MARCA MAKE	PAG.	RIF. OCAP OCAP REF.	RIF. ORIG. O.E. NUMBER	MARCA MAKE	PAG.
0704280	1K0505311AB	SKODA	1378, 1393	0704382	517847	PEUGEOT	1136, 1141, 1143
0704280	1K0505311AB	VOLKSWAGEN	1574, 1582, 1608, 1612, 1618, 1620, 1650, 1675, 1679, 1682, 1692, 1695	0704498	1061668	FORD	445, 448, 450
0704280	1K0505311H	AUDI	33, 44, 90, 100	0704498	1061668	MAZDA	713
0704280	1K0505311H	SEAT	1310, 1345	0704498	1061668	VOLVO	1717, 1723
0704280	1K0505311H	SKODA	1378, 1393	0704498	1105524	FORD	445, 448, 450
0704280	1K0505311H	VOLKSWAGEN	1574, 1582, 1608, 1612, 1618, 1620, 1650, 1675, 1679, 1682, 1692, 1695	0704498	1105524	MAZDA	713
0704280	1K0505311J	AUDI	33, 44, 90, 100	0704498	1105524	VOLVO	1717, 1723
0704280	1K0505311J	SEAT	1310, 1345	0704498	1686587	FORD	445, 448, 450
0704280	1K0505311J	SKODA	1378, 1393	0704498	1686587	MAZDA	713
0704280	1K0505311J	VOLKSWAGEN	1574, 1582, 1608, 1612, 1618, 1620, 1650, 1675, 1679, 1682, 1692, 1695	0704498	1686587	VOLVO	1717, 1723
0704280	1K0505311S	AUDI	33, 44, 90, 100	0704498	1703145	FORD	445, 448, 450
0704280	1K0505311S	SEAT	1310, 1345	0704498	1703145	MAZDA	713
0704280	1K0505311S	SKODA	1378, 1393	0704498	1703145	VOLVO	1717, 1723
0704280	1K0505311S	VOLKSWAGEN	1574, 1582, 1608, 1612, 1618, 1620, 1650, 1675, 1679, 1682, 1692, 1695	0704498	1712237	FORD	445, 448, 450
0704284	8Z0407153L	AUDI	38	0704498	1712237	MAZDA	713
0704285	1061660	FORD	445, 447, 462	0704498	1712237	VOLVO	1717, 1723
0704285	1136073	FORD	445, 447, 462	0704498	30683067	FORD	445, 448, 450
0704285	1448127	FORD	445, 447, 462	0704498	30683067	MAZDA	713
0704285	1502440	FORD	445, 447, 462	0704498	30683067	VOLVO	1717, 1723
0704285	1752565	FORD	445, 447, 462	0704498	8646064	FORD	445, 448, 450
0704289	1335249	FORD	448	0704498	8646064	MAZDA	713
0704289	1548460	FORD	448	0704498	8646064	VOLVO	1717, 1723
0704290	1061664	FORD	448	0704498	8646064	FORD	445, 448, 450
0704290	1357319	FORD	448	0704498	BP4K-28-500C	MAZDA	713
0704290	1909108	FORD	448	0704498	BP4K-28-500C	VOLVO	1717, 1723
0704329	7L0407501529D	AUDI	96	0704498	BP4K-28-500D	FORD	445, 448, 450
0704329	7L0407501529D	PORSCHE	1172	0704498	BP4K-28-500D	MAZDA	713
0704329	7L0407501529D	VOLKSWAGEN	1687, 1689	0704498	BP4K-28-500D	VOLVO	1717, 1723
0704329	7L0501529C	AUDI	96	0704498	BP4K-28-500E	FORD	445, 448, 450
0704329	7L0501529C	PORSCHE	1172	0704498	BP4K-28-500E	MAZDA	713
0704329	7L0501529C	VOLKSWAGEN	1687, 1689	0704498	BP4K-28-500E	VOLVO	1717, 1723
0704329	7L8501529	AUDI	96	0704499	6867577	FORD	465, 467
0704329	7L8501529	PORSCHE	1172	0705160	55250-34000	HYUNDAI	567
0704329	7L8501529	VOLKSWAGEN	1687, 1689	0705160	55250-34010	HYUNDAI	567
0704329	7L850152A	AUDI	96	0705160	55250-37000	HYUNDAI	567
0704329	7L850152A	PORSCHE	1172	0705160	55250-37010	HYUNDAI	567
0704329	7L850152A	VOLKSWAGEN	1687, 1689	0705161	55201-34000	HYUNDAI	567
0704329	95533104530	AUDI	96	0705161	55201-37010	HYUNDAI	567
0704329	95533104530	PORSCHE	1172	0705161	55201-37110	HYUNDAI	567
0704329	95533104530	VOLKSWAGEN	1687, 1689	0705171	5175CF	CITROEN	273, 275
0704329	95533104531	AUDI	96	0705171	5175CF	PEUGEOT	1136, 1141, 1143
0704329	95533104531	PORSCHE	1172	0705339	4513300010	SMART	1400
0704329	95533104531	VOLKSWAGEN	1687, 1689	0705340	33303411651	BMW	144, 147, 149, 202, 217
0704329	95533104532	AUDI	96	0705340	33321092237	BMW	144, 147, 149, 202, 217
0704329	95533104532	PORSCHE	1172	0705340	33321138380	BMW	144, 147, 149, 202, 217
0704329	95533104532	VOLKSWAGEN	1687, 1689	0705340	33326760675	BMW	144, 147, 149, 202, 217
0704382	517847	CITROEN	273, 275	0705340	33326770813	BMW	144, 147, 149, 202, 217
				0705556	33326786978	BMW	204
				0705561	33321490085	MINI	858, 860, 864
				0705561	33326760054	MINI	858, 860, 864
				0705561	33326768724	MINI	858, 860, 864
				0705561	33326768726	MINI	858, 860, 864
				0705561	33326769020	MINI	858, 860, 864
				0705561	33326769023	MINI	858, 860, 864
				0705597	8E0501529G	AUDI	54
				0705597	8E0501529G	SEAT	1322
				0705597	8E0501529K	AUDI	54
				0705597	8E0501529K	SEAT	1322
				0705597	8E0501529P	AUDI	54

RIF. OCAP OCAP REF.	RIF. ORIG. O.E. NUMBER	MARCA MAKE	PAG.	RIF. OCAP OCAP REF.	RIF. ORIG. O.E. NUMBER	MARCA MAKE	PAG.
0705597	8E0501529P	SEAT	1322	0708663	1122566	JAGUAR	597
0705742	2463500053	MERCEDES	760, 778	0708663	1214290	FORD	469
0705743	2463501006	MERCEDES	760, 778	0708663	1214290	JAGUAR	597
0705748	5Q0505323D	AUDI	48	0708663	C2S24713	JAGUAR	597
0705748	5Q0505323D	SEAT	1319, 1349	0708663	C2S3257	JAGUAR	597
0705748	5Q0505323D	SKODA	1382	0708670	1609913480	CITROEN	266
0705748	5Q0505323D	VOLKSWAGEN	1615	0708670	1609913480	MITSUBISHI	867, 904
0705749	5Q0505311D	AUDI	48	0708670	1609913480	PEUGEOT	1155
0705749	5Q0505311D	SEAT	1319, 1349	0708670	1612754780	CITROEN	266
0705749	5Q0505311D	SKODA	1382	0708670	1612754780	MITSUBISHI	867, 904
0705749	5Q0505311D	VOLKSWAGEN	1615	0708670	1612754780	PEUGEOT	1155
0705749	5Q0505311F	AUDI	48	0708839	1607498780	CITROEN	266, 285
0705749	5Q0505311F	SEAT	1319, 1349	0708839	1607498780	MITSUBISHI	867, 889, 902
0705749	5Q0505311F	SKODA	1382	0708839	1607498780	PEUGEOT	1153, 1155
0705749	5Q0505311F	VOLKSWAGEN	1615	0708839	4117A005	CITROEN	266, 285
0705751	5Q0501529C	AUDI	48	0708839	4117A005	MITSUBISHI	867, 889, 902
0705751	5Q0501529C	SEAT	1320, 1349	0708839	4117A005	PEUGEOT	1153, 1155
0705751	5Q0501529C	SKODA	1370, 1382	0708839	4117A007	CITROEN	266, 285
0705751	5Q0501529C	VOLKSWAGEN	1615, 1653, 1684, 1697	0708839	4117A007	MITSUBISHI	867, 889, 902
0705751	5Q0501529D	AUDI	48	0708839	4117A007	PEUGEOT	1153, 1155
0705751	5Q0501529D	SEAT	1320, 1349	0708839	5175EG	CITROEN	266, 285
0705751	5Q0501529D	SKODA	1370, 1382	0708839	5175EG	MITSUBISHI	867, 889, 902
0705751	5Q0501529D	VOLKSWAGEN	1615, 1653, 1684, 1697	0708839	5175EG	PEUGEOT	1153, 1155
0705751	5Q0501529F	AUDI	48	0708840	1377447	FORD	454, 471
0705751	5Q0501529F	SEAT	1320, 1349	0708840	1381442	FORD	454, 471
0705751	5Q0501529F	SKODA	1370, 1382	0708840	1387627	FORD	454, 471
0705751	5Q0501529F	VOLKSWAGEN	1615, 1653, 1684, 1697	0708840	1421954	FORD	454, 471
0705770	4533506700	RENAULT	1273	0708840	1469125	FORD	454, 471
0705770	4533506700	SMART	1401, 1403	0708840	6G915K652XAE	FORD	454, 471
0705770	555C35270R	RENAULT	1273	0708843	1072453	FORD	465, 467
0705770	555C35270R	SMART	1401, 1403	0708843	6710265	FORD	465, 467
0705780	8K0501529L	AUDI	60, 75, 77, 85, 93	0708843	6829061	FORD	465, 467
0705780	8K0501529L	PORSCHE	1175	0708843	6949548	FORD	465, 467
0708085	33326792525	BMW	134, 155, 157	0708843	93BB5K652CG	FORD	465, 467
0708086	33326792533	BMW	134, 155, 157	0708888	171407153D	PORSCHE	1165, 1167
0708097	EG21-28-500B	MAZDA	733	0708888	171407153D	VOLKSWAGEN	1592
0708506	3054071551C	VOLKSWAGEN	1590	0708888	617242003	PORSCHE	1165, 1167
0708512	3Q0505311C	SEAT	1319	0709260	C2S20741	JAGUAR	597
0708512	3Q0505311C	SKODA	1372, 1395	0709260	C2S25024	JAGUAR	597
0708512	3Q0505311C	VOLKSWAGEN	1653, 1684	0709260	C2S50863	JAGUAR	597
0708512	3Q0505311D	SEAT	1319	0709422	5801564293	IVECO	591
0708512	3Q0505311D	SKODA	1372, 1395	0709423	5801564316	IVECO	591
0708512	3Q0505311D	VOLKSWAGEN	1653, 1684	0780004	5939685	FIAT	401
0708512	3Q0505311E	SEAT	1319	0780004	7705616	FIAT	401
0708512	3Q0505311E	SKODA	1372, 1395	0780072	3521A6	CITROEN	247, 307, 314
0708512	3Q0505311E	VOLKSWAGEN	1653, 1684	0780072	3521A6	PEUGEOT	1080
0708531	33326861114	BMW	175	0780072	3521A8	CITROEN	247, 307, 314
0708536	33326851563	BMW	136, 200	0780072	3521A8	PEUGEOT	1080
0708536	33326851563	MINI	862	0780072	3521A8	PEUGEOT	1080
0708536	33326870773	BMW	136, 200	0780072	3521C4	CITROEN	247, 307, 314
0708536	33326870773	MINI	862	0780072	3521C4	PEUGEOT	1080
0708537	33326851569	BMW	136, 200	0780072	3521C4	CITROEN	247, 307, 314
0708537	33326851569	MINI	862	0780072	3521C4	PEUGEOT	1080
0708661	1719027	FORD	450	0780072	3521C6	CITROEN	247, 307, 314
0708661	1743421	FORD	450	0780072	3521C6	PEUGEOT	1080
0708661	1785675	FORD	450	0780072	95658884	CITROEN	247, 307, 314
0708661	1882884	FORD	450	0780072	95658884	PEUGEOT	1080
0708661	1931562	FORD	450	0780073	3521A5	CITROEN	248, 308, 314
0708663	1117858	FORD	469	0780073	3521A5	PEUGEOT	1081
0708663	1117858	JAGUAR	597	0780073	3521A7	CITROEN	248, 308, 314
0708663	1122566	FORD	469	0780073	3521A7	PEUGEOT	1081
				0780073	3521A7	CITROEN	248, 308, 314
				0780073	3521C3	PEUGEOT	1081
				0780073	3521C3	CITROEN	248, 308, 314
				0780073	3521C3	PEUGEOT	1081
				0780073	3521C5	CITROEN	248, 308, 314
				0780073	3521C5	PEUGEOT	1081
				0780073	95658883	CITROEN	248, 308, 314
				0780073	95658883	PEUGEOT	1081
				0780098	895407148A	AUDI	115

RIF. OCAP OCAP REF.	RIF. ORIG. O.E. NUMBER	MARCA MAKE	PAG.	RIF. OCAP OCAP REF.	RIF. ORIG. O.E. NUMBER	MARCA MAKE	PAG.
0780103	0352076	OPEL	1016	0780476	46454596	FIAT	371
0780103	0352076	VAUXHALL	1542	0780477	46454598	FIAT	372, 374
0780103	352076	OPEL	1016	0780477	46539279	FIAT	372, 374
0780103	352076	VAUXHALL	1542	0780482	30863989	MINISUBISHI	869, 916
0780103	352144	OPEL	1016	0780482	30863989	VOLVO	1718
0780103	352144	VAUXHALL	1542	0780482	30864209	MINISUBISHI	869, 916
0780103	352192	OPEL	1016	0780482	30864209	VOLVO	1718
0780103	352192	VAUXHALL	1542	0780482	30887033	MINISUBISHI	869, 916
0780103	5352000	OPEL	1016	0780482	30887033	VOLVO	1718
0780103	5352000	VAUXHALL	1542	0780482	30887470	MINISUBISHI	869, 916
0780103	90473225	OPEL	1016	0780482	30887470	VOLVO	1718
0780103	90473225	VAUXHALL	1542	0780482	30889963	MINISUBISHI	869, 916
0780113	352136	OPEL	1054	0780482	30889963	VOLVO	1718
0780113	352136	VAUXHALL	1549	0780482	MR-179480	MINISUBISHI	869, 916
0780113	90288388	OPEL	1054	0780482	MR-179480	VOLVO	1718
0780113	90288388	VAUXHALL	1549	0780482	MR-915770	MINISUBISHI	869, 916
0780143	352156	PEUGEOT	1115-1116	0780482	MR-915770	VOLVO	1718
0780143	352169	PEUGEOT	1115-1116	0780585	4104852	FIAT	409
0780143	3521A3	PEUGEOT	1115-1116	0780586	4159398	FIAT	409
0780144	352155	PEUGEOT	1114, 1116	0780586	4302450	FIAT	409
0780144	352168	PEUGEOT	1114, 1116	0780587	4278320	FIAT	411
0780144	352199	PEUGEOT	1114, 1116	0780587	92401524	FIAT	411
0780144	3521A1	PEUGEOT	1114, 1116	0780588	4355946	FIAT	411
0780204	1H0407152	SEAT	1356	0780661	1243303907	MERCEDES	761
0780204	1H0407152	VOLKSWAGEN	1600	0780661	2013303907	MERCEDES	761
0780227	1243301907	MERCEDES	762	0780662	2101-2904011	LADA	649
0780228	2013304107	MERCEDES	763	0780662	21012904011	LADA	649
0780231	007304448	SKODA	1367	0780666	6100991	FORD	427
0780231	6U0407152B	SKODA	1367	0780668	82370204	LANCIA	655
0780238	1683300907	MERCEDES	755	0780668	82391821	LANCIA	655
0780238	1683301207	MERCEDES	755	0780670	1153303707	MERCEDES	750, 827
0780238	1683301807	MERCEDES	755	0780670	1153303907	MERCEDES	750, 827
0780238	1683302407	MERCEDES	755	0780680	7700525703	RENAULT	1223, 1225
0780340	0KX43-34-300	KIA	614, 623	0780682	7700542359	RENAULT	1223, 1225
0780340	0S083-34-300B	KIA	614, 623	0780682	7700703949	RENAULT	1223, 1225
0780340	0S617-34-300	KIA	614, 623	0780683	7700703951	RENAULT	1223, 1225
0780340	0S617-34-300A	KIA	614, 623	0780687	7700652001	RENAULT	1228
0780340	KX43-34-300	KIA	614, 623	0780687	7700691631	RENAULT	1228
0780365	352002	OPEL	1028	0780687	7700704115	RENAULT	1228
0780365	352002	VAUXHALL	1554	0780688	7700783453	RENAULT	1261
0780365	352182	OPEL	1028	0780688	7700783456	RENAULT	1261
0780365	352182	VAUXHALL	1554	0780690	6001021455	RENAULT	1261
0780365	90445119	OPEL	1028	0780690	7700783464	RENAULT	1261
0780365	90445119	VAUXHALL	1554	0780691	7700783450	RENAULT	1230, 1250
0780365	90511261	OPEL	1028	0780691	7700783452	RENAULT	1230, 1250
0780365	90511261	VAUXHALL	1554	0780691	7700834450	RENAULT	1230, 1250
0780366	352002 **	OPEL	1028	0780732	7700649106	RENAULT	1239
0780366	352002 **	VAUXHALL	1554	0780733	7700772692	RENAULT	1251
0780370	7700820029	RENAULT	1271	0780733	7701161725	RENAULT	1251
0780393	1023026	FORD	464, 466	0780733	7701161727	RENAULT	1251
0780393	1030277	FORD	464, 466	0780733	7701641727	RENAULT	1251
0780393	1043159	FORD	464, 466	0780736	6193085	FORD	433
0780393	1102948	FORD	464, 466	0780736	6645154	FORD	433
0780393	1141293	FORD	464, 466	0780854	7152269	FORD	435
0780393	6954470	FORD	464, 466	0780915	54500-44B00	NISSAN	947
0780413	7700794387	RENAULT	1183	0780915	54500-4F102	NISSAN	947
0780414	7700794834	RENAULT	1183	0780915	54500-4F105	NISSAN	947
0780415	7700436303	RENAULT	1215, 1241	0780915	54500-4F150	NISSAN	947
0780415	7700781035	RENAULT	1215, 1241	0780940	1054988	FORD	433
0780415	7700818052	RENAULT	1215, 1241	0780940	1111411	FORD	433
0780415	7700831369	RENAULT	1215, 1241	0780940	7152278	FORD	433
0780416	7700818054	RENAULT	1215, 1243	0780943	1032099	FORD	457
0780416	7700829842	RENAULT	1215, 1243	0780943	1046444	FORD	457
0780420	8-94323-562-1	ISUZU	581	0780943	1063985	FORD	457
0780437	54502-2S485	NISSAN	967	0780943	7152270	FORD	435

RIF. OCAP OCAP REF.	RIF. ORIG. O.E. NUMBER	MARCA MAKE	PAG.	RIF. OCAP OCAP REF.	RIF. ORIG. O.E. NUMBER	MARCA MAKE	PAG.
0780949	6645155	FORD	434	0781428	90576789	OPEL	1056
0780949	7152276	FORD	434	0781428	90576789	VAUXHALL	1564
0780964	6705519	FORD	434	0781447	46777741	FIAT	354, 372, 374, 394
0780964	7152277	FORD	434	0781447	46813841	FIAT	354, 372, 374, 394
0781006	1H0407152 *	SEAT	1356	0781447	51712407	FIAT	354, 372, 374, 394
0781006	1H0407152 *	VOLKSWAGEN	1600	0781450	46546776	FIAT	372
0781049	5352012	OPEL	1030	0781459	3521A1 *	PEUGEOT	1117
0781049	5352012	VAUXHALL	1556	0781460	3521A3 *	PEUGEOT	1117
0781050	5352012 *	OPEL	1030	0781505	2D0407022	VOLKSWAGEN	1624
0781050	5352012 *	VAUXHALL	1556	0781505	2D0407022B	VOLKSWAGEN	1624
0781056	1073214	FORD	444	0781505	9013301707	MERCEDES	840
0781056	1090730	FORD	444	0781505	9013301907	MERCEDES	840
0781242	352044	OPEL	1026	0781505	9013302507	MERCEDES	840
0781242	352044	VAUXHALL	1562	0781510	3521H6	CITROEN	257
0781243	352124 **	CHEVROLET - DAEWOO 223		0781510	3521J1	CITROEN	257
0781243	352124 **	OPEL	1043	0781510	3521L1	CITROEN	257
0781243	90375506 *	VAUXHALL	1541	0781510	3521N1	CITROEN	257
0781244	352044 **	OPEL	1026	0781510	3521N3	CITROEN	257
0781244	352044 **	VAUXHALL	1562	0781510	3521N6	CITROEN	257
0781245	352124	CHEVROLET - DAEWOO 223		0781516	48068-59035	TOYOTA	1536
0781245	352124	OPEL	1043	0781715	1058279	FORD	431
0781245	352124	VAUXHALL	1541	0781715	6525843	FORD	431
0781245	352127	CHEVROLET - DAEWOO 223		0781715	6770224	FORD	431
0781245	352127	OPEL	1043	0781715	7102644	FORD	431
0781245	352127	VAUXHALL	1541	0781715	7351747	FORD	431
0781245	352172	CHEVROLET - DAEWOO 223		0781733	1243303107	MERCEDES	762, 783, 828
0781245	352172	OPEL	1043	0781747	5352004	OPEL	1018, 1062
0781245	352172	VAUXHALL	1541	0781747	5352004	VAUXHALL	1543, 1566
0781245	90375506	CHEVROLET - DAEWOO 223		0781747	5352017	OPEL	1018, 1062
0781245	90375506	OPEL	1043	0781747	5352017	VAUXHALL	1543, 1566
0781245	90375506	VAUXHALL	1541	0781751	MR-297242	MITSUBISHI	871, 916
0781245	96185970	CHEVROLET - DAEWOO 223		0781751	MR-911569	MITSUBISHI	871, 916
0781245	96185970	OPEL	1043	0781751	MR-916134	MITSUBISHI	871, 916
0781245	96185970	VAUXHALL	1541	0781763	MB-912506	MITSUBISHI	882-883
0781245	96185972	CHEVROLET - DAEWOO 223		0781763	MR-162804	MITSUBISHI	882-883
0781245	96185972	OPEL	1043	0781766	MR-414940	MITSUBISHI	912
0781245	96185972	VAUXHALL	1541	0781773	1116578	FORD	468
0781245	96218398	CHEVROLET - DAEWOO 223		0781773	1116578	JAGUAR	596
0781245	96218398	OPEL	1043	0781773	1131386	FORD	468
0781245	96218398	VAUXHALL	1541	0781773	1131386	JAGUAR	596
0781245	96218400	CHEVROLET - DAEWOO 223		0781773	1139926	FORD	468
0781245	96218400	OPEL	1043	0781773	1139926	JAGUAR	596
0781245	96218400	VAUXHALL	1541	0781773	1149802	FORD	468
0781245	96445372	CHEVROLET - DAEWOO 223		0781773	1149802	JAGUAR	596
0781245	96445372	OPEL	1043	0781773	1203923	FORD	468
0781245	96445372	VAUXHALL	1541	0781773	1203923	JAGUAR	596
0781245	96445374	CHEVROLET - DAEWOO 223		0781773	1203923	JAGUAR	596
0781245	96445374	OPEL	1043	0781773	1311416	FORD	468
0781245	96445374	VAUXHALL	1541	0781773	1311416	JAGUAR	596
0781319	46402877	LANCIA	662	0781773	1909996	FORD	468
0781319	46414735	LANCIA	662	0781773	1909996	JAGUAR	596
0781365	7700425725	RENAULT	1216, 1254	0781773	C2S39661	JAGUAR	596
0781365	7700430766	RENAULT	1216, 1254	0781818	54524-2F000	NISSAN	973, 976
0781365	7700430832	RENAULT	1216, 1254	0781818	54524-2F010	NISSAN	973, 976
0781365	8200737133	RENAULT	1254	0781818	54524-2J001	NISSAN	973, 976
0781428	352028	OPEL	1056	0781818	54524-50J00	NISSAN	973, 976
0781428	352028	VAUXHALL	1564	0781818	54524-86J01	NISSAN	973, 976
0781428	352196	OPEL	1056	0781818	54524-86J10	NISSAN	973, 976
0781428	352196	VAUXHALL	1564	0781818	54524-86J10	NISSAN	973, 976
0781428	5352008	OPEL	1056	0781820	RBJ102440	LAND ROVER	684
0781428	5352008	VAUXHALL	1564	0781820	RBJ102920	LAND ROVER	684
0781428	90445670	OPEL	1056	0781826	1243303507	MERCEDES	783, 829
0781428	90445670	VAUXHALL	1564	0781827	3521E3	CITROEN	250, 252, 310, 312
0781428	90497308	OPEL	1056				
0781428	90497308	VAUXHALL	1564				

RIF. OCAP OCAP REF.	RIF. ORIG. O.E. NUMBER	MARCA MAKE	PAG.	RIF. OCAP OCAP REF.	RIF. ORIG. O.E. NUMBER	MARCA MAKE	PAG.
0781827	3521E3	PEUGEOT	1082, 1084, 1117	0781949	45201-60B00	SUBARU	1415
0781827	3521E5	CITROEN	250, 252, 310, 312	0781949	45201-60B01	SUBARU	1415
0781827	3521E5	PEUGEOT	1082, 1084, 1117	0781949	45201-60B01	SUZUKI	1435
0781827	3521E6	CITROEN	250, 252, 310, 312	0781949	45201-60E01	SUBARU	1415
0781827	3521E8	CITROEN	250, 252, 310, 312	0781949	45201-60E01	SUZUKI	1435
0781837	1020214	FORD	437-438	0781949	45201-70C00	SUBARU	1415
0781837	1020214	MAZDA	709	0781949	45201-70C00	SUZUKI	1435
0781837	1046039	FORD	437-438	0781958	MB-809223	MITSUBISHI	870, 872, 876, 917
0781837	1046039	MAZDA	709	0781959	MR-241342	MITSUBISHI	876
0781837	1058325	FORD	437-438	0781965	MR-171308	MITSUBISHI	870, 872, 917
0781837	1058325	MAZDA	709	0781987	54500-21B00	NISSAN	947
0781837	1063226	FORD	437-438	0781998	MR-130480	MITSUBISHI	872, 917
0781837	1063226	MAZDA	709	0782055	857407148A	AUDI	109, 111, 113
0781837	1071683	FORD	437-438	0782055	857407148A	VOLKSWAGEN	1634-1635
0781837	1071683	MAZDA	709	0782055	893407148C	AUDI	109, 111, 113
0781837	1E00-34-300A	FORD	437-438	0782055	893407148C	VOLKSWAGEN	1634-1635
0781837	1E00-34-300A	MAZDA	709	0782055	893407148E	AUDI	111
0781837	1E00-34-300B	FORD	437-438	0782089	2103303507	MERCEDES	786
0781837	1E00-34-300B	MAZDA	709	0782089	2103304507	MERCEDES	786
0781837	1E00-34-300D	FORD	437-438	0782089	2103306207	MERCEDES	786
0781837	1E00-34-300D	MAZDA	709	0782089	2103307707	MERCEDES	786
0781837	1E00-34-300E	FORD	437-438	0782089	2103309107	MERCEDES	786
0781837	1E00-34-300E	MAZDA	709	0782116	5N0407152 *	VOLKSWAGEN	1581, 1649
0781837	1E00-34-300F	FORD	437-438	0782117	5N0407152	VOLKSWAGEN	1581, 1649, 1681
0781837	1E00-34-300F	MAZDA	709	0782131	1614191680	CITROEN	256
0781838	1046038	FORD	437, 439	0782131	1614191680	PEUGEOT	1093
0781838	1058326	FORD	437, 439	0782131	1614191680	TOYOTA	1463
0781838	1063223	FORD	437, 439	0782131	48068-0H020	CITROEN	256
0781838	1071690	FORD	437, 439	0782131	48068-0H020	PEUGEOT	1093
0781839	1020219	FORD	436, 439, 473	0782131	48068-0H020	TOYOTA	1463
0781839	1020219	MAZDA	709	0782131	B000770180	CITROEN	256
0781839	1021219	FORD	436, 439, 473	0782131	B000770180	PEUGEOT	1093
0781839	1021219	MAZDA	709	0782131	B000770180	TOYOTA	1463
0781839	1071694	FORD	436, 439, 473	0782131	B000770180	TOYOTA	1463
0781839	1071694	MAZDA	709	0782132	545048101R	RENAULT	1193
0781839	1330238	FORD	439, 473	0782132	8200266041	RENAULT	1193
0781839	1330238	MAZDA	709	0782132	8200423382	RENAULT	1193
0781839	1E01-34-300E	FORD	439, 473	0782132	8200458814	RENAULT	1193
0781839	1E01-34-300E	MAZDA	709	0782132	8200484811	RENAULT	1193
0781866	31124015708	MINI	857	0782132	8200602617	RENAULT	1193
0781866	31126753990	MINI	857	0782132	8200602620	RENAULT	1193
0781866	31126761410	MINI	857	0782158	1703300207	MERCEDES	765, 834
0781876	33321095412	BMW	207	0782158	2023302707	MERCEDES	765, 834
0781876	33326770748	BMW	207	0782158	2023304207	MERCEDES	765, 834
0781876	33326770860	BMW	207	0782172	2023302007	MERCEDES	766, 779, 786, 834
0781880	1130576	FORD	422	0782172	2023303107	MERCEDES	766, 779, 786, 834
0781885	24428978	OPEL	1032	0782172	2023303707	MERCEDES	766, 779, 786, 834
0781885	24428978	VAUXHALL	1557	0782172	2023304907	MERCEDES	766, 779, 786, 834
0781885	24449455	OPEL	1032	0782172	2083301407	MERCEDES	766, 779, 786, 834
0781885	24449455	VAUXHALL	1557	0782172	2103302307	MERCEDES	766, 779, 786, 834
0781885	352042	OPEL	1032	0782172	2103302607	MERCEDES	766, 779, 786, 834
0781885	352042	VAUXHALL	1557	0782172	2103305107	MERCEDES	766, 779, 786, 834
0781885	352046	OPEL	1032	0782172	2103308807	MERCEDES	766, 779, 786, 834
0781885	352046	VAUXHALL	1557	0782181	1403306507	MERCEDES	819
0781885	352063	OPEL	1032	0782181	1403307107	MERCEDES	819
0781885	352063	VAUXHALL	1557	0782268	50705465	FIAT	343, 393
0781906	6383300110	MERCEDES	845				
0781949	45200-60810	SUBARU	1415				
0781949	45200-60812	SUBARU	1415				
0781949	45201-50G10	SUZUKI	1435				

RIF. OCAP OCAP REF.	RIF. ORIG. O.E. NUMBER	MARCA MAKE	PAG.	RIF. OCAP OCAP REF.	RIF. ORIG. O.E. NUMBER	MARCA MAKE	PAG.
0782268	50705465	LANCIA	660	0782453	545000138R	DACIA	317
0782268	51827737	FIAT	343, 393	0782453	545001535R	DACIA	317
0782268	51827737	LANCIA	660	0782453	545006542R	DACIA	317
0782282	6R0407152B	AUDI	31	0782453	545501225R	DACIA	317
0782282	6R0407152B	SEAT	1335	0782460	43068-87401	DAIHATSU	336
0782282	6R0407152C	AUDI	31	0782460	48068-87405	DAIHATSU	336
0782282	6R0407152C	SEAT	1335	0782474	54520-3E000	KIA	637
0782283	6R0407152B *	AUDI	32	0782474	54520-3E001	KIA	637
0782283	6R0407152B *	SEAT	1336	0782474	54520-3E002	KIA	637
0782283	6R0407152C *	AUDI	32	0782474	54520-3E003	KIA	637
0782283	6R0407152C *	SEAT	1336	0782476	51350-S9A-010	HONDA	521
0782311	4543300807	mitsubishi	877	0782484	54420-38000	HYUNDAI	568, 570
0782311	4543300807	SMART	1402	0782484	54420-38000	KIA	624
0782311	MN-186218	mitsubishi	877	0782489	54502-3A100	HYUNDAI	574
0782311	MN-186218	SMART	1402	0782489	54502-3A201	HYUNDAI	574
0782354	3521L3	CITROEN	255	0782492	1466186	FORD	453, 470
0782354	3521L3	PEUGEOT	1092	0782492	1507181	FORD	453, 470
0782354	3521L3	TOYOTA	1462	0782492	31200775	VOLVO	1726
0782354	48068-0H010	CITROEN	255	0782492	31212781	VOLVO	1726
0782354	48068-0H010	PEUGEOT	1092	0782492	31277344	VOLVO	1726
0782354	48068-0H010	TOYOTA	1462	0782492	31317662	VOLVO	1726
0782355	3521K1	PEUGEOT	1086	0782498	54501-1F010	HYUNDAI	575
0782355	3521N7	PEUGEOT	1086	0782498	54501-1F010	KIA	642
0782357	3521S6	ALFA ROMEO	28	0782498	54501-1F100	HYUNDAI	575
0782357	3521S6	CITROEN	295	0782498	54501-1F100	KIA	642
0782357	3521S6	FIAT	365, 368, 383	0782498	54501-1F110	HYUNDAI	575
0782357	3521S6	PEUGEOT	1071	0782498	54501-1F110	KIA	642
0782357	3521V5	ALFA ROMEO	28	0782498	54501-2E000	HYUNDAI	575
0782357	3521V5	CITROEN	295	0782498	54501-2E000	KIA	642
0782357	3521V5	FIAT	365, 368, 383	0782498	54501-2E001	HYUNDAI	575
0782357	3521V5	PEUGEOT	1071	0782498	54501-2E001	KIA	642
0782357	50511650	ALFA ROMEO	28	0782498	54501-2E010	HYUNDAI	575
0782357	50511650	CITROEN	295	0782498	54501-2E010	KIA	642
0782357	50511650	FIAT	365, 368, 383	0782531	GSJ416	ROVER GROUP	1285
0782357	50511650	PEUGEOT	1071	0782532	GSJ418	ROVER GROUP	1285
0782357	50521486	ALFA ROMEO	28	0782549	0K2FA-34-300	KIA	615
0782357	50521486	CITROEN	295	0782556	LR014136	LAND ROVER	680
0782357	50521486	FIAT	365, 368, 383	0782556	LR025610	LAND ROVER	680
0782357	50521486	PEUGEOT	1071	0782556	LR028245	LAND ROVER	680
0782357	51783056	ALFA ROMEO	28	0782556	RBJ500183	LAND ROVER	680
0782357	51783056	CITROEN	295	0782556	RBJ501240	LAND ROVER	680
0782357	51783056	FIAT	365, 368, 383	0782556	RBJ501340	LAND ROVER	680
0782357	51783056	PEUGEOT	1071	0782556	RBJ501540	LAND ROVER	680
0782357	51895366	ALFA ROMEO	28	0782557	RBJ500222	LAND ROVER	681
0782357	51895366	CITROEN	295	0782576	54500-0W000	NISSAN	957
0782357	51895366	FIAT	365, 368, 383	0782576	54500-0W001	NISSAN	957
0782357	51895366	PEUGEOT	1071	0782587	5352038	OPEL	1008, 1033
0782357	55703627	ALFA ROMEO	28	0782587	55703231	OPEL	1008, 1033
0782357	55703627	CITROEN	295	0782590	48068-05070	TOYOTA	1459
0782357	55703627	FIAT	365, 368, 383	0782617	31124048628	MINI	859
0782357	55703627	PEUGEOT	1071	0782617	31126772302	MINI	859
0782378	2303302607	MERCEDES	831	0782622	48068-35080	TOYOTA	1456, 1511
0782383	2103304107	MERCEDES	789	0782622	48068-35081	TOYOTA	1456, 1511
0782393	9675028880	CITROEN	286	0782624	48610-32040	TOYOTA	1456, 1511
0782393	9675028880	PEUGEOT	1105	0782632	45201-79J00	FIAT	390
0782432	3521N0	CITROEN	259, 261	0782632	45201-79J00	SUZUKI	1438
0782432	3521N10	PEUGEOT	1100, 1103	0782632	71742731	FIAT	390
0782432	3521N8	CITROEN	259, 261	0782632	71742731	SUZUKI	1438
0782432	3521N8	PEUGEOT	1100, 1103	0782640	B25D-34-300A	MAZDA	720
0782452	545004269R	DACIA	318	0782640	B25D-34-300B	MAZDA	720
0782452	6001547519	DACIA	318	0782640	B25D-34-300C	MAZDA	720
0782452	6001550910	DACIA	318	0782640	B25D-34-300D	MAZDA	720
0782452	6001550911	DACIA	318	0782655	54501-29000	HYUNDAI	560
0782452	8200216377	DACIA	318	0782655	54501-29500	HYUNDAI	560
0782452	8200820918	DACIA	318	0782658	54501-24000	HYUNDAI	563

RIF. OCAP OCAP REF.	RIF. ORIG. O.E. NUMBER	MARCA MAKE	PAG.	RIF. OCAP OCAP REF.	RIF. ORIG. O.E. NUMBER	MARCA MAKE	PAG.
0782659	45201-57K00	SUZUKI	1436	0782894	96213118	CHEVROLET - DAEWOO	226
0782659	45201-62J00	SUZUKI	1436	0782919	33321090906	BMW	189
0782659	45201-63J00	SUZUKI	1436	0782972	48610-29085	TOYOTA	1498
0782659	45201-72K00	SUZUKI	1436	0782994	48068-59055	TOYOTA	1536
0782665	54500-1FU0B	NISSAN	938, 953, 995	0783012	8-94243-232-0	ISUZU	584
0782665	54500-1JY0A	NISSAN	938, 953, 995	0783013	8-94223-221-2	ISUZU	584
0782665	54500-EL000	NISSAN	938, 953, 995	0783088	4010A038	MITSUBISHI	908, 910
0782665	54500-EW000	NISSAN	938, 953, 995	0783088	MR-496794	MITSUBISHI	908, 910
0782674	1643501606	MERCEDES	808, 813	0783089	48068-20380	TOYOTA	1473
0782688	45201-M68K00	SUZUKI	1424	0783089	48068-20381	TOYOTA	1473
0782688	54530-4A00D	NISSAN	969	0783094	48068-02130	TOYOTA	1457, 1460, 1484, 1535
0782727	8200763290	RENAULT	1272	0783094	48068-05080	TOYOTA	1457, 1460, 1484
0782727	8200763296	RENAULT	1272	0783095	48068-42050	TOYOTA	1526
0782727	8200942396	RENAULT	1272	0783095	48068-42051	TOYOTA	1526
0782730	LR002624	LAND ROVER	685	0783098	48068-44010	TOYOTA	1520
0782730	LR007205	LAND ROVER	685	0783101	48068-26070	TOYOTA	1499
0782742	2E0407152M	VOLKSWAGEN	1583	0783101	48068-26071	TOYOTA	1499
0782742	9063304107	MERCEDES	842	0783104	48068-29265	TOYOTA	1461
0782750	6178028	FORD	489, 491-492	0783104	48068-49045	TOYOTA	1461
0782751	6608830	FORD	493	0783104	48068-49065	TOYOTA	1461
0782760	45201-77A01	SUZUKI	1427	0783113	48068-02070	TOYOTA	1483
0782760	45201-77A10	SUZUKI	1427	0783113	48068-12260	TOYOTA	1483
0782766	51450-S30-003	HONDA	535	0783121	LC62-34-300C	MAZDA	736
0782768	54501-17000	HYUNDAI	561	0783124	54500-BB00A	NISSAN	981, 1006
0782773	54501-1E100	HYUNDAI	541	0783124	54500-BB00A	RENAULT	1202
0782773	54501-1E100	KIA	633	0783124	54500-BR30A	NISSAN	981, 1006
0782774	54501-1E000	HYUNDAI	541	0783124	54500-BR30A	RENAULT	1202
0782774	54501-1E000	KIA	633	0783124	54500-JD000	NISSAN	981, 1006
0782776	48068-33010	TOYOTA	1466	0783124	54500-JD000	RENAULT	1202
0782776	48068-33020	TOYOTA	1466	0783124	54500-JG000	NISSAN	981, 1006
0782777	48068-33030	TOYOTA	1466	0783124	54500-JG000	RENAULT	1202
0782781	48068-B1020	DAIHATSU	335	0783124	54500-JY00A	NISSAN	981, 1006
0782781	48068-B1020	SUBARU	1417	0783124	54500-JY00A	RENAULT	1202
0782788	51350-S50-G01	HONDA	531	0783135	1420795	FORD	447
0782789	51350-S2H-G02	HONDA	524	0783135	1420795	VOLVO	1717, 1722
0782790	54501-2F000	KIA	621	0783135	1488110	FORD	447
0782790	54501-2F001	KIA	621	0783135	1488110	VOLVO	1717, 1722
0782792	54501-07100	KIA	627	0783135	1570284	FORD	447
0782792	54501-07150	KIA	627	0783135	1570284	VOLVO	1717, 1722
0782792	54501-07160	KIA	627	0783135	31201180	VOLVO	1717, 1722
0782792	54501-07161	KIA	627	0783135	31262037	VOLVO	1717, 1722
0782792	54501-07200	KIA	627	0783135	31277462	VOLVO	1717, 1722
0782792	54501-07250	KIA	627	0783139	4708299	OPEL	1010
0782792	54501-07260	KIA	627	0783139	4708299	VAUXHALL	1539
0782792	54501-07261	KIA	627	0783139	93193130	OPEL	1010
0782793	54501-07100	KIA	627	0783142	45201-65J00	SUZUKI	1429
0782793	54501-07150	KIA	627	0783142	45201-78K00	SUZUKI	1429
0782798	GD7A-34-300A	MAZDA	727, 747	0783145	8200197189	RENAULT	1187, 1200, 1263
0782798	GE4T-31-300	MAZDA	727, 747	0783145	8200942408	RENAULT	1187, 1200, 1263
0782798	GE4T-31-300C	MAZDA	727, 747	0783209	54500-00QAH	NISSAN	941, 970
0782798	GE4T-31-300E	MAZDA	727, 747	0783209	54500-00QAH	RENAULT	1186, 1200, 1263
0782798	GE4T-34-300C	MAZDA	727, 747	0783209	7700313945	NISSAN	941, 970
0782800	N068-34-200	MAZDA	739	0783209	7700313945	RENAULT	1186, 1200, 1263
0782801	N066-34-310	MAZDA	739	0783209	7700420033	NISSAN	941, 970
0782807	51350-S7A-010	HONDA	537	0783209	7700420033	RENAULT	1186, 1200, 1263
0782807	51350-S7C-010	HONDA	537	0783209	7700425228	NISSAN	941, 970
0782809	54501-4A000	HYUNDAI	547	0783209	7700425228	RENAULT	1186, 1200, 1263
0782809	54501-4A600	HYUNDAI	547	0783209	8200197187	NISSAN	941, 970
0782810	54401-4A000	HYUNDAI	547				
0782823	54500-4U002	NISSAN	926				
0782823	54500-4U012	NISSAN	926				
0782846	54501-2D000	HYUNDAI	544				
0782846	54501-2D002	HYUNDAI	544				
0782847	0K2NA-34-300B	KIA	636				
0782883	1J0407151B *	SEAT	1341				

RIF. OCAP OCAP REF.	RIF. ORIG. O.E. NUMBER	MARCA MAKE	PAG.	RIF. OCAP OCAP REF.	RIF. ORIG. O.E. NUMBER	MARCA MAKE	PAG.
0783209	8200197187	RENAULT	1186, 1200, 1263	0783295	51350-TG0-T02	HONDA	527
0783214	4153300200	MERCEDES	839	0783295	51350-TG5-C01	HONDA	527
0783214	4153300200	RENAULT	1201	0783295	51350-TH9-000	HONDA	527
0783214	8200586567	MERCEDES	839	0783297	54431-44000	HYUNDAI	545
0783214	8200586567	RENAULT	1201	0783297	5443144000	HYUNDAI	545
0783217	545000399R	RENAULT	1195, 1219, 1257	0783297	MB109631A	HYUNDAI	545
0783217	545008682R	RENAULT	1195, 1219, 1257	0783298	HB212004	HYUNDAI	545
0783217	545009207R	RENAULT	1195, 1219, 1257	0783299	48068-09015	TOYOTA	1534, 1537
0783240	1K0407152AA	SKODA	1391	0783299	48068-09030	TOYOTA	1534, 1537
0783240	1K0407152AA	VOLKSWAGEN	1610, 1673, 1694	0783299	48068-09040	TOYOTA	1534, 1537
0783240	1K0407152AB	SKODA	1391	0783299	48068-09150	TOYOTA	1534, 1537
0783240	1K0407152AB	VOLKSWAGEN	1610, 1673, 1694	0783299	48068-59145	TOYOTA	1534, 1537
0783240	1K0407152AH	SKODA	1391	0783324	48068-87704	DAIHATSU	321
0783240	1K0407152AH	VOLKSWAGEN	1610, 1673, 1694	0783326	48068-87205	DAIHATSU	326
0783240	1K0407152BC	SKODA	1391	0783327	48068-87507	DAIHATSU	332
0783240	1K0407152BC	VOLKSWAGEN	1610, 1673, 1694	0783329	51350-634-000	HONDA	510
0783241	1K0407152AH *	SKODA	1391	0783331	52350-659-315	HONDA	510
0783241	1K0407152AH *	VOLKSWAGEN	1610, 1673, 1694	0783333	51351-SB2-013	HONDA	511, 525, 536
0783241	1K0407152BC *	SKODA	1391	0783333	51351-SB2-013	ROVER GROUP	1287
0783241	1K0407152BC *	VOLKSWAGEN	1610, 1673, 1694	0783333	51351-SB2-672	HONDA	511, 525, 536
0783251	1751952	FORD	442, 487	0783333	51351-SB2-672	ROVER GROUP	1287
0783251	1834054	FORD	442, 487	0783333	51351-SB6-931	HONDA	511, 525, 536
0783252	1518904	FORD	441	0783333	51351-SB6-931	ROVER GROUP	1287
0783252	1518904	MAZDA	711	0783333	51351-SD2-003	HONDA	511, 525, 536
0783252	1520778	FORD	441	0783333	51351-SD2-003	ROVER GROUP	1287
0783252	1520778	MAZDA	711	0783333	GSJ227	HONDA	511, 525, 536
0783252	1532421	FORD	441	0783333	GSJ227	ROVER GROUP	1287
0783252	1532421	MAZDA	711	0783334	51450-SH3-000	HONDA	512
0783252	1540724	FORD	441	0783334	51450-SH3-020	HONDA	512
0783252	1540724	MAZDA	711	0783334	51450-SH3-023	HONDA	512
0783252	1712696	FORD	441	0783334	51450-SH3-030	HONDA	512
0783252	1712696	MAZDA	711	0783335	51355-SH3-010	HONDA	512
0783252	1737309	FORD	441	0783335	51355-SH3-020	HONDA	512
0783252	1737309	MAZDA	711	0783336	51350-634-003	HONDA	502
0783252	D651-34-300	FORD	441	0783336	51350-671-003	HONDA	502
0783252	D651-34-300	MAZDA	711	0783336	51350-671-033	HONDA	502
0783252	D651-34-300C	FORD	441	0783337	51350-SA5-003	HONDA	502
0783252	D651-34-300C	MAZDA	711	0783337	51350-SA5-013	HONDA	502
0783252	D651-34-300D	FORD	441	0783338	51350-SA5-010	HONDA	502
0783252	D651-34-300D	MAZDA	711	0783338	51350-SA5-020	HONDA	502
0783272	6R0407152	SEAT	1333	0783339	51459-SE0-000	HONDA	503
0783272	6R0407152	SKODA	1362, 1364, 1386	0783339	51459-SE0-003	HONDA	503
0783272	6R0407152	VOLKSWAGEN	1667	0783340	51355-SE0-010	HONDA	503
0783272	6R0407152E	SEAT	1333	0783342	51450-SM4-013	HONDA	504
0783272	6R0407152E	SKODA	1362, 1364, 1386	0783342	51450-SM4-013	ROVER GROUP	1292
0783272	6R0407152E	VOLKSWAGEN	1667	0783342	51450-SM4-023	HONDA	504
0783281	51510-TA0-A03	HONDA	509	0783342	51450-SM4-023	ROVER GROUP	1292
0783281	51510TA0A03	HONDA	509	0783342	51450-SM4-A02	HONDA	504
0783285	52390-SH3-030	HONDA	515	0783342	51450-SM4-A02	ROVER GROUP	1292
0783285	52390SH3030	HONDA	515	0783342	51450-SM4-A03	HONDA	504
0783285	52390-SR3-000	HONDA	515	0783342	51450-SM4-A03	ROVER GROUP	1292
0783285	52390SR3000	HONDA	515	0783342	GSJ424	HONDA	504
0783287	51350-SNA-A03	HONDA	518	0783342	GSJ424	ROVER GROUP	1292
0783295	51350-TF0-030	HONDA	527	0783344	51450-SR0-A02	HONDA	513
				0783344	51450-SR0-A02	ROVER GROUP	1290
				0783344	51450-SR3-003	HONDA	513
				0783344	51450-SR3-003	ROVER GROUP	1290
				0783344	51450-SR3-013	HONDA	513
				0783344	51450-SR3-013	ROVER GROUP	1290
				0783344	51450-SR3-023	HONDA	513
				0783344	51450-SR3-023	ROVER GROUP	1290
				0783344	51450-ST3-E02	HONDA	513
				0783344	51450-ST3-E02	ROVER GROUP	1290
				0783344	RBJ102120	HONDA	513
				0783344	RBJ102120	ROVER GROUP	1290

RIF. OCAP OCAP REF.	RIF. ORIG. O.E. NUMBER	MARCA MAKE	PAG.	RIF. OCAP OCAP REF.	RIF. ORIG. O.E. NUMBER	MARCA MAKE	PAG.
0783348	52390-SM1-A03	HONDA	504-505	0783586	54500-52Y10	NISSAN	992, 997
0783348	52390-SM1-A03	ROVER GROUP	1292	0783586	54500-52Y15	NISSAN	992, 997
0783348	52390-SM4-003	HONDA	504-505	0783586	54500-52Y60	NISSAN	992, 997
0783348	52390-SM4-003	ROVER GROUP	1292	0783586	54500-52Y70	NISSAN	992, 997
0783348	52390-SM4-033	HONDA	504-505	0783587	54500-0M010	NISSAN	924
0783348	52390-SM4-033	ROVER GROUP	1292	0783587	54500-0M020	NISSAN	924
0783348	52390-SM4-A04	HONDA	504-505	0783587	54500-0M060	NISSAN	924
0783348	52390-SM4-A04	ROVER GROUP	1292	0783587	54500-4B000	NISSAN	924
0783348	52390-SM5-A03	HONDA	504-505	0783587	54500-4N000	NISSAN	924
0783348	52390-SM5-A03	ROVER GROUP	1292	0783587	54500-F4300	NISSAN	924
0783348	RGG102390	HONDA	504-505	0783604	7210-60380	SUBARU	1414
0783348	RGG102390	ROVER GROUP	1292	0783604	7210-60520	SUBARU	1414
0783351	51450-SV4-000	HONDA	505	0783604	7210-60560	SUBARU	1414
0783351	51450-SV4-A00	HONDA	505	0783605	20202-AG180	SUBARU	1419
0783357	54501-33000	HYUNDAI	566	0783605	20202-AG181	SUBARU	1419
0783374	54503-28010	HYUNDAI	559	0783661	45440-29045	TOYOTA	1475
0783376	8-94445-550-1	ISUZU	578	0783661	45440-29125	TOYOTA	1475
0783377	8-94246-419-0	ISUZU	581	0783661	45450-29085	TOYOTA	1475
0783377	8-94459-460-2	ISUZU	581	0783661	45450-39037	TOYOTA	1475
0783386	B001-34-310C	MAZDA	716	0783661	48068-19045	TOYOTA	1475
0783391	B092-34-310A	MAZDA	717	0783662	48068-19065	TOYOTA	1476
0783399	B01A-34-300E	MAZDA	719	0783662	48068-19125	TOYOTA	1476
0783400	B455-34-300	MAZDA	718	0783663	48068-20150	TOYOTA	1478
0783400	B455-34-300E	MAZDA	718	0783663	48068-20151	TOYOTA	1478
0783404	G030-34-300F	MAZDA	724	0783667	48068-12110	TOYOTA	1480
0783405	GF22-34-300A	MAZDA	725	0783672	48068-12130	TOYOTA	1481
0783405	GJ22-34-300A	MAZDA	725	0783672	48068-12140	TOYOTA	1481
0783406	B092-28-500B	MAZDA	717-718	0783799	48605-35030	TOYOTA	1503
0783409	GA2A-34-300	MAZDA	726	0783808	4408959	NISSAN	972
0783409	GA6BE-34-300	MAZDA	726	0783808	4408959	OPEL	1065
0783492	MB-831036	MITSUBISHI	906	0783808	4408959	RENAULT	1267
0783492	MR-124880	MITSUBISHI	906	0783808	4408959	VAUXHALL	1570
0783492	MR-296094	MITSUBISHI	906	0783808	54502-00QAA	NISSAN	972
0783492	MR-296096	MITSUBISHI	906	0783808	54502-00QAA	OPEL	1065
0783493	MB-860382	MITSUBISHI	907	0783808	54502-00QAA	RENAULT	1267
0783494	LMB-002583	MITSUBISHI	890	0783808	54502-00QAA	VAUXHALL	1570
0783495	54430-43004	HYUNDAI	549	0783808	8200054006	NISSAN	972
0783495	54430-43005	HYUNDAI	549	0783808	8200054006	OPEL	1065
0783496	HMB-303401	MITSUBISHI	900	0783808	8200054006	RENAULT	1267
0783499	54540-43150	HYUNDAI	549	0783808	8200054006	VAUXHALL	1570
0783499	54540-43151	HYUNDAI	549	0783808	8200247900	NISSAN	972
0783499	54540-43152	HYUNDAI	549	0783808	8200247900	OPEL	1065
0783499	MB-430113	HYUNDAI	549	0783808	8200247900	RENAULT	1267
0783499	MB-430113	MITSUBISHI	899	0783808	8200247900	VAUXHALL	1570
0783499	MB-527384	HYUNDAI	549	0783808	91166461	NISSAN	972
0783499	MB-527384	MITSUBISHI	899	0783808	91166461	OPEL	1065
0783499	MB-598018	HYUNDAI	549	0783808	91166461	RENAULT	1267
0783499	MB-598018	MITSUBISHI	899	0783808	91166461	VAUXHALL	1570
0783500	MB-349445	MITSUBISHI	873	0783814	51727863	FIAT	355
0783501	MB-518807	MITSUBISHI	874	0783814	51769075	FIAT	355
0783504	MB-907116	MITSUBISHI	875	0783814	98810139	FIAT	355
0783504	MB-912078	MITSUBISHI	875	0783821	1146130	FORD	440
0783505	MB-910841	MITSUBISHI	875	0783821	1146130	MAZDA	710
0783506	30818097	MITSUBISHI	870, 875-876	0783821	1207447	FORD	440
0783506	30818097	VOLVO	1719	0783821	1207447	MAZDA	710
0783506	MB-809221	MITSUBISHI	870, 875-876	0783821	1208511	FORD	440
0783506	MB-809221	VOLVO	1719	0783821	1208511	MAZDA	710
0783507	54540-4B001	HYUNDAI	549	0783821	1211756	FORD	440
0783549	54500-50J10	NISSAN	973	0783821	1211756	MAZDA	710
0783549	54500-86J00	NISSAN	973	0783821	1212807	FORD	440
0783549	54500-90J00	NISSAN	973	0783821	1212807	MAZDA	710
0783583	54100-H8500	NISSAN	989	0783821	1214911	FORD	440
0783584	54529-01A00	NISSAN	990	0783821	1214911	MAZDA	710
0783584	54529-04A00	NISSAN	990	0783821	DD32-34-300	FORD	440
0783585	54500-50A00	NISSAN	991	0783821	DD32-34-300	MAZDA	710

RIF. OCAP OCAP REF.	RIF. ORIG. O.E. NUMBER	MARCA MAKE	PAG.	RIF. OCAP OCAP REF.	RIF. ORIG. O.E. NUMBER	MARCA MAKE	PAG.
0783828	3665719	FORD	474	0784097	55120-38600	HYUNDAI	569
0783828	UH743210A	FORD	474	0784097	55120-38601	HYUNDAI	569
0783828	UH7534210	FORD	474	0784107	54501-2G000	KIA	626
0783828	UH7534210A	FORD	474	0784107	54501-2G001	KIA	626
0783828	UH7534210B	FORD	474	0784107	54501-2G100	KIA	626
0783829	3665712	FORD	475	0784107	54501-2G101	KIA	626
0783830	1032100	FORD	457	0784109	54501-1D000	KIA	616
0783830	1046445	FORD	457	0784115	MB-860408	MITSUBISHI	892
0783830	1063987	FORD	457	0784116	MB-109513	MITSUBISHI	892
0783867	1371231	FORD	496	0784118	MR-241024	MITSUBISHI	893
0783867	1438253	FORD	496	0784119	MR-241026	MITSUBISHI	893
0783867	1495683	FORD	496	0784119	MR-296028	MITSUBISHI	893
0783867	1553239	FORD	496	0784126	4010A014	MITSUBISHI	896
0783867	6C113A052BB	FORD	496	0784128	4013A088	MITSUBISHI	896
0783868	1763701	FORD	498	0784128	4013A330	MITSUBISHI	896
0783868	1764289	FORD	498	0784130	4013A274	MITSUBISHI	887
0783868	1782112	FORD	498	0784130	MR-403420	MITSUBISHI	887
0783868	1831354	FORD	498	0784141	4013A210	MITSUBISHI	910
0783868	1877332	FORD	498	0784149	48068-0K040	TOYOTA	1505
0783869	4042022	FORD	495	0784168	6U0407152A	SKODA	1368
0783869	4140393	FORD	495	0784172	8200255761	RENAULT	1217
0783869	4164518	FORD	495	0784173	54504-0131R	RENAULT	1181, 1217, 1256
0783869	4372130	FORD	495	0784173	545040131R	RENAULT	1181, 1217, 1256
0783869	4540774	FORD	495	0784173	545041327R	RENAULT	1181, 1217, 1256
0783870	1810330	FORD	499	0784173	545045476R	RENAULT	1181, 1217, 1256
0783870	1828699	FORD	499	0784173	545047954R	RENAULT	1181, 1217, 1256
0783870	1903526	FORD	499	0784173	8200298455	RENAULT	1181, 1217, 1256
0783877	8200026655	RENAULT	1204	0784173	8200457209	RENAULT	1181, 1217, 1256
0783877	8200273729	RENAULT	1204	0784173	8200679067	RENAULT	1181, 1217, 1256
0783877	8200389135	RENAULT	1204	0784219	96268440	CHEVROLET - DAEWOO	229
0783877	8200602613	RENAULT	1204	0784219	96305975	CHEVROLET - DAEWOO	229
0783892	4302207	OPEL	1034	0784220	96268455	CHEVROLET - DAEWOO	229
0783893	301017	OPEL	1035	0784233	51450-S01-023	HONDA	514
0783893	301017	VAUXHALL	1559	0784233	51450-S01-A02	HONDA	514
0783893	97125004	OPEL	1035	0784233	51450-S04-003	HONDA	514
0783893	97125004	VAUXHALL	1559	0784233	51450-S04-013	HONDA	514
0783959	54501-0X000	HYUNDAI	550	0784233	51450-S04-023	HONDA	514
0783959	54501-0X200	HYUNDAI	550	0784234	51350-S04-G00	HONDA	514
0784022	115420024	SKODA	1398	0784238	33326782238	BMW	132, 153, 198
0784022	115420026	SKODA	1398	0784242	51450-S1A-E01	HONDA	506
0784024	115420021	SKODA	1397	0784242	51450-S84-A01	HONDA	506
0784036	4656730-AH	CHRYSLER	236	0784248	96391851	CHEVROLET - DAEWOO	230
0784036	4656730AH	CHRYSLER	236	0784248	96415064	CHEVROLET - DAEWOO	230
0784071	54501-2H000	HYUNDAI	554	0784255	96378348	CHEVROLET - DAEWOO	233
0784071	54501-2H000	KIA	619	0784259	96535082	CHEVROLET - DAEWOO	218, 224
0784077	54501-1J500	HYUNDAI	552	0784259	96815894	CHEVROLET - DAEWOO	218
0784077	54501-1J700	HYUNDAI	552	0784259	96870466	CHEVROLET - DAEWOO	218
0784083	54501-2B000	HYUNDAI	565	0784260	6393300510	MERCEDES	847
0784083	54501-2B000	KIA	639	0784267	4143300407	MERCEDES	844
0784083	54501-2B100	HYUNDAI	565	0784267	4143300607	MERCEDES	844
0784083	54501-2B100	KIA	639	0784273	2113304407	MERCEDES	791
0784083	54501-2B500	HYUNDAI	565	0784273	2113306807	MERCEDES	791
0784083	54501-2B500	KIA	639	0784273	2113309007	MERCEDES	791
0784083	54501-2P000	HYUNDAI	565	0784279	5N0407152 **	VOLKSWAGEN	1681
0784083	54501-2P000	KIA	639	0784281	1K0407152AB *	AUDI	42
0784087	54501-38000	HYUNDAI	568	0784281	1K0407152AB *	SEAT	1343
0784087	54501-38010	HYUNDAI	568	0784281	1K0407152AB *	SKODA	1376
0784088	54501-38011	HYUNDAI	570	0784281	1K0407152AB *	VOLKSWAGEN	1606, 1616
0784088	54501-38011	KIA	624				
0784091	54420-3F600	HYUNDAI	571				
0784091	54420-3F601	HYUNDAI	571				
0784091	54420-3K000	HYUNDAI	571				
0784092	54420-3F600	HYUNDAI	571				
0784093	54501-3K000	HYUNDAI	572				
0784097	55120-38000	HYUNDAI	569				

RIF. OCAP OCAP REF.	RIF. ORIG. O.E. NUMBER	MARCA MAKE	PAG.	RIF. OCAP OCAP REF.	RIF. ORIG. O.E. NUMBER	MARCA MAKE	PAG.
			1690	0784355	5352028	VAUXHALL	1560
0784282	1K0407152AA	AUDI	42	0784355	93388569	OPEL	1044
0784282	1K0407152AA	SEAT	1343	0784355	93388569	VAUXHALL	1560
0784282	1K0407152AA	SKODA	1376	0784359	24454478	OPEL	1021, 1046, 1069
0784282	1K0407152AA	VOLKSWAGEN	1605, 1616, 1690	0784359	24454478	VAUXHALL	1545
0784282	1K0407152AB	AUDI	42	0784359	5352030	OPEL	1021, 1046, 1069
0784282	1K0407152AB	SEAT	1343				
0784282	1K0407152AB	SKODA	1376	0784359	5352030	VAUXHALL	1545
0784282	1K0407152AB	VOLKSWAGEN	1605, 1616, 1690	0784365	51450-SDA-A01	HONDA	507
				0784370	51350-SAA-E01	HONDA	526
0784282	1K0407152P	AUDI	42	0784384	54500-2F500	NISSAN	976
0784282	1K0407152P	SEAT	1343	0784384	54500-9F500	NISSAN	976
0784282	1K0407152P	SKODA	1376	0784385	54500-AV600	NISSAN	977
0784282	1K0407152P	VOLKSWAGEN	1605, 1616, 1690	0784385	54500-AV605	NISSAN	977
				0784385	54500-AV606	NISSAN	977
0784282	1K0407152Q	AUDI	42	0784398	54500-4M400	NISSAN	925
0784282	1K0407152Q	SEAT	1343	0784398	54500-4M410	NISSAN	925
0784282	1K0407152Q	SKODA	1376	0784398	54500-BM410	NISSAN	925
0784282	1K0407152Q	VOLKSWAGEN	1605, 1616, 1690	0784398	54500-BN300	NISSAN	925
				0784406	8200346942	RENAULT	1188
0784283	1K0407152BB	SKODA	1392	0784406	8200615058	RENAULT	1188
0784283	1K0407152BB	VOLKSWAGEN	1607	0784407	48068-20260	TOYOTA	1471
0784283	1K0407152BE	SKODA	1392	0784409	48068-42040	TOYOTA	1525
0784283	1K0407152BE	VOLKSWAGEN	1607	0784409	48068-42041	TOYOTA	1525
0784283	1K0407152BG	SKODA	1392	0784411	48068-42012	TOYOTA	1524
0784283	1K0407152BG	VOLKSWAGEN	1607	0784411	48068-42022	TOYOTA	1524
0784283	1K0407152BL	SKODA	1392	0784414	48068-02010	TOYOTA	1482
0784283	1K0407152BL	VOLKSWAGEN	1607	0784414	48068-12160	TOYOTA	1482
0784287	1569211	FORD	448	0784414	48068-12170	TOYOTA	1482
0784287	1576925	FORD	448	0784414	48068-12171	TOYOTA	1482
0784288	1328380	FORD	446	0784414	48068-12180	TOYOTA	1482
0784288	1328380	VOLVO	1716, 1721	0784414	48068-12181	TOYOTA	1482
0784288	1332074	FORD	446	0784414	48068-12190	TOYOTA	1482
0784288	1332074	VOLVO	1716, 1721	0784414	48068-12191	TOYOTA	1482
0784288	30714423	FORD	446	0784418	48068-05050	TOYOTA	1458
0784288	30714423	VOLVO	1716, 1721	0784428	B32H-34-300	MAZDA	712
0784288	30730830	FORD	446	0784428	B32H-34-300D	MAZDA	712
0784288	30730830	VOLVO	1716, 1721	0784428	BP4K-34-300E	MAZDA	712
0784288	30748230	FORD	446	0784429	BBM2-34-300	MAZDA	712
0784288	30748230	VOLVO	1716, 1721	0784429	BBM2-34-300A	MAZDA	712
0784288	31212980	FORD	446	0784431	GJ6A-34-200B	MAZDA	721
0784288	31212980	VOLVO	1716, 1721	0784449	1693300607	MERCEDES	758
0784288	31277465	FORD	446	0784449	1693300807	MERCEDES	758
0784288	31277465	VOLVO	1716, 1721	0784449	1693301007	MERCEDES	758
0784291	51350-S5A-A02	HONDA	516	0784457	54501-02000	HYUNDAI	542
0784291	51350-S5A-A03	HONDA	516	0784457	54501-02050	HYUNDAI	542
0784291	51350-S5A-A10	HONDA	516	0784457	54501-02051	HYUNDAI	542
0784291	51350-S5A-E50	HONDA	516	0784457	54501-02052	HYUNDAI	542
0784291	51350-S6A-000	HONDA	516	0784465	54502-26000	HYUNDAI	564
0784298	54500-AX600	NISSAN	949	0784467	54501-22000	HYUNDAI	539
0784298	54500-AX60B	NISSAN	949	0784467	54501-22100	HYUNDAI	539
0784298	54500-BC41A	NISSAN	949	0784467	54501-22200	HYUNDAI	539
0784298	54500-BC42A	NISSAN	949	0784468	54501-1C000	HYUNDAI	546
0784316	51450-S10-020	HONDA	520	0784479	30887654	VOLVO	1720
0784317	51350-S10-A00	HONDA	520	0784492	54500-41U00	NISSAN	946
0784317	51350-S10-G00	HONDA	520	0784493	54502-01G90	NISSAN	964
0784338	48068-28120	TOYOTA	1467, 1522	0784515	54501-25000	HYUNDAI	540
0784338	48068-33050	TOYOTA	1467, 1522	0784515	54501-25001	HYUNDAI	540
0784338	48068-33060	TOYOTA	1467, 1522	0784536	51450-SP0-033	HONDA	529
0784340	1332454	FORD	485	0784541	51450-SZ3-013	HONDA	530
0784340	1355048	FORD	485	0784542	51450-SZ3-901	HONDA	530
0784345	1781658	FORD	461	0784558	48610-60030	TOYOTA	1512
0784345	1793236	FORD	461	0784559	48620-60010	TOYOTA	1512
0784355	5352028	OPEL	1044	0784560	48610-60050	TOYOTA	1513

RIF. OCAP OCAP REF.	RIF. ORIG. O.E. NUMBER	MARCA MAKE	PAG.	RIF. OCAP OCAP REF.	RIF. ORIG. O.E. NUMBER	MARCA MAKE	PAG.
0784561	48068-60010	TOYOTA	1513	0785342	6R0407152 *	SKODA	1363, 1365, 1387
0784567	54501-4D001	KIA	618	0785342	6R0407152 *	VOLKSWAGEN	1668
0784570	51772988	FIAT	354	0785342	6R0407152E *	SEAT	1333
0784570	51772989	FIAT	354	0785342	6R0407152E *	SKODA	1363, 1365, 1387
0784571	OK9A2-34-300	KIA	622	0785342	6R0407152E *	VOLKSWAGEN	1668
0784572	OK9A6-34-300	KIA	622	0785493	96639896	CHEVROLET - DAEWOO	222
0784576	0SE46-34-250	KIA	614, 623	0785493	96970077	CHEVROLET - DAEWOO	222
0784576	0SE46-34-250A	KIA	623	0785494	54501-1W000	KIA	634
0784576	SE46-34-250	KIA	614	0785495	51810664	FIAT	356
0784594	C100-34-300A	MAZDA	743	0785495	51885660	FIAT	356, 416
0784594	C100-34-300B	MAZDA	743	0785495	51932036	FIAT	356, 416
0784598	MR-496796	MITSUBISHI	908	0785495	52008283	FIAT	356, 416
0784600	3521S9	CITROEN	258, 260, 267	0785495	52026317	FIAT	356
0784600	3521S9	PEUGEOT	1104	0785566	54524-EA000	NISSAN	958
0784600	3521T0	CITROEN	258, 260, 267	0785566	54524-EB70A	NISSAN	958
0784600	3521T0	PEUGEOT	1104	0785566	54524-EB70D	NISSAN	958
0784600	3521T3	CITROEN	258, 260, 267	0785568	54524-EB300	NISSAN	958
0784600	3521T3	PEUGEOT	1104	0785568	54524-EB30A	NISSAN	958
0784600	3521V2	CITROEN	258, 260, 267	0785569	54500-EB300	NISSAN	959
0784600	3521V2	PEUGEOT	1104	0785569	54500-EB31A	NISSAN	959
0784600	9803286480	CITROEN	258, 260, 267	0785574	1S0407152	SEAT	1352
0784600	9803286480	PEUGEOT	1104	0785574	1S0407152	SKODA	1358
0784615	54500-2U711	NISSAN	948	0785574	1S0407152	VOLKSWAGEN	1707
0784615	54500-6F600	NISSAN	948	0785575	1S0407152 *	SEAT	1352
0784625	54500-2S601	NISSAN	968	0785575	1S0407152 *	SKODA	1359
0784625	54500-2S685	NISSAN	968	0785575	1S0407152 *	VOLKSWAGEN	1707
0784625	54500-2S686	NISSAN	968	0785580	9670771480	CITROEN	259
0784625	54500-VK300	NISSAN	968	0785580	9670771480	PEUGEOT	1102
0784625	54500-VK325	NISSAN	968	0785583	54504-6817R	RENAULT	1189
0784626	54524-2S400	NISSAN	968	0785583	545046817R	RENAULT	1189
0784626	54524-2S485	NISSAN	968	0785583	54504-8506R	RENAULT	1189
0784626	54524-2S486	NISSAN	968	0785589	45201-59J00	SUZUKI	1432
0784640	54500-7C350	NISSAN	985	0785593	95032441	CHEVROLET - DAEWOO	232
0785159	54501-34000	HYUNDAI	567	0785593	95319216	CHEVROLET - DAEWOO	232
0785159	54501-34010	HYUNDAI	567	0785593	95952783	CHEVROLET - DAEWOO	232
0785174	4450208005	SSANGYONG	1408	0785594	95017036	CHEVROLET - DAEWOO	219
0785177	200200AC200F	SUBARU	1410, 1418	0785597	8E0505324M	AUDI	54
0785177	20200-AA200	SUBARU	1410, 1418	0785597	8E0505324M	SEAT	1322
0785177	20200FC120	SUBARU	1410, 1418	0785598	54500-1HAOC	NISSAN	950
0785182	4835716	SAAB	1301	0785691	RBJ500446	LAND ROVER	693
0785183	5236682	SAAB	1302	0785691	RBJ501280	LAND ROVER	693
0785189	48068-0F010	TOYOTA	1485	0785691	RBJ501600	LAND ROVER	693
0785195	54501-4H000	HYUNDAI	548	0785728	54501-1Y000	KIA	628
0785200	48610-OK040	TOYOTA	1505, 1507	0785728	54501-1Y100	KIA	628
0785335	51795840	FIAT	368	0785738	54501-A6200	HYUNDAI	555
0785335	59116607	FIAT	368	0785738	54501-A6200	KIA	620
0785336	545000001R	RENAULT	1206	0785740	545000008R	RENAULT	1207
0785336	545000002R	RENAULT	1206	0785740	545009246R	RENAULT	1207
0785336	545000011R	RENAULT	1206	0785744	4766910AE	CHRYSLER	239
0785337	4806301	CHEVROLET - DAEWOO	220	0785744	4766910AF	CHRYSLER	239
0785337	4806301	OPEL	1011	0785744	4766910AG	CHRYSLER	239
0785337	4812870	CHEVROLET - DAEWOO	220	0785744	4766910AH	CHRYSLER	239
0785337	4812870	OPEL	1011	0785744	4766910AI	CHRYSLER	239
0785337	96626236	CHEVROLET - DAEWOO	220	0785744	4766910AL	CHRYSLER	239
0785337	96626236	OPEL	1011	0785745	352523	CHEVROLET - DAEWOO	235
0785337	96819162	CHEVROLET - DAEWOO	220	0785745	352523	OPEL	1047
0785337	96819162	OPEL	1011	0785745	352552	CHEVROLET - DAEWOO	235
0785338	50521045	ALFA ROMEO	25	0785745	352552	OPEL	1047
0785341	6R0407152A	AUDI	32	0785745	94540669	CHEVROLET - DAEWOO	235
0785341	6R0407152A	SEAT	1336	0785745	94540669	OPEL	1047
0785341	6R0407152F	AUDI	32	0785745	95025705	CHEVROLET - DAEWOO	235
0785341	6R0407152F	SEAT	1336	0785745	95025705	OPEL	1047
0785341	6R0407152F	SKODA	1366, 1383	0785746	2H0407022B	VOLKSWAGEN	1571
0785341	6R0407152F	VOLKSWAGEN	1669				
0785342	6R0407152 *	SEAT	1333				

RIF. OCAP OCAP REF.	RIF. ORIG. O.E. NUMBER	MARCA MAKE	PAG.	RIF. OCAP OCAP REF.	RIF. ORIG. O.E. NUMBER	MARCA MAKE	PAG.
0785747	2H0407152A	VOLKSWAGEN	1572	0785770	545047654R	SMART	1401, 1403
0785748	5Q0407152G	AUDI	46	0785770	545048628R	RENAULT	1273
0785748	5Q0407152G	SEAT	1347	0785770	545048628R	SMART	1401, 1403
0785748	5Q0407152G	SKODA	1380	0785774	51350-T1G-E01	HONDA	523
0785748	5Q0407152G	VOLKSWAGEN	1613	0785783	54500-4EA0B	NISSAN	983
0785748	5Q0407152J	AUDI	46	0785783	54500-4EA0B	RENAULT	1196
0785748	5Q0407152J	SEAT	1347	0785785	1663500206	MERCEDES	810
0785748	5Q0407152J	SKODA	1380	0785791	55110-JD000	NISSAN	982, 984, 1007
0785748	5Q0407152J	VOLKSWAGEN	1613	0785791	55110-JD000	RENAULT	1197
0785749	5Q0407152J *	AUDI	46	0785791	55110-JG00B	NISSAN	982, 984, 1007
0785749	5Q0407152J *	SEAT	1347	0785791	55110-JG00B	RENAULT	1197
0785749	5Q0407152J *	SKODA	1380	0785792	6393301307	MERCEDES	848
0785749	5Q0407152J *	VOLKSWAGEN	1613	0785792	6393301501	MERCEDES	848
0785750	3C0407366B *	AUDI	47	0785793	1K0407152BB *	SKODA	1392
0785750	3C0407366B *	SEAT	1348	0785793	1K0407152BB *	VOLKSWAGEN	1607
0785750	3C0407366B *	SKODA	1381	0785793	1K0407152BE *	SKODA	1392
0785750	3C0407366B *	VOLKSWAGEN	1614	0785793	1K0407152BE *	VOLKSWAGEN	1607
0785751	5Q0505224D	AUDI	48	0785793	1K0407152BG *	SKODA	1392
0785751	5Q0505224D	SEAT	1319, 1349	0785793	1K0407152BG *	VOLKSWAGEN	1607
0785751	5Q0505224D	SKODA	1370, 1382	0785794	48068-42060	TOYOTA	1527
0785751	5Q0505224D	VOLKSWAGEN	1615, 1653, 1697	0785795	48068-42060 *	TOYOTA	1527
0785752	51959820	FIAT	417	0785799	39021473	OPEL	1024
0785752	51959820	JEEP	610	0786489	6R0407152F *	AUDI	32
0785753	51939751	FIAT	417	0786489	6R0407152F *	SEAT	1336
0785753	51939751	JEEP	610	0786489	6R0407152F *	SKODA	1366, 1384
0785754	52011612	FIAT	397	0786489	6R0407152F *	VOLKSWAGEN	1670
0785755	45201-71L00	SUZUKI	1437	0786491	4133882	FORD	463
0785758	3Q0407152E	SEAT	1318	0786491	4133882	MAZDA	746
0785758	3Q0407152E	SKODA	1369, 1394	0786491	4484852	FORD	463
0785758	3Q0407152E	VOLKSWAGEN	1652, 1683, 1696	0786491	4484852	MAZDA	746
0785758	3Q0407152F	SEAT	1318	0786491	4631871	FORD	463
0785758	3Q0407152F	SKODA	1369, 1394	0786491	4631871	MAZDA	746
0785758	3Q0407152F	VOLKSWAGEN	1652, 1683, 1696	0786491	4763903	FORD	463
0785758	3Q0407152J	SEAT	1318	0786491	4763903	MAZDA	746
0785758	3Q0407152J	SKODA	1369, 1394	0786491	EC01-34-300F	FORD	463
0785758	3Q0407152J	VOLKSWAGEN	1652, 1683, 1696	0786491	EC01-34-300F	MAZDA	746
0785758	3Q0407152J	SEAT	1318	0786491	EC01-34-300G	FORD	463
0785758	3Q0407152J	SKODA	1369, 1394	0786491	EC01-34-300G	MAZDA	746
0785758	3Q0407152J	VOLKSWAGEN	1652, 1683, 1696	0786491	EC01-34-300H	FORD	463
0785758	3Q0407152J	SEAT	1318	0786491	EC01-34-300H	MAZDA	746
0785758	3Q0407152J	SKODA	1369, 1394	0786491	EC01-34-300H	MAZDA	746
0785758	3Q0407152J	VOLKSWAGEN	1652, 1683, 1696	0786491	EC01-34-300J	FORD	463
0785758	3Q0407152J	SEAT	1318	0786491	EC01-34-300J	MAZDA	746
0785758	3Q0407152J	SKODA	1369, 1394	0786491	EC01-34-300J	MAZDA	746
0785758	3Q0407152J	VOLKSWAGEN	1652, 1683, 1696	0786491	EC01-34-300K	FORD	463
0785759	3Q0407152E *	SEAT	1318	0786491	EC01-34-300K	FORD	463
0785759	3Q0407152E *	SKODA	1369, 1394	0786491	EC01-34-300K	MAZDA	746
0785759	3Q0407152E *	VOLKSWAGEN	1652, 1683, 1696	0786491	EC01-34-300L	FORD	463
0785759	3Q0407152E *	VOLKSWAGEN	1652, 1683, 1696	0786491	EC01-34-300L	MAZDA	746
0785759	3Q0407152F *	SEAT	1318	0786493	51849600	FIAT	379
0785759	3Q0407152F *	SKODA	1369, 1394	0786493	51849600	FIAT	379
0785759	3Q0407152F *	VOLKSWAGEN	1652, 1683, 1696	0786493	51928527	FIAT	379
0785759	3Q0407152F *	VOLKSWAGEN	1652, 1683, 1696	0786493	51957400	FIAT	379
0785760	48068-B4010	DAIHATSU	337	0786494	1502086	FORD	460
0785760	48068-B4011	DAIHATSU	337	0786494	1723323	FORD	460
0785767	561407152A	VOLKSWAGEN	1573	0786498	51890709	LANCIA	673
0785767	561407152C	VOLKSWAGEN	1573	0786498	51905058	LANCIA	673
0785768	561407152A *	VOLKSWAGEN	1573	0786498	51956712	LANCIA	673
0785768	561407152C *	VOLKSWAGEN	1573	0786500	54500-CC40A	NISSAN	951
0785769	9678311280 **	PEUGEOT	1124	0787249	42551297	IVECO	589
0785769	9807914180 **	PEUGEOT	1124	0787249	500334713	IVECO	589
0785770	4533303000	RENAULT	1273	0787249	500344888	IVECO	589
0785770	4533303000	SMART	1401, 1403	0787249	500379802	IVECO	589
0785770	4533303200	RENAULT	1273	0787250	42551290	IVECO	589
0785770	4533303200	SMART	1401, 1403	0787250	500334716	IVECO	589
0785770	545047654R	RENAULT	1273	0788063	51350-SWA-E00	HONDA	522
				0788063	51350-SWA-E01	HONDA	522
				0788065	4450209001	SSANGYONG	1406, 1408
				0788069	1249593	FORD	449

RIF. OCAP OCAP REF.	RIF. ORIG. O.E. NUMBER	MARCA MAKE	PAG.	RIF. OCAP OCAP REF.	RIF. ORIG. O.E. NUMBER	MARCA MAKE	PAG.	
0788069	1702970	FORD	449	0788094	54501-2K300	KIA	640	
0788069	1709423	FORD	449	0788096	GS1D-34-200A	MAZDA	722	
0788069	1709424	FORD	449	0788097	EG21-34-300D	MAZDA	733	
0788069	1709457	FORD	449	0788097	EH44-34-300	MAZDA	733	
0788069	1742265	FORD	449	0788097	EH44-34-300C	MAZDA	733	
0788069	1749991	FORD	449	0788099	545001064R	DACIA	316, 319	
0788071	54500-1KA0B	NISSAN	940	0788099	545001064R	RENAULT	1264	
0788073	48068-0F030	TOYOTA	1457, 1535	1484,	0788099	545004529R	DACIA	316, 319
0788073	48068-12300	TOYOTA	1457, 1535	1484,	0788099	545004529R	RENAULT	1264
0788074	5C0407152A	VOLKSWAGEN	1619	0788099	545006623R	DACIA	316, 319	
0788074	5C0407152B	VOLKSWAGEN	1619	0788099	545006623R	RENAULT	1264	
0788074	5C0407152D	VOLKSWAGEN	1619	0788099	545007106R	DACIA	316, 319	
0788075	5C0407152A *	VOLKSWAGEN	1619	0788099	545007106R	RENAULT	1264	
0788075	5C0407152B *	VOLKSWAGEN	1619	0788099	545007106R	RENAULT	1264	
0788075	5C0407152D *	VOLKSWAGEN	1619	0788099	545007106R	RENAULT	1264	
0788076	1K0505224K	AUDI	45, 100	0788502	545045297R	RENAULT	1220	
0788076	1K0505224K	SEAT	1346	0788510	31122785112	MINI	861	
0788076	1K0505224K	SKODA	1378, 1393	0788510	31126850398	MINI	861	
0788076	1K0505224K	VOLKSWAGEN	1574, 1612, 1618, 1620, 1675	1608,	0788510	31126879842	MINI	861
0788077	1612448480	CITROEN	265, 285	0788513	9678311280 *	CITROEN	270	
0788077	1612448480	MITSUBISHI	866, 888, 902-903	0788513	9807914180 *	CITROEN	270	
0788077	1612448480	PEUGEOT	1153-1154	0788520	54524-9X502	NISSAN	936	
0788077	3521R1	CITROEN	265, 285	0788530	33326861126	BMW	175	
0788077	3521R1	MITSUBISHI	866, 888, 902-903	0788535	31122785114	BMW	135, 199	
0788077	3521R1	PEUGEOT	1153-1154	0788535	31122785114	MINI	865	
0788077	3521V0	CITROEN	265, 285	0788535	31126851204	BMW	135, 199	
0788077	3521V0	MITSUBISHI	866, 888, 902-903	0788535	31126851204	MINI	865	
0788077	3521V0	PEUGEOT	1153-1154	0788535	31126871302	BMW	135, 199	
0788077	4013A010	CITROEN	265, 285	0788535	31126871302	MINI	865	
0788077	4013A010	MITSUBISHI	866, 888, 902-903	0788535	31126879844	BMW	135, 199	
0788077	4013A010	PEUGEOT	1153-1154	0788535	31126879844	MINI	865	
0788077	4013A218	CITROEN	265, 285	0788539	3646247	OPEL	1036	
0788077	4013A218	MITSUBISHI	866, 888, 902-903	0788539	9816865480	OPEL	1036	
0788077	4013A218	PEUGEOT	1153-1154	0788539	9816865480	PEUGEOT	1152	
0788077	4013A280	CITROEN	265, 285	0788662	48068-26130	TOYOTA	1499	
0788077	4013A280	MITSUBISHI	866, 888, 902-903	0788662	48068-26131	TOYOTA	1499	
0788077	4013A280	PEUGEOT	1153-1154	0788662	48068-26132	TOYOTA	1499	
0788077	4013A218	CITROEN	265, 285	0788668	1841630	FORD	486	
0788077	4013A218	MITSUBISHI	866, 888, 902-903	0788668	1893094	FORD	486	
0788077	4013A218	PEUGEOT	1153-1154	0788668	1933112	FORD	486	
0788077	4013A280	CITROEN	265, 285	0788668	2080389	FORD	486	
0788077	4013A280	MITSUBISHI	866, 888, 902-903	0788669	1612753580	CITROEN	265	
0788077	4013A280	PEUGEOT	1153-1154	0788669	1612753580	MITSUBISHI	866, 888, 903	
0788077	4013A282	CITROEN	265, 285	0788669	1612753580	PEUGEOT	1154	
0788077	4013A282	MITSUBISHI	866, 888, 902-903	0788669	4013A444	CITROEN	265	
0788077	4013A282	PEUGEOT	1153-1154	0788669	4013A444	MITSUBISHI	866, 888, 903	
0788078	48068-12260 *	TOYOTA	1483	0788669	4013A444	PEUGEOT	1154	
0788087	33326792544	BMW	134, 155, 157	0788674	7L0505312A	AUDI	96	
0788088	33326792540	BMW	134, 155, 157	0788674	7L0505312A	PORSCHE	1173	
0788089	30681488	VOLVO	1732	0788674	7L0505312A	VOLKSWAGEN	1687	
0788089	31277526	VOLVO	1732	0788674	7L0505312B	AUDI	96	
0788089	31317666	VOLVO	1732	0788674	7L0505312B	PORSCHE	1173	
0788090	30683249	VOLVO	1733	0788674	7L0505312B	VOLKSWAGEN	1687	
0788090	31202229	VOLVO	1733	0788676	1043966-00-A	TESLA	1452	
0788090	31277346	VOLVO	1733	0788676	600893000A	TESLA	1452	
0788090	31317664	VOLVO	1733	0788683	352522	OPEL	1048	
0788092	54501-2Y000	HYUNDAI	558	0788683	352553	OPEL	1048	
0788092	54501-2Y000	KIA	643	0788686	48068-0K010	TOYOTA	1506	
0788093	54501-1P000	HYUNDAI	557	0788687	48610-0K010	TOYOTA	1506	
0788093	54501-1P000	KIA	644	0788688	48068-F4010	TOYOTA	1474	
0788094	54501-2K000	KIA	640	0788689	6R0505224	AUDI	33	
				0788831	54501-B9000	HYUNDAI	551	
				0788838	2112616	FORD	443	
				0788845	4473301507	MERCEDES	849	
				0788847	4473303500	MERCEDES	850	

RIF. OCAP OCAP REF.	RIF. ORIG. O.E. NUMBER	MARCA MAKE	PAG.	RIF. OCAP OCAP REF.	RIF. ORIG. O.E. NUMBER	MARCA MAKE	PAG.
0788852	54501-C8000	HYUNDAI	553	0790073	3520G3	CITROEN	248, 308, 314
0788859	8W0501530D	AUDI	63	0790073	3520G3	PEUGEOT	1081
0788860	8W0505398C	AUDI	63	0790073	3520G5	CITROEN	248, 308, 314
0788860	8W0505398E	AUDI	63	0790073	3520G5	PEUGEOT	1081
0788862	9678311280	CITROEN	270	0790073	95658882	CITROEN	248, 308, 314
0788862	9678311280	PEUGEOT	1124	0790073	95658882	PEUGEOT	1081
0788862	9807914180	CITROEN	270	0790098	895407147A	AUDI	115
0788862	9807914180	PEUGEOT	1124	0790103	0352077	OPEL	1016
0788863	2Q0407152B	AUDI	34	0790103	0352077	VAUXHALL	1542
0788863	2Q0407152B	SEAT	1311, 1338	0790103	352077	OPEL	1016
0788863	2Q0407152B	VOLKSWAGEN	1671	0790103	352077	VAUXHALL	1542
0788864	2Q0407152B *	AUDI	34	0790103	352143	OPEL	1016
0788864	2Q0407152B *	SEAT	1311, 1338	0790103	352143	VAUXHALL	1542
0788864	2Q0407152B *	VOLKSWAGEN	1671	0790103	352193	OPEL	1016
0788865	2Q0407152C	AUDI	35	0790103	352193	VAUXHALL	1542
0788865	2Q0407152C	SEAT	1312, 1339	0790103	5352001	OPEL	1016
0788865	2Q0407152C	VOLKSWAGEN	1672	0790103	5352001	VAUXHALL	1542
0788866	2Q0407152C *	AUDI	35	0790113	352135	OPEL	1054
0788866	2Q0407152C *	SEAT	1312, 1339	0790113	352135	VAUXHALL	1549
0788866	2Q0407152C *	VOLKSWAGEN	1672	0790113	90288387	OPEL	1054
0788870	LR037702	LAND ROVER	691, 696	0790113	90288387	VAUXHALL	1549
0788870	LR048090	LAND ROVER	691, 696	0790143	352084	PEUGEOT	1115-1116
0788877	54501-A0000	HYUNDAI	543	0790143	352099	PEUGEOT	1115-1116
0788887	1783551	FORD	424	0790143	3520F3	PEUGEOT	1115-1116
0788887	1793902	FORD	424	0790144	352083	PEUGEOT	1114, 1116
0788887	2038338	FORD	424	0790144	352098	PEUGEOT	1114, 1116
0788887	2106518	FORD	424	0790144	3520F1	PEUGEOT	1114, 1116
0788887	CN153042AB	FORD	424	0790204	1H0407151A	SEAT	1356
0789225	1209245	FORD	458, 482	0790204	1H0407151A	VOLKSWAGEN	1600
0789225	1255371	FORD	458, 482	0790227	1243301807	MERCEDES	762
0789225	1448485	FORD	458, 482	0790228	2013304007	MERCEDES	763
0789262	05105040AA	JEEP	606	0790231	007304447	SKODA	1367
0789262	05105040AB	JEEP	606	0790231	6U0407151B	SKODA	1367
0789262	05105040AC	JEEP	606	0790238	1683300807	MERCEDES	755
0789262	05105040AD	JEEP	606	0790238	1683301107	MERCEDES	755
0789262	05105040AE	JEEP	606	0790238	1683301707	MERCEDES	755
0789262	05105040AF	JEEP	606	0790238	1683302307	MERCEDES	755
0789262	05105040AG	JEEP	606	0790340	0KX43-34-350	KIA	614, 623
0789283	48610-59025	LEXUS	700	0790340	0S083-34-350B	KIA	614, 623
0789288	3C0505224	AUDI	90	0790340	0S617-34-350	KIA	614, 623
0789288	3C0505224	VOLKSWAGEN	1651	0790340	0S617-34-350A	KIA	614, 623
0789288	3C0505224A	AUDI	90	0790340	KX43-34-350	KIA	614, 623
0789288	3C0505224A	VOLKSWAGEN	1651	0790365	352003	OPEL	1028
0789288	3C0505224D	AUDI	90	0790365	352003	VAUXHALL	1554
0789288	3C0505224D	VOLKSWAGEN	1651	0790365	352181	OPEL	1028
0789289	1K0505224L	VOLKSWAGEN	1651	0790365	352181	VAUXHALL	1554
0789290	1T0505224F	VOLKSWAGEN	1692, 1695	0790365	90445118	OPEL	1028
0790004	5939683	FIAT	401	0790365	90445118	VAUXHALL	1554
0790004	7705615	FIAT	401	0790365	90511260	OPEL	1028
0790072	3520A3	CITROEN	247, 307, 314	0790365	90511260	VAUXHALL	1554
0790072	3520A3	PEUGEOT	1080	0790366	352003 **	OPEL	1028
0790072	3520F6	CITROEN	247, 307, 314	0790366	352003 **	VAUXHALL	1554
0790072	3520F6	PEUGEOT	1080	0790370	7700820028	RENAULT	1271
0790072	3520F8	CITROEN	247, 307, 314	0790393	1023028	FORD	464, 466
0790072	3520F8	PEUGEOT	1080	0790393	1030278	FORD	464, 466
0790072	3520G4	CITROEN	247, 307, 314	0790393	1043158	FORD	464, 466
0790072	3520G4	PEUGEOT	1080	0790393	1102949	FORD	464, 466
0790072	95658885	CITROEN	247, 307, 314	0790393	1141294	FORD	464, 466
0790072	95658885	PEUGEOT	1080	0790393	6954471	FORD	464, 466
0790073	3520A2	CITROEN	248, 308, 314	0790413	7700794386	RENAULT	1183
0790073	3520A2	PEUGEOT	1081	0790414	7700794833	RENAULT	1183
0790073	3520F5	CITROEN	248, 308, 314	0790415	7700436302	RENAULT	1215, 1241
0790073	3520F5	PEUGEOT	1081	0790415	7700781034	RENAULT	1215, 1241
0790073	3520F7	CITROEN	248, 308, 314	0790415	7700818051	RENAULT	1215, 1241
0790073	3520F7	PEUGEOT	1081	0790415	7700831368	RENAULT	1215, 1241

RIF. OCAP OCAP REF.	RIF. ORIG. O.E. NUMBER	MARCA MAKE	PAG.	RIF. OCAP OCAP REF.	RIF. ORIG. O.E. NUMBER	MARCA MAKE	PAG.
0790416	7700818053	RENAULT	1215, 1243	0790943	1063986	FORD	457
0790416	7700829841	RENAULT	1215, 1243	0790943	7152272	FORD	435
0790420	8-94323-563-1	ISUZU	581	0790949	6645157	FORD	434
0790437	54503-2S485	NISSAN	967	0790949	7152279	FORD	434
0790476	46454595	FIAT	371	0790964	6705520	FORD	434
0790477	46454597	FIAT	372, 374	0790964	7152280	FORD	434
0790477	46539278	FIAT	372, 374	0791006	1H0407151A *	SEAT	1356
0790482	30821651	MITSUBISHI	869, 916	0791006	1H0407151A *	VOLKSWAGEN	1600
0790482	30821651	VOLVO	1718	0791049	5352011	OPEL	1030
0790482	30883988	MITSUBISHI	869, 916	0791049	5352011	VAUXHALL	1556
0790482	30883988	VOLVO	1718	0791050	5352011 *	OPEL	1030
0790482	30887025	MITSUBISHI	869, 916	0791050	5352011 *	VAUXHALL	1556
0790482	30887025	VOLVO	1718	0791056	1073215	FORD	444
0790482	30887469	MITSUBISHI	869, 916	0791056	1090738	FORD	444
0790482	30887469	VOLVO	1718	0791242	352043	OPEL	1026
0790482	30889962	MITSUBISHI	869, 916	0791242	352043	VAUXHALL	1562
0790482	30889962	VOLVO	1718	0791243	352123 **	CHEVROLET - DAEWOO	223
0790482	MR-179479	MITSUBISHI	869, 916	0791243	352123 **	OPEL	1043
0790482	MR-179479	VOLVO	1718	0791243	90375505 *	VAUXHALL	1541
0790482	MR-915769	MITSUBISHI	869, 916	0791244	352043 **	OPEL	1026
0790482	MR-915769	VOLVO	1718	0791244	352043 **	VAUXHALL	1562
0790585	4104851	FIAT	409	0791245	352123	CHEVROLET - DAEWOO	223
0790586	4159399	FIAT	409	0791245	352123	OPEL	1043
0790587	4278319	FIAT	411	0791245	352123	VAUXHALL	1541
0790587	92401523	FIAT	411	0791245	352128	CHEVROLET - DAEWOO	223
0790588	4355947	FIAT	411	0791245	352128	OPEL	1043
0790661	1243303807	MERCEDES	761	0791245	352128	VAUXHALL	1541
0790661	2013303807	MERCEDES	761	0791245	352169	CHEVROLET - DAEWOO	223
0790662	2101-2904010	LADA	649	0791245	352169	OPEL	1043
0790662	21012904010	LADA	649	0791245	352169	VAUXHALL	1541
0790666	6100990	FORD	427	0791245	5352014	CHEVROLET - DAEWOO	223
0790668	82370203	LANCIA	655	0791245	5352014	OPEL	1043
0790668	82391820	LANCIA	655	0791245	5352014	VAUXHALL	1541
0790670	1153303607	MERCEDES	750, 827	0791245	90375505	CHEVROLET - DAEWOO	223
0790670	1153303807	MERCEDES	750, 827	0791245	90375505	OPEL	1043
0790680	7700525702	RENAULT	1223, 1225	0791245	90375505	VAUXHALL	1541
0790682	7700542358	RENAULT	1223, 1225	0791245	96185969	CHEVROLET - DAEWOO	223
0790682	7700703948	RENAULT	1223, 1225	0791245	96185969	OPEL	1043
0790683	7700703950	RENAULT	1223, 1225	0791245	96185969	VAUXHALL	1541
0790687	7700652000	RENAULT	1228	0791245	96185971	CHEVROLET - DAEWOO	223
0790687	7700691630	RENAULT	1228	0791245	96185971	OPEL	1043
0790687	7700704114	RENAULT	1228	0791245	96185971	VAUXHALL	1541
0790688	7700783454	RENAULT	1261	0791245	96218397	CHEVROLET - DAEWOO	223
0790688	7700783455	RENAULT	1261	0791245	96218397	OPEL	1043
0790690	6001021454	RENAULT	1261	0791245	96218397	VAUXHALL	1541
0790690	7700783463	RENAULT	1261	0791245	96218399	CHEVROLET - DAEWOO	223
0790691	7700783449	RENAULT	1230, 1250	0791245	96218399	OPEL	1043
0790691	7700783451	RENAULT	1230, 1250	0791245	96218399	VAUXHALL	1541
0790691	7700834449	RENAULT	1230, 1250	0791245	96445371	CHEVROLET - DAEWOO	223
0790732	7700649105	RENAULT	1239	0791245	96445371	OPEL	1043
0790733	7700758441	RENAULT	1251	0791245	96445371	VAUXHALL	1541
0790733	7701161724	RENAULT	1251	0791245	96445373	CHEVROLET - DAEWOO	223
0790733	7701161726	RENAULT	1251	0791245	96445373	OPEL	1043
0790733	7701641726	RENAULT	1251	0791245	96445373	VAUXHALL	1541
0790736	6193086	FORD	433	0791319	46402876	LANCIA	662
0790736	6645156	FORD	433	0791319	46414734	LANCIA	662
0790854	7152271	FORD	435	0791365	7700425724	RENAULT	1216, 1254
0790915	54501-44B00	NISSAN	947	0791365	7700430765	RENAULT	1216, 1254
0790915	54501-4F102	NISSAN	947	0791365	7700430831	RENAULT	1216, 1254
0790915	54501-4F105	NISSAN	947	0791365	8200737132	RENAULT	1254
0790915	54501-4F150	NISSAN	947	0791428	352029	OPEL	1056
0790940	1054989	FORD	433	0791428	352029	VAUXHALL	1564
0790940	7152281	FORD	433	0791428	352197	OPEL	1056
0790943	1032101	FORD	457	0791428	352197	VAUXHALL	1564
0790943	1046455	FORD	457	0791428	5352007	OPEL	1056

RIF. OCAP OCAP REF.	RIF. ORIG. O.E. NUMBER	MARCA MAKE	PAG.	RIF. OCAP OCAP REF.	RIF. ORIG. O.E. NUMBER	MARCA MAKE	PAG.
0791428	5352007	VAUXHALL	1564	0791820	RBJ102450	LAND ROVER	684
0791428	90445669	OPEL	1056	0791820	RBJ102930	LAND ROVER	684
0791428	90445669	VAUXHALL	1564	0791826	1243303407	MERCEDES	783, 829
0791428	90497307	OPEL	1056	0791827	3520H3	CITROEN	250, 252, 310, 312
0791428	90497307	VAUXHALL	1564	0791827	3520H3	PEUGEOT	1082, 1084, 1117
0791428	90576788	OPEL	1056	0791827	3520H5	CITROEN	250, 252, 310, 312
0791428	90576788	VAUXHALL	1564	0791827	3520H5	PEUGEOT	1082, 1084, 1117
0791447	46777742	FIAT	354, 372, 374, 394	0791827	3520H6	CITROEN	250, 252, 310, 312
0791447	46813842	FIAT	354, 372, 374, 394	0791827	3520H8	CITROEN	250, 252, 310, 312
0791447	51712408	FIAT	354, 372, 374, 394	0791837	1020220	FORD	437-438
0791450	46546777	FIAT	372	0791837	1020220	MAZDA	709
0791459	3520F1 *	PEUGEOT	1117	0791837	1046073	FORD	437-438
0791460	3520F3 *	PEUGEOT	1117	0791837	1046073	MAZDA	709
0791505	2D0407021	VOLKSWAGEN	1624	0791837	1058331	FORD	437-438
0791505	2D0407021B	VOLKSWAGEN	1624	0791837	1058331	MAZDA	709
0791505	9013301607	MERCEDES	840	0791837	1063248	FORD	437-438
0791505	9013301807	MERCEDES	840	0791837	1063248	MAZDA	709
0791505	9013302407	MERCEDES	840	0791837	1071701	FORD	437-438
0791510	3520L4	CITROEN	257	0791837	1071701	MAZDA	709
0791510	3520L9	CITROEN	257	0791837	1E00-34-350A	FORD	437-438
0791510	3520Q0	CITROEN	257	0791837	1E00-34-350A	MAZDA	709
0791510	3520R0	CITROEN	257	0791837	1E00-34-350B	FORD	437-438
0791510	3520R2	CITROEN	257	0791837	1E00-34-350B	MAZDA	709
0791510	3520R5	CITROEN	257	0791837	1E00-34-350C	FORD	437-438
0791516	48069-59035	TOYOTA	1536	0791837	1E00-34-350C	MAZDA	709
0791715	1058280	FORD	431	0791837	1E00-34-350D	FORD	437-438
0791715	6525844	FORD	431	0791837	1E00-34-350D	MAZDA	709
0791715	6770225	FORD	431	0791837	1E00-34-350E	FORD	437-438
0791715	7102645	FORD	431	0791837	1E00-34-350E	MAZDA	709
0791715	7351748	FORD	431	0791838	1046072	FORD	437, 439
0791733	1243303007	MERCEDES	762, 783, 828	0791838	1058332	FORD	437, 439
0791747	5352005	OPEL	1018, 1062	0791838	1063246	FORD	437, 439
0791747	5352005	VAUXHALL	1543, 1566	0791838	1071702	FORD	437, 439
0791747	5352016	OPEL	1018, 1062	0791839	1020221	FORD	436, 439, 473
0791747	5352016	VAUXHALL	1543, 1566	0791839	1020221	MAZDA	709
0791751	MR-297241	MITSUBISHI	871, 916	0791839	1021220	FORD	436, 439, 473
0791751	MR-911570	MITSUBISHI	871, 916	0791839	1021220	MAZDA	709
0791751	MR-916133	MITSUBISHI	871, 916	0791839	1072279	FORD	436, 439, 473
0791763	MB-912505	MITSUBISHI	882-883	0791839	1072279	MAZDA	709
0791763	MR-162803	MITSUBISHI	882-883	0791839	1330239	FORD	439, 473
0791766	MR-414939	MITSUBISHI	912	0791839	1330239	MAZDA	709
0791773	1116579	FORD	468	0791839	1E01-34-350E	FORD	439, 473
0791773	1116579	JAGUAR	596	0791839	1E01-34-350E	MAZDA	709
0791773	1131387	FORD	468	0791866	31124015707	MINI	857
0791773	1131387	JAGUAR	596	0791866	31126753989	MINI	857
0791773	1139928	FORD	468	0791866	31126761409	MINI	857
0791773	1139928	JAGUAR	596	0791876	33321095411	BMW	207
0791773	1149803	FORD	468	0791876	33326770747	BMW	207
0791773	1149803	JAGUAR	596	0791876	33326770859	BMW	207
0791773	1203924	FORD	468	0791880	1130577	FORD	422
0791773	1203924	JAGUAR	596	0791885	24428977	OPEL	1032
0791773	1311417	FORD	468	0791885	24428977	VAUXHALL	1557
0791773	1311417	JAGUAR	596	0791885	24449453	OPEL	1032
0791773	1909998	FORD	468	0791885	24449453	VAUXHALL	1557
0791773	1909998	JAGUAR	596	0791885	352041	OPEL	1032
0791773	C2S39662	JAGUAR	596	0791885	352041	VAUXHALL	1557
0791818	54525-2F000	NISSAN	973, 976	0791885	352045	OPEL	1032
0791818	54525-2F010	NISSAN	973, 976	0791885	352045	VAUXHALL	1557
0791818	54525-2J001	NISSAN	973, 976	0791885	352045	OPEL	1032
0791818	54525-50J00	NISSAN	973, 976	0791885	352045	VAUXHALL	1557
0791818	54525-86J01	NISSAN	973, 976	0791885	352061	OPEL	1032
0791818	54525-86J10	NISSAN	973, 976	0791885	352061	VAUXHALL	1557

RIF. OCAP OCAP REF.	RIF. ORIG. O.E. NUMBER	MARCA MAKE	PAG.	RIF. OCAP OCAP REF.	RIF. ORIG. O.E. NUMBER	MARCA MAKE	PAG.
0791906	6383300010	MERCEDES	845	0792181	1403306407	MERCEDES	819
0791949	45200-60820	SUBARU	1415	0792181	1403307007	MERCEDES	819
0791949	45200-60822	SUBARU	1415	0792268	50705464	FIAT	343, 393
0791949	45201-60B01	SUBARU	1415	0792268	50705464	LANCIA	660
0791949	45202-50G10	SUZUKI	1435	0792268	51827736	FIAT	343, 393
0791949	45202-60B01	SUBARU	1415	0792268	51827736	LANCIA	660
0791949	45202-60B01	SUZUKI	1435	0792282	6R0407151B	AUDI	31
0791949	45202-60E01	SUBARU	1415	0792282	6R0407151B	SEAT	1335
0791949	45202-60E01	SUZUKI	1435	0792282	6R0407151C	AUDI	31
0791949	45202-70C00	SUBARU	1415	0792282	6R0407151C	SEAT	1335
0791949	45202-70C00	SUZUKI	1435	0792283	6R0407151B *	AUDI	32
0791958	MB-809222	MINI	870, 872, 876, 917	0792283	6R0407151B *	SEAT	1336
0791959	MR-241341	MINI	876	0792283	6R0407151C *	AUDI	32
0791965	MR-171307	MINI	870, 872, 917	0792283	6R0407151C *	SEAT	1336
0791987	54501-21B00	NISSAN	947	0792311	4543300707	MINI	877
0791998	MR-130479	MINI	872, 917	0792311	4543300707	SMART	1402
0792055	857407147A	AUDI	109, 111, 113	0792311	MN-186217	MINI	877
0792055	857407147A	VOLKSWAGEN	1634-1635	0792311	MN-186217	SMART	1402
0792055	893407147C	AUDI	109, 111, 113	0792354	3520Q2	CITROEN	255
0792055	893407147C	VOLKSWAGEN	1634-1635	0792354	3520Q2	PEUGEOT	1092
0792055	893407147E	AUDI	111	0792354	3520Q2	TOYOTA	1462
0792089	2103303407	MERCEDES	786	0792354	48069-0H010	CITROEN	255
0792089	2103306107	MERCEDES	786	0792354	48069-0H010	PEUGEOT	1092
0792089	2103307607	MERCEDES	786	0792354	48069-0H010	TOYOTA	1462
0792089	2103309007	MERCEDES	786	0792355	3520P1	PEUGEOT	1086
0792116	5N0407151 *	VOLKSWAGEN	1581, 1649	0792355	3520R6	PEUGEOT	1086
0792117	5N0407151	VOLKSWAGEN	1581, 1649, 1681	0792357	3520W3	ALFA ROMEO	28
0792131	1614191480	CITROEN	256	0792357	3520W3	CITROEN	295
0792131	1614191480	PEUGEOT	1093	0792357	3520W3	FIAT	368, 383
0792131	1614191480	TOYOTA	1463	0792357	3520Y4	PEUGEOT	1071
0792131	48069-0H020	CITROEN	256	0792357	3520Y4	ALFA ROMEO	28
0792131	48069-0H020	PEUGEOT	1093	0792357	3520Y4	CITROEN	295
0792131	48069-0H020	TOYOTA	1463	0792357	3520Y4	FIAT	368, 383
0792131	B000770280	CITROEN	256	0792357	3520Y4	PEUGEOT	1071
0792131	B000770280	PEUGEOT	1093	0792357	51783057	ALFA ROMEO	28
0792131	B000770280	TOYOTA	1463	0792357	51783057	CITROEN	295
0792132	545018433R	RENAULT	1193	0792357	51783057	FIAT	365, 368, 383
0792132	545051051R545050704R	RENAULT	1193	0792357	51783057	PEUGEOT	1071
0792132	8200266038	RENAULT	1193	0792357	51895367	ALFA ROMEO	28
0792132	8200458813	RENAULT	1193	0792357	51895367	CITROEN	295
0792132	8200484810	RENAULT	1193	0792357	51895367	FIAT	365, 368, 383
0792132	8200602616	RENAULT	1193	0792357	51895367	PEUGEOT	1071
0792132	8200602619	RENAULT	1193	0792357	51895367	PEUGEOT	1071
0792158	1703300107	MERCEDES	765, 834	0792357	55703629	ALFA ROMEO	28
0792158	2023302607	MERCEDES	765, 834	0792357	55703629	CITROEN	295
0792158	2023304107	MERCEDES	765, 834	0792357	55703629	FIAT	368, 383
0792172	2023301907	MERCEDES	766, 779, 786, 834	0792357	55703629	PEUGEOT	1071
0792172	2023303007	MERCEDES	766, 779, 786, 834	0792378	2303302507	MERCEDES	831
0792172	2023303607	MERCEDES	766, 779, 786, 834	0792383	2103303907	MERCEDES	789
0792172	2023304807	MERCEDES	766, 779, 786, 834	0792393	9675031880	CITROEN	286
0792172	2083301307	MERCEDES	766, 779, 786, 834	0792393	9675031880	PEUGEOT	1105
0792172	2103302207	MERCEDES	766, 779, 786, 834	0792432	3520Q9	PEUGEOT	1100, 1103
0792172	2103302507	MERCEDES	766, 779, 786, 834	0792432	3520R7	CITROEN	259, 261
0792172	2103305007	MERCEDES	766, 779, 786, 834	0792432	3520R7	PEUGEOT	1100, 1103
0792172	2103308707	MERCEDES	766, 779, 786, 834	0792452	545011362R	DACIA	318
				0792452	6001547520	DACIA	318
				0792452	6001550446	DACIA	318
				0792452	6001550909	DACIA	318
				0792452	8200216376	DACIA	318
				0792452	8200820930	DACIA	318
				0792453	545011697R	DACIA	317
				0792453	545012815R	DACIA	317
				0792453	545016746R	DACIA	317
				0792453	545019969R	DACIA	317
				0792460	43069-87401	DAIHATSU	336
				0792460	48069-87405	DAIHATSU	336

RIF. OCAP OCAP REF.	RIF. ORIG. O.E. NUMBER	MARCA MAKE	PAG.	RIF. OCAP OCAP REF.	RIF. ORIG. O.E. NUMBER	MARCA MAKE	PAG.
0792474	54510-3E000	KIA	637	0792665	54501-EW000	NISSAN	938, 953, 995
0792474	54510-3E001	KIA	637	0792674	1643501306	MERCEDES	808, 813
0792474	54510-3E002	KIA	637	0792688	45202-M68K00	SUZUKI	1424
0792474	54510-3E003	KIA	637	0792688	54529-4A00D	NISSAN	969
0792476	51360-S9A-010	HONDA	521	0792727	8200763294	RENAULT	1272
0792484	54410-38000	HYUNDAI	568, 570	0792727	8200763301	RENAULT	1272
0792484	54410-38000	KIA	624	0792727	8200942392	RENAULT	1272
0792489	54501-3A100	HYUNDAI	574	0792730	LR002625	LAND ROVER	685
0792489	54501-3A201	HYUNDAI	574	0792730	LR007206	LAND ROVER	685
0792492	1466188	FORD	453, 470	0792742	2E0407151M	VOLKSWAGEN	1583
0792492	1507182	FORD	453, 470	0792742	9063304007	MERCEDES	842
0792492	31200448	VOLVO	1726	0792750	6157753	FORD	489, 491-492
0792492	31200564	VOLVO	1726	0792751	6608832	FORD	493
0792492	31200776	VOLVO	1726	0792760	45202-77A01	SUZUKI	1427
0792492	31212782	VOLVO	1726	0792760	45202-77A10	SUZUKI	1427
0792492	31277343	VOLVO	1726	0792766	51460-S30-003	HONDA	535
0792498	54500-1F000	HYUNDAI	575	0792768	54500-17000	HYUNDAI	561
0792498	54500-1F000	KIA	642	0792773	54500-1E100	HYUNDAI	541
0792498	54500-1F100	HYUNDAI	575	0792773	54500-1E100	KIA	633
0792498	54500-1F100	KIA	642	0792774	54500-1E000	HYUNDAI	541
0792498	54500-1F110	HYUNDAI	575	0792774	54500-1E000	KIA	633
0792498	54500-1F110	KIA	642	0792776	48069-33010	TOYOTA	1466
0792498	54500-2E000	HYUNDAI	575	0792776	48069-33020	TOYOTA	1466
0792498	54500-2E000	KIA	642	0792777	48069-33030	TOYOTA	1466
0792498	54500-2E001	HYUNDAI	575	0792781	48069-B1020	DAIHATSU	335
0792498	54500-2E001	KIA	642	0792781	48069-B1020	SUBARU	1417
0792531	GSJ415	ROVER GROUP	1285	0792788	51360-S50-G01	HONDA	531
0792532	GSJ417	ROVER GROUP	1285	0792789	51360-S2H-G02	HONDA	524
0792549	0K2FA-34-350	KIA	615	0792790	54500-2F000	KIA	621
0792556	LR014138	LAND ROVER	680	0792790	54500-2F001	KIA	621
0792556	LR025613	LAND ROVER	680	0792792	54500-07100	KIA	627
0792556	LR028249	LAND ROVER	680	0792792	54500-07150	KIA	627
0792556	RBJ500193	LAND ROVER	680	0792792	54500-07160	KIA	627
0792556	RBJ501250	LAND ROVER	680	0792792	54500-07161	KIA	627
0792556	RBJ501350	LAND ROVER	680	0792792	54500-07200	KIA	627
0792556	RBJ501550	LAND ROVER	680	0792792	54500-07250	KIA	627
0792557	RBJ500232	LAND ROVER	681	0792792	54500-07260	KIA	627
0792576	54501-0W000	NISSAN	957	0792792	54500-07261	KIA	627
0792576	54501-0W001	NISSAN	957	0792792	54500-07261	KIA	627
0792587	5352039	OPEL	1008, 1033	0792793	54500-07100	KIA	627
0792587	55703230	OPEL	1008, 1033	0792793	54500-07150	KIA	627
0792590	48069-05070	TOYOTA	1459	0792798	GD7A-34-350A	MAZDA	727, 747
0792617	31124048627	MINI	859	0792798	GE4T-31-350	MAZDA	727, 747
0792617	31126772301	MINI	859	0792798	GE4T-31-350C	MAZDA	727, 747
0792622	48069-35080	TOYOTA	1456, 1511	0792798	GE4T-31-350E	MAZDA	727, 747
0792622	48069-35081	TOYOTA	1456, 1511	0792798	GE4T-34-350C	MAZDA	727, 747
0792624	48630-35020	TOYOTA	1456, 1511	0792800	N068-34-250	MAZDA	739
0792632	45202-79J00	FIAT	390	0792801	N066-34-360	MAZDA	739
0792632	45202-79J00	SUZUKI	1438	0792807	51360-S7A-010	HONDA	537
0792632	71742732	FIAT	390	0792807	51360-S7C-010	HONDA	537
0792632	71742732	SUZUKI	1438	0792809	54500-4A000	HYUNDAI	547
0792640	B25D-34-350A	MAZDA	720	0792809	54500-4A600	HYUNDAI	547
0792640	B25D-34-350B	MAZDA	720	0792810	54400-4A000	HYUNDAI	547
0792640	B25D-34-350C	MAZDA	720	0792823	54501-4U002	NISSAN	926
0792640	B25D-34-350D	MAZDA	720	0792823	54501-4U012	NISSAN	926
0792655	54500-29000	HYUNDAI	560	0792846	54500-2D000	HYUNDAI	544
0792655	54500-29500	HYUNDAI	560	0792846	54500-2D002	HYUNDAI	544
0792658	54500-24000	HYUNDAI	563	0792847	0K2NA-34-350B	KIA	636
0792659	45202-57K00	SUZUKI	1436	0792883	1J0407151A *	SEAT	1341
0792659	45202-62J00	SUZUKI	1436	0792894	96213117	CHEVROLET - DAEWOO	226
0792659	45202-63J00	SUZUKI	1436	0792919	33321090905	BMW	189
0792659	45202-72K00	SUZUKI	1436	0792972	48610-29075	TOYOTA	1498
0792665	54501-1FU0B	NISSAN	938, 953, 995	0792994	48069-59055	TOYOTA	1536
0792665	54501-1JY0A	NISSAN	938, 953, 995	0793012	8-94243-233-0	ISUZU	584
0792665	54501-EL000	NISSAN	938, 953, 995	0793013	8-94223-222-2	ISUZU	584
				0793088	4010A037	MITSUBISHI	908, 910

RIF. OCAP OCAP REF.	RIF. ORIG. O.E. NUMBER	MARCA MAKE	PAG.	RIF. OCAP OCAP REF.	RIF. ORIG. O.E. NUMBER	MARCA MAKE	PAG.
0793088	MR-496793	MITSUBISHI	908, 910				1257
0793089	48069-20380	TOYOTA	1473	0793217	545016838R	RENAULT	1195, 1219,
0793089	48069-20381	TOYOTA	1473				1257
0793094	48069-02130	TOYOTA	1457, 1460, 1484, 1535	0793217	545018194R	RENAULT	1195, 1219, 1257
0793094	48069-05080	TOYOTA	1457, 1460, 1484	0793240	1K0407151AA	SKODA	1391
0793095	48069-42050	TOYOTA	1526	0793240	1K0407151AA	VOLKSWAGEN	1610, 1673, 1694
0793095	48069-42051	TOYOTA	1526	0793240	1K0407151AB	SKODA	1391
0793098	48069-44010	TOYOTA	1520	0793240	1K0407151AB	VOLKSWAGEN	1610, 1673, 1694
0793101	48069-26070	TOYOTA	1499	0793240	1K0407151AH	SKODA	1391
0793101	48069-26071	TOYOTA	1499	0793240	1K0407151AH	VOLKSWAGEN	1610, 1673, 1694
0793104	48069-29265	TOYOTA	1461	0793240	1K0407151BC	SKODA	1391
0793104	48069-49045	TOYOTA	1461	0793240	1K0407151BC	VOLKSWAGEN	1610, 1673, 1694
0793104	48069-49065	TOYOTA	1461	0793241	1K0407151AH *	SKODA	1391
0793113	48069-02070	TOYOTA	1483	0793241	1K0407151AH *	VOLKSWAGEN	1610, 1673, 1694
0793113	48069-12260	TOYOTA	1483	0793241	1K0407151BC *	SKODA	1391
0793121	LC62-34-350C	MAZDA	736	0793241	1K0407151BC *	VOLKSWAGEN	1610, 1673, 1694
0793124	54501-BB00A	NISSAN	981, 1006	0793251	1751955	FORD	442, 487
0793124	54501-BB00A	RENAULT	1202	0793251	1834055	FORD	442, 487
0793124	54501-BR30A	NISSAN	981, 1006	0793252	1521773	FORD	441
0793124	54501-BR30A	RENAULT	1202	0793252	1521773	MAZDA	711
0793124	54501-JD000	NISSAN	981, 1006	0793252	1532433	FORD	441
0793124	54501-JD000	RENAULT	1202	0793252	1532433	MAZDA	711
0793124	54501-JG000	NISSAN	981, 1006	0793252	1540725	FORD	441
0793124	54501-JG000	RENAULT	1202	0793252	1540725	MAZDA	711
0793124	54501-JY00A	NISSAN	981, 1006	0793252	1700810	FORD	441
0793124	54501-JY00A	RENAULT	1202	0793252	1700810	MAZDA	711
0793135	1420858	FORD	447	0793252	1708226	FORD	441
0793135	1420858	VOLVO	1717, 1722	0793252	1708226	MAZDA	711
0793135	1488111	FORD	447	0793252	1712697	FORD	441
0793135	1488111	VOLVO	1717, 1722	0793252	1712697	MAZDA	711
0793135	1570285	FORD	447	0793252	1737305	FORD	441
0793135	1570285	VOLVO	1717, 1722	0793252	1737305	MAZDA	711
0793135	31201181	VOLVO	1717, 1722	0793252	D651-32-350C	FORD	441
0793135	31262039	VOLVO	1717, 1722	0793252	D651-32-350C	MAZDA	711
0793135	31277463	VOLVO	1717, 1722	0793252	D651-32-350D	FORD	441
0793139	4708300	OPEL	1010	0793252	D651-32-350D	MAZDA	711
0793139	4708300	VAUXHALL	1539	0793252	D651-34-350	FORD	441
0793139	93193131	OPEL	1010	0793252	D651-34-350	MAZDA	711
0793142	45202-65J00	SUZUKI	1429	0793272	6R0407151	SEAT	1333
0793142	45202-78K00	SUZUKI	1429	0793272	6R0407151	SKODA	1362, 1364, 1386
0793145	8200197181	RENAULT	1187, 1200, 1263	0793272	6R0407151	VOLKSWAGEN	1667
0793145	8200942407	RENAULT	1187, 1200, 1263	0793272	6R0407151E	SEAT	1333
0793209	54501-00QAH	NISSAN	941, 970	0793272	6R0407151E	SKODA	1362, 1364, 1386
0793209	54501-00QAH	RENAULT	1186, 1200, 1263	0793272	6R0407151E	VOLKSWAGEN	1667
0793209	7700313944	NISSAN	941, 970	0793281	51520-TA0-A03	HONDA	509
0793209	7700313944	RENAULT	1186, 1200, 1263	0793281	51520TA0A03	HONDA	509
0793209	7700420032	NISSAN	941, 970	0793285	52400-SH3-030	HONDA	515
0793209	7700420032	RENAULT	1186, 1200, 1263	0793285	52400SH3030	HONDA	515
0793209	7700425227	NISSAN	941, 970	0793285	52400-SR3-000	HONDA	515
0793209	7700425227	RENAULT	1186, 1200, 1263	0793285	52400SR3000	HONDA	515
0793209	8200197179	NISSAN	941, 970	0793287	51360-SNA-A03	HONDA	518
0793209	8200197179	RENAULT	1186, 1200, 1263	0793295	51360-TF0-030	HONDA	527
0793214	4153300300	MERCEDES	839	0793295	51360-TG0-T02	HONDA	527
0793214	4153300300	RENAULT	1201	0793295	51360-TG5-C01	HONDA	527
0793214	8200586561	MERCEDES	839	0793295	51360-TH9-000	HONDA	527
0793214	8200586561	RENAULT	1201	0793297	MB109630A	HYUNDAI	545
0793217	545014055R	RENAULT	1195, 1219,	0793298	HB212003	HYUNDAI	545

RIF. OCAP OCAP REF.	RIF. ORIG. O.E. NUMBER	MARCA MAKE	PAG.	RIF. OCAP OCAP REF.	RIF. ORIG. O.E. NUMBER	MARCA MAKE	PAG.
0793299	48069-09015	TOYOTA	1534, 1537	0793357	54500-33000	HYUNDAI	566
0793299	48069-09030	TOYOTA	1534, 1537	0793374	54502-28070	HYUNDAI	559
0793299	48069-09040	TOYOTA	1534, 1537	0793376	8-94445-551-0	ISUZU	578
0793299	48069-09140	TOYOTA	1534, 1537	0793377	8-94246-420-0	ISUZU	581
0793299	48069-59135	TOYOTA	1534, 1537	0793377	8-94459-461-2	ISUZU	581
0793324	48069-87704	DAIHATSU	321	0793386	B001-34-360C	MAZDA	716
0793326	48069-87205	DAIHATSU	326	0793391	B092-34-360A	MAZDA	717
0793327	48069-87507	DAIHATSU	332	0793399	B01A-34-350E	MAZDA	719
0793329	51360-634-000	HONDA	510	0793400	B455-34-350	MAZDA	718
0793331	52360-659-315	HONDA	510	0793400	B455-34-350E	MAZDA	718
0793333	51361-SB2-013	HONDA	511, 525, 536	0793404	G030-34-350F	MAZDA	724
0793333	51361-SB2-013	ROVER GROUP	1287	0793405	GF22-34-350A	MAZDA	725
0793333	51361-SB2-672	HONDA	511, 525, 536	0793405	GJ22-34-350A	MAZDA	725
0793333	51361-SB2-672	ROVER GROUP	1287	0793406	B092-28-550B	MAZDA	717-718
0793333	51361-SB6-931	HONDA	511, 525, 536	0793409	GA2A-34-350	MAZDA	726
0793333	51361-SB6-931	ROVER GROUP	1287	0793409	GA6BE-34-350	MAZDA	726
0793333	51361-SD2-003	HONDA	511, 525, 536	0793492	MB-831035	MITSUBISHI	906
0793333	51361-SD2-003	ROVER GROUP	1287	0793492	MR-124879	MITSUBISHI	906
0793333	GSJ228	HONDA	511, 525, 536	0793492	MR-296093	MITSUBISHI	906
0793333	GSJ228	ROVER GROUP	1287	0793492	MR-296095	MITSUBISHI	906
0793334	51460-SH3-000	HONDA	512	0793493	MB-860381	MITSUBISHI	907
0793334	51460-SH3-010	HONDA	512	0793494	LMB-002584	MITSUBISHI	890
0793334	51460-SH3-023	HONDA	512	0793495	54410-43004	HYUNDAI	549
0793334	51460-SH3-030	HONDA	512	0793495	54410-43005	HYUNDAI	549
0793335	51365-SH3-010	HONDA	512	0793496	HMB-303402	MITSUBISHI	900
0793335	51365-SH3-020	HONDA	512	0793499	54510-43150	HYUNDAI	549
0793336	51360-634-003	HONDA	502	0793499	54510-43151	HYUNDAI	549
0793336	51360-671-003	HONDA	502	0793499	54510-43152	HYUNDAI	549
0793336	51360-671-033	HONDA	502	0793499	MB-430112	HYUNDAI	549
0793337	51360-SA5-013	HONDA	502	0793499	MB-430112	MITSUBISHI	899
0793338	51360-SA5-010	HONDA	502	0793499	MB-527383	HYUNDAI	549
0793338	51360-SA5-020	HONDA	502	0793499	MB-527383	MITSUBISHI	899
0793339	51469-SE0-000	HONDA	503	0793499	MB-598017	HYUNDAI	549
0793339	51469-SE0-003	HONDA	503	0793499	MB-598017	MITSUBISHI	899
0793340	51365-SE0-010	HONDA	503	0793500	MB-349446	MITSUBISHI	873
0793342	51460-SM4-013	HONDA	504	0793501	MB-518806	MITSUBISHI	874
0793342	51460-SM4-013	ROVER GROUP	1292	0793504	MB-907115	MITSUBISHI	875
0793342	51460-SM4-023	HONDA	504	0793504	MB-912077	MITSUBISHI	875
0793342	51460-SM4-023	ROVER GROUP	1292	0793505	MB-910842	MITSUBISHI	875
0793342	51460-SM4-A02	HONDA	504	0793506	30818096	MITSUBISHI	870, 875-876
0793342	51460-SM4-A02	ROVER GROUP	1292	0793506	MB-809220	MITSUBISHI	870, 875-876
0793342	51460-SM4-A03	HONDA	504	0793507	54510-4B001	HYUNDAI	549
0793342	51460-SM4-A03	ROVER GROUP	1292	0793549	54501-50J10	NISSAN	973
0793342	GSJ423	HONDA	504	0793549	54501-86J00	NISSAN	973
0793342	GSJ423	ROVER GROUP	1292	0793549	54501-90J00	NISSAN	973
0793344	51460-SR0-A02	HONDA	513	0793583	54101-H1000	NISSAN	989
0793344	51460-SR3-003	HONDA	513	0793583	54101-H8500	NISSAN	989
0793344	51460-SR3-013	HONDA	513	0793584	54530-01A00	NISSAN	990
0793344	51460-SR3-023	HONDA	513	0793584	54530-04A00	NISSAN	990
0793344	51460-ST3-E02	HONDA	513	0793585	54501-50A00	NISSAN	991
0793344	RB102130	HONDA	513	0793586	54501-52Y10	NISSAN	992, 997
0793348	52400-SM1-A03	HONDA	504-505	0793586	54501-52Y15	NISSAN	992, 997
0793348	52400-SM1-A03	ROVER GROUP	1292	0793586	54501-52Y60	NISSAN	992, 997
0793348	52400-SM4-003	HONDA	504-505	0793586	54501-52Y70	NISSAN	992, 997
0793348	52400-SM4-003	ROVER GROUP	1292	0793587	54501-0M010	NISSAN	924
0793348	52400-SM4-033	HONDA	504-505	0793587	54501-0M020	NISSAN	924
0793348	52400-SM4-033	ROVER GROUP	1292	0793587	54501-0M060	NISSAN	924
0793348	52400-SM4-A04	HONDA	504-505	0793587	54501-0N615	NISSAN	924
0793348	52400-SM4-A04	ROVER GROUP	1292	0793587	54501-4N000	NISSAN	924
0793348	52400-SM5-A03	HONDA	504-505	0793587	54501-F4300	NISSAN	924
0793348	52400-SM5-A03	ROVER GROUP	1292	0793604	7210-60530	SUBARU	1414
0793348	RGG102430	HONDA	504-505	0793604	7210-60570	SUBARU	1414
0793348	RGG102430	ROVER GROUP	1292	0793605	20202-AG190	SUBARU	1419
0793351	51460-SV4-000	HONDA	505	0793605	20202-AG191	SUBARU	1419
0793351	51460-SV4-A00	HONDA	505	0793661	48069-19045	TOYOTA	1475

RIF. OCAP OCAP REF.	RIF. ORIG. O.E. NUMBER	MARCA MAKE	PAG.	RIF. OCAP OCAP REF.	RIF. ORIG. O.E. NUMBER	MARCA MAKE	PAG.
0793662	48069-19065	TOYOTA	1476	0793869	4164522	FORD	495
0793662	48069-19125	TOYOTA	1476	0793869	4372131	FORD	495
0793663	48069-20150	TOYOTA	1478	0793869	4540775	FORD	495
0793663	48069-20151	TOYOTA	1478	0793870	1810331	FORD	499
0793667	48069-12110	TOYOTA	1480	0793870	1828700	FORD	499
0793672	48069-12130	TOYOTA	1481	0793870	1903527	FORD	499
0793799	48606-35030	TOYOTA	1503	0793877	8200026654	RENAULT	1204
0793808	4408958	NISSAN	972	0793877	8200273728	RENAULT	1204
0793808	4408958	OPEL	1065	0793877	8200389134	RENAULT	1204
0793808	4408958	RENAULT	1267	0793877	8200602612	RENAULT	1204
0793808	4408958	VAUXHALL	1570	0793892	4302208	OPEL	1034
0793808	54503-00QAA	NISSAN	972	0793893	301019	OPEL	1035
0793808	54503-00QAA	OPEL	1065	0793893	301019	VAUXHALL	1559
0793808	54503-00QAA	RENAULT	1267	0793893	97125005	OPEL	1035
0793808	54503-00QAA	VAUXHALL	1570	0793893	97125005	VAUXHALL	1559
0793808	8200054003	NISSAN	972	0793959	54500-0X000	HYUNDAI	550
0793808	8200054003	OPEL	1065	0793959	54500-0X200	HYUNDAI	550
0793808	8200054003	RENAULT	1267	0794022	115420023	SKODA	1398
0793808	8200054003	VAUXHALL	1570	0794022	115420025	SKODA	1398
0793808	8200247898	NISSAN	972	0794024	115420020	SKODA	1397
0793808	8200247898	OPEL	1065	0794036	4656731-AH	CHRYSLER	236
0793808	8200247898	RENAULT	1267	0794036	4656731AH	CHRYSLER	236
0793808	8200247898	VAUXHALL	1570	0794071	54500-2H000	HYUNDAI	554
0793808	91166462	NISSAN	972	0794071	54500-2H000	KIA	619
0793808	91166462	OPEL	1065	0794077	54500-1J500	HYUNDAI	552
0793808	91166462	RENAULT	1267	0794077	54500-1J700	HYUNDAI	552
0793808	91166462	VAUXHALL	1570	0794083	54500-2B000	HYUNDAI	565
0793814	51727865	FIAT	355	0794083	54500-2B000	KIA	639
0793814	51769076	FIAT	355	0794083	54500-2B100	HYUNDAI	565
0793814	98810140	FIAT	355	0794083	54500-2B100	KIA	639
0793821	1146131	FORD	440	0794083	54500-2B500	HYUNDAI	565
0793821	1146131	MAZDA	710	0794083	54500-2B500	KIA	639
0793821	1207448	FORD	440	0794083	54500-2P000	HYUNDAI	565
0793821	1207448	MAZDA	710	0794083	54500-2P000	KIA	639
0793821	1208512	FORD	440	0794087	54500-38000	HYUNDAI	568
0793821	1208512	MAZDA	710	0794087	54500-38010	HYUNDAI	568
0793821	1211757	FORD	440	0794088	54500-38011	HYUNDAI	570
0793821	1211757	MAZDA	710	0794088	54500-38011	KIA	624
0793821	1212808	FORD	440	0794091	54410-3F600	HYUNDAI	571
0793821	1212808	MAZDA	710	0794091	54410-3F601	HYUNDAI	571
0793821	1214912	FORD	440	0794091	54410-3K000	HYUNDAI	571
0793821	1214912	MAZDA	710	0794092	54410-3F600	HYUNDAI	571
0793821	DD32-34-350	FORD	440	0794093	54500-3K000	HYUNDAI	572
0793821	DD32-34-350	MAZDA	710	0794097	55110-38000	HYUNDAI	569
0793828	3665721	FORD	474	0794097	55110-38600	HYUNDAI	569
0793828	UH7434260A	FORD	474	0794097	55110-38601	HYUNDAI	569
0793828	UH7534260	FORD	474	0794107	54500-2G000	KIA	626
0793828	UH7534260A	FORD	474	0794107	54500-2G001	KIA	626
0793828	UH7534260B	FORD	474	0794107	54500-2G100	KIA	626
0793829	3665713	FORD	475	0794107	54500-2G101	KIA	626
0793830	1032102	FORD	457	0794109	54500-1D000	KIA	616
0793830	1046458	FORD	457	0794115	MB-527159	MITSUBISHI	892
0793830	1063988	FORD	457	0794116	MB-109512	MITSUBISHI	892
0793867	1371228	FORD	496	0794118	MR-241023	MITSUBISHI	893
0793867	1438254	FORD	496	0794119	MR-241025	MITSUBISHI	893
0793867	1495684	FORD	496	0794119	MR-296027	MITSUBISHI	893
0793867	1553250	FORD	496	0794126	4010A013	MITSUBISHI	896
0793867	6C113A053BB	FORD	496	0794128	4013A087	MITSUBISHI	896
0793868	1763702	FORD	498	0794130	MR-403419	MITSUBISHI	887
0793868	1764290	FORD	498	0794141	4013A209	MITSUBISHI	910
0793868	1791958	FORD	498	0794149	48069-0K040	TOYOTA	1505
0793868	1831355	FORD	498	0794168	6U0407151A	SKODA	1368
0793868	1877334	FORD	498	0794172	8200255760	RENAULT	1217
0793869	4042023	FORD	495	0794173	545052737R	RENAULT	1181, 1217,
0793869	4140394	FORD	495				1256

RIF. OCAP OCAP REF.	RIF. ORIG. O.E. NUMBER	MARCA MAKE	PAG.		RIF. OCAP OCAP REF.	RIF. ORIG. O.E. NUMBER	MARCA MAKE	PAG.	
0794173	545055208R	RENAULT	1181,	1217,	0794283	1K0407151BL	SKODA	1392	
			1256		0794283	1K0407151BL	VOLKSWAGEN	1607	
0794173	545055708R	RENAULT	1181,	1217,	0794287	1569210	FORD	448	
			1256		0794287	1576927	FORD	448	
0794173	54505-9335R	RENAULT	1256		0794288	1328381	FORD	446	
0794173	545059335R	RENAULT	1256		0794288	1328381	VOLVO	1716, 1721	
0794173	8200298454	RENAULT	1181,	1217,	0794288	1332075	FORD	446	
			1256		0794288	1332075	VOLVO	1716, 1721	
0794173	8200457208	RENAULT	1181,	1217,	0794288	30714422	FORD	446	
			1256		0794288	30714422	VOLVO	1716, 1721	
0794173	8200679063	RENAULT	1181,	1217,	0794288	30730829	FORD	446	
			1256		0794288	30730829	VOLVO	1716, 1721	
0794219	96268439	CHEVROLET - DAEWOO 229			0794288	30730831	FORD	446	
0794219	96305974	CHEVROLET - DAEWOO 229			0794288	30730831	VOLVO	1716, 1721	
0794220	96268454	CHEVROLET - DAEWOO 229			0794288	30748231	FORD	446	
0794233	51460-S04-003	HONDA	514		0794288	30748231	VOLVO	1716, 1721	
0794233	51460-S04-023	HONDA	514		0794288	31212979	FORD	446	
0794234	51360-S04-G00	HONDA	514		0794288	31212979	VOLVO	1716, 1721	
0794238	33326782237	BMW	132, 153, 198		0794288	31277464	FORD	446	
0794242	51460-S1A-E01	HONDA	506		0794288	31277464	VOLVO	1716, 1721	
0794242	51460-S584-A01	HONDA	506		0794291	51360-S5A-020	HONDA	516	
0794248	96391850	CHEVROLET - DAEWOO 230			0794291	51360-S5A-A02	HONDA	516	
0794248	96415063	CHEVROLET - DAEWOO 230			0794291	51360-S5A-A03	HONDA	516	
0794255	96378347	CHEVROLET - DAEWOO 233			0794291	51360-S5A-A10	HONDA	516	
0794259	96535081	CHEVROLET - DAEWOO 218, 224			0794291	51360-S5A-E50	HONDA	516	
0794259	96815893	CHEVROLET - DAEWOO 218			0794298	54501-AX600	NISSAN	949	
0794259	96870465	CHEVROLET - DAEWOO 218			0794298	54501-AX60B	NISSAN	949	
0794260	6393300410	MERCEDES	847		0794298	54501-BC41A	NISSAN	949	
0794267	4143300307	MERCEDES	844		0794298	54501-BC42A	NISSAN	949	
0794267	4143300507	MERCEDES	844		0794316	51460-S10-020	HONDA	520	
0794273	2113300138	MERCEDES	791		0794317	51360-S10-A00	HONDA	520	
0794273	2113304307	MERCEDES	791		0794317	51360-S10-G00	HONDA	520	
0794273	2113306707	MERCEDES	791		0794338	48069-28120	TOYOTA	1467, 1522	
0794273	2113308907	MERCEDES	791		0794338	48069-33050	TOYOTA	1467, 1522	
0794279	5N0407151 **	VOLKSWAGEN	1681		0794338	48069-33060	TOYOTA	1467, 1522	
0794281	1K0407151AB *	AUDI	42		0794340	1332455	FORD	485	
0794281	1K0407151AB *	SEAT	1343		0794340	1355050	FORD	485	
0794281	1K0407151AB *	SKODA	1376		0794345	1781660	FORD	461	
0794281	1K0407151AB *	VOLKSWAGEN	1606,	1616,	0794345	1793237	FORD	461	
			1690		0794355	5352027	OPEL	1044	
0794282	1K0407151AA	AUDI	42		0794355	5352027	VAUXHALL	1560	
0794282	1K0407151AA	SEAT	1343		0794355	93388568	OPEL	1044	
0794282	1K0407151AA	SKODA	1376		0794355	93388568	VAUXHALL	1560	
0794282	1K0407151AA	VOLKSWAGEN	1605,	1616,	0794359	24454477	OPEL	1021, 1046,	
			1690					1069	
0794282	1K0407151AB	AUDI	42		0794359	24454477	VAUXHALL	1545	
0794282	1K0407151AB	SEAT	1343		0794359	5352029	OPEL	1021, 1046,	
0794282	1K0407151AB	SKODA	1376					1069	
0794282	1K0407151AB	VOLKSWAGEN	1605,	1616,	0794359	5352029	VAUXHALL	1545	
			1690		0794365	51460-SDA-A01	HONDA	507	
0794282	1K0407151P	AUDI	42		0794370	51306-SAA-E01	HONDA	526	
0794282	1K0407151P	SEAT	1343		0794370	51360-SAA-E01	HONDA	526	
0794282	1K0407151P	SKODA	1376		0794384	54501-2F500	NISSAN	976	
0794282	1K0407151P	VOLKSWAGEN	1605,	1616,	0794385	54501-AV600	NISSAN	977	
			1690		0794385	54501-AV605	NISSAN	977	
0794282	1K0407151Q	AUDI	42		0794385	54501-AV606	NISSAN	977	
0794282	1K0407151Q	SEAT	1343		0794398	54501-4M400	NISSAN	925	
0794282	1K0407151Q	SKODA	1376		0794398	54501-4M410	NISSAN	925	
0794282	1K0407151Q	VOLKSWAGEN	1605,	1616,	0794398	54501-BM410	NISSAN	925	
			1690		0794398	54501-BN300	NISSAN	925	
0794283	1K0407151BB	SKODA	1392		0794406	8200346941	RENAULT	1188	
0794283	1K0407151BB	VOLKSWAGEN	1607		0794406	8200615057	RENAULT	1188	
0794283	1K0407151BE	SKODA	1392		0794407	48069-20260	TOYOTA	1471	
0794283	1K0407151BE	VOLKSWAGEN	1607		0794409	48069-42040	TOYOTA	1525	
0794283	1K0407151BG	SKODA	1392		0794409	48069-42041	TOYOTA	1525	
0794283	1K0407151BG	VOLKSWAGEN	1607						

RIF. OCAP OCAP REF.	RIF. ORIG. O.E. NUMBER	MARCA MAKE	PAG.	RIF. OCAP OCAP REF.	RIF. ORIG. O.E. NUMBER	MARCA MAKE	PAG.
0794411	48069-42012	TOYOTA	1524	0794625	54501-2S685	NISSAN	968
0794411	48069-42022	TOYOTA	1524	0794625	54501-2S686	NISSAN	968
0794414	48069-02010	TOYOTA	1482	0794625	54501-VK300	NISSAN	968
0794414	48069-12160	TOYOTA	1482	0794625	54501-VK325	NISSAN	968
0794414	48069-12170	TOYOTA	1482	0794625	54501-VK385	NISSAN	968
0794414	48069-12171	TOYOTA	1482	0794626	54525-2S400	NISSAN	968
0794414	48069-12180	TOYOTA	1482	0794626	54525-2S485	NISSAN	968
0794414	48069-12181	TOYOTA	1482	0794626	54525-2S486	NISSAN	968
0794414	48069-12190	TOYOTA	1482	0794640	54501-7C350	NISSAN	985
0794414	48069-12191	TOYOTA	1482	0795159	54500-34000	HYUNDAI	567
0794418	48069-05050	TOYOTA	1458	0795159	54500-34010	HYUNDAI	567
0794428	B32H-34-350	MAZDA	712	0795174	4450108005	SSANGYONG	1408
0794428	B32H-34-350D	MAZDA	712	0795177	200200AC210F	SUBARU	1410, 1418
0794428	BP4K-34-350E	MAZDA	712	0795177	20200-AA210	SUBARU	1410, 1418
0794429	BBM2-34-350	MAZDA	712	0795177	20200FC130	SUBARU	1410, 1418
0794429	BBM2-34-350A	MAZDA	712	0795182	4835708	SAAB	1301
0794431	GJ6A-34-250B	MAZDA	721	0795183	5236674	SAAB	1302
0794449	1693300507	MERCEDES	758	0795189	48069-0F010	TOYOTA	1485
0794449	1693300707	MERCEDES	758	0795195	54500-4H000	HYUNDAI	548
0794449	1693300907	MERCEDES	758	0795200	48630-0K040	TOYOTA	1505, 1507
0794457	54500-02000	HYUNDAI	542	0795335	51795841	FIAT	368
0794457	54500-02050	HYUNDAI	542	0795335	59116608	FIAT	368
0794457	54500-02051	HYUNDAI	542	0795336	545010008R	RENAULT	1206
0794457	54500-02052	HYUNDAI	542	0795336	545010009R	RENAULT	1206
0794465	54501-26000	HYUNDAI	564	0795336	545010012R	RENAULT	1206
0794467	54500-22000	HYUNDAI	539	0795337	4806300	CHEVROLET - DAEWOO	220
0794467	54500-22100	HYUNDAI	539	0795337	4806300	OPEL	1011
0794467	54500-22200	HYUNDAI	539	0795337	4810831	CHEVROLET - DAEWOO	220
0794468	54500-1C000	HYUNDAI	546	0795337	4810831	OPEL	1011
0794479	30887653	VOLVO	1720	0795337	96626235	CHEVROLET - DAEWOO	220
0794492	54501-41U00	NISSAN	946	0795337	96626235	OPEL	1011
0794493	54503-01G90	NISSAN	964	0795337	96819161	CHEVROLET - DAEWOO	220
0794515	54500-25000	HYUNDAI	540	0795337	96819161	OPEL	1011
0794515	54500-25001	HYUNDAI	540	0795338	50521046	ALFA ROMEO	25
0794536	51460-SP0-033	HONDA	529	0795341	6R0407151A	AUDI	32
0794541	51460-SZ3-013	HONDA	530	0795341	6R0407151A	SEAT	1336
0794542	51460-SZ3-901	HONDA	530	0795341	6R0407151F	AUDI	32
0794558	48630-60010	TOYOTA	1512	0795341	6R0407151F	SEAT	1336
0794559	48640-60010	TOYOTA	1512	0795341	6R0407151F	SKODA	1366, 1383
0794560	48630-60020	TOYOTA	1513	0795341	6R0407151F	VOLKSWAGEN	1669
0794561	48069-60010	TOYOTA	1513	0795342	6R0407151 *	SEAT	1333
0794567	54500-4D001	KIA	618	0795342	6R0407151 *	SKODA	1363, 1365, 1387
0794570	51772992	FIAT	354	0795342	6R0407151 *	VOLKSWAGEN	1668
0794570	51772993	FIAT	354	0795342	6R0407151E *	SEAT	1333
0794571	OK9A2-34-350	KIA	622	0795342	6R0407151E *	SKODA	1363, 1365, 1387
0794572	OK9A6-34-350	KIA	622	0795342	6R0407151E *	VOLKSWAGEN	1668
0794576	OSE46-34-200	KIA	614, 623	0795493	96639895	CHEVROLET - DAEWOO	222
0794576	OSE46-34-200A	KIA	623	0795493	96970076	CHEVROLET - DAEWOO	222
0794576	SE46-34-200	KIA	614	0795494	54500-1W000	KIA	634
0794594	C100-34-350A	MAZDA	743	0795495	51810665	FIAT	356
0794594	C100-34-350B	MAZDA	743	0795495	51885737	FIAT	356, 416
0794598	MR-496795	MITSUBISHI	908	0795495	51932035	FIAT	356, 416
0794600	3520W7	CITROEN	258, 260, 267	0795495	52008282	FIAT	356, 416
0794600	3520W7	PEUGEOT	1104	0795495	52026316	FIAT	356
0794600	3520W8	CITROEN	258, 260, 267	0795566	54525-EA000	NISSAN	958
0794600	3520W8	PEUGEOT	1104	0795566	54525-EB70A	NISSAN	958
0794600	3520X1	CITROEN	258, 260, 267	0795566	54525-EB70D	NISSAN	958
0794600	3520X1	PEUGEOT	1104	0795566	54525-EB300	NISSAN	958
0794600	3520Y1	CITROEN	258, 260, 267	0795568	54525-EB30A	NISSAN	958
0794600	3520Y1	PEUGEOT	1104	0795568	54525-EB30A	NISSAN	958
0794600	9803286580	CITROEN	258, 260, 267	0795569	54501-EB300	NISSAN	959
0794600	9803286580	PEUGEOT	1104	0795569	54501-EB31A	NISSAN	959
0794615	54501-2U711	NISSAN	948	0795574	1S0407151	SEAT	1352
0794615	54501-6F600	NISSAN	948	0795574	1S0407151	SKODA	1358
0794625	54501-2S601	NISSAN	968				

RIF. OCAP OCAP REF.	RIF. ORIG. O.E. NUMBER	MARCA MAKE	PAG.	RIF. OCAP OCAP REF.	RIF. ORIG. O.E. NUMBER	MARCA MAKE	PAG.
0795574	1S0407151	VOLKSWAGEN	1707	0795753	51939755	FIAT	417
0795575	1S0407151 *	SEAT	1352	0795753	51939755	JEEP	610
0795575	1S0407151 *	SKODA	1359	0795754	52011614	FIAT	397
0795575	1S0407151 *	VOLKSWAGEN	1707	0795755	45202-71L00	SUZUKI	1437
0795580	9670772080	CITROEN	259	0795758	3Q0407151E	SEAT	1318
0795580	9670772080	PEUGEOT	1102	0795758	3Q0407151E	SKODA	1369, 1371, 1394
0795583	54505-0510R	RENAULT	1189	0795758	3Q0407151E	VOLKSWAGEN	1652, 1683, 1696
0795583	54505-5711R	RENAULT	1189	0795758	3Q0407151F	SEAT	1318
0795583	545055711R	RENAULT	1189	0795758	3Q0407151F	SKODA	1369, 1371, 1394
0795589	45202-59J00	SUZUKI	1432	0795758	3Q0407151F	VOLKSWAGEN	1652, 1683, 1696
0795593	95032440	CHEVROLET - DAEWOO 232		0795758	3Q0407151J	SEAT	1318
0795593	95319215	CHEVROLET - DAEWOO 232		0795758	3Q0407151J	SKODA	1369, 1371, 1394
0795593	95952782	CHEVROLET - DAEWOO 232		0795758	3Q0407151J	VOLKSWAGEN	1652, 1683, 1696
0795594	95017035	CHEVROLET - DAEWOO 219		0795758	3Q0407151J	SEAT	1318
0795597	8E0505323M	AUDI	54	0795758	3Q0407151J	SKODA	1369, 1371, 1394
0795597	8E0505323M	SEAT	1322	0795758	3Q0407151J	VOLKSWAGEN	1652, 1683, 1696
0795598	54501-1HA0C	NISSAN	950	0795759	3Q0407151E *	SEAT	1318
0795691	RBJ500456	LAND ROVER	693	0795759	3Q0407151E *	SKODA	1369, 1371, 1394
0795691	RBJ501290	LAND ROVER	693	0795759	3Q0407151E *	VOLKSWAGEN	1652, 1683, 1696
0795691	RBJ501610	LAND ROVER	693	0795759	3Q0407151F *	SEAT	1318
0795728	54500-1Y000	KIA	628	0795759	3Q0407151F *	SKODA	1369, 1371, 1394
0795728	54500-1Y100	KIA	628	0795759	3Q0407151F *	VOLKSWAGEN	1652, 1683, 1696
0795738	54500-A6200	HYUNDAI	555	0795759	3Q0407151F *	SEAT	1318
0795738	54500-A6200	KIA	620	0795759	3Q0407151F *	SKODA	1369, 1371, 1394
0795740	545010010R	RENAULT	1207	0795759	3Q0407151F *	VOLKSWAGEN	1652, 1683, 1696
0795740	545011952R	RENAULT	1207	0795760	48069-B4010	DAIHATSU	337
0795744	4766911AE	CHRYSLER	239	0795760	48069-B4011	DAIHATSU	337
0795744	4766911AF	CHRYSLER	239	0795767	561407151A	VOLKSWAGEN	1573
0795744	4766911AG	CHRYSLER	239	0795767	561407151C	VOLKSWAGEN	1573
0795744	4766911AH	CHRYSLER	239	0795768	561407151A *	VOLKSWAGEN	1573
0795744	4766911AI	CHRYSLER	239	0795768	561407151C *	VOLKSWAGEN	1573
0795744	4766911AL	CHRYSLER	239	0795769	9678311380 **	PEUGEOT	1124
0795745	352524	CHEVROLET - DAEWOO 235		0795769	9807914280 **	PEUGEOT	1124
0795745	352524	OPEL	1047-1048	0795770	4533302900	RENAULT	1273
0795745	352551	CHEVROLET - DAEWOO 235		0795770	4533302900	SMART	1401, 1403
0795745	352551	OPEL	1047-1048	0795770	4533303100	RENAULT	1273
0795745	94540668	CHEVROLET - DAEWOO 235		0795770	4533303100	SMART	1401, 1403
0795745	94540668	OPEL	1047-1048	0795770	545051097R	RENAULT	1273
0795745	95025706	CHEVROLET - DAEWOO 235		0795770	545051097R	SMART	1401, 1403
0795745	95025706	OPEL	1047-1048	0795770	545057345R	RENAULT	1273
0795746	2H0407021B	VOLKSWAGEN	1571	0795770	545057345R	SMART	1401, 1403
0795747	2H0407151A	VOLKSWAGEN	1572	0795774	51360-T1G-E01	HONDA	523
0795748	5Q0407151G	AUDI	46	0795783	54501-4EA0B	NISSAN	983
0795748	5Q0407151G	SEAT	1347	0795783	54501-4EA0B	RENAULT	1196
0795748	5Q0407151G	SKODA	1380	0795785	1663500106	MERCEDES	810
0795748	5Q0407151G	VOLKSWAGEN	1613	0795791	55111-JD00A	NISSAN	982, 984, 1007
0795748	5Q0407151J	AUDI	46	0795791	55111-JD00A	RENAULT	1197
0795748	5Q0407151J	SEAT	1347	0795791	55111-JG00B	NISSAN	982, 984, 1007
0795748	5Q0407151J	SKODA	1380	0795791	55111-JG00B	RENAULT	1197
0795748	5Q0407151J	VOLKSWAGEN	1613	0795792	6393301207	MERCEDES	848
0795749	5Q0407151J *	AUDI	46	0795792	6393301401	MERCEDES	848
0795749	5Q0407151J *	SEAT	1347	0795793	1K0407151BB *	SKODA	1392
0795749	5Q0407151J *	SKODA	1380	0795793	1K0407151BB *	VOLKSWAGEN	1607
0795749	5Q0407151J *	VOLKSWAGEN	1613	0795793	1K0407151BE *	SKODA	1392
0795750	3C0407365B *	AUDI	47	0795793	1K0407151BE *	VOLKSWAGEN	1607
0795750	3C0407365B *	SEAT	1348	0795793	1K0407151BG *	SKODA	1392
0795750	3C0407365B *	SKODA	1381	0795793	1K0407151BG *	VOLKSWAGEN	1607
0795750	3C0407365B *	VOLKSWAGEN	1614	0795794	48069-42060	TOYOTA	1527
0795751	5Q0505223D	AUDI	48	0795795	48069-42060 *	TOYOTA	1527
0795751	5Q0505223D	SEAT	1319, 1349	0795799	39021472	OPEL	1024
0795751	5Q0505223D	SKODA	1370, 1382	0796489	6R0407151F *	AUDI	32
0795751	5Q0505223D	VOLKSWAGEN	1615, 1653, 1697	0796489	6R0407151F *	SEAT	1336
0795752	51961341	FIAT	417				
0795752	51961341	JEEP	610				

RIF. OCAP OCAP REF.	RIF. ORIG. O.E. NUMBER	MARCA MAKE	PAG.	RIF. OCAP OCAP REF.	RIF. ORIG. O.E. NUMBER	MARCA MAKE	PAG.	
0796489	6R0407151F *	SKODA	1366, 1384	0798077	1612448380	PEUGEOT	1153-1154	
0796489	6R0407151F *	VOLKSWAGEN	1670	0798077	3520V0	CITROEN	265, 285	
0796491	4133883	FORD	463	0798077	3520V0	MITSUBISHI	866, 888, 902-903	
0796491	4133883	MAZDA	746	0798077	3520V0	PEUGEOT	1153-1154	
0796491	4484853	FORD	463	0798077	3520X9	CITROEN	265, 285	
0796491	4484853	MAZDA	746	0798077	3520X9	MITSUBISHI	866, 888, 902-903	
0796491	4631878	FORD	463	0798077	3520X9	PEUGEOT	1153-1154	
0796491	4631878	MAZDA	746	0798077	4013A009	CITROEN	265, 285	
0796491	4763905	FORD	463	0798077	4013A009	MITSUBISHI	866, 888, 902-903	
0796491	4763905	MAZDA	746	0798077	4013A009	PEUGEOT	1153-1154	
0796491	EC01-34-350F	FORD	463	0798077	4013A217	CITROEN	265, 285	
0796491	EC01-34-350F	MAZDA	746	0798077	4013A217	MITSUBISHI	866, 888, 902-903	
0796491	EC01-34-350G	FORD	463	0798077	4013A217	PEUGEOT	1153-1154	
0796491	EC01-34-350G	MAZDA	746	0798077	4013A217	CITROEN	265, 285	
0796491	EC01-34-350H	FORD	463	0798077	4013A217	MITSUBISHI	866, 888, 902-903	
0796491	EC01-34-350H	MAZDA	746	0798077	4013A217	PEUGEOT	1153-1154	
0796491	EC01-34-350J	FORD	463	0798077	4013A279	CITROEN	265, 285	
0796491	EC01-34-350J	MAZDA	746	0798077	4013A279	MITSUBISHI	866, 888, 902-903	
0796491	EC01-34-350K	FORD	463	0798077	4013A279	PEUGEOT	1153-1154	
0796491	EC01-34-350K	MAZDA	746	0798077	4013A281	CITROEN	265, 285	
0796491	EC01-34-350L	FORD	463	0798077	4013A281	MITSUBISHI	866, 888, 902-903	
0796491	EC01-34-350L	MAZDA	746	0798077	4013A281	PEUGEOT	1153-1154	
0796493	51849602	FIAT	379	0798078	48069-12260 *	TOYOTA	1483	
0796493	51928536	FIAT	379	0798087	33326792543	BMW	134, 155, 157	
0796493	51957401	FIAT	379	0798088	33326792539	BMW	134, 155, 157	
0796494	1502087	FORD	460	0798089	30681487	VOLVO	1732	
0796494	1723324	FORD	460	0798089	31277525	VOLVO	1732	
0796498	51890706	LANCIA	673	0798089	31317665	VOLVO	1732	
0796498	51905057	LANCIA	673	0798090	30683248	VOLVO	1733	
0796498	51956709	LANCIA	673	0798090	31202228	VOLVO	1733	
0796500	54501-CC40A	NISSAN	951	0798090	31277345	VOLVO	1733	
0797249	42551296	IVECO	589	0798090	31317663	VOLVO	1733	
0797249	500334714	IVECO	589	0798092	54500-2Y000	HYUNDAI	558	
0797249	500344887	IVECO	589	0798092	54500-2Y000	KIA	643	
0797249	500379801	IVECO	589	0798093	54500-1P000	HYUNDAI	557	
0797250	42551289	IVECO	589	0798093	54500-1P000	KIA	644	
0797250	500334717	IVECO	589	0798094	54500-2K300	KIA	640	
0798063	51360-SWA-E00	HONDA	522	0798094	54500-2K600	KIA	640	
0798063	51360-SWA-E01	HONDA	522	0798096	GS1D-34-250A	MAZDA	722	
0798065	4450109001	SSANGYONG	1406, 1408	0798097	EG21-34-350D	MAZDA	733	
0798069	1702983	FORD	449	0798097	EH44-34-350	MAZDA	733	
0798069	1709466	FORD	449	0798097	EH44-34-350C	MAZDA	733	
0798069	1709468	FORD	449	0798099	54501-0294R	DACIA	316, 319	
0798069	1742266	FORD	449	0798099	545010294R	DACIA	316, 319	
0798069	1749992	FORD	449	0798099	54501-0294R	RENAULT	1264	
0798071	54501-1KA0B	NISSAN	940	0798099	545010294R	RENAULT	1264	
0798073	48069-0F030	TOYOTA	1457, 1535	1484,	0798099	545011727R	DACIA	316, 319
0798073	48069-12300	TOYOTA	1457, 1535	1484,	0798099	545011727R	RENAULT	1264
0798074	5C0407151A	VOLKSWAGEN	1619	0798099	545017081R	DACIA	316, 319	
0798074	5C0407151B	VOLKSWAGEN	1619	0798099	545017081R	RENAULT	1264	
0798074	5C0407151D	VOLKSWAGEN	1619	0798099	545019811R	DACIA	316, 319	
0798075	5C0407151A *	VOLKSWAGEN	1619	0798099	545019811R	RENAULT	1264	
0798075	5C0407151B *	VOLKSWAGEN	1619	0798502	545057449R	RENAULT	1220	
0798075	5C0407151D *	VOLKSWAGEN	1619	0798510	31122785111	MINI	861	
0798076	1K0505223K	AUDI	45, 100	0798510	31126850397	MINI	861	
0798076	1K0505223K	SEAT	1346	0798510	31126879841	MINI	861	
0798076	1K0505223K	SKODA	1378, 1393	0798513	9678311380 *	CITROEN	270	
0798076	1K0505223K	VOLKSWAGEN	1574, 1608, 1612, 1618, 1620, 1675	0798513	9807914280 *	CITROEN	270	
0798077	1612448380	CITROEN	265, 285	0798520	54525-9X502	NISSAN	936	
0798077	1612448380	MITSUBISHI	866, 888, 902-903	0798530	33326861125	BMW	175	
				0798535	31122785113	BMW	135, 199	
				0798535	31122785113	MINI	865	
				0798535	31126851203	BMW	135, 199	

RIF. OCAP OCAP REF.	RIF. ORIG. O.E. NUMBER	MARCA MAKE	PAG.	RIF. OCAP OCAP REF.	RIF. ORIG. O.E. NUMBER	MARCA MAKE	PAG.
0798535	31126851203	MINI	865	0799225	1209246	FORD	458, 482
0798535	31126871301	BMW	135, 199	0799225	1255372	FORD	458, 482
0798535	31126871301	MINI	865	0799225	1448487	FORD	458, 482
0798535	31126879843	BMW	135, 199	0799262	05105041AA	JEEP	606
0798535	31126879843	MINI	865	0799262	05105041AB	JEEP	606
0798539	3646272	OPEL	1036	0799262	05105041AC	JEEP	606
0798539	9816865580	OPEL	1036	0799262	05105041AD	JEEP	606
0798539	9816865580	PEUGEOT	1152	0799262	05105041AE	JEEP	606
0798662	48069-26130	TOYOTA	1499	0799262	05105041AF	JEEP	606
0798662	48069-26131	TOYOTA	1499	0799283	48630-59025	LEXUS	700
0798662	48069-26132	TOYOTA	1499	0799288	3C0505223	AUDI	90
0798668	1866687	FORD	486	0799288	3C0505223	VOLKSWAGEN	1651
0798668	1893095	FORD	486	0799288	3C0505223A	AUDI	90
0798668	1933035	FORD	486	0799288	3C0505223A	VOLKSWAGEN	1651
0798668	2080391	FORD	486	0799288	3C0505223D	AUDI	90
0798669	1612753380	CITROEN	265	0799288	3C0505223D	VOLKSWAGEN	1651
0798669	1612753380	MINISUBISHI	866, 888, 903	0799289	1K0505223L	VOLKSWAGEN	1651
0798669	1612753380	PEUGEOT	1154	0799290	1T0505223F	VOLKSWAGEN	1692, 1695
0798669	4013A443	CITROEN	265	0900040	191407175 *	VOLKSWAGEN	1598
0798669	4013A443	MINISUBISHI	866, 888, 903	0900040	191407181D *	VOLKSWAGEN	1598
0798669	4013A443	PEUGEOT	1154	0900040	191411315B *	VOLKSWAGEN	1598
0798674	7L0505311A	AUDI	96	0900040	1H0407151 *	VOLKSWAGEN	1598
0798674	7L0505311A	PORSCHE	1173	0900040	357407182 *	VOLKSWAGEN	1598
0798674	7L0505311A	VOLKSWAGEN	1687	0900040	357407365A *	VOLKSWAGEN	1598
0798674	7L0505311B	AUDI	96	0900040	6N0411329 *	VOLKSWAGEN	1598
0798674	7L0505311B	PORSCHE	1173	0900040	861411329 *	VOLKSWAGEN	1598
0798674	7L0505311B	VOLKSWAGEN	1687	0900040	N0111849 *	VOLKSWAGEN	1598
0798676	1043965-00-A	TESLA	1452	0900040	N10127702 *	VOLKSWAGEN	1598
0798676	600653200A	TESLA	1452	0900045	3904122 *	FORD	466
0798686	48069-0K010	TOYOTA	1506	0900060	322577	OPEL	1015
0798687	48630-0K010	TOYOTA	1506	0900060	4242731	SAAB	1298
0798688	48069-F4010	TOYOTA	1474	0900060	90373523	VAUXHALL	1542
0798689	6R0505223	AUDI	33	0900130	1165860133	MERCEDES	753, 815
0798831	54500-B9000	HYUNDAI	551	0900131	1165860133 *	MERCEDES	753, 815
0798838	2112614	FORD	443	0900226	6129161	FORD	481
0798845	4473301407	MERCEDES	849	0900242	509453	PEUGEOT	1129, 1131
0798847	4473303400	MERCEDES	850	0900243	509434	PEUGEOT	1129, 1131
0798852	54500-C8000	HYUNDAI	553	0900310	406633 *	PEUGEOT	1090
0798859	8W0501529D	AUDI	63	0900311	406634 *	PEUGEOT	1090
0798860	8W0505397C	AUDI	63	0900319	381734	CITROEN	296
0798860	8W0505397E	AUDI	63	0900319	3817-34	PEUGEOT	1089
0798862	9678311380	CITROEN	270	0900319	381734	PEUGEOT	1089
0798862	9678311380	PEUGEOT	1124	0900363	1609087	OPEL	1027, 1029
0798862	9807914280	CITROEN	270	0900363	1609087	VAUXHALL	1553, 1555
0798862	9807914280	PEUGEOT	1124	0900419	175422831 *	VOLKSWAGEN	1578
0798863	2Q0407151B	AUDI	34	0900419	191422831 *	VOLKSWAGEN	1578
0798863	2Q0407151B	SEAT	1311, 1338	0900419	1H0422831B *	SEAT	1327, 1329, 1355
0798863	2Q0407151B	VOLKSWAGEN	1671	0900419	1H0422831B *	VOLKSWAGEN	1578
0798864	2Q0407151B *	AUDI	34	0900449	9945837	FIAT	359
0798864	2Q0407151B *	SEAT	1311, 1338	0900481	3345796	VOLVO	1718
0798864	2Q0407151B *	VOLKSWAGEN	1671	0900484	406656 *	PEUGEOT	1097
0798865	2Q0407151C	AUDI	35	0900485	406657 *	PEUGEOT	1097, 1119
0798865	2Q0407151C	SEAT	1312, 1339	0900486	509435	PEUGEOT	1109, 1111, 1113, 1129, 1131
0798865	2Q0407151C	VOLKSWAGEN	1672	0900487	352243 *	PEUGEOT	1099
0798866	2Q0407151C *	AUDI	35	0900487	362230 *	PEUGEOT	1099
0798866	2Q0407151C *	SEAT	1312, 1339	0900487	503737 *	PEUGEOT	1099
0798866	2Q0407151C *	VOLKSWAGEN	1672	0900487	5132A8 *	PEUGEOT	1099
0798870	LR037700	LAND ROVER	691, 696	0900487	6925L6 *	PEUGEOT	1099
0798870	LR048091	LAND ROVER	691, 696	0900489	4018A5 *	CITROEN	288
0798877	54500-A0000	HYUNDAI	543	0900489	4018A5 *	FIAT	359
0798887	1782485	FORD	424	0900489	4018A5 *	PEUGEOT	1072
0798887	1793903	FORD	424	0900489	9946982	CITROEN	288
0798887	2068340	FORD	424				
0798887	2106530	FORD	424				
0798887	CN153051AB	FORD	424				

RIF. OCAP OCAP REF.	RIF. ORIG. O.E. NUMBER	MARCA MAKE	PAG.	RIF. OCAP OCAP REF.	RIF. ORIG. O.E. NUMBER	MARCA MAKE	PAG.
0900489	9946982	FIAT	359	0901076	6110904	FORD	427
0900489	9946982	PEUGEOT	1072	0901077	6140086	FORD	432
0900490	400622	CITROEN	288	0901077	6154160	FORD	432
0900490	400622	PEUGEOT	1072	0901088	350376	OPEL	1026
0900522	9938779	ALFA ROMEO	14	0901094	509457 *	PEUGEOT	1091
0900522	9938779	FIAT	348, 386	0901094	509727 *	PEUGEOT	1091
0900522	9938779	LANCIA	667	0901094	96054481 *	PEUGEOT	1091
0900598	6160070 *	FORD	492-493	0901095	509458 *	PEUGEOT	1091
0900653	1652910 *	FORD	429	0901095	509735 *	PEUGEOT	1091
0900653	5021661 *	FORD	429	0901098	509727 *	CITROEN	301
0900653	6107025 *	FORD	429	0901098	5099440 *	CITROEN	301
0900706	GSJ167	ROVER GROUP	1274	0901113	6758090 *	FORD	480
0900721	1403500870	MERCEDES	764, 766, 769, 780, 784, 787, 790, 820, 829, 835	0901129	406628 *	PEUGEOT	1128
0900721	1403501070	MERCEDES	764, 766, 769, 780, 784, 787, 790, 820, 829, 835	0901130	406627 *	PEUGEOT	1128
0900721	1403501170	MERCEDES	764, 766, 769, 780, 784, 787, 790, 820, 829, 835	0901159	9939574	AUTOBIANCHI	125, 127
0900721	2013501070	MERCEDES	764, 766, 769, 780, 784, 787, 790, 820, 829, 835	0901159	9939574	FIAT	363, 375, 385, 400, 402, 404- 405, 407
0900737	2108-3414054	LADA	648	0901159	9939574	LANCIA	654
0900760	07846696	CHEVROLET - DAEWOO 223		0901159	SE138162131A *	SEAT	1323-1325, 1350, 1354
0900760	07846696	GENERAL MOTORS	501	0901159	SE138162132A *	SEAT	1323-1325, 1350, 1354
0900760	07846696	OPEL	1014, 1041- 1043	0901161	9941582	FIAT	340, 346, 395
0900760	07846696	VAUXHALL	1540-1541, 1551	0901161	9941582	LANCIA	652, 658-659
0900760	322575	CHEVROLET - DAEWOO 223		0901163	9945564	FIAT	339, 380, 382
0900760	322575	GENERAL MOTORS	501	0901163	9945564	LANCIA	670
0900760	322575	OPEL	1014, 1041- 1043	0901168	406641 *	PEUGEOT	1150
0900760	322575	VAUXHALL	1540-1541, 1551	0901168	9404066418	FIAT	387, 398
0900760	90105358	CHEVROLET - DAEWOO 223		0901168	9404066418	LANCIA	674
0900760	90105358	GENERAL MOTORS	501	0901169	406618 *	CITROEN	279
0900760	90105358	OPEL	1014, 1041- 1043	0901169	406618 *	FIAT	357
0900760	90105358	VAUXHALL	1540-1541, 1551	0901169	406618 *	PEUGEOT	1077, 1079
0900793	389917	PEUGEOT	1094, 1127	0901169	9750000280 *	CITROEN	279
0900796	389918	PEUGEOT	1137	0901169	9750000280 *	FIAT	357
0900801	3812A0	CITROEN	242, 244, 296	0901169	9750000280 *	PEUGEOT	1077, 1079
0900801	3812A0	PEUGEOT	1089	0901175	5978637 *	FIAT	386
0900801	95609129	CITROEN	242, 244, 296	0901175	7583243 *	FIAT	386
0900918	77362287	FIAT	388	0901198	163203 *	TALBOT	1443, 1448, 1451
0900955	6047900 *	FORD	427-428, 432	0901198	48307 *	TALBOT	1443, 1448, 1451
0900955	6047904 *	FORD	427-428, 432	0901285	1233301475	MERCEDES	754
0900957	6177346 *	FORD	435	0901287	1233500075	MERCEDES	754
0900957	6177347 *	FORD	435	0901287	1235860435	MERCEDES	754
0900958	6127744 *	FORD	428	0901288	1264600819	MERCEDES	751-752, 816
0900978	1619061 *	FORD	480	0901291	4401813 *	FIAT	376
0900978	6173476 *	FORD	428, 430, 433, 480	0901291	4401813 *	SEAT	1351
0901016	1454202 *	FORD	426	0901293	1244600119	MERCEDES	783
0901016	1454203 *	FORD	426	0901294	2014600050	MERCEDES	761
0901072	4177788 *	FIAT	363, 386	0901295	1233500175	MERCEDES	754
0901072	7500707 *	FIAT	363, 386	0901299	7701471125	RENAULT	1184
0901072	7544738 *	FIAT	363, 386	0901309	406637 *	PEUGEOT	1130
0901072	7550273 *	FIAT	363, 386	0901317	9946816	FIAT	370
				0901317	9946816	LANCIA	662, 664
				0901340	7700799404	RENAULT	1183, 1187, 1200, 1263
				0901359	9947534	ALFA ROMEO	1
				0901388	32131096465	BMW	145, 148, 214
				0901388	32131096910	BMW	145, 148, 214
				0901389	31126757622	BMW	145
				0901448	7079340	FIAT	371
				0901458	32131096465	BMW	145
				0901470	2110-3414054	LADA	647, 650
				0901470	21103414054	LADA	647, 650
				0901471	2108-3401224 *	LADA	645, 647-648,

RIF. OCAP OCAP REF.	RIF. ORIG. O.E. NUMBER	MARCA MAKE	PAG.	RIF. OCAP OCAP REF.	RIF. ORIG. O.E. NUMBER	MARCA MAKE	PAG.
			650				1249, 1260, 1270
0901471	21083401224 *	LADA	645, 647-648, 650	0901622	7700678649 *	RENAULT	1182, 1229, 1240, 1242, 1249, 1260, 1270
0901471	2110-3401224 *	LADA	645, 647-648, 650	0901624	6N0419831 *	SEAT	1313, 1316
0901471	21103401224 *	LADA	645, 647-648, 650	0901625	7700656569 *	RENAULT	1233
0901472	111803414058 *	LADA	645	0901629	7700526380 *	RENAULT	1231, 1235
0901497	7701471141	RENAULT	1184-1185, 1262	0901630	7910014837 *	RENAULT	1232-1233
0901504	2D0498831	VOLKSWAGEN	1624	0901632	7700653459 *	RENAULT	1236, 1245
0901504	9014605500	MERCEDES	840, 845	0901633	7700653459 **	RENAULT	1236, 1238, 1245, 1248, 1252
0901508	406669	CITROEN	257	0901633	7700680852 **	RENAULT	1236, 1238, 1245, 1248, 1252
0901508	406669	PEUGEOT	1086	0901638	BMH7113 *	ROVER GROUP	1280
0901512	406664 *	CITROEN	271	0901639	BAU2363 *	ROVER GROUP	1277-1278
0901520	1703300075	MERCEDES	765	0901640	34001732 *	ROVER GROUP	1278
0901527	4331968 *	CITROEN	280	0901640	34782322 *	ROVER GROUP	1278
0901528	7567284 *	CITROEN	280	0901644	7081850	FIAT	353, 371, 373, 394
0901536	4420096	NISSAN	955	0901644	98845026	FIAT	353, 371, 373, 394
0901536	4420096	OPEL	1051	0901677	GX2411301A *	CITROEN	287
0901536	48521-00QOE	NISSAN	955	0901678	5439684 *	CITROEN	282, 284
0901536	485212373R *	RENAULT	1211	0901678	75517078 *	CITROEN	282, 284
0901536	93167687	NISSAN	955	0901679	406620	CITROEN	313
0901536	93167687	OPEL	1051	0901679	91510864 *	CITROEN	313
0901546	406615 *	CITROEN	251, 311	0901681	406621 *	CITROEN	305
0901546	406615 *	PEUGEOT	1080, 1083, 1095, 1108, 1112, 1114, 1125	0901681	406621 *	PEUGEOT	1146
0901546	406620 *	CITROEN	251, 311	0901681	406629 *	CITROEN	305
0901546	406620 *	PEUGEOT	1080, 1083, 1095, 1108, 1112, 1114, 1125	0901681	406629 *	PEUGEOT	1146
0901546	406622 *	CITROEN	251, 311	0901681	406630 *	CITROEN	305
0901546	406622 *	PEUGEOT	1080, 1083, 1095, 1108, 1112, 1114, 1125	0901681	406630 *	PEUGEOT	1146
0901556	GRG150	ROVER GROUP	1292	0901682	191419831 *	SEAT	1327
0901601	322502 *	OPEL	1012, 1039	0901682	191419831 *	VOLKSWAGEN	1597, 1599
0901603	902828 *	OPEL	1014-1015, 1041-1043	0901691	1609096	OPEL	1061
0901603	902828 *	VAUXHALL	1540-1541, 1551	0901691	1609096	VAUXHALL	1565
0901604	902827	OPEL	1026-1027, 1029	0901692	1609095	OPEL	1061
0901604	902827	VAUXHALL	1553, 1555, 1562	0901692	1609095	VAUXHALL	1565
0901607	322506 *	OPEL	1013, 1040	0901693	4905865	SAAB	1301
0901607	322506 *	VAUXHALL	1550, 1552	0901705	1263333814 *	MERCEDES	817
0901609	406615 *	PEUGEOT	1088, 1095, 1106-1108, 1110, 1112, 1114, 1125, 1139	0901706	1263333814 **	MERCEDES	817
0901609	406615 *	TALBOT	1446, 1449	0901710	2013300075	MERCEDES	761
0901609	406620 *	PEUGEOT	1088, 1106- 1108, 1110, 1112, 1114, 1125, 1139	0901728	1243300575	MERCEDES	762, 783, 828- 829
0901611	406643 *	PEUGEOT	1080	0901728	1243300675	MERCEDES	762, 783, 828- 829
0901611	406644 *	PEUGEOT	1080	0901731	1233301375	MERCEDES	753, 817
0901612	6N0422831 *	SEAT	1316	0901731	1235860333	MERCEDES	753, 817
0901615	406603 *	PEUGEOT	1127	0901731	1263300075	MERCEDES	753, 817
0901620	7700554294 *	RENAULT	1222, 1226	0901731	1265860033	MERCEDES	753, 817
0901621	7700656569 *	RENAULT	1224, 1227	0901732	1233301375 *	MERCEDES	753, 817
0901622	7700648649 *	RENAULT	1182, 1229,	0901735	1403307607 **	MERCEDES	818
				0901736	1403306007	MERCEDES	819
				0901736	1403306307	MERCEDES	819
				0901736	1403308207	MERCEDES	819
				0901737	1403300018	MERCEDES	819
				0901740	1403505406	MERCEDES	820
				0901741	1403506006	MERCEDES	820
				0901742	1403506006	MERCEDES	820
				0901746	1609109	OPEL	1018, 1020, 1068
				0901746	1609109	VAUXHALL	1543-1544

RIF. OCAP OCAP REF.	RIF. ORIG. O.E. NUMBER	MARCA MAKE	PAG.	RIF. OCAP OCAP REF.	RIF. ORIG. O.E. NUMBER	MARCA MAKE	PAG.
0901746	1609113	OPEL	1018, 1020, 1068	0901911	46459723 *	ALFA ROMEO	2, 4, 6
0901746	1609113	VAUXHALL	1543-1544	0901911	46459723 *	FIAT	342, 369, 396
0901772	3904122 *	FORD	468	0901911	46459723 *	LANCIA	653
0901772	4119193 *	FORD	468	0901911	46459724 *	ALFA ROMEO	2, 4, 6
0901772	4775683 *	FORD	468	0901911	46459724 *	FIAT	342, 369, 396
0901772	6772173 *	FORD	468	0901911	46459724 *	LANCIA	653
0901791	2034602300	MERCEDES	768, 836	0901911	46519897 *	ALFA ROMEO	2, 4, 6
0901791	2034630396	MERCEDES	768, 836	0901911	46519897 *	FIAT	342, 369, 396
0901804	6E0419831 *	AUDI	37	0901911	46519897 *	LANCIA	653
0901804	6E0419831 *	SKODA	1361	0901956	1633300175	MERCEDES	804-805
0901804	6Q0423831 *	AUDI	37	0901957	910105012001 *	MERCEDES	804
0901806	GRG1152	ROVER GROUP	1290	0901957	913023012002 *	MERCEDES	804
0901810	GRG1157	ROVER GROUP	1293	0901962	31129068753	BMW	164
0901817	ANR5735	LAND ROVER	683	0902040	8D0419831J *	VOLKSWAGEN	1641
0901819	QEY100080	LAND ROVER	683	0902074	171419831C *	VOLKSWAGEN	1591, 1632
0901828	2013300175	MERCEDES	763	0902074	171419832C *	VOLKSWAGEN	1591, 1632
0901833	2013300275	MERCEDES	761	0902079	251419831A *	VOLKSWAGEN	1700
0901834	1243300775	MERCEDES	762	0902089	2103300175	MERCEDES	786
0901836	8Z0407182B *	AUDI	38	0902089	2103300475	MERCEDES	786
0901836	8Z0407182C *	AUDI	38	0902103	2023300018	MERCEDES	765, 779, 834
0901836	8Z0407195B *	AUDI	38	0902103	2023300118	MERCEDES	765, 779, 834
0901836	8Z0407195C *	AUDI	38	0902115	2104602300	MERCEDES	786, 789
0901836	8Z0407195D *	AUDI	38	0902125	31120410791	BMW	152, 197
0901840	4701740 *	OPEL	1009	0902131	48819-70010	CITROEN	255-256
0901840	4701740 *	VAUXHALL	1538	0902131	48819-70010	PEUGEOT	1092-1093
0901843	4914V002000000 *	SMART	1399	0902131	48819-70010	TOYOTA	1462-1463
0901843	5376V001000000 *	SMART	1399	0902131	5091110	CITROEN	255-256
0901856	406664 *	PEUGEOT	1148	0902131	5091110	PEUGEOT	1092-1093
0901858	9949216	FIAT	392	0902131	5091110	TOYOTA	1463
0901865	32136756757	MINI	856	0902131	5094A7	CITROEN	255-256
0901870	32136751026	BMW	168, 191, 205	0902131	5094A7	PEUGEOT	1092-1093
0901870	QFW000010	LAND ROVER	689	0902131	5094A7	TOYOTA	1463
0901879	31121095278	BMW	145, 215	0902131	6822G1	CITROEN	255-256
0901879	31121096983	BMW	145, 215	0902131	6822G1	PEUGEOT	1092-1093
0901879	31124004359	BMW	145, 215	0902131	6822G1	TOYOTA	1463
0901879	31124004360	BMW	145, 215	0902131	6822R9	CITROEN	255-256
0901879	31126750221	BMW	145, 215	0902131	6822R9	PEUGEOT	1092-1093
0901879	31126754899	BMW	145, 215	0902131	6822R9	TOYOTA	1463
0901879	31126757623	BMW	145, 215	0902131	6822S0	CITROEN	255-256
0901883	1609121	OPEL	1031	0902131	6822S0	PEUGEOT	1092-1093
0901883	1609121	VAUXHALL	1557	0902131	6822S0	TOYOTA	1463
0901883	26087869	OPEL	1031	0902137	77363705	ALFA ROMEO	12
0901883	26087869	VAUXHALL	1557	0902143	77364750	ALFA ROMEO	12
0901885	352309	OPEL	1032, 1044	0902148	1404600819	MERCEDES	818
0901885	352309	VAUXHALL	1557, 1560	0902148	2404600419	MERCEDES	818
0901885	352366	VAUXHALL	1557	0902156	2024600319	MERCEDES	765, 779
0901885	9199576	OPEL	1032, 1044	0902158	2023300075	MERCEDES	765
0901885	9199576	VAUXHALL	1557, 1560	0902189	60572854	ALFA ROMEO	18
0901885	9199961	VAUXHALL	1557	0902204	1633500606	MERCEDES	805
0901899	8E0419831 *	AUDI	52	0902230	7700680852 *	RENAULT	1265
0901910	7736514 *	FIAT	381	0902230	7700774566 *	RENAULT	1265
0901910	7736514 *	LANCIA	671	0902231	7700774566 *	RENAULT	1265
0901910	7736515 *	FIAT	381	0902237	1011665 *	FORD	479
0901910	7736515 *	LANCIA	671	0902279	389922	PEUGEOT	1079
0901910	7769900 *	FIAT	381	0902286	364072 *	CITROEN	273, 275
0901910	7769900 *	LANCIA	671	0902286	364072 *	PEUGEOT	1135, 1142
0901910	7769901 *	FIAT	381	0902286	364074 *	CITROEN	273, 275
0901910	7769901 *	LANCIA	671	0902286	364074 *	PEUGEOT	1135, 1142
0901911	46459719 *	ALFA ROMEO	2, 4, 6	0902287	32106765234	BMW	130, 150-151, 197, 216
0901911	46459719 *	FIAT	342, 369, 396	0902314	12802043	SAAB	1299
0901911	46459719 *	LANCIA	653	0902331	7700847382	RENAULT	1216
0901911	46459720 *	ALFA ROMEO	2, 4, 6	0902332	75472408	CITROEN	254
0901911	46459720 *	FIAT	342, 369, 396	0902332	95619159	CITROEN	254, 278, 304
0901911	46459720 *	LANCIA	653	0902333	1689810318	MERCEDES	756

RIF. OCAP OCAP REF.	RIF. ORIG. O.E. NUMBER	MARCA MAKE	PAG.	RIF. OCAP OCAP REF.	RIF. ORIG. O.E. NUMBER	MARCA MAKE	PAG.
0902333	1689810518	MERCEDES	756	0902491	1433372	FORD	453, 470
0902334	7719062 *	FIAT	381	0902491	30776251	VOLVO	1726, 1732
0902334	7719062 *	LANCIA	671	0902491	LR002682	LAND ROVER	685
0902334	7719063 *	FIAT	381	0902521	9943835	ALFA ROMEO	14
0902334	7719063 *	LANCIA	671	0902529	GSV1161 *	ROVER GROUP	1284
0902356	77363828	ALFA ROMEO	28	0902533	GSV1140	ROVER GROUP	1288
0902356	77363828	FIAT	383, 416	0902534	GSV1079	ROVER GROUP	1288, 1294
0902356	77366164	FIAT	383, 416	0902535	GRG1153	ROVER GROUP	1282-1283, 1289
0902360	32106765782	BMW	179	0902540	7829861 *	SAAB	1296
0902367	1233301375	MERCEDES	817	0902542	8962243 *	SAAB	1296, 1305
0902367	1235860333	MERCEDES	817	0902542	8962516 *	SAAB	1296, 1305
0902367	1263300075	MERCEDES	817	0902548	9950650	ALFA ROMEO	3, 5, 7, 26
0902367	1265860033	MERCEDES	817	0902555	QFW500010	LAND ROVER	680
0902374	2119900299	MERCEDES	793, 833	0902558	QFW500020	LAND ROVER	693
0902375	2119900099	MERCEDES	793, 833	0902586	1609347	OPEL	1008, 1033
0902394	406680	CITROEN	261, 286	0902586	93189041	OPEL	1008, 1033
0902394	406680	PEUGEOT	1100, 1105	0902595	1633300275	MERCEDES	805
0902415	0192441 *	SEAT	1328	0902596	1683501308	MERCEDES	756
0902415	191407151B *	SEAT	1328	0902596	1683501808	MERCEDES	756
0902415	191407175 *	SEAT	1328	0902598	1683501408	MERCEDES	756
0902415	191411315B *	SEAT	1328	0902599	2033504308	MERCEDES	770
0902415	191411331 *	SEAT	1328	0902611	2033504508	MERCEDES	770, 837
0902415	357407365A *	SEAT	1328	0902611	2033504608	MERCEDES	770, 837
0902415	6N0411329 *	SEAT	1328	0902612	2153500008	MERCEDES	823
0902415	N0111849 *	SEAT	1328	0902613	2153500108	MERCEDES	823
0902419	191407175 *	VOLKSWAGEN	1598	0902616	32106778560	MINI	859, 863
0902419	191407181D *	VOLKSWAGEN	1598	0902633	71741676 *	FIAT	390
0902419	191411315B *	VOLKSWAGEN	1598	0902633	71742190 *	FIAT	390
0902419	357407182 *	VOLKSWAGEN	1598	0902633	71742689 *	FIAT	390
0902419	6N0411329 *	VOLKSWAGEN	1598	0902634	71741691 *	FIAT	391
0902419	861411329 *	VOLKSWAGEN	1598	0902634	71746971 *	FIAT	391
0902419	N0111849 *	VOLKSWAGEN	1598	0902635	71741553 *	FIAT	391
0902419	N10127702 *	VOLKSWAGEN	1598	0902635	71742291 *	FIAT	391
0902422	8D0419831J *	SKODA	1388	0902635	71742292 *	FIAT	391
0902424	4D0419831D *	SKODA	1388	0902637	77364254	CITROEN	290
0902424	4D0419831D *	VOLKSWAGEN	1641	0902637	77364254	FIAT	361
0902425	811419831B *	VOLKSWAGEN	1633, 1635	0902637	77364254	PEUGEOT	1074
0902434	352720 *	PEUGEOT	1100	0902645	52088463	JEEP	608
0902434	509112 *	PEUGEOT	1100	0902646	52088871AB	JEEP	608
0902434	509113 *	PEUGEOT	1100	0902665	48203-1U61A	NISSAN	949
0902434	5094C1 *	PEUGEOT	1100	0902665	48203-3U025	NISSAN	949
0902435	352720 *	PEUGEOT	1100	0902667	1644600096	MERCEDES	806, 812
0902435	509112 *	PEUGEOT	1100	0902687	77364341	FIAT	343
0902435	509113 *	PEUGEOT	1100	0902687	77364341	LANCIA	660
0902435	5094C2 *	PEUGEOT	1100	0902725	7701477878	RENAULT	1272
0902436	352720 *	PEUGEOT	1100	0902726	7701477822	RENAULT	1272
0902436	509112 *	PEUGEOT	1100	0902728	8200603492	RENAULT	1272
0902436	509113 *	PEUGEOT	1100	0902728	8200891487	RENAULT	1272
0902436	5094C3 *	PEUGEOT	1100	0902733	406683	CITROEN	293
0902442	352243 *	PEUGEOT	1100	0902733	406683	PEUGEOT	1076
0902442	352275 *	PEUGEOT	1100	0902733	9404066838	CITROEN	293
0902442	352276 *	PEUGEOT	1100	0902733	9404066838	FIAT	389
0902442	352277 *	PEUGEOT	1100	0902733	9404066838	PEUGEOT	1076
0902442	362230 *	PEUGEOT	1100	0902741	2E0713115	VOLKSWAGEN	1583
0902442	362244 *	PEUGEOT	1100	0902741	9064600096	MERCEDES	842
0902442	362314 *	PEUGEOT	1100	0902749	2992592	IVECO	588
0902442	693686 *	PEUGEOT	1100	0902753	406691	CITROEN	295
0902450	6001547607	DACIA	318	0902753	406691	FIAT	365, 368
0902451	8201108350	DACIA	317	0902753	406691	PEUGEOT	1071
0902452	8201108358	DACIA	317	0902753	406695	CITROEN	295
0902453	6001547138	DACIA	316, 318-319	0902753	406695	FIAT	365, 368
0902453	6001547138	RENAULT	1264	0902753	406695	PEUGEOT	1071
0902453	8200277960	DACIA	316, 318-319	0902753	77364571	FIAT	365, 368
0902453	8200277960	RENAULT	1264	0902872	270597	VOLVO	1730, 1737,

RIF. OCAP OCAP REF.	RIF. ORIG. O.E. NUMBER	MARCA MAKE	PAG.	RIF. OCAP OCAP REF.	RIF. ORIG. O.E. NUMBER	MARCA MAKE	PAG.
			1743	0903136	9191410	VOLVO	1728
0902876	3342893	VOLVO	1740	0903137	6R0501541A *	AUDI	41, 98
0902885	1J0411314G *	VOLKSWAGEN	1577	0903137	6R0501541A *	SEAT	1334, 1337, 1342
0902885	1J0411336B *	VOLKSWAGEN	1577	0903137	6R0501541A *	SKODA	1363, 1365, 1375, 1384, 1387
0902885	N10101603 *	VOLKSWAGEN	1577	0903137	6R0501541A *	VOLKSWAGEN	1577, 1589, 1604, 1631, 1668, 1670
0902899	31120006482	BMW	166, 189	0903137	N10106402 *	AUDI	41, 98
0902899	31121141752	BMW	166, 189	0903137	N10106402 *	SEAT	1334, 1337, 1342
0902899	31129068734	BMW	166, 189	0903137	N10106402 *	SKODA	1363, 1365, 1375, 1384, 1387
0902899	31129071085	BMW	166, 189	0903137	N10106402 *	VOLKSWAGEN	1577, 1589, 1604, 1631, 1668, 1670
0902906	9946947	FIAT	380	0903137	N10106402 *	AUDI	41, 98
0902906	9946947	LANCIA	670	0903137	N10106402 *	SEAT	1334, 1337, 1342
0903014	6000025363 *	RENAULT	1203	0903137	N10106402 *	SKODA	1363, 1365, 1375, 1384, 1387
0903014	6000025597 *	RENAULT	1203	0903137	N10106402 *	VOLKSWAGEN	1577, 1589, 1604, 1631, 1668, 1670
0903014	7701469657	RENAULT	1203	0903139	1609356	OPEL	1045
0903032	271601	VOLVO	1728, 1745	0903139	93191260	OPEL	1045
0903040	1J0411323 *	VOLKSWAGEN	1630	0903144	16750635 *	IVECO	590
0903040	1J0411323	AUDI	40	0903144	500317413 *	IVECO	590
0903040	1J0411323	VOLKSWAGEN	1576	0903144	500339201 *	IVECO	590
0903040	1J0411325B *	VOLKSWAGEN	1630	0903144	504039506 *	IVECO	590
0903040	1J0411325B	AUDI	40	0903147	406682	CITROEN	253, 264, 268
0903040	1J0411325B	VOLKSWAGEN	1576	0903147	406682	PEUGEOT	1085, 1121
0903040	1J0411327 *	VOLKSWAGEN	1630	0903147	406685	CITROEN	253, 264, 268
0903040	1J0411327	AUDI	40	0903147	406685	PEUGEOT	1085, 1121
0903040	1J0411327	VOLKSWAGEN	1576	0903203	7701469486	RENAULT	1213
0903040	1J0411327	VOLKSWAGEN	1576	0903204	7701469487	RENAULT	1213
0903040	N10261302 *	VOLKSWAGEN	1630	0903209	7701469496	RENAULT	1179, 1184– 1185, 1192, 1198–1199, 1214, 1262
0903040	N10261302	AUDI	40	0903212	4154600096	MERCEDES	839
0903040	N10261302	VOLKSWAGEN	1576	0903212	4154600096	RENAULT	1201
0903041	1J0411314B *	VOLKSWAGEN	1630	0903212	7701478400	MERCEDES	839
0903041	1J0411314B	AUDI	40	0903212	7701478400	RENAULT	1201
0903041	1J0411314B	VOLKSWAGEN	1577	0903216	482036715R	RENAULT	1195, 1219, 1257
0903041	1J0411336B *	VOLKSWAGEN	1630	0903229	32102353824	BMW	133, 154, 156, 208
0903041	1J0411336B	AUDI	40	0903229	32106779622	BMW	133, 154, 156, 208
0903041	1J0411336B	VOLKSWAGEN	1577	0903229	32106795845	BMW	133, 154, 156, 208
0903041	N10101603 *	VOLKSWAGEN	1630	0903229	32106870519	BMW	133, 154, 156, 208
0903041	N10101603	AUDI	40	0903250	1545456	FORD	441
0903041	N10101603	VOLKSWAGEN	1577	0903262	77365222	FIAT	356
0903046	7M0422831B *	SEAT	1307	0903265	98845882	FIAT	353
0903046	7M0422831B *	VOLKSWAGEN	1676	0903807	4408476	NISSAN	954
0903048	357422831B *	VOLKSWAGEN	1597, 1599	0903807	4408476	OPEL	1065, 1067
0903061	NRC145	LAND ROVER	676	0903807	4408476	RENAULT	1267, 1269
0903062	NRC4700	LAND ROVER	676	0903807	4408476	VAUXHALL	1570
0903063	NRC1824	LAND ROVER	676	0903807	48203-00QAE	NISSAN	954
0903064	NTC8390	LAND ROVER	676	0903807	7701473334	NISSAN	954
0903065	STC618	LAND ROVER	677	0903807	7701473334	OPEL	1065, 1067
0903068	NRC9742	LAND ROVER	675	0903807	7701473334	RENAULT	1267, 1269
0903069	ANR2860	LAND ROVER	675	0903807	7701473334	VAUXHALL	1570
0903070	GSV1141	ROVER GROUP	1282, 1288	0903807	91160038	NISSAN	954
0903080	50509339 *	ALFA ROMEO	10	0903807	91160038	OPEL	1065, 1067
0903080	50509340 *	ALFA ROMEO	10	0903807	91160038	RENAULT	1267, 1269
0903080	60652465 *	ALFA ROMEO	10	0903807	91160038	VAUXHALL	1570
0903080	60652466 *	ALFA ROMEO	10	0903811	4501260	OPEL	1049, 1051
0903080	60678134 *	ALFA ROMEO	10	0903811	4501260	VAUXHALL	1561
0903080	60678135 *	ALFA ROMEO	10				
0903080	60686891 *	ALFA ROMEO	10				
0903080	60686892 *	ALFA ROMEO	10				
0903082	9947921	ALFA ROMEO	9, 16				
0903082	9947921	LANCIA	669				
0903082	9951287	ALFA ROMEO	9, 16				
0903082	9951287	LANCIA	669				
0903085	1J0411314C *	SKODA	1375				
0903085	1J0411314C *	VOLKSWAGEN	1603				
0903085	1J0411336B *	SKODA	1375				
0903085	1J0411336B *	VOLKSWAGEN	1603				
0903085	N10101603 *	SKODA	1375				
0903085	N10101603 *	VOLKSWAGEN	1603				

RIF. OCAP OCAP REF.	RIF. ORIG. O.E. NUMBER	MARCA MAKE	PAG.	RIF. OCAP OCAP REF.	RIF. ORIG. O.E. NUMBER	MARCA MAKE	PAG.
0903811	7701470361 *	RENAULT	1209, 1211	0904190-K	4D0498998 *	VOLKSWAGEN	1643
0903811	77014-70361	NISSAN	955	0904193-K	8E0498998 **	AUDI	54
0903811	9161560	OPEL	1049, 1051	0904206	77362382	LANCIA	672
0903811	9161560	VAUXHALL	1561	0904208	32136751026	BMW	201
0903816	406670	CITROEN	276	0904209	31120307882	BMW	201
0903816	406670	PEUGEOT	1151	0904210	31120307882 *	BMW	201
0903816	77362281	FIAT	399	0904218	31120305612	BMW	169, 179
0903816	77362281	LANCIA	666	0904230	32106765079	BMW	130, 150
0903825	3905020	FORD	474	0904232	31120393540	BMW	131, 151, 216
0903825	4441412	FORD	474	0904250	6394600096	MERCEDES	847
0903832	77362504	FIAT	367	0904250	6394600196	MERCEDES	847
0903832	77362504	LANCIA	665	0904270	4143300035 *	MERCEDES	844
0903838	51857133 *	FIAT	378	0904286	1318867	FORD	446
0903838	51857134 *	FIAT	378	0904286	1377499	FORD	446
0903856	2204601000	MERCEDES	821	0904344	30723085	VOLVO	1716, 1721
0903859	0003300018	MERCEDES	792, 822, 832	0904347	272418	VOLVO	1724, 1731
0903860	2203330074 *	MERCEDES	822	0904356	1603241	OPEL	1044
0903860	2203330077 *	MERCEDES	822	0904358	1609153	OPEL	1020, 1068
0903860	910113016001 *	MERCEDES	822	0904358	1609153	VAUXHALL	1544
0903861	0049908104 *	MERCEDES	822	0904374	1609132	OPEL	1063
0903861	913023010002 *	MERCEDES	822	0904374	1609132	VAUXHALL	1567
0903862	2203500170	MERCEDES	823	0904374	93172342	OPEL	1063
0903863	2203503106	MERCEDES	823	0904374	93172342	SAAB	1299
0903870	3736028 *	FORD	496	0904374	93172342	VAUXHALL	1567
0903870	3933468 *	FORD	496	0904403	48203-AX600	NISSAN	949
0903870	4041494 *	FORD	496	0904403	48203-AX600	RENAULT	1188
0903882	1541354 *	FORD	459	0904403	7701475840	NISSAN	949
0903882	1541355 *	FORD	459	0904403	7701475840	RENAULT	1188
0903882	51786814 *	FIAT	415	0904422	7701474075	RENAULT	1193
0903882	51786815 *	FIAT	415	0904478	3345796	VOLVO	1720
0903882	51875886 *	FIAT	415	0904481	274354	VOLVO	1734
0903882	51875887 *	FIAT	415	0904508-K	4B3498998	AUDI	71
0903883	1546265	FORD	424, 459, 487	0904509-K	4B3498998 *	AUDI	71
0903883	77362509	FIAT	377, 379, 415	0904523-K	4D0407151P *	VOLKSWAGEN	1646
0903883	77362509	FORD	424, 459, 487	0904523-K	4D0407693N *	VOLKSWAGEN	1646
0903883	77362509	LANCIA	673	0904523-K	4D0407694N *	VOLKSWAGEN	1646
0903883	9S513K661AA	FORD	424, 459, 487	0904523-K	8D0411317D *	VOLKSWAGEN	1646
0903891	900906	OPEL	1035	0904523-K	8D0411318D *	VOLKSWAGEN	1646
0903891	900906	VAUXHALL	1559	0904523-K	8E0407505A *	VOLKSWAGEN	1646
0903891	97184820	OPEL	1035	0904523-K	8E0407506A *	VOLKSWAGEN	1646
0903891	97184820	VAUXHALL	1559	0904523-K	8E0407509A *	VOLKSWAGEN	1646
0904025	52087674	JEEP	603, 607, 613	0904523-K	8E0407510A *	VOLKSWAGEN	1646
0904026	52005742	JEEP	603, 607, 613	0904523-K	8E0419811B *	VOLKSWAGEN	1646
0904026	53037536	JEEP	603, 607, 613	0904524-K	4D0407151P **	VOLKSWAGEN	1646
0904027	52006608	JEEP	612	0904524-K	4D0407693N **	VOLKSWAGEN	1646
0904029	52006606	JEEP	612	0904524-K	4D0407694N **	VOLKSWAGEN	1646
0904100	406615 *	PEUGEOT	1139	0904524-K	8E0407505A **	VOLKSWAGEN	1646
0904100	406617 *	PEUGEOT	1139	0904524-K	8E0407506A **	VOLKSWAGEN	1646
0904165	1061703	FORD	445, 448	0904524-K	8E0407509A **	VOLKSWAGEN	1646
0904165	1061703	NISSAN	877	0904524-K	8E0407510A **	VOLKSWAGEN	1646
0904165	1061703	SMART	1402	0904524-K	8E0419811B **	VOLKSWAGEN	1646
0904165	1203093	FORD	445, 448	0904600	406697	CITROEN	258
0904165	1203093	NISSAN	877	0904604	32106791561	BMW	171, 176, 181, 193
0904165	1203093	SMART	1402				
0904165	1487402	FORD	445, 448	0904612	DBP7474 *	ROVER GROUP	1287
0904165	1487402	NISSAN	877	0904612	LHM3003 *	ROVER GROUP	1287
0904165	1487402	SMART	1402	0904635	48203-JD01A	RENAULT	1202
0904165	4056A052	FORD	445, 448	0905167	0902010	CHEVROLET - DAEWOO	231
0904165	4056A052	NISSAN	877	0905167	0902010	OPEL	1022
0904165	4056A052	SMART	1402	0905167	13278357	CHEVROLET - DAEWOO	231
0904171	7701474447	RENAULT	1217, 1256	0905167	13278357	OPEL	1022
0904185-K	8D0498998 *	AUDI	51, 68	0905167	902010	CHEVROLET - DAEWOO	231
0904185-K	8D0498998 *	VOLKSWAGEN	1643	0905167	902010	OPEL	1022
0904187-K	8E0498998 *	AUDI	54	0905168	13286689	CHEVROLET - DAEWOO	231
0904190-K	4D0498998 *	AUDI	51, 68	0905168	13286689	OPEL	1022, 1070

RIF. OCAP OCAP REF.	RIF. ORIG. O.E. NUMBER	MARCA MAKE	PAG.	RIF. OCAP OCAP REF.	RIF. ORIG. O.E. NUMBER	MARCA MAKE	PAG.
0905168	13354440	CHEVROLET - DAEWOO	231	0905741	4066A0	PEUGEOT	1140
0905168	13354440	OPEL	1022, 1070	0905752	77366697	FIAT	417
0905168	1609028	CHEVROLET - DAEWOO	231	0905752	77366697	JEEP	610
0905168	1609028	OPEL	1022, 1070	0905754	77367380	FIAT	397
0905168	1609182	CHEVROLET - DAEWOO	231	0905756	68040223AD**	FIAT	366
0905168	1609182	OPEL	1022, 1070	0905756	68040223AE**	FIAT	366
0905169	13271036	OPEL	1037	0905756	K68040223AA**	FIAT	366
0905169	13271036	SAAB	1303	0905756	K68040223AB**	FIAT	366
0905169	1609357	OPEL	1037	0905756	K68040223AD**	FIAT	366
0905169	1609357	SAAB	1303	0905756	K68040223AE**	FIAT	366
0905171	406688	CITROEN	272	0905760	45535-87401	DAIHATSU	337
0905171	406688	PEUGEOT	1142	0905769	1610817580	CITROEN	269
0905190	0003331071	MERCEDES	795	0905769	1610817580	OPEL	1036
0905336	482030001R	RENAULT	1206	0905769	1610817580	PEUGEOT	1123, 1152
0905337	4803246	OPEL	1011	0908077	406684	CITROEN	285
0905337	93743434	OPEL	1011	0908077	406684	MITSUBISHI	888, 902
0905338	50520351	ALFA ROMEO	25	0908077	406684	PEUGEOT	1153
0905339	4514600096	SMART	1400	0908077	4410A125	CITROEN	285
0905343	373918 *	CITROEN	271	0908077	4410A125	MITSUBISHI	888, 902
0905343	513267 *	CITROEN	271	0908077	4410A125	PEUGEOT	1153
0905343	513268 *	CITROEN	271	0908077	4410A452	CITROEN	285
0905343	513326 *	CITROEN	271	0908077	4410A452	MITSUBISHI	888, 902
0905343	513427 *	CITROEN	271	0908077	4410A452	PEUGEOT	1153
0905343	515414 *	CITROEN	271	0908099	485213172R *	DACIA	316, 319
0905343	517912 *	CITROEN	271	0908099	485213172R *	RENAULT	1264
0905343	75472408 *	CITROEN	271	0908508	32106865380	BMW	135, 199
0905345	2044630296 *	MERCEDES	794	0908508	32106865380	MINI	861, 865
0905494	57740-2K001	KIA	634	0908524	32106876979	BMW	174
0905497	45535-30030	LEXUS	702	0908669	1607502280 *	CITROEN	265
0905497	45535-39005	LEXUS	702	0908669	1607502280 *	MITSUBISHI	866, 903
0905497	45535-59045	LEXUS	702	0908669	1607502280 *	PEUGEOT	1154
0905556	32106795845	BMW	203	0908669	1608532180*	CITROEN	265
0905577	1J0501541D *	AUDI	41, 98	0908669	1608532180*	MITSUBISHI	866, 903
0905577	1J0501541D *	SEAT	1334, 1342	0908669	1608532180*	PEUGEOT	1154
0905577	1J0501541D *	SKODA	1363, 1375, 1379, 1387	0908830	57740-B4000	HYUNDAI	551
0905577	1J0501541D *	VOLKSWAGEN	1577, 1604, 1631, 1668	0908841	7701209534	RENAULT	1205
0905577	N10106402 *	AUDI	41, 98	0908882	5253030	FORD	455, 472
0905577	N10106402 *	SEAT	1334, 1342	0908882	DG9C-3F891-BA	FORD	455, 472
0905577	N10106402 *	SKODA	1363, 1375, 1379, 1387	0909422	5801564274	IVECO	591
0905577	N10106402 *	VOLKSWAGEN	1577, 1604, 1631, 1668	0909422	5801564276	IVECO	591
0905580	1608025480	CITROEN	267	0909422	5801564281	IVECO	591
0905580	1608025480	PEUGEOT	1102, 1104	0980376	31121136532	BMW	143
0905583	48521-1071R	RENAULT	1181, 1189	0981867	31126757562	MINI	857
0905583	485211071R	RENAULT	1181, 1189	0981966	1633200090	MERCEDES	805
0905584	48203-0586R	RENAULT	1181, 1189	0982112	1693300803	MERCEDES	757
0905584	482030586R	RENAULT	1181, 1189	0982389	270882	VOLVO	1738
0905594	1609201	CHEVROLET - DAEWOO	219, 235	0982423	191411331 *	SEAT	1314
0905594	1609201	OPEL	1047	0982423	191411331 *	VOLKSWAGEN	1662
0905594	1609212	CHEVROLET - DAEWOO	219, 235	0982423	6N0407151 *	SEAT	1314
0905594	1609212	OPEL	1047	0982423	6N0407151 *	VOLKSWAGEN	1662
0905594	95915220	CHEVROLET - DAEWOO	219, 235	0982423	6N0407175 *	SEAT	1314
0905594	95915220	OPEL	1047	0982423	6N0407175 *	VOLKSWAGEN	1662
0905594	95952928	CHEVROLET - DAEWOO	219, 235	0982423	6N0407365A *	SEAT	1314
0905594	95952928	OPEL	1047	0982423	6N0407365A *	VOLKSWAGEN	1662
0905595	1609200	CHEVROLET - DAEWOO	219, 235	0982423	6N0411315 *	SEAT	1314
0905595	1609200	OPEL	1047	0982423	6N0411315 *	VOLKSWAGEN	1662
0905595	95218371	CHEVROLET - DAEWOO	219, 235	0982423	6N0411329 *	SEAT	1314
0905595	95218371	OPEL	1047	0982423	6N0411329 *	VOLKSWAGEN	1662
0905598	D8203-1HA0A	NISSAN	950	0982423	N0111849 *	SEAT	1314
0905728	57728-17000	KIA	628	0982423	N0111849 *	VOLKSWAGEN	1662
0905741	4066.A0	PEUGEOT	1140	0982423	N10127702 *	SEAT	1314
				0982423	N10127702 *	VOLKSWAGEN	1662
				0982875	3343642	VOLVO	1740
				0983868	4059922	FORD	495
				0984383	406672	PEUGEOT	1134

RIF. OCAP OCAP REF.	RIF. ORIG. O.E. NUMBER	MARCA MAKE	PAG.	RIF. OCAP OCAP REF.	RIF. ORIG. O.E. NUMBER	MARCA MAKE	PAG.
0984448	1693300703	MERCEDES	757	1211064	9750000280	CITROEN	279
0984451	1694600396	MERCEDES	757	1211064	9750000280	FIAT	357
0990376	31121136531	BMW	143	1211064	9750000280	PEUGEOT	1077, 1079
0991867	31126757561	MINI	857	1211065	6047900	FORD	427-428, 432
0991966	1633200190	MERCEDES	805	1211066	6047904	FORD	427-428, 432
0992112	1693300903	MERCEDES	757	1211067	1619061	FORD	428, 430, 433, 477, 480
0992389	270881	VOLVO	1738	1211067	6173476	FORD	428, 430, 433, 477, 480
0992423	191411331 *	SEAT	1314	1211068	6127744	FORD	428
0992423	191411331 *	VOLKSWAGEN	1662	1211070	6060787	FORD	483
0992423	6N0407151 *	SEAT	1314	1211071	6060791	FORD	483
0992423	6N0407151 *	VOLKSWAGEN	1662	1211073	6160070	FORD	492-493
0992423	6N0407175 *	SEAT	1314	1211074	7583243	FIAT	386
0992423	6N0407175 *	VOLKSWAGEN	1662	1211074	7583243	INNOCENTI	576
0992423	6N0407365 *	SEAT	1314	1211074	7583243	LANCIA	655
0992423	6N0407365 *	VOLKSWAGEN	1662	1211075	5978637	FIAT	386
0992423	6N0411315 *	SEAT	1314	1211075	5978637	INNOCENTI	576
0992423	6N0411315 *	VOLKSWAGEN	1662	1211075	5978637	LANCIA	655
0992423	6N0411329 *	SEAT	1314	1211077	406637	PEUGEOT	1130, 1144
0992423	6N0411329 *	VOLKSWAGEN	1662	1211078	32111116067	BMW	137
0992423	N0111849 *	SEAT	1314	1211078	32111118688	BMW	137
0992423	N0111849 *	VOLKSWAGEN	1662	1211078	32111125131	BMW	137
0992423	N10127702 *	SEAT	1314	1211083	861419831A	AUDI	102
0992423	N10127702 *	VOLKSWAGEN	1662	1211083	861419831A	VOLKSWAGEN	1656
0992875	3343641	VOLVO	1740	1211084	861419831B	AUDI	102
0993868	4059921	FORD	495	1211084	861419831B	VOLKSWAGEN	1656, 1658
0994383	406671	CITROEN	274	1211085	823419831	AUDI	105-106
0994383	406671	PEUGEOT	1134	1211086	811419831B	AUDI	86-87, 108, 110, 113, 115
0994448	1693300403	MERCEDES	757	1211086	811419831B	VOLKSWAGEN	1633, 1635, 1637
0994451	1694600196	MERCEDES	757	1211087	32111117426	BMW	137, 140
1211055	102962	ALFA ROMEO	18	1211088	32111127104	BMW	140, 211
1211055	60502781	ALFA ROMEO	18	1211089	32211139786	BMW	142, 212
1211055	60709447	ALFA ROMEO	18	1211090	32111137071	BMW	142
1211058	11600230022208	ALFA ROMEO	20-21	1211092	4373922	FIAT	410
1211058	60724111	ALFA ROMEO	20-21	1211093	4373921	FIAT	410
1211058	60724154	ALFA ROMEO	20-21	1211094	9939555	FIAT	348
1211058	60724166	ALFA ROMEO	20-21	1211094	9939555	LANCIA	667
1211058	60724222	ALFA ROMEO	20-21	1211095	9941293	LANCIA	662, 667
1211058	60734840	ALFA ROMEO	20-21	1211096	8962516	SAAB	1296, 1305
1211058	9943860	ALFA ROMEO	20-21	1211097	1454203	FORD	426
1211059	4371156	AUTOBIANCHI	125, 127	1211098	1454202	FORD	426
1211059	4371156	FIAT	363-364, 375, 385, 400, 402, 404-405, 407	1211098	1454202	FORD	426
1211059	4371156	LANCIA	654	1211101	1507333	FORD	420
1211059	SE138162132A	SEAT	1323-1325, 1350, 1354	1211102	1507336	FORD	420
1211060	4371155	AUTOBIANCHI	125, 127	1211104	310807	OPEL	1012, 1039
1211060	4371155	FIAT	363-364, 375, 385, 400, 402, 404-405, 407	1211104	322502	OPEL	1012, 1039
1211060	4371155	LANCIA	654-655	1211105	322506	OPEL	1013, 1040
1211060	7075793	INNOCENTI	576	1211105	322506	VAUXHALL	1550, 1552
1211060	SE138162131A	SEAT	1323-1325, 1350, 1354	1211106	902825	OPEL	1014-1015, 1041-1043
1211061	7566840	FIAT	395	1211106	902828	OPEL	1014-1015, 1041-1043
1211062	7545160	FIAT	340, 346, 395	1211106	902828	VAUXHALL	1540-1541, 1551
1211062	7645160	LANCIA	652, 658-659	1211107	902827 *	OPEL	1026, 1029
1211063	406618	CITROEN	279	1211107	902827 *	VAUXHALL	1553, 1555, 1562
1211063	406618	FIAT	357	1211107	902827 Z	OPEL	1027
1211063	406618	PEUGEOT	1077, 1079	1211109	406614	PEUGEOT	1087
1211063	9750000380	CITROEN	279	1211110	406015	CITROEN	249, 251, 277, 294, 299-300, 302, 309, 311, 313
1211063	9750000380	FIAT	357	1211110	406015	PEUGEOT	1080, 1083,
1211063	9750000380	PEUGEOT	1077, 1079				
1211064	406619	CITROEN	279				
1211064	406619	FIAT	357				
1211064	406619	PEUGEOT	1077, 1079				

RIF. OCAP OCAP REF.	RIF. ORIG. O.E. NUMBER	MARCA MAKE	PAG.	RIF. OCAP OCAP REF.	RIF. ORIG. O.E. NUMBER	MARCA MAKE	PAG.
			1088, 1095, 1106-1108, 1110, 1112, 1114, 1139				1270
				1211127	7700653459	RENAULT	1236, 1238, 1245, 1248, 1252
1211110	406015	TALBOT	1446, 1449	1211128	7700680852	RENAULT	1236, 1238, 1245, 1247- 1248, 1252, 1265
1211110	406020	CITROEN	249, 251, 277, 294, 299-300, 302, 309, 311, 313	1211130	7700526380	RENAULT	1231, 1235
1211110	406020	PEUGEOT	1080, 1083, 1088, 1095, 1106-1108, 1110, 1112, 1114, 1139	1211131	7910014837	RENAULT	1232-1233
1211110	406020	TALBOT	1446, 1449	1211132	6N0419831	SEAT	1313, 1316
1211110	406615	CITROEN	249, 251, 277, 294, 299-300, 302, 309, 311, 313	1211132	6N0419831	VOLKSWAGEN	1627, 1660
1211110	406615	PEUGEOT	1080, 1083, 1088, 1095, 1106-1108, 1110, 1112, 1114, 1125, 1139	1211135	131331	TALBOT	1447
1211110	406615	TALBOT	1446, 1449	1211136	163203	TALBOT	1443, 1448, 1451
1211110	406620	PEUGEOT	1125	1211136	48307	TALBOT	1443, 1448, 1451
1211110	95510923	CITROEN	249, 251, 277, 294, 299-300, 302, 309, 311, 313	1211138	171419832A	VOLKSWAGEN	1591, 1632
1211110	95510923	PEUGEOT	1080, 1083, 1088, 1095, 1106-1108, 1110, 1112, 1114, 1139	1211138	171419832C	VOLKSWAGEN	1591, 1632
1211110	95510923	TALBOT	1446, 1449	1211139	171419831A	VOLKSWAGEN	1591, 1632
1211114	406622	CITROEN	247, 249, 251, 307, 309, 311	1211139	171419831B	VOLKSWAGEN	1591, 1632
1211114	406622	PEUGEOT	1080, 1083, 1095, 1108, 1112, 1114, 1116, 1125	1211139	171419831C	VOLKSWAGEN	1591, 1632
1211116	406603	PEUGEOT	1127	1211142	251419831A	VOLKSWAGEN	1700
1211117	406608	PEUGEOT	1137	1211143	1205653	VOLVO	1736
1211118	406610	PEUGEOT	1137	1211144	1205652	VOLVO	1736
1211120	7700554294	RENAULT	1222, 1226	1211145	1205662	VOLVO	1736
1211123	7700706007	RENAULT	1182, 1190- 1191, 1229, 1236, 1239- 1240, 1242, 1248-1249, 1252, 1260, 1266	1211146	1228425	VOLVO	1737
1211124	191419831	SEAT	1327	1211147	1272925	VOLVO	1737, 1743
1211124	191419831	VOLKSWAGEN	1593, 1597, 1599	1211148	1272924	VOLVO	1737, 1743
1211125	7700656569	RENAULT	1224, 1227, 1233	1211149	3268835	VOLVO	1739
1211126	7700648649	RENAULT	1182, 1184- 1185, 1198- 1199, 1229, 1240, 1242, 1249, 1260, 1270	1211150	3268834	VOLVO	1739
1211126	7700678649	RENAULT	1182, 1184- 1185, 1198- 1199, 1229, 1240, 1242, 1249, 1260, 1270	1211151	8962243	SAAB	1296, 1305
				1211156	BMH7113	ROVER GROUP	1280
				1211157	BAU2363	ROVER GROUP	1277-1278
				1211158	34001732	ROVER GROUP	1278
				1211159	34782322	ROVER GROUP	1278
				1211160	13H3101	ROVER GROUP	1274
				1211163	6182818	FORD	430, 477
				1211164	1610365	FORD	430, 480
				1211165	6869950	FORD	493
				1211166	5503495	CITROEN	299
				1211170	406632	CITROEN	242, 244, 296
				1211170	406632	PEUGEOT	1090
				1211170	9451076780	CITROEN	242, 244, 296
				1211171	95495914	CITROEN	254
				1211171	95604346	CITROEN	254
				1211172	95496072	CITROEN	254
				1211173	GX2411301A	CITROEN	287
				1211175	91510864	CITROEN	313
				1211177	406637	CITROEN	303
				1211177	96127397	CITROEN	303
				1211178	406629	CITROEN	305
				1211178	95639171	CITROEN	305
				1211180	1H0422831A	SEAT	1316
				1211180	1H0422831A	VOLKSWAGEN	1597, 1599, 1627, 1639, 1660
				1211180	357422831B	SEAT	1316
				1211180	357422831B	VOLKSWAGEN	1597, 1599, 1627, 1639, 1660
				1211180	6N0422831	SEAT	1316
				1211180	6N0422831	VOLKSWAGEN	1597, 1599, 1627, 1639, 1660
				1211181	4D0419831D	AUDI	49, 78

RIF. OCAP OCAP REF.	RIF. ORIG. O.E. NUMBER	MARCA MAKE	PAG.	RIF. OCAP OCAP REF.	RIF. ORIG. O.E. NUMBER	MARCA MAKE	PAG.
1211181	4D0419831D	SKODA	1388	1211250	900285	OPEL	1027, 1029
1211181	4D0419831D	VOLKSWAGEN	1641	1211250	900285	VAUXHALL	1553, 1555
1211182	1J0422831	AUDI	39	1211251	902829	OPEL	1015
1211182	1J0422831	SKODA	1373	1211252	1609076	OPEL	1015
1211182	1J0422831	VOLKSWAGEN	1575, 1601	1211253	1609068	OPEL	1015
1211183	7398680	FORD	451	1211254	1609096 *	OPEL	1061
1211183	7398680	SEAT	1307	1211254	1609096 *	VAUXHALL	1565
1211183	7398680	VOLKSWAGEN	1676	1211255	1609095 *	OPEL	1061
1211183	7M0422831B	FORD	451	1211255	1609095 *	VAUXHALL	1565
1211183	7M0422831B	SEAT	1307	1211256	406633	PEUGEOT	1090
1211183	7M0422831B	VOLKSWAGEN	1676	1211258	406634	PEUGEOT	1090
1211185	431419831	AUDI	64, 101, 121, 123	1211259	406609	PEUGEOT	1094, 1106
1211186	9943449	ALFA ROMEO	19	1211261	406627	PEUGEOT	1128
1211187	8D0419831	AUDI	49	1211262	406628	PEUGEOT	1128
1211187	8D0419831	SKODA	1388	1211263	406617	PEUGEOT	1139
1211187	8D0419831J	VOLKSWAGEN	1641	1211264	406641	PEUGEOT	1150
1211189	406648	CITROEN	296	1211267	7700774566	RENAULT	1265
1211189	406648	PEUGEOT	1090	1211268	GSV1161	ROVER GROUP	1284
1211190	7700064	FIAT	345	1211269	DBP7474	ROVER GROUP	1287
1211192	1012814	FORD	436, 438, 457, 473, 482	1211270	LHM3003	ROVER GROUP	1287
1211193	6772173	FORD	464	1211271	GSV1079 *	ROVER GROUP	1288, 1294
1211195	406642	PEUGEOT	1130, 1132, 1146	1211272	GSV1140 *	ROVER GROUP	1288
1211196	406630	PEUGEOT	1130, 1132, 1144, 1146	1211274	GRG150 *	ROVER GROUP	1292
1211197	6000025219	RENAULT	1253	1211286	7829861	SAAB	1296, 1305
1211198	6000025218	RENAULT	1253	1211287	175422831	VOLKSWAGEN	1578, 1594, 1637, 1663
1211199	6000025363	RENAULT	1203	1211287	191422831	VOLKSWAGEN	1578, 1594, 1637, 1663
1211205	6935233	FORD	436, 438, 457, 477	1211287	1H0422831B	SEAT	1327, 1329, 1355
1211208	406644	CITROEN	247, 249, 307, 309	1211287	1H0422831B	VOLKSWAGEN	1578, 1594, 1637, 1663
1211208	406644	PEUGEOT	1080, 1116	1211291	271554	VOLVO	1743
1211209	406643	CITROEN	247, 249, 307, 309	1211293	6758090	FORD	480
1211209	406643	PEUGEOT	1080, 1116	1211294	406636	CITROEN	242, 296
1211210	1684630196	MERCEDES	755	1211295	406650	CITROEN	244, 296
1211211	8D0419831K	AUDI	66, 69, 80	1211295	406650	PEUGEOT	1090
1211211	8D0419831K	VOLKSWAGEN	1644	1211299	406629	PEUGEOT	1146
1211212	4D0419831E	AUDI	66, 69, 80	1211300	1609109 *	OPEL	1018, 1020, 1068
1211212	4D0419831E	VOLKSWAGEN	1644	1211300	1609109 *	VAUXHALL	1543-1544
1211215	3904122	FORD	422, 466	1211300	1609113 **	OPEL	1018, 1020, 1068
1211217	36020076	ALFA ROMEO	19	1211300	1609113 **	VAUXHALL	1543-1544
1211221	60760026	ALFA ROMEO	14	1211301	7701469496 *	RENAULT	1179, 1184- 1185, 1198- 1199, 1214, 1262
1211221	60760026	FIAT	348, 386	1211306	406657	PEUGEOT	1097, 1119
1211221	60760026	LANCIA	667	1211307	406656	PEUGEOT	1097
1211223	36020064	ALFA ROMEO	14	1211309	400622 *	CITROEN	288
1211224	36020065	ALFA ROMEO	14	1211309	400622 *	PEUGEOT	1072
1211225	861419832	AUDI	102	1211310	4018A5	CITROEN	288
1211225	861419832	VOLKSWAGEN	1656, 1658	1211310	4018A5	FIAT	359
1211227	406630	CITROEN	303, 305	1211310	4018A5	PEUGEOT	1072
1211228	406634	CITROEN	242, 296	1211311	3043575	FORD	444
1211228	9451076880	CITROEN	242, 296	1211312	9946816 *	FIAT	370
1211234	9945564 *	FIAT	339, 380, 382	1211312	9946816 *	LANCIA	662, 664
1211234	9945564 *	LANCIA	670	1211327	8N0422831	AUDI	97
1211236	6177346	FORD	435	1211329	1J0422831B	SEAT	1340
1211236	6177347	FORD	435	1211329	1J0422831B	VOLKSWAGEN	1629
1211240	32131092876	BMW	164	1211331	9946947 *	FIAT	380
1211247	2108-3401224	LADA	645, 647-648, 650	1211334	7701469486 *	RENAULT	1213
1211247	21083401224	LADA	645, 647-648, 650	1211335	7701469487 *	RENAULT	1213
1211247	21103401224	LADA	645, 647-648, 650	1211337	1011665	FORD	479
				1211346	3904122	FORD	422, 463, 468

RIF. OCAP OCAP REF.	RIF. ORIG. O.E. NUMBER	MARCA MAKE	PAG.	RIF. OCAP OCAP REF.	RIF. ORIG. O.E. NUMBER	MARCA MAKE	PAG.
1211346	4119193	FORD	422, 463, 468				1613, 1616,
1211346	4775683	FORD	422, 463, 468				1619, 1647,
1211346	6772173	FORD	422, 463, 468				1652, 1673,
1211349	6E0419831	AUDI	37				1678, 1680,
1211349	6E0419831	SEAT	1331				1690, 1694
1211349	6E0419831	SKODA	1361, 1385	1211426	5C0423831	AUDI	42, 46, 89, 99
1211349	6E0419831	VOLKSWAGEN	1587, 1666	1211426	5C0423831	SEAT	1309, 1343, 1347
1211349	6Q0423831	AUDI	37	1211426	5C0423831	SKODA	1376, 1380, 1391
1211351	QEY100080	LAND ROVER	683	1211426	5C0423831	VOLKSWAGEN	1573, 1580, 1605, 1610, 1613, 1616, 1619, 1647, 1652, 1673, 1678, 1680, 1690, 1694
1211351	QEY100081	LAND ROVER	683				
1211369	2034602300 *	MERCEDES	768, 791, 836				
1211369	2034630396 *	MERCEDES	768, 791, 836				
1211371	GRG1157 *	ROVER GROUP	1293				
1211372	4701740	OPEL	1009				
1211372	4701740	VAUXHALL	1538				
1211373	5374V001000000	SMART	1399	1211429	7L0422831A	AUDI	94
1211373	5376V001000000	SMART	1399	1211429	7L0422831A	PORSCHE	1170
1211374	4914V002000000	SMART	1399	1211429	7L0422831A	VOLKSWAGEN	1571, 1685, 1688
1211375	406664	CITROEN	271				
1211375	406664	PEUGEOT	1148	1211429	95534719110	PORSCHE	1170
1211376	32136756757 *	MINI	856	1211430	7H0422831	VOLKSWAGEN	1705
1211377	4045250	FORD	438	1211431	4381841	FORD	485
1211378	32136751026 *	BMW	205	1211432	4E0419831	AUDI	82
1211379	1609121 *	OPEL	1031	1211432	4E0419831	VOLKSWAGEN	1654
1211379	1609121 *	VAUXHALL	1557	1211434	8E0419831B	AUDI	55
1211380	7079340 *	FIAT	371	1211435	8E0419831A	AUDI	55
1211382	8E0419831	AUDI	52, 55	1211436	4F0422831	AUDI	72
1211382	8E0419831	SEAT	1321	1211436	8E0419831C	AUDI	72
1211383	7081850 *	FIAT	371	1211445	5Z0422831	SKODA	1385
1211383	98845026 *	FIAT	371	1211445	5Z0422831	VOLKSWAGEN	1587
1211392	4501260 *	NISSAN	955	1211446	77363710	FIAT	351
1211392	4501260 *	OPEL	1049, 1051	1211457	05189417AA	JEEP	604
1211392	4501260 *	VAUXHALL	1561	1211458	1609153 *	OPEL	1020, 1068
1211392	77014-70361 *	NISSAN	955	1211458	1609153 *	VAUXHALL	1544
1211392	7701470361	RENAULT	1209, 1211	1211462	71742757	FIAT	390
1211400	2D0422831	VOLKSWAGEN	1624	1211466	1644600096 *	MERCEDES	806, 812
1211400	9014605500 *	MERCEDES	840, 845	1211467	8K0422831	AUDI	57, 91
1211401	406669 *	PEUGEOT	1086	1211469	77364341 *	FIAT	343
1211409	4330628	FORD	440	1211469	77364341 *	LANCIA	660
1211410	2204630296	MERCEDES	821	1211470	1546265 *	FIAT	377, 379, 415
1211411	6Q0423831D	AUDI	31, 37	1211470	1546265 *	FORD	459, 487
1211411	6Q0423831D	SEAT	1331, 1335	1211470	1546265 *	LANCIA	673
1211411	6Q0423831D	SKODA	1361, 1364, 1383, 1385	1211470	77362509 *	FIAT	377, 379, 415
1211411	6Q0423831D	VOLKSWAGEN	1587, 1666, 1669	1211470	77362509 *	FORD	459, 487
1211412	6Q0419831A	SKODA	1361	1211470	77362509 *	LANCIA	673
1211412	6Q0419831A	VOLKSWAGEN	1666	1211470	9S513K661AA *	FIAT	377, 379, 415
1211412	6Q0423831A	SEAT	1331	1211470	9S513K661AA *	FORD	459, 487
1211417	7701474447*	RENAULT	1217, 1256	1211470	9S513K661AA *	LANCIA	673
1211418	4143300035 **	MERCEDES	844	1211474	2214630296	MERCEDES	824
1211421	1251936	FORD	446, 449, 461, 486	1211477	406683 *	CITROEN	293
1211421	1328882	FORD	446, 449, 461, 486	1211477	406683 *	PEUGEOT	1076
1211421	1334215	FORD	446, 449, 461, 486	1211477	9404066838 *	FIAT	389
1211421	1714485	FORD	446, 449, 461, 486	1211481	2E0713115 *	VOLKSWAGEN	1583
1211426	1K0423831A	AUDI	42, 46, 89, 99	1211481	9064600096 *	MERCEDES	842
1211426	1K0423831A	SEAT	1309, 1343, 1347	1211483	77364571 *	CITROEN	295
1211426	1K0423831A	SKODA	1376, 1380, 1391	1211483	77364571 *	FIAT	365, 368
1211426	1K0423831A	VOLKSWAGEN	1573, 1580, 1605, 1610,	1211483	77364571 *	FORD	441
				1211483	77364571 *	PEUGEOT	1071
				1211582	4709165	OPEL	1010
				1211582	4709165	VAUXHALL	1539
				1211582	93193998	OPEL	1010
				1211582	93193998	VAUXHALL	1539
				1211583	4709117	OPEL	1010
				1211583	4709117	VAUXHALL	1539

RIF. OCAP OCAP REF.	RIF. ORIG. O.E. NUMBER	MARCA MAKE	PAG.	RIF. OCAP OCAP REF.	RIF. ORIG. O.E. NUMBER	MARCA MAKE	PAG.
1211584	406685 *	CITROEN	253, 264	1214013	4240587	FIAT	406, 408
1211584	406685 *	PEUGEOT	1085, 1121	1214013	4240587	SEAT	1323
1211585	4154600096 *	MERCEDES	839	1214013	4240587	ZASTAVA	1746
1211585	4154600096 *	RENAULT	1201	1214019	83398688	FIAT	350
1211585	7701478400 *	MERCEDES	839	1214019	83398688	LANCIA	668
1211585	7701478400 *	RENAULT	1201	1214019	8953896	SAAB	1306
1211586	482036715R *	RENAULT	1195, 1219, 1257	1214021	1631619	FORD	494
1211589	4408476 *	OPEL	1065, 1067	1214022	7695185 *	CITROEN	280
1211589	4408476 *	VAUXHALL	1570	1214022	7695185 *	FIAT	358
1211589	48203-00QAE *	NISSAN	954	1214022	7695185 *	PEUGEOT	1078
1211589	7701473334 *	RENAULT	1267, 1269	1214026	6N0411313	VOLKSWAGEN	1628
1211590	77365222 *	FIAT	356	1214027	6N0411313A	VOLKSWAGEN	1628
1211601	406670 *	CITROEN	276	1214028	7700835929	RENAULT	1187
1211601	406670 *	PEUGEOT	1151	1214029	7700798053	RENAULT	1183
1211601	77362281 *	FIAT	399	1214033	60502779	ALFA ROMEO	19
1211601	77362281 *	LANCIA	666	1214045	60724229	ALFA ROMEO	21
1211604	77364254 *	CITROEN	290	1214051	1J0411314M	AUDI	98
1211604	77364254 *	FIAT	361	1214051	1J0411314R	AUDI	98
1211604	77364254 *	PEUGEOT	1074	1214052	1J0411314C	VOLKSWAGEN	1630
1211605	32106778560 *	MINI	859	1214064	2D0411041A	VOLKSWAGEN	1625
1211606	406680 *	CITROEN	261	1214064	9013230285	MERCEDES	841
1211606	406680 *	PEUGEOT	1100	1214065	823411327B	AUDI	107, 109, 112
1211607	7701477822 *	RENAULT	1272	1214065	823411327B	VOLKSWAGEN	1634
1211608	77362504 *	FIAT	367	1214071	509480	PEUGEOT	1099
1211608	77362504 *	LANCIA	665	1214072	509482	PEUGEOT	1099
1211609	6394600096 *	MERCEDES	847	1214073	509495	PEUGEOT	1099
1211609	6394600196 *	MERCEDES	847	1214074	31351132786	BMW	163, 187, 196
1211610	13354440 *	CHEVROLET - DAEWOO 231		1214075	33551131155	BMW	144, 163, 187
1211610	1609028 *	OPEL	1022, 1070	1214086	8200852550	DACIA	317
1211611	13271036 *	SAAB	1303	1214087	6001547140	DACIA	318
1211611	1609357 *	OPEL	1037	1214087	6001549311	DACIA	318
1211611	1609357 *	SAAB	1303	1214089	1J0411314G	AUDI	41, 98
1211614	406697 *	CITROEN	258	1214089	1J0411314G	SEAT	1342
1211617	7701471141*	RENAULT	1184-1185, 1262	1214089	1J0411314G	SKODA	1375
1211622	77362382 *	LANCIA	672	1214089	1J0411314G	VOLKSWAGEN	1577, 1603, 1630
1211628	1S0423831A	SEAT	1352	1214089	1J0411314T	AUDI	41, 98
1211628	1S0423831A	SKODA	1358	1214089	1J0411314T	SEAT	1342
1211628	1S0423831A	VOLKSWAGEN	1707	1214089	1J0411314T	SKODA	1375
1211629	0902010 *	OPEL	1022	1214089	1J0411314T	VOLKSWAGEN	1577, 1603, 1630
1211629	13278357 *	CHEVROLET - DAEWOO 231		1214091	2D0411041B	VOLKSWAGEN	1625
1211629	13278357 *	OPEL	1022	1214091	9043230085	MERCEDES	841
1211632	97034719100	PORSCHE	1176	1214092	6Q0411314J	AUDI	38
1211633	2044630296	MERCEDES	794	1214092	6Q0411314J	SEAT	1334, 1337, 1353
1214001	4331968	CITROEN	280	1214092	6Q0411314J	SKODA	1359, 1363, 1365, 1384
1214001	4331968	FIAT	358, 410	1214092	6Q0411314J	VOLKSWAGEN	1588, 1668, 1670, 1708
1214001	4331968	PEUGEOT	1078	1214092	6Q0411314L	AUDI	38
1214002	4292059	AUTOBIANCHI	125	1214092	6Q0411314L	SEAT	1334, 1337, 1353
1214002	4292059	FIAT	405, 407	1214092	6Q0411314L	SKODA	1359, 1363, 1365, 1384
1214002	4292059	ZASTAVA	1746	1214092	6Q0411314L	VOLKSWAGEN	1588, 1668, 1670, 1708
1214003	4288726	AUTOBIANCHI	127	1214092	6Q0411314P	AUDI	38
1214003	4288726	FIAT	376	1214092	6Q0411314P	SEAT	1334, 1337, 1353
1214003	4402672 *	SEAT	1351	1214092	6Q0411314P	SKODA	1359, 1363, 1365, 1384
1214005	1487654	FORD	426	1214092	6Q0411314P	VOLKSWAGEN	1588, 1668, 1670, 1708
1214005	4402362	FIAT	363, 386, 408	1214092	6Q0411314P	AUDI	38
1214005	4402362	SEAT	1324, 1354	1214092	6Q0411314P	SEAT	1334, 1337, 1353
1214005	7558961	FIAT	363, 386, 408	1214092	6Q0411314P	SKODA	1359, 1363, 1365, 1384
1214005	7558961	SEAT	1324, 1354	1214092	6Q0411314P	VOLKSWAGEN	1588, 1668, 1670, 1708
1214006	1412951	FORD	426, 484	1214093	2D0511413A	VOLKSWAGEN	1625
1214010	191407181A	VOLKSWAGEN	1594	1214093	9013260081	MERCEDES	841
1214010	191407181B	VOLKSWAGEN	1594				
1214010	191407182	VOLKSWAGEN	1594				
1214010	357407182	VOLKSWAGEN	1594				
1214013	4240587	AUTOBIANCHI	126				

RIF. OCAP OCAP REF.	RIF. ORIG. O.E. NUMBER	MARCA MAKE	PAG.	RIF. OCAP OCAP REF.	RIF. ORIG. O.E. NUMBER	MARCA MAKE	PAG.	
1214094	7200957	FORD	452	1214117	0350159	OPEL	1064	
1214094	7M0411031	SEAT	1307	1214117	350148	OPEL	1064	
1214094	7M0411031	VOLKSWAGEN	1676	1214117	350159	OPEL	1064	
1214095	6383230285	MERCEDES	842, 846, 848	1214118	509474	PEUGEOT	1133	
1214096	8Z0411314B	AUDI	38	1214119	509475	PEUGEOT	1133	
1214096	8Z0411314B	SKODA	1363	1214120	4A0411327A	AUDI	64, 123	
1214096	8Z0411314B	VOLKSWAGEN	1668	1214121	443411327	AUDI	122	
1214097	044199	OPEL	1017, 1062	1054,	1214123	FORD	423, 464, 467, 479	
1214097	044199	VAUXHALL	1566	1214123	6714195	FORD	423, 464, 467, 479	
1214097	0444153	OPEL	1017, 1062	1054,	1214124	861407183	VOLKSWAGEN	1657
1214097	0444153	VAUXHALL	1566	1214125	4D0411327E	AUDI	51, 62, 79	
1214097	444153	OPEL	1017, 1062	1054,	1214125	4D0411327E	VOLKSWAGEN	1643
1214097	444153	VAUXHALL	1566	1214125	4D0411327G	AUDI	51, 62, 79	
1214097	444199	OPEL	1017, 1062	1054,	1214125	4D0411327G	SKODA	1390
1214097	444199	VAUXHALL	1566	1214125	4D0411327G	VOLKSWAGEN	1643	
1214098	0350130	OPEL	1019, 1062	1032,	1214126	4D0411327F	SKODA	1390
1214098	0350130	VAUXHALL	1566	1214126	4D0411327F	VOLKSWAGEN	1643, 1646	
1214098	350130	OPEL	1019, 1062	1032,	1214126	4D0411327H	AUDI	51, 64, 68, 71, 79, 81, 92
1214098	350130	VAUXHALL	1566	1214126	4D0411327H	SKODA	1390	
1214098	4686820	SAAB	1302	1214126	4D0411327H	VOLKSWAGEN	1643, 1646	
1214098	90468567	SAAB	1302	1214127	251411041C	VOLKSWAGEN	1700	
1214099	1001713	FORD	452	1214128	1J0411314P	AUDI	41, 98	
1214099	7M0511413A	SEAT	1308	1214128	1J0411314P	SKODA	1375	
1214099	7M0511413A	VOLKSWAGEN	1677	1214128	1J0411314P	VOLKSWAGEN	1577, 1603	
1214100	0444160	OPEL	1064	1214129	4D0411327J	AUDI	53, 56, 73	
1214100	24457385	SAAB	1300	1214129	4D0411327J	SEAT	1321	
1214100	444160	OPEL	1064	1214130	1K0511327AE	AUDI	45, 100	
1214101	7700785788	RENAULT	1187, 1216, 1241, 1263	1200,	1214130	1K0511327AE	SEAT	1346
1214102	7700784171	RENAULT	1187, 1216	1214130	1K0511327AE	SKODA	1379, 1393	
1214103	7144204	FORD	465, 467	1214130	1K0511327AE	VOLKSWAGEN	1609, 1618, 1675, 1682, 1693, 1695	
1214104	7144202	FORD	423, 465, 467	1214130	1K0511327AP	AUDI	45, 100	
1214105	701411041	VOLKSWAGEN	1702, 1704	1214130	1K0511327AP	SEAT	1346	
1214106	6521812	FORD	494	1214130	1K0511327AP	SKODA	1379, 1393	
1214107	7700428738	RENAULT	1216	1214130	1K0511327AP	VOLKSWAGEN	1609, 1618, 1675, 1682, 1693, 1695	
1214108	350138	OPEL	1019	1214131	1K0511327AR	AUDI	45	
1214109	701411045	VOLKSWAGEN	1702, 1704	1214131	1K0511327AR	SEAT	1346	
1214109	7D0411045	VOLKSWAGEN	1702, 1704	1214131	1K0511327AR	SKODA	1379, 1393	
1214110	350140	OPEL	1019	1214131	1K0511327AR	VOLKSWAGEN	1609, 1618, 1651, 1675, 1682, 1693, 1695	
1214111	350104	OPEL	1032	1214133	1J0411314S	AUDI	41, 98	
1214112	1H0411314	VOLKSWAGEN	1579, 1598, 1600, 1664	1595,	1214133	1J0411314S	SKODA	1375
1214112	1H0411314E	SEAT	1328, 1330	1214133	1J0411314S	VOLKSWAGEN	1577, 1603	
1214113	509459	CITROEN	243, 298	1214135	6Q0411314M	AUDI	32	
1214113	509459	PEUGEOT	1091	1214135	6Q0411314M	SEAT	1334, 1337	
1214114	0350145	OPEL	1064	1214135	6Q0411314M	SKODA	1363, 1384, 1365, 1384	
1214114	0350160	OPEL	1064	1214135	6Q0411314M	VOLKSWAGEN	1668, 1670	
1214114	13131232	SAAB	1300	1214135	6Q0411314Q	AUDI	32	
1214114	350145	OPEL	1064	1214135	6Q0411314Q	SEAT	1334, 1337	
1214114	350160	OPEL	1064	1214135	6Q0411314Q	SKODA	1363, 1384, 1365, 1384	
1214114	71740109	FIAT	351	1214135	6Q0411314Q	VOLKSWAGEN	1668, 1670	
1214114	71746346	FIAT	351	1214136	7700428665	RENAULT	1216	
1214114	9191188	SAAB	1300	1214137	893411327E	AUDI	87, 112	
1214115	0444200	OPEL	1062	1214138	6521811	FORD	494	
1214115	444200	OPEL	1062					
1214116	7700760130	RENAULT	1216, 1241					
1214116	7700784170	RENAULT	1216, 1241					
1214117	0350148	OPEL	1064					

RIF. OCAP OCAP REF.	RIF. ORIG. O.E. NUMBER	MARCA MAKE	PAG.	RIF. OCAP OCAP REF.	RIF. ORIG. O.E. NUMBER	MARCA MAKE	PAG.
1214139	4A0411327F	AUDI	64, 123	1214182	46790552	FIAT	355, 394
1214141	8K0411327B	AUDI	62, 75, 77	1214183	1634901	FORD	429
1214142	1J0411314AC	AUDI	41, 98	1214184	1634900	FORD	429
1214142	1J0411314AC	SEAT	1342	1214185	1003609	FORD	437, 439, 458, 482
1214142	1J0411314AC	VOLKSWAGEN	1577, 1603	1214186	6150977	FORD	489, 491-492
1214143	8K0411327A	AUDI	59	1214187	1073249	FORD	445
1214144	1K0511327AQ	AUDI	45	1214188	1116602	FORD	468
1214144	1K0511327AQ	SEAT	1346	1214188	1118695	FORD	468
1214144	1K0511327AQ	SKODA	1379, 1393	1214188	1307891	FORD	468
1214144	1K0511327AQ	VOLKSWAGEN	1609, 1618, 1651, 1675, 1679, 1682, 1693	1214189	1124418	FORD	469
1214145	1K0511327A	AUDI	85	1214190	1119588	FORD	469
1214145	1K0511327AS	AUDI	85	1214191	1152852	FORD	440
1214146	31351133738	BMW	163	1214192	4041489	FORD	496
1214147	31351097021	BMW	206	1214193	1528314	FORD	442
1214148	31351093108	BMW	165	1214194	2013261481	MERCEDES	764
1214148	31351094145	BMW	165	1214196	1403231085	MERCEDES	819
1214149	33551138104	BMW	144, 147, 163, 215	1214197	1403230985	MERCEDES	787, 819
1214150	31351095271	BMW	146	1214198	6013260482	MERCEDES	854
1214151	33551093663	BMW	165	1214199	6023260882	MERCEDES	854
1214152	31351094556	BMW	146, 215	1214200	1243233785	MERCEDES	763, 784
1214153	31351094554	BMW	146	1214201	1233230585	MERCEDES	754
1214154	31351097179	BMW	146	1214202	2033261281	MERCEDES	770
1214155	31351094555	BMW	146	1214203	1243234985	MERCEDES	763, 766, 784, 834
1214156	31356765574	BMW	131, 152, 216	1214204	6023260282	MERCEDES	854
1214157	31356761591	BMW	169	1214205	6023210050	MERCEDES	854
1214158	31356763267	BMW	191	1214205	6023210250	MERCEDES	854
1214159	31351093263	BMW	165	1214205	6023210350	MERCEDES	854
1214160	31351091555	BMW	189	1214205	6023210450	MERCEDES	854
1214161	33551096893	BMW	207	1214206	6023260482	MERCEDES	854
1214162	31356769714	BMW	152	1214207	1243232485	MERCEDES	766, 784, 834
1214162	31356773512	BMW	152	1214208	6113260081	MERCEDES	854
1214163	31356770003	BMW	169	1214209	2013234985	MERCEDES	763, 784
1214164	31356764113	BMW	169, 179	1214210	1243234185	MERCEDES	766, 779, 784
1214165	31351090860	BMW	144, 213	1214210	1243235685	MERCEDES	766, 779, 784
1214165	31351091228	BMW	144, 213	1214211	1243232785	MERCEDES	763, 784
1214166	31351090268	BMW	144, 213	1214211	1243235085	MERCEDES	763, 784
1214167	31351090186	BMW	144, 213	1214212	2103231485	MERCEDES	787
1214168	31351090263	BMW	144, 213	1214212	1403231985	MERCEDES	787
1214169	31351090300	BMW	144, 213	1214213	1403231485	MERCEDES	819
1214170	33536765584	BMW	132, 153	1214214	1403231485	MERCEDES	819
1214172	509477	CITROEN	248, 308	1214215	1243235485	MERCEDES	766, 779, 784, 834
1214172	509477	PEUGEOT	1082	1214216	2023230285	MERCEDES	766, 779
1214173	509488	CITROEN	262	1214217	1243233385	MERCEDES	784
1214173	509488	PEUGEOT	1120-1121	1214217	1243235185	MERCEDES	784
1214173	5094E0	CITROEN	262	1214218	1243232685	MERCEDES	784
1214173	5094E0	PEUGEOT	1120-1121	1214218	1243233185	MERCEDES	784
1214174	509497	CITROEN	257	1214218	1243234285	MERCEDES	784
1214175	5094A1	CITROEN	273	1214218	1243234585	MERCEDES	784
1214175	5094A1	PEUGEOT	1136	1214219	1243231885	MERCEDES	784
1214176	509499	CITROEN	273, 275	1214219	1243233085	MERCEDES	784
1214176	509499	PEUGEOT	1136	1214219	1243233885	MERCEDES	784
1214177	509496	CITROEN	257	1214219	1243234485	MERCEDES	784
1214178	5094E5	CITROEN	295	1214220	1293230185	MERCEDES	766, 787, 799
1214178	5094E5	PEUGEOT	1071	1214221	2033230685	MERCEDES	769
1214178	51785488	FIAT	365	1214221	2033232085	MERCEDES	769
1214179	5094A8	CITROEN	255	1214222	9013230185	MERCEDES	841
1214179	5094A8	PEUGEOT	1092	1214223	2D0511413B	VOLKSWAGEN	1584, 1625
1214180	5094A0	CITROEN	273	1214223	9043260881	MERCEDES	841, 843
1214180	5094A0	PEUGEOT	1136, 1141, 1143	1214224	2033230585	MERCEDES	769
1214182	46738807	FIAT	355, 394	1214224	2033232185	MERCEDES	769
				1214225	1683230385	MERCEDES	755
				1214226	2D0511413D	VOLKSWAGEN	1625
				1214226	9043261081	MERCEDES	841

RIF. OCAP OCAP REF.	RIF. ORIG. O.E. NUMBER	MARCA MAKE	PAG.	RIF. OCAP OCAP REF.	RIF. ORIG. O.E. NUMBER	MARCA MAKE	PAG.
1214227	1243260081	MERCEDES	767, 780				1387
1214228	2D0511413C	VOLKSWAGEN	1584, 1625	1214262	6Q0411314R	VOLKSWAGEN	1668, 1670
1214228	9043260981	MERCEDES	841, 843	1214263	6Q0411314F	SKODA	1363
1214229	2033260081	MERCEDES	770	1214263	6Q0411314F	VOLKSWAGEN	1668
1214230	2033260181	MERCEDES	770	1214264	291411045	VOLKSWAGEN	1622-1623
1214231	2033260281	MERCEDES	770	1214265	357411313	VOLKSWAGEN	1638
1214232	2033260381	MERCEDES	770	1214266	357411313A	VOLKSWAGEN	1638
1214233	2033260881	MERCEDES	770	1214267	357411314	VOLKSWAGEN	1638
1214234	31356757146	MINI	857, 860	1214268	357411314A	VOLKSWAGEN	1638
1214235	31356757069	MINI	857	1214269	281411041	VOLKSWAGEN	1622-1623
1214236	31356772843	MINI	860	1214270	701411041D	VOLKSWAGEN	1702, 1704
1214237	33556756151	MINI	858, 860	1214271	7H0411313	VOLKSWAGEN	1706
1214238	33556754823	MINI	860	1214272	7H5511414	VOLKSWAGEN	1706
1214239	350117	OPEL	1021	1214274	7H5411313B	VOLKSWAGEN	1706
1214240	1348231	FORD	447	1214275	7H5411313A	VOLKSWAGEN	1706
1214241	1345913	FORD	448	1214276	7D1411041	VOLKSWAGEN	1702, 1704
1214241	30714683	VOLVO	1723	1214277	RBX500280	LAND ROVER	694
1214242	0350116	OPEL	1054	1214278	RGX500070	LAND ROVER	694
1214242	350116	OPEL	1054	1214287	54813-1W100	KIA	634
1214243	0444325	OPEL	1017, 1054	1214288	54813-1Y000	KIA	629
1214243	0444336	OPEL	1017, 1054	1214289	XR819697	JAGUAR	593-594, 598
1214243	444325	OPEL	1017, 1054	1214290	54613-1AA0A	NISSAN	952
1214243	444336	OPEL	1017, 1054	1214290	54613-1AA0B	NISSAN	952
1214244	0350147	OPEL	1056	1214290	54613-JN20A	NISSAN	952
1214244	350147	OPEL	1056	1214290	54613-JN20E	NISSAN	952
1214245	0350161	OPEL	1021, 1032, 1044	1214291	56243-1AA0A	NISSAN	952
1214245	350161	OPEL	1021, 1032, 1044	1214291	56243-1AT0A	NISSAN	952
1214246	0350086	OPEL	1062	1214292	2H0411313B	VOLKSWAGEN	1572
1214246	350086	OPEL	1062	1214292	2H0411313C	VOLKSWAGEN	1572
1214247	0444161	OPEL	1064	1214296	1K0411303AL *	AUDI	43
1214247	24457386	SAAB	1300	1214296	1K0411303AL *	SEAT	1344
1214247	444161	OPEL	1064	1214296	1K0411303AL *	SKODA	1378, 1392
1214247	71740113	FIAT	352	1214296	1K0411303AL *	VOLKSWAGEN	1607, 1617, 1649, 1674, 1681, 1691, 1694
1214248	0444162	OPEL	1064	1214296	1K0411303AM *	AUDI	43
1214248	24457843	SAAB	1300	1214296	1K0411303AM *	SEAT	1344
1214248	444162	OPEL	1064	1214296	1K0411303AM *	SKODA	1378, 1392
1214249	509463	PEUGEOT	1115	1214296	1K0411303AM *	VOLKSWAGEN	1607, 1617, 1649, 1674, 1681, 1691, 1694
1214250	517229	PEUGEOT	1145, 1147, 1149				
1214250	517247	PEUGEOT	1145, 1147, 1149				
1214251	509487	PEUGEOT	1120-1121	1214296	1K0411303BK *	AUDI	43
1214252	7700667186	RENAULT	1266	1214296	1K0411303BK *	SEAT	1344
1214253	7700797821	RENAULT	1191	1214296	1K0411303BK *	SKODA	1378, 1392
1214254	7704001091	RENAULT	1266	1214296	1K0411303BK *	VOLKSWAGEN	1607, 1617, 1649, 1674, 1681, 1691, 1694
1214255	8200272594	RENAULT	1204				
1214256	7701056678	RENAULT	1188, 1256, 1218	1214298	2E0411041C	MERCEDES	842
1214257	8200024373	RENAULT	1271	1214298	2E0411041C	VOLKSWAGEN	1583
1214258	7700428666	RENAULT	1216, 1255	1214298	9063231485	MERCEDES	842
1214258	8200150759	RENAULT	1216, 1255	1214298	9063231485	VOLKSWAGEN	1583
1214259	7700314855	RENAULT	1200	1214298	9063233585	MERCEDES	842
1214260	8200554863	RENAULT	1272	1214298	9063233585	VOLKSWAGEN	1583
1214261	8953986	SAAB	1306	1214300	2K0511413A	VOLKSWAGEN	1609
1214262	6Q0411314E	SEAT	1334, 1337	1214300	2K0511413C	VOLKSWAGEN	1609
1214262	6Q0411314E	SKODA	1365, 1387, 1384	1214300	2K0511413D	VOLKSWAGEN	1609
1214262	6Q0411314E	VOLKSWAGEN	1668, 1670	1215001	1163336314	MERCEDES	753, 814
1214262	6Q0411314N	SEAT	1334, 1337	1215002	31121116493	BMW	138, 158
1214262	6Q0411314N	SKODA	1365, 1387, 1384	1215002	31121119260	BMW	138, 158
1214262	6Q0411314N	VOLKSWAGEN	1668, 1670	1215003	31121123037	BMW	138
1214262	6Q0411314R	SEAT	1334, 1337	1215004	31121112902	BMW	128, 158
1214262	6Q0411314R	SKODA	1365, 1384	1215007	352317	PEUGEOT	1106-1107
				1215008	352326	PEUGEOT	1106-1107

RIF. OCAP OCAP REF.	RIF. ORIG. O.E. NUMBER	MARCA MAKE	PAG.	RIF. OCAP OCAP REF.	RIF. ORIG. O.E. NUMBER	MARCA MAKE	PAG.
1215009	3523.20	PEUGEOT	1087-1088, 1096	1215039	191407182	AUDI	31-32, 34-35, 40, 97
1215009	352320	CITROEN	278, 294, 299- 300	1215039	191407182	SEAT	1311-1312, 1327, 1329, 1333, 1335- 1336, 1338- 1339, 1341, 1352, 1356
1215009	3523-20	PEUGEOT	1087-1088, 1096	1215039	191407182	SKODA	1358, 1362, 1364, 1366, 1374, 1383, 1386
1215009	352320	PEUGEOT	1087-1088, 1096	1215039	191407182	VOLKSWAGEN	1575, 1578, 1594-1595, 1597, 1600, 1602, 1629, 1637, 1640, 1663, 1667, 1669, 1671- 1672, 1707
1215009	352320	TALBOT	1446	1215039	357407182	AUDI	31-32, 34-35, 40, 97
1215009	7700586241 *	RENAULT	1232, 1234	1215039	357407182	SEAT	1311-1312, 1327, 1329, 1333, 1335- 1336, 1338- 1339, 1341, 1352, 1356
1215010	3523.14	PEUGEOT	1087-1088	1215039	357407182	SKODA	1358, 1362, 1364, 1366, 1374, 1383, 1386
1215010	352314	CITROEN	278, 294, 299- 300	1215039	357407182	VOLKSWAGEN	1575, 1578, 1594-1595, 1597, 1600, 1602, 1629, 1637, 1640, 1663, 1667, 1669, 1671- 1672, 1707
1215010	352314	PEUGEOT	1087-1088	1215039	357407182	AUDI	31-32, 34-35, 40, 97
1215010	352314	TALBOT	1446	1215039	357407182	SEAT	1311-1312, 1327, 1329, 1333, 1335- 1336, 1338- 1339, 1341, 1352, 1356
1215010	7700586466 *	RENAULT	1232, 1234	1215039	357407182	SKODA	1358, 1362, 1364, 1366, 1374, 1383, 1386
1215011	1619120	FORD	427, 429, 432, 481	1215039	357407182	VOLKSWAGEN	1575, 1578, 1594-1595, 1597, 1600, 1602, 1629, 1637, 1640, 1663, 1667, 1669, 1671- 1672, 1707
1215011	3240198	FORD	427, 429, 432, 481	1215040	1263333814	MERCEDES	816
1215011	6087890	FORD	427, 429, 432, 481	1215042	3523-23	CITROEN	302
1215012	352325	CITROEN	278, 300	1215042	352323	CITROEN	302
1215012	352325	PEUGEOT	1096	1215042	352323	PEUGEOT	1096, 1109, 1111, 1113, 1126
1215012	352327	CITROEN	278, 300	1215043	1652910	FORD	429
1215012	352327	PEUGEOT	1096	1215043	5021661	FORD	429
1215012	352349	CITROEN	278, 300	1215043	6107025	FORD	429
1215012	352349	PEUGEOT	1096	1215044	352340	PEUGEOT	1129, 1131
1215013	6192705	FORD	478, 484	1215045	3523.24	PEUGEOT	1109, 1111, 1113
1215014	3523-31	CITROEN	302	1215045	352324	PEUGEOT	1109, 1111, 1113
1215014	352331	CITROEN	302	1215046	352342	PEUGEOT	1129, 1131
1215014	352331	PEUGEOT	1096, 1126	1215046	352354	PEUGEOT	1129, 1131
1215017	1656752	FORD	431, 478, 481	1215046	352389	PEUGEOT	1129, 1131
1215017	5021729	FORD	431, 478, 481	1215049	352807	PEUGEOT	1109, 1111, 1113
1215017	6144628	FORD	431, 478, 481	1215050	352806	PEUGEOT	1109, 1111, 1113
1215018	31121124622	BMW	160, 162, 169, 179, 186, 191, 202, 206	1215052	1243524365	MERCEDES	764, 766, 769, 780, 784, 787, 790, 808, 810, 813, 829, 835, 837
1215018	31126767651	BMW	160, 162, 169, 179, 186, 191, 202, 206	1215052	2013528865	MERCEDES	764, 766, 769, 780, 784, 787, 790, 808, 810, 813, 829, 835,
1215026	7601064	FIAT	341, 395-396				
1215026	7601064	LANCIA	652-653, 658- 659				
1215027	7601068	ALFA ROMEO	2, 4-5, 8, 27				
1215027	7601068	FIAT	341, 347, 369, 395-396				
1215027	7601068	LANCIA	652-653, 658- 659				
1215028	7601065	ALFA ROMEO	2, 4-5, 8, 27				
1215028	7601065	FIAT	341, 347, 369, 395-396				
1215028	7601065	LANCIA	652-653, 658- 659				
1215029	7673581	FIAT	339, 345, 380, 401				
1215029	7673581	LANCIA	670				
1215030	5927293	FIAT	345, 401				
1215030	7673582	FIAT	345, 401				
1215035	7700540384	RENAULT	1231				
1215035	7701453465	RENAULT	1231				
1215035	7702246306	RENAULT	1231				
1215036	171407181A	VOLKSWAGEN	1592				
1215037	171407182D	VOLKSWAGEN	1592				
1215037	171407182E	VOLKSWAGEN	1592				
1215038	171411314	VOLKSWAGEN	1592, 1595				
1215038	171411314A	VOLKSWAGEN	1592, 1595				

RIF. OCAP OCAP REF.	RIF. ORIG. O.E. NUMBER	MARCA MAKE	PAG.	RIF. OCAP OCAP REF.	RIF. ORIG. O.E. NUMBER	MARCA MAKE	PAG.
			837	1215111	31121118131	BMW	184
1215058	352351	CITROEN	243, 297	1215111	31121127385	BMW	184
1215058	352351	PEUGEOT	1090	1215112	352353	CITROEN	244-245, 297-298
1215058	96106474	CITROEN	243, 297	1215112	352353	PEUGEOT	1091
1215058	96106474	PEUGEOT	1090	1215113	95494716	CITROEN	254
1215060	191407181D	SEAT	1327, 1329, 1356	1215113	95563797	CITROEN	254
1215060	191407181D	VOLKSWAGEN	1578, 1595, 1597, 1600, 1637, 1640, 1663	1215114	95494717	CITROEN	254
1215060	191407181E	SEAT	1327, 1329, 1356	1215114	95563798	CITROEN	254
1215060	191407181E	VOLKSWAGEN	1578, 1595, 1597, 1600, 1637, 1640, 1663	1215119	1000445	FORD	431, 433-435, 457-458, 482
1215084	31121118682	BMW	184	1215120	1035929	FORD	431, 433-435, 457-458, 482
1215084	31129058820	BMW	184	1215122	1163330117	MERCEDES	753, 814, 816
1215089	2103503306 *	MERCEDES	764, 767, 770, 780, 785, 788, 830, 835, 837	1215122	1163334014	MERCEDES	753, 814, 816
1215090	4194718	ALFA ROMEO	14-15	1215125	352301	OPEL	1028, 1030
1215090	4194718	FIAT	349	1215125	352301	VAUXHALL	1554, 1556
1215090	4194718	LANCIA	668	1215126	352330	CHEVROLET - DAEWOO	223
1215090	4194718	SAAB	1306	1215126	352330	OPEL	1043
1215090	60510361	ALFA ROMEO	14-15	1215126	352330	VAUXHALL	1541
1215090	60510361	FIAT	349	1215126	352334	CHEVROLET - DAEWOO	223
1215090	60510361	LANCIA	668	1215126	352334	OPEL	1043
1215090	60510361	SAAB	1306	1215126	352334	VAUXHALL	1541
1215090	60801371	ALFA ROMEO	14-15	1215127	352335	CHEVROLET - DAEWOO	223
1215090	60801371	FIAT	349	1215127	352335	OPEL	1043
1215090	60801371	LANCIA	668	1215127	352335	VAUXHALL	1541
1215090	60801371	SAAB	1306	1215127	352338	CHEVROLET - DAEWOO	223
1215090	60808044	ALFA ROMEO	14-15	1215127	352338	OPEL	1043
1215090	60808044	FIAT	349	1215127	352338	VAUXHALL	1541
1215090	60808044	LANCIA	668	1215128	352300	OPEL	1016
1215090	60808044	SAAB	1306	1215128	352300	VAUXHALL	1542
1215090	82388433	ALFA ROMEO	14-15	1215129	352348	OPEL	1016
1215090	82388433	FIAT	349	1215129	352348	VAUXHALL	1542
1215090	82388433	LANCIA	668	1215129	352356	OPEL	1016
1215090	82388433	SAAB	1306	1215129	352356	VAUXHALL	1542
1215090	8965252	ALFA ROMEO	14-15	1215129	90495046	OPEL	1016
1215090	8965252	FIAT	349	1215129	90495046	VAUXHALL	1542
1215090	8965252	LANCIA	668	1215134	7700772687	RENAULT	1251
1215090	8965252	SAAB	1306	1215135	7701348040	RENAULT	1231, 1237
1215090	8965253	ALFA ROMEO	14-15	1215136	7705040002	RENAULT	1237, 1239
1215090	8965253	FIAT	349	1215139	7700819929	RENAULT	1271
1215090	8965253	LANCIA	668	1215140	7700819928	RENAULT	1271
1215090	8965253	SAAB	1306	1215141	7700789477	RENAULT	1215-1216, 1243, 1254
1215091	6N0407181	SEAT	1313, 1316	1215144	352359	CITROEN	247-250, 252, 307-310, 312, 314
1215091	6N0407181	VOLKSWAGEN	1627, 1661-1662	1215144	352359	PEUGEOT	1080-1081, 1083-1084, 1114-1117
1215092	4404623	AUTOBIANCHI	126	1215144	352375	CITROEN	247-250, 252, 307-310, 312, 314
1215092	4404623	FIAT	363, 406	1215144	352375	PEUGEOT	1080-1081, 1083-1084, 1114-1117
1215092	4434652	AUTOBIANCHI	126	1215145	96110483	CITROEN	247-252, 307-312, 314
1215092	4434652	FIAT	363, 406	1215145	96110483	PEUGEOT	1080-1084, 1114-1117
1215094	7700781463	RENAULT	1191	1215146	6N0407182	SEAT	1313, 1316
1215095	7701348038	RENAULT	1231, 1237	1215146	6N0407182	VOLKSWAGEN	1627, 1661-1662
1215096	7700799064	RENAULT	1183	1215147	95603346	CITROEN	242
1215097	7700799065	RENAULT	1183	1215147	96133255	CITROEN	242
1215098	7700789478	RENAULT	1215, 1241	1215150	101525	ALFA ROMEO	18
1215100	7700754515	RENAULT	1251	1215150	60502771	ALFA ROMEO	18
1215101	31121117025	BMW	184				
1215108	431407183A	AUDI	101, 120, 122				
1215110	431407181F	AUDI	101, 120, 122				

RIF. OCAP OCAP REF.	RIF. ORIG. O.E. NUMBER	MARCA MAKE	PAG.	RIF. OCAP OCAP REF.	RIF. ORIG. O.E. NUMBER	MARCA MAKE	PAG.
1215152	4D0407181F	AUDI	49-50, 66, 69-70, 78, 80	1215161	823407181	AUDI	105
1215152	4D0407181F	SKODA	1388	1215161	823407181	VOLKSWAGEN	1632
1215152	4D0407181F	VOLKSWAGEN	1641, 1644	1215162	857407181	AUDI	109, 111, 113, 115
1215152	4D0407181H	AUDI	49-50, 66, 69-70, 78, 80	1215162	857407181	VOLKSWAGEN	1634-1635
1215152	4D0407181H	SKODA	1388	1215162	8A0407181	AUDI	109, 111, 113, 115
1215152	4D0407181H	VOLKSWAGEN	1641, 1644	1215162	8A0407181	VOLKSWAGEN	1634-1635
1215153	4D0407182E	AUDI	49-50, 52, 55, 66, 69-70, 78, 80	1215165	31121127378	BMW	140-141, 211
1215153	4D0407182E	SEAT	1321	1215165	31129058814	BMW	140-141, 143, 211-212
1215153	4D0407182E	SKODA	1388	1215165	31129058815	BMW	140-141, 211
1215153	4D0407182E	VOLKSWAGEN	1641, 1644	1215165	31129058931	BMW	140-141, 211
1215153	4D0407182G	AUDI	49-50, 52, 55, 66, 69-70, 78, 80	1215165	31129059288	BMW	140-141, 143, 211-212
1215153	4D0407182G	SEAT	1321	1215173	3521H0	CITROEN	276, 292
1215153	4D0407182G	SKODA	1388	1215173	3521H0	FIAT	387-388, 398-399
1215153	4D0407182G	VOLKSWAGEN	1641, 1644	1215173	3521H0	LANCIA	666, 674
1215154	4D0407183AB	AUDI	50, 53, 67, 70, 78, 80	1215173	3521H0	PEUGEOT	1150-1151
1215154	4D0407183AB	SKODA	1389	1215173	3521H1	CITROEN	276, 292
1215154	4D0407183AB	VOLKSWAGEN	1642, 1645	1215173	3521H1	FIAT	387-388, 398-399
1215154	4D0407183M	AUDI	50, 53, 67, 70, 78, 80	1215173	3521H1	LANCIA	666, 674
1215154	4D0407183M	SKODA	1389	1215173	3521H1	PEUGEOT	1150-1151
1215154	4D0407183M	VOLKSWAGEN	1642, 1645	1215176	352393	CITROEN	288-289
1215154	4D0407183P	AUDI	50, 53, 67, 70, 78, 80	1215176	352393	PEUGEOT	1072-1073
1215154	4D0407183P	SKODA	1389	1215177	352394	CITROEN	288-289
1215154	4D0407183P	VOLKSWAGEN	1642, 1645	1215177	352394	PEUGEOT	1072-1073
1215154	4D0407183Q	AUDI	50, 53, 67, 70, 78, 80	1215177	3523AP	CITROEN	288-289
1215154	4D0407183Q	SKODA	1389	1215177	3523AP	PEUGEOT	1072-1073
1215154	4D0407183Q	VOLKSWAGEN	1642, 1645	1215178	6790115	FORD	464, 466
1215155	4B0407515	AUDI	50, 53, 56, 67, 70, 72-73, 78-80, 83	1215179	6870549	FORD	464
1215155	4B0407515	SEAT	1322	1215183	31121125428	BMW	160
1215155	4B0407515	SKODA	1389	1215183	31121125429	BMW	160
1215155	4B0407515	VOLKSWAGEN	1642, 1645, 1655	1215183	31121126302	BMW	160
1215155	8D0407515A	AUDI	50, 53, 56, 67, 70, 72-73, 78-80, 83	1215183	31121126394	BMW	160
1215155	8D0407515A	SKODA	1389	1215183	31121126426	BMW	160
1215155	8D0407515A	VOLKSWAGEN	1642, 1645, 1655	1215183	31129058816	BMW	160
1215155	8D0407515B	AUDI	50, 53, 56, 67, 70, 72-73, 78-80, 83	1215183	31129058817	BMW	160
1215155	8D0407515B	SKODA	1389	1215183	31129058818	BMW	160
1215155	8D0407515B	VOLKSWAGEN	1642, 1645, 1655	1215183	31129058819	BMW	160
1215156	4A0407183D	AUDI	64, 123	1215185	32211136452	BMW	159, 161, 186, 196
1215157	4A0407181A	AUDI	64, 123	1215191	8661476	SAAB	1306
1215158	352343	PEUGEOT	1144-1145, 1147-1148	1215191	8961476	SAAB	1306
1215159	352345	PEUGEOT	1144-1145, 1147-1148	1215192	352355	OPEL	1054
1215159	352396	PEUGEOT	1144-1145, 1147-1148	1215192	352355	VAUXHALL	1549
1215160	811407181	AUDI	107-108, 110	1215198	1J0407181	AUDI	32, 40, 97
1215160	811407181	VOLKSWAGEN	1633	1215198	1J0407181	SEAT	1333, 1336, 1341, 1352
1215160	811407181A	AUDI	107-108, 110	1215198	1J0407181	SKODA	1358, 1362, 1364, 1366, 1374, 1383, 1386
1215160	811407181A	VOLKSWAGEN	1633	1215198	1J0407181	VOLKSWAGEN	1575, 1602, 1629, 1667, 1669, 1707
				1215198	1J0407181A	AUDI	32, 40, 97
				1215198	1J0407181A	SEAT	1333, 1336, 1341, 1352
				1215198	1J0407181A	VOLKSWAGEN	1575, 1602, 1629, 1667, 1707
				1215199	1J0411327	AUDI	40
				1215199	1J0411327	SKODA	1374
				1215199	1J0411327	VOLKSWAGEN	1576, 1603,

RIF. OCAP OCAP REF.	RIF. ORIG. O.E. NUMBER	MARCA MAKE	PAG.	RIF. OCAP OCAP REF.	RIF. ORIG. O.E. NUMBER	MARCA MAKE	PAG.
			1630	1215215	7396830	FORD	451
1215200	1J0501541B	AUDI	41, 98	1215215	7396830	SEAT	1307
1215200	1J0501541B	SEAT	1334, 1337, 1342	1215215	7396830	VOLKSWAGEN	1676
1215200	1J0501541B	SKODA	1363, 1365, 1375, 1384, 1387	1215215	7M0407181A	FORD	451
1215200	1J0501541B	VOLKSWAGEN	1577, 1589, 1604, 1631, 1668, 1670	1215215	7M0407181A	SEAT	1307
1215200	1J0501541C	AUDI	41, 98	1215215	7M0407181A	VOLKSWAGEN	1676
1215200	1J0501541C	SEAT	1334, 1337, 1342	1215216	7201717	FORD	451-452
1215200	1J0501541C	SKODA	1363, 1365, 1375, 1384, 1387	1215216	7M0501541	SEAT	1307-1308
1215200	1J0501541C	VOLKSWAGEN	1577, 1589, 1604, 1631, 1668, 1670	1215216	7M0501541	VOLKSWAGEN	1676-1677
1215200	6R0501541A	AUDI	41, 98	1215218	60801315	ALFA ROMEO	15, 17
1215200	6R0501541A	SEAT	1334, 1337, 1342	1215220	2013334514	MERCEDES	761
1215200	6R0501541A	SKODA	1363, 1365, 1375, 1384, 1387	1215221	2023304807 *	MERCEDES	766, 779, 786, 789, 834
1215200	6R0501541A	VOLKSWAGEN	1577, 1589, 1604, 1631, 1668, 1670	1215221	2103308807 *	MERCEDES	766, 779, 786, 789, 834
1215200	6R0501541B	AUDI	41, 98	1215224	1403307707 **	MERCEDES	818
1215200	6R0501541B	SEAT	1334, 1337, 1342	1215225	1403528465	MERCEDES	820
1215200	6R0501541B	SKODA	1363, 1365, 1375, 1384, 1387	1215226	352360	PEUGEOT	1132
1215200	6R0501541A	VOLKSWAGEN	1577, 1589, 1604, 1631, 1668, 1670	1215227	352361	PEUGEOT	1132
1215200	6R0501541B	AUDI	41, 98	1215228	7700822503	RENAULT	1179, 1192, 1203
1215200	6R0501541B	SEAT	1334, 1337, 1342	1215229	7700824042	RENAULT	1203
1215200	6R0501541A	SKODA	1363, 1365, 1375, 1384, 1387	1215230	7700806239	RENAULT	1253
1215200	6R0501541A	VOLKSWAGEN	1577, 1589, 1604, 1631, 1668, 1670	1215231	7700806238	RENAULT	1253
1215200	6R0501541B	AUDI	41, 98	1215232	115422290	SKODA	1367, 1397- 1398
1215200	6R0501541B	SEAT	1334, 1337, 1342	1215232	6U0407182	SKODA	1367, 1397- 1398
1215200	6R0501541B	SKODA	1363, 1365, 1375, 1384, 1387	1215233	115422291	SKODA	1397
1215200	6R0501541B	VOLKSWAGEN	1577, 1589, 1604, 1631, 1668, 1670	1215234	115422292	SKODA	1398
1215201	1243500575	MERCEDES	764, 767, 769- 770, 780, 785, 788, 790, 830, 835, 837	1215237	2024600319 *	MERCEDES	765, 779
1215201	1243523565	MERCEDES	764, 767, 769- 770, 780, 785, 788, 790, 830, 835, 837	1215240	352341	OPEL	1054
1215201	1243529065	MERCEDES	764, 767, 769- 770, 780, 785, 788, 790, 830, 835, 837	1215240	352341	VAUXHALL	1549
1215202	1243528665	MERCEDES	764, 767, 770, 780, 785, 788, 790, 830, 835, 837	1215243	60806408	ALFA ROMEO	27
1215202	2103520965	MERCEDES	764, 767, 770, 780, 785, 788, 790, 830, 835, 837	1215243	60806408	FIAT	341, 347, 350, 396
1215205	7700840741	RENAULT	1215	1215243	60806408	LANCIA	653, 658-659, 668
1215206	2103336014	MERCEDES	786	1215243	7601642	ALFA ROMEO	27
1215206	2103336814	MERCEDES	786	1215243	7601642	FIAT	341, 347, 350, 396
1215207	4D0407516A	AUDI	79, 81	1215243	7601642	LANCIA	653, 658-659, 668
1215207	4D0407516C	AUDI	79, 81	1215247	1403503506 *	MERCEDES	820
1215210	352352	CITROEN	244-245, 297- 298	1215250	31121133710	BMW	162, 187, 196
1215210	352352	PEUGEOT	1091	1215250	31121136605	BMW	162, 187, 196
1215213	1010037	FORD	436-439, 473	1215250	31121136606	BMW	162, 187, 196
1215213	1010037	MAZDA	709	1215250	31121136607	BMW	162, 187, 196
1215214	1014654	FORD	436-439, 473	1215250	31121139456	BMW	162, 187, 196
1215214	1014654	MAZDA	709	1215250	31122226528	BMW	162, 187, 196
				1215253	31121092019	BMW	162, 164, 167, 186, 188
				1215258	31129071085	BMW	166, 188
				1215263	1403503506 **	MERCEDES	820
				1215268	4355946 *	FIAT	411
				1215269	93807641	IVECO	590
				1215270	93807640	IVECO	590
				1215271	93810239	IVECO	590
				1215275	352350	CITROEN	242-243, 297
				1215275	352350	PEUGEOT	1090
				1215275	95603308	CITROEN	242-243, 297
				1215275	95603308	PEUGEOT	1090
				1215275	96113432	CITROEN	242-243, 297
				1215275	96113432	PEUGEOT	1090
				1215275	96603308	CITROEN	242-243, 297
				1215275	96603308	PEUGEOT	1090

RIF. OCAP OCAP REF.	RIF. ORIG. O.E. NUMBER	MARCA MAKE	PAG.	RIF. OCAP OCAP REF.	RIF. ORIG. O.E. NUMBER	MARCA MAKE	PAG.
1215285	1683330214	MERCEDES	755	1215320	352365	OPEL	1018, 1062
1215286	1683330014	MERCEDES	755	1215320	352365	VAUXHALL	1543, 1566
1215286	1683330714	MERCEDES	755	1215324	96083570	CITROEN	304
1215288	NTC1772	LAND ROVER	677	1215325	352382	CITROEN	304
1215289	EGP1673	ROVER GROUP	1282-1283, 1288-1289	1215326	352381	CITROEN	304
1215290	EGP1664	ROVER GROUP	1282-1283, 1289	1215328	RBX10025	ROVER GROUP	1285
1215291	30872511	MINISUBISHI	869, 916	1215329	RBX10026	ROVER GROUP	1285
1215291	30872511	VOLVO	1718, 1720	1215332	352376	PEUGEOT	1097
1215292	30872510	MINISUBISHI	869, 916	1215333	352377	CITROEN	253, 262, 264, 268
1215292	30872510	VOLVO	1718, 1720	1215333	352377	PEUGEOT	1085, 1097- 1098, 1120- 1121
1215293	30818467	MINISUBISHI	869, 916	1215333	352392	CITROEN	253, 262, 264, 268
1215293	30818467	VOLVO	1718, 1720	1215333	352392	PEUGEOT	1085, 1097- 1098, 1120- 1121
1215298	4694761AC *	CHRYSLER	237	1215334	509481	PEUGEOT	1099
1215299	4694760AC *	CHRYSLER	237	1215348	1329655	VOLVO	1744
1215300	7704000681	RENAULT	1230, 1250, 1261	1215351	82403643	FIAT	350
1215308	7700799066	RENAULT	1183	1215354	4448132	FIAT	376, 386
1215309	1023058	FORD	464, 466	1215354	4448132	SEAT	1351
1215312	7674701	FIAT	364, 408	1215357	915001890	CITROEN	294, 299, 301
1215312	7674701	INNOCENTI	576	1215357	915001890	RENAULT	1232, 1234
1215312	7674701	SEAT	1324, 1354	1215361	7700763934	RENAULT	1230, 1261
1215313	54560-00Q0A	NISSAN	941, 970	1215362	7700760265	RENAULT	1230, 1261
1215313	54560-00Q0A	RENAULT	1186-1187, 1200, 1263, 1272	1215363	7700693154	RENAULT	1230, 1261
1215313	54560-00QAB	NISSAN	941, 970	1215364	7563151	FIAT	401
1215313	54560-00QAB	RENAULT	1186-1187, 1200, 1263, 1272	1215365	7700789815	RENAULT	1230, 1243, 1261
1215313	7700418941	NISSAN	941, 970	1215365	7702144561	RENAULT	1230, 1243, 1261
1215313	7700418941	RENAULT	1186-1187, 1200, 1263, 1272	1215366	509437	CITROEN	243
1215313	7700424399	NISSAN	941, 970	1215367	509440	CITROEN	243, 278, 301
1215313	7700424399	RENAULT	1186-1187, 1200, 1263, 1272	1215368	509436	CITROEN	243, 302
1215314	31121104387 *	BMW	128	1215369	350112	OPEL	1042
1215314	31121104388 *	BMW	128	1215370	350113	OPEL	1042
1215319	352364	FIAT	351	1215371	2013261081	MERCEDES	763, 785
1215319	352364	OPEL	1018, 1021, 1046, 1062, 1064, 1069	1215372	1243231785	MERCEDES	763, 784
1215319	352364	SAAB	1299, 1301- 1302	1215373	171411313	VOLKSWAGEN	1592, 1595
1215319	352364	VAUXHALL	1543, 1545, 1566, 1568	1215375	867411313	AUDI	103
1215319	4566899	FIAT	351	1215375	867411313	VOLKSWAGEN	1657-1658
1215319	4566899	OPEL	1018, 1021, 1046, 1062, 1064, 1069	1215376	82374408	LANCIA	656
1215319	4566899	SAAB	1299, 1301- 1302	1215377	82379406	LANCIA	656
1215319	4566899	VAUXHALL	1543, 1545, 1566, 1568	1215378	82351944	LANCIA	656
1215319	90498738	FIAT	351	1215379	7603476	FIAT	401
1215319	90498738	OPEL	1018, 1021, 1046, 1062, 1064, 1069	1215380	7700771562	RENAULT	1251
1215319	90498738	SAAB	1299, 1301- 1302	1215381	7592476	AUTOBIANCHI	127
1215319	90498738	VAUXHALL	1543, 1545, 1566, 1568	1215381	7592476	FIAT	376
1215320	352358	OPEL	1018, 1062	1215382	7548992	AUTOBIANCHI	127
1215320	352358	VAUXHALL	1543, 1566	1215382	7548992	FIAT	376
				1215384	4325409	FIAT	403, 409
				1215387	811411327A	AUDI	107, 109, 112
				1215387	811411327A	VOLKSWAGEN	1634
				1215388	4339248	CITROEN	279
				1215388	4339248	FIAT	357
				1215388	4339248	PEUGEOT	1077
				1215389	7910014619	CITROEN	278, 301
				1215390	91500679	CITROEN	278, 301
				1215392	96064491	CITROEN	243
				1215393	96064489	CITROEN	245
				1215394	509466	CITROEN	315
				1215395	509465	CITROEN	315
				1215396	1652936	FORD	434
				1215399	6788739 *	FORD	431

RIF. OCAP OCAP REF.	RIF. ORIG. O.E. NUMBER	MARCA MAKE	PAG.	RIF. OCAP OCAP REF.	RIF. ORIG. O.E. NUMBER	MARCA MAKE	PAG.
1215400	0350109	OPEL	1026	1215493	31129068753 *	BMW	164
1215400	350109	OPEL	1026	1215496	352327	OPEL	1026
1215401	0350127	OPEL	1028	1215496	352327	VAUXHALL	1562
1215401	0350127	VAUXHALL	1554	1215503	6383300110 *	MERCEDES	845
1215401	350127	OPEL	1028	1215504	6383330814	MERCEDES	845
1215401	350127	VAUXHALL	1554	1215505	191501541	VOLKSWAGEN	1595
1215403	350081	OPEL	1017	1215516	1633300075	MERCEDES	804
1215404	350078	OPEL	1017	1215517	1633330101 *	MERCEDES	804-805
1215405	509456	PEUGEOT	1091	1215522	352302	OPEL	1056
1215406	509457	CITROEN	298	1215522	352302	VAUXHALL	1564
1215406	509457	PEUGEOT	1091	1215522	352458	OPEL	1056
1215406	96054481	CITROEN	298	1215522	352458	VAUXHALL	1564
1215406	96054481	PEUGEOT	1091	1215523	352303	OPEL	1056
1215407	509458	PEUGEOT	1091	1215523	352303	VAUXHALL	1564
1215408	0608626700	RENAULT	1223, 1225- 1226, 1228	1215523	352457	OPEL	1056
1215409	7700630430	RENAULT	1237, 1239	1215523	352457	VAUXHALL	1564
1215411	191411314	SEAT	1325	1215524	1522130S	FORD	468
1215411	191411314	VOLKSWAGEN	1598	1215524	1522130S	JAGUAR	596
1215412	2013234885	MERCEDES	763, 784	1215525	1522081S	FORD	468
1215413	191407190A	SEAT	1328	1215525	1522081S	JAGUAR	596
1215413	191407190A	VOLKSWAGEN	1595, 1638	1215526	8Z0407182B	AUDI	37-38
1215414	7700774026	RENAULT	1251	1215526	8Z0407182C	AUDI	37-38
1215415	7700763932	RENAULT	1250	1215528	RBX100780	ROVER GROUP	1290
1215417	7780450	FIAT	339, 381	1215529	RBX100680	HONDA	513
1215418	7750982	FIAT	339, 381	1215529	RBX100680	ROVER GROUP	1291
1215419	7750983	FIAT	339, 381	1215530	RBX100670	HONDA	513
1215420	7750990	FIAT	339, 355, 382, 394	1215530	RBX100670	ROVER GROUP	1291
1215421	46402696	LANCIA	663	1215531	RBX100580	HONDA	513
1215421	82412746	FIAT	350	1215531	RBX100580	ROVER GROUP	1291
1215422	31351127414	BMW	141	1215532	RBX100590	HONDA	513
1215423	31351129139	BMW	141	1215532	RBX100590	ROVER GROUP	1291
1215424	31351127390	BMW	158, 160	1215533	RBX101760	ROVER GROUP	1293
1215425	31351135805	BMW	163	1215534	RBX101770	ROVER GROUP	1293
1215426	1243232385	MERCEDES	763, 784	1215535	RBX101160	LAND ROVER	684
1215427	1233231285	MERCEDES	754	1215535	RBX101790	LAND ROVER	684
1215430	404014	CITROEN	301	1215536	RBX101780	LAND ROVER	684
1215430	404014	PEUGEOT	1087-1088	1215544	1243333714	MERCEDES	762
1215431	2013512742	MERCEDES	764	1215545	1243333814	MERCEDES	762
1215432	2013512842	MERCEDES	764	1215546	2013335214	MERCEDES	763
1215433	1243510242	MERCEDES	785	1215547	1243334214	MERCEDES	762, 783, 828- 829
1215434	2023510842	MERCEDES	767, 780, 835	1215548	1243334314	MERCEDES	762, 783, 828- 829
1215438	1521097	FORD	488, 491-492	1215549	2023338714	MERCEDES	765, 834
1215439	1061570	FORD	444	1215550	2023336414	MERCEDES	765, 834
1215440	1067918	FORD	444	1215551	2103335514	MERCEDES	786
1215441	1073217	FORD	444	1215552	2023330214	MERCEDES	768, 836
1215455	46764747 *	FIAT	370	1215552	2033330214	MERCEDES	768, 836
1215455	46764747 *	LANCIA	664	1215552	2033331014	MERCEDES	768, 836
1215456	46764746 *	FIAT	370	1215552	2033331114	MERCEDES	768, 836
1215456	46764746 *	LANCIA	664	1215552	2043331014	MERCEDES	768, 836
1215457	46522142 *	FIAT	370	1215553	2033330314	MERCEDES	768, 836
1215457	46522142 *	LANCIA	664	1215553	2033330914	MERCEDES	768, 836
1215458	46525407 *	FIAT	370	1215554	6192705	FORD	431, 481
1215458	46525407 *	LANCIA	664	1215556	09208989	OPEL	1009
1215491	1300720080	CITROEN	289	1215556	09208989	SUZUKI	1441
1215491	1300720080	FIAT	360, 387-388, 398	1215556	09208989	VAUXHALL	1538
1215491	1300720080	LANCIA	674	1215556	09212533	OPEL	1009
1215491	1300720080	PEUGEOT	1073	1215556	09212533	SUZUKI	1441
1215491	1313056080	CITROEN	289	1215556	09212533	VAUXHALL	1538
1215491	1313056080	FIAT	360, 387-388, 398	1215556	09319-10030	OPEL	1009
1215491	1313056080	LANCIA	674	1215556	09319-10030	SUZUKI	1441
1215491	1313056080	PEUGEOT	1073	1215556	09319-10030	VAUXHALL	1538
1215491	1313056080	LANCIA	674	1215556	4703866	OPEL	1009
1215491	1313056080	PEUGEOT	1073	1215556	4703866	SUZUKI	1441

RIF. OCAP OCAP REF.	RIF. ORIG. O.E. NUMBER	MARCA MAKE	PAG.	RIF. OCAP OCAP REF.	RIF. ORIG. O.E. NUMBER	MARCA MAKE	PAG.
1215556	4703866	VAUXHALL	1538				1588, 1605-
1215556	4706664	OPEL	1009				1606, 1610-
1215556	4706664	SUZUKI	1441				1611, 1616-
1215556	4706664	VAUXHALL	1538				1617, 1648-
1215556	9208989	OPEL	1009				1649, 1666,
1215556	9208989	SUZUKI	1441				1673-1674,
1215556	9208989	VAUXHALL	1538				1678, 1680-
1215556	96380613	OPEL	1009				1681, 1690-
1215556	96380613	SUZUKI	1441				1691, 1694
1215556	96380613	VAUXHALL	1538	1215567	6Q0407183	AUDI	42-43, 89
1215557	42451-76G00	OPEL	1009	1215567	6Q0407183	SEAT	1309, 1332, 1343-1344
1215557	42451-76G00	SUZUKI	1441	1215567	6Q0407183	SKODA	1362, 1376- 1377, 1386, 1391
1215557	4705409	VAUXHALL	1538	1215567	6Q0407183	VOLKSWAGEN	1580-1581, 1588, 1605- 1606, 1610- 1611, 1616- 1617, 1648- 1649, 1666, 1673-1674, 1678, 1680- 1681, 1690- 1691, 1694
1215557	47054099209466	OPEL	1009				
1215557	47054099209466	SUZUKI	1441				
1215558	6Q0407151D *	SEAT	1332				
1215558	6Q0407151D *	SKODA	1362, 1386				
1215558	6Q0407151D *	VOLKSWAGEN	1588, 1666				
1215558	6Q0407151E *	SEAT	1332				
1215558	6Q0407151E *	SKODA	1362, 1386				
1215558	6Q0407151E *	VOLKSWAGEN	1588, 1666				
1215558	6Q0407151L *	SEAT	1332				
1215558	6Q0407151L *	SKODA	1362, 1386				
1215558	6Q0407151L *	VOLKSWAGEN	1588, 1666	1215567	6Q0407183A	AUDI	42-43, 89
1215558	6Q0407182A	SEAT	1332	1215567	6Q0407183A	SEAT	1309, 1332, 1343-1344
1215558	6Q0407182A	SKODA	1362, 1386	1215567	6Q0407183A	SKODA	1362, 1376- 1377, 1386, 1391
1215558	6Q0407182A	VOLKSWAGEN	1588, 1666	1215567	6Q0407183A	VOLKSWAGEN	1580-1581, 1588, 1605- 1606, 1610- 1611, 1616- 1617, 1648- 1649, 1666, 1673-1674, 1678, 1680- 1681, 1690- 1691, 1694
1215559	352391	CITROEN	253, 262, 264, 268				
1215559	352391	PEUGEOT	1085, 1120- 1121				
1215560	352380	ALFA ROMEO	28				
1215560	352380	CITROEN	295				
1215560	352380	FIAT	356, 365, 368, 383, 392, 416				
1215560	352380	OPEL	1008, 1033				
1215560	352380	PEUGEOT	1071				
1215560	55703232	ALFA ROMEO	28				
1215560	55703232	CITROEN	295	1215568	31121096372	BMW	206
1215560	55703232	FIAT	356, 365, 368, 383, 392, 416	1215568	31126769715	BMW	206
1215560	55703232	OPEL	1008, 1033	1215571	33311093662	BMW	207
1215560	55703232	PEUGEOT	1071	1215577	352309 *	OPEL	1032
1215561	50700778	FIAT	343, 392-393	1215577	352309 *	VAUXHALL	1557
1215561	50700778	LANCIA	660	1215578	352320	OPEL	1032, 1044
1215562	50700796	FIAT	343, 393, 416	1215578	352320	VAUXHALL	1557, 1560
1215562	50700796	LANCIA	660	1215583	7700781441	RENAULT	1191
1215562	50702649	FIAT	343, 393, 416	1215584	6025311529	RENAULT	1179, 1192
1215562	50702649	LANCIA	660	1215585	8E0407181B	AUDI	52, 55
1215562	50706312	FIAT	343, 393, 416	1215585	8E0407181B	SEAT	1321
1215562	50706312	LANCIA	660	1215585	8E0407181C	AUDI	52, 55
1215562	50706505	FIAT	343, 393, 416	1215608	ANR3671	LAND ROVER	679
1215562	50706505	LANCIA	660	1215608	RBX101340	LAND ROVER	679
1215562	51795336	FIAT	343, 393, 416	1215609	4500094	OPEL	1049-1050
1215562	51795336	LANCIA	660	1215609	4500094	VAUXHALL	1561
1215562	51812443	FIAT	343, 393, 416	1215609	7700302122	RENAULT	1209-1210
1215562	51812443	LANCIA	660	1215609	9160394	OPEL	1049-1050
1215562	51840600	FIAT	343, 393, 416	1215609	9160394	VAUXHALL	1561
1215562	51840600	LANCIA	660	1215610	4500095	OPEL	1049-1050
1215567	1K0407183E	AUDI	42-43, 89	1215610	4500095	VAUXHALL	1561
1215567	1K0407183E	SEAT	1309, 1332, 1343-1344	1215610	7700302123	RENAULT	1209-1210
1215567	1K0407183E	SKODA	1362, 1376- 1377, 1386, 1391	1215610	9160395	OPEL	1049-1050
1215567	1K0407183E	VOLKSWAGEN	1580-1581,	1215610	9160395	VAUXHALL	1561
				1215613	33311126747	BMW	141
				1215613	33311128566	BMW	141
				1215613	33311129144	BMW	141

RIF. OCAP OCAP REF.	RIF. ORIG. O.E. NUMBER	MARCA MAKE	PAG.	RIF. OCAP OCAP REF.	RIF. ORIG. O.E. NUMBER	MARCA MAKE	PAG.
1215613	33311130537	BMW	141	1215646	3521N9 *	PEUGEOT	1076, 1151
1215614	33311128670	BMW	163, 187	1215647	1356060080 *	CITROEN	276, 293
1215614	33311129760	BMW	163, 187	1215647	1356060080 *	FIAT	389, 399
1215616	352383	CITROEN	251, 311	1215647	1356060080 *	LANCIA	666
1215616	352383	PEUGEOT	1082, 1084	1215647	1356060080 *	PEUGEOT	1076, 1151
1215616	96117499	CITROEN	251, 311	1215647	1497408080 *	CITROEN	276, 293
1215616	96117499	PEUGEOT	1082, 1084	1215647	1497408080 *	FIAT	389, 399
1215618	352398	CITROEN	257	1215647	1497408080 *	LANCIA	666
1215618	352398	PEUGEOT	1086	1215647	1497408080 *	PEUGEOT	1076, 1151
1215619	3523AA	CITROEN	257	1215647	3520P6 *	CITROEN	276, 293
1215619	3523AA	PEUGEOT	1086	1215647	3520P6 *	FIAT	389, 399
1215620	352395	CITROEN	271	1215647	3520P6 *	LANCIA	666
1215621	352384	CITROEN	271	1215647	3520P6 *	PEUGEOT	1076, 1151
1215621	352387	CITROEN	271	1215647	3520R8 *	CITROEN	276, 293
1215638	12786412	FIAT	351	1215647	3520R8 *	FIAT	389, 399
1215638	12786412	OPEL	1064	1215647	3520R8 *	LANCIA	666
1215638	12786412	SAAB	1299	1215647	3520R8 *	PEUGEOT	1076, 1151
1215638	12786412	VAUXHALL	1568	1215648	1212807S1	FORD	440
1215638	352319	FIAT	351	1215648	1212807S1	MAZDA	710
1215638	352319	OPEL	1064	1215649	1212807	FORD	440
1215638	352319	SAAB	1299	1215649	1212807	MAZDA	710
1215638	352319	VAUXHALL	1568	1215649	1212807S2	FORD	440
1215638	71740107	FIAT	351	1215649	1212807S2	MAZDA	710
1215638	71740107	OPEL	1064	1215651	3665627	FORD	475
1215638	71740107	SAAB	1299	1215657	1H0501541	VOLKSWAGEN	1598, 1600
1215638	71740107	VAUXHALL	1568	1215657	1H0501541A	VOLKSWAGEN	1598, 1600
1215638	93171448	FIAT	351	1215658	3A0501541	VOLKSWAGEN	1638
1215638	93171448	OPEL	1064	1215659	701407087	VOLKSWAGEN	1700
1215638	93171448	SAAB	1299	1215660	701407077	VOLKSWAGEN	1702, 1704
1215638	93171448	VAUXHALL	1568	1215660	701407077A	VOLKSWAGEN	1702, 1704
1215640	4408958 **	NISSAN	954, 972	1215661	701407183C	VOLKSWAGEN	1702, 1704
1215640	4408958 **	OPEL	1065-1067	1215661	7D0407183	VOLKSWAGEN	1702, 1704
1215640	4408958 **	RENAULT	1193, 1204, 1267-1269	1215662	701501131	VOLKSWAGEN	1702, 1704
1215640	4408958 **	VAUXHALL	1570	1215663	701407140B	VOLKSWAGEN	1702, 1704
1215640	8200002868	NISSAN	954, 972	1215663	701407140C	VOLKSWAGEN	1702, 1704
1215640	8200002868	OPEL	1065-1067	1215663	7D0407140	VOLKSWAGEN	1702, 1704
1215640	8200002868	RENAULT	1193, 1204, 1267-1269	1215663	7D0407140A	VOLKSWAGEN	1702, 1704
1215640	8200002868	VAUXHALL	1570	1215664	31120304308	BMW	191
1215641	4408959 **	NISSAN	954, 972	1215664	31126765991	BMW	191
1215641	4408959 **	OPEL	1065-1067	1215666	4545711	SAAB	1298
1215641	4408959 **	RENAULT	1193, 1204, 1267-1269	1215667	2203305811 *	MERCEDES	821
1215641	4408959 **	VAUXHALL	1570	1215668	2203305211 *	MERCEDES	822
1215641	8200002869	NISSAN	954, 972	1215669	2203309407 *	MERCEDES	822
1215641	8200002869	OPEL	1065-1067	1215670	2203520065	MERCEDES	823
1215641	8200002869	RENAULT	1193, 1204, 1267-1269	1215671	701411049B *	VOLKSWAGEN	1702, 1704
1215641	8200002869	VAUXHALL	1570	1215673	4248431 **	SAAB	1298
1215646	1356061080 *	CITROEN	276, 293	1215673	4248449 **	SAAB	1298
1215646	1356061080 *	FIAT	389, 399	1215674	4248431 *	SAAB	1298
1215646	1356061080 *	LANCIA	666	1215674	4248449 *	SAAB	1298
1215646	1356061080 *	PEUGEOT	1076, 1151	1215675	9443882	VOLVO	1724-1725, 1731
1215646	1497407080 *	CITROEN	276, 293	1215676	8630604	VOLVO	1724-1725
1215646	1497407080 *	FIAT	389, 399	1215677	4041450	FORD	495-496
1215646	1497407080 *	LANCIA	666	1215677	4131788	FORD	495-496
1215646	1497407080 *	PEUGEOT	1076, 1151	1215677	YC153069AG	FORD	495-496
1215646	3521K6 *	CITROEN	276, 293	1215678	1495717	FORD	495-496
1215646	3521K6 *	FIAT	389, 399	1215678	4042024	FORD	495-496
1215646	3521K6 *	LANCIA	666	1215678	4372132	FORD	495-496
1215646	3521K6 *	PEUGEOT	1076, 1151	1215678	4540787	FORD	495-496
1215646	3521N9 *	CITROEN	276, 293	1215678	YC15-3A262-AF	FORD	495-496
1215646	3521N9 *	FIAT	389, 399	1215685	302292	OPEL	1035
1215646	3521N9 *	LANCIA	666	1215685	302292	VAUXHALL	1559
1215646	3521N9 *	PEUGEOT	1076, 1151	1215685	97138388	OPEL	1035
1215646	3521N9 *	CITROEN	276, 293	1215685	97138388	VAUXHALL	1559
1215646	3521N9 *	FIAT	389, 399	1215686	302293	OPEL	1035
1215646	3521N9 *	LANCIA	666				

RIF. OCAP OCAP REF.	RIF. ORIG. O.E. NUMBER	MARCA MAKE	PAG.	RIF. OCAP OCAP REF.	RIF. ORIG. O.E. NUMBER	MARCA MAKE	PAG.
1215686	302293	VAUXHALL	1559				1614, 1616-
1215686	97138389	OPEL	1035				1617, 1619,
1215686	97138389	VAUXHALL	1559				1648-1649,
1215687	302294	OPEL	1035				1652, 1673-
1215687	302294	VAUXHALL	1559				1674, 1678,
1215687	97179420	OPEL	1035				1680-1681,
1215687	97179420	VAUXHALL	1559				1683, 1690-
1215688	8200242025	RENAULT	1181, 1189, 1217, 1256				1691, 1694, 1696
1215694	542140096	LDV	697	1215716	5Q0407182	AUDI	42-43, 46-47, 89, 99
1215695	542140106	LDV	697	1215716	5Q0407182	SEAT	1309, 1318, 1343-1344, 1347-1348
1215697	2203333114	MERCEDES	821	1215716	5Q0407182	SKODA	1369, 1371, 1376-1377, 1380-1381, 1391-1392, 1394
1215700	31126770850 *	BMW	131, 151	1215716	5Q0407182	VOLKSWAGEN	1573, 1580- 1581, 1605- 1607, 1610- 1611, 1613- 1614, 1616- 1617, 1619, 1648-1649, 1652, 1673- 1674, 1678, 1680-1681, 1683, 1690- 1691, 1694, 1696
1215701	33326765425*	BMW	132, 153, 198	1215717	1K0199232G	AUDI	42-43
1215702	33326765425**	BMW	132, 153, 198	1215717	1K0199232G	SEAT	1343-1344
1215704	6393330214	MERCEDES	847	1215717	1K0199232G	SKODA	1376-1377, 1391
1215705	2D0407140	VOLKSWAGEN	1624	1215717	1K0199232G	VOLKSWAGEN	1605-1606, 1610-1611, 1616-1617, 1673-1674, 1690-1691, 1694
1215705	9013330214	MERCEDES	840	1215717	1K0199232H	AUDI	42-43
1215706	4143330114	MERCEDES	844	1215717	1K0199232H	SEAT	1343-1344
1215707	4143330014	MERCEDES	844	1215717	1K0199232H	SKODA	1376-1377, 1391
1215708	2113309007 *	MERCEDES	791	1215717	1K0199232H	VOLKSWAGEN	1605-1606, 1610-1611, 1616-1617, 1673-1674, 1690-1691, 1694
1215709	2113331914	MERCEDES	792	1215717	1K0199232J	AUDI	42-43
1215710	2113331114	MERCEDES	792	1215717	1K0199232J	SEAT	1343-1344
1215710	2303330614	MERCEDES	792	1215717	1K0199232J	SKODA	1376-1377, 1391
1215711	2113331014	MERCEDES	792, 832	1215717	1K0199232J	VOLKSWAGEN	1605-1606, 1610-1611, 1616-1617, 1673-1674, 1690-1691, 1694
1215711	2113332514	MERCEDES	792, 832	1215717	1K0199232K	AUDI	42-43
1215711	2113332814	MERCEDES	792, 832	1215717	1K0199232K	SEAT	1343-1344
1215711	2113332914	MERCEDES	792, 832	1215717	1K0199232K	SKODA	1376-1377, 1391
1215712	2303503606 *	MERCEDES	793, 832	1215717	1K0199232K	VOLKSWAGEN	1605-1606, 1610-1611, 1616-1617, 1673-1674, 1690-1691, 1694
1215714	2303502806 *	MERCEDES	793, 833	1215717	1K0199232K	AUDI	42-43
1215715	2303502706 *	MERCEDES	793, 833	1215717	1K0199232K	SEAT	1343-1344
1215716	1K0407182	AUDI	42-43, 46-47, 89, 99	1215717	1K0199232K	SKODA	1376-1377, 1391
1215716	1K0407182	SEAT	1309, 1318, 1343-1344, 1347-1348	1215717	1K0199232K	VOLKSWAGEN	1605-1606, 1610-1611, 1616-1617, 1673-1674, 1690-1691, 1694
1215716	1K0407182	SKODA	1369, 1371, 1376-1377, 1380-1381, 1391-1392, 1394	1215717	1K0199232K	AUDI	42-43
1215716	1K0407182	VOLKSWAGEN	1573, 1580- 1581, 1605- 1607, 1610- 1611, 1613- 1614, 1616- 1617, 1619, 1648-1649, 1652, 1673- 1674, 1678, 1680-1681, 1683, 1690- 1691, 1694, 1696	1215717	1K0199232K	SEAT	1343-1344
1215716	1K0407182A	AUDI	42-43, 46-47, 89, 99	1215717	1K0199232K	SKODA	1376-1377, 1391
1215716	1K0407182A	SEAT	1309, 1318, 1343-1344, 1347-1348	1215717	1K0199232K	VOLKSWAGEN	1605-1606, 1610-1611, 1616-1617, 1673-1674, 1690-1691, 1694
1215716	1K0407182A	SKODA	1369, 1371, 1376-1377, 1380-1381, 1391-1392, 1394	1215717	1K0199232K	AUDI	42-43
1215716	1K0407182A	VOLKSWAGEN	1573, 1580- 1581, 1605- 1607, 1610- 1611, 1613-	1215717	1K0199232K	SEAT	1343-1344

RIF. OCAP OCAP REF.	RIF. ORIG. O.E. NUMBER	MARCA MAKE	PAG.	RIF. OCAP OCAP REF.	RIF. ORIG. O.E. NUMBER	MARCA MAKE	PAG.
			1690-1691, 1694				1069
1215718	1K0199231G	AUDI	42-43	1215722	24439582	VAUXHALL	1545
1215718	1K0199231G	SEAT	1343-1344	1215722	352324	OPEL	1021, 1046, 1069
1215718	1K0199231G	SKODA	1376-1377, 1391	1215722	352324	VAUXHALL	1545
1215718	1K0199231G	VOLKSWAGEN	1605-1606, 1610-1611, 1616-1617, 1673-1674, 1690-1691, 1694	1215723	3523AQ	CITROEN	272, 274
				1215723	3523AQ	PEUGEOT	1134-1135, 1140, 1142
1215718	1K0199231H	AUDI	42-43	1215724	3520N6 *	CITROEN	272, 274
1215718	1K0199231H	SEAT	1343-1344	1215724	3520N6 *	PEUGEOT	1134, 1142
1215718	1K0199231H	SKODA	1376-1377, 1391	1215724	3520W1 *	CITROEN	272, 274
1215718	1K0199231H	VOLKSWAGEN	1605-1606, 1610-1611, 1616-1617, 1673-1674, 1690-1691, 1694	1215724	3520W1 *	PEUGEOT	1134, 1142
				1215724	3521J6 *	CITROEN	272, 274
1215718	1K0199231J	AUDI	42-43	1215724	3521J6 *	PEUGEOT	1134, 1142
1215718	1K0199231J	SEAT	1343-1344	1215724	3521S4	CITROEN	272, 274
1215718	1K0199231J	SKODA	1376-1377, 1391	1215724	3521S4	PEUGEOT	1134, 1142
1215718	1K0199231J	VOLKSWAGEN	1605-1606, 1610-1611, 1616-1617, 1673-1674, 1690-1691, 1694	1215725	8200183569	RENAULT	1188
				1215725	8200346942 **	RENAULT	1188
1215718	1K0199231K	AUDI	42-43	1215725	8200615058 **	RENAULT	1188
1215718	1K0199231K	SEAT	1343-1344	1215726	8200041166	RENAULT	1181, 1188- 1189, 1217, 1256
1215718	1K0199231K	SKODA	1376-1377, 1391	1215727	1693300607 *	MERCEDES	758
1215718	1K0199231K	VOLKSWAGEN	1605-1606, 1610-1611, 1616-1617, 1673-1674, 1690-1691, 1694	1215728	1693300507 *	MERCEDES	758
				1215729	30639368	VOLVO	1734
1215719	1488110 *	FORD	446-447, 460	1215730	30645847	VOLVO	1734
1215719	1488110 *	VOLVO	1716-1717, 1721-1722	1215731	7L0407077	AUDI	94
1215721	1332074 **	FORD	446-447, 460	1215731	7L0407077	PORSCHE	1170, 1176
1215721	1332074 **	MAZDA	712	1215731	7L0407077	VOLKSWAGEN	1685
1215721	1332074 **	VOLVO	1716-1717, 1721-1722	1215731	97034124710	AUDI	94
1215721	1332075 **	FORD	446-447, 460	1215731	97034124710	PORSCHE	1176
1215721	1332075 **	MAZDA	712	1215731	97034124710	VOLKSWAGEN	1685
1215721	1332075 **	VOLVO	1716-1717, 1721-1722	1215732	7L0407183A	AUDI	95
1215721	2080389 *	FORD	486	1215732	7L0407183A	PORSCHE	1171
1215721	2080391 *	FORD	486	1215732	7L0407183A	VOLKSWAGEN	1685-1686, 1688
1215721	30714128	FORD	446-447, 460	1215732	7L8407183	AUDI	95
1215721	30714128	MAZDA	712	1215732	7L8407183	PORSCHE	1171
1215721	30714128	VOLVO	1716-1717, 1721-1722	1215732	7L8407183	VOLKSWAGEN	1685-1686, 1688
1215721	30736956	FORD	446-447, 460	1215732	95534158810	AUDI	95
1215721	30736956	MAZDA	712	1215732	95534158810	PORSCHE	1171
1215721	30736956	VOLVO	1716-1717, 1721-1722	1215732	95534158810	VOLKSWAGEN	1685-1686, 1688
1215721	B32H-34-300D *	FORD	446-447, 460	1215733	7L0412333A	AUDI	95
1215721	B32H-34-300D *	MAZDA	712	1215733	7L0412333A	PORSCHE	1171
1215721	B32H-34-300D *	VOLVO	1716-1717, 1721-1722	1215733	7L0412333A	VOLKSWAGEN	1685-1686, 1688
1215722	24439582	OPEL	1021, 1046,	1215734	7L0407182C	AUDI	95
				1215734	7L0407182C	PORSCHE	1171
				1215734	7L0407182C	VOLKSWAGEN	1685
				1215734	7L0407182E	AUDI	95
				1215734	7L0407182E	PORSCHE	1171
				1215734	7L0407182E	VOLKSWAGEN	1685
				1215734	95534124203	PORSCHE	1171
				1215735	7L0411317 *	AUDI	95
				1215735	7L0411317 *	PORSCHE	1172
				1215735	7L0411317 *	VOLKSWAGEN	1686, 1689
				1215736	4366976	FORD	485
				1215738	356105	PEUGEOT	1079
				1215739	8630605	VOLVO	1731
				1215743	4F0407183A	AUDI	56, 72
				1215743	4F0407183B	AUDI	56, 72
				1215743	4F0407183C	AUDI	56, 72
				1215743	4F0407183E	AUDI	56, 72
				1215743	4F0407183E	SEAT	1321

RIF. OCAP OCAP REF.	RIF. ORIG. O.E. NUMBER	MARCA MAKE	PAG.	RIF. OCAP OCAP REF.	RIF. ORIG. O.E. NUMBER	MARCA MAKE	PAG.
1215744	4E0407181B	AUDI	57-58, 61, 72, 74, 76, 82, 84, 91	1215779	33326770786	BMW	144, 147, 202
				1215779	33332097009	BMW	144, 147, 202
				1215781	51748740 *	FIAT	352
1215744	4E0407181B	PORSCHE	1174	1215784	50706955	ALFA ROMEO	13
1215745	4E0407182C	AUDI	72, 82	1215785	50706954	ALFA ROMEO	13
1215745	4E0407182C	VOLKSWAGEN	1654	1215788	1633500653 *	MERCEDES	805
1215746	4E0407181D	VOLKSWAGEN	1654	1215789	31126763719	BMW	131, 151, 216
1215747	4E0407183A	AUDI	82	1215793	1118921 *	FORD	469
1215747	4E0407183A	VOLKSWAGEN	1654	1215794	51983599	FIAT	343, 392-393, 397, 417
1215748	4543300807 **	MITSUBISHI	877	1215794	51983599	JEEP	610
1215748	4543300807 **	SMART	1402	1215794	51983599	LANCIA	660
1215748	MN-186218 **	MITSUBISHI	877	1215797	3523CE	CITROEN	259, 261
1215748	MN-186218 **	SMART	1402	1215797	3523CE	PEUGEOT	1100, 1103
1215749	4543300707 **	MITSUBISHI	877	1215797	3523EC	CITROEN	259, 261
1215749	4543300707 **	SMART	1402	1215797	3523EC	PEUGEOT	1100, 1103
1215749	MN-186217 **	MITSUBISHI	877	1215797	3523EE	CITROEN	259, 261
1215749	MN-186217 **	SMART	1402	1215797	3523EE	PEUGEOT	1100, 1103
1215750	6819537	VOLVO	1730	1215798	3523CC	CITROEN	259, 261
1215751	1272306	VOLVO	1730	1215798	3523CC	PEUGEOT	1100, 1103
1215753	3523AG	PEUGEOT	1098	1215799	1206474 *	FORD	469
1215755	96158745	CITROEN	315	1215800	6040002245	DACIA	316, 318-319
1215756	96051398	CITROEN	315	1215800	6040002245	RENAULT	1264
1215760	3523AS	PEUGEOT	1098	1215805	RBX500311	LAND ROVER	680
1215761	352380	PEUGEOT	1098	1215806	RBX500291	LAND ROVER	680
1215762	3521L3 **	PEUGEOT	1092	1215807	RBX500301	LAND ROVER	681
1215762	48655-0H010	CITROEN	256	1215809	52088634AB	JEEP	604
1215762	48655-0H010	PEUGEOT	1093	1215810	52090206AG *	JEEP	609
1215762	48655-0H010	TOYOTA	1463	1215811	3520S8 *	CITROEN	274
1215763	3521L3 **	PEUGEOT	1092	1215811	3520S8 *	PEUGEOT	1135
1215763	48654-0H010	CITROEN	256	1215811	3521P9 *	CITROEN	274
1215763	48654-0H010	PEUGEOT	1093	1215811	3521P9 *	PEUGEOT	1135
1215763	48654-0H010	TOYOTA	1463	1215813	13167940	OPEL	1008, 1033
1215767	33326758141	BMW	180	1215813	352864	OPEL	1008, 1033
1215768	2303500429 *	MERCEDES	793, 833	1215814	1633300275 *	MERCEDES	805
1215769	2303500329 *	MERCEDES	793, 833	1215815	51842924 *	ALFA ROMEO	13
1215770	2303502006 *	MERCEDES	793, 832-833	1215815	51842925 *	ALFA ROMEO	13
1215770	2303503506 *	MERCEDES	793, 832-833	1215816	31126757551	MINI	857, 859
1215771	2203308607	MERCEDES	831	1215816	31126767530	MINI	857, 859
1215771	2203308707	MERCEDES	831	1215817	2E0511051F	VOLKSWAGEN	1584
1215772	2303302507 *	MERCEDES	831	1215817	6013210350	MERCEDES	843
1215773	2103303807 *	MERCEDES	789	1215818	45261-79J00	SUZUKI	1437
1215774	2103303807 **	MERCEDES	789	1215818	71742733	FIAT	390
1215775	2103303707 *	MERCEDES	789	1215818	71742733	SUZUKI	1438
1215776	2103503706 *	MERCEDES	790	1215819	45540-68L00	SUZUKI	1437
1215777	3523.35	PEUGEOT	1126	1215820	71746971	FIAT	391
1215777	3523.58	PEUGEOT	1126	1215821	71742291	FIAT	391
1215777	352335	PEUGEOT	1126	1215822	1374222080 *	CITROEN	290-291
1215777	352358	PEUGEOT	1126	1215822	1374222080 *	FIAT	361-362
1215778	3C0199231A	AUDI	89	1215822	1374222080 *	PEUGEOT	1074-1075
1215778	3C0199231A	SEAT	1309	1215823	3520S0	CITROEN	290-291
1215778	3C0199231A	VOLKSWAGEN	1580-1581, 1648-1649, 1678, 1680- 1681	1215823	3520S0	FIAT	361-362
				1215823	3520S0	PEUGEOT	1074-1075
1215778	3C0199231B	AUDI	89	1215823	3520S1	CITROEN	290-291
1215778	3C0199231B	SEAT	1309	1215823	3520S1	FIAT	361-362
1215778	3C0199231B	VOLKSWAGEN	1580, 1648- 1649, 1678, 1680-1681	1215823	3520S1	PEUGEOT	1074-1075
				1215823	3520S1	CITROEN	290-291
1215778	3C0199231D	AUDI	89	1215823	3521P1	FIAT	361-362
1215778	3C0199231D	SEAT	1309	1215823	3521P1	PEUGEOT	1074-1075
1215778	3C0199231D	VOLKSWAGEN	1580, 1648- 1649, 1678, 1680-1681	1215823	50705198	CITROEN	290-291
				1215823	50705198	FIAT	361-362
1215779	33321097009	BMW	144, 147, 202	1215823	50705198	PEUGEOT	1074-1075
1215779	33321137806	BMW	144, 147, 202	1215823	53310315	CITROEN	290-291
				1215823	53310315	FIAT	361-362
				1215823	53310315	PEUGEOT	1074-1075

RIF. OCAP OCAP REF.	RIF. ORIG. O.E. NUMBER	MARCA MAKE	PAG.	RIF. OCAP OCAP REF.	RIF. ORIG. O.E. NUMBER	MARCA MAKE	PAG.
1215824	52088746AA	JEEP	604	1215874	2E0407523A	VOLKSWAGEN	1583
1215825	52088649AC	JEEP	604	1215874	9063330014	MERCEDES	842
1215827	8K0407182A	AUDI	57-58, 61, 74, 76, 91	1215874	9063330114	MERCEDES	842
1215827	8K0407182A	PORSCHE	1174	1215877	6608818	FORD	493
1215827	8K0407182B	AUDI	57-58, 61, 74, 76, 91	1215878	6517356	FORD	493
1215827	8K0407182B	PORSCHE	1174	1215880	51811978 *	ALFA ROMEO	28
1215828	8K0407183A	AUDI	57, 92	1215880	51811978 *	CITROEN	295
1215828	8K0407183B	AUDI	57, 92	1215880	51811978 *	FIAT	365, 368, 383
1215829	8K0407515	AUDI	58	1215880	51811978 *	PEUGEOT	1071
1215832	1643330314	MERCEDES	807, 812	1215880	51885735 *	ALFA ROMEO	28
1215833	1643330414	MERCEDES	807, 812	1215880	51885735 *	CITROEN	295
1215834	1643303407 *	MERCEDES	807	1215880	51885735 *	FIAT	365, 368, 383
1215835	1643303507 **	MERCEDES	807	1215880	51885735 *	PEUGEOT	1071
1215836	1663330000	MERCEDES	806, 812	1215880	55700751 *	ALFA ROMEO	28
1215836	1663330714	MERCEDES	806, 812	1215880	55700751 *	CITROEN	295
1215836	2513330114	MERCEDES	806, 812	1215880	55700751 *	FIAT	365, 368, 383
1215837	1643520165	MERCEDES	808, 810, 813	1215880	55700751 *	PEUGEOT	1071
1215838	1643260681	MERCEDES	808, 810, 813	1215882	7L0407182F	AUDI	95
1215838	1663260281	MERCEDES	808, 810, 813	1215882	7L0407182F	PORSCHE	1171
1215839	1643501606 *	MERCEDES	808, 810, 813	1215882	7L0407182F	VOLKSWAGEN	1686, 1688
1215839	1663500206 *	MERCEDES	808, 810, 813	1215882	7LO407182G	AUDI	95
1215840	1643501306 *	MERCEDES	772, 776, 796, 801, 808, 810, 813	1215882	7LO407182G	VOLKSWAGEN	1688
1215840	1663500106 *	MERCEDES	772, 776, 796, 801, 808, 810, 813	1215947	1K0505279A	AUDI	33, 44, 48, 90, 100
1215840	2043501606 *	MERCEDES	772, 776, 796, 801, 808, 810, 813	1215947	1K0505279A	SEAT	1310, 1319, 1345, 1349
1215842	2513300843	MERCEDES	812	1215947	1K0505279A	SKODA	1370, 1378, 1382, 1393
1215843	2513300743	MERCEDES	812	1215947	1K0505279A	VOLKSWAGEN	1574, 1582, 1608, 1612, 1615, 1618, 1620, 1650, 1653, 1675, 1679, 1682, 1684, 1692, 1695, 1697
1215844	8K0505323F *	AUDI	60, 63, 93	1215948	1K0505203A	AUDI	33, 44, 48, 90, 100
1215844	8K0505323F *	PORSCHE	1175	1215948	1K0505203A	SEAT	1310, 1319, 1345, 1349
1215844	8K0505324F *	AUDI	60, 63, 93	1215948	1K0505203A	SKODA	1370, 1378, 1382, 1393
1215844	8K0505324F *	PORSCHE	1175	1215948	1K0505203A	VOLKSWAGEN	1574, 1582, 1608, 1612, 1615, 1618, 1620, 1650, 1653, 1675, 1679, 1682, 1684, 1692, 1695, 1697
1215845	8K0501529K *	AUDI	60, 75, 77, 85, 93	1215949	4708302	OPEL	1010
1215845	8K0501529K *	PORSCHE	1175	1215949	4708302	VAUXHALL	1539
1215845	8K0501530N *	AUDI	60, 75, 77, 85, 93	1215950	4708302 *	OPEL	1010
1215845	8K0501530N *	PORSCHE	1175	1215950	4708302 *	VAUXHALL	1539
1215846	8K0505279E	AUDI	60	1215951	1391347	IVECO	590
1215848	2213330814	MERCEDES	824	1215952	1391348	IVECO	590
1215849	2213330714	MERCEDES	824-825	1215953	500336357	IVECO	589
1215850	2213309007 *	MERCEDES	825	1215953	500336358	IVECO	589
1215851	2213500706 *	MERCEDES	826	1215953	504039506	IVECO	589
1215852	2213500806 *	MERCEDES	826	1215954	4153300300 **	MERCEDES	839
1215853	2213501153 *	MERCEDES	826	1215954	4153300300 **	RENAULT	1201
1215854	2213501253 *	MERCEDES	826	1215954	8200586561 **	MERCEDES	839
1215855	2213500206 *	MERCEDES	826	1215954	8200586561 **	RENAULT	1201
1215856	2213501006 *	MERCEDES	826	1215955	4153300200 **	MERCEDES	839
1215861	4743094AA	CHRYSLER	238	1215955	4153300200 **	RENAULT	1201
1215862	4743095AA	CHRYSLER	238	1215955	8200586567 **	MERCEDES	839
1215863	4684120	CHRYSLER	238	1215955	8200586567 **	RENAULT	1201
1215870	3520R8 *	CITROEN	276, 293				
1215870	3520R8 *	FIAT	389, 399				
1215870	3520R8 *	PEUGEOT	1076, 1151				
1215870	3521N9 *	CITROEN	276, 293				
1215870	3521N9 *	FIAT	389, 399				
1215870	3521N9 *	PEUGEOT	1076, 1151				
1215872	7H0407182A	VOLKSWAGEN	1705				
1215873	7H0407183	VOLKSWAGEN	1705				
1215874	2E0407523	VOLKSWAGEN	1583				

RIF. OCAP OCAP REF.	RIF. ORIG. O.E. NUMBER	MARCA MAKE	PAG.	RIF. OCAP OCAP REF.	RIF. ORIG. O.E. NUMBER	MARCA MAKE	PAG.
1215956	545014055R	RENAULT	1195, 1219, 1257	1216010	13219090	OPEL	1023, 1037, 1070
1215957	545600004R	RENAULT	1195, 1219, 1257	1216010	13219090	SAAB	1303
1215958	2043330414	MERCEDES	771, 838	1216010	352866	CHEVROLET - DAEWOO 221	
1215959	31106778015	BMW	208	1216010	352866	OPEL	1023, 1037, 1070
1215960	31106771194	BMW	208	1216010	352866	SAAB	1303
1215961	31106771897	BMW	208	1216011	13230774	CHEVROLET - DAEWOO 221	
1215966	99634105306 *	PORSCHE	1162	1216011	13230774	OPEL	1023, 1070
1215966	99634105307 *	PORSCHE	1162	1216011	13334021	CHEVROLET - DAEWOO 221	
1215966	99634105314 *	PORSCHE	1162	1216011	13334021	OPEL	1023, 1070
1215966	99634105316 *	PORSCHE	1162	1216011	13371815	CHEVROLET - DAEWOO 221	
1215966	99634105317 *	PORSCHE	1162	1216011	13371815	OPEL	1023, 1070
1215968	1540725 *	FORD	441	1216011	352108	CHEVROLET - DAEWOO 221	
1215968	1540725 *	MAZDA	711	1216011	352108	OPEL	1023, 1070
1215969	1540724 *	FORD	441-442, 487	1216011	352494	CHEVROLET - DAEWOO 221	
1215969	1540724 *	MAZDA	711	1216011	352494	OPEL	1023, 1070
1215970	51811978	ALFA ROMEO	28	1216012	1K0505311AA *	AUDI	90, 100
1215970	51811978	CITROEN	295	1216012	1K0505311AA *	SEAT	1310, 1345
1215970	51811978	FIAT	356, 365, 368, 383	1216012	1K0505311AA *	SKODA	1378, 1393
1215970	51811978	PEUGEOT	1071	1216012	1K0505311AA *	VOLKSWAGEN	1574, 1608, 1612, 1618, 1620, 1650, 1675, 1679, 1682
1215970	51885735	ALFA ROMEO	28	1216012	1K0505311AB *	AUDI	90, 100
1215970	51885735	CITROEN	295	1216012	1K0505311AB *	SEAT	1310, 1345
1215970	51885735	FIAT	356, 365, 368, 383	1216012	1K0505311AB *	SKODA	1378, 1393
1215970	51885735	PEUGEOT	1071	1216012	1K0505311AB *	VOLKSWAGEN	1574, 1608, 1612, 1618, 1620, 1650, 1675, 1679, 1682
1215970	55700751	ALFA ROMEO	28	1216012	1K0505311H *	AUDI	90, 100
1215970	55700751	CITROEN	295	1216012	1K0505311H *	SEAT	1310, 1345
1215970	55700751	FIAT	356, 365, 368, 383	1216012	1K0505311H *	SKODA	1378, 1393
1215970	55700751	PEUGEOT	1071	1216012	1K0505311H *	VOLKSWAGEN	1574, 1608, 1612, 1618, 1620, 1650, 1675, 1679, 1682
1215971	4H0407515	AUDI	59, 75, 77, 85, 92	1216012	1K0505311J *	AUDI	90, 100
1215971	4H0407515	PORSCHE	1174	1216012	1K0505311J *	SEAT	1310, 1345
1215971	4H0407515A	AUDI	59, 75, 77, 85, 92	1216012	1K0505311J *	SKODA	1378, 1393
1215971	4H0407515A	PORSCHE	1174	1216012	1K0505311J *	VOLKSWAGEN	1574, 1608, 1612, 1618, 1620, 1650, 1675, 1679, 1682
1215971	4H0407515B	AUDI	59, 75, 77, 85, 92	1216012	1K0505311S *	AUDI	90, 100
1215971	4H0407515B	PORSCHE	1174	1216012	1K0505311S *	SEAT	1310, 1345
1215971	8R0407515	AUDI	59, 75, 77, 85, 92	1216012	1K0505311S *	SKODA	1378, 1393
1215971	8R0407515	PORSCHE	1174	1216012	1K0505311S *	VOLKSWAGEN	1574, 1608, 1612, 1618, 1620, 1650, 1675, 1679, 1682
1215977	54500-BR30A *	NISSAN	981, 1006	1216013	13257785	OPEL	1037
1215977	54500-BR30A *	RENAULT	1202	1216013	13257785	SAAB	1303
1215977	54500-JD000 **	NISSAN	981, 1006	1216013	22792989	OPEL	1037
1215977	54500-JD000 **	RENAULT	1202	1216013	352519	OPEL	1037
1215977	54500-JG000 **	NISSAN	981, 1006	1216013	352868	OPEL	1037
1215977	54500-JG000 **	RENAULT	1202	1216013	352868	SAAB	1303
1215977	54500-JY00A **	NISSAN	981, 1006	1216014	13239222	OPEL	1038
1215977	54500-JY00A **	RENAULT	1202	1216014	13239222	SAAB	1304
1215978	54570-BB00A	NISSAN	940, 981, 1006	1216014	423552	OPEL	1038
1215978	54570-BB00A	RENAULT	1202	1216014	423552	SAAB	1304
1216003	4908109	SAAB	1301	1216010	13219090	CHEVROLET - DAEWOO 221	
1216003	5063391	SAAB	1301				
1216004	5233374	SAAB	1302				
1216005	31126775971 *	BMW	171, 181				
1216005	31126775972 *	BMW	171, 181				
1216006	31126784569	BMW	171-172, 175- 177, 181-182, 193-194				
1216007	31126791455	BMW	171, 181				
1216008	31126775967 *	BMW	172, 177, 182, 194				

RIF. OCAP OCAP REF.	RIF. ORIG. O.E. NUMBER	MARCA MAKE	PAG.	RIF. OCAP OCAP REF.	RIF. ORIG. O.E. NUMBER	MARCA MAKE	PAG.
1216015	13219170	OPEL	1038				1630, 1668, 1670, 1707
1216015	13219170	SAAB	1304				
1216015	423551	OPEL	1038	1216035	8N0407181B	AUDI	31, 39, 97
1216015	423551	SAAB	1304	1216035	8N0407181B	SEAT	1333, 1335, 1341, 1352
1216016	4419217 *	NISSAN	955	1216035	8N0407181B	SKODA	1359, 1363, 1365-1366, 1374, 1384, 1387
1216016	4419217 *	OPEL	1051	1216035	8N0407181B	VOLKSWAGEN	1576, 1602, 1630, 1668, 1670, 1707
1216016	8200688832 *	RENAULT	1211	1216036	31122229624	BMW	148
1216016	93197216 *	NISSAN	955	1216037	31122229623	BMW	148
1216016	93197216 *	OPEL	1051	1216038	31122229857	BMW	148
1216017	4419215 *	NISSAN	955	1216039	33321092248	BMW	144, 147, 149, 202, 217
1216017	4419216 *	NISSAN	955	1216039	33321138383	BMW	144, 147, 149, 202, 217
1216017	4419291	OPEL	1051	1216039	33326770824	BMW	144, 147, 149, 202, 217
1216017	4419291	RENAULT	1211	1216040	33326770817	BMW	149
1216017	54500-00Q1E *	NISSAN	955	1216041	4656012AB	CHRYSLER	236
1216017	54501-00Q1C *	NISSAN	955	1216041	4656012AF	CHRYSLER	236
1216017	54616-00Q0E	OPEL	1051	1216042	04656730AH	CHRYSLER	236
1216017	54616-00Q0E	RENAULT	1211	1216042	04656731AH	CHRYSLER	236
1216017	8200688871 *	NISSAN	955	1216042	4656013	CHRYSLER	236
1216017	8200688875 *	NISSAN	955	1216043	2123303011 *	MERCEDES	795
1216017	93197214 *	NISSAN	955	1216044	2123330014	MERCEDES	794
1216017	93197215*	NISSAN	955	1216045	RBJ500920	LAND ROVER	689
1216017	93197325	OPEL	1051	1216045	RBX000070	LAND ROVER	689
1216017	93197325	RENAULT	1211	1216046	LRO18345	LAND ROVER	689
1216018	3521S9 *	CITROEN	258, 260, 267	1216046	RBX000200	LAND ROVER	689
1216018	3521S9 *	PEUGEOT	1104	1216047	8J0199231 *	AUDI	99
1216019	3520W7 *	CITROEN	258, 260, 267	1216049	2043501506 *	MERCEDES	772, 776, 796, 801
1216019	3520W7 *	PEUGEOT	1104	1216050	2043502206 *	MERCEDES	772, 776, 796, 801, 803
1216020	545006542R *	DACIA	317	1216051	2043502106 *	MERCEDES	772, 776, 796, 801, 803
1216020	545016746R *	DACIA	317	1216052	2043500653 *	MERCEDES	772, 776, 796, 801, 803
1216021	6001549988	DACIA	317-318	1216053	2043500553 *	MERCEDES	772, 776, 796, 801, 803
1216021	6001549989	DACIA	317-318	1216054	2043502706 *	MERCEDES	772, 776, 796, 801
1216021	8200287912	DACIA	317-318	1216060	1105524 *	FORD	445, 448
1216024	4812870 **	CHEVROLET - DAEWOO	220	1216061	1254368	FORD	448, 460
1216024	4812870 **	OPEL	1011	1216061	1304124	FORD	448, 460
1216025	20946159	CHEVROLET - DAEWOO	220	1216061	30666331	VOLVO	1717, 1723
1216025	25995127	CHEVROLET - DAEWOO	220	1216061	30666821	VOLVO	1717, 1723
1216025	4802543	CHEVROLET - DAEWOO	220	1216061	3M515K896AC	FORD	448, 460
1216025	4810831 *	OPEL	1011	1216063	09160391	NISSAN	939
1216025	4817776	CHEVROLET - DAEWOO	220	1216063	09160391	OPEL	1050
1216025	4817869	CHEVROLET - DAEWOO	220	1216063	09160391	RENAULT	1210
1216025	4820932	CHEVROLET - DAEWOO	220	1216063	4500091	NISSAN	939
1216025	4820932	CHEVROLET - DAEWOO	220	1216063	4500091	OPEL	1050
1216025	95248454	CHEVROLET - DAEWOO	220	1216063	4500091	RENAULT	1210
1216025	96809676	CHEVROLET - DAEWOO	220	1216063	5445000QAA	NISSAN	939
1216027	5131C3	CITROEN	273, 275	1216063	5445000QAA	OPEL	1050
1216027	5131C3	PEUGEOT	1136, 1141, 1143	1216063	5445000QAA	RENAULT	1210
1216028	5131C4	CITROEN	273, 275	1216063	7700302115	NISSAN	939
1216028	5131C4	PEUGEOT	1136, 1141, 1143	1216063	7700302115	OPEL	1050
1216029	8J0199231	AUDI	99	1216063	7700302115	RENAULT	1210
1216030	51805862	ALFA ROMEO	25	1216063	9160391	NISSAN	939
1216031	51805863	ALFA ROMEO	25	1216063	9160391	OPEL	1050
1216032	1064128 *	FORD	445, 448	1216063	9160391	RENAULT	1210
1216032	1357319 *	FORD	445, 448	1216063	9160391	NISSAN	939
1216032	1548460 *	FORD	445, 448	1216063	9160391	OPEL	1050
1216033	1457609 *	FORD	454, 471	1216063	9160391	RENAULT	1210
1216034	1426770 *	FORD	454, 471	1216063	9160391	OPEL	1050
1216034	31262930 *	VOLVO	1727	1216063	9160391	RENAULT	1210
1216035	6R0407181B	AUDI	31, 39, 97	1216035	6R0407181B	VOLKSWAGEN	1576, 1602,
1216035	6R0407181B	SEAT	1333, 1335, 1341, 1352				
1216035	6R0407181B	SKODA	1359, 1363, 1365-1366, 1374, 1384, 1387				
1216035	6R0407181B	VOLKSWAGEN	1576, 1602,				

RIF. OCAP OCAP REF.	RIF. ORIG. O.E. NUMBER	MARCA MAKE	PAG.	RIF. OCAP OCAP REF.	RIF. ORIG. O.E. NUMBER	MARCA MAKE	PAG.
1216069	1K0407183M	SKODA	1392	1216135	31106786959	BMW	203
1216069	1K0407183M	VOLKSWAGEN	1573, 1607, 1619	1216135	31126787670 *	BMW	203
1216069	1K0407183P	SKODA	1392	1216135	31126787673 *	BMW	203
1216069	1K0407183P	VOLKSWAGEN	1573, 1607, 1619	1216137	7P0407021 *	PORSCHE	1170
1216069	5C0407183A	SKODA	1392	1216137	7P0407021 *	VOLKSWAGEN	1688
1216069	5C0407183A	VOLKSWAGEN	1573, 1607, 1619	1216141	33326779851 *	BMW	173, 178, 183, 195
1216070	1K0505541C	AUDI	45, 48, 100	1216141	33326782136 *	BMW	173, 178, 183, 195
1216070	1K0505541C	SEAT	1319, 1346, 1349	1216142	33326779851 **	BMW	173, 178, 183, 195
1216070	1K0505541C	SKODA	1370, 1378, 1382, 1393	1216142	33326782136 **	BMW	173, 178, 183, 195
1216070	1K0505541C	VOLKSWAGEN	1574, 1608, 1612, 1615, 1618, 1620, 1653, 1675, 1697	1216143	33326775680	BMW	173, 178, 183, 195
1216070	1K0505541D	AUDI	45, 48, 100	1216143	33326775902 *	BMW	173, 178, 183, 195
1216070	1K0505541D	SEAT	1319, 1346, 1349	1216143	33326779848 *	BMW	173, 178, 183, 195
1216070	1K0505541D	SKODA	1370, 1378, 1382, 1393	1216146	31129803788	MINI	863
1216070	1K0505541D	VOLKSWAGEN	1574, 1608, 1612, 1615, 1618, 1620, 1653, 1675, 1697	1216147	31129803498	MINI	863
1216071	3520V0 *	MITSUBISHI	902	1216147	31129804428	MINI	863
1216071	3520V0 *	PEUGEOT	1153	1216148	31129803497	MINI	863
1216071	3521V0 *	MITSUBISHI	902	1216148	31129804427	MINI	863
1216071	3521V0 *	PEUGEOT	1153	1216149	33326768724 *	MINI	858, 860, 864
1216072	3523CS	CITROEN	265, 285	1216149	33326768726 *	MINI	858, 860, 864
1216072	3523CS	MITSUBISHI	866, 888, 902-903	1216150	1S0501541B	SEAT	1353
1216072	3523CS	PEUGEOT	1153-1154	1216150	1S0501541B	SKODA	1359
1216073	1061670	FORD	445, 448	1216150	1S0501541B	VOLKSWAGEN	1708
1216074	31126775145	BMW	176, 193	1216151	1J0501541D	AUDI	41, 98
1216077	31126855743	BMW	133, 154, 156	1216151	1J0501541D	SEAT	1334, 1342
1216078	31126852991 *	BMW	133, 154, 156	1216151	1J0501541D	SKODA	1363, 1375, 1379, 1387
1216078	31126852992 *	BMW	133, 154, 156	1216151	1J0501541D	VOLKSWAGEN	1577, 1604, 1631, 1668
1216081	33326792551	BMW	134, 155, 157	1216152	9670771480 *	CITROEN	259
1216082	33326792525 *	BMW	134, 155, 157	1216152	9670771480 *	PEUGEOT	1102
1216083	LR017011	LAND ROVER	693	1216153	9670772080 *	CITROEN	259
1216083	RBJ500440	LAND ROVER	693	1216153	9670772080 *	PEUGEOT	1102
1216083	RBX500432	LAND ROVER	693	1216154	54501-1KA0B **	NISSAN	940
1216084	RBX500531	LAND ROVER	693	1216158	96535087	CHEVROLET - DAEWOO	218, 224
1216088	7L0505398 *	AUDI	96	1216159	96653381	CHEVROLET - DAEWOO	218, 224
1216088	7L0505398 *	PORSCHE	1172	1216160	9677040580	CITROEN	286
1216088	7L0505398 *	VOLKSWAGEN	1687, 1689	1216160	9677040580	PEUGEOT	1105
1216089	7L0505397 *	AUDI	96	1216161	9677041080	CITROEN	286
1216089	7L0505397 *	PORSCHE	1172	1216161	9677041080	PEUGEOT	1105
1216089	7L0505397 *	VOLKSWAGEN	1687, 1689	1216162	4782665AE *	CHRYSLER	240
1216090	7L0505323A *	AUDI	96	1216162	4782666AE *	CHRYSLER	240
1216090	7L0505323A *	PORSCHE	1172	1216163	4782607AC *	CHRYSLER	240
1216090	7L0505323A *	VOLKSWAGEN	1687, 1689	1216163	4782612AC *	CHRYSLER	240
1216091	7L0505375A *	AUDI	96	1216164	4782561AE *	CHRYSLER	240
1216091	7L0505375A *	PORSCHE	1172	1216165	4782561AE **	CHRYSLER	240
1216091	7L0505375A *	VOLKSWAGEN	1687, 1689	1216166	423316	OPEL	1062
1216106	1404977	FORD	471	1216166	423316	SAAB	1302
1216106	1S715K818AC	FORD	471	1216166	4566378	OPEL	1062
1216107	1404976	FORD	471	1216166	4566378	SAAB	1302
1216107	1S715K817AC	FORD	471	1216166	90496686	OPEL	1062
1216134	31106786951	BMW	203	1216166	90496686	SAAB	1302
1216134	31106787673 *	BMW	203	1216167	95952783 *	CHEVROLET - DAEWOO	232
1216134	31106787674 *	BMW	203	1216168	95952782 *	CHEVROLET - DAEWOO	232
				1216169	95017035 *	CHEVROLET - DAEWOO	219
				1216170	95017034 *	CHEVROLET - DAEWOO	219
				1216174	96328434	CHEVROLET - DAEWOO	222
				1216175	96388641	CHEVROLET - DAEWOO	222
				1216175	96970075	CHEVROLET - DAEWOO	222
				1216176	96970074	CHEVROLET - DAEWOO	222

RIF. OCAP OCAP REF.	RIF. ORIG. O.E. NUMBER	MARCA MAKE	PAG.	RIF. OCAP OCAP REF.	RIF. ORIG. O.E. NUMBER	MARCA MAKE	PAG.
1216177	54551-1J000	HYUNDAI	551	1216220	1663310142	MERCEDES	807
1216177	54551-1J000	KIA	634	1216221	33171090089	BMW	190
1216178	54584-1J000	HYUNDAI	551, 556	1216221	33171090100	BMW	190
1216178	54584-1J000	KIA	628, 634	1216222	33171090099	BMW	190
1216178	54584-4L000	HYUNDAI	551, 556	1216222	33171090389	BMW	190
1216178	54584-4L000	KIA	628, 634	1216222	33171091685	BMW	190
1216180	48654-60030	TOYOTA	1513	1216223	33176770763	BMW	192
1216181	48655-60030	TOYOTA	1513	1216224	33176770764	BMW	192
1216182	48632-60020	TOYOTA	1513	1216225	2H0407077A	VOLKSWAGEN	1571
1216183	8K0407183D	AUDI	58, 62, 92	1216226	2H0407183A	VOLKSWAGEN	1572
1216183	8K0407183D	PORSCHE	1175	1216227	2H0407182A	VOLKSWAGEN	1572
1216183	8K0407183F	AUDI	58, 62, 92	1216228	2H0412333A	VOLKSWAGEN	1572
1216183	8K0407183F	PORSCHE	1175	1216229	5Q0407183E	AUDI	35, 46-47
1216184	51804551	FIAT	383	1216229	5Q0407183E	SEAT	1312, 1318, 1339, 1347- 1348
1216184	55700695	FIAT	383				
1216186	48068-53010 *	LEXUS	700	1216229	5Q0407183E	SKODA	1369, 1371, 1380-1381, 1394
1216186	48069-53010 *	LEXUS	700				
1216187	48068-30300 *	LEXUS	699	1216229	5Q0407183E	VOLKSWAGEN	1613-1614, 1652, 1672, 1683, 1696
1216187	48069-30290 *	LEXUS	699				
1216188	1683511142	MERCEDES	756	1216231	5Q0505311D *	AUDI	48
1216189	1683510142	MERCEDES	756	1216231	5Q0505311D *	SEAT	1319, 1349
1216190	2043331114	MERCEDES	771, 838	1216231	5Q0505311D *	SKODA	1382
1216191	1357319 **	FORD	448	1216231	5Q0505311D *	VOLKSWAGEN	1615
1216192	1064128 **	FORD	445	1216231	5Q0505311F *	AUDI	48
1216195	54501-1Y100 *	KIA	628	1216231	5Q0505311F *	SEAT	1319, 1349
1216196	55160-1J200	KIA	629	1216231	5Q0505311F *	SKODA	1382
1216197	54551-3X000	HYUNDAI	555-556	1216231	5Q0505311F *	VOLKSWAGEN	1615
1216197	54551-3X000	KIA	620	1216231	1K0505553	AUDI	44, 48, 90, 100
1216198	54584-A6000	HYUNDAI	555	1216231	1K0505553	SEAT	1310, 1319, 1345, 1349
1216198	54584-A6000	KIA	620	1216232	1K0505553	SKODA	1378, 1382, 1393
1216199	XR856012 *	JAGUAR	592, 594, 598	1216232	1K0505553	VOLKSWAGEN	1574, 1608, 1612, 1615, 1618, 1620, 1650, 1675, 1679, 1682
1216199	XR856013 *	JAGUAR	592, 594, 598	1216232	1K0505553A	AUDI	44, 48, 90, 100
1216200	JLM21535	JAGUAR	592	1216232	1K0505553A	SEAT	1310, 1319, 1345, 1349
1216202	C2C13834	JAGUAR	594, 598	1216232	1K0505553A	SKODA	1378, 1382, 1393
1216202	C2C26267	JAGUAR	594, 598	1216232	1K0505553A	VOLKSWAGEN	1574, 1608, 1612, 1615, 1618, 1620, 1650, 1675, 1679, 1682
1216202	C2C26851	JAGUAR	594, 598	1216232	1K0505553A	AUDI	44, 48, 90, 100
1216202	C2C36029	JAGUAR	594, 598	1216232	1K0505553A	SEAT	1310, 1319, 1345, 1349
1216202	C2C4471	JAGUAR	594, 598	1216232	1K0505553A	SKODA	1378, 1382, 1393
1216203	54500-1AT0B *	NISSAN	952	1216232	1K0505553A	VOLKSWAGEN	1574, 1608, 1612, 1615, 1618, 1620, 1650, 1675, 1679, 1682
1216204	54501-1AT0B *	NISSAN	952	1216232	1K0505553A	AUDI	44, 48, 90, 100
1216205	3520X7 *	PEUGEOT	1135	1216232	1K0505553A	SEAT	1310, 1319, 1345, 1349
1216205	3521T8 *	PEUGEOT	1135	1216232	1K0505553A	SKODA	1378, 1382, 1393
1216206	3520X6 *	CITROEN	272	1216232	1K0505553A	VOLKSWAGEN	1574, 1608, 1612, 1615, 1618, 1620, 1650, 1675, 1679, 1682
1216206	3521T7 *	CITROEN	272	1216232	1K0505553A	AUDI	48
1216207	3520Y0 *	PEUGEOT	1140	1216232	5Q0501529C *	SEAT	1320, 1349
1216207	3521V1 *	PEUGEOT	1140	1216232	5Q0501529C *	SKODA	1370, 1382
1216208	2463330114	MERCEDES	759, 777	1216232	5Q0501529C *	VOLKSWAGEN	1615, 1653, 1684, 1697
1216209	2463330200	MERCEDES	759, 777	1216234	5Q0501529C **	AUDI	48
1216209	2463330214	MERCEDES	759, 777	1216234	5Q0501529C **	SEAT	1320, 1349
1216210	2463330014	MERCEDES	759, 777	1216234	5Q0501529C **	SKODA	1370, 1382
1216210	2463330100	MERCEDES	759, 777	1216234	5Q0501529C **	VOLKSWAGEN	1615, 1653, 1684, 1697
1216211	2463520265	MERCEDES	760, 778	1216235	8D0501541A	AUDI	51
1216212	2463520165	MERCEDES	760, 778	1216237	51939751 **	FIAT	417
1216213	5273731AB	CHRYSLER	239	1216237	51939751 **	JEEP	610
1216214	4766910AG **	CHRYSLER	239	1216237	51939755 **	FIAT	417
1216214	4766911AG **	CHRYSLER	239	1216237	51939755 **	JEEP	610
1216216	B32H-34-350E *	MAZDA	712	1216238	5131.H4	CITROEN	258, 260-261, 286
1216216	BP4K-34-300E *	MAZDA	712				
1216217	BBM2-34-300 *	MAZDA	712				
1216217	BBM2-34-350 *	MAZDA	712				
1216218	8200742906	RENAULT	1188, 1256	1218,			
1216219	1643310442	MERCEDES	807				
1216219	1663310042	MERCEDES	807				
1216220	1643310542	MERCEDES	807				

RIF. OCAP OCAP REF.	RIF. ORIG. O.E. NUMBER	MARCA MAKE	PAG.	RIF. OCAP OCAP REF.	RIF. ORIG. O.E. NUMBER	MARCA MAKE	PAG.
1216238	5131.H4	PEUGEOT	1103, 1105	1216262	51396-SWA-E01	HONDA	522
1216238	5131H4	CITROEN	258, 260-261, 286	1216262	51396-SWA-E02	HONDA	522
1216238	5131H4	PEUGEOT	1103, 1105	1216263	51350-T1G-E01 *	HONDA	523
1216238	9680667580	CITROEN	258, 260-261, 286	1216263	51360-T1G-E01 *	HONDA	523
1216238	9680667580	PEUGEOT	1103, 1105	1216264	51395-T0A-E01	HONDA	523
1216239	352523 *	CHEVROLET - DAEWOO	235	1216265	51396-T0A-E01	HONDA	523
1216239	352523 *	OPEL	1047-1048	1216266	LR045802 *	LAND ROVER	692
1216240	352551 *	CHEVROLET - DAEWOO	235	1216266	LR045803 *	LAND ROVER	692
1216240	352551 *	OPEL	1047-1048	1216267	LR024472 *	LAND ROVER	692
1216241	K05168160AB	FIAT	366	1216267	LR024473 *	LAND ROVER	692
1216242	K04766423AD *	FIAT	366	1216268	97034124301	PORSCHE	1176-1177
1216242	K04766424AD *	FIAT	366	1216269	97034124101	PORSCHE	1176
1216243	48069-B4011 *	DAIHATSU	337	1216269	97034125101	PORSCHE	1176
1216244	48068-B4010 *	DAIHATSU	337	1216270	97034124501	PORSCHE	1176
1216245	1763701 *	FORD	498-499	1216270	97034124502	PORSCHE	1176
1216245	1763702 *	FORD	498-499	1216271	97033124200	PORSCHE	1177
1216245	1877332 *	FORD	498-499	1216274	48654-B2010	DAIHATSU	335
1216245	1877334 *	FORD	498-499	1216274	48654-B2010	SUBARU	1417
1216245	BK213059A	FORD	498-499	1216275	48655-B1010	DAIHATSU	335
1216246	BK213A262AC	FORD	498-499	1216275	48655-B1010	SUBARU	1417
1216247	AY113063AA	FORD	442, 487	1216276	4H0407182B	AUDI	84
1216247	EY163063AA	FORD	442, 487	1216277	1663330200	MERCEDES	809
1216248	3637432	OPEL	1036	1216277	1663330414	MERCEDES	809
1216248	9676032180	CITROEN	269-270	1216278	1663330100	MERCEDES	809
1216248	9676032180	OPEL	1036	1216278	1663330214	MERCEDES	809
1216248	9676032180	PEUGEOT	1123-1124, 1152	1216279	1663300243	MERCEDES	809
1216249	3644790	OPEL	1036	1216280	1663300143	MERCEDES	809
1216249	9676035280	CITROEN	269-270	1216281	1663300143 *	MERCEDES	809
1216249	9676035280	OPEL	1036	1216281	1663300243 *	MERCEDES	809
1216249	9676035280	PEUGEOT	1123-1124, 1152	1216282	97034124121	PORSCHE	1177
1216249	9807892380	CITROEN	269-270	1216283	97034124521	PORSCHE	1177
1216249	9807892380	OPEL	1036	1216285	54500-4EA0B *	NISSAN	983
1216249	9807892380	PEUGEOT	1123-1124, 1152	1216285	54500-4EA0B *	RENAULT	1196
1216249	9816380380	OPEL	1036	1216286	54501-4EA0B *	NISSAN	983
1216249	9816380380	PEUGEOT	1152	1216286	54501-4EA0B *	RENAULT	1196
1216250	9803481180	CITROEN	270	1216287	55120-JD00B *	NISSAN	982, 984, 1007
1216250	9803481180	PEUGEOT	1124	1216287	55120-JD00B *	RENAULT	1197
1216252	51983600	FIAT	397	1216287	55121-JD00B *	NISSAN	982, 984, 1007
1216253	31126850607	BMW	172, 177, 182, 194	1216287	55121-JD00B *	RENAULT	1197
1216254	4533303000 **	RENAULT	1273	1216288	55110-JD000 *	NISSAN	982, 984, 1007
1216254	4533303000 **	SMART	1401, 1403	1216288	55110-JD000 *	RENAULT	1197
1216254	545058628R **	RENAULT	1273	1216288	55111-JD00A *	NISSAN	982, 984, 1007
1216254	545058628R **	SMART	1401, 1403	1216288	55111-JD00A *	RENAULT	1197
1216255	4533302900 **	RENAULT	1273	1216309	6393301501 *	MERCEDES	848
1216255	4533302900 **	SMART	1401, 1403	1216310	6393301401 *	MERCEDES	848
1216255	545057345R **	RENAULT	1273	1216311	6393331114	MERCEDES	848-850
1216255	545057345R **	SMART	1401, 1403	1216316	97034105122 *	PORSCHE	1176
1216256	2053305501 *	MERCEDES	774, 800	1216316	97034105123 *	PORSCHE	1176
1216256	2053305601 *	MERCEDES	774, 800	1216317	1663301807 *	MERCEDES	809
1216256	2053330314	MERCEDES	774, 800	1216320	48654-02040	TOYOTA	1457, 1460, 1474, 1484, 1526-1527, 1535
1216257	2053301505 *	MERCEDES	774	1216321	48655-02060	TOYOTA	1457, 1460, 1484, 1527, 1535
1216257	2053301605 *	MERCEDES	774	1216322	39001027	OPEL	1024
1216258	2053306201 **	MERCEDES	775	1216323	39021474	OPEL	1024
1216258	2313330314	MERCEDES	775	1216324	13311920	OPEL	1023-1024, 1070
1216259	2053306101 **	MERCEDES	775	1216324	13340837	OPEL	1023-1024, 1070
1216259	2053330214	MERCEDES	775	1216324	402027	OPEL	1023-1024, 1070
1216260	51350-SWA-E01 * HONDA		522	1216324	402052	OPEL	1023-1024, 1070
1216260	51360-SWA-E01 * HONDA		522				
1216261	51395-SWA-E01 HONDA		522				
1216261	51395-SWA-E02 HONDA		522				

RIF. OCAP OCAP REF.	RIF. ORIG. O.E. NUMBER	MARCA MAKE	PAG.	RIF. OCAP OCAP REF.	RIF. ORIG. O.E. NUMBER	MARCA MAKE	PAG.
1216325	13313230	CHEVROLET - DAEWOO	221	1216379	2Q0407152B **	SEAT	1311, 1338
1216325	13313230	OPEL	1023-1024	1216379	2Q0407152B **	VOLKSWAGEN	1671
1216325	13354691	CHEVROLET - DAEWOO	221	1216380	LR034211 *	LAND ROVER	690
1216325	13354691	OPEL	1023-1024	1216381	LR078476 *	LAND ROVER	690, 695
1216325	402041	CHEVROLET - DAEWOO	221	1216382	LR078478 *	LAND ROVER	690
1216325	402041	OPEL	1023-1024	1216383	LR072471 *	LAND ROVER	690, 695
1216325	402071	CHEVROLET - DAEWOO	221	1216384	LR048090 *	LAND ROVER	691, 696
1216325	402071	OPEL	1023-1024	1216385	LR037690 *	LAND ROVER	691, 696
1216326	545605275R	RENAULT	1194, 1220-1221, 1258	1216386	LR044841 *	LAND ROVER	695
1216327	545608475R	RENAULT	1220	1216387	LR045243 *	LAND ROVER	695
1216328	545609807R	RENAULT	1194, 1220-1221, 1258	1216388	54551-A0000	HYUNDAI	543
1216336	31126850397 *	BMW	135, 199	1216389	54584-A0000	HYUNDAI	543
1216336	31126850397 *	MINI	861, 865	1216390	5131.93	PEUGEOT	1099
1216336	31126850398 *	BMW	135, 199	1216390	5131.A9	PEUGEOT	1099
1216336	31126850398 *	MINI	861, 865	1216390	5131.F8	PEUGEOT	1099
1216336	31126871302 *	BMW	135, 199	1216390	513193	PEUGEOT	1099
1216336	31126871302 *	MINI	861, 865	1216390	5131A9	PEUGEOT	1099
1216340	3Q0505311E *	SEAT	1319	1216390	5131F8	PEUGEOT	1099
1216340	3Q0505311E *	SKODA	1372, 1395	1216391	5131.94	PEUGEOT	1099
1216340	3Q0505311E *	VOLKSWAGEN	1653, 1684	1216391	513194	PEUGEOT	1099
1216348	2213331914	MERCEDES	825	1216392	5131E9	PEUGEOT	1101
1216356	31106864374	BMW	174	1216392	5131F0	PEUGEOT	1101
1216357	31126861187	BMW	174	1216392	5131F9	PEUGEOT	1101
1216358	31126861156	BMW	175	1216392	9680302580	PEUGEOT	1101
1216359	31126850404	BMW	135, 199	1216392	9680368180	PEUGEOT	1101
1216359	31126850404	MINI	861	1216392	9681897280	PEUGEOT	1101
1216359	31126874342	BMW	135, 199	1216393	5131A4	CITROEN	263
1216359	31126874342	MINI	861	1216393	5131A4	PEUGEOT	1120
1216359	31126882844	BMW	135, 199	1216394	5131G4	CITROEN	264
1216359	31126882844	MINI	861	1216394	5131G4	PEUGEOT	1122
1216360	31126850403	BMW	135, 199	1216395	1751679	FORD	425
1216360	31126850403	MINI	861	1216396	5131G5	PEUGEOT	1122
1216360	31126874341	BMW	135, 199	1216396	5131H7	PEUGEOT	1122
1216360	31126874341	MINI	861	1216396	9688101980	PEUGEOT	1122
1216360	31126882843	BMW	135, 199	1216397	1877652*	FORD	455
1216360	31126882843	MINI	861	1216398	1877653*	FORD	455
1216362	2112616 **	FORD	443	1216399	1877652**	FORD	455
1216363	2112614 **	FORD	443	1216399	1877653**	FORD	455
1216364	1469125 *	FORD	454, 471	1216400	2180767 *	FORD	472
1216365	1377447 *	FORD	454, 471	1216401	2180769 *	FORD	472
1216366	8200427869	RENAULT	1205	1216402	5232480 **	FORD	472
1216366	8200597259	RENAULT	1205	1216403	1793902 *	FORD	424
1216366	8200714956	RENAULT	1205	1216404	1793903 *	FORD	424
1216367	8200427868	RENAULT	1205	1216405	1243524165	MERCEDES	785
1216367	8200597258	RENAULT	1205	1216405	1243527765	MERCEDES	785
1216367	8200714955	RENAULT	1205	1216407	50533327 *	ALFA ROMEO	23
1216368	46741920	FIAT	382, 415	1216408	50547026 *	ALFA ROMEO	23, 29
1216368	46741921	FIAT	382, 415	1216409	50541776 *	ALFA ROMEO	23, 29
1216368	46761279	FIAT	382, 415	1216410	50541778 *	ALFA ROMEO	23, 29
1216368	46761280	FIAT	382, 415	1216411	50539880 *	ALFA ROMEO	29
1216369	4473301407 *	MERCEDES	849	1216413	48068-42050 *	TOYOTA	1526
1216369	4473301507 *	MERCEDES	849	1216414	6769035	FORD	469
1216369	4473330514	MERCEDES	849	1216414	6769035	JAGUAR	597
1216370	54551-C1000	HYUNDAI	553	1216414	6829046	FORD	469
1216371	54584-C8000	HYUNDAI	553	1216414	6829046	JAGUAR	597
1216372	8W0407515	AUDI	61	1216415	2463330614	MERCEDES	759, 777
1216373	8W0505324F *	AUDI	62	1216416	2463330514	MERCEDES	759, 777
1216374	8W0505323F *	AUDI	62	1216418	2247271	FORD	486
1216375	8W0505323F **	AUDI	62	1216419	2246227	FORD	486
1216376	8W0501530D *	AUDI	63	1216420	2N0407183A	MAN	705
1216377	8W0501529D *	AUDI	63	1216420	2N0407183A	VOLKSWAGEN	1585
1216378	4473303400 *	MERCEDES	850	1216420	2N0407183B	MAN	705
1216379	2Q0407152B **	AUDI	34	1216420	2N0407183B	VOLKSWAGEN	1585
				1216420	65433160005	MAN	705
				1216420	65433160005	VOLKSWAGEN	1585

RIF. OCAP OCAP REF.	RIF. ORIG. O.E. NUMBER	MARCA MAKE	PAG.	RIF. OCAP OCAP REF.	RIF. ORIG. O.E. NUMBER	MARCA MAKE	PAG.
1216420	65433160009	MAN	705	1249203	6N0407175A	SKODA	1362, 1386
1216420	65433160009	VOLKSWAGEN	1585	1249203	6N0407175A	VOLKSWAGEN	1588, 1627, 1661-1662, 1666
1216424	1865033	FORD	456, 471	1249255	509743	PEUGEOT	1099
1216424	1865033	VOLVO	1727	1249257	350378	OPEL	1017
1216424	2040702	FORD	456, 471	1249258	350376	OPEL	1026
1216424	2040702	VOLVO	1727	1249265	4233064	AUTOBIANCHI	126
1216424	31406337	FORD	456, 471	1249265	4233064	FIAT	406, 408
1216424	31406337	VOLVO	1727	1249265	4233064	SEAT	1323
1216425	1865034	FORD	456, 471	1249276	96054485	CITROEN	243
1216425	1865034	VOLVO	1727	1249278	4402675	FIAT	376
1216425	2040703	FORD	456, 471	1249279	4402674	FIAT	376
1216425	2040703	VOLVO	1727	1249284	6N0411337	VOLKSWAGEN	1628
1216425	31406350	FORD	456, 471	1249514	31121139790	BMW	143
1216425	31406350	VOLVO	1727	1249515	31121139789	BMW	143
1216426	2043510842	MERCEDES	773, 797, 803	1249548	31126772235	MINI	859
1216426	A204 510842	MERCEDES	773, 797, 803	1249549	31126772236	MINI	859
1216426	A2043510342	MERCEDES	773, 797, 803	1249594	4B0501522D	AUDI	68, 71, 73
1216427	1535296	FORD	442	1249594	4B0501522D	VOLKSWAGEN	1643, 1646
1216427	1805815	FORD	442	1249594	4B0501522E	AUDI	68, 71, 73
1216428	13110418	OPEL	1021	1249594	4B0501522E	VOLKSWAGEN	1643, 1646
1216428	13267215	OPEL	1021	1249595	4B0501521D	AUDI	68, 71, 73
1216428	402952	OPEL	1021	1249595	4B0501521D	VOLKSWAGEN	1643, 1646
1216428	5402637	OPEL	1021	1249595	4B0501521E	AUDI	68, 71, 73
1216430	31126777653	BMW	172, 182	1249595	4B0501521E	VOLKSWAGEN	1643, 1646
1216431	31126851693	BMW	210	1249596	46777764	FIAT	355
1216432	7L0505311B *	AUDI	96	1249596	51744226	FIAT	355
1216432	7L0505311B *	PORSCHE	1173	1249650	6Q0199294D	SEAT	1332
1216432	7L0505311B *	VOLKSWAGEN	1687	1249650	6Q0199294D	VOLKSWAGEN	1588, 1667
1216433	50540594 *	ALFA ROMEO	30	1249651	6Q0199293D	SEAT	1332
1216434	50543275 *	ALFA ROMEO	30	1249651	6Q0199293D	VOLKSWAGEN	1588, 1667
1216436	1479759080	CITROEN	292				
1216436	1479759080	FIAT	387-388, 398				
1216436	1479759080	LANCIA	674				
1216436	1479759080	PEUGEOT	1150				
1216436	515261	CITROEN	292				
1216436	515261	FIAT	387-388, 398				
1216436	515261	LANCIA	674				
1216436	515261	PEUGEOT	1150				
1230105	7700687433	RENAULT	1182, 1229, 1249, 1251, 1261				
1230107	7701348067	RENAULT	1222, 1224, 1226-1227, 1231, 1235, 1246				
1249079	191407175	SEAT	1328, 1330				
1249079	191407175	VOLKSWAGEN	1579, 1595, 1598, 1637, 1640, 1663				
1249121	1H0407175A	AUDI	40				
1249121	1H0407175A	SEAT	1341, 1356				
1249121	1H0407175A	SKODA	1374				
1249121	1H0407175A	VOLKSWAGEN	1575, 1600, 1602, 1629				
1249121	1J0407175	AUDI	40				
1249121	1J0407175	SEAT	1341, 1356				
1249121	1J0407175	SKODA	1374				
1249121	1J0407175	VOLKSWAGEN	1575, 1600, 1602, 1629				
1249203	6N0407175	SEAT	1313, 1316, 1332				
1249203	6N0407175	SKODA	1362, 1386				
1249203	6N0407175	VOLKSWAGEN	1588, 1627, 1662				
1249203	6N0407175A	SEAT	1313, 1316, 1332				

